



Husqvarna®



130C, 130L

EN	Operator's manual
ES-MX	Manual del usuario
FR-CA	Manuel d'utilisation

2-24
25-48
49-72

Contents

Introduction.....	2	Troubleshooting.....	22
Safety.....	4	Transportation and storage.....	22
Assembly.....	9	Technical data.....	23
Operation.....	10	Accessories.....	23
Maintenance.....	18		

Introduction

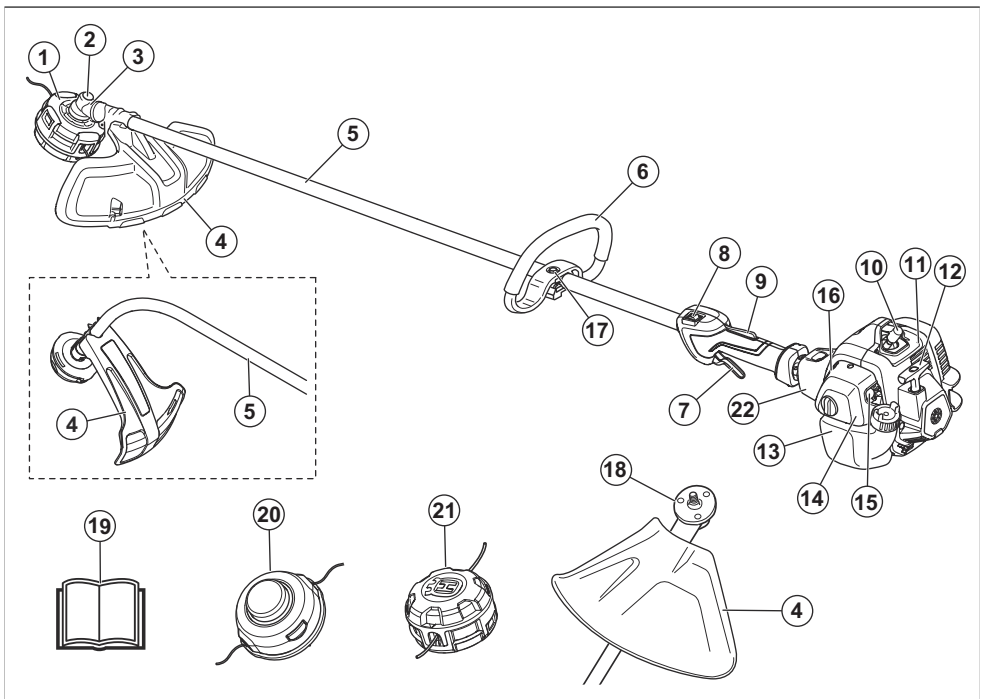
Product description

The product is a grass trimmer with a combustion engine.

Intended use

The product is used with a trimmer head to cut grass. Do not use the product for other tasks than grass trimming and grass clearing.

Product overview



- 1. Trimmer head
- 2. Grease filler cap
- 3. Bevel gear
- 4. Cutting attachment guard

- 5. Shaft
- 6. Loop Handle
- 7. Throttle trigger
- 8. Stop switch

Note: National regulations can set limit to the operation of the product.

Only use the product with accessories that are approved by the manufacturer. Refer to *Accessories on page 23*.

9. Throttle trigger lockout
10. Spark plug cap and spark plug
11. Cylinder cover
12. Starter rope handle
13. Fuel tank
14. Air filter cover
15. Air purge bulb
16. Choke control
17. Handle adjustment
18. Drive disc
19. Operator's manual
20. Trimmer head 130L
21. Trimmer head 130C
22. Vibration damping system



Only use flexible cutting wire. Do not use metal cutting equipment for grass trimming.



The arrows show the limit for the handle position.



Air purge bulb.



Choke.



Fuel.

yyyywwxxxx

The rating plate shows the serial number. **yyyy** is the production year, **ww** is the production week.

Symbols on the product



WARNING! Be careful and use the product correctly. This product can cause serious injury or death to the operator or others.



Read the operator's manual carefully and make sure that you understand the instructions before you use this product.



Use approved hearing protection. Use approved eye protection.



Use approved protective gloves.



Use heavy-duty slip-resistant boots.



Make sure that long hair is put above your shoulders.



The product can cause objects to eject, which can cause injury.



Maximum speed of the output shaft.



Keep a minimum of 15 m distance to persons and animals during operation of the product.

Note: Other symbols/decals on the product refer to certification requirements for some markets.

EPA III

EMISSION CONTROL INFORMATION	
THIS ENGINE MEETS EXH AND EVP EMISSIONS REGULATIONS FOR [] SMALL OFF ROAD ENGINES	
FAMILY/DISP []	[]
PLT # []	SKU # []
EMISSION COMPLIANCE PERIOD []	
[]	
SN# []	
REFER TO OWNER'S MANUAL FOR MAINTENANCE SPECIFICATIONS AND ADJUSTMENTS.	

The Emissions Compliance Period referred to on the Emission Compliance label indicates the number of operating hours for which the engine has been shown to meet Federal emissions requirements. Maintenance, replacement or repair of the emission control devices and system may be performed by any nonroad engine repair establishment or individual.

EMISSION CONTROL LABEL ABBREVIATIONS

General:

EXH/EVP	Exhaust and Evaporative	REGS	Regulations	DISPL	Displacement
EVAP	Evaporative	SORE	Small off road engines	ECS	Emission control system
HRS	Hours	US EPA	United States Environmental Protection Agency		

Exhaust emission control system:

ECM	Engine control module (Auto-tune)	OC	Oxidizing Catalyst
EM	Engine modification	TWC	Three way catalyst

Evaporative emission control systems:

C	Coextruded (Multilayer)	P	Treated HDPE or PE
N	Nylon	S	Sealed

Product damage

We are not responsible for damages to our product if:

- the product is incorrectly repaired.
- the product is repaired with parts that are not from the manufacturer or not approved by the manufacturer.
- the product has an accessory that is not from the manufacturer or not approved by the manufacturer.
- the product is not repaired at an approved service center or by an approved authority.

Safety

Safety definitions

Warnings, cautions and notes are used to point out specially important parts of the manual.



WARNING: Used if there is a risk of injury or death for the operator or bystanders if the instructions in the manual are not obeyed.



CAUTION: Used if there is a risk of damage to the product, other materials or the adjacent area if the instructions in the manual are not obeyed.

Note: Used to give more information that is necessary in a given situation.

General safety instructions



WARNING: Read the warning instructions that follow before you use the product.

- A clearing saw, brushcutter or trimmer can be dangerous if used carelessly or incorrectly and can cause serious injury or death to the operator or others. It is extremely important that you read and understand the contents of this operator's manual.
- Under no circumstances may the design of the product be modified without the permission of the manufacturer. Never use a product that has been modified in any way from its original specification and always use original accessories. Non-authorized modifications and/or accessories can result in serious personal injury or the death of the operator or others.
- The inside of the muffler contain chemicals that may be carcinogenic. Avoid contact with these elements in the event of a damaged muffler.
- This product produces an electromagnetic field during operation. This field may under some circumstances interfere with active or passive medical implants. To reduce the risk of serious or fatal injury, we recommend persons with medical implants to consult their physician and the medical implant manufacturer before operating this product.

Vibration safety

This product is for occasional operation only. Continuous or regular operation of the product can cause "white finger" or equivalent medical problems from vibrations. Examine the condition of your hands and fingers if you operate the product continuously or regularly. If your hands or fingers have discoloration, have pain, tingle, or are numb, stop work and speak to a physician immediately.

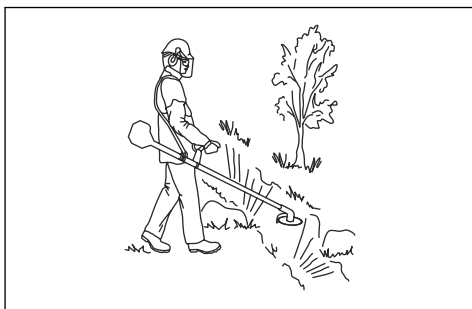
Safety instructions for operation



WARNING: Read the warning instructions that follow before you use the product.

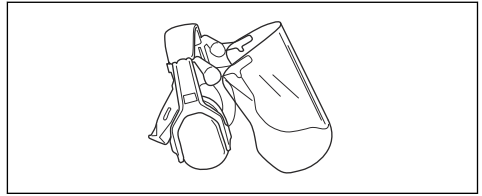
- You must understand the difference between grass clearing and grass trimming before use.
- If you encounter a situation where you are uncertain how to proceed you should ask an expert. Contact your dealer or your service workshop. Avoid all usage which you consider to be beyond your capability.
- Never use a product that is faulty. Carry out the safety checks, maintenance and service instructions described in this manual. Some maintenance and service measures must be carried out by trained and qualified specialists. Refer to *Maintenance on page 18*.
- All covers, guards and handles must be fitted before you start the product. Ensure that the spark plug cap and ignition lead are undamaged to avoid the risk of electric shock.
- Never use the product if you are fatigued, while under the influence of alcohol or drugs, medication or anything that could affect your vision, alertness, coordination or judgement.
- Do not use the product in bad weather such as dense fog, heavy rain, strong wind, intense cold, etcetera. Working in bad weather is tiring and often brings added risks, such as icy ground, unpredictable felling direction, etcetera.
- The only accessories you can operate with this engine unit are the cutting attachments that we recommend. Refer to *Accessories on page 23*.
- Never allow children to use or be in the vicinity of the product. As the product is equipped with a spring-loaded start/stop switch and can be started by low speed and force on the starter handle, even small children under some circumstances can produce the force necessary to start the product. This can mean a risk of serious personal injury. Therefore remove the spark plug cap when the product is not under close supervision.
- Running an engine in a confined or badly ventilated area can result in death due to asphyxiation or carbon monoxide poisoning.

- The complete clutch cover and shaft must be fitted before the product is started, otherwise the clutch can come loose and cause personal injury.
- Ensure that no people or animals come closer than 15 m while you work. When several operators are working in the same area the safety distance should be at least 15 m. Otherwise there is a risk of serious personal injury. Stop the product immediately if anyone approaches. Never swing the product around without first checking behind you to make sure that no one is within the safety zone.
- Ensure that people, animals or other things can not affect your control of the product or that they do not come in contact with the cutting attachment or loose objects that are thrown out by the cutting attachment. However, do not use the product unless you are able to call for help in the event of an accident.
- Always inspect the working area. Remove all loose objects such as stones, broken glass, nails, steel wire, string, etcetera, that could be thrown out or become wrapped around the cutting attachment.
- Make sure that you can move and stand safely. Check the area around you for possible obstacles (roots, rocks, branches, ditches, etcetera) in case you have to move suddenly. Take great care when you work on sloping ground.

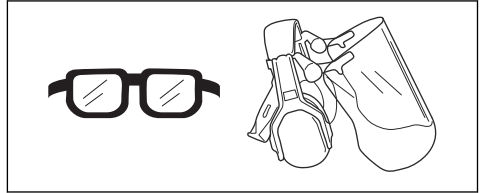


- Keep a good balance and a firm foothold at all times. Do not overreach.
- Always hold the product with both hands. Hold the product on the right side of your body.
- Keep the cutting attachment below waist level.
- Switch off the engine before you move to another area. Fit the transportation guard before you carry or transport the equipment any distance.
- Never put the product down with the engine running unless you have it in clear sight.
- Stop the engine and cutting equipment before you remove material that has wound around the blade shaft. Neither the operator of the product nor anyone else may attempt to remove the cut material while the engine is running or the cutting equipment is rotating, as this can result in serious injury. The bevel gear can get hot during use and may remain so for a while afterwards. You could get burnt if you touch it.

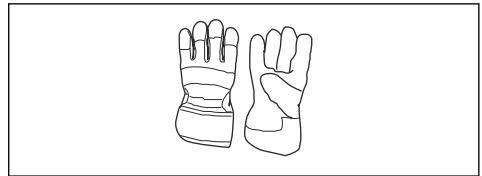
- Watch out for thrown objects. Always wear approved eye protection. Never lean over the cutting attachment guard. Stones, rubbish, etcetera, can be thrown up into the eyes which can cause blindness or serious injury.
- Sometimes branches or grass get caught between the guard and cutting attachment. Always stop the engine before you clean the product.
- Always slow the engine to idle speed after each working operation. Long periods at full throttle without any load on the engine can lead to serious engine damage.
- Listen out for warning signals or shouts when you wear hearing protection. Always remove your hearing protection as soon as the engine stops.
- Overexposure to vibration can lead to circulatory damage or nerve damage in people who have impaired circulation. Contact your doctor if you experience symptoms of overexposure to vibration. These symptoms include numbness, loss of feeling, tingling, pricking, pain, loss of strength, changes in skin color or condition. These symptoms normally appear in the fingers, hands or wrists.
- Do not use a product with a damaged spark plug cap.
- Do not use a product with a damaged muffler.
- Keep all parts of your body away from the rotating cutting attachment and hot surfaces.
- Never use a product with a faulty muffler
- Never start or use the product indoors, near combustible material or in spaces that lacks proper ventilation. The exhaust fumes from the engine contain carbon monoxide, an odorless, poisonous and highly dangerous gas. Also, the exhaust fumes are hot and may contain sparks that can start a fire.



- Use approved eye protection. If you use a visor, you must also use approved protective goggles. Approved protective goggles must comply with the ANSI Z87.1 standard in the USAs or EN 166 in EU countries.



- Use gloves when necessary, for example when you attach, examine or clean the cutting equipment.



- Use protective boots with steel toes and non-slip soles.



- Use clothing made of a strong fabric. Always use heavy, long pants and long sleeves. Do not use loose clothing that can catch on twigs and branches. Do not wear jewelry, short pants, sandals or go with bare feet. Put your hair up safely above shoulder level.
- Keep first aid equipment close at hand.

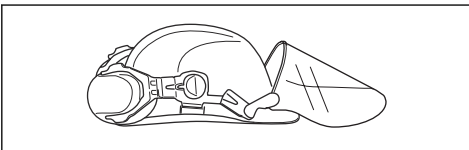


Personal protective equipment



WARNING: Read the warning instructions that follow before you use the product.

- Always use approved personal protective equipment when you use the product. Personal protective equipment cannot fully prevent injury but it decreases the degree of injury if an accident does occur. Let your dealer help you select the right equipment.
- Use a protective helmet where there is a risk of falling objects.



- Use approved hearing protection that provides adequate noise reduction. Long-term exposure to noise can result in permanent hearing impairment.

Safety devices on the product



WARNING: Read the warning instructions that follow before you use the product.

In this section the product's safety features, its purpose and how checks and maintenance should be carried out to ensure that it operates correctly. See instructions under the heading *Introduction on page 2* to find where these parts are located on your product.

The life span of the product can be reduced and the risk of accidents can increase if product maintenance is not carried out correctly and if service and/or repairs are not carried out professionally. If you need further information please contact your nearest servicing dealer.



WARNING: Never use a product with damaged safety components. The product's safety equipment must be inspected and maintained as described in this section. If your product fails any of these checks, contact your service agent to get it repaired.

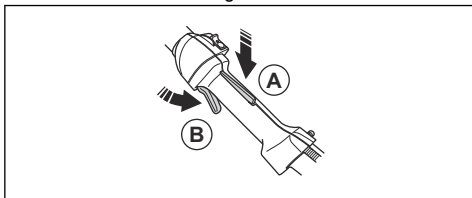


CAUTION: All servicing and repair work on the machine requires special training. This is especially true of the machine's safety equipment. If your machine fails any of the checks described below you must contact your service agent. When you buy any of our products we guarantee the availability of professional repairs and service. If the retailer who sells your machine is not a servicing dealer, ask him for the address of your nearest service agent.

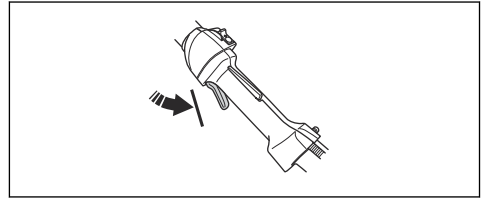
To do a check of the throttle trigger lockout

The throttle lockout is designed to prevent accidental operation of the throttle control.

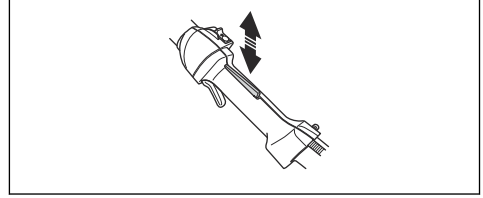
1. Press the throttle trigger lockout (A) and make sure that the throttle control is released (B). When you release the handle the throttle control and the throttle trigger lockout both move back to their initial positions. This movement is controlled by two independent return springs. This arrangement means that the throttle control is automatically locked at the idle setting.



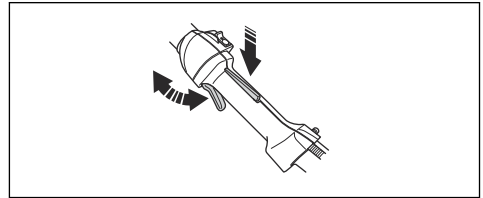
2. Make sure that the throttle control is locked at the idle setting when the throttle trigger lockout is released.



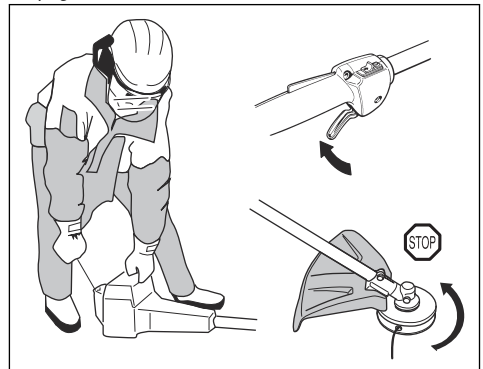
3. Press the throttle trigger lockout and make sure that it returns to its initial position when you release it.



4. Do a check of the throttle control and throttle trigger lockout move freely and that the return springs work properly.

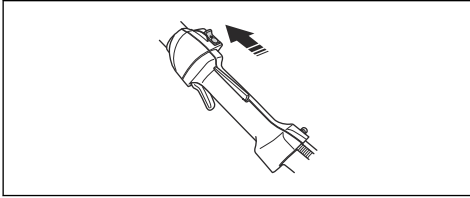


5. Start the product (refer to the instructions under *To start a cold engine on page 12*) and apply full throttle.
6. Release the throttle and make sure that the cutting attachment stops and remains at a standstill. If the cutting attachment rotates with the throttle in the idle position the carburettor idle setting must be checked. See instructions under the chapter *Maintenance on page 18*.



To do a check of the stop switch

1. Start the engine.
2. Move the stop switch to the stop position and make sure that the engine stops.



To do a check of the cutting attachment guard

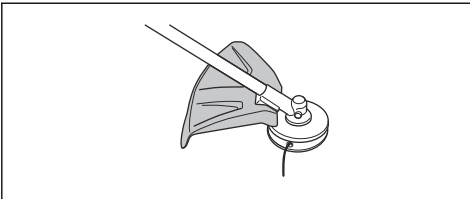


WARNING: Do not use a cutting attachment without an approved and correctly attached cutting attachment guard. Refer to, *Accessories on page 23*.



WARNING: Always use the recommended cutting attachment guard for the cutting attachment that you use. If an incorrect or faulty cutting attachment guard is fitted this can cause serious personal injury. Refer to, *Technical data on page 23*.

The cutting attachment guard prevents injuries from objects that eject in the direction of the operator. It also prevents injuries that occur if you touch the cutting attachment.



1. Do a visual check for damages, for example cracks.
2. Replace the cutting attachment guard if it is damaged.

To do a check of the vibration damping system



WARNING: Use of incorrectly wound cord or an incorrect cutting attachment increases the level of vibration.

The vibration damping system decreases vibration between the engine unit and the shaft unit, which makes the operation easier. Refer to *Product overview on page 2* to see where the vibration damping units are on your product.

1. Stop the engine.

2. Do a visual check for deformation and damage, for example cracks.
3. Make sure that the vibration damping units are attached correctly.

Cutting attachment



WARNING: Read the warning instructions that follow before you use the product.

- Do the regular maintenance. Let an approved service center regularly examine the cutting attachment to do adjustments or repairs.
 - The performance of the cutting attachment increases.
 - The life of the cutting attachment increases.
 - The risk of accidents decreases.
- Only use an approved cutting attachment guard. Refer to *Accessories on page 23*.
- Do not use a damaged cutting attachment.

Grass trimmer head

- Make sure that you wind the grass trimmer line tightly and equally around the drum to decrease the vibration.
- Use only the approved grass trimmer heads and grass trimmer lines. Refer to *To trim the grass on page 14*.
- Use a correct length of the grass trimmer line. A long grass trimmer line uses more engine power than a short grass trimmer line.
- Make sure that the cutter on the cutting attachment guard is not damaged.
- Soak the grass trimmer line in water for 2 days before you attach the grass trimmer line to the product. This increases the life of the grass trimmer line.
- Refer to the instructions for the cutting attachment to use the correct procedure to load the cord and the correct cord diameter.

Fuel Safety



WARNING: Read the warning instructions that follow before you use the product.

- Never start the product if you spill fuel on it. Wipe the spillage of and allow remaining fuel to evaporate.
- Never start the product if you spill fuel on yourself or your clothes. Change your clothes and wash any part of your body that has come in contact with fuel. Use soap and water.
- Never start the product if the product is leaking fuel. Check regularly for leaks from the fuel cap and fuel lines.

- Always put the product on a flat surface and make sure the cutting attachment cannot come in contact with any object while you add fuel.
- Take care when handling fuel. Bear in mind the risk of fire, explosion and inhaling fumes.
- Observe caution when handling fuel and make sure there is adequate ventilation. Fuel and fuel fumes are highly inflammable and can cause serious injury when inhaled or allowed to come in contact with the skin.
- Mix and pour fuel outdoors, where there are no sparks or flames.
- Do not smoke or place hot objects near fuel.
- Always stop the engine and let it cool off for a few minutes before you refuel.
- Open the fuel cap slowly so that any excess pressure is released gently when you refuel.
- Tighten the fuel cap carefully after you refueled.
- Clean the area around the fuel cap. Contamination in the tank can cause operating problems.
- Always move the product 3m (10ft) or further from the refuelling area and source before starting.
- Stop the engine, make sure that the cutting attachment stops and let the product cool down before you do the maintenance.
- Disconnect the spark plug cap before you do the maintenance.
- The exhaust fumes from the engine contain carbon monoxide, an odorless, poisonous and very dangerous gas that can cause death. Do not run the product indoors or in closed spaces.
- The exhaust fumes from the engine are hot and can contain sparks. Do not run the product indoors or near flammable material.
- Accessories and changes to the product that are not approved by the manufacturer, can cause serious injury or death. Do not change the product. Always use original accessories.
- If the maintenance is not done correctly and regularly, there is an increased risk of injury and damage to the product.
- Only do the maintenance as this operator's manual recommends. Let an approved Husqvarna service agent do all other servicing.
- Let an approved Husqvarna service agent do servicing on the product regularly.
- Replace damaged, worn or broken parts.

Safety instructions for maintenance



WARNING: Read the warning instructions that follow before you use the product.

Assembly

Introduction



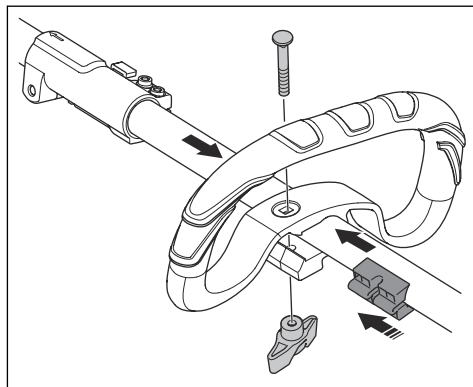
WARNING: Before you assemble the product, you must read and understand the safety chapter.



WARNING: Remove the spark plug cable from the spark plug before you assemble the product.

To attach the loop handle (130L)

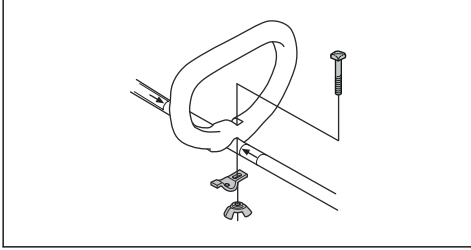
1. Attach the loop handle onto the shaft between the arrows.



2. Move the spacer into the slot of the loop handle.
3. Install the nut, the knob and the bolt. Do not tighten the bolt fully.
4. Adjust the product to a correct position.
5. Tighten the bolt.

To attach the loop handle (130C)

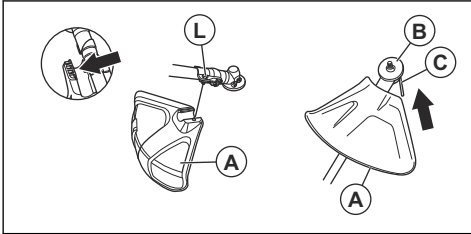
1. Attach the loop handle to the shaft in compliance with the illustration and tighten.



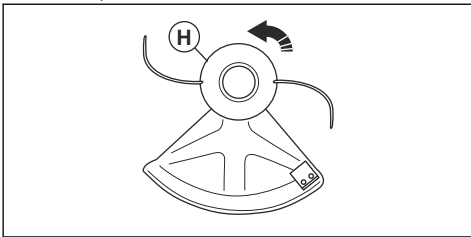
2. Make sure that the loop handle attaches between the arrows on the shaft.

To attach the cutting attachment guard and the trimmer head (straight shaft)

1. Attach the cutting attachment guard (A) to the shaft with the bolt (L).
2. Attach the drive disc (B) to the output shaft.
3. Turn the output shaft until the hole in the drive disc aligns with the hole in the gear housing.
4. Put a small screwdriver (C) in the hole to lock the shaft.

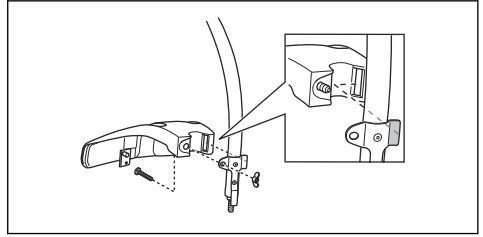


5. Turn the trimmer head (H) counterclockwise to tighten the trimmer head to the gearbox. (Left hand threads.)

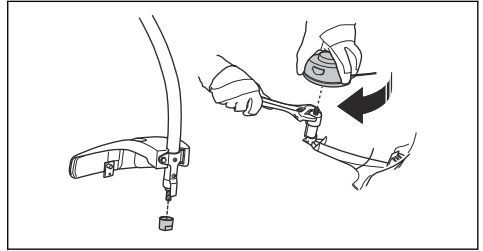


To attach the cutting attachment guard and trimmer head (curved shaft)

1. Attach the guard. Tighten the nut.



2. Attach the dust cup on the shaft.



3. Hold the dust cup with an adjustable wrench to make sure the shaft does not turn.
4. Attach the trimmer head to the shaft. Turn the trimmer head clockwise.

Operation

Fuel

This product has a two-stroke engine.



CAUTION: Incorrect type of fuel can result in engine damage. Use a mixture of gasoline and two-stroke oil.

Premixed fuel

- Use Husqvarna premixed alkylate fuel for best performance and extension of the engine life. This fuel contains less harmful chemicals compared to regular fuel, which decreases harmful exhaust fumes. The quantity of remains after combustion is lower with this fuel, which keeps the components of the engine more clean.

To mix fuel

Gasoline

- Use good quality unleaded gasoline with a maximum of 10% ethanol contents.



CAUTION: Do not use gasoline with an octane grade less than 90 RON/87 AKI. Use of a lower octane grade can cause engine knocking, which causes engine damages.

Two-stroke oil

- For best results and performance use Husqvarna two-stroke oil.
- If Husqvarna two-stroke oil is not available, use a two-stroke oil of good quality for air-cooled engines. Speak to your servicing dealer to select the correct oil.



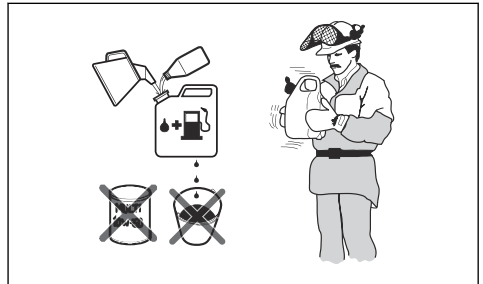
CAUTION: Do not use two-stroke oil for water-cooled outboard engines, also referred to as outboard oil. Do not use oil for four-stroke engines.

To mix gasoline and two-stroke oil

Gasoline, liter	Two-stroke oil, liter
	2% (50:1)
5	0.10
10	0.20
15	0.30
20	0.40
US gallon	US fl. oz.
1	2 ½
2 1/2	6 ½
5	12 7/8



CAUTION: Small errors can influence the ratio of the mixture drastically when you mix small quantities of fuel. Measure the quantity of oil carefully and make sure that you get the correct mixture.



- Fill half the quantity of gasoline in a clean container for fuel.
- Add the full quantity of oil.
- Shake the fuel mixture.
- Add the remaining quantity of gasoline to the container.
- Carefully shake the fuel mixture.



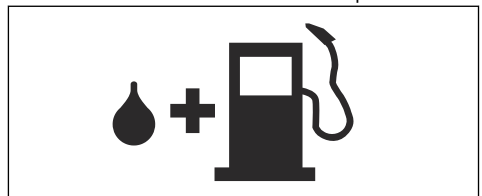
CAUTION: Do not mix fuel for more than 1 month at a time.

To fill the fuel tank



WARNING: Obey the procedure that follows for your safety.

- Stop the engine and let the engine become cool.
- Clean the area around the fuel tank cap.



- Shake the container and make sure that the fuel is fully mixed.
- Remove the fuel tank cap slowly to release the pressure.
- Fill the fuel tank.



CAUTION: Make sure that there is not too much fuel in the fuel tank. The fuel expands when it becomes hot.

6. Tighten the fuel tank cap carefully.
7. Clean fuel spillage on and around the product.
8. Move the product 3 m/10 ft or more away from the refueling area and fuel source before you start the engine.

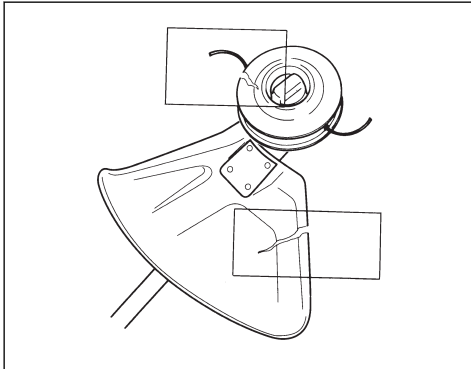
Note: To see where the fuel tank is on your product, refer to *Introduction on page 2*.

To do before you operate the product



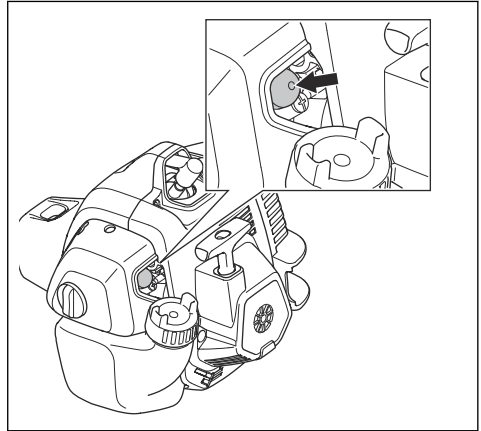
WARNING: Do not use the product without a guard or a guard that is damaged.

- Examine the work area to make sure that you know the type of terrain. Examine the slope of the ground and if there are obstacles such as stones, branches and ditches.
- Do an inspection of the product.
- Do the safety inspections, maintenance and service that are given in this manual.
- Make sure that all covers, the cutting attachment guard and the trimmer head are correctly attached and not damaged. Replace damaged parts.

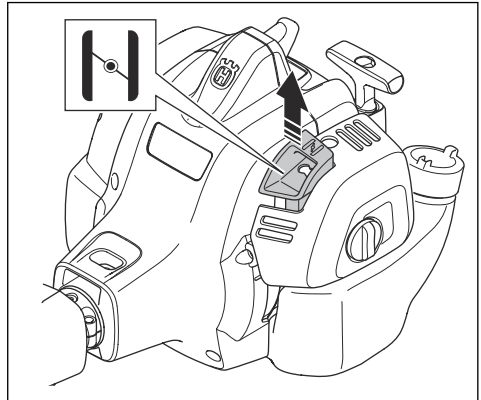


To start a cold engine

1. Push the air purge bulb 10 times.



2. Put the choke control in the full choke position.



3. Hold the product on the ground with your hand. Do not step on the product.



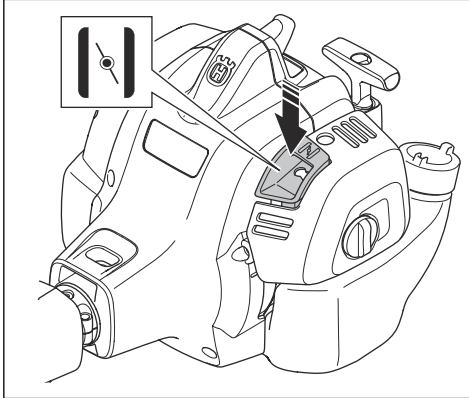
WARNING: Do not pull the throttle trigger while you start the engine.

4. Pull the starter rope handle 3 times with force.



CAUTION: Do not pull the starter rope until it stops. Do not let go of the starter rope when it is fully extended. Release the starter rope slowly. Failure to obey these instructions can cause damage to the engine.

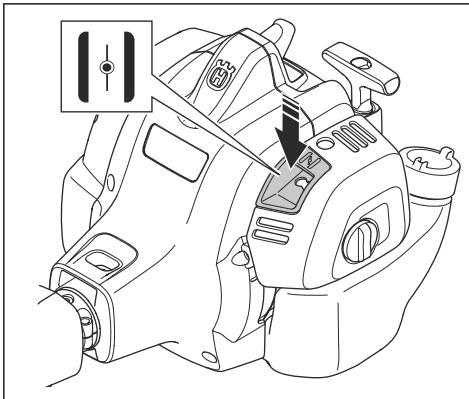
5. Push the choke control down to the half choke position in the center.



6. Pull the starter rope handle until the engine starts.

Note: If the engine does not start, do the start procedure from step 1.

7. Let the engine run for 10 seconds.
8. Push the choke control fully down to the no choke position.



To start a warm engine

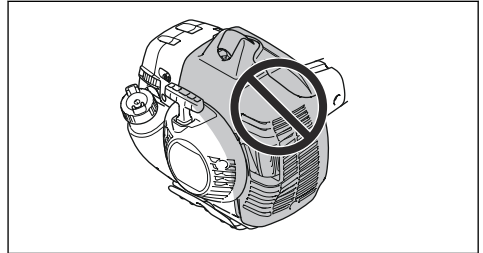
1. Move the choke lever to the FULL CHOKE position.
2. Move the choke lever to the HALF CHOKE position.
3. Pull the starter rope handle quickly until the engine runs.

4. Move the choke lever to the NO CHOKE position.

About the surface



WARNING: Do not put parts of your body in the grey marked area. If you touch the grey marked area it can result in burns to the skin. It can also cause electrical shock if the spark plug cap has been damaged. Do not use a product with a damaged spark plug cap.



To start the engine when the fuel is too hot

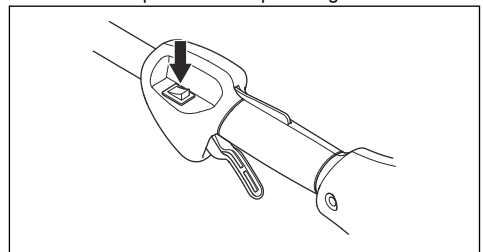
If the product does not start, the fuel can be too hot.

Note: Always use new fuel and decrease the operation time during warm weather.

1. Put the product in a cool area away from open sunlight.
2. Let the product cool down for 20 minutes at minimum.
3. Press the air purge bulb again and again for 10-15 seconds.
4. Obey the procedure to start a cold engine. Refer to *To start a cold engine on page 12.*

To stop the product

- Push the stop switch to stop the engine.

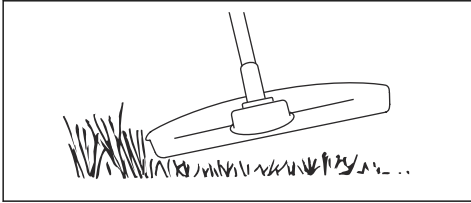


Note: The stop switch automatically goes back to its initial position.

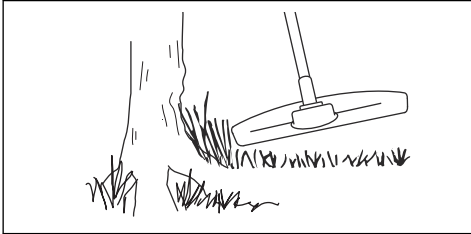
Grass trimming with a trimmer head

To trim the grass

1. Hold the trimmer head immediately above the ground at an angle. Do not push the trimmer line into the grass.

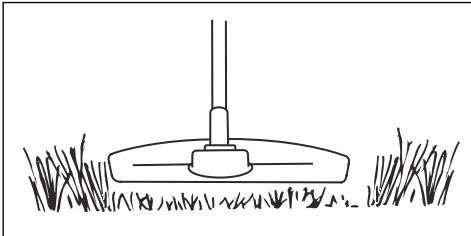


2. Decrease the length of the trimmer line by 10-12 cm / 4-4.75 in.
3. Decrease the engine speed to decrease the risk of damage to plants.
4. Use 80 % throttle when you cut grass near objects.



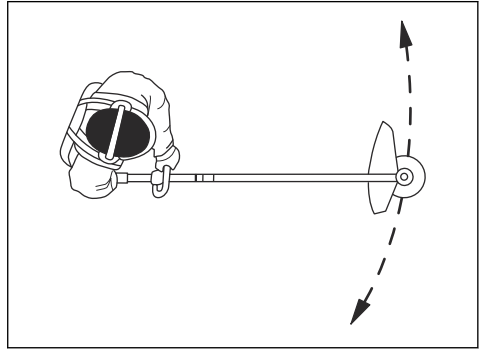
To cut the grass

1. Make sure that the trimmer line is parallel to the ground when you cut the grass.



2. Do not push the trimmer head to the ground. This can cause damage to the product.

3. Move the product from side to side when you cut grass. Use full speed.



To sweep the grass

The airflow from the rotating trimmer line can be used to remove cut grass from an area.

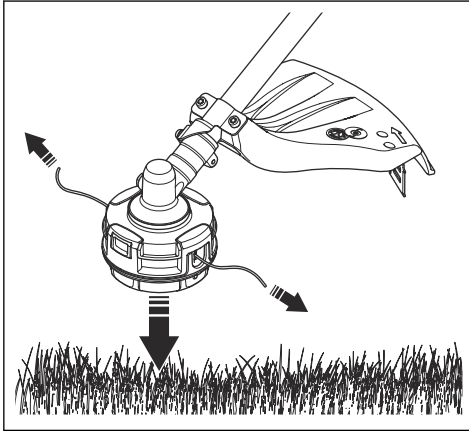
1. Hold the trimmer head and the trimmer line parallel to the ground and above the ground.
2. Apply full throttle.
3. Move the trimmer head from side to side and sweep the grass.



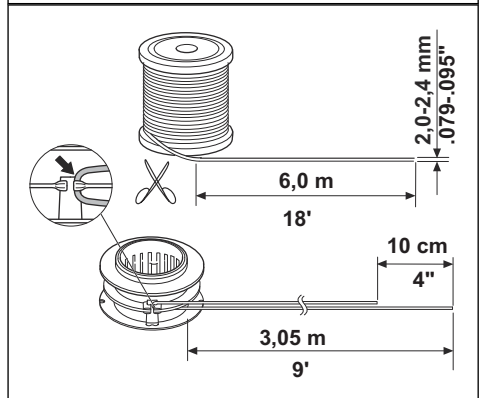
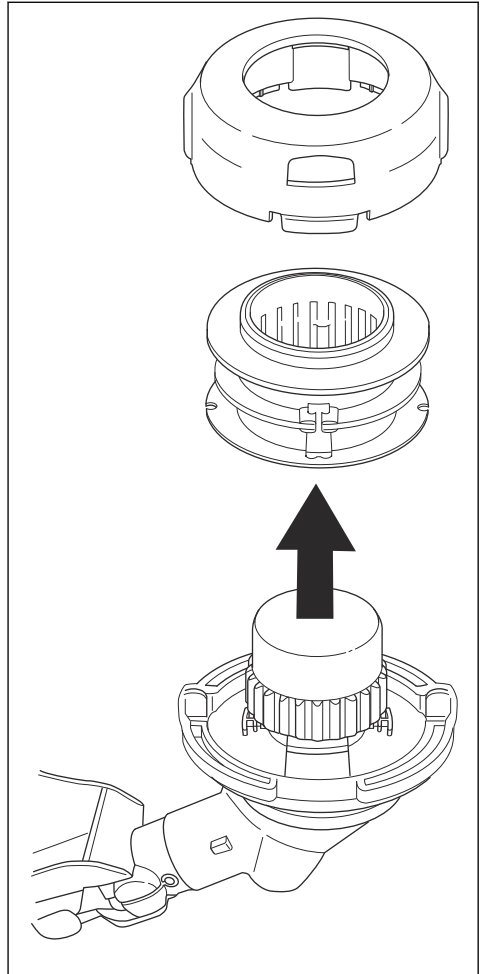
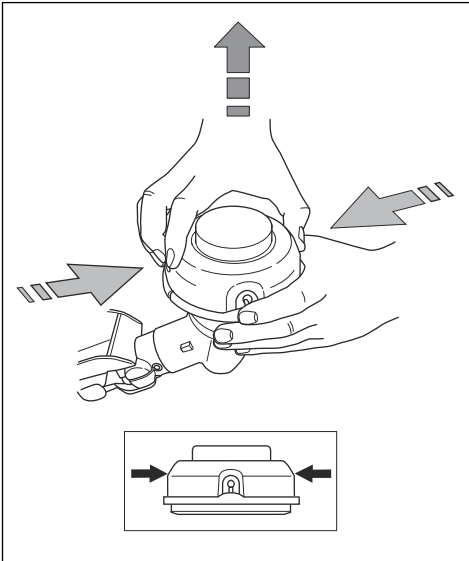
WARNING: Clean the trimmer head cover each time you assemble new trimmer line to prevent unbalance and vibrations in the handles. Also do a check of the other parts of the trimmer head and clean it if necessary.

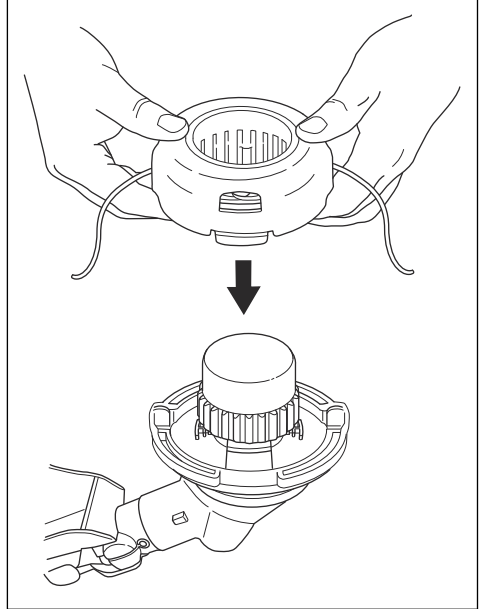
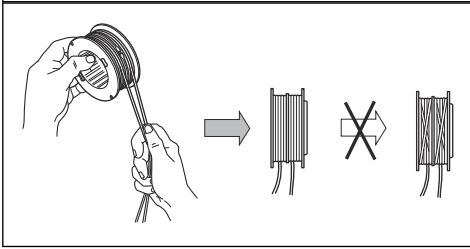
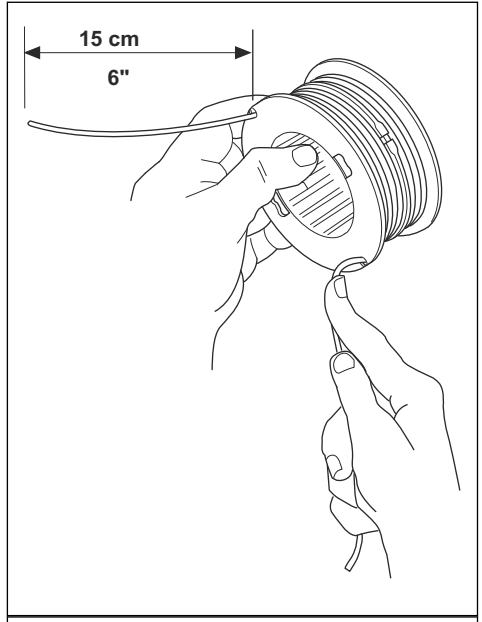
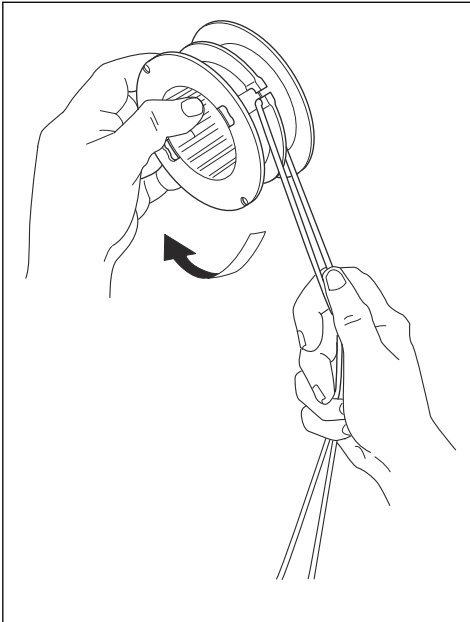
To extend the trimmer line

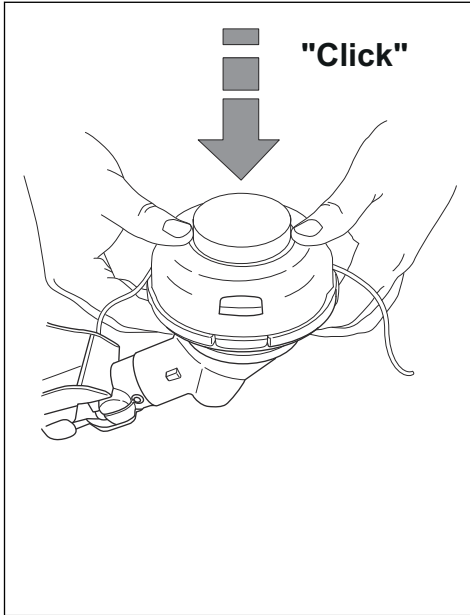
- When the trimmer line becomes short during operation, tap the trimmer head on a hard, flat surface to extend more trimmer line. You must operate the product at full speed to get the best result.



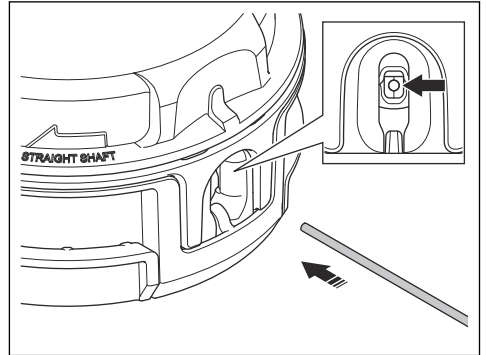
To replace the trimmer line 130C



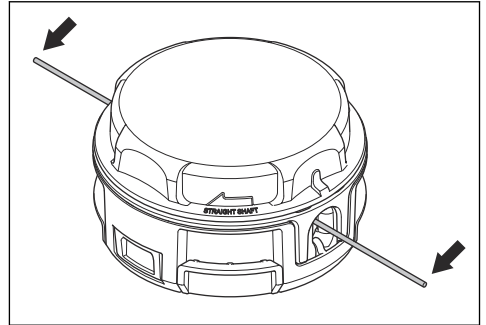




2. Continue to turn the top half of the trimmer head until the triangle (C) aligns with the hole (D).
3. Remove and discard the remaining trimmer line.
4. Cut approximately 6.7 m/22 ft of new trimmer line.
5. Put 1 end of the trimmer line into 1 of the holes.



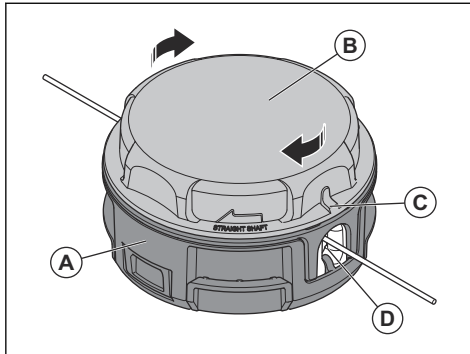
6. Push the trimmer line through the trimmer head and through the opposite hole.



7. Pull the trimmer line through the trimmer head until there is an equal length of trimmer line on each side.

To replace the trimmer line (130L)

1. Hold the lower half (A) of the trimmer head with one hand. Use your opposite hand to turn the top half (B) of the trimmer head.

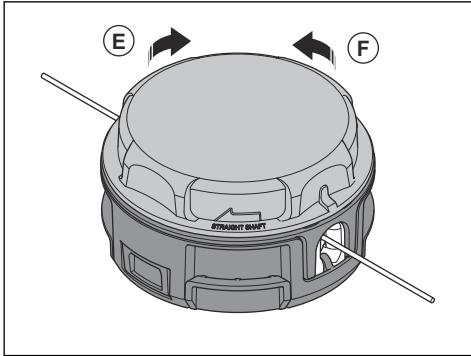


- a) For straight shaft grass trimmers, turn the top half of the trimmer head clockwise.
- b) For curved shaft grass trimmers, turn the top half of the trimmer head counterclockwise.

Note: It is not necessary to push the top half of the trimmer head down when you turn it.

Note: When you turn the top half of the trimmer head, you will hear a click.

8. Hold the lower half of the trimmer head stable with one hand. Use your opposite hand to turn the top half of the trimmer head. Continue to turn the top half of the trimmer head until approximately 127 mm/5 in of the trimmer line is extended from each hole.

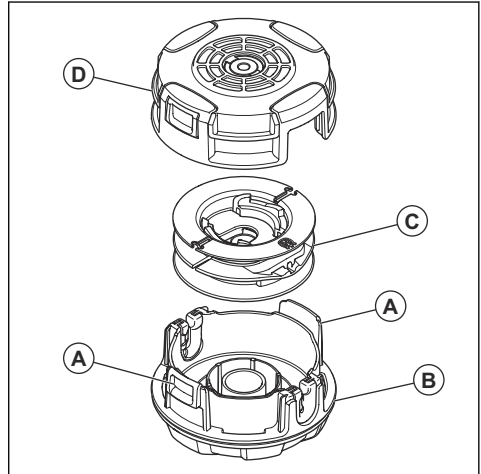


- a) For straight shaft grass trimmers, turn the top half (E) of the trimmer head clockwise.
- b) For curved shaft grass trimmers, turn the top half (F) of the trimmer head counterclockwise.

Note: If the trimmer line is too long on one side of the trimmer head, cut the trimmer line to the correct length.

To examine and clean the trimmer head 130L

1. Push the tabs (A) to remove the lower half (B) of the trimmer head.



2. Remove the spool (C).
3. Remove and discard any pieces of trimmer line and any unwanted material from the trimmer head and spool.
4. Put the spool in the lower half.
5. Attach the top half (D). Make sure that all parts are in the correct position and are correctly aligned.
6. Turn the assembled trimmer head with your hand. Make sure that the top and bottom halves are fully closed and the tabs are fully engaged.
7. To replace the trimmer line see *To replace the trimmer line (130L) on page 17.*

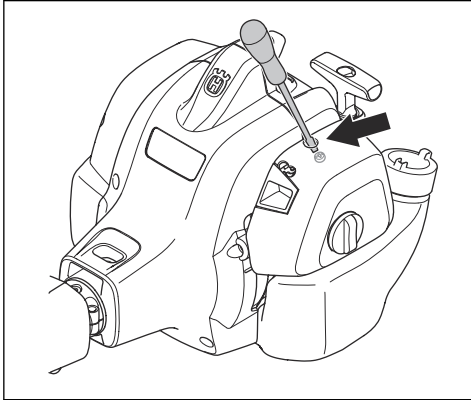
Maintenance

To adjust the idle speed

Your Husqvarna product is made to specifications that decrease harmful emissions.

1. Make sure that the air filter is clean and that the air filter cover is attached to the product.

- Turn the idle speed screw (T) clockwise until the cutting attachment starts to turn.



- Turn the idle speed screw (T) counterclockwise until the cutting attachment stops.

The idle speed is correct when the engine operates smoothly in all positions. The idle speed must be below the speed when the cutting attachment starts to turn.

Note: Refer to *Technical data on page 23* for the recommended idle speed.



WARNING: If the cutting attachment does not stop when you adjust the idle speed, speak to your servicing dealer. Do not use the product until it is correctly adjusted or repaired.

To do a check of the muffler



WARNING: Do not use a product that has a damaged muffler.



WARNING: Do not use the product if the spark arrester screen on the muffler is missing or damaged.



WARNING: The muffler becomes very hot during and after operation and also at idle speed. Use protective gloves to prevent burn injuries.

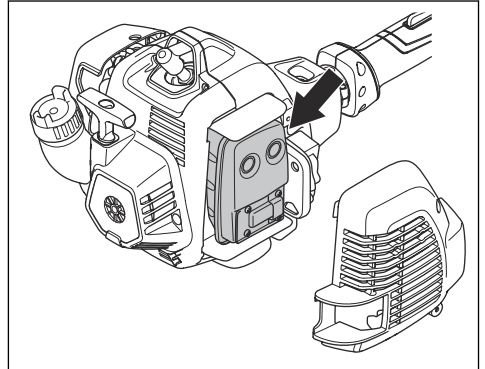
The muffler keeps noise levels to a minimum and points exhaust fumes away from the operator.

- Stop the engine.
- Examine the muffler for damage.

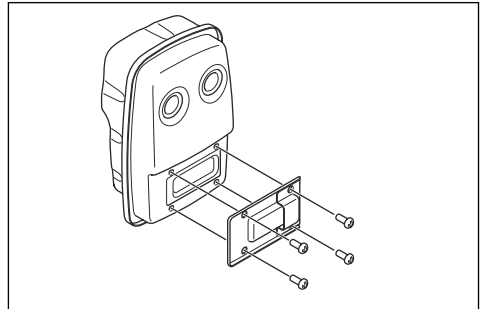


WARNING: The inner surfaces of the muffler contain chemicals that can cause cancer. Be careful not to touch these elements if the muffler is damaged.

- Make sure that the muffler is correctly attached to the product.



- Do a visual check of the spark arrester screen.



- Replace the spark arrester screen if it is damaged.
- Clean the spark arrester screen if it is blocked.



CAUTION: If the spark arrester screen is blocked the product becomes too hot and this causes damage to the cylinder and piston.

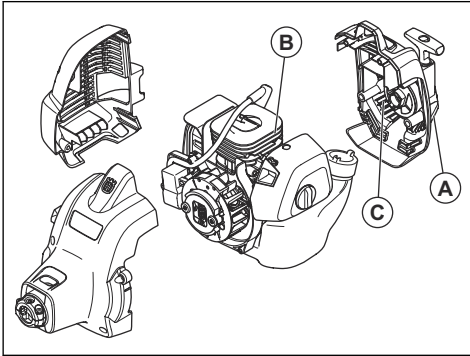
To clean the cooling system



CAUTION: A dirty or blocked cooling system can make the product too hot, which can cause damage to the product.

The parts of the cooling system are the air intake on the starter (A), the cooling fins on the cylinder (B) and the cylinder cover (C).

1. Clean the cooling system with a brush weekly or more frequently if it is necessary.



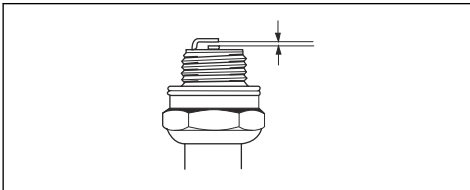
2. Make sure that the cooling system is not dirty or blocked.

To examine the spark plug



CAUTION: Always use the recommended spark plug type. Incorrect spark plug type can cause damage to the product.

- Examine the spark plug if the engine is low on power, is not easy to start or does not operate correctly at idle speed.
- To decrease the risk of unwanted material on the spark plug electrodes, obey these instructions:
 - a) Make sure that the idle speed is correctly adjusted.
 - b) Make sure that the fuel mixture is correct.
 - c) Make sure that the air filter is clean.
- If the spark plug is dirty, clean it and make sure that the electrode gap is correct, refer to *Technical data on page 23*.



- Replace the spark plug if it is necessary.

Air filter

Remove dust and dirt from the air filter to keep it clean and prevent these problems:

- Carburetor malfunctions.

- Problems when you start the product.
- Loss of engine power.
- Increased wear to engine parts.
- Too much fuel consumption.

To clean the air filter

1. Remove the air filter cover and remove the filter.
2. Hit the filter against a flat surface to make the particles fall off.



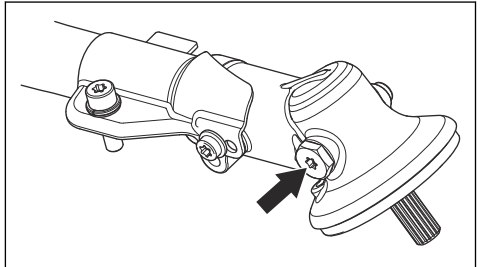
CAUTION: Do not use solvent or compressed air to clean the air filter.

3. Put the air filter back. Make sure that the air filter fully seals against the air filter holder.
4. Put the air filter cover back.

Note: An air filter that is used for a long time cannot be fully cleaned. Replace the air filter at regular intervals. Always replace a damaged air filter.

Bevel gear 130L

The bevel gear is filled with the right quantity of grease at the factory. But, before you use the product, make sure that the bevel gear is 3/4 full with grease. Use Husqvarna special grease.



The grease in the bevel gear does not need to be changed unless repairs are carried out.

Maintenance schedule

The following is a list of the maintenance steps that must be performed on the product. Most of the items are described in *Maintenance on page 18*

Note: The user must only carry out the maintenance and service work described in this operator's manual. More extensive work must be carried out by an authorized service workshop.

Maintenance	Daily	Weekly	Monthly
Clean the external surface.	X		

Maintenance	Daily	Weekly	Monthly
Make sure that the throttle trigger lock and the throttle works correctly from a safety point of view.	X		
Do a check of the stop switch to make sure that it works correctly.	X		
Make sure that the cutting attachment does not rotate at idle speed.	X		
Clean the air filter. Replace if necessary.	X		
Examine the cutting attachment guard for damages and cracks. Replace the guard if it has been exposed to impact or is cracked.	X		
Examine the trimmer head for damages and cracks. Replace if damaged.	X		
Make sure that the screws and nuts are tight.	X		
Examine the engine, the fuel tank and the fuel lines for leaks.	X		
Clean the cooling system.		X	
Examine the starter and the starter rope for damages.		X	
Examine the vibration damping elements for damages and cracks.		X	
Clean the outside of the spark plug. Remove it and do a check of the electrode gap. Adjust the gap to the correct distance (refer to <i>To examine the spark plug on page 20</i>) or replace the spark plug. Make sure that the spark plug is fitted with a suppressor.		X	
Clean the outside of the carburettor and the space around it.		X	
Do a check of the bevel gear to make sure that it is filled three-quarters with lubricant. Use special grease to fill if necessary.		X	
Clean or replace the spark arrestor mesh on the muffler (only applies to mufflers without a catalytic converter).		X	
Do a check of the fuel filter for contamination and the fuel hose for cracks or other damages (130L (LT13028CSHV). Replace if necessary.			X
Do a check of all cables and connections.			X
Do a check of the clutch, clutch springs and the clutch drum for wear. Replace if necessary by an authorized service workshop.			X
Replace the spark plug. Make sure that the spark plug is fitted with a suppressor.			X
Check and clean the spark arrestor mesh on the muffler (only applies to mufflers without a catalytic converter).			X

Troubleshooting

The engine does not start

Check	Possible cause	Procedure
Starter pawls.	The starter pawls cannot move freely.	Remove the starter cover and clean around the starter pawls.
		Let an approved service agent help you.
Fuel tank.	Incorrect fuel type.	Drain the fuel tank and fill with correct fuel.
Spark plug.	The spark plug is dirty or wet.	Make sure that the spark plug is dry and clean.
	The spark plug electrode gap is incorrect.	Clean the spark plug. Make sure that the electrode gap is correct. Make sure that the spark plug has a suppressor.
		Refer to technical data for correct electrode gap.
	The spark plug is loose.	Tighten the spark plug.

The engine starts but stops again

Check	Possible cause	Procedure
Fuel tank.	Incorrect fuel type.	Empty the fuel tank and fill it with correct fuel.
Air filter.	The air filter is clogged.	Clean the air filter.

Transportation and storage

Transportation and storage

- For storage and transportation of the product and fuel, make sure that there are no leaks or fumes. Sparks or open flames, for example from electrical devices or boilers, can start a fire.
- Always use approved containers for storage and transportation of fuel.
- Empty the fuel tank before transportation or long-term storage. Discard the fuel at an applicable disposal location.
- Use the transportation guard on the product to prevent injuries or damage to the product. A blade that does not move can also cause serious injuries.
- Remove the spark plug cap from the spark plug.
- Attach the product safely during transportation.

Technical data

Technical data

	130C (LT13028CCHV)	130L (LT13028CSHV)
Engine		
Cylinder displacement, cu.in./cm ³	1.7/28	1.7/28
Idle speed, rpm	2800–3200	2800–3200
Recommended max. speed, rpm	8000	8000
Speed of output shaft, rpm	8000	5472
Max. engine output, according to ISO 8893, kW/hp @ rpm	0.7/1.0 @ 8000	0.7/1.0 @ 8000
Catalytic converter muffler	Yes	Yes
Ignition system		
Spark plug	Champion QCJ-8Y	Champion QCJ-8Y
Electrode gap, in./mm	0.024/0.6	0.024/0.6
Fuel and lubrication system		
Fuel tank capacity, US Pint/l	1.12/0.5	1.12/0.5
Weight		
Without fuel, cutting attachment and guard, lb/kg	11.0/5.0	11.0/5.0

Accessories

Accessories

The accessories used in combination with the specified power heads have been evaluated to ANSI B175.3-2019 Grass Trimmers and Brushcutters Safety Requirements. These combinations have been evaluated by Intertek and are consequently ETL listed.

130C		
Approved accessories	Type	Cutting attachment guard, art. no.
Blade shaft thread 3/8 R		
Trimmer head	RapidReplace™, T25, T35 (2.03–2.67 mm / .080–.105 in trimmer line)	531 12 79-13

130L		
Approved accessories	Type	Cutting attachment guard, art. no.
Blade shaft thread M10		
Trimmer head	RapidReplace™, T25, T35 (2.03–2.67 mm / .080–.105 in trimmer line)	501 13 67-03

The accessories are recommended for use in combination with the specified power heads and have been evaluated to applicable ISO- and EN safety requirement standards by the Swedish Machinery Testing Institute.

Contenido

Introducción.....	25	Solución de problemas.....	46
Seguridad.....	27	Transporte y almacenamiento.....	46
Montaje.....	33	Datos técnicos.....	47
Funcionamiento.....	34	Accesorios.....	47
Mantenimiento.....	42		

Introducción

Descripción del producto

El producto es una recortadora de césped con un motor de combustión.

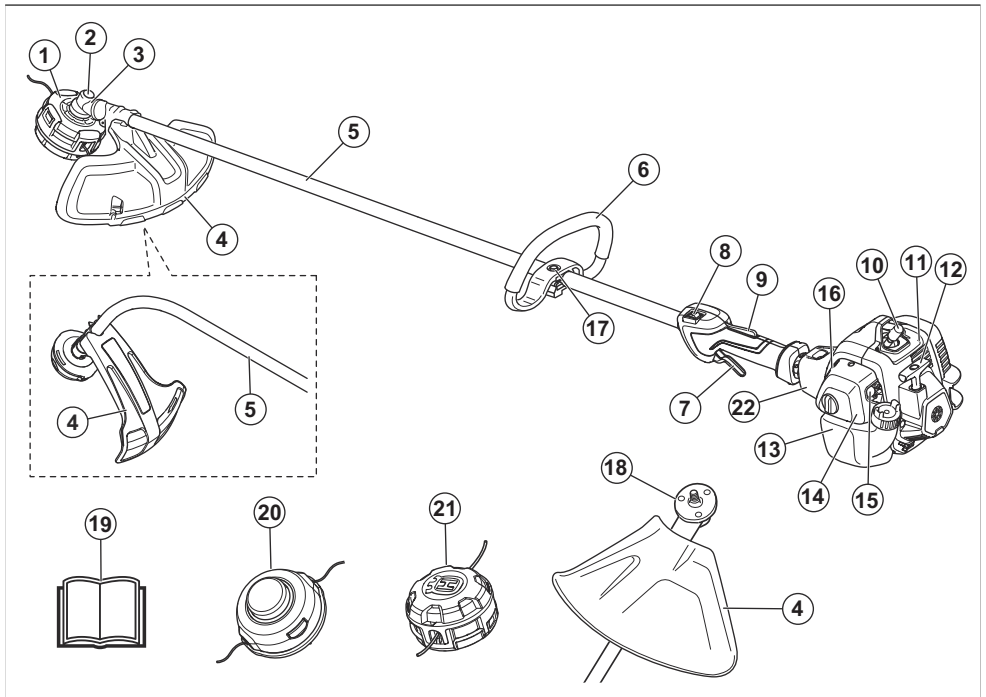
Uso previsto

El producto se utiliza con un cabezal de corte para cortar césped. No utilice el producto para otras tareas que no sean cortar y desbrozar césped.

Tenga en cuenta: Las normativas nacionales pueden establecer un límite para el funcionamiento del producto.

Utilice el producto solo con accesorios aprobados por el fabricante. Consulte *Accesorios en la página 47*.

Descripción general del producto



1. Cabezal de corte
2. Tapón de llenado de grasa
3. Engranaje angulado
4. Protección del equipo de corte

5. Eje
6. Mango cerrado
7. Acelerador
8. Interruptor de detención

9. Bloqueo del acelerador
10. Sombrero de bujía y bujía
11. Cubierta del cilindro
12. Empuñadura de la cuerda de arranque
13. Depósito de combustible
14. Cubierta del filtro de aire
15. Bulbo de la purga de aire
16. Estrangulador
17. Ajuste del mango
18. Disco de arrastre
19. Manual del usuario
20. Cabezal de corte 130L
21. Cabezal de corte 130C
22. Sistema amortiguador de vibraciones



Utilice solo cable de corte flexible. No use equipos de corte metálicos para cortar césped.



Las flechas muestran el límite de la posición del mango.



Bulbo de la purga de aire.



Estrangulador.



Combustible.

aaaassxxxx

En la placa de características, se muestra el número de serie. **aaaa** es el año de producción, **ss** es la semana de producción.

Símbolos en el producto



ADVERTENCIA: Tenga cuidado y utilice el producto correctamente. Este producto puede causar daños graves o fatales al operador o a otras personas.



Lea atentamente el manual de instrucciones y asegúrese de que entiende las instrucciones antes de usar este producto.



Utilice protección auricular aprobada. Utilice protección ocular aprobada.



Utilice guantes protectores homologados.



Use botas antideslizantes de servicio pesado.



Si tiene el cabello largo, asegúrese de amarrarlo sobre sus hombros.



El producto puede provocar que los objetos salgan expulsados, lo que puede causar lesiones.



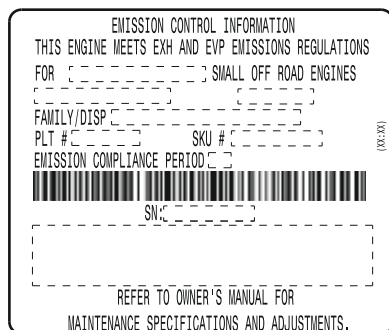
Régimen máximo del eje de salida.



Manténgase a un mínimo de 15 m de distancia de las personas y los animales mientras el producto esté funcionando.

Tenga en cuenta: Otros símbolos o etiquetas en el producto hacen referencia a requisitos de certificación para algunos mercados.

EPA III



El Período de cumplimiento de emisiones al que se hace referencia en la etiqueta de Cumplimiento de emisiones indica la cantidad de horas de funcionamiento en la que se ha demostrado que el motor cumple los requisitos de emisiones federales. El mantenimiento, reemplazo o reparación de los

dispositivos y sistemas de control de emisiones puede realizarlo cualquier establecimiento o persona de que repare motores para uso fuera de carretera.

ABREVIATURAS DE LA ETIQUETA DE CONTROL DE EMISIONES

Información general:

EXH/EVP	Escape y evaporación	REGS	Reglamentos	DISPL	Desplazamiento
EVAP	Evaporación	SORE	Motores todoterreno pequeños	ECS	Sistema de control de emisiones
HRS	Horas	US EPA	Agencia de Protección Ambiental de Estados Unidos		

Sistema de control de emisiones de escape:

ECM	Módulo de control del motor (afinación automática)	OC	Catalizador oxidante
EM	Modificación del motor	TWC	Catalizador de tres vías

Sistemas de control de emisiones por evaporación:

C	Coextrusionado (multicapa)	P	HDPE o PE tratados
N	Nailon	S	Sellado

Daños en el producto

No somos responsables de los daños a nuestro producto en los siguientes casos:

- el producto se repara incorrectamente
- el producto se repara con piezas que no son del fabricante o que este no autoriza
- el producto tiene un accesorio que no es del fabricante o que este no autoriza
- el producto no se repara en un centro de servicio autorizado o por una autoridad aprobada.

Seguridad

Definiciones de seguridad

Las advertencias, precauciones y notas se utilizan para señalar las piezas particularmente importantes del manual.



ADVERTENCIA: Se utilizan para señalar el riesgo de lesiones graves o mortales para el operador o para aquellos que se encuentren cerca si no se siguen las instrucciones del manual.



AVISO: Se utilizan para señalar el riesgo de dañar la máquina, otros materiales o el área adyacente si no se siguen las instrucciones del manual.

Tenga en cuenta: Se utilizan para entregar más información necesaria en situaciones particulares.

Instrucciones generales de seguridad



ADVERTENCIA: Lea atentamente las instrucciones de advertencia siguientes antes de usar el producto.

- Una desbrozadora, un quitabustos o una recortadora pueden resultar peligrosos si se utilizan de manera inapropiada o incorrecta, ya que pueden causar daños graves o fatales al operador u otras personas. Es muy importante que lea y comprenda el contenido de este manual de usuario.
- Bajo ninguna circunstancia se puede modificar el diseño del producto sin autorización del fabricante. No utilice nunca un producto que ha sido modificado de cualquier modo con respecto a la especificación original y utilice siempre accesorios originales. Las modificaciones o accesorios no autorizados pueden provocar daños personales o la muerte del operador u otras personas.
- El interior del silenciador contiene productos químicos que pueden ser cancerígenos. Evite el

contacto con estos elementos en caso de que se dañe el silenciador.

- En este producto se genera un campo electromagnético durante su funcionamiento. Este campo puede, en determinadas circunstancias, interferir con implantes médicos activos o pasivos. Para reducir el riesgo de lesiones graves o fatales, recomendamos a las personas con implantes médicos consultar a su médico y al fabricante del implante médico antes de usar esta máquina.

Seguridad de vibración

Este producto solo sirve para su uso ocasional. El funcionamiento continuo o regular del producto puede provocar la enfermedad de Dupuytren o problemas médicos equivalentes producto de las vibraciones. Examine la condición de sus manos y dedos si opera el producto regular o continuamente. Si sus manos o dedos tienen una decoloración, dolor, cosquilleo o se sienten entumecidos, detenga el trabajo y póngase en contacto con un médico de inmediato.

Instrucciones de seguridad para el funcionamiento



ADVERTENCIA: Lea atentamente las instrucciones de advertencia siguientes antes de usar el producto.

- Debe entender la diferencia entre desbroce de césped y recorte de césped antes de usarlo.
- Si se encuentra en una situación en la que no está seguro de cómo proceder, debe preguntarle a un experto. Comuníquese con el distribuidor o el taller de servicio. Evite todos los usos que considere que están más allá de su capacidad.
- Nunca utilice un producto que esté defectuoso. Realice las comprobaciones de seguridad, el mantenimiento y las instrucciones de servicio descritas en este manual. Especialistas capacitados y calificados deben llevar a cabo algunas medidas de mantenimiento y servicio. Consulte *Mantenimiento en la página 42*.
- Todas las tapas, protecciones y mangos deben estar montados antes de arrancar la máquina. Asegúrese de que el sombrerete de bujía y el cable de encendido estén en perfecto estado para evitar el riesgo de descarga eléctrica.
- No utilice nunca la máquina si está cansado, bajo la influencia del alcohol o las drogas, medicamentos o cualquier cosa que pudiera afectar su visión, vigilancia, coordinación o criterio.
- No utilice la máquina en condiciones climáticas desfavorables, como niebla densa, lluvia intensa, tempestad, frío intenso, etcétera. Trabajar con mal tiempo es agotador y, a menudo, se presentan más riesgos, como suelo con hielo, dirección de corte impredecible, etcétera.
- Los únicos accesorios que pueden utilizarse con esta unidad de motor son los equipos de corte que recomendamos. Consulte *Accesorios en la página 47*.
- Nunca permita que los niños utilicen el producto o que estén cerca de este. Debido a que el producto está equipado con un interruptor de arranque/detención que se acciona por resorte y se puede arrancar con baja velocidad y fuerza desde el mango de arranque, incluso niños pequeños pueden, en determinadas circunstancias, lograr la fuerza necesaria para arrancar el producto. Esto puede significar riesgo de daños personales graves. Por consiguiente, saque el sombrerete de bujía cuando no se supervise el producto atentamente.
- Hacer funcionar un motor en un área confinada o mal ventilada puede producir la muerte por asfixia o intoxicación por monóxido de carbono.
- Toda la cubierta del embrague y el eje deben estar montados antes de encender la máquina; de lo contrario, el embrague se puede desprender y puede causar daños personales.
- Asegúrese de que ninguna persona o animal se acerque a menos de 15 m mientras trabaja. Cuando varios operadores trabajen en la misma zona, la distancia de seguridad debe ser de al menos 15 m. De lo contrario, existe el riesgo de que se produzcan lesiones personales graves. Detenga el producto de inmediato si alguien se acerca. Nunca balancee el producto sin mirar primero hacia atrás para asegurarse de que nadie se encuentre dentro de la zona de seguridad.
- Asegúrese de que ni personas, ni animales ni ningún objeto o elemento puedan influir en su control del producto o que no entren en contacto con el equipo de corte u objetos flojos que son lanzados por el equipo de corte. No obstante, no utilice el producto, a menos que pueda pedir ayuda en caso de que ocurra un accidente.
- Siempre inspeccione la zona de trabajo. Quite todos los objetos sueltos, como piedras, cristales rotos, clavos, alambres de acero, cuerdas, etcétera., que podrían ser lanzados o enredarse en el equipo de corte.
- Cerciórese de que puede caminar y mantenerse de pie con seguridad. Revise el área a su alrededor para detectar posibles obstáculos (raíces, piedras, ramas, zanjas, etc.) en caso de que tenga que

moverse repentinamente. Tenga sumo cuidado al trabajar en terreno inclinado.



- Mantenga un buen equilibrio en todo momento. No se estire demasiado.
- Siempre sujete el producto con ambas manos. Mantenga el producto al lado derecho de su cuerpo.
- Mantenga el equipo de corte por debajo de la cintura.
- Apague el motor antes de pasar a otra área. Coloque la protección para transportes antes de llevar o transportar el equipo una cierta distancia.
- Nunca suelte el producto con el motor activado, a menos que lo tenga a la vista.
- Pare el motor y el equipo de corte antes de quitar el material que se ha enrollado en el eje de la hoja. Ni el usuario del producto ni ninguna otra persona debe intentar retirar el material cortado mientras el motor está en marcha o el equipo de corte está girando, ya que esto puede provocar lesiones graves. El engranaje angulado puede calentarse durante el uso y es posible que permanezca caliente por un largo tiempo. Si lo toca, puede quemarse.
- Esté atento a que no salgan objetos despedidos. Use siempre protección ocular homologada. No se apoye nunca sobre la protección del equipo de corte. Es posible que las piedras, residuos, etcétera, salgan despedidos en dirección a los ojos y le causen ceguera o lesiones graves.
- Algunas ramas o césped podrían quedar atrapados entre la protección y el equipo de corte. Detenga el motor antes de limpiar el producto.
- Reduzca siempre la velocidad del motor a ralentí después de cada tarea. Utilizar la máquina períodos prolongados a aceleración máxima sin ninguna carga en el motor puede provocar daños graves al motor.
- Preste atención a las señales de advertencia o gritos cuando utilice protectores auriculares. Siempre retire sus protectores auriculares apenas se detenga el motor.
- La sobreexposición a las vibraciones puede producir trastornos vasculares o nerviosos en personas que padecen de trastornos circulatorios. Póngase en contacto con su médico si experimenta síntomas de la sobreexposición a las vibraciones. Estos síntomas incluyen entumecimiento, pérdida de

sensibilidad, hormigueo, ardor, dolor, pérdida de fuerza y cambios en el color o el estado de la piel. Normalmente, estos síntomas se presentan en los dedos, manos o muñecas.

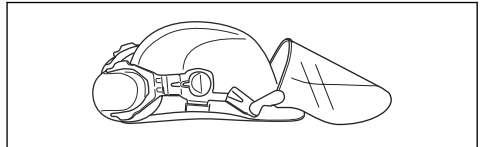
- No utilice un producto con un sombrerete de bujía dañado.
- No utilice un producto con un silenciador dañado.
- Mantenga todas las partes del cuerpo lejos del equipo de corte giratorio y superficies calientes.
- Nunca utilice un producto con un silenciador defectuoso.
- Nunca arranque ni utilice el producto en interiores, cerca de material combustible ni en espacios que no cuenten con una ventilación adecuada. Los gases de escape del motor contienen monóxido de carbono, un gas inodoro, tóxico y altamente peligroso. Además, los gases de escape están calientes y pueden contener chispas que podrían provocar un incendio.

Equipo de protección personal

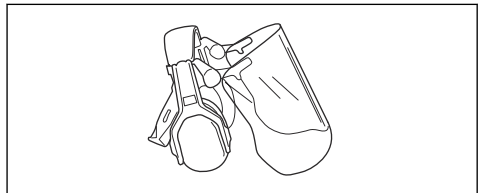


ADVERTENCIA: Lea atentamente las instrucciones de advertencia siguientes antes de usar el producto.

- Utilice siempre el equipo de protección personal adecuado cuando use el producto. El equipo de protección personal no puede impedir el riesgo de lesiones, pero disminuirá el grado de lesión si ocurre un accidente. Permita que su distribuidor le ayude seleccionar el equipo adecuado.
- Utilice un casco protector cuando exista el riesgo de caída de objetos.

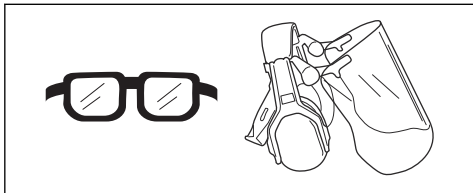


- Utilice protectores auriculares aprobados que proporcionen una reducción de ruido adecuada. La exposición prolongada al ruido puede causar la pérdida permanente de la audición.

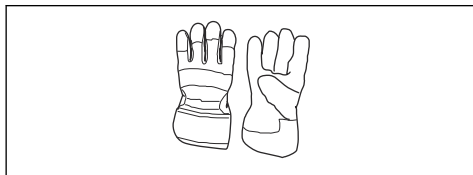


- Use protección ocular aprobada. Si utiliza un visor, también debe usar gafas protectoras homologadas. Las gafas protectoras homologadas deben cumplir

con la norma ANSI Z87.1 de EE. UU. o EN 166 para países de la UE.



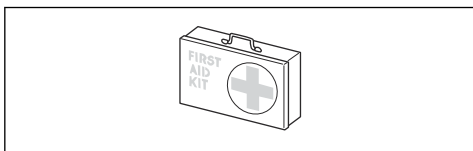
- Utilice guantes cuando sea necesario, por ejemplo, cuando conecte, examine o limpie el equipo de corte.



- Use botas de protección con punta de acero y suelas antideslizantes.



- Utilice ropa de material resistente. Use siempre pantalones largos y gruesos, y mangas largas. Evite usar ropas holgadas que se puedan enganchar con ramas. No trabaje con joyas, pantalones cortos, sandalias ni con los pies descalzos. Asegure su cabello por encima del nivel de los hombros.
- Mantenga un equipo de primeros auxilios a mano.



Dispositivos de seguridad en el producto



ADVERTENCIA: Lea atentamente las instrucciones de advertencia siguientes antes de usar el producto.

En esta sección se describen las características de seguridad del producto y su propósito, y cómo deben llevarse a cabo las comprobaciones y el mantenimiento para asegurarse de que funciona correctamente. Consulte las instrucciones bajo el título *Introducción en*

la página 25 para saber dónde se encuentran estas piezas en el producto.

La vida útil del producto se puede reducir y el riesgo de accidentes puede aumentar si el mantenimiento del producto no se realiza correctamente y si el servicio o las reparaciones no se llevan a cabo de forma profesional. Si necesita más información, comuníquese con su taller de servicio más cercano.



ADVERTENCIA: No utilice nunca un producto con componentes de seguridad dañados. El equipo de seguridad del producto se debe inspeccionar y mantener tal como se describe en esta sección. Si el producto no pasa exitosamente alguna de estas comprobaciones, póngase en contacto con el taller de servicio para que lo reparen.

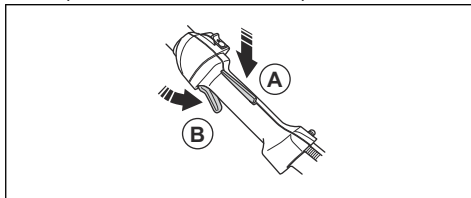


AVISO: Todos los trabajos de servicio y reparación de la máquina requieren una formación especial. Esto aplica especialmente al equipo de seguridad. Si la máquina no pasa exitosamente alguna de las comprobaciones indicadas a continuación, póngase en contacto con el taller de servicio. La compra de alguno de nuestros productos le garantiza la disponibilidad de mantenimiento y servicio profesionales. Si el comerciante que vende la máquina no es un concesionario de servicio, pídale la dirección del taller de servicio más cercano.

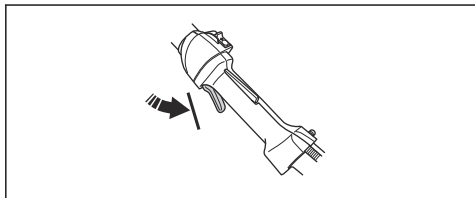
Comprobación del fiador del acelerador

El fiador del acelerador está diseñado para evitar el funcionamiento accidental del acelerador.

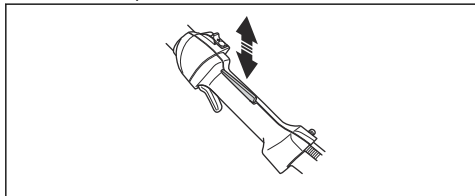
1. Presione el fiador del acelerador (A) y asegúrese de que el acelerador se libere (B). Cuando suelta la manija, el fiador del acelerador y el acelerador vuelven a sus posiciones iniciales. Este movimiento se controla mediante dos muelles de retorno independientes. En esta posición el acelerador se bloquea automáticamente en la posición de ralentí.



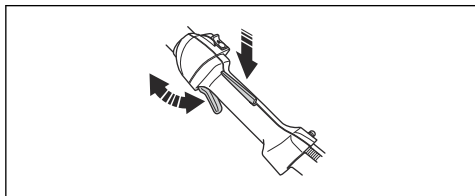
2. Asegúrese de que el acelerador esté bloqueado en la posición de ralentí cuando el fiador del acelerador se suelta.



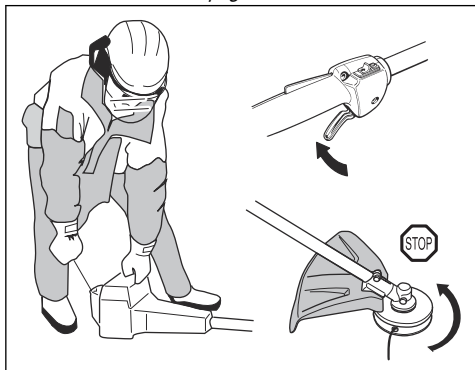
3. Presione el fiador del acelerador y asegúrese de que vuelva a su posición inicial cuando lo suelte.



4. Compruebe que el acelerador y el fiador del acelerador se muevan con facilidad y que los muelles de retorno funcionen correctamente.

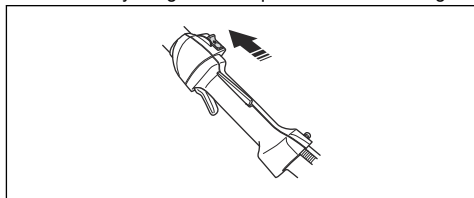


5. Encienda el producto (consulte las instrucciones en *Para arrancar un motor frío en la página 36*) y aplique aceleración máxima.
6. Suelte el acelerador y asegúrese de que el equipo de corte se detenga y permanezca inmóvil. Si el equipo de corte gira con el acelerador en la posición de ralentí, se debe comprobar el ajuste de ralentí del carburador. Consulte las instrucciones en el capítulo *Mantenimiento en la página 42*.



Para comprobar el interruptor de detención

1. Arranque el motor.
2. Mueva el interruptor de detención a la posición de detención y asegúrese de que el motor se detenga.



Comprobación de la protección del equipo de corte

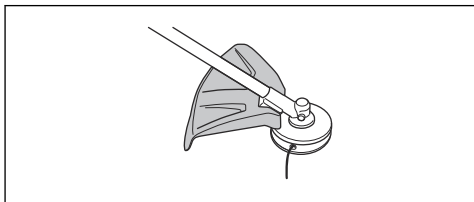


ADVERTENCIA: No utilice un equipo de corte sin una protección para equipo de corte aprobada y correctamente acoplada. Consulte *Accesorios en la página 47*.



ADVERTENCIA: Utilice siempre la protección para el equipo de corte recomendada para el equipo de corte que utilice. Un montaje incorrecto o defectuoso de una protección para el equipo de corte puede provocar daños personales graves. Consulte *Datos técnicos en la página 47*.

La protección del equipo de corte evita lesiones provocadas por un objeto suelto que sale expulsado en dirección al usuario. También evita lesiones que se producen si toca el equipo de corte.



1. Realice una comprobación visual para determinar si existen daños, por ejemplo, grietas.
2. Reemplace la protección del equipo de corte si está dañada.

Para comprobar el sistema amortiguador de vibraciones



ADVERTENCIA: El uso de un hilo mal enrollado o de un equipo de corte incorrecto aumenta el nivel de vibraciones.

El sistema amortiguador de vibraciones reduce las vibraciones entre la unidad del motor y la unidad del eje, lo que facilita el funcionamiento. Consulte la sección *Descripción general del producto en la página*

25 para conocer la ubicación de los amortiguadores de vibraciones en el producto.

1. Detenga el motor.
2. Realice una inspección visual para detectar deformaciones y daños, por ejemplo, grietas.
3. Asegúrese de que los amortiguadores de vibraciones estén fijados correctamente.

Equipo de corte



ADVERTENCIA: Lea atentamente las instrucciones de advertencia siguientes antes de usar el producto.

- Realice el mantenimiento periódico. Permita que un centro de servicio autorizado examine frecuentemente el equipo de corte para realizar ajustes o reparaciones.
 - El rendimiento del equipo de corte aumenta.
 - La vida útil del equipo de corte aumenta.
 - Disminuye el riesgo de accidentes.
- Solamente utilice una protección aprobada para el equipo de corte. Consulte *Accesorios en la página 47*.
- No utilice un equipo de corte dañado.

Cabezal de corte para hierba

- Asegúrese de enrollar el hilo de la recortadora de césped firme y equitativamente alrededor del tambor para disminuir la vibración.
- Utilice solamente cabezales e hilos de corte para hierba aprobados. Consulte *Para recortar el césped en la página 38*.
- Utilice una longitud correcta de hilo para la recortadora. Un hilo largo para la recortadora utiliza más potencia del motor que un hilo corto.
- Asegúrese de que la cortadora en la protección del equipo de corte no está dañada.
- Empape el hilo de la recortadora de césped en agua durante 2 días antes de conectarlo al producto. Esto aumenta la vida útil del hilo de la recortadora de césped.
- Consulte las instrucciones del equipo de corte para usar el procedimiento adecuado para cargar el hilo de la recortadora y su diámetro adecuado.

Seguridad del combustible



ADVERTENCIA: Lea atentamente las instrucciones de advertencia siguientes antes de usar el producto.

- No arranque nunca el producto si derrama combustible sobre este. Seque el derrame y deje que los restos de combustible se evaporen.
- Nunca arranque el producto si ha derramado combustible sobre sí mismo o su ropa. Cámbiese

de ropa y lave la parte de su cuerpo que entró en contacto con el combustible. Utilice jabón y agua.

- Nunca arranque el producto si el producto tiene fugas de combustible. Compruebe regularmente si hay fugas en el tapón y las tuberías de combustible.
- Ponga siempre el producto en una superficie plana y asegúrese de que el equipo de corte no pueda entrar en contacto con algún objeto mientras se agrega combustible.
- Tenga cuidado cuando manipule combustible. Tenga en consideración el riesgo de incendio, explosión e intoxicación respiratoria.
- Tenga precaución al manipular el combustible y asegúrese de que haya buena ventilación. El combustible y sus vapores son altamente inflamables y pueden causar lesiones graves cuando se inhalan o si entran en contacto con la piel.
- Mezcle y vierta el combustible en el exterior, donde no haya chispas ni llamas.
- No fume ni coloque objetos calientes cerca del combustible.
- Siempre detenga el motor y deje que se enfríe durante algunos minutos antes de rellenar con combustible.
- Cuando rellene con combustible, abra el tapón de combustible lentamente para que toda la presión se libere suavemente.
- Apriete el tapón de combustible cuidadosamente después de rellenar con combustible.
- Limpie el área alrededor del tapón de combustible. La contaminación en el depósito puede ocasionar problemas de funcionamiento.
- Siempre mueva el producto 3 m (10 pies) o más lejos de la zona donde de la fuente de combustible y donde rellena con combustible antes de arrancar.

Instrucciones de seguridad para el mantenimiento



ADVERTENCIA: Lea atentamente las instrucciones de advertencia siguientes antes de usar el producto.

- Detenga el motor, asegúrese de que el equipo de corte se detenga y deje que se enfríe antes de realizar el mantenimiento.
- Desconecte el sombrerete de bujía antes de realizar el mantenimiento.
- Los gases de escape del motor contienen monóxido de carbono, un gas inodoro, tóxico y muy peligroso que puede causar la muerte. No arranque el producto en interiores o en espacios cerrados.
- Los gases de escape del motor están calientes y pueden contener chispas. No encienda el producto en interiores ni cerca de materiales inflamables.
- Accesorios y modificaciones en el producto que no estén aprobados por el fabricante pueden causar

lesiones graves o la muerte. No modifique el producto. Siempre utilice accesorios originales.

- Si el mantenimiento no se realiza de manera correcta y regular, aumenta el riesgo de que se produzcan lesiones y que el producto se dañe.
- Solo realice mantenimiento según lo que se indica en este manual de usuario. Solicite que un

Husqvarna taller de servicio realice todos los otros servicios.

- Permita que un taller de servicio Husqvarna aprobado realice trabajos de mantenimiento en el producto con regularidad.
- Cambie las piezas dañadas, desgastadas o rotas.

Montaje

Introducción



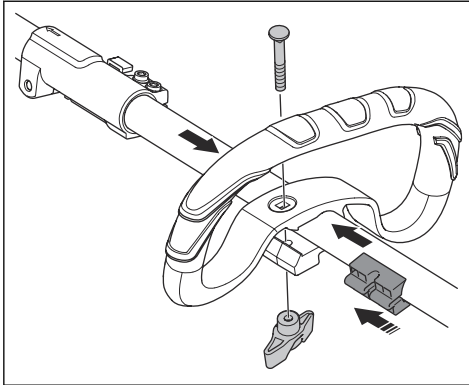
ADVERTENCIA: Antes de montar el producto, debe leer y entender el contenido del capítulo sobre seguridad.



ADVERTENCIA: Retire el cable de la bujía de la bujía antes de montar el producto.

Para conectar el mango cerrado(130L)

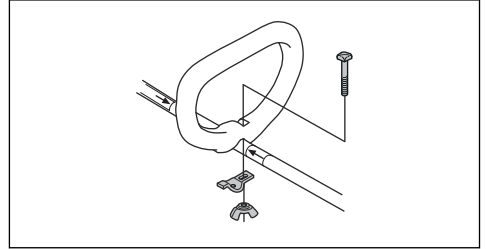
1. Fije el mango cerrado sobre el eje entre las flechas.



2. Mueva el separador en la ranura del mango cerrado.
3. Instale la tuerca, la perilla y el perno. No apriete el perno completamente.
4. Ajuste el producto a una posición cómoda.
5. Apriete el perno.

Para conectar el mango cerrado(130C)

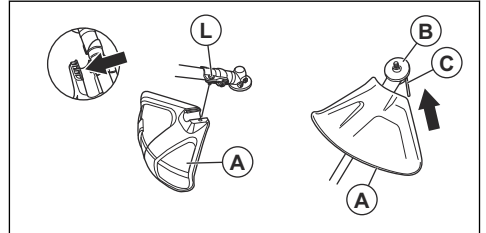
1. Conecte el mango cerrado al eje como se muestra en la ilustración y apriete.



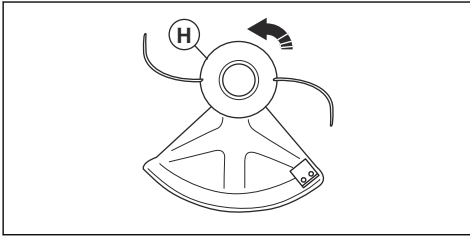
2. Asegúrese de conectar el mango cerrado entre las flechas del eje.

Para conectar la protección del equipo de corte y el cabezal de corte (eje recto)

1. Conecte la protección del equipo de corte (A) al eje con el perno (L).
2. Conecte el disco de arrastre (B) al eje de salida.
3. Gire el eje de salida hasta que el orificio en el disco de arrastre se alinee con el orificio en la caja de engranajes.
4. Coloque un destornillador pequeño (C) en el orificio para bloquear el eje.

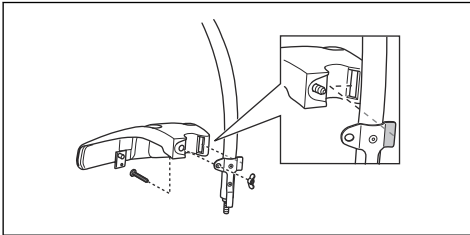


5. Gire el cabezal de corte (H) hacia la izquierda para apretar el cabezal de corte a la caja de cambios. (rosca izquierdas).

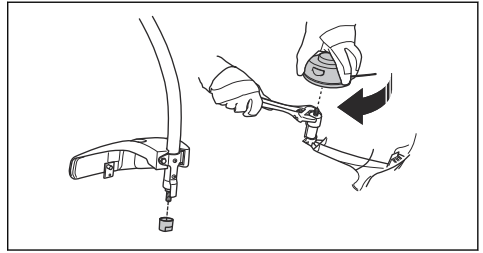


Para conectar la protección del equipo de corte y el cabezal de corte (eje curvado)

1. Fije la protección. Apriete la tuerca.



2. Fije el cubo guardapolvo en el eje.



3. Fije el cubo guardapolvo con una llave ajustable para asegurarse de que el eje no gire.
4. Conecte el cabezal de corte al eje. Gire el cabezal de corte hacia la derecha.

Funcionamiento

Combustible

Este producto tiene un motor de dos tiempos.



AVISO: Usar el tipo incorrecto de combustible puede causar daños en el motor. Utilice una mezcla de gasolina y de aceite para motores de dos tiempos.



AVISO: No utilice gasolina con un octanaje inferior a 90 RON/87 AKI. El uso de gasolina de octanaje inferior puede causar el golpeteo del motor, lo que provoca daños en el motor.

Combustible premezclado

- Utilice combustible de alquilato premezclado Husqvarna para obtener el mejor rendimiento y prolongar la vida útil del motor. Este combustible contiene menos químicos dañinos en comparación con el combustible normal, lo cual disminuye los gases de escape dañinos. La cantidad de restos después de la combustión es menor con este combustible, que mantiene más limpios los componentes del motor.

Para mezclar combustible

Gasolina

- Utilice gasolina sin plomo de buena calidad con un contenido máximo de un 10 % de etanol.

Aceite para motores de dos tiempos

- Para obtener los mejores resultados y el mejor rendimiento, utilice aceite para motores de dos tiempos Husqvarna.
- Si el aceite para motores de dos tiempos Husqvarna no está disponible, utilice un aceite para motores de dos tiempos de buena calidad para motores enfriados por aire. Contáctese con su concesionario de servicio para seleccionar el aceite correcto.



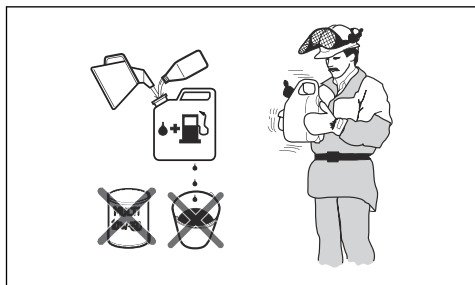
AVISO: No utilice aceite para motores de dos tiempos para motores fueraborda refrigerados por agua, también conocido como aceite para fueraborda. No utilice aceite para motores de cuatro tiempos.

Para mezclar gasolina y aceite para motores de dos tiempos

Gasolina, litros	Aceite para motores de dos tiempos, litro
	2 % (50:1)
5	0,10
10	0,20
15	0,30
20	0,40
Galón estadounidense	Onza líquida EE. UU.
1	2 ½
2 1/2	6 ½
5	12 ¾



AVISO: Los errores pequeños pueden influir drásticamente en la proporción de la mezcla cuando se mezclan cantidades pequeñas de combustible. Mida cuidadosamente la cantidad de aceite y asegúrese de obtener la mezcla correcta.



1. Llene la mitad de la cantidad de gasolina en un recipiente limpio para combustible.
2. Agregue la cantidad total de aceite.
3. Agite la mezcla de combustible.
4. Agregue la cantidad restante de gasolina al recipiente.
5. Agite cuidadosamente la mezcla de combustible.



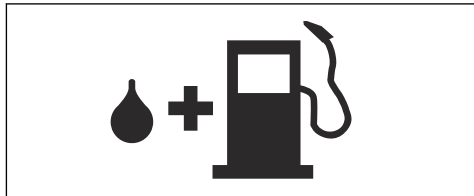
AVISO: No mezcle el combustible durante más de 1 mes cada vez.

Para llenar el depósito de combustible



ADVERTENCIA: Para su seguridad, siga el procedimiento que se indica a continuación.

1. Detenga el motor y deje que se enfríe.
2. Limpie el área alrededor del tapón del depósito de combustible.



3. Agite el recipiente y asegúrese de que el combustible esté totalmente mezclado.
4. Retire lentamente la tapa del depósito de combustible para liberar la presión.
5. Llene el depósito de combustible.



AVISO: Asegúrese de que el depósito de combustible no esté demasiado lleno. El combustible se expande cuando se calienta.

6. Apriete bien la tapa del depósito de combustible cuidadosamente.
7. Limpie los derrames de combustible en el producto y los alrededores.
8. Antes de arrancarlo, aleje el producto 3 m/10' o más del área de recarga de combustible y de la fuente de combustible.

Tenga en cuenta: Para conocer la ubicación del depósito de combustible en el producto, consulte *Introducción en la página 25*.

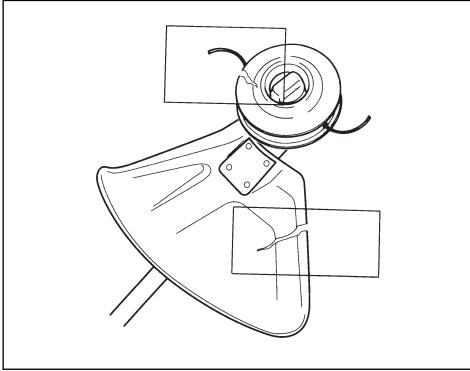
Haga lo siguiente antes de usar el producto



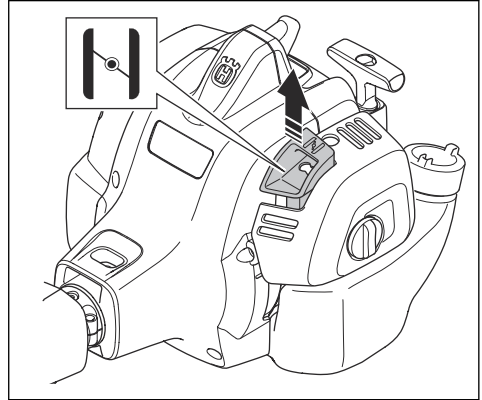
ADVERTENCIA: No utilice el producto sin una protección o con una protección dañada.

- Examine la zona de trabajo para asegurarse de conocer el tipo de terreno. Examine la pendiente de la tierra y observe si hay obstáculos como piedras, ramas y zanjas.
- Realice una inspección del producto.
- Realice las inspecciones de seguridad, mantenimiento y servicio que se indican en este manual.

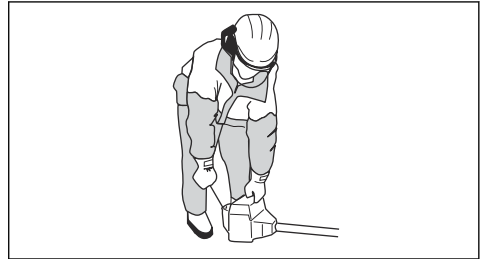
- Asegúrese de que todas las cubiertas, la protección del equipo de corte y el cabezal de corte estén montados correctamente y no estén dañados. Cambie las piezas dañadas.



2. Coloque el estrangulador en la posición de estrangulamiento completa.

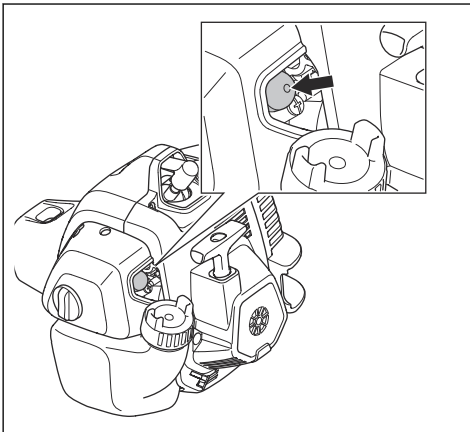


3. Mantenga el producto en el suelo con la mano. No se pare sobre el producto.



Para arrancar un motor frío

1. Presione el bulbo de la bomba de combustible de aire 10 veces.



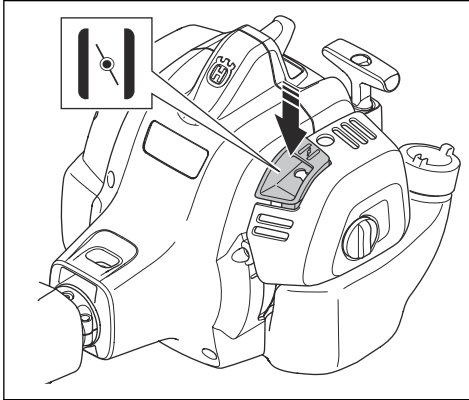
ADVERTENCIA: No tire del acelerador cuando arranque el motor.

4. Tire de la empuñadura de la cuerda de arranque tres veces con fuerza.



AVISO: No tire de la cuerda de arranque hasta que se detenga. No suelte la cuerda de arranque cuando esté totalmente extendida. Suelte la cuerda de arranque lentamente. Si no se siguen estas instrucciones, se pueden producir daños en el motor.

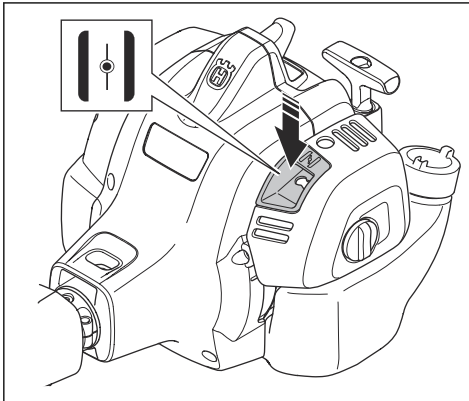
5. Empuje el estrangulador hacia abajo hasta la posición de estrangulamiento media en el centro.



6. Tire de la empuñadura de la cuerda de arranque hasta que el motor arranque.

Tenga en cuenta: Si el motor no arranca, realice el procedimiento de arranque desde el paso 1.

7. Deje que el motor se caliente durante 10 segundos.
8. Empuje el estrangulador completamente hacia abajo a la posición de estrangulamiento apagada.



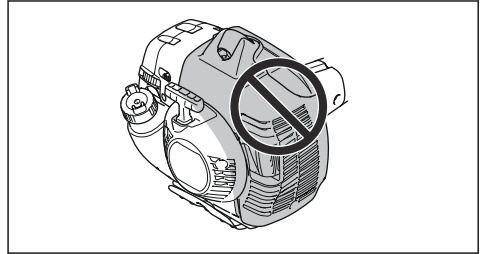
Para arrancar un motor caliente

1. Mueva la palanca del estrangulador a la posición FULL CHOKE (Estrangulador totalmente abierto).
2. Mueva la palanca del estrangulador a la posición HALF CHOKE (Estrangulador en posición media).
3. Tire de la empuñadura de la cuerda de arranque rápidamente hasta que arranque el motor.
4. Mueva la palanca del estrangulador a la posición NO CHOKE (Estrangulador apagado).

Información sobre la superficie



ADVERTENCIA: No coloque ninguna parte de su cuerpo en el área marcada. Si toca el área marcada en gris puede sufrir quemaduras en la piel. También puede provocar una sacudida eléctrica si el sombrerete de bujía ha sido dañado. No utilice un producto con un sombrerete de bujía dañado.



Para arrancar el motor cuando el combustible está demasiado caliente

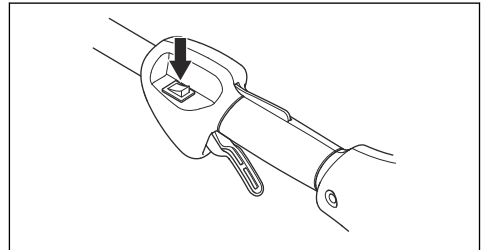
Si el producto no arranca, el combustible puede estar demasiado caliente.

Tenga en cuenta: Siempre utilice combustible nuevo y disminuya el tiempo de funcionamiento durante clima cálido.

1. Coloque el producto en un área fresca lejos de la luz solar directa.
2. Permita que el producto se enfríe durante 20 minutos como mínimo.
3. Presione el bulbo de la bomba de combustible repetidamente entre 10 y 15 segundos.
4. Obedezca el procedimiento para arrancar un motor frío. Consulte *Para arrancar un motor frío en la página 36*.

Para detener el producto

- Presione el interruptor de detención para detener el motor.

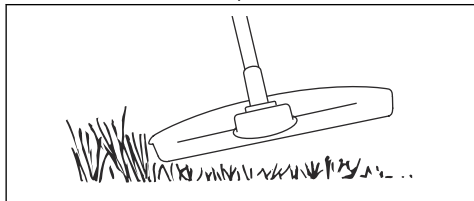


Tenga en cuenta: El interruptor de detención regresa automáticamente a su posición inicial.

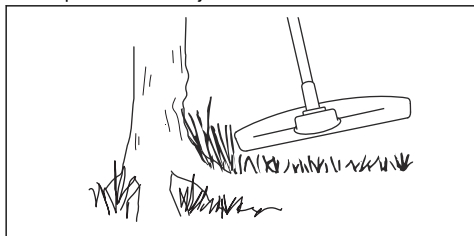
Recorte de césped con cabezal de corte

Para recortar el césped

1. Sostenga el cabezal de corte inmediatamente sobre el nivel del suelo en un ángulo. No presione el hilo de la recortadora de césped contra este último.

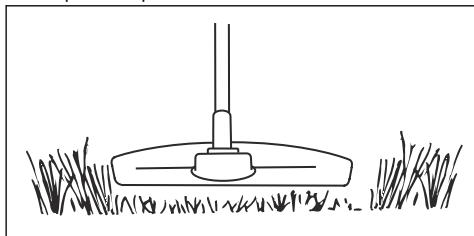


2. Disminuya la longitud del hilo de la recortadora entre 10 y 12 cm/4 y 4,75".
3. Disminuya el régimen del motor para reducir el riesgo de dañar las plantas.
4. Use una aceleración de un 80 % cuando corte el césped cerca de objetos.



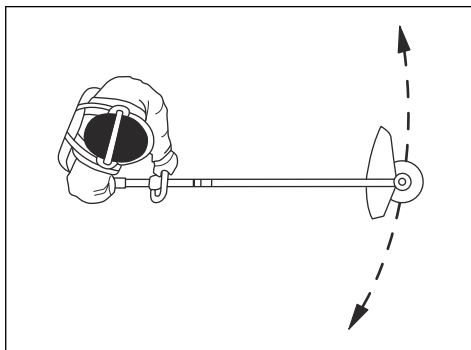
Para cortar el césped

1. Asegúrese de que el hilo de la recortadora de césped esté paralelo al suelo cuando corte.



2. No presione el cabezal de corte contra el suelo. Esto puede provocar daños al producto.

3. Mueva el producto de un lado a otro cuando corte. Utilice la máxima velocidad.



Para barrer el césped

El flujo de aire del hilo giratorio de la recortadora puede usarse para eliminar el césped cortado de una zona.

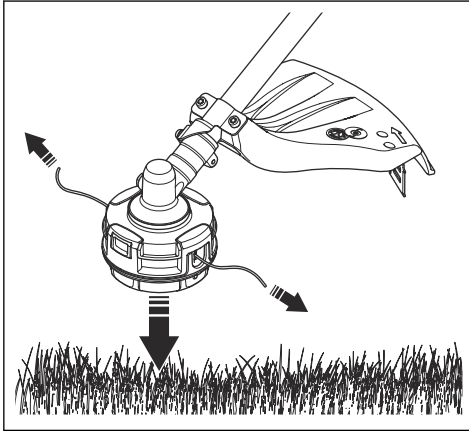
1. Mantenga el cabezal de corte y el hilo de la recortadora paralelos al suelo y por sobre él.
2. Acelere al máximo.
3. Mueva el cabezal de corte de lado a lado y barra la hierba.



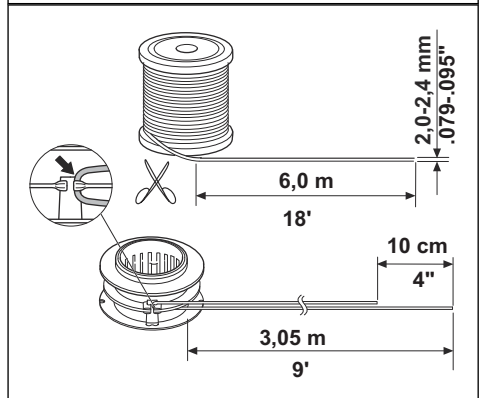
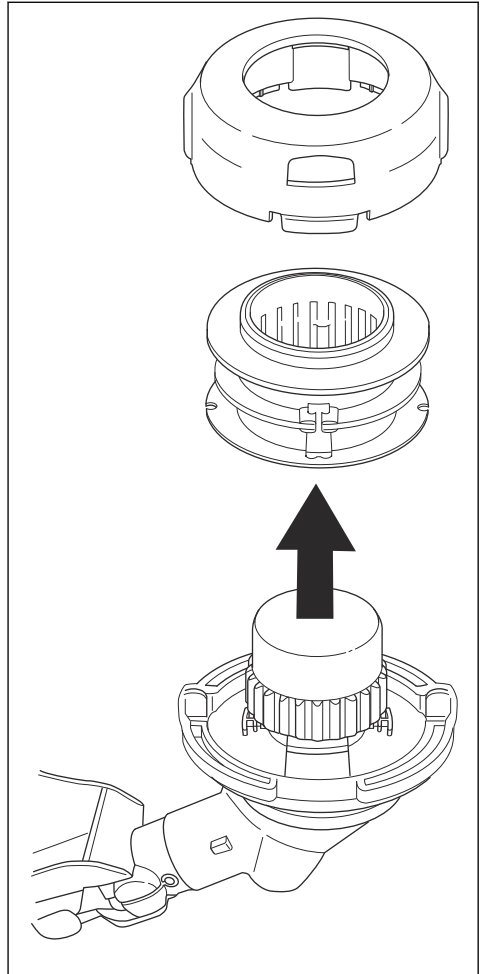
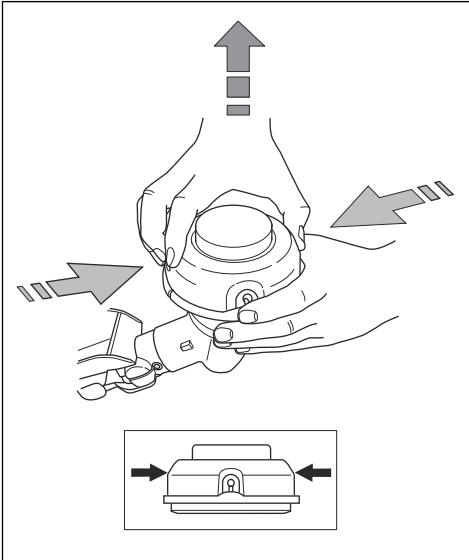
ADVERTENCIA: Limpie la cubierta del cabezal de corte cada vez que monte el nuevo hilo de la recortadora para evitar desestabilizaciones y vibraciones en los manillares. También realice una comprobación de las demás piezas del cabezal de corte y límpielo si es necesario.

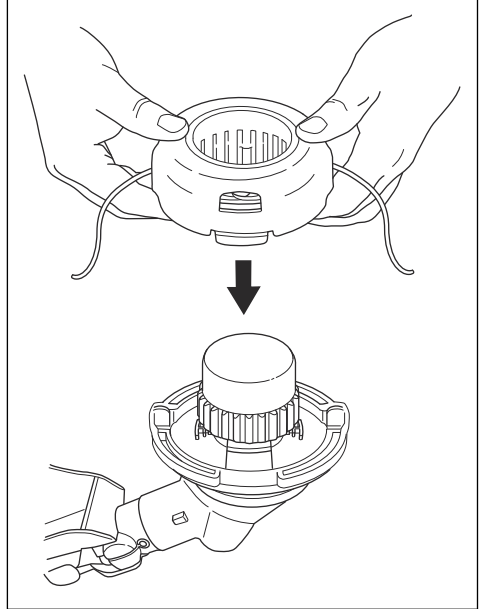
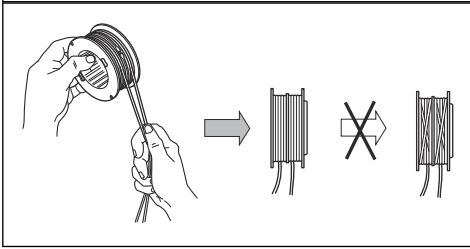
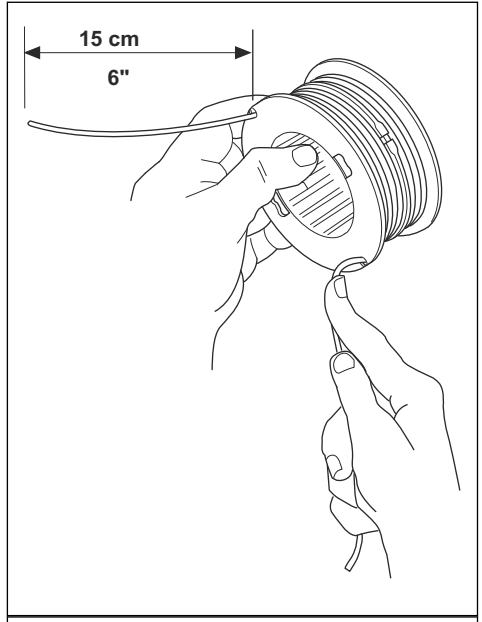
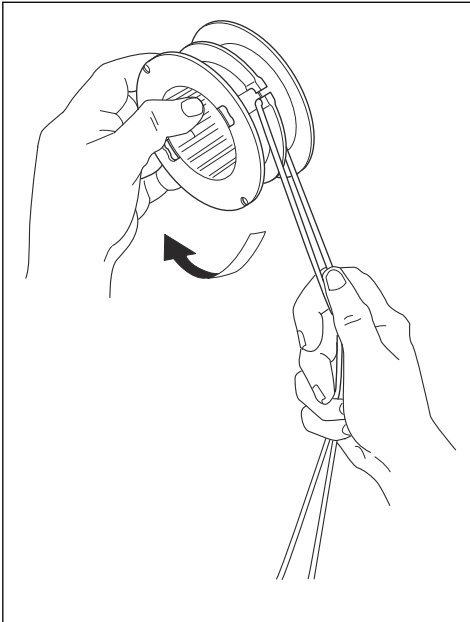
Para extender el hilo de la recortadora

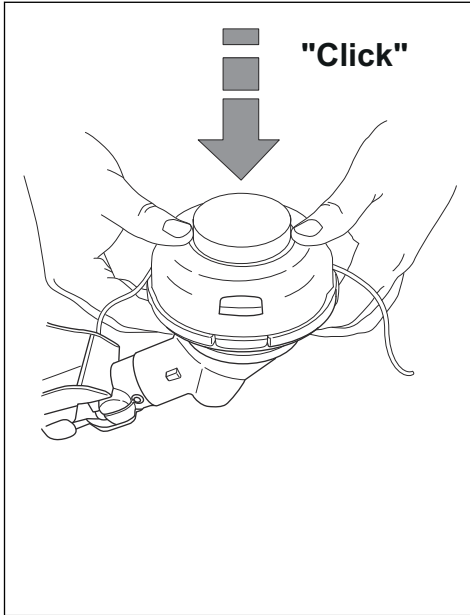
- Si el hilo de la recortadora se queda corto durante el funcionamiento, toque el cabezal de corte en una superficie sólida y plana para extender más el hilo. Debe operar el producto a máxima velocidad para obtener el mejor resultado.



Para sustituir el hilo de la recortadora 130C

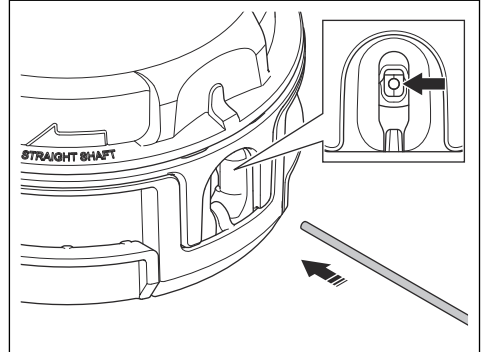






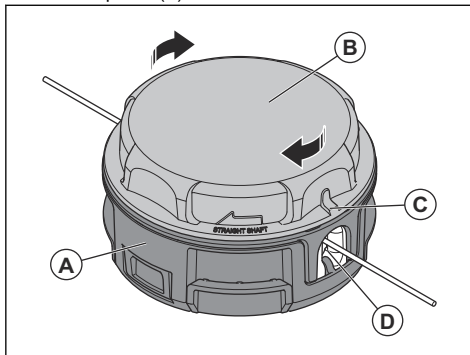
Tenga en cuenta: Cuando gire la mitad superior del cabezal de corte, escuchará un clic.

2. Continúe girando la mitad superior del cabezal de corte hasta que el triángulo (C) se alinee con el orificio (D).
3. Retire y deseche el hilo restante de la recortadora.
4. Corte aproximadamente 6,7 m (22 pies) del nuevo hilo de la recortadora.
5. Coloque un extremo del hilo de la recortadora en uno de los orificios.

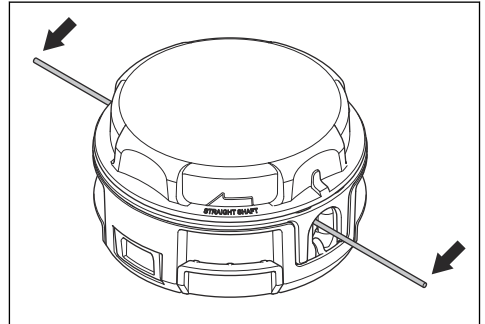


Para sustituir el hilo de la recortadora (130L)

1. Sujete la mitad inferior (A) del cabezal de corte con una sola mano. Utilice la mano contraria para girar la mitad superior (B) del cabezal de corte.



6. Inserte el hilo de la recortadora a través del cabezal de corte y a través del orificio opuesto.

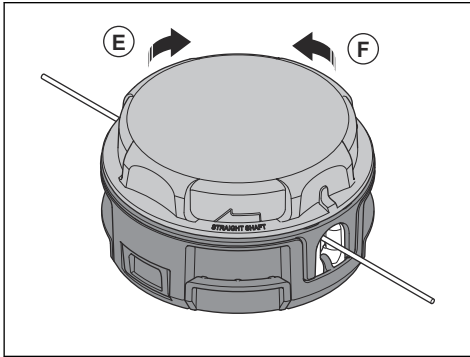


7. Tire el hilo de la recortadora a través del cabezal de corte hasta que haya una longitud igual de hilo de la recortadora en cada lado.

- a) Para recortadoras de césped con eje recto, gire la mitad superior del cabezal de corte en el sentido de las agujas del reloj.
- b) Para recortadoras de césped con eje curvo, gire la mitad superior del cabezal de corte en el sentido contrario a las agujas del reloj.

Tenga en cuenta: No es necesario empujar la mitad superior del cabezal de corte hacia abajo cuando la gire.

8. Sujete la mitad inferior del cabezal de corte de manera estable con una sola mano. Utilice la mano contraria para girar la mitad superior del cabezal de corte. Continúe girando la mitad superior del cabezal de corte hasta que se hayan extendido aproximadamente 127 mm (5 in) de hilo de la recortadora desde cada orificio.

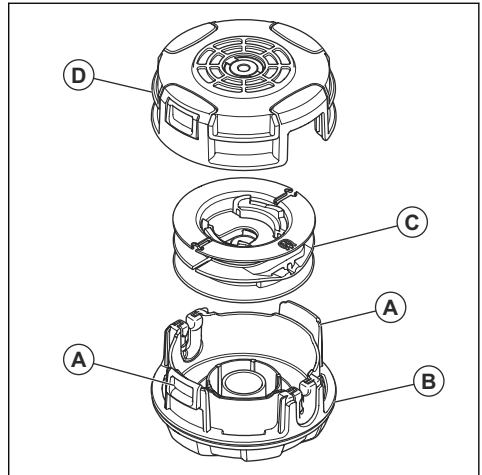


- Para recortadoras de césped con eje recto, gire la mitad superior (E) del cabezal de corte en el sentido de las agujas del reloj.
- Para recortadoras de césped con eje curvo, gire la mitad superior (F) del cabezal de corte en el sentido contrario a las agujas del reloj.

Tenga en cuenta: Si el hilo de la recortadora es demasiado largo en uno de los lados del cabezal de corte, corte el hilo hasta la longitud correcta.

Para inspeccionar y limpiar el cabezal de corte 130L

- Presione las pestañas (A) para retirar la mitad inferior (B) del cabezal de corte.



- Retire el carrete (C).
- Retire y deseche cualquier trozo de hilo de la recortadora y cualquier material no deseado del cabezal de corte y del carrete.
- Coloque el carrete en la mitad inferior.
- Acople la mitad superior (D). Asegúrese de que todas las piezas estén bien alineadas y en la posición correcta.
- Gire el cabezal de corte ensamblado con la mano. Asegúrese de que las mitades superior e inferior estén cerradas por completo y que las pestañas estén completamente conectadas.
- Para sustituir el hilo de la recortadora, consulte *Para sustituir el hilo de la recortadora (130L) en la página 41*.

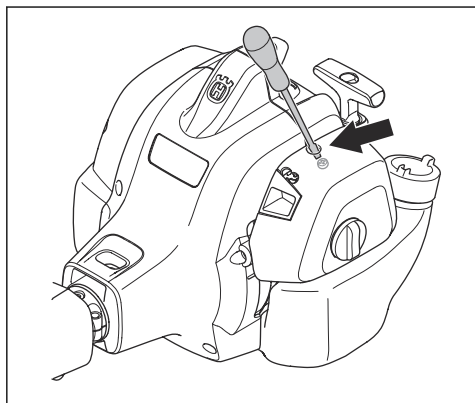
Mantenimiento

Para ajustar el régimen de ralentí

El producto Husqvarna está fabricado de conformidad con especificaciones que reducen las emisiones de gases de escape tóxicos.

- Asegúrese de que el filtro de aire esté limpio y de que tenga la cubierta del filtro instalada.

2. Gire el tornillo de régimen de ralentí (T) hacia la izquierda hasta que el equipo de corte comience a moverse.



3. Gire el tornillo de régimen de ralentí (T) hacia la izquierda hasta que el equipo de corte se detenga.

El régimen de ralentí es el correcto cuando el motor funciona correctamente en todas las posiciones. El régimen de ralentí debe ser inferior a la velocidad cuando el equipo de corte empiece a girar.

Tenga en cuenta: Consulte *Datos técnicos* en la página 47 para conocer el régimen de ralentí recomendado.



ADVERTENCIA: Si el equipo de corte no se detiene cuando ajusta el régimen de ralentí, consulte con su concesionario de mantenimiento. No utilice la máquina hasta que esté correctamente ajustada o reparada.

Para revisar el silenciador



ADVERTENCIA: No utilice un producto que tenga un silenciador dañado.



ADVERTENCIA: No utilice el producto si falta la rejilla apagachispas en el silenciador o si está dañada.



ADVERTENCIA: El silenciador se calienta mucho durante el funcionamiento y después de este, así como en el régimen de ralentí. Utilice guantes protectores para evitar quemaduras.

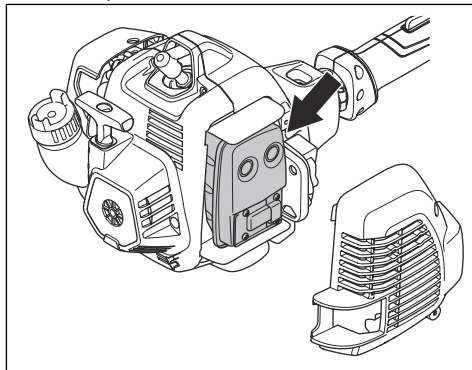
El silenciador mantiene los niveles de ruido al mínimo y dirige los gases de escape lejos del operador.

1. Detenga el motor.
2. Verifique si el silenciador está dañado.

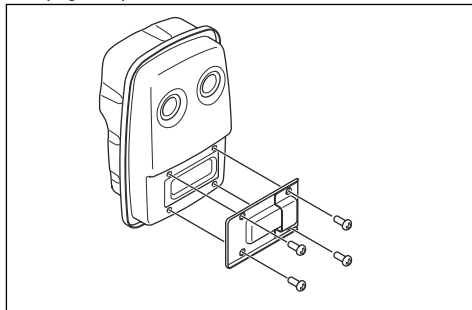


ADVERTENCIA: Las superficies internas del silenciador contienen sustancias químicas que pueden causar cáncer. Tenga cuidado de no tocar estos elementos si el silenciador presenta daños.

3. Asegúrese de que el silenciador esté correctamente unido al producto.



4. Realice una inspección visual de la rejilla apagachispas.



- a) Cambie la rejilla apagachispas si está dañada.
- b) Limpie la rejilla apagachispas si está bloqueada.



AVISO: Si se bloquea la rejilla apagachispas, el producto se sobrecalienta y esto provoca daños al cilindro y al pistón.

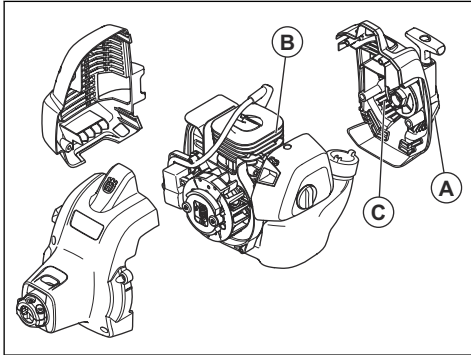
Para limpiar el sistema de refrigeración



AVISO: Un sistema refrigerante sucio o bloqueado puede producir el sobrecalentamiento del producto, y dañarlo.

Las piezas del sistema refrigerante son la toma de aire del motor de arranque (A), las aletas de refrigeración del cilindro (B) y la cubierta del cilindro (C).

1. Limpie el sistema de refrigeración con un cepillo semanalmente o con mayor frecuencia si es necesario.



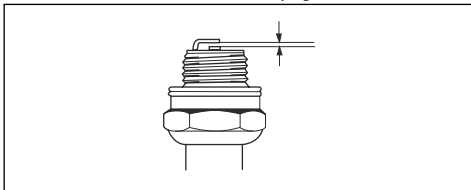
2. Asegúrese de que el sistema refrigerante no esté sucio ni obstruido.

Para examinar la bujía



AVISO: Utilice siempre el tipo de bujía recomendada. El tipo de bujía incorrecto puede causar daños en el producto.

- Examine la bujía si el motor tiene una potencia demasiado baja, no arranca fácilmente o no funciona correctamente al régimen de ralentí.
- Para disminuir el riesgo de material no deseado en los electrodos de la bujía, siga estas instrucciones:
 - a) Asegúrese de que el régimen de ralentí esté ajustado correctamente.
 - b) Asegúrese de que la mezcla de combustible es la correcta.
 - c) Asegúrese de que el filtro de aire esté limpio.
- Si la bujía está sucia, límpiela y asegúrese de que la distancia entre los electrodos sea la correcta, consulte *Datos técnicos en la página 47*.



- Reemplace la bujía si es necesario.

Filtro de aire

Retire el polvo y la suciedad del filtro de aire para mantenerlo limpio y evitar los siguientes problemas:

- Fallas del carburador

- Problemas cuando se arranca el producto
- Pérdida de energía
- Aumento del desgaste de las piezas del motor
- Demasiado consumo de combustible

Para limpiar el filtro de aire

1. Quite la cubierta del filtro de aire y retire el filtro.
2. Golpee el filtro contra una superficie plana para que caigan las partículas.



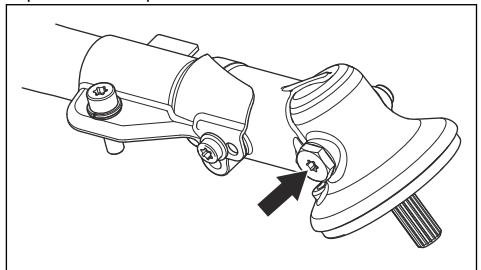
AVISO: No utilice disolventes ni aire comprimido para limpiar el filtro de aire.

3. Vuelva a colocar el filtro de aire. Asegúrese de que el filtro de aire se selle bien en el soporte del filtro de aire.
4. Vuelva a colocar la cubierta del filtro de aire.

Tenga en cuenta: Si un filtro de aire se ha utilizado durante mucho tiempo, nunca quedará completamente limpio. Reemplace el filtro de aire a intervalos regulares. Siempre reemplace un filtro de aire dañado.

Engranaje angulado 130L

Durante su fabricación, el engranaje angulado se llena con una cantidad suficiente de grasa. Pero, antes de utilizar la máquina, asegúrese de que el engranaje angulado esté lleno 3/4 con grasa. Utilice la grasa especial de Husqvarna.



Normalmente, no es necesario cambiar la grasa en el engranaje angulado, excepto si se realizan reparaciones.

Programa de mantenimiento

La siguiente es una lista de pasos de mantenimiento que se deben realizar en el producto. La mayoría de los puntos se describen en *Mantenimiento en la página 42*

Tenga en cuenta: El usuario solo debe llevar a cabo el trabajo de mantenimiento y servicio descrito en este manual de usuario. Un taller de servicio autorizado se debe encargar de realizar una labor más amplia.

Mantenimiento	A diario	Una vez por semana	Una vez al mes
Limpie la superficie externa.	X		
Asegúrese de que el bloqueador del acelerador y el acelerador funcionen correctamente en términos de seguridad.	X		
Verifique el interruptor de detención para asegurarse de que funcione correctamente.	X		
Asegúrese de que el equipo de corte no gire en régimen de ralentí.	X		
Limpie el filtro de aire. Cámbielo si fuera necesario.	X		
Examine la protección del equipo de corte en busca de daños y grietas. Reemplace la protección si se ha golpeado o está agrietada.	X		
Revise el cabezal de corte en busca de daños y grietas. Sustitúyalo si está dañado.	X		
Asegúrese de que las tuercas y los tornillos estén apretados.	X		
Examine el motor, el depósito de combustible y los conductos de combustible para determinar si hay fugas.	X		
Limpie el sistema de refrigeración.		X	
Examine el arranque y la cuerda de arranque en busca de daños.		X	
Examine los aisladores de vibraciones en busca de daños y grietas.		X	
Limpie el lado exterior de la bujía. Retírela y revise la distancia entre los electrodos. Ajuste la distancia a la distancia correcta (consulte <i>Para examinar la bujía en la página 44</i>) o reemplace la bujía. Asegúrese de que la bujía está equipada con un regulador.		X	
Limpie el exterior del carburador y el espacio que lo rodea.		X	
Verifique el engranaje angulado para asegurarse de que está lleno tres cuartos con lubricante. Utilice grasa especial para llenar si es necesario.		X	
Limpie o cambie la red apagachispas del silenciador (solo se aplica al silenciador sin catalizador).		X	
Verifique si hay contaminación del filtro de combustible y si hay grietas u otros daños en la manguera de combustible (130L (LT13028CSHV). Cámbielos si fuera necesario.			X
Revise todos los cables y las conexiones.			X
Revise si el embrague, los muelles de embrague y el tambor de embrague presentan desgaste. Reemplácelos si es necesario en un taller de servicio autorizado.			X
Reemplace la bujía. Asegúrese de que la bujía está equipada con un regulador.			X
Revise y limpie la red apagachispas del silenciador (solo se aplica al silenciador sin catalizador).			X

Solución de problemas

El motor no arranca

Verificar	Causa posible	Procedimiento
Ganchos de arranque	Los ganchos de arranque no se pueden mover libremente.	Retire la cubierta del arranque y limpie alrededor de los ganchos de arranque.
		Permita que un taller de servicio aprobado lo ayude.
Depósito de combustible	Tipo de combustible incorrecto	Vacíe el depósito de combustible y llénelo con combustible correcto.
Bujía	La bujía está sucia o mojada.	Asegúrese de que la bujía esté limpia y seca.
	La distancia entre los electrodos de la bujía es incorrecta.	Limpie la bujía. Asegúrese de que la distancia entre los electrodos sea la correcta. Asegúrese de que la bujía está equipada con un supresor.
		Consulte los datos técnicos para comprobar la distancia entre los electrodos.
	La bujía está floja.	Ajuste la bujía.

El motor arranca, pero se detiene de nuevo.

Verificar	Causa posible	Procedimiento
Depósito de combustible	Tipo de combustible incorrecto	Vacíe el depósito de combustible y rellénelo con el combustible correcto.
Filtro de aire.	El filtro de aire está obstruido.	Limpie el filtro de aire.

Transporte y almacenamiento

Transporte y almacenamiento

- Para el almacenamiento y el transporte del producto y del combustible, asegúrese de que no haya fugas o vapores. Las chispas o llamas, por ejemplo, de dispositivos eléctricos o calderas, pueden iniciar un incendio.
- Siempre use contenedores aprobados para el almacenamiento y el transporte del combustible.
- Vacíe el depósito de combustible antes del transporte o de un almacenamiento prolongado.

- Deseche el combustible en un lugar adecuado para tal propósito.
- Utilice protección para transportes en el producto para evitar lesiones o daños en el producto. Una cuchilla que no se mueve también puede provocar lesiones graves.
- Quite el sombrerete de bujía de la bujía.
- Fije el producto de manera segura durante el transporte.

Datos técnicos

Datos técnicos

	130C (LT13028CCHV)	130L (LT13028CSHV)
Motor		
Cilindrada, cm ³ /pulg. cúb.	28/1,7	28/1,7
Régimen de ralentí, rpm	2800-3200	2800-3200
Velocidad máxima recomendada, rpm	8000	8000
Velocidad de eje de salida, rpm	8000	5472
Potencia máx. del motor, según la norma ISO 8893, kW/hp a rpm	0,7/1,0 a 8000	0,7/1,0 a 8000
Silenciador con catalizador	Sí	Sí
Sistema de encendido		
Bujía	Champion QCJ-8Y	Champion QCJ-8Y
Distancia entre los electrodos, mm/pulg.	0,6/0,024	0,6/0,024
Combustible y sistema de lubricación		
Capacidad del depósito de combustible, l/pinta EE. UU.	0,5/1,12	0,5/1,12
Peso		
Sin combustible, equipo de corte y protección, kg/lb	5,0/11,0	5,0/11,0

Accesorios

Accesorios

Los accesorios utilizados en combinación con los cabezales especificados han sido sometidos a evaluaciones según los requisitos de seguridad ANSI B175.3-2019 para recortadoras de césped y desbrozadoras. Intertek ha evaluado estas combinaciones y, en consecuencia, se han incluido en la lista ETL.

130C		
Accesorios aprobados	Tipo	Protección del accesorio de corte, n.º de artículo
Rosca del eje de la cuchilla de 3/8 R		
Cabezal de corte	RapidReplace™, T25, T35 (hilo de corte de 2,03 a 2,67 mm / de 0,080 a 0,105 in)	531 12 79-13

130L		
Accesorios aprobados	Tipo	Protección del accesorio de corte, n.º de artículo
Rosca del eje de la cuchilla M10		
Cabezal de corte	RapidReplace™, T25, T35 (hilo de corte de 2,03 a 2,67 mm / de 0,080 a 0,105 in)	501 13 67-03

Se recomienda el uso los accesorios en combinación con los cabezales especificados, ya que este uso ha sido sometido a evaluaciones para cumplir los estándares de exigencia de seguridad ISO y EN por el Instituto Sueco de Pruebas de Maquinaria.

Table des matières

Introduction.....	49	Dépannage.....	70
Sécurité.....	51	Transport et entreposage.....	71
Montage.....	57	Caractéristiques techniques.....	71
Fonctionnement.....	58	Accessoires.....	72
Entretien.....	66		

Introduction

Description du produit

Le produit est un coupe-herbe avec moteur à combustion.

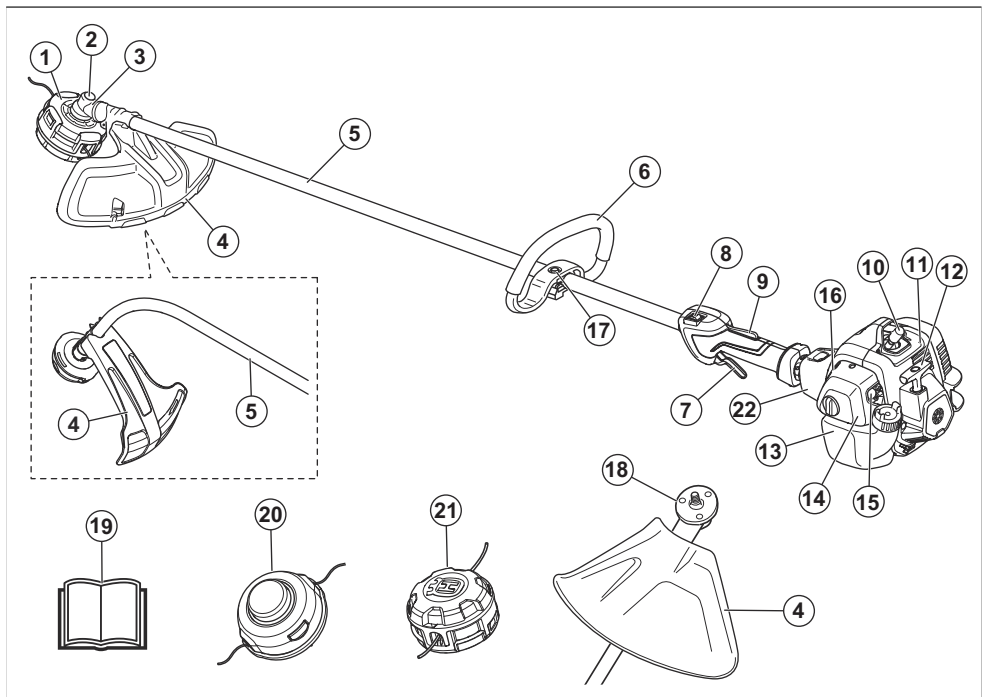
Utilisation prévue

Le produit est utilisé avec une tête de coupe pour couper l'herbe. Ne pas utiliser le produit pour des tâches autres que la coupe d'herbe.

Remarque : Les réglementations nationales peuvent limiter l'utilisation du produit.

Utilisez la machine seulement avec des accessoires homologués par le fabricant. Se reporter à *Accessoires à la page 72*.

Présentation de l'appareil



- 1. Tête de désherbage
- 2. Bouchon de remplissage de graisse
- 3. Renvoi d'angle
- 4. Dispositif de protection de l'outil de coupe

- 5. Arbre
- 6. Poignée de boucle
- 7. Gâchette d'accélération
- 8. Interrupteur d'arrêt

9. Dispositif de verrouillage de la gâchette d'accélération
10. Capuchon de bougie et bougie d'allumage
11. Couvreclé de vérin
12. Corde du lanceur
13. Réservoir de carburant
14. Couvercle du filtre à air
15. Pompe de purge d'air
16. Commande de l'étrangleur
17. Ajustement du guidon
18. Disque d'entraînement
19. Manuel d'utilisation
20. Tête de désherbage 130L
21. Tête de désherbage 130C
22. Système antivibrations

Symboles figurant sur le produit



AVERTISSEMENT! Faire attention et utiliser le produit correctement. Ce produit peut causer des blessures graves, voire mortelles, à l'opérateur ou à d'autres personnes.



Lire soigneusement le manuel d'instructions et veiller à bien comprendre les directives avant d'utiliser cette machine.



Porter un dispositif de protection homologué pour les oreilles. Utilisez des protections homologuées pour les yeux.



Utilisez des gants de protection homologués.



Utiliser des bottes antidérapantes robustes.



Prendre soin de retenir les cheveux longs au-dessus des épaules



L'appareil peut projeter des objets, ce qui peut causer des blessures.



Vitesse de rotation maximale de l'arbre de sortie.



Tenir les personnes et les animaux à une distance minimale de quinze mètres pendant l'utilisation de l'appareil.



Utiliser seulement du fil de coupe flexible. N'utilisez pas d'équipement de coupe de métaux pour la tonte de l'herbe.



Les flèches indiquent la limite de position du guidon.



Pompe à carburant.



Volet de départ.




Carburant.

yyyywwxxxx

La plaque signalétique indique le numéro de série. **yyyy** représente l'année de production, **ww** indique la semaine de production.

Remarque : Les autres symboles/autocollants présents sur le produit concernent des exigences de certification spécifiques à certains marchés.

EPA III

EMISSION CONTROL INFORMATION	
THIS ENGINE MEETS EXH AND EVP EMISSIONS REGULATIONS FOR [-----] SMALL OFF ROAD ENGINES	
FAMILY/DISP [-----]	
PLT # [-----]	SKU # [-----]
EMISSION COMPLIANCE PERIOD [-----]	
	
SN: [-----]	
REFER TO OWNER'S MANUAL FOR MAINTENANCE SPECIFICATIONS AND ADJUSTMENTS.	

La période de conformité aux normes d'émissions indiquée sur les étiquettes de conformité aux normes d'émissions se rapporte au nombre d'heures de fonctionnement du moteur qui répond aux exigences fédérales en matière d'émissions. N'importe quel

établissement ou agent de réparation de moteur non routier peut effectuer l'entretien, le remplacement et la réparation des dispositifs et du système de contrôle des émissions.

ABRÉVIATIONS SUR LES ÉTIQUETTES DU SYSTÈME DE CONTRÔLE DES ÉMISSIONS					
Généralités :					
EXH/EVP	Échappement et évaporation	REGS	Règlements	DISPL	Cylindrée
EVAP	Évaporation	SORE	Petits moteurs hors route	ECS	Système de contrôle des émissions
HRS	Heures	US EPA	Office de protection de l'environnement des États-Unis		

Système de contrôle des émissions d'échappement :			
ECM	Module de commande du moteur (Autotune)	OC	Catalyseur oxydant
EM	Modification du moteur	TWC	Catalyseur trifonctionnel

Systèmes de contrôle des émissions par évaporation :			
C	Coextrudé (multi-couche)	P	Polyéthylène ou polyéthylène haute densité traité
N	Nylon	S	Fermé hermétiquement

Produit endommagé

Nous ne sommes pas responsables des dommages causés à notre produit si :

- Le produit n'est pas réparé de façon adéquate.
- Le produit est réparé avec des pièces qui ne sont pas fournies ou homologuées par le fabricant.
- Le produit comprend un accessoire qui n'est pas fourni ou homologué par le fabricant.
- Le produit n'est pas réparé par un centre de service après-vente agréé ou par une autorité homologuée.

Sécurité

Définitions relatives à la sécurité

Les avertissements, recommandations et remarques soulignent des points du manuel qui revêtent une importance particulière.



AVERTISSEMENT : Indique la présence d'un risque de blessure ou de décès de l'utilisateur ou de personnes à proximité si les instructions du manuel ne sont pas suivies.



MISE EN GARDE : Indique la présence d'un risque de dommages au produit, à d'autres appareils ou à la zone adjacente si les instructions du manuel ne sont pas suivies.

Remarque : Utilisé pour donner des renseignements plus détaillés qui sont nécessaires dans une situation donnée.

Consignes générales de sécurité



AVERTISSEMENT : Lire les messages d'avertissement qui suivent avant d'utiliser l'outil.

- Une scie d'éclaircissement, un coupe-herbes ou un taille-haie peuvent être dangereux s'ils sont utilisés avec négligence ou de manière incorrecte et peuvent entraîner des blessures graves ou mortelles pour l'opérateur ou d'autres personnes. Il est extrêmement important de lire et de comprendre le contenu de ce manuel de l'opérateur.

- La conception du produit ne peut en aucun cas être modifiée sans l'autorisation du fabricant. Ne jamais utiliser un produit qui a été modifié de quelque manière que ce soit par rapport aux spécifications d'origine et toujours utiliser des accessoires d'origine. Les modifications et/ou les accessoires non autorisés peuvent entraîner des blessures graves ou la mort de l'opérateur ou d'autres personnes.
- L'intérieur du silencieux contient des produits chimiques pouvant être cancérigènes. Éviter tout contact avec ces éléments si le silencieux est endommagé.
- Ce produit produit un champ électromagnétique pendant le fonctionnement. Ce champ magnétique peut, dans certains cas, nuire aux implants médicaux actifs ou passifs. Pour réduire le risque de blessures graves ou mortelles, nous recommandons aux personnes ayant des implants médicaux de consulter leur médecin et le fabricant de l'implant médical avant d'utiliser le produit.
- Ne jamais utiliser le produit sous l'effet de la fatigue, sous l'influence de l'alcool, de drogues, de médicaments ou de toute substance qui pourrait affecter la vision, l'attention, la coordination des gestes ou le jugement.
- Ne pas utiliser le produit par mauvais temps, y compris dans un brouillard épais, sous une pluie diluvienne, dans des endroits fortement venteux et en cas de froid intense, etc. Travailler par mauvais temps est éprouvant et ajoute des risques comme un sol glissant et la difficulté de prévoir le sens de chute, etc.
- Les seuls accessoires qui peuvent être utilisés avec cette unité à moteur sont les outils de coupe recommandés. Se reporter à *Accessoires à la page 72*.
- Ne jamais laisser des enfants utiliser le produit ou se tenir à proximité de celui-ci. Puisque le produit est équipé d'un interrupteur de marche-arrêt à ressort et peut être démarré à bas régime ou en exerçant une légère force sur la poignée du lanceur, même des jeunes enfants dans certaines circonstances peuvent produire la force nécessaire pour démarrer le produit. Cela peut entraîner un risque de blessure grave. Par conséquent, retirer le capuchon de bougie d'allumage lorsque le produit n'est pas sous une surveillance stricte.

Sécurité en matière de vibrations

Ce produit est réservé à un usage occasionnel. L'utilisation continue ou fréquente de l'outil peut entraîner le syndrome du « doigt mort » ou d'autres problèmes médicaux équivalents à cause des vibrations. Examiner souvent l'état de vos mains et de vos doigts si l'outil est utilisé de façon continue ou fréquente. Si vos mains ou vos doigts présentent une décoloration, sont douloureux, picotent ou sont engourdis, cesser de travailler et consulter un médecin immédiatement.

Instructions de sécurité pour l'utilisation



AVERTISSEMENT : Lire les messages d'avertissement qui suivent avant d'utiliser le produit.

- Il est essentiel de comprendre la différence entre le débroussaillage et le désherbage avant d'utiliser l'outil.
- Il est recommandé de consulter un expert en cas de doute. Communiquer avec votre concessionnaire ou votre atelier d'entretien. Éviter toutes les utilisations qui vous semblent difficiles.
- Ne jamais utiliser un appareil défectueux. Effectuer les vérifications de sécurité, les réparations et l'entretien conformément aux instructions fournies dans ce manuel. Certaines réparations et tâches d'entretien doivent être effectuées par des spécialistes formés et qualifiés. Se reporter à *Entretien à la page 66*.
- Tous les couvercles, toutes les protections et toutes les poignées doivent être montés avant de démarrer le produit. S'assurer que le capuchon de la bougie d'allumage et le fil d'allumage ne sont pas endommagés, afin d'éviter le risque de décharge électrique.
- S'assurer qu'aucune personne ni aucun animal ne s'approche à moins de 15 m pendant le travail. Lorsque plusieurs opérateurs travaillent dans la même zone, la distance de sécurité doit être d'au moins quinze mètres. Le non-respect de cette directive peut entraîner de graves blessures. Arrêter l'appareil immédiatement si une personne s'approche. Ne jamais entamer un mouvement de balancement avec l'appareil sans d'abord jeter un coup d'œil derrière pour s'assurer que personne ne se trouve dans la zone de sécurité.
- S'assurer qu'aucune personne ni aucun animal ou objet ne gêne le contrôle de l'appareil ou n'entre en contact avec l'outil de coupe ou des objets projetés par l'outil de coupe. Ne pas utiliser l'appareil s'il est impossible d'appeler de l'aide en cas d'accident.
- Toujours inspecter l'aire de travail. Retirer tous les objets mobiles tels que les pierres, le verre cassé, les clous, les fils de fer, les cordes, etc. qui pourraient être projetés ou s'enrouler autour de l'outil de coupe.
- S'assurer qu'il est possible de se déplacer et de se tenir debout en toute sécurité. Repérer les obstacles éventuels (racines, roches, branches, fossés, etc.)

en cas de déplacement imprévu. Faire très attention lors du travail sur une pente.



- Se tenir bien campé et en parfait équilibre. Ne pas trop se pencher vers l'avant.
- Toujours tenir l'appareil des deux mains. Tenir l'appareil sur le côté droit du corps.
- Tenir l'outil de coupe sous la taille de l'utilisateur.
- Couper le moteur avant de passer à une autre zone. Mettre en place le fourreau de transport avant de porter ou de transporter l'équipement sur n'importe quelle distance.
- Ne jamais déposer l'outil quand le moteur marche à moins de l'avoir sous les yeux.
- Arrêter le moteur et l'outil de coupe avant de retirer l'herbe enroulée autour de l'axe de lame. L'utilisateur du produit ni qui que ce soit ne doit essayer de retirer l'herbe coupée tant que le moteur est en marche ou que l'équipement de coupe tourne, sous peine de blessures graves. Le pignon conique peut être très chaud en cours d'utilisation et rester chaud pendant un certain temps après l'utilisation. Vous pourriez être brûlé si vous le touchez.
- Faire preuve de prudence à l'égard des projections d'objets. Toujours porter des lunettes de protection homologuées. Ne jamais se pencher au-dessus du dispositif de protection de l'outil de coupe. Des pierres, des débris, etc. peuvent être projetés dans vos yeux, ce qui peut causer la cécité ou des blessures graves.
- Parfois, des branches ou de l'herbe se coincent entre le dispositif de protection et l'outil de coupe. Toujours arrêter le moteur avant de nettoyer l'outil.
- Ramener le moteur au régime de ralenti après chaque étape de travail. De longues périodes à plein régime sans placer le moteur sous charge peuvent causer de graves dommages au moteur.
- Rester attentif aux appels ou cris d'avertissement lors de l'utilisation des protecteurs d'oreilles. Toujours enlever les protecteurs d'oreilles dès que le moteur s'arrête.
- La surexposition aux vibrations peut engendrer des problèmes circulatoires ou des troubles nerveux, en particulier chez les personnes ayant des troubles circulatoires. En cas de symptômes liés à une surexposition aux vibrations, consulter un médecin. Ces symptômes sont

les suivants : engourdissement, perte de sensibilité, fourmillement, picotement, douleur, faiblesse musculaire, décoloration ou modification de l'épiderme. Ces symptômes apparaissent normalement aux doigts, aux mains et aux poignets.

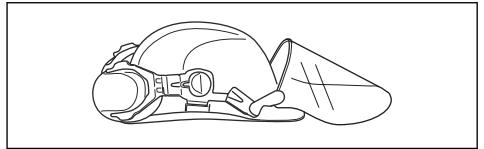
- Ne pas utiliser un produit avec un capuchon de bougie d'allumage endommagé.
- Ne pas utiliser un produit dont le silencieux est endommagé.
- Tenir toute partie du corps à l'écart de l'outil de coupe en rotation et des surfaces chaudes.
- Ne jamais utiliser un produit dont le silencieux est défectueux.
- Ne jamais démarrer ou utiliser le produit à l'intérieur, à proximité de matériaux combustibles ou dans des espaces qui ne disposent pas d'une ventilation adéquate. Les gaz d'échappement du moteur contiennent du monoxyde de carbone, un gaz inodore, toxique et très dangereux. De plus, les gaz d'échappement sont très chauds et peuvent contenir des étincelles qui peuvent causer un incendie.

Équipement de protection personnelle

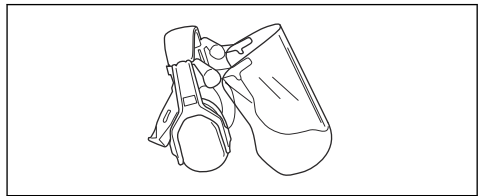


AVERTISSEMENT : Lire les messages d'avertissement qui suivent avant d'utiliser l'outil.

- Toujours utiliser un équipement de protection personnelle homologué lors de l'utilisation du produit. Cet équipement de protection personnelle n'élimine pas complètement les risques de blessures, mais il peut en réduire la gravité en cas d'accident. Laissez votre distributeur vous aider à sélectionner l'équipement adéquat.
- Portez un casque de protection en cas de risque de chute d'objets.

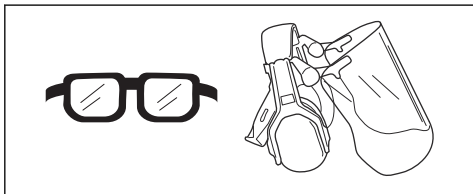


- Portez des protecteurs d'oreille homologués qui assurent une réduction adéquate du bruit. L'exposition prolongée au bruit peut causer des lésions auditives permanentes.

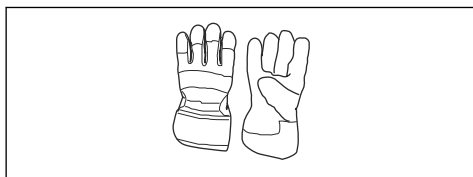


- Utiliser un dispositif de protection homologué pour les yeux. Porter également des lunettes de protection homologuées en cas d'utilisation d'une

visière. Les lunettes de protection homologuées doivent être conformes à la norme ANSI Z87.1 aux États-Unis ou à la norme EN 166 dans les pays de l'Union européenne.



- Utiliser des gants au besoin, par exemple lors de la fixation, de l'examen ou du nettoyage de l'équipement de coupe.



- Utiliser des bottes de protection antidérapantes à embout en acier et semelles antidérapantes.



- Utiliser des vêtements faits de tissus résistants. Utiliser toujours des pantalons longs et lourds et des manches longues. Ne pas utiliser des vêtements amples qui peuvent se prendre dans les broussailles et les branches. Ne pas porter des bijoux, des pantalons courts, des sandales et ne pas marcher pieds nus. Retenir vos cheveux en toute sécurité au-dessus des épaules.
- Garder une trousse de premiers soins à portée de main.



Dispositifs de sécurité sur l'outil



AVERTISSEMENT : Lire les messages d'avertissement qui suivent avant d'utiliser l'appareil.

Cette section décrit l'équipement de sécurité du produit, son but et la façon d'en effectuer les inspections et l'entretien afin de s'assurer qu'il fonctionne correctement. Consulter les instructions sous la rubrique *Introduction à la page 49* pour trouver où ces pièces se trouvent sur votre produit.

La durée de vie du produit peut être réduite et le risque d'accident peut augmenter si l'entretien de la machine n'est pas effectué correctement et si l'entretien ou les réparations ne sont pas effectués de façon professionnelle. Pour obtenir de plus amples informations, veuillez communiquer avec votre concessionnaire le plus proche.



AVERTISSEMENT : Ne jamais utiliser un produit dont les composants de sécurité sont endommagés. L'équipement de sécurité du produit doit être inspecté et entretenu selon les directives de la présente section. Si une inspection de la machine détecte une panne, communiquer avec un atelier spécialisé pour réparation.

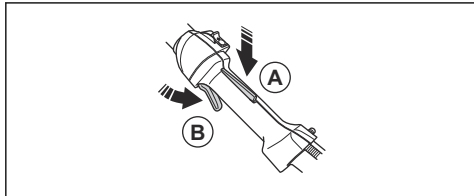


MISE EN GARDE : Tous les travaux de réparation nécessitent une formation spéciale. Ceci concerne particulièrement l'équipement de sécurité de la machine. Si les contrôles suivants ne donnent pas un résultat positif, vous devez communiquer avec un atelier spécialisé. L'achat de l'un de nos produits offre à l'acheteur la garantie d'un service et de réparations qualifiés. Si le détaillant qui vous a vendu la machine n'est pas un centre de service agréé, demandez-lui l'adresse de l'atelier spécialisé le plus proche.

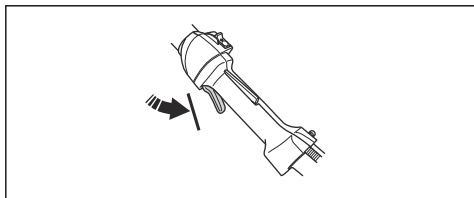
Pour vérifier le verrouillage de la gâchette de l'accélérateur

Le verrouillage de la commande d'accélération est conçu pour éviter le fonctionnement accidentel de la commande des gaz.

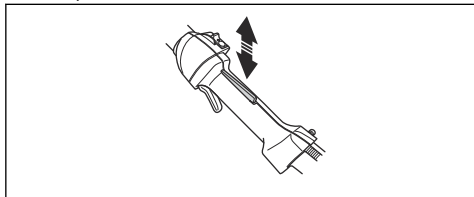
- Appuyer sur le dispositif de verrouillage de la gâchette de l'accélérateur (A) et s'assurer que la commande d'accélération est relâchée (B). Une fois la poignée relâchée, la commande d'accélération et le dispositif de verrouillage de la gâchette de l'accélérateur retournent à leurs positions initiales. Ce mouvement est commandé par deux ressorts de rappel indépendants. Cet arrangement signifie que la commande d'accélération est verrouillée automatiquement au réglage du ralenti.



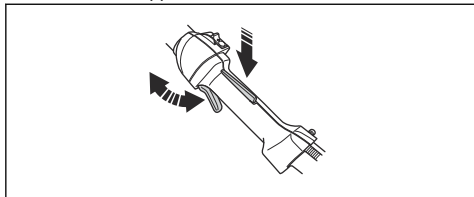
- S'assurer que la commande d'accélération est verrouillée au réglage du ralenti lorsque le dispositif de verrouillage de la gâchette de l'accélérateur est relâché.



- Appuyer sur le dispositif de verrouillage de la gâchette de l'accélérateur et s'assurer qu'il retourne à sa position initiale une fois relâché.

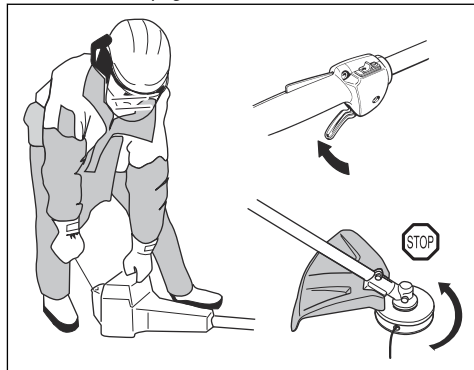


- S'assurer que la commande d'accélération et le dispositif de verrouillage de la gâchette de l'accélérateur se déplacent librement et que les ressorts de rappel fonctionnent correctement.



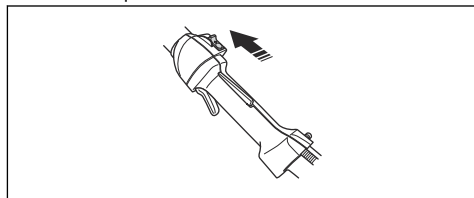
- Démarrer le produit (voir les instructions à la section *Démarrage d'un moteur froid à la page 60*) et faire tourner le moteur à plein régime.

- Relâcher l'accélérateur et s'assurer que l'outil de coupe s'arrête et reste immobile. Si l'outil de coupe tourne alors que l'accélérateur est en position de ralenti, vérifier le réglage du ralenti du carburateur. Consulter les instructions décrites dans le chapitre *Entretien à la page 66*.



Pour vérifier l'interrupteur d'arrêt

- Démarrer le moteur.
- Déplacer l'interrupteur d'arrêt en position d'arrêt et s'assurer que le moteur s'arrête.



Vérification du dispositif de protection de l'outil de coupe



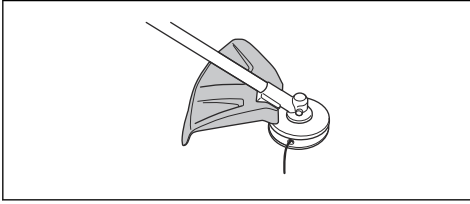
AVERTISSEMENT : Ne pas utiliser un outil de coupe dépourvu du dispositif de protection homologué correctement fixé. Se reporter à la section *Accessoires à la page 72*.



AVERTISSEMENT : Toujours utiliser le dispositif de protection de l'outil de coupe recommandé pour l'outil de coupe utilisé. L'utilisation d'un dispositif de protection de l'outil de coupe défectueux ou inapproprié peut causer des blessures graves. Se reporter à la section *Caractéristiques techniques à la page 71*.

Le dispositif de protection de l'outil de coupe permet d'éviter des blessures provoquées par des objets projetés en direction de l'opérateur. Il empêche

également de subir des blessures en cas de contact avec l'outil de coupe.



1. Effectuer une inspection visuelle pour détecter d'éventuels dommages, par exemple des fissures.
2. Remplacer le dispositif de protection de l'unité de coupe s'il est endommagé.

Pour vérifier le système antivibrations



AVERTISSEMENT : L'utilisation d'un fil mal enroulé ou d'un outil de coupe inadéquat augmente le niveau de vibrations.

Le système anti-vibrations réduit les vibrations entre le moteur et l'arbre, ce qui facilite l'utilisation. Se reporter à la section *Présentation de l'appareil à la page 49* pour voir l'emplacement des unités anti-vibrations sur votre produit.

1. Couper le moteur.
2. Effectuer une inspection visuelle pour détecter les déformations et les dommages éventuels, par exemple les fissures.
3. S'assurer que les unités anti-vibrations sont bien fixées.

Outil de coupe



AVERTISSEMENT : Lire les messages d'avertissement qui suivent avant d'utiliser l'appareil.

- Effectuer l'entretien de routine. Communiquer avec un centre agréé pour examiner régulièrement l'outil de coupe et effectuer les réglages et les réparations.
 - Cette précaution augmente les performances de l'outil de coupe.
 - Cette précaution augmente la durée de vie de l'outil de coupe.
 - Cette précaution réduit le risque d'accident.
- Utiliser seulement un dispositif de protection de l'outil de coupe homologué. Se reporter à la section *Accessoires à la page 72*.
- Ne pas utiliser un équipement de coupe endommagé.

Tête de coupe d'herbe

- Vérifier que le fil coupe-herbe est fermement et uniformément enroulé autour du tambour; cette précaution réduit les vibrations.
- Utiliser seulement des têtes de coupe-herbe et des fils coupe-herbe homologués. Se reporter à la section *Tonte du gazon à la page 62*.
- Utiliser un fil coupe-herbe de longueur adéquate. Un fil coupe-herbe plus long utilise plus de puissance de moteur qu'un fil coupe-herbe court.
- Vérifier que le couteau monté sur le dispositif de protection de l'outil de coupe n'est pas endommagé.
- Tremper le fil coupe-herbe dans de l'eau pendant deux jours avant de monter le fil coupe-herbe sur le produit. Cette précaution permet d'augmenter la durée de vie du fil coupe-herbe.
- Se reporter aux instructions relatives à l'équipement de coupe pour connaître la bonne façon de charger le fil et le diamètre de fil approprié.

Sécurité – carburant



AVERTISSEMENT : Lire les messages d'avertissement qui suivent avant d'utiliser l'outil.

- Ne jamais démarrer le produit si du carburant se déverse sur celui-ci. Essuyer tout déversement et laisser le carburant s'évaporer.
- Ne jamais démarrer le produit si du carburant se déverse sur vous ou sur vos vêtements. changer de vêtements et laver toute partie de votre corps qui est entrée en contact avec le carburant. Utiliser de l'eau et du savon.
- Ne jamais démarrer le produit s'il présente une fuite de carburant. Vérifier régulièrement l'étanchéité du bouchon du réservoir et des conduites de carburant.
- Toujours placer le produit sur une surface plane et s'assurer que l'outil de coupe ne puisse pas entrer en contact avec un objet quelconque lors de l'ajout de carburant.
- Faire attention lors de la manipulation du carburant. Ne pas oublier le risque d'incendie, d'explosion et d'inhalation des émanations.
- Faire preuve de prudence lors de la manipulation du carburant et s'assurer que la ventilation est adéquate. Les vapeurs de carburant et de combustible sont hautement inflammables et peuvent causer des blessures graves en cas d'inhalation ou de contact avec la peau.
- Mélanger et verser le carburant à l'extérieur, dans un endroit exempt d'étincelles ou de flammes.
- Ne jamais fumer ni placer des objets chauds à proximité du carburant.
- Toujours éteindre le moteur et le laisser refroidir pendant quelques minutes avant de faire le plein.
- Ouvrir le bouchon du réservoir de carburant lentement pour relâcher doucement la pression lors du remplissage.

- Serrer le bouchon du réservoir avec précaution après l'appoint de carburant.
- Nettoyer la zone autour du bouchon. La présence d'impuretés dans le réservoir peut engendrer des problèmes de fonctionnement.
- Toujours éloigner le produit de 3 m (10 pi) ou plus, de la zone et de la source de remplissage avant de démarrer.

Consignes de sécurité pour la maintenance



AVERTISSEMENT : Lire les messages d'avertissement qui suivent avant d'utiliser l'outil.

- Arrêter le moteur, s'assurer que l'équipement de coupe s'arrête et laisser le produit refroidir avant de faire l'entretien.
- Débrancher la bougie d'allumage avant de procéder à l'entretien.
- Les gaz d'échappement du moteur contiennent du monoxyde de carbone, un gaz inodore, toxique et

très dangereux qui peut causer la mort. Ne pas démarrer le produit à l'intérieur ou dans des espaces fermés.

- Les gaz d'échappement du moteur sont chauds et peuvent contenir des étincelles. Ne pas démarrer l'outil dans un local clos ou à proximité de matériaux inflammables.
- Les accessoires et les modifications apportées au produit qui ne sont pas approuvés par le fabricant peuvent causer des blessures graves, voire mortelles. Ne pas modifier l'outil. Utilisez toujours des accessoires d'origine.
- Si l'entretien n'est pas effectué correctement et régulièrement, le risque de blessures et de dommages à l'outil augmente.
- N'effectuer que les travaux d'entretien recommandés dans ce manuel d'utilisation. Laisser un agent d'entretien agréé Husqvarna effectuer toutes les autres opérations d'entretien.
- Demander régulièrement à un agent d'entretien agréé Husqvarna d'effectuer l'entretien de l'outil.
- Remplacer les pièces endommagées, usées ou brisées.

Montage

Introduction



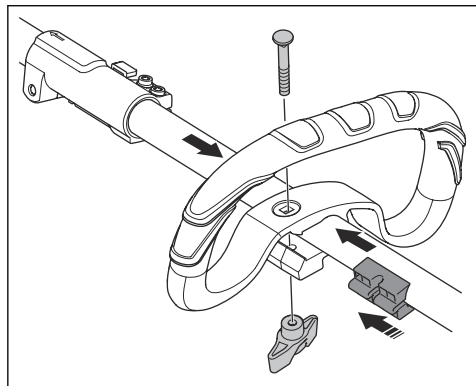
AVERTISSEMENT : Avant d'assembler le produit, lire et bien comprendre le chapitre sur la sécurité.



AVERTISSEMENT : Débrancher le câble de la bougie d'allumage de la bougie d'allumage avant d'assembler le produit.

Montage du guidon en boucle (130L)

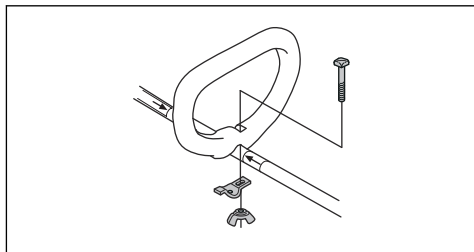
1. Fixer le guidon en boucle sur l'arbre entre les flèches.



2. Déplacer l'entretoise dans la fente du guidon en boucle.
3. Installer l'écrou, le bouton et le boulon. Ne pas serrer complètement le boulon.
4. Régler le produit dans une position adéquate.
5. Serrer le boulon.

Montage du guidon en boucle (130C)

1. Fixer le guidon en boucle sur l'arbre selon l'illustration et serrer.

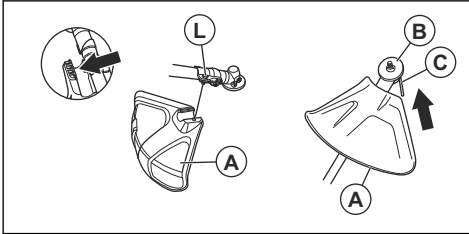


2. Vérifier que le guidon en boucle se fixe entre les flèches dessinées sur l'arbre.

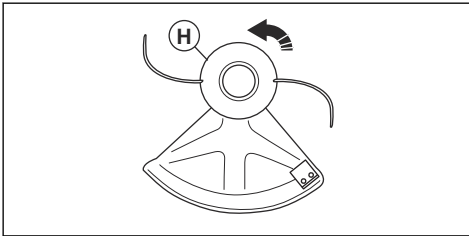
Montage du dispositif de protection de l'outil de coupe et de la tête de coupe (arbre droit)

1. Fixer le dispositif de protection de l'outil de coupe (A) sur l'arbre au moyen de la vis (L).
2. Fixer le disque d'entraînement (B) sur l'arbre de sortie.

3. Tourner l'arbre de sortie jusqu'à ce que le trou dans le disque d'entraînement s'aligne avec le trou situé dans le carter d'engrenage.
4. Placer un petit tournevis (C) dans le trou pour bloquer l'arbre.

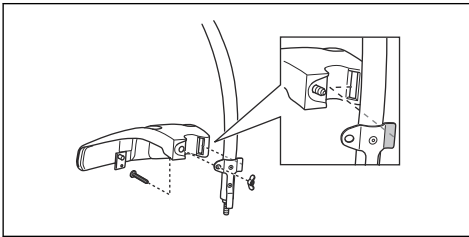


5. Tourner la tête du coupe-herbe (H) dans le sens antihoraire pour serrer la tête de coupe à la boîte de vitesses. (Filetage à gauche.)

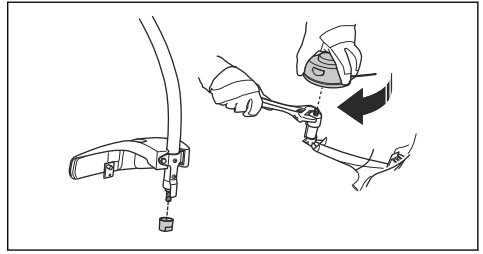


Montage du dispositif de protection de l'outil de coupe et de la tête de coupe (arbre courbé)

1. Fixer la protection. Serrer l'écrou.



2. Fixer le pare-poussière sur l'arbre.



3. Maintenir le pare-poussière en place au moyen d'une clé réglable pour s'assurer que l'arbre ne tourne pas.
4. Fixer la tête de coupe sur l'arbre. Tourner la tête de coupe dans le sens des aiguilles d'une montre.

Fonctionnement

Carburant

Cet outil est équipé d'un moteur à deux-temps.



MISE EN GARDE : Un type de carburant inapproprié peut endommager le moteur. Utiliser un mélange d'essence et d'huile pour moteur à deux-temps.

Carburant prémélangé

- Utiliser du carburant alkylat prémélangé Husqvarna, pour atteindre une performance optimale et un prolonger la durée de vie du moteur. Ce carburant

contient moins de substances chimiques nocives par rapport à un carburant régulier, ce qui réduit les gaz d'échappement nocifs. La quantité de dépôts après combustion est inférieure avec ce carburant, ce qui maintient les composants du moteur plus propres.

Pour mélanger le carburant

Essence

- Utiliser de l'essence sans plomb de bonne qualité contenant au maximum 10 % d'éthanol.



MISE EN GARDE : Ne pas utiliser d'essence à indice d'octane inférieur à 90 RON (87 AKI). L'utilisation d'un indice d'octane inférieur peut entraîner le cognement du moteur, ce qui provoque des dommages au moteur.

Huile à moteur deux temps

- Pour obtenir un meilleur résultat et un fonctionnement optimal, utiliser l'huile pour moteur à deux-temps Husqvarna.
- Si l'huile pour moteur à deux temps Husqvarna n'est pas disponible, utiliser une huile pour moteur à deux temps de bonne qualité destinée aux moteurs refroidis à l'air. Communiquer avec votre centre de services pour sélectionner l'huile appropriée.



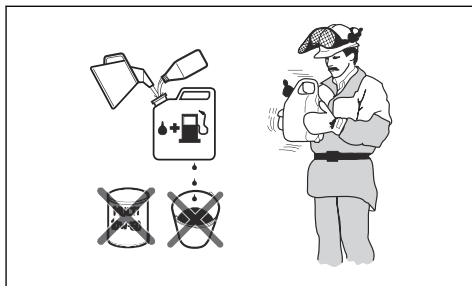
MISE EN GARDE : Ne pas utiliser l'huile pour moteur à deux temps dans des moteurs hors-bord refroidis à l'eau, également appelée huile pour moteur hors-bord. Ne pas utiliser l'huile pour des moteurs à quatre temps.

Pour mélanger l'essence et l'huile pour moteur à deux temps

Essence, litre	Huile pour moteur à deux temps, litre
	2 % (50:1)
5	0,10
10	0,20
15	0,30
20	0,40
gallon US	once liquide US
1	2 ½
2 1/2	6 ½
5	12 ¾



MISE EN GARDE : De petites erreurs peuvent influencer considérablement le ratio de mélange lors du mélange de petites quantités de carburant. Mesurer soigneusement la quantité d'huile et s'assurer d'obtenir le mélange approprié.



1. Remplir la moitié de la quantité d'essence dans un récipient propre destiné à contenir du carburant.
2. Ajouter la quantité totale d'huile.
3. Agiter le mélange de carburant.
4. Ajouter la quantité restante d'essence dans un récipient.
5. Agiter avec précaution le mélange de carburant.



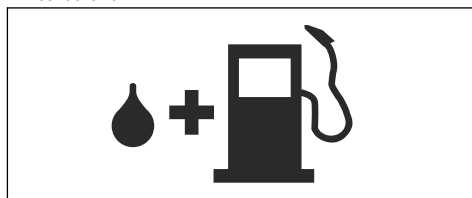
MISE EN GARDE : Ne pas mélanger le carburant pendant plus de 1 mois à la fois.

Remplissage du réservoir de carburant



AVERTISSEMENT : Respecter la procédure suivante pour assurer la sécurité.

1. Couper le moteur et le laisser refroidir.
2. Nettoyer la zone autour du bouchon du réservoir de carburant.



3. Secouer le bidon et s'assurer que le carburant est complètement mélangé.
4. Retirer le bouchon du réservoir de carburant lentement pour libérer la pression.
5. Remplir le réservoir de carburant.



MISE EN GARDE : S'assurer qu'il n'y a pas trop de carburant dans le réservoir. Le carburant se dilate lorsqu'il devient chaud.

6. Serrer fermement le bouchon du réservoir de carburant.
7. Nettoyer le déversement de carburant sur le produit et autour de celui-ci.

8. Éloigner le produit de 3 m (10 pi) ou plus de la zone de remplissage et de la source de carburant avant de démarrer.

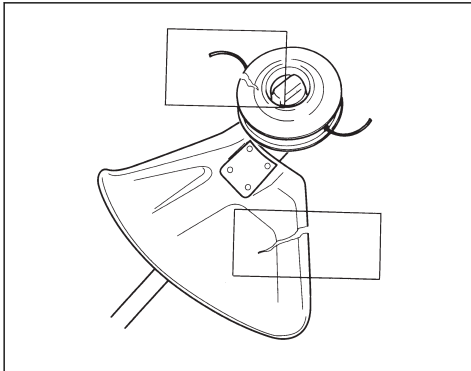
Remarque : Pour connaître l'emplacement du réservoir de carburant sur votre machine, se reporter à *Introduction à la page 49*.

Avant d'utiliser le produit



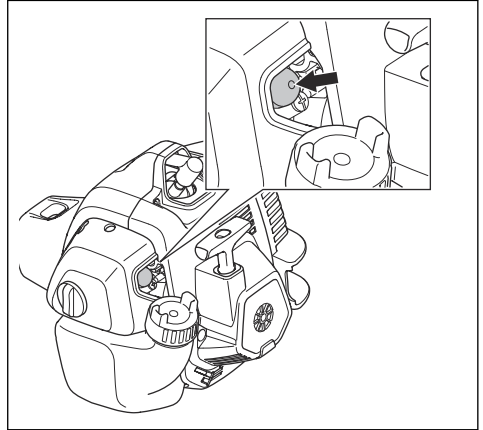
AVERTISSEMENT : Ne pas utiliser le produit sans un dispositif de protection ou avec un dispositif de protection endommagé.

- Examiner la zone de travail pour s'assurer de connaître le type de terrain. Examiner l'inclinaison du sol et s'il y a des obstacles tels que des pierres, des branches et des fossés.
- Effectuer une inspection du produit.
- Effectuer les inspections de sécurité, les réparations et l'entretien indiqués dans ce manuel.
- S'assurer que tous les couvercles, le dispositif de protection de l'outil de coupe et la tête de coupe sont correctement fixés et ne sont pas endommagés. Remplacer les pièces endommagées.

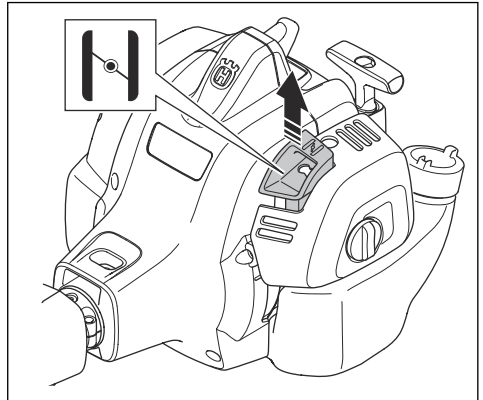


Démarrage d'un moteur froid

1. Appuyer 10 fois sur la pompe à carburant.



2. Régler le starter en position étrangleur fermé.



3. Maintenir l'outil sur le sol avec la main. Ne pas marcher sur l'outil.



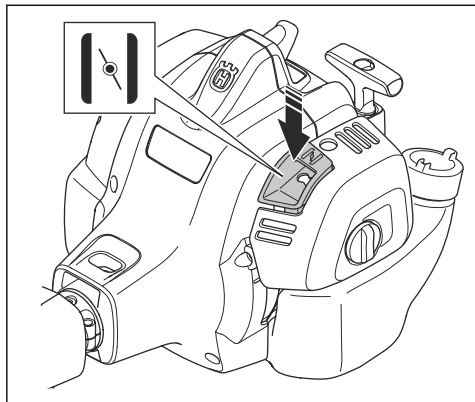
AVERTISSEMENT : Ne pas tirer la gâchette de l'accélérateur lors du démarrage du moteur.

4. Tirer la poignée du câble du lanceur à 3 reprises avec force.



MISE EN GARDE : Ne pas tirer sur la corde du démarreur tant qu'il ne s'est pas arrêté. Ne pas lâcher la corde du démarreur lorsqu'elle est complètement déployée. Relâcher lentement la corde du démarreur. Le non-respect de ces instructions peut causer des dommages au moteur.

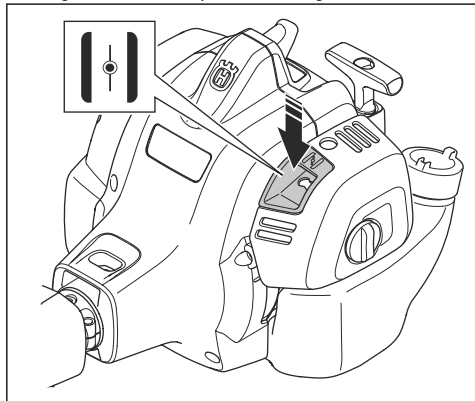
5. Mettre le starter à la position Étrangleur à mi-course au centre.



6. Tirer sur la poignée du câble du lanceur jusqu'à ce que le moteur démarre.

Remarque : Si le moteur ne démarre pas, effectuer la procédure de démarrage à partir de l'étape 1.

7. Laisser le moteur tourner pendant 10 secondes.
8. Régler le starter en position Étrangleur ouvert.



Démarrage d'un moteur chaud

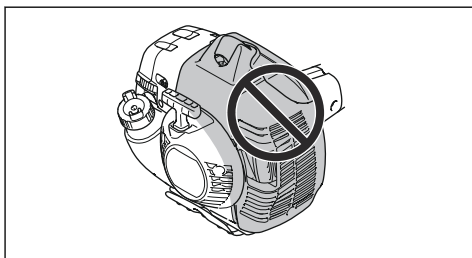
1. Déplacer le levier d'étrangleur en position ÉTRANGLEUR FERMÉ.

2. Déplacer le levier d'étrangleur en position ÉTRANGLEUR À MI-COURSE.
3. Tirer vivement sur la corde du lanceur jusqu'à ce que le moteur démarre.
4. Déplacer le levier d'étrangleur en position ÉTRANGLEUR OUVERT.

À propos de la surface



AVERTISSEMENT : Ne pas placer des parties de votre corps dans les zones marquées en gris. Un contact avec la zone marquée en gris peut causer des brûlures de la peau. Il peut également provoquer un risque d'électrocution si le capuchon de la bougie d'allumage a été endommagé. Ne pas utiliser un produit avec un capuchon de bougie d'allumage endommagé.



Démarrage du moteur lorsque le carburant est trop chaud

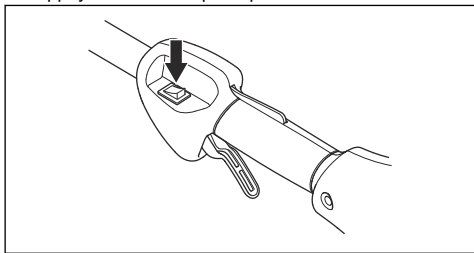
Si l'outil ne démarre pas, le carburant peut être trop chaud.

Remarque : Toujours utiliser du carburant neuf et réduire la durée de fonctionnement par temps chaud.

1. Placer l'outil dans un endroit frais à l'écart des rayons du soleil.
2. Laisser l'outil refroidir pendant au moins 20 minutes.
3. Appuyer sur la pompe à carburant à plusieurs reprises pendant 10 à 15 secondes.
4. Procéder de la même façon que pour le démarrage à froid. Se reporter à la section *Démarrage d'un moteur froid* à la page 60.

Arrêt de la machine

- Appuyer sur l'interrupteur pour arrêter le moteur.

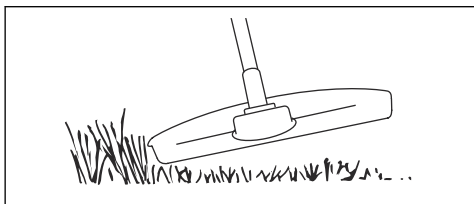


Remarque : L'interrupteur revient automatiquement à sa position initiale.

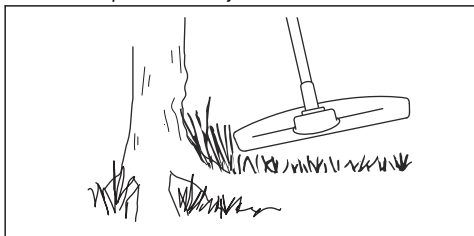
Désherbage au moyen d'une tête de coupe

Tonte du gazon

- Tenir la tête de coupe tout juste au-dessus du sol, en l'inclinant. Ne pas appuyer le fil de coupe dans l'herbe.

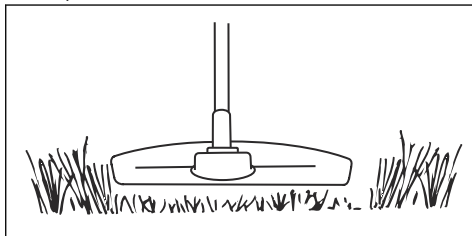


- Diminuer la longueur du fil de coupe de 10-12 cm (4-4,75 po).
- Réduire le régime du moteur pour réduire le risque d'endommager les plantes.
- Utiliser 80 % de l'accélération lorsqu'on doit couper l'herbe à proximité d'objets.

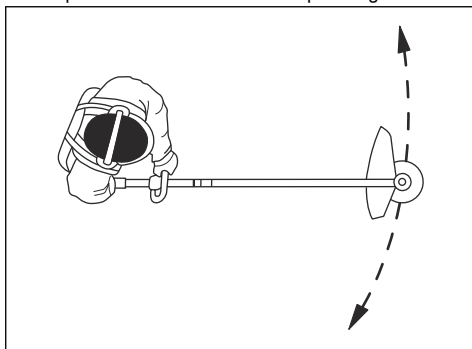


Pour couper l'herbe

- Pour effectuer une coupe, vérifier que le fil de coupe est parallèle au sol.



- Ne pas appuyer la tête de coupe sur le sol. Cela pourrait endommager le produit.
- Déplacer le produit d'un côté à l'autre pendant la coupe. Faire tourner le moteur à plein régime.



Pour balayer l'herbe

Le débit d'air du fil de coupe en rotation peut être utilisé pour souffler l'herbe coupée d'une zone.

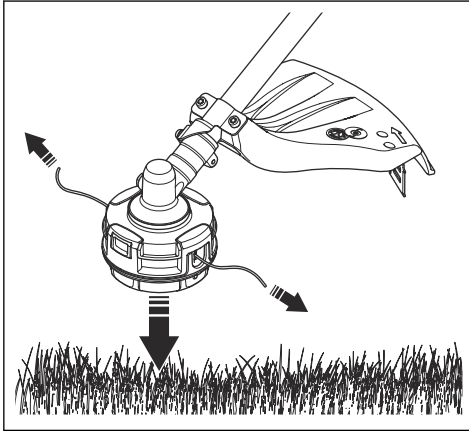
- Maintenir la tête de désherbage et le fil surélevés et parallèles au sol.
- Faire tourner le moteur à plein régime.
- Déplacer la tête de coupe d'un côté à l'autre et balayer l'herbe.



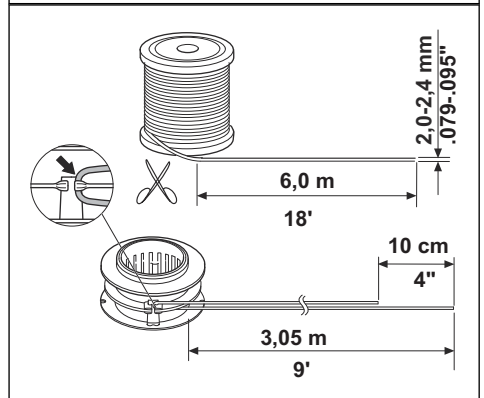
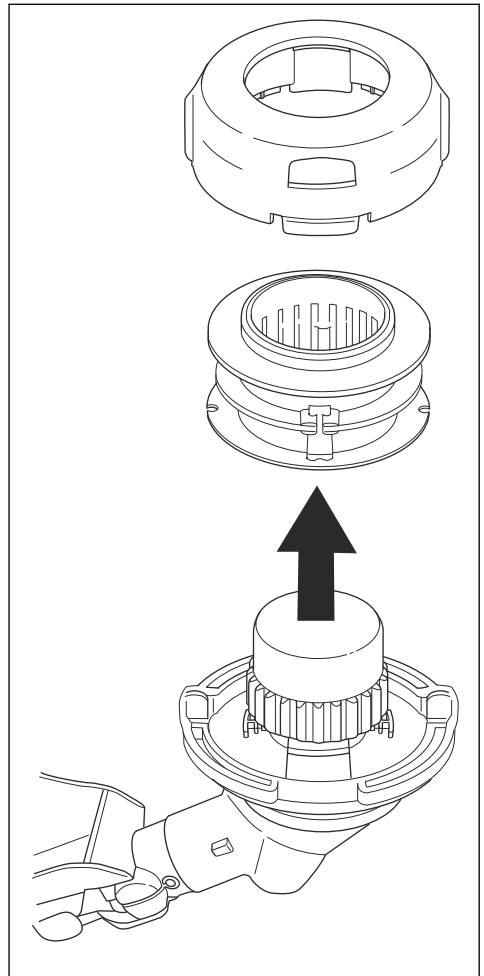
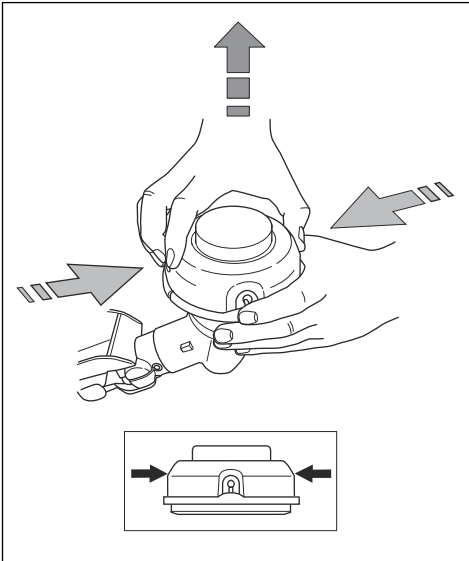
AVERTISSEMENT : Nettoyer le couvercle de la tête de désherbage à chaque remplacement du fil de coupe afin d'éviter un déséquilibre et des vibrations dans les poignées. En outre, vérifier les autres parties de la tête de coupe et les nettoyer au besoin.

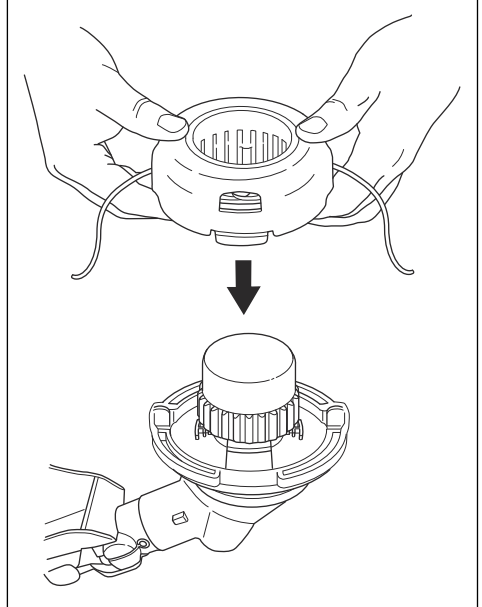
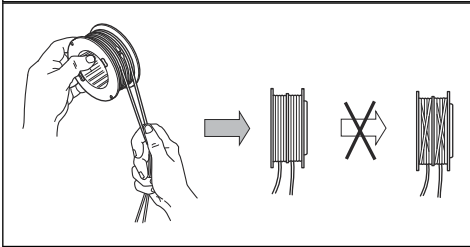
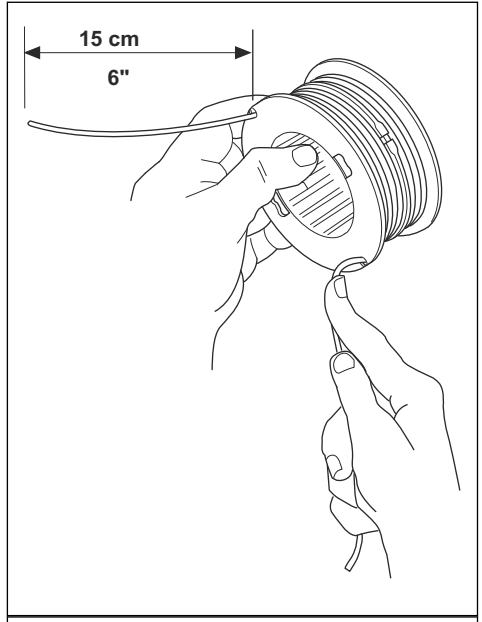
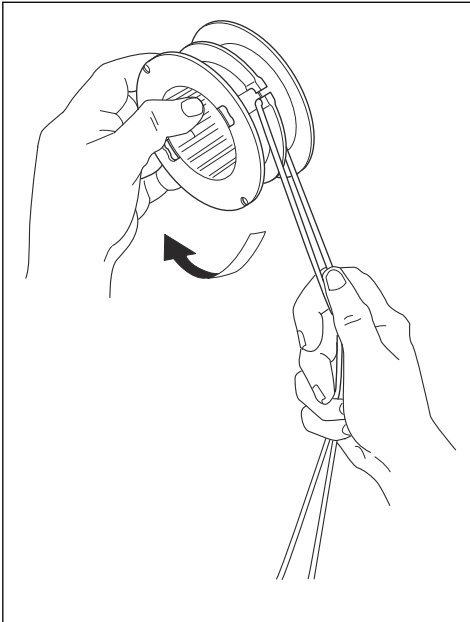
Pour allonger le fil coupe-herbe

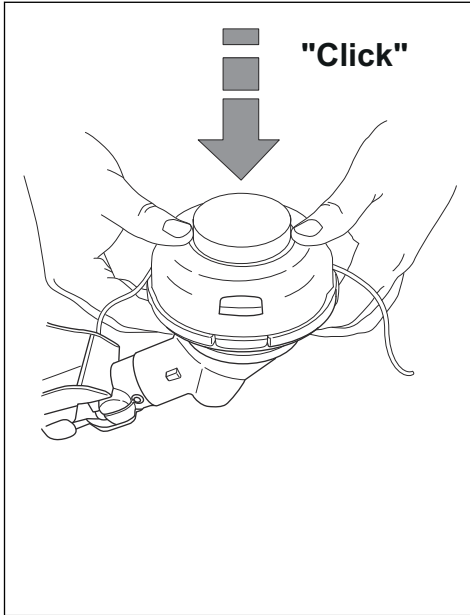
- Lorsque le fil de coupe-herbe devient court pendant le fonctionnement, tapoter la tête de coupe sur une surface dure et plane pour allonger le fil de coupe. Le produit doit fonctionner à pleine vitesse pour obtenir le meilleur résultat possible.



Remplacement du fil coupe-herbe 130C



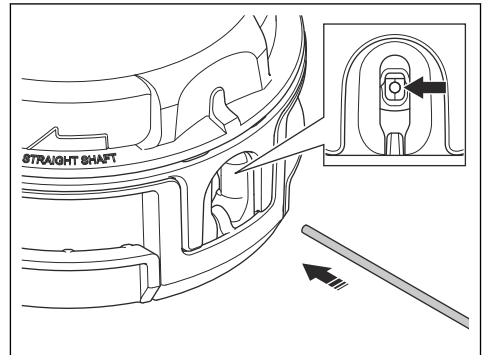




Remarque : Il n'est pas nécessaire de pousser la moitié supérieure de la tête de désherbage vers le bas lorsqu'on la tourne.

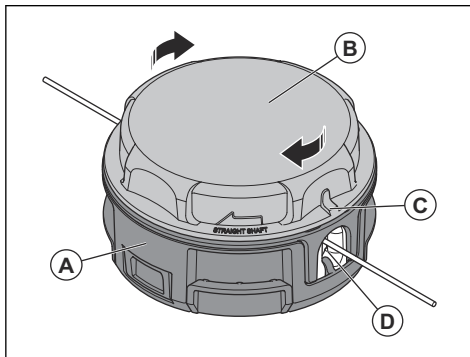
Remarque : Lorsqu'on tourne la moitié supérieure de la tête de désherbage, un clic se fait entendre.

2. Continuer à tourner la moitié supérieure de la tête de désherbage jusqu'à ce que le triangle (C) soit aligné avec le trou (D).
3. Déposer et mettre au rebut le fil de coupe restant.
4. Couper environ 6,7 m (22 pi) du nouveau fil de coupe.
5. Placer une extrémité du fil de coupe dans l'un des trous.



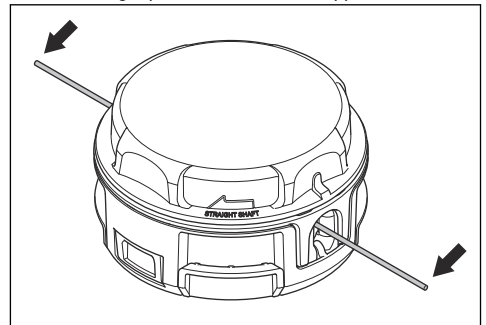
Remplacement du fil coupe-herbe(130L)

1. Maintenir la moitié inférieure (A) de la tête de désherbage d'une main. Tourner la moitié supérieure (B) de la tête de désherbage de l'autre main.



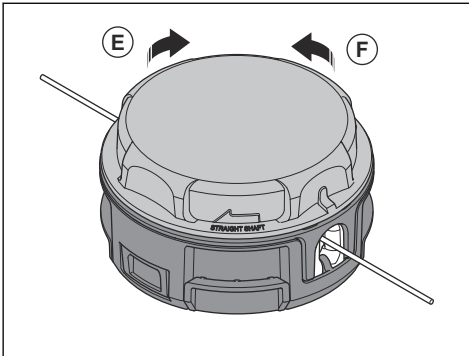
- a) Pour les coupe-herbes à arbre droit, tourner la moitié supérieure de la tête de désherbage dans le sens horaire.
- b) Pour les coupe-herbes à arbre courbé, tourner la moitié supérieure de la tête de désherbage dans le sens antihoraire.

6. Pousser le fil de coupe à travers la tête de désherbage, puis à travers le trou opposé.



7. Tirer le fil de coupe à travers la tête de désherbage jusqu'à ce qu'il y ait une longueur égale de fil de coupe de chaque côté.

8. Maintenir la moitié inférieure de la tête de désherbage stable d'une main. Tourner la moitié supérieure de la tête de désherbage de l'autre main. Continuer à tourner la moitié supérieure de la tête de désherbage jusqu'à ce qu'il y ait environ 127 mm (5 po) de fil de coupe sortant de chaque trou.

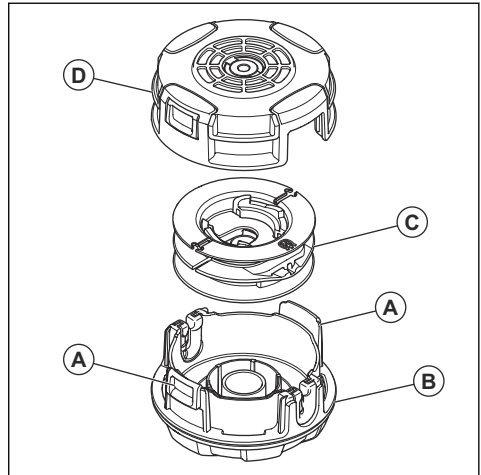


- a) Pour les coupe-herbes à arbre droit, tourner la moitié supérieure (E) de la tête de désherbage dans le sens horaire.
- b) Pour les coupe-herbes à arbre courbé, tourner la moitié supérieure (F) de la tête de désherbage dans le sens antihoraire.

Remarque : Si le fil de coupe est trop long d'un côté de la tête de désherbage, couper le fil à la bonne longueur.

Pour examiner et nettoyer la tête de désherbage 130L

1. Pousser sur les languettes (A) pour retirer la moitié inférieure (B) de la tête de désherbage.



2. Retirer la bobine (C).
3. Retirer et jeter toute pièce de fil de coupe et tout matériau indésirable de la tête de désherbage et de la bobine.
4. Placer la bobine dans la moitié inférieure.
5. Fixer la moitié supérieure (D). S'assurer que toutes les pièces sont dans la bonne position et qu'elles sont correctement alignées.
6. Tourner la tête de désherbage assemblée avec la main. S'assurer que les moitiés supérieure et inférieure sont complètement fermées et que les languettes sont complètement engagées.
7. Pour remplacer le fil coupe-herbe, se reporter à *Remplacement du fil coupe-herbe(130L)* à la page 65.

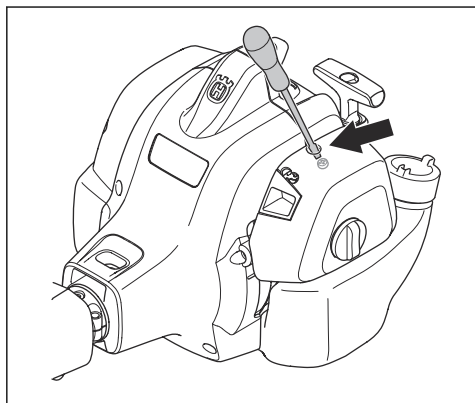
Entretien

Réglage du régime de ralenti

Votre produit Husqvarna est fabriqué conformément aux spécifications permettant de diminuer les émissions nocives.

1. S'assurer que le filtre à air est propre et que le couvercle de filtre à air est fixé au produit.

2. Tourner la vis de réglage de régime de ralenti (T) dans le sens horaire jusqu'à ce que l'outil de coupe commence à tourner.



3. Tourner la vis de réglage de régime de ralenti (T) dans le sens antihoraire jusqu'à ce que l'outil de coupe s'arrête.

Le régime de ralenti est adéquat lorsque le moteur fonctionne sans à-coups dans toutes les positions. Le régime de ralenti doit être inférieur à la vitesse lorsque l'outil de coupe commence à tourner.

Remarque : Se reporter à la section *Caractéristiques techniques à la page 71* pour obtenir le régime de ralenti recommandé.



AVERTISSEMENT : Si l'équipement de coupe ne s'arrête pas lors du réglage du régime de ralenti, communiquer avec son fournisseur de services d'entretien. Ne pas utiliser le produit jusqu'à ce qu'il soit réglé ou réparé correctement.

Pour vérifier le silencieux



AVERTISSEMENT : Ne pas utiliser un produit dont le silencieux est endommagé.



AVERTISSEMENT : Ne pas utiliser le produit si l'écran pare-étincelles du silencieux est manquant ou endommagé.



AVERTISSEMENT : Le silencieux devient très chaud pendant et après utilisation, ainsi que lorsque le moteur tourne au ralenti. Utiliser des gants de protection pour éviter des brûlures.

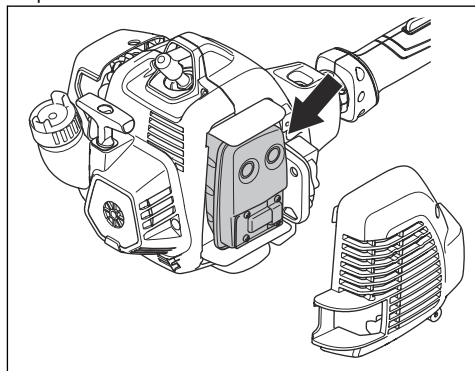
Le silencieux maintient le niveau de bruit au minimum et achemine les gaz d'échappement loin de l'utilisateur.

1. Couper le moteur.
2. Examiner le silencieux pour détecter des dommages.

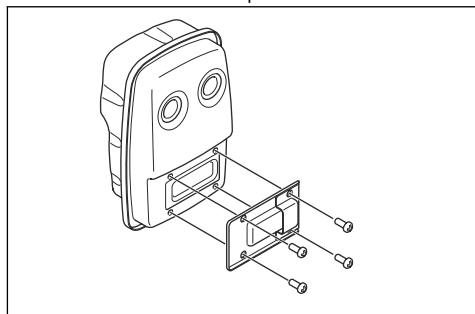


AVERTISSEMENT : Les surfaces internes du silencieux contiennent des produits chimiques pouvant causer des cancers. Faire attention à ne pas toucher ces éléments si le silencieux est endommagé.

3. S'assurer que le silencieux est bien fixé sur le produit.



4. Contrôler visuellement le pare-étincelles.



- a) Si l'écran pare-étincelles est endommagé, le remplacer.
- b) Si l'écran pare-étincelles est bloqué, le nettoyer.



MISE EN GARDE : Si l'écran pare-étincelles est obstrué, le produit surchauffe et entraîne ainsi des dommages au niveau du cylindre et du piston.

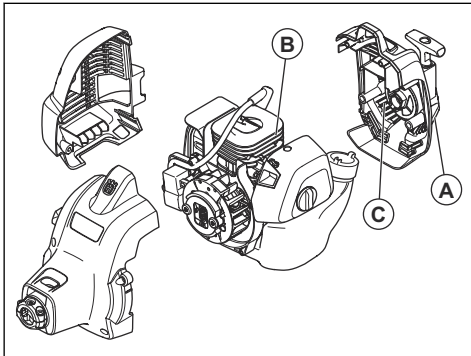
Nettoyage du système de refroidissement



MISE EN GARDE : Un système de refroidissement encrassé ou bloqué peut entraîner une surchauffe du produit, ce qui peut endommager ce dernier.

Les pièces du système de refroidissement comprennent la prise d'air sur le démarreur (A), les ailettes de refroidissement du cylindre (B) et le capot du cylindre (C).

1. Nettoyer le système de refroidissement au moyen d'une brosse une fois par semaine ou plus fréquemment au besoin.



2. S'assurer que le système de refroidissement n'est pas sale ou obstrué.

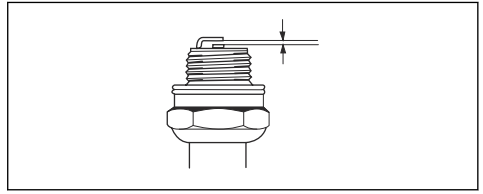
Vérification de la bougie d'allumage



MISE EN GARDE : Toujours utiliser une bougie d'allumage du type recommandé. Une bougie d'allumage de type inapproprié peut endommager le produit.

- Examiner la bougie d'allumage si le moteur manque de puissance, démarre difficilement ou ne fonctionne pas correctement au régime de ralenti.
- Afin de réduire le risque de matériau indésirable sur les électrodes de la bougie, respecter les consignes suivantes :
 - a) Vérifier que le régime de ralenti est réglé de façon adéquate.
 - b) Vérifier que le mélange de carburant est correct.
 - c) Vérifier que le filtre à air est propre.

- Si la bougie d'allumage est sale, la nettoyer et s'assurer que l'écartement des électrodes est correct, se reporter à la section *Caractéristiques techniques* à la page 71.



- Remplacer la bougie d'allumage au besoin.

Filtre à air

Enlever la poussière et la saleté du filtre à air pour le garder propre afin d'éviter ces problèmes :

- Mauvais fonctionnement du carburateur.
- Problèmes au démarrage du produit.
- Une perte de puissance du moteur
- Une usure accrue des pièces du moteur.
- Une consommation excessive de carburant.

Nettoyage du filtre à air

1. Retirer le couvercle du filtre à air et retirer le filtre.
2. Frapper le filtre contre une surface plane pour faire tomber les particules.



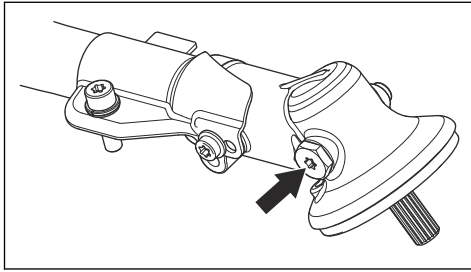
MISE EN GARDE : Ne pas utiliser un solvant ou de l'air comprimé pour nettoyer le filtre à air.

3. Remettre le filtre à air en place. S'assurer que le filtre à air est complètement scellé contre le support de filtre à air.
4. Remettre le couvercle du filtre à air.

Remarque : Un filtre à air utilisé pendant une longue période ne peut pas être complètement nettoyé. Remplacer le filtre à air à intervalles réguliers. Toujours remplacer les filtres à air endommagés.

Renvoi d'angle 130L

Le pignon conique est rempli de la quantité de graisse nécessaire en usine. Mais, avant d'utiliser le produit, s'assurer que le pignon conique est rempli au 3/4 de graisse. Utiliser de la graisse spéciale Husqvarna.



Calendrier de maintenance

Vous trouverez ci-dessous une liste d'étapes d'entretien qui doivent être effectuées sur le produit. La plupart des étapes sont décrites dans la section *Entretien à la page 66*

Remarque : L'utilisateur doit seulement effectuer les travaux de maintenance et d'entretien décrits dans ce manuel d'utilisation. Les travaux plus importants doivent être effectués par un atelier d'entretien agréé.

Il n'est pas nécessaire de remplacer la graisse du pignon conique à moins que des réparations soient effectuées.

Entretien	Tous les jours	Toutes les semaines	Mensuel
Nettoyer la surface externe.	X		
S'assurer que le dispositif de verrouillage de la gâchette de l'accélérateur et l'accélérateur fonctionnent correctement du point de vue de la sécurité.	X		
Vérifier l'interrupteur d'arrêt pour s'assurer qu'il fonctionne correctement.	X		
S'assurer que l'outil de coupe ne tourne pas au régime de ralenti.	X		
Nettoyer le filtre à air. Remplacer au besoin.	X		
Vérifier le dispositif de protection de l'outil de coupe pour détecter d'éventuels dommages et fissures. Remplacer la protection si elle a reçu un coup ou si elle est fissurée.	X		
Examiner la tête de coupe pour s'assurer qu'elle ne présente pas de dommages ou de fissures. Remplacer en cas de dommages.	X		
Vérifier que les vis et les écrous sont bien serrés.	X		
Examiner le moteur, le réservoir de carburant et les conduites de carburant pour détecter d'éventuelles fuites.	X		
Nettoyer le système de refroidissement.		X	
Examiner le lanceur et la corde du lanceur pour détecter d'éventuels dommages.		X	
Examiner les éléments antivibrations pour s'assurer qu'ils ne présentent pas de dommages ou de fissures.		X	
Nettoyer l'extérieur de la bougie d'allumage. Retirer la bougie d'allumage et vérifier l'écartement des électrodes. Régler l'écart à la bonne distance (se reporter à <i>Vérification de la bougie d'allumage à la page 68</i>) ou remplacer la bougie d'allumage.. S'assurer que la bougie est dotée d'un suppresseur.		X	
Nettoyer l'extérieur du carburateur et ses zones adjacentes.		X	
Vérifier le pignon conique pour s'assurer qu'il est rempli au trois-quarts de lubrifiant. Remplir avec de la graisse spéciale, au besoin.		X	
Nettoyer ou remplacer la maille pare-étincelles du silencieux (s'applique seulement aux silencieux sans pot catalytique).		X	

Entretien	Tous les jours	Toutes les semaines	Mensuel
S'assurer que le filtre à carburant est exempt de toute contamination et que le tuyau à carburant ne présente pas de fissures ou d'autres dommages (130L (LT13028CSHV)). Remplacer au besoin.			X
Vérifier tous les câbles et toutes les connexions.			X
Vérifier l'embrayage, les ressorts d'embrayage et le tambour d'embrayage pour détecter toute éventuelle usure. Les remplacer au besoin dans un atelier de réparation agréé.			X
Remplacer la bougie d'allumage. S'assurer que la bougie est dotée d'un sup- presseur.			X
Vérifier et nettoyer la maille pare-étincelles du silencieux (s'applique seulement aux silencieux sans pot catalytique).			X

Dépannage

Le moteur ne démarre pas.

Vérification	Cause possible	Procédure
Cliquets de lanceur à rappel.	Les cliquets de lanceur à rappel ne peuvent se déplacer librement.	Retirer le couvercle du démarreur et nettoyer autour des cliquets de lanceur à rappel.
		Laisser un agent d'entretien agréé vous aider.
Réservoir de carburant.	Type de carburant inapproprié.	Vidanger le réservoir de carburant et faire le plein avec le carburant correct.
Bougie d'allumage.	La bougie d'allumage est sale ou humide.	S'assurer que la bougie est propre et sèche.
	L'écartement des électrodes de la bougie d'allumage est incorrect.	Nettoyer la bougie d'allumage. Vérifier que l'écartement des électrodes est correct. S'assurer que la bougie d'allumage est dotée d'un supresseur.
		Consulter les caractéristiques techniques pour connaître l'écartement correct des électrodes.
La bougie d'allumage est desserrée.	Serrer la bougie d'allumage.	

Le moteur démarre mais s'arrête à nouveau

Vérifier	Cause possible	Procédure
Réservoir de carburant.	Type de carburant inapproprié.	Vider le réservoir de carburant et faire le plein avec le carburant correct.

Vérifier	Cause possible	Procédure
Filtre à air.	Le filtre à air est bouché.	Nettoyer le filtre à air.

Transport et entreposage

Transport et entreposage

- Pour le stockage et le transport du produit et du carburant, s'assurer qu'il n'y a pas de fuite ou de vapeur. Les étincelles ou les flammes nues, par exemple avec des appareils électriques ou des chaudières, peuvent démarrer un incendie.
- Utiliser toujours des contenants agréés pour entreposer ou transporter le carburant.
- Vider le réservoir de carburant avant tout transport ou remisage pendant une période prolongée. Mettre au rebut le carburant à un emplacement adéquat.
- Utiliser le fourreau de transport sur le produit afin d'éviter des blessures ou des dommages au produit. Une lame immobile peut également provoquer des blessures graves.
- Retirer le chapeau de la bougie.
- Fixer le produit de façon sécuritaire pendant le transport.

Caractéristiques techniques

Caractéristiques techniques

	130C (LT13028CCHV)	130L (LT13028CSHV)
Moteur		
Cylindrée, po3/cm ³	1,7/28	1,7/28
Régime de ralenti, tr/min	2800 à 3200	2800 à 3200
Régime maximal recommandé, tr/min	8000	8000
Régime de l'arbre sortant, tr/min	8000	5472
Puissance de sortie max. du moteur, conformément à la norme ISO 8893, kW/hp à tr/min	0,7/1 à 8000	0,7/1 à 8000
Silencieux du pot catalytique	Oui	Oui
Système d'allumage		
Bougie d'allumage	Champion QCJ-8Y	Champion QCJ-8Y
Écartement des électrodes, po/mm	0,024/0,6	0,024/0,6
Circuits d'alimentation et de lubrification		
Capacité du réservoir de carburant, pte US/ l	1,12/0,5	1,12/0,5
Poids		
Sans carburant, équipement de coupe, ni protections, lb (kg)	11,0/5,0	11,0/5,0

Accessoires

Accessoires

Les accessoires utilisés en combinaison avec les blocs moteurs indiqués ont été évalués selon la norme ANSI B175.3-2019 concernant les exigences en matière de sécurité pour les débroussailleuses et les coupe-herbes. Ces combinaisons ont été évaluées par Intertek et sont par conséquent homologuées ETL.

130C		
Accessoires homologués	Type	Protection de l'outil de coupe, réf. art.
Filetage de l'axe de lame 3/8 R		
Tête de désherbage	RapidReplace™, T25, T35 (2,03 à 2,67 mm (0,080 à 0,105 po) dans le fil de coupe-herbe)	531 12 79-13

130L		
Accessoires homologués	Type	Protection de l'outil de coupe, réf. art.
Filetage de l'axe de lame M10		
Tête de désherbage	RapidReplace™, T25, T35 (2,03 à 2,67 mm (0,080 à 0,105 po) dans le fil de coupe-herbe)	501 13 67-03

Les accessoires sont recommandés pour l'utilisation en combinaison avec les blocs moteurs indiqués et évalués selon les normes ISO- et EN concernant les exigences en matière de sécurité par SMP, l'institut suédois des tests de l'outillage mécanique.



www.husqvarna.com

Original instructions
Instrucciones originales
Instructions d'origine

1144705-49



2025-07-18