

HARCOAG PERSONNEL LIST

EQUIPMENT

| <i>On-Line Catalogue</i> | Business | Cellular |
|---|-----------------|-----------------|
| SALES MANAGER Jake (John) Harkness – jakeh@harcoag.ca | 519-338-2923 | 519-323-6119 |
| GENERAL MANAGER Jorja Harkness – jorjah@harcoag.ca | 519-338-2923 | |
| TRANSPORT MANAGER & SALES Wes Hope – wesh@harcoag.ca | 519-338-2923 | 519-323-1416 |
| TERRITORY SALES MANAGER Shannon Little – shannonl@harcoag.ca | 519-338-2923 | 519-323-7614 |
| PARTS Aaron Schaefer - parts@harcoag.ca | 519-338-2923 | 519-321-1173 |

HARCO AG CONTACT INFORMATION

5808 Highway 9, R.R. #4, Harriston, Ontario, N0G 1Z0

Office: 519-338-2923 • Fax: 519-338-2756

Watts: 1-800-461-0547 • Watts Fax: 1-800-650-1567

sales@harcoag.ca • www.harcoag.ca

AG SHIELD
SOLUTIONS FROM SEED TO HARVEST



Automatic

Big Jim
MANUFACTURING

BLU-JET
by Unserferth

DelMorino
FARM & GARDEN EQUIPMENT



FERRI

Halverson
HWP
Wood Products, Inc.

HCC
Complex Fabrication & Assembly

Highline



Mapleside
MFG INC

MAY-BRIDGE
HARROWS

NIKKEL
Iron Works Corp.
1-800-342-9222



PRODIG

PALADIN

ROTO GRIND



SCHMEISER

sitrex

Teagle

WEAVERLINE

MASTER INDEX - HARCO CATALOGUE 2026

VISIT OUR WEBSITE FOR CURRENT PRICE PAGES & SALES PROGRAMS – www.harcoag.ca

| PRODUCT | MANUFACTURER | SECTION/TAB | PAGE # | ON | PQ | MAR |
|-------------------------------------|----------------------|-------------|--------|-------------------------------------|----|-----|
| Aerators | T.G. Schmeiser | 1 | 27 | * | * | * |
| Aerators-Rolling Harrow | T.G. Schmeiser | 1 | 25-26 | * | * | * |
| Applicators, Liquid-Fertilizer | Big Jim | Big Jim Tab | 17-18 | * | * | * |
| | Blu-Jet (Unverferth) | | | <i>Contact HARCO T.M. or Office</i> | | |
| Augers | | | | <i>Contact HARCO T.M. or Office</i> | | |
| Back Filler-Trench/TrackMaster | Blu-Jet (Unverferth) | | | <i>Contact HARCO T.M. or Office</i> | | |
| Bag Filler (Buckets) | ProDig | ProDig Tab | | * | * | * |
| Bagger, Mulch | Weaverline | 4 | 56 | * | * | * |
| Bale Shredders | Teagle | 4 | 31-52 | * | | * |
| Bale Spears | Big Jim | Big Jim Tab | 21 | * | * | * |
| Bale Stackers | ProDig | ProDig Tab | | * | * | * |
| Bale Wagons | John B.M. Martin | 4 | 11-19 | | * | * |
| Bale Wrappers | Halverson | 3 | 20 | * | * | * |
| Balers | Sitrex | 3 | 48-48L | * | * | * |
| Bedding Choppers | Weaverline | 4 | 55-56 | * | * | * |
| Blades – 3PT | Ideal//Mapleside | Ideal Tab | 1-5 | * | * | * |
| Boom Mowers | Ferri | 3 | 55 | * | * | * |
| Box Scrapers | Ideal//Mapleside | Ideal Tab | 1-5 | * | * | * |
| Buckets | ProDig | ProDig Tab | | * | * | * |
| Canopy's – Mowers/Tractors | Cool Tops | 5 | 10-11 | * | * | * |
| Carts – Silage | Weaverline | 4 | 57 | * | * | * |
| Cement Mixers | Teagle | 4 | 31-52 | * | | * |
| Chain Harrows | May-Bridge | 1 | 30-30B | | * | * |
| Compactors//Rollers | Big Jim | Big Jim Tab | 10-12 | * | * | * |
| Coulters | Blu-Jet (Unverferth) | | | <i>Contact HARCO T.M. or Office</i> | | |
| Cultivators | Big Jim | Big Jim Tab | 19 | * | * | * |
| Cutters – Rotary | Del Morino | 1 | 48-50 | * | * | * |
| | Ideal//Mapleside | Ideal Tab | 1-5 | * | * | * |
| Discs (Offset-Tandem) Harrows | Athens | 1 | 54-74 | * | * | * |
| | Ideal | Ideal Tab | 1-4 | * | * | * |
| | T.G. Schmeiser | 1 | 27 | * | * | * |
| Drum Rollers, Lawn | Big Jim | Big Jim Tab | 10-12 | * | * | * |
| | Del Morino | 1 | 50 | * | * | * |
| Dump Trailers | John B.M. Martin | 4 | 11-19 | | * | * |
| Earth Moving – TerraFormer | Ag Shield | 5 | 5 | * | * | * |
| Feeder//Bedders | Teagle | 4 | 31-52 | * | | * |
| Feeder Wagons | John B.M. Martin | 4 | 11-19 | | * | * |
| Fertilizer Injector | Blu-Jet (Unverferth) | | | <i>Contact HARCO T.M. or Office</i> | | |
| Fertilizer Spreader – 3PT/Pull Type | Sitrex | 2 | 9 | * | * | * |
| | Ideal//Mapleside | Ideal Tab | 1-5 | * | * | * |
| Finishing Mowers | Ideal//Mapleside | Ideal Tab | 1-5 | * | * | * |
| Flail Mowers | Del Morino | 3 | 70-75 | * | * | * |
| | Ferri | 3 | 55 | * | * | * |
| Forestry Winch | Big Jim | Big Jim Tab | 16 | * | * | * |
| Forks-Grass, Manure, Pallet, Stone | ProDig | ProDig Tab | | * | * | * |
| Forks, Pallet | | | | | | |
| Grabs; Shear, Tine, Hydraulic | ProDig | ProDig Tab | | * | * | * |
| Grapple – Log, Brush, etc. | Big Jim | Big Jim Tab | 20 | * | * | * |
| | Ideal//Mapleside | Ideal Tab | 1-5 | * | * | * |

MASTER INDEX - HARCO CATALOGUE 2026

VISIT OUR WEBSITE FOR CURRENT PRICE PAGES & SALES PROGRAMS – www.harcoag.ca

| PRODUCT | MANUFACTURER | SECTION/TAB | PAGE # | ON | PQ | MAR |
|----------------------------------|-----------------------------|-------------------------------------|-------------------------------------|----|----|-----|
| Grass Forks | ProDig | ProDig Tab | | * | * | * |
| Harrows | May-Bridge | 1 | 30-30B | | * | * |
| Hay Rakes & Tedders | Nikkel-DARF | 3 | 50-52 | * | * | * |
| | Sitrex | 3 | 46-47a | * | * | * |
| Hay Conditioner | Ag Shield-Recon | 3 | 35 | * | * | * |
| Landscape Rakes | Ideal//Mapleside | Ideal Tab | 1-5 | * | * | * |
| Lawn Rollers | Big Jim | Big Jim Tab | 10 | * | * | * |
| | Del Morino | 1 | 50 | * | * | * |
| | Ideal//Mapleside | Ideal Tab | 1-5 | * | * | * |
| Liquid Applicator | Big Jim | Big Jim Tab | 17 | * | * | * |
| | Blu-Jet (Unverferth) | <i>Contact HARCO T.M. or Office</i> | | | | |
| Manure Spreaders | Teagle | 4 | 31-52 | * | | * |
| Mowers – Flail | Del Morino | 3 | 70-75 | * | * | * |
| | Ferri | 3 | 55 | * | * | * |
| Mowers – Rotary | Ideal//Mapleside | Ideal Tab | 1-5 | * | * | * |
| Mowers – Sickle | Sitrex | 3 | 44 | * | * | * |
| Mowers – Offset, Pull Behind | Del Morino | 3 | 70-75 | * | * | * |
| | Ferri | 3 | 55 | * | * | * |
| Mowers – Slope | Del Morino | 3 | 70-75 | * | * | * |
| Packers, Pulverizers | Big Jim | Big Jim Tab | 1-9 | * | * | * |
| | Weaverline | 3 | 5 | * | * | * |
| Pallet Forks | Ideal//Mapleside | Ideal Tab | 1-5 | * | * | * |
| Poly Wear Products | PolyTech | 5 | 35 | * | * | * |
| Post Driver | Big Jim | Big Jim Tab | 14-15 | * | * | * |
| | Ideal//Mapleside | Ideal Tab | 5 | | | |
| Primary Tillage | Blu-Jet (Unverferth) | <i>Contact HARCO T.M. or Office</i> | | | | |
| | Big Jim | Big Jim Tab | 19 | * | * | * |
| | T.G. Schmeiser (Smart-Till) | 1 | 25-26 | * | * | * |
| | T.G. Schmeiser | 1 | 27 | * | * | * |
| Pro Sweep | Athens | 1 | <i>Contact HARCO T.M. or Office</i> | | | |
| | ProDig | ProDig Tab | | * | * | * |
| Rakes – Hay | Sitrex | 3 | 46-47a | * | * | * |
| Rakes – Landscape | Nikkel – DARF | 3 | 50-52 | * | * | * |
| Rollers, Field (Drum), Landscape | Ag Shield | 1 | 19-23 | * | * | * |
| | Big Jim | Big Jim Tab | 10-12 | * | * | * |
| | Del Morino | 1 | 50 | * | * | * |
| Rollers, Municipal Park | Big Jim | Big Jim Tab | 13 | * | * | * |
| Rolling Harrow Aerator | T.G. Schmeiser (Smart-Till) | 1 | 25-26 | * | * | * |
| | T.G. Schmeiser | 1 | 27 | * | * | * |
| Rotary Cutters | Ideal//Mapleside | Ideal Tab | 1-5 | * | * | * |
| Rotary Tillers | Del Morino | 1 | 48-50 | * | * | * |
| | Ideal//Mapleside | Ideal Tab | 1-5 | * | * | * |
| Round Bale Wagons | John B.M. Martin | 4 | 11-19 | | * | * |
| Secondary Tillage | T.G. Schmeiser (Smart-Till) | 1 | 25-26 | * | * | * |

MASTER INDEX - HARCO CATALOGUE 2026

VISIT OUR WEBSITE FOR CURRENT PRICE PAGES & SALES PROGRAMS – www.harcoag.ca

| PRODUCT | MANUFACTURER | SECTION/TAB | PAGE # | ON | PQ | MAR |
|---|--------------------------------|-------------------------------------|--------|----|----|-----|
| Sickle Mowers | Sitrex | 3 | 44 | * | * | * |
| Silage Carts | Weaverline | 4 | 57 | * | * | * |
| Silage Packer | Weaverline | 3 | 5 | * | * | * |
| Slope Mowers | Del Morino | 3 | 70-75 | * | * | * |
| Slope Mowers | Ferri | 3 | 55 | * | * | * |
| SMV Signs | Toby's Mfg. | 5 | 30 | * | * | * |
| Snow Pushers | Ideal//Mapleside | Ideal Tab | 1-5 | * | * | * |
| Spike Aerator/Rolling Harrows | T.G. Schmeiser (Smart-Till) | 1 | 25-26 | * | * | * |
| | T.G. Schmeiser | 1 | 27 | * | * | * |
| Sprayers-ATV, Side by Side, Truck, 3pt. | Ag Shield | 3 | 39-41 | * | * | * |
| Sub-Tillers | Blu-Jet (Unverferth) | <i>Contact HARCO T.M. or Office</i> | | | | |
| Sweepers (Sweepsters) | Paladin | <i>Contact HARCO T.M. or Office</i> | | | | |
| Sweepers | ProDig | ProDig Tab | | * | * | * |
| Tedders | Sitrex | 3 | 46-47a | * | * | * |
| Tillage | Blu-Jet (Unverferth) | <i>Contact HARCO T.M. or Office</i> | | | | |
| | Big Jim | Big Jim Tab | 19 | * | * | * |
| | T.G. Schmeiser (Smart-Till) | 1 | 25-26 | * | * | * |
| Tillers – Rotary | Ideal//Mapleside | Ideal Tab | 1-5 | * | * | * |
| | Del Morino | 1 | 48-50 | * | * | * |
| Trailers (Multi)-Hay Hauling | Ag Shield | 3 | 42 | * | * | * |
| TrenchMaster | Blu-Jet (Unverferth) | <i>Contact HARCO T.M. or Office</i> | | | | |
| Tub Grinders | Roto-Grind | 4 | 25 | * | * | * |
| | Teagle | 4 | 31-52 | * | | * |
| Vertical Tillage | T.G. Schmeiser (Smart-Till) | 1 | 25-26 | * | * | * |
| Wagons | John B.M. Martin | 4 | 11-19 | | * | * |
| Wheel Rakes | Sitrex | 3 | 46-47a | * | * | * |
| Winch – Timber | Big Jim | Big Jim Tab | 16 | * | * | * |
| Wood Processors | Halverson | 5 | 14-16 | * | * | * |
| Wrappers (Bale) | Sitrex | 3 | 48-48L | * | * | * |
| | Halverson | 3 | 20 | * | * | * |

**Please Note: On Rep'd products dealers will be using company prices which may be in U.S. Funds. Funds may also be FOB factory prices. HARCO discounts and programs do not apply.*

For current up to date pricing, please visit our website – www.harcoag.ca

Contact HARCO Head Office or your TM for login information to access our most CURRENT PRICE PAGES & SALES PROGRAMS.



5808 Hwy #9, Harriston, Ont., N0G 1Z0

519-338-2923, Fax: 519-338-2756

Email: sales@harcoag.ca

www.harcoag.ca

Revised: Jan 1, 2026

**BIG JIM
TAB**



WHEEL PACKERS

Manufactured in-house at Harco Ag Equipment, Big Jim Packers are designed to give you greater durability and feature adjustable frames up to 15' models to permit exact matching of packer width to customer requirements. Our "DUCTILE WHEELS" are a top quality, thicker, heavier wheel which is a major improvement in reducing wheel breakage. For wider models, please inquire.

Standard Equipment:

High Quality Ductile Wheels, centre bearing 9 feet and up, adjustable frame 9-15 feet, 3-year limited warranty on ductile packer wheels.

Single Gang Specifications (9-15 feet):

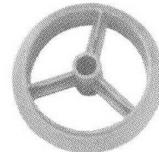
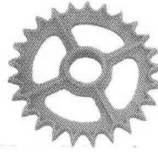
Tubular frame construction 3/16" wall tongue and centre tube, 1/4" wall extension tubes, nine-foot tongue length, 1/2" x 6" bearing hangers, bearing mounted in hanger for rock protection, the bearing has a wide inner ring for more shaft contact, eccentric locking collar and duplex seal consisting of an oil-proof synthetic rubber seal and a steel slinger, greaseable flange, heavy duty ductile iron wheel retaining collar designed by HARCO, Grade 5 hardware, rear draw hitch.

BIG JIM's exclusive telescopic frame allows dealers to tailor packer width in-house.

Colour Options: Red, Green & Blue, Orange

16 Foot Single Gang Packer Specifications:

4" x 4" x 1/4" wall tubular construction, 11-foot tongue length, 1/2" x 6" bearing hangers, flat bar reinforced, bearings mount inside for rock protection, 2 centre bearing hangers, rear draw hitch.



15" – 33 lbs / Set

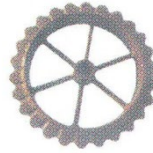
18" – 50 lbs / Set

Single Gang Packer with 15" Ductile Iron Smooth/Sprocket Wheel Combination

| Model | Coverage | Description | Weight (lbs) | Price |
|---------|----------|------------------------------------|--------------|------------|
| BJ303 | 3' | Sprocket Packer Pup | 543 | \$2,426.00 |
| BJ304 | 4' | Sprocket Packer Pup | 675 | \$2,808.00 |
| BJ305 | 5' | Sprocket Packer Pup | 794 | \$3,187.00 |
| BJ306 | 6' | Sprocket Packer Pup | 920 | \$3,568.00 |
| BJ309C | 9' | Sprocket Packer – Extendable Frame | 1,316 | \$5,788.00 |
| BJ3010C | 10' | Sprocket Packer – Extendable Frame | 1,477 | \$6,243.00 |
| BJ3011C | 11' | Sprocket Packer – Extendable Frame | 1,560 | \$6,729.00 |
| BJ3012C | 12' | Sprocket Packer – Extendable Frame | 1,720 | \$7,197.00 |
| BJ3013C | 13' | Sprocket Packer – Extendable Frame | 1,799 | \$7,667.00 |
| BJ3014C | 14' | Sprocket Packer – Extendable Frame | 1,878 | \$8,134.00 |
| BJ3015C | 15' | Sprocket Packer – Extendable Frame | 2,003 | \$8,609.00 |
| BJ3016 | 16' | Sprocket Packer – Solid Frame | 2,120 | \$9,613.00 |

Single Gang Packer with 18" Ductile Iron Smooth/Sprocket Wheel Combination

| Model | Coverage | Description | Weight (lbs) | Price |
|---------|----------|------------------------------------|--------------|-------------|
| BJ318 | 3' | Sprocket Packer Pup | 778 | \$2,974.00 |
| BJ418 | 4' | Sprocket Packer Pup | 969 | \$3,415.00 |
| BJ518 | 5' | Sprocket Packer Pup | 1,163 | \$3,860.00 |
| BJ618 | 6' | Sprocket Packer Pup | 1,328 | \$4,295.00 |
| BJ918C | 9' | Sprocket Packer – Extendable Frame | 1,872 | \$6,685.00 |
| BJ1018C | 10' | Sprocket Packer – Extendable Frame | 2,214 | \$7,202.00 |
| BJ1118C | 11' | Sprocket Packer – Extendable Frame | 2,371 | \$7,722.00 |
| BJ1218C | 12' | Sprocket Packer – Extendable Frame | 2,604 | \$8,240.00 |
| BJ1318C | 13' | Sprocket Packer – Extendable Frame | 2,757 | \$8,761.00 |
| BJ1418C | 14' | Sprocket Packer – Extendable Frame | 2,910 | \$9,279.00 |
| BJ1518C | 15' | Sprocket Packer – Extendable Frame | 3,108 | \$9,802.00 |
| BJ1618C | 16' | Sprocket Packer – Solid Frame | 3,250 | \$10,922.00 |

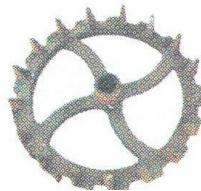


40 lbs. Each

Single Gang Packer with 19" Ductile Notched Wheels

Scrapers Per Foot - \$87.00

| Model | Coverage | Description | Weight (lbs) | Price |
|---------|----------|---|--------------|-------------|
| BJ319 | 3' | Notched Wheel Packer Pup | 719 | \$2,582.00 |
| BJ419 | 4' | Notched Wheel Packer Pup | 909 | \$3,207.00 |
| BJ519 | 5' | Notched Wheel Packer Pup | 1,088 | \$4,244.00 |
| BJ619 | 6' | Notched Wheel Packer Pup | 1,238 | \$4,352.00 |
| BJ919C | 9' | Notched Wheel Packer – Extendable Frame | 1,845 | \$6,544.00 |
| BJ1019C | 10' | Notched Wheel Packer – Extendable Frame | 2,064 | \$7,013.00 |
| BJ1119C | 11' | Notched Wheel Packer – Extendable Frame | 2,206 | \$7,481.00 |
| BJ1219C | 12' | Notched Wheel Packer – Extendable Frame | 2,424 | \$7,953.00 |
| BJ1319C | 13' | Notched Wheel Packer – Extendable Frame | 2,562 | \$8,422.00 |
| BJ1419C | 14' | Notched Wheel Packer – Extendable Frame | 2,700 | \$8,889.00 |
| BJ1519C | 15' | Notched Wheel Packer – Extendable Frame | 2,883 | \$9,357.00 |
| BJ1619C | 16' | Notched Wheel Packer – Solid Frame | 3,010 | \$10,566.00 |



45 lbs. Each

Single Gang Packer with 20" Ductile Crowfoot Wheels

| Model | Coverage | Description | Weight (lbs) | Price |
|---------|----------|------------------------------------|--------------|------------|
| BJ320 | 3' | Crowfoot Packer Pup | 529 | \$2,227.00 |
| BJ420 | 4' | Crowfoot Packer Pup | 639 | \$2,869.00 |
| BJ520 | 5' | Crowfoot Packer Pup | 749 | \$3,513.00 |
| BJ620 | 6' | Crowfoot Packer Pup | 859 | \$4,164.00 |
| BJ920C | 9' | Crowfoot Packer – Extendable Frame | 1,235 | \$5,635.00 |
| BJ1020C | 10' | Crowfoot Packer – Extendable Frame | 1,288 | \$6,001.00 |
| BJ1120C | 11' | Crowfoot Packer – Extendable Frame | 1,461 | \$6,364.00 |
| BJ1220C | 12' | Crowfoot Packer – Extendable Frame | 1,612 | \$6,729.00 |
| BJ1320C | 13' | Crowfoot Packer – Extendable Frame | 1,682 | \$7,093.00 |
| BJ1420C | 14' | Crowfoot Packer – Extendable Frame | 1,752 | \$7,454.00 |
| BJ1520C | 15' | Crowfoot Packer – Extendable Frame | 1,868 | \$7,816.00 |
| BJ1620C | 16' | Crowfoot Packer – Solid Frame | 2,012 | \$8,648.00 |



Transport Kits

- Bolts to single gang packers with 4" x 4" frame
- **Consists of:** 3000 PSI Cylinders, hoses and couplers, 15" x 6" x 6-bolt rims with 9.5L-15 tires, 4000 lb. hubs, implement jack, safety chain, SMV sign and all necessary hardware for installation.

| Model | Description | Weight (lbs) | Price |
|---------|------------------------------------|---------------------|------------|
| BJ330 | Transport Kit (Single Wheel) | 390 | \$3,732.00 |
| BJ330-D | Transport Kit (Dual Wheel) | 470 | \$4,815.00 |
| BJ331-D | Transport Kit (16 Foot Dual Wheel) | 470 | \$4,846.00 |
| BJLK | LED Light Kit | | \$616.00 |
| Set Up | | \$191.00 Dealer Net | |

Three Point Hitch Packer (New Models)

Choose required model from above price list and add 3 PTH to model number. For example: BJ1419C-3PTH comes less tongue and braces.

Use same prices as on standard single gang packers.

Three Point Hitch Kit (In Service Packers)

Consists of: Lower link brackets, u-bolt mount, centre link post, rear tow hitch, all necessary mounting hardware and jack stand.

Does not include pins.

BJ173

95 lbs.

\$970.00



FOLDING WHEEL PACKERS

BIG JIM VERTICAL packers available in sizes 16 to 20 feet and VERTICAL FLEX WING packers available in 21 to 50 feet, feature the same high quality ductile wheels as our single gang packers.

- Floating gangs to contour ground better
- Transport wheels ahead of centre gang for reduced tongue weight
- Heavy tubular frame construction
- Improved centre gang flotation for reduced stress on centre packer wheels
- Packer guaranteed to meet footage noted
- **Colour Options: Red, Green, Blue & Orange**

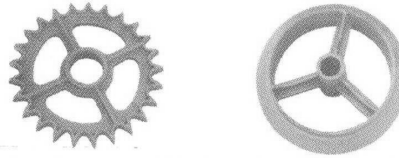
Standard Equipment:

- 3000 PSI cylinders, hoses & couplers
- 7000 lb drop leg tongue jack
- Highway lights & reflective tape
- 3 year limited warranty on ductile wheels
- Greasable wheel gang bearings
- Perfect hitch – forged, adjustable pintle/clevis
- DOT tagged safety chains
- 9.5L – 15 8-Ply Tires (16-20 foot models)
- 11L – 15 8-Ply Tires (21-40 foot models)

Note: See below for standard hydraulic set up and optional hydraulic configurations available for each model of packer.

Big Jim Optional Hydraulic Folding Packages

| Package | List |
|--|-------------|
| <u>Mini V Packer – 16 – 20 feet #BJHPMV1</u> Standard hydraulics includes 1 set of hoses, controls, wings & wheel legs Hydraulic option #1 includes 2 sets of hoses – 1 for wings & 1 for wheel legs | \$536.00 |
| <u>3 Section Vertical Fold Packer – 21 – 32 feet #BJHPVF1</u> Standard hydraulics includes 1 set of hoses, controls, wings & wheel legs Hydraulic option #1 includes 2 sets of hoses – 1 for wings & 1 for wheel legs | \$642.00 |
| <u>5 Section Vertical Fold Packer – 32 – 40 feet #BJHPDVF1</u> Standard hydraulics includes 2 sets of hoses – 1 set for inner wing & wheel legs, 1 set for outer wings Hydraulic option #1 includes 3 sets of hoses – 1 set for inner wings, 1 set for outer wings & 1 set for wheel legs | \$1,178.00 |



18" – 50 lbs. / Set

Helpful Tip:

Model Number Abbreviations:

MV = Mini Vertical Fold

VF = Vertical Fold

DVF = Double Wing Vertical Fold

Mini Vertical Fold with 18" Ductile Smooth/Sprocket Wheel Combination

| Model | Coverage | Description | Weight (lbs) | Transport Width | Transport Height | Price |
|----------|----------|----------------------|--------------|-----------------|------------------|-------------|
| BJ1816MV | 16' | Vertical Fold Packer | 3,945 | 11' 6" | | \$24,006.00 |
| BJ1817MV | 17' | Vertical Fold Packer | 4,084 | 11' 6" | | \$24,573.00 |
| BJ1818MV | 18' | Vertical Fold Packer | 4,223 | 11' 6" | | \$25,125.00 |
| BJ1819MV | 19' | Vertical Fold Packer | 4,362 | 11' 6" | | \$25,783.00 |
| BJ1820MV | 20' | Vertical Fold Packer | 4,501 | 11' 6" | | \$26,930.00 |

3 Section Super Flex Packer with 18" Ductile Smooth/Sprocket Wheel Combination

| Model | Coverage | Description | Weight (lbs) | Transport Width | Transport Height | Price |
|----------|----------|-----------------------------|--------------|-----------------|------------------|-------------|
| BJ1821VF | 21' | 3 Section Super Flex Packer | 6,624 | 12' 8" | 10' | \$31,625.00 |
| BJ1822VF | 22' | 3 Section Super Flex Packer | 6,772 | 12' 8" | 10' 6" | \$32,942.00 |
| BJ1823VF | 23' | 3 Section Super Flex Packer | 7,020 | 12' 8" | 11' | \$34,260.00 |
| BJ1824VF | 24' | 3 Section Super Flex Packer | 7,168 | 12' 8" | 11' 6" | \$35,559.00 |
| BJ1825VF | 25' | 3 Section Super Flex Packer | 7,416 | 12' 8" | 12' | \$36,861.00 |
| BJ1826VF | 26' | 3 Section Super Flex Packer | 7,776 | 12' 8" | 12' 6" | \$38,648.00 |
| BJ1827VF | 27' | 3 Section Super Flex Packer | 8,024 | 12' 8" | 13' | \$39,950.00 |
| BJ1828VF | 28' | 3 Section Super Flex Packer | 8,172 | 14' 8" | 12' 6" | \$41,254.00 |
| BJ1829VF | 29' | 3 Section Super Flex Packer | 8,420 | 14' 8" | 13' | \$42,553.00 |
| BJ1830VF | 30' | 3 Section Super Flex Packer | 8,648 | 16' 8" | 12' 6" | \$43,852.00 |
| BJ1831VF | 31' | 3 Section Super Flex Packer | 8,896 | 16' 8" | 13' | \$45,153.00 |
| BJ1832VF | 32' | 3 Section Super Flex Packer | 9,044 | 16' 8" | 13' 6" | \$46,376.00 |

5 Section Super Flex Packer with 18" Ductile Smooth/Sprocket Wheel Combination

| Model | Coverage | Description | Weight (lbs) | Transport Width | Transport Height | Price |
|-----------|----------|-----------------------------|--------------|-----------------|------------------|-------------|
| BJ1833DVF | 33' | 5 Section Super Flex Packer | 9,544 | 14' 8" | 10' 9" | \$52,092.00 |
| BJ1834DVF | 34' | 5 Section Super Flex Packer | 9,692 | 14' 8" | 10' 9" | \$53,056.00 |
| BJ1835DVF | 35' | 5 Section Super Flex Packer | 9,940 | 14' 8" | 11' 3" | \$54,017.00 |
| BJ1836DVF | 36' | 5 Section Super Flex Packer | 10,188 | 14' 8" | 11' 3" | \$54,981.00 |
| BJ1837DVF | 37' | 5 Section Super Flex Packer | 10,336 | 14' 8" | 11' 9" | \$55,943.00 |
| BJ1838DVF | 38' | 5 Section Super Flex Packer | 10,584 | 14' 8" | 11' 9" | \$56,907.00 |
| BJ1839DVF | 39' | 5 Section Super Flex Packer | 10,732 | 14' 8" | 12' 3" | \$57,865.00 |
| BJ1840DVF | 40' | 5 Section Super Flex Packer | 10,980 | 14' 8" | 12' 3" | \$58,833.00 |
| BJ1842DVF | 42' | 5 Section Super Flex Packer | 11,270 | 14' 8" | 12' 9" | \$60,019.00 |
| BJ1845DVF | 45' | 5 Section Super Flex Packer | 11,810 | 16' 8" | 13' | \$62,781.00 |

FOB HARRISTON – DESIGN & PRICE ARE SUBJECT TO CHANGE WITHOUT NOTICE



40 lbs. Each; 3 Per Foot

Helpful Tip:

Model Number Abbreviations:

MV = Mini Vertical Fold

VF = Vertical Fold

DVF = Double Wing Vertical Fold

Scrapers \$87.00 per foot

Mini Vertical Fold with 19" Notched Ductile Wheels

| Model | Coverage | Description | Weight (lbs) | Transport Width | Transport Height | Price |
|----------|----------|----------------------|--------------|-----------------|------------------|-------------|
| BJ1916MV | 16' | Vertical Fold Packer | 3,945 | 11' 6" | | \$23,213.00 |
| BJ1917MV | 17' | Vertical Fold Packer | 4,084 | 11' 6" | | \$23,815.00 |
| BJ1918MV | 18' | Vertical Fold Packer | 4,223 | 11' 6" | | \$24,169.00 |
| BJ1919MV | 19' | Vertical Fold Packer | 4,362 | 11' 6" | | \$24,700.00 |
| BJ1920MV | 20' | Vertical Fold Packer | 4,501 | 11' 6" | | \$25,760.00 |

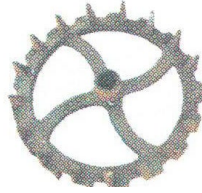
3-Section Super Flex Packer with 19" Notched Ductile Wheels

| Model | Coverage | Description | Weight (lbs) | Transport Width | Transport Height | Price |
|----------|----------|-----------------------------|--------------|-----------------|------------------|-------------|
| BJ1921VF | 21' | 3 Section Super Flex Packer | 5,994 | 12' 8" | 10' | \$28,295.00 |
| BJ1922VF | 22' | 3 Section Super Flex Packer | 6,202 | 12' 8" | 10' 6" | \$29,584.00 |
| BJ1923VF | 23' | 3 Section Super Flex Packer | 6,330 | 12' 8" | 11' | \$31,041.00 |
| BJ1924VF | 24' | 3 Section Super Flex Packer | 6,538 | 12' 8" | 11' 6" | \$32,375.00 |
| BJ1925VF | 25' | 3 Section Super Flex Packer | 6,666 | 12' 8" | 12' | \$33,700.00 |
| BJ1926VF | 26' | 3 Section Super Flex Packer | 6,874 | 12' 8" | 12' 6" | \$35,517.00 |
| BJ1927VF | 27' | 3 Section Super Flex Packer | 7,002 | 12' 8" | 13' | \$36,847.00 |
| BJ1928VF | 28' | 3 Section Super Flex Packer | 7,210 | 14' 8" | 12' 6" | \$38,176.00 |
| BJ1929VF | 29' | 3 Section Super Flex Packer | 7,338 | 14' 8" | 13' | \$39,506.00 |
| BJ1930VF | 30' | 3 Section Super Flex Packer | 7,626 | 16' 8" | 12' 6" | \$41,037.00 |
| BJ1931VF | 31' | 3 Section Super Flex Packer | 7,754 | 16' 8" | 13' | \$42,368.00 |
| BJ1932VF | 32' | 3 Section Super Flex Packer | 7,962 | 16' 8" | 13' 6" | \$43,697.00 |

5-Section Super Flex Packer with 19" Notched Ductile Wheels

| Model | Coverage | Description | Weight (lbs) | Transport Width | Transport Height | Price |
|-----------|----------|-----------------------------|--------------|-----------------|------------------|-------------|
| BJ1933DVF | 33' | 5 Section Super Flex Packer | 8,564 | 14' 8" | 10' 9" | \$48,308.00 |
| BJ1934DVF | 34' | 5 Section Super Flex Packer | 8,772 | 14' 8" | 10' 9" | \$49,212.00 |
| BJ1935DVF | 35' | 5 Section Super Flex Packer | 8,900 | 14' 8" | 11' 3" | \$50,551.00 |
| BJ1936DVF | 36' | 5 Section Super Flex Packer | 9,108 | 14' 8" | 11' 3" | \$51,874.00 |
| BJ1937DVF | 37' | 5 Section Super Flex Packer | 9,236 | 14' 8" | 11' 9" | \$53,200.00 |
| BJ1938DVF | 38' | 5 Section Super Flex Packer | 9,444 | 14' 8" | 11' 9" | \$54,536.00 |
| BJ1939DVF | 39' | 5 Section Super Flex Packer | 9,572 | 14' 8" | 12' 3" | \$55,865.00 |
| BJ1940DVF | 40' | 5 Section Super Flex Packer | 9,780 | 14' 8" | 12' 3" | \$57,197.00 |
| BJ1942DVF | 42' | 5 Section Super Flex Packer | 10,040 | 14' 8" | 12' 9" | \$58,601.00 |
| BJ1945DVF | 45' | 5 Section Super Flex Packer | 10,508 | 16' 8" | 13' | \$61,341.00 |

FOB HARRISTON – DESIGN & PRICE ARE SUBJECT TO CHANGE WITHOUT NOTICE



45 lbs. Each; 2 Per Foot

Helpful Tip:

Model Number Abbreviations:

MV = Mini Vertical Fold

VF = Vertical Fold

DVF = Double Wing Vertical Fold

Mini Vertical Fold with 20" Ductile Crowfoot Wheels

| Model | Coverage | Description | Weight (lbs) | Transport Width | Transport Height | Price |
|----------|----------|----------------------|--------------|-----------------|------------------|-------------|
| BJ2020MV | 16' | Vertical Fold Packer | 3,300 | 11' 6" | | \$20,607.00 |
| BJ2017MV | 17' | Vertical Fold Packer | 3,471 | 11' 6" | | \$21,000.00 |
| BJ2018MV | 18' | Vertical Fold Packer | 3,602 | 11' 6" | | \$21,410.00 |
| BJ2019MV | 19' | Vertical Fold Packer | 3,730 | 11' 6" | | \$21,789.00 |
| BJ2020MV | 20' | Vertical Fold Packer | 3,866 | 11' 6" | | \$22,152.00 |

3-Section Super Flex Packer with 20" Ductile Crowfoot Wheels

| Model | Coverage | Description | Weight (lbs) | Transport Width | Transport Height | Price |
|----------|----------|-----------------------------|--------------|-----------------|------------------|-------------|
| BJ2021VF | 21' | 3 Section Super Flex Packer | 5,150 | 12' 8" | 10' | \$25,456.00 |
| BJ2022VF | 22' | 3 Section Super Flex Packer | 5,289 | 12' 8" | 10' 6" | \$26,595.00 |
| BJ2023VF | 23' | 3 Section Super Flex Packer | 5,427 | 12' 8" | 11' | \$28,018.00 |
| BJ2024VF | 24' | 3 Section Super Flex Packer | 5,565 | 12' 8" | 11' 6" | \$29,155.00 |
| BJ2025VF | 25' | 3 Section Super Flex Packer | 5,703 | 12' 8" | 12' | \$30,291.00 |
| BJ2026VF | 26' | 3 Section Super Flex Packer | 6,043 | 12' 8" | 12' 6" | \$31,669.00 |
| BJ2027VF | 27' | 3 Section Super Flex Packer | 6,181 | 12' 8" | 13' | \$32,808.00 |
| BJ2028VF | 28' | 3 Section Super Flex Packer | 6,319 | 14' 8" | 12' 6" | \$33,946.00 |
| BJ2029VF | 29' | 3 Section Super Flex Packer | 6,457 | 14' 8" | 13' | \$35,086.00 |
| BJ2030VF | 30' | 3 Section Super Flex Packer | 6,675 | 16' 8" | 12' 6" | \$37,524.00 |
| BJ2031VF | 31' | 3 Section Super Flex Packer | 6,813 | 16' 8" | 13' | \$39,964.00 |
| BJ2032VF | 32' | 3 Section Super Flex Packer | 6,951 | 16' 8" | 13' 6" | \$42,403.00 |

5-Section Super Flex Packer with 20" Ductile Crowfoot Wheels

| Model | Coverage | Description | Weight (lbs) | Transport Width | Transport Height | Price |
|-----------|----------|-----------------------------|--------------|-----------------|------------------|-------------|
| BJ2033DVF | 33' | 5 Section Super Flex Packer | 7,614 | 14' 8" | 10' 9" | \$43,193.00 |
| BJ2034DVF | 34' | 5 Section Super Flex Packer | 7,752 | 14' 8" | 10' 9" | \$44,380.00 |
| BJ2035DVF | 35' | 5 Section Super Flex Packer | 7,890 | 14' 8" | 11' 3" | \$45,574.00 |
| BJ2036DVF | 36' | 5 Section Super Flex Packer | 8,028 | 14' 8" | 11' 3" | \$46,758.00 |
| BJ2037DVF | 37' | 5 Section Super Flex Packer | 8,166 | 14' 8" | 11' 9" | \$47,950.00 |
| BJ2038DVF | 38' | 5 Section Super Flex Packer | 8,304 | 14' 8" | 11' 9" | \$49,134.00 |
| BJ2039DVF | 39' | 5 Section Super Flex Packer | 8,442 | 14' 8" | 12' 3" | \$50,320.00 |
| BJ2040DVF | 40' | 5 Section Super Flex Packer | 8,580 | 14' 8" | 12' 3" | \$51,507.00 |
| BJ2042DVF | 42' | 5 Section Super Flex Packer | 8,740 | 14' 8" | 12' 9" | \$52,855.00 |
| BJ2045DVF | 45' | 5 Section Super Flex Packer | 9,020 | 16' 8" | 13' 3" | \$56,729.00 |
| BJ2048DVF | 48' | 5 Section Super Flex Packer | 9,470 | 16' 8" | 13' 9" | \$60,285.00 |
| BJ2050DVF | 50' | 5 Section Super Flex Packer | 9,770 | 16' 8" | 14' 3" | \$61,426.00 |



SUPERFLEX MAGNUM PACKERS

| 5 Section Superflex Magnum with 18" Ductile Smooth/Sprocket Wheel Combination | | | | | |
|--|-----------------|-----------------------------------|---------------------------------|------------------------|--------------|
| Model | Coverage | Description | Approximate Weight (lbs) | Transport Width | Price |
| BJ1845VFM | 45' | 5 Section Superflex Magnum Packer | 16,234 | 16' 8" | \$84,857.00 |
| BJ1848VFM | 48' | 5 Section Superflex Magnum Packer | 16,945 | 16' 8" | \$87,458.00 |
| BJ1850VFM | 50' | 5 Section Superflex Magnum Packer | 17,452 | 16' 8" | \$89,182.00 |

Scrapers Per Foot - \$90.00

| 5 Section Superflex Magnum with 19" Ductile Notched Wheels | | | | | |
|---|-----------------|-----------------------------------|---------------------------------|------------------------|--------------|
| Model | Coverage | Description | Approximate Weight (lbs) | Transport Width | Price |
| BJ1945 | 45' | 5 Section Superflex Magnum Packer | 14,873 | 16' 8" | \$81,968.00 |
| BJ1948 | 48' | 5 Section Superflex Magnum Packer | 15,499 | 16' 8" | \$84,353.00 |
| BJ1950 | 50' | 5 Section Superflex Magnum Packer | 15,934 | 16' 8" | \$85,935.00 |



DRUM ROLLERS

Big Jim Drum Rollers are made in-house at Harriston, Ontario. All rollers from 4 feet to 34 feet use a 30" diameter x 3/8" wall tube for the drum.

Heavy Duty Lawn Rollers

The Heavy Duty Lawn Rollers feature 3/8" drum material, 1" centre shaft, and bearings with pressed steel flanges, 10 gauge end plates, 1 1/4" fill plug and 3/4" vent plug, formed side plates, 2" x 2" tongue and front tube.

| Model | Description | Dry Weight (lbs) | Price |
|----------|---------------------------|------------------|------------|
| BJLR4-HD | 4' Heavy Duty Lawn Roller | 606 | \$1,822.00 |
| BJLR5-HD | 5' Heavy Duty Lawn Roller | 733 | \$2,107.00 |
| BJLR6-HD | 6' Heavy Duty Lawn Roller | 864 | \$2,409.00 |

Colour Options are available during Early Order Program ONLY

Colour Options: Red, Green, Blue & Orange

Extra Heavy Duty Lawn Rollers

The Extra Heavy Duty Lawn Rollers feature 3/8" drum material, 1 3/4" centre shaft and greaseable pillow block bearings, 1/4" end plates, 1 1/4" fill plug and 3/4" vent plug, 2" x 2" tubular tongue and frame.

| Model | Description | Dry Weight (lbs) | Price |
|-----------|---------------------------------|------------------|------------|
| BJLR4-EHD | 4' Extra Heavy Duty Lawn Roller | 720 | \$2,440.00 |
| BJLR5-EHD | 5' Extra Heavy Duty Lawn Roller | 857 | \$2,739.00 |
| BJLR6-EHD | 6' Extra Heavy Duty Lawn Roller | 998 | \$3,046.00 |
| BJLR7-EHD | 7' Extra Heavy Duty Lawn Roller | 1,135 | \$3,336.00 |
| BJLR8-EHD | 8' Extra Heavy Duty Lawn Roller | 1,272 | \$3,642.00 |

Colour Options: Red, Green, Blue & Orange

Note: Drum holds 4.666 cubic feet per foot. Water at 62.5 lbs. per cubic foot adds 291.61 lbs. per foot.



SINGLE GANG ROLLERS

Single Gang Rollers feature standard scrapers, 1 3/4" bearing shaft, double end plates (outer 3/8" thick and inner 1/4" thick), SMV sign mount bracket, welded clevis hitch, 4" x 4" x 1/4" tubular frame, 1 3/4" flanged bearings and reflective tape.

Colour Options: Red, Green, Blue & Orange

| Model | Coverage | Description | Weight (lbs.) | Price |
|--------|----------|--------------------|---------------|------------|
| BJDR09 | 9' 6" | Single Gang Roller | 2,213 | \$6,629.00 |
| BJDR10 | 10' 6" | Single Gang Roller | 2,362 | \$7,089.00 |
| BJDR11 | 11' 6" | Single Gang Roller | 2,511 | \$7,545.00 |
| BJDR12 | 12' 6" | Single Gang Roller | 2,660 | \$8,003.00 |
| BJDR13 | 13' 6" | Single Gang Roller | 2,809 | \$8,460.00 |
| BJDR14 | 14' 6" | Single Gang Roller | 2,958 | \$8,916.00 |
| BJDR15 | 15' 6" | Single Gang Roller | 3,107 | \$9,376.00 |
| BJDR16 | 16' 6" | Single Gang Roller | 3,256 | \$9,832.00 |

Transport Kits – 3000 PSI cylinders, hoses & couplers, 15" wheels w/9.5L-15 8-ply and tube, DOT safety chain, SMV sign, mount & bracket, 5000 lb. top wind jack

| Model | Description | Weight (lbs.) | Price |
|-----------|----------------------------|---------------|------------|
| BJDR332 | Transport Kit | 390 | \$3,754.00 |
| BJDR332-D | Transport Kit – Dual Wheel | 470 | \$5,058.00 |
| BJLK | LED Light Kit | | \$660.00 |

Dealer: Allow 1.5 hours for final assembly



FOLDING ROLLERS

Big Jim Folding Rollers feature standard scrapers, 6" x 6" x 1/4" wall tubular main frame, 6" x 4" x 1/4" wall wing frames, 2-7/16" bearing shafts, 2-7/16" greaseable ductile pillow block bearings, 3000 PSI cylinders, hoses and couples, 6" x 4" x 3/8" wall tongue (26' – 34' models), 6" x 4" x 1/4" wall tongue (20' – 25' models), 11L – 15, 8-Ply Tires x 4, "PERFECT HITCH" – Forged adjustable clevis, safety chains, transport lights, SMV mount bracket and reflective tape all standard.



Colour Options: **Red, Green, Blue & Orange**

| Model | Coverage | Description | Weight (lbs.) | Transport Width | Transport Height | Price |
|--------|----------|-------------|---------------|-----------------|------------------|-------------|
| BJDR20 | 20' 6" | Folding | 6,602 | 12' | 9'6" | \$34,688.00 |
| BJDR21 | 21' 6" | Folding | 6,756 | 12' | 10' | \$35,140.00 |
| BJDR22 | 22' 6" | Folding | 6,910 | 12' | 10' 6" | \$35,589.00 |
| BJDR23 | 23' 6" | Folding | 7,064 | 12' | 11' | \$36,036.00 |
| BJDR24 | 24' 6" | Folding | 7,218 | 12' | 11' 6" | \$36,488.00 |
| BJDR25 | 25' 6" | Folding | 7,672 | 12' | 12' | \$36,932.00 |
| BJDR26 | 26' 6" | Folding | 7,826 | 14' | 11' 6" | \$37,385.00 |
| BJDR27 | 27' 6" | Folding | 7,980 | 14' | 12' | \$37,828.00 |
| BJDR28 | 28' 6" | Folding | 8,134 | 14' | 12' 6" | \$38,281.00 |
| BJDR29 | 29' 6" | Folding | 8,288 | 14' | 13' | \$38,730.00 |
| BJDR30 | 30' 6" | Folding | 8,442 | 14' | 13' 6" | \$39,177.00 |
| BJDR31 | 31' 6" | Folding | 8,596 | 16' | 13' | \$39,628.00 |
| BJDR32 | 32' 6" | Folding | 8,750 | 16' | 13' 6" | \$39,926.00 |
| BJDR33 | 33' 6" | Folding | 8,904 | 16' | 14' | \$40,289.00 |
| BJDR34 | 34' 6" | Folding | 9,058 | 16' | 14' 6" | \$42,273.00 |



5808 Hwy #9, Harriston, Ontario, N0G 1Z0
Phone: 519-338-2923, Fax: 519-338-2756
Email: sales@harcoag.ca
www.harcoag.ca



MUNICIPAL PARK ROLLER

| Model | Description | Weight (lbs.) | Price |
|-------|---------------|---------------|------------|
| BJDR7 | 7 Foot Roller | 1,637 | \$5,636.00 |
| BJDR8 | 8 Foot Roller | 1,780 | 6,048.00 |

Trans kits include complete hydraulic system, DOT safety chain, SMV sign, mount bracket, 9.5L-15 tires with wheels.

| OPTIONS | | |
|---------|-----------------------------|---------------|
| Model | Description | Price |
| BJ333 | Single Wheel Transport Kit | \$4,385.00 |
| BJ333-D | Dual Wheel Transport Kit | \$4,992.00 |
| BJLK | LED Light Kit | \$660.00 |
| BJSH | Swivel Hitch | \$241.00 |
| TC0336 | 9.5L – 15, Highway Service | \$220.00 each |
| TC0338 | 31 x 10.5 R15LT, Truck Tire | \$200.00 each |

Dealer: Allow 1.5 hours for final assembly
Colour Options: **Red**, **Green**, **Blue** & **Orange**





740 SERIES POST DRIVER



| | | |
|---|--|-----------------------------------|
| <u>Big Jim 740-3PH, 3 Point Hitch / Skid Steer Mount Post Driver</u> | <u>Approx. Weight</u> 1,697 lbs. | <u>List</u> \$13,659.00 |
|---|--|-----------------------------------|

Standard Equipment & Features

- 4-Way Mast Tilt
- 740 lb. Hammer Assembly
- 2 Position Bolt on Hammer
- Maximum Post Diameter 10 Inches
- Hydraulic Post Hugger
- 4 Handle Control Valve (4 independent)
- Minimum 10 gpm Required

****Add one attachment option from below to complete the machine****

| | | | |
|--------|---|----------|------------|
| BJ3PH | 3-Point Hitch Attachment Kit | 30 lbs. | \$319.00 |
| BJQT | Universal Skid Steer Attachment Kit | 150 lbs. | \$1,000.00 |
| BJSSQT | Side Shift (8") Universal Skid Steer Attachment Kit | 420 lbs. | \$3,375.00 |



| | | |
|---|---|--|
| <u>Big Jim 740-T, Gas Powered Trailer Type Post Driver</u> | <u>Approx. Weight</u> 3,748 lbs. | <u>List</u> \$24,121.00 |
|---|---|--|

Standard Equipment & Features

- | | |
|--|--|
| <ul style="list-style-type: none"> ▪ 16" Tongue Travel ▪ 16" In/Out Mast Travel ▪ 4-Way Mast Tilt ▪ 740 lb. Hammer Assembly ▪ 2 Position Bolt On Hammer ▪ Hydraulic Post Hugger ▪ 4-Handle Control Valve (2 Joystick – 2 Independent) | <ul style="list-style-type: none"> ▪ 978 lb. Counter Weight ▪ 15 Gallon Oil Reservoir ▪ Post Carrier Rack ▪ 9.5L-15 Highway Rated Tires ▪ 13 HP Honda GX Engine |
|--|--|

| | | |
|---|---|--|
| <u>Big Jim 740-T Plus, Gas Powered Trailer Type Post Driver</u> <i>Adjusts 'on the go' for 8 or 10 foot posts. Using the 10' mode will start and drive 8 foot posts 50% faster!</i> | <u>Approx. Weight</u> 4,440 lbs. | <u>List</u> \$27,744.00 |
|---|---|--|

Standard Equipment & Features

- | | |
|---|---|
| <ul style="list-style-type: none"> ▪ 24" Tongue Travel ▪ 16" In/Out Mast Travel ▪ 4-Way Mast Tilt ▪ 24" Hydraulic Life Mast ▪ 740 lb. Hammer Assembly ▪ 2 Position Bolt On Hammer ▪ Hydraulic Post Hugger ▪ 6-Handle Control Valve (2 Joystick – 4 Independent) | <ul style="list-style-type: none"> ▪ 1,306 lb. Counter Weight ▪ 15 Gallon Oil Reservoir ▪ Post Carrier Rack ▪ Storage/Toolbox ▪ 9.5L-15 Highway Rated Tires ▪ 13 HP Honda GX Engine ▪ Hydraulic Stabilizer Arm |
|---|---|

Options

| | | | |
|--------|--|---------|----------|
| BJSRPH | Square / Round Combination Post Hugger (in lieu of round) | 35 lbs. | \$263.00 |
|--------|--|---------|----------|



FORESTRY WINCHES



Twenty years in the forestry winch business has given Harco a tremendous insight into the needs of customers in Eastern Canada and U.S.A. We have designed our Big Jim series winch with that in mind and came up with a winch that is stronger in several areas & is more ergonomically appealing to the customer. Our brochure lists many significant improvements in winch design and we are sure you will find much lower cost of service and repair as the Big Jim Winch uses North American bearings, drive chains & sprockets.

FW8800

Winch complete with 166 feet of cable and hook, PTO shaft, D handle pull control and free swinging upper pulley assembly, protective screen.

| Weight (lbs.) | List |
|---------------|------------|
| 764 | \$6,098.00 |

Options

| | Weight (lbs.) | List |
|----------|--------------------------------|----------|
| BJCC10 | Choker Chains – 10' | \$114.00 |
| BJCC7 | Choker Chains – 7' | \$90.00 |
| BJCC7A | Choker Cable – 7' x 7/16" | \$55.00 |
| BJCCSA | Choker Cable – 5' x 7/16" | \$49.00 |
| BJCCV | Sliding Hook | \$34.00 |
| BJCA7166 | 7/16" x 166' Replacement Cable | \$418.00 |



LIQUID FERTILIZER APPLICATOR



Features:

- ▶ Tubular Steel Frame Construction
- ▶ Convertible Hitch Clevis
- ▶ Transverse Mounted Tank
- ▶ LED Implement Lights
- ▶ Tire-to-Tire Pump Drive
- ▶ 2" Bottom Fill Plumbing
- ▶ Rockshaft Lift System
- ▶ Safety Chain
- ▶ 12.4 x 24 Tires
- ▶ Blu-Jet® Coulters
- ▶ John Blue Piston Pump
- ▶ 300 or 500 Gallon Tank Capacity
- ▶ Knife or Stream Injection
- ▶ Fixed 60" or 90" Axles
- ▶ Adjustable Axle of 60"-90"



Continued...



****Select One Item from Each Section****

| Section 1 | | |
|------------------|--------------------|--------------|
| Model | Description | Price |
| BJLA00100 | Base Unit | \$7,783.00 |

| Section 2 | | |
|------------------|--------------------|--------------|
| Model | Description | Price |
| BJLA00105 | 300 Gallon Tank | \$3,272.00 |
| BJLA00106 | 500 Gallon Tank | \$4,015.00 |

| Section 3 | | |
|------------------|-------------------------|--------------|
| Model | Description | Price |
| BJLA00102 | 60" Fixed Axle | \$5,923.00 |
| BJLA00104 | 80" Fixed Axle | \$6,007.00 |
| BJLA00111 | 90" Fixed Axle | \$6,099.00 |
| BJLA00103 | 60"-90" Adjustable Axle | \$7,549.00 |

| Section 4 | | |
|------------------|-----------------------|--------------|
| Model | Description | Price |
| BJLA00107 | 5R30 Fixed Tool Bar | \$5,623.00 |
| BJLA00110 | 7R30 Fixed Tool Bar | \$7,211.00 |
| BJLA00108 | 5R30 Folding Tool Bar | \$9,548.00 |
| BJLA00109 | 7R30 Folding Tool Bar | \$11,131.00 |

****For Different Row Spacing Configurations contact Harco Ag****

| Section 5 | | |
|------------------|--------------------------|--------------|
| Model | Description | Price |
| LA0134 | Coulter/Stream Injection | \$263.00 |
| LA0133 | Coulter/Knife Injection | \$333.00 |

Price
Per Row

| Section 6 | | |
|------------------|-------------------------------------|--------------|
| Model | Description | Price |
| BJLA00101 | Single Piston Pump, Drive, Plumbing | \$7,931.00 |
| BJLA00112 | Double Piston Pump, Drive, Plumbing | \$9,341.00 |



PULL TYPE CULTIVATOR

Features:

- ▶ 2 1/2" x 1/4" Wall Tubular Frame
- ▶ Adjustable Clevis Style Hitch
- ▶ DOT Approved Safety Chain
- ▶ Complete Hydraulic Package
- ▶ Heavy Duty 45 x 12 x 660 mm 'S' tines
- ▶ 7.60 – 15 Implement Tires with Tubes
- ▶ Tongue Jack



| Model | Description | Approx. Weight (lbs.) | Set Up (Net) | Price |
|----------|---|-----------------------|--------------|------------|
| BJSTC7-4 | <ul style="list-style-type: none"> - 7' Base Unit - 4" Tine Centres - 21 Tines - 2 3/4" Sweeps | 1,055 | \$450.00 | \$7,670.00 |
| BJSTC7-6 | <ul style="list-style-type: none"> - 7' Base Unit - 6" Tine Centres - 15 Tines - 2 3/4" Sweeps | 973 | \$425.00 | \$7,052.00 |
| BJEXT2-4 | <ul style="list-style-type: none"> - 2' Extension Kit for 9' Coverage - 4" Tine Centres - 6 Tines - 2 3/4" Sweeps | 140 | \$50.00 | \$957.00 |
| BJEXT2-6 | <ul style="list-style-type: none"> - 2' Extension Kit for 9' Coverage - 6" Tine Centres - 4 Tines - 2 3/4" Sweeps | 95 | \$45.00 | \$768.00 |
| BJEXT4-4 | <ul style="list-style-type: none"> - 4' Extension Kit for 11' Coverage - 4" Tine Centres - 12 Tines - 2 3/4" Sweeps | 336 | \$70.00 | \$1,871.00 |
| BJEXT4-6 | <ul style="list-style-type: none"> - 4' Extension Kit for 11' Coverage - 6" Tine Centres - 8 Tines - 2 3/4" Sweeps | 275 | \$60.00 | \$1,601.00 |

5808 Hwy #9, Harriston, Ontario, N0G 1Z0
Phone: 519-338-2923, Fax: 519-338-2756
Email: sales@harcoag.ca
www.harcoag.ca



MULTI-PURPOSE GRAPPLE

The Big Jim Multi-Purpose Grapple is available with Frey, Alo, Skid Steer quick attach brackets and universal pin brackets (1" diameter pin). The grapple consists of 1" thick x 5" deep outside teeth and 3/4" x 5" deep inner teeth. Teeth are tied together with 1 3/4" and 1" diameter round bars and reinforced with 4" x 2" x 1/4" wall tubing on back side of grapple. Teeth are spaced on 12" centres to allow dirt to pass through, but still pick up branches, roots and many other objects. Several different upper claw options are available to suit the customer's specific requirements.

Basic unit includes 3000 PSI Canadian made hydraulic cylinders and hoses to reach centre of grapple. For complete specifications and dimensions please refer to literature.

Uses:

- ▶ Brush raking or piling
- ▶ Log lifting, piling or loading
- ▶ Orchard pruning, etc.
- ▶ Round and square bale grabbing
- ▶ Moving loose hay and straw
- ▶ Moving scrap metal and tires
- ▶ Bind and dirt free trimming and blocking of tree tops

*Recommended horsepower – 40HP to 120HP

Section 1 – Choose a Grapple

| Model | Description | Approx. Weight (lbs.) | Price |
|---------|--------------|-----------------------|------------|
| BJMPG05 | 5 Foot Basic | 527 | \$3,018.00 |
| BJMPG06 | 6 Foot Basic | 611 | \$3,216.00 |
| BJMPG07 | 7 Foot Basic | 695 | \$3,413.00 |

Units include cylinder & hoses to centre of grapple

Section 2 – Choose a Claw Option

| Model | Description | Approx. Weight (lbs.) | Price |
|-------------|--|-----------------------|---------------|
| BJMPGSC | Single Claw (2 Required) | 35 each | \$293.00 each |
| BJMPGDC | Double Claw (2 Required) | 78 each | \$424.00 each |
| BJMPG3CS-05 | 3 Claw Solid Assembly – for 5' Base Unit | 237 | \$1,145.00 |
| BJMPG3CS-06 | 3 Claw Solid Assembly – for 6' Base Unit | 247 | \$1,191.00 |
| BJMPG4CS-07 | 3 Claw Solid Assembly – for 7' Base Unit | 597 | \$1,426.00 |

Section 3 – Choose a Mounting Option

| Model | Description | Price |
|------------|--|----------|
| BJMPG-FREY | Bolt on quick attach brackets for Frey Loaders | \$342.00 |
| BJMPG-ALO | Bolt on quick attach brackets for ALO Loaders | \$342.00 |
| BJMPG-SS | Bolt on quick attach brackets for Skid Steer Loaders | \$342.00 |
| BJMPG-BB | Bolt on pin brackets – 1" diameter pins | \$229.00 |

Larger, Higher Horsepower and Custom Made Models Available On Request!



FORGED BALE SPEAR



| Model | Description | Weight (lbs.) | Price |
|----------|---|---------------|------------|
| BJSF1565 | Big Jim Forged Bale Spear – 49” Tine Bucket Mount | 87 lbs. | \$ 599.00 |
| BJSF1566 | Big Jim Forged Bale Spear – 39” Tine Bucket Mount | | \$ 536.00 |
| BJSF1525 | Big Jim 3 Point Forged Bale Spear – 49” Tine | | \$ 658.00 |
| BJSF1626 | Big Jim 3 Point Forged Bale Spear – 39” Tine | | \$ 536.00 |
| ALO 235 | Alo Loader Quick Attach Spear – Single | | \$ 893.00 |
| ALO 255 | Alo Loader Quick Attach Spear – Double | | \$1,145.00 |
| Frey 205 | Frey Loader Quick Attach Spear – Single | | \$ 536.00 |
| Frey 225 | Frey Loader Quick Attach Spear – Double | | \$1,061.00 |

**BLU-JET
TAB**



File Section: Section 2
Effective Date: 2023

5808 Hwy #9, Harriston, Ontario, N0G 1Z0
Phone: 519-338-2923, Fax: 519-338-2756
Email: sales@harcoag.ca
www.harcoag.ca



Please call our office for up to date pricing on all



Products

Thank You

IDEAL
&
MAPLESIDE
TAB



Jan 2026 - All items not in Harco inventory will be subject to a potential tariff charge.

Rotary Cutters

| Model | Description | Colour | Price – CDN |
|-----------|---|--------|-------------|
| RC4LDIDSC | Rotary Cutter 4' Light Duty w/ Slip Clutch PTO | Gray | \$ 2,865.00 |
| RC4LDIDSP | Rotary Cutter 4' Light Duty w/ Shear Pin PTO | Gray | \$ 2,612.00 |
| RC5SDIDSC | Rotary Cutter 5' Standard Duty w/ Slip Clutch PTO | Gray | \$ 3,161.00 |
| RC5SDIDSP | Rotary Cutter 5' Standard Duty w/ Shear Pin PTO | Gray | \$ 2,907.00 |
| RC6MDID | Rotary Cutter 6' Medium Duty | Gray | \$ 4,478.00 |
| RC6SDIDSC | Rotary Cutter 6' Standard Duty w/ Slip Clutch PTO | Gray | \$ 3,580.00 |
| RC6SDIDSP | Rotary Cutter 6' Standard Duty w/ Shear Pin PTO | Gray | \$ 3,339.00 |
| RC7MDID | Rotary Cutter 7' Medium Duty | Gray | \$ 6,292.00 |

Rotary Cutter Guards

| Model | Description | Colour | Price – CDN |
|---------|-----------------------------------|--------|-------------|
| 9000148 | 4' Front Rubber Guard w/ Hardware | Black | \$ 88.00 |
| 9000149 | 5' Front Rubber Guard w/ Hardware | Black | \$ 101.00 |
| 9000150 | 6' Front Rubber Guard w/ Hardware | Black | \$ 124.00 |
| 9000151 | 4' Rear Metal Guard w/ Hardware | Black | \$ 51.00 |
| 9000152 | 5' Rear Metal Guard w/ Hardware | Black | \$ 64.00 |
| 9000153 | 6' Rear Metal Guard w/ Hardware | Black | \$ 69.00 |
| 9000589 | 4' Front Chain Guard w/ Hardware | Black | \$ 179.00 |
| 9000590 | 4' Rear Chain Guard w/ Hardware | Black | \$ 155.00 |
| 9000591 | 5' Front Chain Guard w/ Hardware | Black | \$ 214.00 |
| 9000592 | 5' Rear Chain Guard w/ Hardware | Black | \$ 181.00 |
| 9000593 | 6' Front Chain Guard w/ Hardware | Black | \$ 255.00 |
| 9000594 | 6' Rear Chain Guard w/ Hardware | Black | \$ 195.00 |

Box Blades

| Model | Description | Colour | Price – CDN |
|---------|----------------------------|--------|-------------|
| BB4LDID | Box Blade 4' Light Duty | Gray | \$ 1,408.00 |
| BB5SDID | Box Blade 5' Standard Duty | Gray | \$ 1,727.00 |
| BB6MDID | Box Blade 6' Medium Duty | Gray | \$ 2,189.00 |
| BB6SDID | Box Blade 6' Standard Duty | Gray | \$ 1,842.00 |
| BB7MDID | Box Blade 7' Medium Duty | Gray | \$ 2,390.00 |
| BB8MDID | Box Blade 8' Medium Duty | Gray | \$ 2,668.00 |

PRICED IN CANADIAN DOLLARS

PRICES ARE FOB HARRISTON, ONT – SUBJECT TO CHANGE WITHOUT NOTICE



Jan 2026 - All items not in Harco inventory will be subject to a potential tariff charge.

Disc Harrows

| Model | Description | Colour | Price – CDN |
|---------|------------------------------|--------|-------------|
| DH5LDID | Disc Harrow 5' Light Duty | Gray | \$ 2,532.00 |
| DH6SDID | Disc Harrow 6' Standard Duty | Gray | \$ 2,642.00 |
| DH7MDID | Disc Harrow 7' Medium Duty | Gray | \$ 3,963.00 |

Disc Mowers

| Model | Description | Colour | Price – CDN |
|---------|---------------------------|--------|-------------|
| DM7MDID | Disc Mower 7' Medium Duty | Gray | \$15,004.00 |
| DM8MDID | Disc Mower 8' Medium Duty | Gray | \$15,972.00 |
| DM9MDID | Disc Mower 9' Medium Duty | Gray | \$16,698.00 |

Finishing Mowers

| Model | Description | Colour | Price – CDN |
|---------|-------------------------------|--------|-------------|
| FM5SDID | Finish Mower 5' Standard Duty | Yellow | \$ 4,216.00 |
| FM6SDID | Finish Mower 6' Standard Duty | Yellow | \$ 4,794.00 |

3-Point Fertilizer Spreaders

| Model | Description | Colour | Price – CDN |
|-------|--------------------------|-----------|-------------|
| FSID | Fertilizer Spreader | Red | \$ 1,139.00 |
| PFSID | Poly Fertilizer Spreader | Black/Red | \$ 1,344.00 |

Grader Blades

| Model | Description | Colour | Price – CDN |
|---------|------------------------------------|--------|-------------|
| GB4LDID | Rear Grader Blade 4' Light Duty | Gray | \$ 784.00 |
| GB5SDID | Rear Grader Blade 5' Standard Duty | Gray | \$ 904.00 |
| GB6MDID | Rear Grader Blade 6' Medium Duty | Gray | \$ 1,531.00 |
| GB6SDID | Rear Grader Blade 6' Standard Duty | Gray | \$ 975.00 |
| GB7MDID | Rear Grader Blade 7' Medium Duty | Gray | \$ 1,615.00 |
| GB8MDID | Rear Grader Blade 8' Medium Duty | Gray | \$ 2,006.00 |
| LG6SDID | Land Grader 6' Standard Duty | Gray | \$ 2,633.00 |
| LG8MDID | Land Grader 8' Medium Duty | Gray | \$ 3,506.00 |

PRICED IN CANADIAN DOLLARS

PRICES ARE FOB HARRISTON, ONT – SUBJECT TO CHANGE WITHOUT NOTICE



Jan 2026 - All items not in Harco inventory will be subject to a potential tariff charge.

Landscape Rakes

| Model | Description | Colour | Price – CDN |
|---------|---------------------------------|--------|-------------|
| LR4LDID | Landscape Rake 4' Light Duty | Gray | \$ 1,124.00 |
| LR5SDID | Landscape Rake 5' Standard Duty | Gray | \$ 1,180.00 |
| LR6MDID | Landscape Rake 6' Medium Duty | Gray | \$ 1,724.00 |
| LR6SDID | Landscape Rake 6' Standard Duty | Gray | \$ 1,222.00 |
| LR7MDID | Landscape Rake 7' Medium Duty | Gray | \$ 1,921.00 |
| LR7SDID | Landscape Rake 7' Standard Duty | Gray | \$ 1,323.00 |
| LR8MDID | Landscape Rake 8' Medium Duty | Gray | \$ 2,348.00 |
| LRWKID | Landscape Rake Wheel Kit | Black | \$ 561.00 |

Snow Pushers

| Model | Description | Colour | Price – CDN |
|---------|-------------------------------|--------|-------------|
| SP6BDK | Snow Pusher Back Drag Kit, 6' | Yellow | \$ 753.00 |
| SP6SDID | Snow Pusher 6' Standard Duty | Yellow | \$ 2,427.00 |
| SP7BDK | Snow Pusher Back Drag Kit, 7' | Yellow | \$ 1,170.00 |
| SP7SDID | Snow Pusher 7' Standard Duty | Yellow | \$ 2,820.00 |
| SP8BDK | Snow Pusher Back Drag Kit, 8' | Yellow | \$ 1,265.00 |
| SP8SDID | Snow Pusher 8' Standard Duty | Yellow | \$ 2,907.00 |

ATV/UTV Equipment

| Model | Description | Colour | Price – CDN |
|---------|-------------------------------|--------|-------------|
| UDC5ID | UTV Disc/Cultipacker Combo 5' | Gray | \$ 4,993.00 |
| UDH5ID | UTV Disc Harrow 5' | Gray | \$ 2,874.00 |
| UFD5ID | UTV Flip Disc 5' | Gray | \$ 1,718.00 |
| UFSID | UTV Fertilizer Spreader | Black | \$ 1,967.00 |
| UMS10ID | UTV Manure Spreader 10 Bushel | Yellow | \$ 2,123.00 |
| UWU2ID | UTV Wire Unroller 2" Receiver | Gray | \$ 182.00 |
| UWUID | UTV Wire Unroller | Gray | \$ 241.00 |

Rotary Tillers

| Model | Description | Colour | Price – CDN |
|---------|--------------------------------|--------|-------------|
| RT4LDID | Rotary Tiller 4' Light Duty | Gray | \$ 4,165.00 |
| RT5SDID | Rotary Tiller 5' Standard Duty | Gray | \$ 4,692.00 |
| RT6SDID | Rotary Tiller 6' Standard Duty | Gray | \$ 5,253.00 |
| RT7SDID | Rotary Tiller 7' Standard Duty | Gray | \$ 6,646.00 |

PRICED IN CANADIAN DOLLARS

PRICES ARE FOB HARRISTON, ONT – SUBJECT TO CHANGE WITHOUT NOTICE



Jan 2026 - All items not in Harco inventory will be subject to a potential tariff charge.

Miscellaneous Equipment

| Model | Description | Colour | Price – CDN |
|-----------|--|--------|--------------|
| MBSDID | Middle Buster Standard Duty | Gray | \$ 402.00 |
| MP1SDID | Moldboard Plow One Bottom Standard Duty | Gray | \$ 1,503.00 |
| MP2SDID | Moldboard Plow Two Bottom Standard Duty | Gray | \$ 2,394.00 |
| PFW1242ID | Pallet Fork 1,200 lb 42" | Black | \$ 1,366.00 |
| PFW342ID | Pallet Fork 3,000 lb 42" | Black | \$ 1,658.00 |
| SSLDID | Sub-soiler Light Duty | Gray | \$ 344.00 |
| SSSDID | Sub-soiler Standard Duty | Gray | \$ 441.00 |
| TMSDID | Trailer Mover Standard Duty | Gray | \$ 357.00 |
| WSSDID | Wire Stretcher Standard Duty | Gray | \$ 922.00 |
| BPMID | Boom Pole Medium Duty | Gray | \$ 697.00 |
| BPSDID | Boom Pole Standard Duty | Gray | \$ 293.00 |
| BR52SDID | Bucket Rake 52" Standard Duty | Black | \$ 708.00 |
| BR68SDID | Bucket Rake 68" Standard Duty | Black | \$ 768.00 |
| CASDID | Carry All Standard Duty | Gray | \$ 305.00 |
| FC1SDID | Field Cultivator One-Row Standard Duty | Gray | \$ 684.00 |
| FC3SDID | Field Cultivator Three-Bar Standard Duty | Gray | \$ 1,711.00 |
| HF1MDID | Hay Fork Single Spear Medium Duty | Gray | \$ 659.00 |
| HF1SDID | Hay Fork Single Spear Standard Duty | Gray | \$ 412.00 |
| HFB1ID | Hay Fork Bucket Single Spear | Black | \$ 555.00 |
| HFF1ID | Hay Fork Front Single Spear | Black | \$ 1,082.00 |
| TGQA254ID | Tine Grapple – Dual Cylinder | Black | \$ 3,449.00 |
| NT5SDID | No Till Seed Drill, 9 row, 5' | Black | \$ 13,915.00 |
| NT7SDID | No Till Seed Drill, 11 row, 7' | Black | \$ 16,262.00 |
| DT015BL | Hydraulic Dump Trailer, 100" x 55" x 34" | Black | \$ 5,445.00 |
| DT15ID | Utility Dump Trailer | NEW | \$4,792.00 |
| BSQA-2BL | Double (Dual) Bale Spear | Black | \$ 1,224.00 |
| QH1ID | Quick Hitch | | \$ 363.00 |
| | | | |
| | | | |
| | | | |

PRICED IN CANADIAN DOLLARS

PRICES ARE FOB HARRISTON, ONT – SUBJECT TO CHANGE WITHOUT NOTICE



Jan 2026 - All items not in Harco inventory will be subject to a potential tariff charge.

Post Pounders

| Model | Description | Colour | Price – CDN |
|---------|----------------------------------|--------|--------------|
| ID100 | Vibrating Head Driver | Gray | \$ 11,560.00 |
| ID110 | Vibrating Head Driver | Gray | \$ 13,276.00 |
| TAVID | Ideal Tilt Attachment w/ Valve | | \$ 5,445.00 |
| ID205 | Trailer Model w/ Electric Start | Black | \$ 28,650.00 |
| ID210 | Trailer Model w/ Hitch | Black | \$ 27,322.00 |
| ID120K | Pilot Auger Kit | | \$ 7,449.00 |
| 2000282 | Auger/Bit 4.5" (Sold Separately) | | \$ 1,139.00 |
| 2000281 | Auger/Bit 6" (Sold Separately) | | \$ 1,568.00 |
| | Pilot Auger Factory Install | | \$ 1,210.00 |

PRICED IN CANADIAN DOLLARS

PRICES ARE FOB HARRISTON, ONT – SUBJECT TO CHANGE WITHOUT NOTICE



Mapleside MFG INC

2026 Price List



HARCOAg
EQUIPMENT

5808 Hwy #9, Harriston, Ontario, N0G 1Z0, 519-338-2923, Fax: 519-338-2756
sales@harcoag.ca www.harcoag.ca

Rep'd in Eastern & Northern Ontario, Quebec & the Maritimes

Table of Contents

| | |
|---|-------|
| Pallet Forks..... | 1 |
| Bale Spears..... | 2&3 |
| Bale Squeezers..... | 3 |
| Bale Unrollers..... | 3 |
| Back Grill Buckets..... | 4&5 |
| Standard Profile Buckets..... | 6 |
| High Volume Buckets..... | 7 |
| Low Profile Buckets..... | 8&9 |
| High Dump Buckets..... | 10 |
| 3 Point Hitch Dump Boxes..... | 11 |
| 3 Point Hitch Weight Boxes..... | 11 |
| 3 Point Hitch Box Blades..... | 12 |
| 3 Point Hitch Grader Blades..... | 12 |
| Land Planes..... | 13 |
| Land Levelers..... | 14 |
| Heavy Duty Brush Grapple..... | 15 |
| Log Grapple Forks..... | 15 |
| Hydraulic Tree Puller Stump Bucket..... | 16 |
| Manure Forks..... | 17 |
| Rock Buckets..... | 18 |
| Snow Pushers..... | 19 |
| Compact Snow Pushers..... | 20 |
| Hydraulic Snow Blades..... | 21 |
| Rotary Cutters..... | 22 |
| Lawn Rollers..... | 23 |
| Boom Poles..... | 23 |
| MT Attachments..... | 24 |
| Pins, Adapters, & Accessories..... | 25&26 |



Prices are FOB Creemore, Ont - Subject to change without notice

Pallet Forks

1200 Pound Cap. Pallet Forks

| <i>Product ID</i> | <i>Description</i> | <i>Gross Weight</i> | <i>List Price</i> |
|-------------------|---|---------------------|-------------------|
| 12JDQAPF | 1200lb PALLET FORK JD440/540 Q-TACH FRAME ONLY | 200 lbs | \$410.00 |
| 12JDQAPF-42 | 1200lb PALLET FORK JD440/540 Q-TACH w/42" TINES | 295 lbs | \$660.00 |
| 12JDQAPF-48 | 1200lb PALLET FORK JD440/540 Q-TACH w/48" TINES | 305 lbs | \$680.00 |
| 12SQAPF | 1200lb PALLET FORK SS Q-TACH FRAME ONLY | 200 lbs | \$410.00 |
| 12SQAPF-42 | 1200lb PALLET FORK SS Q-TACH w/42" TINES | 295 lbs | \$660.00 |
| 12SQAPF-48 | 1200lb PALLET FORK SS Q-TACH w/48" TINES | 305 lbs | \$680.00 |

2000 Pound Cap. Pallet Forks

| | | | |
|-------------|---|---------|----------|
| 20JDQAPF | 2000lb PALLET FORK JD440/540 Q-TACH FRAME ONLY | 230 lbs | \$475.00 |
| 20JDQAPF-42 | 2000lb PALLET FORK JD440/540 Q-TACH w/42" TINES | 325 lbs | \$715.00 |
| 20JDQAPF-48 | 2000lb PALLET FORK JD440/540 Q-TACH w/48" TINES | 335 lbs | \$725.00 |
| 20SQAPF | 2000lb PALLET FORK SS Q-TACH FRAME ONLY | 230 lbs | \$475.00 |
| 20SQAPF-42 | 2000lb PALLET FORK SS Q-TACH w/42" TINES | 325 lbs | \$715.00 |
| 20SQAPF-48 | 2000lb PALLET FORK SS Q-TACH w/48" TINES | 335 lbs | \$725.00 |
| 20EQAPF | 2000lb PALLET FORK EURO Q-TACH FRAME ONLY | 230 lbs | \$475.00 |
| 20EQAPF-42 | 2000lb PALLET FORK EURO Q-TACH w/42" TINES | 325 lbs | \$715.00 |
| 20EQAPF-48 | 2000lb PALLET FORK EURO Q-TACH w/48" TINES | 335 lbs | \$725.00 |

5500 Pound Cap. Pallet Forks

| | | | |
|-------------|--|---------|------------|
| 55JDQAPF | 5500lb PALLET FORK JD 640 Q-TACH FRAME ONLY | 306 lbs | \$785.00 |
| 55JDQAPF-42 | 5500lb PALLET FORK JD640 Q-TACH w/42" TINES | 400 lbs | \$1,060.00 |
| 55JDQAPF-48 | 5500lb PALLET FORK JD640 Q-TACH w/48" TINES | 410 lbs | \$1,090.00 |
| 55JDQAPF-54 | 5500lb PALLET FORK JD640 Q-TACH w/ 54" TINES | 420 lbs | \$1,220.00 |
| 55SQAPF | 5500lb PALLET FORK SS Q-TACH FRAME ONLY | 296 lbs | \$785.00 |
| 55SQAPF-42 | 5500lb PALLET FORK SS Q-TACH w/42" TINES | 390 lbs | \$1,060.00 |
| 55SQAPF-48 | 5500lb PALLET FORK SS Q-TACH w/48" TINES | 400 lbs | \$1,090.00 |
| 55SQAPF-54 | 5500lb PALLET FORK SS Q-TACH w/ 54" TINES | 410 lbs | \$1,220.00 |
| 55EQAPF | 5500lb PALLET FORK EURO Q-TACH FRAME ONLY | 296 lbs | \$785.00 |
| 55EQAPF-42 | 5500lb PALLET FORK EURO Q-TACH w/42" TINES | 390 lbs | \$1,060.00 |
| 55EQAPF-48 | 5500lb PALLET FORK EURO Q-TACH w/48" TINES | 400 lbs | \$1,090.00 |
| 55EQAPF-54 | 5500lb PALLET FORK EURO Q-TACH w/ 54" TINES | 410 lbs | \$1,220.00 |



5500 LBS



2000 LBS



1200 LBS



ALL PALLET FORKS COME WITH CLASS 2 TINES > 4" WIDE, 1.5" THICK

ALL PALLET FORK FRAMES HAVE 50" WIDE CARRIAGE

HARCOAg
EQUIPMENT

Bale Spears

Single Prong Bale Spears

| <i>Product ID</i> | <i>Description</i> | <i>Gross Weight</i> | <i>List Price</i> |
|-------------------|--|---------------------|-------------------|
| SQASPBS | SINGLE PRONG BALE SPEAR SS Q-TACH FRAME ONLY | | \$520.00 |
| SQASPBS-39 | SINGLE PRONG BALE SPEAR SS Q-TACH W/39" TINE | | \$670.00 |
| SQASPBS-49 | SINGLE PRONG BALE SPEAR SS Q-TACH W/49" TINE | | \$705.00 |
| JDQASPBS | SINGLE PRONG BALE SPEAR JD Q-TACH FRAME ONLY | | \$520.00 |
| JDQASPBS-39 | SINGLE PRONG BALE SPEAR JD Q-TACH W/39" TINE | | \$670.00 |
| JDQASPBS-49 | SINGLE PRONG BALE SPEAR JD Q-TACH W/49" TINE | | \$705.00 |
| EQASPBS | SINGLE PRONG BALE SPEAR EURO Q-TACH FRAME ONLY | | \$520.00 |
| EQASPBS-39 | SINGLE PRONG BALE SPEAR EURO Q-TACH 39" TINE | | \$670.00 |
| EQASPBS-49 | SINGLE PRONG BALE SPEAR EURO Q-TACH 49" TINE | | \$705.00 |

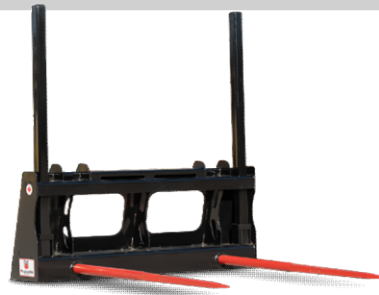
Double Prong Bale Spears

| <i>Product ID</i> | <i>Description</i> | <i>Gross Weight</i> | <i>List Price</i> |
|-------------------|--|---------------------|-------------------|
| SQABSHD | H.D BALE SPEAR SS Q-TACH FRAME ONLY | 193 lbs | \$525.00 |
| SQABSHD-39 | H.D BALE SPEAR SS Q-TACH w/39" TINE | | \$805.00 |
| SQABSHD-49 | H.D BALE SPEAR SS Q-TACH w/49" TINE | 230 lbs | \$815.00 |
| JDQABS | BALE SPEAR JD440/540 Q-TACH FRAME ONLY | | \$550.00 |
| JDQABS-39 | BALE SPEAR JD440/540 Q-TACH 39" TINE | | \$805.00 |
| JDQABS-49 | BALE SPEAR JD440/540 Q-TACH 49" TINE | | \$815.00 |
| EQABS | H.D BALE SPEAR EURO Q-TACH FRAME ONLY | 198 lbs | \$780.00 |
| EQABS-39 | H.D BALE SPEAR EURO Q-TACH 39" TINE | | \$910.00 |
| EQABS-49 | H.D BALE SPEAR EURO Q-TACH 49" TINE | 235 lbs | \$925.00 |

| | | | |
|-----|--|--|----------|
| DPT | 2 PRONG SLIDE IN BALE SPEAR TUBE/3x3/SET | | \$140.00 |
|-----|--|--|----------|



Single Prong Bale Spear



Double Prong Bale Spear

BALE SPEARS DO NOT COME WITH VERTICAL UPRIGHT POSTES



Bale Spears

Triple Prong Bale Spears

| <u>Product ID</u> | <u>Description</u> | <u>Gross Weight</u> | <u>List Price</u> |
|-------------------|---|---------------------|-------------------|
| SQABSTP | 3 PRONG BALE SPEAR SS Q-TACH FRAME ONLY | 243 lbs | \$770.00 |
| SQABSTP-39 | 3 PRONG BALE SPEAR SS Q-TACH 39" TINES | | \$1,190.00 |
| SQABSTP-49 | 3 PRONG BALE SPEAR SS Q-TACH 49" TINES | 283 lbs | \$1,290.00 |
| EQABSTP | 3 PRONG BALE SPEAR EURO Q-TACH FRAME ONLY | 248 lbs | \$770.00 |
| EQABSTP-39 | 3 PRONG BALE SPEAR EURO Q-TACH 39" TINES | | \$1,190.00 |
| EQABSTP-49 | 3 PRONG BALE SPEAR EURO Q-TACH 49" TINES | 288 lbs | \$1,290.00 |
| 3PBSBR | BACK RACK FOR 3 PRONG BALE SPEARS | | \$710.00 |

Bale Squeezers

| <u>Product ID</u> | <u>Description</u> | <u>Gross Weight</u> | <u>List Price</u> |
|-------------------|---------------------------------|---------------------|-------------------|
| BSSQA | BALE SQUEEZER SKID STEER Q-TACH | 580 lbs | \$2,290.00 |
| BSEQA | BALE SQUEEZER EURO Q-TACH | 580 lbs | \$2,290.00 |

3 Point Hitch Round Bale Unroller

| <u>Product ID</u> | <u>Description</u> | <u>Gross Weight</u> | <u>List Price</u> |
|-------------------|------------------------------------|---------------------|-------------------|
| RBU3PH | 3 POINT HITCH ROUND BALE UN-ROLLER | 335 lbs | \$2,565.00 |



3 Prong Bale Spear



3 Prong Bale Spear Back Rack



Bale Squeezer



Round Bale Unroller



Buckets

Skid Steer Hookup Back Grill Buckets

| <i>Product ID</i> | <i>Description</i> | <i>Gross Weight</i> | <i>List Price</i> |
|-------------------|---|---------------------|-------------------|
| BGB72SQA | BACK GRILL 72" SS Q-TACH BUCKET | 585 lbs | \$1,830.00 |
| BGB72SQA-BOCE | BACK GRILL 72" SS Q-TACH BUCKET W/ BOLT ON CUTTING EDGE | 670 lbs | \$2,020.00 |
| BGB72SQA-TEETH | BACK GRILL 72" SS Q-TACH BUCKET W/ TEETH | 647 lbs | \$2,005.00 |
| BGB78SQA | BACK GRILL 78" SS Q-TACH BUCKET | 615 lbs | \$1,920.00 |
| BGB78SQA-BOCE | BACK GRILL 78" SS Q-TACH BUCKET W/ BOLT ON CUTTING EDGE | 707 lbs | \$2,130.00 |
| BGB78SQA-TEETH | BACK GRILL 78" SS Q-TACH BUCKET W/ TEETH | 677 lbs | \$2,075.00 |
| BGB81SQA | BACK GRILL 81" SS Q-TACH BUCKET | 625 lbs | \$1,930.00 |
| BGB81SQA-TEETH | BACK GRILL 81" SS Q-TACH BUCKET W/ TEETH | 680 lbs | \$2,120.00 |
| BGB84SQA | BACK GRILL 84" SS Q-TACH BUCKET | 645 lbs | \$1,990.00 |
| BGB84SQA-BOCE | BACK GRILL 84" SS Q-TACH BUCKET W/ BOLT ON CUTTING EDGE | 744 lbs | \$2,215.00 |
| BGB84SQA-TEETH | BACK GRILL 84" SS Q-TACH BUCKET W/ TEETH | 714 lbs | \$2,195.00 |
| BGB90SQA | BACK GRILL 90" SS Q-TACH BUCKET | 675 lbs | \$2,080.00 |
| BGB90SQA-BOCE | BACK GRILL 90" SS Q-TACH BUCKET W/ BOLT ON CUTTING EDGE | 781 lbs | \$2,320.00 |
| BGB90SQA-TEETH | BACK GRILL 90" SS Q-TACH BUCKET W/ TEETH | 750 lbs | \$2,465.00 |
| BGB96SQA | BACK GRILL 96" SS Q-TACH BUCKET | 705 lbs | \$2,220.00 |
| BGB96SQA-BOCE | BACK GRILL 96" SS Q-TACH BUCKET W/ BOLT ON CUTTING EDGE | 818 lbs | \$2,480.00 |
| BGB96SQA-TEETH | BACK GRILL 96" SS Q-TACH BUCKET W/ TEETH | 780 lbs | \$2,555.00 |
| HDBGB78SQA | HD BACK GRILL 78" SS Q-TACH BUCKET | 856 lbs | \$2,420.00 |
| HDBGB78SQA-BOCE | HD B/G 78" SS Q-TACH BUCKET W/ BOLT ON CUTTING EDGE | 948 lbs | \$2,630.00 |
| HDBGB78SQA-TEETH | HD BACK GRILL 78" SS Q-TACH BUCKET W/ TEETH | 918 lbs | \$2,835.00 |
| HDBGB84SQA | HD BACK GRILL 84" SS Q-TACH BUCKET | 940 lbs | \$2,545.00 |
| HDBGB84SQA-BOCE | HD B/G 84" SS Q-TACH BUCKET W/ BOLT ON CUTTING EDGE | 1040 lbs | \$2,770.00 |
| HDBGB84SQA-TEETH | HD BACK GRILL 84" SS Q-TACH BUCKET W/ TEETH | 1010 lbs | \$3,000.00 |



Buckets

Euro/Alo Hookup Back Grill Buckets

| <u>Product ID</u> | <u>Description</u> | <u>Gross Weight</u> | <u>List Price</u> |
|-------------------|--|---------------------|-------------------|
| BGB72EQA | BACK GRILL 72" EURO Q-TACH BUCKET | 590 lbs | \$1,830.00 |
| BGB72EQA-BOCE | B/G 72" EURO Q-TACH BUCKET W/ BOLT ON CUTTING EDGE | 675 lbs | \$2,020.00 |
| BGB72EQA-TEETH | BACK GRILL 72" EURO Q-TACH W/ TEETH | 652 lbs | \$2,005.00 |
| BGB78EQA | BACK GRILL 78" EURO Q-TACH BUCKET | 620 lbs | \$1,920.00 |
| BGB78EQA-BOCE | B/G 78" EURO Q-TACH BUCKET W/ BOLT ON CUTTING EDGE | 712 lbs | \$2,130.00 |
| BGB78EQA-TEETH | BACK GRILL 78" EURO Q-TACH W/ TEETH | 682 lbs | \$2,075.00 |
| BGB84EQA | BACK GRILL 84" EURO Q-TACH BUCKET | 650 lbs | \$1,990.00 |
| BGB84EQA-BOCE | B/G 84" EURO Q-TACH BUCKET W/ BOLT ON CUTTING EDGE | 749 lbs | \$2,215.00 |
| BGB84EQA-TEETH | BACK GRILL 84" EURO Q-TACH W/ TEETH | 719 lbs | \$2,195.00 |
| BGB90EQA | BACK GRILL 90" EURO Q-TACH BUCKET | 680 lbs | \$2,080.00 |
| BGB90EQA-BOCE | B/G 90" EURO Q-TACH BUCKET W/ BOLT ON CUTTING EDGE | 786 lbs | \$2,320.00 |
| BGB90EQA-TEETH | BACK GRILL 90" EURO Q-TACH W/ TEETH | 755 bs | \$2,465.00 |
| BGB96EQA | BACK GRILL 96" EURO Q-TACH BUCKET | 710 lbs | \$2,220.00 |
| BGB96EQA-BOCE | B/G 96" EURO Q-TACH BUCKET W/ BOLT ON CUTTING EDGE | 823 lbs | \$2,480.00 |
| BGB96EQA-TEETH | BACK GRILL 96" EURO Q-TACH BUCKET W/ TEETH | 785 lbs | \$2,555.00 |



REG. DUTY BACK GRILL BUCKETS

>COME WITH 5/8" X 6" WELDED ON CUTTING EDGE

>3/16 MATERIAL THROUGHOUT

>BOTTOM RUNNERS

>ALL BUCKETS ARE COMPATABLE WITH BOLT ON CUTTING EDGE

>40" DEEP BY 34" HIGH FROM BOTTOM TO TOP OF GRILL

HEAVY DUTY BACK GRILL BUCKETS

>COME WITH 3/4" X 6" WELDED ON CUTTING EDGE

>1/4" MATERIAL THROUGHOUT

>AR400 BOTTOM RUNNERS AS WELL AS SIDE CUTTERS

>ALL BUCKETS ARE COMPATABLE WITH BOLT ON CUTTING EDGE

>40" DEEP BY 34" HIGH FROM BOTTOM TO TOP OF GRILL



Buckets

Skid Steer Hookup Standard Profile Buckets

| <u>Product ID</u> | <u>Description</u> | <u>Gross Weight</u> | <u>List Price</u> |
|-------------------|--|---------------------|-------------------|
| SPB72SQA | STANDARD PROFILE 72" SS Q-TACH BUCKET | 645 lbs | \$1,785.00 |
| SPB72SQA-BOCE | S/P 72" SS Q-TACH BUCKET W/ BOLT ON CUTTING EDGE | 730 lbs | \$1,975.00 |
| SPB72SQA-TEETH | STANDARD PROFILE 72" SS Q-TACH BUCKET W/ TEETH | 705 lbs | \$2,085.00 |
| SPB78SQA | STANDARD PROFILE 78" SS Q-TACH BUCKET | 670 lbs | \$1,820.00 |
| SPB78SQA-BOCE | S/P 78" SS Q-TACH BUCKET W/ BOLT ON CUTTING EDGE | 762 lbs | \$2,030.00 |
| SPB78SQA-TEETH | STANDARD PROFILE 78" SS Q-TACH BUCKET W/ TEETH | 730 lbs | \$2,120.00 |
| SPB84SQA | STANDARD PROFILE 84" SS Q-TACH BUCKET | 715 lbs | \$1,885.00 |
| SPB84SQA-BOCE | S/P 84" SS Q-TACH BUCKET W/ BOLT ON CUTTING EDGE | 814 lbs | \$2,110.00 |
| SPB84SQA-TEETH | STANDARD PROFILE 84" SS Q-TACH BUCKET W/ TEETH | 775 lbs | \$2,185.00 |
| SPB90SQA | STANDARD PROFILE 90" SS Q-TACH BUCKET | 750 lbs | \$2,050.00 |
| SPB90SQA-BOCE | S/P 90" SS Q-TACH BUCKET W/ BOLT ON CUTTING EDGE | 856 lbs | \$2,290.00 |
| SPB90SQA-TEETH | STANDARD PROFILE 90" SS Q-TACH BUCKET W/ TEETH | 810 lbs | \$2,350.00 |
| SPB96SQA | STANDARD PROFILE 96" SS Q-TACH BUCKET | 790 lbs | \$2,200.00 |
| SPB96SQA-BOCE | S/P 96" SS Q-TACH BUCKET W/ BOLT ON CUTTING EDGE | 903 lbs | \$2,460.00 |
| SPB96SQA-TEETH | STANDARD PROFILE 96" SS Q-TACH BUCKET W/ TEETH | 850 lbs | \$2,500.00 |

Euro/Alo Hookup Standard Profile Buckets

| <u>Product ID</u> | <u>Description</u> | <u>Gross Weight</u> | <u>List Price</u> |
|-------------------|--|---------------------|-------------------|
| SPB72EQA | STANDARD PROFILE 72" EURO Q-TACH BUCKET | 650 lbs | \$1,785.00 |
| SPB72EQA-BOCE | S/P 72" EURO Q-TACH BUCKET W/ BOLT ON CUTTING EDGE | 735 lbs | \$1,975.00 |
| SPB72EQA-TEETH | STANDARD PROFILE 72" EURO Q-TACH BUCKET W/ TEETH | 710 lbs | \$2,085.00 |
| SPB78EQA | STANDARD PROFILE 78" EURO Q-TACH BUCKET | 675 lbs | \$1,820.00 |
| SPB78EQA-BOCE | S/P 78" EURO Q-TACH BUCKET W/ BOLT ON CUTTING EDGE | 767 lbs | \$2,030.00 |
| SPB78EQA-TEETH | STANDARD PROFILE 78" EURO Q-TACH BUCKET W/ TEETH | 735 lbs | \$2,120.00 |
| SPB84EQA | STANDARD PROFILE 84" EURO Q-TACH BUCKET | 720 lbs | \$1,885.00 |
| SPB84EQA-BOCE | S/P 84" EURO Q-TACH BUCKET W/ BOLT ON CUTTING EDGE | 819 lbs | \$2,110.00 |
| SPB84EQA-TEETH | STANDARD PROFILE 84" EURO Q-TACH BUCKET W/ TEETH | 780 lbs | \$2,185.00 |
| SPB90EQA | STANDARD PROFILE 90" EURO Q-TACH BUCKET | 755 lbs | \$2,050.00 |
| SPB90EQA-BOCE | S/P 90" EURO Q-TACH BUCKET W/ BOLT ON CUTTING EDGE | 861 lbs | \$2,290.00 |
| SPB90EQA-TEETH | STANDARD PROFILE 90" EURO Q-TACH BUCKET W/ TEETH | 815 lbs | \$2,350.00 |
| SPB96EQA | STANDARD PROFILE 96" EURO Q-TACH BUCKET | 795 lbs | \$2,200.00 |
| SPB96EQA-BOCE | S/P 96" EURO Q-TACH BUCKET W/ BOLT ON CUTTING EDGE | 908 lbs | \$2,460.00 |
| SPB96EQA-TEETH | STANDARD PROFILE 96" EURO Q-TACH BUCKET W/ TEETH | 855 lbs | \$2,500.00 |

>3/16 MATERIAL THROUGHOUT

>COME WITH 5/8" X 6" WELDED ON CUTTING EDGE

>BOTTOM RUNNERS

>ALL BUCKETS ARE COMPATIBLE WITH BOLT ON CUTTING EDGE

>39" DEEP BY 30" HIGH



Buckets

Skid Steer Hookup High Volume Buckets

| <u>Product ID</u> | <u>Description</u> | <u>Gross Weight</u> | <u>List Price</u> |
|-------------------|---|---------------------|-------------------|
| HVB72SQA | HIGH VOLUME 72" SS Q-TACH BUCKET | 660 lbs | \$1,835.00 |
| HVB72SQA-BOCE | H/V 72" SS Q-TACH BUCKET W/ BOLT ON CUTTING EDGE | 745 lbs | \$2,025.00 |
| HVB78SQA | HIGH VOLUME 78" SS Q-TACH BUCKET | 690 lbs | \$1,905.00 |
| HVB78SQA-BOCE | H/V 78" SS Q-TACH BUCKET W/ BOLT ON CUTTING EDGE | 782 lbs | \$2,115.00 |
| HVB84SQA | HIGH VOLUME 84" SS Q-TACH BUCKET | 720 lbs | \$1,995.00 |
| HVB84SQA-BOCE | H/V 84" SS Q-TACH BUCKET W/ BOLT ON CUTTING EDGE | 819 lbs | \$2,220.00 |
| HVB90SQA | HIGH VOLUME 90" SS Q-TACH BUCKET | 750 lbs | \$2,140.00 |
| HVB90SQA-BOCE | H/V 90" SS Q-TACH BUCKET W/ BOLT ON CUTTING EDGE | 856 lbs | \$2,380.00 |
| HVB96SQA | HIGH VOLUME 96" SS Q-TACH BUCKET | 780 lbs | \$2,225.00 |
| HVB96SQA-BOCE | H/V 96" SS Q-TACH BUCKET W/ BOLT ON CUTTING EDGE | 893 lbs | \$2,485.00 |
| HVB102SQA | HIGH VOLUME 102" SS Q-TACH BUCKET | 800 lbs | \$2,310.00 |
| HVB102SQA-BOCE | H/V 102" SS Q-TACH BUCKET W/ BOLT ON CUTTING EDGE | 919 lbs | \$2,590.00 |
| HVB108SQA | HIGH VOLUME 108" SS Q-TACH BUCKET | 820 lbs | \$2,380.00 |
| HVB108SQA-BOCE | H/V 108" SS Q-TACH BUCKET W/ BOLT ON CUTTING EDGE | 946 lbs | \$2,680.00 |
| HVB120SQA | HIGH VOLUME 120" SS Q-TACH BUCKET | | \$2,540.00 |
| HVB144SQA | HIGH VOLUME 144" SS Q-TACH BUCKET | 1310 lbs | \$3,240.00 |

Euro/Alo Hookup High Volume Buckets

| <u>Product ID</u> | <u>Description</u> | <u>Gross Weight</u> | <u>List Price</u> |
|-------------------|---|---------------------|-------------------|
| HVB72EQA | HIGH VOLUME 72" EURO Q-TACH BUCKET | 665 lbs | \$1,835.00 |
| HVB72EQA-BOCE | H/V 72" EURO Q-TACH BUCKET W/ BOLT ON CUTTING EDGE | 750 lbs | \$2,025.00 |
| HVB78EQA | HIGH VOLUME 78" EURO Q-TACH BUCKET | 695 lbs | \$1,905.00 |
| HVB78EQA-BOCE | H/V 78" EURO Q-TACH BUCKET W/ BOLT ON CUTTING EDGE | 787 lbs | \$2,115.00 |
| HVB84EQA | HIGH VOLUME 84" EURO Q-TACH BUCKET | 725 lbs | \$1,995.00 |
| HVB84EQA-BOCE | H/V 84" EURO Q-TACH BUCKET W/ BOLT ON CUTTING EDGE | 824 lbs | \$2,220.00 |
| HVB90EQA | HIGH VOLUME 90" EURO Q-TACH BUCKET | 755 lbs | \$2,140.00 |
| HVB90EQA-BOCE | H/V 90" EURO Q-TACH BUCKET W/ BOLT ON CUTTING EDGE | 861 lbs | \$2,380.00 |
| HVB96EQA | HIGH VOLUME 96" EURO Q-TACH BUCKET | 785 lbs | \$2,225.00 |
| HVB96EQA-BOCE | H/V 96" EURO Q-TACH BUCKET W/ BOLT ON CUTTING EDGE | 898 lbs | \$2,485.00 |
| HVB102EQA | HIGH VOLUME 102" EURO Q-TACH BUCKET | 805 lbs | \$2,310.00 |
| HVB102EQA-BOCE | H/V 102" EURO Q-TACH BUCKET W/ BOLT ON CUTTING EDGE | 924 lbs | \$2,590.00 |
| HVB108EQA | HIGH VOLUME 108" EURO Q-TACH BUCKET | 825 lbs | \$2,380.00 |
| HVB108EQA-BOCE | H/V 108" EURO Q-TACH BUCKET W/ BOLT ON CUTTING EDGE | 951 lbs | \$2,680.00 |
| HVB120EQA | HIGH VOLUME 120" EURO Q-TACH BUCKET | | \$2,535.00 |

>3/16 MATERIAL THROUGHOUT

>COME WITH 5/8" X 6" WELDED ON CUTTING EDGE

>BOTTOM RUNNERS

>ALL BUCKETS ARE COMPATIBLE WITH BOLT ON CUTTING EDGE

>48" DEEP BY 35" HIGH



HARCO
EQUIPMENT

Buckets

Skid Steer Hookup Low Profile Buckets

| <i>Product ID</i> | <i>Description</i> | <i>Gross Weight</i> | <i>List Price</i> |
|-------------------|--|---------------------|-------------------|
| 66LPBSQA | LOW PROFILE 66" SKID STEER Q-TACH BUCKET | 385 lbs | \$1,125.00 |
| 66LPBSQA-BOCE | L/P 66" SKID STEER Q-TACH BUCKET W/ BOLT ON CUTTING EDGE | 463 lbs | \$1,305.00 |
| 66LPBSQA-TEETH | LOW PROFILE 66" SKID STEER Q-TACH BUCKET W/ TEETH | 440 lbs | \$1,485.00 |
| 72LPBSQA | LOW PROFILE 72" SKID STEER Q-TACH BUCKET | 415 lbs | \$1,180.00 |
| 72LPBSQA-BOCE | L/P 72" SKID STEER Q-TACH BUCKET W/ BOLT ON CUTTING EDGE | 500 lbs | \$1,370.00 |
| 72LPBSQA-TEETH | LOW PROFILE 72" SKID STEER Q-TACH BUCKET W/ TEETH | 477 lbs | \$1,485.00 |
| 78LPBSQA | LOW PROFILE 78" SKID STEER Q-TACH BUCKET | 445 lbs | \$1,250.00 |
| 78LPBSQA-BOCE | L/P 78" SKID STEER Q-TACH BUCKET W/ BOLT ON CUTTING EDGE | 537 lbs | \$1,460.00 |
| 78LPBSQA-TEETH | LOW PROFILE 78" SKID STEER Q-TACH BUCKET W/ TEETH | 507 lbs | \$1,560.00 |
| 84LPBSQA | LOW PROFILE 84" SKID STEER Q-TACH BUCKET | 475 lbs | \$1,295.00 |
| 84LPBSQA-BOCE | L/P 84" SKID STEER Q-TACH BUCKET W/ BOLT ON CUTTING EDGE | 574 lbs | \$1,520.00 |
| 84LPBSQA-TEETH | LOW PROFILE 84" SKID STEER Q-TACH BUCKET W/ TEETH | 544 lbs | \$1,755.00 |
| 90LPBSQA | LOW PROFILE 90" SKID STEER Q-TACH BUCKET | 505 lbs | \$1,340.00 |
| 90LPBSQA-BOCE | L/P 90" SKID STEER Q-TACH BUCKET W/ BOLT ON CUTTING EDGE | 611 lbs | \$1,580.00 |
| 90LPBSQA-TEETH | LOW PROFILE 90" SKID STEER Q-TACH BUCKET W/ TEETH | 580 lbs | \$1,840.00 |
| 96LPBSQA | LOW PROFILE 96" SKID STEER Q-TACH BUCKET | 535 lbs | \$1,385.00 |
| 96LPBSQA-BOCE | L/P 96" SKID STEER Q-TACH BUCKET W/ BOLT ON CUTTING EDGE | 648 lbs | \$1,645.00 |
| 96LPBSQA-TEETH | LOW PROFILE 96" SKID STEER Q-TACH BUCKET W/ TEETH | 610 lbs | \$1,770.00 |

Euro/Alo Hookup Low Profile Buckets

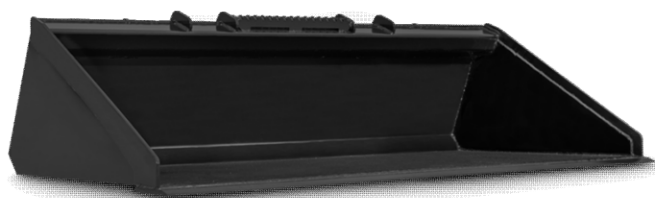
| <i>Product ID</i> | <i>Description</i> | <i>Gross Weight</i> | <i>List Price</i> |
|-------------------|--|---------------------|-------------------|
| 66LPBEQA | LOW PROFILE 66" EURO Q-TACH BUCKET | 390 lbs | \$1,125.00 |
| 66LPBEQA-BOCE | L/P 66" EURO Q-TACH BUCKET W/ BOLT ON CUTTING EDGE | 468 lbs | \$1,305.00 |
| 66LPBEQA-TEETH | LOW PROFILE 66" EURO Q-TACH BUCKET W/ TEETH | 445 lbs | \$1,485.00 |
| 72LPBEQA | LOW PROFILE 72" EURO Q-TACH BUCKET | 420 lbs | \$1,180.00 |
| 72LPBEQA-BOCE | L/P 72" EURO Q-TACH BUCKET W/ BOLT ON CUTTING EDGE | 505 lbs | \$1,370.00 |
| 72LPBEQA-TEETH | LOW PROFILE 72" EURO Q-TACH BUCKET W/ TEETH | 482 lbs | \$1,485.00 |
| 78LPBEQA | LOW PROFILE 78" EURO Q-TACH BUCKET | 450 lbs | \$1,250.00 |
| 78LPBEQA-BOCE | L/P 78" EURO Q-TACH BUCKET W/ BOLT ON CUTTING EDGE | 442 lbs | \$1,460.00 |
| 78LPBEQA-TEETH | LOW PROFILE 78" EURO Q-TACH BUCKET W/ TEETH | 512 lbs | \$1,560.00 |
| 84LPBEQA | LOW PROFILE 84" EURO Q-TACH BUCKET | 480 lbs | \$1,295.00 |
| 84LPBEQA-BOCE | L/P 84" EURO Q-TACH BUCKET W/ BOLT ON CUTTING EDGE | 579 lbs | \$1,520.00 |
| 84LPBEQA-TEETH | LOW PROFILE 84" EURO Q-TACH BUCKET W/ TEETH | 549 lbs | \$1,755.00 |
| 90LPBEQA | LOW PROFILE 90" EURO Q-TACH BUCKET | 510 lbs | \$1,340.00 |
| 90LPBEQA-BOCE | L/P 90" EURO Q-TACH BUCKET W/ BOLT ON CUTTING EDGE | 616 lbs | \$1,385.00 |
| 90LPBEQA-TEETH | LOW PROFILE 90" EURO Q-TACH BUCKET W/ TEETH | 585 lbs | \$1,840.00 |
| 96LPBEQA | LOW PROFILE 96" EURO Q-TACH BUCKET | 540 lbs | \$1,385.00 |
| 96LPBEQA-BOCE | L/P 96" EURO Q-TACH BUCKET W/ BOLT ON CUTTING EDGE | 653 lbs | \$1,645.00 |
| 96LPBEQA-TEETH | LOW PROFILE 96" EURO Q-TACH BUCKET W/ TEETH | 615 lbs | \$1,770.00 |



Buckets

John Deer 440/540 Hookup Low Profile Buckets

| <i>Product ID</i> | <i>Description</i> | <i>Gross Weight</i> | <i>List Price</i> |
|-------------------|---|---------------------|-------------------|
| 66LPBJDQA | LOW PROFILE 66" JD440/540 Q-TACH BUCKET | 390 lbs | \$1,125.00 |
| 66LPBJDQA-BOCE | L/P 66" JD440/540 Q-TACH BUCKET W/ BOLT ON CUTTING EDGE | 468 lbs | \$1,305.00 |
| 66LPBJDQA-TEETH | LOW PROFILE 66" JD440/540 Q-TACH BUCKET W/ TEETH | 445 lbs | \$1,485.00 |
| 72LPBJDQA | LOW PROFILE 72" JD440/540 Q-TACH BUCKET | 420 lbs | \$1,180.00 |
| 72LPBJDQA-BOCE | L/P 72" JD440/540 Q-TACH BUCKET W/ BOLT ON CUTTING EDGE | 505 lbs | \$1,370.00 |
| 72LPBJDQA-TEETH | LOW PROFILE 72" JD440/540 Q-TACH BUCKET W/ TEETH | 482 lbs | \$1,485.00 |
| 78LPBJDQA | LOW PROFILE 78" JD440/540 Q-TACH BUCKET | 450 lbs | \$1,250.00 |
| 78LPBJDQA-BOCE | L/P 78" JD440/540 Q-TACH BUCKET W/ BOLT ON CUTTING EDGE | 442 lbs | \$1,460.00 |
| 78LPBJDQA-TEETH | LOW PROFILE 78" JD440/540 Q-TACH BUCKET W/ TEETH | 512 lbs | \$1,560.00 |
| 84LPBJDQA | LOW PROFILE 84" JD440/540 Q-TACH BUCKET | 480 lbs | \$1,295.00 |
| 84LPBJDQA-BOCE | L/P 84" JD440/540 Q-TACH BUCKET W/ BOLT ON CUTTING EDGE | 579 lbs | \$1,520.00 |
| 84LPBJDQA-TEETH | LOW PROFILE 84" JD440/540 Q-TACH BUCKET W/ TEETH | 549 lbs | \$1,755.00 |
| 90LPBJDQA | LOW PROFILE 90" JD440/540 Q-TACH BUCKET | 510 lbs | \$1,340.00 |
| 90LPBJDQA-BOCE | L/P 90" JD440/540 Q-TACH BUCKET W/ BOLT ON CUTTING EDGE | 616 lbs | \$1,345.00 |
| 90LPBJDQA-TEETH | LOW PROFILE 90" JD440/540 Q-TACH BUCKET W/ TEETH | 585 lbs | \$1,840.00 |
| 96LPBJDQA | LOW PROFILE 96" JD440/540 Q-TACH BUCKET | 540 lbs | \$1,385.00 |
| 96LPBJDQA-BOCE | L/P 96" JD440/540 Q-TACH BUCKET W/ BOLT ON CUTTING EDGE | 653 lbs | \$1,645.00 |
| 96LPBJDQA-TEETH | LOW PROFILE 96" JD440/540 Q-TACH BUCKET W/ TEETH | 615 lbs | \$1,770.00 |



>3/16 MATERIAL THROUGHOUT

>COME WITH 5/8" X 6" WELDED ON CUTTING EDGE

>BOTTOM RUNNERS

>ALL BUCKETS ARE COMPATIBLE WITH BOLT ON CUTTING EDGE

>34" DEEP BY 19" HIGH



Dump Buckets

Regular Capacity High Dump Buckets

| <i>Product ID</i> | <i>Description</i> | <i>Gross Weight</i> | <i>List Price</i> |
|-------------------|---------------------------------|---------------------|-------------------|
| HDB86SQA | HIGH DUMP 86" SS Q-TACH BUCKET | 987 lbs | \$4,565.00 |
| HDB92SQA | HIGH DUMP 92" SS Q-TACH BUCKET | | \$4,730.00 |
| HDB98SQA | HIGH DUMP 98" SS Q-TACH BUCKET | | \$4,880.00 |
| HDB104SQA | HIGH DUMP 104" SS Q-TACH BUCKET | | \$5,030.00 |
| HDB110SQA | HIGH DUMP 110" SS Q-TACH BUCKET | | \$5,190.00 |

High Volume High Dump Buckets

| <i>Product ID</i> | <i>Description</i> | <i>Gross Weight</i> | <i>List Price</i> |
|-------------------|--|---------------------|-------------------|
| HVHDB80SQA | HIGH VOLUME HIGH DUMP BUCKET 80" SS Q-TACH | | \$5,400.00 |
| HVHDB84SQA | HIGH VOLUME HIGH DUMP BUCKET 84" SS Q-TACH | | \$5,450.00 |
| HVHDB86SQA | HIGH VOLUME HIGH DUMP BUCKET 86" SS Q-TACH | 1145 lbs | \$5,500.00 |
| HVHDB96SQA | HIGH VOLUME HIGH DUMP BUCKET 96" SS Q-TACH | 1326 lbs | \$5,545.00 |



Normal Capacity High Dump Bucket



High Volume High Dump Bucket

3PH Dump and Weight Boxes

3 Point Hitch Dump Boxes

| <i>Product ID</i> | <i>Description</i> | <i>Gross Weight</i> | <i>List Price</i> |
|-------------------|------------------------------------|---------------------|-------------------|
| 3X3DB3PH | 3' X 3' DUMP BOX 3PH 10 CUBIC FEET | | \$400.00 |
| 4X4DB3PH | 4' X 4' DUMP BOX 3PH 30 CUBIC FEET | | \$860.00 |



3 Point Hitch Dump Box

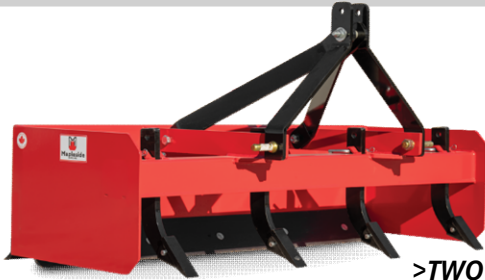
3 Point Hitch Weight Boxes

| <i>Product ID</i> | <i>Description</i> | <i>Gross Weight</i> | <i>List Price</i> |
|-------------------|-------------------------------------|---------------------|-------------------|
| 3PHWB-SM-R | SMALL 3PH WEIGHT BOX CAT 1 - RED | | \$489.00 |
| 3PHWB-SM-JD | SMALL WEIGHT BOX CAT 1 - JD GREEN | | \$489.00 |
| 3PHWB-SM-O | SMALL 3PH WEIGHT BOX CAT 1 - ORANGE | | \$489.00 |
| 3PHWB-LG-R | BIG 3PH WEIGHT BOX CAT 2 - RED | | \$549.00 |
| 3PHWB-LG-JD | BIG 3PH WEIGHT BOX CAT 2 - JD GREEN | | \$549.00 |
| 3PHWB-LG-O | BIG 3PH WEIGHT BOX CAT 2 - ORANGE | | \$549.00 |

Blades

3 Point Hitch Box Blades

| <u>Product ID</u> | <u>Description</u> | <u>Gross Weight</u> | <u>List Price</u> |
|-------------------|--|---------------------|-------------------|
| 4BB3PH | 4 FT BOX BLADE 3 POINT HITCH - 3 RIPPERS | 360 lbs | \$925.00 |
| 5BB3PH | 5 FT BOX BLADE 3 POINT HITCH - 4 RIPPERS | 420 Lbs | \$1,080.00 |
| 6BB3PH | 6 FT BOX BLADE 3 POINT HITCH - 5 RIPPERS | 520 lbs | \$1,205.00 |
| 7BB3PH | 7 FT BOX BLADE 3 POINT HITCH - 6 RIPPERS | 593 lbs | \$1,345.00 |
| 8BB3PH | 8 FT BOX BLADE 3 POINT HITCH - 7 RIPPERS | 655 lbs | \$1,470.00 |



- >**TWO REVERSABLE CUTTING EDGES**
- >**CUTTING EDGE ON THE BACK FOR PUSHING APPLICATIONS**
- >**4FT AND 5FT HAVE 5/16" THICK SIDES**
- >**6FT, 7FT, AND 8FT HAVE 1/2" THICK SIDES**
- >**3/16" MAIN BODY MATERIALS**

3 Point Hitch Grader Blades

| <u>Product ID</u> | <u>Description</u> | <u>Gross Weight</u> | <u>List Price</u> |
|-------------------|-------------------------------------|---------------------|-------------------|
| 3PHGB-4 | 3 POINT HITCH GRADER BLADE 4 FT | 177 lbs | \$810.00 |
| 3PHGB-5 | 3 POINT HITCH GRADER BLADE 5 FT | 204 lbs | \$880.00 |
| 3PHGB-6 | 3 POINT HITCH GRADER BLADE 6 FT | 225 lbs | \$935.00 |
| 3PHGB-7 | 3 POINT HITCH GRADER BLADE 7 FT | 264 lbs | \$985.00 |
| 3PHGBHD-7 | 3 POINT HITCH H.D GRADER BLADE 7 FT | 521 lbs | \$1,625.00 |
| 3PHGBHD-8 | 3 POINT HITCH H.D GRADER BLADE 8 FT | 550 lbs | \$1,845.00 |
| ACK-7-8HD | CYLINDER KIT FOR HD GRADER BLADES | | \$370.00 |



Heavy duty grader blade

- >**MULTIPLE SIZES FOR EVERY RATING OF TRACTOR**
- >**REVERSABLE CUTTING EDGE**
- >**ROTATING BLADE FOR PUSHING AND PULLING APPLICATIONS**
- >**CYLINDER KIT AVAILABLE FOR THE HD GRADERS**

Reg. duty Grader Blade



3 Point Hitch Land Planes

| <i>Product ID</i> | <i>Description</i> | <i>Gross Weight</i> | <i>List Price</i> |
|-------------------|------------------------------|---------------------|-------------------|
| LP3PH5 | 3 POINT HITCH LAND PLANE 5FT | 640 lbs | \$1,745.00 |
| LP3PH6 | 3 POINT HITCH LAND PLANE 6FT | 700 lbs | \$1,845.00 |
| LP3PH7 | 3 POINT HITCH LAND PLANE 7FT | 770 lbs | \$2,000.00 |
| LP3PH8 | 3 POINT HITCH LAND PLANE 8FT | 830 lbs | \$2,200.00 |

Skid Steer Land Planes

| <i>Product ID</i> | <i>Description</i> | <i>Gross Weight</i> | <i>List Price</i> |
|-------------------|---------------------------|---------------------|-------------------|
| LPSSQA5 | SKID STEER LAND PLANE 5FT | 700 lbs | \$2,125.00 |
| LPSSQA6 | SKID STEER LAND PLANE 6FT | 775 lbs | \$2,260.00 |
| LPSSQA7 | SKID STEER LAND PLANE 7FT | 830 lbs | \$2,375.00 |
| LPSSQA8 | SKID STEER LAND PLANE 8FT | 900 lbs | \$2,500.00 |



3 POINT HITCH LAND PLANE

SKID STEER LAND PLANE

- > Dual reversible curved 1/2" x 6" high-carbon steel blade cutting edges
- > Replaceable bolted on adjustable skid shoes
- > Approximate depth and height 51" deep x 33" high
- > Adjustable skid steer mount
- > Category 1 three point hitch
- > Quick hitch compatible
- > Rated for tractors up to 60hp



Land Levelers

| <i>Product ID</i> | <i>Description</i> | <i>Gross Weight</i> | <i>List Price</i> |
|-------------------|---------------------------|---------------------|-------------------|
| 6FTLL | 6FT LAND LEVELER | | \$4,175.00 |
| 6FTLL-TILT | 6FT LAND LEVELER W/ TILT | | \$4,700.00 |
| 8FTLL | 8FT LAND LEVELER | | \$4,280.00 |
| 8FTLL-TILT | 8FT LAND LEVELER W/ TILT | | \$4,860.00 |
| 10FTLL | 10FT LAND LEVELER | | \$4,450.00 |
| 10FTLL-TILT | 10FT LAND LEVELER W/ TILT | | \$4,900.00 |
| 12FTLL | 12FT LAND LEVELER | | \$5,015.00 |
| 12FTLL-TILT | 12FT LAND LEVELER W/ TILT | | \$5,500.00 |
| 14FTLL | 14FT LAND LEVELER | | \$5,860.00 |
| 14FTLL-TILT | 14FT LAND LEVELER W/ TILT | | \$6,250.00 |
| 16FTLL | 16FT LAND LEVELER | | \$5,870.00 |
| 16FTLL-TILT | 16FT LAND LEVELER W/ TILT | | \$6,440.00 |

- >MADE OF 1/4" AND 1/2" MATERIALS**
- >STRENGTHENED TONGUE FOR BETTER DURABILITY**
- >ALL MODELS HAVE LIFT**
- >OPTIONAL TILT FOR GRADING ON A SLOPE FOR WATER RUN OFF**
- >COMES WITH TIRES, HOSES AND COUPLERS.**



Grapples

Skid Steer Hookup Heavy Duty Brush Grapple

| <u>Product ID</u> | <u>Description</u> | <u>Gross Weight</u> | <u>List Price</u> |
|-------------------|---------------------------------------|---------------------|-------------------|
| 80HDBG | 80" SS HEAVY DUTY BRUSH GRAPPLE | 1050 lbs | \$5,190.00 |
| 80HDBG-AR400 | 80" SS HEAVY DUTY BRUSH GRAPPLE AR400 | 1050 lbs | \$6,800.00 |
| 54BGSQA | 54" SS BRUSH GRAPPLE | | \$3,700.00 |



- >**H.D BRUSH GRAPPLE COMES WITH TWO THUMBS**
- >**AR400 HARDEND TIPS ON GRAPPLE AND ON THUMBS**
- >**COMES WITH CYLINDERS AND HOSES**

Bucket Grapples

| <u>Product ID</u> | <u>Description</u> | <u>Gross Weight</u> | <u>List Price</u> |
|-------------------|---------------------------------------|---------------------|-------------------|
| HDGB80SSQA | HEAVY DUTY GRAPPLE FLAT BUCKET SS 80" | | \$5,900.00 |



- >**MADE OF 1/4", 1/2" AND 3/4" MATERIALS**
- >**COMES WITH HOSES AND COUPLERS**

Skid Steer Hookup Log Grapples

| <u>Product ID</u> | <u>Description</u> | <u>Gross Weight</u> | <u>List Price</u> |
|-------------------|------------------------------|---------------------|-------------------|
| LGFA | LOG GRAPPLE FORKS FRAME ONLY | | \$2,215.00 |
| LGFA-42 | LOG GRAPPLE 42" TINES | | \$2,465.00 |
| LGFA-48 | LOG GRAPPLE 48" TINES | | \$2,490.00 |
| LGFA-54 | LOG GRAPPLE 54" TINES | | \$2,520.00 |



- >**CYLINDER GUARD TO PROTECT FROM DAMAGING THE CYLINDER**
- >**MOVE LOGS AND POSTS WITH EASE**
- >**STANDARD 16" CARRAGE**
- >**MAIN FRAME MADE OUT OF 3/8 MATERIAL**
- >**GRAPPLE MATERIAL IS MADE UP OF 1/2" AND 1/4" MATERIAL**



Skid Steer Hookup Tree Puller

| <i>Product ID</i> | <i>Description</i> | <i>Gross Weight</i> | <i>List Price</i> |
|-------------------|--|---------------------|-------------------|
| TPSB | TREE PULLER/STUMP BUCKET SKID STEER Q-TACH | 620 lbs | \$3,095.00 |



- >REPLACEABLE TEETH ON THE FRONT**
- >SERRATED ARMS FOR BREAKING AND TEARING ROOTS**
- >STANDARD WITH BOLT ON OUTSIDE SERRATED PLATES**
- >REMOVABLE PROTECTIVE BACK GRILL**
- >COMES WITH HOSES AND COUPLERS**



Manure Forks

Skid Steer Hookup Manure Forks

| <u>Product ID</u> | <u>Description</u> | <u>Gross Weight</u> | <u>List Price</u> |
|-------------------|--|---------------------|-------------------|
| 60MFSQA | SS Q-TACH MANURE FORK 60" FRAME ONLY | | \$845.00 |
| 60MFSQA-35 | SS Q-TACH MANURE FORK 60" FRAME 35" CRANKED TINE | 465 lbs | \$1,520.00 |
| 72MFSQA | SS Q-TACH MANURE FORK 72" FRAME ONLY | | \$1,015.00 |
| 72MFSQA-35 | SS Q-TACH MANURE FORK 72" FRAME 35" CRANKED TINE | 512 lbs | \$1,775.00 |
| 84MFSQA | SS Q-TACH MANURE FORK 84" FRAME ONLY | | \$1,135.00 |
| 84MFSQA-35 | SS Q-TACH MANURE FORK 84" FRAME 35" CRANKED TINE | 600 lbs | \$2,065.00 |

Euro/ALO Hookup Manure Forks

| <u>Product ID</u> | <u>Description</u> | <u>Gross Weight</u> | <u>List Price</u> |
|-------------------|--|---------------------|-------------------|
| 60MFEQA | EURO Q-TACH MANURE FORK 60" FRAME ONLY | | \$845.00 |
| 60MFEQA-35 | EURO Q-TACH MANURE FORK 60" FRAME 35" CRANKED TINE | 460 lbs | \$1,520.00 |
| 72MFEQA | EURO Q-TACH MANURE FORK 72" FRAME ONLY | | \$1,020.00 |
| 72MFEQA-35 | EURO Q-TACH MANURE FORK 72" FRAME 35" CRANKED TINE | 500 lbs | \$1,780.00 |
| 84MFEQA | EURO Q-TACH MANURE FORK 84" FRAME ONLY | | \$1,135.00 |
| 84MFEQA-35 | EURO Q-TACH MANURE FORK 84" FRAME 35" CRANKED TINE | 600 lbs | \$2,065.00 |



>CONUS 1 SLEEVES

>35" CRANKED CONUS 1 TINES

>TINES ARE SPACED 8" APART

>SIDE PLATES AND WARE BAR ON BOTTOM ARE 3/8" MATERIAL

>MAIN BODY IS 1/4" MATERIAL



Rock Buckets

Skid Steer Hookup Rock Buckets

| <i>Product ID</i> | <i>Description</i> | <i>Gross Weight</i> | <i>List Price</i> |
|-------------------|---|---------------------|-------------------|
| 66RBSQA | SS Q-TACH ROCK BUCKET 66" L 20" H 40" D | 560 lbs | \$1,710.00 |
| 72RBSQA | SS Q-TACH ROCK BUCKET 72" L 20" H 40" D | 600 lbs | \$1,785.00 |
| 78RBSQA | SS Q-TACH ROCK BUCKET 78" L 20" H 40" D | 640 lbs | \$1,870.00 |
| 84RBSQA | SS Q-TACH ROCK BUCKET 84" L 20" H 40" D | 675 lbs | \$1,975.00 |

Euro/ALO Hookup Rock Buckets

| <i>Product ID</i> | <i>Description</i> | <i>Gross Weight</i> | <i>List Price</i> |
|-------------------|---|---------------------|-------------------|
| 66RBEQA | EURO Q-TACH ROCK BUCKET 66" L 20" H 40" D | 560 lbs | \$1,710.00 |
| 72RBEQA | EURO Q-TACH ROCK BUCKET 72" L 20" H 40" D | 600 lbs | \$1,785.00 |
| 78RBEQA | EURO Q-TACH ROCK BUCKET 78" L 20" H 40" D | 640 lbs | \$1,870.00 |
| 84RBEQA | EURO Q-TACH ROCK BUCKET 84" L 20" H 40" D | 675 lbs | \$1,975.00 |

John Deer 440/540 Hookup Rock Buckets

| <i>Product ID</i> | <i>Description</i> | <i>Gross Weight</i> | <i>List Price</i> |
|-------------------|--|---------------------|-------------------|
| 66RBJDQA | JD440/540 Q-TACH ROCK BUCKET 66" L 20" H 40" D | 560 lbs | \$1,710.00 |
| 72RBJDQA | JD440/540 Q-TACH ROCK BUCKET 72" L 20" H 40" D | 600 lbs | \$1,785.00 |
| 78RBJDQA | JD440/540 Q-TACH ROCK BUCKET 78" L 20" H 40" D | 640 lbs | \$1,870.00 |
| 84RBJDQA | JD440/540 Q-TACH ROCK BUCKET 84" L 20" H 40" D | 675 lbs | \$1,975.00 |



>20" HIGH 40" DEEP

>VERTICAL SHEET METAL TINES FOR ADDED STRENGTH

>2.5" BETWEEN TINES

> 3/8" MATERIAL

Mister Picker Rock Buckets

| <i>Product ID</i> | <i>Description</i> | <i>Gross Weight</i> | <i>List Price</i> |
|-------------------|---|---------------------|-------------------|
| RBMP86SQA | 86" MISTER PICKER ROCK BUCKET SKID STEER Q-TACH | | \$4,755.00 |

Snow Pushers

Skid Steer Hookup Snow Pushers

| <u>Product ID</u> | <u>Description</u> | <u>Gross Weight</u> | <u>List Price</u> |
|-------------------|-------------------------------------|---------------------|-------------------|
| 6SPSQA | SKID STEER Q-TACH SNOW PUSHER 6 FT | 725 Lbs | \$2,225.00 |
| 7SPSQA | SKID STEER Q-TACH SNOW PUSHER 7 FT | | \$2,525.00 |
| 8SPSQA | SKID STEER Q-TACH SNOW PUSHER 8 FT | 835 Lbs | \$2,645.00 |
| 9SPSQA | SKID STEER Q-TACH SNOW PUSHER 9 FT | | \$2,750.00 |
| 10SPSQA | SKID STEER Q-TACH SNOW PUSHER 10 FT | 940 Lbs | \$2,940.00 |
| 12SPSQA | SKID STEER Q-TACH SNOW PUSHER 12 FT | 1062 Lbs | \$3,170.00 |

Euro/ALO Hookup Snow Pushers

| <u>Product ID</u> | <u>Description</u> | <u>Gross Weight</u> | <u>List Price</u> |
|-------------------|-------------------------------|---------------------|-------------------|
| 6SPEQA | EURO Q-TACH SNOW PUSHER 6 FT | 725 Lbs | \$2,225.00 |
| 7SPEQA | EURO Q-TACH SNOW PUSHER 7 FT | | \$2,525.00 |
| 8SPEQA | EURO Q-TACH SNOW PUSHER 8 FT | 835 Lbs | \$2,645.00 |
| 9SPEQA | EURO Q-TACH SNOW PUSHER 9 FT | | \$2,750.00 |
| 10SPEQA | EURO Q-TACH SNOW PUSHER 10 FT | 940 Lbs | \$2,940.00 |
| 12SPEQA | EURO Q-TACH SNOW PUSHER 12 FT | 1060 Lbs | \$3,170.00 |



- >**COMES WITH ADJUSTIBLE HARDENED SKID SHOES**
- >**ALL PUSHERS COME WITH BACK DRAG**
- >**COMES WITH HARDENED REVERSABLE CUTTING EDGE**
- >**32" HIGH BY 36" DEEP**

Compact Snow Pushers

Snow Pushers

| <i><u>Product ID</u></i> | <i><u>Description</u></i> | <i><u>Gross Weight</u></i> | <i><u>List Price</u></i> |
|--------------------------|-----------------------------------|----------------------------|--------------------------|
| 48SP-C-SS | COMPACT SS Q-TACH SNOW PUSHER 48" | | \$1,700.00 |
| 54SP-C-SS | COMPACT SS Q-TACH SNOW PUSHER 54" | | \$1,725.00 |
| 60SP-C-SS | COMPACT SS Q-TACH SNOW PUSHER 60" | | \$1,830.00 |
| 66SP-C-SS | COMPACT SS Q-TACH SNOW PUSHER 66" | | \$1,885.00 |
| 72SP-C-SS | COMPACT SS Q-TACH SNOW PUSHER 72" | | \$1,945.00 |



Hydraulic Snow Blades

Skid Steer Hookup Snow Blades

| <i>Product ID</i> | <i>Description</i> | <i>Gross Weight</i> | <i>List Price</i> |
|-------------------|--|---------------------|-------------------|
| 8HYDSQASB | SKID STEER Q-TACH HYDRAULIC SNOW BLADE 8 FT | | \$4,500.00 |
| 10HYDSQASB | SKID STEER Q-TACH HYDRAULIC SNOW BLADE 10 FT | | \$4,615.00 |



>25" HIGH MOLDBOARD

>COMES WITH DUAL CYLINDERS FOR ANGLE

>COMES WITH SPRING TRIP EDGE

>COMES WITH HOSES

>AVAILABLE IN SKID STEER AND EURO HOOKUP



Rotary Cutters

Skid Steer Hookup Rotary Cutters

| <u>Product ID</u> | <u>Description</u> | <u>Gross Weight</u> | <u>List Price</u> |
|-------------------|-------------------------------------|---------------------|-------------------|
| 72RC-SSQA | 72" ROTARY CUTTER SKID STEER Q-TACH | | \$5,575.00 |
| 72RC-3PH | 72" ROTARY CUTTER 3PH | | \$4,395.00 |
| RC-WHEEL | ROTARY CUTTER WHEEL | | \$450.00 |



- >72" Cutting Path**
- >78" Overall Width**
- >3/16" Material for the Deck**
- >Front wheel (Optional)**



Lawn Rollers

Tow Behind Rollers

| <u>Product ID</u> | <u>Description</u> | <u>Gross Weight</u> | <u>List Price</u> |
|-------------------|--------------------------|---------------------|-------------------|
| 24X48DR | 24" DRUM ROLLER 48" WIDE | 325 Lbs | \$940.00 |
| 24X60DR | 24" DRUM ROLLER 60" WIDE | 380 Lbs | \$1,060.00 |
| 24X72DR | 24" DRUM ROLLER 72" WIDE | 440 Lbs | \$1,200.00 |
| 30X48DR | 30" DRUM ROLLER 48" WIDE | 405 Lbs | \$1,250.00 |
| 30X60DR | 30" DRUM ROLLER 60" WIDE | 575 Lbs | \$1,430.00 |
| 30X72DR | 30" DRUM ROLLER 72" WIDE | 675 Lbs | \$1,600.00 |

>1/8 Material

>Drain plug for adding water for extra weight

>1/4" 2x2 tubing for the frame



Boom Poles

Skid Steer Hookup Boom Poles

| <u>Product ID</u> | <u>Description</u> | <u>Gross Weight</u> | <u>List Price</u> |
|-------------------|--------------------------------------|---------------------|-------------------|
| 10BPSQA | 10FT TELESCOPIC SKID STEER BOOM POLE | 310 Lbs | \$1,375.00 |
| 10BPEQA | 10FT TELESCOPIC EURO BOOM POLE | 310 Lbs | \$1,475.00 |

> Skid steer and Euro hookup

> 75" main boom with 48" telescopic boom

>Pintle hook on end with spring-loaded locking arm & pin

>3000 lbs capacity closed & 1500 lbs capacity extended

MT Style Attachments

MT Manure Forks

| <u>Product ID</u> | <u>Description</u> | <u>Gross Weight</u> | <u>List Price</u> |
|-------------------|--|---------------------|-------------------|
| 36MFMINIBC | 36" MINI SKID STEER MANURE FORK FRAME ONLY | | \$480.00 |
| 36MFMINIBC-35 | 48" MINI BOBCAT MANURE FORK W/ 35" CRANKED TINES | | \$565.00 |
| 48MFMINIBC | 36" MINI SKID STEER MANURE FORK FRAME ONLY | | \$640.00 |
| 48MFMINIBC-35 | 48" MINI BOBCAT MANURE FORK W/ 35" CRANKED TINES | | \$950.00 |

MT Bale Spears

| <u>Product ID</u> | <u>Description</u> | <u>Gross Weight</u> | <u>List Price</u> |
|-------------------|---|---------------------|-------------------|
| MINIBC-2PBS | 2 PRONG BALE SPEAR MINI BOBCAT | | \$495.00 |
| MINIBC-2PBS | 2 PRONG BALE SPEAR MINI BOBCAT W/ 39" TINES | | \$755.00 |
| DPD-2X2 | 2 PRONG SLIDE IN BALE SPEAR TUBE 2X2 SET | | \$175.00 |

MT PALLET FORKS

| | | | |
|-----------------|--|--|----------|
| MINI-20SQAPF | 2000lb MINI BOBCAT PALLET FORK FRAME ONLY | | \$350.00 |
| MINI-20SQAPF-42 | 2000lb MINI BOBCAT PALLET FORKS W/ 42" FORKS | | \$515.00 |



Pins, Adapters, & Accessories

Adapters and plates

| <u>Product ID</u> | <u>Description</u> | <u>Gross Weight</u> | <u>List Price</u> |
|-------------------|---|---------------------|-------------------|
| THSSQA | TRAILER HITCH SKID STEER Q-TACH | | \$300.00 |
| HHTHSQA | HAND HELD TRAILER HITCH SKID STEER Q-TACH | | \$205.00 |
| SSQAWOK | SKID STEER Q-TACH WELD PLATE | | \$250.00 |
| JDQAWOK | JD440/540 WELD ON PLATE | | \$295.00 |
| FWOEQA | EURO Q-TACH WELD PLATE | | \$315.00 |
| EQAWOK | EURO Q-TACH WELD ON HOOKS | | \$130.00 |
| SSQABOSP | SKID STEER Q-TACH BOLT ON MOUNT FOR SNOW PUSHER | | \$300.00 |
| EQABOSP | EURO Q-TACH BOLT ON MOUNT FOR SNOW PUSHER | | \$330.00 |
| JCB406QABOSP | JCB 406-QA BOLT ON MOUNT FOR SNOW PUSHER | | |
| SSQA-EURO | SKID STEER TO EURO ADAPTER | | \$1,030.00 |
| EURO-SSQA | EURO TO SKID STEER ADAPTER | | \$1,550.00 |
| QUICK3PH-1 | CLASS 1 QUICK HITCH | | \$470.00 |
| QUICK3PH-2 | CLASS 2 QUICK HITCH | | \$600.00 |

FORKS, SPEARS, & TINES

| <u>Product ID</u> | <u>Description</u> | <u>Gross Weight</u> | <u>List Price</u> |
|-------------------|--|---------------------|-------------------|
| 4X1.5X42 | 42" 2A 4X1.5X54 FORKS 16" CARRIAGE | 47 Lbs | \$140.00 |
| 4X1.5X48 | 48" 2A 4X1.5X54 FORKS 16" CARRIAGE | 52 Lbs | \$150.00 |
| 4X1.5X54 | 54" 2A 4X1.5X54 FORKS 16" CARRIAGE | 56 Lbs | \$170.00 |
| BT-39 | 39" BALE TINE, COMES W/NUT | | \$145.00 |
| BT-49 | 49" BALE TINE, COMES W/NUT | | \$180.00 |
| MT-35 | 35" CRANKED CONUS 1 MANURE FORK TINE W/NUT | | \$70.00 |

Fork Extensions

| <u>Product ID</u> | <u>Description</u> | <u>Gross Weight</u> | <u>List Price</u> |
|-------------------|----------------------|---------------------|-------------------|
| 6FE | 6FT FORK EXTENSIONS | | \$400.00 |
| 78FE | 78" FORK EXTENSIONS | | \$440.00 |
| 8FE | 8FT FORK EXTENSIONS | | \$575.00 |
| 9FE | 9FT FORK EXTENSIONS | | \$650.00 |
| 10FE | 10FT FORK EXTENSIONS | | \$725.00 |
| 11FE | 11FT FORK EXTENSIONS | | \$1,070.00 |
| 12FE | 12FT FORK EXTENSIONS | | \$1,155.00 |



PINS

| <i>Product ID</i> | <i>Description</i> | <i>Gross Weight</i> | <i>List Price</i> |
|-------------------|--------------------------------------|---------------------|-------------------|
| LP-6 | 1/4" X 1.75" LYNCH PIN | | \$0.48 |
| LP-8 | 5/16" X 1.75 LYNCH PIN | | \$0.48 |
| BP-127 | 1/2" X 3" BENT HITCH PIN | | \$3.15 |
| HP-22 | 7/8" X 4.25" HITCH PIN | | \$10.50 |
| DP-22 | 3 POINT HITCH LIFT PIN, CAT 1 | | \$9.75 |
| RHHP-19114 | 3/4" X 4-1/2" RED HANDLE HITCH PIN | | \$5.67 |
| RHHP-19165 | 3/4" X 6-1/2" RED HANDLE HITCH PIN | | \$6.69 |
| RHHP-22114 | 7/8" X 4-1/2" RED HANDLE HITCH PIN | | \$8.52 |
| RHHP-22165 | 7/8" X 6-1/2" RED HANDLE HITCH PIN | | \$7.80 |
| RHHP-25114 | 1" X 4-1/2" RED HANDLE HITCH PIN | | \$8.52 |
| RHHP-22216 | 1-1/8" X 8-1/2" RED HANDLE HITCH PIN | | \$14.28 |



RED HANDLE HITCH PIN



LYNCH PIN



BENT HITCH PIN



3PH PIN

Replacement Parts

| <i>Product ID</i> | <i>Description</i> | <i>Gross Weight</i> | <i>List Price</i> |
|-------------------|----------------------------|---------------------|-------------------|
| BBLPS | BOX BLADE/LAND PLANE SHANK | | \$55.00 |
| RC-BLADE | ROTARY CUTTER BLADES | 9 LBS | \$75.00 |
| RC-BLADE BOLT | ROTARY CUTTER BLADE BOLT | | \$110.00 |

CUTTING EDGES & GRADER BLADES

| <i>Product ID</i> | <i>Description</i> | <i>Gross Weight</i> | <i>List Price</i> |
|-------------------|--------------------------------------|---------------------|-------------------|
| DBF-3/4X6X68-B | 68" 3/4" X 6" BOLT ON CUTTING EDGE | | \$180.00 |
| DBF-3/4X6X74-B | 74" 3/4" X 6" BOLT ON CUTTING EDGE | | \$190.00 |
| DBF-3/4X6X80-B | 80" 3/4" X 6" BOLT ON CUTTING EDGE | | \$210.00 |
| DBF-3/4X6X86-B | 86" 3/4" X 6" BOLT ON CUTTING EDGE | | \$225.00 |
| DBF-3/4X6X92-B | 92" 3/4" X 6" BOLT ON CUTTING EDGE | | \$240.00 |
| DBF-3/4X6X98-B | 98" 3/4" X 6" BOLT ON CUTTING EDGE | | \$260.00 |
| DBF-3/4X6X104-B | 104" 3/4" X 6" BOLT ON CUTTING EDGE | | \$280.00 |
| DBF-3/4X6X-110-B | 110" 3/4" X 6" BOLT ON CUTTING EDGE | | \$300.00 |
| GB-1/2X6X48-C | 1/2X6X4' (5/8B) CTR PU BLACK GR/BL | | \$65.00 |
| GB-1/2X6X54-C | 1/2X6X4.5' (5/8B) CTR PU BLACK GR/BL | | \$75.00 |
| GB-1/2X6X60-C | 1/2X6X5' (5/8B) CTR PU BLACK GR/BL | | \$85.00 |
| GB-1/2X6X72-C | 1/2X6X6' (5/8B) CTR PU BLACK GR/BL | | \$95.00 |
| GB-1/2X6X84-C | 1/2X6X7' (5/8B) CTR PU BLACK GR/BL | | \$105.00 |
| GB-1/2X6X96-C | 1/2X6X8' (5/8B) CTR PU BLACK GR/BL | | \$115.00 |



Mapleside Mfg. INC. Product Warranty

Mapleside. Mfg. INC. (Mapleside Mfg) stands behind the quality of our products and offers the following warranty to provide peace of mind to our valued customers:

Duration of Warranty:

All new products manufactured by Mapleside Mfg are warranted to be free from defects in materials and/or workmanship for a comprehensive period of 2 years. This warranty is extended exclusively to the original end-user and becomes effective on the date the original end-user receives the product.

Coverage and Limitations:

Mapleside Mfg's obligation under this warranty is limited to the repair or replacement of any part(s) proven to be defective in materials and/or workmanship under normal use and service. The determination of defects will be made by Mapleside Mfg through photographic evidence or other means as necessary.

"Normal use and service" refers to the usage consistent with the intended purpose of the goods and within conditions normally encountered through proper use. Any evidence of improper use, neglect, unauthorized repair, or alteration to the original design may void this warranty.

Warranty Claims Process:

Warranty claims must be initiated through an authorized Mapleside Mfg dealer. The dealer is required to contact Mapleside Mfg and obtain authorization before conducting any warranty work. Failure to secure prior authorization may result in rejected warranty claims.

Mapleside Mfg reserves the right to modify specifications and/or designs at any time for any product for sale, without obligation to owners of previously purchased products.

Exclusions from Warranty:

This warranty explicitly excludes the following items:

- Normal maintenance or adjustments
- Products lost or damaged during shipment
- Accessory items and parts not supplied by Mapleside Mfg

All warranty claims must be discussed with an authorized employee of Mapleside Mfg prior to any repairs being performed.

Mapleside Mfg makes no warranties beyond those expressly stated in this document, and no person is authorized to make any other warranties binding upon Mapleside Mfg with respect to products manufactured by Mapleside. Mfg. INC. Our commitment is to your satisfaction and the enduring quality of our products.

Rep'd by...

HARCOAG
EQUIPMENT

Mapleside Manufacturing
793202 Grey Road 124
Creemore, Ontario, L0M 1G0

www.maplesidemfg.ca



PRO-DIG



*PRO SLICE BRACKET PRICE INCREASE
 APRIL 1/25

FEEDING RANGE

ProDig Attachments

| Product Code # | Description | Size | List Price [CDN] |
|-------------------------------------|--|----------|------------------|
| SHEAR GENIUS | | | |
| GS 1500 | Shear Genius | 1.5m | \$13,293.00 |
| GS 1800 | Shear Genius | 1.8m | 14,624.00 |
| GS 2200 | Shear Genius | 2.2m | 15,288.00 |
| GS 2500 | Shear Genius | 2.5m | 16,174.00 |
| TBB 100 | Tractor bolt on brackets | | *571.00 |
| IDBB 100 | Industrial bolt on brackets <i>(Price does not include brackets)</i> | | *799.00 |
| MEGA BITE | | | |
| MB 1500 | Mega Bite | 1.5m | \$13,293.00 |
| MB 1800 | Mega Bite | 1.8m | 14,180.00 |
| MB 2200 | Mega Bit | 2.2m | 15,066.00 |
| MB PO | Twin Cylinder Push Off | | 1,662.00 |
| MP3-1500-F-MESH | 1.5m Maize Infill Panel (not compatible w/Push Off.) | | 166.00 |
| MP3-1800-F-MESH | 1.8m Maize Infill Panel (not compatible w/Push Off.) | | 219.00 |
| MP3-2200-F-MESH | 2.2m Maize Infill Panel (not compatible w/Push Off.) | | 285.00 |
| TBB 100 | Tractor bolt on brackets | | *571.00 |
| IDBB 100 | Industrial bolt on brackets | | *799.00 |
| MBNG | Removal of plastic/net gripper unit | | 554.00 |
| HX TIP | Replacement weld on hardox wear tips for tines <i>(Price does not include brackets)</i> | Each | 39.00 |
| PRO SLICE | | | |
| BS-B0S | Pro Slice -complete with plastic/net gripper | | \$8,418.00 |
| Optional Extras | | | |
| TBB100 | Tractor Bolt on Brackets | | *571.00 |
| IDBB100 | Industrial Bolt on Brackets | | *799.00 |
| 980SFT | Extra Tines (pair) for carrying 2 bales | | 266.00 |
| GRAPPLE BUCKETS - TRACTOR | | | |
| GPTG 1500 | Grapple Buckets – Tractor | 1.5m | \$6,202.00 |
| GPTG 1800 | Grapple Buckets – Tractor | 1.8m | 6,645.00 |
| GPTG 2100 | Grapple Buckets – Tractor | 2.1m | 6,978.00 |
| GPTGS | Removable Bucket Sides | | 454.00 |
| BOCE 200x25 | Bolt on cutting edge (per metre) <i>(Price include brackets)</i> | 200x25mm | 554.00 |
| GRAPPLE BUCKET - TELEHANDLER | | | |
| GPG 0.8 | Grapple Bucket – Tele-Handler | 1.8m | \$8,196.00 |
| GPG 1.1 | Grapple Bucket – Tele-Handler | 2.3m | 8,196.00 |
| GPG 1.5 | Grapple Bucket – Tele-Handler | 2.5m | 8,861.00 |
| GPG 1.7 | Grapple Bucket – Tele-Handler | 2.5m | 9,526.00 |
| GPTGS | Removable Bucket Sides | | 532.00 |
| BOCE 200x25 | Bolt on cutting edge (per metre) <i>(Price includes weld on brackets, bolt on also available)</i> | 200x25mm | 554.00 |

PRICED IN CANADIAN DOLLARS

PRICES ARE FOB HARRISTON, ON – DESIGN & PRICE ARE SUBJECT TO CHANGE WITHOUT NOTICE



*PRO SLICE BRACKET PRICE INCREASE
 APRIL 1/25

FEEDING RANGE ProDig Attachments

| Product Code # | Description | Size | List Price [CDN] |
|------------------------|---|------|------------------|
| PRO SHEAR GRABS | | | |
| SG 1300 | Shear Grab | 1.3m | \$8,196.00 |
| SG 1500 | Shear Grab | 1.5m | 8,640.00 |
| SG 1800 | Shear Grab | 1.8m | 9,748.00 |
| SG 2200 | Shear Grab | 2.2m | 11,077.00 |
| SG-PO-01 | Single Cylinder Push Off | | 1,551.00 |
| SG-1300-F-MESH | 1.3m Maize Infill Panel | | 244.00 |
| SG-1300-PO-MESH | 1.3m Maize Infill Panel (no centre for Push Off) | | 111.00 |
| SG-1500-F-MESH | 1.5m Maize Infill Panel | | 299.00 |
| SG-1500-PO-MESH | 1.5m Maize Infill Panel (no centre for Push Off) | | 166.00 |
| SG-1800-F-MESH | 1.8m Maize Infill Panel | | 344.00 |
| SG-1800-PO-MESH | 1.8m Maize Infill Panel (no centre for Push Off) | | 211.00 |
| SG-2200-F-MESH | 2.2m Maize Infill Panel | | 454.00 |
| SG-2200-PO-MESH | 2.2m Maize Infill Panel (no centre for Push Off) | | 321.00 |
| TBB 100 | Tractor bolt on brackets | | *571.00 |
| IDBB 100 | Industrial bolt on brackets | | *799.00 |
| HX TIP | Replacement weld on hardox wear tips for tines (Price does not include brackets) | Each | 39.00 |

| Shear Grab | SG1300 HX | SG 1500 HX | SG 1800 HX | SG 2200 HX |
|-----------------------|-------------------|-------------------|-------------------|-------------------|
| Height (mm) | (1034) – 41" | (1034) – 41" | (1034) – 41" | (1034) – 41" |
| Width (mm) | (1320) – 52" | (1520) – 60" | (1820) – 72" | (2220) – 87" |
| Depth (mm) | (1100) – 43" | (1100) – 43" | (1100) – 43" | (1100) – 43" |
| Capacity (m3) | .92 | 1.06 | 1.28 | 1.56 |
| Weight (kg) – lbs | (561) – 1246 lbs. | (603) – 1329 lbs. | (687) – 1514 lbs. | (793) – 1748 lbs. |
| Number of Tines | 9 Hardox | 10 Hardox | 12 Hardox | 15 Hardox |
| Tine spacing (mm) | (116) – 4.5" | (122) – 5" | (121) – 5" | (116) – 4.5" |
| Tine length (mm) | (885) – 35" | (885) – 35" | (885) – 35" | (885) – 35" |
| Rams | 2x90mm Bore | 20x90mm Bore | 2x100mm Bore | 2x100mm Bore |
| Opening Hgt (mm) | (800) – 31.5" | (800) – 31.5" | (800) – 31.5" | (800) – 31.5" |
| Pressure Relief Valve | Optional | Optional | Optional | Optional |

All measurements are approximate – Weight excludes brackets as these vary.



PRICED IN CANADIAN DOLLARS

PRICES ARE FOB HARRISTON, ON – DESIGN & PRICE ARE SUBJECT TO CHANGE WITHOUT NOTICE



*PRO SLICE BRACKET PRICE INCREASE
 APRIL 1/25

FEEDING RANGE ProDig Attachments

| Product Code # | Description | Size | List Price (CDN) |
|------------------------------|--|------|------------------|
| TRACTOR TINE GRAB | | | |
| TTG 1300 | Tine Grab – Tractor | 1.3m | \$6,202.00 |
| TTG 1500 | Tine Grab – Tractor | 1.5m | 6,424.00 |
| TTG 1800 | Tine Grab – Tractor | 1.8m | 6,645.00 |
| TBB 100 | Tractor bolt on brackets | | *571.00 |
| IDBB 100 | Industrial bolt on brackets | | *799.00 |
| HX TIP | Replacement weld on hardox wear tips for tines <i>(Price does not include brackets)</i> | each | 39.00 |
| TELEHANDLER TINE GRAB | | | |
| TG 1500 | Tine Grab – Tele-Handler | 1.5m | \$6,867.00 |
| TG 1800 | Tine Grab – Tele-Handler | 1.8m | 7,310.00 |
| TG 2200 | Tine Grab – Tele-Handler | 2.2m | 9,526.00 |
| TG 2500 | Tine Grab – Tele-Handler | 2.5m | 10,191.00 |
| TBB 100 | Tractor bolt on brackets | | *571.00 |
| IDBB 100 | Industrial bolt on brackets | | *799.00 |
| HX TIP | Replacement weld on hardox wear tips for tines <i>(Price does not include brackets)</i> | each | 39.00 |



PRICED IN CANADIAN DOLLARS

PRICES ARE FOB HARRISTON, ON – DESIGN & PRICE ARE SUBJECT TO CHANGE WITHOUT NOTICE



*PRO SLICE BRACKET PRICE INCREASE
 APRIL 1/25

FEEDING RANGE ProDig Attachments

| Product Code # | Description | Size | List Price (CDN) |
|-----------------------------|---|-------|------------------|
| CHOP 'N' FEED BUCKET | | | |
| CNF2000 | Chop 'n Feed Bucket | 2.0m | \$11,299.00 |
| CNF2300 | Chop 'n Feed Bucket | 2.3m | 11,742.00 |
| CNF2500 | Chop 'n Feed Bucket | 2.5m | 12,407.00 |
| TBB100-3PL-C2-CNF | 3-Point linkage w/hyd top link | | 1,662.00 |
| CNF-300-EXT-01 | Long Spout Extension | 300mm | 399.00 |
| TBB 100 | Tractor bolt on brackets | | *571.00 |
| IDBB 100 | Industrial bolt on brackets <i>(Price does not include brackets)</i> | | *799.00 |



PRICED IN CANADIAN DOLLARS

PRICES ARE FOB HARRISTON, ON – DESIGN & PRICE ARE SUBJECT TO CHANGE WITHOUT NOTICE



*PRO SLICE BRACKET PRICE INCREASE
 APRIL 1/25

GRASS HANDLING RANGE

ProDig Attachments

| Product Code # | Description | Size | List Price (CDN) |
|---------------------|--|----------|------------------|
| BALE HANDLER | | | |
| BH 500 | Hydraulic Bale Handler (Includes std rollers) | | \$3,100.00 |
| BH 500 EQ | Hydraulic Bale Handler-Weld on euro hitch (Inc std rollers) | | 3,210.00 |
| BH 500 QRR | Quick Release Rollers | per pair | 288.00 |
| TBB 100 | Tractor bolt on brackets | | *571.00 |
| IDBB 100 | Industrial bolt on brackets <i>(Price does not include brackets-except BH 500 EQ)</i> | | *799.00 |



| Product Code # | Description | Size | List Price [CDN] |
|----------------------------|---|------|------------------|
| HYDRAULIC BALE GRAB | | | |
| BG 500 | Hydraulic Bale Grab (excludes check valve) | | \$3,321.00 |
| BG 500 EQ | Hydraulic Bale Grab-Weld on euro hitch (excludes check valve) | | 3,432.00 |
| BG 500-CV | Optional check valve | | 222.00 |
| TBB 100 | Tractor bolt on brackets | | *571.00 |
| IDBB 100 | Industrial bolt on brackets <i>(Price does not include brackets-except BG 500EQ)</i> | | *799.00 |



| Product Code # | Description | Size | List Price [CDN] |
|----------------------|---|------|------------------|
| BALE STACKERS | | | |
| C320 | Bale Stacker (3 square, 2 round) | | \$9,969.00 |
| C430 | Bale Stacker (4 square, 3 round) | | 11,077.00 |
| TBB 100 | Tractor bolt on brackets | | *571.00 |
| IDBB 100 | Industrial bolt on brackets | | *799.00 |
| C320-C430-FUS-01 | C320-C430 Bottom bar hydraulic fold up system <i>(Price does not include brackets)</i> | | 1,363.00 |



PRICED IN CANADIAN DOLLARS

PRICES ARE FOB HARRISTON, ON – DESIGN & PRICE ARE SUBJECT TO CHANGE WITHOUT NOTICE



*PRO SLICE BRACKET PRICE INCREASE
 APRIL 1/25

GRASS HANDLING RANGE

ProDig Attachments

| Product Code # | Description | Size | List Price (CDN) |
|--|---|-------|------------------|
| PUSH OFF GRASS FORKS | | | |
| POGF 2500 HX | Push Off Grass Fork – Hardox Tines | 2.5m | \$17,504.00 |
| POGF 2750 HX | Push Off Grass Fork – Hardox Tines | 2.75m | 18,390.00 |
| POGF 3000 HX | Push Off Grass Fork – Hardox Tines | 3.0m | 18,833.00 |
| POGF 3300 HX | Push Off Grass Fork – Hardox Tines | 3.3m | 19,498.00 |
| POGF 3600 HX | Push Off Grass Fork – Hardox Tines | 3.6m | 20,163.00 |
| POGF 4000 HX | Push Off Grass Fork – Hardox Tines | 4.0m | 21,271.00 |
| PUSH OFF GRASS FORKS – FORGED TINES | | | |
| POGF 2500 RT | Push Off Grass Fork – Forged Tines | 2.5m | \$17,282.00 |
| POGF 2750 RT | Push Off Grass Fork – Forged Tines | 2.75m | 18,168.00 |
| POGF 3000 RT | Push Off Grass Fork – Forged Tines | 3.0m | 18,390.00 |
| POGF 3300 RT | Push Off Grass Fork – Forged Tines | 3.3m | 18,833.00 |
| POGF 3600 RT | Push Off Grass Fork – Forged Tines | 3.6m | 19,498.00 |
| POGF 4000 HX | Push Off Grass Fork – Forged Tines | 4.0m | 20,163.00 |
| POGF BB | Bolt on Hitch (3 pt linkage or industrial loader bracket) | | \$1,030.00 |
| POGF KILESKIFT | Extra for Kileskift Hitch (custom hitches priced accordingly) | | 2,360.00 |
| POGF LK | Lighting Kit (work & road transport lights) | | 1,208.00 |
| POGF-GATE-LOCK-01 | Bolt on Gate Locking Latch – per pair | | 576.00 |
| COLOUR | Colour options (any off standard colour) | | 288.00 |
| HX TIP XL | Replacement weld on Hardox wear tips for tines | | 55.00 |



PUSH THAT LOAD WITH EASE

PUSH OFF GRASS FORK

- Available in 2.5m to 4.0m
- Twice as effective over using a blade
- Less horsepower required
- Less fuel used
- Can also be used on Wheel Loaders
- 40mm Hardox tines 1400mm long
- Only 1 hydraulic service required
- 40mm greasable pins with bushings



PRICED IN CANADIAN DOLLARS

PRICES ARE FOB HARRISTON, ON – DESIGN & PRICE ARE SUBJECT TO CHANGE WITHOUT NOTICE



*PRO SLICE BRACKET PRICE INCREASE
 APRIL 1/25

GRASS HANDLING RANGE

ProDig Attachments

| Product Code # | Description | Size | List Price [CDN] |
|---|--|------------|------------------|
| FOLDING GRASS FORKS – MAMMOTH | | | |
| MAMMOTH-36-S | Grass Forks – Folding 1525 mm tines | 3600mm 12' | \$21,492.00 |
| MAMMOTH-36 | Grass Forks - Folding 1829 mm tines | 3600mm 12' | 22,157.00 |
| MAMMOTH-36-XL | Grass Forks - Folding 2090 mm tines | 3600mm 12' | 23,044.00 |
| MAMMOTH-42 | Grass Forks – Folding 1829 mm tines | 4200mm 14' | 23,708.00 |
| MAMMOTH-42-XL | Grass Forks – Folding 2090 mm tines | 4200mm 14' | 24,816.00 |
| MAMMOTH-49 | Grass Forks – Folding 1829 mm tines | 4900mm 16' | 25,481.00 |
| MAMMOTH-49-XL | Grass Forks – Folding 2090 mm tines | 4900mm 16' | 26,589.00 |
| MAMMOTH-55 | Grass Forks – Folding 1829 mm tines | 5500mm 18' | 27,697.00 |
| MAMMOTH-55-XL | Grass Forks – Folding 2090 mm tines | 5500mm 18' | 28,805.00 |
| CONTINENTAL FOLDING GRASS FORKS - TAURUS | | | |
| TAURUS-36-S | Grass Forks – Folding – 1524 mm tines | 3600mm 12' | \$21,049.00 |
| TAURUS-36 | Grass Forks – Folding – 1829 mm tines | 3600mm 12' | 21,714.00 |
| TAURUS-36-XL | Grass Forks – Folding – 2090 mm tines | 3600mm 12' | 22,379.00 |
| TAURUS-42 | Grass Forks – Folding – 1829 mm tines | 4200mm 14' | 23,265.00 |
| TAURUS-42-XL | Grass Forks – Folding – 2090 mm tines | 4200mm 14' | 23,930.00 |
| TAURUS-49 | Grass Forks – Folding – 1829 mm tines | 4900mm 16' | 25,260.00 |
| TAURUS-49-XL | Grass Forks – Folding – 2090 mm tines | 4900mm 16' | 25,924.00 |
| TAURUS-55 | Grass Forks – Folding – 1829 mm tines | 5500mm 18' | 27,254.00 |
| TAURUS-55-XL | Grass Forks – Folding – 2090 mm tines | 5500mm 18' | 28,140.00 |

| Product Code | Description | List Price [CDN] |
|---------------|---|------------------|
| FGF-MB-36 | Maize Blade complete to suit Taurus-36 | \$2,216.00 |
| FGF-MB-42 | Maize Blade complete to suit Taurus-42 | 2,493.00 |
| FGF-MB-49 | Maize Blade complete to suit Taurus-49 | 2,770.00 |
| FGF-MB-55 | Maize Blade complete to suit Taurus-55 | 3,047.00 |
| FGF-FBMB-36 | Full Bottom Maize Blade to suit Taurus-36 | 4,388.00 |
| FGF-FBMB-42 | Full Bottom Maize Blade to suit Taurus-42 | 4,953.00 |
| FGF-FBMB-49 | Full Bottom Maize Blade to suit Taurus-49 | 5,485.00 |
| FGF-FBMB-55 | Full Bottom Maize Blade to suit Taurus-55 | 6,050.00 |
| FGF KILESKIFT | Extra for Kileskift Hitch (custom hitches priced accordingly) | 1,939.00 |
| FGF FLK | Work lighting kit (2 LED work lights) | 1,086.00 |
| FGF TG | Transport Tine Guard | 1,374.00 |
| FGF FDV | Flow Divider Valve (for even oil flow to each side of fork) | 310.00 |
| COLOUR | Colour options (any off standard colour) | 288.00 |
| HX TIP XL | Replacement Hardox wear tips for tines (each) | 55.00 |

Price includes Euro 50 brackets, double side tines & hydraulic check valve

PRICED IN CANADIAN DOLLARS

PRICES ARE FOB HARRISTON, ON – DESIGN & PRICE ARE SUBJECT TO CHANGE WITHOUT NOTICE

5808 Hwy #9, Harriston, Ontario, N0G 1Z0
Phone: 519-338-2923, Fax: 519-338-2756
Email: sales@harcoag.ca
www.harcoag.ca



*PRO SLICE BRACKET PRICE INCREASE
APRIL 1/25

GRASS HANDLING RANGE

| Product Code # | Description | Size | List Price [CDN] |
|-------------------------------------|---|------|------------------|
| PUSH OFF FOLDING GRASS FORKS | | | |
| POFGF 4200 | Push Off Folding Grass Fork | 4.2m | \$38,777.00 |
| POFGF 4900 | Push Off Folding Grass Fork | 4.9m | 44,317.00 |
| POFGF TG | Transport Tine Guard | | 1,374.00 |
| POGF BB | Bolt on hitch (3pt linkage or industrial loader bracket) | | 1,030.00 |
| POGF KILESKIFT | Extra for Kileskift Hitch (custom hitches priced accordingly) | | 2,360.00 |
| COLOUR | Colour options (any off standard colour) | | 288.00 |
| HX TIP XL | Replacement hardox wear tips for tines (each) | | 55.00 |

| Product Code # | Description | Size | List Price [CDN] |
|----------------------------------|--|------|------------------|
| GRASS FORKS – TELEHANDLER | | | |
| GF 2200 | Grass Forks – Tele-Handler | 2.2m | \$5,537.00 |
| GF 2500 | Grass Forks – Tele-Handler | 2.5m | 5,980.00 |
| GF 2700 | Grass Forks – Tele-Handler | 2.7m | 6,424.00 |
| GF 3000 | Grass Forks – Tele-Handler | 3.0m | 6,867.00 |
| TBB 100 | Tractor bolts on brackets | | *571.00 |
| IDBB 100 | Industrial bolt on brackets | | *799.00 |
| HX TIP | Replacement weld on hardox wear tips for tines | | 39.00 |

| GRASS FORKS - CONTRACTOR | | | |
|---------------------------------|--|-------|------------|
| CF 2500 | Grass Forks – Contractor | 2.5m | \$9,748.00 |
| CF 2750 | Grass Forks - Contractor | 2.75m | 10,412.00 |
| CF 3000 | Grass Forks - Contractor | 3.0m | 11,299.00 |
| CF 3300 | Grass Forks - Contractor | 3.3m | 11,964.00 |
| CF 3600 | Grass Forks - Contractor | 3.6m | 12,628.00 |
| FGF DST | Double side tines | | 632.00 |
| FGF ZUC | Bolt in centre section for Z-linkage | | 233.00 |
| FGF TG | Transport tine guard | | 1,252.00 |
| COLOUR | Colour options (any off standard colour) | | 299.00 |
| HX TIP XL | Replacement weld on hardox wear tips for tines (Price includes weld on brackets, bolt on also available.) | | 55.00 |



| Product Code # | Description | Size | List Price [CDN] |
|-------------------------|---------------------------------|------|------------------|
| SILAGE COMPACTOR | | | |
| SC-2500 | Silage Compactor Sliding | 2.5m | \$26,589.00 |
| SC-3000 | Silage Compactor Sliding | 3.0m | 31,021.00 |
| SC-F-2500 | Silage Compactor Fixed | 2.5m | 22,157.00 |
| SC-F-3000 | Silage Compactor Fixed | 3.0m | 23,708.00 |
| SC-ARM | Silage Compactor Bolt on Arm | | 11,077.00 |



PRICED IN CANADIAN DOLLARS

PRICES ARE FOB HARRISTON, ON – DESIGN & PRICE ARE SUBJECT TO CHANGE WITHOUT NOTICE



*PRO SLICE BRACKET PRICE INCREASE
 APRIL 1/25

GRAIN INDUSTRIAL HANDLING RANGE

ProDig Attachments

| Product Code # | Description | Size | List Price [CDN] |
|----------------------|----------------------|-------|------------------|
| HI-TIP BUCKET | | | |
| HTB 2.2* | Hi Tip Bucket | 2.5m | \$15,509.00 |
| HTB 3.2* | Hi Tip Bucket | 2.75m | 16,108.00 |
| HTB 3.5* | Hi Tip Bucket | 3.0m | 16,329.00 |
| HTB 3.25* | Hi Tip Bucket | 2.5m | 16,218.00 |
| HTB 3.65* | Hi Tip Bucket | 2.75m | 16,462.00 |
| HTB 4.0* | Hi Tip Bucket | 3.0m | 16,617.00 |
| HTB 4.3* | Hi Tip Bucket | 3.2m | 16,839.00 |
| HTB 4.15 | Hi Tip Bucket | 2.5m | 16,839.00 |
| HTB 4.6 | Hi Tip Bucket | 2.75m | 17,504.00 |
| HTB 5.0 | Hi Tip Bucket | 3.0m | 17,725.00 |
| HTB 5.4 | Hi Tip Bucket | 3.2m | 18,168.00 |
| HTB 5.1 | Hi Tip Bucket | 2.5m | 17,903.00 |
| HTB 5.5 | Hi Tip Bucket | 2.75m | 18,346.00 |
| HTB 6.0 | Hi Tip Bucket | 3.0m | 18,745.00 |
| HTB 6.45 | Hi Tip Bucket | 3.2m | 18,944.00 |
| HTB 6.15 | Hi Tip Bucket | 2.5m | 19,055.00 |
| HTB 6.8 | Hi Tip Bucket | 2.75m | 20,207.00 |
| HTB 7.4 | Hi Tip Bucket | 3.0m | 20,384.00 |
| HTB 8.0 | Hi Tip Bucket | 3.2m | 20,607.00 |

*Requires bolt on bracket



| Product Code # | Description | Size | List Price [CDN] |
|--|---|----------|------------------|
| HTBB 100* | Industrial bolt on bracket * | | 1,042.00 |
| BOCE 3P 200x25 | Bolt on cutting edge (per metre) | 200x25mm | 554.00 |
| BOCE 3P 250x30 | Bolt on cutting edge (per metre) | 250x30mm | 809.00 |
| WOCE 200x25 | Weld on edge, welded to main cutting edge (per metre) | 200x25mm | 465.00 |
| HTB ZUCF | Z linkage cut out (bolt in flat plate section) | | 554.00 |
| HTB ZUCW | Z linkage cut out (bolt in z-linkage well) | | 864.00 |
| HTB-SF-300 | HTB 300mm spill frame (3 part for flat plate section) | | 1,263.00 |
| HTB-SF-300-U | HTB 300mm spill frame (3 part for Z-linkage well) | | 1,562.00 |
| COLOUR | Colour options (any off standard colour) | | 321.00 |
| KILESKIFT | Extra over for Kileskift hitch | | 1,130.00 |
| <i>(Price includes weld on brackets)</i> | | | |



PRICED IN CANADIAN DOLLARS

PRICES ARE FOB HARRISTON, ON – DESIGN & PRICE ARE SUBJECT TO CHANGE WITHOUT NOTICE



*PRO SLICE BRACKET PRICE INCREASE
 APRIL 1/25

GRAIN INDUSTRIAL HANDLING RANGE

ProDig Attachments

| MINI HI-TIP BUCKET | | | |
|--------------------|--|------|------------|
| HTBSS 1500 | Mini Hi Tip Bucket | 1.5m | \$8,573.00 |
| HTBSS 1800 | Mini Hi Tip Bucket | 1.8m | 8,861.00 |
| HTBSS 2000 | Mini Hi Tip Bucket | 2.0m | 8,994.00 |
| HTBSS 1500-H | Mini High Capacity Hi Tip Bucket | 1.5m | 8,861.00 |
| HTBSS 1800-H | Mini High Capacity Hi Tip Bucket | 1.8m | 8,861.00 |
| HTBSS 2000-H | Mini High Capacity Hi Tip Bucket <i>(Price does not include brackets)</i> | 2.0m | 9,260.00 |



| Product Code # | Description | Size | List Price [CDN] |
|----------------|--|----------|------------------|
| GRAIN BUCKET | | | |
| GB 1.9 | Grain Bucket | 2.28m | \$5,936.00 |
| GB 2.1 | Grain Bucket | 2.5m | 6,424.00 |
| GB 2.3 | Grain Bucket | 2.75m | 6,756.00 |
| GB 2.5 | Grain Bucket | 3.0m | 7,199.00 |
| GB 2.7 | Grain Bucket | 2.28m | 7,532.00 |
| GB 3.0 | Grain Bucket | 2.5m | 7,953.00 |
| GB 3.3 | Grain Bucket | 2.75m | 8,861.00 |
| GB 3.6 | Grain Bucket | 3.0m | 9,304.00 |
| GB 4.0 | Grain Bucket | 2.5m | 10,102.00 |
| GB 4.5 | Grain Bucket | 2.75m | 10,634.00 |
| GB 4.9 | Grain Bucket | 3.0m | 11,299.00 |
| BOCE 200x25 | Bolt on cutting edge (per metre) <i>(Price includes weld on brackets)</i> | 200x25mm | 554.00 |
| BOCE 250x30 | Bolt on cutting edge (per metre) <i>(Price includes weld on brackets)</i> | 250x30mm | 809.00 |



PRICED IN CANADIAN DOLLARS

PRICES ARE FOB HARRISTON, ON – DESIGN & PRICE ARE SUBJECT TO CHANGE WITHOUT NOTICE



GRAIN INDUSTRIAL HANDLING RANGE

ProDig Attachments

*PRO SLICE BRACKET PRICE INCREASE
 APRIL 1/25

| TRACTOR LOADER BUCKET | | | |
|-----------------------|--|----------|------------|
| GPT 1500 | Loader Bucket – Tractor | 1.5m | \$2,213.00 |
| GPT 1800 | Loader Bucket – Tractor | 1.8m | 2,324.00 |
| GPT 2100 | Loader Bucket – Tractor | 2.1m | 2,612.00 |
| GPT 2500 | Loader Bucket – Tractor | 2.5m | 2,967.00 |
| | | | |
| BOCE 200x25 | Bolt on cutting edge (per metre) <i>(Price includes weld on brackets)</i> | 200x25mm | 554.00 |
| | | | |
| | | | |



| TELEHANDLER LOADER BUCKET | | | |
|---------------------------|--|----------|------------|
| GP0.8 | Loader Bucket – Telehandler | 1.8m | \$3,321.00 |
| GP1.1 | Loader Bucket – Telehandler | 2.3m | 3,543.00 |
| GP1.5 | Loader Bucket – Telehandler | 2.5m | 4,341.00 |
| GP1.7 | Loader Bucket – Telehandler | 2.5m | 4,540.00 |
| GP-HD | Extra over for high volume sides | | 1,363.00 |
| BOCE 200x25 | Bolt on cutting edge (per metre) <i>(Price includes weld on brackets)</i> | 200x25mm | 554.00 |
| BOCE 250x30 | Bolt on cutting edge (per metre) | 250x30mm | 809.00 |
| | | | |



PRICED IN CANADIAN DOLLARS

PRICES ARE FOB HARRISTON, ON – DESIGN & PRICE ARE SUBJECT TO CHANGE WITHOUT NOTICE



*PRO SLICE BRACKET PRICE INCREASE
 APRIL 1/25

GRAIN INDUSTRIAL HANDLING RANGE

ProDig Attachments

COMMODITY BAG FILLERS (Grain, Fertilizer, Sand, Stone, Plastic Pellets)

| Product Code # | Description | Size | List Price [CDN] |
|---------------------------|--|----------|------------------|
| BAG FILLER BUCKETS | | | |
| BF3 600 | Bag Filler Bucket w/swinging door system | 0.6m3 | \$7,751.00 |
| BF3 1000 | Bag Filler Bucket w/swinging door system | 1.0m3 | 8,349.00 |
| BF3 1400 | Bag Filler Bucket w/swinging door system | 1.4m3 | 9,080.00 |
| BF3 2000 | Bag Filler Bucket w/swinging door system | 2.0m3 | 10,366.00 |
| IDBB 100 | Industrial bolt on brackets | | 799.00 |
| FBF WD | Weigh Load System w/Digital Display | | 3,656.00 |
| BOCE 200x25 | Bolt on cutting edge (per metre) <i>(Price does not include brackets)</i> | 200x25mm | 554.00 |



COMMODITY BAG FILLERS (Grain, Fertilizer, Sand, Stone, Plastic Pellets)

| FORK LIFT BAG FILLER BUCKETS | | | |
|-------------------------------------|--|--|-------------|
| FBF 600 | Fork Lift Bag Filler Bucket | | \$15,509.00 |
| FBF 1000 | Fork Lift Bag Filler Bucket | | 15,952.00 |
| FBF 1400 | Fork Lift Bag Filler Bucket | | 16,174.00 |
| FBF WD | Weigh load system with digital display | | 3,656.00 |
| | | | |



PRICED IN CANADIAN DOLLARS

PRICES ARE FOB HARRISTON, ON – DESIGN & PRICE ARE SUBJECT TO CHANGE WITHOUT NOTICE



*PRO SLICE BRACKET PRICE INCREASE
 APRIL 1/25

GRAIN INDUSTRIAL HANDLING RANGE

ProDig Attachments

| Product Code # | Description | Size | List Price [CDN] |
|--------------------|--|------|------------------|
| STONE FORKS | | | |
| SF 1800 | Stone Fork | 1.8m | \$5,759.00 |
| SF 2200 | Stone Fork | 2.2m | 6,645.00 |
| SF 2500 | Stone Fork | 2.5m | 7,532.00 |
| TBB 100 | Tractor bolt on brackets | | *571.00 |
| IDBB 100 | Industrial bolt on brackets | | *799.00 |
| TBB100-3PL-C2 | 3-point linkage/Euro 50 or Euro quicke combo <i>(price does not include brackets)</i> | | 1,718.00 |



| | | | |
|---------------------|--|------|------------|
| MANURE FORKS | | | |
| MF 1800 | Manure Fork | 1.8m | \$4,429.00 |
| MF 2200 | Manure Fork | 2.2m | 5,094.00 |
| MF 2500 | Manure Fork | 2.5m | 5,759.00 |
| TBB 100 | Tractor bolt on brackets | | *571.00 |
| IBDD 100 | Industrial bolt on brackets | | *799.00 |
| HX TIP | Replacement weld on hardox wear tips for tines <i>(Price does not include brackets)</i> | Each | 39.00 |



| | | | |
|---------------------|--|-----------|------------|
| PALLET FORKS | | | |
| PF 2000 | Pallet Forks | 2.5 tonne | \$1,992.00 |
| PF 3000 | Pallet Forks | 3 tonne | 2,346.00 |
| PF 4900 | Pallet Forks | 5 tonne | 3,764.00 |
| PF 7000 | Pallet Forks | 7 tonne | 6,645.00 |
| PF 10000 | Pallet Forks | 10 tonne | 10,634.00 |
| PFSF 2-4.9 | Bolt on spill frame (PF 2000 to PF4900) | | 765.00 |
| PFSF 7-10 | Bolt on spill frame (PF 7000 to PF10000) <i>(Price includes weld on brackets)</i> | | 920.00 |
| PF-LG | Bolt on log grab (class 2&3) | | 2,759.00 |
| PF-BS | Bolt on bale spike (class 2&3) | | 687.00 |

Price includes weld on brackets & forks



PRICED IN CANADIAN DOLLARS

PRICES ARE FOB HARRISTON, ON – DESIGN & PRICE ARE SUBJECT TO CHANGE WITHOUT NOTICE



*PRO SLICE BRACKET PRICE INCREASE
 APRIL 1/25

GRAIN INDUSTRIAL HANDLING RANGE

ProDig Attachments

| Product Code # | Description | Size | List Price [CDN] |
|-----------------------------------|--|----------|------------------|
| PRO SWEEP | | | |
| PS 2000 | Pro Sweep | 2.0m | \$2,878.00 |
| PS 2500 | Pro Sweep | 2.5m | 3,100.00 |
| PFS 1250 | Pro Sweep Pallet Fork Sleeves | 1250mm | 543.00 |
| PFS 800 | Pro Sweep Pallet Fork Sleeves | 800mm | 476.00 |
| PS COM | Pro Sweep Combination Hitch/3-pt Linkage & Pallet Forks | | 1,108.00 |
| PS DH | Pro Sweep Tractor/Industrial Loader Direct Hitch | | 609.00 |
| PS SWIVEL | Pro Sweep Swivel Head-price does not include brackets | | 842.00 |
| Pressure Relief Valve Kits | | | |
| 3/8 PRV KIT | 3/8" Pressure Relief Valve Kit | 3/8" | \$299.00 |
| 1/2" PRV KIT | 1/2" Pressure Relief Valve Kit | 1/2" | 355.00 |
| TBB 100 | Tractor bolt on brackets | | *571.00 |
| IDBB 100 | Industrial bolt on brackets | | *799.00 |
| IDBB Custom | Custom/non-std bolt on brackets, 3-pt linkage, Terex 860, Skid Steer, JCB 3CX etc. | | 1,030.00 |
| TB 100 | Tractor weld-on brackets | | 321.00 |
| IDB 100 | Industrial weld-on brackets | | 521.00 |
| HTBB 100 | Industrial weld-on brackets for hi-tip bucket | | 1,042.00 |
| BE 150x16 | Cutting Edge – per metre | 150 x 16 | 211.00 |
| BE 150x20 | Cutting Edge – per metre | 150 x 20 | 233.00 |
| BE 200x25 | Cutting Edge – per metre | 200 x 25 | 366.00 |
| BE 200x30 | Cutting Edge – per metre | 250 x 30 | 543.00 |
| Welded Brackets | | | |
| BOCE 200x25 | Bolt on cutting edge – per metre | 200 x 25 | \$554.00 |
| BOCE 250x30 | Bolt on cutting edge – per metre | 250 x 30 | 809.00 |
| WOCE 200x25 | Weld on cutting edge, welded to main edge - per metre | 200 x 25 | 465.00 |
| WOCE 250x30 | Weld on cutting edge, welded to main edge - per metre | 250 x 30 | 643.00 |



PRICED IN CANADIAN DOLLARS

PRICES ARE FOB HARRISTON, ON – DESIGN & PRICE ARE SUBJECT TO CHANGE WITHOUT NOTICE

TAB 1



5808 Hwy #9, Harriston, Ontario, N0G 1Z0
Phone: 519-338-2923, Fax: 519-338-2756
Email: sales@harcoag.ca
www.harcoag.ca

Date Change Only

Land Rollers

Single Section Rollers – Quarter Turn

Features Include:

- 42" diameter roller
- 5/8" nominal roller thickness for additional weight and for maximum durability
- Rugged construction weighs up to 450 lbs per foot without water for ballast
- 850 lb hitch weight

Standard Equipment:

- 2.5" removable roller shafts
- Highway speed rated 235x75R17.5 tires
- Transports under 9 feet
- 213 series bearings in ductile iron housings
- Clearance lights
- Acre metre

Optional Equipment:

- Levelling blade to smooth over animal mounds, irrigation tracks
- Water fill kit to add water ballast of additional 575 lbs per foot
- Valmar 4056 airseeding attachment – factory installed with step
- Tecknik Plus 12 volt air seeder attachment with rate controller

| Model # | Description | Price [CDN] |
|----------------|---|--------------------------|
| 800011 | Single Section Quarter Turn Land Roller , 14 foot | \$32,600.00 |
| 803335 | Ground Levelling Blade , 14 foot with hydraulic height | \$8,800.00 |
| 803310 | Scraper Kit, 14 foot – Bolt on | \$1,050.00 |
| Options | | |
| 803000 | Water Fill Kit – 3" & 2" Banjo Quick Couplers | \$1,600.00 |
| 803022 | Universal Seeder Mount Kit, Quarter Turn-No Seeder Quarter Turn Factory Set-Up | \$8,800.00 \$1,700.00 |

Disassembling Charge for Single Sections Rollers - \$450.00



PRICED IN CANADIAN DOLLARS

PRICES ARE FOB BENITO, MB – DESIGN & PRICE ARE SUBJECT TO CHANGE WITHOUT NOTICE



5808 Hwy #9, Harriston, Ontario, N0G 1Z0
Phone: 519-338-2923, Fax: 519-338-2756
Email: sales@harcoag.ca
www.harcoag.ca

Date Change Only

Land Rollers Continued...

Single Section Rollers – Straight Hitch

Features Include:

- 42" diameter roller
- 5/8" nominal roller thickness for additional weight and for maximum durability
- Rugged construction weighs up to 450 lbs per foot without water for ballast

Standard Equipment:

- 2.5" removable roller shafts
- Highway speed rated 235x70R16 tires
- Transports 1 foot wider than working width
- 213 series bearings in ductile iron housings
- Clearance lights
- Acre metre

Optional Equipment:

- Levelling blade to smooth over animal mounds, irrigation tracks
- Water fill kit to add water ballast of additional 575 lbs per foot
- Valmar 4056 airseeding attachment – factory installed with step
- Technik Plus 12 volt air seeder attachment with rate controller

| Model # | Description | Price [CDN] |
|---------|---|-------------|
| 800004 | Single Section Land Roller , 11.5 foot | \$20,400.00 |
| 805015 | Ground Levelling Blade , 11.5 foot with hydraulic height | \$7,500.00 |
| 800007 | Scraper Kit, 11.5 foot – Bolt on | \$950.00 |
| <hr/> | | |
| 800003 | Single Section Land Roller , 14 foot | \$23,500.00 |
| 803335 | Ground Levelling Blade , 14 foot with hydraulic height | \$8,800.00 |
| 804640 | Scraper Kit, 14 foot – Bolt on | \$1,050.00 |
| <hr/> | | |
| 800005 | Single Section Land Roller , 17 foot | \$24,500.00 |
| 805001 | Ground Levelling Blade , 17 foot with hydraulic height | \$9,500.00 |
| 804286 | Scraper Kit, 17 foot – Bolt on | \$1,150.00 |
| <hr/> | | |
| 800002 | Single Section Land Roller , 20 foot | \$27,600.00 |
| 805356 | Ground Levelling Blade , 20 foot with hydraulic height | \$10,600.00 |
| 804647 | Scraper Kit, 20 foot – Bolt on | \$1,250.00 |
| <hr/> | | |
| Options | | |
| 803000 | Water Fill Kit – 3" & 2" Banjo Quick Couplers | \$1,600.00 |
| <hr/> | | |
| | Single Section Factory Set-Up | \$1,400.00 |

Disassembling Charge for Single Sections Rollers - \$450.00



PRICED IN CANADIAN DOLLARS

PRICES ARE FOB BENITO, MB – DESIGN & PRICE ARE SUBJECT TO CHANGE WITHOUT NOTICE



5808 Hwy #9, Harriston, Ontario, N0G 1Z0
Phone: 519-338-2923, Fax: 519-338-2756
Email: sales@harcoag.ca
www.harcoag.ca

Date Change Only

Land Rollers Continued...

Three Section Rollers

Features Include:

- 42" diameter roller
- 5/8" nominal roller thickness for additional weight and for maximum durability
- Rugged construction weighs up to 450 lbs per foot without water for ballast

Standard Equipment:

- 2.5" removable roller shafts
- Highway speed rated 235x70R16 tires
- Patented diagonal brace arm
- Hydraulic floating hitch
- 213 series bearings in ductile iron housings
- Clearance lights
- Acre metre
- Hydraulic folding rear wheels

Optional Equipment:

- Levelling blade to smooth over animal mounds, irrigation tracks
- Water fill kit to add water ballast of additional 575 lbs per foot
- Valmar 4056 or 6056 airseeding attachment – factory installed with step

| Model # | Description | Price [CDN] |
|---------|---|-------------|
| 800020 | 3 Section Land Roller , 31 foot | \$63,050.00 |
| 805007 | Ground Levelling Blade , 31 foot with hydraulic height | \$21,800.00 |
| 802446 | Scraper Kit, 31 foot – Bolt on | \$2,500.00 |
| | | |
| 800009 | 3 Section Land Roller , 36 foot | \$66,500.00 |
| 805010 | Ground Levelling Blade , 36 foot with hydraulic height | \$23,000.00 |
| 802447 | Scraper Kit, 36 foot – Bolt on | \$2,800.00 |
| | | |
| 800010 | 3 Section Land Roller , 42 foot | \$68,800.00 |
| 805011 | Ground Levelling Blade , 42 foot with hydraulic height | \$24,900.00 |
| 802448 | Scraper Kit, 42 foot – Bolt on | \$3,100.00 |
| | | |
| 800018 | 3 Section Land Roller , 46 foot | \$73,200.00 |
| 805006 | Ground Levelling Blade , 46 foot with hydraulic height | \$26,150.00 |
| 802449 | Scraper Kit, 46 foot – Bolt on | \$3,450.00 |
| | | |
| 800017 | 3 Section Land Roller , 52 foot | \$81,800.00 |
| 805012 | Ground Levelling Blade , 52 foot with hydraulic height | \$27,600.00 |
| 802450 | Scraper Kit, 52 foot – Bolt on | \$3,760.00 |
| | | |
| Options | | |
| 803040 | Water Fill Kit – 3" & 2" Banjo Quick Couplers | \$5,400.00 |
| 803024 | Universal Seeder Mount Kit, 3 Section – No Seeder | \$10,150.00 |
| | | |
| | 3-Section Factory Set-Up | \$2,300.00 |

Disassembling Charge for Single Sections Rollers - \$450.00



PRICED IN CANADIAN DOLLARS

PRICES ARE FOB BENITO, MB – DESIGN & PRICE ARE SUBJECT TO CHANGE WITHOUT NOTICE



5808 Hwy #9, Harriston, Ontario, N0G 1Z0
Phone: 519-338-2923, Fax: 519-338-2756
Email: sales@harcoag.ca
www.harcoag.ca

Date Change Only

Land Rollers Continued...

Three Section Rollers – Extreme Duty

Features Include:

- 42" diameter roller
- 21mm (almost 7/8") nominal roller thickness for additional weight and for maximum durability
- Rugged construction weighs up to 570 lbs per foot without water for ballast

Standard Equipment:

- 2 15/16" removable roller shafts
- Highway speed rated 235x70R16 tires
- Patented diagonal brace arm
- Hydraulic floating hitch
- Double Row Spherical Bearings
- Clearance lights
- Acre metre
- Hydraulic folding rear wheels

Optional Equipment:

- Water fill kit to add water ballast of additional 575 lbs per foot

| Model # | Description | Price [CDN] |
|--|--|-------------|
| 875046 | 3 Section Land Roller , 46 foot | \$83,400.00 |
| 875052 | 3 Section Land Roller , 52 foot | \$91,800.00 |
| | | |
| | 3 Section Factory Setup | \$2,650.00 |
| | | |
| Please contact for current freight quote | | |
| | | |



Disassembling Charge for Single Sections Rollers - \$450.00

PRICED IN CANADIAN DOLLARS

PRICES ARE FOB BENITO, MB – DESIGN & PRICE ARE SUBJECT TO CHANGE WITHOUT NOTICE



Date Change Only

Land Rollers Continued...

Five Section Rollers

Features Include:

- 42" diameter roller
- 5/8" nominal roller thickness for additional weight and for maximum durability
- Rugged construction weighs up to 450 lbs per foot without water for ballast

Standard Equipment:

- 2.5" removable roller shafts
- Highway speed rated 235x70R16 tires
- Patented diagonal brace arm
- Hydraulic floating hitch
- 213 series bearings in ductile iron housings
- Clearance lights
- Acre metre
- Hydraulic folding wheels

| Model # | Description | Price [CDN] |
|---------|---|--------------|
| 800056 | 12-56-5, 5 Section Land Roller, 56 foot | \$105,900.00 |
| 800062 | 12-62-5, 5 Section Land Roller, 62 foot | \$109,900.00 |
| 800066 | 12-66-5, 5 Section Land Roller, 66 foot | \$114,900.00 |
| 800070 | 12-70-5, 5 Section Land Roller, 70 foot | \$120,900.00 |
| | 5 Section Factory Set Up | \$4,000.00 |



Disassembling Charge for Single Sections Rollers - \$450.00

PRICED IN CANADIAN DOLLARS

PRICES ARE FOB BENITO, MB – DESIGN & PRICE ARE SUBJECT TO CHANGE WITHOUT NOTICE

5808 Hwy #9, Harriston, Ontario, N0G 1Z0
Phone: 519-338-2923, Fax: 519-338-2756
Email: sales@harcoag.ca
www.harcoag.ca







New vertical tillage concept by HCC Inc. features patented self sharpening tines in a three tine configuration followed by adjustable rolling harrows.

Unit can be purchased less the rolling harrows. Machines with harrows can be operated with harrows lifted or with varying rates of penetration and different angles allowing for varying finish results.

Extremely heavy frame and tongue provide excellent downward pressure. At the same time the rolling aerator tines are protected from impact by 'C' shanks.

Dual wheels are standard on all machines.

| SMART-TILL | | | | |
|-------------------|------------------------------|---------------------|---|-------------------|
| Model | Width | Weight (lbs) | Set Up | MSRP [USD] |
| SMT 101 | 10 Feet Less Rolling Harrows | 3,350 | \$200.00 | \$31,540.00 |
| SMT 101 | 10 Feet With Rolling Harrows | 5,250 | \$350.00 | \$39,710.00 |
| SMT 151 | 15 Feet Less Rolling Harrows | 5,000 | \$350.00 | \$44,410.00 |
| SMT 151 | 15 Feet With Rolling Harrows | 7,850 | \$400.00 | \$57,335.00 |
| SMT 203 | 20 Feet Less Rolling Harrows | 7,550 |  | \$61,905.00 |
| SMT 203 | 20 Feet With Rolling Harrows | 11,500 |  | \$85,465.00 |
| SMT 303 | 30 Feet Less Rolling Harrows | 10,500 |  | \$97,425.00 |
| SMT 303 | 30 Feet With Rolling Harrows | 16,500 |  | \$120,345.00 |

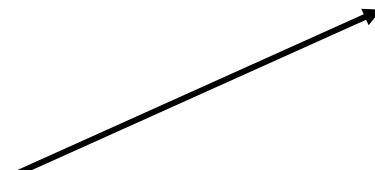
PRICED IN USD - ITEMS MAY BE SUBJECT TO A POTENTIAL TARIFF CHARGE
FOB FACTORY – PRICES SUBJECT TO CHANGE WITHOUT NOTICE

5808 Hwy #9, Harriston, Ontario, N0G 1Z0
Phone: 519-338-2923, Fax: 519-338-2756
Email: sales@harcoag.ca
www.harcoag.ca



Rotary Harrows Modules

| Part # | Description | MSRP [USD] |
|--------|-----------------------|------------|
| 853044 | Harrow Module – 3' | \$2,435.00 |
| 853066 | Harrow Module – 5' 7" | \$2,985.00 |
| 853033 | Harrow Module – 6' | \$3,115.00 |
| 853109 | Harrow Module – 9' | \$4,080.00 |



Harrow Hangers

| Part # | Description | MSRP [USD] |
|---------|-----------------------------|------------|
| 853129* | 3' Harrow Hanger | \$555.00 |
| 853103* | 5' 7", 6', 9' Harrow Hanger | \$660.00 |

Harrows smooth, level & loosen soil – Ideal for seed bed preparation. Harrows can be varied up to 30° at either standard or aggressive angles. Tine material is wear resistant 4140 steel.

*Includes hanger, bushing & decal.

PRICED IN USD - ITEMS MAY BE SUBJECT TO A POTENTIAL TARIFF CHARGE
FOB FACTORY – PRICES SUBJECT TO CHANGE WITHOUT NOTICE

ITEMS MAY BE SUBJECT TO A POTENTIAL TARIFF CHARGE

SCHMEISER®

WHOLEGOODS PRICE CATALOG



SELMA, CA



1-800 288-8128 Order Desk

559-268-3279 Fax
orders@tgschmeiser.com

www.tgschmeiser.com

JANUARY 2026

Version 17.0

SWGPC260115

T. G. SCHMEISER CO., INC.**TERMS & CONDITIONS OF SALE**

Minimum Order: \$50.00 Net

Freight: F.O.B. Factory

Prices: Subject to change without notice. All shipments will be at prevailing prices on the date of order.

Ordering Policy:

- 1 **Wholegoods** - All wholegood orders will be confirmed back to customer by order acknowledgement via fax or email. All orders will be built according to the written order acknowledgement. If the order acknowledgement is incorrect, call immediately to correct the order. If, after ordering, you have not received an acknowledgement, your order may not have been booked. Please call our office to confirm your order.
- 2 **Parts** - Most parts ship out the same day if orders are placed by 2:00 p.m. All parts will be shipped out via UPS (prepaid and add) or truckline (freight collect) unless otherwise noted. No order acknowledgement will be sent unless requested. If account is not current, then the order will be shipped C.O.D.

Order Changes: Wholegood orders changed or modified after production has begun may incur a change charge.

Knocked Down or Assembled: Our products are shipped "knocked down". This simply means that our wholegood products are disassembled enough to safely fit on a truck (flatbed). The pricelist will indicate assembly charges for each product line. If you wish to have your order completely assembled, a net charge will apply.

Return Policy: No product or part may be returned for credit unless written authorization by T.G. Schmeiser Co., Inc. has been given in advance. All returned items must have an RMA (Return Material Authorization) number clearly written on the packing list and on the exterior of package. If an item does not have an RMA number, shipment will not be accepted and credit will not be given. All returned items must be shipped prepaid.

- 1 **Wholegoods** - Wholegood items that are standard built may be returned for credit with advanced written authorization. Items shall be new and in unused condition.
Many wholegoods are custom built or special order items.
These are either non-returnable or subject to a re-stocking charge, depending on how specialized the order.
- 2 **Parts** - All parts that have been ordered within the last 12 months (and are listed in the current parts price list) may be returned for credit. Parts shall be new and in unused condition. Items that are obsolete or superseded may be returned, only if listed on current parts pricelist.

Past Due Accounts: Accounts past due will be placed on C.O.D. or hold until brought current or satisfactory arrangements are made for payment. Interest of 1-1/2% per month (annual rate 18%), or such other rate allowed by state law, can be charged on past due accounts.

Damages or Shortages in Shipping: We make every effort to see that equipment and/or parts are loaded on the carrier's vehicle properly, however the ultimate responsibility of securing load and transportation is that of the carrier. T.G. Schmeiser Co. is not liable for damage or loss of merchandise once it has left our yard. Dealer is solely responsible for filing claims against the carrier for any loss or damage. Schmeiser will help you in securing an adjustment for the loss or damage, providing you have filed a claim with the carrier. Claims for shortages in shipments or concealed damage must be made within 10 days of receipt of goods.

Warranty: All Wholegood items are subject to the Schmeiser 12 month **Limited Written Warranty**. Warranty cards must be submitted within 30 days of sale to retail customer to be eligible. All warranty work must be pre-approved. Schmeiser/Dealer warranty policy is available by calling the factory.

T.G. Schmeiser reserves the right to make improvements in the design and changes in specifications at any time without incurring any obligation to install them on units previously sold.

SCHMEISER® PRICE LIST

CONTENTS

| | | | |
|---|-------------------------------------|--------------|----------------|
| TERMS AND CONDITIONS | | Page | 2 |
| TILL AN' PAK™ | Till an' Pak | Pages | 4 - 8 |
| | Smooth an' Roll | | |
| | Float | | |
| | Squadron Arms | | |
| | 3pt. Hitches | | |
| | TPP 3510 Wheel Kit | | |
| | TPP 3520 Wheel Kit | | |
| | TPP 3530 Wheel Kit | | |
| | TPP 3540 Wheel Kit | | |
| | TPP 3550 Wheel Kit | | |
| | Folding Till an' Paks | | |
| AERATION & SOIL MGT. | Smart-Till® | Pages | 9 - 10 |
| | Smart-Till® ORCHARD MAX | | |
| TILL AN' BEDDER™ | 4 Bar Till an' Bedder | Pages | 11 - 12 |
| | 4 Bar Folding Till an Bedder | | |
| LEVELERS | Drag Scraper | | 13 - 20 |
| | Speed Leveler | | |
| | V-Blade | | |
| | Bantam Leveler | | |
| | Model 77 Leveler | | |
| | Varitrak 3pt. Land Leveler | | |
| | Grader Blade | | |
| | Tri-Plane Land Leveler | | |
| | Folding Tri-Plane Land Leveler | | |
| | Precision Finishing Scraper | | |
| RIPPERS | Finishing Ripper Chisel | Pages | 21 - 28 |
| | S-Series | | |
| | C-Series | | |
| | P-Series | | |
| | Crumbler | | |
| | Down Pressure Roller | | |
| | V-Series | | |
| | Mid-Row Ripper | | |
| 3PT. CULTI-PLOW™ (Chisel Plow) | 2 Bar | Page | 29 |
| | 3 Bar | | |
| DISC - TANDEM | ORCHARD DISC | Pages | 30 - 35 |
| | TSN - 3pt. | | |
| | RTM - 3pt. | | |
| | RTH - 3pt. | | |
| | PTM - Pull Type | | |
| | PTH - Pull Type | | |
| DRILLS - COVER CROP | Double Disc Model | Page | 36 |
| | No-Till Drill | | |
| HARVEST BIN TRAILERS | | Page | 37 |
| CONTACT INFORMATION | | Page | 40 |

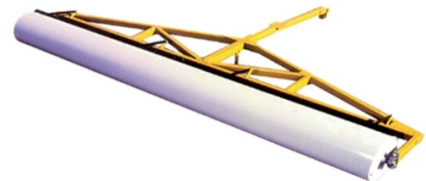
MODEL 77 TILL AN' PAK™ PRICE LIST



TILL AN' PAK™

Assembly charge - n/c Assembled - except tongue

| | | | ← 3 X 52" ← | | | | | ← 3 X 72" ← | | | | ← 3 X 84" ← | | | |
|------|-------|-------|-------------|----------|----------|----------|----------|-------------|----------|----------|----------|-------------|----------|--|--|
| TUBE | RING | WT/FT | 2 FT | 3 FT | 4 FT | 5 FT | 6 FT | 7 FT | 8 FT | 9 FT | 10 FT | 11 FT | 12 FT | | |
| 8 | 10/14 | 114 | \$ 2,620 | \$ 2,950 | \$ 3,270 | \$ 3,605 | \$ 4,055 | \$ 4,390 | \$ 4,720 | \$ 5,015 | \$ 5,640 | \$ 5,975 | \$ 6,305 | | |
| 8 | 12/16 | 137 | 3,030 | 3,375 | 3,700 | 4,015 | 4,510 | 4,830 | 5,165 | 5,475 | 6,110 | 6,460 | 6,760 | | |
| 8 | 13/17 | 150 | 3,005 | 3,320 | 3,645 | 3,970 | 4,430 | 4,765 | 5,085 | 5,400 | 6,025 | 6,340 | 6,660 | | |
| 8 | 14/20 | 212 | 3,215 | 3,340 | 4,175 | 4,660 | 5,270 | 5,765 | 6,250 | 6,730 | 7,445 | 8,005 | 8,415 | | |
| 8 | 16/22 | 221 | 3,380 | 3,955 | 4,550 | 5,125 | 5,840 | 6,420 | 7,020 | 7,590 | 8,495 | 9,085 | 9,660 | | |
| 10 | 12/16 | 143 | 3,095 | 3,435 | 3,785 | 4,130 | 4,605 | 4,950 | 5,295 | 5,640 | 6,275 | 6,770 | 6,960 | | |
| 10 | 13/17 | 157 | 3,060 | 3,390 | 3,725 | 4,065 | 4,550 | 4,870 | 5,215 | 5,555 | 6,180 | 6,520 | 6,850 | | |
| 10 | 14/20 | 219 | 3,240 | 3,750 | 4,250 | 4,750 | 5,380 | 5,875 | 6,375 | 6,880 | 7,675 | 8,180 | 8,660 | | |
| 10 | 16/22 | 228 | 3,430 | 4,010 | 4,630 | 5,165 | 5,920 | 6,495 | 7,080 | 7,690 | 8,560 | 9,230 | 9,765 | | |
| 12 | 14/20 | 224 | 3,275 | 3,795 | 4,310 | 4,810 | 5,460 | 5,970 | 6,485 | 6,980 | 7,865 | 8,325 | 8,850 | | |
| 12 | 16/22 | 233 | 3,470 | 4,075 | 4,685 | 5,235 | 6,040 | 6,615 | 7,230 | 7,840 | 8,710 | 9,395 | 9,920 | | |
| 14 | 16/22 | 236 | 3,555 | 4,180 | 4,805 | 5,350 | 6,165 | 6,770 | 7,390 | 8,010 | 8,880 | 9,575 | 10,085 | | |



SMOOTH AN' ROLL™

Assembly charge - n/c Assembled - except tongue

| | | | | | | | | | | | | | |
|-------------|-----|-----|------------------|----------|----------|----------|----------|----------|----------|----------|----------|----------|----------|
| | 20" | 114 | \$ 2,305 | \$ 2,485 | \$ 2,660 | \$ 2,970 | \$ 3,280 | \$ 3,465 | \$ 3,715 | \$ 3,840 | \$ 4,135 | \$ 4,415 | \$ 4,595 |
| | 24" | 135 | 2,535 | 2,765 | 2,970 | 3,350 | 3,700 | 3,920 | 4,155 | 4,435 | 4,820 | 5,050 | 5,280 |
| | 30" | 166 | 3,005 | 3,425 | 3,825 | 4,435 | 4,990 | 5,405 | 5,820 | 6,255 | 6,875 | 7,300 | 7,730 |
| | 36" | 182 | CALL FOR PRICING | | | | | | | | | | |
| Mud Scraper | 5 | 115 | 130 | 135 | 145 | 165 | 170 | 180 | 215 | 220 | 230 | 245 | |

(Call For Availability)



FLOAT

Assembly charge - n/c Minimal assembly required

| | | | | | | | | | | | | |
|--|----|-------|-------|-------|-------|-------|-------|-------|-------|-------|-------|-------|
| | 24 | 1,155 | 1,215 | 1,275 | 1,330 | 1,410 | 1,465 | 1,510 | 1,620 | 1,665 | 1,715 | 1,825 |
|--|----|-------|-------|-------|-------|-------|-------|-------|-------|-------|-------|-------|



SQUADRON ARMS (PAIR)

Assembly charge - n/c Minimal assembly required

| Size | 12" | 18" | 24" | 30" | 36" | 42" | 48" | 54" | 60" | 66" | 72" |
|----------------------|-------|-------|-------|-------|-------|-------|-------|-------|-------|-------|-------|
| T-P Trail Unit Width | 2 FT | 3 FT | 4 FT | 5 FT | 6 FT | 7 FT | 8 FT | 9 FT | 10 FT | 11 FT | 12 FT |
| Price | 1,380 | 1,415 | 1,545 | 1,575 | 1,610 | 1,630 | 1,755 | 1,780 | 1,815 | 1,885 | 1,930 |
| Weight | 103 | 109 | 115 | 121 | 151 | 160 | 169 | 178 | 187 | 196 | 205 |

MODEL 77 TILL AN' PAK™ PRICE LIST



TILL AN' PAK™

Assembly charge - n/c Assembled - except tongue

| | | | ← 3-1/2 X 84" → | | | | | ← 3-1/2 X 100" → | | | | | | |
|------|-------|-------|-----------------|----------|----------|----------|----------|------------------|----------|----------|-----------|-----------|-----------|-----------|
| TUBE | RING | WT/FT | 13 FT | 14 FT | 15 FT | 16 FT | 17 FT | 18 FT | 19 FT | 20 FT | 21 FT | 22 FT | 23 FT | 24 FT |
| 8 | 10/14 | 114 | \$ 6,430 | \$ 7,155 | \$ 7,575 | \$ 8,045 | \$ 8,375 | \$ 8,455 | \$ 9,385 | \$ 9,890 | \$ 10,610 | \$ 10,810 | \$ 11,340 | \$ 11,680 |
| 8 | 12/16 | 137 | 6,455 | 7,195 | 7,590 | 8,180 | 8,495 | 8,535 | 9,485 | 10,000 | 10,700 | 10,985 | 11,375 | 11,725 |
| 8 | 13/17 | 150 | 6,675 | 7,450 | 7,860 | 8,415 | 8,670 | 8,725 | 9,710 | 10,205 | 11,000 | 11,320 | 11,710 | 12,040 |
| 8 | 14/20 | 212 | 8,715 | 9,620 | 10,190 | 10,855 | 11,395 | 11,800 | 12,660 | 13,350 | 14,280 | 14,770 | 15,310 | 15,795 |
| 8 | 16/22 | 221 | 9,965 | 10,960 | 11,615 | 12,345 | 12,950 | 13,510 | 14,465 | 15,270 | 16,275 | 16,860 | 17,495 | 18,080 |
| 10 | 12/16 | 143 | 7,155 | 7,300 | 7,695 | 8,185 | 8,495 | 8,810 | 9,520 | 10,010 | 10,785 | 11,095 | 11,475 | 11,800 |
| 10 | 13/17 | 157 | 7,510 | 7,655 | 8,080 | 8,490 | 8,665 | 9,250 | 9,995 | 10,495 | 11,305 | 11,645 | 11,890 | 12,390 |
| 10 | 14/20 | 219 | 8,915 | 9,835 | 10,145 | 11,075 | 11,230 | 12,065 | 12,945 | 13,645 | 14,185 | 15,070 | 15,645 | 16,140 |
| 10 | 16/22 | 228 | 10,155 | 11,160 | 11,820 | 12,585 | 12,785 | 13,765 | 15,150 | 15,540 | 16,565 | 17,155 | 17,815 | 18,405 |
| 12 | 14/20 | 224 | 9,085 | 10,015 | 10,610 | 11,290 | 11,450 | 12,295 | 13,190 | 13,900 | 14,845 | 15,365 | 15,945 | 16,455 |
| 12 | 16/22 | 233 | 10,340 | 11,365 | 12,045 | 12,810 | 13,025 | 14,025 | 15,000 | 15,825 | 16,860 | 17,300 | 18,135 | 18,735 |
| 14 | 16/22 | 236 | 10,550 | 11,585 | 12,145 | 13,450 | 13,275 | 14,290 | 15,280 | 16,110 | 17,160 | 17,700 | 18,460 | 19,085 |

| | |
|---|-------|
| ** 2-3/16" Pillow Block Bearing Upgrade | \$390 |
| TPP3700 - Bolt on Jack Stand | \$195 |



SMOOTH AN' ROLL™

Assembly charge - n/c Assembled - except tongue

| | | | | | | | | | | | | | | |
|-------------|-----|-----|------------------|----------|----------|----------|----------|----------|----------|----------|----------|----------|----------|----------|
| | 20" | 114 | \$ 4,595 | \$ 5,160 | \$ 5,425 | \$ 5,760 | \$ 5,935 | \$ 5,970 | \$ 6,645 | \$ 6,955 | \$ 7,540 | \$ 7,720 | \$ 7,955 | \$ 8,160 |
| | 24" | 135 | 5,295 | 5,910 | 6,205 | 6,525 | 6,690 | 6,975 | 7,555 | 7,905 | 8,515 | 8,750 | 9,045 | 9,130 |
| | 30" | 166 | 7,835 | 8,625 | 9,035 | 9,680 | 10,090 | 10,500 | 11,255 | 11,790 | 12,590 | 13,005 | 13,490 | 13,905 |
| | 36" | 182 | CALL FOR PRICING | | | | | | | | | | | |
| Mud Scraper | 5 | 275 | 285 | 295 | 310 | 320 | 345 | 350 | 360 | 375 | 390 | 400 | 405 | |

(Call For Availability)



FLOAT

Assembly charge - n/c Minimal assembly required

| | | | | | | | | | | | | | | |
|--|----|-------|-------|-------|-------|-----|-----|-----|-----|-----|-----|-----|-----|-----|
| | 24 | 1,900 | 1,965 | 2,020 | 2,080 | n/a | n/a | n/a | n/a | n/a | n/a | n/a | n/a | n/a |
|--|----|-------|-------|-------|-------|-----|-----|-----|-----|-----|-----|-----|-----|-----|

FOLDING TILL AN' PAK - See Page #8



1 800 288-8128 Order Desk

TILL AN' PAK WHEEL KIT PRICE LIST

TPP 3510, TPP 3520 and TPP 3530

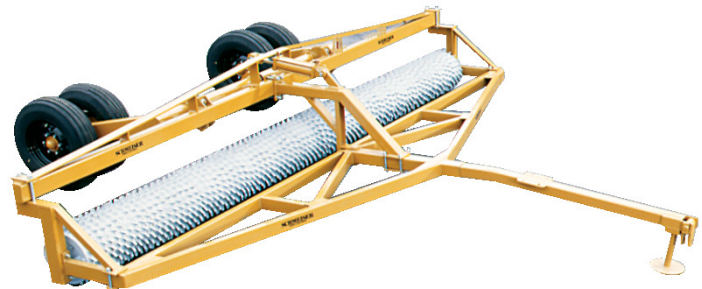


TPP 3520 (end mount)



TPP 3510 (vineyard model)

**Jack Stand and Safety Chain standard
Light kit included on units 12' and
wider**



TPP 3530 Model

HYDRAULIC WHEEL KITS & MISC. ATTACHMENTS

Assembly Charge: n/c

| PART NO. | DESCRIPTION | WT. | PRICE |
|--------------|---|---------|-------------|
| TPP 3501 | 3 Pt. Hitch Cat 1 & 2 (2 - 13 ft.) | 80 lbs. | \$ 1,125.00 |
| TPP 3502 | 3 Pt. Hitch Cat 2 & 3 (14 - 20 ft.) (Specify Width) | 105 | 1,530.00 |
| TPP 3503 | Implement Trail Hitch | 81 | 918.00 |
| TPP 3510 | *1Hydraulic Transport Kit up to 10 ft. (Less Tires & Lead Hoses) | 350 | 4,035.00 |
| TPP 3520 | ¹ Hydraulic Transport Kit (End Mount) up to 14 ft. (Less Tires & Lead Hoses) | 282 | 3,970.00 |
| TPP 3530-2 | Hydraulic Transport Kit (8 - 16 ft.) - 2 Wheels (Less Tires & Lead Hoses) | 875 | 6,125.00 |
| TPP 3530-4 | Hydraulic Transport Kit (14 - 24 ft.) - 4 Wheels (Less Tires & Lead Hoses) | 950 | 7,290.00 |
| 7.60x15 TIRE | 7.60 x 15 Rib Implement Tires (Mounted) - Each | 25 | 225.00 |

*Can not use 10" tube with 14/20 ring combination. ¹Up to 12" tube and 14/20 ring.

LEAD HOSES (with pioneer tips)

| PART NO. | DESCRIPTION | LENGTH | TPP 3510 | TPP 3520 | TPP 3530 | FOLDING T-F | WT. | PRICE |
|----------|-------------------|--------|----------|-----------|-----------|-------------|---------|-----------|
| LH-100 | Lead Hoses - pair | 100" | | 2' - 5' | | | 15 lbs. | \$ 175.00 |
| LH-112 | Lead Hoses - pair | 112" | 2' - 5' | 6' - 9' | | | 16 | 180.00 |
| LH-120 | Lead Hoses - pair | 120" | | 10' - 14' | | | 17 | 190.00 |
| LH-132 | Lead Hoses - pair | 132" | 6' - 9' | | 8' - 9' | | 18 | 205.00 |
| LH-144 | Lead Hoses - pair | 144" | 10' | | 10' - 18' | | 19 | 210.00 |
| LH-168 | Lead Hoses - pair | 168" | | | 19' - 24' | | 20 | 245.00 |
| LH-204 | Lead Hoses - pair | 204" | | | | | 25 | 295.00 |

TILL AN' PAK WHEEL KIT PRICE LIST

TPP 3540 and TPP 3550

Jack Stand and Safety Chain standard
Light kit included on units 12' and wider



TPP 3540 WHEEL KIT (ADJUSTABLE)

Assembly charge - n/c assembled except pull frame

| PART NO. | DESCRIPTION | WT. | PRICE |
|-----------------|---|------------|-------------|
| TPP 3540-2 | Adjustable Wheel Kit (8 - 16 ft.) - 2 Wheels (Less Tires & Lead Hoses) | 1,200 lbs. | \$ 6,515.00 |
| TPP 3540-4 | Adjustable Wheel Kit (14 - 20 ft.) - 4 Wheels (Less Tires & Lead Hoses) | 1,500 | 7,990.00 |
| TPP 3540-4HD | Adjustable Wheel Kit (18 - 24 ft.) - 4 Wheels Heavy Duty- For Lrg Rings | 1,800 | 9,065.00 |
| 7.60X15TIRE | 7.60 x 15 Rib Implement Tires (Mounted) - Each | 25 | 225.00 |
| TPP 3540-GN | 3540 Gooseneck Hitch - (1) Cylinder | | 2,480.00 |
| TPP 3540-GNHD | 3540 Gooseneck Hitch - Heavy Duty - (2) Cylinder | | 2,765.00 |
| TPP 3540-GNHDXL | 3540 Gooseneck Hitch - Heavy Duty - 2 Cylinder - X-Large | 2,680 | 3,770.00 |

TPP 3540 Adjustable Wheel Kit sold only with Till An' Pak.
 Add price of Wheel Kit to price of Till An' Pak for total unit price. See page #5 for Till an' Pak prices.



TPP 3550 WHEEL KIT (STRADDLE AXLE)

Assembly charge - n/c

Transport width - 5'-7"

| | 18 FT | 19 FT | 20 FT | 21 FT | 22 FT | 23 FT | 24 FT | 25 FT | 26 FT | 27 FT | 28 FT | 29 FT |
|--------------|----------|--------|--------|--------|--------|--------|--------|--------|--------|--------|--------|--------|
| Kit Price | \$11,955 | 12,025 | 12,080 | 12,155 | 12,210 | 12,290 | 12,345 | 12,415 | 12,480 | 12,550 | 12,605 | 12,690 |
| add'l weight | 1,650 | 1,685 | 1,720 | 1,755 | 1,790 | 1,825 | 1,860 | 1,895 | 1,930 | 1,965 | 2,000 | 2,035 |

Includes (2) tires & cylinder. Lead hoses not included.
 TPP 3550 Adjustable Wheel Kit sold only with Till An' Pak. All sizes use 2-3/16" flange bearings.
 Add price of Wheel Kit to price of Till An' Pak for total unit price. See page #5 for Till an' Pak prices.

LEAD HOSES (with pioneer tips)

| PART NO. | DESCRIPTION | LENGTH | TPP 3540 | TPP 3550 | FOLDING T-P | WT. | PRICE |
|----------|-------------------|--------|-----------|-----------|-------------|---------|-----------|
| LH-112 | Lead Hoses - pair | 112" | 8' - 9' | | | 16 lbs. | \$ 180.00 |
| LH-120 | Lead Hoses - pair | 120" | 10' - 18' | | | 17 | 190.00 |
| LH-132 | Lead Hoses - pair | 132" | 19' - 24' | | | 18 | 205.00 |
| LH-204 | Lead Hoses - pair | 204" | | | | 25 | 295.00 |
| LH-216 | Lead Hoses - pair | 216" | | 18' - 21' | ALL SIZES | 27 | 305.00 |
| LH-240 | Lead Hoses - pair | 240" | | 22' - 25' | | 30 | 330.00 |
| LH-260 | Lead Hoses - pair | 260" | | 26' - 28' | | 35 | 345.00 |
| LH-275 | Lead Hoses - pair | 275" | | 29' - 30' | | 40 | 420.00 |

MODEL 77 TILL AN' PAK PRICELIST

FOLDING MODEL

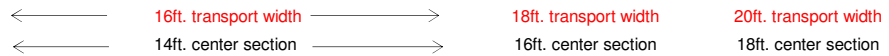


- 2-3/16" bearings & 6" overlap standard
- Call factory for narrower transport widths and Folding Smooth an' Roll

Assembly charge - \$ 250 net



| TUBE | RING | WT/FT | 20 FT | 21 FT | 22 FT | 23 FT | 24 FT | 25 FT | 26 FT | 27 FT | 28 FT |
|------|-------|-------|--------|--------|--------|--------|--------|--------|--------|--------|--------|
| 12 | 14/20 | 360 | 40,205 | 40,845 | 41,280 | 42,020 | 42,635 | 43,080 | 43,665 | 44,290 | 44,875 |
| 14 | 16/22 | 380 | 43,870 | 44,435 | 45,025 | 45,745 | 46,175 | 46,905 | 47,770 | 48,360 | 49,120 |



| TUBE | RING | WT/FT | - | 29 FT | 30 FT | 31 FT | 32 FT | 33 FT | 34 FT | 35 FT | 36 FT |
|------|-------|-------|---|--------|--------|--------|--------|--------|--------|--------|--------|
| 12 | 14/20 | 360 | - | 46,255 | 46,985 | 47,295 | 48,100 | 48,835 | 49,270 | 49,860 | 50,240 |
| 14 | 16/22 | 380 | - | 50,530 | 51,335 | 52,065 | 52,645 | 53,360 | 54,100 | 54,670 | 55,295 |

Includes transport & folding hydraulics; (4) tires, cylinders, valves and connecting hoses.
2-3/16" Bearings and 6" Overlap are now standard - Lead hoses not included.

Folding Till an' Pak Options

| PART NO. | DESCRIPTION | PRICE |
|------------|--|-------------|
| FTP-GN | FTP Gooseneck Hitch - (1) Cylinder | \$ 2,345.00 |
| FTP-GNHD | FTP Gooseneck Hitch - Heavy Duty - (2) Cylinders | 2,650.00 |
| FTP-GNHDXL | FTP Gooseneck Hitch - Heavy Duty - (2) Cylinders - X-Large | 3,405.00 |
| FTP-TWB | Tandem Walking Beams - Heavy Duty | 1,990.00 |
| LH-216 | Lead Hoses & Tips (pair) | 305.00 |
| LH-275 | Gooseneck Lead Hoses & Tips (pair) | 420.00 |

3 PT. FOLDING SMOOTH AN' ROLL



- Unit features 2-3/16" bearings & 6" overlap between wing and main frame rollers
- CAT 3 (QH) / CAT 4N (QH) / CAT 4 Compatible
- Flow divider for uniform wing movement
- Mud-Scrapers included

| MODEL | WIDTH | TUBE DIAMETER | WEIGHT | PRICE |
|-----------|--------|---------------|------------|-------------|
| SRF3P4024 | 40 FT. | 24" | 8,200 LBS. | \$31,715.00 |

AERATION & SOIL MANAGEMENT

SCHMEISER SMART-TILL®



SMART-TILL

Visit www.smart-till.com for more information

| MODEL NO. | TILLED WIDTH | RIGID -FOLDING | TRANSPORT WIDTH | APPROX. HP | WEIGHT | PRICE W/ HARROWS | PRICE W/O HARROWS |
|-----------|--------------|----------------|-----------------|-------------------------------|---|------------------|-------------------|
| SMT101 | 10 ft. | RIGID | 12' | 85-130 PTO | 3,350 lbs. w/o harrows 5,250 lbs. w/ harrows | \$ 39,710.00 | \$ 31,540.00 |
| SMT151 | 15 ft. | RIGID | 17' | 130-200 PTO | 5,000 lbs. w/o harrows 7,850 lbs. w/ harrows | 57,335.00 | 44,410.00 |
| SMT203 | 20 ft. | FOLDING | 17' | 170-255 PTO | 7,550 lbs. w/o harrows 11,400 lbs. w/ harrows | 85,465.00 | 61,905.00 |
| SMT303 | 30 ft. | FOLDING | 17' | 300-450 ENGINE 255-380 PTO | 10,500 lbs. w/o harrows 16,000 lbs. w/ harrows | 120,345.00 | 97,425.00 |

- 2.7" TILL XTREME trunnion bearings standard on tine gangs Transport width is **with** rear harrows.
 - Tires & lead hoses are included.



SMART-TILL ROTARY HARROW MODULES

| PART NO. | DESCRIPTION | Field Width (tine to tine) | | PRICE |
|----------|----------------------------|----------------------------|-----------|-------------|
| | | 0° Angle | 30° Angle | |
| 853044 | Harrow Module 3' | 38" | 33" | \$ 2,435.00 |
| 853066 | Harrow Module 5'7" | 68" | 59" | 2,985.00 |
| 853033 | Harrow Module 6' | | 63.5" | 3,115.00 |
| 853109 | Harrow Module 9' | 115" | 100" | 4,080.00 |
| 853129* | 3' Harrow Hanger | | | 555.00 |
| 853103* | 5'7", 6', 9' Harrow Hanger | | | 660.00 |

- Harrows smooth, level and loosen soil - Ideal for seed bed preparation. Harrows can be varied up to 30° at either standard or aggressive angles. Tine material is wear resistant 4140 steel. *includes: hanger, bushing, and decal

1 800 288-8128 Order Desk

AERATOR PRICE LIST

SMART-TILL ORCHARD MAX



Optional Rear Rollers



STO-14 - 14' Wide Unit

SMART-TILL ORCHARD MAX

Assembly charge - N/A

| MODEL NO. | SIZE | Working Width | Overall Width | WEIGHT | PRICE |
|-----------|--------|---------------|---------------|--------|--------------|
| STO-08 | 8 ft. | 4' - 8' | 9' | 1,600 | \$ 11,480.00 |
| STO-09 | 9 ft. | 5' - 9' | 10' | 1,650 | 11,550.00 |
| STO-10 | 10 ft. | 6' - 10' | 11' | 1,700 | 11,625.00 |
| STO-11 | 11 ft. | 7' - 11' | 12' | 1,750 | 11,700.00 |
| STO-12 | 12 ft. | 8' - 12' | 13' | 1,800 | 11,775.00 |
| STO-13 | 13 ft. | 9' - 13' | 14' | 1,850 | 11,850.00 |
| STO-14 | 14 ft. | 10' - 14' | 15' | 1,900 | 11,925.00 |
| STO-15 | 15 ft. | 11' - 15' | 16' | 1,950 | 11,995.00 |

Standard Accessories: Patented Smart-Till Chrome Tines, 2.7" Sealed Till XTreme Bearings, Light kit on units 12' and wider, Adjustable gangs from 0-10 degrees, Bearing guards & weight brackets

OPTIONS / PARTS

| PART NO. | DESCRIPTION | PRICE |
|-----------------|---|--------------|
| *NO PART NUMBER | Make unit adjustable by 2' less than overall size (i.e. 14' to 12') | \$ 250.00 |
| GMB-WEIGHT | 100 LB. Suitcase Weight (Up to 20 per machine) | 145.00 |
| TP02101216D-6SR | 2' - 6" Wide - 10-12/16 Rear Roller | EA. 3,015.00 |

ORDERS@TGSCHMEISER.COM

TILL AN' BEDDER™ PRICE LIST

NEXT GEN RIGID TILL AN' BEDDER



FOUR BAR MODEL
 Assembly charge - \$ 300 net

| Width | Tube-Ring Size | Model Number | WT. | Transport Width | Approx. HP | PRICE |
|--------|----------------|---------------|--------|-----------------|------------|-----------|
| 12 ft. | 12 - 14/20 | TBX412121420D | 9,475 | 13' - 8" | 120 - 180 | 48,315.00 |
| 12 ft. | 14 - 16/22 | TBX412141622D | 9,775 | 13' - 8" | 120 - 180 | 48,980.00 |
| 14 ft. | 12 - 14/20 | TBX414121420D | 11,100 | 15' - 8" | 140 - 210 | 52,225.00 |
| 14 ft. | 14 - 16/22 | TBX414141622D | 11,435 | 15' - 8" | 140 - 210 | 53,105.00 |
| 16 ft. | 12 - 14/20 | TBX416121420D | 12,580 | 17' - 8" | 160 - 240 | 58,235.00 |
| 16 ft. | 14 - 16/22 | TBX416141622D | 12,980 | 17' - 8" | 160 - 240 | 59,240.00 |
| 18 ft. | 12 - 14/20 | TBX418121420D | 14,490 | 19' - 8" | 180 - 270 | 64,585.00 |
| 18 ft. | 14 - 16/22 | TBX418141622D | 14,940 | 19' - 8" | 180 - 270 | 65,400.00 |
| 20 ft. | 12 - 14/20 | TBX420121420D | 16,100 | 21' - 8" | 200 - 300 | 69,720.00 |
| 20 ft. | 14 - 16/22 | TBX420141622D | 16,600 | 21' - 8" | 200 - 300 | 70,975.00 |

Next Gen Model includes 2-11/16" Till Xtreme Bearings. Hydraulic S-Tines Standard. Depth gauge for S-Tines & Leveling bar standard.
 1 Foot wider rear roller standard. Ductile Rings standard. All lead hoses and wheels and tires included. Easy to adjust front-to-rear level.
 On board hose storage. Light Kit Included. Unit ships 11'11" wide & 85% assembled.



OPTIONAL REAR TRAIL HITCH

TILL AN' BEDDER OPTIONS

| PART NO. | DESCRIPTION | WT. | PRICE |
|-----------|---|-----|---------|
| TBX4-Q | Heavy Duty Rear Trail Hitch | | 1795.00 |
| HKFTB4-TH | Hose kit for Heavy Duty Rear Trail Hitch hydraulic circuit (1 pair) | | 575.00 |
| SBM-SRO | Front Split Roller Option (for 12ft. to 20ft. units) | | 2050.00 |

Light kit included on all units

ORDERS@TGSCHMEISER.COM

TILL AN' BEDDER™ PRICE LIST

NEXT GEN FOLDING TILL AN' BEDDER

(4 BAR MODEL)



FOLDING 4 BAR TILL AN' BEDDER

Assembly charge - \$ 600 net - ready to tow

| Width | Tube-Ring Size | Model Number | Transport Width | Approx. HP | PRICE |
|--------|----------------|-----------------|-----------------|------------|------------|
| 24 FT. | 14-16/22 | TBFX424141622D | 17' 6" | 240 - 360 | 118,060.00 |
| 26 FT. | 14-16/22 | TBFX426141622D | | 260 - 390 | 122,650.00 |
| 28 FT. | 14-16/22 | TBFX428141622D | | 280 - 420 | 128,030.00 |
| 30 FT. | 12-14/20 | TBFX430121420D | | 300 - 450 | 128,460.00 |
| 30 FT. | 14-16/22 | TBFX430141622D | | | 132,970.00 |
| 30 FT. | 14/24S 14/20D | TBFX430121420DS | | | 129,105.00 |
| 30 FT. | 14/24S 16/22D | TBFX430141622DS | | | 132,970.00 |

Hydraulic S-Tine Kit Standard. Depth indicator for S-Tines and Leveling Bar Standard. Front to rear level standard. Front hydraulic hose storage bank. Includes tires and all hydraulic cylinders and connecting hoses. Call factory for pricing on other sized units.

Units ship partially assembled 11' 11" wide. Estimated assembly time at dealership is (2) personnel @ 8 hours each.

TILL AN' BEDDER OPTIONS

| PART NO. | DESCRIPTION | WT. | PRICE |
|------------------|--|-----|----------|
| FTB4-RTH | Next GEN heavy duty trail hitch (comes with CAT 3 perfect hitch) | | 2,365.00 |
| FTB4-SCR-30 | Scrapers for 30' unit equipped with steel rings (call for other sizes) | | 1,045.00 |
| HKFTB4-TH | Hose kit for Heavy Duty Rear Trail Hitch hydraulic circuit (1 pair) | | 575.00 |
| Specify on order | Optional double lip clevis for rear hitch | | 255.00 |

ORDERS@TGSCHMEISER.COM

LEVELER PRICE LIST

DRAG SCRAPER & SPEED LEVELER



SDSM-10 shown w/ optional side blades

DRAG SCRAPER

Assembly charge - N/A

| MODEL NO. | SIZE | HP RANGE | CAPACITY | Weight | PRICE |
|-----------------|--------|----------|-----------------|--------|-------------|
| SDS08 | 8 ft. | 65-85 | 2 Cubic Yards | 1,580 | \$ 9,475.00 |
| SDSM08 (Medium) | 8 ft. | 65-85 | 2 Cubic Yards | 1,300 | 8,365.00 |
| SDS10 | 10 ft. | 75-100 | 2.5 Cubic Yards | 1,690 | 9,780.00 |
| SDSM10 (Medium) | 10 ft. | 75-100 | 2.5 Cubic Yards | 1,400 | 8,600.00 |
| SDS12 | 12 ft. | 90-110 | 3 Cubic Yard | 1,860 | 10,755.00 |
| SDSM12 (Medium) | 12 ft. | 90-110 | 3 Cubic Yard | 1,560 | 9,460.00 |
| SDS14 | 14 ft. | 100-130 | 3.5 Cubic Yards | 2,000 | 11,245.00 |
| SDSM14 (Medium) | 14 ft. | 100-130 | 3.5 Cubic Yards | 1,680 | 9,905.00 |

Standard Accessories: Lead hoses, transport safety chain, replaceable long-life UHMW wheel axle bushings, reversible/replaceable wheel axle spindles. Jack Stand. SDS units are 3 pt. Cat II / Cat II Quick Hitch compatible.

Light kit included on all units

OPTIONS

| PART NO. | DESCRIPTION | PRICE |
|--------------|--|----------|
| Call Factory | Hydraulic Tilt-Leg Option | 1,415.00 |
| Call Factory | Turnbuckle Tilt-Leg Option | 615.00 |
| SLP-BKS | Replaceable / Reversible Side Blades (Pair with fasteners) | 300.00 |
| SDS-GPS | GPS & Laser Stand | 290.00 |
| GMB-HITCHVBK | Perfect Hitch V-Block Kit, Cat 2-3 | 85.00 |

SPEED LEVELER

Assembly charge - N/A

| MODEL NO. | SIZE | PRICE |
|-----------|--------|------------|
| SSL10 | 10 ft. | \$5,960.00 |



10 ft. wide main unit with turnbuckle adjustable gauge wheels, replaceable spindles, center buster and standard V-blade replacement blades (10 ft. rears). 14 ft. drag pipe for a smooth finish. Quick & easy post harvest clean up

ORDERS@TGSCHEMEISER.COM

LEVELER PRICE LIST

V-BLADE LEVELER™



VBL model
w/ rear smoothing plate



VBL-R model
w/ 8" rear roller

V-BLADE LEVELER

Assembly charge - n/c - fully assembled

***** VBL model *****

***** VBL-R roller model *****

| SIZE | APPROX. HP | MODEL | WT. | PRICE | MODEL | WT. | PRICE |
|------|------------|--------|------------|-------------|---------|-----------|-------------|
| 8 ft | 40 - 55 | VBL-08 | 1,765 lbs. | \$ 7,090.00 | VBL-08R | 1795 lbs. | \$ 7,245.00 |
| 9 | 45 - 60 | VBL-09 | 1,882 | 7,275.00 | VBL-09R | 1,910 | 7,455.00 |
| 10 | 50 - 65 | VBL-10 | 1,992 | 7,455.00 | VBL-10R | 2,018 | 7,690.00 |
| 11 | 55 - 70 | VBL-11 | 2,101 | 7,765.00 | VBL-11R | 2,124 | 7,960.00 |
| 12 | 60 - 75 | VBL-12 | 2,187 | 8,015.00 | VBL-12R | 2,209 | 8,185.00 |
| 13 | 65 - 80 | VBL-13 | 2,322 | 8,250.00 | VBL-13R | 2,343 | 8,445.00 |
| 14 | 75 - 90 | VBL-14 | 2,430 | 8,575.00 | VBL-14R | 2,450 | 8,710.00 |
| 15 | 75 - 95 | VBL-15 | 2,562 | 8,840.00 | VBL-15R | 2,580 | 8,920.00 |
| 16 | 80 - 100 | VBL-16 | 2,650 | 9,235.00 | VBL-16R | 2,667 | 9,435.00 |
| 17 | 85 - 105 | VBL-17 | 2,798 | 9,590.00 | VBL-17R | 2,813 | 9,715.00 |
| 18 | 90 - 110 | VBL-18 | 2,926 | 10,040.00 | VBL-18R | 2,939 | 10,125.00 |

Light kit included on units 12' and up

V-BLADE OPTIONS

| PART NO. | DESCRIPTION | WT. | PRICE |
|----------|--|---------|-------------|
| 3VB-D | Berm Scraper Assembly (pair) | 65 lbs. | \$ 1,155.00 |
| 3VB-DR | Berm Scraper Assembly-Roller Model (pair) | 65 | 1,320.00 |
| 3VB-L | Overflow Shield Kit | 27 | 345.00 |
| 3VB-F | Shipping Stands for Vertical Shipping (can be returned for credit) | | 85.00 |

Visit our website @ www.tgschmeiser.com

LEVELER PRICE LIST

BANTAM LEVELER™



BANTAM LEVELER

Assembly charge - \$ 275 net - ready to tow

| MODEL # | SIZE (width x length) | APPROX. HP | DRY WT. | WT. W/ FLUID | PRICE |
|---------|-----------------------|------------|------------|--------------|--------------|
| BOL 080 | 8 x 18 Complete | 40 - 50 | 2,414 lbs. | 3,414 lbs. | \$ 15,350.00 |
| BOL 090 | 9 x 18 Complete | 45 - 55 | 2,523 | 3,648 | 15,590.00 |
| BOL 100 | 10 x 18 Complete | 50 - 60 | 2,632 | 3,882 | 15,870.00 |
| BOL 110 | 11 x 18 Complete | 55 - 65 | 2,741 | 4,116 | 16,180.00 |
| BOL 120 | 12 x 18 Complete | 60 - 70 | 2,850 | 4,350 | 16,625.00 |
| BOL 130 | 13 x 18 Complete | 65 - 75 | 2,959 | 4,584 | 17,070.00 |
| BOL 140 | 14 x 18 Complete | 70 - 80 | 3,068 | 4,818 | 17,375.00 |
| BOL 150 | 15 x 18 Complete | 75 - 85 | 3,177 | 5,052 | 17,810.00 |
| BOL 160 | 16 x 18 Complete | 80 - 95 | 3,286 | 5,286 | 18,605.00 |
| BOL 170 | 17 x 18 Complete | 85 - 100 | 3,795 | 5,920 | 18,855.00 |
| BOL 180 | 18 x 18 Complete | 90 - 105 | 3,904 | 6,154 | 19,300.00 |

All units include: jack stand, adjustable off-set hitch, mud scraper, heavy duty bucket cranks, 1-11/16" bearings.
 (2) 7.60 x 15 8 ply tires, (2) wheels, 4 x 16 cyl., wheel axle, all hoses and transport lockout.

Light kit included on all units

1 800 288-8128 Order Desk

LEVELER PRICE LIST
MODEL 77 ORCHARD LEVELER™



MODEL 77 ORCHARD LEVELER

Assembly charge - \$ 450 net - ready to tow

Shipping Stack (fits in 16' of deck space) - \$495

| MODEL NO. | WIDTH | TILL AN' PAK TUBE RING SIZE | APPROX. H.P. | TURNING RADIUS | WT. | PRICE | DOUBLE FLAT ROLLER |
|---------------|--------|--------------------------------|-----------------|-------------------|-----------|--------------|-----------------------|
| LL-77-10 x 20 | 10 ft. | 10 12/16 | 55 - 65 | 16 ft. | 5,240 lbs | \$ 28,535.00 | \$ 28,265.00 |
| LL-77-10 x 20 | 10 ft. | 12 14/20 | 55 - 65 | 16 ft. | 6,050 | 30,860.00 | |
| LL-77-11 x 20 | 11 ft. | 10 12/16 | 60 - 70 | 17 ft. | 5,520 | 29,215.00 | 28,680.00 |
| LL-77-11 x 20 | 11 ft. | 12 14/20 | 60 - 70 | 17 ft. | 6,411 | 31,780.00 | |
| LL-77-12 x 20 | 12 ft. | 10 12/16 | 65 - 75 | 18 ft. | 5,800 | 29,835.00 | 30,130.00 |
| LL-77-12 x 20 | 12 ft. | 12 14/20 | 65 - 75 | 18 ft. | 6,772 | 32,875.00 | |
| LL-77-14 x 20 | 14 ft. | 10 12/16 | 75 - 90 | 20 ft. | 6,320 | 31,255.00 | 32,240.00 |
| LL-77-14 x 20 | 14 ft. | 12 14/20 | 75 - 90 | 20 ft. | 7,454 | 35,280.00 | |
| LL-77-15 x 20 | 15 ft. | 10 12/16 | 85 - 100 | 22 ft. | 6,800 | 32,425.00 | 33,395.00 |
| LL-77-15 x 20 | 15 ft. | 12 14/20 | 85 - 100 | 22 ft. | 8,100 | 36,515.00 | |

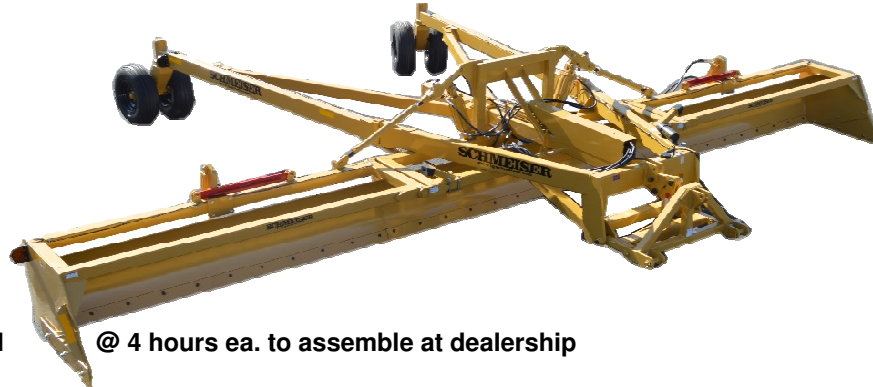
Includes hydraulic cylinders, 15" wheels, lead hoses, connecting hoses, (4) 7.60 x 15 tires, & tongue jack.
 Rear roller mud scrapers are now standard.

Light kit included on all units

ORDERS@TGSCHMEISER.COM

LEVELER PRICE LIST

VARITRAK™ AND SCHMEISER GRADER BLADE™



VARITRAK LEVELER

Ships with wings on. 2 personnel

@ 4 hours ea. to assemble at dealership

** Lead Hoses Included

| MODEL NO. | BUCKET WIDTH | REAR WHEELS | RIGID - FOLDING | TRANSPORT WIDTH | PRICE |
|-----------|--------------|-------------------|-----------------|-----------------|--------------|
| SVT - 16S | 16 ft. | Steel (18" x 30") | RIGID | 16' 6" x 24' | \$ 27,535.00 |
| SVT - 16R | 16 ft. | Dual Rubber | RIGID | 16' 6" x 24' | 26,510.00 |
| SVT - 20S | 20 ft. | Steel (18" x 30") | FOLDING | 13' 6" x 24' | 38,580.00 |
| SVT - 20R | 20 ft. | Dual Rubber | FOLDING | 13' 6" x 24' | 37,790.00 |
| SVT - 24S | 24 ft. | Steel (18" x 30") | FOLDING | 13' 6" x 24' | 39,945.00 |
| SVT - 24R | 24 ft. | Dual Rubber | FOLDING | 13' 6" x 24' | 38,730.00 |
| SVT - 30R | 30 ft. | Dual Rubber | FOLDING | 15' 6" x 24' | 45,840.00 |

- Includes self leveling compensation hitch, extra HD bushings in all high wear pivot points including hitch and rear stabilizer arms. Pivot assembly on rear wheels are comprised of 3" shaft, thrust brgs, and bushings.
- Folding models include (2) 4" x 12" wing cylinders, (1) 3" x 36" rear frame cylinder and connecting hoses.

VARITRAK OPTIONS

| MODEL NO. | DESCRIPTION | PRICE |
|-----------|--------------------------------|-------------|
| SVT-LHU | Laser Hitch Upgrade | \$ 1,105.00 |
| SVT-L-16 | S-Tine Option for 16 ft. Units | 5,575.00 |
| SVT-L-20 | S-Tine Option for 20 ft. Units | 7,540.00 |
| SVT-L-24 | S-Tine Option for 24 ft. Units | 7,950.00 |
| SVT-L-30 | S-Tine Option for 30 ft. Units | 8,645.00 |

Note: Laser hitch upgrade includes (1) 4" x 12" cylinder, cylinder anchor mount, and laser receiver mounting stand (laser not included).

Light kit included on all units



GRADER BLADE

Assembly charge - n/c

**Transport width - 7'-6"

| MODEL NO. | BUCKET WIDTH | WEIGHT | TRANSPORT WIDTH | PRICE |
|-----------|--------------|------------|-----------------|--------------|
| SGB-20 | 20 ft. | 3,300 lbs. | 8' 0" | \$ 28,065.00 |
| SGB-30 | 30 ft. | 4,200 | 8' 0" | 33,905.00 |
| SGB-40 | 40 ft. | 4,900 | 8' 0" | 35,345.00 |

- Hydraulic depth control standard on all units - Lead hoses & rear transport lights included
- Includes (4) 205-75-D15 transport tires and wheels and (4) 205-75-D15 reversible gauge wheels.

Light kit included on all units

1 800 288-8128 Order Desk

LEVELER PRICE LIST

TRI-PLANE LAND LEVELER



TRI-PLANE LEVELER

Assembly charge - \$ 525 net - ready to tow

Partial assembly - \$ 275 net (11' 5" transport width partially assembled)

Est. 10-12 hrs @ dealership to complete assembly

| MODEL NO. | WIDTH x LENGTH | FRONT WHEELS | APPROX H.P. | WEIGHT | PRICE |
|------------|-----------------|--------------|-------------|------------|--------------|
| SLP 12DS30 | 12 ft. x 30 ft. | Dual Steel | 115 - 140 | 7,040 lbs. | \$ 45,595.00 |
| SLP 12QR30 | 12 ft. x 30 ft. | Quad Rubber | 115 - 140 | 6,640 | 45,140.00 |
| SLP 14DS30 | 14 ft. x 30 ft. | Dual Steel | 130 - 155 | 7,190 | 46,180.00 |
| SLP 14QR30 | 14 ft. X 30 ft. | Quad Rubber | 130 - 155 | 6,790 | 45,735.00 |
| SLP 14DS | 14 ft. x 40 ft. | Dual Steel | 130 - 155 | 7,490 | 47,265.00 |
| SLP 14QR | 14 ft. x 40 ft. | Quad Rubber | 130 - 155 | 7,090 | 46,795.00 |
| SLP 16DS30 | 16 ft. x 30 ft. | Dual Steel | 150 - 175 | 7,330 | 47,095.00 |
| SLP 16QR30 | 16 ft. x 30 ft. | Quad Rubber | 150 - 175 | 6,930 | 46,650.00 |
| SLP 16DS | 16 ft. x 40 ft. | Dual Steel | 150 - 175 | 7,630 | 48,005.00 |
| SLP 16QR | 16 ft. x 40 ft. | Quad Rubber | 150 - 175 | 7,230 | 47,565.00 |
| SLP 18DS30 | 18 ft. x 30 ft. | Dual Steel | 170 - 190 | 7,430 | 47,565.00 |
| SLP 18QR30 | 18 ft. x 30 ft. | Quad Rubber | 170 - 190 | 7,030 | 47,180.00 |
| SLP 18DS | 18 ft. x 40 ft. | Dual Steel | 170 - 190 | 7,730 | 48,655.00 |
| SLP 18QR | 18 ft. x 40 ft. | Quad Rubber | 170 - 190 | 7,330 | 48,370.00 |

- Includes hydraulic transport assembly (with two 12.5 x 16 tires and two 3-1/2 x 8" welded cylinders).
- Lead hoses included.
- Dual steel units include (4) 30" dia. X 18" wide steel wheels with 1-11/16 flange bearings.
- 1/2 x 6 Blade standard
- Quad rubber tire units include (4) 9.5L x 15 rib implement tires on front end of machine in lieu of 2 steel wheels

LAND LEVELER OPTIONS

| MODEL NO. | DESCRIPTION | WEIGHT | PRICE |
|-------------|---|----------|-------------|
| SLPA10HBO | Hydraulic Bucket Option - Lead hoses included | 220 lbs. | \$ 2,045.00 |
| SLP-SHIPBAR | Bar to ship unit partially assembled (can be returned for credit) | | 300.00 |

Light kit included on all units

Visit our website @ www.tgshmeiser.com

LEVELER PRICE LIST

FOLDING TRI-PLANE LAND LEVELER



SLP24DSF in transport mode



SLP24DSF model in field mode

FOLDING TRI-PLANE LEVELER

Assembly Included

| MODEL NO. | WIDTH x LENGTH | FRONT WHEELS | APPROX H.P. | WEIGHT | PRICE |
|-----------|-----------------|--------------|-------------|------------|--------------|
| SLP 18DSF | 18 ft. x 40 ft. | Dual Steel | 180-225 | 9,140 lbs. | \$ 60,690.00 |
| SLP 20DSF | 20 ft. x 40 ft. | Dual Steel | 200-260 | 9,250 | 61,340.00 |
| SLP 20QRF | 20 ft. x 40 ft. | Quad Rubber | 200-260 | 8,850 | 60,715.00 |
| SLP 22DSF | 22 ft. x 40 ft. | Dual Steel | 220-280 | 9,360 | 61,960.00 |
| SLP 22QRF | 22 ft. x 40 ft. | Quad Rubber | 220-280 | 8,960 | 61,365.00 |
| SLP 24DSF | 24 ft. x 40 ft. | Dual Steel | 240-300 | 9,470 | 62,760.00 |
| SLP 24QRF | 24 ft. x 40 ft. | Quad Rubber | 240-300 | 9,070 | 62,145.00 |

- Folded Transport width is 11'0" (Manual Fold Only)
- Includes hydraulic transport assembly (with two 12.5 x 16 tires and two 3-1/2 x 8" welded cylinders).
- Lead hoses included.
- Dual steel units include (4) 30" dia. X 18" wide steel wheels with 1-11/16 flange bearings.
- 1/2 x 6 Blade standard
- Quad rubber tire units include (4) 9.5L x 15 rib implement tires on front end of machine in lieu of 2 steel wheels

1 800 288-8128 Order Desk

LEVELER PRICE LIST

PRECISION FINISHING SCRAPER



PRECISION FINISHING SCRAPER

PFS 24 w/ End Tow Option Shown

| MODEL NO. | WIDTH x LENGTH | APPROX H.P. | CU/YD | WEIGHT | PRICE |
|-----------|-----------------|-------------|-------|------------|--------------|
| PFS 12 | 12 ft. x 22 ft. | 145-200 | 8.6 | 6,800 lbs. | \$ 35,925.00 |
| PFS 14 | 14 ft. x 22 ft. | 170-230 | 9.5 | 7,000 | 37,240.00 |
| PFS 16 | 16 ft. x 22 ft. | 190-265 | 10.9 | 7,200 | 38,975.00 |
| PFS 18 | 18 ft. x 22 ft. | 215-300 | 12.2 | 7,400 | 41,755.00 |
| PFS 20 | 20 ft. x 22 ft. | 240-330 | 13.6 | 8,500 | 45,170.00 |
| PFS 22 | 22 ft. x 22 ft. | 265-365 | 15 | 8,720 | 47,890.00 |
| PFS 24 | 24 ft. x 22 ft. | 300-400 | 16.3 | 8,980 | 51,075.00 |

- 12, 14, and 16 ft. units include (4) 31x13.5 Tires, Lead Hoses & Tips - Laser Tower not included
 - 18 ft., 20 ft., 22 ft., and 24 ft. units include (4) 16.5x16 Tires, Lead Hoses & Tips

PRECISION FINISHING SCRAPER OPTIONS

| MODEL NO. | DESCRIPTION | WEIGHT | PRICE |
|-----------|---|----------|-------------|
| PFS-LTO | Laser Tower - each | 144 lbs. | \$ 1,240.00 |
| PFS-TO* | End Tow Transport ~ Available on 20', 22' & 24' units | 1600 | 11,335.00 |
| PFS-RWO | Rear Wheel Option | - | 6,510.00 |
| PFS-GPS | GPS Stand - each | 24 | 230.00 |
| PFS-SWH | Swivel Hitch | 67 | 1,330.00 |
| PFS-HKJF | Hydraulic Hose Kit - For End Tow Models | - | 435.00 |
| PFS-HKJR | Hydraulic Hose Kit - Rigid units | - | 405.00 |

* End Tow transport width 12'7"

If ordering (1) Laser Tower or GPS Stand, you do **NOT** need to add a hose kit. Only add a hose kit if ordering (2) GPS Stands or (2) Laser towers. (1) Hose kit is included in the base model number

Visit our website @ www.tgschmeiser.com

RIPPER PRICE LIST

FINISHING RIPPER CHISEL



3 Bar model
(shown w/ gauge wheels)

2 BAR FINISHING CHISEL **Assembled - n/c**

| MODEL NO. | Width | # of Shanks | Spacing | Description | Approx. Wt. | PRICE |
|-----------|--------|-------------|---------|-------------------------------------|-------------|--------------|
| SFC-213 | 13 ft. | 13 | 12" | 1-1/4" x 30" shank w/ alfalfa spike | 3,000 lbs. | \$ 15,290.00 |
| SFC-215 | 15 ft. | 15 | 12" | 1-1/4" x 30" shank w/ alfalfa spike | 3,300 | 16,720.00 |
| SFC-217 | 17 ft. | 17 | 12" | 1-1/4" x 30" shank w/ alfalfa spike | 3,600 | 18,140.00 |
| SFC-219 | 19 ft. | 19 | 12" | 1-1/4" x 30" shank w/ alfalfa spike | 3,900 | 18,810.00 |
| SFC-221 | 21 ft. | 21 | 12" | 1-1/4" x 30" shank w/ alfalfa spike | 4,200 | 21,090.00 |
| SFC-223 | 23 ft. | 23 | 12" | 1-1/4" x 30" shank w/ alfalfa spike | 4,500 | 22,335.00 |
| SFC-225 | 25 ft. | 25 | 12" | 1-1/4" x 30" shank w/ alfalfa spike | 4,800 | 23,690.00 |

Complete with Cat III & IV 3pt. Hitch. Gauge wheels are available, see options section below.

3 BAR FINISHING CHISEL **Assembled - n/c** minimal assembly required

| MODEL NO. | Width | # of Shanks | Spacing | Description | Approx. Wt. | PRICE |
|-----------|--------|-------------|---------|-------------------------------------|-------------|--------------|
| SFC-313 | 13 ft. | 13 | 12" | 1-1/4" x 30" shank w/ alfalfa spike | 3,200 lbs. | \$ 16,865.00 |
| SFC-315 | 15 ft. | 15 | 12" | 1-1/4" x 30" shank w/ alfalfa spike | 3,600 | 18,295.00 |
| SFC-317 | 17 ft. | 17 | 12" | 1-1/4" x 30" shank w/ alfalfa spike | 4,300 | 19,870.00 |
| SFC-319 | 19 ft. | 19 | 12" | 1-1/4" x 30" shank w/ alfalfa spike | 4,600 | 21,175.00 |
| SFC-321 | 21 ft. | 21 | 12" | 1-1/4" x 30" shank w/ alfalfa spike | 4,900 | 23,030.00 |
| SFC-323 | 23 ft. | 23 | 12" | 1-1/4" x 30" shank w/ alfalfa spike | 5,250 | 23,945.00 |
| SFC-325 | 25 ft. | 25 | 12" | 1-1/4" x 30" shank w/ alfalfa spike | 5,600 | 25,910.00 |

Complete with Cat III & IV 3pt. Hitch. Gauge wheels are available, see options section below.

OPTIONS

| PART NO. | DESCRIPTION | PRICE |
|----------|--|-------------|
| SFC-GWS | Standard Duty Gauge Wheels with (2) 9.5 x 15" Rib Imp Tires | \$ 3,360.00 |
| SFC-GWHD | Heavy Duty Gauge Wheels with (2) 12.5 x 16" Rib Imp Tires | 4,150.00 |
| SFC-D | Heavy Duty Gauge Wheel Cranks - Upgrade (Flat acme thread - EZ adjust) | 480.00 |
| SFC-GWDS | Heavy Duty Gauge Wheels with Dual Steel Wheels (4 wheels total) | 5,585.00 |
| SFC-RH3B | Rear Trail Hitch (for 3-bar models) | 555.00 |
| SFC-RH2B | Rear Trail Hitch (for 2 bar models) | 480.00 |

RIPPER PRICE LIST

S-SERIES



S-SERIES - 3 POINT

Assembled - n/c

| MODEL NO. | # of Shanks | Spacing | Shank Size | | Weight | PRICE |
|-----------|-------------|---------|--------------|-----------------------------|------------|--------------|
| S53430 | 5 | 30" | 1-1/4" x 34" | S-Series - "L" Shank design | 5,145 lbs. | \$ 25,505.00 |
| S73420 | 7 | 20" | 1-1/4" x 34" | S-Series - "L" Shank design | 5,905 | 27,605.00 |
| S73422 | 7 | 22" | 1-1/4" x 34" | S-Series - "L" Shank design | 5,984 | 27,640.00 |
| S73424 | 7 | 24" | 1-1/4" x 34" | S-Series - "L" Shank design | 6,100 | 28,055.00 |
| S73430 | 7 | 30" | 1-1/4" x 34" | S-Series - "L" Shank design | 6,512 | 28,815.00 |
| S53630 | 5 | 30" | 1-1/2" x 36" | S-Series - "L" Shank design | 6,124 | 28,900.00 |
| S73620 | 7 | 20" | 1-1/2" x 36" | S-Series - "L" Shank design | 6,908 | 31,750.00 |
| S73622 | 7 | 22" | 1-1/2" x 36" | S-Series - "L" Shank design | 7,054 | 32,045.00 |
| S73624 | 7 | 24" | 1-1/2" x 36" | S-Series - "L" Shank design | 7,255 | 32,330.00 |
| S73630 | 7 | 30" | 1-1/2" x 36" | S-Series - "L" Shank design | 7,788 | 33,685.00 |

Complete with Cat III & IV 3pt. hitch, dual gauge wheels w/ (4) 7" x 30" steel wheels, chrome points and replaceable shins.

Crumbler attachment available. See page #26 for Crumbler prices. **Wear guards now included on all units. Cat III and CAT IV Narrow QH

Light kit included on all units

RIPPER OPTIONS

| PART NO. | DESCRIPTION | | PRICE |
|----------|--|-----|--------|
| EP | Extra Pockets - per pocket | 80 | 340.00 |
| RH | Rear Hitch for S-Series and P-Series | 100 | 540.00 |
| *P | 36" Parabolic Shank Option (in lieu of "L" Shank design) per shank | - | n/c |
| S*38**P | 38" Parabolic Shank Upgrade (each shank) From 36" shank | 20 | 140.00 |
| S*42**P | 42" Parabolic Shank Upgrade (each shank) | 60 | 270.00 |

Note: Approximately 35 to 60 H.P. required per "L" shank. Results may vary depending on ground conditions.

Note: See page #25 for Crumbler attachments

ORDERS@TGSCHMEISER.COM

RIPPER PRICE LIST

C-SERIES RIPPER



C-SERIES - 3 POINT

Assembled - n/c minimal assembly required

| MODEL NO. | Shanks | Spacing | Shank Size | | Weight | PRICE |
|-----------|--------|---------|--------------|-----------------------------|------------|--------------|
| C53624 | 5 | 24" | 1-1/2" x 36" | C-Series - "L" Shank design | 4,600 lbs. | \$ 19,195.00 |
| C53630 | 5 | 30" | 1-1/2" x 36" | C-Series - "L" Shank design | 4,867 | 19,735.00 |
| C73620 | 7 | 20" | 1-1/2" x 36" | C-Series - "L" Shank design | 5,798 | 23,255.00 |
| C73622 | 7 | 22" | 1-1/2" x 36" | C-Series - "L" Shank design | 5,972 | 23,560.00 |
| C73624 | 7 | 24" | 1-1/2" x 36" | C-Series - "L" Shank design | 6,076 | 23,700.00 |
| C73630 | 7 | 30" | 1-1/2" x 36" | C-Series - "L" Shank design | 6,585 | 24,620.00 |

Complete with Cat. III & IV hitch, 3" x 12" Chrome points and replaceable shins. Gauge wheels not available on this unit.
 Designed for use with Down Pressure Roller. See page #27 for options and DPR prices.**Wear guards now included

Light kit included on all units

RIPPER OPTIONS

| PART NO. | DESCRIPTION | Weight | PRICE |
|----------|--|--------|--------|
| EP | Extra Pockets - per pocket | 80 | 340.00 |
| *P | 36" Parabolic Shank Option (in lieu of "L" Shank design) per shank | - | n/c |
| C*38**P | 38" Parabolic Shank Upgrade (each shank) | 20 | 140.00 |

Note: Approximately 35 to 60 H.P. required per "L" shank. Results may vary depending on ground conditions.

See page #26 for Down Pressure Roller attachments

1 800 288-8128 Order Desk

RIPPER PRICE LIST

P-SERIES RIPPER



Shown w/ CWD counterweight

P-SERIES - PULL TYPE

Assembled - n/c some additional assembly required

| MODEL NO. | # of Shanks | Spacing | Shank Size | | WEIGHT | PRICE |
|-----------|-------------|---------|--------------|-----------------------|------------|--------------|
| P53630 | 5 | 30" | 1-1/2" x 36" | P-Series | 9,218 lbs. | \$ 49,335.00 |
| P53630D | 5 | 30" | 1-1/2" x 36" | P-Series - Detachable | 9,432 | 49,610.00 |
| P73622 | 7 | 22" | 1-1/2" x 36" | P-Series | 9,218 | 52,815.00 |
| P73622D | 7 | 22" | 1-1/2" x 36" | P-Series - Detachable | 9,406 | 53,405.00 |
| P73624 | 7 | 24" | 1-1/2" x 36" | P-Series | 9,218 | 53,115.00 |
| P73624D | 7 | 24" | 1-1/2" x 36" | P-Series - Detachable | 9,396 | 53,690.00 |
| P73630D | 7 | 30" | 1-1/2" x 36" | P-Series - Detachable | 9,500 | 54,430.00 |

Complete with geared flow divider, auto rephase gauge wheels, single point depth control gauging, & chrome points and shins.
Lead hoses included. Available with Down Pressure Roller or Crumbler. Be sure to order appropriate counterweight.

*** 9 & 11 Shank units available - Call Factory for pricing & details ***

RIPPER OPTIONS

| PART NO. | DESCRIPTION | | PRICE |
|----------|--|------|----------|
| EP | Extra Pockets - per pocket | 80 | 340.00 |
| RH | Rear Hitch for S-Series and P-Series | 100 | 540.00 |
| *P | 36" Parabolic Shank Option (in lieu of "L" Shank design) per shank | - | n/c |
| P*38**P | 38" Parabolic Shank Upgrade (each shank) | 20 | 140.00 |
| CWD | Counterweight for Pull-Type Ripper with Down Pressure Roller | 1800 | 4,180.00 |
| CWC | Counterweight for Pull-Type Ripper with Crumbler Roller | 900 | 2,090.00 |

Note: Approximately 35 to 60 H.P. required per "L" shank. Results may vary depending on ground conditions.

See pages 25 & 26 for Crumbler and DPR attachments

RIPPER PRICE LIST

CRUMBLER



CRUMBLER - SPIRAL PADDLE

Assembled - n/c

Assembled to Ripper - \$50 net

| MODEL NO. | WIDTH | # of Paddles | Rear Bar (height x width) | WEIGHT | PRICE |
|-----------|--------|--------------|---------------------------|-----------|--------------|
| CS5-144 | 12 ft. | 5 | 7" x 7" or 7" x 5" | 2467 lbs. | \$ 12,020.00 |
| CS5-156 | 13 ft. | 5 | 7" x 7" or 7" x 5" | 2540 | 12,160.00 |
| CS5-168 | 14 ft. | 5 | 7" x 7" or 7" x 5" | 2613 | 12,410.00 |
| CS5-180 | 15 ft. | 5 | 7" x 7" or 7" x 5" | 2748 | 12,870.00 |
| CS5-192 | 16 ft. | 5 | 7" x 7" or 7" x 5" | 2951 | 13,415.00 |
| CS5-204 | 17 ft. | 5 | 7" x 7" or 7" x 5" | 3123 | 13,970.00 |

For use on S-Series and P-Series Rippers. P-Series Rippers must use counterweight option #CWC.



CRUMBLER - STRAIGHT PADDLE

Assembled - n/c

Assembled to Ripper - \$50 net

| MODEL NO. | WIDTH | # of Paddles | Rear Bar (height x width) | WEIGHT | PRICE |
|-----------|--------|--------------|---------------------------|-----------|-------------|
| CS7-144 | 12 ft. | 7 | 7" x 7" or 7" x 5" | 2466 lbs. | \$ 9,455.00 |
| CS7-156 | 13 ft. | 7 | 7" x 7" or 7" x 5" | 2539 | 9,900.00 |
| CS7-168 | 14 ft. | 7 | 7" x 7" or 7" x 5" | 2612 | 10,215.00 |
| CS7-180 | 15 ft. | 7 | 7" x 7" or 7" x 5" | 2755 | 10,670.00 |
| CS7-192 | 16 ft. | 7 | 7" x 7" or 7" x 5" | 2965 | 11,130.00 |
| CS7-204 | 17 ft. | 7 | 7" x 7" or 7" x 5" | 3181 | 11,575.00 |

For use on S-Series and P-Series Rippers. P-Series Rippers must use counterweight option #CWC.

See Page #24 & 26 for Ripper Prices

RIPPER PRICE LIST
DOWN PRESSURE ROLLER



DOWN PRESSURE ROLLER

Assembled - n/c

Assembled to Ripper - \$50 net

| MODEL NO. | Width | Rear Bar (height x width) | Weight | PRICE |
|-----------|--|---------------------------|------------|--------------|
| DPR-108 | 9 ft. | 7" x 7" | 4,381 lbs. | \$ 24,735.00 |
| DPR-120 | 10 ft. | 7" x 7" | 4,648 | 25,450.00 |
| DPR-144 | 12 ft. | 7" x 7" | 4,915 | 26,725.00 |
| DPR-156 | 13 ft. | 7" x 7" | 5,242 | 28,010.00 |
| DPR-168 | 14 ft. | 7" x 7" | 5,513 | 29,430.00 |
| DPR-180 | 15 ft. | 7" x 7" | 5,783 | 30,855.00 |
| DPR-192 | 16 ft. | 7" x 7" | 5,783 | 32,265.00 |
| DPR-204 | 17 ft. | 7" x 7" | 6,234 | 34,105.00 |
| CWD | Counterweight for Pull-Type Ripper with Down Pressure Roller | | | 4,180.00 |

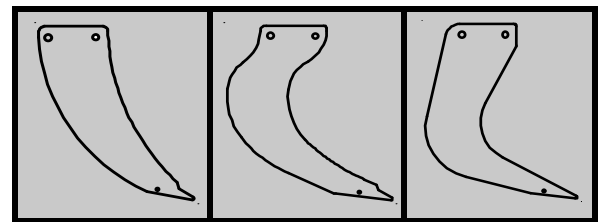
For use on C-Series and P-Series Rippers only. P-Series Rippers must use counterweight option #CWD.

See Page #23 & 24 for Ripper Prices

Visit our website @ www.tgschmeiser.com

RIPPER PRICE LIST

V-SERIES RIPPER



Standard

Parabolic

"L" Shank

V-Series Ripper - Vineyard Model

Assembled - n/c

| MODEL NO. | # of Shanks | Spacing | Shank Size | | WEIGHT | PRICE | |
|------------|--|---------|--------------|-----------------------------|------------|-------------|--------|
| VR327S | 3 | 30" | 1-1/4" x 27" | V-Series - Standard Shank | 1,050 lbs. | \$ 6,025.00 | |
| VR327P | 3 | 30" | 1-1/4" x 27" | V-Series - Parabolic Shank | 1,075 | 6,025.00 | |
| VR327L | 3 | 30" | 1-1/4" x 27" | V-Series - "L" Shank design | 1,104 | 6,025.00 | |
| VR331S | 3 | 30" | 1-1/4" x 31" | V-Series - Standard Shank | 1,102 | 6,390.00 | |
| VR331P | 3 | 30" | 1-1/4" x 31" | V-Series - Parabolic Shank | 1,127 | 6,390.00 | |
| VR331L | 3 | 30" | 1-1/4" x 31" | V-Series - "L" Shank design | 1,154 | 6,390.00 | |
| VR334S | 3 | 30" | 1-1/4" x 34" | V-Series - Standard Shank | 1,150 | 7,030.00 | |
| VR334P | 3 | 30" | 1-1/4" x 34" | V-Series - Parabolic Shank | 1,175 | 7,030.00 | |
| VR334L | 3 | 30" | 1-1/4" x 34" | V-Series - "L" Shank design | 1,202 | 7,030.00 | |
| VSR-00A100 | Rear Trail Hitch - Factory Install Only | | | | | | 550.00 |

Category II or Cat II quick hitch. 6 x 6 main frame construction. 2-1/4" x 7-1/2" Chrome shin guard & point standard.

Overall Frame width: 64-3/4"

Note: Approximately 25 to 35 H.P. required per shank. Results may vary depending on ground conditions.

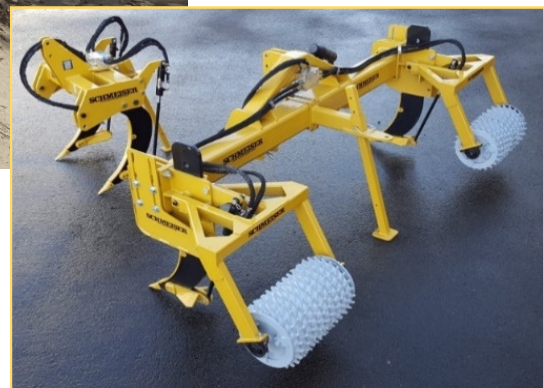
Caution: Tractors with smaller tires may have ground clearance issues with 34" shanks.

RIPPER PRICE LIST

MID ROW RIPPER



DPR024 Rear Roller



HD & MINI SERIES

Assembled - n/c minimal assembly required

| MODEL NO. | Shanks | Adj. Shank Depth | Width | Shank Spacing | Weight | PRICE |
|-----------|--------|------------------|--------------------|-----------------|-----------|--------------|
| ASW32036 | 2 | 24" | 3', Mini | 33-3/4" | 690 lbs. | \$ 11,700.00 |
| ASW32048 | 2 | 24" | 4', Mini | 44-3/4" | 730 lbs. | 11,905.00 |
| ASW32060 | 2 | 24" | 5', Mini | 55-3/4" | 775 lbs. | 12,105.00 |
| ASW52060 | 2 | 24", 28", & 32" | 5', HD | 4'-6" | 1265 lbs. | 13,280.00 |
| ASW52072 | 2 | 24", 28", & 32" | 6', HD Adjustable | 4'-6" to 5'-4" | 1300 lbs. | 13,560.00 |
| ASW52084 | 2 | 24", 28", & 32" | 7', HD Adjustable | 4'-6" to 6'-4" | 1350 lbs. | 13,700.00 |
| ASW52096 | 2 | 24", 28", & 32" | 8', HD Adjustable | 4'-6" to 7'-4" | 1400 lbs. | 13,850.00 |
| ASW52120 | 2 | 24", 28", & 32" | 10', HD Adjustable | 4'-6" to 9'-4" | 1500 lbs. | 14,140.00 |
| ASW52132 | 2 | 24", 28", & 32" | 11', HD Adjustable | 5'-6" to 10'-4" | 1590 lbs. | 14,435.00 |
| ASW52144 | 2 | 24", 28", & 32" | 12', HD Adjustable | 5'-6" to 11'-4" | 1640 lbs. | 14,550.00 |

OPTIONS

| PART NO. | DESCRIPTION | Weight | PRICE |
|-----------------|--|--------|----------|
| TP02101216D-RR | 2 Ft. Till an' Pak Pup - For HD Ripper only 10" tube, 12/16 ring (each) | 450 | 2,350.00 |
| TP02101216D-6RR | 2 Ft. 6" Till an' Pak Pup - For HD Ripper only 10" tube, 12/16 ring (each) | 515 | 2,480.00 |
| TP02121420D-RR | 2 Ft. Till an' Pak Pup - For HD Ripper only 12" tube, 14/20 ring (each) | 615 | 2,775.00 |
| TP02121420D-6RR | 2 Ft. 6" Till an' Pak Pup - For HD Ripper only 12" tube, 14/20 ring (each) | 725 | 3,000.00 |
| DPR024 | 2 Ft. Down Pressure Roller - 12/20 Steel Star Ring w/ Mud Scrapers (ea) | 435 | 2,935.00 |
| DPR030 | 2 Ft. 6" Down Pressure Roller - 12/20 Steel Star Ring w/ Mud Scrapers (ea) | 535 | 3,415.00 |
| SWKS-0050 | Dirt Crowdors for HD MRR | | 1,785.00 |
| *SWKS-0060 | Hydraulic Oil Cooling System (Heat exchanger, hoses, fittings, brackets) | | 860.00 |
| SWKS-0048K | 18" Extension Kit for HD MRR - Includes extensions and fasteners | | 930.00 |

HD Rippers will come standard with adjustable depth gauging when ordered with Till an' Pak Pups

*Some tractors are equipped with smaller hydraulic reservoir systems and may need additional cooling.

Note: Approximately 35 to 55 H.P. required per shank. Results may vary depending on ground conditions.

Note: For Till an' Pak rollers for Mini Mid Row Ripper - use standard Till an' Pak pricing on Page #4 of Price List.

3-POINT CULTI-PLOW PRICE LIST

2 BAR & 3 BAR MODELS

2 BAR - VINEYARD MODEL

Assembly charge - n/c



| MODEL NO. | DESCRIPTION | | WT. | PRICE |
|-----------|---|--------------|---------|-------------|
| 4CP-1 | 4 Ft. Culti-Plow (single 1" x 2" shank) | 5 shanks | 413 lbs | \$ 3,220.00 |
| 5CP-1 | 5 Ft. Culti-Plow (single 1" x 2" shank) | 5 shanks | 438 | 3,280.00 |
| 6CP-1 | 6 Ft. Culti-Plow (single 1" x 2" shank) | 5 shanks | 463 | 3,350.00 |
| 7CP-1 | 7 Ft. Culti-Plow (single 1" x 2" shank) | 7 shanks | 520 | 3,915.00 |
| 8CP-1 | 8 Ft. Culti-Plow (single 1" x 2" shank) | 7 shanks | 545 | 4,025.00 |
| 4CP-3 | 4 Ft. Culti-Plow (double shank combo 3/4" x 2" & 1" x 2") | 5 shank sets | 508 | 3,570.00 |
| 5CP-3 | 5 Ft. Culti-Plow (double shank combo 3/4" x 2" & 1" x 2") | 5 shank sets | 533 | 3,655.00 |
| 6CP-3 | 6 Ft. Culti-Plow (double shank combo 3/4" x 2" & 1" x 2") | 5 shank sets | 558 | 3,750.00 |
| 7CP-3 | 7 Ft. Culti-Plow (double shank combo 3/4" x 2" & 1" x 2") | 7 shank sets | 647 | 4,555.00 |
| 8CP-3 | 8 Ft. Culti-Plow (double shank combo 3/4" x 2" & 1" x 2") | 7 shank sets | 672 | 4,615.00 |

Unit equipped with 3/4" x 2" x 16" reversible chisel points - Safety stand is standard

2 BAR OPTIONS

| PART NO. | DESCRIPTION | | WT. | PRICE |
|----------|---|----------|----------|-----------|
| CP-1 EX | 1 Ft. Extensions (single 1" x 2" shank) | (1 pair) | 178 lbs. | \$ 880.00 |
| CP-3 EX | 1 Ft. Extensions (double shank combo 3/4" x 2" & 1" x 2") | (1 pair) | 216 | 1,105.00 |
| CP-THTP | Rear Trail Hitch - to pull Till an' Pak behind Culti-Plow | | 35 | 270.00 |
| 3CP-RH | Rear Trail Hitch - Heavy Duty | | 65 | 425.00 |

3 BAR MODEL - HEAVY DUTY - Cat 2 & 3

Assembly charge - \$ 100 net - ready for field



| MODEL NO. | DESCRIPTION | # OF SHANKS | WT. | PRICE |
|-----------|--|---------------|-----------|--------------|
| HCP310 | 10 Ft. Culti-Plow (Triple shank combo 3/4", 3/4" and 1" thick) | 9 shank sets | 1575 lbs. | \$ 10,965.00 |
| HCP312 | 12 Ft. Culti-Plow (Triple shank combo 3/4", 3/4" and 1" thick) | 11 shank sets | 1811 | 12,180.00 |
| HCP314 | 14 Ft. Culti-Plow (Triple shank combo 3/4", 3/4" and 1" thick) | 13 shank sets | 2047 | 13,380.00 |
| HCP316 | 16 Ft. Culti-Plow (Triple shank combo 3/4", 3/4" and 1" thick) | 15 shank sets | 2283 | 14,750.00 |
| HCP318 | 18 Ft. Culti-Plow (Triple shank combo 3/4", 3/4" and 1" thick) | 17 shank sets | 2519 | 16,320.00 |
| HCP320 | 20 Ft. Culti-Plow (Triple shank combo 3/4", 3/4" and 1" thick) | 19 shank sets | 2755 | 17,600.00 |

All units are complete with 3 bars (4 x 4 x .375wall tubing), Cat.II, III, quick hitch II, III, IIIN.
Gauge wheels are optional.

Light kit included on all 3 Bar units

3 BAR OPTIONS

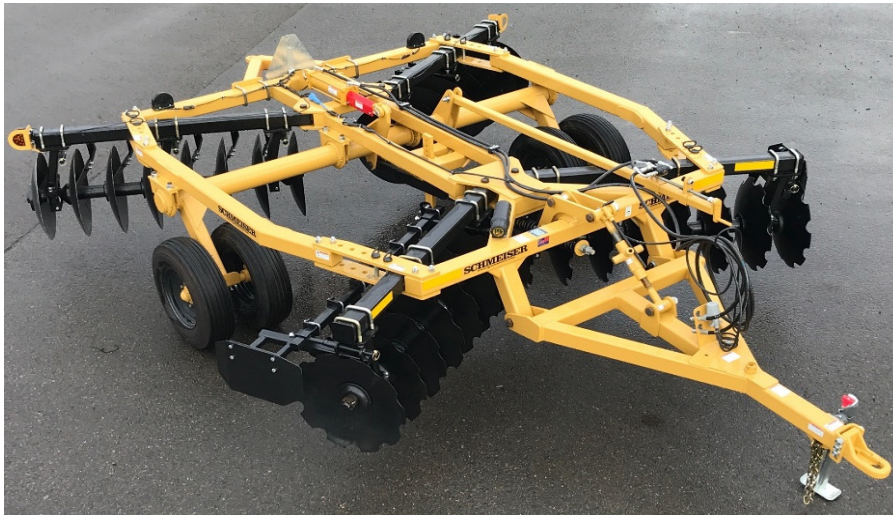
| MODEL NO. | DESCRIPTION | | WT. | PRICE |
|-----------|--|--|----------|-------------|
| HCPGW | Gauge Wheels - includes (2) 9.50 x 15 tires (1 pair) | | 375 lbs. | \$ 2,585.00 |
| HCPRH | Rear Trail Hitch | | 125 | 485.00 |

Note: Approximately 12 to 16 hp per shank assembly at 15" deep. Results may vary depending on ground conditions.

Visit our website @ www.tgschmeiser.com

ORCHARD DISC PRICE LIST

TANDEM DISC - HEAVY



DTH MODEL

| MODEL NO. | # of Blades | Width | Blade Size | Spacing | Base Wt. | PRICE |
|---|-------------|--------|------------|---------|----------|--------------|
| DTH24-24NS | 24 | 10'-0" | 24" x 6mm | 9" | 4,900 | \$ 26,045.00 |
| DTH28-24 | 28 | 11'-0" | 24" x 6mm | 9" | 5,171 | 26,855.00 |
| DTH28-24NS | 28 | 11'-0" | 24" x 6mm | 9" | 5,135 | 26,895.00 |
| DTH32-24 | 32 | 12'-6" | 24" x 6mm | 9" | 5,418 | 27,760.00 |
| DTH32-24NS | 32 | 12'-6" | 24" x 6mm | 9" | 5,376 | 27,790.00 |
| DTH36-24 | 36 | 14'-0" | 24" x 6mm | 9" | 6,001 | 30,590.00 |
| DTH36-24NS | 36 | 14'-0" | 24" x 6mm | 9" | 5,954 | 30,635.00 |
| DTH40-24 | 40 | 15'-6" | 24" x 6mm | 9" | 6,239 | 31,335.00 |
| DTH40-24NS | 40 | 15'-6" | 24" x 6mm | 9" | 6,187 | 31,375.00 |
| DTH44-24 | 44 | 17'-0" | 24" x 6mm | 9" | 6,486 | 32,235.00 |
| DTH44-24NS | 44 | 17'-0" | 24" x 6mm | 9" | 6,745 | 32,265.00 |
| | | | | | | |
| DTH28-26 | 28 | 11'-0" | 26" x 6mm | 9" | 5,348 | \$ 27,610.00 |
| DTH28-26NS | 28 | 11'-0" | 26" x 6mm | 9" | 5,297 | 27,680.00 |
| DTH32-26 | 32 | 12'-6" | 26" x 6mm | 9" | 5,619 | 28,490.00 |
| DTH32-26NS | 32 | 12'-6" | 26" x 6mm | 9" | 5,561 | 28,585.00 |
| DTH36-26 | 36 | 14'-0" | 26" x 6mm | 9" | 6,228 | 31,485.00 |
| DTH36-26NS | 36 | 14'-0" | 26" x 6mm | 9" | 6,162 | 31,560.00 |
| DTH40-26 | 40 | 15'-6" | 26" x 6mm | 9" | 6,491 | 32,225.00 |
| DTH40-26NS | 40 | 15'-6" | 26" x 6mm | 9" | 6,418 | 32,310.00 |
| DTH44-26 | 44 | 17'-0" | 26" x 6mm | 9" | 6,763 | 33,280.00 |
| DTH44-26NS | 44 | 17'-0" | 26" x 6mm | 9" | 6,682 | 33,350.00 |
| HD 1-3/4" Gang Bolts, 1-3/4" Trunnion Bearings, ACME Thread Front Turnbuckle, Middle buster (Less Sweep), 9" blade spacing, Single point hydraulic depth control, Cat-3 Perfect Hitch, 12-28" Front Gang Adj., 10-26" Rear Gang Adj., Jack Stand, Lead hoses included. Transport Light Kit Standard | | | | | | |

OPTIONS - DTH ORCHARD DISC

| PART NO. | DESCRIPTION | PRICE |
|-------------|---------------------------------------|----------|
| DTS-24 | Mud scraper blade set - 24 blade unit | 1,855.00 |
| DTS-28 | Mud scraper blade set - 28 blade unit | 2,250.00 |
| DTS-32 | Mud scraper blade set - 32 blade unit | 2,505.00 |
| DTS-36 | Mud scraper blade set - 36 blade unit | 2,975.00 |
| DTS-40 | Mud scraper blade set - 40 blade unit | 3,265.00 |
| DTS-44 | Mud scraper blade set - 44 blade unit | 3,480.00 |
| SDO-T | REAR TRAIL HITCH | 445.00 |
| DRT-L012 | DIRT DIVERTERS | 485.00 |
| GMB-HITCVBK | Perfect Hitch V-Block Kit Cat 2-3 | 85.00 |

1 800 288-8128 Order Desk

VINEYARD DISC PRICE LIST

3 POINT - TANDEM SUPER NARROW



TSN MODEL

Shown w/ optional mounted Till an' Pak

Assembled - n/c

| MODEL NO. | # of Blades | Width of Cut | Frame Width | Blade Size | Blade Type | Base Wt. | PRICE |
|-----------|-------------|--------------|-------------|------------|-------------------|------------|-------------|
| TSN8N | 8 | 29" to 42" | 45" | 22" x 5mm | smooth / smooth | 1,006 lbs. | \$ 7,925.00 |
| TSN8N-NS | 8 | 29" to 42" | 45" | 22" x 5mm | notched / smooth | 1,002 | 7,980.00 |
| TSN8N-NN | 8 | 29" to 42" | 45" | 22" x 5mm | notched / notched | 998 | 8,005.00 |
| TSN8 | 8 | 29" to 53" | 55" | 22" x 5mm | smooth / smooth | 1,026 | 8,140.00 |
| TSN8-NS | 8 | 29" to 53" | 55" | 22" x 5mm | notched / smooth | 1,022 | 8,180.00 |
| TSN8-NN | 8 | 29" to 53" | 55" | 22" x 5mm | notched / notched | 1,018 | 8,215.00 |
| TSN10 | 10 | 46" to 66" | 55" | 22" x 5mm | smooth / smooth | 1,181 | 8,940.00 |
| TSN10-NS | 10 | 46" to 66" | 55" | 22" x 5mm | notched / smooth | 1,177 | 9,000.00 |
| TSN10-NN | 10 | 46" to 66" | 55" | 22" x 5mm | notched / notched | 1,171 | 9,075.00 |
| TSN12 | 12 | 46" to 66" | 55" | 22" x 5mm | smooth / smooth | 1,336 | 9,895.00 |
| TSN12-NS | 12 | 46" to 66" | 55" | 22" x 5mm | notched / smooth | 1,330 | 9,960.00 |
| TSN12-NN | 12 | 46" to 66" | 55" | 22" x 5mm | notched / notched | 1,324 | 10,035.00 |

| PART NO. | DESCRIPTION | | |
|----------|---|--|-----------|
| DBEOR225 | Blade Extensions, rear outside w/ 22" x 5mm blade (pr.) | | \$ 550.00 |
| DBEOF225 | Blade Extensions, front outside w/ 22" x 5mm blade (pr.) | | 550.00 |
| DTS-8 | Mud scraper blade set - 8 blade unit | | 255.00 |
| DTS-10 | Mud scraper blade set - 10 blade unit | | 645.00 |
| DTS-12 | Mud scraper blade set - 12 blade unit | | 1,005.00 |
| DTS-SEK | Scraper arm & blade ass'y w/ scraper extension (one pair) | | 210.00 |
| SDO-R | Rear Trail Hitch for 8 to 16 blade units | | 230.00 |
| DRT-L012 | Dirt Diverters (pair) for 8 blade and 10 blade models | | 485.00 |
| DRT-L312 | Dirt Diverters (pair) for 12 blade models | | 500.00 |
| SDO-V | Dirt Diverter Extensions (pair) | | 165.00 |
| DRT-M | Cane Deflectors (pair) | | 210.00 |

ORDERS@TGSCHMEISER.COM

VINEYARD DISC PRICE LIST

3PT. REVERSIBLE TANDEM - MEDIUM DUTY



Shown w/ dirt diverters, cane deflectors, and mud scrapers

RTM MODEL
 Assembly charge - n/c

| MODEL NO. | # of Blades | Width of Cut | Frame Width | Blade Size | Blade (front/rear) | Base Wt. | PRICE |
|-----------|-------------|--------------|-------------|------------|--------------------|------------|--------------|
| RTM12N | 12 | 46" to 53" | 48" | 24" x 5mm | smooth / smooth | 1,715 lbs. | \$ 10,925.00 |
| RTM12N-NS | 12 | 46" to 53" | 48" | 24" x 5mm | notched / smooth | 1,709 | 10,990.00 |
| RTM12N-NN | 12 | 46" to 53" | 48" | 24" x 5mm | notched / notched | 1,703 | 11,020.00 |
| RTM12 | 12 | 53" to 66" | 60" | 24" x 5mm | smooth / smooth | 1,754 | 11,070.00 |
| RTM12-NS | 12 | 53" to 66" | 60" | 24" x 5mm | notched / smooth | 1,748 | 11,020.00 |
| RTM12-NN | 12 | 53" to 66" | 60" | 24" x 5mm | notched / notched | 1,742 | 11,155.00 |
| RTM14 | 14 | 63" to 84" | 66" | 24" x 5mm | smooth / smooth | 1,895 | 11,975.00 |
| RTM14-NS | 14 | 63" to 84" | 66" | 24" x 5mm | notched / smooth | 1,889 | 12,010.00 |
| RTM14-NN | 14 | 63" to 84" | 66" | 24" x 5mm | notched / notched | 1,881 | 12,035.00 |
| RTM16N | 16 | 63" to 84" | 66" | 24" x 5mm | smooth / smooth | 1,987 | 12,335.00 |
| RTM16N-NS | 16 | 63" to 84" | 66" | 24" x 5mm | notched / smooth | 1,981 | 12,410.00 |
| RTM16N-NN | 16 | 63" to 84" | 66" | 24" x 5mm | notched / notched | 1,971 | 12,455.00 |
| RTM16W | 16 | 63" to 101" | 86" | 24" x 5mm | smooth / smooth | 2,063 | 12,555.00 |
| RTM16W-NS | 16 | 63" to 101" | 86" | 24" x 5mm | notched / smooth | 2,055 | 12,590.00 |
| RTM16W-NN | 16 | 63" to 101" | 86" | 24" x 5mm | notched / notched | 2,047 | 12,640.00 |
| RTM18 | 18 | 81" to 119" | 86" | 24" x 5mm | smooth / smooth | 2,215 | 13,065.00 |
| RTM18-NS | 18 | 81" to 119" | 86" | 24" x 5mm | notched / smooth | 2,207 | 13,105.00 |
| RTM18-NN | 18 | 81" to 119" | 86" | 24" x 5mm | notched / notched | 2,197 | 13,160.00 |

Reversible, 1-3/4" round axles, trunnion bearings w/ wear plates, 9" blade spacing,
 Cat I & II, Cat II quick hitch, middle buster, 0-30 degree gangs & tapered frame design.

OPTIONS - RTM 3PT. DISC.

| PART NO. | DESCRIPTION | | For Model # | PRICE |
|----------|---|-----|-------------|-----------|
| DBEOR245 | Blade Extensions, rear outside w/ 24" x 5mm blade (pr.) | | RTM | \$ 615.00 |
| DBEOF245 | Blade Extensions, front outside w/ 24" x 5mm blade (pr.) | | RTM | 615.00 |
| DTS-12 | Mud scraper blade set - 12 blade unit | TSN | RTM RTH | 1,005.00 |
| DTS-14 | Mud scraper blade set - 14 blade unit | | RTM RTH | 1,115.00 |
| DTS-16 | Mud scraper blade set - 16 blade unit | | RTM RTH | 1,255.00 |
| DTS-18 | Mud scraper blade set - 18 blade unit | | RTM RTH | 1,435.00 |
| DTS-SEK | Scraper arm & blade ass'y w/ scraper extension (one pair) | TSN | RTM RTH | 210.00 |
| SDO-R | Rear Trail Hitch for 12 to 16 blade units | TSN | RTM RTH | 230.00 |
| SDO-N | Rear Trail Hitch for 18 to 20 blade units | | RTM RTH | 270.00 |
| SDO-Q | RTM Toolbar Attachment | | RTM | 520.00 |
| DRT-L012 | Dirt Diverters (pair) for 16 & 18 blade models | | RTM RTH | 485.00 |
| DRT-L312 | Dirt Diverters (pair) for 12 & 14 blade models | | RTM RTH | 500.00 |
| SDO-V | Dirt Diverter Extensions (pair) | TSN | RTM RTH | 165.00 |
| DRT-M | Cane Deflectors (pair) | TSN | RTM RTH | 210.00 |
| RTM-L | High Lift 3pt. hitch in lieu of standard (for RTM disc) | | RTM | 155.00 |

VINEYARD DISC PRICE LIST

3PT. REVERSIBLE TANDEM - SUPER HEAVY DUTY



Shown with dirt diverters, and cane deflectors

RTH MODEL

Assembly charge - n/c

| MODEL NO. | # of Blades | Width of Cut | Frame Width | Blade Size | Blade (front/rear) | Base Wt. | PRICE |
|-----------|-------------|--------------|-------------|------------|--------------------|------------|--------------|
| RTH12 | 12 | 53" to 66" | 60" | 24" x 6mm | smooth / smooth | 2,075 lbs. | \$ 11,700.00 |
| RTH12-NS | 12 | 53" to 66" | 60" | 24" x 6mm | notched / smooth | 2,069 | 11,750.00 |
| RTH12-NN | 12 | 53" to 66" | 60" | 24" x 6mm | notched / notched | 2,063 | 11,795.00 |
| RTH14 | 14 | 63" to 84" | 66" | 24" x 6mm | smooth / smooth | 2,235 | 12,570.00 |
| RTH14-NS | 14 | 63" to 84" | 66" | 24" x 6mm | notched / smooth | 2,229 | 12,605.00 |
| RTH14-NN | 14 | 63" to 84" | 66" | 24" x 6mm | notched / notched | 2,221 | 12,645.00 |
| RTH16N | 16 | 63" to 84" | 66" | 24" x 6mm | smooth / smooth | 2,343 | 13,245.00 |
| RTH16N-NS | 16 | 63" to 84" | 66" | 24" x 6mm | notched / smooth | 2,336 | 13,295.00 |
| RTH16N-NN | 16 | 63" to 84" | 66" | 24" x 6mm | notched / notched | 2,327 | 13,345.00 |
| RTH16W | 16 | 63" to 101" | 86" | 24" x 6mm | smooth / smooth | 2,431 | 13,400.00 |
| RTH16W-NS | 16 | 63" to 101" | 86" | 24" x 6mm | notched / smooth | 2,423 | 13,460.00 |
| RTH16W-NN | 16 | 63" to 101" | 86" | 24" x 6mm | notched / notched | 2,415 | 13,510.00 |
| RTH18 | 18 | 81" to 119" | 86" | 24" x 6mm | smooth / smooth | 2,500 | 14,090.00 |
| RTH18-NS | 18 | 81" to 119" | 86" | 24" x 6mm | notched / smooth | 2,492 | 14,125.00 |
| RTH18-NN | 18 | 81" to 119" | 86" | 24" x 6mm | notched / notched | 2,482 | 14,180.00 |
| RTH20 | 20 | 81" to 119" | 86" | 24" x 6mm | smooth / smooth | 2,570 | 14,635.00 |
| RTH20-NS | 20 | 81" to 119" | 86" | 24" x 6mm | notched / smooth | 2,560 | 14,685.00 |
| RTH20-NN | 20 | 81" to 119" | 86" | 24" x 6mm | notched / notched | 2,550 | 14,750.00 |

Reversible, 1-3/4" round axles, trunnion bearings w/ wear plates, 9" blade spacing, Cat II, Cat II quick hitch, middle buster, 0-30 degree gangs & tapered frame design.

OPTIONS - RTH 3PT. DISC

| PART NO. | DESCRIPTION | For Model # | | | PRICE |
|----------|---|-------------|-----|-----|-----------|
| DBEOR246 | Blade Extensions, rear outside w/ 24" x 6mm blade (pr.) | | | RTH | \$ 655.00 |
| DBEOF246 | Blade Extensions, front outside w/ 24" x 6mm blade (pr.) | | | RTH | 655.00 |
| DTS-12 | Mud scraper blade set - 12 blade unit | TSN | RTM | RTH | 1,005.00 |
| DTS-14 | Mud scraper blade set - 14 blade unit | | RTM | RTH | 1,115.00 |
| DTS-16 | Mud scraper blade set - 16 blade unit | | RTM | RTH | 1,255.00 |
| DTS-18 | Mud scraper blade set - 18 blade unit | | RTM | RTH | 1,435.00 |
| DTS-20 | Mud scraper blade set - 20 blade unit | | | RTH | 1,580.00 |
| DTS-SEK | Scraper arm & blade ass'y w/ scraper extension (one pair) | TSN | RTM | RTH | 210.00 |
| SDO-R | Rear Trail Hitch for 12 to 16 blade units | TSN | RTM | RTH | 230.00 |
| SDO-N | Rear Trail Hitch for 18 to 20 blade units | | RTM | RTH | 270.00 |
| SDO-P | RTH Toolbar Attachment | | | RTH | 510.00 |
| DRT-L012 | Dirt Diverters (pair) for 16, 18 & 20 blade models | TSN | RTM | RTH | 485.00 |
| DRT-L312 | Dirt Diverters (pair) for 12 & 14 blade models | TSN | RTM | RTH | 500.00 |
| SDO-V | Dirt Diverter Extensions (pair) | TSN | RTM | RTH | 165.00 |
| DRT-M | Cane Deflectors (pair) | TSN | RTM | RTH | 210.00 |
| RTH-L | High Lift 3pt. hitch in lieu of standard (for RTH disc) | | | RTH | 155.00 |

VINEYARD DISC PRICE LIST

PULL TYPE TANDEM DISC - MEDIUM



Shown w/
notched blades

PTM MODEL

Assembly charge - n/c

| MODEL NO. | # of Blades | Width of Cut | Frame Width | Blade Size | Blade Type | Base Wt. | PRICE |
|-----------|-------------|--------------|-------------|------------|-------------------|------------|--------------|
| PTM12 | 12 | 4'2" - 5'6" | 60" | 24" x 5mm | smooth / smooth | 2,378 lbs. | \$ 17,020.00 |
| PTM12-NS | 12 | 4'2" - 5'6" | 60" | 24" x 5mm | notched / smooth | 2,372 | 17,055.00 |
| PTM12-NN | 12 | 4'2" - 5'6" | 60" | 24" x 5mm | notched / notched | 2,366 | 17,100.00 |
| PTM14 | 14 | 5'3" - 7'0" | 66" | 24" x 5mm | smooth / smooth | 2,508 | 17,980.00 |
| PTM14-NS | 14 | 5'3" - 7'0" | 66" | 24" x 5mm | notched / smooth | 2,502 | 18,025.00 |
| PTM14-NN | 14 | 5'3" - 7'0" | 66" | 24" x 5mm | notched / notched | 2,494 | 18,080.00 |
| PTM16N | 16 | 5'3" - 7'0" | 66" | 24" x 5mm | smooth / smooth | 2,600 | 18,765.00 |
| PTM16N-NS | 16 | 5'3" - 7'0" | 66" | 24" x 5mm | notched / smooth | 2,593 | 18,840.00 |
| PTM16N-NN | 16 | 5'3" - 7'0" | 66" | 24" x 5mm | notched / notched | 2,584 | 18,875.00 |
| PTM16W | 16 | 5'3" - 8'5" | 86" | 24" x 5mm | smooth / smooth | 2,664 | 19,195.00 |
| PTM16W-NS | 16 | 5'3" - 8'5" | 86" | 24" x 5mm | notched / smooth | 2,656 | 19,245.00 |
| PTM16W-NN | 16 | 5'3" - 8'5" | 86" | 24" x 5mm | notched / notched | 2,648 | 19,315.00 |
| PTM18 | 18 | 6'9" - 9'11" | 86" | 24" x 5mm | smooth / smooth | 2,783 | 19,710.00 |
| PTM18-NS | 18 | 6'9" - 9'11" | 86" | 24" x 5mm | notched / smooth | 2,773 | 19,765.00 |
| PTM18-NN | 18 | 6'9" - 9'11" | 86" | 24" x 5mm | notched / notched | 2,765 | 19,825.00 |

1-3/4" round axles, trunnion bearings w/ wear plates, middle buster, 0-30 degree gangs, 9" blade spacing, hydraulic depth control & tapered frame design. Lead hoses included.

OPTIONS - PTM PULL TYPE DISC

| PART NO. | DESCRIPTION | | | PRICE |
|----------|---|-----|-----|-----------|
| DBEOR245 | Blade Extensions, rear outside w/ 24" x 5mm blade (pr.) | PTM | | \$ 615.00 |
| DBEOF245 | Blade Extensions, front outside w/ 24" x 5mm blade (pr.) | PTM | | 615.00 |
| DTS-12 | Mud scraper blade set - 12 blade unit | PTM | PTH | 1,005.00 |
| DTS-14 | Mud scraper blade set - 14 blade unit | PTM | PTH | 1,115.00 |
| DTS-16 | Mud scraper blade set - 16 blade unit | PTM | PTH | 1,255.00 |
| DTS-18 | Mud scraper blade set - 18 blade unit | PTM | PTH | 1,435.00 |
| DTS-SEK | Scraper arm & blade ass'y w/ scraper extension (one pair) | TSN | RTM | 210.00 |
| SDO-R | Rear Trail Hitch for 12 to 16 blade units | PTM | | 230.00 |
| SDO-N | Rear Trail Hitch for 18 to 20 blade units | PTM | | 270.00 |
| SDO-P | RTH, PTM, PTH Toolbar Attachment | PTM | PTH | 510.00 |
| DRT-L012 | Dirt Diverters (pair) for 16 & 18 blade models | PTM | PTH | 485.00 |
| DRT-L312 | Dirt Diverters (pair) for 12 & 14 blade models | PTM | PTH | 500.00 |
| SDO-V | Dirt Diverter Extensions (pair) | PTM | PTH | 165.00 |
| DRT-M | Cane Deflectors (pair) | PTM | PTH | 210.00 |

1 800 288-8128 Order Desk

VINEYARD DISC PRICE LIST

PULL TYPE TANDEM DISC - HEAVY



Shown with notched blades

PTH MODEL

Assembly charge - n/c

| MODEL NO. | # of Blades | Width of Cut | Frame Width | Blade Size | Spacing | Base Wt. | PRICE |
|--|-------------|--------------|-------------|------------|---------|------------|--------------|
| PTH-12-24 | 12 | 4'2" - 5'6" | 60" | 24" x 6mm | 9" | 3,378 lbs. | \$ 18,425.00 |
| PTH-14 -24 | 14 | 5'3" - 7'0" | 66" | 24" x 6mm | 9" | 3,508 | 19,350.00 |
| PTH-16N-24 | 16 | 5'3" - 7'0" | 66" | 24" x 6mm | 9" | 3,600 | 20,050.00 |
| PTH-16W-24 | 16 | 5'3" - 8'5" | 86" | 24" x 6mm | 9" | 3,664 | 20,805.00 |
| PTH-18-24 | 18 | 6'9" - 9'11" | 86" | 24" x 6mm | 9" | 3,783 | 21,020.00 |
| PTH-20-24 | 20 | 6'9" - 9'11" | 86" | 24" x 6mm | 9" | 3,900 | 21,390.00 |
| | | | | | | | |
| PTH-12-26 | 12 | 4'2" - 5'6" | 60" | 26" x 6mm | 9" | 3,498 | 18,280.00 |
| PTH-14 -26 | 14 | 5'3" - 7'0" | 66" | 26" x 6mm | 9" | 3,648 | 19,240.00 |
| PTH-16N-26 | 16 | 5'3" - 7'0" | 66" | 26" x 6mm | 9" | 3,760 | 20,150.00 |
| PTH-16W-26 | 16 | 5'3" - 8'5" | 86" | 26" x 6mm | 9" | 3,824 | 20,765.00 |
| PTH-18-26 | 18 | 6'9" - 9'11" | 86" | 26" x 6mm | 9" | 4,143 | 21,050.00 |
| PTH-20-26 | 20 | 6'9" - 9'11" | 86" | 26" x 6mm | 9" | 4,100 | 21,315.00 |
| 1-3/4" round axles, trunnion bearings w/ wear plates, middle buster, 0-30 degree gangs, 9" blade spacing, smooth blades, hydraulic depth control & tapered frame design. Lead hoses included. Notched blades are available | | | | | | | |

OPTIONS - PTH PULL TYPE DISC

| PART NO. | DESCRIPTION | | | PRICE |
|----------|--|-----|-----|----------|
| NB246 | 24" x 6mm notched blades in lieu of smooth - each | | PTH | \$ 10.00 |
| NB266 | 26" x 6mm notched blades in lieu of smooth - each | | PTH | 15.00 |
| DBEOR246 | Blade Extensions, rear outside w/ 24" x 6mm blade (pr.) | | PTH | 655.00 |
| DBEOF246 | Blade Extensions, front outside w/ 24" x 6mm blade (pr.) | | PTH | 655.00 |
| DBEOR266 | Blade Extensions, rear outside w/ 26" x 6mm blade (pr.) | | PTH | 730.00 |
| DBEOF266 | Blade Extensions, front outside w/ 26" x 6mm blade (pr.) | | PTH | 730.00 |
| DTS-12 | Mud scraper blade set - 12 blade unit | PTM | PTH | 1,005.00 |
| DTS-14 | Mud scraper blade set - 14 blade unit | PTM | PTH | 1,115.00 |
| DTS-16 | Mud scraper blade set - 16 blade unit | PTM | PTH | 1,255.00 |
| DTS-18 | Mud scraper blade set - 18 blade unit | PTM | PTH | 1,435.00 |
| DTS-20 | Mud scraper blade set - 20 blade unit | | PTH | 1,580.00 |
| DTS-SEK | Scraper arm & blade ass'y w/ scraper extension (one pair) | PTM | PTH | 210.00 |
| SDO-S | Rear Trail Hitch for PTH Models | PTM | PTH | 255.00 |
| SDO-P | RTH, PTM, PTH Toolbar Attachment | PTM | PTH | 510.00 |
| DRT-L012 | Dirt Diverters (pair) for 16, 18 & 20 blade models - 24" dia. blades | PTM | PTH | 485.00 |
| DRT-L312 | Dirt Diverters (pair) for 12 & 14 blade models - 24" dia. blades | PTM | PTH | 500.00 |
| DRT-L014 | Dirt Diverters (pair) for 16, 18 & 20 blade models - 26" dia. blades | | PTH | 500.00 |
| DRT-L314 | Dirt Diverters (pair) for 12 & 14 blade models - 26" dia. Blades | | PTH | 510.00 |
| SDO-V | Dirt Diverter Extensions (pair) | PTM | PTH | 165.00 |
| DRT-M | Cane Deflectors (pair) | PTM | PTH | 210.00 |

VINEYARD DRILL PRICE LIST

DRILLS & SEEDERS



VINEYARD DRILL (Double Disc Opener model)

| MODEL NO. | Width | Drilling Range | # of Cups | Opener Spacing | Bushel Cap. | Base Wt. | PRICE |
|-----------|-------|----------------|-----------|----------------|-------------|------------|--------------|
| VD-36PW | 40.5" | 29" - 32" | 5 | 7-1/4" | 6 | 1,715 lbs. | \$ 11,255.00 |
| VD-48PW | 48" | 36" - 42" | 6 | 7-1/4" | 8 | 1,754 | 12,535.00 |
| VD-60PW | 62" | 51" - 58" | 8 | 7-1/4" | 10 | 1,895 | 14,910.00 |
| VD-72PW | 76" | 65" - 72" | 10 | 7-1/4" | 12 | 1,987 | 17,100.00 |
| VD-96PW | 101" | 91" | 13 | 7-1/2" | 16 | 2,900 | 24,970.00 |

Units include double disc openers, 2 x 13" presswheels, and walkboard.

NO-TILL DRILL

| MODEL NO. | Width | Drilling Range | # of Cups | Opener Spacing | Bushel Cap. | Base Wt. | PRICE |
|-----------|-------|----------------|-----------|----------------|-------------|------------|--------------|
| VDNT-36PW | 40.5" | 29" | 5 | 7-1/4" | 6 | 2,165 lbs. | \$ 16,390.00 |
| VDNT-48PW | 48" | 36" | 6 | 7-1/4" | 8 | 2,254 | 18,530.00 |
| VDNT-60PW | 62" | 51" | 8 | 7-1/4" | 10 | 2,495 | 22,570.00 |
| VDNT-72PW | 76" | 65" | 10 | 7-1/4" | 12 | 2,687 | 26,420.00 |

OPTIONS

| PART NO. | DESCRIPTION | PRICE |
|------------|--|-------------|
| SS-36 | Small Seed Attachment - for 36" unit | \$ 4,225.00 |
| SS-48 | Small Seed Attachment - for 48" unit | 4,330.00 |
| SS-60 | Small Seed Attachment - for 60" unit | 4,475.00 |
| SS-72 | Small Seed Attachment - for 72" unit | 4,600.00 |
| NG-36 | Native Grass Attachment - for 36" unit | 6,325.00 |
| NG-48 | Native Grass Attachment - for 48" unit | 6,505.00 |
| NG-60 | Native Grass Attachment - for 60" unit | 6,675.00 |
| NG-72 | Native Grass Attachment - for 72" unit | 6,800.00 |
| NT-36ATT10 | No-Till Attachment - 36" - bolts on existing base unit | 6,240.00 |
| NT-48ATT10 | No-Till Attachment - 48" - bolts on existing base unit | 7,090.00 |
| NT-60ATT10 | No-Till Attachment - 60" - bolts on existing base unit | 8,805.00 |
| NT-72ATT10 | No-Till Attachment - 72" - bolts on existing base unit | 10,720.00 |
| VD-TDH | Tandem Drill Hitch (must specify drill combination) | 3,995.00 |

Visit our website @ www.tgschmeiser.com

HARVEST EQUIPMENT PRICE LIST

BIN TRAILERS



HBT3N - 3 BIN NARROW



HBT4S - 4 BIN STANDARD

- * Made annually with an 8/1 delivery
- * Minimum order quantity of 10 if ordered out of season. Call factory for details

BIN TRAILERS

Assembly charge - N/A

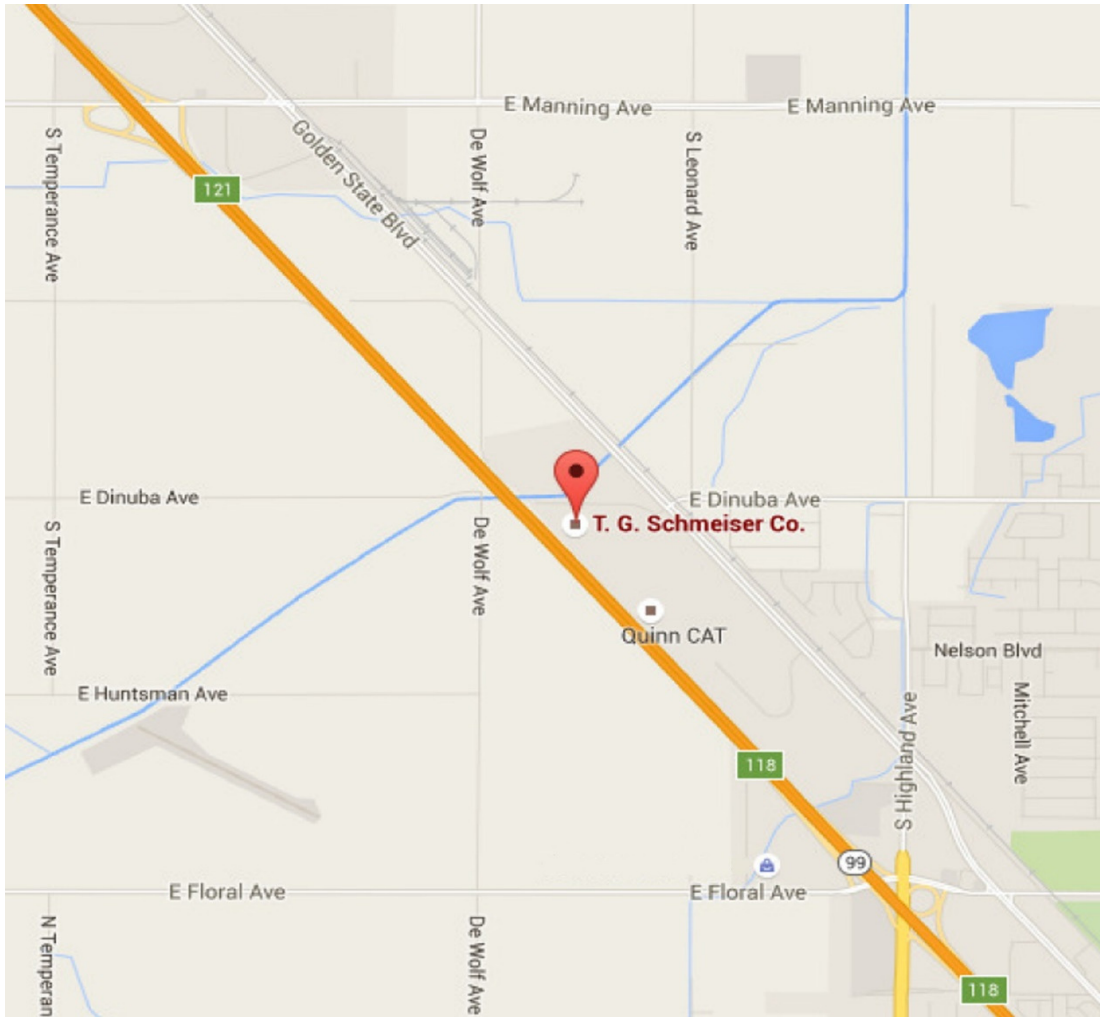
| MODEL NO. | DESCRIPTION | WEIGHT | PRICE |
|-----------|---|--------|-------------|
| HBT2N | 2 Bin Narrow Trailer - Tires Mounted Inside of Frame | 690 | \$ 4,905.00 |
| HBT2NR | 2 Bin Narrow Trailer with Ramps | 725 | 5,360.00 |
| HBT2S | 2 Bin Standard Trailer - Tires Mounted Outside of Frame | 775 | 5,220.00 |
| HBT2SPF | 2 Bin Standard w/ Platform & Fender Kit | 950 | 6,170.00 |
| HBT3S | 3 Bin Standard Trailer - Tires Mounted Outside of Frame | 1,160 | 5,660.00 |
| HBT3N | 3 Bin Narrow Trailer - Tires Mounted Inside of Frame | 1,000 | 5,515.00 |
| HBT3SPF | 3 Bin Standard w/ Platform & Fender Kit | 1,300 | 6,695.00 |
| HBT4S | 4 Bin Standard Trailer - Tires Mounted Outside of Frame | 1,230 | 6,255.00 |
| HBT4SPF | 4 Bin Standard Trailer w/ Platform & Fender Kit | 1,400 | 7,510.00 |
| HBTFK | Fender kit for standard units only | 50 | 430.00 |

Standard Accessories: Jack Stand. Operator controlled, spring-loaded quick release with Auto-Relatch.
Adjustable and spring-loaded rear bin stops. Removable spindles. Greasable and replaceable trailer pivot pins

ORDERS@TGSCHMEISER.COM

T. G. SCHMEISER CO., INC.

Contact Information



PLANT ADDRESS - 8135 E. DINUBA AVE., SELMA, CA 93662

MAILING ADDRESS - P.O. BOX 1392, SELMA, CA 93662

1 (800) 288-8128

TGSchmeiser.com

Hours of Business

Shipping and Receiving: 8am to 4:30pm

Office Hours:

We are closed for lunch 12pm to 12:30pm

Please Note: Truckload shipments must arrive for loading prior to 3pm

ITEMS MAY BE SUBJECT TO A POTENTIAL TARIFF CHARGE


5808 Hwy #9, Harriston, Ontario, N0G 1Z0
Phone: 519-338-2923, Fax: 519-338-2756
Email: sales@harcoag.ca
www.harcoag.ca




Sept 2025-RUL120 removed

DEL MORINO ROTARY TILLERS, LAWN ROLLERS



| TANGO | Standard Features |
|---|--|
|  | <ul style="list-style-type: none"> ▪ Cat 1 three point hitch ▪ Aluminum gearbox 540 rpm ▪ 4 tines per row ▪ Shear bolt PTO shaft cat 2 |

| Model # | Working Width | Engine HP | Wt (lbs) | Price (Cdn) |
|-----------|---------------|-----------|----------|-------------|
| Tango 105 | 42" | 12 – 30 | 290 | \$1,977.00 |
| Tango 125 | 50" | 12 – 30 | 308 | \$2,061.00 |

| FLASH | Standard Features |
|---|--|
|  | <ul style="list-style-type: none"> ▪ Cat 1 three point ▪ 2 corner gearboxes, shear bolt protection ▪ 4 tines per flange ▪ Adjustable skid shoes ▪ Cat 1 PTO shaft |

| Model # | Working Width | Engine HP | Wt (lbs) | Price (Cdn) |
|-----------|---------------|-----------|----------|-------------|
| Flash 85 | 34" | 12 – 25 | 260 | \$2,260.00 |
| Flash 96 | 38" | 12 – 25 | 282 | \$2,337.00 |
| Flash 105 | 42" | 12 – 25 | 287 | \$2,369.00 |
| Flash 125 | 50" | 12 – 25 | 309 | \$2,446.00 |

PRICED IN CANADIAN DOLLARS


PRICES ARE FOB HARRISTON, ONTARIO – DESIGN & PRICE ARE SUBJECT TO CHANGE WITHOUT NOTICE

5808 Hwy #9, Harriston, Ontario, N0G 1Z0
Phone: 519-338-2923, Fax: 519-338-2756
Email: sales@harcoag.ca
www.harcoag.ca




Sept 2025-RUL120 removed

DEL MORINO ROTARY TILLERS, LAWN ROLLERS

| EAGLE | Standard Features |
|---|---|
|  | <ul style="list-style-type: none"> ▪ Cat 1 three point ▪ Cast iron gearbox ▪ 6 tines per row ▪ Cat 4 PTO with slip clutch |

| Model # | Working Width | Engine HP | Wt (lbs) | Price (Cdn) |
|--------------|---------------|-----------|----------|-------------|
| Eagle 125-ZF | 50" | 12 – 50 | 414 | \$3,323.00 |
| Eagle 165-ZF | 62" | 12 – 50 | 492 | \$3,691.00 |

| URT – HF | Standard Features |
|---|---|
|  | <ul style="list-style-type: none"> ▪ Cat 2 three point ▪ Cast iron gearbox ▪ 100 series drive chain – oil bath ▪ 6 tines per flange ▪ Adjustable skid shoes ▪ Series 4 PTO with slip clutch |

| Model # | Working Width | Engine HP | Wt (lbs) | Price (Cdn) |
|------------|---------------|-----------|----------|-------------|
| URT-HF 150 | 59" | 30 – 70 | 640 | \$4,948.00 |
| URT-HF 168 | 67" | 30 – 70 | 705 | \$5,110.00 |
| URT-HF 186 | 71" | 30 – 70 | 728 | \$5,344.00 |
| URT-HF 204 | 81" | 30 – 70 | 798 | \$5,988.00 |
| URT-HF 222 | 87" | 30 – 70 | 840 | \$6,212.00 |

'Other models available, call for pricing'

PRICED IN CANADIAN DOLLARS

PRICES ARE FOB HARRISTON, ONTARIO – DESIGN & PRICE ARE SUBJECT TO CHANGE WITHOUT NOTICE


5808 Hwy #9, Harriston, Ontario, N0G 1Z0
Phone: 519-338-2923, Fax: 519-338-2756
Email: sales@harcoag.ca
www.harcoag.ca



Sept 2025-RUL120 removed

DEL MORINO ROTARY TILLERS, LAWN ROLLERS



| HRA | Standard Features |
|---|--|
|  | <ul style="list-style-type: none"> ▪ Cat 2 three point hitch ▪ Cast Iron gearbox 540 rpm ▪ 6 tines per row ▪ Universal PTO shaft cat 5 w/slip clutch ▪ Reinforced 3 PTO frame |

| Model # | Working Width | Engine HP | Wt (lbs) | Price (Cdn) |
|---------|---------------|-----------|----------|-------------|
| HRA 225 | 90" | 50 – 95 | 1415 | \$10,449.00 |
| HRA 250 | 100" | 50 – 95 | 1521 | \$11,175.00 |

DEL MORINO LAWN ROLLERS

| LAWN ROLLERS | Standard Features |
|---|---|
|  | <ul style="list-style-type: none"> ▪ Cat 1 & 2, 3 Point ▪ Scraper ▪ Water tight for filling ▪ 15.75" diameter (400mm) |

| Model # | Working Width | Engine HP | Wt (lbs) | Price (Cdn) |
|---------|---------------|-----------|----------|-------------|
| RUL-150 | 60" | 20 – 50 | 243 | \$1,610.00 |
| RUL-170 | 68" | 20 – 50 | 276 | \$1,772.00 |

Discounted Item – Contact us for exclusive pricing.

PRICED IN CANADIAN DOLLARS

PRICES ARE FOB HARRISTON, ONTARIO – DESIGN & PRICE ARE SUBJECT TO CHANGE WITHOUT NOTICE

ATHENS

EFFECTIVE JANUARY, 2026

*Please Note: Commencing January 2026 a surcharge of 10% applies to this current 2026 price list. Items may be subject to a potential tariff charge.



WHOLEGOODS PRICE LIST



5808 Hwy #9, Harriston, Ontario, N0G 1Z0
519-338-2923, sales@harcoag.ca
www.harcoag.ca

ATHENS PLOW COMPANY, INC.
P.O. BOX 609
ATHENS, TENNESSEE 37371-0609
TELEPHONE 423-744-PLOW (7569)
WATS 1-800-535-3852
FAX 1-423-744-7218

WWW.ATHENSPLOW.COM

TERMS AND DISCOUNTS FOR WHOLEGOODS ATHENS PLOW COMPANY, INC.

Eligible Items:

Items eligible for Wholegoods Discounts are serial-numbered units and extra equipment accessories ordered with or for that unit.

Trade Discount for Eligible Wholegoods Items:

- Regular Open Account – 25%
- Preseason (90 days) – 25%

Cash Discounts:

- A. Regular Open Account - 5% if paid 30 days from date of invoice. Net 31.
- B. Regular Preseason - 10% if paid 30 days from date of invoice. Net 31.
- C. Volume Discount:
 - a) 5% extra cash discount for orders more than \$100,000 (open account) @ list, if paid 30 days from date of invoice.
 - b) 5% extra cash discount for additional wholegoods for the remainder of the calendar year.
- D. No discount will be allowed on current invoices if any invoices are past due.
- E. Government Agency Discount applies to all units. Government Agency Discount is an additional 5% (Maximum discount of 5% Cash and Government). Government discount applies if paid 30 days from date of invoice. A copy of the Government Purchase Order must accompany the dealer remittance to earn the special discount. Eligible agencies include any department of Federal, State, County or City Government, Soil Conservation, Fish and/or Wildlife, Drainage and Water Districts.

GENERAL STATEMENTS AS TO TERMS AND DISCOUNTS

No cash discount is allowed on warranty pending items.

Payment is due immediately for retailed units: units that have been removed from dealer's main place of business, items that have been used or not adequately protected against devaluation, or due date of invoice, whichever is earlier.

Past due invoices are subject to a 1.5% per month interest charge or the maximum allowable per law, whichever is less.

It is the dealer's responsibility to see that discounted payments reach our office on or before the due dates specified to receive discounts.

All prices are F.O.B. Athens Plow Company.

RETURNED GOODS

WHOLEGOODS

Returns must be approved by Athens Plow Co., Inc. When approved for return, the dealer must prepay shipping costs. Credit will be issued at original invoice amount less applicable cash discount. There will be a restocking charge of 20%.

MERCHANDISE RECEIPT

Any variation between items ordered and shipped and actual items received must be reported to Athens Plow as soon as the variation is recognized and no later than 30 days after receipt of shipment.

All shipments are made F.O.B. our Shipping Dock. All claims regarding the errors, shortages, and/or damages in shipment are the responsibility of the consignee and should be filed with the delivering carrier.

WARRANTY POLICY GUIDE ATHENS PLOW COMPANY, INC.

A. The Purpose of Warranty

Warranty assures the purchaser that should a defect in material or workmanship occur during the warranty period, Athens Plow Company, Inc. will assume specific repair responsibilities, as listed in the warranty statement. The warranty statement is to be provided to each purchaser of each piece of new equipment. Warranty begins on the date the product is delivered to the original purchaser of the product. Once the warranty period has begun, it cannot be stopped or interrupted.

B. Dealer Responsibilities

The following responsibilities are to be performed when the dealer delivers a product to the purchaser or otherwise places it into warranty service:

1. Complete the Warranty Registration Form and forward to Athens Plow Company, Inc. within 30 days of the sale of the product. Warranty reimbursement is contingent upon product registration.
2. Review warranty statement, operator's manual, and complete delivery report with purchaser to assure understanding of purchaser's responsibilities as related to warranty, service, and the proper and safe operation of the product. The purchaser should be advised to have failed parts repaired or replaced immediately upon failure and that continued use will result in additional damage and excessive wear.
3. Contact the manufacturer prior to beginning repair or replacement of failed parts to make certain that the cost of repairs are consistent with the value of the product when sold. Warranty requests for units in dealer's inventory may be submitted to Athens Plow Company, Inc. when defects are noted in the product prior to the retail sale of that unit.
4. Provide warranty and service repairs as directed by Athens Plow Company, Inc. instructions.
5. All warranty work must be completed within 30 days of failure. Notify Athens Plow Company, Inc. if repairs will require more than 30 days after failure for an extension. No claim will be accepted for warranties that exceed this 30-day period.
6. No warranty will be allowed on units delivered to the retail customer prior to the full payment of that unit to the manufacturer by the dealer.
7. If diagnostic time is required, contact Athens Plow Company, Inc. prior to beginning the warranty repair for approval. Travel time reimbursement must be approved by Athens Plow Company, Inc. prior to beginning the warranty repair.

C. Athens Plow Company's Responsibilities

1. Reimbursement for parts used in warranty repair will be credited only when the parts are purchased from Athens Plow Company, Inc. Parts will be credited at dealer's net cost. No warranty will be allowed on parts that are past due.
2. Dealer should use parts from their parts inventory first. In the event that parts must be shipped from Athens Plow Company, Inc., freight will be paid for by Athens Plow Company, Inc. and will be shipped by the most economical means to arrive in the shortest possible time. Air, Next Day Air, Priority, and other special shipment methods requested by the dealer will be at the customer's expense.
3. Warranty Labor Reimbursement for labor expense to the dealer is made by payment of \$50.00 per shop hour. Repair times will be reviewed by Athens Plow Company, Inc. and may be adjusted to average repair time required by other dealers to make similar repairs.
4. Reimbursements for repairs made by outside sources (not dealer personal) will be made for those services deemed necessary for the resolution of the warranty by Athens Plow Company, Inc. Outside repair invoices must have approval from Athens Plow Company, Inc. and must be attached to the warranty claim after approval.

D. Other Warranty Provisions

The following guidelines are to be followed when performing warranty repairs:

1. In all cases, the most economical repair should be performed unless otherwise directed. Credit will not be allowed for assemblies if it is practical to make the repair with individual parts. In some cases, the assembly price may be less than the total of the parts and labor required to complete the repair. In those cases, an assembly may be used.
2. Only those parts provided by Athens Plow Company, Inc. are covered under warranty. The use of parts from other sources will not be eligible for warranty consideration.
3. All parts removed during warranty repair should be held for a period of 60 days after the warranty claim has been submitted to Athens Plow Company, Inc. These parts can be discarded if the return request has not been made during this period. Parts that are returned upon request to Athens Plow Company, Inc. for which credit has not been issued can be returned upon dealer request within 30 days of claim disposition. These parts will be discarded after the 30-day period.
4. Athens Plow Company, Inc. reserves the right to deny or reverse all warranty claims for parts, labor, or miscellaneous charges when errors are found, warranty provisions are abused, or fraudulent claims are submitted.

5. Warranty reimbursement is not possible:
 - a. If parts returned are not cleaned and properly identified, or if they are damaged in return shipment due to poor packaging.
 - b. When failure falls under the "limitations" as identified in the Warranty Statement.
 - c. When Athens Plow Company, Inc. has requested the return of certain parts, assemblies, or information and has not received material within 30 days of date posted on return request.
 - d. On claims due to damage or shortage that are obviously the responsibility of the dealer or the delivering carrier.
 - e. On the entire claim when the warranty policy and provisions are not followed.

All dealers will warranty their technician's work to the purchaser and will indemnify Athens Plow Company Inc. from all such claims.

E. Use of Photos

Pictures should be attached to the dealer's claim when their inclusion will help identify the condition of the part being repaired or replaced, and thus assisting in the approval of the claim. In some cases, the use of photos may eliminate the need to return parts for evaluation. Photos will not be returned unless specifically requested.

F. Delayed Warranty Repairs

Warranty repairs should be scheduled and performed as soon as possible after notification to dealer and Athens Plow Company, Inc. There may be circumstances that require the use of the product for a short period of time by the retail customer or the availability of repair parts necessary to complete the repairs will require the work to extend past the 30-day period. In those cases, the dealer must notify Athens Plow Company, Inc. of the extenuating circumstance and advise that the continued use of the product will not enlarge the warranty claim. These claims will then be processed as if the product is still within the warranty period.

G. Denied Claims

Dealers will be notified of a denied claim that will state the reason for the denial. The dealer has the right to appeal this claim and must do so within 30 days of notification of denial. If there has been no appeal within the 30-day period, the Claim will be considered closed.

LIMITED WARRANTY STATEMENT

Athens Plow Company, Inc. warrants each new Athens Plow Company, Inc. product to be free from defects in material and Workmanship. This warranty is applicable only for the normal service life expectancy of the product or components, not to exceed twelve consecutive months from the date of delivery of the new Athens Plow Company, Inc. product to the original purchaser. Athens Plow Company, Inc. reserves the right to make improvements in design or changes in specifications at any time, without incurring any obligation to owners of units previously sold.

Our obligation under this warranty shall be limited to repairing or replacing, free of charge to the original purchaser, any part that, in our judgment, shall show evidence of such defect, provided further that such part shall be returned within thirty (30) days from date of failure to Athens Plow Company, Inc., routed through the dealer from whom the purchase was made, transportation charges prepaid.

This warranty shall not be interpreted to render Athens Plow Company, Inc. liable for injury or damages of any kind or nature to person or property. This warranty does not extend to the loss of crops, loss because of delay in harvesting, or any expense or loss incurred for labor, substitute machinery, rental or for any other reason. Except as set forth above, Athens Plow Company, Inc. shall have no obligation or liability of any kind on account of any of its equipment and shall not be liable for special or consequential damages. Athens Plow Company, Inc. makes no other warranty, expressed or implied, and, specifically, Athens Plow Company, Inc. disclaims any implied warranty or merchantability or fitness for a particular purpose. Some states or provinces do not permit limitations or exclusions of implied warranties or incidental or consequential damages, so the limitations or exclusions in this warranty may not apply.

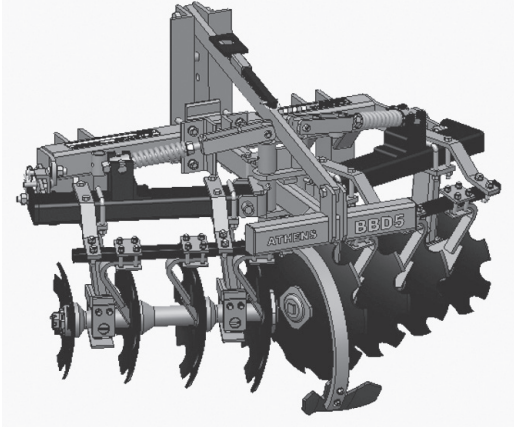
This warranty is subject to any existing conditions of supply which may directly affect our ability to obtain materials or manufacture replacement parts.

No one is authorized to alter, modify, or enlarge this warranty nor the exclusion, limitations, and reservations.

TABLE OF CONTENTS

| MODEL NUMBER | PAGE |
|-------------------------------|------|
| LIFT TYPE DISK HARROWS | |
| MODEL BBD5 | 1 |
| MODEL 37 | 2 |
| MODEL 47 | 3 |
| MODEL 52 | 5 |
| MODEL 55 | 7 |
| MODEL 65 | 10 |
| MODEL 66 | 12 |
| PULL TYPE DISK HARROWS | |
| Tandem | |
| MODEL 62 | 15 |
| MODEL 93 | 26 |
| MODEL 153 | 29 |
| Double Offsets | |
| MODEL 76 | 19 |
| MODEL 77 | 23 |
| MODEL 116 | 30 |
| MODEL 119 | 33 |
| Offsets | |
| MODEL 97 | 35 |
| MODEL 107 | 37 |
| MODEL 127 | 38 |
| MODEL 167 | 41 |
| MODEL 137 | 44 |
| MODEL 187 | 46 |
| MODEL 287 | 48 |
| CHISEL PLOW | |
| MODEL 156 | 49 |
| LEVEE PLOW | |
| MODEL 220 | 52 |

ATHENS BBD5/BBD6 LIFT-TYPE DISK HARROW

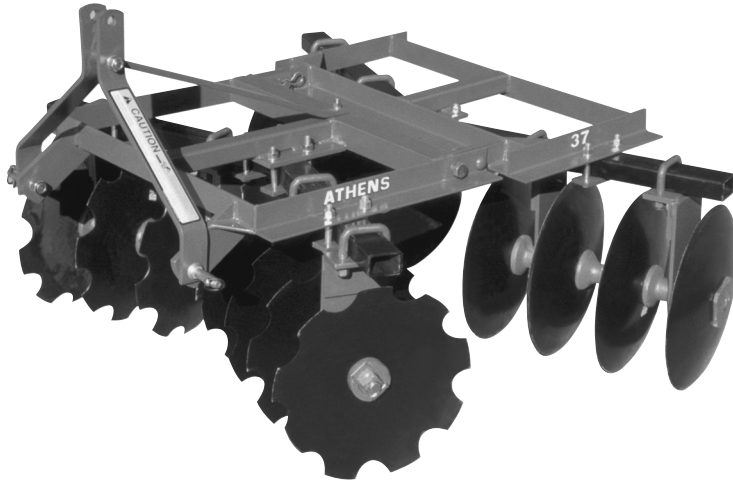


SPECIFICATIONS:

Cutting Width – 5' 0" & 6' 6"
 Disc Spacing – 9"
 Disc Diameter – 22" C/O Tapered
 Cat. II Free Link or Quick Coupler
 Relube Ball Bearings
 Rigid or Spring Bearing Hangers
 1 ¼" Cold Rolled Square Gang Axle
 with Gang Wrench
 Adjustable Angle of Cut 15° and 18°
 Heavy Duty Scrapers
 Balk Buster

| <u>MODEL NUMBER</u> | <u>DISC DIAM</u> | <u>TYPE OF DISC</u> | <u>DISC THICK</u> | <u># OF DISC</u> | <u>DISC SPACING</u> | <u># OF BRGS</u> | <u>APX WT</u> | <u>SUGST PRICE</u> |
|---------------------|------------------|---------------------|-------------------|------------------|---------------------|------------------|---------------|--------------------|
| <u>5' 0" WIDE</u> | | | | | | | | |
| BBD5-0827-65T | 22" Tap | C/O | .197 | 8 | 9" | 4 | 985 | \$6,027 |
| <u>6' 6" WIDE</u> | | | | | | | | |
| BBD6-1027-65T | 22" Tap | C/O | .197 | 10 | 9" | 4 | 1017 | \$6,418 |

ATHENS 37 LIFT-TYPE DISK HARROW



SPECIFICATIONS:

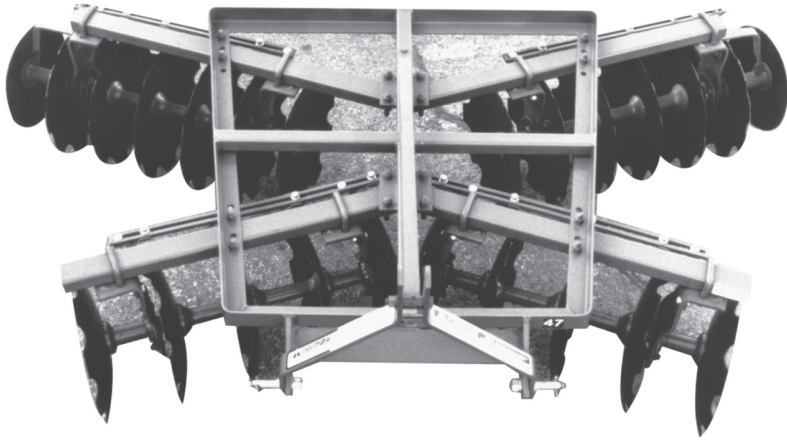
Cutting Width – 5' 2" to 6' 5"
 Disc Spacing – 7", 9", or 9"F & 7"R
 Discs – 18" Diameter, C/O or SM

STANDARD EQUIPMENT:

Category I Hitch
 Adjustable Angle of Cut
 1" High Carbon Steel Square Axles
 Factory Assembled Gangs
 Triple-Lip Sealed Ball Bearings

| <u>MODEL NUMBER</u> | <u>DISC DIAM</u> | <u>TYPE OF DISC</u> | | <u>DISC THCK</u> | <u># OF DISC</u> | <u>DISC SPACING</u> | | <u># OF BRGS</u> | <u>APX WT</u> | <u>SUGST PRICE</u> |
|---------------------|------------------|---------------------|------|------------------|------------------|---------------------|------|------------------|---------------|--------------------|
| | | FRNT | REAR | | | FRNT | REAR | | | |
| <u>5' 2" WIDE</u> | | | | | | | | | | |
| 037-1611-010 | 18" | C.O. | C.O. | .118 | 16 | 7" | 7" | 8 | 624 | \$2,814 |
| 037-1611-110 | 18" | SM. | SM. | .118 | 16 | 7" | 7" | 8 | 640 | \$2,805 |
| 037-1611-410 | 18" | C.O. | SM. | .118 | 16 | 7" | 7" | 8 | 632 | \$2,793 |
| <u>6' 3" WIDE</u> | | | | | | | | | | |
| 037-1621-010 | 18" | C.O. | C.O. | .118 | 16 | 9" | 9" | 8 | 654 | \$2,869 |
| 037-1621-110 | 18" | SM. | SM. | .118 | 16 | 9" | 9" | 8 | 670 | \$2,850 |
| 037-1621-410 | 18" | C.O. | SM. | .118 | 16 | 9" | 9" | 8 | 662 | \$2,843 |
| <u>6' 5" WIDE</u> | | | | | | | | | | |
| 037-1831-010 | 18" | C.O. | C.O. | .118 | 18 | 9" | 7" | 8 | 680 | \$2,992 |
| 037-1831-110 | 18" | SM. | SM. | .118 | 18 | 9" | 7" | 8 | 698 | \$2,942 |
| 037-1831-410 | 18" | C.O. | SM. | .118 | 18 | 9" | 7" | 8 | 690 | \$2,968 |
| 037-2011-010 | 18" | C.O. | C.O. | .118 | 20 | 7" | 7" | 8 | 702 | \$3,117 |
| 037-2011-110 | 18" | SM. | SM. | .118 | 20 | 7" | 7" | 8 | 722 | \$3,070 |
| 037-2011-410 | 18" | C.O. | SM. | .118 | 20 | 7" | 7" | 8 | 712 | \$3,090 |

ATHENS 47 LIFT-TYPE DISK HARROW



SPECIFICATIONS:

Cutting Width – 6' 3" to 7' 9"
 Disc Spacing – 7", 9", or 9"F & 7"R
 Discs - 18" or 20" – C/O or SM

STANDARD EQUIPMENT:

Category I Hitch
 Adjustable Angle of Cut
 1" High Carbon Square Axles
 Factory Assembled Gangs
 Triple Lip Sealed Ball Bearings

| <u>MODEL NUMBER</u> | <u>DISC DIAM</u> | <u>TYPE OF DISC</u> | | <u>DISC THCK</u> | <u># OF DISC</u> | <u>DISC SPACING</u> | | <u># OF BRGS</u> | <u>APX WT</u> | <u>SUGST PRICE</u> |
|-------------------------|----------------------|---------------------|-------------|----------------------|----------------------|---------------------|-------------|----------------------|-------------------|------------------------|
| | | <u>FRNT</u> | <u>REAR</u> | | | <u>FRNT</u> | <u>REAR</u> | | | |
| <u>6' 3" WIDE</u> | | | | | | | | | | |
| 047-1621-010 | 18" | C.O. | C.O. | .118 | 16 | 9" | 9" | 8 | 664 | \$2,868 |
| 047-1621-020 | 20" | C.O. | C.O. | .138 | 16 | 9" | 9" | 8 | 712 | \$3,098 |
| 047-1621-110 | 18" | SM. | SM. | .118 | 16 | 9" | 9" | 8 | 680 | \$2,771 |
| 047-1621-120 | 20" | SM. | SM. | .118 | 16 | 9" | 9" | 8 | 712 | \$3,014 |
| 047-1621-410 | 18" | C.O. | SM. | .118 | 16 | 9" | 9" | 8 | 672 | \$2,814 |
| 047-1621-420 | 20" | C.O. | SM. | .138 | 16 | 9" | 9" | 8 | 712 | \$3,057 |
| <u>6' 5" WIDE</u> | | | | | | | | | | |
| 047-1831-010 | 18" | C.O. | C.O. | .118 | 18 | 9" | 7" | 8 | 690 | \$3,003 |
| 047-1831-020 | 20" | C.O. | C.O. | .138 | 18 | 9" | 7" | 8 | 744 | \$3,283 |
| 047-1831-110 | 18" | SM. | SM. | .118 | 18 | 9" | 7" | 8 | 708 | \$2,833 |
| 047-1831-120 | 20" | SM. | SM. | .118 | 18 | 9" | 7" | 8 | 744 | \$3,017 |
| 047-1831-410 | 18" | C.O. | SM. | .118 | 18 | 9" | 7" | 8 | 700 | \$2,919 |
| 047-1831-420 | 20" | C.O. | SM. | .138 | 18 | 9" | 7" | 8 | 744 | \$3,162 |
| 047-2011-010 | 18" | C.O. | C.O. | .118 | 20 | 7" | 7" | 8 | 712 | \$3,094 |
| 047-2011-020 | 20" | C.O. | C.O. | .138 | 20 | 7" | 7" | 8 | 772 | \$3,451 |
| 047-2011-110 | 18" | SM. | SM. | .118 | 20 | 7" | 7" | 8 | 732 | \$2,964 |
| 047-2011-120 | 20" | SM. | SM. | .118 | 20 | 7" | 7" | 8 | 772 | \$3,160 |
| 047-2011-410 | 18" | C.O. | SM. | .118 | 20 | 7" | 7" | 8 | 722 | \$3,028 |
| 047-2011-420 | 20" | C.O. | SM. | .138 | 20 | 7" | 7" | 8 | 772 | \$3,308 |

| <u>MODEL NUMBER</u> | <u>DISC DIAM</u> | <u>TYPE OF DISC</u> | | <u>DISC THCK</u> | <u># OF DISC</u> | <u>DISC SPACING</u> | | <u># OF BRGS</u> | <u>APX WT</u> | <u>SUGST PRICE</u> |
|---------------------|------------------|---------------------|-------------|------------------|------------------|---------------------|-------------|------------------|---------------|--------------------|
| | | <u>FRNT</u> | <u>REAR</u> | | | <u>FRNT</u> | <u>REAR</u> | | | |
| <u>7' 6" WIDE</u> | | | | | | | | | | |
| 047-2231-010 | 18" | C.O. | C.O. | .118 | 22 | 9" | 7" | 8 | 762 | \$3,333 |
| 047-2231-020 | 20" | C.O. | C.O. | .138 | 22 | 9" | 7" | 8 | 828 | \$3,664 |
| 047-2231-110 | 18" | SM. | SM. | .118 | 22 | 9" | 7" | 8 | 784 | \$3,132 |
| 047-2231-120 | 20" | SM. | SM. | .118 | 22 | 9" | 7" | 8 | 828 | \$3,346 |
| 047-2231-410 | 18" | C.O. | SM. | .118 | 22 | 9" | 7" | 8 | 773 | \$3,220 |
| 047-2231-420 | 20" | C.O. | SM. | .138 | 22 | 9" | 7" | 8 | 828 | \$3,379 |
| 047-2411-010 | 18" | C.O. | C.O. | .118 | 24 | 7" | 7" | 8 | 782 | \$3,447 |
| 047-2411-020 | 20" | C.O. | C.O. | .138 | 24 | 7" | 7" | 8 | 854 | \$3,808 |
| 047-2411-110 | 18" | SM. | SM. | .118 | 24 | 7" | 7" | 8 | 806 | \$3,223 |
| 047-2411-120 | 20" | SM. | SM. | .118 | 24 | 7" | 7" | 8 | 854 | \$3,454 |
| 047-2411-410 | 18" | C.O. | SM. | .118 | 24 | 7" | 7" | 8 | 794 | \$3,334 |
| 047-2411-420 | 20" | C.O. | SM. | .138 | 24 | 7" | 7" | 8 | 854 | \$3,630 |
| <u>7' 9" WIDE</u> | | | | | | | | | | |
| 047-2021-010 | 18" | C.O. | C.O. | .118 | 20 | 9" | 9" | 8 | 737 | \$3,094 |
| 047-2021-020 | 20" | C.O. | C.O. | .138 | 20 | 9" | 9" | 8 | 797 | \$3,399 |
| 047-2021-110 | 18" | SM. | SM. | .118 | 20 | 9" | 9" | 8 | 757 | \$2,914 |
| 047-2021-120 | 20" | SM. | SM. | .118 | 20 | 9" | 9" | 8 | 797 | \$3,107 |
| 047-2021-410 | 18" | C.O. | SM. | .118 | 20 | 9" | 9" | 8 | 747 | \$3,002 |
| 047-2021-420 | 20" | C.O. | SM. | .138 | 20 | 9" | 9" | 8 | 797 | \$3,258 |

ATHENS 52 LIFT-TYPE DISK HARROW



SPECIFICATIONS:

Cutting Width 6' 6", 7' 0", 7' 11", and 8' 2"

Disc Spacing 7 1/2", 9", or 9" F & 7 1/2" R

Disc Diameter 18" or 20" C/O or SM

Cat. I Free Link

Relube Ball Bearings

Flangette Bearing Hangers

1 1/8" Cold Rolled Square Gang Axle
with Gang Wrench

Adjustable Angle of Cut 15° and 18°

Heavy Duty Scrapers (Extra Equipment)

Cover Discs (Extra Equipment)

| <u>MODEL NUMBER</u> | <u>DISC DIA</u> | <u>TYPE OF DISC</u> | | <u>DISC THICK</u> | <u># OF DISC</u> | <u>DISC SPACING</u> | | <u># OF BRGS</u> | <u>APX WT</u> | <u>SUGST PRICE</u> |
|-------------------------|---------------------|---------------------|-------------|-----------------------|----------------------|---------------------|-------------|----------------------|-------------------|------------------------|
| | | <u>FRT</u> | <u>REAR</u> | | | <u>FRT</u> | <u>REAR</u> | | | |
| <u>6' 6" WIDE</u> | | | | | | | | | | |
| 052-1622-211 | 18" | C/O | C/O | .138 | 16 | 9" | 9" | 8 | 823 | \$4,041 |
| 052-1622-311 | 18" | SM | SM | .138 | 16 | 9" | 9" | 8 | 855 | \$3,956 |
| 052-1622-511 | 18" | C/O | SM | .138 | 16 | 9" | 9" | 8 | 839 | \$3,989 |
| 052-1622-221 | 20" | C/O | C/O | .148 | 16 | 9" | 9" | 8 | 868 | \$4,324 |
| 052-1622-321 | 20" | SM | SM | .148 | 16 | 9" | 9" | 8 | 904 | \$4,248 |
| 052-1622-521 | 20" | C/O | SM | .148 | 16 | 9" | 9" | 8 | 886 | \$4,271 |
| <u>7' 0" WIDE</u> | | | | | | | | | | |
| 052-1832-211 | 18" | C/O | C/O | .138 | 18 | 9" | 7-1/2" | 8 | 872 | \$4,225 |
| 052-1832-311 | 18" | SM | SM | .138 | 18 | 9" | 7-1/2" | 8 | 908 | \$4,113 |
| 052-1832-511 | 18" | C/O | SM | .138 | 18 | 9" | 7-1/2" | 8 | 892 | \$4,179 |
| 052-1832-221 | 20" | C/O | C/O | .148 | 18 | 9" | 7-1/2" | 8 | 922 | \$4,551 |
| 052-1832-321 | 20" | SM | SM | .148 | 18 | 9" | 7-1/2" | 8 | 962 | \$4,402 |
| 052-1832-521 | 20" | C/O | SM | .148 | 18 | 9" | 7-1/2" | 8 | 944 | \$4,476 |
| 052-2012-211 | 18" | C/O | C/O | .138 | 20 | 7-1/2" | 7-1/2" | 8 | 898 | \$4,415 |
| 052-2012-311 | 18" | SM | SM | .138 | 20 | 7-1/2" | 7-1/2" | 8 | 938 | \$4,281 |
| 052-2012-511 | 18" | C/O | SM | .138 | 20 | 7-1/2" | 7-1/2" | 8 | 918 | \$4,362 |
| 052-2012-221 | 20" | C/O | C/O | .148 | 20 | 7-1/2" | 7-1/2" | 8 | 954 | \$4,773 |
| 052-2012-321 | 20" | SM | SM | .148 | 20 | 7-1/2" | 7-1/2" | 8 | 998 | \$4,606 |
| 052-2012-521 | 20" | C/O | SM | .148 | 20 | 7-1/2" | 7-1/2" | 8 | 976 | \$4,683 |

| <u>MODEL NUMBER</u> | <u>DISC DIAM</u> | <u>TYPE OF DISC</u> | | <u>DISC THICK</u> | <u># OF DISC</u> | <u>DISC SPACING</u> | | <u># OF BRGS</u> | <u>APX WT</u> | <u>SUGST PRICE</u> |
|---------------------|------------------|---------------------|------|-------------------|------------------|---------------------|--------|------------------|---------------|--------------------|
| | | FRT | REAR | | | FRT | REAR | | | |
| <u>7' 11" WIDE</u> | | | | | | | | | | |
| 052-2022-211 | 18" | C/O | C/O | .138 | 20 | 9" | 9" | 8 | 926 | \$4,723 |
| 052-2022-311 | 18" | SM | SM | .138 | 20 | 9" | 9" | 8 | 966 | \$4,423 |
| 052-2022-511 | 18" | C/O | SM | .138 | 20 | 9" | 9" | 8 | 946 | \$4,515 |
| 052-2022-221 | 20" | C/O | C/O | .148 | 20 | 9" | 9" | 8 | 982 | \$4,918 |
| 052-2022-321 | 20" | SM | SM | .148 | 20 | 9" | 9" | 8 | 1026 | \$4,753 |
| 052-2022-521 | 20" | C/O | SM | .148 | 20 | 9" | 9" | 8 | 1004 | \$4,845 |
| <u>8' 2" WIDE</u> | | | | | | | | | | |
| 052-2232-211 | 18" | C/O | C/O | .138 | 22 | 9" | 7-1/2" | 8 | 946 | \$4,721 |
| 052-2232-311 | 18" | SM | SM | .138 | 22 | 9" | 7-1/2" | 8 | 990 | \$4,606 |
| 052-2232-511 | 18" | C/O | SM | .138 | 22 | 9" | 7-1/2" | 8 | 970 | \$4,678 |
| 052-2232-221 | 20" | C/O | C/O | .148 | 22 | 9" | 7-1/2" | 8 | 1008 | \$5,139 |
| 052-2232-321 | 20" | SM | SM | .148 | 22 | 9" | 7-1/2" | 8 | 1057 | \$4,960 |
| 052-2232-521 | 20" | C/O | SM | .148 | 22 | 9" | 7-1/2" | 8 | 1035 | \$5,050 |
| 052-2412-211 | 18" | C/O | C/O | .138 | 24 | 7-1/2" | 7-1/2" | 8 | 966 | \$4,934 |
| 052-2412-311 | 18" | SM | SM | .138 | 24 | 7-1/2" | 7-1/2" | 8 | 1014 | \$4,777 |
| 052-2412-511 | 18" | C/O | SM | .138 | 24 | 7-1/2" | 7-1/2" | 8 | 990 | \$4,849 |
| 052-2412-221 | 20" | C/O | C/O | .148 | 24 | 7-1/2" | 7-1/2" | 8 | 1033 | \$5,362 |
| 052-2412-321 | 20" | SM | SM | .148 | 24 | 7-1/2" | 7-1/2" | 8 | 1086 | \$5,102 |
| 052-2412-521 | 20" | C/O | SM | .148 | 24 | 7-1/2" | 7-1/2" | 8 | 1060 | \$5,275 |

EXTRA EQUIPMENT

| SCRAPERS | WIDTH | SPACING | APPROX. WEIGHT | SUGST PRICE |
|--------------|--------|---------------|----------------|-------------|
| 9-052-916220 | 6' 6" | 9" | 122# | \$493 |
| 9-052-918320 | 7' 0" | 9" F 7 1/2" R | 131# | \$553 |
| 9-052-920120 | 7' 0" | 7 1/2" | 140# | \$579 |
| 9-052-920220 | 7' 11" | 9" | 147# | \$639 |
| 9-052-922320 | 8' 2" | 9" F 7 1/2" R | 157# | \$679 |
| 9-052-924120 | 8' 2" | 7 1/2" | 166# | \$723 |

| COVER DISCS | DESCRIPTION | APPROX. WEIGHT | SUGST PRICE |
|--------------|-------------------------------------|----------------|-------------|
| 9-052-700016 | Cover Discs w/o Scraper w/ 16" Disc | 34# | \$259 |
| 9-052-709016 | Cover Discs w/ Scraper w/ 16" Disc | 43# | \$302 |

OPTIONAL EQUIPMENT

TO SPECIFY CAT. II IN LIEU OF CAT I, CHANGE THE 10TH DIGIT FROM 1 TO 2.

NO CHARGE

ATHENS 55 LIFT-TYPE DISK HARROW

SPECIFICATIONS:

Cutting Width 6' 6" to 9' 4"
 Disc spacing 7 ½", 9" or
 9" Front & 7 ½" Rear
 20" or 22" Discs – Cutout or Smooth
 Heavy Duty Scrapers (Extra Equip.)
 Category I or II Hitch
 Relube Ball Bearings

STANDARD EQUIPMENT:

Category II Hitch
 1 ⅛" Cold Rolled Square Axles
 w/ Gang Wrench
 Tapered Outside Rear Disc Gangs
 Factory Assembled Gangs
 Adjustable Angle of Cut
 Flangette Bearing Hangers
 Relube Ball Bearings



| <u>MODEL NUMBER</u> | <u>DISC DIAM</u> | <u>TYPE OF DISC</u> FRNT REAR | <u>DISC THCK</u> | <u># OF DISC</u> | <u>DISC SPACING</u> FRNT REAR | <u># OF BRGS</u> | <u>APX WT</u> | <u>SUGST PRICE</u> |
|---------------------|------------------|----------------------------------|------------------|------------------|----------------------------------|------------------|---------------|--------------------|
| <u>6' 6" WIDE</u> | | | | | | | | |
| 055-1622-222 | 20" | C.O. C.O. | .138 | 16 | 9" 9" | 8 | 1006 | \$5,008 |
| 055-1622-642 | 22" | C.O. C.O. | .177 | 16 | 9" 9" | 8 | 1054 | \$5,309 |
| 055-1622-322 | 20" | SM. SM. | .138 | 16 | 9" 9" | 8 | 1024 | \$4,912 |
| 055-1622-742 | 22" | SM. SM. | .177 | 16 | 9" 9" | 8 | 1072 | \$5,228 |
| 055-1622-522 | 20" | C.O. SM. | .138 | 16 | 9" 9" | 8 | 1014 | \$4,949 |
| 055-1622-842 | 22" | C.O. SM. | .177 | 16 | 9" 9" | 8 | 1063 | \$5,250 |
| <u>7' 0" WIDE</u> | | | | | | | | |
| 055-1832-222 | 20" | C.O. C.O. | .138 | 18 | 9" 7-1/2" | 8 | 1039 | \$5,203 |
| 055-1832-642 | 22" | C.O. C.O. | .177 | 18 | 9" 7-1/2" | 8 | 1096 | \$5,552 |
| 055-1832-322 | 20" | SM. SM. | .138 | 18 | 9" 7-1/2" | 8 | 1058 | \$5,081 |
| 055-1832-742 | 22" | SM. SM. | .177 | 18 | 9" 7-1/2" | 8 | 1117 | \$5,393 |
| 055-1832-522 | 20" | C.O. SM. | .138 | 18 | 9" 7-1/2" | 8 | 1049 | \$5,155 |
| 055-1832-842 | 22" | C.O. SM. | .177 | 18 | 9" 7-1/2" | 8 | 1108 | \$5,471 |
| 055-2012-222 | 20" | C.O. C.O. | .138 | 20 | 7-1/2" 7-1/2" | 8 | 1072 | \$5,405 |
| 055-2012-642 | 22" | C.O. C.O. | .177 | 20 | 7-1/2" 7-1/2" | 8 | 1138 | \$5,790 |
| 055-2012-322 | 20" | SM. SM. | .138 | 20 | 7-1/2" 7-1/2" | 8 | 1092 | \$5,266 |
| 055-2012-742 | 22" | SM. SM. | .177 | 20 | 7-1/2" 7-1/2" | 8 | 1161 | \$5,610 |
| 055-2012-522 | 20" | C.O. SM. | .138 | 20 | 7-1/2" 7-1/2" | 8 | 1081 | \$5,351 |
| 055-2012-842 | 22" | C.O. SM. | .177 | 20 | 7-1/2" 7-1/2" | 8 | 1149 | \$5,695 |

| <u>MODEL NUMBER</u> | <u>DISC DIAM</u> | <u>TYPE OF DISC</u> | | <u>DISC THCK</u> | <u># OF DISC</u> | <u>DISC SPACING</u> | | <u># OF BRGS</u> | <u>APX WT</u> | <u>SUGST PRICE</u> |
|---------------------|------------------|---------------------|-------------|------------------|------------------|---------------------|-------------|------------------|---------------|--------------------|
| | | <u>FRNT</u> | <u>REAR</u> | | | <u>FRNT</u> | <u>REAR</u> | | | |
| <u>7' 11" WIDE</u> | | | | | | | | | | |
| 055-2022-222 | 20" | C.O. | C.O. | .138 | 20 | 9" | 9" | 8 | 1125 | \$5,733 |
| 055-2022-642 | 22" | C.O. | C.O. | .177 | 20 | 9" | 9" | 8 | 1192 | \$5,943 |
| 055-2022-322 | 20" | SM. | SM. | .138 | 20 | 9" | 9" | 8 | 1146 | \$5,414 |
| 055-2022-742 | 22" | SM. | SM. | .177 | 20 | 9" | 9" | 8 | 1215 | \$5,768 |
| 055-2022-522 | 20" | C.O. | SM. | .138 | 20 | 9" | 9" | 8 | 1135 | \$5,513 |
| 055-2022-842 | 22" | C.O. | SM. | .177 | 20 | 9" | 9" | 8 | 1203 | \$5,867 |
| <u>8' 2" WIDE</u> | | | | | | | | | | |
| 055-2232-222 | 20" | C.O. | C.O. | .138 | 22 | 9" | 7-1/2" | 8 | 1155 | \$5,733 |
| 055-2232-642 | 22" | C.O. | C.O. | .177 | 22 | 9" | 7-1/2" | 8 | 1232 | \$6,182 |
| 055-2232-322 | 20" | SM. | SM. | .138 | 22 | 9" | 7-1/2" | 8 | 1179 | \$5,610 |
| 055-2232-742 | 22" | SM. | SM. | .177 | 22 | 9" | 7-1/2" | 8 | 1257 | \$5,988 |
| 055-2232-522 | 20" | C.O. | SM. | .138 | 22 | 9" | 7-1/2" | 8 | 1168 | \$5,687 |
| 055-2232-842 | 22" | C.O. | SM. | .177 | 22 | 9" | 7-1/2" | 8 | 1245 | \$6,085 |
| 055-2412-222 | 20" | C.O. | C.O. | .138 | 24 | 7-1/2" | 7-1/2" | 8 | 1185 | \$5,959 |
| 055-2412-642 | 22" | C.O. | C.O. | .177 | 24 | 7-1/2" | 7-1/2" | 8 | 1271 | \$6,420 |
| 055-2412-322 | 20" | SM. | SM. | .138 | 24 | 7-1/2" | 7-1/2" | 8 | 1211 | \$5,795 |
| 055-2412-742 | 22" | SM. | SM. | .177 | 24 | 7-1/2" | 7-1/2" | 8 | 1299 | \$6,140 |
| 055-2412-522 | 20" | C.O. | SM. | .138 | 24 | 7-1/2" | 7-1/2" | 8 | 1198 | \$5,872 |
| 055-2412-842 | 22" | C.O. | SM. | .177 | 24 | 7-1/2" | 7-1/2" | 8 | 1285 | \$6,325 |
| <u>9' 4" WIDE</u> | | | | | | | | | | |
| 055-2422-222 | 20" | C.O. | C.O. | .138 | 24 | 9" | 9" | 8 | 1249 | \$5,926 |
| 055-2422-642 | 22" | C.O. | C.O. | .177 | 24 | 9" | 9" | 8 | 1335 | \$6,397 |
| 055-2422-322 | 20" | SM. | SM. | .138 | 24 | 9" | 9" | 8 | 1275 | \$5,762 |
| 055-2422-742 | 22" | SM. | SM. | .177 | 24 | 9" | 9" | 8 | 1363 | \$6,001 |
| 055-2422-522 | 20" | C.O. | SM. | .138 | 24 | 9" | 9" | 8 | 1262 | \$5,859 |
| 055-2422-842 | 22" | C.O. | SM. | .177 | 24 | 9" | 9" | 8 | 1349 | \$6,288 |
| 055-2632-222 | 20" | C.O. | C.O. | .138 | 26 | 9" | 7-1/2" | 8 | 1289 | \$6,140 |
| 055-2632-642 | 22" | C.O. | C.O. | .177 | 26 | 9" | 7-1/2" | 8 | 1385 | \$6,636 |
| 055-2632-322 | 20" | SM. | SM. | .138 | 26 | 9" | 7-1/2" | 8 | 1317 | \$5,949 |
| 055-2632-742 | 22" | SM. | SM. | .177 | 26 | 9" | 7-1/2" | 8 | 1415 | \$6,400 |
| 055-2632-522 | 20" | C.O. | SM. | .138 | 26 | 9" | 7-1/2" | 8 | 1304 | \$6,042 |
| 055-2632-842 | 22" | C.O. | SM. | .177 | 26 | 9" | 7-1/2" | 8 | 1401 | \$6,518 |
| 055-2812-222 | 20" | C.O. | C.O. | .138 | 28 | 7-1/2" | 7-1/2" | 8 | 1301 | \$6,330 |
| 055-2812-642 | 22" | C.O. | C.O. | .177 | 28 | 7-1/2" | 7-1/2" | 8 | 1406 | \$6,879 |
| 055-2812-322 | 20" | SM. | SM. | .138 | 28 | 7-1/2" | 7-1/2" | 8 | 1331 | \$6,140 |
| 055-2812-742 | 22" | SM. | SM. | .177 | 28 | 7-1/2" | 7-1/2" | 8 | 1439 | \$6,628 |
| 055-2812-522 | 20" | C.O. | SM. | .138 | 28 | 7-1/2" | 7-1/2" | 8 | 1316 | \$6,246 |
| 055-2812-842 | 22" | C.O. | SM. | .177 | 28 | 7-1/2" | 7-1/2" | 8 | 1422 | \$6,762 |

| <u>EXTRA EQUIPMENT</u> | <u>WIDTH</u> | <u>SPACING</u> | <u>APX WT</u> | <u>SUGST PRICE</u> |
|------------------------|--------------|----------------|-------------------|------------------------|
| 9-055-916220 SCRAPERS | 6' 6" | 9" | 122# | \$606 |
| 9-055-918320 SCRAPERS | 7' 0" | 9"F 7-1/2"R | 131# | \$677 |
| 9-055-920120 SCRAPERS | 7' 0" | 7-1/2" | 140# | \$708 |
| 9-055-920220 SCRAPERS | 7' 11" | 9" | 147# | \$782 |
| 9-055-922320 SCRAPERS | 8' 2" | 9"F 7-1/2"R | 157# | \$826 |
| 9-055-924120 SCRAPERS | 8' 2" | 7-1/2" | 166# | \$885 |
| 9-055-924220 SCRAPERS | 9' 4" | 9" | 175# | \$885 |
| 9-055-926320 SCRAPERS | 9' 4" | 9"F 7-1/2"R | 184# | \$921 |
| 9-055-928120 SCRAPERS | 9' 4" | 7-1/2" | 193# | \$977 |

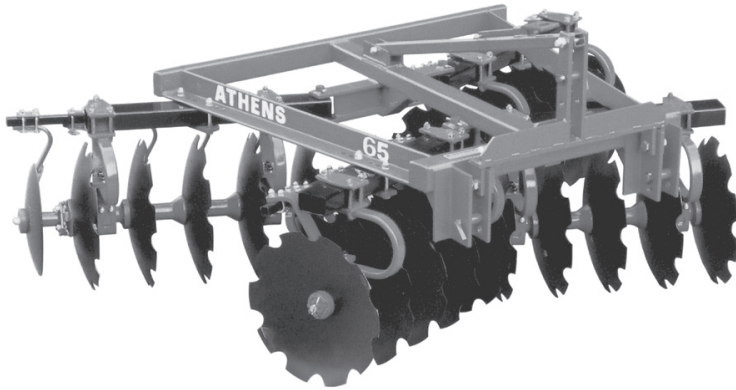
| <u>EXTRA EQUIPMENT</u> | <u>APX WT</u> | <u>SUGST PRICE</u> |
|---|-------------------|------------------------|
| 9-055-700016 COVER DISC W/O SCRAPER W/ 16" DISC | 34# | \$259 |
| 9-055-709016 COVER DISC W/ SCRAPERS W/ 16" DISC | 43# | \$302 |
| 9-055-800000 BALK BUSTER | 38# | \$282 |

OPTIONAL EQUIPMENT:

TO SPECIFY CAT. #1 IN LIEU OF CAT.#II, CHANGE
10TH DIGIT FROM 2 TO 1

NO CHARGE

ATHENS 65 LIFT-TYPE DISK HARROW



SPECIFICATIONS:

Cutting Width 8', 8' 4", & 9' 6"
 Spacing 9", or 9" Frt & 7 1/2" Rear
 Disc Diameter - 22" or 24" C/O or SM
 Rigid or Spring Bearing Hangers
 Cat. II Free Link/Quick Coupler
 Relube Ball Bearings
 1 1/4" Cold Rolled Square Axle
 with Gang Wrench

| <u>MODEL NUMBER</u> | <u>DISC DIAM</u> | <u>TYPE OF DISC</u> | | <u>DISC THCK</u> | <u># OF DISC</u> | <u>DISC SPACING</u> | | <u># OF BRGS</u> | <u>APX WT</u> | <u>SUGST PRICE</u> |
|---------------------|------------------|---------------------|------|------------------|------------------|---------------------|--------|------------------|---------------|--------------------|
| | | FRNT | REAR | | | FRNT | REAR | | | |
| <u>8' 0" WIDE</u> | | | | | | | | | | |
| 065-2027-650 | 22" | C.O. | C.O. | .197 | 20 | 9" | 9" | 8 | 1710 | \$8,171 |
| 065-2027-660 | 24" | C.O. | C.O. | .197 | 20 | 9" | 9" | 8 | 1770 | \$8,631 |
| 065-2027-750 | 22" | SM. | SM. | .197 | 20 | 9" | 9" | 8 | 1730 | \$8,127 |
| 065-2027-760 | 24" | SM. | SM. | .197 | 20 | 9" | 9" | 8 | 1790 | \$8,529 |
| 065-2027-850 | 22" | C.O. | SM. | .197 | 20 | 9" | 9" | 8 | 1720 | \$8,150 |
| 065-2027-860 | 24" | C.O. | SM. | .197 | 20 | 9" | 9" | 8 | 1780 | \$8,579 |
| <u>8' 4" WIDE</u> | | | | | | | | | | |
| 065-2237-650 | 22" | C.O. | C.O. | .197 | 22 | 9" | 7-1/2" | 8 | 1762 | \$8,594 |
| 065-2237-750 | 22" | SM. | SM. | .197 | 22 | 9" | 7-1/2" | 8 | 1784 | \$8,539 |
| 065-2237-850 | 22" | C.O. | SM. | .197 | 22 | 9" | 7-1/2" | 8 | 1774 | \$8,560 |
| <u>9' 6" WIDE</u> | | | | | | | | | | |
| 065-2427-650 | 22" | C.O. | C.O. | .197 | 24 | 9" | 9" | 8 | 1872 | \$8,945 |
| 065-2427-660 | 24" | C.O. | C.O. | .197 | 24 | 9" | 9" | 8 | 1944 | \$9,488 |
| 065-2427-750 | 22" | SM. | SM. | .197 | 24 | 9" | 9" | 8 | 1896 | \$8,887 |
| 065-2427-760 | 24" | SM. | SM. | .197 | 24 | 9" | 9" | 8 | 1968 | \$9,371 |
| 065-2427-850 | 22" | C.O. | SM. | .197 | 24 | 9" | 9" | 8 | 1884 | \$8,914 |
| 065-2427-860 | 24" | C.O. | SM. | .197 | 24 | 9" | 9" | 8 | 1956 | \$9,431 |
| 065-2637-650 | 22" | C.O. | C.O. | .197 | 26 | 9" | 7-1/2" | 8 | 1914 | \$9,074 |
| 065-2637-750 | 22" | SM. | SM. | .197 | 26 | 9" | 7-1/2" | 8 | 1940 | \$9,278 |
| 065-2637-850 | 22" | C.O. | SM. | .197 | 26 | 9" | 7-1/2" | 8 | 1954 | \$9,308 |

OPTIONAL EQUIPMENT

For Spring Bearing Hangers:
 Change the 7th Digit from 7 to 6 and Add 15#
 and \$79.00 per Bearing Weights and Prices.

(CONT'D)

EXTRA EQUIPMENT

SCRAPERS

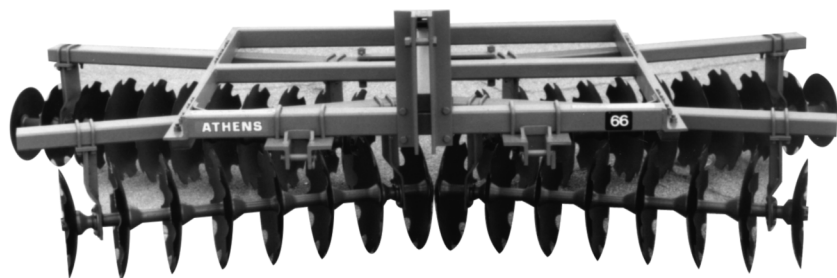
| | | <u>SPACING</u> | <u>APX WT</u> | <u>SUGST PRICE</u> |
|---------------|--------------------------|----------------|-------------------|------------------------|
| 9-065-920270 | Scrapers for 8' 0" Units | 9" | 226 | \$895 |
| *9-065-920260 | | 9" | 244 | \$961 |
| 9-065-922370 | Scrapers for 8' 4" Units | 9"F 7-1/2"R | 241 | \$952 |
| *9-065-922360 | | 9"F 7-1/2"R | 259 | \$1,023 |
| 9-065-924270 | Scrapers for 9' 6" Units | 9" | 265 | \$1,050 |
| *9-065-924260 | | 9" | 283 | \$1,119 |
| 9-065-926370 | Scrapers for 9' 6" Units | 9"F 7-1/2"R | 280 | \$1,107 |
| *9-065-926360 | | 9"F 7-1/2"R | 298 | \$1,176 |

*For Units with Spring Bearing Hangers

COVER DISC

| | | | | |
|--------------|---|--|----|-------|
| 9-065-700018 | Cover Disc Assembly with 18" Disc w/o Scraper | | 40 | \$319 |
| 9-065-709018 | Cover Disc Assembly with 18" Disc w/ Scraper | | 56 | \$369 |
| 9-065-800000 | Balk Buster | | 23 | \$238 |

ATHENS 66 LIFT-TYPE DISK HARROW



SPECIFICATIONS:

Cutting Width 10' 6" to 15' 3"
 Disc Spacing 7 ½", 9" or
 9" Front & 7 ½" Rear
 Disc Diameter – 20" or 22" C/O or SM
 Heavy Duty Scrapers (Extra
 Equipment)
 Category II or III Free Link
 or Quick Coupler Hitch

STANDARD EQUIPMENT:

1 ⅛" Cold Rolled Square Axle
 Relube Ball Bearings
 Flangette Bearing Hangers
 Adjustable Angle of Cut 16° to 21°
 Tapered Outside Rear Disk Gangs

| <u>MODEL NUMBER</u> | <u>DISC DIAM</u> | <u>TYPE OF DISC</u> FRNT REAR | <u>DISC THCK</u> | <u># OF DISC</u> | <u>DISC SPACING</u> FRNT REAR | | <u># OF BRGS</u> | <u>APX WT</u> | <u>SUGST PRICE</u> |
|---------------------------|------------------|----------------------------------|------------------|------------------|----------------------------------|--------|------------------|---------------|--------------------|
| <u>10' 6" WIDE</u> | | | | | | | | | |
| 066-3032-222 | 20" | C.O. C.O. | .138 | 30 | 9" | 7-1/2" | 8 | 1924 | \$8,958 |
| 066-3032-642 | 22" | C.O. C.O. | .177 | 30 | 9" | 7-1/2" | 8 | 2039 | \$9,497 |
| 066-3032-322 | 20" | SM. SM. | .138 | 30 | 9" | 7-1/2" | 8 | 1957 | \$9,116 |
| 066-3032-742 | 22" | SM. SM. | .177 | 30 | 9" | 7-1/2" | 8 | 2074 | \$9,199 |
| 066-3032-522 | 20" | C.O. SM. | .138 | 30 | 9" | 7-1/2" | 8 | 1941 | \$9,041 |
| 066-3032-842 | 22" | C.O. SM. | .177 | 30 | 9" | 7-1/2" | 8 | 2057 | \$9,579 |
| 066-3212-222 | 20" | C.O. C.O. | .138 | 32 | 7-1/2" | 7-1/2" | 8 | 1947 | \$9,067 |
| 066-3212-642 | 22" | C.O. C.O. | .177 | 32 | 7-1/2" | 7-1/2" | 8 | 2071 | \$9,645 |
| 066-3212-322 | 20" | SM. SM. | .138 | 32 | 7-1/2" | 7-1/2" | 8 | 1982 | \$9,234 |
| 066-3212-742 | 22" | SM. SM. | .177 | 32 | 7-1/2" | 7-1/2" | 8 | 2109 | \$9,822 |
| 066-3212-522 | 20" | C.O. SM. | .138 | 32 | 7-1/2" | 7-1/2" | 8 | 1964 | \$9,145 |
| 066-3212-842 | 22" | C.O. SM. | .177 | 32 | 7-1/2" | 7-1/2" | 8 | 2090 | \$9,729 |
| <u>10' 9" WIDE</u> | | | | | | | | | |
| 066-2822-222 | 20" | C.O. C.O. | .138 | 28 | 9" | 9" | 8 | 1901 | \$8,852 |
| 066-2822-642 | 22" | C.O. C.O. | .177 | 28 | 9" | 9" | 8 | 2006 | \$9,342 |
| 066-2822-322 | 20" | SM. SM. | .138 | 28 | 9" | 9" | 8 | 1933 | \$9,004 |
| 066-2822-742 | 22" | SM. SM. | .177 | 28 | 9" | 9" | 8 | 2039 | \$9,497 |
| 066-2822-522 | 20" | C.O. SM. | .138 | 28 | 9" | 9" | 8 | 1916 | \$8,925 |
| 066-2822-842 | 22" | C.O. SM. | .177 | 28 | 9" | 9" | 8 | 2022 | \$9,414 |

| <u>MODEL NUMBER</u> | <u>DISC DIAM</u> | <u>TYPE OF DISC</u> | | <u>DISC THCK</u> | <u># OF DISC</u> | <u>DISC SPACING</u> | | <u># OF BRGS</u> | <u>APX WT</u> | <u>SUGST PRICE</u> |
|---------------------|------------------|---------------------|------|------------------|------------------|---------------------|--------|------------------|---------------|--------------------|
| | | FRNT | REAR | | | FRNT | REAR | | | |
| <u>12' 2" WIDE</u> | | | | | | | | | | |
| 066-3222-221 | 20" | C.O. | C.O. | .138 | 32 | 9" | 9" | 12 | 2044 | \$9,308 |
| 066-3222-641 | 22" | C.O. | C.O. | .177 | 32 | 9" | 9" | 12 | 2180 | \$10,101 |
| 066-3222-321 | 20" | SM. | SM. | .138 | 32 | 9" | 9" | 12 | 2064 | \$9,035 |
| 066-3222-741 | 22" | SM. | SM. | .177 | 32 | 9" | 9" | 12 | 2216 | \$9,754 |
| 066-3222-521 | 20" | C.O. | SM. | .138 | 32 | 9" | 9" | 12 | 2058 | \$9,167 |
| 066-3222-841 | 22" | C.O. | SM. | .177 | 32 | 9" | 9" | 12 | 2197 | \$9,923 |
| <u>12' 11" WIDE</u> | | | | | | | | | | |
| 066-3632-221 | 20" | C.O. | C.O. | .138 | 36 | 9" | 7-1/2" | 12 | 2103 | \$9,521 |
| 066-3632-641 | 22" | C.O. | C.O. | .177 | 36 | 9" | 7-1/2" | 12 | 2257 | \$10,231 |
| 066-3632-321 | 20" | SM. | SM. | .138 | 36 | 9" | 7-1/2" | 12 | 2234 | \$9,238 |
| 066-3632-741 | 22" | SM. | SM. | .177 | 36 | 9" | 7-1/2" | 12 | 2298 | \$9,947 |
| 066-3632-521 | 20" | C.O. | SM. | .138 | 36 | 9" | 7-1/2" | 12 | 2219 | \$9,293 |
| 066-3632-841 | 22" | C.O. | SM. | .177 | 36 | 9" | 7-1/2" | 12 | 2279 | \$10,139 |
| 066-4012-221 | 20" | C.O. | C.O. | .138 | 40 | 7-1/2" | 7-1/2" | 12 | 2161 | \$9,721 |
| 066-4012-641 | 22" | C.O. | C.O. | .177 | 40 | 7-1/2" | 7-1/2" | 12 | 2334 | \$10,569 |
| 066-4012-321 | 20" | SM. | SM. | .138 | 40 | 7-1/2" | 7-1/2" | 12 | 2195 | \$9,401 |
| 066-4012-741 | 22" | SM. | SM. | .177 | 40 | 7-1/2" | 7-1/2" | 12 | 2406 | \$10,147 |
| 066-4012-521 | 20" | C.O. | SM. | .138 | 40 | 7-1/2" | 7-1/2" | 12 | 2177 | \$9,604 |
| 066-4012-841 | 22" | C.O. | SM. | .177 | 40 | 7-1/2" | 7-1/2" | 12 | 2356 | \$10,385 |
| <u>13' 6" WIDE</u> | | | | | | | | | | |
| 066-3622-221 | 20" | C.O. | C.O. | .138 | 36 | 9" | 9" | 12 | 2194 | \$10,170 |
| 066-3622-641 | 22" | C.O. | C.O. | .177 | 36 | 9" | 9" | 12 | 2298 | \$10,978 |
| 066-3622-321 | 20" | SM. | SM. | .138 | 36 | 9" | 9" | 12 | 2207 | \$9,901 |
| 066-3622-741 | 22" | SM. | SM. | .177 | 36 | 9" | 9" | 12 | 2328 | \$10,620 |
| 066-3622-521 | 20" | C.O. | SM. | .138 | 36 | 9" | 9" | 12 | 2200 | \$10,041 |
| 066-3622-841 | 22" | C.O. | SM. | .177 | 36 | 9" | 9" | 12 | 2313 | \$10,804 |
| <u>14' 1" WIDE</u> | | | | | | | | | | |
| 066-4032-221 | 20" | C.O. | C.O. | .138 | 40 | 9" | 7-1/2" | 12 | 2269 | \$10,385 |
| 066-4032-641 | 22" | C.O. | C.O. | .177 | 40 | 9" | 7-1/2" | 12 | 2387 | \$11,250 |
| 066-4032-321 | 20" | SM. | SM. | .138 | 40 | 9" | 7-1/2" | 12 | 2283 | \$10,067 |
| 066-4032-741 | 22" | SM. | SM. | .177 | 40 | 9" | 7-1/2" | 12 | 2421 | \$10,850 |
| 066-4032-521 | 20" | C.O. | SM. | .138 | 40 | 9" | 7-1/2" | 12 | 2276 | \$10,234 |
| 066-4032-841 | 22" | C.O. | SM. | .177 | 40 | 9" | 7-1/2" | 12 | 2405 | \$11,052 |
| 066-4412-221 | 20" | C.O. | C.O. | .138 | 44 | 7-1/2" | 7-1/2" | 12 | 2342 | \$10,526 |
| 066-4412-641 | 22" | C.O. | C.O. | .177 | 44 | 7-1/2" | 7-1/2" | 12 | 2476 | \$11,456 |
| 066-4412-321 | 20" | SM. | SM. | .138 | 44 | 7-1/2" | 7-1/2" | 12 | 2358 | \$10,190 |
| 066-4412-741 | 22" | SM. | SM. | .177 | 44 | 7-1/2" | 7-1/2" | 12 | 2513 | \$11,541 |
| 066-4412-521 | 20" | C.O. | SM. | .138 | 44 | 7-1/2" | 7-1/2" | 12 | 2349 | \$10,358 |
| 066-4412-841 | 22" | C.O. | SM. | .177 | 44 | 7-1/2" | 7-1/2" | 12 | 2495 | \$11,270 |

| <u>MODEL NUMBER</u> | <u>DISC DIAM</u> | <u>TYPE OF DISC</u> | | <u>DISC THCK</u> | <u># OF DISC</u> | <u>DISC SPACING</u> | | <u># OF BRGS</u> | <u>APX WT</u> | <u>SUGST PRICE</u> |
|---------------------|------------------|---------------------|------|------------------|------------------|---------------------|------|------------------|---------------|--------------------|
| | | FRNT | REAR | | | FRNT | REAR | | | |
| <u>15' 0" WIDE</u> | | | | | | | | | | |
| 066-4022-221 | 20" | C.O. | C.O. | .138 | 40 | 9" | 9" | 16 | 2326 | \$10,698 |
| 066-4022-641 | 22" | C.O. | C.O. | .177 | 40 | 9" | 9" | 16 | 2444 | \$11,667 |
| 066-4022-321 | 20" | SM. | SM. | .138 | 40 | 9" | 9" | 16 | 2340 | \$10,568 |
| 066-4022-741 | 22" | SM. | SM. | .177 | 40 | 9" | 9" | 16 | 2478 | \$11,180 |
| 066-4022-521 | 20" | C.O. | SM. | .138 | 40 | 9" | 9" | 16 | 2282 | \$10,635 |
| 066-4022-841 | 22" | C.O. | SM. | .177 | 40 | 9" | 9" | 16 | 2462 | \$11,420 |

15' 3" WIDE

| | | | | | | | | | | |
|--------------|-----|------|------|------|----|--------|--------|----|------|----------|
| 066-4432-221 | 20" | C.O. | C.O. | .138 | 44 | 9" | 7-1/2" | 16 | 2388 | \$11,088 |
| 066-4432-641 | 22" | C.O. | C.O. | .177 | 44 | 9" | 7-1/2" | 16 | 2522 | \$12,197 |
| 066-4432-321 | 20" | SM. | SM. | .138 | 44 | 9" | 7-1/2" | 16 | 2404 | \$10,956 |
| 066-4432-741 | 22" | SM. | SM. | .177 | 44 | 9" | 7-1/2" | 16 | 2559 | \$11,648 |
| 066-4432-521 | 20" | C.O. | SM. | .138 | 44 | 9" | 7-1/2" | 16 | 2397 | \$11,027 |
| 066-4432-841 | 22" | C.O. | SM. | .177 | 44 | 9" | 7-1/2" | 16 | 2542 | \$11,926 |
| 066-4812-221 | 20" | C.O. | C.O. | .138 | 48 | 7-1/2" | 7-1/2" | 16 | 2448 | \$11,489 |
| 066-4812-641 | 22" | C.O. | C.O. | .177 | 48 | 7-1/2" | 7-1/2" | 16 | 2598 | \$12,724 |
| 066-4812-321 | 20" | SM. | SM. | .138 | 48 | 7-1/2" | 7-1/2" | 16 | 2466 | \$11,353 |
| 066-4812-741 | 22" | SM. | SM. | .177 | 48 | 7-1/2" | 7-1/2" | 16 | 2638 | \$12,115 |
| 066-4812-521 | 20" | C.O. | SM. | .138 | 48 | 7-1/2" | 7-1/2" | 16 | 2457 | \$11,420 |
| 066-4812-841 | 22" | C.O. | SM. | .177 | 48 | 7-1/2" | 7-1/2" | 16 | 2618 | \$12,422 |

| <u>EXTRA EQUIPMENT</u> | <u>WIDTH</u> | <u>SPACING</u> | <u>APX WT</u> | <u>SUGST PRICE</u> | |
|------------------------|-------------------------|----------------|---------------|--------------------|---------|
| 9-066-928220 | SCRAPERS | 10' 9" | 9" | 336 | \$1,006 |
| 9-066-930320 | SCRAPERS | 10' 6" | 9"F 7-1/2"R | 360 | \$1,079 |
| 9-066-932120 | SCRAPERS | 10' 6" | 7-1/2" | 384 | \$1,151 |
| 9-066-932220 | SCRAPERS | 12' 2" | 9" | 390 | \$1,196 |
| 9-066-936320 | SCRAPERS | 12' 11" | 9"F 7-1/2"R | 422 | \$1,339 |
| 9-066-940120 | SCRAPERS | 12' 11" | 7-1/2" | 453 | \$1,491 |
| 9-066-936220 | SCRAPERS | 13' 6" | 9" | 428 | \$1,355 |
| 9-066-940320 | SCRAPERS | 14' 1" | 9"F 7-1/2"R | 459 | \$1,499 |
| 9-066-944120 | SCRAPERS | 14' 1" | 7-1/2" | 493 | \$1,655 |
| 9-066-940220 | SCRAPERS | 15' 0" | 9" | 463 | \$1,548 |
| 9-066-944320 | SCRAPERS | 15' 3" | 9"F 7-1/2"R | 489 | \$1,687 |
| 9-066-948120 | SCRAPERS | 15' 3" | 7-1/2" | 531 | \$1,834 |
| 9-066-700016 | COVER DISC W/O SCRAPERS | | | 34 | \$259 |
| 9-066-709016 | COVER DISC W/ SCRAPERS | | | 43 | \$302 |
| 9-066-800000 | BALK BUSTER | | | 23 | \$238 |

ATHENS 62 TANDEM DISK HARROW

SPECIFICATIONS:

Cutting Width – 7' 11" to 12' 11"

Spacing – 7 ½", 9" or

9" Front & 7 ½" Rear

Disc Diameter – 20" or 22" C/O or SM

Heavy Duty Scrapers (Extra Equip)

STANDARD EQUIPMENT

Heavy – Duty Tongue with Jack

15", 5 Lug Wheels w/ Hubs

Tapered Outside Rear Disc Gangs

1 ½" Cold Rolled Square Axles

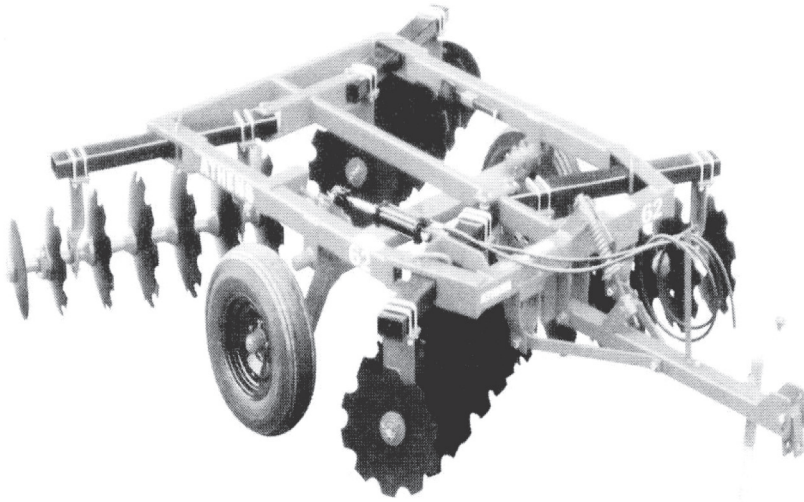
w/ Gang Wrench

Adjustable Angle of Cut

Flangette Bearing Hangers

Relube Ball Bearings

Lifting Hydraulics



| <u>MODEL NUMBER</u> | <u>DISC DIAM</u> | <u>TYPE OF DISC</u> | | <u>DISC THCK</u> | <u># OF DISC</u> | <u>DISC SPACING</u> | | <u># OF BRGS</u> | <u>APX WT</u> | <u>SUGST PRICE</u> |
|---------------------|------------------|---------------------|-------------|------------------|------------------|---------------------|-------------|------------------|---------------|--------------------|
| | | <u>FRNT</u> | <u>REAR</u> | | | <u>FRNT</u> | <u>REAR</u> | | | |
| <u>7' 11" WIDE</u> | | | | | | | | | | |
| 062-2022-221 | 20" | C.O. | C.O. | .138 | 20 | 9" | 9" | 8 | 1584 | \$9,164 |
| 062-2022-641 | 22" | C.O. | C.O. | .177 | 20 | 9" | 9" | 8 | 1643 | \$9,646 |
| 062-2022-321 | 20" | SM. | SM. | .138 | 20 | 9" | 9" | 8 | 1591 | \$8,992 |
| 062-2022-741 | 22" | SM. | SM. | .177 | 20 | 9" | 9" | 8 | 1646 | \$9,421 |
| 062-2022-521 | 20" | C.O. | SM. | .138 | 20 | 9" | 9" | 8 | 1588 | \$9,097 |
| 062-2022-841 | 22" | C.O. | SM. | .177 | 20 | 9" | 9" | 8 | 1645 | \$9,536 |
| <u>8' 2" WIDE</u> | | | | | | | | | | |
| 062-2232-221 | 20" | C.O. | C.O. | .138 | 22 | 9" | 7-1/2" | 8 | 1613 | \$9,402 |
| 062-2232-641 | 22" | C.O. | C.O. | .177 | 22 | 9" | 7-1/2" | 8 | 1680 | \$9,928 |
| 062-2232-321 | 20" | SM. | SM. | .138 | 22 | 9" | 7-1/2" | 8 | 1620 | \$9,220 |
| 062-2232-741 | 22" | SM. | SM. | .177 | 22 | 9" | 7-1/2" | 8 | 1682 | \$9,686 |
| 062-2232-521 | 20" | C.O. | SM. | .138 | 22 | 9" | 7-1/2" | 8 | 1617 | \$9,327 |
| 062-2232-841 | 22" | C.O. | SM. | .177 | 22 | 9" | 7-1/2" | 8 | 1682 | \$9,800 |
| 062-2412-221 | 20" | C.O. | C.O. | .138 | 24 | 7-1/2" | 7-1/2" | 8 | 1647 | \$9,646 |
| 062-2412-641 | 22" | C.O. | C.O. | .177 | 24 | 7-1/2" | 7-1/2" | 8 | 1741 | \$10,219 |
| 062-2412-321 | 20" | SM. | SM. | .138 | 24 | 7-1/2" | 7-1/2" | 8 | 1666 | \$9,435 |
| 062-2412-741 | 22" | SM. | SM. | .177 | 24 | 7-1/2" | 7-1/2" | 8 | 1768 | \$9,941 |
| 062-2412-521 | 20" | C.O. | SM. | .138 | 24 | 7-1/2" | 7-1/2" | 8 | 1655 | \$9,639 |
| 062-2412-841 | 22" | C.O. | SM. | .177 | 24 | 7-1/2" | 7-1/2" | 8 | 1754 | \$10,263 |

| MODEL NUMBER | DISC DIAM | TYPE OF DISC | | DISC THCK | # OF DISC | DISC SPACING | | # OF BRGS | APX WT | SUGST PRICE |
|--------------------|-----------|--------------|------|-----------|-----------|--------------|--------|-----------|--------|-------------|
| | | FRNT | REAR | | | FRNT | REAR | | | |
| <u>9' 4" WIDE</u> | | | | | | | | | | |
| 062-2422-221 | 20" | C.O. | C.O. | .138 | 24 | 9" | 9" | 8 | 1695 | \$9,609 |
| 062-2422-641 | 22" | C.O. | C.O. | .177 | 24 | 9" | 9" | 8 | 1789 | \$10,153 |
| 062-2422-321 | 20" | SM. | SM. | .138 | 24 | 9" | 9" | 8 | 1714 | \$9,402 |
| 062-2422-741 | 22" | SM. | SM. | .177 | 24 | 9" | 9" | 8 | 1816 | \$9,922 |
| 062-2422-521 | 20" | C.O. | SM. | .138 | 24 | 9" | 9" | 8 | 1703 | \$9,487 |
| 062-2422-841 | 22" | C.O. | SM. | .177 | 24 | 9" | 9" | 8 | 1802 | \$10,058 |
| 062-2632-221 | 20" | C.O. | C.O. | .138 | 26 | 9" | 7-1/2" | 8 | 1710 | \$9,853 |
| 062-2632-641 | 22" | C.O. | C.O. | .177 | 26 | 9" | 7-1/2" | 8 | 1824 | \$10,482 |
| 062-2632-321 | 20" | SM. | SM. | .138 | 26 | 9" | 7-1/2" | 8 | 1741 | \$9,622 |
| 062-2632-741 | 22" | SM. | SM. | .177 | 26 | 9" | 7-1/2" | 8 | 1853 | \$10,190 |
| 062-2632-521 | 20" | C.O. | SM. | .138 | 26 | 9" | 7-1/2" | 8 | 1730 | \$9,743 |
| 062-2632-841 | 22" | C.O. | SM. | .177 | 26 | 9" | 7-1/2" | 8 | 1839 | \$10,324 |
| 062-2812-221 | 20" | C.O. | C.O. | .138 | 28 | 7-1/2" | 7-1/2" | 8 | 1744 | \$10,091 |
| 062-2812-641 | 22" | C.O. | C.O. | .177 | 28 | 7-1/2" | 7-1/2" | 8 | 1858 | \$10,768 |
| 062-2812-321 | 20" | SM. | SM. | .138 | 28 | 7-1/2" | 7-1/2" | 8 | 1768 | \$9,840 |
| 062-2812-741 | 22" | SM. | SM. | .177 | 28 | 7-1/2" | 7-1/2" | 8 | 1800 | \$10,445 |
| 062-2812-521 | 20" | C.O. | SM. | .138 | 28 | 7-1/2" | 7-1/2" | 8 | 1755 | \$9,985 |
| 062-2812-841 | 22" | C.O. | SM. | .177 | 28 | 7-1/2" | 7-1/2" | 8 | 1874 | \$10,614 |
| <u>10' 6" WIDE</u> | | | | | | | | | | |
| 062-3032-221 | 20" | C.O. | C.O. | .138 | 30 | 9" | 7-1/2" | 8 | 1899 | \$10,832 |
| 062-3032-641 | 22" | C.O. | C.O. | .177 | 30 | 9" | 7-1/2" | 8 | 2023 | \$11,562 |
| 062-3032-321 | 20" | SM. | SM. | .138 | 30 | 9" | 7-1/2" | 8 | 1924 | \$10,560 |
| 062-3032-741 | 22" | SM. | SM. | .177 | 30 | 9" | 7-1/2" | 8 | 2057 | \$11,290 |
| 062-3032-521 | 20" | C.O. | SM. | .138 | 30 | 9" | 7-1/2" | 8 | 1911 | \$10,700 |
| 062-3032-841 | 22" | C.O. | SM. | .177 | 30 | 9" | 7-1/2" | 8 | 2041 | \$11,381 |
| 062-3212-221 | 20" | C.O. | C.O. | .138 | 32 | 7-1/2" | 7-1/2" | 8 | 1917 | \$11,051 |
| 062-3212-641 | 22" | C.O. | C.O. | .177 | 32 | 7-1/2" | 7-1/2" | 8 | 2051 | \$12,107 |
| 062-3212-321 | 20" | SM. | SM. | .138 | 32 | 7-1/2" | 7-1/2" | 8 | 1945 | \$10,933 |
| 062-3212-741 | 22" | SM. | SM. | .177 | 32 | 7-1/2" | 7-1/2" | 8 | 2088 | \$11,465 |
| 062-3212-521 | 20" | C.O. | SM. | .138 | 32 | 7-1/2" | 7-1/2" | 8 | 1930 | \$10,927 |
| 062-3212-841 | 22" | C.O. | SM. | .177 | 32 | 7-1/2" | 7-1/2" | 8 | 2069 | \$11,659 |
| <u>10' 9" WIDE</u> | | | | | | | | | | |
| 062-2822-221 | 20" | C.O. | C.O. | .138 | 28 | 9" | 9" | 8 | 1880 | \$10,592 |
| 062-2822-641 | 22" | C.O. | C.O. | .177 | 28 | 9" | 9" | 8 | 1995 | \$11,333 |
| 062-2822-321 | 20" | SM. | SM. | .138 | 28 | 9" | 9" | 8 | 1905 | \$10,353 |
| 062-2822-741 | 22" | SM. | SM. | .177 | 28 | 9" | 9" | 8 | 2026 | \$10,951 |
| 062-2822-521 | 20" | C.O. | SM. | .138 | 28 | 9" | 9" | 8 | 1891 | \$10,482 |
| 062-2822-841 | 22" | C.O. | SM. | .177 | 28 | 9" | 9" | 8 | 2010 | \$11,122 |

| MODEL NUMBER | DISC DIAM | TYPE OF DISC | | DISC THCK | # OF DISC | DISC SPACING | | # OF BRGS | APX WT | SUGST PRICE |
|---------------------|--------------|--------------|------|--------------|--------------|--------------|--------|--------------|-----------|----------------|
| | | FRNT | REAR | | | FRNT | REAR | | | |
| <u>12' 2" WIDE</u> | | | | | | | | | | |
| 062-3222-221 | 20" | C.O. | C.O. | .138 | 32 | 9" | 9" | 12 | 2166 | \$12,170 |
| 062-3222-641 | 22" | C.O. | C.O. | .177 | 32 | 9" | 9" | 12 | 2300 | \$12,965 |
| 062-3222-321 | 20" | SM. | SM. | .138 | 32 | 9" | 9" | 12 | 2184 | \$11,906 |
| 062-3222-741 | 22" | SM. | SM. | .177 | 32 | 9" | 9" | 12 | 2336 | \$12,598 |
| 062-3222-521 | 20" | C.O. | SM. | .138 | 32 | 9" | 9" | 12 | 2178 | \$12,049 |
| 062-3222-841 | 22" | C.O. | SM. | .177 | 32 | 9" | 9" | 12 | 2317 | \$12,789 |
| <u>12' 11" WIDE</u> | | | | | | | | | | |
| 062-3632-221 | 20" | C.O. | C.O. | .138 | 36 | 9" | 7-1/2" | 12 | 2223 | \$12,632 |
| 062-3632-641 | 22" | C.O. | C.O. | .177 | 36 | 9" | 7-1/2" | 12 | 2377 | \$13,508 |
| 062-3632-321 | 20" | SM. | SM. | .138 | 36 | 9" | 7-1/2" | 12 | 2354 | \$12,313 |
| 062-3632-741 | 22" | SM. | SM. | .177 | 36 | 9" | 7-1/2" | 12 | 2418 | \$13,099 |
| 062-3632-521 | 20" | C.O. | SM. | .138 | 36 | 9" | 7-1/2" | 12 | 2339 | \$12,468 |
| 062-3632-841 | 22" | C.O. | SM. | .177 | 36 | 9" | 7-1/2" | 12 | 2399 | \$13,301 |
| 062-4012-221 | 20" | C.O. | C.O. | .138 | 40 | 7-1/2" | 7-1/2" | 12 | 2281 | \$13,099 |
| 062-4012-641 | 22" | C.O. | C.O. | .177 | 40 | 7-1/2" | 7-1/2" | 12 | 2454 | \$14,098 |
| 062-4012-321 | 20" | SM. | SM. | .138 | 40 | 7-1/2" | 7-1/2" | 12 | 2315 | \$12,731 |
| 062-4012-741 | 22" | SM. | SM. | .177 | 40 | 7-1/2" | 7-1/2" | 12 | 2526 | \$13,613 |
| 062-4012-521 | 20" | C.O. | SM. | .138 | 40 | 7-1/2" | 7-1/2" | 12 | 2297 | \$12,936 |
| 062-4012-841 | 22" | C.O. | SM. | .177 | 40 | 7-1/2" | 7-1/2" | 12 | 2476 | \$13,846 |

| <u>EXTRA EQUIPMENT</u> | | <u>WIDTH</u> | <u>SPACING</u> | <u>APX WT</u> | <u>SUGST PRICE</u> |
|------------------------|----------|--------------|----------------|-------------------|------------------------|
| 9-062-920220 | SCRAPERS | 7' 11" | 9" | 177# | \$787 |
| 9-062-922320 | SCRAPERS | 8' 2" | 9" F 7-1/2"R | 196# | \$834 |
| 9-062-924120 | SCRAPERS | 8' 2" | 7-1/2" | 208# | \$895 |
| 9-062-924220 | SCRAPERS | 9' 4" | 9" | 214# | \$895 |
| 9-062-926320 | SCRAPERS | 9' 4" | 9" F 7-1/2"R | 231# | \$924 |
| 9-062-928120 | SCRAPERS | 9' 4" | 7-1/2" | 250# | \$990 |
| 9-062-932120 | SCRAPERS | 10' 6" | 7-1/2" | 296# | \$1,085 |
| 9-062-928220 | SCRAPERS | 10' 9" | 9" | 263# | \$983 |
| 9-062-930320 | SCRAPERS | 10' 6" | 9" F 7-1/2"R | 278# | \$1,047 |
| 9-062-932220 | SCRAPERS | 12' 2" | 9" | 305# | \$1,147 |
| 9-062-936320 | SCRAPERS | 12' 11" | 9" F 7-1/2"R | 337# | \$1,249 |
| 9-062-940120 | SCRAPERS | 12' 11" | 7-1/2" | 367# | \$1,350 |

EXTRA EQUIPMENT (CONT'D)

| | | APX | SUGST |
|--------------|-------------------------------------|-----------|--------------|
| | | <u>WT</u> | <u>PRICE</u> |
| 9-062-800000 | BALK BUSTER | 38# | \$282 |
| 9-062-700016 | COVER DISC W/O SCRAPERS W/ 16" DISC | 34# | \$259 |
| 9-062-709016 | COVER DISC W/ SCRAPERS W/ 16" DISC | 43# | \$302 |

RECOMMENDED TIRE SIZE: 9.5L x 15

CAUTION: TIRES ARE RATED AT 20 MPH MAXIMUM

***PRICE DOES NOT INCLUDE TIRES**

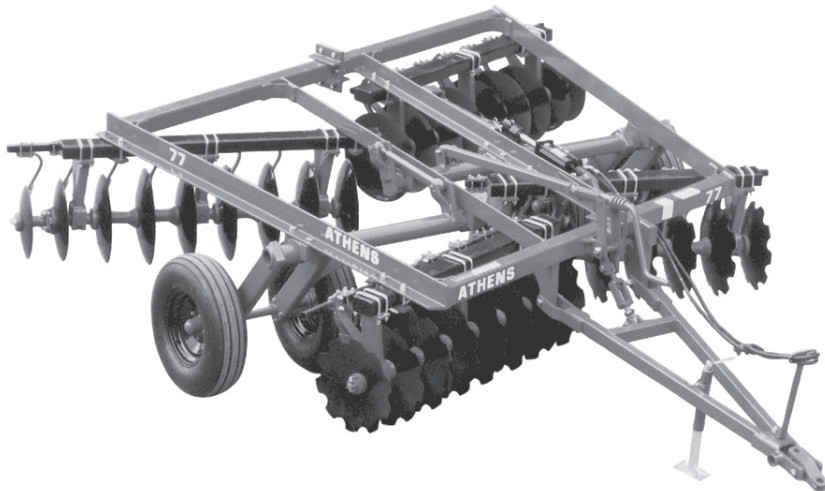
ATHENS 76R DOUBLE OFFSET HARROW

SPECIFICATIONS:

Cutting Width – 8' 10" to 15' 1"
 22" or 24" Discs, Cutout or Smooth
 Spacing 9", 7 ½", or 9"F & 7 ½"R
 Trunnion Mounted Housing with
 Relube Quadriseal Ball Bearings
 Spring or Rigid Bearing Hangers
 1 ¼" Sq. Cold Rolled Gang Axles

STANDARD EQUIPMENT:

Self-Leveling Frame
 "A" Frame Tongue w/Jack
 Heavy-Duty, Tubular Mtd Scrapers
 Cover Discs w/ Scrapers
 Split Wheel Carriages
 Lifting Hydraulics w/ Mech. Transport
 Adjustable Angle of Cut
 15" x 6" – 5 Lug Wheels w/ Hubs
 Tapered Front & Rear Disc Gangs



| <u>MODEL NUMBER</u> | <u>DISC DIAM</u> | <u>TYPE OF DISC</u> | | <u>DISC THCK</u> | <u># OF DISC</u> | <u>DISC SPACING</u> | | <u># OF BRGS</u> | <u>APX WT</u> | <u>SUGST PRICE</u> |
|----------------------------------|------------------|---------------------|-------------|------------------|------------------|---------------------|-------------|------------------|---------------|--------------------|
| | | <u>FRNT</u> | <u>REAR</u> | | | <u>FRNT</u> | <u>REAR</u> | | | |
| <u>8' 10" WIDE</u> | | | | | | | | | | |
| <u>W/ RIGID BEARING HANGERS</u> | | | | | | | | | | |
| 76R-2427-637 | 22" | C.O. | C.O. | .197 | 24 | 9" | 9" | 8 | 2694 | \$15,293 |
| 76R-2427-667 | 24" | C.O. | C.O. | .197 | 24 | 9" | 9" | 8 | 2840 | \$15,514 |
| 76R-2427-737 | 22" | SM. | SM. | .197 | 24 | 9" | 9" | 8 | 2714 | \$14,844 |
| 76R-2427-767 | 24" | SM. | SM. | .197 | 24 | 9" | 9" | 8 | 2870 | \$15,193 |
| 76R-2427-837 | 22" | C.O. | SM. | .197 | 24 | 9" | 9" | 8 | 2704 | \$15,907 |
| 76R-2427-867 | 24" | C.O. | SM. | .197 | 24 | 9" | 9" | 8 | 2853 | \$15,359 |
| 76R-2637-637 | 22" | C.O. | C.O. | .197 | 26 | 9" | 7-1/2" | 8 | 2752 | \$16,147 |
| 76R-2637-737 | 22" | SM. | SM. | .197 | 26 | 9" | 7-1/2" | 8 | 2783 | \$15,728 |
| 76R-2637-837 | 22" | C.O. | SM. | .197 | 26 | 9" | 7-1/2" | 8 | 2767 | \$15,934 |
| 76R-2817-637 | 22" | C.O. | C.O. | .197 | 28 | 7-1/2" | 7-1/2" | 8 | 2809 | \$16,537 |
| 76R-2817-737 | 22" | SM. | SM. | .197 | 28 | 7-1/2" | 7-1/2" | 8 | 2843 | \$16,083 |
| 76R-2817-837 | 22" | C.O. | SM. | .197 | 28 | 7-1/2" | 7-1/2" | 8 | 2825 | \$16,307 |
| <u>W/ SPRING BEARING HANGERS</u> | | | | | | | | | | |
| 76R-2426-657 | 22" | C.O. | C.O. | .197 | 24 | 9" | 9" | 8 | 2902 | \$15,340 |
| 76R-2426-757 | 22" | SM. | SM. | .197 | 24 | 9" | 9" | 8 | 3048 | \$15,117 |
| 76R-2426-857 | 22" | C.O. | SM. | .197 | 24 | 9" | 9" | 8 | 2922 | \$15,211 |
| 76R-2636-657 | 22" | C.O. | C.O. | .197 | 26 | 9" | 7-1/2" | 8 | 2968 | \$15,674 |
| 76R-2636-757 | 22" | SM. | SM. | .197 | 26 | 9" | 7-1/2" | 8 | 2999 | \$15,509 |
| 76R-2636-857 | 22" | C.O. | SM. | .197 | 26 | 9" | 7-1/2" | 8 | 2983 | \$15,590 |

| MODEL NUMBER | DISC DIAM | TYPE OF DISC | | DISC THCK | # OF DISC | DISC SPACING | | # OF BRGS | APX WT | SUGST PRICE |
|----------------------------------|--------------|--------------|------|--------------|--------------|--------------|--------|--------------|-----------|----------------|
| | | FRNT | REAR | | | FRNT | REAR | | | |
| <u>10' 3" WIDE</u> | | | | | | | | | | |
| <u>W/ RIGID BEARING HANGERS</u> | | | | | | | | | | |
| 76R-2827-637 | 22" | C.O. | C.O. | .197 | 28 | 9" | 9" | 8 | 2885 | \$16,579 |
| 76R-2827-667 | 24" | C.O. | C.O. | .197 | 28 | 9" | 9" | 8 | 3056 | \$16,836 |
| 76R-2827-737 | 22" | SM. | SM. | .197 | 28 | 9" | 9" | 8 | 2911 | \$16,122 |
| 76R-2827-767 | 24" | SM. | SM. | .197 | 28 | 9" | 9" | 8 | 3092 | \$16,494 |
| 76R-2827-837 | 22" | C.O. | SM. | .197 | 28 | 9" | 9" | 8 | 2898 | \$16,351 |
| 76R-2827-867 | 24" | C.O. | SM. | .197 | 28 | 9" | 9" | 8 | 3073 | \$16,669 |
| 76R-3037-637 | 22" | C.O. | C.O. | .197 | 30 | 9" | 7-1/2" | 8 | 2943 | \$16,970 |
| 76R-3037-737 | 22" | SM. | SM. | .197 | 30 | 9" | 7-1/2" | 8 | 2979 | \$16,487 |
| 76R-3037-837 | 22" | C.O. | SM. | .197 | 30 | 9" | 7-1/2" | 8 | 2961 | \$16,713 |
| 76R-3217-637 | 22" | C.O. | C.O. | .197 | 32 | 7-1/2" | 7-1/2" | 8 | 3012 | \$16,982 |
| 76R-3217-737 | 22" | SM. | SM. | .197 | 32 | 7-1/2" | 7-1/2" | 8 | 3051 | \$16,697 |
| 76R-3217-837 | 22" | C.O. | SM. | .197 | 32 | 7-1/2" | 7-1/2" | 8 | 3031 | \$16,736 |
| <u>W/ SPRING BEARING HANGERS</u> | | | | | | | | | | |
| 76R-2826-657 | 22" | C.O. | C.O. | .197 | 28 | 9" | 9" | 8 | 3105 | \$16,512 |
| 76R-2826-757 | 22" | SM. | SM. | .197 | 28 | 9" | 9" | 8 | 3131 | \$16,320 |
| 76R-2826-857 | 22" | C.O. | SM. | .197 | 28 | 9" | 9" | 8 | 3118 | \$16,419 |
| 76R-3036-657 | 22" | C.O. | C.O. | .197 | 30 | 9" | 7-1/2" | 8 | 3175 | \$16,836 |
| 76R-3036-757 | 22" | SM. | SM. | .197 | 30 | 9" | 7-1/2" | 8 | 3211 | \$16,344 |
| 76R-3036-857 | 22" | C.O. | SM. | .197 | 30 | 9" | 7-1/2" | 8 | 3352 | \$16,597 |
| 76R-3216-657 | 22" | C.O. | C.O. | .197 | 32 | 7-1/2" | 7-1/2" | 8 | 3252 | \$17,164 |
| 76R-3216-757 | 22" | SM. | SM. | .197 | 32 | 7-1/2" | 7-1/2" | 8 | 3291 | \$16,673 |
| 76R-3216-857 | 22" | C.O. | SM. | .197 | 32 | 7-1/2" | 7-1/2" | 8 | 3352 | \$16,916 |
| <u>11' 1" WIDE</u> | | | | | | | | | | |
| <u>W/ RIGID BEARING HANGERS</u> | | | | | | | | | | |
| 76R-3437-637 | 22" | C.O. | C.O. | .197 | 34 | 9" | 7-1/2" | 12 | 3205 | \$19,050 |
| 76R-3437-737 | 22" | SM. | SM. | .197 | 34 | 9" | 7-1/2" | 12 | 3247 | \$18,487 |
| 76R-3437-837 | 22" | C.O. | SM. | .197 | 34 | 9" | 7-1/2" | 12 | 3227 | \$18,762 |
| 76R-3617-637 | 22" | C.O. | C.O. | .197 | 36 | 7-1/2" | 7-1/2" | 12 | 3251 | \$19,499 |
| 76R-3617-737 | 22" | SM. | SM. | .197 | 36 | 7-1/2" | 7-1/2" | 12 | 3295 | \$18,904 |
| 76R-3617-837 | 22" | C.O. | SM. | .197 | 36 | 7-1/2" | 7-1/2" | 12 | 3273 | \$19,211 |
| <u>W/ SPRING BEARING HANGERS</u> | | | | | | | | | | |
| 76R-3436-657 | 22" | C.O. | C.O. | .197 | 34 | 9" | 7-1/2" | 12 | 3521 | \$19,186 |
| 76R-3436-757 | 22" | SM. | SM. | .197 | 34 | 9" | 7-1/2" | 12 | 3563 | \$18,959 |
| 76R-3436-857 | 22" | C.O. | SM. | .197 | 34 | 9" | 7-1/2" | 12 | 3543 | \$19,067 |
| 76R-3616-657 | 22" | C.O. | C.O. | .197 | 36 | 7-1/2" | 7-1/2" | 12 | 3575 | \$19,618 |
| 76R-3616-757 | 22" | SM. | SM. | .197 | 36 | 7-1/2" | 7-1/2" | 12 | 3619 | \$19,358 |
| 76R-3616-857 | 22" | C.O. | SM. | .197 | 36 | 7-1/2" | 7-1/2" | 12 | 3597 | \$19,493 |

| MODEL NUMBER | DISC DIAM | TYPE OF DISC | | DISC THCK | # OF DISC | DISC SPACING | | # OF BRGS | APX WT | SUGST PRICE |
|--|--------------|--------------|------|--------------|--------------|--------------|--------|--------------|-----------|----------------|
| | | FRNT | REAR | | | FRNT | REAR | | | |
| <u>11' 8" WIDE</u> <u>W/ RIGID BEARING HANGERS</u> | | | | | | | | | | |
| 76R-3227-637 | 22" | C.O. | C.O. | .197 | 32 | 9" | 9" | 12 | 3191 | \$18,746 |
| 76R-3227-667 | 24" | C.O. | C.O. | .197 | 32 | 9" | 9" | 12 | 3388 | \$18,918 |
| 76R-3227-737 | 22" | SM. | SM. | .197 | 32 | 9" | 9" | 12 | 3231 | \$18,238 |
| 76R-3227-767 | 24" | SM. | SM. | .197 | 32 | 9" | 9" | 12 | 3430 | \$18,421 |
| 76R-3227-837 | 22" | C.O. | SM. | .197 | 32 | 9" | 9" | 12 | 3210 | \$18,508 |
| 76R-3227-867 | 24" | C.O. | SM. | .197 | 32 | 9" | 9" | 12 | 3409 | \$18,681 |
| <u>W/ SPRING BEARING HANGERS</u> | | | | | | | | | | |
| 76R-3226-657 | 22" | C.O. | C.O. | .197 | 32 | 9" | 9" | 12 | 3499 | \$18,898 |
| 76R-3226-757 | 22" | SM. | SM. | .197 | 32 | 9" | 9" | 12 | 3528 | \$18,699 |
| 76R-3226-857 | 22" | C.O. | SM. | .197 | 32 | 9" | 9" | 12 | 3513 | \$18,805 |
| <u>13' 1" WIDE</u> <u>W/ RIGID BEARING HANGERS</u> | | | | | | | | | | |
| 76R-3627-637 | 22" | C.O. | C.O. | .197 | 36 | 9" | 9" | 12 | 3387 | \$19,585 |
| 76R-3627-667 | 24" | C.O. | C.O. | .197 | 36 | 9" | 9" | 12 | 3611 | \$19,916 |
| 76R-3627-737 | 22" | SM. | SM. | .197 | 36 | 9" | 9" | 12 | 3420 | \$18,990 |
| 76R-3627-767 | 24" | SM. | SM. | .197 | 36 | 9" | 9" | 12 | 3659 | \$19,463 |
| 76R-3627-837 | 22" | C.O. | SM. | .197 | 36 | 9" | 9" | 12 | 3388 | \$19,260 |
| 76R-3627-867 | 24" | C.O. | SM. | .197 | 36 | 9" | 9" | 12 | 3634 | \$19,692 |
| <u>W/ SPRING BEARING HANGERS</u> | | | | | | | | | | |
| 76R-3626-657 | 22" | C.O. | C.O. | .197 | 36 | 9" | 9" | 12 | 3707 | \$19,773 |
| 76R-3626-757 | 22" | SM. | SM. | .197 | 36 | 9" | 9" | 12 | 3740 | \$19,446 |
| 76R-3626-857 | 22" | C.O. | SM. | .197 | 36 | 9" | 9" | 12 | 3708 | \$19,618 |
| <u>13' 5" WIDE</u> <u>W/ RIGID BEARING HANGERS</u> | | | | | | | | | | |
| 76R-4037-637 | 22" | C.O. | C.O. | .197 | 40 | 9" | 7-1/2" | 12 | 3531 | \$20,420 |
| 76R-4037-737 | 22" | SM. | SM. | .197 | 40 | 9" | 7-1/2" | 12 | 3569 | \$19,789 |
| 76R-4037-837 | 22" | C.O. | SM. | .197 | 40 | 9" | 7-1/2" | 12 | 3546 | \$20,078 |
| 76R-4417-637 | 22" | C.O. | C.O. | .197 | 44 | 7-1/2" | 7-1/2" | 12 | 3739 | \$21,250 |
| 76R-4417-737 | 22" | SM. | SM. | .197 | 44 | 7-1/2" | 7-1/2" | 12 | 3792 | \$20,558 |
| 76R-4417-837 | 22" | C.O. | SM. | .197 | 44 | 7-1/2" | 7-1/2" | 12 | 3765 | \$20,903 |
| <u>W/ SPRING BEARING HANGERS</u> | | | | | | | | | | |
| 76R-4036-657 | 22" | C.O. | C.O. | .197 | 40 | 9" | 7-1/2" | 12 | 3871 | \$20,565 |
| 76R-4036-757 | 22" | SM. | SM. | .197 | 40 | 9" | 7-1/2" | 12 | 3909 | \$20,306 |
| 76R-4036-857 | 22" | C.O. | SM. | .197 | 40 | 9" | 7-1/2" | 12 | 3886 | \$20,427 |
| 76R-4416-657 | 22" | C.O. | C.O. | .197 | 44 | 7-1/2" | 7-1/2" | 12 | 4009 | \$21,361 |
| 76R-4416-757 | 22" | SM. | SM. | .197 | 44 | 7-1/2" | 7-1/2" | 12 | 4062 | \$21,083 |
| 76R-4416-857 | 22" | C.O. | SM. | .197 | 44 | 7-1/2" | 7-1/2" | 12 | 4035 | \$21,220 |

| MODEL NUMBER | DISC DIAM | TYPE OF DISC | | DISC THCK | # OF DISC | DISC SPACING | | # OF BRGS | APX WT | SUGST PRICE |
|--|--------------|--------------|------|--------------|--------------|--------------|------|--------------|-----------|----------------|
| | | FRNT | REAR | | | FRNT | REAR | | | |
| <u>14' 6" WIDE</u> <u>W/ RIGID BEARING HANGERS</u> | | | | | | | | | | |
| 76R-4027-637 | 22" | C.O. | C.O. | .197 | 40 | 9" | 9" | 12 | 3657 | \$20,566 |
| 76R-4027-667 | 24" | C.O. | C.O. | .197 | 40 | 9" | 9" | 12 | 3910 | \$20,855 |
| 76R-4027-737 | 22" | SM. | SM. | .197 | 40 | 9" | 9" | 12 | 3694 | \$19,820 |
| 76R-4027-767 | 24" | SM. | SM. | .197 | 40 | 9" | 9" | 12 | 3962 | \$20,167 |
| 76R-4027-837 | 22" | C.O. | SM. | .197 | 40 | 9" | 9" | 12 | 3676 | \$20,225 |
| 76R-4027-867 | 24" | C.O. | SM. | .197 | 40 | 9" | 9" | 12 | 3935 | \$20,432 |

W/ SPRING BEARING HANGERS

| | | | | | | | | | | |
|--------------|-----|------|------|------|----|----|----|----|------|----------|
| 76R-4026-657 | 22" | C.O. | C.O. | .197 | 40 | 9" | 9" | 12 | 3993 | \$20,712 |
| 76R-4026-757 | 22" | SM. | SM. | .197 | 40 | 9" | 9" | 12 | 4030 | \$20,349 |
| 76R-4026-857 | 22" | C.O. | SM. | .197 | 40 | 9" | 9" | 12 | 4012 | \$20,553 |

15' 1" WIDE W/ RIGID BEARING HANGERS

| | | | | | | | | | | |
|--------------|-----|------|------|------|----|--------|--------|----|------|----------|
| 76R-4437-637 | 22" | C.O. | C.O. | .197 | 44 | 9" | 7-1/2" | 12 | 3788 | \$21,354 |
| 76R-4437-737 | 22" | SM. | SM. | .197 | 44 | 9" | 7-1/2" | 12 | 3841 | \$20,657 |
| 76R-4437-837 | 22" | C.O. | SM. | .197 | 44 | 9" | 7-1/2" | 12 | 3816 | \$20,985 |
| 76R-4817-637 | 22" | C.O. | C.O. | .197 | 48 | 7-1/2" | 7-1/2" | 12 | 3908 | \$22,050 |
| 76R-4817-737 | 22" | SM. | SM. | .197 | 48 | 7-1/2" | 7-1/2" | 12 | 3966 | \$21,290 |
| 76R-4817-837 | 22" | C.O. | SM. | .197 | 48 | 7-1/2" | 7-1/2" | 12 | 3937 | \$21,678 |

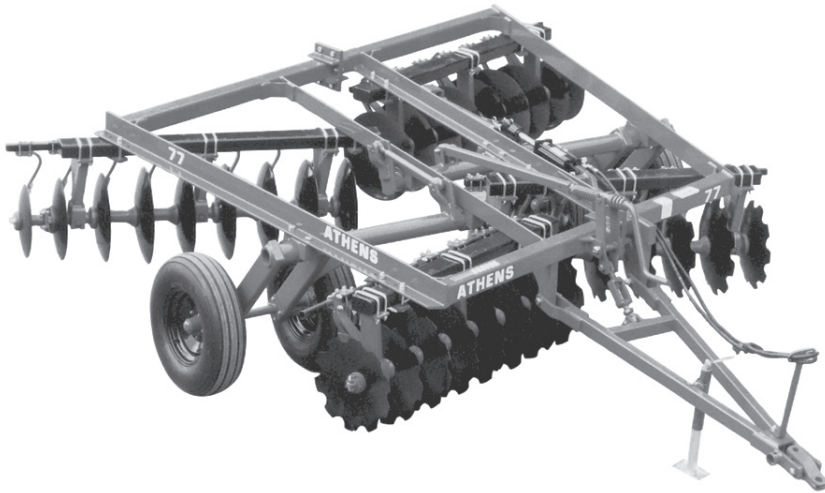
W/ SPRING BEARING HANGERS

| | | | | | | | | | | |
|--------------|-----|------|------|------|----|--------|--------|----|------|----------|
| 76R-4436-657 | 22" | C.O. | C.O. | .197 | 44 | 9" | 7-1/2" | 16 | 4144 | \$21,460 |
| 76R-4436-757 | 22" | SM. | SM. | .197 | 44 | 9" | 7-1/2" | 16 | 4197 | \$21,181 |
| 76R-4436-857 | 22" | C.O. | SM. | .197 | 44 | 9" | 7-1/2" | 16 | 4172 | \$21,309 |
| 76R-4816-657 | 22" | C.O. | C.O. | .197 | 48 | 7-1/2" | 7-1/2" | 12 | 4280 | \$22,106 |
| 76R-4816-757 | 22" | SM. | SM. | .197 | 48 | 7-1/2" | 7-1/2" | 12 | 4338 | \$21,813 |
| 76R-4816-857 | 22" | C.O. | SM. | .197 | 48 | 7-1/2" | 7-1/2" | 12 | 4309 | \$21,972 |

| <u>EXTRA EQUIPMENT</u> | | | | | | | | | APX WT | SUGST PRICE |
|------------------------|--|--|--|--|--|--|--|--|-----------|----------------|
| 9-076-605156 | DUAL WHEELS FOR 8' 10" TO 13' 5" UNITS (DUAL WHEELS ARE STANDARD ON 14' 6" & 15' 1" UNITS) | | | | | | | | 90 | \$999 |
| 106165 | AG LIGHT KIT | | | | | | | | 17 | \$500 |

RECOMMENDED TIRE SIZE: 9.5L x 15
CAUTION: TIRES ARE RATED AT 20 MPH MAXIMUM.
*PRICE DOES NOT INCLUDE TIRES.

ATHENS 77R DOUBLE OFFSET DISK HARROW



SPECIFICATIONS:

Width – 11' 8" to 15' 9"
 22" or 24" Discs, Cutout or Smooth
 Spacing – 9", 7 ½", or 9"Frnt & 7 ½"R
 Trunnion Mounted Housing with
 QUADRASEAL Ball Bearings
 Spring or Rigid Bearing Hangers
 1 ¼" Sq. Cold Rolled Gang Axles

STANDARD EQUIPMENT:

Self-Leveling Frame
 "A" Frame Tongue w/ Jack
 Heavy-duty Tubular Mounted Scrapers
 Cover Discs w/Scrapers
 Split Wheel Carriages
 Lifting Hyd. w/ Mechanical Transport
 Adjustable Angle of Cut
 15" x 6" – 5 Lug Dual Wheels w/ Hubs
 Tapered Front & Rear Gangs

| <u>MODEL NUMBER</u> | <u>DISC DIAM</u> | <u>TYPE OF DISC</u> | | <u>DISC THCK</u> | <u># OF DISC</u> | <u>DISC SPACING</u> | | <u># OF BRGS</u> | <u>APX WT</u> | <u>SUGST PRICE</u> |
|---|------------------|---------------------|-------------|------------------|------------------|---------------------|-------------|------------------|---------------|--------------------|
| | | <u>FRNT</u> | <u>REAR</u> | | | <u>FRNT</u> | <u>REAR</u> | | | |
| <u>11' 1" WIDE W/ RIGID BEARING HANGERS</u> | | | | | | | | | | |
| 77R-3437-631 | 22" | C.O. | C.O. | .197 | 34 | 9" | 7-1/2" | 12 | 3700 | \$22,437 |
| 77R-3437-731 | 22" | SM. | SM. | .197 | 34 | 9" | 7-1/2" | 12 | 3742 | \$21,868 |
| 77R-3437-831 | 22" | C.O. | SM. | .197 | 34 | 9" | 7-1/2" | 12 | 3721 | \$22,130 |
| 77R-3617-631 | 22" | C.O. | C.O. | .197 | 36 | 7-1/2" | 7-1/2" | 12 | 3746 | \$22,916 |
| 77R-3617-731 | 22" | SM. | SM. | .197 | 36 | 7-1/2" | 7-1/2" | 12 | 3789 | \$22,305 |
| 77R-3617-831 | 22" | C.O. | SM. | .197 | 36 | 7-1/2" | 7-1/2" | 12 | 3767 | \$22,614 |
| <u>W/ SPRING BEARING HANGERS</u> | | | | | | | | | | |
| 77R-3436-651 | 22" | C.O. | C.O. | .197 | 34 | 9" | 7-1/2" | 12 | 4016 | \$22,653 |
| 77R-3436-751 | 22" | SM. | SM. | .197 | 34 | 9" | 7-1/2" | 12 | 4058 | \$22,402 |
| 77R-3436-851 | 22" | C.O. | SM. | .197 | 34 | 9" | 7-1/2" | 12 | 4037 | \$22,531 |
| 77R-3616-651 | 22" | C.O. | C.O. | .197 | 36 | 7-1/2" | 7-1/2" | 12 | 4070 | \$23,112 |
| 77R-3616-751 | 22" | SM. | SM. | .197 | 36 | 7-1/2" | 7-1/2" | 12 | 4113 | \$22,850 |
| 77R-3616-851 | 22" | C.O. | SM. | .197 | 36 | 7-1/2" | 7-1/2" | 12 | 4091 | \$22,993 |
| <u>11' 8" WIDE W/ RIGID BEARING HANGERS</u> | | | | | | | | | | |
| 77R-3227-631 | 22" | C.O. | C.O. | .197 | 32 | 9" | 9" | 12 | 3701 | \$22,100 |
| 77R-3227-661 | 24" | C.O. | C.O. | .197 | 32 | 9" | 9" | 12 | 3868 | \$22,351 |
| 77R-3227-731 | 22" | SM. | SM. | .197 | 32 | 9" | 9" | 12 | 3740 | \$21,584 |

| MODEL NUMBER | DISC DIAM | TYPE OF DISC | | DISC THCK | # OF DISC | DISC SPACING | | # OF BRGS | APX WT | SUGST PRICE |
|--------------------|--------------|--|------|--------------|--------------|--------------|--------|--------------|-----------|----------------|
| | | FRNT | REAR | | | FRNT | REAR | | | |
| <u>11' 8" WIDE</u> | | <u>W/ RIGID BEARING HANGERS (CONT'D)</u> | | | | | | | | |
| 77R-3227-761 | 24" | SM. | SM. | .197 | 32 | 9" | 9" | 12 | 3907 | \$21,814 |
| 77R-3227-831 | 22" | C.O. | SM. | .197 | 32 | 9" | 9" | 12 | 3720 | \$21,853 |
| 77R-3227-861 | 24" | C.O. | SM. | .197 | 32 | 9" | 9" | 12 | 3886 | \$22,097 |
| | | <u>W/ SPRING BEARING HANGERS</u> | | | | | | | | |
| 77R-3226-651 | 22" | C.O. | C.O. | .197 | 32 | 9" | 9" | 12 | 4009 | \$21,969 |
| 77R-3226-751 | 22" | SM. | SM. | .197 | 32 | 9" | 9" | 12 | 4048 | \$21,759 |
| 77R-3226-851 | 22" | C.O. | SM. | .197 | 32 | 9" | 9" | 12 | 4028 | \$21,866 |
| <u>13' 1" WIDE</u> | | <u>W/ RIGID BEARING HANGERS</u> | | | | | | | | |
| 77R-3627-631 | 22" | C.O. | C.O. | .197 | 36 | 9" | 9" | 12 | 3913 | \$23,005 |
| 77R-3627-661 | 24" | C.O. | C.O. | .197 | 36 | 9" | 9" | 12 | 4093 | \$23,440 |
| 77R-3627-731 | 22" | SM. | SM. | .197 | 36 | 9" | 9" | 12 | 3950 | \$22,307 |
| 77R-3627-761 | 24" | SM. | SM. | .197 | 36 | 9" | 9" | 12 | 4146 | \$22,942 |
| 77R-3627-831 | 22" | C.O. | SM. | .197 | 36 | 9" | 9" | 12 | 3934 | \$22,664 |
| 77R-3627-861 | 24" | C.O. | SM. | .197 | 36 | 9" | 9" | 12 | 4123 | \$23,198 |
| | | <u>W/ SPRING BEARING HANGERS</u> | | | | | | | | |
| 77R-3626-651 | 22" | C.O. | C.O. | .197 | 36 | 9" | 9" | 12 | 4219 | \$23,210 |
| 77R-3626-751 | 22" | SM. | SM. | .197 | 36 | 9" | 9" | 12 | 4260 | \$22,856 |
| 77R-3626-851 | 22" | C.O. | SM. | .197 | 36 | 9" | 9" | 12 | 4240 | \$23,036 |
| <u>13' 6" WIDE</u> | | <u>W/ RIGID BEARING HANGERS</u> | | | | | | | | |
| 77R-4037-631 | 22" | C.O. | C.O. | .197 | 40 | 9" | 7-1/2" | 12 | 4011 | \$23,896 |
| 77R-4037-731 | 22" | SM. | SM. | .197 | 40 | 9" | 7-1/2" | 12 | 4059 | \$23,241 |
| 77R-4037-831 | 22" | C.O. | SM. | .197 | 40 | 9" | 7-1/2" | 12 | 4037 | \$23,541 |
| 77R-4417-631 | 22" | C.O. | C.O. | .197 | 44 | 7-1/2" | 7-1/2" | 12 | 4147 | \$24,792 |
| 77R-4417-731 | 22" | SM. | SM. | .197 | 44 | 7-1/2" | 7-1/2" | 12 | 4200 | \$24,078 |
| 77R-4417-831 | 22" | C.O. | SM. | .197 | 44 | 7-1/2" | 7-1/2" | 12 | 4174 | \$24,435 |
| | | <u>W/ SPRING BEARING HANGERS</u> | | | | | | | | |
| 77R-4036-651 | 22" | C.O. | C.O. | .197 | 40 | 9" | 7-1/2" | 12 | 4351 | \$24,061 |
| 77R-4036-751 | 22" | SM. | SM. | .197 | 40 | 9" | 7-1/2" | 12 | 4399 | \$23,784 |
| 77R-4036-851 | 22" | C.O. | SM. | .197 | 40 | 9" | 7-1/2" | 12 | 4379 | \$23,922 |
| 77R-4416-651 | 22" | C.O. | C.O. | .197 | 44 | 7-1/2" | 7-1/2" | 12 | 4503 | \$24,938 |
| 77R-4416-751 | 22" | SM. | SM. | .197 | 44 | 7-1/2" | 7-1/2" | 12 | 4556 | \$24,628 |
| 77R-4416-851 | 22" | C.O. | SM. | .197 | 44 | 7-1/2" | 7-1/2" | 12 | 4530 | \$24,783 |
| <u>14' 6" WIDE</u> | | <u>W/ RIGID BEARING HANGERS</u> | | | | | | | | |
| 77R-4027-631 | 22" | C.O. | C.O. | .197 | 40 | 9" | 9" | 12 | 4080 | \$24,051 |
| 77R-4027-661 | 24" | C.O. | C.O. | .197 | 40 | 9" | 9" | 12 | 4290 | \$24,621 |
| 77R-4027-731 | 22" | SM. | SM. | .197 | 40 | 9" | 9" | 12 | 4129 | \$23,420 |

| MODEL NUMBER | DISC DIAM | TYPE OF DISC | | DISC THCK | # OF DISC | DISC SPACING | | # OF BRGS | APX WT | SUGST PRICE |
|---|--------------|--------------|------|--------------|--------------|--------------|------|--------------|-----------|----------------|
| | | FRNT | REAR | | | FRNT | REAR | | | |
| <u>14' 6" WIDE</u> <u>W/ RIGID BEARING HANGERS (CONT'D)</u> | | | | | | | | | | |
| 77R-4027-761 | 24" | SM. | SM. | .197 | 40 | 9" | 9" | 12 | 4342 | \$23,703 |
| 77R-4027-831 | 22" | C.O. | SM. | .197 | 40 | 9" | 9" | 12 | 4108 | \$23,740 |
| 77R-4027-861 | 24" | C.O. | SM. | .197 | 40 | 9" | 9" | 12 | 4316 | \$24,061 |

W/ SPRING BEARING HANGER

| | | | | | | | | | | |
|--------------|-----|------|------|------|----|----|----|----|------|----------|
| 77R-4026-651 | 22" | C.O. | C.O. | .197 | 40 | 9" | 9" | 12 | 4420 | \$24,223 |
| 77R-4026-751 | 22" | SM. | SM. | .197 | 40 | 9" | 9" | 12 | 4469 | \$24,061 |
| 77R-4026-851 | 22" | C.O. | SM. | .197 | 40 | 9" | 9" | 12 | 4448 | \$24,093 |

15' 1" WIDE W/ RIGID BEARING HANGERS

| | | | | | | | | | | |
|--------------|-----|------|------|------|----|--------|--------|----|------|----------|
| 77R-4437-631 | 22" | C.O. | C.O. | .197 | 44 | 9" | 7-1/2" | 12 | 4217 | \$25,267 |
| 77R-4437-731 | 22" | SM. | SM. | .197 | 44 | 9" | 7-1/2" | 12 | 4240 | \$24,327 |
| 77R-4437-831 | 22" | C.O. | SM. | .197 | 44 | 9" | 7-1/2" | 12 | 4216 | \$24,680 |
| 77R-4817-631 | 22" | C.O. | C.O. | .197 | 48 | 7-1/2" | 7-1/2" | 12 | 4327 | \$25,792 |
| 77R-4817-731 | 22" | SM. | SM. | .197 | 48 | 7-1/2" | 7-1/2" | 12 | 4485 | \$24,992 |
| 77R-4817-831 | 22" | C.O. | SM. | .197 | 48 | 7-1/2" | 7-1/2" | 12 | 4356 | \$25,401 |

W/ SPRING BEARING HANGERS

| | | | | | | | | | | |
|--------------|-----|------|------|------|----|--------|--------|----|------|----------|
| 77R-4436-651 | 22" | C.O. | C.O. | .197 | 44 | 9" | 7-1/2" | 12 | 4573 | \$25,040 |
| 77R-4436-751 | 22" | SM. | SM. | .197 | 44 | 9" | 7-1/2" | 12 | 4596 | \$24,732 |
| 77R-4436-851 | 22" | C.O. | SM. | .197 | 44 | 9" | 7-1/2" | 12 | 4572 | \$24,890 |
| 77R-4816-651 | 22" | C.O. | C.O. | .197 | 48 | 7-1/2" | 7-1/2" | 12 | 4699 | \$25,892 |
| 77R-4816-751 | 22" | SM. | SM. | .197 | 48 | 7-1/2" | 7-1/2" | 12 | 4857 | \$25,546 |
| 77R-4816-851 | 22" | C.O. | SM. | .197 | 48 | 7-1/2" | 7-1/2" | 12 | 4728 | \$25,731 |

15' 9" WIDE W/ RIGID BEARING HANGERS

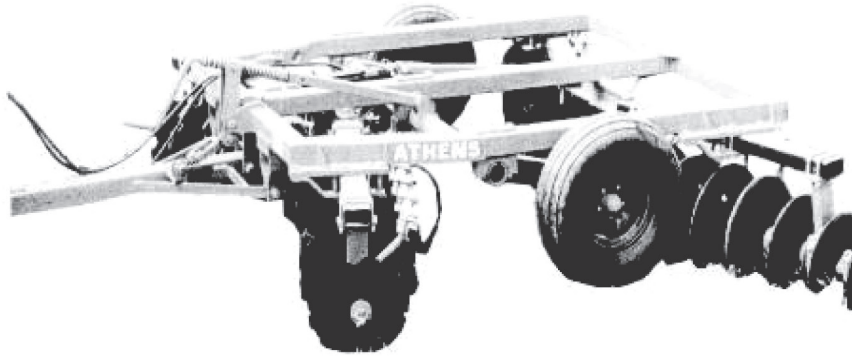
| | | | | | | | | | | |
|--------------|-----|------|------|------|----|----|----|----|------|----------|
| 77R-4427-631 | 22" | C.O. | C.O. | .197 | 44 | 9" | 9" | 12 | 4247 | \$25,101 |
| 77R-4427-661 | 24" | C.O. | C.O. | .197 | 44 | 9" | 9" | 12 | 4487 | \$25,627 |
| 77R-4427-731 | 22" | SM. | SM. | .197 | 44 | 9" | 9" | 12 | 4308 | \$24,408 |
| 77R-4427-761 | 24" | SM. | SM. | .197 | 44 | 9" | 9" | 12 | 4538 | \$24,674 |
| 77R-4427-831 | 22" | C.O. | SM. | .197 | 44 | 9" | 9" | 12 | 4282 | \$24,765 |
| 77R-4427-861 | 24" | C.O. | SM. | .197 | 44 | 9" | 9" | 12 | 4509 | \$25,044 |

| <u>EXTRA EQUIPMENT</u> | | | | | | | | | APX WT | SUGST PRICE |
|------------------------|--|--|--|--|--|--|--|--|-----------|----------------|
|------------------------|--|--|--|--|--|--|--|--|-----------|----------------|

| | | | | | | | | | | |
|--------|--------------|--|--|--|--|--|--|--|-----|-------|
| 106165 | AG LIGHT KIT | | | | | | | | 17# | \$500 |
|--------|--------------|--|--|--|--|--|--|--|-----|-------|

RECOMMENDED TIRE SIZE: 9.5L x 15 (4 REQUIRED)
CAUTION: TIRES ARE RATED AT 20 MPH MAXIMUM.
*PRICE DOES NOT INCLUDE TIRES.

ATHENS 93 TANDEM DISK HARROW



SPECIFICATIONS:

Cutting Width – 9' 4" to 15' 3"
Disc Spacing – 7-1/2", 9" or
9" Frt, 7-1/2" Rear
22" or 24" Discs- Cutout or Smooth

STANDARD EQUIPMENT:

Reversible Clevis Hitch
Heavy – Duty Tongue w/ Jack
1 1/4" Cold Rolled Sq. Axles
w/ Gang Wrench
Tapered Outside Rear and
Front Gangs
Heavy – Duty Scrapers
Cover Discs w/ Scrapers
15", 5 Lug Wheels w/ QUADRASEAL
Wheel Hubs
Mechanical Transport
Adjustable Angle of Cut
Relube QUADRASEAL Ball Bearings
Lifting Hydraulics

| MODEL NUMBER | DISC DIAM | TYPE OF DISC | | DISC THCK | # OF DISC | DISC SPACING | | # OF BRGS | APX WT | SUGST PRICE |
|--------------------|--------------|--------------|------|--------------|--------------|--------------|--------|--------------|-----------|----------------|
| | | FRNT | REAR | | | FRNT | REAR | | | |
| <u>9' 4" WIDE</u> | | | | | | | | | | |
| 093-2427-651 | 22" | C.O. | C.O. | .197 | 24 | 9" | 9" | 8 | 2805 | \$15,780 |
| 093-2427-661 | 24" | C.O. | C.O. | .197 | 24 | 9" | 9" | 8 | 2867 | \$16,993 |
| 093-2427-751 | 22" | SM. | SM. | .197 | 24 | 9" | 9" | 8 | 2835 | \$16,124 |
| 093-2427-761 | 24" | SM. | SM. | .197 | 24 | 9" | 9" | 8 | 2898 | \$16,823 |
| 093-2427-851 | 22" | C.O. | SM. | .197 | 24 | 9" | 9" | 8 | 2820 | \$15,616 |
| 093-2427-861 | 24" | C.O. | SM. | .197 | 24 | 9" | 9" | 8 | 2883 | \$16,880 |
| 093-2637-651 | 22" | C.O. | C.O. | .197 | 26 | 9" | 7-1/2" | 8 | 2867 | \$16,230 |
| 093-2637-751 | 22" | SM. | SM. | .197 | 26 | 9" | 7-1/2" | 8 | 2898 | \$15,571 |
| 093-2637-851 | 22" | C.O. | SM. | .197 | 26 | 9" | 7-1/2" | 8 | 2883 | \$15,766 |
| 093-2817-651 | 22" | C.O. | C.O. | .197 | 28 | 7-1/2" | 7-1/2" | 8 | 2932 | \$17,362 |
| 093-2817-751 | 22" | SM. | SM. | .197 | 28 | 7-1/2" | 7-1/2" | 8 | 2966 | \$16,946 |
| 093-2817-851 | 22" | C.O. | SM. | .197 | 28 | 7-1/2" | 7-1/2" | 8 | 2949 | \$17,161 |
| <u>10' 6" WIDE</u> | | | | | | | | | | |
| 093-3037-651 | 22" | C.O. | C.O. | .197 | 30 | 9" | 7-1/2" | 8 | 3073 | \$17,314 |
| 093-3037-751 | 22" | SM. | SM. | .197 | 30 | 9" | 7-1/2" | 8 | 3109 | \$16,877 |
| 093-3037-851 | 22" | C.O. | SM. | .197 | 30 | 9" | 7-1/2" | 8 | 3092 | \$17,088 |
| 093-3217-651 | 22" | C.O. | C.O. | .197 | 32 | 7-1/2" | 7-1/2" | 8 | 3136 | \$17,681 |
| 093-3217-751 | 22" | SM. | SM. | .197 | 32 | 7-1/2" | 7-1/2" | 8 | 3174 | \$17,289 |
| 093-3217-851 | 22" | C.O. | SM. | .197 | 32 | 7-1/2" | 7-1/2" | 8 | 3155 | \$17,258 |

| MODEL NUMBER | DISC DIAM | TYPE OF DISC | | DISC THCK | # OF DISC | DISC SPACING | | # OF BRGS | APX WT | SUGST PRICE |
|-----------------------------|--------------|--------------|------|--------------|--------------|--------------|--------|--------------|-----------|----------------|
| | | FRNT | REAR | | | FRNT | REAR | | | |
| <u>10' 6" WIDE (CONT'D)</u> | | | | | | | | | | |
| 093-2827-651 | 22" | C.O. | C.O. | .197 | 28 | 9" | 9" | 8 | 3011 | \$16,881 |
| 093-2827-661 | 24" | C.O. | C.O. | .197 | 28 | 9" | 9" | 8 | 3087 | \$18,251 |
| 093-2827-751 | 22" | SM. | SM. | .197 | 28 | 9" | 9" | 8 | 3045 | \$16,477 |
| 093-2827-761 | 24" | SM. | SM. | .197 | 28 | 9" | 9" | 8 | 3123 | \$17,523 |
| 093-2827-851 | 22" | C.O. | SM. | .197 | 28 | 9" | 9" | 8 | 3028 | \$16,680 |
| 093-2827-861 | 24" | C.O. | SM. | .197 | 28 | 9" | 9" | 8 | 3105 | \$18,113 |
| <u>12' 2" WIDE</u> | | | | | | | | | | |
| 093-3227-651 | 22" | C.O. | C.O. | .197 | 32 | 9" | 9" | 12 | 3363 | \$19,307 |
| 093-3227-661 | 24" | C.O. | C.O. | .197 | 32 | 9" | 9" | 12 | 3452 | \$20,899 |
| 093-3227-751 | 22" | SM. | SM. | .197 | 32 | 9" | 9" | 12 | 3401 | \$18,642 |
| 093-3227-761 | 24" | SM. | SM. | .197 | 32 | 9" | 9" | 12 | 3493 | \$20,610 |
| 093-3227-851 | 22" | C.O. | SM. | .197 | 32 | 9" | 9" | 12 | 3382 | \$19,085 |
| 093-3227-861 | 24" | C.O. | SM. | .197 | 32 | 9" | 9" | 12 | 3473 | \$20,724 |
| <u>12' 11" WIDE</u> | | | | | | | | | | |
| 093-3637-651 | 22" | C.O. | C.O. | .197 | 36 | 9" | 7-1/2" | 12 | 3453 | \$20,219 |
| 093-3637-751 | 22" | SM. | SM. | .197 | 36 | 9" | 7-1/2" | 12 | 3496 | \$19,685 |
| 093-3637-851 | 22" | C.O. | SM. | .197 | 36 | 9" | 7-1/2" | 12 | 3477 | \$19,932 |
| 093-4017-651 | 22" | C.O. | C.O. | .197 | 40 | 7-1/2" | 7-1/2" | 12 | 3641 | \$21,118 |
| 093-4017-751 | 22" | SM. | SM. | .197 | 40 | 7-1/2" | 7-1/2" | 12 | 3689 | \$20,522 |
| 093-4017-851 | 22" | C.O. | SM. | .197 | 40 | 7-1/2" | 7-1/2" | 12 | 3665 | \$20,830 |
| <u>13' 6" WIDE</u> | | | | | | | | | | |
| 093-3627-651 | 22" | C.O. | C.O. | .197 | 36 | 9" | 9" | 12 | 3656 | \$21,306 |
| 093-3627-661 | 24" | C.O. | C.O. | .197 | 36 | 9" | 9" | 12 | 3759 | \$23,052 |
| 093-3627-751 | 22" | SM. | SM. | .197 | 36 | 9" | 9" | 12 | 3699 | \$20,776 |
| 093-3627-761 | 24" | SM. | SM. | .197 | 36 | 9" | 9" | 12 | 3805 | \$22,703 |
| 093-3627-851 | 22" | C.O. | SM. | .197 | 36 | 9" | 9" | 12 | 3677 | \$21,050 |
| 093-3627-861 | 24" | C.O. | SM. | .197 | 36 | 9" | 9" | 12 | 3783 | \$22,852 |
| <u>14' 1" WIDE</u> | | | | | | | | | | |
| 093-4037-651 | 22" | C.O. | C.O. | .197 | 40 | 9" | 7-1/2" | 12 | 3792 | \$22,206 |
| 093-4037-751 | 22" | SM. | SM. | .197 | 40 | 9" | 7-1/2" | 12 | 3840 | \$21,618 |
| 093-4037-851 | 22" | C.O. | SM. | .197 | 40 | 9" | 7-1/2" | 12 | 3818 | \$21,881 |
| 093-4417-651 | 22" | C.O. | C.O. | .197 | 44 | 7-1/2" | 7-1/2" | 12 | 3930 | \$23,114 |
| 093-4417-751 | 22" | SM. | SM. | .197 | 44 | 7-1/2" | 7-1/2" | 12 | 3984 | \$22,454 |
| 093-4417-851 | 22" | C.O. | SM. | .197 | 44 | 7-1/2" | 7-1/2" | 12 | 3958 | \$22,790 |

| MODEL NUMBER | DISC DIAM | TYPE OF DISC | | DISC THCK | # OF DISC | DISC SPACING | | # OF BRGS | APX WT | SUGST PRICE |
|--------------------|--------------|--------------|------|--------------|--------------|--------------|--------|--------------|-----------|----------------|
| | | FRNT | REAR | | | FRNT | REAR | | | |
| <u>15' 0" WIDE</u> | | | | | | | | | | |
| 093-4027-651 | 22" | C.O. | C.O. | .197 | 40 | 9" | 9" | 16 | 4582 | \$23,685 |
| 093-4027-661 | 24" | C.O. | C.O. | .197 | 40 | 9" | 9" | 16 | 4700 | \$25,679 |
| 093-4027-751 | 22" | SM. | SM. | .197 | 40 | 9" | 9" | 16 | 4630 | \$23,082 |
| 093-4027-761 | 24" | SM. | SM. | .197 | 40 | 9" | 9" | 16 | 4751 | \$25,269 |
| 093-4027-851 | 22" | C.O. | SM. | .197 | 40 | 9" | 9" | 16 | 4606 | \$23,391 |
| 093-4027-861 | 24" | C.O. | SM. | .197 | 40 | 9" | 9" | 16 | 4727 | \$25,451 |
| <u>15' 3" WIDE</u> | | | | | | | | | | |
| 093-4437-651 | 22" | C.O. | C.O. | .197 | 44 | 9" | 7-1/2" | 16 | 4721 | \$24,574 |
| 093-4437-751 | 22" | SM. | SM. | .197 | 44 | 9" | 7-1/2" | 16 | 4341 | \$23,922 |
| 093-4437-851 | 22" | C.O. | SM. | .197 | 44 | 9" | 7-1/2" | 16 | 4750 | \$24,227 |
| 093-4817-651 | 22" | C.O. | C.O. | .197 | 48 | 7-1/2" | 7-1/2" | 16 | 4853 | \$25,464 |
| 093-4817-751 | 22" | SM. | SM. | .197 | 48 | 7-1/2" | 7-1/2" | 16 | 4911 | \$24,738 |
| 093-4817-851 | 22" | C.O. | SM. | .197 | 48 | 7-1/2" | 7-1/2" | 16 | 4882 | \$25,110 |

EXTRA EQUIPMENT

| | | | |
|--------------|---|----|-------|
| 9-093-605156 | DUAL WHEELS COMPLETE (DUAL WHEELS STANDARD ON 13' 6" TO 15' 3" MODELS) | 98 | \$899 |
| 9-093-800000 | BALK BUSTER (CENTER TOOTH) | 34 | \$312 |

SPECIAL ORDERING INTRUCTIONS:

FOR SPRING BEARING HANGERS:

***NOTE: Spring Bearing Hangers Require 9" Spacing**

Change 7th digit to 8 and 10th digit to S

With 22" Blades: Add 48# and \$273.00 per bearing.

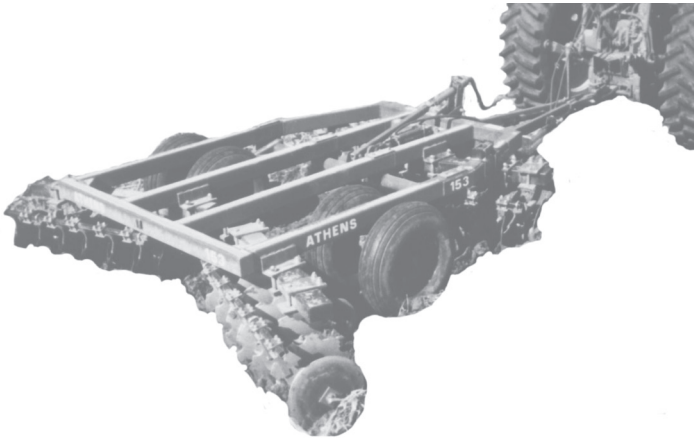
With 24" Blades: Add 48# and \$273.00 per bearing.

RECOMMENDED TIRE SIZE: 9.5L X 15

CAUTION: TIRES ARE RATED AT 20 MPH MAXIMUM.

***NOTE: PRICE DOES NOT INCLUDE TIRES.**

ATHENS 153 TANDEM DISK HARROW



SPECIFICATIONS:

Cutting Width 9' 6", 11', and 12' 6"
24" C/O or SM Discs on 9 1/2" Spacing
Rigid or Spring Bearing Hangers
1 1/2" Cold Rolled Square Axles

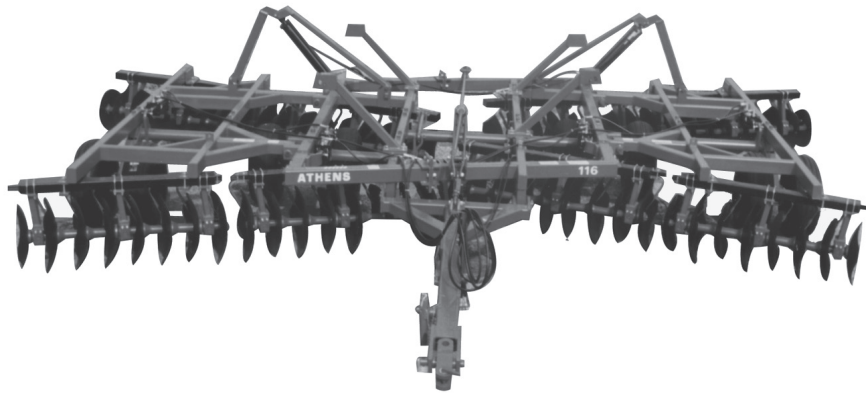
STANDARD EQUIPMENT:

Tapered Double Roller Bearings
Dual Wheels
Hydraulic Lifting
Heavy Duty Scrapers (Tubular Mount)
Cover Discs with Scrapers
Tapered Discs on Front & Rear Gangs
Self-Leveling
Reversible Balanced Clevis

| MODEL NUMBER | DISC DIAM | TYPE OF DISC | | DISC THCK | # OF DISC | DISC SPACING | | # OF BRGS | APX WT | SUGST PRICE |
|-------------------------------|-----------|--------------|------|-----------|-----------|--------------|------|-----------|--------|-------------|
| | | FRNT | REAR | | | FRNT | REAR | | | |
| <u>9' 6" WIDE</u> | | | | | | | | | | |
| <u>RIGID BEARING HANGERS</u> | | | | | | | | | | |
| 153-2445-651 | 24" | C.O. | C.O. | .256 | 24 | 9-1/2" | | 8 | 4133 | \$22,235 |
| 153-2445-751 | 24" | SM. | SM. | .256 | 24 | 9-1/2" | | 8 | 4174 | \$22,064 |
| 153-2445-851 | 24" | C.O. | SM. | .256 | 24 | 9-1/2" | | 8 | 4153 | \$22,152 |
| <u>SPRING BEARING HANGERS</u> | | | | | | | | | | |
| 153-2444-651 | 24" | C.O. | C.O. | .256 | 24 | 9-1/2" | | 8 | 4417 | \$22,926 |
| 153-2444-751 | 24" | SM. | SM. | .256 | 24 | 9-1/2" | | 8 | 4458 | \$22,752 |
| 153-2444-851 | 24" | C.O. | SM. | .256 | 24 | 9-1/2" | | 8 | 4437 | \$22,838 |
| <u>11' 0" WIDE</u> | | | | | | | | | | |
| <u>RIGID BEARING HANGERS</u> | | | | | | | | | | |
| 153-2845-651 | 24" | C.O. | C.O. | .256 | 28 | 9-1/2" | | 10 | 4604 | \$24,086 |
| 153-2845-751 | 24" | SM. | SM. | .256 | 28 | 9-1/2" | | 10 | 4651 | \$23,870 |
| 153-2845-851 | 24" | C.O. | SM. | .256 | 28 | 9-1/2" | | 10 | 4628 | \$23,978 |
| <u>SPRING BEARING HANGERS</u> | | | | | | | | | | |
| 153-2844-651 | 24" | C.O. | C.O. | .256 | 28 | 9-1/2" | | 10 | 4861 | \$25,955 |
| 153-2844-751 | 24" | SM. | SM. | .256 | 28 | 9-1/2" | | 10 | 4908 | \$25,732 |
| 153-2844-851 | 24" | C.O. | SM. | .256 | 28 | 9-1/2" | | 10 | 4885 | \$25,841 |
| <u>12' 6" WIDE</u> | | | | | | | | | | |
| <u>RIGID BEARING HANGERS</u> | | | | | | | | | | |
| 153-3245-651 | 24" | C.O. | C.O. | .256 | 32 | 9-1/2" | | 12 | 5050 | \$26,186 |
| 153-3245-751 | 24" | SM. | SM. | .256 | 32 | 9-1/2" | | 12 | 5104 | \$25,865 |
| 153-3245-851 | 24" | C.O. | SM. | .256 | 32 | 9-1/2" | | 12 | 5078 | \$26,027 |
| <u>SPRING BEARING HANGERS</u> | | | | | | | | | | |
| 153-3244-651 | 24" | C.O. | C.O. | .256 | 32 | 9-1/2" | | 12 | 5476 | \$28,516 |
| 153-3244-751 | 24" | SM. | SM. | .256 | 32 | 9-1/2" | | 12 | 5530 | \$28,178 |
| 153-3244-851 | 24" | C.O. | SM. | .256 | 32 | 9-1/2" | | 12 | 5504 | \$28,347 |

RECOMMENDED TIRE SIZE : 9.5L X 15 (4 REQUIRED)
CAUTION: TIRES ARE RATED AT 20 MPH MAXIMUM.
***NOTE: PRICE DOES NOT INCLUDE TIRES.**

ATHENS 116 FLEX WING DOUBLE OFFSET DISK HARROW



SPECIFICATIONS:

16' 8" to 28' 8" Widths
 Flex Wing, Double Offset
 Truss-Braced, Tubular Frames
 Self – Leveling Frame
 Two Pairs Slave Lifting Cylinders
 Six or Eight Lifting Wheels
 Angle Adjustable (15° – 19°)
 Transport Height Maximum 168"
 Transport Width Maximum 136" or 156"
 22" or 24" Discs, 1.25" Sq. Axle
 Disc Spacing – 9", 7-1/2" or
 9" Front, 7-1/2" Rear

STANDARD EQUIPMENT:

Trunnion Mounted, Rigid Bearing
 Hangers w/QUADRASEAL Ball
 Bearings
 Lifting and Folding Hydraulics
 "A" Frame Tongue w/ Jack
 Reversible Tongue Clevis
 Cover Discs with Discs & Scrapers
 Heavy Duty Disc Scrapers
 Double Tapered Discs on Rear
 Single Tapered Discs on Front
 15" x 8" 6-Lug Wheels w/ Hubs
 Dual Wheels on Center Section

| MODEL NUMBER | DISC DIAM | TYPE OF DISC | | DISC THCK | # OF DISC | DISC SPACING | | # OF BRGS | APX WT | SUGST PRICE |
|--------------------|--------------|--------------|------|--------------|--------------|--------------|--------|--------------|-----------|----------------|
| | | FRNT | REAR | | | FRNT | REAR | | | |
| <u>16' 8" WIDE</u> | | | | | | | | | | |
| 116-4427-651 | 22" | C.O. | C.O. | .197 | 44 | 9" | 9" | 16 | 7233 | \$38,970 |
| 116-4427-661 | 24" | C.O. | C.O. | .197 | 44 | 9" | 9" | 16 | 7319 | \$39,710 |
| 116-4427-751 | 22" | SM. | SM. | .197 | 44 | 9" | 9" | 16 | 7277 | \$38,441 |
| 116-4427-761 | 24" | SM. | SM. | .197 | 44 | 9" | 9" | 16 | 7374 | \$38,989 |
| 116-4427-851 | 22" | C.O. | SM. | .197 | 44 | 9" | 9" | 16 | 7255 | \$38,713 |
| 116-4427-861 | 24" | C.O. | SM. | .197 | 44 | 9" | 9" | 16 | 7347 | \$39,362 |
| 116-4837-651 | 22" | C.O. | C.O. | .197 | 48 | 9" | 7-1/2" | 16 | 7350 | \$39,726 |
| 116-4837-751 | 22" | SM. | SM. | .197 | 48 | 9" | 7-1/2" | 16 | 7398 | \$39,148 |
| 116-4837-851 | 22" | C.O. | SM. | .197 | 48 | 9" | 7-1/2" | 16 | 7376 | \$39,421 |
| 116-5217-651 | 22" | C.O. | C.O. | .197 | 52 | 7-1/2" | 7-1/2" | 16 | 7496 | \$40,501 |
| 116-5217-751 | 22" | SM. | SM. | .197 | 52 | 7-1/2" | 7-1/2" | 16 | 7548 | \$39,867 |
| 116-5217-851 | 22" | C.O. | SM. | .197 | 52 | 7-1/2" | 7-1/2" | 16 | 7522 | \$40,198 |

| MODEL NUMBER | DISC DIAM | TYPE OF DISC | | DISC THCK | # OF DISC | DISC SPACING | | # OF BRGS | APX WT | SUGST PRICE |
|--------------------|--------------|--------------|------|--------------|--------------|--------------|--------|--------------|-----------|----------------|
| | | FRNT | REAR | | | FRNT | REAR | | | |
| <u>19' 6" WIDE</u> | | | | | | | | | | |
| 116-5227-651 | 22" | C.O. | C.O. | .197 | 52 | 9" | 9" | 16 | 7635 | \$40,776 |
| 116-5227-661 | 24" | C.O. | C.O. | .197 | 52 | 9" | 9" | 16 | 7735 | \$41,651 |
| 116-5227-751 | 22" | SM. | SM. | .197 | 52 | 9" | 9" | 16 | 7687 | \$40,168 |
| 116-5227-761 | 24" | SM. | SM. | .197 | 52 | 9" | 9" | 16 | 7800 | \$40,881 |
| 116-5227-851 | 22" | C.O. | SM. | .197 | 52 | 9" | 9" | 16 | 7661 | \$40,504 |
| 116-5227-861 | 24" | C.O. | SM. | .197 | 52 | 9" | 9" | 16 | 7768 | \$41,231 |
| 116-5637-651 | 22" | C.O. | C.O. | .197 | 56 | 9" | 7-1/2" | 16 | 7734 | \$41,615 |
| 116-5637-751 | 22" | SM. | SM. | .197 | 56 | 9" | 7-1/2" | 16 | 7790 | \$40,904 |
| 116-5637-851 | 22" | C.O. | SM. | .197 | 56 | 9" | 7-1/2" | 16 | 7764 | \$41,231 |
| 116-6017-651 | 22" | C.O. | C.O. | .197 | 60 | 7-1/2" | 7-1/2" | 16 | 7885 | \$42,339 |
| 116-6017-751 | 22" | SM. | SM. | .197 | 60 | 7-1/2" | 7-1/2" | 16 | 7945 | \$41,608 |
| 116-6017-851 | 22" | C.O. | SM. | .197 | 60 | 7-1/2" | 7-1/2" | 16 | 7915 | \$41,993 |
| <u>22' 0" WIDE</u> | | | | | | | | | | |
| 116-5627-651 | 22" | C.O. | C.O. | .197 | 56 | 9" | 9" | 16 | 7756 | \$41,579 |
| 116-5627-661 | 24" | C.O. | C.O. | .197 | 56 | 9" | 9" | 16 | 8002 | \$42,507 |
| 116-5627-751 | 22" | SM. | SM. | .197 | 56 | 9" | 9" | 16 | 7872 | \$41,202 |
| 116-5627-761 | 24" | SM. | SM. | .197 | 56 | 9" | 9" | 16 | 8059 | \$41,945 |
| 116-5627-851 | 22" | C.O. | SM. | .197 | 56 | 9" | 9" | 16 | 7830 | \$41,397 |
| 116-5627-861 | 24" | C.O. | SM. | .197 | 56 | 9" | 9" | 16 | 8031 | \$42,520 |
| 116-6237-651 | 22" | C.O. | C.O. | .197 | 62 | 9" | 7-1/2" | 16 | 7890 | \$42,214 |
| 116-6237-751 | 22" | SM. | SM. | .197 | 62 | 9" | 7-1/2" | 16 | 7982 | \$41,898 |
| 116-6237-851 | 22" | C.O. | SM. | .197 | 62 | 9" | 7-1/2" | 16 | 7940 | \$41,977 |
| 116-6817-651 | 22" | C.O. | C.O. | .197 | 68 | 7-1/2" | 7-1/2" | 18 | 8237 | \$45,349 |
| 116-6817-751 | 22" | SM. | SM. | .197 | 68 | 7-1/2" | 7-1/2" | 18 | 8338 | \$44,642 |
| 116-6817-851 | 22" | C.O. | SM. | .197 | 68 | 7-1/2" | 7-1/2" | 18 | 8284 | \$45,110 |
| <u>23' 4" WIDE</u> | | | | | | | | | | |
| 116-6027-652 | 22" | C.O. | C.O. | .197 | 60 | 9" | 9" | 20 | 8567 | \$44,897 |
| 116-6027-662 | 24" | C.O. | C.O. | .197 | 60 | 9" | 9" | 20 | 8451 | \$45,887 |
| 116-6027-752 | 22" | SM. | SM. | .197 | 60 | 9" | 9" | 20 | 8627 | \$44,160 |
| 116-6027-762 | 24" | SM. | SM. | .197 | 60 | 9" | 9" | 20 | 8526 | \$44,881 |
| 116-6027-852 | 22" | C.O. | SM. | .197 | 60 | 9" | 9" | 20 | 8597 | \$44,541 |
| 116-6027-862 | 24" | C.O. | SM. | .197 | 60 | 9" | 9" | 20 | 8477 | \$45,399 |
| 116-6637-652 | 22" | C.O. | C.O. | .197 | 66 | 9" | 7-1/2" | 20 | 8723 | \$46,050 |
| 116-6637-752 | 22" | SM. | SM. | .197 | 66 | 9" | 7-1/2" | 20 | 8822 | \$45,232 |
| 116-6637-852 | 22" | C.O. | SM. | .197 | 66 | 9" | 7-1/2" | 20 | 8789 | \$45,617 |
| 116-7217-652 | 22" | C.O. | C.O. | .197 | 72 | 7-1/2" | 7-1/2" | 20 | 8898 | \$47,263 |
| 116-7217-752 | 22" | SM. | SM. | .197 | 72 | 7-1/2" | 7-1/2" | 20 | 8970 | \$46,366 |
| 116-7217-852 | 22" | C.O. | SM. | .197 | 72 | 7-1/2" | 7-1/2" | 20 | 8934 | \$46,829 |

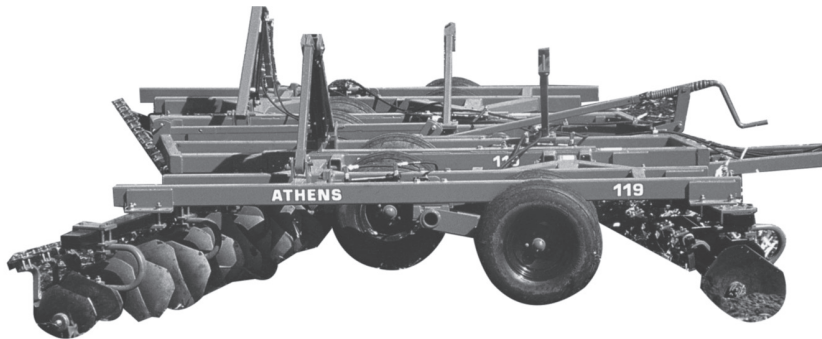
| <u>MODEL NUMBER</u> | <u>DISC DIAM</u> | <u>TYPE OF DISC</u> | | <u>DISC THCK</u> | <u># OF DISC</u> | <u>DISC SPACING</u> | | <u># OF BRGS</u> | <u>APX WT</u> | <u>SUGST PRICE</u> |
|---------------------|------------------|---------------------|-------------|------------------|------------------|---------------------|-------------|------------------|---------------|--------------------|
| | | <u>FRNT</u> | <u>REAR</u> | | | <u>FRNT</u> | <u>REAR</u> | | | |
| <u>26' 0" WIDE</u> | | | | | | | | | | |
| 116-7027-653 | 22" | C.O. | C.O. | .197 | 68 | 9" | 9" | 24 | 9699 | \$50,656 |
| 116-7027-663 | 24" | C.O. | C.O. | .197 | 68 | 9" | 9" | 24 | 9826 | \$51,704 |
| 116-7027-753 | 22" | SM. | SM. | .197 | 68 | 9" | 9" | 24 | 9767 | \$49,804 |
| 116-7027-763 | 24" | SM. | SM. | .197 | 68 | 9" | 9" | 24 | 9912 | \$50,908 |
| 116-7027-853 | 22" | C.O. | SM. | .197 | 68 | 9" | 9" | 24 | 9733 | \$50,226 |
| 116-7027-863 | 24" | C.O. | SM. | .197 | 68 | 9" | 9" | 24 | 9870 | \$51,162 |
| <u>28' 8" WIDE</u> | | | | | | | | | | |
| 116-7827-653 | 22" | C.O. | C.O. | .197 | 76 | 9" | 9" | 24 | 10135 | \$53,727 |
| 116-7827-663 | 24" | C.O. | C.O. | .197 | 76 | 9" | 9" | 24 | 10305 | \$54,518 |
| 116-7827-753 | 22" | SM. | SM. | .197 | 76 | 9" | 9" | 24 | 10250 | \$53,202 |
| 116-7827-763 | 24" | SM. | SM. | .197 | 76 | 9" | 9" | 24 | 10420 | \$53,996 |
| 116-7827-853 | 22" | C.O. | SM. | .197 | 76 | 9" | 9" | 24 | 10200 | \$53,465 |
| 116-7827-863 | 24" | C.O. | SM. | .197 | 76 | 9" | 9" | 24 | 10310 | \$54,253 |

| <u>EXTRA EQUIPMENT</u> | | <u>APX WT</u> | <u>SUGST PRICE</u> |
|------------------------|---|---------------|--------------------|
| 9-116-606158 | Dual Wheels for Narrow Wing Units (16' 8" & 19' 6") w/ Two 15 x 6, Six Lug Wheels Dual Wheels Standard on 22' 0" and up | 112# | \$1,199 |
| 106122 | AG LIGHT KIT | 18# | \$500 |

Tapered Double Roller Bearings available at \$130.00 per bearing

RECOMMENDED TIRE SIZE: 11L x 15
CAUTION: TIRES ARE RATED AT 20 MPH MAXIMUM.
***PRICE DOES NOT INCLUDE TIRES.**

ATHENS 119 FLEX WING DOUBLE OFFSET DISK HARROW



SPECIFICATIONS:

Cutting Width – 19' 6" to 29' 0"
 Flex Wing, Double Offset
 Truss-Braced, Tubular Frames
 Two Pairs Slave Lifting Cylinders
 Six or Eight Wheels
 Angle Adjustable (15° & 19°)
 Transport Height Maximum, 168"
 Transport Width Maximum, 136" or 156"
 22" Discs on 1 ¼" Square Axle
 Disc Spacing – 9"
 "A" Frame Braced Tongue

STANDARD EQUIPMENT:

QUADRASEAL Tapered
 Double Roller Bearings
 Spring Bearing Hangers
 Lifting and Folding Hydraulics
 Tongue with Heavy-Duty Jack
 Reversible, Balanced Clevis
 Cover-Discs w/ Scrapers
 Heavy-Duty Disc Scrapers
 Double Tapered Discs on Rear
 Single Tapered Discs on Front
 15" x 8" 6-Lug Wheels w/ Hubs
 Dual Wheels on Center Section

| <u>MODEL NUMBER</u> | <u>DISC DIAM</u> | <u>TYPE OF DISC</u> | | <u>DISC THCK</u> | <u># OF DISC</u> | <u>DISC SPACING</u> | <u># OF BRGS</u> | <u>APX WT</u> | <u>SUGST PRICE</u> |
|---------------------------|------------------|---------------------|------|------------------|------------------|---------------------|------------------|---------------|--------------------|
| | | FRNT | REAR | | | | | | |
| <u>19' 6" WIDE</u> | | | | | | | | | |
| 119-5424-651 | 22" | C.O. | C.O. | .197 | 52 | 9" | 18 | 8070 | \$47,155 |
| 119-5424-751 | 22" | SM. | SM. | .197 | 52 | 9" | 18 | 8122 | \$46,463 |
| 119-5424-851 | 22" | C.O. | SM. | .197 | 52 | 9" | 18 | 8096 | \$46,825 |
| <u>22' 0" WIDE</u> | | | | | | | | | |
| 119-5824-651 | 22" | C.O. | C.O. | .197 | 56 | 9" | 18 | 8451 | \$47,962 |
| 119-5824-751 | 22" | SM. | SM. | .197 | 56 | 9" | 18 | 8272 | \$47,544 |
| 119-5824-851 | 22" | C.O. | SM. | .197 | 56 | 9" | 18 | 8230 | \$47,753 |
| <u>23' 4" WIDE</u> | | | | | | | | | |
| 119-6224-652 | 22" | C.O. | C.O. | .197 | 60 | 9" | 22 | 9182 | \$53,314 |
| 119-6224-752 | 22" | SM. | SM. | .197 | 60 | 9" | 22 | 9242 | \$52,496 |
| 119-6224-852 | 22" | C.O. | SM. | .197 | 60 | 9" | 22 | 9212 | \$52,925 |

| <u>MODEL NUMBER</u> | <u>DISC DIAM</u> | <u>TYPE OF DISC</u> | | <u>DISC THCK</u> | <u># OF DISC</u> | <u>DISC SPACING</u> | <u># OF BRGS</u> | <u>APX WT</u> | <u>SUGST PRICE</u> |
|---------------------|------------------|---------------------|------|------------------|------------------|---------------------|------------------|---------------|--------------------|
| | | FRNT | REAR | | | | | | |
| <u>26' 0" WIDE</u> | | | | | | | | | |
| 119-7024-652 | 22" | C.O. | C.O. | .197 | 68 | 9" | 24 | 9690 | \$57,398 |
| 119-7024-752 | 22" | SM. | SM. | .197 | 68 | 9" | 24 | 9758 | \$56,469 |
| 119-7024-852 | 22" | C.O. | SM. | .197 | 68 | 9" | 24 | 9724 | \$56,955 |

29' 0" WIDE

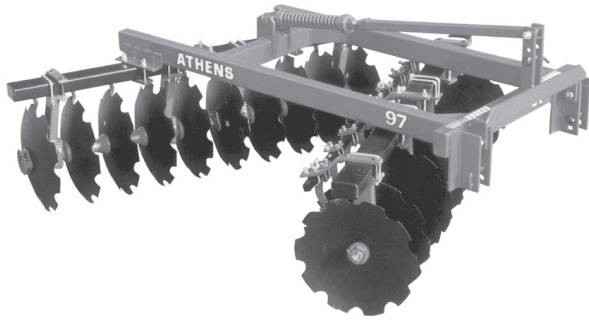
| | | | | | | | | | |
|--------------|-----|------|------|------|----|----|----|-------|----------|
| 119-7824-652 | 22" | C.O. | C.O. | .197 | 76 | 9" | 24 | 10203 | \$62,292 |
| 119-7824-752 | 22" | SM. | SM. | .197 | 76 | 9" | 24 | 10271 | \$61,306 |
| 119-7824-852 | 22" | C.O. | SM. | .197 | 76 | 9" | 24 | 10237 | \$61,799 |

| <u>EXTRA EQUIPMENT</u> | | | | | | | | <u>APX WT</u> | <u>SUGST PRICE</u> |
|------------------------|--|--|--|--|--|--|--|---------------|--------------------|
|------------------------|--|--|--|--|--|--|--|---------------|--------------------|

| | | | | | | | | | |
|--------------|---|--|--|--|--|--|--|-----|---------|
| 9-119-606158 | DUAL WHEELS FOR NARROW WING UNITS FOR 19' 6" W/ TWO 15 X 6, SIX LUG WHEELS (DUAL WHEELS STANDARD ON WIDE WINGS 22' 0" & UP) | | | | | | | 86# | \$1,199 |
| 106122 | AG LIGHT KIT | | | | | | | 18# | \$500 |

RECOMMENDED TIRE SIZE: 11L X 15
CAUTION: TIRES ARE RATED AT 20 MPH MAXIMUM.
*PRICE DOES NOT INCLUDE TIRES.

ATHENS 97 LIFT-TYPE OFFSET DISK HARROW



SPECIFICATIONS:

Cutting Width 6' 2" to 9' 0"
 22" or 24" Diameter C/O Discs
 Spacing – 9"
 Category II Hitch
 Relube Ball Bearings
 1 ¼" Cold Rolled Square Axle
 with Gang Wrench
 Rigid or Spring Bearing Hangers

| <u>MODEL NUMBER</u> | <u>DISC DIAM</u> | <u>TYPE OF DISC</u> | | <u>DISC THCK</u> | <u># OF DISC</u> | <u>DISC SPACING</u> | <u># OF BRGS</u> | <u>APX WT</u> | <u>SUGST PRICE</u> |
|---------------------|------------------|---------------------|------|------------------|------------------|---------------------|------------------|---------------|--------------------|
| | | FRNT | REAR | | | | | | |
| <u>6' 2" WIDE</u> | | | | | | | | | |
| 097-1627-650 | 22" | C.O. | C.O. | .197 | 16 | 9" | 6 | 1337 | \$6,754 |
| 097-1627-660 | 24" | C.O. | C.O. | .197 | 16 | 9" | 6 | 1385 | \$7,048 |
| <u>6' 10" WIDE</u> | | | | | | | | | |
| 097-1827-650 | 22" | C.O. | C.O. | .197 | 18 | 9" | 8 | 1511 | \$7,840 |
| 097-1827-660 | 24" | C.O. | C.O. | .197 | 18 | 9" | 8 | 1565 | \$8,169 |
| <u>7' 6" WIDE</u> | | | | | | | | | |
| 097-2027-650 | 22" | C.O. | C.O. | .197 | 20 | 9" | 8 | 1612 | \$7,966 |
| 097-2027-660 | 24" | C.O. | C.O. | .197 | 20 | 9" | 8 | 1672 | \$8,332 |
| <u>WIDE FRAME</u> | | | | | | | | | |
| <u>8' 4" WIDE</u> | | | | | | | | | |
| 097-2227-650 | 22" | C.O. | C.O. | .197 | 22 | 9" | 8 | 1732 | \$8,556 |
| 097-2227-660 | 24" | C.O. | C.O. | .197 | 22 | 9" | 8 | 1798 | \$8,959 |
| <u>9' 0" WIDE</u> | | | | | | | | | |
| 097-2427-650 | 22" | C.O. | C.O. | .197 | 24 | 9" | 8 | 1826 | \$9,370 |
| 097-2427-660 | 24" | C.O. | C.O. | .197 | 24 | 9" | 8 | 1898 | \$9,810 |

OPTIONAL EQUIPMENT

For Spring Bearing Hangers:
 Change the 7th Digit from 7 to 6 and add 15#
 and \$80.00 per Bearing to Weights and Prices.

(CONT'D)

EXTRA EQUIPMENT

SCRAPERS

| | | | |
|---------------|------------------|-----|---------|
| 9-097-916270 | For 6' 2" Units | 190 | \$884 |
| *9-097-916260 | | 200 | \$972 |
| 9-097-918270 | For 6' 10" Units | 222 | \$1,063 |
| *9-097-918260 | | 241 | \$1,178 |
| 9-097-920270 | For 7' 6" Units | 242 | \$1,138 |
| *9-097-920260 | | 259 | \$1,257 |
| 9-097-922270 | For 8' 4" Units | 261 | \$1,209 |
| *9-097-922260 | | 278 | \$1,329 |
| 9-097-924270 | For 9' 0" Units | 280 | \$1,262 |
| *9-097-924260 | | 298 | \$1,424 |

*For Units with Spring Bearing Hangers

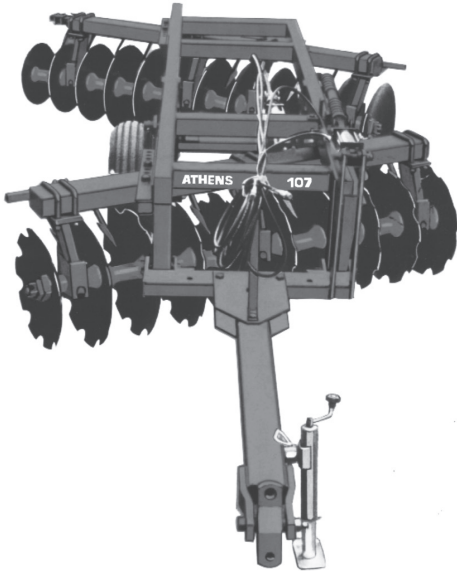
COVER DISC

| | | | |
|--------------|--|----|-------|
| 9-097-700018 | Cover Disc Assembly with 18" Blade w/o Scraper | 20 | \$145 |
| 9-097-709018 | Cover Disc Assembly with 18" Blade w/ Scraper | 28 | \$170 |

QUICK HITCH BUSHINGS

| | | | |
|--------|---|---|-------|
| 101733 | Cat. II & III Quick Coupler Adapter for 8' 4" and 9' 0" Units | 7 | \$130 |
|--------|---|---|-------|

ATHENS 107 OFFSET DISK HARROW



SPECIFICATIONS:

Cutting Width – 6' 2" to 8' 2"
 22" or 24" Diameter Discs w /9" Spacing
 Relube QUAD Ball Bearings
 Gang Axle: 1 ¼" Square
 Gang Frames: 3 x 5 x ¼" Tube

STANDARD EQUIPMENT:

Extra Disc on Right Rear
 Cover Disc w/ Scraper
 Balanced, Reversible Clevis
 Heavy Duty Tongue w/ Jack
 1 ¼" Cold Rolled Square Axles
 w/ Gang Wrench
 Heavy Duty Scrapers (Tubular Mtd.)
 Wheel Hubs w/ 15" Wheels
 Tapered Discs on Rt Rear and Rt Front
 Hydraulic Lifting w/ Mechanical Transport

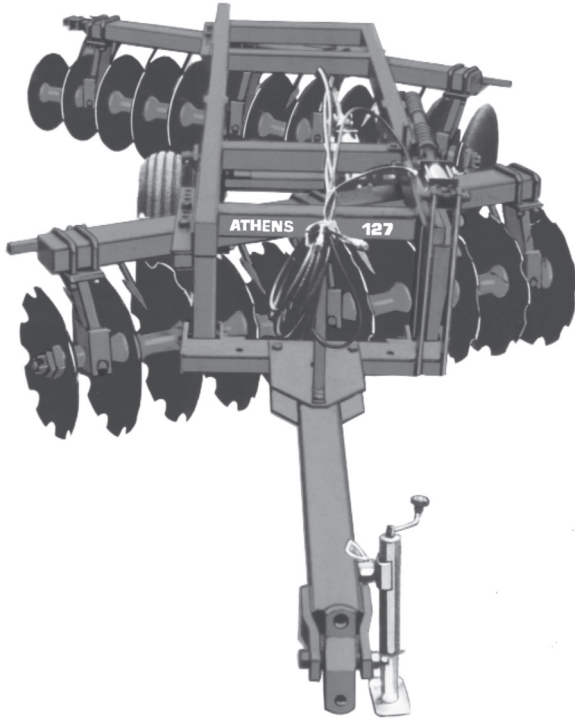
| <u>MODEL NUMBER</u> | <u>DISC DIAM</u> | <u>TYPE OF DISC</u> | | <u>DISC THCK</u> | <u># OF DISC</u> | <u>DISC SPACING</u> | <u># OF BRGS</u> | <u>APX WT</u> | <u>SUGST PRICE</u> |
|---------------------|------------------|---------------------|------|------------------|------------------|---------------------|------------------|---------------|--------------------|
| | | FRNT | REAR | | | | | | |
| <u>6' 2" WIDE</u> | | | | | | | | | |
| 107-1727-650 | 22" | C.O. | C.O. | .197 | 17 | 9" | 6 | 2259 | \$11,371 |
| 107-1727-850 | 22" | C.O. | SM. | .197 | 17 | 9" | 6 | 2268 | \$11,188 |
| 107-1727-660 | 24" | C.O. | C.O. | .197 | 17 | 9" | 6 | 2334 | \$11,634 |
| 107-1727-760 | 24" | SM. | SM. | .197 | 17 | 9" | 6 | 2360 | \$11,550 |
| 107-1727-860 | 24" | C.O. | SM. | .197 | 17 | 9" | 6 | 2347 | \$11,589 |
| <u>6' 10" WIDE</u> | | | | | | | | | |
| 107-1927-650 | 22" | C.O. | C.O. | .197 | 19 | 9" | 6 | 2400 | \$11,942 |
| 107-1927-850 | 22" | C.O. | SM. | .197 | 19 | 9" | 6 | 2410 | \$11,890 |
| 107-1927-660 | 24" | C.O. | C.O. | .197 | 19 | 9" | 6 | 2476 | \$12,111 |
| 107-1927-760 | 24" | SM. | SM. | .197 | 19 | 9" | 6 | 2502 | \$11,993 |
| 107-1927-860 | 24" | C.O. | SM. | .197 | 19 | 9" | 6 | 2489 | \$12,049 |
| <u>7' 6" WIDE</u> | | | | | | | | | |
| 107-2127-650 | 22" | C.O. | C.O. | .197 | 21 | 9" | 6 | 2514 | \$12,644 |
| 107-2127-850 | 22" | C.O. | SM. | .197 | 21 | 9" | 6 | 2526 | \$12,480 |
| 107-2127-660 | 24" | C.O. | C.O. | .197 | 21 | 9" | 6 | 2592 | \$12,921 |
| 107-2127-760 | 24" | SM. | SM. | .197 | 21 | 9" | 6 | 2618 | \$12,807 |
| 107-2127-860 | 24" | C.O. | SM. | .197 | 21 | 9" | 6 | 2605 | \$12,860 |
| <u>8' 2" WIDE</u> | | | | | | | | | |
| 107-2327-650 | 22" | C.O. | C.O. | .197 | 23 | 9" | 8 | 2629 | \$13,544 |
| 107-2327-850 | 22" | C.O. | SM. | .197 | 23 | 9" | 8 | 2642 | \$13,363 |
| 107-2327-660 | 24" | C.O. | C.O. | .197 | 23 | 9" | 8 | 2708 | \$13,784 |
| 107-2327-760 | 24" | SM. | SM. | .197 | 23 | 9" | 8 | 2734 | \$13,725 |
| 107-2327-860 | 24" | C.O. | SM. | .197 | 23 | 9" | 8 | 2720 | \$13,753 |

RECOMMENDED TIRE SIZE: 9.5L x 15

CAUTION: TIRES ARE RATED AT 20 MPH MAXIMUM.

****PRICE DOES NOT INCLUDE TIRES**

ATHENS 127 OFFSET DISK HARROW



SPECIFICATIONS:

Cutting Width – 6' 6" to 12' 6"
 24" Diameter Discs C/O or SM
 Spacing – 9 ½"
 Relube QUAD Ball Bearings or
 QUAD Tapered Double Roller Bearings
 w/ Rigid or Spring Bearing Hangers
 Single or Dual Wheels

STANDARD EQUIPMENT:

Extra Disc on Right Rear
 Cover Disc w/ Scraper
 Balanced, Reversible Clevis
 Heavy-Duty Tongue w/Jack
 1 ½" Cold Rolled Square Axles
 w/ Gang Wrench
 Heavy-Duty Scrapers (Tubular Mtd)
 Wheel Hubs w/ 15" Wheels
 Tapered Discs on Rt Rear & Rt Frt
 Mechanical Transport
 Hydraulic Leveling Complete
 Hydraulic Lifting Complete

| <u>MODEL NUMBER</u> | <u>DISC DIAM</u> | <u>TYPE OF DISC</u> | | <u>DISC THCK</u> | <u># OF DISC</u> | <u>DISC SPACING</u> | <u># OF BRGS</u> | <u>APX WT</u> | <u>SUGST PRICE</u> |
|---------------------|------------------|---------------------|-------------|------------------|------------------|---------------------|------------------|---------------|--------------------|
| | | <u>FRNT</u> | <u>REAR</u> | | | | | | |

127 OFFSET DISK W/ 3 x 5 TUBULAR FRAME & 5 LUG HUBS

6' 6" WIDE

W/ QUAD BALL BEARINGS

| | | | | | | | | | |
|--------------|-----|------|------|------|----|--------|---|------|----------|
| 127-1747-657 | 24" | C.O. | C.O. | .256 | 17 | 9-1/2" | 6 | 2711 | \$14,763 |
| 127-1747-757 | 24" | SM. | SM. | .256 | 17 | 9-1/2" | 6 | 2714 | \$14,456 |
| 127-1747-857 | 24" | C.O. | SM. | .256 | 17 | 9-1/2" | 6 | 2722 | \$14,613 |

W/ QUAD TAPERED DOUBLE ROLLER BEARINGS

| | | | | | | | | | |
|--------------|-----|------|------|------|----|--------|---|------|----------|
| 127-1745-657 | 24" | C.O. | C.O. | .256 | 17 | 9-1/2" | 6 | 2686 | \$16,075 |
| 127-1745-757 | 24" | SM. | SM. | .256 | 17 | 9-1/2" | 6 | 2689 | \$15,771 |
| 127-1745-857 | 24" | C.O. | SM. | .256 | 17 | 9-1/2" | 6 | 2697 | \$15,933 |

7' 3" WIDE

W/ QUAD BALL BEARINGS

| | | | | | | | | | |
|--------------|-----|------|------|------|----|--------|---|------|----------|
| 127-1947-657 | 24" | C.O. | C.O. | .256 | 19 | 9-1/2" | 6 | 2854 | \$15,687 |
| 127-1947-757 | 24" | SM. | SM. | .256 | 19 | 9-1/2" | 6 | 2728 | \$15,435 |
| 127-1947-857 | 24" | C.O. | SM. | .256 | 19 | 9-1/2" | 6 | 2867 | \$15,516 |

W/ QUAD TAPERED DOUBLE ROLLER BEARINGS

| | | | | | | | | | |
|--------------|-----|------|------|------|----|--------|---|------|----------|
| 127-1945-657 | 24" | C.O. | C.O. | .256 | 19 | 9-1/2" | 6 | 2829 | \$17,017 |
| 127-1945-757 | 24" | SM. | SM. | .256 | 19 | 9-1/2" | 6 | 2703 | \$16,669 |
| 127-1945-857 | 24" | C.O. | SM. | .256 | 19 | 9-1/2" | 6 | 2842 | \$16,852 |

| <u>MODEL NUMBER</u> | <u>DISC DIAM</u> | <u>TYPE OF DISC</u> | | <u>DISC THCK</u> | <u># OF DISC</u> | <u>DISC SPACING</u> | <u># OF BRGS</u> | <u>APX WT</u> | <u>SUGST PRICE</u> |
|--|------------------|---------------------|------|------------------|------------------|---------------------|------------------|---------------|--------------------|
| | | FRNT | REAR | | | | | | |
| <u>8' 0" WIDE</u> | | | | | | | | | |
| <u>W/ QUAD BALL BEARINGS</u> | | | | | | | | | |
| 127-2147-657 | 24" | C.O. | C.O. | .256 | 21 | 9-1/2" | 7 | 3046 | \$16,840 |
| 127-2147-757 | 24" | SM. | SM. | .256 | 21 | 9-1/2" | 7 | 3055 | \$16,451 |
| 127-2147-857 | 24" | C.O. | SM. | .256 | 21 | 9-1/2" | 7 | 3060 | \$16,616 |
| <u>W/ QUAD TAPERED DOUBLE ROLLER BEARINGS</u> | | | | | | | | | |
| 127-2145-657 | 24" | C.O. | C.O. | .256 | 21 | 9-1/2" | 7 | 3016 | \$18,375 |
| 127-2145-757 | 24" | SM. | SM. | .256 | 21 | 9-1/2" | 7 | 3025 | \$17,974 |
| 127-2145-857 | 24" | C.O. | SM. | .256 | 21 | 9-1/2" | 7 | 3030 | \$18,179 |
| <u>8' 9" WIDE</u> | | | | | | | | | |
| <u>W/ QUAD BALL BEARINGS</u> | | | | | | | | | |
| 127-2347-657 | 24" | C.O. | C.O. | .256 | 23 | 9-1/2" | 8 | 3272 | \$17,993 |
| 127-2347-757 | 24" | SM. | SM. | .256 | 23 | 9-1/2" | 8 | 3296 | \$17,568 |
| 127-2347-857 | 24" | C.O. | SM. | .256 | 23 | 9-1/2" | 8 | 3287 | \$17,773 |
| <u>W/ QUAD TAPERED DOUBLE ROLLER BEARINGS</u> | | | | | | | | | |
| 127-2345-657 | 24" | C.O. | C.O. | .256 | 23 | 9-1/2" | 8 | 3238 | \$19,717 |
| 127-2345-757 | 24" | SM. | SM. | .256 | 23 | 9-1/2" | 8 | 3262 | \$19,112 |
| 127-2345-857 | 24" | C.O. | SM. | .256 | 23 | 9-1/2" | 8 | 3253 | \$19,320 |
| <u>127 OFFSET DISK W/ 4 x 6 TUBULAR FRAME & 6 LUG HUBS</u> | | | | | | | | | |
| <u>9' 6" WIDE</u> | | | | | | | | | |
| <u>W/ QUAD BALL BEARINGS</u> | | | | | | | | | |
| 127-2547-657 | 24" | C.O. | C.O. | .256 | 25 | 9-1/2" | 8 | 3949 | \$21,928 |
| 127-2547-757 | 24" | SM. | SM. | .256 | 25 | 9-1/2" | 8 | 3975 | \$21,450 |
| 127-2547-857 | 24" | C.O. | SM. | .256 | 25 | 9-1/2" | 8 | 3965 | \$21,952 |
| <u>W/ QUAD TAPERED DOUBLE ROLLER BEARINGS</u> | | | | | | | | | |
| 127-2545-657 | 24" | C.O. | C.O. | .256 | 25 | 9-1/2" | 8 | 3916 | \$23,709 |
| 127-2545-757 | 24" | SM. | SM. | .256 | 25 | 9-1/2" | 8 | 3941 | \$23,226 |
| 127-2545-857 | 24" | C.O. | SM. | .256 | 25 | 9-1/2" | 8 | 3931 | \$23,476 |
| <u>11' 0" WIDE</u> | | | | | | | | | |
| <u>W/ QUAD BALL BEARINGS</u> | | | | | | | | | |
| 127-2947-658 | 24" | C.O. | C.O. | .256 | 29 | 9-1/2" | 9 | 4467 | \$23,548 |
| 127-2947-758 | 24" | SM. | SM. | .256 | 29 | 9-1/2" | 9 | 4504 | \$23,019 |
| 127-2947-858 | 24" | C.O. | SM. | .256 | 29 | 9-1/2" | 9 | 4485 | \$23,287 |
| <u>W/ QUAD TAPERED DOUBLE ROLLER BEARINGS</u> | | | | | | | | | |
| 127-2945-658 | 24" | C.O. | C.O. | .256 | 29 | 9-1/2" | 9 | 4379 | \$25,291 |
| 127-2945-758 | 24" | SM. | SM. | .256 | 29 | 9-1/2" | 9 | 4466 | \$24,428 |
| 127-2945-858 | 24" | C.O. | SM. | .256 | 29 | 9-1/2" | 9 | 4447 | \$25,034 |
| <u>12' 6" WIDE</u> | | | | | | | | | |
| <u>W/ QUAD BALL BEARINGS</u> | | | | | | | | | |
| 127-3347-658 | 24" | C.O. | C.O. | .256 | 33 | 9-1/2" | 12 | 4985 | \$25,879 |
| 127-3347-758 | 24" | SM. | SM. | .256 | 33 | 9-1/2" | 12 | 5027 | \$25,276 |
| 127-3347-858 | 24" | C.O. | SM. | .256 | 33 | 9-1/2" | 12 | 5005 | \$25,584 |

| <u>MODEL NUMBER</u> | <u>DISC DIAM</u> | <u>TYPE OF DISC</u> | | <u>DISC THCK</u> | <u># OF DISC</u> | <u>DISC SPACING</u> | <u># OF BRGS</u> | <u>APX WT</u> | <u>SUGST PRICE</u> |
|---|------------------|---------------------|------|------------------|------------------|---------------------|------------------|---------------|--------------------|
| | | FRNT | REAR | | | | | | |
| <u>12' 6" WIDE W/ QUAD TAPERED DOUBLE ROLLER BEARINGS</u> | | | | | | | | | |
| 127-3345-658 | 24" | C.O. | C.O. | .256 | 33 | 9-1/2" | 12 | 4935 | \$27,676 |
| 127-3345-758 | 24" | SM. | SM. | .256 | 33 | 9-1/2" | 12 | 4987 | \$27,059 |
| 127-3345-858 | 24" | C.O. | SM. | .256 | 33 | 9-1/2" | 12 | 4957 | \$27,370 |

SPECIAL ORDERING INFORMATION:

SPRING BEARING HANGERS W/ TAPERED DOUBLE ROLLER BEARINGS

To order Spring Bearing Hangers, change the 7th digit from a 5 to 4, and add 31# and \$135.00 per bearing to weights and prices for units with QUAD Tapered Double Roller Bearings.

MANUAL LEVELING

To order a turnbuckle for Manual Leveling in place of a cylinder and hoses as listed in the price list, change the 10th digit for 16-23 disc units from "7" to "0" or for 24-33 disc units from "8" to "1" and deduct 13# and \$208.00.

UNITS WITHOUT AN EXTRA DISC ON RIGHT REAR

Units shown in the price list have an extra disc on the right rear and are strongly recommended by ATHENS to improve performance, reduce the need for adjustments, and to allow disking back and forth without an open furrow. To order units with the same number of discs on the front and rear, change 4th and 5th digits to one number lower (as 17 to 16), and reduce the weight by 70# and reduce the price by \$85.00.

EXTRA EQUIPMENT

APX WT SUGST PRICE

9-127-605156 DUAL WHEELS FOR 16-23 DISC UNITS
(DUAL WHEELS STANDARD ON 9' 6" AND UP)

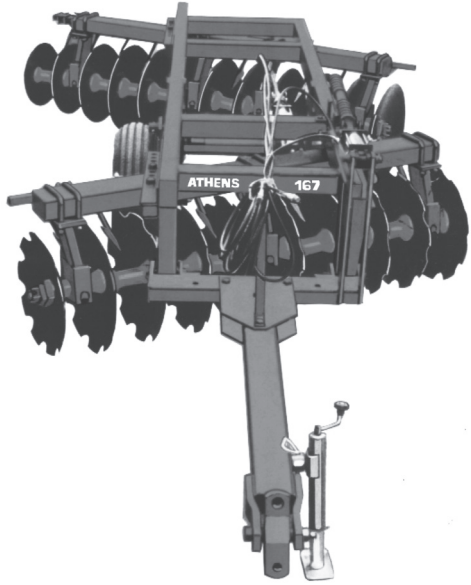
82# \$899

RECOMMENDED TIRE SIZE: NARROW FRAME W/ 5 LUG HUBS, 9.5L X 15
WIDE FRAME W/ 6 LUG HUBS, 11L X 15

CAUTION: TIRES ARE RATED AT 20 MPH MAXIMUM.

*** PRICE DOES NOT INCLUDE TIRES.**

ATHENS 167 OFFSET DISK HARROW



SPECIFICATIONS:

Cutting Width – 7' 1" to 12' 1"
 26" Diameter Discs C/O or SM
 Spacing – 10 ½"
 QUADRASEAL Ball Bearings or
 Tapered Double Roller Bearings w/
 Rigid or Spring Bearing Hangers

STANDARD EQUIPMENT:

Cover Disc w/ Scraper
 Extra Disc on Right Rear
 Heavy-Duty Tongue w/Jack
 Balanced, Reversible Clevis
 1 ½" Cold Rolled Sq. Axle
 Wheel Hubs w/ 15" x 8" Wheels
 Heavy-Duty Scrapers (Tubular Mtd.)
 Tapered Discs on Rt Rear & Rt Frt
 Adjustable Angle of Cut
 Hydraulic Lifting w/ Mech. Transport
 Hydraulic Leveling Complete

| <u>MODEL NUMBER</u> | <u>DISC DIAM</u> | <u>TYPE OF DISC</u> FRNT REAR | <u>DISC THCK</u> | <u># OF DISC</u> | <u>DISC SPACING</u> | <u># OF BRGS</u> | <u>APX WT</u> | <u>SUGST PRICE</u> |
|---------------------|------------------|----------------------------------|------------------|------------------|---------------------|------------------|---------------|--------------------|
|---------------------|------------------|----------------------------------|------------------|------------------|---------------------|------------------|---------------|--------------------|

167 OFFSET DISK W/ 3 x 5 FRAME & 5 LUG HUBS

7' 1" WIDE

W/ QUAD BALL BEARINGS

| | | | | | | | | |
|--------------|-----|-----------|------|----|---------|---|------|----------|
| 167-1757-667 | 26" | C.O. C.O. | .256 | 17 | 10-1/2" | 8 | 3077 | \$16,678 |
| 167-1757-767 | 26" | SM. SM. | .256 | 17 | 10-1/2" | 8 | 3115 | \$16,287 |
| 167-1757-867 | 26" | C.O. SM. | .256 | 17 | 10-1/2" | 8 | 3096 | \$16,483 |

W/ QUAD TAPERED DOUBLE ROLLER BEARINGS

| | | | | | | | | |
|--------------|-----|-----------|------|----|---------|---|------|----------|
| 167-1755-667 | 26" | C.O. C.O. | .256 | 17 | 10-1/2" | 8 | 3121 | \$18,386 |
| 167-1755-767 | 26" | SM. SM. | .256 | 17 | 10-1/2" | 8 | 3159 | \$17,999 |
| 167-1755-867 | 26" | C.O. SM. | .256 | 17 | 10-1/2" | 8 | 3140 | \$18,177 |

8' 0" WIDE

W/ QUAD BALL BEARINGS

| | | | | | | | | |
|--------------|-----|-----------|------|----|---------|---|------|----------|
| 167-1957-667 | 26" | C.O. C.O. | .256 | 19 | 10-1/2" | 8 | 3246 | \$17,800 |
| 167-1957-767 | 26" | SM. SM. | .256 | 19 | 10-1/2" | 8 | 3297 | \$17,376 |
| 167-1957-867 | 26" | C.O. SM. | .256 | 19 | 10-1/2" | 8 | 3277 | \$17,596 |

W/ QUAD TAPERED DOUBLE ROLLER BEARINGS

| | | | | | | | | |
|--------------|-----|-----------|------|----|---------|---|------|----------|
| 167-1955-667 | 26" | C.O. C.O. | .256 | 19 | 10-1/2" | 8 | 3290 | \$19,544 |
| 167-1955-767 | 26" | SM. SM. | .256 | 19 | 10-1/2" | 8 | 3341 | \$19,101 |
| 167-1955-867 | 26" | C.O. SM. | .256 | 19 | 10-1/2" | 8 | 3321 | \$19,324 |

8' 9" WIDE

W/ QUAD BALL BEARINGS

| | | | | | | | | |
|--------------|-----|-----------|------|----|---------|---|------|----------|
| 167-2157-667 | 26" | C.O. C.O. | .256 | 21 | 10-1/2" | 8 | 3437 | \$18,898 |
| 167-2157-767 | 26" | SM. SM. | .256 | 21 | 10-1/2" | 8 | 3485 | \$18,751 |
| 167-2157-867 | 26" | C.O. SM. | .256 | 21 | 10-1/2" | 8 | 3461 | \$18,992 |

| <u>MODEL NUMBER</u> | <u>DISC DIAM</u> | <u>TYPE OF DISC</u> | | <u>DISC THCK</u> | <u># OF DISC</u> | <u>DISC SPACING</u> | <u># OF BRGS</u> | <u>APX WT</u> | <u>SUGST PRICE</u> |
|---------------------|------------------|---------------------|-------------|------------------|------------------|---------------------|------------------|---------------|--------------------|
| | | <u>FRNT</u> | <u>REAR</u> | | | | | | |

167 OFFSET DISK W/ 3 x 5 FRAME & 5 LUG HUBS (CONT'D)

8' 9" WIDE W/ QUAD TAPERED DOUBLE ROLLER BEARINGS

| | | | | | | | | | |
|--------------|-----|------|------|------|----|---------|---|------|----------|
| 167-2155-667 | 26" | C.O. | C.O. | .256 | 21 | 10-1/2" | 8 | 3481 | \$21,364 |
| 167-2155-767 | 26" | SM. | SM. | .256 | 21 | 10-1/2" | 8 | 3529 | \$20,879 |
| 167-2155-867 | 26" | C.O. | SM. | .256 | 21 | 10-1/2" | 8 | 3505 | \$21,123 |

167 OFFSET DISK W/ 4 x 6 FRAME & 6 LUG HUBS

9' 7" WIDE W/ QUAD BALL BEARINGS

| | | | | | | | | | |
|--------------|-----|------|------|------|----|---------|---|------|----------|
| 167-2357-668 | 26" | C.O. | C.O. | .256 | 23 | 10-1/2" | 8 | 4289 | \$22,249 |
| 167-2357-768 | 26" | SM. | SM. | .256 | 23 | 10-1/2" | 8 | 4342 | \$21,761 |
| 167-2357-868 | 26" | C.O. | SM. | .256 | 23 | 10-1/2" | 8 | 4316 | \$21,991 |

W/ QUAD TAPERED DOUBLE ROLLER BEARINGS

| | | | | | | | | | |
|--------------|-----|------|------|------|----|---------|---|------|----------|
| 167-2355-668 | 26" | C.O. | C.O. | .256 | 23 | 10-1/2" | 8 | 4333 | \$23,978 |
| 167-2355-768 | 26" | SM. | SM. | .256 | 23 | 10-1/2" | 8 | 4386 | \$23,468 |
| 167-2355-868 | 26" | C.O. | SM. | .256 | 23 | 10-1/2" | 8 | 4360 | \$23,722 |

10' 5" WIDE W/ QUAD BALL BEARINGS

| | | | | | | | | | |
|--------------|-----|------|------|------|----|---------|---|------|----------|
| 167-2557-668 | 26" | C.O. | C.O. | .256 | 25 | 10-1/2" | 8 | 4488 | \$23,184 |
| 167-2557-768 | 26" | SM. | SM. | .256 | 25 | 10-1/2" | 8 | 4495 | \$22,643 |
| 167-2557-868 | 26" | C.O. | SM. | .256 | 25 | 10-1/2" | 8 | 4507 | \$22,913 |

W/ QUAD TAPERED DOUBLE ROLLER BEARINGS

| | | | | | | | | | |
|--------------|-----|------|------|------|----|---------|---|------|----------|
| 167-2555-668 | 26" | C.O. | C.O. | .256 | 25 | 10-1/2" | 8 | 4532 | \$24,918 |
| 167-2555-768 | 26" | SM. | SM. | .256 | 25 | 10-1/2" | 8 | 4572 | \$24,379 |
| 167-2555-868 | 26" | C.O. | SM. | .256 | 25 | 10-1/2" | 8 | 4553 | \$24,648 |

12' 1" WIDE W/QUAD BALL BEARINGS

| | | | | | | | | | |
|--------------|-----|------|------|------|----|---------|---|------|----------|
| 167-2957-668 | 26" | C.O. | C.O. | .256 | 29 | 10-1/2" | 9 | 4933 | \$25,731 |
| 167-2957-768 | 26" | SM. | SM. | .256 | 29 | 10-1/2" | 9 | 5000 | \$25,112 |
| 167-2957-868 | 26" | C.O. | SM. | .256 | 29 | 10-1/2" | 9 | 4967 | \$25,425 |

W/QUAD TAPERED DOUBLE ROLLER BEARINGS

| | | | | | | | | | |
|--------------|-----|------|------|------|----|---------|---|------|----------|
| 167-2955-668 | 26" | C.O. | C.O. | .256 | 29 | 10-1/2" | 9 | 4977 | \$27,867 |
| 167-2955-768 | 26" | SM. | SM. | .256 | 29 | 10-1/2" | 9 | 5044 | \$27,219 |
| 167-2955-868 | 26" | C.O. | SM. | .256 | 29 | 10-1/2" | 9 | 5011 | \$27,071 |

SPECIAL ORDER INFORMATION:

SPRING BEARING HANGERS WITH QUAD TAPERED DOUBLE ROLLER BEARINGS

To order Spring Bearing Hangers, change the 7th digit from a "5" to "4", and add 25# and \$135.00 per bearing to weights and prices for units with QUAD Tapered Double Roller Bearings.

SPECIAL ORDER INFORMATION CONT'D

MANUAL LEVELING

To order a turnbuckle for Manual Leveling in place of a cylinder and hoses as listed in the price list, change the 10th digit for 16-21 disc units from a "7" to "0", or for 22-29 disc units from an "8" to "1" and deduct 12# and \$208.00.

UNITS WITHOUT AN EXTRA DISC ON RIGHT REAR

Units shown in the price list have an extra disc on the right rear and are strongly recommended by ATHENS to improve performance, reduce the need for adjustments, and to allow disking back and forth without an open furrow. To order units with the same number of discs on the front and rear, change 4th and 5th digits to one number lower (as 17 to 16), reduce weight by 100# and reduce the price by \$117.00.

| <u>EXTRA EQUIPMENT</u> | <u>APX WT</u> | <u>SUGST PRICE</u> |
|---|-------------------|------------------------|
| 9-167-605156 DUAL WHEELS FOR 16-21 DISC UNITS (DUAL WHEELS STANDARD ON 9' 7" AND UP) | 82# | \$899 |

RECOMMENDED TIRE SIZE: NARROW FRAME W/ 5 LUG HUBS, 9.5L X 15
WIDE FRAME W/ 6 LUG HUBS, 11L X 15

CAUTION: TIRES ARE RATED AT 20MPH MAXIMUM.

***PRICE DOES NOT INCLUDE TIRES.**

ATHENS 137 OFFSET DISK HARROW



SPECIFICATIONS:

Cutting Width – 12' 6" to 18' 6"
 24" Diameter Disc C/O or SM
 Spacing – 9 1/2"
 Relube QUADRASEAL Ball or
 Tapered Double Roller Bearings
 Rigid or Spring Bearing Hangers

STANDARD EQUIPMENT:

Extra Disc on Right Rear
 Cover Disc w/ Scraper
 Balanced, Reversible Clevis
 1-1/2" Cold Rolled Sq. Axles
 w/ Gang Wrench
 Dual 15" x 8" 6-Lug Wheels w/ Hubs
 Heavy Duty Scrapers (Tubular Mtd.)
 Hydraulic Lifting w/Mech Transport
 Tapered Discs on Rt Rear and Rt Frt
 Adjustable Angle of Cut
 Hydraulic Leveling Complete

| <u>MODEL NUMBER</u> | <u>DISC DIAM</u> | <u>TYPE OF DISC</u> | | <u>DISC THCK</u> | <u># OF DISC</u> | <u>DISC SPACING</u> | <u># OF BRGS</u> | <u>APX WT</u> | <u>SUGST PRICE</u> |
|--|------------------|---------------------|------|------------------|------------------|---------------------|------------------|---------------|--------------------|
| | | FRNT | REAR | | | | | | |
| <u>12' 6" WIDE</u> | | | | | | | | | |
| <u>W/ QUAD BALL BEARINGS</u> | | | | | | | | | |
| 137-3347-659 | 24" | C.O. | C.O. | .256 | 33 | 9-1/2" | 8 | 5444 | \$27,572 |
| 137-3347-759 | 24" | SM. | SM. | .256 | 33 | 9-1/2" | 8 | 5473 | \$26,984 |
| 137-3347-859 | 24" | C.O. | SM. | .256 | 33 | 9-1/2" | 8 | 5449 | \$27,293 |
| <u>W/ RELUBE QUAD TAPERED DOUBLE ROLLER BEARINGS</u> | | | | | | | | | |
| 137-3345-659 | 24" | C.O. | C.O. | .256 | 33 | 9-1/2" | 8 | 5410 | \$29,447 |
| 137-3345-759 | 24" | SM. | SM. | .256 | 33 | 9-1/2" | 8 | 5439 | \$28,841 |
| 137-3345-859 | 24" | C.O. | SM. | .256 | 33 | 9-1/2" | 8 | 5415 | \$29,152 |
| <u>14' 0" WIDE</u> | | | | | | | | | |
| <u>W/ QUAD BALL BEARINGS</u> | | | | | | | | | |
| 137-3747-659 | 24" | C.O. | C.O. | .256 | 37 | 9-1/2" | 9 | 5831 | \$29,764 |
| 137-3747-759 | 24" | SM. | SM. | .256 | 37 | 9-1/2" | 9 | 5881 | \$29,078 |
| 137-3747-859 | 24" | C.O. | SM. | .256 | 37 | 9-1/2" | 9 | 5854 | \$29,444 |
| <u>W/ RELUBE QUAD TAPERED DOUBLE ROLLER BEARINGS</u> | | | | | | | | | |
| 137-3745-659 | 24" | C.O. | C.O. | .256 | 37 | 9-1/2" | 9 | 5797 | \$31,833 |
| 137-3745-759 | 24" | SM. | SM. | .256 | 37 | 9-1/2" | 9 | 5847 | \$31,145 |
| 137-3745-859 | 24" | C.O. | SM. | .256 | 37 | 9-1/2" | 9 | 5820 | \$31,513 |

| <u>MODEL NUMBER</u> | <u>DISC DIAM</u> | <u>TYPE OF DISC</u> | | <u>DISC THCK</u> | <u># OF DISC</u> | <u>DISC SPACING</u> | <u># OF BRGS</u> | <u>APX WT</u> | <u>SUGST PRICE</u> | |
|---------------------|------------------|--|------|------------------|------------------|---------------------|------------------|---------------|--------------------|--|
| | | FRNT | REAR | | | | | | | |
| <u>15' 6" WIDE</u> | | <u>W/ QUAD BALL BEARINGS</u> | | | | | | | | |
| 137-4147-659 | 24" | C.O. | C.O. | .256 | 41 | 9-1/2" | 12 | 6562 | \$32,630 | |
| 137-4147-759 | 24" | SM. | SM. | .256 | 41 | 9-1/2" | 12 | 6618 | \$31,867 | |
| 137-4147-859 | 24" | C.O. | SM. | .256 | 41 | 9-1/2" | 12 | 6588 | \$32,267 | |
| | | <u>W/ RELUBE QUAD TAPERED DOUBLE ROLLER BEARINGS</u> | | | | | | | | |
| 137-4145-659 | 24" | C.O. | C.O. | .256 | 41 | 9-1/2" | 12 | 6512 | \$35,275 | |
| 137-4145-759 | 24" | SM. | SM. | .256 | 41 | 9-1/2" | 12 | 6568 | \$34,509 | |
| 137-4145-859 | 24" | C.O. | SM. | .256 | 41 | 9-1/2" | 12 | 6538 | \$34,117 | |
| <u>17' 0" WIDE</u> | | <u>W/ QUAD BALL BEARINGS</u> | | | | | | | | |
| 137-4547-659 | 24" | C.O. | C.O. | .256 | 45 | 9-1/2" | 12 | 6877 | \$34,062 | |
| 137-4547-759 | 24" | SM. | SM. | .256 | 45 | 9-1/2" | 12 | 6939 | \$33,220 | |
| 137-4547-859 | 24" | C.O. | SM. | .256 | 45 | 9-1/2" | 12 | 6906 | \$33,663 | |
| | | <u>W/ RELUBE QUAD TAPERED DOUBLE ROLLER BEARINGS</u> | | | | | | | | |
| 137-4545-659 | 24" | C.O. | C.O. | .256 | 45 | 9-1/2" | 12 | 6827 | \$36,530 | |
| 137-4545-759 | 24" | SM. | SM. | .256 | 45 | 9-1/2" | 12 | 6889 | \$35,647 | |
| 137-4545-859 | 24" | C.O. | SM. | .256 | 45 | 9-1/2" | 12 | 6856 | \$36,095 | |
| <u>18' 6" WIDE</u> | | <u>W/ QUAD BALL BEARINGS</u> | | | | | | | | |
| 137-4947-659 | 24" | C.O. | C.O. | .256 | 49 | 9-1/2" | 12 | 7246 | \$35,493 | |
| 137-4947-759 | 24" | SM. | SM. | .256 | 49 | 9-1/2" | 12 | 7314 | \$34,571 | |
| 137-4947-859 | 24" | C.O. | SM. | .256 | 49 | 9-1/2" | 12 | 7278 | \$35,057 | |
| | | <u>W/ RELUBE QUAD TAPERED DOUBLE ROLLER BEARINGS</u> | | | | | | | | |
| 137-4945-659 | 24" | C.O. | C.O. | .256 | 49 | 9-1/2" | 12 | 7196 | \$38,173 | |
| 137-4945-759 | 24" | SM. | SM. | .256 | 49 | 9-1/2" | 12 | 7264 | \$37,240 | |
| 137-4945-859 | 24" | C.O. | SM. | .256 | 49 | 9-1/2" | 12 | 7228 | \$37,729 | |

SPECIAL ORDERING INFORMATION:

SPRING BEARING HANGERS WITH QUAD TAPERED DOUBLE ROLLER BEARINGS

To order Spring Bearing Hangers, change the 7th digit from a "5" to "4" and add 31# and \$135.00 per bearing to weights and prices for units with QUAD Tapered Double Roller Bearings.

MANUAL LEVELING

To replace the cylinder and hoses w/ a turnbuckle, change the 10th digit from a "9" to "0" and deduct 13# and \$208.00.

UNITS WITHOUT AN EXTRA DISC ON RIGHT REAR

Units shown in the price list have an extra disc on the right rear and are strongly recommended by ATHENS to improve performance, reduce the need for adjustments, and to allow disking back and forth without an open furrow. To order units with the same number of discs on the front and rear, change 4th and 5th digits to one number lower (as 33 to 32), reduce the weight by 70# and reduce the price by \$85.00.

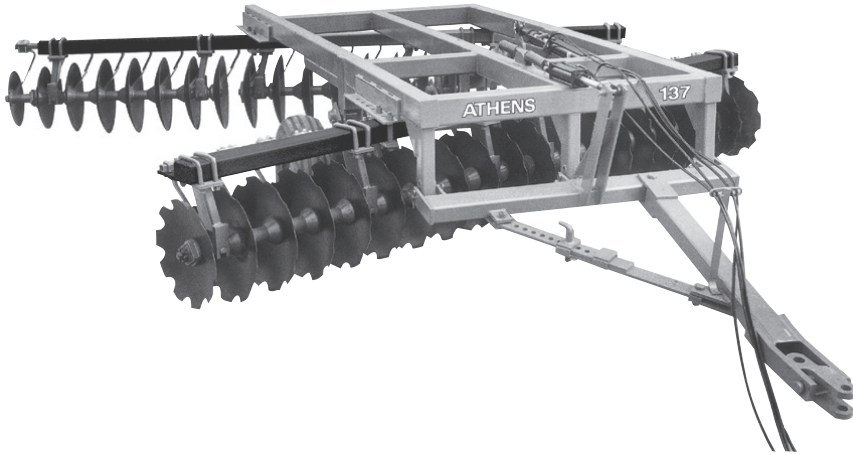
106166 AG LIGHT KIT 19# \$500.00

RECOMMENDED TIRE SIZE: 11L x 15 (4 REQUIRED)

CAUTION: TIRES ARE RATED AT 20 MPH MAXIMUM.

***PRICE DOES NOT INCLUDE TIRES.**

ATHENS 187 OFFSET DISK HARROW



SPECIFICATIONS:

Cutting Width – 12' 1" to 17' 1"
 26" Diameter Disc C/O or SM
 Spacing – 10 ½"
 Relube QUADRASEAL Ball Bearings or
 Tapered Double Roller Bearings w/
 Rigid or Spring Bearing Hangers

STANDARD EQUIPMENT:

Cover Disc w/ Scraper
 Extra Disc on Right Rear
 Heavy Duty Tongue w/ Jack
 Balanced, Reversible Clevis
 1 ½" Cold Rolled Sq. Axle
 w/ Gang Wrench
 Dual 15" x 8" 6 Lug Wheels w/ Hub
 Heavy Duty Scrapers (Tubular Mtd.)
 Tapered Discs on Right Rear & Rt Frt
 Adjustable Angle of Cut
 Hydraulic Leveling Complete
 Hydraulic Lifting w/ Mech. Transport

| <u>MODEL NUMBER</u> | <u>DISC DIAM</u> | <u>TYPE OF DISC</u> | | <u>DISC THCK</u> | <u># OF DISC</u> | <u>DISC SPACING</u> | <u># OF BRGS</u> | <u>APX WT</u> | <u>SUGST PRICE</u> |
|--|------------------|---------------------|-------------|------------------|------------------|---------------------|------------------|---------------|--------------------|
| | | <u>FRNT</u> | <u>REAR</u> | | | | | | |
| <u>12' 1" WIDE</u> | | | | | | | | | |
| <u>W/ RELUBE QUAD BALL BEARINGS</u> | | | | | | | | | |
| 187-2957-669 | 26" | C.O. | C.O. | .256 | 29 | 10-1/2" | 10 | 5517 | \$29,121 |
| 187-2957-769 | 26" | SM. | SM. | .256 | 29 | 10-1/2" | 10 | 5585 | \$28,575 |
| 187-2957-869 | 26" | C.O. | SM. | .256 | 29 | 10-1/2" | 10 | 5552 | \$28,858 |
| <u>W/ RELUBE QUAD TAPERED DOUBLE ROLLER BEARINGS</u> | | | | | | | | | |
| 187-2955-669 | 26" | C.O. | C.O. | .256 | 29 | 10-1/2" | 10 | 5561 | \$31,213 |
| 187-2955-769 | 26" | SM. | SM. | .256 | 29 | 10-1/2" | 10 | 5629 | \$30,729 |
| 187-2955-869 | 26" | C.O. | SM. | .256 | 29 | 10-1/2" | 10 | 5596 | \$31,021 |
| <u>13' 9" WIDE</u> | | | | | | | | | |
| <u>W/ RELUBE QUAD BALL BEARINGS</u> | | | | | | | | | |
| 187-3357-669 | 26" | C.O. | C.O. | .256 | 33 | 10-1/2" | 12 | 6147 | \$32,213 |
| 187-3357-769 | 26" | SM. | SM. | .256 | 33 | 10-1/2" | 12 | 6225 | \$31,583 |
| 187-3357-869 | 26" | C.O. | SM. | .256 | 33 | 10-1/2" | 12 | 6187 | \$31,909 |
| <u>W/ RELUBE QUAD TAPERED DOUBLE ROLLER BEARINGS</u> | | | | | | | | | |
| 187-3355-669 | 26" | C.O. | C.O. | .256 | 33 | 10-1/2" | 12 | 6213 | \$34,753 |
| 187-3355-769 | 26" | SM. | SM. | .256 | 33 | 10-1/2" | 12 | 6309 | \$34,132 |
| 187-3355-869 | 26" | C.O. | SM. | .256 | 33 | 10-1/2" | 12 | 6253 | \$34,451 |
| <u>15' 5" WIDE</u> | | | | | | | | | |
| <u>W/ RELUBE QUAD BALL BEARINGS</u> | | | | | | | | | |
| 187-3757-669 | 26" | C.O. | C.O. | .256 | 37 | 10-1/2" | 12 | 6581 | \$34,366 |
| 187-3757-769 | 26" | SM. | SM. | .256 | 37 | 10-1/2" | 12 | 6669 | \$33,661 |
| 187-3757-869 | 26" | C.O. | SM. | .256 | 37 | 10-1/2" | 12 | 6636 | \$34,041 |

| <u>MODEL NUMBER</u> | <u>DISC DIAM</u> | <u>TYPE OF DISC</u> | | <u>DISC THCK</u> | <u># OF DISC</u> | <u>DISC SPACING</u> | <u># OF BRGS</u> | <u>APX WT</u> | <u>SUGST PRICE</u> |
|---------------------|------------------|--|-------------|------------------|------------------|---------------------|------------------|---------------|--------------------|
| | | <u>FRNT</u> | <u>REAR</u> | | | | | | |
| <u>15' 5" WIDE</u> | | <u>W/ RELUBE QUAD TAPERED DOUBLE ROLLER BEARINGS</u> | | | | | | | |
| 187-3755-669 | 26" | C.O. | C.O. | .256 | 37 | 10-1/2" | 12 | 6647 | \$36,964 |
| 187-3755-769 | 26" | SM. | SM. | .256 | 37 | 10-1/2" | 12 | 6735 | \$36,241 |
| 187-3755-869 | 26" | C.O. | SM. | .256 | 37 | 10-1/2" | 12 | 6702 | \$36,619 |
| <u>17' 1" WIDE</u> | | <u>W/ RELUBE QUAD BALL BEARINGS</u> | | | | | | | |
| 187-4157-669 | 26" | C.O. | C.O. | .256 | 41 | 10-1/2" | 14 | 7085 | \$36,476 |
| 187-4157-769 | 26" | SM. | SM. | .256 | 41 | 10-1/2" | 14 | 7182 | \$35,805 |
| 187-4157-869 | 26" | C.O. | SM. | .256 | 41 | 10-1/2" | 14 | 7134 | \$36,104 |
| | | <u>W/ RELUBE QUAD TAPERED DOUBLE ROLLER BEARINGS</u> | | | | | | | |
| 187-4155-669 | 26" | C.O. | C.O. | .256 | 41 | 10-1/2" | 14 | 7151 | \$39,109 |
| 187-4155-769 | 26" | SM. | SM. | .256 | 41 | 10-1/2" | 14 | 7248 | \$38,293 |
| 187-4155-869 | 26" | C.O. | SM. | .256 | 41 | 10-1/2" | 14 | 7200 | \$38,716 |

SPECIAL ORDER INSTRUCTIONS:

SPRING BEARING HANGERS W/QUAD TAPERED DOUBLE ROLLER BEARINGS

To order Spring Bearing Hangers, Change the 7th digit from "5" to "4", and add 25# and \$135.00 per bearing to weights and prices for units with QUAD Tapered Double Roller Bearings.

UNITS WITHOUT AND EXTRA DISC ON RIGHT REAR

Units shown in the price list have an extra disc on the right rear and are strongly recommended by ATHENS to improve performance, reduce the need for adjustments, and to allow disking back and forth without an open furrow. To order units with the same number of discs on front and rear, change 4th and 5th digits to one number lower (as 33 to 32), reduce weight by 107# and reduce price by \$117.00.

MANUAL LEVELING

To replace the cylinder and hoses w/ a turnbuckle, change the 10th digit from a "9" to "0" and deduct 13# and \$208.00.

106166 AG LIGHT KIT 19# \$500.00

RECOMMENDED TIRE SIZE: 11L X 15 (4 REQUIRED)

CAUTION: TIRES ARE RATED AT 20 MPH MAXIMUM.

***PRICE DOES NOT INCLUDE TIRES.**

ATHENS 287 OFFSET DISK HARROW

SPECIFICATIONS:

Cutting Width – 8' to 16'
 Disc Spacing – 12"
 Disc Blades – 28" or 32" C/O
 Relube 2" Ball Bearings

STANDARD EQUIPMENT

Cover Disc w/ Scraper
 Hydraulic Leveling Complete
 Hydraulic Lifting Complete
 Balanced, Reversible Clevis
 Heavy Duty Tube Mounted Scrapers
 Tapered Rear Gang
 15" x 8" Six Lug Wheels w/
 Dual Wheel Hubs
 2" Cold Rolled Square Gang Axles



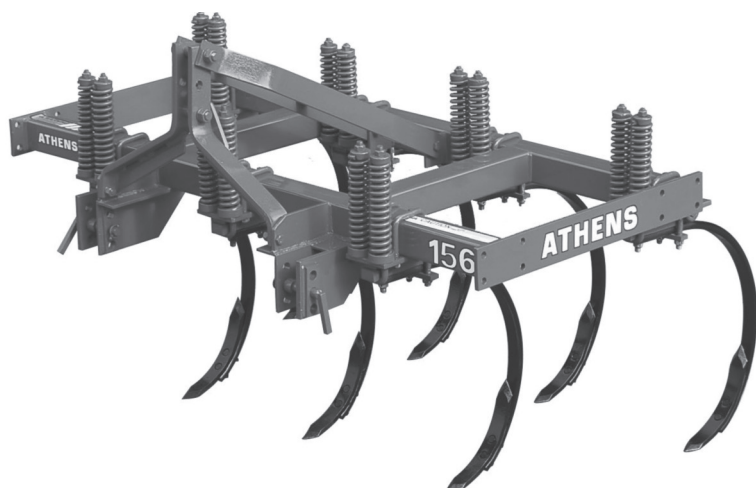
| <u>MODEL NUMBER</u> | <u>DISC DIAM</u> | <u>TYPE OF DISC</u> | <u>DISC THCK</u> | <u># OF DISC</u> | <u>DISC SPACING</u> | <u># OF BRGS</u> | <u>APX WT</u> | <u>SUGST PRICE</u> |
|---------------------|------------------|--------------------------------|------------------|------------------|---------------------|------------------|---------------|--------------------|
| <u>8' 0" WIDE</u> | | <u>W/ RELUBE BALL BEARINGS</u> | | | | | | |
| 287-1722-688 | 28" | C.O. | .31 | 17 | 12" | 8 | 5221 | \$29,874 |
| 287-1722-628 | 32" | C.O. | .39 | 17 | 12" | 8 | 5750 | \$33,537 |
| <u>9' 0" WIDE</u> | | <u>W/ RELUBE BALL BEARINGS</u> | | | | | | |
| 287-1922-688 | 28" | C.O. | .31 | 19 | 12" | 8 | 5490 | \$30,843 |
| 287-1922-628 | 32" | C.O. | .39 | 19 | 12" | 8 | 6165 | \$35,164 |
| <u>10' 0" WIDE</u> | | <u>W/ RELUBE BALL BEARINGS</u> | | | | | | |
| 287-2122-688 | 28" | C.O. | .31 | 21 | 12" | 8 | 5812 | \$32,506 |
| 287-2122-628 | 32" | C.O. | .39 | 21 | 12" | 8 | 6505 | \$36,829 |
| <u>12' 0" WIDE</u> | | <u>W/ RELUBE BALL BEARINGS</u> | | | | | | |
| 287-2522-688 | 28" | C.O. | .31 | 25 | 12" | 8 | 7867 | \$40,798 |
| 287-2522-628 | 32" | C.O. | .39 | 25 | 12" | 8 | 8710 | \$45,104 |
| <u>14' 0" WIDE</u> | | <u>W/ RELUBE BALL BEARINGS</u> | | | | | | |
| 287-2922-688 | 28" | C.O. | .31 | 29 | 12" | 12 | 8650 | \$44,599 |
| 287-2922-628 | 32" | C.O. | .39 | 29 | 12" | 12 | 9473 | \$49,157 |
| <u>16' 0" WIDE</u> | | <u>W/ RELUBE BALL BEARINGS</u> | | | | | | |
| 287-3322-688 | 28" | C.O. | .31 | 33 | 12" | 12 | 9250 | \$47,812 |
| 287-3322-628 | 32" | C.O. | .39 | 33 | 12" | 12 | 10005 | \$51,716 |

****To Order a Model 288 Change the 3rd Digit to an 8 and add \$1,256.00 Per Bearing.**

RECOMMENDED TIRE SIZE: 11L x 15 (4 REQUIRED)
 CAUTION: TIRES ARE RATED AT 20 MPH MAXIMUM.

***PRICE DOES NOT INCLUDE TIRES.**

ATHENS 156 CHISEL PLOW



SPECIFICATIONS:

Lift-Type – 5', 7', 10', 11' Bases
 2 Bar Lift Type – 5' to 15'
 3 Bar Lift Type – 7' to 16'
 1 x 2 x 26", 1 x 2 x 32" &
 1 ¼ x 2 x 32" Alloy Steel Tines
 5/8" Chisel Points or
 3/8" Twisted Shovels

STANDARD EQUIPMENT

Cushion Spring Clamps
 4 x 4" Tubular Frame
 12" Tine Spacing

| MODEL NUMBER | TINE ATTACHMENT | TINE SIZE | | | SIZE (CAT) HITCH | APX WT | SUGST PRICE |
|--------------------|-----------------|--|---------|------------|------------------|--------|-------------|
| | | 1 x 26" | 1 x 32" | 1.25 x 32" | | | |
| <u>5' 0" WIDE</u> | | <u>W/ RIGID TINE ATTACHMENT, 26" TINES & 5/8" POINTS</u> | | | | | |
| 156-0521-221 | RGD | X | | | I | 580 | \$2,910 |
| 156-0521-222 | RGD | X | | | II | 580 | \$2,910 |
| <u>7' 0" WIDE</u> | | <u>W/ RIGID TINE ATTACHMENT, 26" TINES & 5/8" POINTS</u> | | | | | |
| 156-0721-223 | RGD | X | | | II | 732 | \$3,903 |
| | | <u>2 – BAR LIFT TYPE W/ SPRING TINE ATTACHMENT & 5/8" POINTS</u> | | | | | |
| <u>5' 0" WIDE</u> | | <u>W/ CATEGORY I OR II HITCH PINS</u> | | | | | |
| 156-0522-221 | SPG | X | | | I | 736 | \$4,254 |
| 156-0522-321 | SPG | | X | | I | 766 | \$4,389 |
| 156-0522-421 | SPG | | | X | I | 822 | \$4,787 |
| 156-0522-222 | SPG | X | | | II | 737 | \$4,254 |
| 156-0522-322 | SPG | | X | | II | 767 | \$4,389 |
| 156-0522-422 | SPG | | | X | II | 822 | \$4,787 |
| <u>7' 0" WIDE</u> | | <u>W/ CATEGORY II HITCH PINS</u> | | | | | |
| 156-0722-223 | SPG | X | | | II | 952 | \$5,195 |
| 156-0722-323 | SPG | | X | | II | 994 | \$5,385 |
| 156-0722-423 | SPG | | | X | II | 1001 | \$5,940 |
| <u>11' 0" WIDE</u> | | <u>W/ CATEGORY II HITCH PINS</u> | | | | | |
| 156-1122-223 | SPG | X | | | II | 1243 | \$7,505 |
| 156-1122-323 | SPG | | X | | II | 1452 | \$7,814 |
| 156-1122-423 | SPG | | | X | II | 1573 | \$8,683 |

| MODEL NUMBER | TINE ATTCH MENT | TINE SIZE | | | SIZE (CAT) HITCH | APX WT | SUGST PRICE |
|--|-----------------------|--|---------|------------|---------------------------------------|-----------|----------------|
| | | 1 x 26" | 1 x 32" | 1.25 x 32" | | | |
| | | *** SINGLE EXTENSION FOR TWO-BAR UNITS*** <u>W/ 5/8" CHISEL POINTS</u> | | | (SINGLE EXTENIONS ARE COMPLETE) | | |
| <u>2' 0"</u> | | | | | | | |
| 9-156-022122 | RGD | X | | | N/A | 198 | \$714 |
| 9-156-022222 | SPG | X | | | N/A | 198 | \$1,124 |
| 9-156-022232 | SPG | | X | | N/A | 210 | \$1,187 |
| 9-156-022242 | SPG | | | X | N/A | 232 | \$1,320 |
| | | ***DOUBLE EXTENSION FOR TWO-BAR UNITS*** <u>W/ 5/8" CHISEL POINTS</u> | | | (USED ONLY WITH SINGLE EXTENSIONS) | | |
| <u>2' 0"</u> | | | | | | | |
| 9-156-042122 | RGD | X | | | N/A | 253 | \$887 |
| 9-156-042222 | SPG | X | | | N/A | 253 | \$1,405 |
| 9-156-042232 | SPG | | X | | N/A | 265 | \$1,433 |
| 9-156-042242 | SPG | | | X | N/A | 287 | \$1,598 |
| <u>3-BAR W/ SPRING TINE ATTACHMENT & 5/8" POINTS</u> | | | | | | | |
| <u>7' 0" WIDE</u> | | <u>W/ CATEGORY II HITCH</u> | | | | | |
| 156-0732-223 | SPG | X | | | II | 1089 | \$6,015 |
| 156-0732-323 | SPG | | X | | II | 1131 | \$6,214 |
| 156-0732-423 | SPG | | | X | II | 1208 | \$6,761 |
| <u>10' 0" WIDE</u> | | <u>W/ CATEGORY II-III HITCH</u> | | | | | |
| 156-1032-223 | SPG | X | | | II & III | 1458 | \$7,836 |
| 156-1032-323 | SPG | | X | | II & III | 1518 | \$8,105 |
| 156-1032-423 | SPG | | | X | II & III | 1628 | \$8,913 |
| | | ***SINGLE EXTENSION FOR THREE BAR UNITS*** <u>W/ 5/8" CHISEL POINTS</u> | | | (SINGLE EXTENSIONS ARE COMPLETE) | | |
| <u>2' 0"</u> | | | | | | | |
| 9-156-023222 | SPG | X | | | N/A | 199 | \$1,137 |
| 9-156-023232 | SPG | | X | | N/A | 211 | \$1,192 |
| 9-156-023242 | SPG | | | X | N/A | 233 | \$1,334 |
| | | ***DOUBLE EXTENSION FOR THREE-BAR UNITS*** <u>W/ 5/8" CHISEL POINTS</u> | | | (USED ONLY WITH SINGLE EXTENSIONS) | | |
| <u>2' 0"</u> | | | | | | | |
| 9-156-043222 | SPG | X | | | N/A | 268 | \$1,386 |
| 9-156-043232 | SPG | | X | | N/A | 280 | \$1,434 |
| 9-156-043242 | SPG | | | X | N/A | 302 | \$1,531 |

| <u>MODEL NUMBER</u> | <u>TINE ATTCH MENT</u> | <u>TINE SIZE</u> | | | <u>SIZE (CAT) HITCH</u> | <u>APX WT</u> | <u>SUGST PRICE</u> |
|--|------------------------|------------------|----------------|-------------------|----------------------------------|---------------|--------------------|
| | | <u>1 x 26"</u> | <u>1 x 32"</u> | <u>1.25 x 32"</u> | | | |
| ***TRIPLE EXTENSION FOR THREE-BAR UNITS*** <u>W/ 5/8" CHISEL POINTS</u> | | | | | (TRIPLE EXTENSIONS ARE COMPLETE) | | |
| <u>6' 0"</u> | | | | | | | |
| 9-156-063222 | SPG | X | | | N/A | 770 | \$4,142 |
| 9-156-063232 | SPG | | X | | N/A | 806 | \$4,301 |
| 9-156-063242 | SPG | | | X | N/A | 872 | \$4,722 |

EXTRA EQUIPMENT

| | | | | | | <u>APX WT</u> | <u>SUGST PRICE</u> |
|--------------|--|--|--|--|--|---------------|--------------------|
| 9-156-520516 | GAUGE WHEELS (2 BAR UNITS ONLY) 2-15 WHEELS LESS TIRES | | | | | 167# | \$1,174 |
| 9-156-530516 | GAUGE WHEELS (3 BAR UNITS ONLY) 2-15 WHEELS LESS TIRES | | | | | 169# | \$1,191 |
| 101733 | CAT II & III QUICK COUPLER ADAPTER FOR 10' UNITS | | | | | 7# | \$135 |
| 101746 | CAT II QUICK COUPLER ADAPTER FOR 7' UNITS AND 11' UNITS | | | | | 1# | \$59 |

***WHEN ORDERING EXTENSIONS: SINGLE EXTENSIONS ARE COMPLETE AND CAN BE USED ALONE.
DOUBLE EXTENSIONS ARE NOT COMPLETE AND MUST BE USED ONLY WITH SINGLE EXTENSIONS
TRIPLE EXTENSIONS ARE COMPLETE AND CAN BE USED ALONE.

OPTIONAL EQUIPMENT:

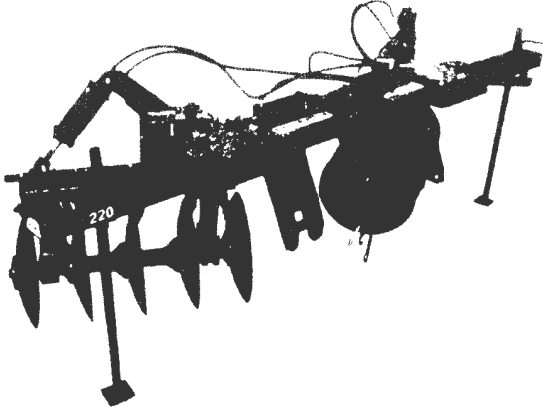
For 3/8" Twisted Shovels, change the 9th digit from 2 to 3, add 1# each and \$8.00 each to weights and prices for units with 5/8" Chisel Points shown in the price list.

RECOMMENDED TIRE SIZE FOR GAUGE WHEELS: 9.5L X 15 (2 REQUIRED)

CAUTION: TIRES ARE RATED AT 20 MPH MAXIMUM.

***PRICE DOES NOT INCLUDE TIRES**

ATHENS 220 HEAVY-DUTY LEVEE PLOW



SPECIFICATIONS:

Eight or Ten Disc Models
Tapered Twelve Disc Models
24" or 26" Discs, Cutout or Smooth
.256" Disc Thickness

STANDARD EQUIPMENT:

10 ½" Disc Blade Spacing
Cat II-III Heavy Duty Hitch
QUADRASEAL Tapered Double
Roller Bearings
1½" Cold Rolled Square Axle
Disc Gang Assembly Wrench
½ x 4 x 7 x 136" Tool Bar
Two Parking Stands
Heavy Duty Scrapers

| <u>MODEL NUMBER</u> | <u>DISC DIAM</u> | <u>TYPE OF DISC</u> | <u>DISC THCK</u> | <u># OF DISC</u> | <u>DISC SPACING</u> | <u>APX WT</u> | <u>SUGST PRICE</u> |
|---|------------------|---------------------|------------------|------------------|---------------------|---------------|--------------------|
| <u>W/ MANUAL ADJUSTMENT & SHALLOW CONCAVITY BLADES</u> | | | | | | | |
| 220-0855-191 | 24" | SM. | .256 | 8 | 10-1/2" | 2181 | \$10,690 |
| 220-1055-191 | 24" | SM. | .256 | 10 | 10-1/2" | 2317 | \$11,456 |
| <u>W/ HYDRAULIC ADJUSTMENT & SHALLOW CONCAVITY BLADES</u> | | | | | | | |
| 220-0855-194 | 24" | SM | .256 | 8 | 10-1/2" | 2221 | \$13,029 |
| 220-1055-194 | 24" | SM | .256 | 10 | 10-1/2" | 2357 | \$13,792 |

SPECIAL ORDER INSTRUCTIONS:

24" x .256 Cutout Blades. To order 24" cutout blades, change 8th & 9th digits to 04 and deduct 2# per blade and add \$16.00 per blade.

26" x .256 Smooth Blades. To order 26" smooth blades, change 8th & 9th digits to 16 and add 6# per blade and add \$26.00 per blade.

26" x .256 Cutout Blades. To order 26" cutout blades, change 8th & 9th digits to 06 and add 3# per blade and add \$40.00 per blade.

TAPERED BLADES WITH MANUAL ADJUSTMENT

| | | | | | |
|--------------|----|----|---------|------|----------|
| 220-1255-TAP | SM | 12 | 10-1/2" | 2356 | \$11,456 |
|--------------|----|----|---------|------|----------|

TAPERED BLADES WITH HYDRAULIC ADJUSTMENT

| | | | | | |
|---------------|----|----|---------|------|----------|
| 220-1255-TAPH | SM | 12 | 10-1/2" | 2396 | \$13,792 |
|---------------|----|----|---------|------|----------|

NOTE: 221 is the same as 220 except that 221 is equipped with Cover Discs and Cover Disc Scrapers. To order a Model 221, change 220 to 221 and add 66# and \$310.00 to the prices shown in the price list.

**INSIDE BACK COVER
BLANK**



Athens Plow Company



ATHENS

::

TENNESSEE

Athens Plow Company was founded in 1921 by Elbert L. Willson and was managed by William P. Willson and James H. Willson until being sold to Rhino Products in 1973. William L. Willson, the grandson of Elbert Willson, stayed on as Plant Manager for Servis-Rhino. Rhino then moved the Athens operations to Dallas, TX in 1985. Just three years later, in 1988, the Alamo Group decided to get out of the tillage equipment business. By then, the plant in Athens, TN had been closed and production moved first to Dallas and then to Holton, Kansas, where Alamo's BMB manufacturing operation was located. William Willson saw an opportunity he could not pass on. He and a few investors in the Athens area bought the business and trucked everything back to Athens, where the facility had been vacant for several years. Willson purchased the old plant and began operating in the spring of 1988.



ATHENS currently manufactures 24 different models of tillage tools out of the original Athens, Tennessee plant including a chisel plow, levee plow, and a wide variety of disc harrows. Striving to maintain a continuing commitment to service, ATHENS offers an availability and quality that cannot be matched. With very few exceptions, an order placed for a disc harrow is shipped within 24-48 hours. The inventory we warehouse for our farm equipment dealers across the United States has positioned ATHENS as one of the few, if not the only, tillage company with immediate availability. If you desire person-to-person communication, unmatched availability, and a quality product, make ATHENS your tillage choice.



TAB 2



Fertilizer Spreaders *Spreads Seed or Fertilizer*

The FS Series spreader features easily controlled seed gates, adjustable spreading vanes and a left/right spread control. Options include salt-sand deflector kit.

| Model | Code | Features | Weight (lbs) | Set-Up | Price |
|--|---------|--|--------------|----------|------------|
| 3 Point Hitch Fertilizer Spreader | | | | | |
| FS-150 | 804-003 | 150 Litre or 317 lbs Cap Steel Hopper complete with standard agitator and PTO Shaft. | | \$80.00 | \$980.00 |
| FS-300 | 804-004 | 250 Litre or 694 lbs Cap Steel Hopper complete with standard agitator and PTO Shaft. | 105 | \$80.00 | \$1,009.00 |
| FS-500 | 804-001 | 338 Litre or 992 lbs Cap Steel Hopper complete with standard agitator and PTO Shaft. | 115 | \$80.00 | \$1,055.00 |
| Options | | | | | |
| 400.091 | | FS-FP Salt/Sand Deflector Kit | | | \$379.00 |
| 400.200 | | Agitator for powder fertilizer | | | \$101.00 |
| 400.168 | | Lateral conveyor kit | | | \$1,058.00 |
| Pull type Fertilizer Spreader | | | | | |
| 804.019 | | FSP100 STD, 100 Litre or 26.5 USA Gallon Cap Steel Hopper complete with standard agitator. | | \$100.00 | \$1,870.00 |
| 804.020 | | FSP150 STD, 144 Litre or 38 USA Gallon Cap Steel Hopper complete with standard agitator. | | \$100.00 | \$1,902.00 |
| 400.195 | | FSP-PAR2000 Salt/Sand Spreader Complete Kit | | | \$379.00 |
| Options | | | | | |
| | | Turf Tires | | | \$353.00 |
| | | Hitch for ATV's | | | \$168.00 |
| 400.245 | | XAR3000-TS/TSP Salt/Sand Deflector Complete Kit | | | \$379.00 |

FS Series



FSP Series



PRICED IN CANADIAN DOLLARS

PRICES ARE FOB HARRISTON, ON- DESIGN & PRICE ARE SUBJECT TO CHANGE WITHOUT NOTICE

TAB 3

SILAGE PACKER

Standard Features

- Available with 30" steel wheels.
- 3" wide stainless-steel rims.
- 5" axle gives up to 12" packing depth.
- When silage is properly packed there will be very little wheel penetration
- Bolt on 3-point hitch bracket in 3N, 3, 4N or 4 are included in price, customer to specify.



| Model # | Description | Lbs. | HP | Price (Cdn) |
|---------|--|-------|------|-------------|
| 2907 | 7-wheel w/weight boxes/w sand*, 93" wide | 7000 | 190 | \$22,747.00 |
| 2909 | 9-wheel w/weight boxes/w sand*, 123" wide | 9000 | 230 | \$28,729.00 |
| 2911 | 11-wheel w/weight boxes/w sand*, 153" wide | 11000 | 280+ | \$35,314.00 |
| | <i>*customer supplied sand</i> | | | |



PRICED IN CANADIAN DOLLARS

PRICES ARE FOB HARRISTON, ONTARIO – DESIGN & PRICE ARE SUBJECT TO CHANGE WITHOUT NOTICE



The Bale Buddy 2000 was designed to allow hay to be baled while there is up to 60% moisture in the hay. When the weather is uncooperative, this will save time waiting for the hay to dry and product with less hay spoilage.



Bale Buddy 2000 Specs

| SPECS | VALUE |
|-------------|--------------------------------------|
| LENGTH | 72" (183cm) |
| WIDTH | 40" (102cm) BASE 104" (264cm) TOP |
| HEIGHT | 90" (229cm) |
| WEIGHT | 853 lbs. (382 kg) |
| BALE SIZE | 4x5 or 5x6 |
| CONNECTIONS | 14 Pin |
| WRAP | Standard Film Wrap |
| HYDRAULICS | Auxillary Hydraulics |

BALE BUDDY 2000 - CDN PRICE - \$8,373.00

PRICES ARE FOB HARRISTON, ONTARIO – DESIGN & PRICE ARE SUBJECT TO CHANGE WITHOUT NOTICE January 1, 2025



Made in Northern Minnesota



Date Change Only

ReCon

| | |
|--|---|
| Features Include: | |
| <ul style="list-style-type: none"> Adjustable top deflector Inline quick adjuster for roller spacing | |
| Standard Equipment: | Optional Equipment: |
| <ul style="list-style-type: none"> 115 horse power slip clutch Highway speed rated 275/60R15 tires Hydraulic adjustable side deflectors Clearance lights | <ul style="list-style-type: none"> Hydraulic drive Spin Spreader Side deflector expansions 3PT quick hitch |

| Model # | Description | MSRP [CDN] |
|---------|---|-------------|
| 300705 | Recon 300- Pulltype, 7 ft rolls with 540 RPM PTO | \$33,400.00 |
| 300701 | Recon 300- Pulltype, 7 ft rolls with 1000 RPM PTO | \$33,400.00 |
| 300901 | Recon 300- Pulltype, 9 ft rolls with 1000 RPM PTO | \$38,850.00 |

Options

| Part # | Description | MSRP [CDN] |
|--------|------------------------------------|------------|
| 321645 | Spin Spreader Kit, 7 foot kit | \$4,600.00 |
| 321250 | Spin Spreader Kit, 9 foot kit | \$5,500.00 |
| 321585 | Tandem Wheel Option | \$2,200.00 |
| | Factory Set-Up – Tow Configuration | \$900.00 |

No Freight Charges on Options Ordered With Machine. Contact HARCO for Shipping Charges on Options Ordered Later.



PRICED IN CANADIAN DOLLARS

PRICES ARE FOB BENITO, MB – DESIGN & PRICE ARE SUBJECT TO CHANGE WITHOUT NOTICE



5808 Hwy #9, Harriston, Ontario, N0G 1Z0
Phone: 519-338-2923, Fax: 519-338-2756
Email: sales@harcoag.ca
www.harcoag.ca

Date Change Only

Cross Augers for Draper Headers

Standard Features Include:

- Patented Angled Stripper deflector bar
- Swept Back Unloader Paddle
- Variable speed motor control
- FlexEnd Technology for flex drapers

| Part # | Description | MSRP [CDN] |
|--|--|------------|
| For Rigid Framed Draper Headers | | |
| Various | Under 24' Cross Auger kit | \$6,100.00 |
| Various | 25' Cross Auger kit | \$6,600.00 |
| Various | 30' Cross Auger kit | \$7,250.00 |
| Various | 35'-36' Cross Auger kit | \$7,500.00 |
| Various | 40' Cross Auger kit | \$7,800.00 |
| Various | 45' Cross Auger kit | \$8,100.00 |
| Various | 50' Cross Auger kit | \$8,500.00 |
| For Hinged Flex Draper Headers | | |
| Various | 30' Cross Auger kit for Macdon FD | \$7,350.00 |
| Various | 35/36' Cross Auger kit for Macdon FD, Deere HDT/F | \$7,800.00 |
| Various | 40' Cross Auger kit for Macdon FD, Deere HDR/F, Gerringhoff | \$8,000.00 |
| Various | 45' Cross Auger kit for Macdon FD, Deere HDR/F, Gerringhoff | \$8,400.00 |
| Various | 50' Cross Auger kit for Macdon FD, Deere HDR/F, Gerringhoff | \$8,800.00 |
| | Stripper Bar Kit | \$1,800.00 |
| | ONLY APPLICABLE IN WESTERN CANADA. Auger exchange kits available for worn out Macdon Augers, up to \$1,500.00 core credit available per straight auger (\$3,000.00 kit) | |
| Freight charges vary dependant on quantity ordered | | |

PRICED IN CANADIAN DOLLARS

PRICES ARE FOB BENITO, MB – DESIGN & PRICE ARE SUBJECT TO CHANGE WITHOUT NOTICE

5808 Hwy #9, Harriston, Ontario, N0G 1Z0
Phone: 519-338-2923, Fax: 519-338-2756
Email: sales@harcoag.ca
www.harcoag.ca



AG SHIELD



Date Change Only

Cross Augers for Draper Headers – Part Number Reference Table

| Header | Width | Part # | Header | Width | Part # |
|---------------------------------------|-------|----------------|-----------------------------------|-------|---------------|
| AGCO / MF | | | John Deere | | |
| 9345 AGCO | 45ft | 4159345 | HD35R / HD35F | 35ft | 413035 |
| 9340 AGCO | 40ft | 4159340 | HD40R / HD40F | 40ft | 413040 |
| 9335 AGCO | 35ft | 4159335 | HD45R / HD45F | 45ft | 413045 |
| 9330 AGCO | 30ft | 4159330 | HD50R / HD50F | 50ft | 413050 |
| 9250 / 9255 Dynaflex | 45ft | 406504 | 645FD / 745FD / RD45F | 45ft | 405853 |
| 9250 / 9255 Dynaflex | 40ft | 406503 | 640FD / 740FD / RD40F | 40ft | 405852 |
| 9250 / 9255 Dynaflex | 35ft | 406502 | 635FD / 735FD / RD35F | 35ft | 405851 |
| 9250 / 9255 Dynaflex | 30ft | 406501 | 630FD / 730FD / RD30F | 30ft | 405850 |
| 9250 / 9255 Dynaflex | 25ft | 406500 | 640D/740D | 40ft | 405848 |
| 5300 / 5400 AGCO | 40ft | 405863 | 635D/735D | 35ft | 405847 |
| 5300 / 5400 AGCO | 35ft | 405862 | 630D/730D | 30ft | 405846 |
| 5300 / 5400 AGCO | 30ft | 405861 | 625D/725D | 25ft | 405845 |
| 5300 / 5400 AGCO | 25ft | 405860 | 936D | 36ft | 405844 |
| 5000 - 5200 AGCO | 36ft | 405797 | 930D | 30ft | 405843 |
| 5000 - 5200 AGCO | 30ft | 405796 | 925D | 25ft | 405842 |
| 5000 - 5200 AGCO | 25ft | 405795 | 440 Swather (D65) | 40ft | 405867 |
| 600 AGCO | 36ft | 405828 | 2360 Swather | 18ft | 405840 |
| 600 AGCO | 30ft | 405827 | MacDon | | |
| Honey Bee | | | 960 Finger Forward | 25ft | 405870 |
| Honey Bee AirFlex | 30ft | 412230 | 960 Finger Forward | 30ft | 405871 |
| Honey Bee AirFlex | 36ft | 412236 | 960 Dual Drive | 36ft | 405885 |
| Honey Bee AirFlex | 40ft | 412240 | 962 (CNH 1042) | 25ft | 405880 |
| Honey Bee AirFlex | 45ft | 412245 | 962 / 963 (CNH 1042 / 2042) | 30ft | 405824 |
| Honey Bee AirFlex | 50ft | 412250 | 962 / 963 (CNH 1042 / 2042) | 36ft | 405826 |
| Honey Bee | 42ft | 405812 | 972 / 973 (CNH 1052 / 2052) | 15ft | 405874 |
| Honey Bee NH94C | 40ft | 405810 | 972 / 973 (CNH 1052 / 2052) | 18ft | 405930 |
| Honey Bee | 39ft | 405811 | 972 / 973 (CNH 1052 / 2052) | 21ft | 405875 |
| Honey Bee (Ctr) NH94C | 36ft | 405803 | 972 / 973 (CNH 1052 / 2052) | 25ft | 405876 |
| Honey Bee (Offset) | 36ft | 405806 | 972 / 973 (CNH 1052 / 2052) | 30ft | 405877 |
| Honey Bee, NH94C | 30ft | 405802 | 972 / 973 (CNH 1052 / 2052) | 36ft | 405878 |
| Honey Bee | 25ft | 405800 | 974 (CNH 2062, NH84C) | 30ft | 410029 |
| CNH | | | 974 (CNH 2062, NH84C) | 36ft | 410036 |
| NH 840CD, 880CF, CNH 3142, 3152, 3162 | 45ft | 406499 | D60 / D65 / D145 (CNH 2142, 2152) | 45ft | 405873 |
| NH 840CD, 880CF, CNH 3142, 3152, 3162 | 40ft | 406498 | D60 / D65 / D140 (CNH 2142, 2152) | 40ft | 405867 |
| NH 840CD, 880CF, CNH 3142, 3152, 3162 | 35ft | 406497 | D60 / D65 / D135 (CNH 2142, 2152) | 35ft | 405866 |
| NH 840CD, 880CF, CNH 3142, 3152, 3162 | 30ft | 406496 | D60 / D65 / D130 (CNH 2142, 2152) | 30ft | 405865 |
| NH 840CD, 880CF, CNH 3142, 3152, 3162 | 25ft | 406495 | D60 / D65 / D125 (CNH 2142, 2152) | 25ft | 405864 |
| Midwest | | | FD70 / FD75 / FD145 (CNH 2162) | 45ft | 410045 |
| Midwest | 45ft | 405836 | FD70 / FD75 / FD140 (CNH 2162) | 40ft | 410040 |
| Midwest | 42ft | 405835 | FD70 / FD75 / FD135 (CNH 2162) | 35ft | 410035 |
| Midwest | 40ft | 405834 | FD70 / FD75 / FD130 (CNH 2162) | 30ft | 410030 |
| Midwest | 36ft | 405833 | FD250 | 50ft | 420050 |
| CLAAS | | | FD245 | 45ft | 420045 |
| MaxFlo 1050 | 35ft | 411050 | FD240, Triple Reel | 40ft | 420040 |
| MaxFlo 1200 | 40ft | 411200 | FD241, Dual Reel | 40ft | 420041 |
| Convio 1080 | 35ft | 411080 | FD235 | 35ft | 420035 |
| Convio 1230 | 40ft | 411230 | | | |
| Convio 1380 | 45ft | 411380 | | | |

PRICED IN CANADIAN DOLLARS

PRICES ARE FOB BENITO, MB – DESIGN & PRICE ARE SUBJECT TO CHANGE WITHOUT NOTICE



Date Change Only

Sprayers ATV & Side by Side

- Features Include:**
- Ideal for drift reduction and reducing off target drift & subsequent damage in adjacent property.
 - Useful for livestock operation in fence lines & patch treatment in pastures.
 - Municipalities can control unwanted vegetation in ditches, boulevards & ditches.
- Standard Equipment:**
- Follows the ground with wheels that are included to ensure best wind protection.
 - Includes a 15-60 US gallon V bottom tank, a high capacity 12V pump with relief valve.
 - Shutoff valves for each boom section.
- Optional Equipment:**
- 5, 10 & 15' standard units available, ask about special orders.
 - Hand wand with hose reel.
 - Fresh water or second chemical tank.
 - Chemical Inductor.

| Model # | Description | MSRP [CDN] |
|---------|---|------------|
| 235400 | Complete 10' Shielded Sprayer, 12 gal tank, ATV receiver mounts | \$3,920.00 |
| 235481 | Complete 15' Shielded Sprayer, 50 gal tank, UTV box mount | \$6,020.00 |
| 235399 | Complete 15' Shielded Sprayer, 50 gal tank, 3 PT hitch mount | \$5,670.00 |
| 235645 | Shielded Boom section, 5' centre, 3 way rollover nozzles | \$965.00 |
| 235640 | Shielded Boom section, 5' left, 3 way rollover nozzles | \$965.00 |
| 235635 | Shielded Boom section, 5' right, 3 way rollover nozzles | \$965.00 |
| 231790 | Premium hand wand, 50' hose on manual reel with ball valve | \$1,150.00 |
| 237751 | Chemical Inductor | \$125.00 |
| 235482 | Electric remote control for boom shut-offs | \$700.00 |
| 231709 | LH or RH end nozzle kit (not shielded) | \$454.00 |
| 235840 | Eye and hand wash fresh water kit, 12 gallon | \$460.00 |
| 115340 | Trimble GFX350 with Nav 500 | \$3,499.00 |
| | Factory set up or installation | \$400.00 |



PRICED IN CANADIAN DOLLARS

PRICES ARE FOB BENITO, MB – DESIGN & PRICE ARE SUBJECT TO CHANGE WITHOUT NOTICE



Date Change Only

Sprayers

Truck Mounted Road Side

| | |
|----------------------------|--|
| Features Include: | |
| ▪ | Ideal for drift reduction and reducing off target drift & subsequent damage in adjacent property. |
| ▪ | Municipalities can control unwanted vegetation in ditches, boulevards & ditches. |
| Standard Equipment: | |
| ▪ | Shielded sprayer with gauge wheels follow the ground to insure best drift protection. |
| ▪ | High capacity Honda pump. |
| ▪ | Shutoff valves for each boom section. |
| ▪ | Auto reset boom breakaway. |
| Optional Equipment: | |
| ▪ | 7, 12 & 17' standard units available, ask about special orders |
| ▪ | Hand wand with hose reel, 425-510 US gallon V bottom fill tank |
| ▪ | Fresh water, second or third chemical tank |
| ▪ | Upper or lower end nozzles. Eye & hand wash kit. Firefighter nozzle, Microtrak autorate controller |

| Model # | Description | | MSRP [CDN] |
|---------|--------------|---|------------|
| 231815 | Base | Road Side Sprayer, w Honda pump & microtrak autorate controller | \$8,665.00 |
| 231816 | Base | Road Side Sprayer, w Honda pump & manual pressure control | \$6,050.00 |
| 231850 | Booms | S18 Shielded Sprayer Boom, 7' 4 nozzle centre w/Varitarget | \$6,100.00 |
| 231853 | Booms | S18 Shielded Sprayer Boom, 5' 3 nozzle left w/Varitarget | \$4,300.00 |
| 231858 | Booms | S18 Shielded Sprayer Boom, 5' 3 nozzle right w/Varitarget | \$4,300.00 |
| 231810 | Booms | Shielded Sprayer Boom, 7' 4 nozzle right w/Varitarget | \$5,070.00 |
| 231701 | Tanks | 425 gallon tank for 5 ½' truck bed | \$5,075.00 |
| 231700 | Tanks | 510 gallon tank for 6 ½" truck bed | \$5,375.00 |
| 231702 | Tanks | Dual 510 gallon tanks for trucks with deck | \$7,170.00 |
| 231695 | Tanks | Dual 60 gallon optional tanks for 8' truck bed | \$2,050.00 |
| | | OPTIONS | |
| 231709 | | Lower end nozzle kit, not shielded | \$445.00 |
| 231708 | | Upper end nozzle kit, not shielded | \$445.00 |
| 116222 | | Firehose nozzle kit, 12' hose with manual shut off | \$500.00 |
| 231790 | | Hand wand kit, 100' hose on manual rewind reel | \$1,750.00 |
| 231686 | | Premium hand wand kit, 100' hose on 12VDC electric rewind reel | \$2,950.00 |
| 231681 | | LED Beacon light kit, 360 degree view | \$350.00 |
| | | Colour monitor and camera for RH boom view | \$900.00 |
| 235840 | | Eye & hand wash fresh water kit, 12 gallon | \$460.00 |
| | | Factory set up or installation | \$900.00 |



PRICED IN CANADIAN DOLLARS

PRICES ARE FOB BENITO, MB – DESIGN & PRICE ARE SUBJECT TO CHANGE WITHOUT NOTICE



Date Change Only

Sprayers

Cat II 3 Point Hitch Road Side

- Features Include:**
- Ideal for drift reduction and reducing off target drift & subsequent damage in adjacent property.
 - Municipalities can control unwanted vegetation in ditches, boulevards & ditches.
- Standard Equipment:**
- Shielded sprayer with gauge wheels follow the ground to insure best drift protection.
 - 60 US gallon V bottom fill tank with high capacity hydraulic pump.
 - Shutoff valves for each boom section.
 - Auto reset boom breakaway.
- Optional Equipment:**
- 7, 12 & 17' standard units available, ask about special orders
 - Hand wand with hose reel
 - Fresh water, second or third chemical tank
 - Upper or lower end nozzles. Eye & hand wash kit. Firefighter nozzle, Microtrak autorate controller

| Model # | Description | | MSRP [CDN] |
|---------|-----------------|---|------------|
| 235975 | Plumbing | Road Side Sprayer, w Hydraulic pump & microtrak autorate controller | \$8,665.00 |
| 235976 | Plumbing | Road Side Sprayer, w Hydraulic pump & manual pressure control | \$6,050.00 |
| 231850 | Booms | S18 Shielded Sprayer Boom, 7' 4 nozzle centre w/Varitarget | \$6,100.00 |
| 231853 | Booms | S18 Shielded Sprayer Boom, 5' 3 nozzle left w/Varitarget | \$4,300.00 |
| 231858 | Booms | S18 Shielded Sprayer Boom, 5' 3 nozzle right w/Varitarget | \$4,300.00 |
| 231810 | Booms | Shielded Sprayer Boom, 7' 4 nozzle right w/Varitarget | \$5,070.00 |
| 235960 | Base | 60 gallon tank for 3 point hitch | \$5,250.00 |
| 235961 | Base | Dual 60 gallon tanks for 3 point hitch | \$6,300.00 |
| | | OPTIONS | |
| 231709 | | Lower end nozzle kit, not shielded | \$445.00 |
| 231708 | | Upper end nozzle kit, not shielded | \$445.00 |
| 116222 | | Firehose nozzle kit, 12' hose with manual shut off | \$500.00 |
| 231790 | | Hand wand kit, 100' hose on manual rewind reel | \$1,750.00 |
| 231686 | | Premium hand wand kit, 100' hose on 12VDC electric rewind reel | \$2,950.00 |
| 231681 | | LED Beacon light kit, 360 degree view | \$350.00 |
| | | Colour monitor and camera for RH boom view | \$900.00 |
| 235840 | | Eye & hand wash fresh water kit, 12 gallon | \$460.00 |
| | | Factory set up or installation | \$900.00 |



PRICED IN CANADIAN DOLLARS

PRICES ARE FOB BENITO, MB – DESIGN & PRICE ARE SUBJECT TO CHANGE WITHOUT NOTICE



5808 Hwy #9, Harriston, Ontario, N0G 1Z0
Phone: 519-338-2923, Fax: 519-338-2756
Email: sales@harcoag.ca
www.harcoag.ca

Date Change
Call for prices

Multi Trailer

Hay Hauling System – Sold Factory Direct

Features Include:

- Manual electric brake interlock for loading
- Conversion from flat deck to bale mode in under a minute with one person

Standard Equipment:

- 8000 lb axles, trailer ramps
- 14 ply – load range ‘G’ tires, LED lights

Optional Equipment:

- 2 5/16” Ezee guide ball hitch
- King Pin Hitch

| Model # | Description | MSRP [CDN] |
|--------------------------|--|------------|
| 450660 | Multi-Trailer – 31’, Tri-Axle Hay Hauling System | |
| Replacement Parts | | |
| 450398 | Kingpin Hitch | |
| 450476 | 2 5/16” Ball Ezee Guide Hitch | |
| 113984 | 14 Ply Spare Tire w/Rim | |
| 450890 | Rear Flashing Amber Light | |
| | Please contact Harco for current freight quote | |



PRICED IN CANADIAN DOLLARS

PRICES ARE FOB BENITO, MB – DESIGN & PRICE ARE SUBJECT TO CHANGE WITHOUT NOTICE

Sitrex Mowers

| Disc Mower – Series DM | | | | | |
|------------------------|---|--------|-----|------------|-------------|
| Code | Model | Weight | | Net Set Up | Price [CDN] |
| | | Lb | Kg | | |
| 801.281 | DM/4 4 Disc Mower – 66” Cutting Width | 700 | 320 | \$100.00 | \$14,277.00 |
| 801.282 | DM/5 5 Disc Mower – 81” Cutting Width | 810 | 370 | \$100.00 | \$15,620.00 |
| 801.311 | *DM/6-S 6 Disc Mower – 95” Cutting Width | 910 | 420 | \$120.00 | \$20,320.00 |
| 801.310 | *DM/7-S 7 Disc Mower – 110” Cutting Width | 1,080 | 490 | \$120.00 | \$21,502.00 |
| 801.322 | *DM/8-S 8 Disc Mower – 127” Cutting Width | 1,400 | 635 | \$120.00 | \$27,195.00 |

**The DM S series mowers (6, 7, 8 discs) have a different, more robust frame structure and drives for more professional uses.*



PRICED IN CANADIAN DOLLARS

PRICES ARE FOB HARRISTON, ON- DESIGN & PRICE ARE SUBJECT TO CHANGE WITHOUT NOTICE

5808 Hwy #9, Harriston, Ontario, N0G 1Z0
Phone: 519-338-2923 Fax: 519-338-2756
Email: sales@harcoag.ca / www.harcoag.ca

Sitrex Hay Rakes, Tedders, Bale Wrappers & Balers

| Code | Model | Weight | | Net Set Up | Price [CDN] |
|---|---------------------------------------|--------|------|------------|--------------|
| | | Lb | Kg | | |
| 3-Point Type – RP Series | | | | | |
| 802.036 | RP/2 RH | 145 | 66 | \$60.00 | \$ 1,332.00 |
| 802.037 | RP/3 | | | \$90.00 | \$ 1,905.00 |
| 802.010 | RP/4 RH | 396 | 180 | \$120.00 | \$ 2,517.00 |
| 802.012 | RP/5 RH Wheel on end | 440 | 200 | \$150.00 | \$ 3,026.00 |
| 802.017 | RP/6 RH | 551 | 250 | \$180.00 | \$ 3,893.00 |
| QR Series V-Rake with Suspension | | | | | |
| 802.352 | QR-8, 8 Wheel, 10' Working Width | 1500 | | \$250.00 | \$ 12,496.00 |
| 802.353 | QR-10, 10 Wheel, 22' Working Width | 1630 | | \$315.00 | \$ 14,066.00 |
| 802.354 | QR-12, 12 Wheel, 25' 7" Working Width | 1830 | | \$380.00 | \$ 16,011.00 |
| 230.371/c | QR Centre Kicker Wheel | | | | \$ 1,465.00 |
| 230.735 | QR HYDR. ADJ. KIT QR8-10 | | | | \$ 2,035.00 |
| 230.736 | QR HYDR. ADJ. KIT QR8-12 | | | | \$ 2,075.00 |
| 230.908 | CONVERSION KIT FOR QR/8 IN QR/10 | | | | \$ 2,035.00 |
| QRX Series V-Rake | | | | | |
| 802.930 | QRX-12, 12 Wheel, 55" x 7mm Tines | 2670 | 1210 | \$420.00 | \$ 21,802.00 |
| 802.931 | QRX-14, 14 wheel, 55" x 7mm Tines | 2955 | 1340 | \$480.00 | \$ 23,594.00 |
| 802.934 | QRX-16, 16 wheel, 55" x 7mm Tines | 3616 | 1640 | \$600.00 | \$ 28,533.00 |
| 802.932 | QRX-12, 12 wheel, 60" x 7.5mm Tines | 2955 | 1340 | \$420.00 | \$ 22,392.00 |
| 802.933 | QRX-14, 14 wheel, 60" x 7.5mm Tines | 3330 | 1510 | \$480.00 | \$ 24,288.00 |
| 802.935 | QRX-16, 16 wheel, 60" x 7.5mm Tines | 3616 | 1640 | \$600.00 | \$ 29,325.00 |
| 260.698 | Dual Kicker Wheel Kit | | | | \$ 2,240.00 |
| Basket Rakes | | | | | |
| 802.895 | BR2030/6 | | | | \$ 87,220.00 |
| 802.891 | BR2030/7 | | | | \$ 88,431.00 |
| HEAVY DUTY RAKES | | | | | |
| 802.740 | PRO/17 RAKE (17 wheels) | | | | \$ 64,430.00 |

PRICED IN CANADIAN DOLLARS

PRICES ARE FOB HARRISTON, ON - DESIGN + PRICE ARE SUBJECT TO CHANGE WITHOUT NOTICE

5808 Hwy #9, Harriston, Ontario, N0G 1Z0
 Phone: 519-338-2923 Fax: 519-338-2756
 Email: sales@harcoag.ca / www.harcoag.ca

File Section: 3, Page 47
 Effective January 1, 2026

| Code | Model | Weight | | Net Set Up | Price [CDN] |
|--|--|--------|------|------------|--------------|
| | | Lb | Kg | | |
| MX Explorer Rakes – Pull Type | | | | | |
| 802.030 | MX/8 Less Ratchet Jack | 2685 | 1220 | \$320.00 | \$ 21,701.00 |
| 802.016 | MX/10 Less Ratchet Jack | 3015 | 1370 | \$400.00 | \$ 23,169.00 |
| 802.158 | MX/12 With Ratchet Jack | 3350 | 1520 | \$480.00 | \$ 24,970.00 |
| Optional | | | | | |
| 220.264 | Ratchet Jack Kit | | | | \$ 867.00 |
| 220.379 | Hydraulic Kicker Wheel Kit | | | | \$ 2,624.00 |
| 220.434 | Single Side Opening Kit | | | | \$ 1,722.00 |
| 220.441 | Conversion Kit – MX8-10 | | | | \$ 1,722.00 |
| Tedders | | | | | |
| 802.739 | RT/3000 Pull Type | 385 | 175 | | \$ 5,260.00 |
| 802.747 | RT/5200 17' Spring Lift Pull Type | | | | \$ 10,684.00 |
| 802.746 | RT/5200 H 17' Hydraulic Lift Pull Type | 830 | 377 | | \$ 11,459.00 |
| 802.788 | RT/5800 19' Hydraulic Lift – Pull Type | | | | \$ 12,820.00 |
| 802.015 | ST/780H Six Rotors, Hydraulic 26' Pull | 2470 | 1120 | | \$ 33,666.00 |
| Tedders – Rakes | | | | | |
| 802.129 | Hay Maker 300 | 726 | 330 | | \$ 8,786.00 |
| 802.091 | Hay Maker 400 | 924 | 420 | | \$ 13,155.00 |
| <i>Including PTO Shaft</i> | | | | | |
| MKE Professional Rakes – Pull Type, New Style | | | | | |
| 802.918 | MKE/10, 10 Wheel, 55" x 7mm Tines | 3920 | 1780 | \$400.00 | \$ 29,452.00 |
| 802.919 | MKE/12, 12 Wheel, 55" x 7mm Tines | 4275 | 1940 | \$480.00 | \$ 30,935.00 |
| 802.920 | MKE/14, 14 Wheel, 55" x 7mm Tines | 5615 | 2550 | \$560.00 | \$ 40,815.00 |
| 802.921 | MKE/16, 16 Wheel, 55" x 7mm Tines | 6060 | 2750 | \$640.00 | \$ 42,312.00 |
| 802.922 | MKE/18, 18 Wheel, 55" x 7mm Tines | 7465 | 3385 | \$720.00 | \$ 49,699.00 |
| 802.923 | MKE/20, 20 Wheel, 55" x 7mm Tines | 7760 | 3520 | \$800.00 | \$ 51,193.00 |
| <i>MKE Series Rakes – 60" x 7.5mm Wheel Option</i> | | | | | |

PRICED IN CANADIAN DOLLARS

PRICES ARE FOB HARRISTON, ON - DESIGN + PRICE ARE SUBJECT TO CHANGE WITHOUT NOTICE

5808 Hwy #9, Harriston, Ontario, N0G 1Z0
 Phone: 519-338-2923 Fax: 519-338-2756
 Email: sales@harcoag.ca / www.harcoag.ca

File Section: 3, Page 47a
 Effective January 1, 2026

| Code | Model | Weight | | Net Set Up | Price [CDN] |
|---|--|--------|------|------------|--------------|
| | | Lb | Kg | | |
| MKE Professional Rakes Continued | | | | | |
| Optional | | | | | |
| 250.462/b | Hydraulic Kicker Wheel Kit | | | | \$ 3,326.00 |
| 250.441 | Tandem Tire/Wheel Kit | | | | \$ 2,480.00 |
| 250.443 | Rear Hydraulic Opening Kit – MKE10-12 | | | | \$ 3,000.00 |
| 250.444 | Rear Hydraulic Opening Kit – MKE14-16 | | | | \$ 3,049.00 |
| 250.492 | Rear Hydraulic Opening Kit – MKE18-20 | | | | \$ 3,139.00 |
| 250.436 | Conversion Kit – MKE10-12, 55" Wheels | | | | \$ 1,500.00 |
| 250.437 | Conversion Kit – MKE14-16, 55" Wheels | | | | \$ 2,072.00 |
| 250.437 | Conversion Kit – MKE18-20, 55" Wheels | | | | \$ 2,072.00 |
| 250.438 | Conversion Kit, MKE10-12, 60" Wheels | | | | \$ 1,592.00 |
| 250.439 | Conversion Kit, MKE14-16, 60" Wheels | | | | \$ 2,165.00 |
| 250.439 | Conversion Kit, MKE18-20, 60" Wheels | | | | \$ 2,165.00 |
| 250.445 | Single Side Opening Kit | | | | \$ 1,740.00 |
| Rotary Rakes | | | | | |
| 802.081 | SR320/8, 3-Point, 8 Arms | | | | \$ 10,236.00 |
| 802.599 | SR350/9, 3-Point, 9 Arms | 991 | 450 | \$150.00 | \$ 12,846.00 |
| 812.014 | SR420/11, 3-Point, 11 Arms | 1233 | 560 | \$200.00 | \$ 16,196.00 |
| 802.063 | SR420/11H Pull-Type | 1352 | 614 | \$200.00 | \$ 20,782.00 |
| 802.321 | SR500/13, 3-Point, 13 Arm | 1907 | 865 | \$300.00 | \$ 19,970.00 |
| 802.729 | SR500/13, Pull-Type w/ Tandem, 13 Arms | 1907 | 865 | \$300.00 | \$ 22,444.00 |
| 812.024 | TW7800 Twin Rotary Rake | 4140 | 1880 | | \$ 52,266.00 |

PRICED IN CANADIAN DOLLARS

PRICES ARE FOB HARRISTON, ON - DESIGN + PRICE ARE SUBJECT TO CHANGE WITHOUT NOTICE

5808 Hwy #9, Harriston, Ontario, N0G 1Z0
 Phone: 519-338-2923 Fax: 519-338-2756
 Email: sales@harcoag.ca / www.harcoag.ca

File Section: 3, Page 47b
 Effective January 1, 2026

Sitrex Bale Wrappers & Balers

| Code | Model | Weight | | Net Set Up | Price [CDN] |
|-----------------------|---|--|----|------------|--------------|
| | | Lb | Kg | | |
| Baler Wrappers | | | | | |
| 802.295 | WR/1600 Standard 3 PT | | | | \$ 41,321.00 |
| 802.296 | WR/1800 Standard 3 PT | | | | \$ 28,472.00 |
| 802.299 | WR/3100 Standard Pull Type | | | | \$ 37,628.00 |
| 802.301 | WR/5100 Standard Pull Type | | | | \$ 48,517.00 |
| 802.542 | WR/1600-A with Automatic Wrapping-3 PT | | | | \$ 47,884.00 |
| 802.494 | WR/1800-A with Automatic Wrapping-3 PT | | | | \$ 38,174.00 |
| 802.545 | WR/3100-A with Automatic Wrapping-Pull Type | | | | \$ 45,038.00 |
| 802.546 | WR/5100-A with Automatic Wrapping-Pull Type | | | | \$ 58,144.00 |
| Optional | | | | | |
| 240.197 | Overturning vertical bale kit WR3100 | | | | \$ 3,104.00 |
| Balers | | | | | |
| 808.009 | M50 Mini Round Baler | | | | \$ 31,351.00 |
| 808.011 | M60 Mini Square Baler | | | | \$ 32,654.00 |
| 808.012 | M60 Super Square Baler IN STOCK | Holding 2025 price of \$33,553.00 | | | \$ 33,729.00 |
| 808.013 | M61 Export/160 Square Baler | | | | \$ 38,842.00 |
| 808.014 | M61 Export/170 Square Baler | | | | \$ 41,521.00 |

PRICED IN CANADIAN DOLLARS

PRICES ARE FOB HARRISTON, ON - DESIGN + PRICE ARE SUBJECT TO CHANGE WITHOUT NOTICE

DARF Rakes

| 7-Bar Hydraulic Basket Rake | | | | |
|-----------------------------|------------------------------------|--------------|----------|-------------|
| Model | Description | Weight (lbs) | Assembly | Price [USD] |
| 6707CG | Fully Hydraulic, 31', Clevis Hitch | 6250 | | \$48,999.00 |

| Super Duty 17-Wheel Overhead Rakes | | | | |
|------------------------------------|-----------------------------|------|----------|-------------|
| 1017LAC | Manual, 24' | 5450 | \$800.00 | \$44,725.00 |
| 1017LWAC | Manual, Wide, 29' | 5705 | \$800.00 | \$46,610.00 |
| 1017LFMAC | Hydraulic, 24' | 5450 | \$950.00 | \$48,270.00 |
| 1017LFMWAC | Hydraulic, Wide, 29' | 5750 | \$950.00 | \$50,975.00 |
| 1017LFMWGC | Hydraulic, Wide, GSNCK, 29' | 5905 | \$950.00 | \$52,015.00 |

| 3-Point Mount 15 Wheel Rake | | | | |
|-----------------------------|-------------|------|----------|-------------|
| 915BRP | Manual, 22' | 2740 | \$600.00 | \$28,450.00 |

| 3 & 4 Wheel Front Mounted Turning Rakes | | | | |
|---|-------------|------|----------|------------|
| 903BRHP | Manual, 65" | 975 | \$125.00 | \$5,095.00 |
| 904BRHP | Manual, 81" | 1075 | \$125.00 | \$6,325.00 |

| 3 & 4 Wheel Rear Mounted Turning Rakes | | | | |
|--|-------------|-----|----------|------------|
| 943BRP | Manual, 65" | 560 | \$175.00 | \$6,425.00 |
| 944BRP | Manual, 81" | 670 | \$175.00 | \$7,645.00 |

| 5 & 8 Wheel Tow Behind Turning Rakes | | | | |
|--------------------------------------|-------------|------|----------|-------------|
| 905TGBRP | Manual, 8' | 1425 | \$200.00 | \$14,095.00 |
| 908TGBRP | Manual, 12' | 1875 | \$225.00 | \$19,995.00 |

| 10-Wheel 3-Point Mount Brush Rake | | | | |
|-----------------------------------|-------------|------|----------|-------------|
| 510 | Manual, 20' | 1700 | \$350.00 | \$13,350.00 |

| TIRES ARE ADDITIONAL – LIST PRICES | | | | |
|---|-------------------|--------------------|--|--|
| Part Number | Description | Price [USD] | | |
| FC715KIT | 7.62-15SL-8 Tires | PER KIT \$1,565.00 | | |
| SG11LX15-M | 11L-15SL-8 Tires | PER KIT \$1,975.00 | | |

PRICED IN UNITED STATES DOLLARS

PRICES ARE FOB SHAFTER, CA IN U.S.D. – SUBJECT TO CHANGE WITHOUT NOTICE

DARF Rakes – Model Descriptions

| Model | Descriptions |
|----------------------|--|
| 6707CG | 7-BAR HYDRAULIC RAKE with super duty walking beam axle with 2" spindles, 6" wheels, rubber mounted universal tines. An eight function electric/hydraulic manifold and control box including adjustable basket speed. 33 1/2" drive & idler wheels made from 3/8" steel with gauge wheels' front and rear. Requires two hydraulic circuits on prime mover. Specify 2-5/16" ball hitch or clevis hitch. |
| 1017LAC | 17-WHEEL OVERHEAD RAKE with super duty walking beam axle with 2" spindles, 8" wheels, heavy duty hubs, taper bearings in rake wheel cranks, rubber mounted double tines & dur-adjust. Requires two hydraulic circuits on prime mover. Specify 2-5/16" ball hitch or clevis hitch. |
| 1017LWAC | 17-WHEEL OVERHEAD RAKE with heavy duty overhead, 5' rephrasing cylinders, super duty walking beam axles mounted with 2" spindles, 8" wheels heavy duty hubs, taper bearings in rake wheel cranks, rubber mounted double tines & dur-adjust. Requires 2 hydraulic circuits on prime mover. Specify 2-5/16" ball hitch or clevis hitch. |
| 1017LFMAC | 17-WHEEL OVERHEAD RAKE with Fasse 7-function electro/hydraulic control valve (operate all functions from the Operator Platform). Equipped with super duty walking beam axle mounted with 2" spindles, 8" wheels, heavy duty hub, taper bearings in rake wheel cranks, rubber mounted double tines & dur-adjust. Requires one hydraulic circuit & 12 volt access for control panel. Specify 2-5/16" ball hitch or clevis hitch. |
| 1017LFMWAC | 17-WHEEL OVERHEAD RAKE with heavy duty overhead, 5' rephrasing cylinders, super duty walking beam axles mounted with 2" spindles, heavy duty hubs, 8" wheels, rubber mounted double tines, dur-adjust and Fasse 7-function electro/hydraulic control valve (operate all functions from Operator Platform). Requires one hydraulic circuit and 12 volt access for control panel. Specify 2-5/16" ball hitch or clevis hitch. |
| 1017LFMWGC | 17-WHEEL OVERHEAD RAKE (same as above) EXCEPT WITH A GOOSENECK DRAW BAR. |
| 915BRP | 15-WHEEL, 3-POINT MOUNTED RAKE equipped with taper bearings in rake wheel cranks, and rubber mounted double tines. |
| 903BRHP 904BRHP | 3 OR 4 WHEEL WINDROW TURNER; FRONT MOUNTED, equipped with taper bearings in rake wheel cranks and rubber mounted double tines. |
| 943BRHP 944BRHP | 3 OR 4 WHEEL WINDROW TURNER; REAR MOUNTED, equipped with taper bearings in rake wheel cranks and rubber mounted double tines. |
| 905TGBRP 908TGBRP | 5 OR 8 WHEEL WINDROW TURNER; TOW BEHIND, equipped with taper bearings in rake wheel cranks and rubber mounted double tines. Requires one hydraulic circuit. Specify Right or Left Models and 2-5/16" ball hitch or clevis hitch. |
| 510 | 10-WHEEL 3-POINT MOUNTED BRUSH RAKE equipped with taper bearings in rake wheel cranks, heavy duty double rake wheel frames and solid steel wheel covers. Raking Frames feature removeable segments. Can be used in 6, 8 or 10 wheel configurations for different row spacing. Requires two hydraulic circuits. |

PRICED IN UNITED STATES DOLLARS

PRICES ARE FOB SHAFTER, CA IN U.S.D. – SUBJECT TO CHANGE WITHOUT NOTICE

Accessories & Conversions

| Part # | Description | Price [USD] |
|----------------------------|--|-------------|
| KSC917FS | Cable Track Conversion Kit – 917F Standard | CALL |
| KSC917FW | Cable Track Conversion Kit – 917F Wide | CALL |
| KSC917S | Cable Track Conversion Kit –917 Standard | CALL |
| KSC917W | Cable Track Conversion Kit – 917 Wide | CALL |
| SRKIT2-17 | Dur-Adjust Kit for 17 Wheel Overhead Rake | \$3,900.00 |
| H7000806 | Fasse Conversion Kit for 917 Standard Includes: Hoses, Fittings, Control Panel, Valve Body, Swing Cylinders, Cable Track & Mounting Brackets | \$8,540.00 |
| H7000806A | Fasse Conversion Kit for 917 Wide Includes: Hoses, Fittings, Control Panel, Valve Body, Swing Cylinders, Cable Track & Mounting Brackets | \$6,145.00 |
| 101793FLAC / 101793FRAC | Add a Wheel – Front – Kit with Crank, Spring & Rod with a Complete Rake Wheel (Left or Right) | \$1,945.00 |
| 101792RLAC / 101793RRAC | Add a Wheel – Rear – Kit with Crank, Spring & Chain with a Complete Rake Wheel (Left or Right) | \$1,145.00 |
| 9080301 | Retrofit with 4910# Hub – Complete Heavy Duty Walking Beam – Includes: Heavy Duty Hubs, Spindles, without Wheels One Rake to Convert from Standard Walking Beam or Fixed Axle. Both Sides | CALL |
| 1180301 | Retrofit with Complete Super Duty Walking Beam – Includes: Super Duty Hubs, Spindles, without Wheels, Convert from Any Beam or Fixed Axle. Both Sides. | CALL |
| 162000 | Gooseneck Assembly for 1017 Rake, Field Install | \$7,570.00 |
| GNK003 | Kicker Assembly, for Gooseneck Tongue, 3 Rake Wheels Complete with Spring & Rod | \$4,740.00 |
| 102114 | Heavy Duty Rake Wheel Frame | \$300.00 |
| 10211400P | Heavy Duty Rake Wheel Assembled with Poly Shield & Teeth (Included, but Not Attached) | \$679.00 |
| HDRW17-KIT | Heavy Duty Rake wheel Kit, Sold with Wholegoods | \$1,815.00 |

Net Charge for Complete Factory Assembly (No Discounts)

Unit is ready for delivery to your customer:

| | |
|---|---------------------|
| 2 thru 4 Wheel Standard Units | \$635.00 NET |
| 5 thru 6 Wheel Standard Units | \$715.00 NET |
| 8 Wheel Standard Units | \$850.00 NET |
| 13 thru 17 Wheel Standard Units | \$1,475.00 NET |
| All Fully Hydraulic Control Units | \$1,825.00 NET |
| ***Partial Assembly 17 Wheel Units | \$690.00 NET |

PRICED IN UNITED STATES DOLLARS

PRICES ARE FOB SHAFTER, CA IN U.S.D. – SUBJECT TO CHANGE WITHOUT NOTICE



Ferri is a leading international manufacturing company of boom mowers for grounds maintenance, slopes, river banks, and hedges. Flail Mowers and shredders for large and small excavators are available as well.

In addition to wholegoods and parts stocked by HARCO, the company supports North American after sale service, warranty and spare parts with a company warehouse in Massachusetts.

Due to the extensive line of models and options available the following price list gives base product prices only in USD (United States Dollars). For complete catalogue information (39 pages) contact your Harco Territory Manager, our sales desk at Harriston, or www.ferri-america.com.

| Model | Width of Cut | Slope or Fixed | Max. Capacity | Weight (lbs) | Price (CAD) |
|-----------------------|--------------|----------------|---------------|--------------|-------------|
| 3-Point Mowers | | | | | |
| ZME 155 | 5' 1" | Slope | 1" Y-Blade | 575 | \$15,742.00 |
| ZMGE 1600 | 5' 4" | Slope | 1 3/4" Hammer | 1025 | \$17,755.00 |
| ZMTE PRO 1600 | 5' 4" | Slope | 1 3/4" Hammer | 1336 | \$23,086.00 |
| ZMTE PRO 1800 | 6' 1/2" | Slope | 1 3/4" Hammer | 1,398 | \$23,669.00 |
| ZMTE PRO 2000 | 6' 8" | Slope | 1 3/4" Hammer | 1444 | \$23,910.00 |
| ZMTE PRO 2300 | 7' 5" | Slope | 1 3/4" Hammer | 1556 | \$24,756.00 |
| *ZLE PRO 2000 | 6' 8" | Slope | 1 3/4" Hammer | 1896 | \$28,170.00 |
| ZHE 2500 | 8' 3" | Slope | 1 3/4" Hammer | 2998 | \$36,017.00 |

| Boom Hedger | | | | | |
|---|--------------|-----------------------|-----------------|--------------|-------------|
| Model | Width of Cut | Max. Horizontal Reach | Max. Capacity | Weight (lbs) | Price (CAD) |
| T350 SI | 4' 11" | 11' 11" | 1/2" | 810 | \$21,226.00 |
| Boom Mowers | | | | | |
| <i>Prices include Delta yoke, stabilizer and oil cooler option where applicable</i> | | | | | |
| T250A Classic | 24" | 8' 3" | 3/4" Y-Blades | 749 | \$26,186.00 |
| T320A Classic | 31" | 10' 7" | 3/4" Y-Blades | 816 | \$27,147.00 |
| <i>Above Models Available with Electric Joystick – Please Call</i> | | | | | |
| T380D Smart-Classical | 39" | 12' 7" | 1 1/4" Y-Blades | 1080 | \$29,264.00 |
| T430 DR | 39" | 14' 2" | 1 1/4" Y-Blades | 1091 | \$32,685.00 |
| <i>Above Models Available with Electric Joystick – Please Call</i> | | | | | |
| TP600 Classic | 47" | 19' 6" | 1 3/4" T-Hammer | 2094 | \$49,592.00 |
| <i>Above Models Available with Electric Joystick – Please Call</i> | | | | | |

These prices are only good for Ferri units that we have in stock. For all other units, please use the Ferri Sales Book dated 2025/2026 found on our website. Thank You.

PRICED IN CANADIAN DOLLARS


FOB HARRISTON, ON – DESIGN & PRICE ARE SUBJECT TO CHANGE WITHOUT NOTICE

5808 Hwy #9, Harriston, Ontario, N0G 1Z0
Phone: 519-338-2923, Fax: 519-338-2756
Email: sales@harcoag.ca
www.harcoag.ca




DEL MORINO FLAIL MOWERS

ENGINE DRIVEN

| CENTURION ATV | Standard Features |
|--|---|
|  <p><i>Designed to be towed by a Quad, Rider or ATV. It can cut & mulch grass, weeds & shrubs, clear uncultivated fields.</i></p> | <p>NEW</p> <ul style="list-style-type: none"> ▪ 2" Ball Type Coupling ▪ Honda GX390 Engine/Loncin 420 ▪ 2 belt drive transmission w/screw adjustable tensioner ▪ Rotor w/blades or hammers ▪ Adjustable rear roller ▪ Mechanic side shift 56 cm ▪ Centrifugal clutch/fuel tank 6L. ▪ Wheel position adjustable ▪ Pull Start |

| Model # | Working Width | Engine HP | Wt (lbs) | Price (Cdn) |
|----------------|---------------|-----------|----------|-------------|
| ATV132 – Honda | 52" | 13 | 650 | \$5,885.00 |

| CENTURION ATV PRO | Standard Features |
|--|--|
|  <p><i>Designed to be towed by a Quad, Rider or ATV. It can cut & mulch grass, weeds & shrubs, clear uncultivated fields.</i></p> | <p>NEW</p> <ul style="list-style-type: none"> ▪ 2" Ball Type Coupling ▪ Honda IGX800 Engine ▪ 2 belt drive transmission w/screw adjustable tensioner ▪ Rotor w/blades or hammers ▪ Adjustable rear roller ▪ Mechanic side shift 56 cm ▪ Centrifugal clutch/fuel tank 11L. ▪ Wheel position adjustable ▪ Electric Start//Battery Included |


| Model # | Working Width | Engine HP | Wt (lbs) | Price (Cdn) |
|------------------|---------------|-----------|----------|-------------|
| ATV158 PRO Honda | 62" | 25 | 794 | \$9,493.00 |

PRICED IN CANADIAN DOLLARS


PRICES ARE FOB HARRISTON, ONTARIO – DESIGN & PRICE ARE SUBJECT TO CHANGE WITHOUT NOTICE



DEL MORINO FLAIL MOWERS

| GINGER | Standard Features |
|---|---|
|  | <ul style="list-style-type: none"> ▪ Cat 1 three point hitch ▪ Aluminum gearbox 540 rpm ▪ Rotary with 'Y' blades or hammers ▪ Universal PTO shaft cat 1 |

| Model # | Working Width | Engine HP | Wt (lbs) | Price (Cdn) |
|----------------|----------------------|------------------|-----------------|--------------------|
| Ginger 96 | 38" | 12 – 25 | 286 | \$2,061.00 |
| Ginger 106 | 42" | 12 – 35 | 308 | \$2,107.00 |
| Ginger 125 | 50" | 12 – 40 | 330 | \$2,350.00 |

| FUNNY TOP | Standard Features |
|---|--|
|  | <ul style="list-style-type: none"> ▪ Cat 1, three point hitch ▪ Aluminum 540 gearbox ▪ 2 belt drive ▪ Y blades or hammers ▪ Adjustable rear roller ▪ Series 2 PTO shaft ▪ Manual offset |

| Model # | Working Width | Engine HP | Wt (lbs) | Price (Cdn) |
|----------------|----------------------|------------------|-----------------|--------------------|
| Funny Top 80 | 32" | 12 – 30 | 313 | \$2,879.00 |
| Funny Top 93 | 36" | 12 – 30 | 328 | \$3,006.00 |
| Funny Top 106 | 42" | 12 – 30 | 344 | \$3,170.00 |
| Funny Top 132 | 52" | 12 – 30 | 375 | \$3,315.00 |
| Funny Top 158 | 62" | 12 – 30 | 432 | \$3,557.00 |

PRICED IN CANADIAN DOLLARS


PRICES ARE FOB HARRISTON, ONTARIO – DESIGN & PRICE ARE SUBJECT TO CHANGE WITHOUT NOTICE

5808 Hwy #9, Harriston, Ontario, N0G 1Z0
Phone: 519-338-2923, Fax: 519-338-2756
Email: sales@harcoag.ca
www.harcoag.ca


DelMorino



DEL MORINO FLAIL MOWERS

| CENTURION | Standard Features |
|---|---|
|  | <ul style="list-style-type: none"> ▪ Cat 1 three point hitch ▪ Cast iron 540 gearbox ▪ 2 drive belts ▪ Y blades or hammers ▪ Series 4 PTO shaft ▪ Hydraulic side shift, 106=8", 158=11" |

| Model # | Working Width | Engine HP | Wt (lbs) | Price (Cdn) |
|---------------|---------------|-----------|----------|-------------|
| Centurion 106 | 42" | 15 – 50 | 481 | \$3,730.00 |
| Centurion 132 | 52" | 15 – 50 | 567 | \$3,947.00 |
| Centurion 158 | 62" | 15 – 50 | 628 | \$4,200.00 |
| Centurion 186 | 73" | 15 – 50 | 769 | \$4,711.00 |

| FLIPPER | Standard Features |
|---|---|
|  | <ul style="list-style-type: none"> ▪ Cat 1&2 three point hitch ▪ Cast iron gearbox ▪ Standard 3 belt drive ▪ Y blades or hammers ▪ Adjustable roller & skid shoes ▪ Series 4 PTO shaft ▪ Hydraulic side shift ▪ Can be mounted front or rear reversible |

| Model # | Working Width | Engine HP | Wt (lbs) | Price (Cdn) |
|-------------|---------------|-----------|----------|-------------|
| Flipper 80 | 32" | 15 – 70 | 388 | \$4,270.00 |
| Flipper 106 | 42" | 15 – 70 | 441 | \$4,497.00 |
| Flipper 132 | 50" | 15 – 70 | 562 | \$5,027.00 |
| Flipper 158 | 62" | 15 – 70 | 635 | \$5,314.00 |
| Flipper 186 | 72" | 15 – 70 | 714 | \$5,671.00 |
| Flipper 214 | 85" | 15 – 70 | 966 | \$6,038.00 |

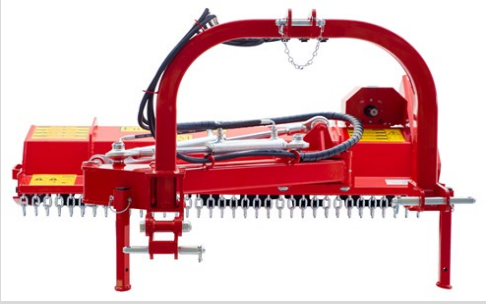
PRICED IN CANADIAN DOLLARS

PRICES ARE FOB HARRISTON, ONTARIO – DESIGN & PRICE ARE SUBJECT TO CHANGE WITHOUT NOTICE




5808 Hwy #9, Harriston, Ontario, N0G 1Z0
Phone: 519-338-2923, Fax: 519-338-2756
Email: sales@harcoag.ca
www.harcoag.ca

DEL MORINO FLAIL MOWERS

| FUNNY SUPER | Standard Features |
|---|--|
|  | <ul style="list-style-type: none"> ▪ Cat 1&2 three point hitch ▪ Aluminum 540 gearbox ▪ 2 drive belts ▪ Y blades or hammers ▪ Adjustable rear roller ▪ Series 4 PTO shaft ▪ 50° down, 90° up cutting head |

| Model # | Working Width | Engine HP | Wt (lbs) | Price (Cdn) |
|-----------------|---------------|-----------|----------|-------------|
| Funny Super 106 | 42" | 15 – 35 | 540 | \$6,323.00 |
| Funny Super 132 | 52" | 15 – 35 | 573 | \$6,558.00 |

| CENTURION SUPER | Standard Features |
|---|---|
|  | <ul style="list-style-type: none"> ▪ Cat 1&2 three point hitch ▪ Cast iron 540 gearbox ▪ 3 drive belts ▪ Y blades or hammers ▪ Adjustable rear roller ▪ Series 4 PTO shaft ▪ 50° down, 90° up cutting head |


| Model # | Working Width | Engine HP | Wt (lbs) | Price (Cdn) |
|----------------|---------------|-----------|----------|-------------|
| Cent Super 106 | 42" | 15 – 60 | 639 | \$6,944.00 |
| Cent Super 132 | 52" | 15 - 60 | 772 | \$7,300.00 |
| Cent Super 158 | 62" | 15 – 60 | 820 | \$7,530.00 |

PRICED IN CANADIAN DOLLARS


PRICES ARE FOB HARRISTON, ONTARIO – DESIGN & PRICE ARE SUBJECT TO CHANGE WITHOUT NOTICE

5808 Hwy #9, Harriston, Ontario, N0G 1Z0
Phone: 519-338-2923, Fax: 519-338-2756
Email: sales@harcoag.ca
www.harcoag.ca

DEL MORINO FLAIL MOWERS

| FLIPPER SUPER | Standard Features |
|---|---|
|  | <ul style="list-style-type: none"> ▪ Cat 1&2 three point hitch w/hydraulic side shift ▪ Counter blade Device ▪ High thickness side, 10 mm ▪ Adjustable rear roller ▪ Wide discharge area ▪ Universal PTO shaft cat 6 – 1800 mm ▪ Y blades or hammers |

| Model # | Working Width | Engine HP | Wt (lbs) | Price (Cdn) |
|-------------------|---------------|-----------|----------|-------------|
| Flipper Super 132 | 52" | 50 – 80 | 1036 | \$8,730.00 |
| Flipper Super 158 | 62" | 50 – 80 | 1085 | \$9,240.00 |
| Flipper Super 186 | 72" | 50 – 80 | 1135 | \$10,001.00 |

| LEVANTE SUPER | Standard Features |
|---|---|
|  | <ul style="list-style-type: none"> ▪ Transmission by 4 HD belts ▪ Counter blade Device ▪ High thickness side, 10 mm ▪ Wide discharge area ▪ Universal PTO shaft cat 6 – 1800 mm ▪ Y blades or hammers |

| Model # | Working Width | Engine HP | Wt (lbs) | Price (Cdn) |
|-------------------|---------------|-----------|----------|-------------|
| Levante Super 160 | 63" | 80 – 120 | 1588 | \$12,168.00 |
| Levante Super 190 | 75" | 80 – 120 | 1669 | \$12,999.00 |
| Levante Super 220 | 87" | 80 – 120 | 1753 | \$13,902.00 |

PRICED IN CANADIAN DOLLARS

PRICES ARE FOB HARRISTON, ONTARIO – DESIGN & PRICE ARE SUBJECT TO CHANGE WITHOUT NOTICE

5808 Hwy #9, Harriston, Ontario, N0G 1Z0
Phone: 519-338-2923, Fax: 519-338-2756
Email: sales@harcoag.ca
www.harcoag.ca



DEL MORINO

| Model | Cutting diameter |
|-----------|-------------------------------------|
| | |
| Ginger | 3 cm for blades 4 cm for hammers |
| | |
| Funny | Up to 3-4 cm |
| | |
| Centurion | Up to 4-5cm |
| | |
| Flipper | Up to 5-6 cm |
| | |
| Levante | Up to 6-7 cm |
| | |

Warranty:

Residential: 2 year parts & labour

Commercial: 1 year parts & labour

PRICED IN CANADIAN DOLLARS

PRICES ARE FOB HARRISTON, ONTARIO – DESIGN & PRICE ARE SUBJECT TO CHANGE WITHOUT NOTICE

TAB 4



Roller Mills
Electric Roller Mills

| Low Profile Mills | | | |
|--------------------------|-------------|--------------|------------------|
| Model | Description | Weight (lbs) | Price [USD] |
| LPM200 | Roller Mill | 350 | Call for pricing |
| LPE500 | Roller Mill | 550 | Call for pricing |
| LPE700 | Roller Mill | 550 | Call for pricing |

| Big Capacity Mills | | | |
|---------------------------|-------------|--------------|------------------|
| Model | Description | Weight (lbs) | Price [USD] |
| ABC900 | Roller Mill | 1,094 | Call for pricing |
| ABC1800 | Roller Mill | 1,452 | Call for pricing |
| ABC3600 | Roller Mill | 2,260 | Call for pricing |
| ABC5000 | Roller Mill | 4,500 | Call for pricing |

| Commercial Stacked Mills | | | |
|---------------------------------|-----------------------|--|------------------|
| CSU1000 | Two-High Stacked Unit | | Call for pricing |

| Electric Roller Mill Options | | | |
|-------------------------------------|-------------------------|--------------|------------------|
| Model | Description | Weight (lbs) | Price [USD] |
| LX200 | Auger Base Kit, LPM200 | 130 | Call for pricing |
| LX500 | Auger Base Kit, LPE500 | 150 | Call for pricing |
| LX700 | Auger Base Kit, LPE700 | | Call for pricing |
| LX900 | Auger Base Kit, ABC900 | | Call for pricing |
| LX1800 | Auger Base Kit, ABC1800 | | Call for pricing |
| LX3600 | Auger Base Kit, ABC3600 | | Call for pricing |
| LX5000 | Auger Base Kit, ABC5000 | | Call for pricing |

| Rotary Mill a la Carte | | | |
|-------------------------------|-----------------------|------------------------|--------------------------|
| Model | Description | ARM1665 16" x 6 x 5 | ARM16129 16" x 12 x 9 |
| | Base Unit | Call for pricing | Call for pricing |
| 72-0255 | PTO Kit | Call for pricing | Call for pricing |
| 72-0252 | Trailer Kit | Call for pricing | Call for pricing |
| 72-0254 | 30 hp Motor Kit | Call for pricing | Call for pricing |
| | | Call for pricing | Call for pricing |
| 72-0262 | **No Drive Shield Kit | Call for pricing | Call for pricing |
| 72-0275 | Cyclone | Call for pricing | Call for pricing |

**Required when no drive kit is ordered.

PRICED IN UNITED STATES DOLLARS

PRICES ARE FOB PENDER, NEBRASKA IN U.S.D. – SUBJECT TO CHANGE WITHOUT NOTICE



Trailer Roller Mills

(Auger or Blower Discharge Unit, Includes Intake Auger)

PTO Big Capacity Mills

| Model | Description | Weight (lbs) | Price [USD] |
|--------------|-------------------------|--------------|------------------|
| ATG900A | Auger Discharge Unit | | Call for pricing |
| ATG1820A | Auger Discharge Unit | 2,500 | Call for pricing |
| ATG1820B | Blower Discharge Unit | 2,450 | Call for pricing |
| ATG3620A | Auger Discharge Unit | 3,500 | Call for pricing |
| ATG3620A-SUI | Swing Under Intake | 3,900 | Call for pricing |
| ATG3620B | Blower Discharge Unit | 2,900 | Call for pricing |
| ATG6000A | Auger Discharge Unit | 5,500 | Call for pricing |
| ATG6020 | Auger Discharge Unit | | Call for pricing |
| ATG6020-SUI | Swing Under Intake | | Call for pricing |
| ATG10000C | Conveyor Discharge Unit | | Call for pricing |
| ATG15000 | Conveyor Discharge Unit | | Call for pricing |

Trailer Mills a la Carte

| Model | Description | Weight (lbs) | Price [USD] |
|---------|--------------------------|--------------|------------------|
| ATG1820 | Base Unit | | Call for pricing |
| 72-0265 | Loading Auger Kit | | Call for pricing |
| 72-0266 | Discharge Auger Kit | | Call for pricing |
| 72-0272 | Discharge Blower Kit | | Call for pricing |
| | | | |
| ATG3620 | Base Unit | | Call for pricing |
| 72-0250 | Loading Auger Kit | | Call for pricing |
| 72-0251 | Discharge Auger Kit | | Call for pricing |
| 72-0272 | Discharge Blower Kit | | Call for pricing |
| | Swing Under Intake Auger | | Call for pricing |
| | | | |
| ATG6000 | Base Unit | | Call for pricing |
| 72-0332 | Loading Auger Kit | | Call for pricing |
| 72-0276 | Discharge Auger Kit | | Call for pricing |
| 72-0339 | Swing Under Intake Auger | | Call for pricing |

Trailer Hammer Mills

| Model | Description | Weight (lbs) | Price [USD] |
|----------|-----------------------|--------------|------------------|
| ATH2000A | Auger Discharge Unit | | Call for pricing |
| ATH2000B | Blower Discharge Unit | | Call for pricing |

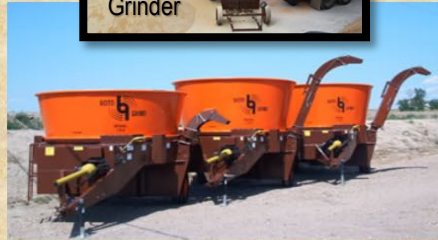
PRICED IN UNITED STATES DOLLARS

PRICES ARE FOB PENDER, NEBRASKA IN U.S.D. – SUBJECT TO CHANGE WITHOUT NOTICE

5808 Hwy #9, Harriston, Ontario, N0G 1Z0
Phone: 519-338-2923, Fax: 519-338-2756
Email: sales@harcoag.ca
www.harcoag.ca



Standard Model 760



Roto Grind Tub Grinder Models



Low Profile Model 760

Roto Grind Tub and Grain Grinders

Burrows Enterprises, LLC. 2024 East 8th Street, Greeley, Colorado 80631

Phone: (970) 353-3769***Fax: (970) 353-0839

Website: www.rotogrind.com

ROTO GRIND PRICE LIST

Suggested Retail - U.S. Funds

Roto Grind Tub Grinders are complete with the following standard equipment:

Tub Control Governor, Tub Speed Control, Hydraulic Hoses, Adjustable Riser, Standard Curved Spout, Tires Mounted, Shear Bolt, P.T.O., Swivel for Spout, Hardened Hammer Pins, Hard Surfaced Lead Hammers and Standard Hammers.

Model # 760 - High Profile Tub Grinder w/52" Deep Tub (Overall Height 8'6")
With 7" mill housing and standard equipment listed above **\$31,600.00**

Model # 760 - Low Profile Tub Grinder w/36" Deep Tub (Overall Height 7'6")
With 7" mill housing and standard equipment listed above **\$31,400.00**

Model # 1090 - High Profile Tub Grinder w/52" Deep Tub (Overall Height 8'8")
With 10" mill housing and standard equipment listed above **\$34,775.00**

Model # GG7 - Grain Grinder w / 3-point attachment 7" mill housing & Water kit_ **\$14,950.00**
With wheels & 12'x 10" hyd. Auger **\$22,500.00**


Model # GG10 Grain Grinder w/ 3-point attachment 10" mill housing & Water kit **\$16,725.00**
With wheels & 12'x 10" hyd. Auger **\$25,110.00**

Conversion Kit to add Hydraulic Auger option to 3PT Grain Grinders **\$5,055.00**

Call for pricing on Custom orders or machines with electric motor.
Assembled prices, suggested retail F.O.B. Manufacturing Plant.
Prices are subject to change without notice.

Teagle

Tomahawk 505M

| Description Chop bales of dry material to a consistently short length for feeding or bedding applications. · 5ft. Diameter Round Bales · 4ft. x 4ft. x 8ft Rectangular Bales · Dry Material Only · Distance Blown >23ft @ 1000 | | Specifications · 3 Pt. Cat 2 /3 **NEW** · 1000 RPM · Slip & Overrun Clutch PTO · Single acting Hyd.Drum Drive · PTO req. min. 80hp Std Drum/ 100 hp XLM Drum · Weight 2310lbs. · Std. Drum Length 5ft. · Supplied with One Screen | |  | |
|---|----------------------------|---|---------------------------------------|--|--|
| Additional Information is available on the Teagle website | | | | | |
| Item | Part Number | Description | Price | | |
| Base machine | T505M | Tomahawk 505M c/w 5ft. Drum Knife Rotor (std. production) with 72" Drum Length in Lieu of Standard 5 ft. & Hydraulic Top Link, Left hand lower chute. | \$34,563.00 | | |
| Tomahawk 505XLM | T505XLM | 9ft. Drum Length Machine for rectangular bales & Hydraulic Top Link, Left hand lower chute. | \$41,318.00 | | |
| All Screen are now manufactured in Abrasive Resistant Steel (Hardox) Please specify which size is to be supplied at time of machine order | SC1775 | 5/16" Screen | \$1,733.00 for each additional screen | | |
| | SC1674 | 3/8" Screen | | | |
| | SC1673 | 1/2" Screen | | | |
| | SC1676 | 19/32" Screen | | | |
| | SC1695 | 23/32" Screen | | | |
| | SC1660 | 13/16" Screen | | | |
| | SC1776 | 1" Screen | | | |
| | SC1677 | 1-1/8" Screen | | | |
| | SC1661 | 1-7/16" Screen | | | |
| | SC1771 | 2"x1-5/8" Slotted Screen | | | |
| SC1662 | 5" x 1-5/8" Slotted Screen | | | | |
| PTO Options | | | | | |
| 6 Spline PTO - Standard | PTO8125 | 6 Spline Tractor End | Std. | | |
| 21 Spline PTO - in lieu | PTO8127 | 21 Spline Tractor End In Lieu of 6 Spline | \$0.00 | | |
| 6 Spline WAJ PTO - in lieu | PTO8130 | 6 Spline Tractor End WAJ at Machine end | \$1,505.00 | | |
| Chute Options | | | | | |
| Left Hand Lower Chute | SC1867 | Left Hand Lower Discharge Chute | Std. | | |
| <i>Options Lower Chute</i> | SC1873 | Hose Adaptor (7" Dia.) for SC1867 | \$648.00 | | |
| | SC1871 | 135 deg. Rearward lower chute deflector for SC1867 | \$1,348.00 | | |
| Left Hand Giraffe Chutes | SC1227 | Chute for Dry material only | \$1,575.00 | | |
| | SC1964 | Mechanical Swivel Chute Dry Material | \$2,345.00 | | |
| <i>Options L/H Giraffe Chutes</i> | SC1337 | Hyd. Control Discharge Flap on SC1227 | \$1,523.00 | | |
| | SC1966 | Hyd. Rotation Kit for SC1964 | \$1,575.00 | | |
| | SC1442 | Hyd. Control Discharge Flap on SC1964 | \$1,523.00 | | |
| Right Hand Chute | | | Std. | | |
| <i>Options R/H Chute</i> | SC1725 | Hydraulic Control RH Chute Flap | \$1,505.00 | | |
| Miscellaneous Options | | | | | |
| Hyd. Flow Control | SC1332 | Drum Speed when no Flow/Control on Tractor | \$963.00 | | |
| Hydraulic Top Link | HTL | Hydraulic Top Link Cat 2/3 - with check valve | Std. \$1,575.00 | | |
| Dust Supression | | | | | |
| Tailgate Mesh | SC2230 | Fine Mesh For Tailgate | \$1,103.00 | | |
| Dust seal kit | SC2254 + SC1996 | Drum/Backplate seal kit, including brush seal | \$1,278.00 | | |
| Liquid Spray Kit | SC2350 + EC1038 | Tank, power lead enclosure, hose and nozzles | \$3,850.00 | | |


PRICED IN CANADIAN DOLLARS

PRICES ARE FOB HARRISTON, ONT. IN CDN DOLLARS – DESIGN & PRICE ARE SUBJECT TO CHANGE WITHOUT NOTICE

Our right of continuous improvement has been implemented without prior notification. It does not constitute that these improvements and changes were applied to end user, retailing dealer or distributor inventory. Product improvements will apply only as production schedules permit. All dimensions are approximate.

Teagle

Tomahawk 5050

| | | | | | |
|--|--------------------|---|----------------------|--|--|
| Description Chop bales of straw or shred silage for feeding or bedding applications. • 5ft. Diameter Round Bales • 4ft. x 4ft. x 8ft Rectangular Bales • Wet & Dry Material • Distance Blown 25ft. @ 540 • Distance Blown >30ft. @ 1000 | | Specifications • 3 Pt. Cat 2 /3 **NEW** • 540 or 1000 RPM • Slip & Overrun Clutch PTO • Single acting Hyd.Drum Drive • PTO req. min. 80hp Std Drum/ 100 hp XL Drum • Weight 2105lbs. • Std Drum Length 5ft. | |  | |
| Additional Information is available on the Teagle website | | | | | |
| Item | Part Number | Description | Price | | |
| Base machine | T5050 | Tomahawk 5050 with 6' drum length in lieu of standard 5' drum, c/w hydraulic top link & left hand lower discharge chute. | \$33,635.00 | | |
| Tomahawk 5050XLM | T5050XL | Tomahawk 5050XL with 9' drum length machine for rectangular bales, c/w hydraulic top link & left hand lower discharge chute. | \$40,688.00 | | |
| PTO Options | | | | | |
| 6 Spline PTO - Standard | PTO8125 | 6 Spline Tractor End | Std. | | |
| 21 Spline PTO - in lieu | PTO8127 | 21 Spline Tractor End In Lieu of 6 Spline | \$0.00 | | |
| 6 Spline WAJ PTO - in lieu | PTO8130 | 6 Spline Tractor End WAJ at Machine end | \$1,505.00 | | |
| Chute Options | | | | | |
| Left Hand Lower Chute | SC1867 | Left Hand Lower Discharge Chute | \$648.00 | | |
| <i>Options Lower Chute</i> | SC1873 | Hose Adaptor (7" Dia.) for SC1867 | \$648.00 | | |
| | SC1871 | 135 deg. Rearward lower chute deflector for SC1867 | \$1,330.00 | | |
| Left Hand Giraffe Chutes | SC1305 | Chute for Silage, Hay & Straw | \$2,013.00 | | |
| | SC1964 | Mechanical Swivel Chute Dry Material | \$2,345.00 | | |
| <i>Options L/H Giraffe Chutes</i> | SC1338 | Hyd. Control Discharge Flap on SC1305 | \$1,523.00 | | |
| | SC1966 | Hyd. Rotation Kit for SC1964 | \$1,575.00 | | |
| | SC1442 | Hyd. Control Discharge Flap on SC1964 | \$1,505.00 | | |
| Right Hand Chute | | | Std. | | |
| <i>Options R/H Chute</i> | SC1339 | Hydraulic Control RH Chute Flap | \$1,523.00 | | |
| Strawberry Chute Kit | SC1876 | Requires Lower Chute Kit SC1867 | \$1,890.00 | | |
| Miscellaneous Options | | | | | |
| Hyd. Flow Control | SC1332 | Drum Speed when no Flow/Control on Tractor | \$963.00 | | |
| Hydraulic Top Link | HTL | Hydraulic Top Link Cat 2/3 - with check valve | Std. 1,575.00 | | |
| Dust Suppression | | | | | |
| Tailgate Mesh | SC2230 | Fine Mesh For Tailgate | \$1,103.00 | | |

PRICED IN CANADIAN DOLLARS

PRICES ARE FOB HARRISTON, ONT. IN CDN DOLLARS – DESIGN & PRICE ARE SUBJECT TO CHANGE WITHOUT NOTICE

Our right of continuous improvement has been implemented without prior notification. It does not constitute that these improvements and changes were applied to end user, retailing dealer or distributor inventory. Product improvements will apply only as production schedules permit. All dimensions are approximate.

| Teagle | | Tomahawk 500B | |
|--|-------------|--|-------------|
| Description Process material outside, distribute inside for increased bio security. The booster fan with on-board hydraulic system (PTO driven) can transfer straw up to 320ft. · 5ft. Diameter Round Bales · 4ft. x 4ft. x 8ft. Rectangular Bales Dry Material Only · Includes radio remote drum control | | Specifications · 3 Pt. Cat 2/3 · 1000 RPM · Slip & Overrun Clutch WAJ PTO · Single acting Hyd.Drum Drive · PTO req. min. 120 hp · Weight 3065lbs. · Weight 3840lbs. (XLM). | |
| Additional Information is available on the Teagle website | | | |
| Item | Part Number | Description | Price |
| 9ft Tomahawk 505BXL | 500BXL | 9ft. Drum Length in Lieu of Standard 5ft. | \$72,503.00 |
| Rotor / Screen Options - See T505M | | | |
| Chute Options | | | |
| Non-supply of RH Chute | | For improved straw containment | \$525.00 |
| PTO Options | | | |
| 6 Spline WAJ PTO | PTO8130 | 6 Spline Tractor End WAJ at Machine end | Std. |
| Miscellaneous Options | | | |
| Hyd. Flow Control | SC1332 | Drum Speed when no Flow/Control on Tractor | Std. |
| Booster Fan Options | | | |
| 127mm Hose Kit x 20m | SC2307 | Complete with male coupler and clips | \$2,275.00 |
| Straw Divertor Valve | SC2336 | Asymmetric diverter valve L/H | \$2,170.00 |
| Straw Divertor Valve | SC2341 | Asymmetric diverter valve R/H | \$2,170.00 |
| Straw Divertor Valve | SC2337 | Symmetric diverter "Y" valve | \$2,450.00 |
| Rearward deflector kit | SC2335 | Deflector for Bauer connector | \$1,418.00 |
| Dust Suppression | | | |
| Tailgate Mesh | SC2230 | Fine Mesh For Tailgate | Std. |
| Dust seal kit | SC2254 | Drum/Backplate seal kit, including brush | Std. |
| Liquid Spray Kit | SC2350 | Tank, power lead enclosure, hose and nozzles for booster fan | \$3,850.00 |




Dust Suppression Spray Kit



Asymmetric Divertor Valve

PRICED IN CANADIAN DOLLARS
PRICES ARE FOB HARRISTON, ONT. IN CDN DOLLARS – DESIGN & PRICE ARE SUBJECT TO CHANGE WITHOUT NOTICE
 Our right of continuous improvement has been implemented without prior notification. It does not constitute that these improvements and changes were applied to end user, retailing dealer or distributor inventory. Product improvements will apply only as production schedules permit. All dimensions are approximate.

Teagle Tomahawk 500FS (Feed Slide)

| | | |
|--|---|--|
| Description See T505M / T5050 with the following benefits: <ul style="list-style-type: none"> Non-stop processing for high output up to 4 tons/hr Straightforward loading and removal of bale net / twine For round bales up to 5ft, or rectangular bales up to 4ft x 4ft x 8ft Feed slide cannot be retrofitted and is not available for T404M / T4040 | Specifications <ul style="list-style-type: none"> Wide Angle PTO Standard 3 Pt. Cat 2 / 3 **NEW** Drum flow control valve Standard Hydraulic control of feed slide angle Tractor 140hp (mounted) Tractor 80hp (trailed option) 3 hydraulic services required Weight : T505FSM 2778lbs / T5050FS 2980lbs |  |
|--|---|--|

Additional Information is available on the Teagle website

| Item | Part Number | Description | Price |
|--|------------------|---|-----------------|
| Base machine T505M | T505FSM | Tomahawk 505M with 1.85m drum and feed slide & hydraulic top link. | \$49,840.00 |
| Base machine T5050 | T5050FS | Tomahawk 5050 with 1.85m drum and feed slide & hydraulic top link | \$48,265.00 |
| <i>Chute Options - See T5050</i> | | | |
| PTO Options | | | |
| 6 Spline WAJ PTO | PTO8130 | 6 Spline Tractor End WAJ at Machine end | Std. |
| 21 Spline WAJ PTO - in lieu | | 21 Spline Tractor End In Lieu of 6 Spline | \$438.00 |
| Chute Options - See T505M / T5050 | | | |
| Non-supply of RH Chute | | For improved straw containment | \$525.00 |
| Miscellaneous Options | | | |
| Hyd. Flow Control | SC1332 | Control drum speed from ground level | Std. |
| Hydraulic Top Link | HTL | Hydraulic Top Link Cat 2/3 - with check valve | Std. \$1,575.00 |
| Dust Suppression | | | |
| Dust seal kit | SC1996 + SC2254 | Drum/Backplate seal kit, including brush | Std. |
| Liquid Spray Kit | SC2350 (+EC1038) | Tank, power lead enclosure, hose and nozzles (Power Lead and Junction Box depending on serial number) | \$3,850.00 |



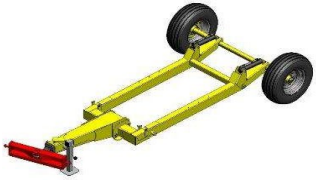
Can be attached to Optional Trailed Chassis

PRICED IN CANADIAN DOLLARS

PRICES ARE FOB HARRISTON, ONT. IN CDN DOLLARS – DESIGN & PRICE ARE SUBJECT TO CHANGE WITHOUT NOTICE

Our right of continuous improvement has been implemented without prior notification. It does not constitute that these improvements and changes were applied to end user, retailing dealer or distributor inventory. Product improvements will apply only as production schedules permit. All dimensions are approximate.

Teagle **Tomahawk Trailed Chassis**

| | | |
|---|--|---|
| <p>Description A trailed chassis to fit all models of Drum Tomahawks. Recommended for smaller tractors or for improved maneuverability.</p> <ul style="list-style-type: none"> · Not for Highway Use · Pivoting axle to set drum angle · Includes extension hydraulic hoses for Drum Tomahawk | <p>Specifications</p> <ul style="list-style-type: none"> · Lower Link Beam as Standard · Ring Hitch included · Check valves in hydraulic rams · 10.5x15 6 Stud Wheels and Tires · Weight 970lbs. · Tractor requires 1 x double acting service for chassis and 1 double acting for Tomahawk. |  |
|---|--|---|

Additional Information is available on the Teagle website

| Item | Part Number | Description | Price |
|-----------------------------|-------------|--|-------------|
| Base machine | RDC | Trailed Chassis for use with drum Machines | \$12,478.00 |
| PTO Options | | | |
| 6 Spline WAJ PTO - in lieu* | PTO8130 | Upgrade the standard PTO to WAJ (at machine end) | \$1,505.00 |
| 6 Spline WAJ PTO - retrofit | PTO8130 | Upgrade the standard PTO to WAJ (at machine end) | \$3,360.00 |



* must be ordered at same time as Drum Tomahawk. Note WAJ PTO standard with T500B.
Image shows T500B on trailed chassis



PRICED IN CANADIAN DOLLARS

PRICES ARE FOB HARRISTON, ONT. IN CDN DOLLARS – DESIGN & PRICE ARE SUBJECT TO CHANGE WITHOUT NOTICE

Our right of continuous improvement has been implemented without prior notification. It does not constitute that these improvements and changes were applied to end user, retailing dealer or distributor inventory. Product improvements will apply only as production schedules permit. All dimensions are approximate.


| Teagle | | Tomahawk 500E (Electric Drive) | |
|---|-----------------|--|-------------|
| Description No tractor required. Convenient operation with stationary machine Fits Tomahawk 500 series models Intuitive electronic controls with load monitoring Sequenced rotor and drum speed Robust subframe for machine and main drive | | Specifications Two rotor motor size options Dust seal kit standard Inverter control system Control cabinet included | |
|  | | | |
| Additional Information is available on the Teagle website | | | |
| Item | Part Number | Description | Price |
| Base machine | T505M | Tomahawk 505M with 1.55m drum - configured for electric | \$31,378.00 |
| Rotor / Screen Options - See T505M - Please specify screen size and Hammer/Blade rotor at time of ordering | | | |
| Dust Supression | | | |
| Dust seal kit | SC1996 + SC2254 | Drum/Backplate seal kit, including brush | Std. |
| Liquid Spray Kit | SC2350 | Tank, power lead enclosure, hose and nozzles (Power Lead and Junction Box depending on serial number) | \$3,850.00 |
| Chute Options - See T505M | | | |
| Motor Options | | | |
| 45kW DC motor | EDS45 | 45kW electric rotor drive motor complete with control cabinet | \$77,980.00 |
| 55kW DC motor | EDS55 | 55kW electric rotor drive motor complete with control cabinet | \$81,515.00 |
| Booster fan Option | | | |
| Booster fan with electric | EDS BOOSTER | Booster fan, 11kW electric Motor, 127mm hose adaptor | \$22,208.00 |
| Feed Conveyor Options | | | |
| First feed conveyor | EDS CONV1 | 3m feed conveyor attached to drum incl. 1.5kW el. motor | \$21,368.00 |
| Additional feed conveyor | EDS CONV2 | 3m feed conveyor attached to prev. conveyor incl. 1.5kW el. motor | \$19,495.00 |
| **MUST COMPLETE QUESTIONNAIRE - CONTACT HARCO AG OR SEE OUR WEBSITE UNDER TEAGLE PRICE LIST FOR A COPY** | | | |
|  | | | |

PRICED IN CANADIAN DOLLARS

PRICES ARE FOB HARRISTON, ONT. IN CDN DOLLARS – DESIGN & PRICE ARE SUBJECT TO CHANGE WITHOUT NOTICE


Our right of continuous improvement has been implemented without prior notification. It does not constitute that these improvements and changes were applied to end user, retailing dealer or distributor inventory. Product improvements will apply only as production schedules permit. All dimensions are approximate.

Teagle Tomahawk C12

| | | |
|---|---|---|
| Description High Capacity bale processor for precision milling of dry materials such as straw for livestock feeding and bedding. · 6.5ft Diameter Round Bales · 4ft. x 4ft x 8ft Rectangular Bales · Suitable for Dry Materials <20% moisture content · Includes 6 quick change screens · Auto Greasing System | Specifications · Trailed Machine with air/ hyd. brakes · Shear Bolt & Overrun Clutch PTO 1000rpm · Clevis Hitch Drawbar · Road Lights · Bluetooth Electric Controls · Homologated to 25 mph · Min PTO 180HP · Weight 9240 lbs. |  |
|---|---|---|

Additional Information is available on the Teagle website

| Item | Part Number | Description | Price |
|--------------|-------------|--|--------------|
| Base machine | C12 | Tomahawk C12 High Capacity Bale Processor (incl. 40 gallons hydraulic oil). Auto Greasing Kit. | \$180,822.00 |

| Rotor Options | | | |
|--|-------------|--|--|
| Screen Sizes | Part Number | Description | Price |
| Six screens supplied with machine - Please specify which sizes are to be supplied at time of machine order - additional screens prices indicated here. | CM2366 | 4-15/16s" 125mm Screen | REFER TO C120 FOR PRICING ON PAGE 38  |
| | CM2072 | 3-15/16ths." 100mm Screen | |
| | CM2073 | 2-15/16ths." 75mm Screen | |
| | CM2074 | 2-3/8ths." 60mm Screen | |
| | CM2079 | 2" 50 mm Screen | |
| | CM2075 | 1-9/16ths" 40mm Screen | |
| | CM2076 | 1-3/16ths." 30mm Screen | |
| | CM2077 | 13/16ths." 20mm Screen | |
| | CM2361 | 1/2" 13mm Screen | |
| | CM2373 | 3/8ths." 10mm Screen | |
| | CM2078 | 5/16th" 8mm Screen | |
| | CM2376 | 1/4" 6mm Screen - For grain milling hopper | |
| | CM2374 | 3/16th" 5mm Screen - For grain milling hopper | |
| | CM2080 | 5/32nd". 4mm Screen - For grain milling hopper | |
| | CM2375 | 1/8th." 3mm Screen - For grain milling hopper | |

| PTO Options | | | |
|-------------------------|---------|---|--|
| 21 Spline PTO - in lieu | PTO8142 | 21 Spline Tractor End In Lieu of 6 Spline | |

| Highway / Trailed Options | | | |
|---------------------------|--------|--|--|
| Road Lights | SC4269 | LED Road Light Kit | |
| Jack | CM2545 | Manual Hydraulic Drawbar Jack | |
| Brake System Air & Hyd. | CM2340 | Combined Optional Brake system, Air & Hydraulic, in lieu of Air Only | |
| C-Type Air Brake Coupling | TB1155 | Standard C-Type Coupling | |
| Palm Type Air Brake | TB1156 | Palm type in-lieu of C-Type | |
| K80 Hitch | SC5018 | K80 Ball Hitch in Lieu of standard ring hitch | |
| Clevis Hitch | SC5051 | Clevis Hitch in Lieu of ring hitch - (not homologated) | |

| Miscellaneous Options | | | |
|--------------------------|-----------------|--|--|
| Conveyor Deflector | CM2143 | Deflector to control discharge of material from conveyor | |
| Oil heater | EC2017 + EC2018 | Hydraulic tank oil heater | |
| Low temperature conveyor | SC2377 | Extend min. operating temperature | |

| | | | |
|------------------------------|--------|---|--|
| Hopper - not including scree | GMH | Hopper for grain milling - capacity 1350lbs (Barley). Does not include screens. Select 2 from the list above. | |
| Hopper Extensions | CM3040 | Increase capacity to 2400lbs. Bucket opening width from 96" to 106". | |



Grain Milling Hopper




NEW : Auto Greasing System as Standard

PRICED IN CANADIAN DOLLARS

PRICES ARE FOB HARRISTON, ONT. IN CDN DOLLARS – DESIGN & PRICE ARE SUBJECT TO CHANGE WITHOUT NOTICE

Our right of continuous improvement has been implemented without prior notification. It does not constitute that these improvements and changes were applied to end user, retailing dealer or distributor inventory. Product improvements will apply only as production schedules permit. All dimensions are approximate.


| Teagle | | Tomahawk C120 | |
|---|--|---|--------------|
| Description High Capacity bale processor for precision milling of dry materials such as straw for livestock feeding and bedding. <ul style="list-style-type: none"> · 6.5ft Diameter Round Bales · 4ft. x 4ft x 8ft Rectangular Bales · Suitable for Dry Materials <20% moisture content · Includes 6 quick change screens · Auto Greasing System | | Specifications <ul style="list-style-type: none"> · Trailed Machine with air/ hyd. brakes · Shear Bolt & Overrun Clutch PTO 1000rpm · Clevis Hitch Drawbar & Jack · Road Lights · Bluetooth Electric Controls · Homologated to 40 kmph · Min PTO 180HP · Weight 12125 lbs. | |
|  | | | |
| Additional Information is available on the Teagle website | | | |
| Item | Part Number | Description | Price |
| Base machine | C120 | Tomahawk C120 High Capacity Bale Processor (incl. 40 gallons hydraulic oil). Auto Greasing Kit. | \$234,500.00 |
| Mill Screen Options - 6 screens included with machine, specify when ordering. | | | |
| Screen Sizes Six screens supplied with machine - Please specify which sizes are to be supplied at time of machine order - additional screens prices indicated here. | CM2365 | 4-15/16s" 125mm Slotted Screen | \$1,033.00 |
| | CM2366 | 4-15/16s" 125mm Screen | \$1,033.00 |
| | CM2072 | 3-15/16ths." 100mm Screen | \$1,033.00 |
| | CM2073 | 2-15/16ths." 75mm Screen | \$1,033.00 |
| | CM2074 | 2-3/8ths." 60mm Screen | \$1,033.00 |
| | CM2079 | 2" 50 mm Screen | \$1,470.00 |
| | CM2075 | 1-9/16ths" 40mm Screen | \$1,470.00 |
| | CM2076 | 1-3/16ths." 30mm Screen | \$1,470.00 |
| | CM2077 | 13/16ths." 20mm Screen | \$1,470.00 |
| | CM2361 | 1/2" 13mm Screen | \$1,715.00 |
| | CM2373 | 3/8ths." 10mm Screen | \$1,715.00 |
| | CM2078 | 5/16th" 8mm Screen | \$1,890.00 |
| | CM2376 | 1/4" 6mm Screen - For grain milling hopper | \$1,890.00 |
| | CM2374 | 3/16th" 5mm Screen - For grain milling hopper | \$1,890.00 |
| | CM2080 | 5/32nd". 4mm Screen - For grain milling hopper | \$1,890.00 |
| | CM2375 | 1/8th" 3mm Screen - For grain milling hopper | \$1,890.00 |
| | CM2378 | 5/32nd" 4mm Slotted Screen - For grain milling hopper | \$1,890.00 |
| CM2379 | 1/8th" 3mm Slotted Screen - For grain milling hopper | \$1,890.00 | |
| Adjustable Bale restraint | | Adjustable bale restraint (bolted) to allow operator to optimise output for different materials. | Std. |
| PTO Options | | | |
| 6 Spline PTO | PTO8140 | 6 Spline Tractor End | Std. |
| 21 Spline PTO - in lieu | PTO8142 | 21 Spline Tractor End In Lieu of 6 Spline | \$490.00 |
| 20 Spline PTO - in lieu | PTO8140 + | 20 Spline Tractor End In Lieu of 6 Spline | \$1,155.00 |
| Highway / Trailed Options | | | |
| Road Lights | SC4269 | LED Road Light Kit | Std. |
| Jack | CM2545 | Hydraulic Drawbar Jack Powered by Tractor Aux. | Std. |
| Brake System Air & Hyd. | CM2340 | Combined Brake system, Air & Hydraulic, | Std. |
| C-Type Air Brake Coupling | TB1155 | Standard C-Type Coupling | Std. |
| Palm Type Air Brake Coupling | TB1156 | Palm type in-lieu of C-Type | \$0.00 |
| K80 Hitch | SC5018 | K80 Ball Hitch in Lieu of standard ring / clevis hitch | \$333.00 |
| Clevis Hitch | SC5051 | Clevis Hitch in Lieu of ring hitch - (not homologated) | Std. |
| Miscellaneous Options | | | |
| Conveyor Deflector | CM2143 | Deflector to control discharge of material from conveyor | \$1,435.00 |
| Oil heater | EC2017 + EC2018 | Hydraulic tank oil heater for 110V | \$1,260.00 |
| Low temperature conveyor | CM3122 +CM3162 | Extend min. operating temperature Below -22deg F (-30deg C) | \$3,745.00 |
| Grain Milling Hopper | | | |
| Hopper - not including screens | GMH120 | Grain Milling Hopper - capacity 85 Bushel. Does not include screens. Select at least 2 from the list above. | \$20,125.00 |
| Non-homologated options - not available UK & EUR | | | |
| Tub - fixed in lieu of folding sides* | CM2321 | Bolted infill panels for the tub - in lieu of folding | -\$1,050.00 |
| Combined Air Hydraulic brakes* | CM2349 | Additional hydraulic lines for braking | \$525.00 |
| Hydraulic brakes only* | CM2342 | Non-supply of air brake kit | -\$700.00 |
| Non-supply of wheels / mudguards | | Steel transport wheels in lieu of wheels/mudguards | -\$1,575.00 |

PRICED IN CANADIAN DOLLARS

PRICES ARE FOB HARRISTON, ONT. IN CDN DOLLARS – DESIGN & PRICE ARE SUBJECT TO CHANGE WITHOUT NOTICE







Our right of continuous improvement has been implemented without prior notification. It does not constitute that these improvements and changes were applied to end user, retailing dealer or distributor inventory. Product improvements will apply only as production schedules permit. All dimensions are approximate.

Teagle TOMAHAWK 6100H

| | | |
|--|---|---|
| Description · Spread bales of straw using a Telehandler / Tractor · Hydraulic Folding Bale Clamp Opt. · Stop / Start Fan Control · Max. 5' Diameter Round Bales · Half a 4' x 4' x 8' Rectangular Bale · Suitable for Straw and dry materials · Max. Spreading distance 40' · NO PTO REQUIRED! | Specifications · Minimum handler capacity 1.4 tons · Minimum handler oil flow 40 I/min (10.5 gal/min). Improve performance at 50I/min (13.2gal/min) · Minimum handler oil pressure 160 bar (2320psi) · Bluetooth Electric Controls · Weight without brackets : 1713/1892 lbs without/with bale clamp. |  |
|--|---|---|



Additional Information is available on the Teagle website

| Item | Part Number | Description | Price |
|-----------------------------------|--------------------------|---|-------------|
| Base machine | T6100H **NEW** | Tomahawk 6100H - Hydraulic drive straw spreader | \$37,048.00 |
| Hydraulic Bale Clamp | SC6540 | Bale Clamp in lieu of chain to retain bale (WiFi control) | \$2,625.00 |
| Skidsteer Mounting Bracket | | | |
| Skidsteer Bracket | SC6220 | Skidsteer KIT including mounting brackets | \$1,663.00 |
| Tractor Mounting Bracket | | | |
| Tractor Bracket | SC6215 | Category 2/3 Bracket for Tractor | \$2,100.00 |
| Hydraulic Top Link | HTL | Hydraulic Top Link Cat 2/3 - with check valve | \$1,575.00 |
| Handler Mounting Brackets | | | |
| See T6200 Specifications | | | |
| Miscellaneous Options | | | |
| Side Extensions | SC6550 | For extra capacity | \$1,050.00 |
| Hvd. Oil Filter | SC6565 | In Line Hydraulic Pressure Filter | Std. |

| | |
|--|---|
| <p>Tractor Front Loader</p>  <p>Tractor-Front Loader or 3 Point Hitch</p>  <p>Skidsteer</p>  | <p>Bale Clamp</p>  <p>Side Extensions</p>  <p>Brackets</p>  |
|--|---|

A 3/4" freeflow return fitted to the handler using flat face fittings is recommended for best performance. These items are not available from Teagle and are dealer fit.

PRICED IN CANADIAN DOLLARS
PRICES ARE FOB HARRISTON, ONT. IN CDN DOLLARS – DESIGN & PRICE ARE SUBJECT TO CHANGE WITHOUT NOTICE
 Our right of continuous improvement has been implemented without prior notification. It does not constitute that these improvements and changes were applied to end user, retailing dealer or distributor inventory. Product improvements will apply only as production schedules permit. All dimensions are approximate.


| Teagle | | TOMAHAWK 6200H | |
|---|-------------|---|-------------|
| Description · Spread bales of straw using a Telehandler / Tractor · Upgraded crossbeater driveline · Hydraulic Folding Loading Gate Std. · Stop / Start Fan Control · Max. 5 ft. Diameter Round Bales · 4 ft x 4 ft x 8 ft Rectangular Bales · Suitable for Straw and dry materials · Max. Spreading distance 44 ft. · NO PTO REQUIRED! | | Specifications · Minimum handler capacity 2.8 tons · Minimum handler oil flow 60 I/min (13.3 gal/min) · Minimum handler oil pressure 160 bar (2320psi) · Bluetooth Electric Controls · Weight 3219 lbs (without brackets) | |
|  | | | |
| Additional Information is available on the Teagle website | | | |
| Item | Part Number | Description | Price |
| Base machine | T6200H | Tomahawk 6200H - Hydraulic drive straw spreader | \$53,638.00 |
| Tractor Mounting Bracket | | | |
| Tractor Bracket | SC6215 | Category 2/3 Bracket for Tractor | \$2,100.00 |
| Handler Mounting Brackets | | | |
| Please verify brackets with Teagle before ordering. Engineering drawings available for reference. | SC6001 | JCB Q fit | \$1,470.00 |
| | SC6005 | Merlo ZM2 P26/27/30 | |
| | SC6010 | JCB / / Matbro / John Deere Pin and Cone | |
| | SC6015 | Manitou | |
| | SC6020 | New Holland | |
| | SC6025 | Claas Scorpion (Dark Grey), also Kramer Telescopic | |
| | SC6030 | Caterpillar Telescopic after Sept 2000 TH337C/226C | |
| | SC6035 | Claas Scorpion (Light Grey Older Models) | |
| | SC6040 | JCB Tool Carrier | |
| | SC6045 | JCB Compact Toolcarrier | |
| | SC6050 | Dieci | |
| | SC6055 | Kramer older models 380, 412, 516, 520, 620, 712 | |
| | SC6060 | Volvo | |
| | SC6065 | Bobcat / Massey 8925, 8926 | |
| | SC6070 | Euro 8 | |
| | SC6090 | Merlo ZM3 | |
| SC6095 | Terex | | |
| SC6200 | Weideman | | |
| SC6210 | Atlas | | |
| SC6220 | Skidsteer | | |
| Highway / Trailed Options | | | |
| Road Lights | SC6275 | LED Road Light Kit incl. number plate bracket and light + EC1123 | \$1,225.00 |
| Miscellaneous Options | | | |
| Tailgate Switch | SC6276 | In lieu of hydraulic loading gate - specify at time of ordering | \$875.00 |
| Crossbeater Hooks / Blades | N/A | Specify hooks / blades (SC1100) at time of ordering. | \$0.00 |
| Hyd. Oil Filter | SC6153 | In Line Hydraulic Pressure Filter | \$1,173.00 |
| Hydraulic Flow Divider and Oil Filter (combined) | SC6157 | Req. for Hyd oil flows over 120 I/min (26.6 gal/min) / 270 bar 3915psi @ 80 ° (176 °F) | \$1,873.00 |
| Ski Jump Chute Kit - Hydraulic Control | SC6277 | For SC models to deliver straw into calf hutches and pig arcs or under trees. Includes extended yellow beak. Includes hydraulic control of chute angle (separate hydraulic service required). | \$2,275.00 |
| A 3/4" freeflow return must be fitted to the handler using flat face fittings. These items are not available from Teagle and are Dealer Fit. | | | |
|  | | | |

PRICED IN CANADIAN DOLLARS

PRICES ARE FOB HARRISTON, ONT. IN CDN DOLLARS – DESIGN & PRICE ARE SUBJECT TO CHANGE WITHOUT NOTICE

Our right of continuous improvement has been implemented without prior notification. It does not constitute that these improvements and changes were applied to end user, retailing dealer or distributor inventory. Product improvements will apply only as production schedules permit. All dimensions are approximate.

Teagle Tomahawk 8200

| | | |
|---|--|---|
| Description Spread bales of straw for bedding or shred silage for feeding applications. · 6ft. 6inch Diameter Round Bales · 4ft x 4ft x 8ft Rectangular Bales · Suitable for Straw, Hay and Silage · Max. Spreading distance >65ft | Specifications · Mounted or Trailed · Slip & Overrun Clutch PTO · Rear Tailgate Switch · Bluetooth Electric Controls · 2 speed Gearbox - 540 RPM PTO · PTO req. min. 60hp/45kW Trailer PTO req. min. 140hp Mounted · Weight > 4600 lbs. · Standard wheels 10.0/75-15 |  (also available in trailed format) |
|---|--|---|

Additional Information is available on the Teagle website

| Item | Part Number | Description | Price |
|----------------------------------|-------------|--|--------------------|
| Base machine | T8200M | T8200 Swivel Chute - fixed bale restraint - 3 point mounted | \$57,770.00 |
| | T8200T | T8200 Swivel chute - fixed bale restraint - Trailed (unbraked) | \$62,146.00 |
| | T8200SM | T8200 Swivel Chute - SYNCHRO Control - 3 point mounted | \$60,654.00 |
| | T8200ST | T8200 Swivel chute - SYNCHRO Control - Trailed (unbraked) | \$65,030.00 |
| PTO Options | | | |
| 6 Spline WAJ PTO - in | PTO8085 | 6 Spline Tractor End, WAJ at Machine end | \$1,400.00 |
| Highway / Trailed Options | | | |
| Road Lights | SC7120 | Optional for Mounted LED Road Light Kit with EC1123 Standard Equipment with Trailed Machine with EC1123 | \$1,225.00 Std. |
| Jack | SC7147 | Drawbar Jack | Std. |
| Clevis Hitch | SC5051 | Clevis Hitch in Lieu of Standard Ring Hitch | Std. |
| Crossbeater Options | | | |
| Extra Blade Kit | SC3768 | For Standard Staw / Silage Crossbeater (Additional 48 blades) | \$543.00 |
| Hook Ripper Kit | SC7138 | Increased Feed Rate Less chopping Standard Straw/ Silage Crossbeater | \$350.00 |
| Miscellaneous Options | | | |
| Hyd. Oil Filter | SC7145 | In Line Hydraulic Pressure Filter | Std. |
| Automatic Chain Oiler | SC7140 | Automatically lubricates crossbeater drive chain | \$1,523.00 |
| Ski Jump Chute Kit | SC7205 | For SC models to deliver straw into calf hutches and pig arcs or under trees. Includes extended yellow beak. | \$2,275.00 |
| Dust Supression Kit | SC7150 | High Pressure water spray to reduce dust | \$3,850.00 |

SYNCHRO : Our latest development!
 Adjust processing speed with adjustable bale restraint Start/Stop operation
 Linked bed speed / bale restraint position




PRICED IN CANADIAN DOLLARS

PRICES ARE FOB HARRISTON, ONT. IN CDN DOLLARS – DESIGN & PRICE ARE SUBJECT TO CHANGE WITHOUT NOTICE

Our right of continuous improvement has been implemented without prior notification. It does not constitute that these improvements and changes were applied to end user, retailing dealer or distributor inventory. Product improvements will apply only as production schedules permit. All dimensions are approximate.

Teagle Tomahawk 8250 Dual Chop

| | | |
|---|--|---|
| Description Spread bales of straw for bedding or shred silage for feeding applications. · 6ft. 6inch Diameter Round Bales · 4ft x 4ft x 8ft Rectangular Bales · Suitable for Straw & dry material only · Max. Spreading distance >65ft | Specifications · Mounted or Trailed · Slip & Overrun Clutch PTO · Rear Tailgate Switch · Bluetooth Electric Controls · 2 speed Gearbox - 540 RPM PTO · PTO req. min. 80 hp Trailed PTO req. min 150 hp Mounted · Weight > 4600 lbs. · Standard wheels 10.0/75-15 |  <p>(also available in trailed format)</p> |
|---|--|---|

Additional Information is available on the Teagle website

| Item | Part Number | Description | Price |
|----------------------------------|-------------|--|--------------------|
| Base machine | T8250SM | T8250 Swivel Chute - 3 point mounted | \$66,458.00 |
| | T8250ST | T8250 Swivel chute - Trailed (unbraked) | \$78,106.00 |
| PTO Options | | | |
| 6 Spline WAJ PTO - in | PTO8085 | 6 Spline Tractor End, WAJ at Machine end | \$1,400.00 |
| Highway / Trailed Options | | | |
| Road Lights | SC7120 | Optional for Mounted LED Road Light Kit with EC1123 Standard Equipment with Trailed Machine with EC1123 | \$1,225.00 Std. |
| Jack | SC7147 | Drawbar Jack | Std. |
| Clevis Hitch | SC5051 | Clevis Hitch in Lieu of Standard Ring Hitch | Std. |
| Miscellaneous Options | | | |
| Hyd. Oil Filter | SC7145 | In Line Hydraulic Pressure Filter | Std. |
| Automatic Chain Oiler | SC7140 | Automatically lubricates crossbeater drive chain | Std. |
| Ski Jump Chute Kit | SC7205 | For SC models to deliver straw into calf hutches and pig arcs or under | \$2,275.00 |
| Dust Suppression Kit | SC7150 | High Pressure water spray to reduce dust | \$3,850.00 |


SYNCHRO : Our latest development!
 Adjust processing speed with adjustable bale restraint Start/Stop operation
 Linked bed speed / bale restraint position



PRICED IN CANADIAN DOLLARS

PRICES ARE FOB HARRISTON, ONT. IN CDN DOLLARS – DESIGN & PRICE ARE SUBJECT TO CHANGE WITHOUT NOTICE
 Our right of continuous improvement has been implemented without prior notification. It does not constitute that these improvements and changes were applied to end user, retailing dealer or distributor inventory. Product improvements will apply only as production schedules permit. All dimensions are approximate.

Teagle Tomahawk 8500 CHIEF

| | | |
|---|--|---|
| Description Spread bales of straw for bedding or shred silage for feeding applications. Wide body for easier loading and greater performance <ul style="list-style-type: none"> · 6ft. Diameter x 5ft width Round Bales · 4ft. x 4ft. x 8ft Rectangular Bales · Suitable for Straw, Hay and Silage · Max. Spreading distance 80ft. · Wear Resistant Steel Fan Housing | Specifications <ul style="list-style-type: none"> · Trailed Machine · Slip & Overrun Clutch PTO · Rear Tailgate Switch · Bluetooth Electric Controls · 2 speed Gearbox - 540 RPM PTO · PTO req. min. 80hp · Weight 4586 / 4970lbs. · Standard wheels 12.5/75-15 |  <p>8500 CHIEF <small>BY HARDOX</small></p> <p>HARDOX <small>STEEL PLATE</small></p> |
|---|--|---|

Additional Information is available on the Teagle website

| Item | Part Number | Description | Price |
|--------------|---------------|---|-------------|
| Base machine | T8500 CHIEF | T8500 Side chute incl. lights/mudguards/extension sides/12.5 wheels | \$66,766.00 |
| | T8500SC CHIEF | T8500SC Swivel chute incl. lights/mudguards/extension sides/12.5 wheels | \$67,939.00 |

| | | | |
|-----------------------|---------|--|------------|
| PTO Options | | | |
| 6 Spline WAJ PTO - in | PTO8085 | 6 Spline Tractor End, WAJ at Machine end | \$1,383.00 |

| | | | |
|----------------------------------|--------|--|------|
| Highway / Trailed Options | | | |
| Road Lights | SC4270 | LED Road Light Kit + EC1123 | Std. |
| Wheels | WE1121 | Tires and Rims 12.5/75 -15in . | Std. |
| Jack | SC4069 | Drawbar Jack | Std. |
| Clevis Hitch | SC5051 | Clevis Hitch and Jack in Lieu of Standard Ring Hitch | Std. |

| | | | |
|----------------------------|--------|---|----------|
| Crossbeater Options | | | |
| Extra Blade Kit | SC3768 | For Standard Straw / Silage Crossbeater (Additional 48 blades) | \$543.00 |
| Hook Ripper Kit | SC4218 | Increased Feed Rate Less chopping Standard Straw/ Silage Crossbeater Only | \$333.00 |
| Hardox Tips | SC4702 | Crossbeater wear Tips - trianqular between knife rings | \$473.00 |

| | | | |
|--|--------|--|------------|
| Miscellaneous Options | | | |
| Dust Sppression Kit | SC5410 | 5 Nozzle Water Spray Kit, 13 USG Capacity | \$3,745.00 |
| Hyd. Oil Filter | SC4309 | In Line Hydraulic Pressure Filter | Std. |
| Automatic Chain Oiler | SC5340 | Automatically lubricates crossbeater drive chain | \$1,488.00 |
| Side Extensions | SC4594 | Increase bale chamber capacity | Std. |
| Tailgate Extension | SC4710 | Extension for Increased Length +24" | \$1,348.00 |
| Power Fly Lead | SC3598 | Power Fly Lead with Female Socket | Std. |
| Rear Tailgate Switch | SC5241 | Tailgate and Bed Control at Ground Level | Std. |
| Ski Jump Chute Kit - Hydraulic Control | SC5064 | For SC models to deliver straw into calf hutches and pig arcs or under trees. Includes extended yellow beak. | \$2,275.00 |

PRICED IN CANADIAN DOLLARS


PRICES ARE FOB HARRISTON, ONT. IN CDN DOLLARS – DESIGN & PRICE ARE SUBJECT TO CHANGE WITHOUT NOTICE

Our right of continuous improvement has been implemented without prior notification. It does not constitute that these improvements and changes were applied to end user, retailing dealer or distributor inventory. Product improvements will apply only as production schedules permit. All dimensions are approximate.

5808 Hwy #9, Harriston, Ontario, N0G 1Z0
Phone: 519-338-2923, Fax: 519-338-2756
Email: sales@harcoag.ca, www.harcoag.ca

Teagle

Tomahawk 8555 CHIEF Dual Chop

| | | |
|--|--|--|
| <p>Description Spread straw long or chop it short at the touch of a button. Suitable for cubicle bedding, TMR processing or bedding loose housing. Removable screen now allows wet materials to be processed.</p> <ul style="list-style-type: none"> · 6ft. Diameter x 5ft width Round Bales · 4ft. x 4ft. x 8ft Rectangular Bales · Suitable for Straw, Hay and Silage · Max. Spreading distance 80ft. · Wear Resistant Steel Fan Housing | <p>Specifications</p> <ul style="list-style-type: none"> · Trailed Machine · Slip & Overrun Clutch PTO · Rear Tailgate Switch · Bluetooth Electric Controls · 2 speed Gearbox - 540 RPM PTO · PTO req. min. 80hp · Weight 5340lbs. · Standard wheels 12.5/75-15 |  <p>8555 Dual Chop</p> <p>OIL Automatic crossbeater chain lubrication system</p> <p>HARDOX WEARPLATE</p> |
|--|--|--|

Additional Information is available on the Teagle website

| Item | Part Number | Description | Price |
|--|-------------|---|-------------|
| Base Machine | T8555 CHIEF | T8555SC Dual Chop Swivel chute incl. lights/mudguards/extension sides/chain oiler/12.5 wheels | \$82,639.00 |
| Chopping System Options | | | |
| 40mm Screen | SC5312 | Standard specification 40mm screen supplied with 8555 | Std. |
| 50mm Screen | SC5310 | Optional 50mm screen In lieu of std. 40mm screen | \$0.00 |
| Additional screen | | Select both 40mm and 50mm screens | \$1,190.00 |
| Bypass screen | SC5314 | Blanking screen required to process wet materials | \$840.00 |
| Storage rack | SC5359 | Screen rack (to store one screen under the machine) | \$840.00 |
| 402 | | | |
| 6 Spline WAJ PTO - in | PTO8085 | 6 Spline Tractor End, WAJ at Machine end | \$1,383.00 |
| Highway / Trailed Options | | | |
| Road Lights | SC4270 | LED Road Light Kit + EC1123 | Std. |
| Wheels | WE1121 | Tires and Rims 12.5/75 -15in . | Std. |
| Jack | SC4069 | Drawbar Jack | Std. |
| Clevis Hitch | SC5051 | Clevis Hitch and Jack in Lieu of Standard Ring Hitch | Std. |
| Miscellaneous Options | | | |
| Dust Sppression Kit | SC5410 | 5 Nozzle Water Spray Kit, 13 USG Capacity | \$3,745.00 |
| Hyd. Oil Filter | SC4309 | In Line Hydraulic Pressure Filter | Std. |
| Automatic Chain Oiler | SC5340 | Automatically lubricates crossbeater drive chain | Std. |
| Side Extensions | SC4594 | Increase bale chamber capacity | Std. |
| Tailgate Extension | SC4710 | Extension for Increased Length +24" | \$648.00 |
| Power Flv Lead | SC3598 | Power Flv Lead with Female Socket | Std. |
| Rear Tailgate Switch | SC5241 | Tailgate and Bed Control at Ground Level | Std. |
| Ski Jump Chute Kit - Hydraulic Control | SC5064 | Material Delivery into Hutches. Inc Yellow Beak | \$2,275.00 |

PRICED IN CANADIAN DOLLARS

PRICES ARE FOB HARRISTON, ONT. IN CDN DOLLARS – DESIGN & PRICE ARE SUBJECT TO CHANGE WITHOUT NOTICE

Our right of continuous improvement has been implemented without prior notification. It does not constitute that these improvements and changes were applied to end user, retailing dealer or distributor inventory. Product improvements will apply only as production schedules permit. All dimensions are approximate.

Teagle **Tomahawk 9500**

Description
Spread bales of straw for bedding or shred silage for feeding applications.
Wide body for easier loading with twin crossbeaters for greater performance.
· 6ft. Diameter x 5ft width Round Bales
· 4ft. x 4ft. x 8ft Rectangular Bales
· Suitable for **Straw, Hay and Silage**
· Max. Spreading distance 80ft.
· Wear Resistant Steel Fan Housing

- Specifications**
- Trailed Machine
 - Slip & Overrun Clutch PTO
 - Rear Tailgate Switch
 - Bluetooth Electric Controls
 - 2 speed Gearbox - 540 RPM PTO
 - PTO req. min. 90hp
 - Weight 6650lbs.
 - Standard wheels 305/55 R22



Additional Information is available on the Teagle website

| Item | Part Number | Description | Price |
|--------------|-------------|---|-------------|
| Base machine | T9500 | T9500 Side chute incl. lights/mudguards | \$82,520.00 |
| | T9500SC | T9500SC Swivel chute incl. lights/mudguards | \$83,692.00 |

| PTO Options | | | |
|--------------------|---------|--|------------|
| 6 Spline WAJ PTO - | PTO8085 | 6 Spline Tractor End. WAJ at Machine end | \$1,400.00 |

| Highway / Trailed Options | | | |
|---------------------------|--------|--|------|
| Road Lights | SC5219 | LED Road Light Kit + FC1123 | Std. |
| Jack | SC4069 | Drawbar Jack | Std. |
| Clevis Hitch | SC5051 | Clevis Hitch and Jack in Lieu of Standard Ring Hitch | Std. |

| Crossbeater Options | | | |
|---------------------|------------|--|----------|
| Hardox Tips | SC4702 x 2 | Crossbeater wear Tips - triangular between knife rings | \$945.00 |

| Miscellaneous Options | | | |
|------------------------------|--------|---|------------|
| Dust Sppression Kit | SC5410 | 5 Nozzle Water Spray Kit, 13 USG Capacity | \$3,745.00 |
| Hyd. Oil Filter | SC4309 | In Line Hydraulic Pressure Filter | Std. |
| Automatic Chain Oiler | SC5365 | Automatically lubricates crossbeater drive chains | \$2,013.00 |
| Swivel Chute Ext. | SC7029 | Swivel Chute Lift Extension +12" supplied loose | \$998.00 |
| Side Extensions | SC5261 | For extended capacity | \$1,173.00 |
| Tailgate Extension | SC4710 | Extension for Increased Length +24" | \$998.00 |
| Power Fly Lead | SC3598 | Power Fly Lead with Female Socket | Std. |
| Rear Tailgate Switch | SC5241 | Tailgate and Bed Control at Ground Level | Std. |
| Swivel Chute, Ski Jump Chute | SC5064 | Material Delivery into Hutches. Inc Yellow Beak | \$2,275.00 |

9500 / 1010 Updated hinged hood




PRICED IN CANADIAN DOLLARS

PRICES ARE FOB HARRISTON, ONT. IN CDN DOLLARS – DESIGN & PRICE ARE SUBJECT TO CHANGE WITHOUT NOTICE

Our right of continuous improvement has been implemented without prior notification. It does not constitute that these improvements and changes were applied to end user, retailing dealer or distributor inventory. Product improvements will apply only as production schedules permit. All dimensions are approximate.

Teagle

Tomahawk 1010

| | | |
|--|---|--|
| Description Spread bales of straw for bedding or shred silage for feeding applications. Wide body for easier loading with twin crossbeaters for greater performance. • 5ft x 6ft Diameter Round Bales • 4ft. x 4ft. x 8ft Rectangular Bales • Suitable for Straw, Hay and Silage • Max. Spreading distance 80' • Wear Resistant Steel Fan Housing | Specifications • Trailed Machine with Hyd. Brakes • Slip & Overrun Clutch P.T.O. • Rear Tailgate Switch • Bluetooth Electric Controls • 2 speed Gearbox - 540 RPM PTO • PTO req. min. 90hp • Weight 7826 / 7915 lbs. • Standard wheels 385/55R22.5 |  |
|--|---|--|

Additional Information is available on the Teagle website

| Item | Part Number | Description | Price |
|--------------|-------------|---|-------------|
| Base machine | T1010 | T1010 Side chute incl. lights/brakes/mudguards/oil filter | \$98,602.00 |
| | T1010SC | T1010SC Swivel chute incl. lights/mudguards/oil filter | \$99,775.00 |

| | | | |
|--------------------|---------|--|------------|
| 6 Spline WAJ PTO - | PTO8085 | 6 Spline Tractor End. WAJ at Machine end | \$1,400.00 |
|--------------------|---------|--|------------|

Highway / Trailed Options

| | | | |
|--------------|--------|---|------|
| Road Lights | SC5270 | LED Road Light Kit + FC1123 | Std. |
| Jack | SC4069 | Drawbar Jack | Std. |
| Clevis Hitch | SC5051 | Clevis Hitch in Lieu of Standard Ring Hitch | Std. |

Crossbeater Options

| | | | |
|-------------|------------|--|----------|
| Hardox Tips | SC4702 x 2 | Crossbeater wear Tips - triangular between knife rings | \$945.00 |
|-------------|------------|--|----------|

Miscellaneous Options

| | | | |
|--|--------|---|------------|
| Bale Lift Plates | SC4902 | Hyd. Cylinders & Mounting with Bale Lift Plates - Control box | \$7,508.00 |
| Dust Spression Kit | SC5410 | 5 Nozzle Water Spray Kit, 13 USG Capacity | \$3,745.00 |
| Power Fly Lead | SC3598 | Power Fly Lead with Female Socket | Std. |
| Hyd. Oil Filter | SC4309 | In Line Hydraulic Pressure Filter | Std. |
| Rear Tailgate Switch | SC5241 | Tailgate and Bed Control at Ground Level | Std. |
| Automatic Chain | SC5365 | Automatically lubricates crossbeater drive chains | \$2,013.00 |
| Swivel Chute Ext. | SC7029 | Swivel Chute Lift Extension +12" supplied loose | \$998.00 |
| Side Extensions | SC4728 | For extended capacity | \$1,278.00 |
| Ski Jump Chute Kit - Hydraulic Control | SC5064 | Material Delivery into Hutches. Inc Yellow Beak | \$2,275.00 |



Hydraulic Bale Lift Plates SC4902




PRICED IN CANADIAN DOLLARS

PRICES ARE FOB HARRISTON, ONT. IN CDN DOLLARS – DESIGN & PRICE ARE SUBJECT TO CHANGE WITHOUT NOTICE

Our right of continuous improvement has been implemented without prior notification. It does not constitute that these improvements and changes were applied to end user, retailing dealer or distributor inventory. Product improvements will apply only as production schedules permit. All dimensions are approximate.

Teagle **Spiromix 200H**

| | | |
|--|--|---|
| <p>Description</p> <ul style="list-style-type: none"> · A robust steel drum with auger flight offers unparalleled mixing action. Low Level Fill Height, and simple unloading by reversing drum rotation. · 110lbs of Cement 6:1 Mix · Min Tractor Size 50 HP · Hydraulic Drum Rotation controlled from tractor · Low maintenance drive · Parking Stands | <p>Specifications</p> <ul style="list-style-type: none"> · 3 point hitch, category 1/2 · Drum volume 20cu.ft. · Approx. Mix Volume 10cu.ft. · Loading Height to drum lip 22" · Empty weight 420lbs · Laden weight 1790lbs · Drum Diameter 32" · Drum Length 43" |  |
|--|--|---|

Additional Information is available on the Teagle website

| Item | Part Number | Description | Price |
|--------------|-------------|-------------------------|------------|
| Base machine | SPIRO200H | Spiromix Concrete Mixer | \$6,003.00 |




PRICED IN CANADIAN DOLLARS

PRICES ARE FOB HARRISTON, ONT. IN CDN DOLLARS – DESIGN & PRICE ARE SUBJECT TO CHANGE WITHOUT NOTICE

Our right of continuous improvement has been implemented without prior notification. It does not constitute that these improvements and changes were applied to end user, retailing dealer or distributor inventory. Product improvements will apply only as production schedules permit. All dimensions are approximate.

Teagle **XT20**

| | | |
|--|---|---|
| <p>Description</p> <p>Straightforward spreading up to 40ft. from a single disc spreader.</p> <p>Professional finish - Powder coated with stainless steel spreading components.</p> <p>Straightforward setup - simple rate and pattern adjustment.</p> <p>Easy to clean - removable flexible plastic hopper.</p> | <p>Specifications</p> <ul style="list-style-type: none"> · Bout Width : Up to 40ft. · Capacity : 23.5cu.ft · 3 point hitch, category 1/2 · S/S Hopper Sieve Standard · Loading Height 46" · Empty weight 265lbs. |  |
|--|---|---|

Additional Information is available on the Teagle website

| Item | Part Number | Description | Price |
|--------------|-------------|---------------------------------|------------|
| Base machine | XT20 | Single Disc Fertilizer Spreader | \$5,436.00 |

Skid Steer Options


| | | | |
|----------------|--------|----------------------------------|----------|
| Remote shutter | MB2923 | Hydraulic Remote Shutter Control | \$928.00 |
| Hopper Cover | MB2924 | Hopper Cover | \$648.00 |

| | | | |
|--|--|--|--|
| | | | |
|--|--|--|--|

PRICED IN CANADIAN DOLLARS

PRICES ARE FOB HARRISTON, ONT. IN CDN DOLLARS – DESIGN & PRICE ARE SUBJECT TO CHANGE WITHOUT NOTICE

Our right of continuous improvement has been implemented without prior notification. It does not constitute that these improvements and changes were applied to end user, retailing dealer or distributor inventory. Product improvements will apply only as production schedules permit. All dimensions are approximate.

| Teagle | | | XT24 & XT48 |
|---|---|--|------------------------|
| <p>Description Straightforward spreading up to 40ft. with a reliable quadruple overlap spread pattern. Tilt boundary spreading system. Professional finish - Powder coated with stainless steel spreading components and tractor guard **NEW** Straightforward setup - simple rate and pattern adjustment</p> | <p>Specifications</p> <ul style="list-style-type: none"> · Bout Width : Up to 40ft. · 3 point hitch, category 1/2 · S/S Hopper Sieve Standard · Capacity XT24 : 1400lbs. · Capacity XT48 : 2950lbs. · Empty weight XT24 : 408lbs. · Empty weight XT48 : 597lbs. |  | |
| Additional Information is available on the Teagle website | | | |
| Item | Part Number | Description | Price |
| Base machine | XT24 | Twin Disc Fertilizer Spreader with hydraulic shutter control and hopper sieve :1400lbs | \$8,439.00 |
| Base machine | XT24B | As above but with Band Spreading kit fitted | \$8,439.00 |
| Options | | | |
| Hydraulic Tilt Kit | MB3019 | Hydraulic ram to control tilt from tractor cab | \$718.00 |
| Hopper Cover | MB3016 | Canvas Hopper Cover | \$613.00 |
| Band Spreading Kit Unfitted | MB2264 | Enables user to switch from standard to band spreading | \$385.00 |
| Item | Part Number | Description | Price |
| Base machine | XT48 | Twin Disc Fertilizer Spreader with hydraulic shutter control and hopper sieve : 2950lbs. | \$11,253.00 |
| Base machine | XT48B | As above but with Band Spreading kit fitted | \$11,253.00 |
| Options | | | |
| Hydraulic Tilt Kit | MB3124 | Hydraulic ram to control tilt from tractor cab | \$945.00 |
| Hopper Cover | MB3125 | Canvas Hopper Cover | \$735.00 |
| Band Spreading Kit Unfitted | MB2264 | Enables user to switch from standard to band spreading | \$385.00 |


PRICED IN CANADIAN DOLLARS

PRICES ARE FOB HARRISTON, ONT. IN CDN DOLLARS – DESIGN & PRICE ARE SUBJECT TO CHANGE WITHOUT NOTICE

Our right of continuous improvement has been implemented without prior notification. It does not constitute that these improvements and changes were applied to end user, retailing dealer or distributor inventory. Product improvements will apply only as production schedules permit. All dimensions are approximate.

Teagle

Superted 221

| | | |
|---|--|---|
| <p>Description A robust high speed swath conditioner to introduce air to a swath, reducing drying times and preserving crop condition.</p> <ul style="list-style-type: none"> · 7'3" Pickup Width / 9'6 Overall Width · Castor Wheels 6.00/9 V50 | <p>Specifications</p> <ul style="list-style-type: none"> · 3 point hitch, category 2 · 540 rpm PTO · Belt Drive Rotor · Min Tractor Size 60 HP · Weight 1540lbs. |  |
|---|--|---|

Additional Information is available on the Teagle website


| Item | Part Number | Description | Price |
|--------------|-------------|---------------------------------------|-------------|
| Base machine | TED221 | Superted High Speed Swath Conditioner | \$20,227.00 |

PRICED IN CANADIAN DOLLARS

PRICES ARE FOB HARRISTON, ONT. IN CDN DOLLARS – DESIGN & PRICE ARE SUBJECT TO CHANGE WITHOUT NOTICE

Our right of continuous improvement has been implemented without prior notification. It does not constitute that these improvements and changes were applied to end user, retailing dealer or distributor inventory. Product improvements will apply only as production schedules permit. All dimensions are approximate.

Teagle Titan 6/8/9

| | | |
|--|---|---|
| Description The TITAN range is well proportioned, ensuring excellent stability, maneuverability, visibility of the load, and superior ground clearance. · Titan 6: 215ft ³ Capacity · Titan 8: 280ft ³ Capacity · Titan 9: 320ft ³ Capacity Dual Vertical beaters for a fine spread pattern | Specifications · WAJ PTO as standard 540 rpm · Cam and Overrun Clutch PTO · Hyd. Braked Axle · Slurry Gate · Min PTO 80/90/100HP · Weight: 7452/8069/8554lbs. |  |
|--|---|---|

Additional Information is available on the Teagle website

| Item | Part Number | Description | Price |
|--------------|-------------|---|-------------|
| Base machine | TN6 | Titan 6 with rigid drawbar and ring hitch | \$80,850.00 |
| | TN8 | Titan 8 with rigid drawbar and ring hitch | \$83,423.00 |
| | TN9 | Titan 9 with rigid drawbar and ring hitch | \$84,711.00 |

| Wheel Options | | | |
|-----------------|--------|----------------------|-------|
| TN6 | WE1302 | 18.4-34 (1645 x 467) | Std. |
| TN8 | WE1302 | 18.4-34 (1645 x 467) | Std. |
| TN9 | WE1302 | 18.4-34 (1645 x 467) | Std. |
| Oversize Wheels | | | P.O.A |

| Extension sides | | | |
|-----------------|--------|---|------------|
| TN6 | RS4210 | Increases capacity of Titan 6 to 263ft ³ | \$1,540.00 |
| TN8 | RS5130 | Increases capacity of Titan 8 to 345ft ³ | \$1,680.00 |
| TN9 | RS5130 | Increases capacity of Titan 9 to 387ft ³ | \$1,680.00 |

| Miscellaneous Options | | | |
|-----------------------|--------|---|------------|
| Compost beater tips | RS3079 | Beater tips to improve performance with friable | \$1,365.00 |
| Electric bed speed | RS4590 | In Cab, Bed Chain Speed Controller | \$2,608.00 |
| Hydraulic Jack | RS4270 | Drawbar Jack | \$2,660.00 |
| Flashing Beacon | RS4631 | Strobe for Highway use | \$420.00 |


PRICED IN CANADIAN DOLLARS

PRICES ARE FOB HARRISTON, ONT. IN CDN DOLLARS – DESIGN & PRICE ARE SUBJECT TO CHANGE WITHOUT NOTICE

Our right of continuous improvement has been implemented without prior notification. It does not constitute that these improvements and changes were applied to end user, retailing dealer or distributor inventory. Product improvements will apply only as production schedules permit. All dimensions are approximate.

Teagle

Titan 10/12

| | | |
|---|---|--|
| Description The TITAN range is well proportioned, ensuring excellent stability, maneuverability, visibility of the load, and superior ground clearance. · Titan 10: 348ft ³ Capacity · Titan 12: 414ft ³ Capacity Rigid Drawbar as Standard Dual Vertical beaters for a fine spread pattern | Specifications · BORON Steel Beaters · WAJ PTO as standard 1000 rpm · Cam and Overrun Clutch PTO · Hyd. Braked Axle · Slurry Gate std. · Min PTO 100HP/120HP · Weight: 11486/12059lbs. |  |
|---|---|--|

Additional Information is available on the Teagle website

| Item | Part Number | Description | Price |
|--------------|-------------|--|--------------|
| Base machine | TN10 | Titan 10 with rigid drawbar and ring hitch | \$98,550.00 |
| | TN12 | Titan 12 with rigid drawbar and ring hitch | \$100,954.00 |

| Drawbar Options | | | |
|-----------------------|--------|-----------------------|------------|
| Rigid Ring Drawbar | RS4699 | Rigid Ring Drawbar | Std. |
| Sprung Ring Drawbar | RS4512 | Sprung Ring Drawbar | \$2,107.00 |
| Rigid Clevis Drawbar | | Rigid Clevis Drawbar | \$0.00 |
| Sprung Clevis Drawbar | | Sprung Clevis Drawbar | \$2,107.00 |

| Wheel Options | | | |
|-----------------|--------|--|--------|
| TN10 / TN12 | WE1309 | 580/70R38 (1852 x 580) | Std. |
| Oversize Wheels | | Various Oversize wheel options available | P.O.A. |

| Braking Options | | | |
|---------------------------------|--------|---|------------|
| Commercial Axle with Air & Hyd. | | Air & Hydraulic braked axle with 4.8" x 15.8" drums | \$5,828.00 |
| TN10 | RS4510 | Increases Capacity Titan 10 to 423ft ³ | \$1,820.00 |
| TN12 | RS4610 | Increases Capacity Titan 12 to 510ft ³ | \$2,223.00 |


| Miscellaneous Options | | | |
|------------------------|--------|--|-------------|
| Weighing Load Cell Kit | RS4697 | Basic Weighing System (3 point) | \$10,448.00 |
| Electric bed speed | RS4590 | In-Cab Electric Bed Chain Speed Controller | \$2,608.00 |
| Flashing Beacon | RS4631 | Strobe for Highway use | \$420.00 |
| Hydraulic Jack | RS4270 | Drawbar Jack | \$2,660.00 |

PRICED IN CANADIAN DOLLARS

PRICES ARE FOB HARRISTON, ONT. IN CDN DOLLARS – DESIGN & PRICE ARE SUBJECT TO CHANGE WITHOUT NOTICE

Our right of continuous improvement has been implemented without prior notification. It does not constitute that these improvements and changes were applied to end user, retailing dealer or distributor inventory. Product improvements will apply only as production schedules permit. All dimensions are approximate.

Teagle Titan 15/17

| | | |
|--|--|--|
| Description The TITAN range is well proportioned, ensuring excellent stability, maneuverability, visibility of the load, and superior ground clearance. · Titan 15: 543ft ³ Capacity · Titan 17: 607ft ³ Capacity Sprung Drawbar as Standard Dual Vertical beaters for a fine spread pattern | Specifications · BORON Steel Beaters · WAJ PTO as standard 1000 rpm · Cam and Overrun Clutch PTO · Air / Hyd. Braked Axle Std. · Slurry Gate std. · Min PTO 120HP/160HP · Weight: 13845/14462lbs. |  |
|--|--|--|

Additional Information is available on the Teagle website

| Item | Part Number | Description | Price |
|--------------|-------------|--|--------------|
| Base machine | TN15 | Titan 15 with rigid drawbar and ring hitch | \$128,478.00 |
| | TN17 | Titan 17 with rigid drawbar and ring hitch | \$133,819.00 |

| | | | |
|------------------------|--|-----------------------|--------|
| Drawbar Options | | | |
| Sprung Clevis Drawbar | | Sprung Clevis Drawbar | P.O.A. |

| | | | |
|----------------------|--------|--|--------|
| Wheel Options | | | |
| TN15 / TN17 | WE1309 | 580/70R38 | Std. |
| Oversize Wheels | | Various Oversize wheel options available | P.O.A. |

| | | | |
|---------------------------------|--|--|------|
| Braking Options | | | |
| Commercial Axle with Air & Hyd. | | Air & Hydraulic braked axle with 4.8" x 15.8"drums | Std. |

| | | | |
|------------------------|--|---|------------|
| Extension sides | | | |
| TN15 | | Increases Capacity Titan 15 to 634ft ³ | \$2,258.00 |
| TN17 | | Increases Capacity Titan 17 to 710ft ³ | \$2,503.00 |

| | | | |
|------------------------------|--------|--|-------------|
| Miscellaneous Options | | | |
| Weighing Load Cell Kit | RS4697 | Basic Weighing System (3 point) | \$10,448.00 |
| Electric bed speed | RS4590 | In-Cab Electric Bed Chain Speed Controller | \$2,608.00 |
| Flashing Beacon | RS4631 | Strobe for Highway use | Std. |
| Hydraulic Jack | RS4270 | Drawbar Jack | \$2,660.00 |

PRICED IN CANADIAN DOLLARS

PRICES ARE FOB HARRISTON, ONT. IN CDN DOLLARS – DESIGN & PRICE ARE SUBJECT TO CHANGE WITHOUT NOTICE

Our right of continuous improvement has been implemented without prior notification. It does not constitute that these improvements and changes were applied to end user, retailing dealer or distributor inventory. Product improvements will apply only as production schedules permit. All dimensions are approximate.

Harco Ag Set-Up Charges

Harco Ag 'Set-Up' includes basic assembly only; machines are not considered field ready.
Final preparation for use is the dealer's responsibility.

| Model | Estimated Time (Hours) | Price |
|----------------------|------------------------|----------|
| Teagle 505M | 0.5 | \$50.00 |
| Teagle 505B | 1 | \$100.00 |
| Teagle 505XLM/5050XL | 3.5 | \$350.00 |
| Teagle 500FS | 3.5 | \$350.00 |
| Teagle 5050 | 0.5 | \$50.00 |
| Teagle 6100H | 2 | \$200.00 |
| Teagle 6200H | 2 | \$200.00 |
| Teagle 8200 | 2 | \$200.00 |
| Teagle 8250 | 2 | \$200.00 |
| Teagle 8500 | 2 | \$200.00 |
| Teagle 8555 | 2 | \$200.00 |
| Teagle 9500 | 3 | \$300.00 |
| Teagle 1010 | 6 | \$600.00 |
| Teagle C12 | 6 | \$600.00 |
| Teagle C120 | 6 | \$600.00 |

| Options | Estimate Time (Hours) | Price |
|-------------------|-----------------------|----------|
| Chute | 0.5 | \$50.00 |
| Tailgate Mesh Kit | 0.5 | \$50.00 |
| Dust Seal Kit | 1.5 | \$150.00 |
| Liquid Spray Kit | 3.75 | \$375.00 |
| New Screen | 0.75 | \$75.00 |
| Bale Lifts | 0.5 | \$50.00 |

Please contact us for any set-up charges on any models/options not listed.

PRICED IN CANADIAN DOLLARS

PRICES ARE FOB HARRISTON, ONT. IN CDN DOLLARS – DESIGN & PRICE ARE SUBJECT TO CHANGE WITHOUT NOTICE

Our right of continuous improvement has been implemented without prior notification. It does not constitute that these improvements and changes were applied to end user, retailing dealer or distributor inventory. Product improvements will apply only as production schedules permit. All dimensions are approximate.

5808 Hwy #9, Harriston, Ontario, N0G 1Z0
Phone: 519-338-2923, Fax: 519-338-2756
Email: sales@harcoag.ca
www.harcoag.ca

BEDDING & MULCHING CHOPPERS



| Bedding Choppers for Straw, Hay or Newspaper | | | |
|---|--|-------------|--------------------|
| Model # | Description | Lbs. | Price (Cdn) |
| KB1255 | Model KB 1000 side discharge chassis w/13 hp Honda engine & double swivel wheel | 480 | \$7,743.00 |
| KB1275 | Model KB 1000 side discharge chassis w/14 hp Vanguard engine & double swivel wheel | 480 | \$7,743.00 |
| KB1280 | Model KB1000 side discharge chassis w/5 hp electric motor & double swivel wheel | 460 | \$6,683.00 |

| Bedding Choppers for use with TMR systems | | | |
|--|---|-------------|--------------------|
| Model # | Description | Lbs. | Price (Cdn) |
| KB1560 | Model KB 1500 Bottom discharge chassis with 76 knives, adjustable stand & 3 hp electric motor | 485 | \$5,950.00 |

| Mulching Choppers for Landscaping | | | |
|--|---|-------------|--------------------|
| Model # | Description | Lbs. | Price (Cdn) |
| KB1350 | Model KB 1300 Blower chassis w/56 knives, 16 hp Briggs & Stratton Vanguard engine & stationary gooseneck for 6" hose. | 650 | \$11,206.00 |
| KB1355 | Model KB 1300 Blower chassis w/56 knives, 13 hp Honda engine & stationary gooseneck for 6" hose. | 680 | \$9,943.00 |
| KB1390 | Model KB 1300 Blower chassis w/56 knives, PTO drive, 3 point hitch & stationary gooseneck for 6" hose. | 600 | \$9,943.00 |

PRICED IN CANADIAN DOLLARS

PRICES ARE FOB HARRISTON, ONTARIO – DESIGN & PRICE ARE SUBJECT TO CHANGE WITHOUT NOTICE

5808 Hwy #9, Harriston, Ontario, N0G 1Z0
Phone: 519-338-2923, Fax: 519-338-2756
Email: sales@harcoag.ca
www.harcoag.ca

WEAVERLINE

MULCH BAGGERS//BLOWERS//ACCESSORIES



| Mulch Bagger | | | |
|---------------------|--------------------|-------------|--------------------|
| Model # | Description | Lbs. | Price (Cdn) |
| 46MB | Mulch Bagger | | \$14,234.00 |

| Air Raid Debris Blower | | | |
|-------------------------------|------------------------|-------------|--------------------|
| Model # | Description | Lbs. | Price (Cdn) |
| 218 | Air Raid Debris Blower | | \$6,846.00 |

| Options & Accessories for Landscaping | | | |
|--|--------------------------------------|-------------|--------------------|
| Model # | Description | Lbs. | Price (Cdn) |
| KB1410 | Stationary Gooseneck for 6" hose | 18 | \$660.00 |
| KB1420 | Short Rotating Gooseneck for 6" hose | 20 | \$970.00 |
| KB1425 | Tall Rotating Gooseneck for 6" hose | 30 | \$1,051.00 |
| KB1415 | 30 feet of 6" blower hose | 50 | \$1,369.00 |
| KB1416 | 40 feet of 6" blower hose | 67 | \$1,654.00 |
| KB1417 | Hose handle kit | 5 | \$179.00 |
| KB1405 | 6" Blower hose per foot | 2 | \$46.00 |

PRICED IN CANADIAN DOLLARS

PRICES ARE FOB HARRISTON, ONTARIO – DESIGN & PRICE ARE SUBJECT TO CHANGE WITHOUT NOTICE

SILAGE CARTS



37 Bushel Cart – c/w 24V Charger (deduct \$1,051.00 if not required)

| Model # | Description | Lbs. | Price (Cdn) |
|---------|---|------|-------------|
| 537SS4 | 537 Stainless Cart w/ 4 SS Augers & SS Conveyor | | \$17,107.00 |
| 537DL | 537 Stainless Cart w/ 4 SS Augers & 62 Detachable Chain | | \$17,107.00 |

31 Bushel Cart – c/w 24V Charger (deduct \$1,051.00 if not required)

| Model # | Description | Lbs. | Price (Cdn) |
|---------|--|------|-------------|
| 531SS4 | 531 Stainless Cart w/4 SS Augers & SS Conveyor | | \$16,047.00 |
| 531SS2 | 531 Stainless Cart w/2 SS Augers & SS Conveyor | | \$15,884.00 |
| 531DL | 531 Stainless Cart w/4 SS Augers & 62 Detachable Chain | | \$16,047.00 |

25 Bushel Cart – c/w 24V Charger (deduct \$1,051.00 if not required)

| Model # | Description | Lbs. | Price (Cdn) |
|---------|--|------|-------------|
| 525SS4 | 525 Stainless Cart w/4 SS Augers & SS Conveyor | | \$15,640.00 |
| 525SS2 | 525 Stainless Cart w/2 SS Augers & SS Conveyor | | \$15,477.00 |
| 525DL | 525 Stainless Cart w/4 SS Augers & 62 Detachable Chain | | \$15,640.00 |

21 Bushel Cart– c/w 24V Charger (deduct \$1,051.00 if not required)

| Model # | Description | Lbs. | Price (Cdn) |
|---------|--|------|-------------|
| 521SS4 | 521 Stainless Cart w/4 SS Augers & SS Conveyor | | \$16,047.00 |
| 521SS2 | 521 Stainless Cart w/2 SS Augers & SS Conveyor | | \$15,884.00 |
| 521DL | 521 Stainless Cart w/4 SS Augers & 62 Detachable Chain | | \$16,047.00 |

Options

| Description | Price (Cdn) |
|---|-------------|
| 24V Charger | \$1,051.00 |
| High box (13" to 30" discharge) | \$1,263.00 |
| Front & Side Unloading | \$1,141.00 |
| Extra Heavy Duty Caster (Included on Model 527) | \$269.00 |
| Air Tires (Outside) adds 6 1/2" to the width | \$530.00 |
| Hay Special Cart – Use 4SS Auger Cart Price and add | \$831.00 |

Carts w/2 SS Augers have the lower 2 augers Stainless and the top 2 augers hot roll.

PRICED IN CANADIAN DOLLARS

PRICES ARE FOB HARRISTON, ONTARIO – DESIGN & PRICE ARE SUBJECT TO CHANGE WITHOUT NOTICE

TAB 5



5808 Hwy #9, Harriston, Ontario, N0G 1Z0
Phone: 519-338-2923, Fax: 519-338-2756
Email: sales@harcoag.ca
www.harcoag.ca

Date Change Only

TerraFormer (Earth Mover)

| | |
|---|--|
| <p>Features Include:</p> <ul style="list-style-type: none"> ▪ Infinite blade adjustments from 12 to 28 feet. ▪ Under 12 foot transport width. ▪ Auto grade & auto slope ready. ▪ Hydraulic cylinder protection circuits. | <p>Standard Equipment:</p> <ul style="list-style-type: none"> ▪ Hardened, industry standard cutting edges. ▪ Height & tilt indicator. ▪ Industrial cylinders. ▪ LED warning strobe package. |
| <p>Optional Equipment:</p> <ul style="list-style-type: none"> ▪ SD Drain autograde & slope control. ▪ Scraper style hitch. ▪ Electric over hydraulic multipliers or valves. ▪ Complete RTK systems. | |

| Model # | Description | Weight | In Freight | MSRP [CDN] |
|---------|--|--------|------------|--------------|
| 886500 | 8650 – 11K# Ag Hitch, Six Hydraulic Functions | | | \$183,600.00 |
| 887001 | Scraper Hitch Kit – Case/NH Pattern | | | \$5,347.00 |
| 887004 | 5 th Wheel Transport Hitch | | | \$3,087.00 |
| 887005 | Hydraulic Valve Multiplier for 5 Valve Tractors | | | \$1,654.00 |
| 887006 | Hydraulic Valve Multiplier for 4 Valve Tractors | | | \$3,308.00 |
| 887007 | 6 Electric Proportional Hydraulic Valve for Tractors w/Manual Valves | | | \$19,845.00 |
| 887100 | SD Drain Wireless Machine Control Package (Grade Only) | | | \$18,191.00 |
| 887101 | SD Drain Extreme Duty Wired Machine Control Package (Grade Only) | | | \$18,853.00 |
| 887105 | DAC2x2 Slope Control Kit & Unlock for SD Drain | | | \$2,977.00 |
| 887200 | ADMS Watershed Software w/1 year license & support | | | \$3,445.00 |
| | Factory Set-up – Tow Configuration | | | \$4,725.00 |



PRICED IN CANADIAN DOLLARS

PRICES ARE FOB BENITO, MB – DESIGN & PRICE ARE SUBJECT TO CHANGE WITHOUT NOTICE

5808 Hwy #9, Harriston, Ontario, N0G 1Z0

Phone: 519-338-2923, Fax: 519-338-2756

Email: sales@harcoag.ca

www.harcoag.ca



Easy Installation * Fully Adjustable * UV Stable ABS * Universal Bracket

Available in Black, Gray, Green, Orange and Red.

Eclipse Canopies will fit most utility vehicles, mowers and tractors equipped with ROPS bars with listed frame sizes.

Includes canopy & mounting hardware.

| Hardware Options | ROPS | PITCH |
|------------------|-------------------|----------------|
| Standard | 2" x 2" & 3" x 2" | 0 to 25 Degree |
| Oversized | 4" x 2" & 4" x 3" | 0 to 25 Degree |
| Extreme Pitched | 2' x 2' & 3" x 2" | 45 Degree |

Universal TRACTOR Canopy – 4550 Series

| Item # | Description | Fits ROPS Sizes | MSRP [CDN] |
|--|-------------------------|--|------------|
| 4550B | 45" x 50" BLACK Canopy | 2" x 2", 3" x 1½", 3" x 1¾" & 3" x 2" ROPS | \$993.00 |
| 4550Ba | BLACK Canopy | For angled ROPS | \$893.00 |
| 4550Y | 45" x 50" GRAY Canopy | 2" x 2", 3" x 1½", 3" x 1¾" & 3" x 2" ROPS | \$1114.00 |
| 4550Ya | GRAY Canopy | For angled ROPS | \$970.00 |
| 4550R | 45" x 50" RED Canopy | 2" x 2", 3" x 1½", 3" x 1¾" & 3" x 2" ROPS | \$1114.00 |
| 4550Ra | RED Canopy | For angled ROPS | \$970.00 |
| 4550G | 45" x 50" GREEN Canopy | 2" x 2", 3" x 1½", 3" x 1¾" & 3" x 2" ROPS | \$1114.00 |
| 4550Ga | GREEN Canopy | For angled ROPS | \$970.00 |
| 4550O | 45" x 50" ORANGE Canopy | 2" x 2", 3" x 1½", 3" x 1¾" & 3" x 2" ROPS | \$1114.00 |
| *Being phased out – we have stock though! | | | |

Universal MOWER Canopy – 3641 Series

| Item # | Description | Fits ROPS Sizes | MSRP [CDN] |
|--------|-------------------------|--|------------|
| 3641SB | 36" x 41" BLACK Canopy | 2" x 2", 3" x 1½", 3" x 1¾" & 3" x 2" ROPS | \$855.00 |
| 3641RB | 36" x 41" BLACK Canopy | Fits 2½" Round ROPS | \$855.00 |
| 3641SY | 36" x 41" GRAY Canopy | 2" x 2", 3" x 1½", 3" x 1¾" & 3" x 2" ROPS | \$727.00 |
| 3641SG | 36" x 41" GREEN Canopy | 2" x 2", 3" x 1½", 3" x 1¾" & 3" x 2" ROPS | \$933.00 |
| 3641SO | 36" x 41" ORANGE Canopy | 2" x 2", 3" x 1½", 3" x 1¾" & 3" x 2" ROPS | \$933.00 |
| 3641SR | 36" x 41" RED Canopy | 2" x 2", 3" x 1½", 3" x 1¾" & 3" x 2" ROPS | \$993.00 |



Top Fan Powered

| Item # | Description | MSRP [CDN] |
|--------|-----------------------------|------------|
| C3641B | 36" x 41" BLACK Canopy | \$1,679.00 |
| C4351B | 43 ¾" X 50 ½" BLACK Canopy | \$1,713.00 |
| C4351G | 43 ¾" X 50 ½" GREEN Canopy | \$1,935.00 |
| C4351O | 43 ¾" X 50 ½" ORANGE Canopy | \$1,935.00 |
| C4351R | 43 ¾" X 50 ½" RED Canopy | \$1,935.00 |
| | Adapter Bar Kits | \$143.00 |

PRICED IN CANADIAN DOLLARS

PRICES ARE FOB HARRISTON, ONT – DESIGN & PRICE ARE SUBJECT TO CHANGE WITHOUT NOTICE

5808 Hwy #9, Harriston, Ontario, N0G 1Z0
Phone: 519-338-2923, Fax: 519-338-2756
Email: sales@harcoag.ca
www.harcoag.ca



Kubota RTV Canopy

Kubota RTV Canopy

| Model # | Part # | Description | MSRP [CDN] |
|-----------------------|---------|---------------|------------|
| RTV-X900 | K4860B1 | Black Canopy | \$765.00 |
| RTV-X1120D Diesel | K4860O1 | Orange Canopy | \$765.00 |
| RTV-XG850 Sidekick | K4860O1 | Orange Canopy | \$765.00 |

Gator UV Canopy

| Model # | Part # | Description | MSRP [CDN] |
|-------------------------|--------|---------------------------------|------------|
| TOPS | | | |
| TS, TX, TE 4x2 | JG21G | Top, frame & hardware kit | \$1,180.00 |
| TH 6x4 Diesel | JG04G | Top, frame & hardware kit | \$1,180.00 |
| TH 6x4 Gas | JG04G | Top, frame & hardware kit | \$1,180.00 |
| 2000 to 2003 | JG03G | Top, frame & hardware kit | \$1,180.00 |
| FRONT WINDSHIELD | | | |
| All T Gator Models | JG411A | Front windshield fits all units | \$407.00 |



John Deere Gator Canopy

All above includes canopy & mounting hardware

PRICED IN CANADIAN DOLLARS

PRICES ARE FOB HARRISTON, ONT – DESIGN & PRICE ARE SUBJECT TO CHANGE WITHOUT NOTICE



5808 Hwy #9, Harriston, Ontario, N0G 1Z0
 Phone: 519-338-2923, Fax: 519-338-2756
 Email: sales@harcoag.ca
www.harcoag.ca



Amended September 2025

PRICELIST

| Model | Description | Price [CDN] |
|----------------|--|-------------|
| HWP-100 | Processor w/2 way wedge | \$12,549.00 |
| HWP-100 | Processor w/4 way wedge | \$12,746.00 |
| HWP-100 | Processor w/2 way & 4 way wedge | \$13,061.00 |
| HWP-120 | Processor/Adjusts 4 way | \$18,634.00 |
| HWP-120 | Processor/Adjusts 6 way | \$18,981.00 |
| HWP-140B | Processor/Adjusts 4 way | \$27,704.00 |
| HWP-140B | Processor/Adjusts 6 way | \$28,051.00 |
| HWP-150 | Processor/Adjusts hydraulically 4 way | \$35,913.00 |
| HWP-150 | Processor/Adjusts hydraulically 6 way | \$36,267.00 |
| HWP-160 | Processor w/4 way wedge | \$57,209.00 |
| HWP-160 | Processor w/6 way wedge | \$57,524.00 |
| HWP-160 | Processor w/8 way wedge | \$57,839.00 |
| | | |
| HWP-200GS | Grapple Saw | \$16,134.00 |
| HWP-275GS | Grapple Saw NEW | \$19,306.00 |
| HWP-WHS10 | 100/120 Main Cab Harness Kit | \$1,456.00 |
| HWP-WHS8 | 140B//150 Main Cab Harness Kit | \$1,560.00 |
| HWP-WHGHK | Grapple Saw Cab Harness Kit | \$550.00 |
| No # available | 120 Joystick Harness Kit | \$2,072.00 |
| No # available | 140B or 150 Joystick Harness Kit | \$1,781.00 |
| No # available | Bob Cat Harness | \$313.00 |
| HWP-2111 | 120/140B 6-way Wedge | \$1,080.00 |
| HWP-2112 | 150 6-way Wedge | \$1,192.00 |
| No # available | 160 4-way Wedge | \$1,690.00 |
| No # available | 160 6-way Wedge | \$2,005.00 |
| No # available | 160 8-way Wedge | \$2,321.00 |
| No # available | Inverted Splitter | \$7,062.00 |
| No # available | Grill NEW | \$307.00 |
| No # available | Firepit NEW | \$254.00 |

PRICED IN CANADIAN DOLLARS

PRICES ARE FOB HARRISTON, ONTARIO – DESIGN & PRICE ARE SUBJECT TO CHANGE WITHOUT NOTICE



5808 Hwy #9, Harriston, Ontario, N0G 1Z0
 Phone: 519-338-2923, Fax: 519-338-2756
 Email: sales@harcoag.ca
www.harcoag.ca

File Section: 5, Page 15
 Effective Date: April 1, 2025



Amended September 2025

LEFT HAND PROCESSORS

| Model | Description | Price [CDN] |
|----------|-------------------------------------|-------------|
| HWP-140B | LH Processor w/4 way wedge | \$28,730.00 |
| HWP-140B | LH Processor w/6 way wedge | \$29,077.00 |
| HWP-140B | LH Processor w/4 way & 6 way wedge | \$29,812.00 |
| | | |
| HWP-150 | LH Processor w/4 way wedge | \$36,938.00 |
| HWP-150 | LH Processor w/6 way wedge | \$37,296.00 |
| HWP-150 | LH Processor w/4 way or 6 way wedge | \$38,129.00 |

EXTENDED PROCESSORS

| Model | Description | Price [CDN] |
|---------|--|-------------|
| HWP-150 | Extended Processor w/4 way wedge | \$37,967.00 |
| HWP-150 | Extended Processor w/6 way wedge | \$38,322.00 |
| HWP-150 | Extended Processor w/4 way or 6 way wedge | \$39,154.00 |

SHUTTLE SHAVERS

| Model | Description | Price [CDN] |
|----------------|--------------------------------|-------------|
| No # available | Shuttle Shaver 1524 NEW | \$11,012.00 |
| No # available | Shuttle Shaver 2447 NEW | \$25,019.00 |

PTO DRIVEN HYDRAULIC POWER UNIT

PLEASE NOTE: This unit comes dry, oil is extra (requires 25 U.S. gallons) not included in below prices

| Model | Description | Price [CDN] |
|---------|----------------------|-------------|
| | | |
| HWP-HPU | With Cooler Assembly | \$6,215.00 |

PRICED IN CANADIAN DOLLARS

PRICES ARE FOB HARRISTON, ONTARIO – DESIGN & PRICE ARE SUBJECT TO CHANGE WITHOUT NOTIC



Wood Products, Inc.
Amended September 2025

TRAILER MODELS

| Model | Description | Price [CDN] |
|-----------|---|-------------|
| 100-3PT | Trailer Processor w/2 way | \$13,563.00 |
| 100-3PT | Trailer Processor w/4 way | \$13,957.00 |
| PUMP | Optional Hydraulic Pump Kit for 3PT | \$4,255.00 |
| ADJ.WEDGE | Hydraulic 4-WAY wedge for 100-3PT | \$837.00 |
| | | |
| | | |
| | | |
| | | |
| 100TR-H | Trailer Processor w/2 way (Honda Engine) | \$24,625.00 |
| 100TR-H | Trailer Processor w/4 way (Honda Engine) | \$25,019.00 |
| ADJ.WEDGE | Adjustable hydraulic 4 way wedge for 100TR-H | \$837.00 |

BALE BUDDY 2000

| Model | Description | Price [CDN] |
|-----------------|---|-------------|
| Bale Buddy 2000 | Bale Wrapper – See Section 3, Page 20 for details | \$8,373.00 |



www.halversonwoodproducts.com

PRICED IN CANADIAN DOLLARS

PRICES ARE FOB HARRISTON, ONTARIO – DESIGN & PRICE ARE SUBJECT TO CHANGE WITHOUT NOTICE



Specification Pages

Harco Ag Equipment
 5808 HWY 9, Harriston, Ont.
 NOG120
 519-338-2923
 sales@harcoag.ca
 File Section: 5, Halverson
Effective: January 1, 2026

| | HWP-100 | HWP-120 | HWP-125GS | HWP-140B | HWP-150 | HWP-150 EXTENDED | HWP-160 |
|----------------------------|---|--|--|---|---|---|--|
| LENGTH | Travel= 80" (203 cm) Working= 100 (254 cm) | Travel= 99" (203251 cm) Working= 121" (307cm) | 33" (84 cm) | Travel= 102" (259 cm) Working= 126" (320 cm) | Travel= 107" (272 cm) Working= 129" (328 cm) | Travel= 121" (307 cm) Working= 143" (363 cm) | 144" (366 cm) |
| WIDTH | 41" (104 cm) | 55" (140 cm) | 46" (142 cm) | 55" (140 cm) | 58" (147 cm) | 58" (147 cm) | 68" (172 cm) |
| HEIGHT | 41" (104 cm) | 51" (130 cm) | 41" (104 cm) | 51" (130 cm) | 57" (145 cm) | 57" (145 cm) | 70" (178 cm) |
| WEIGHT | 706 lbs (320 kg) | 1280 lbs. (581 kg) | 770 lbs. (349 kg) | 1450 lbs. (658 kg) | 1638 lbs. (743 kg) | 1905 lbs. (864 kg) | 2347 lbs. (1065 kg) |
| MATERIAL | 3/16" Steel | 1/4" Steel | 3/8" & 5/8" Steel | 3/8" Steel | 3/8" Steel | 3/8" Steel | 3/8" Steel |
| -MINIMUM PRESSURE | 2800 (193 bar) | 2850 (196 bar) | 2850 (196 bar) | 2850 (196 bar) | 2850 (196 bar) | 2850 (196 bar) | 2850 (196 bar) |
| -FLOW | 10-15 gpm (39 - 57 l/min) | 14-20 gpm (53 - 76 l/min) | 15-20 gpm (57 - 76 l/min) | 15-20 gpm (57 - 76 l/min) | 15-20 gpm (57 - 76 l/min) | 15-20 gpm (57 - 76 l/min) | 15-20 gpm (57 - 76 l/min) |
| -CONNECTIONS | 1-Pressure, 1-Return | 1-Pressure, 1-Return 1-Case Drain | 1-Pressure, 1-Return 1-Case Drain | 1-Pressure, 1-Return 1-Case Drain | 1-Pressure, 1-Return 1-Case Drain | 1-Pressure, 1-Return 1-Case Drain | 1-Pressure, 1-Return 1-Case Drain |
| MAX LOG DIAMETER | 14" (37 cm) | 15" (38 cm) | 27" (69 cm) | 18" (46 cm) | 22" (56 cm) | 22" (56 cm) | 24" (60 cm) |
| MAX LOG LENGTH | 10' (3.05 m) | 12' (3.66 m) | NA | 12' (3.66 m) | 12' (3.66 m) | 12' (3.66 m) | 12' (3.66 m) |
| MIN LOG LENGTH | 4' (1.22 m) | 6' (1.82 m) | NA | 6' (1.82 m) | 6' (1.82 m) | 6' (1.82 m) | 6" (1.21 m) |
| FIREWOOD CUT LENGTH | Up to 16" (33cm - 38 cm) | Up to 22" (56 cm) | NA | Up to 22" (56 cm) | Up to 22" (56 cm) | Up to 33" (84 cm) | 16" to 22" in 2" Increments |
| SAW BAR | 18" (64 cm) Versacut | 25" (64cm) Harvester | 31" (80cm) Harvester | 25" (64cm) Harvester | 31" (80cm) Harvester | 31" (80cm) Harvester | 32" (82 cm) Speedmax XL |
| SAW CHAIN | 68 DL 3/8 pitch 0.58 | 78 DL .404 pitch/18HX | 93 DL .404 pitch/18HX | 78 DL .404 pitch/18HX | 93 DL .404 pitch/18HX | 93 DL .404 pitch/18HX | 97 DL .404 pitch/18 HX |
| SAW MOTOR | Gear | Bent Axis Piston | Bent Axis Piston(Industrial) | Bent Axis Piston(Industrial) | Bent Axis Piston(Industrial) | Bent Axis Piston(Industrial) | Bent Axis Piston (Industrial) |
| SAW OILER | Automatic 2 Qt (1.89 l) | Automatic 2 Qt (1.89 l) | Automatic 2 Qt (1.89 l) | Automatic 2 Qt (1.89 l) | Automatic 2 Qt (1.89 l) | Automatic 2 Qt (1.89 l) | Automatic 2 Qt (1.89 l) |
| MAX SAW CUT | 14" (37 cm) | 15" (38 cm) | 27" (69cm) | 18" (46 cm) | 22" (56 cm) | 22" (56 cm) | 22" (56 cm) |
| SPLITTER CYLINDER | Custom 3" x 18" Stroke | Standard 3.5" x 24" Stroke | NA | Custom 3.5" x 24" Stroke | Custom 4" x 24" Stroke | Custom 4" x 36" Stroke | 4.5" Bore x 22" Stroke |
| SPLITTER FORCE | 21,195 @ 3000 psi | 28,850 @ 3000 psi | NA | 28,850 @ 3000 psi | 36,138 @ 3000 psi | 36,138 @ 3000 psi | 43,331 lbs. @ 2850 psi |
| SPLITTING WEDGE | 2-way or 4-way | 4-way or 6-way Manually Adjustable | NA | 4-way or 6-way Manually Adjustable | 4-way or 6-way Hydraulically Adjustable | 4-way or 6-way Hydraulically Adjustable | 4-way, 6-way or 8-way Hydraulically Adjustable |
| IN-FEED | Sliding Trough Carries Log to Wedge | Sliding Trough Carries Log to Wedge | Grapple | Sliding Trough Carries Log to Wedge | Sliding Trough Carries Log to Wedge | Sliding Trough Carries Log to Wedge | Feed Chain/Roller arm |
| MOUNTING | Universal Quick Attach SAE Spec J2513 | Universal Quick Attach SAE Spec J2513 | Universal Quick Attach SAE Spec J2513 | Universal Quick Attach SAE Spec J2513 | Universal Quick Attach SAE Spec J2513 | Universal Quick Attach SAE Spec J2513 | Universal Quick Attach SAE Spec J2513 |
| MEASURING | NA | NA | NA | Manual Moveable Device | Manual Moveable Device | Manual Moveable Device | Manual Moveable Device |

| | | | | | | | |
|----------------|-----------------------|-------------------------|--|--------------------|--------------------|--|--------------------|
| Full Cord/Hour | ¾ to 1 full cord/hour | 1 to 1 ¼ full cord/hour | | 1 ½ full cord/hour | 1 ½ full cord/hour | | 1 ¾ full cord/hour |
| | | | | | | | |

ABOVE AMOUNTS DEPENDS ON WOOD QUALITY & VARIETY

Full Cord = eight feet long by four feet high by four feet deep

Face Cord = four feet high by eight feet long by however deep the length of the firewood is or 1/3 of a full cord

| | HWP-100TR-D | HWP-100TR-H | HWP-100-3P | Hydraulic Pump Kit For 3 Point | |
|----------------------------|--|---|---|-------------------------------------|------------------|
| LENGTH | Travel= 126" (320 cm) Working= 96" (244 cm) | Travel= 126" (320cm) Working= 96" (244 cm) | 81" (205 cm) W/ Hyd. Wedge- 86" (218 cm) | Fluid Capacity | 15 US Gallon |
| WIDTH | 68" (172 cm) | 68" (172 cm) | 64" (162.5 cm) | Pump Flow Rate | 21.2 GPM |
| HEIGHT | 64" (162.5 cm) | 64" (162.5 cm) | 62" (157.5 cm) | Pump Max | 2,500 PSI |
| WEIGHT | 1260 lbs (572 kg) | 1405 lbs (637 kg) | 1027 lbs (466 kg) | Pump PTO Speed | 540 RPM |
| CONNECTIONS | NA | NA | 1-Pressure, 1-Return | Hydraulic Cooler | 50 GPM |
| MATERIAL | 3/16" Steel | 3/16" Steel | 3/16" Steel | Pressure Relief Valve | 2,400 PSI |
| MAX LOG DIAMETER | 14" (37 cm) | 14" (37 cm) | 14" (37 cm) | Hydraulic Fan & Wiring | 12 Volt |
| MAX LOG LENGTH | 8' (2.44 m) | 8' (2.44 m) | 8' (2.44 m) | Thermostat | Max 185°F (85°C) |
| MIN LOG LENGTH | 4' (1.22 m) | 4' (1.22 m) | 4' (1.22 m) | Filter Assembly & Filter | 25 Micron |
| FIREWOOD CUT LENGTH | Up to 16" (33cm - 38 cm) | Up to 16" (33cm - 38 cm) | Up to 16" (33cm - 38 cm) | Adjustable Legs | |
| SAW BAR | 18" (64 cm) Versacut | 18" (64 cm) Versacut | 18" (64 cm) Versacut | | |
| SAW CHAIN | 68 DL 3/8 pitch 0.58 | 68 DL 3/8 pitch 0.58 | 68 DL 3/8 pitch 0.58 | | |
| SAW MOTOR | Gear | Gear | Gear | | |
| SAW OILER | Automatic 2 Qt (1.89 l) | Automatic 2 Qt (1.89 l) | Automatic 2 Qt (1.89 l) | | |
| MAX SAW CUT | 14" (37 cm) | 14" (37 cm) | 14" (37 cm) | | |
| SPLITTER CYLINDER | Custom 3.5" x 18" Stroke | Custom 3.5" x 18" Stroke | Custom 3" x 18" Stroke | | |
| SPLITTER FORCE | 21,195 @ 2600 psi | 21,195 @ 2600 psi | 21,195 @ 2400 psi | | |
| SPLITTING WEDGE | 2-way or 4-way | 2-way or 4-way | 2-way or 4-way | | |
| IN-FEED | Sliding Trough Carries Log to Wedge | Sliding Trough Carries Log to Wedge | Sliding Trough Carries Log to Wedge | | |
| TIRE SIZE | 4.8-12 | 4.8-12 | X | | |
| MOUNTING | 2" Ball | 2" Ball | 3-point | | |
| MOTOR | DuroMax 420CC | GX630 Honda 20.8 hp 1" Keyed Shaft | x | | |
| FUEL CAPACITY (GAS) | 1.75 Gal | 1.5 Gal | x | | |
| OIL CAPACITY | 37.2 FL OZ | 15 Gal | x | | |
| RPM | 3600 | 3600 | x | | |
| PUMP | High Low | Honor Gear Pump 5/8 Keyed Shaft | HPU option | | |
| GPM | 16 | 16 | 10-15 GPM | | |
| HYDRAULIC FILTER | | Spin On | | | |

| | 200 GRAPPLE SAW | 275 GRAPPLE SAW |
|-------------------------|---------------------------------------|---------------------------------------|
| OPENING | 37.5" | 37.5" |
| LENGTH | 48" | 48" |
| WIDTH | 33" | 33" |
| HEIGHT | 42" | 41" |
| WEIGHT | 885 LBS. | 1100 LBS. |
| MATERIAL | 3/8" & 5/8" Steel | 3/8"-5/8" Steel |
| MINIMUM PRESSURE | 2850 psi | 2850-psi |
| FLOW | 15-20 GPM | High Flow 26 to 40 GPM |
| CONNECTIONS | 1- Pressure, 1-Return, 1- Case drain | 1- Pressure, 1- Return, 1- Case Drain |
| MAX LOG DIAMETER | 27" | 36" |
| SAW BAR | 31" (80cm) Harvester | 45" Harvester |
| SAW CHAIN | 93 DL .404 pitch/ 18HX Series | 3/4" pitch |
| SAW MOTOR | Bent Axis piston (Industrial) | Bent Axis Piston |
| OILER | Automatic 2 Qt tank | Automatic 2 Qt Tank |
| MAX SAW CUT | 27" | 36" |
| IN FEED | Grapple | Grapple |
| MOUNTING | Universal Quick Attach SAE Spec J2513 | Universal Quick Attach SAE Spec J2513 |

| Shuttle Shaver's | Shuttle Shaver 2447 | Shuttle Shaver 1524 |
|-----------------------|---------------------------------------|---------------------------------------|
| Pump | Low Flow 14-20 GPM | 14-20 GPM |
| Box Size | 24"x47" | 15"x23" |
| Ram Stroke | 48" 2 1/2" barrel | 24" |
| Weight | 1677 lbs. | 613 lbs. |
| Yards per hour | 4.67 cubic yards per hour | 2.67 cubic yards per hour |
| Wheels | Steel wheels | Steel Wheels |
| Shaft | 4 bolt bearings on shaft | 4 bolt bearings on shaft |
| Mounting | Universal Quick Attach SAE Spec J2513 | Universal Quick Attach SAE Spec J2513 |
| Knife | 25" knife- 6 row cutters- 168 cutters | 15" |
| Material | 3/8" steel | 54" |
| Lenth | 106" | 38" |
| Width | 48" | 1/4" Steek |
| Height | 51" | 31" |

| Inverted Splitter |
|---|
| Length: 90" |
| Width: 46" |
| Height: 23.5" |
| Weight: 843 LBS |
| Material: A 36 and Gr 50 Steel |
| Hydraulics: 4"x30" Hyd. Cylinder |
| Pressure: Up to 3,300 PSI |
| Flow: 5-20 GPM |
| Connections: Quick Coupler Flat Face |
| Cut Length: 30" |
| Splitter Cylinder: 4"x30" |
| Splitter Force: 36,138 @ 3,000PSI |
| Splitting Wedge: 4 Way |
| Mounting: Quicktach |

| HWP Bale Wrapper |
|---|
| Length: 72" (183 CM) |
| Width: 40" (102 CM) Base/ 104" (264cm) Top |
| Height: 90" (229cm) |
| Weight: 853 Lbs. |
| Bale Size: 4x5 or 5x6 |
| Connections: 14 Pin / Main Cab Kit |
| Wrap: Standard Film Wrap |
| Hydraulics: Auxiliary Hydraulics |

Shipping Specifications

| ITEM | WEIGHT | DIMENSIONS (LxWxH) | NMFC/ Class |
|-----------------------------------|----------|--------------------|----------------|
| HWP 100 Processor w/ 2 Way Wedge | 770 lbs | 82x36x48 | 133300-09/ 100 |
| HWP 100 Processor w/ 4 Way Wedge | 779 lbs | 82x36x48 | 133300-09/ 100 |
| HWP 100 Processor w/ both Wedges | 800 lbs | 82x36x48 | 133300-09/ 100 |
| HWP 120 Processor- FIXED | 1380 lbs | 96x36x48 | 133300-09/ 100 |
| HWP 120 Processor w/ 4 Way Wedge | 1380 lbs | 96x36x48 | 133300-09/ 100 |
| HWP 120 Processor w/ 6 Way Wedge | 1393 lbs | 96x36x48 | 133300-09/ 100 |
| HWP 120 Processor w/ both Wedges | 1447 lbs | 96x36x48 | 133300-09/ 100 |
| HWP 140B Processor w/ 4 Way Wedge | 1550 lbs | 102x36x56 | 133300-08/ 175 |
| HWP 140B Processor w/ 6 Way Wedge | 1563 lbs | 102x36x56 | 133300-08/ 175 |
| HWP 140B Processor w/ both Wedges | 1617 lbs | 102x36x56 | 133300-08/ 175 |
| HWP 150 Processor w/ 4 Way Wedge | 1738 lbs | 107x44x64 | 133300-08/175 |
| HWP 150 Processor w/ 6 Way Wedge | 1749 lbs | 107x44x64 | 133300-08/175 |
| HWP 150 Processor w/ both Wedges | 1816 lbs | 107x44x64 | 133300-08/175 |
| HWP 150 Extended w/ 4 Way Wedge | 2005 lbs | 121x44x64 | 133300-08/175 |
| HWP 150 Extended w/ 6 Way Wedge | 2016 lbs | 121x44x64 | 133300-08/175 |
| HWP 150 Extended w/ Both Wedges | 2083 lbs | 121x44x64 | 133300-08/175 |
| 125GS HD Grapple Saw | 845 lbs | 48x48x42 | 114225-01/ 100 |
| Grapple | 735 lbs | 48x48x42 | 114225-01/ 100 |

5808 Hwy #9, Harriston, Ontario, N0G 1Z0
Phone: 519-338-2923, Fax: 519-338-2756
Email: sales@harcoag.ca
www.harcoag.ca



SMV SIGNS

Harco SMV signs are high quality, locally made signs from dedicated craftsmen. Our regular signs are priced competitively with those of mass merchants and meet current requirements. High Visibility signs have more resolution for better visibility. Keep your customers, families and employees safe by always using signs that are current and in good condition.

| Model | Description | Price (Each) |
|----------|--|--------------|
| *AP101 | Flat Plastic Back SMV Sign – 12 pack | \$8.95 |
| AP102 | Decal Only For Sign – 12 pack | \$6.80 |
| *AP103 | Metal Back SMV Sign (Galvanized) – 12 pack | \$10.95 |
| AP105 | Plastic Back SMV Sign (Heavy Plastic) – 10 pack | \$9.85 |
| *AP101NS | Flat Plastic Back SMV Sign High Vis. – 12 pack | \$12.75 |
| AP102NS | Decal Only for SMV Sign High Vis. – 12 pack | \$10.95 |
| AP103NS | Metal Back SMV Sign High Vis. – 12 pack | \$15.80 |
| AP105NS | Plastic Back SMV Sign High Vis. – 10 pack | \$13.95 |
| *SMV50 | Spade for SMV Sign (come in any quantity) | \$3.80 |
| *SMV25 | Socket for SMV Sign Holder (come in any quantity) | \$3.25 |

** Inventory stocked at Harriston*

Expedite your orders by emailing your P/O with complete shipping instructions to parts@harcoag.ca



PolyTech Plastic Wear Products

Keeping your equipment operating at peak efficiency is vital in today's agricultural market. Poly Tech manufactures a full line of products including corn head liners, grain tank liners, grain and auger bed trough liners and much more to ensure you always get top performance.

Every one of our products is rigorously tested in real-world conditions and designed to fit perfectly on a wide variety of equipment brands.

We offer a complete line of polymer wear products for plows, combine headers and many other applications. Featured within these pages are some of our most common selling items. If you would like to see a full catalogue please contact your Territory Manager.

Please note, catalogue prices are in U.S. Dollars, so it is best to contact our Parts Department for pricing either through our website or email to parts@harcoag.ca.



QUICK REFERENCE INDEX



**Auger
Tube Liner**



**Deere 200
900/900F**



**200/900
900F Green**



**John Deere
600 Series**



**CIH 1020
Skids**



**Case Auger
Bed Liner**



**JD Auger
Bed Liner**



**Case 1020
Feed Plate**



**Grain
Grabber 2**



**Tru Tube
Tool**



**Poly Clean
Out Door**



**Clean Grain
Elevator Auger
Cover**



**Stubble
Stoppers**



**Stalk Stomper
Replacement Shoes**



**Case Corn
Head Liners**



**Strip-Till
Accessories**



**Poly Moldboard
Cover**



Drill Drain



**Sprayer
Nozzles**



**RFM
Coil Wheels**

COMBINE

CORN HEAD

TILLAGE

SPRING

PEANUT

COTTON

HAY

HARDWARE

MATERIAL

TOOLS/SAFETY



CIH Stabilizer Cover



New Holland Skids



Mac Don Skids



AGCO Skids



Feeder House Kit



Poly Auger Fingers



Grain Tank Liners



AGCO Grain Tank Liner



Auger Trough Liners



Poly Auger Wear Shoes



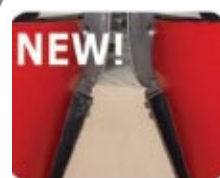
JD Corn Head Liners



AGCO Corn Head Liner



Hood Patch Kits



Corn Stalk Guides



Ripper Shins & Covers



Peanut Combine Parts



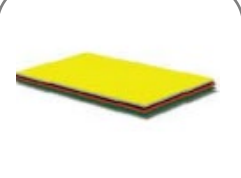
Cotton Picker Parts



Poly Pick-Up Bands



Hardware



Poly Last™ Sheets