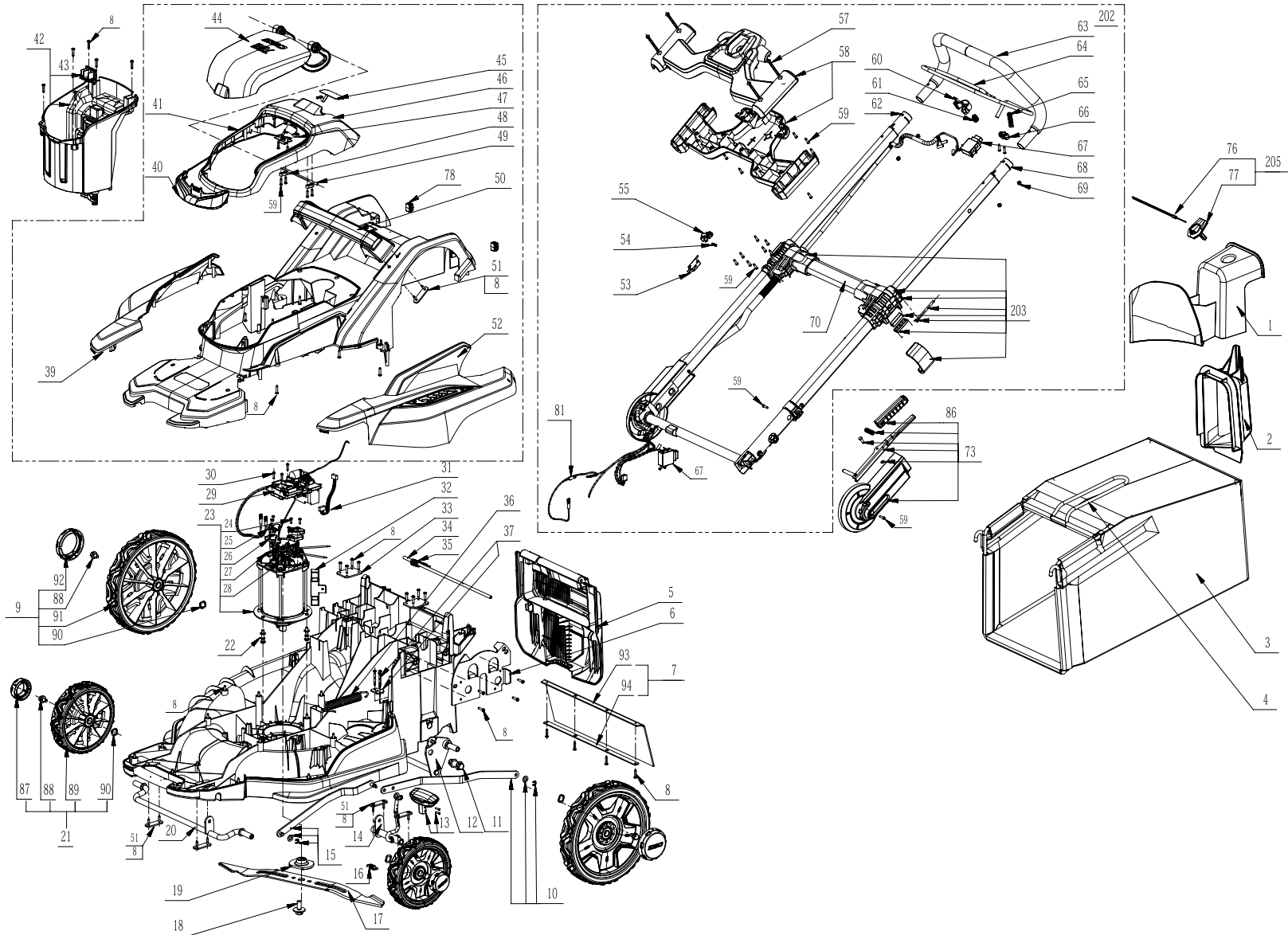




Product Description:Lawn Mower  
Model Number:LM2000  
Body Number:100000001\_S  
Version: A  
Issue Date: 2022/08/22



## Service Part List\_LM2000\_Vervion A

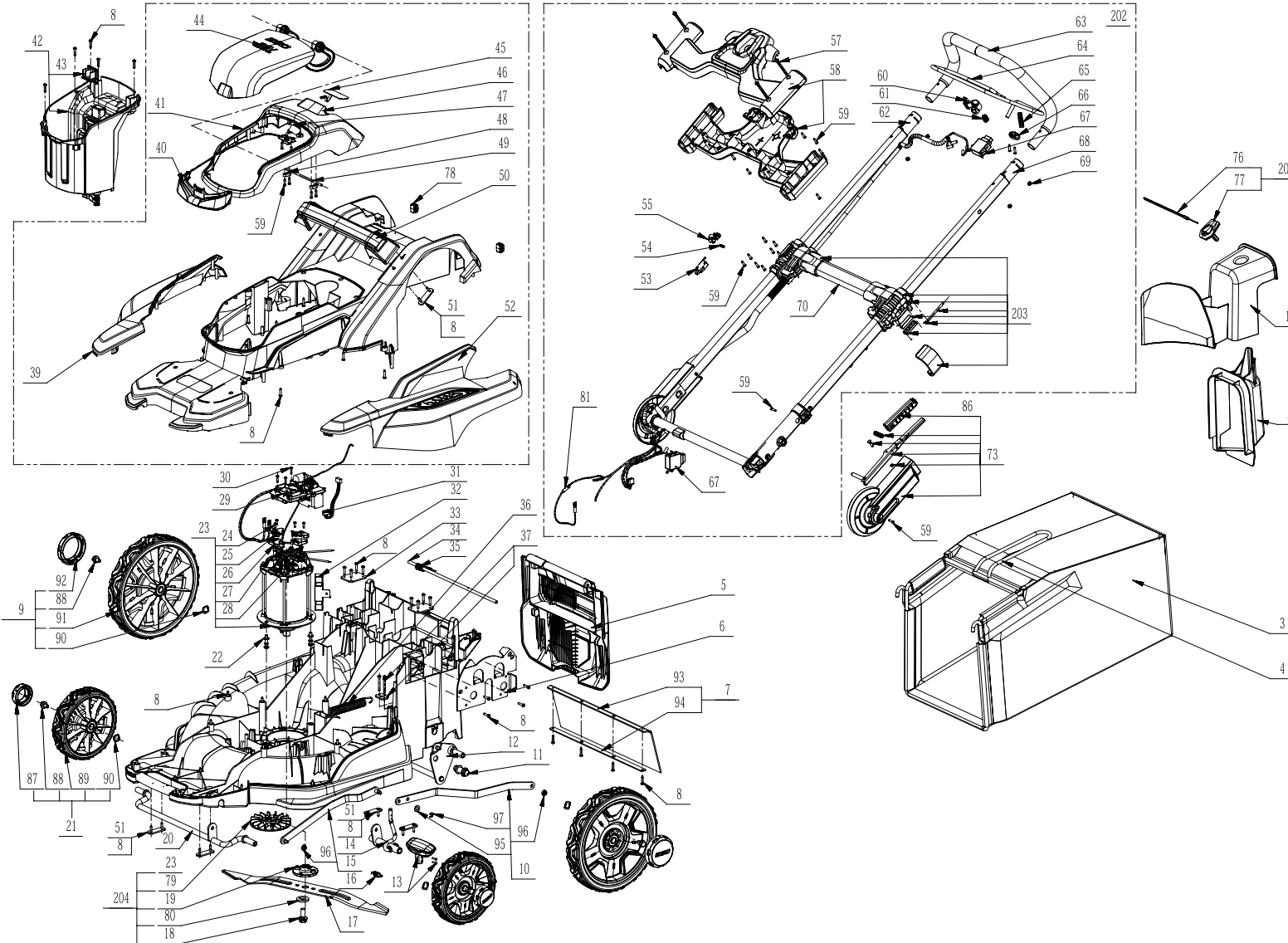
No.	Product Model#	Part Number	Description	Qty
1	LM2000	3126762001	Mulch Plug	1
2	LM2000	3126785002	Side Discharge Chute	1
3	LM2000	3800095004	Grass bag	1
4	LM2000	3705442002	Bag Frame	1
5	LM2000	3126689003	Rear Cover	1
6	LM2000	3705438001	Mounting Plate	1
7	LM2000	2823760001	Trail Shield Set	1
8	LM2000	5610042014	Tapping Screw	81
9	LM2000	2823765001	Rear Wheel Set	2
10	LM2000	2823774001	Rear Connecting Rod Set	1
11	LM2000	2823776001	Rear Axle Screw Set	2
12	LM2000	2823439001	Rear Axle Set	1
13	LM2000	2823707001	Height Adjusting Lever	1
14	LM2000	2823763001	Height Adjusting Bar ASSY	1
15	LM2000	2823773001	Front Connecting Rod Set	1
16	LM2000	3660558001	Tension Spring	1
17	LM2000	3705369001	Blade	1
18	LM2000	5640157001	Screw with Washer	1
19	LM2000	3520721001	Motor Bushing	1
20	LM2000	2823468001	Front Axle Set	1
21	LM2000	2823764001	Front Wheel Set	2
22	LM2000	5640217002	Bolt and Washer Set	3
23	LM2000	2825356001	DC Motor ASSY	1
24	LM2000	5610022001	Tapping Screw	8
25	LM2000	3126579001	Brush Clamp	2
26	LM2000	3126564001	Brush Clamp	2
27	LM2000	2823425001	Brush Set (red)	1
28	LM2000	2823424001	Brush Set (black)	1
29	LM2000	2830052002	PCB Assembly	1
30	LM2000	5610024008	Tapping Screw	4
31	LM2000	4930490001	Wiring Harness	1
32	LM2000	4970295001	Resistor	1

No.	Product Model#	Part Number	Description	Qty
33	LM2000	3705440001	Clamp	2
34	LM2000	5670345001	Shaft	1
35	LM2000	3660559001	Torsion Spring	1
36	LM2000	3660557001	Tension Spring	1
37	LM2000	2823777001	Spring Clamp Set	1
39	LM2000	3126733001	Right Cover	1
40	LM2000	2823665001	Lamp Holder	1
41	LM2000	3126793002	Decorate Cover	1
42	LM2000	2823667002	Battery box ASSY	1
43	LM2000	3402724001	Contact Receptacle ASSY	1
44	LM2000	2823661001	Battery Cover ASSY	1
45	LM2000	4870499003	Film Switch	1
46	LM2000	3126766001	Guard	1
47	LM2000	3126780001	Guard	1
48	LM2000	3122798001	Cord Anchorage	2
49	LM2000	5670343001	Pin	1
50	LM2000	3126690001	Upper Handle	1
51	LM2000	3705398001	Mounting Plate	6
52	LM2000	2823779001	Left Cover ASSY	1
53	LM2000	4870500001	Micro Switch	1
54	LM2000	3660287002	Spring	1
55	LM2000	3126768001	Switch Actuator	1
57	LM2000	5610064005	Hexagon Socket Screw	4
58	LM2000	2823761001	Switch Box Set	1
59	LM2000	5610032004	Tapping Screw	61
60	LM2000	3126787001	Switch Actuator	1
61	LM2000	3660011002	Spring	1
62	LM2000	2823781001	Right Inner Tube ASSY	1
63	LM2000	2823782001	Sheath ASSY	1
64	LM2000	3705372001	Control Handle	1
65	LM2000	3660562001	Compression Spring	1
66	LM2000	3126763001	Clamp	1
67	LM2000	4870501002	Push Switch	2
68	LM2000	2823082001	Left Inner Tube ASSY	1

No.	Product Model#	Part Number	Description	Qty
69	LM2000	5630006002	Prevailing Torque Hexagon Nut	4
70	LM2000	3705393001	Intermedium Tube	1
73	LM2000	2823762001	Handle Lever Set	1
76	LM2000	3800096001	Strap	1
77	LM2000	3126776001	Key	1
78	LM2000	3127738001	Rubber Gasket	2
81	LM2000	4970299001	fuse	1
86	LM2000	3126438001	Handle Sleeve	1
87	LM2000	3126769001	Hubcap	2
88	LM2000	5640010003	Hexagon Flange Bolt	4
89	LM2000	2823662001	Wheel Assembly	2
90	LM2000	5650453001	Wave Washer	4
91	LM2000	2823663001	Wheel Assembly	2
92	LM2000	3126765001	Hubcap	2
93	LM2000	3127083001	Trail Shield	1
94	LM2000	3705441001	Plate	1
202	LM2000	2823477003	Handle Assy	1
203	LM2000	2825320001	Handle Cover ASSY	1
205	LM2000	2822802001	Key Set	1



Product Description:Lawn Mower  
Model Number:LM2000-S  
Body Number:100000003\_S  
Version: A  
Issue Date: 2022/08/22



## Service Part List\_LM2000-S\_Vervion A

No.	Product Model#	Part Number	Description	Qty
1	LM2000-S	3126762001	Mulch Plug	1
2	LM2000-S	3126785002	Side Discharge Chute	1
3	LM2000-S	3800095004	Grass bag	1
4	LM2000-S	3705442002	Bag Frame	1
5	LM2000-S	3126689003	Rear Cover	1
6	LM2000-S	3705438001	Mounting Plate	1
7	LM2000-S	2823760001	Trail Shield Set	1
8	LM2000-S	5610042014	Tapping Screw	81
9	LM2000-S	2823765001	Rear Wheel Set	2
10	LM2000-S	2823774002	Rear Connecting Rod Set	1
11	LM2000-S	2823776001	Rear Axle Screw Set	2
12	LM2000-S	2825030001	Rear Axle Set	1
13	LM2000-S	2823707001	Height Adjusting Lever	1
14	LM2000-S	2823763001	Height Adjusting Bar ASSY	1
15	LM2000-S	2823773002	Front Connecting Rod Set	1
16	LM2000-S	3660558001	Tension Spring	1
17	LM2000-S	3705369001	Blade	1
18	LM2000-S	5640226001	Screw	1
19	LM2000-S	3520852002	Motor Bushing	1
20	LM2000-S	2823468001	Front Axle Set	1
21	LM2000-S	2823764001	Front Wheel Set	2
22	LM2000-S	5640217002	Bolt and Washer Set	3
23	LM2000-S	2823675003	DC Motor ASSY	1
24	LM2000-S	5610022001	Tapping Screw	8
25	LM2000-S	3126579001	Brush Clamp	2
26	LM2000-S	3126564001	Brush Clamp	2
27	LM2000-S	2823425001	Brush Set (red)	1
28	LM2000-S	2823424001	Brush Set (black)	1
29	LM2000-S	2830052002	PCB Assembly	1
30	LM2000-S	5610024008	Tapping Screw	4
31	LM2000-S	4930490001	Wiring Harness	1
32	LM2000-S	4970295001	Resistor	1

No.	Product Model#	Part Number	Description	Qty
33	LM2000-S	3705440001	Clamp	2
34	LM2000-S	5670345001	Shaft	1
35	LM2000-S	3660559001	Torsion Spring	1
36	LM2000-S	3660557001	Tension Spring	1
37	LM2000-S	2823777001	Spring Clamp Set	1
39	LM2000-S	3126733001	Right Cover	1
40	LM2000-S	2823665001	Lamp Holder	1
41	LM2000-S	3126793002	Decorate Cover	1
42	LM2000-S	2823667002	Battery box ASSY	1
43	LM2000-S	3402724001	Contact Receptacle ASSY	1
44	LM2000-S	2823661001	Battery Cover ASSY	1
45	LM2000-S	4870499003	Film Switch	1
46	LM2000-S	3126766001	Guard	1
47	LM2000-S	3126780001	Guard	1
48	LM2000-S	3122798001	Cord Anchorage	2
49	LM2000-S	5670343001	Pin	1
50	LM2000-S	3126690001	Upper Handle	1
51	LM2000-S	3705398001	Mounting Plate	6
52	LM2000-S	2823779001	Left Cover ASSY	1
53	LM2000-S	4870500001	Micro Switch	1
54	LM2000-S	3660287002	Spring	1
55	LM2000-S	3126768001	Switch Actuator	1
57	LM2000-S	5610064005	Hexagon Socket Screw	4
58	LM2000-S	2823761001	Switch Box Set	1
59	LM2000-S	5610032004	Tapping Screw	61
60	LM2000-S	3126787001	Switch Actuator	1
61	LM2000-S	3660011002	Spring	1
62	LM2000-S	2823781001	Right Inner Tube ASSY	1
63	LM2000-S	2823782001	Sheath ASSY	1
64	LM2000-S	3705372001	Control Handle	1
65	LM2000-S	3660562001	Compression Spring	1
66	LM2000-S	3126763001	Clamp	1
67	LM2000-S	4870501002	Push Switch	2
68	LM2000-S	2823082001	Left Inner Tube ASSY	1

No.	Product Model#	Part Number	Description	Qty
69	LM2000-S	5630006002	Prevailing Torque Hexagon Nut	4
70	LM2000-S	3705393001	Intermedium Tube	1
73	LM2000-S	2823762001	Handle Lever Set	1
76	LM2000-S	3800096001	Strap	1
77	LM2000-S	3126776001	Key	1
78	LM2000-S	3127738001	Rubber Gasket	2
79	LM2000-S	3127847001	fan	1
80	LM2000-S	5650510001	washer	1
81	LM2000-S	4970299001	fuse	1
86	LM2000-S	3126438001	Handle Sleeve	1
87	LM2000-S	3126769001	Hubcap	2
88	LM2000-S	5640010003	Hexagon Flange Bolt	4
89	LM2000-S	2823662001	Wheel Assembly	2
90	LM2000-S	5650453001	Wave Washer	4
91	LM2000-S	2823663001	Wheel Assembly	2
92	LM2000-S	3126765001	Hubcap	2
93	LM2000-S	3127083001	Trail Shield	1
94	LM2000-S	3705441001	Plate	1
95	LM2000-S	5650025004	Plain Washer	1
96	LM2000-S	5630013003	Prevailing Torque Hexagon Nut	2
97	LM2000-S	5660139002	E Ring	1
202	LM2000-S	2823477003	Handle Assy	1
203	LM2000-S	2825320001	Handle Cover ASSY	1
204	LM2000-S	2825356001	Motor ASSY	1
205	LM2000-S	2822802001	Key Set	1