

Parts Manual

# ED202

Edger





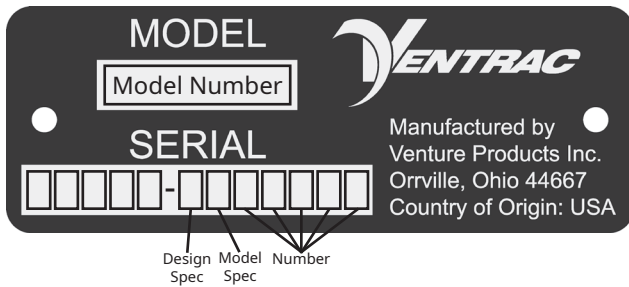
500 Venture Drive  
Orrville Oh 44667  
www.ventrac.com

[View all manuals](#)



Visit [ventrac.com/manuals](http://ventrac.com/manuals) for the latest version of this parts manual. A downloadable operator's manual is also available.

### Serial Number Description



### Notes

- If any component requires replacement, use only original Ventrac replacement parts.
- When ordering new components, be sure to order all required safety decals. All current safety decals must be affixed to the replacement components prior to installation of the component.

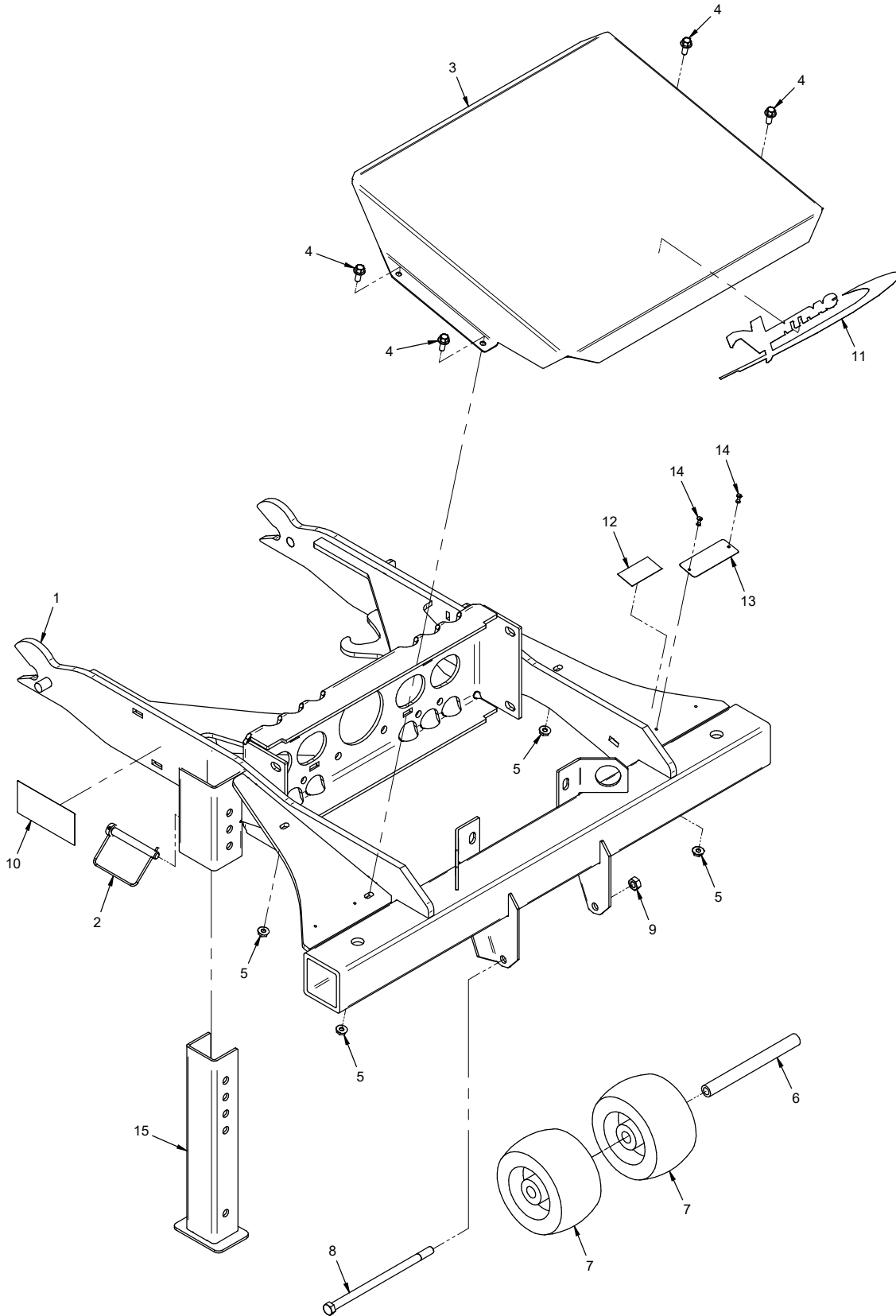
# TABLE OF CONTENTS

---

<b>PARTS</b>	<b>PAGE 4</b>
Main Frame .....	4
Gauge Wheel .....	6
Disc Mount Frame .....	8
Optional Blower Frame & Inlet Screens .....	10
Optional Blower Housing .....	12
Optional Blower Drive Frame & Shields .....	14
Optional Blower Drive Shaft .....	16
Optional Blower Fan (D-Hex Spline Pulley & Spindle Shaft) .....	18
Optional Blower Fan (Keyed Pulley & Spindle Shaft) .....	20

# PARTS

## ILLUSTRATED DRAWING Main Frame



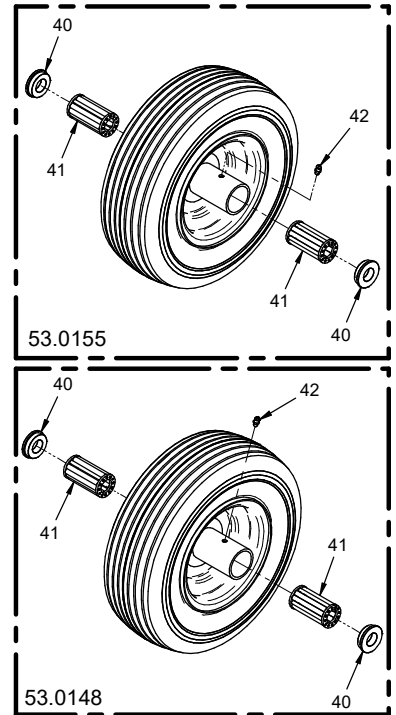
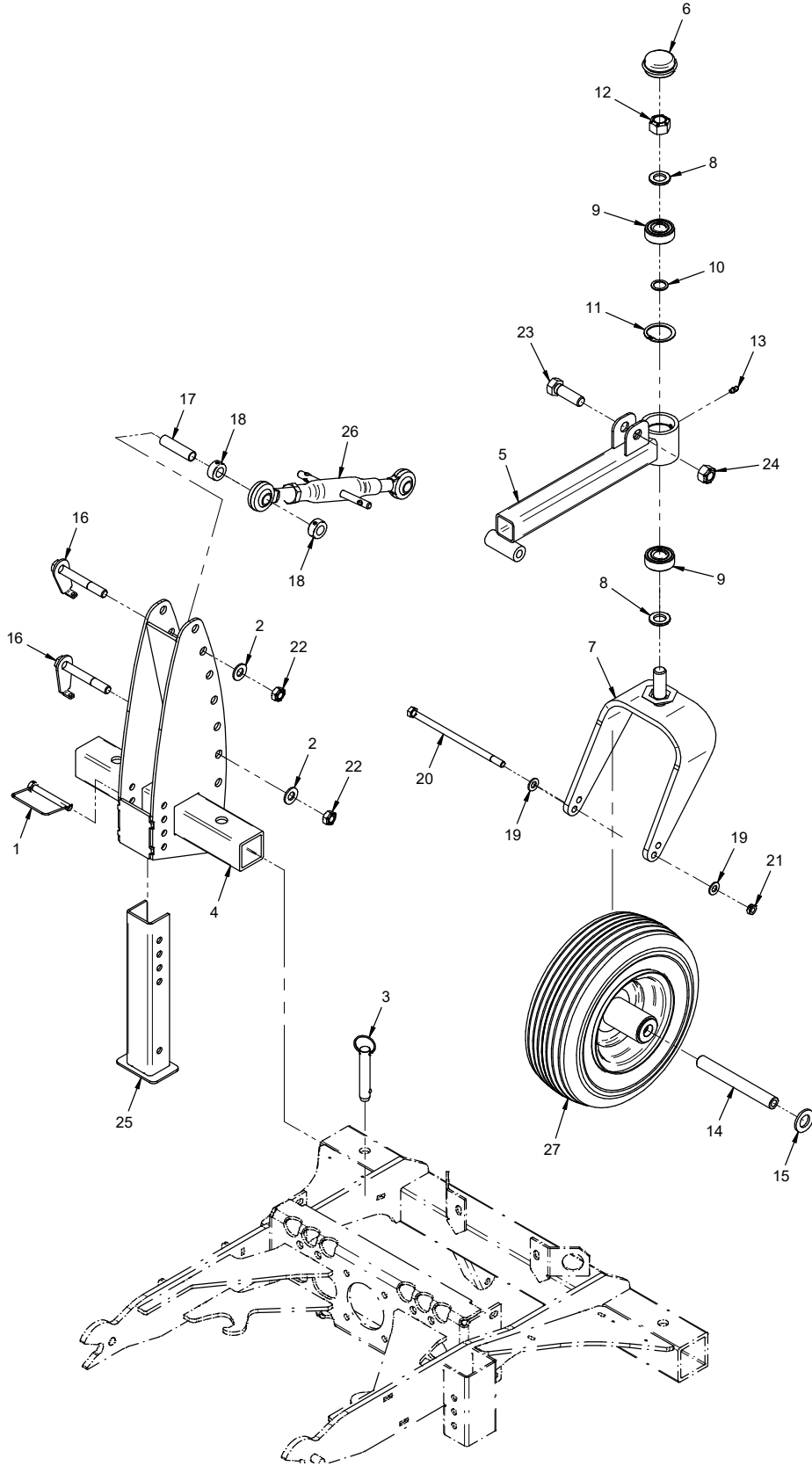
# PARTS

## Main Frame

REF.	PART NO.	DESCRIPTION	QTY.
1	62.1466	.FRAME, MAIN ED202	1
2	03.0015	.PIN, SAFETY SNAP 3/8 X 3"	1
3	60.0861	.SHIELD, MAIN COVER	1
4	99.SF0405-1	.BOLT, SMF 1/4-20 X 5/8	4
5	99.SF04	.NUT, SRF 1/4-20 USS	4
6	50.0170	.TUBE, RD .385 X 5/8 X 6-1/4L	1
7	50.0060	.ROLLER, 5 X 2.75 X 5/8 BORE	2
8	90.0656	.BOLT, 3/8-16 USS X 7	1
9	99.A06	.LOCKNUT, STOVER 3/8-16 USS	1
10	00.0217	.DECAL, WARNING READ OWNERS MAN (Serial # 01001-02704)	1
10	00.0619	.DECAL, READ OPERATOR'S MANUAL (Serial # 02705-)	1
11	00.0189	.DECAL, VENTRAC ORBITAL	1
12	00.0100	.DECAL, MADE IN USA	1
13	N/A	.PLATE, VENTRAC SERIAL NUMBER	1
14	04.0032	.RIVET, POP 1/8 X 1/2	2
15	62.1027	.STAND, JACK EA600	1

# PARTS

## ILLUSTRATED DRAWING Gauge Wheel



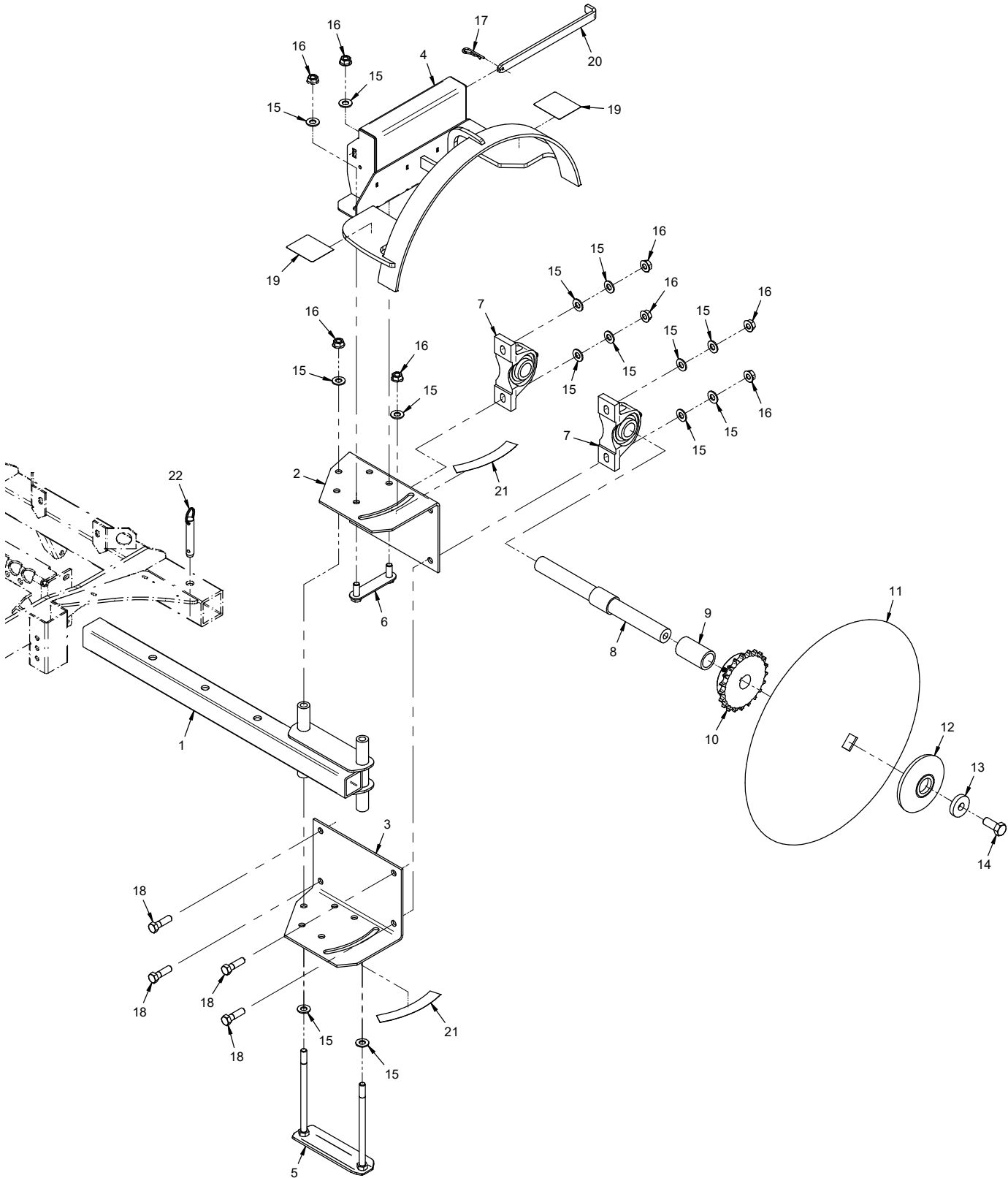
# PARTS

## Gauge Wheel

REF.	PART NO.	DESCRIPTION	QTY.
1	03.0015	.PIN, SAFETY SNAP 3/8 X 3"	1
2	95.08	.WASHER, FLAT 1/2 SAE	2
3	03.0013	.PIN, BALL, 5/8 X 2-1/2	1
4	62.1467	.FRAME, GAUGE WHEEL MOUNT	1
5	62.0972	.TUBE, CASTER WHEEL MOUNT	1
6	53.0080	.DUST CAP, BEARING MOWER CASTER	1
7	50.0183	.YOKE, CASTER 13", HIGH/LOW	1
8	99.B0057-2	.WASHER, MACH 3/4 X 1-1/4 10 GA	2
9	55.0023	.BEARING, BALL .75 ID X 1.78 OD	2
10	99.B0052	.SHIM, STEEL 3/4 X 1 X .062	1
11	04.0013	.SNAP RING, INT .062 X 1.75	1
12	99.A12NF	.LOCKNUT, STOVER 3/4-16 SAE	1
13	29.GF0001	.GREASE FTG, 1/4 SAE ST	1
14	50.0050	.TUBE, SWIVEL AXLE	1
15	95.12	.WASHER, FLAT 3/4 SAE	1
16	64.1072	.BOLT, WHEEL ADJUST ANCHOR	2
17	50.0171	.TUBE, RD .527 X 5/8 X 2-13/32L	1
18	85.SC11	.SET COLLAR, 11/16	2
19	95.06	.WASHER, FLAT 3/8 SAE	2
20	90.0660	.BOLT, 3/8-16 USS X 7-1/2	1
21	99.A06C	.LOCKNUT, CENTER 3/8-16	1
22	99.A08	.LOCKNUT, STOVER 1/2-13 USS	2
23	90.1016	.BOLT, 5/8-11 UNC X 2	1
24	99.A10	.LOCKNUT, STOVER 5/8-11 USS	1
25	62.1027	.STAND, JACK EA600	1
26	47.0222	.TOP LINK, CAT. #0, ADJUSTABLE	1
27	53.0155	.WHEEL, ASM 13 X 5 X 6 CASTER	1
27	53.0148	.WHEEL, ASM 13x5x6 RIB FLATFREE (Optional)	1
40	55.0072	.BEARING, RETAINER 3/4"	2
41	55.0088	.BEARING, ROLLER REPLACEMENT	2
42	29.GF0001	.GREASE FTG, 1/4 SAE ST	1

# PARTS

## ILLUSTRATED DRAWING Disc Mount Frame





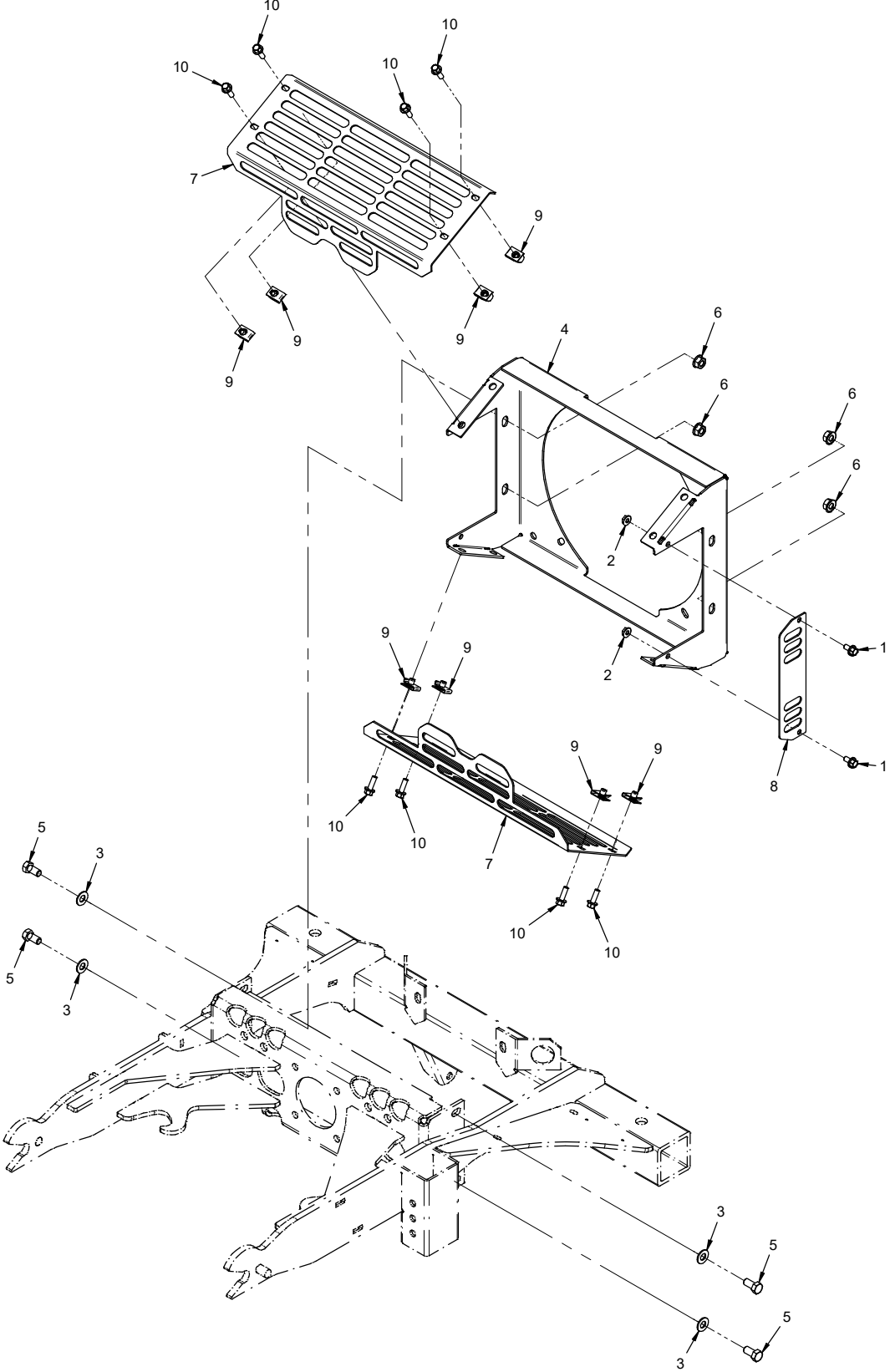
# PARTS

## Disc Mount Frame

REF.	PART NO.	DESCRIPTION	QTY.
1	62.0971	.FRAME, DISC MOUNT TUBE	1
2	62.1487	.FRAME, DISC BEARING MT OUTER	1
3	62.1488	.FRAME, DISC BEARING MT INNER	1
4	62.1468	.FRAME, WEIGHT BAR/DISC GUARD	1
5	64.1070	.CLAMP, DISC ADJUSTER LOCK	1
6	64.1071	.CLAMP, DISC GUARD	1
7	55.PB25020	.BEARING, PILLOW BLOCK, 1-1/4	2
8	80.0342	.SHAFT, DISC MOUNT	1
9	64.1069	.PIPE, SCH 40 1-1/4 X 2-7/8	1
10	83.H602120	.SPROCKET, #60 21T, 1-1/4 BORE	1
11	79.0066	.DISC, 20" 1-1/4 SQ HOLE	1
12	64.1067	.WASHER, 3/8 X 1.375 X 5	1
13	99.B0081	.WASHER, 3/8 X .656 X 1.875	1
14	90.1012	.BOLT, HEX 5/8-11 UNC X 1-1/2	1
15	95.08	.WASHER, FLAT 1/2 SAE	14
16	99.SF08	.NUT, SRF 1/2-13 USS	8
17	02.HP0416	.HAIRPIN, 1/8 X 2	1
18	90.0814	.BOLT, 1/2-13 USS X 1-3/4	4
19	00.0123	.DECAL, KEEP HANDS & FEET CLEAR (Serial # 01001-02704)	2
19	00.0624	.DECAL, CUTTING HAZARD HANDS AND FEET (Serial # 02705-)	2
20	64.1312	.PIN, WEIGHT RETAINER	1
21	00.0429	.DECAL, EDGER ANGLE INDICATOR	1
22	03.0013	.PIN, BALL, 5/8 X 2-1/2	1

# PARTS

## ILLUSTRATED DRAWING Optional Blower Frame & Inlet Screens



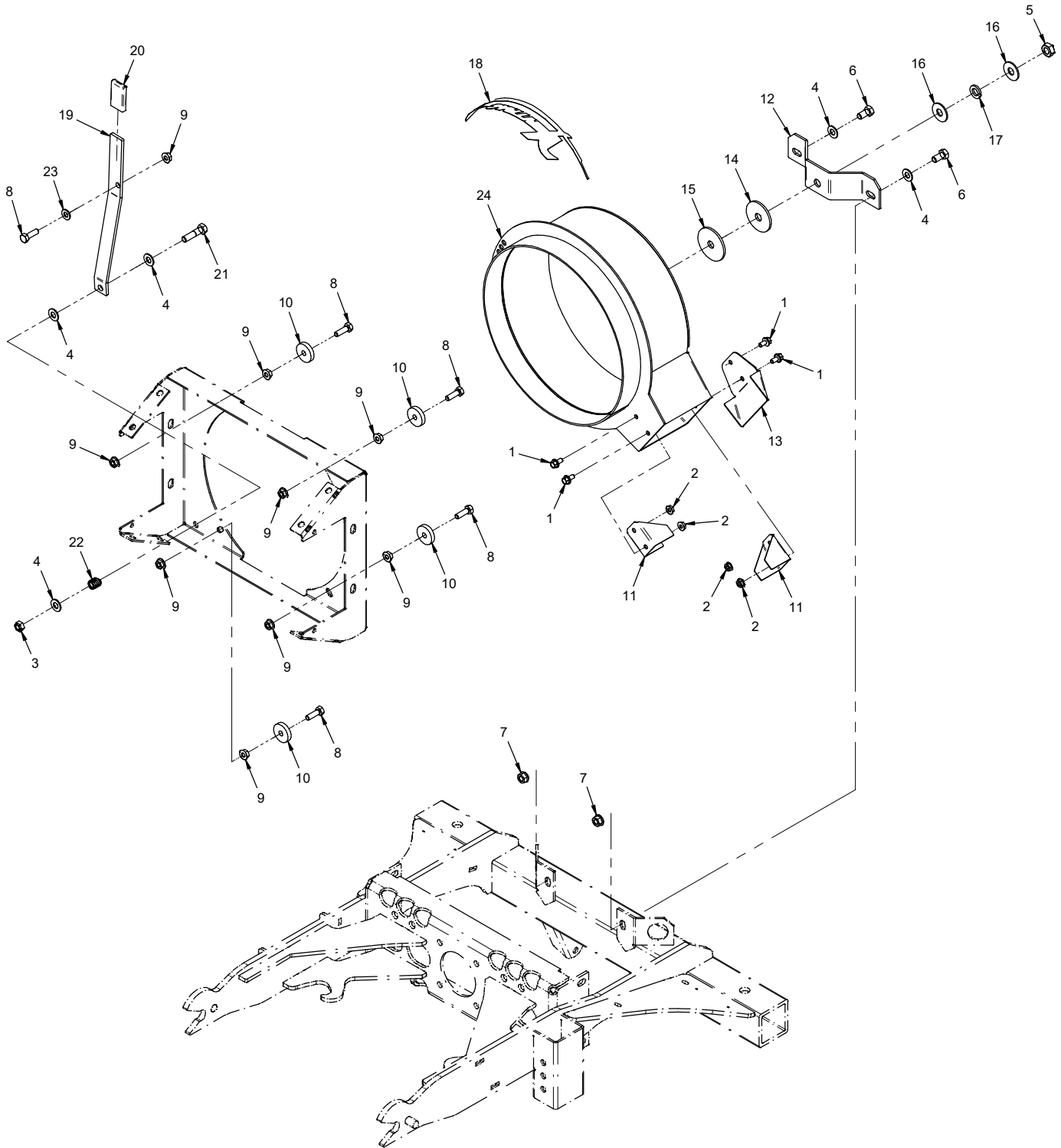
# PARTS

## Optional Blower Frame & Inlet Screens

REF.	PART NO.	DESCRIPTION	QTY.
1	99.SF0404-1	.BOLT, SMF 1/4-20 X 1/2	2
2	99.SF04	.NUT, SRF 1/4-20 USS.	2
3	95.06	.WASHER, FLAT 3/8 SAE	4
4	62.0974	.FRAME, AIR INLET	1
5	90.0606	.BOLT, HEX 3/8-16 UNC X 3/4.	4
6	99.SF06	.NUT, SRF 3/8-16 USS.	4
7	60.0863	.SCREEN, FAN INLET.	2
8	60.0864	.SHIELD, RIGHT SIDE INTAKE	1
9	99.E0046	.NUT, "U" 1/4-20 EXTRUDED	8
10	99.SF0406-1	.BOLT, SMF 1/4-20 X 3/4	8

# PARTS

## ILLUSTRATED DRAWING Optional Blower Housing



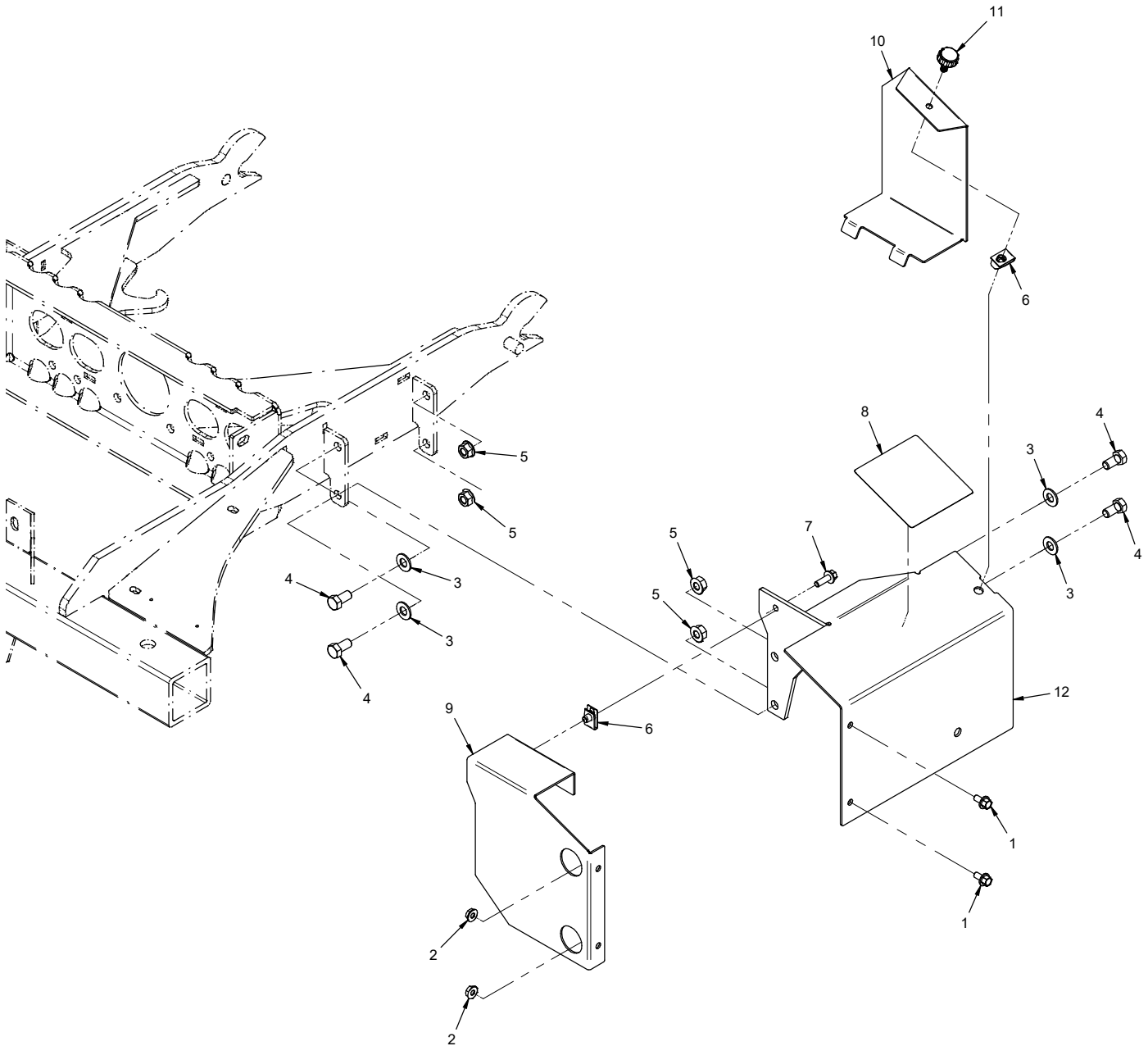
# PARTS

## Optional Blower Housing

REF.	PART NO.	DESCRIPTION	QTY.
1	99.SF0404-1	.BOLT, SMF 1/4-20 X 1/2	4
2	99.SF04	.NUT, SRF 1/4-20 USS	4
3	99.A06	.LOCKNUT, STOVER 3/8-16 USS	1
4	95.06	.WASHER, FLAT 3/8 SAE	5
5	99.A08	.LOCKNUT, STOVER 1/2-13 USS	1
6	90.0606	.BOLT, HEX 3/8-16 UNC X 3/4	2
7	99.SF06	.NUT, SRF 3/8-16 USS	2
8	90.0508	.BOLT, HEX 5/16-18 UNC X 1"	5
9	99.SF05	.NUT, SRF 5/16-18 USS	9
10	05.0069	.WASHER, NYLON	4
11	64.1073	.GUARD, FAN OUTLET	2
12	64.1075	.BRACKET, FRONT BLOWER MT	1
13	64.1199	.BRACKET, AIR DEFLECTOR	1
14	99.B0080	.WASHER, 17/32 X 2-1/16 10GA	1
15	05.0098	.WASHER, 1/2ID X 2-1/4OD 1/8THK	1
16	94.07	.WASHER, FLAT 7/16 USS	2
17	96.08	.WASHER, LOCK 1/2	1
18	00.0189	.DECAL, VENTRAC ORBITAL	1
19	64.1074	.ARM, ROTATION INDEX	1
20	06.0051	.CAP, 3/16 X 15/16 X 1-3/4 FE	1
21	90.0612	.BOLT, HEX 3/8-16 UNC X 1-1/2	1
22	41.0039	.SPRING, COMP. 9/16 OD X 5/8	1
23	95.05	.WASHER, FLAT 5/16 SAE	1
24	62.0975	.HOUSING, BLOWER	1

# PARTS

## ILLUSTRATED DRAWING Optional Blower Drive Frame & Shields



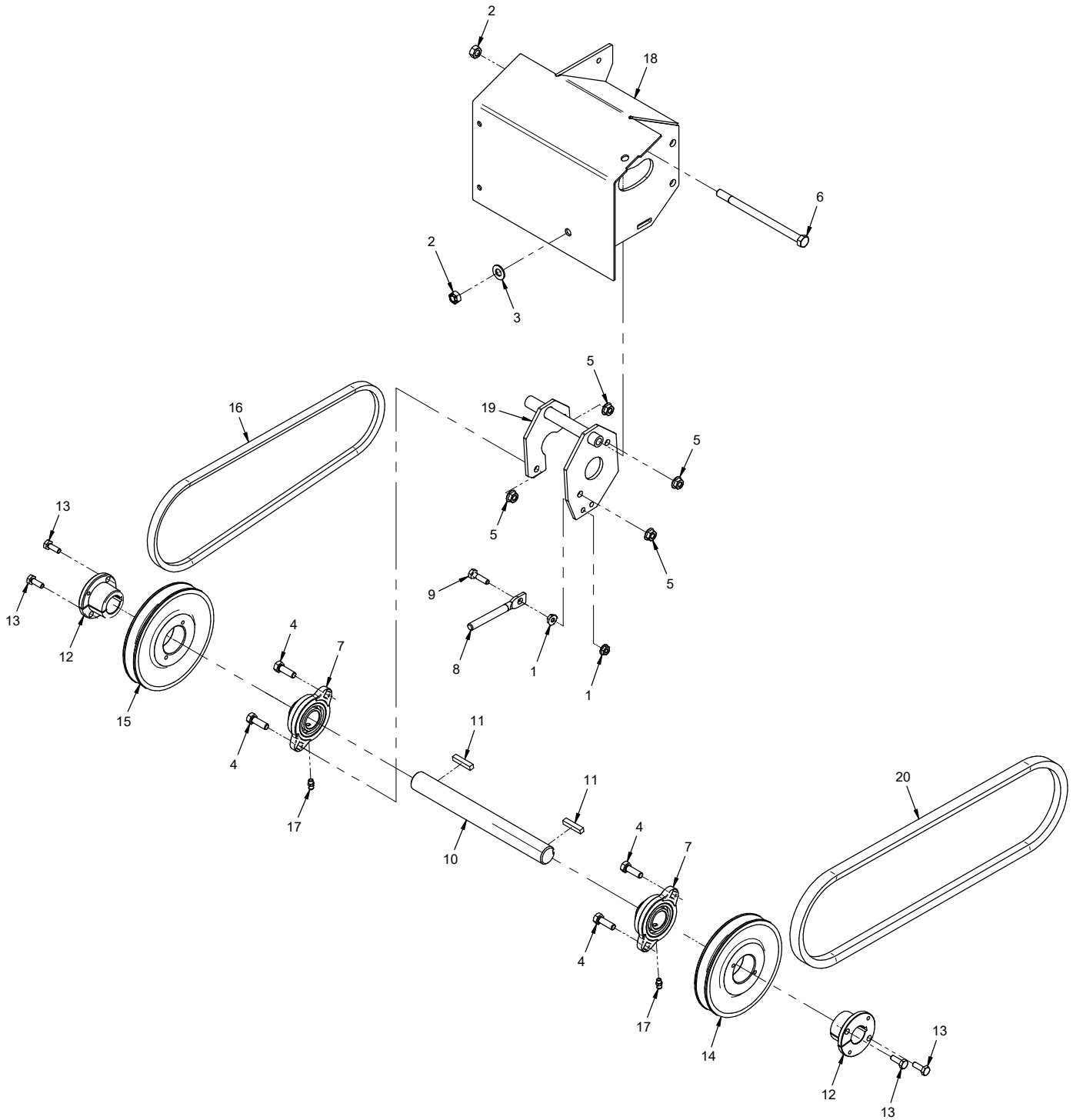
# PARTS

## Optional Blower Drive Frame & Shields

REF.	PART NO.	DESCRIPTION	QTY.
1	99.SF0404-1	.BOLT, SMF 1/4-20 X 1/2	2
2	99.SF04	.NUT, SRF 1/4-20 USS.	2
3	95.06	.WASHER, FLAT 3/8 SAE	4
4	90.0606	.BOLT, HEX 3/8-16 UNC X 3/4.	4
5	99.SF06	.NUT, SRF 3/8-16 USS.	4
6	99.E0046	.NUT, "U" 1/4-20 EXTRUDED	2
7	99.SF0406-1	.BOLT, SMF 1/4-20 X 3/4	1
8	00.0101	.DECAL, HAZARD-MOVING PART (Serial # 01001-02704)	1
8	00.0626	.DECAL, ENTANGLEMENT HAZARD (Serial # 02705-)	1
9	60.0862	.SHIELD, FRONT J-SHAFT HOUSING	1
10	60.0865	.SHIELD, DRIVE PULLEY	1
11	47.0167	.KNOB, 1/4-20 X 1-1/4 DIA BLACK	1
12	62.0976	.FRAME, J-SHAFT HOUSING	1

# PARTS

## ILLUSTRATED DRAWING Optional Blower Drive Shaft





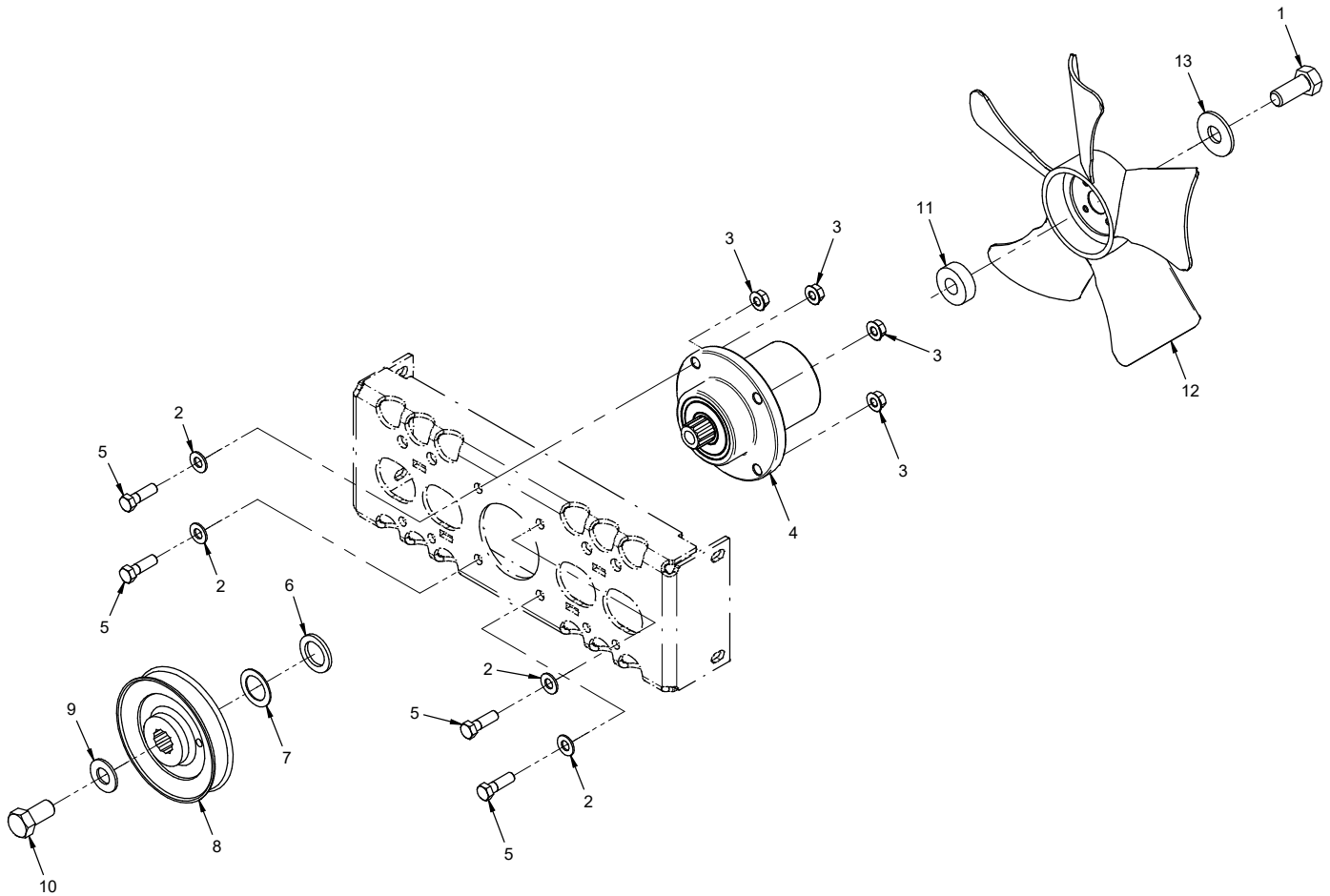
# PARTS

## Optional Blower Drive Shaft

REF.	PART NO.	DESCRIPTION	QTY.
1	99.SF04	NUT, SRF 1/4-20 USS	2
2	99.A06	LOCKNUT, STOVER 3/8-16 USS	2
3	95.06	WASHER, FLAT 3/8 SAE	1
4	90.0508	BOLT, HEX 5/16-18 UNC X 1"	4
5	99.SF05	NUT, SRF 5/16-18 USS	4
6	90.0648	BOLT, HEX 3/8-16 UNC X 6	1
7	55.FB16016-1	BEARING, FLANGE BLOCK 1"	2
8	99.K0113	BOLT, HANGER 3/8-16 X 5	1
9	90.0408	BOLT, HEX 1/4-20 UNC X 1"	1
10	80.0343	SHAFT, TGP A X 9-1/2L	1
11	85.K0410	KEY, 1/4 X 1-1/4	2
12	83.H16S	BUSHING, 1" SPLIT 1/4" KEY	2
13	90.0406	BOLT, 1/4-20 USS X 3/4"	4
14	83.BK55H	PULLEY, 5.5" H-BUSHING	1
15	83.BK60H	PULLEY, 6" H-BUSHING	1
16	81.AX037	BELT, AX37	1
17	29.GF0001	GREASE FTG, 1/4 SAE ST	2
18	62.0976	FRAME, J-SHAFT HOUSING	1
19	62.0977	MOUNT, BEARING FRAME	1
20	81.B046	BELT, B46R	1

# PARTS

## ILLUSTRATED DRAWING Optional Blower Fan (D-Hex Spline Pulley & Spindle Shaft)



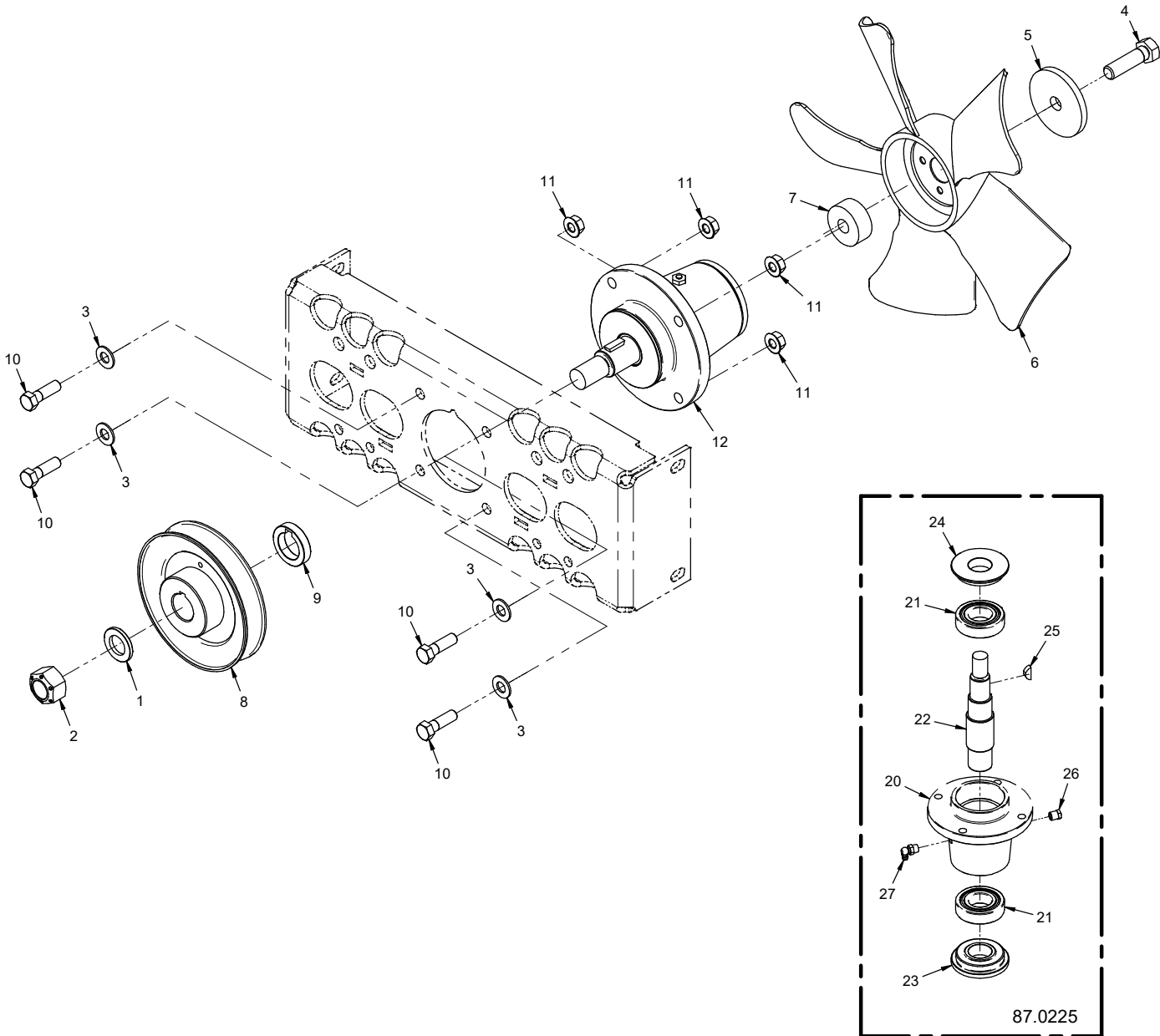
# PARTS

## Optional Blower Fan (D-Hex Spline Pulley & Spindle Shaft)

REF.	PART NO.	DESCRIPTION	QTY.
1	90.1012	.BOLT, HEX 5/8-11 UNC X 1-1/2	1
2	95.06	.WASHER, FLAT 3/8 SAE	4
3	99.SF06	.NUT, SRF 3/8-16 USS	4
4	87.0214	.SPINDLE, ASM RH D-HEX SHAFT	1
5	90.0610	.BOLT, 3/8-16 USS X 1-1/4	4
6	99.B0015	.WASHER, MACH 1" 10 GA.	1
7	99.B0017	.WASHER, MACH 1" 18GA	1
8	83.0033	.PULLEY, 5.2" D-HEX HUB ON TOP	1
9	95.10	.WASHER, FLAT 5/8 SAE	1
10	90.1010	.BOLT, HEX 5/8-11 UNC X 1-1/4	1
11	85.B0081	.BUSHING, .641 ID X 1.5 OD X .5 THK	1
12	13.0201	.FAN, VANGUARD 290MM	1
13	94.10	.WASHER, FLAT 5/8 USS	1

# PARTS

## ILLUSTRATED DRAWING Optional Blower Fan (Keyed Pulley & Spindle Shaft)



# PARTS

## Optional Blower Fan (Keyed Pulley & Spindle Shaft)

REF.	PART NO.	DESCRIPTION	QTY.
1	99.B0057-2	WASHER, MACH 3/4 X 1-1/4 10 GA ZP	1
2	99.A12NF	LOCKNUT, STOVER 3/4-16 SAE	1
3	95.06	WASHER, FLAT 3/8 SAE	4
4	91.0814-8	BOLT, 1/2-20 X 1-3/4 GR8	1
5	99.B0091	WASHER, .510 ID X 2-1/2 OD 1/4	1
6	13.0201	FAN, VANGUARD 290MM	1
7	85.B0100	BUSHING, .516 ID X 1-1/2 OD X 5/8T	1
8	83.0050	PULLEY, 5-1/8, 25MM STR. BORE	1
9	85.B0080	BUSHING, 1-1/2 OD, 1 ID	1
10	90.0610	BOLT, 3/8-16 USS X 1-1/4	4
11	99.SF06	NUT, SRF 3/8-16 USS	4
12	87.0225	SPINDLE, ASM RH 25MM CI	1
20	87.0225-1	HOUSING, SPINDLE CI	1
21	55.0070	BEARING, 30MM X 62MM X 16MM	2
22	87.0225-2	SHAFT, SPINDLE RH	1
23	87.0224-3	SHIELD, SPINDLE BOTTOM	1
24	87.0225-3	SHIELD, SPINDLE TOP	1
25	85.W0406	KEY, WOODRUFF 1/4 X 3/4, #806 SAE SIZE	1
26	29.GF0017	FITTING, RELIEF	1
27	29.GF0005	GREASE FTG, 1/8 NPT 90	1