



# Husqvarna®

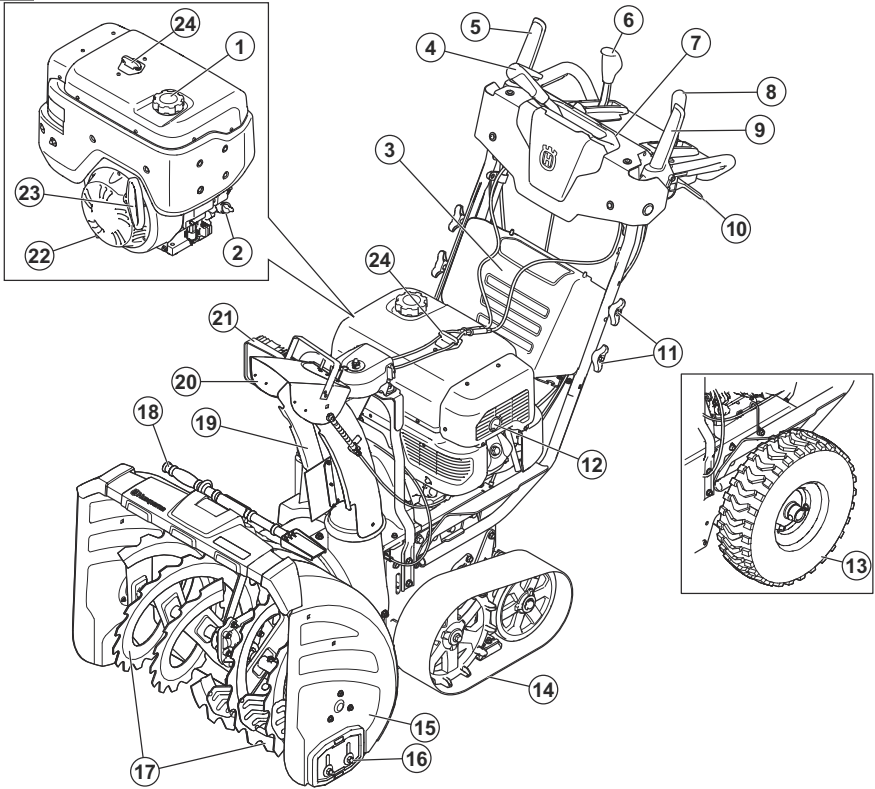


ST 424, ST 427, ST 430, ST 424T, ST  
427T, ST 430T

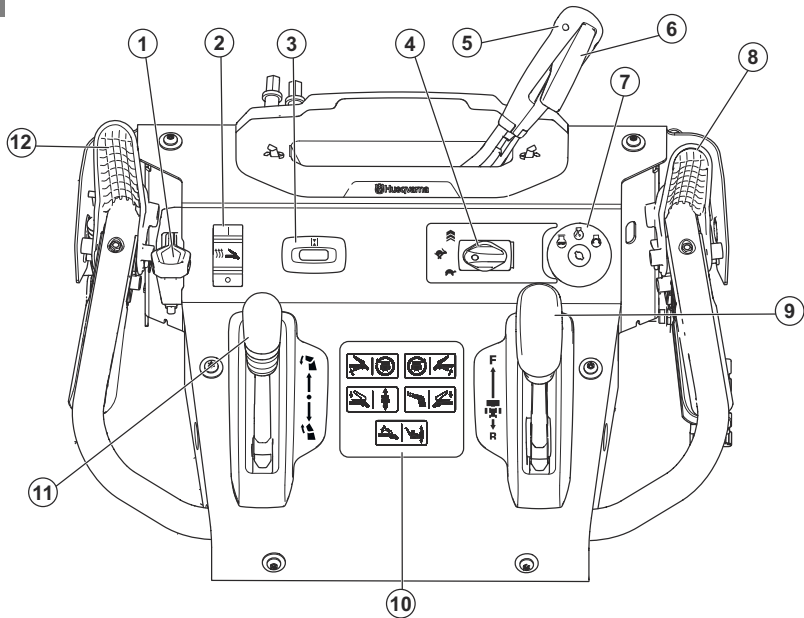
EN	Operator's manual
ES-MX	Manual del usuario
FR-CA	Manuel d'utilisation

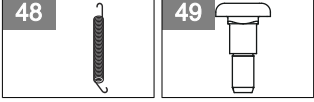
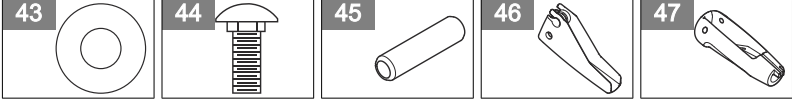
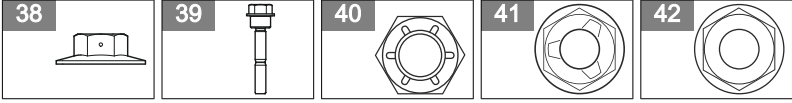
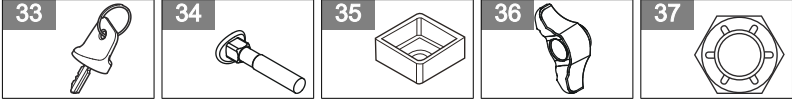
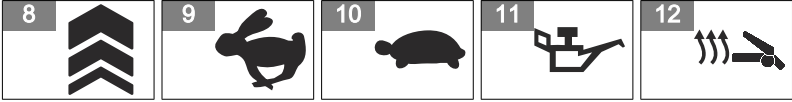
10-32
33-56
57-80

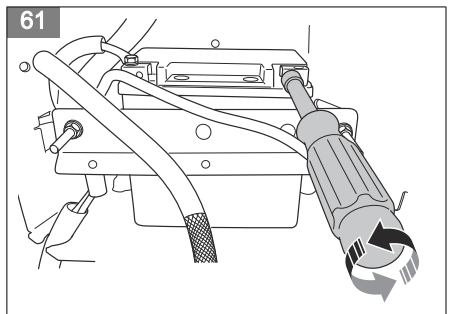
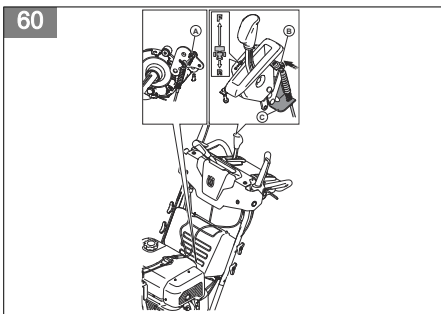
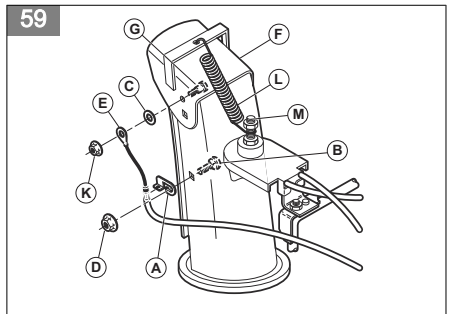
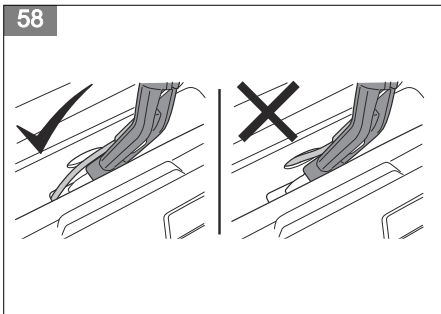
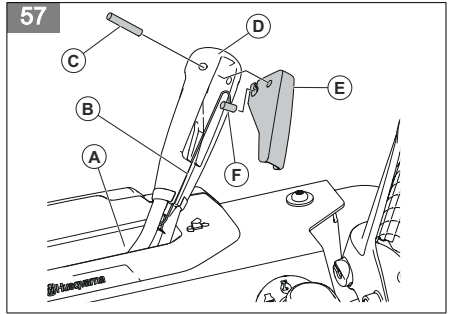
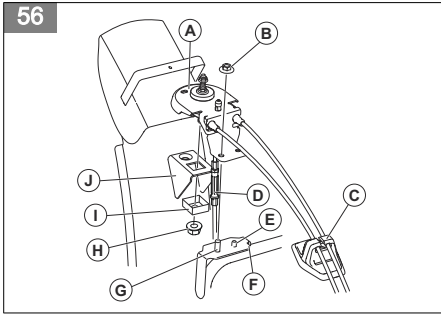
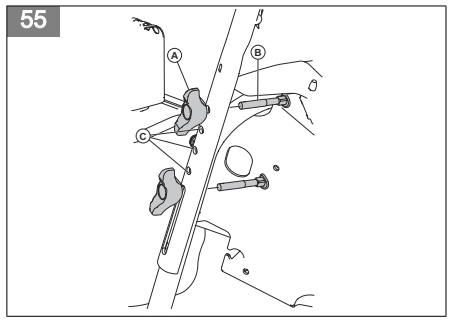
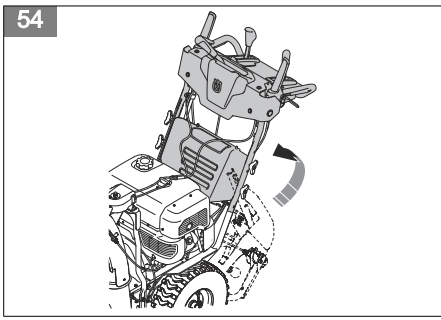
1

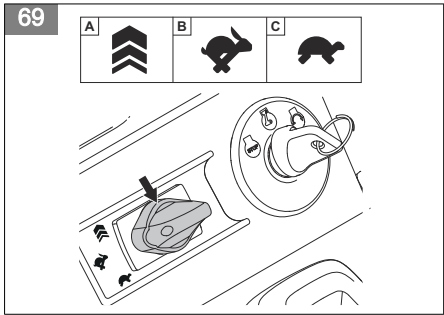
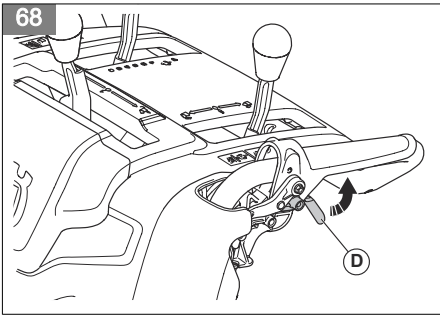
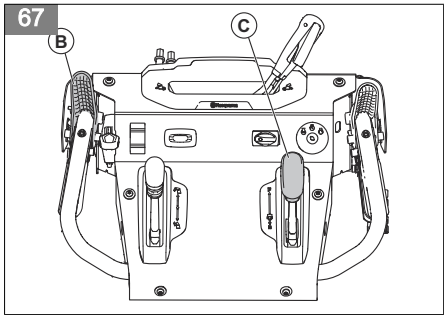
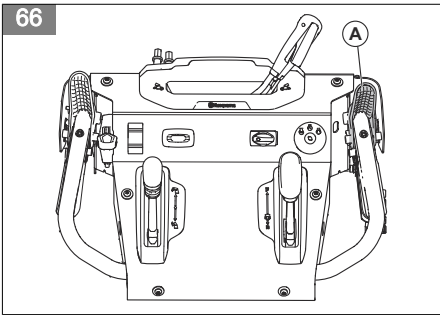
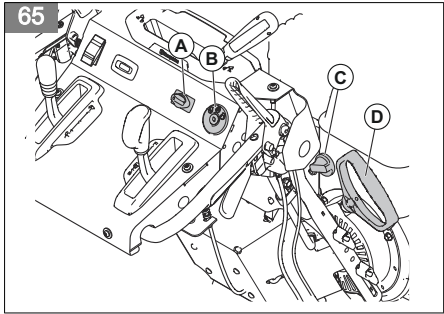
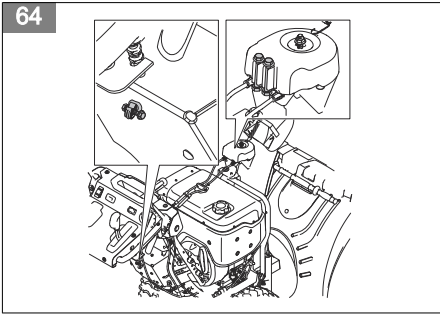
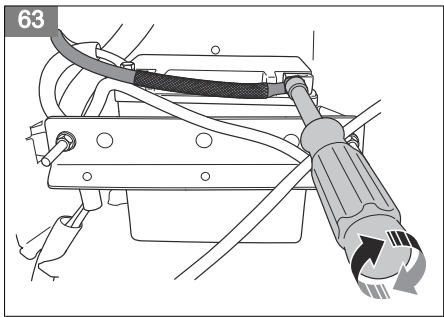
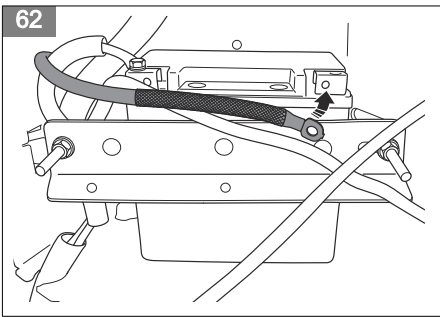


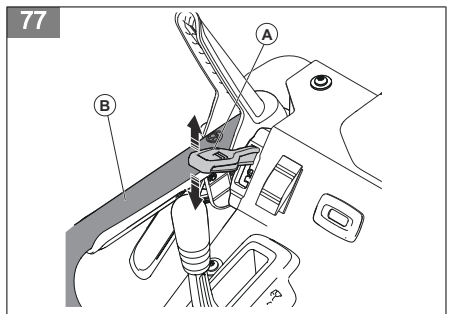
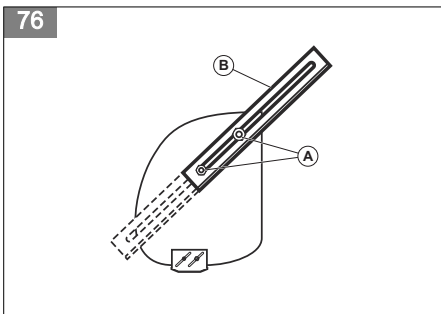
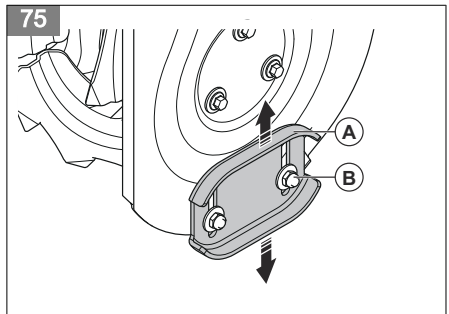
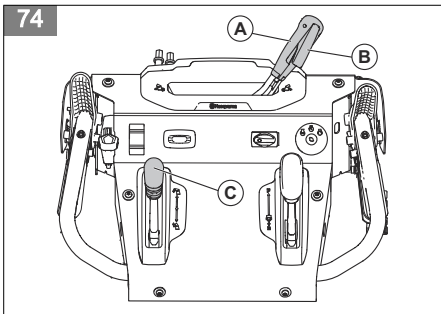
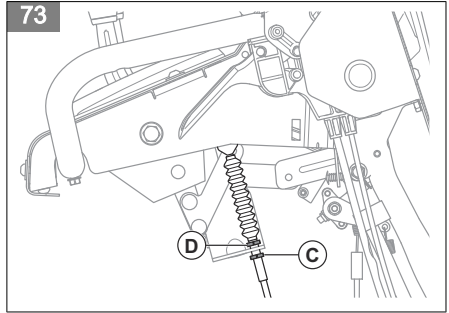
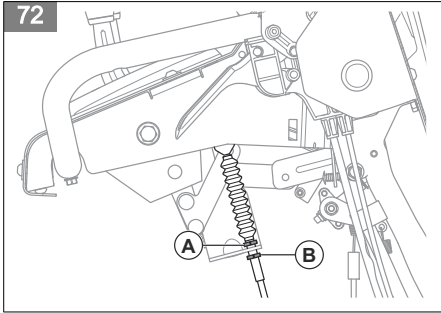
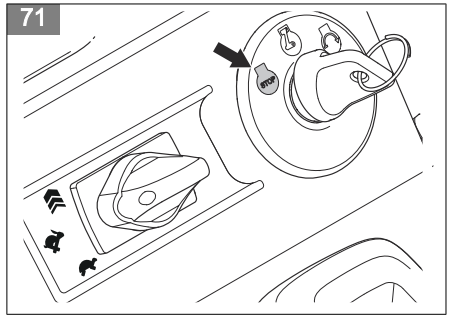
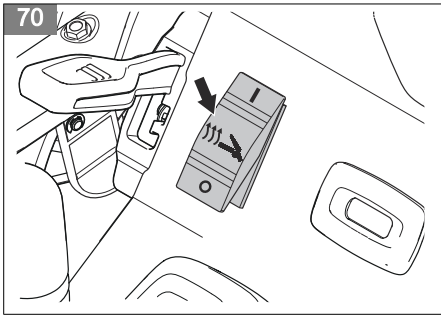
2



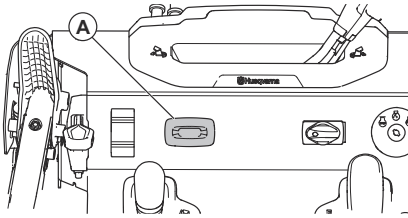




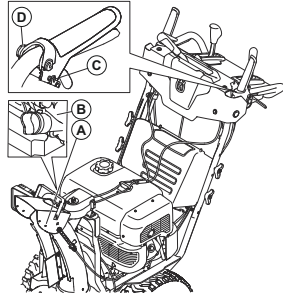




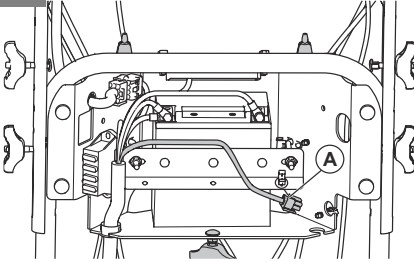
78



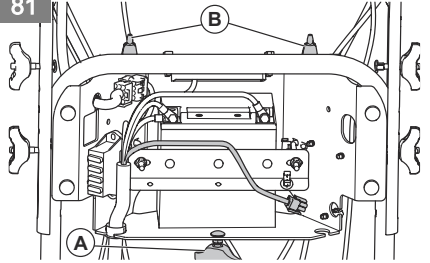
79



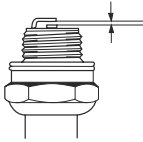
80



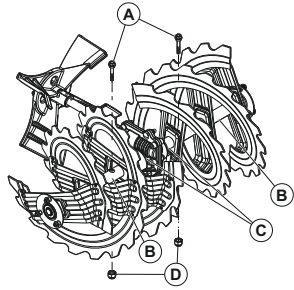
81



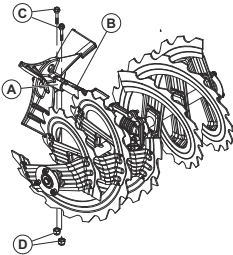
82



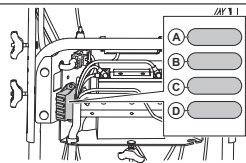
83



84

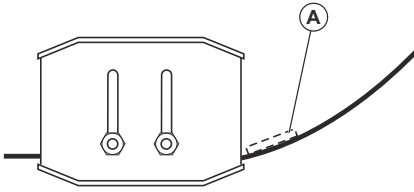


85

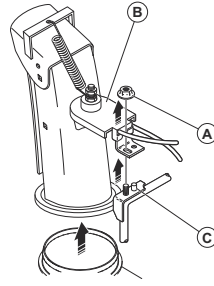


Engine Control Unit Unité De Contrôle Du Moteur	<b>5 A</b>
Main Power & Starter Puissance et Démarrageur	<b>20 A</b>
Light and Heated Grip Poignée Légère et Chauffée	<b>5 A</b>
Spare Fuse Fusible De Recharge	<b>5 A</b>

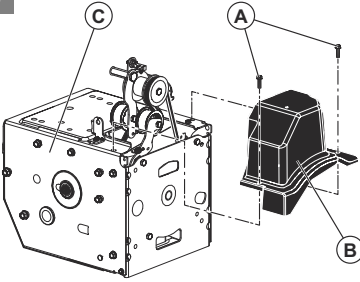
86



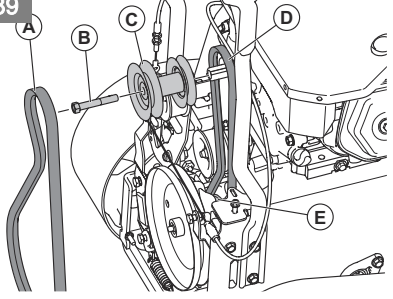
87



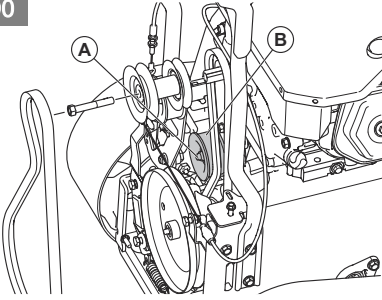
88



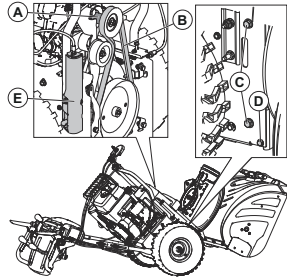
89



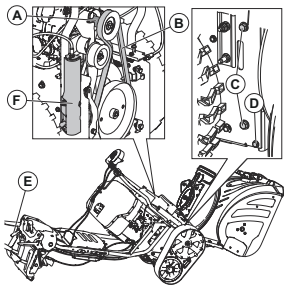
90



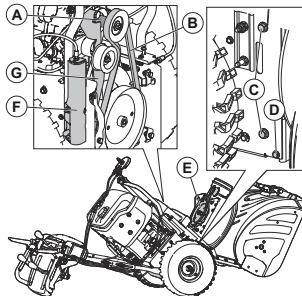
91



92

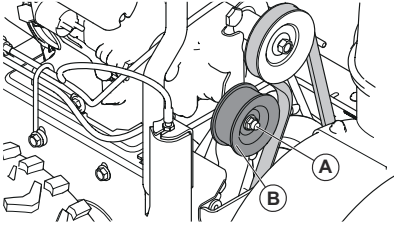


93

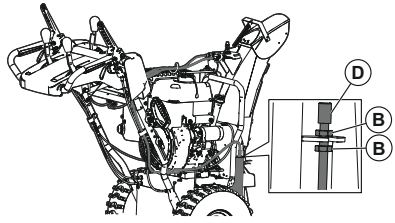




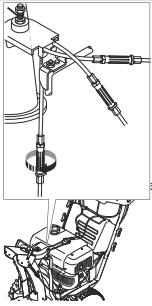
94



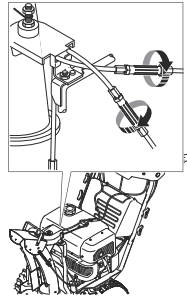
95



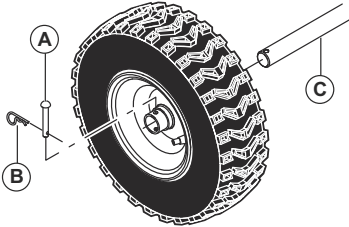
96



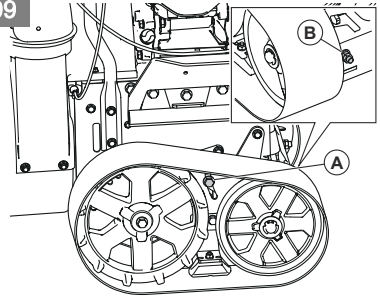
97



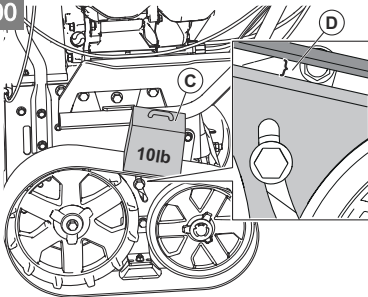
98



99



100



---

# Contents

---

Introduction.....	10	Transportation, storage and disposal.....	28
Safety.....	11	Technical data.....	29
Assembly.....	15	EU Declaration of Conformity.....	30
Operation.....	16	UK Declaration of Conformity .....	32
Maintenance.....	19	Appendix .....	81
Troubleshooting.....	25		

---

## Introduction

---

### USA requirements



**WARNING:** Engine exhaust, some of its constituents, and certain vehicle components contain or emit chemicals known to the State of California to cause cancer and birth defects or other reproductive harm.

---

or emit chemicals considered to cause cancer, birth defects, or other reproductive system damage. The engine exhaust contains carbon monoxide, which is an odorless, colorless, poisonous gas. Do not use the machine in enclosed spaces.

---



**WARNING:** Engine exhaust and certain vehicle components contain

---

### Product overview

(Fig. 1)

1. Fuel tank cap
2. Oil fill/dipstick
3. Battery cover
4. Discharge chute lever
5. Auger engagement
6. Drive speed lever
7. Control panel
8. Remote control lever
9. Drive engagement
10. Steering triggers
11. Handle knobs
12. Muffler

13. Wheel (for ST 424/427/430 only)
14. Continuous track (for ST 424T/427T/430T only)
15. Auger bucket
16. Skid plate
17. Augers
18. Tool for cleaning
19. Discharge chute
20. Discharge chute deflector
21. LED light
22. Oil drain
23. Starter rope handle
24. Hook cover

### Product overview

(Fig. 2)

1. Adjustment lever for the auger bucket
2. ON/OFF switch for the heated grip
3. Hour meter and oil change reminder
4. Throttle
5. Discharge chute lever
6. Release lever
7. Ignition slot
8. Auger engagement
9. Drive speed lever
10. Symbols label
11. Remote control lever for the discharge chute deflector

12. Drive engagement

### Product description

The product is a snow thrower that is used to remove snow from the ground.

### Intended use

This product can be used to remove snow from fields, roads, walkways and driveways. Do not use it on slopes that are greater than 20°. Do not use the product in areas where there is much debris, dirt and protruding stones.

## Symbols on the product

---

**Note:** If the decals on the product are damaged, contact the distributor to replace them.

---

(Fig. 3)	Warning.	(Fig. 22)	No operation on slopes more than 20 degrees.
(Fig. 4)	Read the operator's manual.	(Fig. 23)	This product is in accordance with applicable EC directives.
(Fig. 5)	Engine on.	(Fig. 24)	This product conforms to applicable UK regulations.
(Fig. 6)	Start the engine.	(Fig. 25)	Steer left.
(Fig. 7)	Engine off.	(Fig. 26)	Steer right.
(Fig. 8)	Boost.	(Fig. 27)	Blower on.
(Fig. 9)	Fast.	(Fig. 28)	Traction drive on.
(Fig. 10)	Slow.	(Fig. 29)	Ear protection recommended.
(Fig. 11)	Oil change reminder.	(Fig. 30)	Wear protection gloves.
(Fig. 12)	Heated handles.	(Fig. 50)	Change auger bucket height.
(Fig. 13)	Remove key before maintenance.	(Fig. 51)	Rotate left/rotate right.
(Fig. 14)	Remove spark plug cable before maintenance.	(Fig. 52)	Forward/reverse.
(Fig. 15)	Hot surface.	(Fig. 53)	Up/down.
(Fig. 16)	Risk of fire.		
(Fig. 17)	Beware of thrown objects.		
(Fig. 18)	Keep distance to bystanders.		
(Fig. 19)	Do not breathe in exhaust fumes.		
(Fig. 20)	Move slowly rearward.		
(Fig. 21)	Risk of falling.		

## Product damage

We are not responsible for damages to our product if:

- the product is incorrectly repaired.
- the product is repaired with parts that are not from the manufacturer or not approved by the manufacturer.
- the product has an accessory that is not from the manufacturer or not approved by the manufacturer.
- the product is not repaired at an approved service center or by an approved authority.

---

## Safety

---

### Safety definitions

The definitions below give the level of severity for each signal word.

---



**WARNING:** Injury to persons.

---



**CAUTION:** Damage to the product.

---

**Note:** This information makes the product easier to use.

---

## General safety instructions

- Use the product correctly. Injury or death is a possible result of incorrect use. Only use the product for the tasks found in this manual. Do not use the product for other tasks.
- Obey the instructions in this manual. Obey the safety symbols and the safety instructions. If the operator does not obey the instructions and the symbols, injury, damage or death is a possible result.
- Do not discard this manual. Use the instructions to assemble, to operate and to keep your product in good condition. Use the instructions for correct installation of attachments and accessories. Only use approved attachments and accessories.
- Do not use a damaged product. Obey the maintenance schedule. Only do the maintenance work that you find an instruction about in this manual. An approved service center must do all other maintenance work.
- This manual cannot include all situations that can occur when you use the product. Be careful and use your common sense. Do not operate the product or do maintenance to the product if you are not sure about of the situation. Speak to a product expert, your dealer, service agent or approved service center for information.
- Disconnect the spark plug cable before you assemble the product, put the product into storage or do maintenance.
- Do not use the product if it is changed from its initial specification. Do not change a part of the product without approval from the manufacturer. Only use parts that are approved by the manufacturer. Injury or death is a possible result of incorrect maintenance.
- Do not breathe in the fumes from the engine. Long term inhalation of the engine's exhaust fumes is a health risk.
- Do not start the product indoors or near flammable material. The exhaust fumes are hot and can contain a spark which can start a fire. Not sufficient airflow can cause injury or death because of asphyxiation or carbon monoxide.
- When you use this product the engine makes an electromagnetic field. The electromagnetic field can cause damage to medical implants. Speak to your physician and medical implant manufacturer before you operate the product.
- Do not let a child operate the product. Do not let a person, without knowledge of the instructions operate the product.
- Make sure that you always monitor a person, with decreased physical capacity or mental capacity, that uses the product. A responsible adult must be there at all times.
- Lock the product in an area that children and unapproved persons cannot access.
- The product can eject objects and cause injuries. Obey the safety instructions to decrease the risk of injury or death.

- Do not go away from the product when the engine is on.
- The operator of the product is responsible if an accident occurs.
- Before and while you walk rearward, look behind and down for small children, animals or other risks that can cause you to fall.
- Make sure that parts are not damaged before you use the product.
- Make sure that you are at a minimum 15 m (50 ft) away from other persons or animals before you use the product. Make sure that a person in adjacent area knows that you will use the product.
- Refer to national or local laws. They can prevent or decrease the operation of the product in some conditions.

## Safety instructions for operation

- Do not put hands or feet near or under rotating parts. Keep clear of the discharge opening at all times.
- Exercise extreme caution when operating on or crossing gravel drives, walks, or roads. Stay alert for hidden hazards or traffic.
- After striking a foreign object, stop the engine (motor), remove the wire from the spark plug, disconnect the cord on electric motors, thoroughly inspect the product for any damage, and repair the damage before restarting and operating the product.
- If the product starts to vibrate abnormally, stop the engine (motor) and check immediately for the cause. Vibration is generally a warning of trouble.
- Stop the engine (motor) whenever you leave the operating position, before unclogging the auger housing or chute deflector, and when making any repairs, adjustments or inspections.
- When cleaning, repairing or inspecting the product, stop the engine and make certain the augers and all moving parts have stopped. Disconnect the spark plug wire and keep the wire away from the plug to prevent someone from accidentally starting the engine.
- Do not run the engine indoors, except when starting the engine and for transporting the product in or out of the building. Open the outside doors; exhaust fumes are dangerous.
- Exercise extreme caution when operating on slopes.
- Never operate the product without proper guards, and other safety protective devices in place and working.
- Never direct the chute deflector toward people or areas where property damage can occur. Keep children and others away.
- Do not overload the product capacity by attempting to clear snow at too fast a rate.
- Never operate the product at high transport speeds on slippery surfaces. Look behind and use care when operating in reverse.

- Disengage power to the augers when the product is transported or not in use.
- Use only attachments and accessories approved by the manufacturer of the product (such as wheel weights, counterweights, or cabs).
- Never operate the product without good visibility or light. Always be sure of your footing, and keep a firm hold on the handles. Walk; never run.
- Never touch a hot engine or muffler.

## Work area safety

- Thoroughly inspect the area where the equipment is to be used and remove all doormats, sleds, boards, wires, and other foreign objects.
- Disengage all clutches and shift into neutral before starting the engine (motor).
- Do not operate the product without wearing adequate winter garments. Avoid loose fitting clothing that can get caught in moving parts. Wear footwear that will improve footing on slippery surfaces.
- Handle fuel with care; it is highly flammable.
  - Use an approved fuel container.
  - Never add fuel to a running engine or hot engine.
  - Fill fuel tank outdoors with extreme care. Never fill fuel tank indoors.
  - Never fill containers inside a vehicle or on a truck or trailer bed with a plastic liner. Always place containers on the ground, away from your vehicle, before filling.
  - When practical, remove gas-powered equipment from the truck or trailer and refuel it on the ground. If this is not possible, then refuel such equipment on a trailer with a portable container, rather than from a gasoline dispenser nozzle.
  - Keep the nozzle in contact with the rim of the fuel tank or container opening at all times, until refueling is complete. Do not use a nozzle lock-open device.
  - Replace gasoline cap securely and wipe up spilled fuel.
  - If fuel is spilled on clothing, change clothing immediately.
- Use extension cords and receptacles as specified by the manufacturer for all units with electric drive motors or electric starting motors.
- Adjust the auger housing height to clear gravel or crushed rock surface.
- Never attempt to make any adjustments while the engine (motor) is running (except when specifically recommended by the manufacturer).
- Always wear safety glasses or eye shields during operation or while performing an adjustment or repair to protect eyes from foreign objects that may be thrown from the machine.

## Personal protective equipment

Always use the correct personal protective equipment when you operate the product. This includes, at minimum, sturdy footwear, eye protection and hearing protection. Personal protective equipment does not erase the risk of injury but may decrease the grade of injury if an accident occurs.

- Always wear safety glasses or eye protection while you operate the product or do maintenance or repairs.
- Always wear appropriate winter garments when you operate the product.
- Always use heavy-duty slip-resistant boots with good ankle support while you operate the product.
- Do not wear loose fitting clothing that can get caught in moving parts.
- Use approved protective gloves, if necessary. For example, when attaching, examining or cleaning the blade.
- Always use approved ear protection while you operate the product. Noise for a long period can cause noise-induced hearing loss.

## Safety devices on the product

- Make sure that you regularly do the maintenance to the product.
  - The life of the product increases.
  - The risk of accidents decreases.

Let an approved dealer or an approved service center regularly examine the product to do adjustments or repairs.

- Do not use a product with damaged protective equipment. If the product is damaged, speak to an approved service center.

## Muffler

The muffler keeps the noise levels to a minimum and sends the exhaust fumes away from the operator.

Do not use the product if the muffler is missing or damaged. A damaged muffler increases the noise level and the risk of fire.



**WARNING:** The muffler becomes very hot during and after use and when the engine operates at idle speed. Be careful near flammable materials and/or fumes to prevent fire.

## Fuel safety



**WARNING:** Read the warning instructions that follow before you use the product.

- Do not start the product if there is fuel or engine oil on the product. Remove the unwanted fuel/oil and let the product dry.
- If you spill fuel on your clothing, change clothing immediately.
- Do not get fuel on your body, it can cause injury. If you get fuel on your body, use soap and water to remove the fuel.
- Do not start the product if the engine has a leak. Examine the engine for leaks regularly.
- Be careful with fuel. Fuel is flammable and the fumes are explosive and can cause injuries or death.
- Do not breathe in the fuel fumes, it can cause injury. Make sure that there is a sufficient airflow.
- Do not smoke near the fuel or the engine.
- Do not put warm objects near the fuel or the engine.
- Do not add the fuel when the engine is on.
- Make sure that the engine is cool before you refuel.
- Before you refuel, open the fuel tank cap slowly and release the pressure carefully.
- Do not add fuel to the engine in an indoor area. Not sufficient airflow can cause injury or death because of asphyxiation or carbon monoxide.
- Tighten the fuel tank cap fully. If the fuel tank cap is not tightened, there is a risk of fire.
- Move the product a minimum of 3 m / 10 ft from the position where you filled the tank before a start.
- Do not fill the fuel tank fully. Heat causes the fuel to expand. Keep a space at the top of the fuel tank.

### Battery safety



**WARNING:** A damaged battery can cause an explosion and cause injury. If the battery has a deformation or is damaged, speak to an approved Husqvarna service agent.




**WARNING:** Read the warning instructions that follow before you use the product.

- Use protective glasses when you are near batteries.
- Do not wear watches, jewelry or other metal objects near the battery.
- Keep the battery out of reach for children.

- Charge the battery in a space with good airflow.
- Keep flammable materials at a minimum clearance of 1 m when you charge the battery.
- Discard replaced batteries. See *Disposal on page 29*.
- Explosive gases can come from the battery. Do not smoke near the battery. Keep the battery away from open flames and sparks.

### California Proposition 65

 <b>WARNING</b>
<p>This product contains or emits a chemical known to the State of California to cause cancer or birth defects or other reproductive harm.</p>

### Proposition 65

(Fig. 31)

### Safety instructions for maintenance



**WARNING:** Read the warning instructions that follow before you use the product.

- The exhaust fumes from the engine contain carbon monoxide, an odorless, poisonous and very dangerous gas. Do not start the engine indoors or in closed spaces.
- Before you do the maintenance on the product, stop the engine and remove the ignition cable from the spark plug.
- Use protective gloves when you do maintenance on the blades. The blades are very sharp and cuts can easily occur.
- Accessories and changes to the product that are not approved by the manufacturer, can cause serious injury or death. Do not change the product. Always use accessories that are approved by the manufacturer.
- If the maintenance is not done correctly and regularly, the risk of injury and damage to the product increases.
- Only do the maintenance as given in this operator's manual. All other servicing must be done by an approved service agent.
- Let an approved service agent do servicing on the product regularly.
- Replace damaged, worn or broken parts.

---

# Assembly

---

## To remove the product from the carton

1. Remove loose parts included with the product. Cut the four corners of the carton and put the end panels down flat.
2. Remove the two screws that attach the auger housing to the pallet. Remove the steel brackets from the skid plates if they have it.
3. Remove all package materials.
4. Remove the product from the carton and make sure no loose parts are left in the carton.

## Loose parts

- (Fig. 32) Discharge chute (1)
- (Fig. 33) ON/OFF key (s)
- (Fig. 34) Carriage bolts 5/16-18 x 2 ¼" (2)
- (Fig. 35) Chute retainer
- (Fig. 36) Handle knobs (2)
- (Fig. 37) Locknut 3/8 (1)
- (Fig. 38) Locknut 3/18-16 (1)
- (Fig. 39) Shear pins ¼-20 x 1.81 (6)
- (Fig. 40) Locknuts ¼-20 (6)
- (Fig. 41) Locknut 5/16-18 (1)
- (Fig. 42) Locknut ¼-20 (1)
- (Fig. 43) Nylon washer (1)
- (Fig. 44) Carriage bolt 5/16-18 x 5/8 (1)
- (Fig. 45) Roll pin (1)
- (Fig. 46) Release lever (1)
- (Fig. 47) Discharge chute lever
- (Fig. 48) Spring (1)
- (Fig. 49) Shoulder bolt ¼-20 (1)

## Tools required

- 3/8 in. wrench (1)
- 7/16 in. wrench (1)

- 1/2 in. wrench (1)
- 9/16 in. deep socket (1)

## To install the handle

1. Lift the upper handle to the operation position. (Fig. 54)
2. Adjust the handle position to one of the holes (C). (Fig. 55)
3. Put the bolt (B) through the hole (C).
4. Attach the knob (A) to the bolt and tighten the knob.
5. Attach more carriage bolts (B) and handle knobs (A) to attach the upper handle to the lower handle.

## To install the discharge chute

1. Put the deflector assembly for the discharge chute on the top of the discharge chute. The discharge opening must point to the front of the product.
2. Put the rotator head (A) on the discharge chute bracket (J).
3. Align the pins below the rotator head with the holes in the discharge chute bracket.
4. Put the rotator head on the pin (E), and the threaded stud (G) on the bracket (F). (Fig. 56)
5. Attach a locknut (B) on the threaded stud and tighten.
6. Attach the square retainer (I) with a locknut (H).
7. Put the cables through the hook cable slot (C).

## To install the discharge chute lever and the release cable

1. Push the knob (D) down on the discharge chute lever. Use a rubber mallet if it is necessary.
2. Attach the release cable to the discharge chute lever at connection (A). (Fig. 57)
3. Make sure that the release cable is attached correctly to the discharge chute. (Fig. 58)
4. Put the release cable in the groove (B) on the discharge chute lever.
5. Install the cable barrel fitting (F) to the release lever (E).
6. Install the release lever (E) to the discharge chute lever and attach it with the roll pin (C).
7. Adjust the release cable. See *To adjust the release cable of the discharge chute on page 24.*
8. Adjust the left and right discharge chute cables. See *To adjust the left and right discharge chute cables on page 24.*

## To install the remote control for the discharge chute deflector

1. Attach the cable bracket (A) to the discharge chute with a carriage bolt (B) and a 5/16-18 locknut (D). Tighten the bolt.
2. Install the cable eyelet (E) to the discharge chute deflector (F). Use a shoulder bolt (G), a nylon washer (C), and tighten with a ¼-20 locknut (K). The cable eyelet will be loose on the shoulder bolt.
3. Attach the spring (L) between the hex nut (M) on the rotator head and the hole on the discharge chute deflector. (Fig. 59)

## To install the speed control cable

1. Put the drive speed lever in the neutral position.
2. Attach the speed control cable (B) to the drive speed lever with a retaining pin.
3. Attach the speed control cable to the bracket (C) with 2 ½ in wrenches. Make sure that the drive speed lever stays in the neutral position.

4. Remove the screw and wing nut (A) on the bellcrank to let the bellcrank move. (Fig. 60)

## To install the battery ground cable

1. Remove the battery cover.
2. Remove the screw for the battery ground cable. (Fig. 61)
3. Install the battery ground cable. (Fig. 62)
4. Attach the screw for the battery ground cable. (Fig. 63)
5. Install the battery cover.

## To attach replacement shear pins

- Attach the replacement shear pins on the cover of the remote control or on the battery box. (Fig. 64)

---

# Operation

---

## Before you start the product

- Keep persons and animals away from the work area.
- Do daily maintenance. See *Maintenance schedule on page 19*.
- Make sure the ignition lead fits correctly on the spark plug.
- Add oil or gasoline, if necessary. See *To fill fuel on page 16*.

- Do NOT use expired gasoline, gasoline with contamination or an oil/gasoline mixture.
- Do not get dirt or water in the fuel tank.
- Only use correct fuel containers and make marks to easier identify them.
- Do NOT use E85 mix fuels. These engines are not E20/E30/E85 compatible.
- The ethanol contents must be maximum 10%.

## To fill the engine with oil



**CAUTION:** Do not rotate the dipstick when you check the oil. Do not fill above the mark.

1. Remove the oil cap and clean the dipstick. See *Product overview on page 10* for the location of the dipstick.
2. Add oil to the top mark on the dipstick. Use the dipstick to do a check of the oil level at regular intervals.
3. Put the oil cap back.

1. Open the fuel tank cap slowly to release the pressure.
2. Fill slowly with a fuel can. If you spill fuel, remove it with a cloth and let remaining fuel dry off.
3. Clean the area around the fuel tank cap.
4. Tighten the fuel tank cap fully. If the fuel tank cap is not tightened, there is a risk of fire.
5. Move the product a minimum of 3 m (10 ft) from the position where you filled the tank, before a start.

## To fill fuel

Do not use gasoline with an octane number less than 90 RON (86 AKI.) These engines operate best on unleaded gasoline.



**CAUTION:**

## To start the engine, manual start

1. Put the ON/OFF key into the ignition slot (B). Do not turn the key. (Fig. 65)
2. Put the throttle control (A) to the FAST position.
3. Turn the ON/OFF key to the ON position.
4. Pull the starter rope handle (D).





**CAUTION:** Do not release the starter rope handle quickly. Move it slowly to the start position.

**Note:** If the starter rope is frozen, slowly pull out as much rope out of the starter as you can. Release the starter rope handle. If the engine does not start, do the procedure again or use the electric starter.

5. Run the engine 2-3 minutes at low speed before you start to throw snow.
6. If the engine does not run smoothly, turn it off.

## To start the engine, electric start

1. Put the ON/OFF key into the ignition slot (B). Do not turn the key.
2. Put the throttle control (A) to the FAST position.
3. Put the ON/OFF key to the ON position. (Fig. 65)
4. Turn the ON/OFF key to START. When the engine starts, release the key.



**CAUTION:** Do not run the starter for more than 5 seconds each time you try to start. Wait 5 to 10 seconds between each try.

5. Run the engine 2-3 minutes at low speed before you start to throw snow.

## To operate the product



**CAUTION:** Do not partially engage drive or auger levers for an extended period of time; this can lead to premature wear or burning of the belts.

**Note:** When both the drive engagement and auger engagement are engaged, the drive engagement will lock the auger engagement in position. Use the right hand to control the snow discharge chute.

1. To engage the auger blades, push the auger engagement (A) to the handle to engage the auger and throw snow. (Fig. 66)
2. Raise the drive speed control lever (C) from the middle position to make the product move forward when the drive engagement (B) is engaged.
3. Lower the drive speed control lever from the middle position to make the product move rearward when the drive engagement is engaged. (Fig. 67)
4. To make the product move in the selected direction, hold the drive engagement against the handle .

5. If the product has power steering, hold the left steering trigger (D) to turn left. Hold the right steering trigger to turn right. (Fig. 68)

## Throttle control

**Note:** If the snow is wet or heavy, use the fast or boost modes.

The throttle control adjusts the engine speed. It has 3 modes: boost, fast and slow. (Fig. 69)

- Boost (A): to increase speed when the product is operated but does not throw snow, or to increase the distance that snow is thrown.
- Fast (B): standard operation
- Slow (C): to decrease the distance that snow is thrown, or to decrease engine noise

## To use the throttle control

- Turn the throttle control to change the engine speed.

## To use the heated handles

- Push the switch to I to start the heated handles.
- Push the switch to O to stop the heated handles. (Fig. 70)

## To stop the product

1. Turn the key to the STOP position. (Fig. 71)
2. Remove the ON/OFF key.

## To adjust the neutral position

1. Start the product. Refer to *To start the engine, manual start on page 16* or *To start the engine, electric start on page 17*.
2. Move the drive speed lever to the neutral position.
3. Engage the drive engagement. If the product moves forward, do the steps that follow:
  - a) Stop the product.
  - b) Loosen the nut (A) with two ½" wrenches. (Fig. 72)
  - c) Move down the metal threaded fitting.
  - d) Tighten the nut (B) to lock the new cable position.
  - e) Adjust the cable position until the product does not move forward when the drive engagement is engaged and the drive speed lever is in the neutral position.
4. If the product moves rearward when the drive engagement is engaged and the drive speed lever is in the neutral position, do the steps that follow:
  - a) Stop the product.
  - b) Loosen the nut (C) with two ½" wrenches. (Fig. 73)

- c) Move up the metal threaded fitting.
- d) Tighten the nut (D) to lock the new cable position.
- e) Adjust the cable position until the product does not move rearward when the drive engagement is engaged and the drive speed lever is in the neutral position.

## To adjust the discharge chute and the discharge chute deflector

1. Push the release lever (B) on the discharge chute lever (A) and adjust the discharge chute to the left or right position. (Fig. 74)
2. Move the remote control lever (C) to adjust the snow throwing distance.
  - a) Move the remote control lever up to decrease the snow throwing distance.
  - b) Move the remote control lever down to increase the snow throwing distance.

## To adjust the skid plates

The skid plates prevent damage to the bottom of the snow thrower. Adjust the skid plates (A) when the locknut (B) is loose, or the skid plate is not at the correct distance from the ground. No adjustment is necessary for standard installation.

1. Loosen the locknut (B) with a 13 mm (½ in.) open wrench.
2. Move the skid plates (A) up or down.
  - a) On flat surfaces set the distance between the scraper bar and the ground to 5-6 mm (0.2-0.25 in.).
  - b) On rough surfaces set the skid plates (A) in a position where the scraper bar is above the top of the ground.



**WARNING:** Make sure that gravel and stones do not go into the product. Objects that eject at high speed can cause injury.

3. Tighten the locknut (B). (Fig. 75)

## To use the drift cutters (if equipped)

Use the drift cutters to cut through snowdrifts deeper than the front of the product.

1. Loosen the adjustment nuts (A) on both sides of the product to allow each drift cutter (B) to be raised to its highest position. (Fig. 76)
2. Tighten the nuts.
3. Lower the drift cutters after use.

## To adjust the height of the auger bucket (for ST 424T/427T/430T only)

1. Push the lever (A) down. (Fig. 77)

2. Move the handles (B) up or down to adjust the height of the auger bucket .
3. Release the lever (A) to lock the auger bucket in position.

**Note:** The auger bucket can be set to an unlocked position. This lets the auger bucket adapt to the terrain. To set the auger bucket to the unlocked position, push the lever (A) down and to the right.

## To prevent freeze-up after use

**Note:** Controls and moving parts can be blocked by ice. Do not apply much force to the controls. If you cannot operate a control or a part, start the engine and let it operate for some minutes.

1. Start the engine and let it operate for some minutes. Stop the engine and wait for all moving parts to stop.
2. Remove snow and loose ice from the product.
3. Remove snow and loose ice from the base of the discharge chute.
4. Turn the discharge chute deflector to the left direction and to the right direction to remove ice and water.
5. Set the key to the "OFF" position.
6. If the product does not have an electric starter, pull the starter rope handle several times to remove ice and water.

## To get a good result

- Always run the engine at full throttle or near full throttle.
- Always adapt the speed of the product to the snow situation and adjust the speed with the drive speed control lever. Make sure that the product throws snow evenly.
- It is easier and more efficient to remove snow immediately after it falls.
- Always throw snow downwind whenever possible.
- On flat surfaces, like asphalt roads, raise the skid plates up to 5-6 mm (0.2-0.25 in) off the ground.
- The scraper bar is reversible. When it becomes worn almost to the edge of the housing, reverse it. Replace the scraper bar if it is damaged, or if both sides are worn.
- Do not dispatch the chute deflector if it is clogged.
- If the product does not move forward due to unforeseen circumstances, release the drive engagement immediately or move the ON/OFF key to the "OFF" position.

# Maintenance

## Introduction

When the product is in use, bolts can loosen and components can become worn. This can

cause malfunction like incorrect tolerance clearance, increased oil consumption, or misalignment of various components. Do regular maintenance on the product to prevent malfunction.

## Maintenance schedule

Maintenance	Daily	At 15 hour intervals	At 20 hour intervals	At 40 hour intervals	At 100 hour intervals
Tighten nuts and screws	X				
Do a check of the engine oil level	X				
Replace the engine oil			X		
Do a check of and adjust the track tension (only ST 424T/427T/430T )		X			
Make sure that there are no fuel or oil leaks	X				
Remove obstacles in the auger	X				
Lubricate the interlock catches <sup>1</sup>			X		
Lubricate the cable attachments <sup>2</sup>			X		
Do a check of the tire pressure (only ST 424/427/430 )				X	
Inspect and replace the spark plug before use at the start of a season and at recommended interval					X

**Note:** The gearbox does not need maintenance.

## To do a general inspection

- Make sure that all nuts and screws on the product are tightened correctly.

<sup>1</sup> Also lubricate at the beginning of each season.

<sup>2</sup> Also lubricate at the beginning of each season.

## Oil change reminder

The oil change reminder (A) is a function that points out that an oil change is necessary. The oil change reminder lights up the oil can symbol on the display after 20 hours of operation. The oil can symbol is then on for 2 hours or until a manual reset is done. (Fig. 78)

### To reset the oil change reminder

1. Turn the ON/OFF key to the ON position, and keep it in the ON position for 1 second.
2. Turn the ON/OFF key to the STOP position, and keep it in the STOP position for 1 second.
3. Do this procedure 4 more times.

### To do a check of the oil level



**CAUTION:** A too low oil level can do damage to the engine. Do a check of the oil level before you start the product.

1. Put the product on level ground.
2. Remove the oil tank cap with the attached dipstick.
3. Clean the oil from the dipstick.
4. Put the dipstick fully into the oil tank to give a correct picture of the oil level.
5. Remove the dipstick.
6. Examine the oil level on the dipstick.
7. If the oil level is low, fill with engine oil and do a check of the oil level again.

### To replace the engine oil

1. Run the engine a few minutes to make the oil warm. Warm oil flows better and includes more contaminants.



**WARNING:** The engine oil is hot. Avoid skin contact with the used engine oil.

2. Put the product on level ground.
3. Remove the ON/OFF key.
4. Put a container below the oil drain plug.
5. Remove the oil drain plug, tip the product and drain the used oil in the container.
6. Put the product back to the operating position.
7. Install the oil drain plug and tighten it by hand.
8. Fill the engine with oil, see *To fill the engine with oil on page 16*.

### To lubricate the product

- Lubricate the pivot points (A) with oil.
- Lubricate the engine (B) with oil.
- Lubricate the interlock catches (C) with a small quantity of lithium grease.

- Lubricate the cable connections for the drive and auger levers (D) with oil. (Fig. 79)

## Battery

### To start with a dead battery

**Note:** Battery power is necessary to run the fuel pump for the EFI system.

If the battery power is too low, do 1 of these steps:

- Charge the battery, refer to *To charge the battery on page 20*.
- Connect the product to an external power source, such as the battery to a different vehicle .

### Battery maintenance

**Note:** The battery on your product is maintenance free. Do not open or remove the caps or the covers.

### To charge the battery

**Note:** Before long term storage, charge the battery with a battery charger to extend the life of the battery.

1. Remove the battery cover. Refer to *To replace the battery on page 20*.
2. Clean the terminals. Refer to *To clean the battery and the terminals on page 21*.
3. Connect the battery charger to the battery charger connector (A). (Fig. 80)

**Note:** For applicable chargers refer to *Accessories on page 30*.

4. When the battery is charged, disconnect the battery charger.
5. Install the battery cover.

### To replace the battery



**WARNING:** Risk of electrical shock. Do not let metal objects touch the 2 battery terminals. This can cause a short circuit of the battery.

1. Loosen the knob (A), then tilt the bottom of the cover in the direction of the engine. Lift the battery cover off the holders (B). (Fig. 81)
2. Disconnect the BLACK battery cable.



**WARNING:** The BLACK cable must be disconnected first.

3. Disconnect the RED battery cable.
4. Loosen the nuts and remove the battery strap.
5. Carefully remove the battery from the product.

6. Install a new battery.
7. Connect the RED battery cable and tighten the bolt.



**WARNING:** Risk of sparks. The RED cable must be connected first.

8. Connect the BLACK cable and tighten the bolt.
9. Install the battery cover.

### To clean the battery and the terminals

1. Remove the battery. Refer to *To replace the battery on page 20*.
2. Flush the battery with plain water and let it become dry.
3. Clean the terminals and battery cable ends with a wire brush until they are bright.
4. Lubricate the terminals with grease.
5. Install the battery. See *To replace the battery on page 20*.
6. Install the battery cover.

### Muffler

The muffler keeps the noise levels to a minimum and sends the exhaust fumes away from the operator.

Do not use the product if the muffler is missing or damaged. A damaged muffler increases the noise level and the risk of fire.



**WARNING:** The muffler becomes very hot during and after use and when the engine operates at idle speed. Be careful near flammable materials and/or fumes to prevent fire.

### To examine the spark plug



**CAUTION:** Always use the recommended spark plug type. Incorrect spark plug type can cause damage to the product.

- Examine the spark plug if the engine is low on power, is not easy to start or does not operate correctly at idle speed.
- If the spark plug is dirty, clean it and make sure that the electrode gap is correct, refer to *Technical data on page 29*, (Fig. 82)
- Replace the spark plug if it is necessary.

### To inspect the augers and the scraper bar

1. Before each use, inspect the augers and the scraper bar for wear.

2. If the edge of the scraper bar is worn, reverse the scraper bar. If the scraper bar has damages or is worn on both edges, replace it.
3. If the edges of the augers are worn, contact an authorized service center to replace them.

### To replace the auger shear pins

The auger shear pins protect the product from damage. The auger shear pins break if an object comes into the moving parts.



**CAUTION:** Use only original equipment shear pins supplied with the product.

1. If an auger shear pin breaks, stop the engine and wait for the moving parts to stop.
2. Remove the ON/OFF key and disconnect the spark plug cable.
3. Align the hole in the auger hub (B) with the hole in the auger shaft (C) and install a new ¼ - 20 x 2 shear pin (A).
4. Install a ¼-20 locknut (D) on the shear pin and tighten. (Fig. 83)
5. Put the ON/OFF key in the ignition and connect the spark plug cable to the spark plug.

### To replace the impeller shear pins

The impeller shear pins protect the product from damage. The impeller shear pins break if an object comes into the moving parts.



**CAUTION:** Use only original equipment shear pins supplied with the product.

1. If an impeller shear pin breaks, stop the engine and wait for the moving parts to stop.
2. Remove the ON/OFF key and disconnect the spark plug cable.
3. Align the hole in the impeller hub (A) with the holes in the impeller shaft (B) and install a new ¼-20 shear pin (C).
4. Install a ¼-20 locknut (D) on the shear pin and tighten. (Fig. 84)
5. Put the ON/OFF key in the ignition and connect the spark plug cable to the spark plug.

### To replace the fuse

The fuse holders are installed behind the battery cover.

(Fig. 85)

- Replace the fuse for engine control unit (A) with a 5 A fuse.
- Replace the fuse for the starter solenoid (B) with a 20 A fuse.

- Replace the fuse for the LED and the heated grip (C) with a 5 A fuse.
- Position (D) contains a backup 5 A fuse.

## To examine the tires

- Keep the tires free of fuel, oil and chemicals to prevent damage to the rubber.
- Keep the tires away from stumps, stones, ruts, sharp objects and other objects which can cause damage to the tires.
- Keep the tire pressure correct, see *Technical data on page 29*.

## To clear a clogged discharge chute deflector

Do not unclog the discharge chute deflector before the following operations are made.

1. Release the auger engagement and the drive engagement at the same time.
2. Wait 10 seconds to make sure that the augers have stopped.
3. Turn off the product.
4. Use the tool for cleaning (at least 37 cm (15 in.) long, included in some models) to remove the clog.



**WARNING:** Do not put your hands into the discharge chute deflector or inside the auger bucket.

## To replace the scraper bar

1. Put the scraper bar (A) in a reversed position when it is worn to the edge of the housing. (Fig. 86)
2. Replace the scraper bar if it is worn on both sides or if it is damaged.

## Drive belts



**WARNING:** The v-belts on your product are of special construction and should be replaced by original equipment manufacturer (OEM) belts available from your nearest service center. To use other belts than OEM can cause personal injury or damage to the product.



**WARNING:** The belt replacement requires separation of the product. While separating the auger housing from the frame, it is important that an assistant stands in the operating position and holds the product handles. Serious personal injury and/or damage to the product could occur if the product falls during the belt replacement process.

## To prepare for replacement of the belts

1. Remove the fuel from the fuel tank.
2. Loosen the lock nut (A) that secures the chute rotator head (B) to the mounting bracket (C) to remove the discharge chute. (Fig. 87)
3. Loosen the two screws (A) that secure the belt cover (B) to the frame (C) and remove the belt cover. (Fig. 88)

## To remove the drive belt

1. Remove the auger belt (A). See *To remove the auger belt (for ST 424/427/430 only) on page 23*.
2. Remove the 9/16 in. pulley bolt (B) and remove the engine pulley (C) from the engine. (Fig. 89)
3. Remove the drive belt (D) from the lower pulley (E).

## To install the drive belt

1. Put the drive belt onto the lower pulley (E).

---

**Note:** Make sure that the drive belt is put in the lower pulley groove properly.

---

2. Put the drive belt in the groove of the engine pulley (C). (Fig. 89)
3. Install the 9/16 in. pulley bolt (B) and attach the engine pulley (C) on the engine. Tighten the pulley bolt ( 41-47 Nm/30-35 Ft. Lbs).
4. Install the auger belt (A). See *To install the auger belt on page 23*.
5. Operate all controls to make sure that the drive belt is installed correctly and that all components move correctly.

## To install the belt cover

1. Install the belt cover (B) on the frame (C) and tighten the two screws (A). (Fig. 88)
2. Install the discharge chute.

## To adjust the drive belt tension

1. Remove the belt cover. See *To prepare for replacement of the belts on page 22*.
2. Loosen the idler pulley nut (A).
3. Move the idler pulley (B) in the direction of the belt to increase the belt tension. Move it away from the belt to decrease the belt tension. (Fig. 90)
4. Tighten the idler pulley nut (A).
5. Press and then release the drive speed control lever. If the drive belt has tension when the drive speed control lever is released, move the idler pulley away from the drive belt to release the belt tension.
6. Install the belt cover. See *To install the belt cover on page 22*.

## To remove the auger belt (for ST 424/427/430 only)

1. Remove the 5/16" nut and the cable cover (E) from the frame. (Fig. 91)
2. Remove the top 5/16" bolts and the lower 1/4" bolts (D) from the 2 sides of the frame. Do not discard the bolts.
3. Loosen but do not remove the lower 5/16" bolts (C) on the 2 sides of the frame.
4. Remove the auger belt (B) from the engine pulley (A).
5. Tilt the rear section down. The front section tilts forward at the same time. The bottom bolt is a hinge between the front and rear sections.
6. Put a wooden block below the hinge point to set the product in the tilted position.
7. Move the auger brake arm and remove the auger belt (B) from around the auger brake arm.

## To remove the auger belt (for ST 424T/427T/430T only)

1. Remove the 5/16" nut and the cable cover (E) from the frame. (Fig. 92)
2. Remove the top 5/16" bolts from the 2 sides of the frame. Do not discard the bolts.
3. Remove the lower 5/16" bolts (C) on the 2 sides of the frame.
4. Remove the auger belt (B) from the engine pulley (A).
5. Use the adjustment lever for the auger bucket to tilt the rear section down. The front section tilts forward at the same time. The bottom bolt is a hinge between the front and rear sections.
6. Put a wooden block below the hinge point to set the product in the tilted position.
7. Move the auger brake arm and remove the auger belt (B) from around the auger brake arm.

## To install the auger belt

1. Move the auger brake arm (G). Put the auger belt around and in the groove of the auger pulley (E). (Fig. 93)



**CAUTION:** Make sure that the belt is not caught between the frame and auger housing as you put the unit together.

2. Remove the wooden block from below the product.
3. Lift the handles to tilt the rear section up. The front section tilts back and pivots to attach to the rear section.
4. Make sure that the belt is put in the auger pulley (E) groove correctly.
5. Install the 5/16" bolts (C), and tighten (11-16 Nm).

6. For ST 424/427/430 only: Install the 1/4" bolts (D) and tighten (5-8 Nm).
7. Install the auger belt (B) on the engine pulley (A). Make sure that the belt is put correctly around the idler pulley and installed correctly in the engine pulley groove.
8. Install the cable cover (F) and the 5/16" nut on the frame.
9. Operate all controls to make sure that the auger belt is installed correctly and that all components are moving correctly.

## To adjust the auger belt tension

**Note:** An assistant is necessary to do this task.

1. Remove the belt cover. See *To prepare for replacement of the belts on page 22*.
2. Loosen the idler pulley nut (A). (Fig. 94)
3. Move the idler pulley (B) in the direction of the auger belt to increase the belt tension. Move it away from the auger belt to decrease the belt tension.
4. Tighten the idler pulley nut (A).
5. Have the assistant stay 3 m (10 feet) in front of the product to monitor the movement of the auger.
6. Push and then release the auger engagement to start and stop the auger.
7. Measure the time for the auger to stop moving. If the auger stops after more than 5 seconds, release the belt tension.
8. When the auger stops moving after less than 5 seconds, install the belt cover. See *To install the belt cover on page 22*.

## To adjust the auger control cable

1. Remove the cable cover on the right hand side of the frame (D). (Fig. 95)
2. To remove slack from the auger control cable, unscrew the bottom jam nut (B) and tighten the top jam nut (B) until the auger belt tension has increased.
3. Retest the auger engagement. Repeat adjustment as needed until only a small amount of slack remains in the cable when the lever is disengaged.
4. Tighten the bottom jam nut to lock in the tension.

**Note:** You may also tension the auger belt by adjusting the idler pulley as a secondary option. If the adjustment does not resolve the problem, replace the auger belt. See *To install the auger belt on page 23*.

## To adjust the release cable of the discharge chute

1. To adjust the release cable, turn the cable adjuster until the release lever of the discharge chute does not move freely. (Fig. 96)

## To adjust the left and right discharge chute cables

1. Put the discharge chute lever in the center position.
2. Turn the cable adjusters until the discharge chute points straight forward, and the cables are tight. (Fig. 97)
3. Loosen the cable adjusters  $\frac{1}{4}$  turn to make the cables less tight.

## To remove the wheels

1. Remove the wheel pin (A) and the retainer pin (B).
2. Remove the wheel from the axle (C). (Fig. 98)

## To adjust the tension of the continuous tracks (for ST 424T/427T/430T only)

---

**Note:** Tools that are necessary for this task: a 9/16" deep socket, a 9/16" wrench and a 5 kg (10 lbs) weight.

---

1. Loosen the locking screw (A) 1 turn.
2. Remove the rear locknut (B) to give access to the adjustment nut. (Fig. 99)
3. Put a 5 kg (10 lbs) weight (C) on top of the continuous track, in the center between the 2 wheels.
4. Turn the adjustment nut (B) until the distance (D) between the continuous track and the steel plate is between 3.175 and 6.350 mm (0.125 and 0.250 in). wide. (Fig. 100)
5. Attach the locking screw (A) and then the rear locknut (B).

## To clean the product

- Clean plastic parts with a clean and dry cloth.
- Do not use a high pressure washer to clean the product.
- Do not flush water directly on the motor.
- Use a brush to remove leaves, grass and dirt.



## Troubleshooting

Problem	Possible cause	Solution
The product does not start	The safety ignition key is not inserted.	Insert the safety ignition key.
	The product is out of fuel.	Fill the fuel tank with fresh, clean gasoline.
	The ON/OFF key is OFF.	Move the ON/OFF key to ON position.
	The engine is flooded.	Wait a few minutes before restarting, DO NOT prime.  Restart the engine while full throttle and the choke in OFF (CLOSE) position.
	The spark plug cable is not connected.	Connect the cable to the spark plug.
	The spark plug is bad.	Replace the spark plug.
	There is water in the fuel or the fuel is too old.	Empty the fuel tank and carburetor. Fill the fuel tank with fresh, clean gasoline.
	There is vapor locked in the fuel line.	Make sure that all the fuel line is below the outlet of the fuel tank. The fuel line should run continuously down from fuel tank to carburetor.
	Other causes.	Inspect the starting procedures carefully in this manual.
	The starting battery is not charged.	Charge the starting battery.
	The starting battery needs to be replaced.	Replace the starting battery.
	The engine control unit does not receive power.	Inspect the ECU fuse and wiring.
	The starter solenoid does not engage.	Inspect the starter fuse and wiring.
	The fuel injector does not trigger.	Contact an authorized service center.
The fuel pump does not receive power.	Contact an authorized service center.	

<b>Problem</b>	<b>Possible cause</b>	<b>Solution</b>
Decreased power	The spark plug cable is not connected.	Connect the cable to the spark plug.
	The product throws too much snow.	Decrease the speed and the width of the swath.
	The fuel tank cap is covered with ice or snow.	Remove the ice and the snow on and around the fuel tank cap.
	The muffler is dirty or clogged.	Clean or replace the muffler.
	Improper cable length.	Adjust the cable.
	The muffler is blocked.	Make sure that the engine is cool. Clear the blockage.
	The air intake of the carburetor is blocked.	Make sure that the engine is cool. Clear the blockage.
	The fuel injector does not trigger.	Contact an authorized service center.
The engine idles or runs roughly	The fuel line is blocked.	Clean the fuel line.
	There is water in the fuel or the fuel is too old.	Empty the fuel tank and carburetor. Fill the fuel tank with fresh, clean gasoline.
	The fuel injector does not trigger.	Contact an authorized service center.
Excessive vibration / Handle movement	Some parts are loose. The augers are damaged.	Tighten all fasteners. Replace the damaged parts. If vibration remains, contact an authorized service center.
	The handles are not positioned correctly.	Make sure that the handles are locked into position.
	The adjustment lever nuts are loose.	Tighten the nuts until the handle feels safe.
The starter rope handle is hard to pull	The starter rope handle is frozen.	Slowly pull out as much rope out of the starter as possible and release the starter rope handle. If the engine does not start, repeat the procedure or use the electrical starter.
	The starter rope is interfering with components.	The starter rope should not touch any cables or hoses.

Problem	Possible cause	Solution
Loss of traction drive/ slowing of drive speed  Loss of snow discharge or slowing of snow discharge	The belt slips.	Adjust the cable. Adjust the belt.
	The belt is worn.	Check / replace the belt. Adjust the pulley.
	The belt is off the pulley.	Check / reinstall the belt. Adjust the pulley.
	The chute deflector is clogged.	Clean the chute deflector.
	Foreign objects clog the augers.	Remove the debris or the foreign object from the augers.
	The shear pin is broken.	Replace the broken shear pin.
The lights are not on (if so equipped)	Excessive snow and ice build up in between continous track components.	Remove snow and ice build up from in between continous track components.
	The engine is not running.	Start the engine.
	The cable connection is loose.	Do a check of the cable connections at the engine and the lights.
	The LED is burnt out.	Replace the LED light module. Individual LEDs can not be replaced.
The chute rotator is difficult to move	The fuse is blown.	Replace the fuse. Make sure that there is no short circuit.
	There is debris in the chute rotator mechanism.	Clean the internal parts of the chute rotator mechanism.
	The cables are kinked or damaged.	Make sure that the cables are not kinked. Replace the cables that are damaged.
The product turns to one side	The release cable needs adjustment.	Adjust the release cable.
	The tire pressure is not equal.	Adjust the tire pressure and fill the tire.
	The product drives with only one wheel.	Inspect the tire lock pin.
	Uneven sled adjustment.	Adjust the skid plates and the sledge.
The product moves when the drive speed lever is in the neutral position.	Uneven skid plates adjustment.	Adjust the skid plates and the sledge.
	The neutral position is not set correctly.	Adjust the neutral position. Refer to <i>To adjust the neutral position on page 17.</i>

## EFI Error Codes

**Note:** There is an error indicator on the body of the engine throttle to show errors for parts without software.

Error code	Error names	Error indicator continuously flashes times
P0261	Injection error.	1
P0230	Fuel pump error.	4
P0350	Ignition coil error.	8
P0650	Error indicator fault.	It is only possible to use OBD to read the error code.
P0123	Electrically short circuit in the throttle position sensor.	7
P0122	Electrically short ground in the throttle position sensor.	
P0120	Error in throttle position sensor.	
P0118	Electrically short circuit in the sensor for cylinder cover temperature.	5
P0117	Short circuit to ground in sensor for cylinder temperature.	
P0108	Electrically short circuit in the inlet pressure sensor.	2
P0107	Short circuit to ground in the inlet pressure sensor.	
P0106	Error in inlet pressure sensor.	
P0113	Electrically short circuit in intake temperature sensor.	9
P0112	Short circuit to ground in the intake temperature sensor.	
P0132	Electrically short circuit in the oxygen sensor.	3
P0131	Short circuit to ground in oxygen sensor.	
P0130	Error in oxygen sensor.	
P0562	Battery voltage<12V.	Always on after power on.
P0561	Battery charges low voltage after startup.	Always on after start.
P0563	Battery voltage>16V.	Always on after power on.

---

## Transportation, storage and disposal

---

### Transportation and storage

- For storage and transportation of the product and fuel, make sure that there are no leaks or fumes. Sparks or open flames, for example from electrical devices or boilers, can start a fire.
- Always use approved containers for storage and transportation of fuel.
- Empty the fuel tank before you put the product in storage for a long period of time. Discard the fuel at an applicable disposal location
- Safely attach the product during transportation to prevent damage and accidents.
- Keep the product in a locked area to prevent access for children or persons that are not approved.
- Keep the product in a dry and frost free area.

- Charge the battery during long-term storage. Examine and clean the battery terminals before long-term storage.

- When the product is no longer in use, send it to a Husqvarna dealer or discard it at a recycling location.
- Discard the battery at a service center or discard it at a disposal location for used batteries.

## Disposal

- Obey the local recycling requirements and applicable regulations.
- Discard all chemicals, such as engine oil or antifreeze, at a service center or at an applicable disposal location.

## Technical data

### Technical data

	ST 424	ST 427	ST 430	ST 424T	ST 427T	ST 430T
<b>Dimensions</b>						
Weight, with empty tanks, lbs (kg)	310 (140)	320 (145)	331 (150)	352 (159)	362 (164)	373 (169)
Max. operating tire pressure, PSI	18	18	20	N/A	N/A	N/A
<b>Engine</b>						
Brand	Husqvarna	Husqvarna	Husqvarna	Husqvarna	Husqvarna	Husqvarna
Displacement, cc	301	389	420	301	389	420
Fuel type	Unleaded regular, octane rating 86 AKI or higher (maximum 10% ethanol)  DO NOT use E85 mixed fuels.  These engines are not E20/E30/E85 compatible.					
Fuel capacity, gal / l	1.32 / 5.00	1.32 / 5.00	1.32 / 5.00	1.32 / 5.00	1.32 / 5.00	1.32 / 5.00
Oil type (API SJ-SN)	SAE 5W30 (below 0°C (32°F))					
Oil capacity fl. oz. / l	37.2 / 1.1	37.2 / 1.1	37.2 / 1.1	37.2 / 1.1	37.2 / 1.1	37.2 / 1.1
<b>Electrical system</b>						
Spark plug	F6RTC					
Spark plug electrode gap (in. / mm)	0.027 / 0.686					
<b>Noise emissions <sup>3</sup></b>						
Sound power level, measured dB(A)	<105					
Sound power level, guaranteed L <sub>WA</sub> dB(A)	≤ 105					
<b>Vibration levels, a<sub>hveq</sub> <sup>4</sup></b>						

<sup>3</sup> Noise emissions in the environment measured as sound power (L<sub>WA</sub>) in conformity with EC directives 2000/14/EC and 2005/88/EC.

<sup>4</sup> Vibration level according to ISO 5349-2 EN 1033.

	ST 424	ST 427	ST 430	ST 424T	ST 427T	ST 430T
Vibration level on the handle, m/s <sup>2</sup>	≤ 5.56	≤ 4.23	≤ 3.14	≤ 5.56	≤ 4.23	≤ 3.14

## Accessories

Approved accessories	Type	Article number
Battery Charger	Automatic	585445101 <sup>5</sup>
Husqvarna Interface box	Service tool	598072804 <sup>6</sup>
Diagnostic Adapter Harness	Tool for troubleshooting	599917001 <sup>7, 8</sup>

## EU Declaration of Conformity

We, Husqvarna AB, SE 561 82 Huskvarna, SWEDEN, declare under our sole responsibility that the represented product:

<b>Description</b>	<b>Snow thrower</b>
Brand	Husqvarna
Platform / Type / Model	ST 424, ST 427, ST 430, ST 424T, ST 427T, ST 430T
Batch	Serial number dating 2021 and onwards

complies fully with the following EU directives and regulations:

Directive/Regulation	Description
2006/42/EC	"relating to machinery"
2011/65/EU	"restriction of use of certain hazardous substances"
2014/30/EU	"relating to electromagnetic compatibility"
2000/14/EC, 2005/88/EC	"relating to outdoor noise"

Harmonized standards and/or technical specifications applied are as follows: EN ISO 12100:2010, EN ISO 14982:2009, EN ISO 8437-1:2019, EN ISO 8437-2:2019, EN ISO 8437-4:2019, EN ISO 3744:2010, EN 1032:2003+A1:2008, EN IEC 63000:2018.

In accordance with directive 2000/14/EC, Annex V, the declared sound values are stated in the technical

<sup>5</sup> The battery charger does not charge with the battery connector for this product, but can be connected to the battery directly.

<sup>6</sup> The Husqvarna Interface Box is only available to dealers.

<sup>7</sup> Necessary for connect Snow Thrower to Husqvarna service tool.

<sup>8</sup> The Diagnostic Adapter Harness is only available to dealers.

data section of this manual and in the signed EU Declaration of Conformity.

The supplied snow thrower conforms to the example that underwent examination.

On behalf of Husqvarna AB, SE 561 82 Huskvarna, SWEDEN, 2020-02-07



Claes Losdal

Responsible for technical documentation



---

## UK Declaration of Conformity

---

We, **Husqvarna AB**, SE-561 82 Huskvarna,  
Sweden, tel: +46-36-146500, declare on our sole  
responsibility that the product:

<b>Description</b>	<b>Snow thrower</b>
<b>Brand</b>	Husqvarna
<b>Type / Model</b>	ST 424, ST 427, ST 430, ST 424T, ST 427T, ST 430T
<b>Identification</b>	Serial numbers dating 2021 and onwards

complies fully with the following UK directives and  
regulations:

<b>Directive / Regulation</b>	<b>Description</b>
2008/1597	The Supply of Machinery (Safety) Regulations 2008
2016/1091	Electromagnetic Compatibility Regulations 2016
2001/1701	The Noise Emission in the Environment by Equipment for use Outdoors Regulations 2001
2012/3032	The restriction of the use of Certain Hazardous Substances in Electrical and Electronic Equipment 2012

Harmonized standards and/or technical  
specifications applied are as follows: EN  
ISO 12100:2010, EN ISO 14982:2009, EN  
ISO 8437-1:2019, EN ISO 8437-2:2019, EN  
ISO 8437-4:2019, EN ISO 3744:2010, EN  
1032:2003+A1:2008, EN IEC 63000:2018.

UK Importer:  
Husqvarna UK Ltd  
Preston Road, Co. Durham  
DL5 6UP

In accordance with statutory instrument 2001/1701,  
conformity assessment procedure, schedule 9. For  
information relating to noise emissions, refer to  
*Technical data on page 29.*

The supplied snow thrower conforms to the example  
that underwent examination.

On behalf of Husqvarna AB, SE 561 82 Huskvarna,  
SWEDEN, 2020-02-07



Claes Losdal

Responsible for technical documentation

**UK  
CA**



---

## Contenido

---

Introducción.....	33	Solución de problemas.....	50
Seguridad.....	34	Transporte, almacenamiento y eliminación de residuos.....	53
Montaje.....	38	Datos técnicos.....	54
Funcionamiento.....	40	Declaración de conformidad UE.....	55
Mantenimiento.....	43	Anexo .....	81

---

## Introducción

---

### Requisitos para EE. UU.



**ADVERTENCIA:** Los gases de escape del motor, algunos de sus componentes y algunos componentes del vehículo contienen o emiten sustancias químicas que según el estado de California provocan cáncer y malformaciones congénitas u otros daños reproductivos.



**ADVERTENCIA:** Los gases de escape del motor y ciertos componentes del vehículo contienen o emiten sustancias químicas que se consideran causantes de cáncer, malformaciones congénitas u otros daños en el sistema reproductor. Los gases de escape del motor contienen monóxido de carbono, un gas venenoso, inodoro e incoloro. No utilice la máquina en espacios cerrados.

### Descripción general del producto

(Fig. 1)

1. Tapa del depósito de combustible
2. Llenado de aceite y varilla de nivel
3. Cubierta de la batería
4. Palanca del conducto de expulsión
5. Acoplamiento del barreno
6. Palanca de régimen de velocidad
7. Panel de control
8. Palanca de control remoto
9. Acoplamiento de la transmisión
10. Gatillos de dirección
11. Perillas de la empuñadura
12. Silenciador
13. Rueda (solo para ST 424/427/430)
14. Banda continua (solo para ST 424T/427T/430T)
15. Tolva sinfín
16. Plancha protectora
17. Barrenos
18. Herramienta de limpieza
19. Conducto de expulsión
20. Deflector del conducto de expulsión
21. Luz LED
22. Drenaje de aceite
23. Empuñadura de la cuerda de arranque
24. Cubierta del gancho (, y)

### Descripción general de la máquina

(Fig. 2)

1. Palanca de ajuste de la tolva sinfín
2. Interruptor de encendido/apagado (ON/OFF) de las manillas térmicas
3. Contador horario y recordatorio de cambio de aceite
4. Acelerador
5. Palanca del conducto de expulsión
6. Palanca de liberación
7. Ranura de encendido
8. Acoplamiento del barreno
9. Palanca de régimen de velocidad
10. Etiqueta de símbolos
11. Palanca de control remoto del deflector del conducto de expulsión
12. Acoplamiento de la transmisión

### Descripción de la máquina

El producto es una quitanieves utilizada para retirar la nieve del suelo.

### Uso específico

Este producto puede utilizarse para retirar la nieve de campos, caminos, senderos y accesos. No lo utilice en pendientes superiores a 20°. No utilice el producto en áreas con muchos residuos, suciedad y piedras protuberantes.

### Símbolos en el producto

**Tenga en cuenta:** Si las etiquetas del producto están dañadas, comuníquese con el distribuidor para sustituirlas.

---

- (Fig. 3) ¡Advertencia!
- (Fig. 4) Lea el manual de instrucciones.
- (Fig. 5) Motor en marcha.
- (Fig. 6) Arranque el motor.
- (Fig. 7) Motor apagado.
- (Fig. 8) Impulso.
- (Fig. 9) Rápido.
- (Fig. 10) Lento.
- (Fig. 11) Recordatorio de cambio de aceite.
- (Fig. 12) Mangos térmicos.
- (Fig. 13) Retire la llave antes realizar el mantenimiento.
- (Fig. 14) Retire el cable de la bujía antes del mantenimiento.
- (Fig. 15) Superficie caliente.
- (Fig. 16) Riesgo de incendio.
- (Fig. 17) Tenga cuidado con los objetos expulsados.
- (Fig. 18) Manténgase alejado de los transeúntes.
- (Fig. 19) No inhale los gases de escape.
- (Fig. 20) Muévase lentamente hacia atrás.
- (Fig. 21) Riesgo de caídas.
- (Fig. 22) Sin funcionamiento en pendientes de más de 20 grados.
- (Fig. 23) Este producto cumple con las directivas CE pertinentes.
- (Fig. 24) Este producto cumple con las normativas correspondientes del Reino Unido.
- (Fig. 25) Girar a la izquierda.
- (Fig. 26) Girar a la derecha.
- (Fig. 27) Sopladora encendida.
- (Fig. 28) Tracción activada.
- (Fig. 29) Protectores auriculares recomendados.
- (Fig. 30) Utilice guantes protectores.
- (Fig. 50) Cambie la altura de la tolva sinfín.
- (Fig. 51) Gire a la izquierda/gire a la derecha.
- (Fig. 52) Marcha hacia delante/atrás.
- (Fig. 53) Arriba/abajo.

## Daños en el producto

No somos responsables de los daños a nuestro producto en los siguientes casos:

- el producto se repara incorrectamente
- el producto se repara con piezas que no son del fabricante o que este no autoriza
- el producto tiene un accesorio que no es del fabricante o que este no autoriza
- el producto no se repara en un centro de servicio autorizado o por una autoridad aprobada.

---

## Seguridad

---

### Definiciones de seguridad

Las siguientes definiciones proporcionan el nivel de gravedad de cada palabra clave.



**ADVERTENCIA:** Lesiones a personas.

---



**AVISO:** Daños en el producto.

---

**Tenga en cuenta:** Esta información hace que el producto sea más fácil de usar.

---

## Instrucciones generales de seguridad

- Utilice el producto correctamente. Las lesiones graves o fatales son un posible resultado de un uso incorrecto. Solo utilice el producto para las tareas que aparecen en este manual. No utilice el producto para otras tareas.
- Obedezca las instrucciones contenidas en este manual. Obedezca los símbolos y las instrucciones de seguridad. Si el usuario no obedece las instrucciones y los símbolos, es posible que se produzcan daños y lesiones tanto graves como fatales.
- No deseche este manual. Utilice las instrucciones para montar, operar y mantener el producto en buen estado. Utilice las instrucciones para la correcta instalación de piezas y accesorios. Utilice solamente piezas y accesorios homologados.
- No use un producto dañado. Cumpla con el programa de mantenimiento. Realice solamente las tareas de mantenimiento en las que se detallan instrucciones en este manual. Un centro de servicio autorizado debe realizar todos los demás trabajos de mantenimiento.
- En este manual no se pueden abarcar todas las situaciones que pueden ocurrir cuando se utiliza el producto. Tenga cuidado y use el sentido común. No haga funcionar el producto ni realice mantenimientos si no está seguro acerca de la situación. Hable con un experto en el producto, su distribuidor, el agente de servicio o un centro de servicio autorizado para obtener más información.
- Desconecte el cable de la bujía antes de montar o almacenar el producto, o realizar tareas de mantenimiento.
- No utilice el producto si cambia su especificación inicial. No cambie una parte del producto sin la aprobación del fabricante. Utilice solamente las piezas que están aprobadas por el fabricante. Las lesiones graves o fatales son un posible resultado de un mantenimiento incorrecto.
- No respire los humos del motor. La inhalación prolongada de los gases de escape es un riesgo para la salud.
- No encienda el producto en interiores o cerca de materiales inflamables. Los gases de escape están muy calientes y pueden crear incendios debido a la creación de chispas. Un flujo de aire insuficiente puede causar lesiones graves o fatales por asfixia o debido al monóxido de carbono.
- Cuando utilice este producto, el motor crea un campo electromagnético. El campo electromagnético puede causar daños a implantes médicos. Hable con su médico y fabricante del implante antes de utilizar el producto.

- No deje que un niño utilice el producto. No permita que una persona que no conozca las instrucciones utilice el producto.
- Asegúrese de supervisar siempre a una persona con capacidades físicas o mentales limitadas que utilice el producto. Debe haber un adulto responsable en todo momento.
- Mantenga el producto en un área a la cual los niños y las personas no autorizadas no puedan acceder.
- El producto puede expulsar objetos y causar lesiones. Siga las instrucciones de seguridad para reducir el riesgo de lesiones graves o fatales.
- No se aleje del producto cuando el motor esté en marcha.
- El operador del producto es responsable en caso de un accidente.
- Antes de caminar hacia atrás y mientras lo hace, mire hacia atrás y hacia abajo para cerciorarse de que no haya niños pequeños, animales u otros riesgos que puedan provocar caídas.
- Asegúrese de que las piezas no estén dañadas antes de utilizar el producto.
- Asegúrese de estar al menos 15 m (50 pies) de distancia de otras personas o animales antes de utilizar el producto. Asegúrese de que una persona en el área adyacente sepa que utilizará el producto.
- Consulte las leyes locales o nacionales. Estas pueden evitar o disminuir el funcionamiento del producto en algunas condiciones.

## Instrucciones de seguridad para el funcionamiento

- No ponga las manos ni los pies cerca o debajo de las piezas giratorias. Manténgase alejado de la abertura de descarga en todo momento.
- Tenga extremo cuidado cuando trabaje en caminos, pasos o accesos de grava o pase por ellos. Manténgase alerta para detectar riesgos ocultos o tránsito
- Después de golpear un objeto extraño, detenga el motor, desconecte el cable de la bujía o desconecte el hilo en los motores eléctricos. Inspeccione atentamente la máquina para detectar daños y repárelos antes de volver a encender y ocupar el producto.
- Si el equipo comienza a vibrar de manera anormal, detenga el motor y revise de inmediato para encontrar la causa. La vibración es generalmente una advertencia de problemas.
- Detenga el motor siempre que abandone la posición de operación, antes de destapar la carcasa del barreno o el deflector del conducto y también cuando realice reparaciones, ajustes o inspecciones.
- Cuando realice la limpieza, reparación o inspección del producto, detenga el motor y asegúrese de que los barrenos y todas las piezas móviles se detuvieron. Desconecte el

cable de la bujía y manténgalo lejos de la bujía para evitar que alguien arranque el motor accidentalmente.

- No haga funcionar el motor en interiores, excepto cuando arranque el motor y para el transporte del producto dentro o fuera del edificio. Abra las puertas externas; los gases de escape son peligrosos.
- Ponga extrema atención cuando trabaje en pendientes.
- Nunca haga funcionar el producto sin las debidas protecciones ni los dispositivos protectores de seguridad en su lugar y en funcionamiento.
- Nunca dirija el deflector del conducto hacia las personas o hacia zonas donde puedan ocurrir daños a la propiedad. Mantenga alejados a los niños y a otras personas.
- No sobrecargue la capacidad del producto intentando retirar nieve a una velocidad demasiado rápida.
- Nunca haga funcionar el producto a una alta velocidad de transporte en superficies resbaladizas. Mire hacia atrás y tenga cuidado cuando retroceda.
- Desconecte la alimentación de los barrenos para transportar el producto o cuando no esté en uso.
- Utilice solamente los implementos y accesorios homologados por el fabricante del producto, por ejemplo, los pesos de las ruedas, contrapesos o cabinas.
- Nunca haga funcionar el producto sin buena visibilidad o luz. Preste atención mientras camina y mantenga firmes las empuñaduras. Camine, nunca corra.
- Nunca toque un motor o silenciador calientes.

## Seguridad en el área de trabajo

- Inspeccione atentamente el área donde se va a utilizar el equipo y retire todos los tapetes, trineos, tablas, cables y otros objetos extraños.
- Desacople todos los embragues y ponga el cambio en neutro antes de arrancar el motor.
- No maneje el producto sin usar la indumentaria de invierno adecuada. Evite usar ropa floja que pueda quedar atrapada en las piezas móviles. Utilice calzado que mejore la postura en superficies resbaladizas.
- Manipule el combustible con cuidado; es altamente inflamable.
  - Use un recipiente de combustible aprobado.
  - Nunca agregue combustible a un motor en marcha o caliente.
  - Llene el depósito de combustible en el exterior, con máximo cuidado. Nunca llene el depósito de combustible en interiores
  - Nunca llene los recipientes de combustible dentro de un vehículo, en un camión o sobre la plataforma de un remolque con revestimiento plástico. Siempre coloque los

recipientes en el suelo, alejados del vehículo, antes de rellenar.

- Cuando sea posible, retire el equipo a gasolina del camión o tráiler y reabastézcalo en el suelo. Si no es posible, entonces reabastezca el equipo en un tráiler con un recipiente portátil, en lugar de hacerlo directamente con la boquilla del dispensador de gasolina.
- Mantenga la boquilla en contacto con el borde del depósito o recipiente de combustible abriéndolo siempre hasta que el abastecimiento de combustible esté completo. No use un dispositivo que mantenga abierto el seguro de la boquilla.
- Vuelva a colocar la tapa de la gasolina con seguridad y limpie todo el combustible que se haya derramado.
- Si el combustible se derrama sobre la ropa, cámbiesela de inmediato.
- Utilice los cables de extensión y receptáculos especificados por el fabricante para todas las unidades con motores de transmisión eléctrica o de arranque eléctrico.
- Ajuste la altura de la carcasa del barreno para limpiar superficies rocosas o de grava.
- Nunca intente realizar ajustes con el motor en marcha, excepto si el fabricante lo recomienda específicamente.
- Siempre utilice gafas protectoras o protectores oculares durante el funcionamiento o cuando realice ajustes o reparaciones a fin de proteger los ojos de objetos extraños que puedan ser eyectados de la máquina.

## Equipo de protección personal

Utilice siempre el equipo de protección personal adecuado cuando use el producto. Esto incluye, como mínimo, calzado resistente, protección ocular y protectores auriculares. El equipo de protección personal no elimina el riesgo de lesiones, pero puede disminuir el grado de las lesiones en caso de accidente.

- Siempre use gafas de seguridad o protección ocular cuando opere el producto o realice tareas de mantenimiento o reparación.
- Utilice siempre indumentaria de invierno adecuada cuando opere el producto.
- Utilice siempre botas antideslizantes de servicio pesado con buen soporte de tobillo durante el funcionamiento del producto.
- No utilice ropa floja que pueda quedar atrapada en las piezas móviles.
- Utilice guantes protectores homologados, si es necesario. Por ejemplo, al instalar, examinar o limpiar la cuchilla.
- Use siempre protectores auriculares autorizados cuando utilice el producto. Escuchar ruidos durante un largo período puede provocar pérdida de audición inducida por el ruido.

## Dispositivos de seguridad en el producto

- Asegúrese de realizar el mantenimiento del producto frecuentemente.
  - Esto aumenta la vida útil del producto.
  - Disminuye el riesgo de accidentes.

Permita que un concesionario autorizado o un centro de servicio autorizado examinen frecuentemente el producto para realizar ajustes o reparaciones.

- No use un producto con equipo de protección dañado. Si el producto está dañado, comuníquese con un centro de servicio autorizado.

### Silenciador

El silenciador mantiene los niveles de ruido al mínimo y envía los gases de escape lejos del operador.

No utilice el producto si el silenciador no está instalado o está dañado. Un silenciador dañado aumenta el nivel de ruido y el riesgo de incendio.



**ADVERTENCIA:** El silenciador se calienta mucho durante y después del uso y cuando el motor funciona en régimen de ralentí. Tenga cuidado cerca de materiales o vapores inflamables para prevenir incendios.

### Seguridad de combustible



**ADVERTENCIA:** Lea atentamente las instrucciones de advertencia siguientes antes de usar el producto.

- No arranque el producto si hay combustible o aceite de motor en el producto. Quite el combustible o aceite no deseado y deje secar el producto.
- Si derrama combustible en su ropa, cámbiese la ropa inmediatamente.
- No permita que le caiga combustible en el cuerpo, ya que puede causar lesiones. Si le cae combustible en el cuerpo, utilice jabón y agua para quitarlo.
- No arranque el producto si el motor tiene una fuga. Examine frecuentemente el motor en busca de fugas.
- Tenga cuidado con el combustible. El combustible es inflamable y los gases son explosivos y pueden causar lesiones graves o fatales.
- No respire los gases del combustible, ya que pueden causar lesiones. Asegúrese de que haya suficiente flujo de aire.
- No fume cerca del combustible o del motor.

- No coloque objetos calientes cerca del combustible o del motor.
- No agregue combustible cuando el motor esté en marcha.
- Asegúrese de que el motor se enfríe antes de llenar el depósito de combustible.
- Antes de llenar el depósito de combustible, abra lentamente la tapa del depósito de combustible y libere la presión con cuidado.
- No agregue combustible al motor en un área interior. Un flujo de aire insuficiente puede causar lesiones graves o fatales por asfixia o debido al monóxido de carbono.
- Apriete bien la tapa del depósito de combustible. Si no aprieta la tapa del depósito de combustible, se genera un riesgo de incendio.
- Mueva el producto a un mínimo de 3 m/10 pies de la posición en la que llenó el depósito antes de ponerlo en marcha.
- No llene el depósito de combustible completamente. El calor provoca que el combustible se expanda. Deje espacio en la parte superior del depósito de combustible.

### Seguridad de la batería



**ADVERTENCIA:** Una batería dañada puede provocar una explosión y causar lesiones. Si la batería tiene una deformación o está dañada, hable con un taller de servicio Husqvarna autorizado.



**ADVERTENCIA:** Lea atentamente las instrucciones de advertencia siguientes antes de usar el producto.

- Utilice gafas protectoras cuando esté cerca de las baterías.
- No use relojes, joyas u otros objetos metálicos cerca de la batería.
- Almacene la batería fuera del alcance de los niños.
- Cargue la batería en un espacio con buena ventilación.
- Mantenga los materiales inflamables a una distancia mínima de 1 m cuando cargue la batería.
- Deseche las baterías que ha reemplazado. Consulte *Eliminación en la página 54*.
- La batería puede generar gases explosivos. No fume cerca de la batería. Mantenga la batería lejos de llamas abiertas y chispas.

## Propuesta 65 de California

### ¡ADVERTENCIA!

Este producto contiene o emite productos químicos que pueden causar cáncer, defectos congénitos u otros daños en el sistema reproductor.

## Propuesta 65

### ¡ADVERTENCIA!

Los postes de batería, terminales y accesorios relacionados contienen plomo y compuestos de plomo, químicos que según el Estado de California provocan cáncer y malformaciones congénitas u otros daños reproductivos. Lávese las manos luego de su uso.

## Instrucciones de seguridad para el mantenimiento



**ADVERTENCIA:** Lea atentamente las instrucciones de

advertencia siguientes antes de usar el producto.

- Los gases de escape del motor contienen monóxido de carbono, un gas inodoro, tóxico y muy peligroso. No arranque el motor en interiores o en espacios cerrados.
- Antes de realizar el mantenimiento del producto, detenga el motor y quite el cable de encendido de la bujía.
- Utilice guantes protectores cuando realice las tareas de mantenimiento en las cuchillas. Las cuchillas son muy afiladas y pueden producir cortes con facilidad.
- Accesorios y modificaciones en el producto que no estén aprobados por el fabricante pueden causar lesiones graves o la muerte. No modifique el producto. Siempre utilice accesorios aprobados por el fabricante.
- Si el mantenimiento no se realiza de manera correcta y regular, aumenta el riesgo de sufrir lesiones y causar daños en el producto.
- Solo realice tareas de mantenimiento como se indica en el presente manual del usuario. Todas las demás tareas de mantenimiento se deben realizar en un taller de servicio aprobado.
- Procure realizar las tareas de mantenimiento con regularidad en un taller de servicio aprobado.
- Cambie las piezas dañadas, desgastadas o rotas.

## Montaje

### Para extraer el producto de la caja de cartón

1. Retire las piezas sueltas que se incluyen con el producto. Recorte las cuatro esquinas de la caja y coloque los paneles del extremo en una superficie plana.
2. Extraiga los dos tornillos que sujetan la carcasa del barreno al palé. Extraiga los soportes de acero de las planchas protectoras, si tienen.
3. Retire todos los materiales de embalaje.
4. Retire el producto de la caja y asegúrese de que no queden piezas sueltas en la caja.

### Piezas sueltas

(Fig. 32) Conducto de expulsión (1)

(Fig. 33) Llave(s) ON/OFF

(Fig. 34) Tornillo de 5/16-18 x 2 ¼" (2)

(Fig. 35) Retén del conducto

(Fig. 36) Perillas de la empuñadura (2)

(Fig. 37) Contratuerca de 3/8 (1)

(Fig. 38) Contratuerca de 3/18-16 (1)

(Fig. 39) Pasadores fusibles de ¼-20 x 1,81 (6)

(Fig. 40) Contratuercas de ¼-20 (6)

(Fig. 41) Contratuerca de 5/16-18 (1)

(Fig. 42) Contratuerca de ¼-20 (1)

(Fig. 43) Arandela de nailon (1)

(Fig. 44) Tornillo de 5/16-18 x 5/8 (1)

(Fig. 45) Pasador (1)

(Fig. 46) Palanca de liberación (1)

(Fig. 47) Palanca del conducto de expulsión

(Fig. 48) Muelle (1)

(Fig. 49) Perno de tope de ¼-20 (1)

## Herramientas necesarias

- Llave de 3/8" (1)
- Llave de 7/16" (1)
- Llave de 1/2" (1)
- Enchufe de profundidad de 9/16" (1)

## Para instalar la empuñadura

1. Levante la empuñadura superior a la posición de funcionamiento. (Fig. 54)
2. Ajuste la posición de la empuñadura a uno de los orificios (C). (Fig. 55)
3. Pase el perno (B) a través del agujero (C).
4. Fije la perilla (A) en el perno y apriétela.
5. Fije más pernos (B) y perillas de la empuñadura (C) para conectar la empuñadura superior (A) a la empuñadura inferior (E).

## Instalación del conducto de expulsión

1. Coloque el conjunto de deflector del conducto de expulsión en la parte superior del conducto de expulsión. La compuerta de expulsión debe apuntar hacia la parte delantera del producto.
2. Coloque el cabezal del rotador (A) en el soporte del conducto de expulsión (J).
3. Alinee los pasadores por debajo del cabezal del rotador con los orificios en el soporte del conducto de expulsión.
4. Coloque el cabezal del rotador en el pasador (E) y el espárrago roscado (G) en el soporte (F). (Fig. 56)
5. Fije una contratuerca (B) en el espárrago roscado y apriétela.
6. Fije el retenedor cuadrado (I) con una contratuerca (H).
7. Coloque los cables a través de la ranura para cables del gancho.

## Instalación de la palanca del conducto de expulsión y el cable de liberación

1. Empuje la perilla (D) hacia abajo en la palanca del conducto de expulsión. Utilice un mazo de goma si es necesario.
2. Fije el cable de liberación a la palanca del conducto de expulsión en la conexión (A). (Fig. 57)
3. Asegúrese de que el cable de liberación esté conectado correctamente a la rampa de descarga. (Fig. 58)
4. Coloque el cable de liberación en la ranura (B) en la palanca del conducto de expulsión.
5. Instale el conector cilíndrico del cable (F) a la palanca de liberación (E).

6. Instale la palanca de liberación (E) en la palanca del conducto de expulsión y fijela con el pasador (C).
7. Ajuste el cable de liberación. Consulte *Ajuste del cable de liberación del conducto de expulsión en la página 48*.
8. Ajuste los cables del conducto de expulsión izquierdo y derecho. Consulte *Ajuste de los cables del conducto de expulsión de la izquierda y derecha en la página 48*.

## Instalación del control remoto para el conducto de expulsión del deflector

1. Fije el soporte del cable (A) al conducto de expulsión con un tornillo (B) y una contratuerca de 5/16-18 (D). Apriete el perno.
2. Instale el ojal del cable (E) en el deflector del conducto de expulsión (F). Utilice un perno de tope (G), una arandela de nailon (C), y apriete con una contratuerca de ¼-20 (K). El ojal del cable se aflojará en el perno de tope.
3. Fije el resorte (L) entre la tuerca hexagonal (M) en el cabezal del rotador y el orificio en el deflector del conducto de expulsión. (Fig. 59)

## Instalación del cable de control de velocidad

1. Coloque la palanca de régimen de velocidad en la posición neutra.
2. Fije el cable de control de velocidad (B) a la palanca de régimen de velocidad con el pasador de retención.
3. Fije el cable de control de velocidad al soporte (C) con llaves de 2 ½. Asegúrese de que la palanca de régimen de velocidad permanezca en la posición neutra.
4. Retire el tornillo y la tuerca de mariposa (A) de la palanca acodada para dejar que esta se mueva. (Fig. 60)

## Para instalar el cable de conexión a tierra de la batería

1. Retire la cubierta de la batería.
2. Quite el tornillo del cable de conexión a tierra de la batería. (Fig. 61)
3. Instale el cable de conexión a tierra de la batería. (Fig. 62)
4. Coloque los tornillos que sujetan el cable de la batería. (Fig. 63)
5. Instale la cubierta de la batería.

## Fijación de los pasadores de deslizamiento de recambio

- Fije los pasadores de deslizamiento de recambio en la cubierta del control remoto o en la caja de la batería. (Fig. 64)

---

# Funcionamiento

---

## Antes de arrancar el producto

- Mantenga a las personas y animales alejados de la zona de trabajo.
- Realice un mantenimiento diario. Consulte *Programa de mantenimiento en la página 43*.
- Asegúrese de que el cable de encendido se ajuste correctamente a la bujía.
- Agregue aceite o gasolina, si es necesario. Consulte *Para agregar combustible en la página 40*.

## Para llenar el motor con aceite:



**AVISO:** No gire la varilla de nivel cuando revise el aceite. No llene por encima de la marca.

1. Retire el tapón de aceite y limpie la varilla. Consulte *Descripción general del producto en la página 33* para ver la ubicación de la varilla de nivel.
2. Llene con aceite hasta la marca superior de la varilla de nivel. Utilice la varilla de nivel para examinar el nivel de aceite en intervalos regulares.
3. Vuelva a colocar el tapón del aceite.

## Para agregar combustible

No utilice gasolina con un octanaje inferior a 90 RON (86 AKI). Estos motores funcionan mejor con gasolina sin plomo.



### AVISO:

- No use gasolina vencida, gasolina contaminada ni una mezcla de aceite y gasolina.
- Evite que entre suciedad o agua en el depósito de combustible.
- Utilice únicamente recipientes de combustible adecuados y márkuelos para identificarlos más fácilmente.
- NO utilice combustibles mezclados E85. Estos motores no son compatibles con E20/E30/E85.
- El contenido del etanol debe ser de un 10 % como máximo.

1. Abra lentamente la tapa del depósito de combustible para liberar la presión.
2. Llene lentamente con un bidón de combustible. Si derrama combustible, límpielo con un paño y deje que se sequen los restos.
3. Limpie el área alrededor del tapón del depósito de combustible.

4. Apriete bien la tapa del depósito de combustible. Si no aprieta la tapa del depósito de combustible, se genera un riesgo de incendio.
5. Mueva el producto a un mínimo de 3 m (10 pies) de la posición en la que llenó el depósito antes de ponerlo en marcha.

## Para arrancar el motor con arranque manual

1. Coloque la llave de encendido/apagado (ON/OFF) en la ranura de encendido (B). No gire la llave. (Fig. 65)
2. Coloque el acelerador (A) en la posición FAST (Rápido).
3. Gire la llave de encendido/apagado (ON/OFF) a la posición de encendido (ON).
4. Tire de la empuñadura del cordón de arranque (D).



**AVISO:** No suelte la empuñadura del cordón de arranque en forma rápida. Muévala lentamente a la posición de arranque.

**Tenga en cuenta:** Si el cordón de arranque se congela, retire lentamente la mayor cantidad de cordón del arranque que pueda. Libere la empuñadura del cordón de arranque. Si el motor no arranca, repita el procedimiento o utilice el arranque eléctrico.

5. Haga funcionar el motor entre 2 y 3 minutos a muy baja velocidad antes de comenzar a quitar la nieve.
6. Si el motor no funciona correctamente, apáguelo.

## Para arrancar el motor con arranque eléctrico

1. Coloque la llave de encendido/apagado (ON/OFF) en la ranura de encendido (B). No gire la llave.
2. Coloque el acelerador (A) en la posición FAST (Rápido).
3. Coloque la llave de encendido/apagado (ON/OFF) en la posición de encendido (ON). (Fig. 65)
4. Gire la llave de encendido/apagado (ON/OFF) para ARRANCAR. Cuando el motor arranque, suelte la llave.



**AVISO:** No haga funcionar el motor de arranque durante más de 5 segundos cada vez que intenta arrancar. Espere de 5 a 10 segundos entre cada intento.



- Haga funcionar el motor entre 2 y 3 minutos a muy baja velocidad antes de comenzar a quitar la nieve.

## Para hacer funcionar el producto



**AVISO:** No acople parcialmente la palanca de la transmisión o del barreno durante un período prolongado, ya que esto puede provocar un desgaste prematuro de las correas o que estas se quemem.

**Tenga en cuenta:** Cuando se conectan tanto el acoplamiento de la transmisión como el del barreno, el acoplamiento de la transmisión bloqueará el acoplamiento del barreno en su posición. Utilice la mano derecha para manipular el conducto de expulsión de nieve.

- Para acoplar las hojas del barreno, presione el acoplamiento del barreno (A) contra la empuñadura para conectar el barreno y quitar nieve. (Fig. 66)
- Levante la palanca de control de régimen de velocidad de la transmisión (C) desde la posición central para mover el producto hacia delante cuando esté conectado el acoplamiento de la transmisión (B).
- Baje la palanca de control de velocidad de la transmisión desde la posición central para mover el producto hacia atrás cuando esté conectado el acoplamiento de la transmisión. (Fig. 67)
- Para que el producto se mueva en la dirección seleccionada, sostenga el acoplamiento de la transmisión contra la empuñadura.
- Si el producto cuenta con dirección asistida, sostenga el gatillo de dirección izquierdo (D) para girar hacia la izquierda. Sujete el gatillo de dirección derecho para girar hacia la derecha. (Fig. 68)

## Control del acelerador

**Tenga en cuenta:** Si la nieve está mojada o pesada, use los modos de velocidad o impulso.

El control del acelerador se ajusta al régimen del motor. Tiene 3 modalidades: impulso, rápido y lento. (Fig. 69)

- Impulso (A): para aumentar la velocidad cuando el producto se maneja, pero no para quitar la nieve, ni para aumentar la distancia en que la nieve se expulsa.
- Rápido (B): funcionamiento estándar
- Lento (C): para reducir la distancia a la que la nieve se expulsa, o para disminuir el ruido del motor

## Para utilizar el control del acelerador

- Gire el control de régimen del motor para cambiar su velocidad.

## Uso de los mangos térmicos

- Mueva el interruptor a "I" para iniciar la calefacción de las empuñaduras.
- Mueva el interruptor a "O" para detener la calefacción de las empuñaduras. (Fig. 70)

## Para detener la máquina

- Gire la llave a la posición STOP (Detener). (Fig. 71)
- Retire la llave de encendido/apagado (ON/OFF).

## Para ajustar la posición neutra

- Encienda el producto. Consulte *Para arrancar el motor con arranque manual en la página 40* O bien *Para arrancar el motor con arranque eléctrico en la página 40*.
- Mueva la palanca de velocidad de transmisión a la posición neutra.
- Accione el acoplamiento de la transmisión. Si el producto avanza, siga los pasos que se indican a continuación:
  - Detenga la máquina.
  - Afloje la tuerca (A) con dos llaves de ½". (Fig. 72)
  - Mueva hacia abajo la conexión roscada metálica.
  - Apriete la tuerca (B) para bloquear la nueva posición del cable.
  - Ajuste la posición del cable hasta que el producto no avance cuando la conexión de la transmisión esté conectada y la palanca de velocidad de la transmisión esté en la posición neutra.
- Si el producto se mueve hacia atrás cuando la conexión de la transmisión está conectada y la palanca de velocidad de la transmisión está en la posición neutra, siga los pasos que se indican a continuación:
  - Detenga la máquina.
  - Afloje la tuerca (C) con dos llaves de ½". (Fig. 73)
  - Mueva hacia arriba la conexión roscada metálica.
  - Apriete la tuerca (D) para bloquear la nueva posición del cable.
  - Ajuste la posición del cable hasta que el producto no se mueva hacia atrás cuando la conexión de la transmisión esté conectada y la palanca de velocidad de la transmisión esté en la posición neutra.

## Ajuste del conducto de expulsión y de su deflector

1. Empuje la palanca de liberación (B) en la palanca del conducto de expulsión (A) y ajuste el conducto de expulsión a la posición izquierda o derecha. (Fig. 74)
2. Mueva la palanca de control remoto (C) para ajustar la distancia de expulsión de la nieve.
  - a) Mueva la palanca de control remoto hacia arriba para disminuir la distancia de expulsión de la nieve.
  - b) Mueva la palanca de control remoto hacia abajo para disminuir la distancia de expulsión de la nieve.

## Para ajustar las planchas protectoras:

Las placas protectoras previenen los daños en la parte inferior de la quitanieves. Ajuste las placas protectoras (A) cuando la contratuerca (B) se afloje, o cuando las placas protectoras no se encuentren en la distancia correcta desde el suelo. No es necesario realizar ajustes en el caso de una instalación normal.

1. Afloje la contratuerca (B) con una llave mixta de 13 mm ( $\frac{1}{2}$  pulg.).
2. Mueva las placas protectoras (A) hacia arriba o hacia abajo.
  - a) En superficies planas, establezca la distancia entre la espada del rascador y el suelo en entre 5 a 6 mm (0,2 a 0,25 pulg.).
  - b) En superficies irregulares, establezca las placas protectoras (A) en una posición donde la espada del rascador esté por encima de la superficie del suelo.



### ADVERTENCIA:

Asegúrese de que no entren piedras o grava al producto. Los objetos que se expulsan a alta velocidad pueden causar lesiones.

3. Apriete la contratuerca (B). (Fig. 75)

## Para utilizar las cortadoras de deriva (si están equipadas)

Utilice las cortadoras de deriva para cortar pasada la parte delantera del producto a través de los ventisqueros.

1. Afloje las tuercas de ajuste (A) en ambos lados del producto para permitir que cada cortadora de deriva (B) se suba a su posición más alta. (Fig. 76)
2. Apriete las tuercas.
3. Baje las cortadoras de deriva después de usarlas.

## Ajuste de la altura de la tolva sinfín (solo para ST 424T/427T/430T)

1. Empuje la palanca (A) hacia abajo. (Fig. 77)
2. Mueva las manillas (B) hacia arriba o hacia abajo para ajustar la altura de la tolva sinfín.
3. Suelte la palanca (A) para bloquear la tolva sinfín en su posición.

**Tenga en cuenta:** La tolva sinfín se puede establecer en una posición de desbloqueo. Esto permite que la tolva sinfín se adapte al terreno. Para establecer la tolva sinfín en la posición de desbloqueo, empuje la palanca (A) hacia abajo y hacia la derecha.

## Para evitar el congelamiento después de su uso

**Tenga en cuenta:** Los controles y las piezas móviles se pueden obstruir con el hielo. No aplique demasiada fuerza a los controles. Si no puede manipular un control o una pieza, arranque el motor y déjelo funcionar durante unos minutos.

1. Arranque el motor y déjelo funcionar durante unos minutos. Detenga el motor y espere a que se detengan todas las piezas móviles.
2. Retire la nieve y el hielo suelto del producto.
3. Retire la nieve y el hielo suelto de la base del conducto de expulsión.
4. Gire el deflector del conducto de expulsión hacia la izquierda y hacia la derecha para quitar el hielo y el agua.
5. Coloque la llave en la posición de apagado (OFF).
6. Si el producto no tiene arranque eléctrico, tire la empuñadura del cordón de arranque varias veces para quitar el hielo y el agua.

## Para conseguir un buen resultado

- Siempre haga funcionar el motor en aceleración máxima o cerca de la aceleración máxima.
- Adapte siempre la velocidad del producto a la situación de la nieve. Ajuste la velocidad con la palanca de ajuste del régimen de velocidad. Asegúrese de que el producto lance la nieve de manera uniforme.
- Es más fácil y eficiente retirar la nieve inmediatamente después de que cae.
- Siempre que sea posible, arroje la nieve en la dirección del viento.
- En superficies planas, como caminos asfaltados, levante las planchas protectoras entre 5 y 6 mm (0,2 y 0,25") desde el suelo.

- La espada del raspador es reversible. Cuando se desgasta casi hasta el borde de la carcasa, úsela por el otro lado. Reemplace la espada del raspador si está dañada o si ambos lados están desgastados.
- No despache el deflector del conducto si está obstruido.
- Si el producto no avanza debido a circunstancias imprevistas, suelte el acoplamiento de la transmisión inmediatamente o mueva la llave de encendido/apagado (ON/OFF) a la posición de apagado (OFF).

## Mantenimiento

### Introducción

Cuando el producto esté en uso, los pernos se pueden aflojar y los componentes se pueden desgastar. Esto puede causar alteraciones, como

una holgura de tolerancia incorrecta, mayor consumo de aceite o la alineación incorrecta de los diversos componentes. Realice un mantenimiento periódico al producto para evitar que funcione de manera incorrecta.

### Programa de mantenimiento

Mantenimiento	A diario	A intervalos de 15 horas	A intervalos de 20 horas	A intervalos de 40 horas	A intervalos de 100 horas
Apriete todas las tuercas y tornillos.	X				
Compruebe el nivel de aceite del motor	X				
Cambie el aceite del motor			X		
Compruebe y ajuste la tensión de la banda (solo ST 424T/427T/430T)		X			
Asegúrese de que no haya fugas de combustible o aceite	X				
Retire los obstáculos del barrenado	X				
Lubrique los ganchos de interbloqueo <sup>9</sup>			X		
Lubrique los accesorios de cables <sup>10</sup>			X		
Compruebe la presión de los neumáticos (solo para ST 424/427/430)				X	

<sup>9</sup> Lubrique también al comienzo de cada temporada.

<sup>10</sup> Lubrique también al comienzo de cada temporada.

Mantenimiento	A diario	A intervalos de 15 horas	A intervalos de 20 horas	A intervalos de 40 horas	A intervalos de 100 horas
Inspeccione y cambie las bujías antes de usar, al inicio de cada temporada, y en los intervalos recomendados					X

**Tenga en cuenta:** La caja de cambios no necesita mantenimiento.

## Para hacer una inspección general

- Asegúrese de que todas las tuercas y los tornillos del producto estén apretados de forma adecuada.

## Recordatorio de cambio de aceite

El recordatorio de cambio de aceite (A) es una función que señala que un cambio de aceite es necesario. El recordatorio de cambio de aceite enciende un símbolo de lata de aceite en la pantalla después de 20 horas de funcionamiento. Este símbolo de lata de aceite está encendido durante 2 horas o hasta que se reinicie de forma manual. (Fig. 78)

## Restablecimiento del recordatorio de cambio de aceite

- Gire la llave de encendido/apagado (ON/OFF) a la posición de encendido (ON) y manténgala en esa posición durante 1 segundo.
- Gire la llave de encendido/apagado (ON/OFF) a la posición de parada (STOP) y manténgala en esa posición durante 1 segundo.
- Realice este procedimiento 4 veces más.

## Para comprobar el nivel de aceite



**AVISO:** Un nivel de aceite demasiado bajo puede dañar el motor. Revise el nivel de aceite antes de utilizar el producto.

- Coloque el producto en un terreno plano.
- Retire el tapón del depósito de aceite junto con la varilla de nivel incluida.
- Limpie el aceite de la varilla de nivel.
- Vuelva a colocar la varilla de nivel completa en el depósito de aceite para tener una idea correcta del nivel de aceite.
- Quitó la varilla de nivel.
- Examine el nivel de aceite con la varilla de nivel.

- Si el nivel de aceite es bajo, llene con aceite de motor y revise nuevamente.

## Para cambiar el aceite del motor:

- Haga funcionar el motor durante unos minutos para entibiar el aceite. El aceite tibio fluye mejor y transporta menos contaminantes.



**ADVERTENCIA:** El aceite del motor está caliente. Evite que el aceite de motor usado entre en contacto con la piel.

- Coloque el producto en un terreno plano.
- Retire la llave de encendido/apagado (ON/OFF).
- Coloque un recipiente debajo del tapón de vaciado de aceite.
- Quite el tapón de vaciado de aceite, incline el producto y drene el aceite utilizado en el recipiente.
- Vuelva a poner el producto en la posición de funcionamiento.
- Coloque el tapón de vaciado de aceite y apriételo con la mano.
- Llene el motor con aceite; consulte *Para llenar el motor con aceite: en la página 40* para obtener más información.

## Para lubricar el producto

- Lubrique los puntos de pivote (A) con aceite.
- Lubrique el motor (B) con aceite.
- Lubrique el enclavamiento de enganches (C) con una pequeña cantidad de grasa de litio.
- Lubrique las conexiones del cable de la transmisión y la tolva sinfín (D) con aceite. (Fig. 79)

## Batería

### Para comenzar con una batería descargada

**Tenga en cuenta:** La energía de la batería es necesaria para ejecutar la bomba de combustible para el sistema EFI.

Si la carga de la batería es demasiado baja, realice uno de estos pasos:

- Cargue la batería; consulte la *Para cargar la batería en la página 45De*
- Conecte el producto a una fuente de alimentación externa, como la batería, a un vehículo diferente.

## Mantenimiento de la batería

**Tenga en cuenta:** La batería de su producto no requiere mantenimiento. No abra ni retire las tapas ni las cubiertas.

## Para cargar la batería

**Tenga en cuenta:** Antes del almacenamiento prolongado, cargue la batería regularmente con un cargador de batería para prolongar su vida útil.

1. Retire la cubierta de la batería. Consulte *Para reemplazar la batería en la página 45*.
2. Limpie los terminales Consulte *Para limpiar la batería y los terminales en la página 45*.
3. Conecte el cargador de la batería a un conector del cargador de baterías. (Fig. 80)

**Tenga en cuenta:** Para los cargadores correspondientes, consulte *Accesorios en la página 55De*

4. Cuando la batería esté cargada, desconecte el cargador.
5. Instale la cubierta de la batería.

## Para reemplazar la batería



**ADVERTENCIA:** Riesgo de sacudida eléctrica. No permita que los objetos metálicos hagan contacto con los 2 terminales de la batería. Esto puede provocar un cortocircuito de la batería.

1. Afloje la perilla (A) y luego incline la parte inferior de la cubierta en dirección del motor. Levante la cubierta de la batería de las sujeciones (B). (Fig. 81)
2. Desconecte el cable NEGRO de la batería.



**ADVERTENCIA:** El cable NEGRO se debe desconectar primero.

3. Desconecte el cable ROJO de la batería.
4. Suelte las tuercas y retire los tirantes de la batería.
5. Retire con cuidado la batería del producto.
6. Instale una batería nueva.

7. Conecte el cable ROJO de la batería y apriete el perno.



**ADVERTENCIA:** Riesgo de chispas. El cable ROJO se debe conectar primero.

8. Conecte el cable NEGRO y apriete el perno.
9. Instale la cubierta de la batería.

## Para limpiar la batería y los terminales

1. Extraiga la batería. Consulte *Para reemplazar la batería en la página 45*.
2. Enjuague la batería con agua limpia y deje secar.
3. Limpie los terminales y los extremos de los cables de la batería con un cepillo hasta que estén brillantes.
4. Lubrique los terminales con grasa.
5. Instale la batería. Consulte *Para reemplazar la batería en la página 45*.
6. Instale la cubierta de la batería.

## Silenciador

El silenciador mantiene los niveles de ruido al mínimo y envía los gases de escape lejos del operador.

No utilice el producto si el silenciador no está instalado o está dañado. Un silenciador dañado aumenta el nivel de ruido y el riesgo de incendio.



**ADVERTENCIA:** El silenciador se calienta mucho durante y después del uso y cuando el motor funciona en régimen de ralentí. Tenga cuidado cerca de materiales o vapores inflamables para prevenir incendios.

## Para examinar la bujía



**AVISO:** Utilice siempre el tipo de bujía recomendada. El tipo de bujía incorrecto puede causar daños en el producto.

- Examine la bujía si el motor tiene una potencia demasiado baja, no arranca fácilmente o no funciona correctamente al régimen de ralentí.
- Si la bujía está sucia, límpiela y asegúrese de que la distancia entre los electrodos sea la correcta, consulte *Datos técnicos en la página 54*. (Fig. 82)
- Reemplace la bujía si es necesario.

## Para inspeccionar los barrenos y la espada del raspador:

1. Antes de cada uso, inspeccione los barrenos y la espada del raspador para ver si muestras signos de desgaste.
2. Si el borde de la espada del raspador está desgastado, úsela por el otro lado. Si la espada del raspador tiene daños o desgaste en ambos bordes, reemplácela.
3. Si los bordes de los barrenos están desgastados, comuníquese con un centro de servicio autorizado para reemplazarlos.

## Para reemplazar los pasadores fusibles del barreno

Los pasadores fusibles protegen el producto de daños. Los pasadores fusibles del barreno se rompen si un objeto entra en contacto con las piezas móviles.



**AVISO:** Utilice únicamente los pasadores fusibles originales que se suministran con el producto.

1. Si un pasador fusible del barreno se rompe, detenga el motor y espere a que las piezas móviles se detengan.
2. Retire la llave de encendido/apagado (ON/OFF) y desconecte el cable de la bujía.
3. Alinee el orificio del cubo del barreno (B) con el orificio del eje del barreno (C) e instale un nuevo pasador fusible de ¼-20 x 2 (A).
4. Instale una contratuerca de ¼-20 (D) en el pasador fusible y apriétela. (Fig. 83)
5. Coloque la llave de encendido/apagado (ON/OFF) en el encendido y conecte el cable de la bujía a la bujía.

## Para reemplazar los pasadores fusibles del propulsor

Los pasadores fusibles del propulsor protegen el producto de daños. Los pasadores fusibles del propulsor se rompen si un objeto entra en contacto con las piezas móviles.



**AVISO:** Utilice únicamente los pasadores fusibles originales que se suministran con el producto.

1. Si un pasador fusible del propulsor se rompe, detenga el motor y espere a que las piezas móviles se detengan.
2. Retire la llave de encendido/apagado (ON/OFF) y desconecte el cable de la bujía.
3. Alinee el orificio del cubo del propulsor (A) con los orificios del eje del barreno (B) e instale un nuevo pasador fusible de ¼-20 (C).

4. Instale una contratuerca de ¼-20 (D) en el pasador fusible y apriétela. (Fig. 84)
5. Coloque la llave de encendido/apagado (ON/OFF) en el encendido y conecte el cable de la bujía a la bujía.

## Para reemplazar el fusible

Los portafusibles se instalan detrás de la cubierta de la batería.

(Fig. 85)

- Cambie el fusible de la unidad de control del motor (A) por un fusible de 5 A.
- Cambie el fusible del solenoide de arranque (B) por un fusible de 20 A.
- Cambie el fusible del LED y de las manillas térmicas (C) por un fusible de 5 A.
- La posición (D) contiene un fusible de 5 A de respaldo.

## Para examinar los neumáticos

- Mantenga los neumáticos libres de combustible, aceite y productos químicos para evitar dañar el caucho.
- Mantenga los neumáticos alejados de tocones, piedras, baches, objetos filosos y otros objetos que puedan dañarlos.
- Mantenga la presión de los neumáticos correcta; consulte *Datos técnicos en la página 54* para obtener más información.

## Eliminación de obstrucciones del deflector del conducto de expulsión:

No elimine la obstrucción del deflector del conducto de expulsión sin haber realizado las siguientes operaciones:

1. Libere el acoplamiento del barreno y de la transmisión al mismo tiempo.
2. Espere 10 segundos para asegurarse de que los barrenos se detuvieron.
3. Apague el producto.
4. Utilice la herramienta de limpieza (de al menos 37 cm [15"] de longitud, que se incluye en algunos modelos) para eliminar la obstrucción.



**ADVERTENCIA:** No ponga las manos en el deflector del conducto de expulsión o en la tolva sinfín.

## Para reemplazar la espada del raspador

1. Coloque la espada del raspador (A) invertida cuando se haya desgastado hasta el borde de la carcasa. (Fig. 86)
2. Reemplace la espada del raspador si está desgastada en ambos lados o si está dañada.

## Correas de transmisión



**ADVERTENCIA:** Las correas trapezoidales del producto son de fabricación especial y deben cambiarse por correas del fabricante del equipo original (OEM, por su sigla en inglés) disponibles en su centro de servicio más cercano. Usar correas no fabricadas por el OEM puede conllevar a daños personales o daños al producto.



**ADVERTENCIA:** Para reemplazar las correas, es necesario desmontar el producto. Al desmontar la carcasa del barreno del bastidor, es importante que un ayudante se ubique en la posición de manipulación del producto y sostenga las empuñaduras. Pueden producirse daños personales graves o daños al producto si este se cae durante el reemplazo de las correas.

### Para preparar el reemplazo de las correas

1. Vacíe el combustible del depósito de combustible.
2. Afloje la contratuerca (A) que fija el cabezal del rotador del conducto (B) al soporte de montaje (C) para retirar el conducto de expulsión. (Fig. 87)
3. Afloje los dos tornillos (A) que fijan la cubierta de la correa (B) al bastidor (C) y retire la cubierta de la correa. (Fig. 88)

### Para retirar la correa de transmisión

1. Retire la correa del barreno (A). Consulte *Retiro de la correa del barreno (solo para ST 424/427/430 ) en la página 47.*
2. Retire el perno de la polea de 9/16 pulg. (B) y retire la polea del motor (C) del motor. (Fig. 89)
3. Retire la correa de transmisión (D) de la polea inferior (E).

### Para instalar la correa de transmisión

1. Coloque la correa de transmisión en la polea inferior (E).

**Tenga en cuenta:** Asegúrese de colocar correctamente la correa de transmisión en la ranura de la polea inferior.

2. Coloque la correa de transmisión en la ranura de la polea del motor (C). (Fig. 89)
3. Instale el perno de la polea de 9/16 (B) y fije la polea del motor (C) en el motor. Apriete el perno de la polea (41 - 47 Nm/30-35 pies- lb).
4. Instale la correa del barreno (A). Consulte *Para instalar la correa del barreno en la página 48.*

5. Haga funcionar todos los controles para asegurarse de que la correa de transmisión esté correctamente instalada y de que todos los componentes se muevan correctamente.

### Para instalar la cubierta de la correa

1. Instale la cubierta de la correa (B) en el bastidor (C) y apriete los dos tornillos (A). (Fig. 88)
2. Instale el conducto de expulsión.

### Ajuste de la tensión de la correa de transmisión

1. Retire la cubierta de la correa. Consulte *Para preparar el reemplazo de las correas en la página 47.*
2. Afloje la tuerca de la polea tensora (A).
3. Mueva la polea tensora (B) en dirección de la correa para aumentar la tensión de la correa. Aléjela de la correa para disminuir la tensión de la correa. (Fig. 90)
4. Apriete la tuerca de la polea tensora (A).
5. Presione y suelte la palanca de ajuste del régimen de velocidad. Si la correa de transmisión tiene tensión cuando se suelta la palanca de ajuste del régimen de velocidad, aleje la polea tensora de la correa de transmisión para liberar la tensión de la correa.
6. Instale la cubierta de la correa Consulte *Para instalar la cubierta de la correa en la página 47.*

### Retiro de la correa del barreno (solo para ST 424/427/430 )

1. Retire la tuerca de 5/16" la tuerca y la cubierta del cable (E) del bastidor. (Fig. 91)
2. Retire los pernos de 5/16" superiores y los pernos de 1/4" inferiores (D) de los 2 lados del bastidor. No bote los pernos.
3. Afloje, sin retirar, los pernos inferiores de 5/16" (C) de los dos lados del bastidor.
4. Retire la correa del barreno (B) de la polea del motor (A).
5. Incline la sección trasera hacia abajo. La sección delantera se inclinará hacia delante al mismo tiempo. El perno inferior es una bisagra entre las secciones delantera y trasera.
6. Coloque un bloque de madera debajo del punto de bisagra para mantener el producto inclinado.
7. Mueva el brazo de freno del barreno y retire la correa del barreno (B) de alrededor del brazo del freno del barreno.

### Retiro de la correa del barreno (solo para ST 424T/427T/430T )

1. Retire la tuerca de 5/16" la tuerca y la cubierta del cable (E) del bastidor. (Fig. 92)
2. Retire los pernos de 5/16" superiores de los 2 lados del bastidor. No bote los pernos.

3. Retire los pernos de 5/16" (C) inferiores de los 2 lados del bastidor.
4. Retire la correa del barreno (B) de la polea del motor (A).
5. Utilice la palanca de ajuste de la tolva sinfín para inclinar la sección trasera hacia abajo. La sección delantera se inclinará hacia delante al mismo tiempo. El perno inferior es una bisagra entre las secciones delantera y trasera.
6. Coloque un bloque de madera debajo del punto de bisagra para mantener el producto inclinado.
7. Mueva el brazo de freno del barreno y retire la correa del barreno (B) de alrededor del brazo del freno del barreno.

### Para instalar la correa del barreno

1. Mueva el brazo del freno del barreno (G). Coloque la correa del barreno alrededor y en la ranura de la polea de barreno (E). (Fig. 93)



**AVISO:** Asegúrese de que la correa no quede atrapada entre el bastidor y la carcasa del barreno cuando junte la unidad.

2. Retire el bloque de madera de abajo del producto.
3. Levante las empuñaduras para inclinar la sección trasera hacia arriba. La sección delantera se inclinará hacia atrás y pivotará para unirse a la sección trasera.
4. Asegúrese de colocar correctamente la correa en la ranura de la polea del barreno (E).
5. Instale los pernos de 5/16" (C) y apriételos (11-16 Nm).
6. Solo para ST 424/427/430 : Instale los pernos de ¼" (D) y apriételos (5-8 Nm).
7. Instale la correa del barreno (B) en la polea del motor (A). Asegúrese de que la correa se coloque correctamente alrededor de la polea tensora e instale adecuadamente en la ranura de la polea del motor.
8. Instale la cubierta del cable (F) y la tuerca de 5/16" en el bastidor.
9. Haga funcionar todos los controles para asegurarse de que la correa del barreno esté correctamente instalada y de que todos los componentes se muevan correctamente.

### Ajuste de la tensión de la correa del barreno

**Tenga en cuenta:** Se necesita un asistente para realizar esta tarea.

1. Retire la cubierta de la correa. Consulte *Para preparar el reemplazo de las correas en la página 47*.
2. Afloje la tuerca de la polea tensora (A). (Fig. 94)

3. Mueva la polea tensora (B) en dirección de la correa del barreno para aumentar la tensión de la correa. Aléjela de la correa del barreno para disminuir la tensión de la correa.
4. Apriete la tuerca de la polea tensora (A).
5. Posicione el asistente a 3 m (10 pies) delante del producto para controlar el movimiento del barreno.
6. Presione y suelte la conexión del barreno para arrancar y detener el barreno.
7. Mida el tiempo en que el barreno deja de moverse. Si el barreno se detiene antes de 5 segundos, suelte la tensión de la correa.
8. Cuando el barreno se detenga antes de los 5 segundos, instale la cubierta de la correa. Consulte *Para instalar la cubierta de la correa en la página 47*.

### Para ajustar el cable de control del barreno

1. Retire la cubierta del cable del lado derecho del bastidor (D). (Fig. 95)
2. Para eliminar la holgura del cable de control del barreno, desatornille la tuerca de inmovilización inferior (B) y apriete la tuerca de inmovilización superior (B) hasta que aumente la tensión de la correa del barreno.
3. Vuelva a probar el acoplamiento del barreno. Repita el ajuste según sea necesario hasta que la holgura del cable sea poca cuando la palanca esté desacoplada.
4. Apriete la tuerca de inmovilización inferior para bloquear la tensión.

**Tenga en cuenta:** También puede tensar la correa del barreno ajustando la polea tensora como segunda opción. Si el ajuste no resuelve el problema, cambie la correa del barreno. Consulte *Para instalar la correa del barreno en la página 48*.

### Ajuste del cable de liberación del conducto de expulsión

1. Para ajustar el cable de liberación, gire el ajustador del cable hasta que la palanca de liberación de la canaleta de expulsión no se mueva libremente. (Fig. 96)

### Ajuste de los cables del conducto de expulsión de la izquierda y derecha

1. Coloque la palanca del conducto de expulsión en la posición central.
2. Gire los ajustadores de cables hasta que el conducto de expulsión apunte hacia delante y que los cables estén bien ajustados. (Fig. 97)
3. Afloje los ajustadores de cables de ¼, gírelos para que los cables estén menos apretados.



## Para quitar las ruedas

1. Extraiga el pasador de la rueda (A) y el pasador de retención (B).
2. Quite la rueda del eje (C). (Fig. 98)

## Ajuste de la tensión de la banda continua (solo para ST 424T/427T/430T )

---

**Tenga en cuenta:** Las herramientas necesarias para esta tarea: un enchufe de profundidad de 9/16", una llave de 9/16" y un peso de 5 kg (10 lb).

---

1. Afloje el tornillo de fijación (A) 1 vuelta.
2. Retire la contratuerca trasera (B) para acceder a la tuerca de ajuste. (Fig. 99)

3. Ponga un peso de 5 kg (10 lb) (C) en la parte superior de la banda continua, en el centro entre las 2 ruedas.
4. Gire la tuerca de ajuste (B) hasta que la distancia (D) entre la banda continua y la placa de acero se encuentre entre 3,175 y 6,350 mm (0,125 y 0,250") de ancho. (Fig. 100)
5. Fije el tornillo de fijación (A) y, luego, la contratuerca trasera (B).

## Para limpiar el producto

- Limpie las piezas de plástico con un paño limpio y seco.
- No use limpiadores de alta presión para limpiar el producto.
- No arroje agua directamente sobre el motor.
- Utilice un cepillo para retirar las hojas, el césped y la suciedad.

## Solución de problemas

Problema	Causa posible	Solución
El producto no arranca	La llave de encendido de seguridad no se encuentra inserta.	Inserte la llave de encendido de seguridad.
	El producto no tiene combustible.	Llene el depósito de combustible con gasolina nueva y limpia.
	La llave de encendido/apagado (ON/OFF) está en la posición OFF (Apagado).	Mueva la llave de encendido/apagado (ON/OFF) a la posición ON (Encendido).
	El motor está inundado.	<p>Espere unos minutos antes de volver a arrancar, NO presione el cebador.</p> <p>Vuelva a arrancar el motor con la aceleración máxima y el estrangulador en la posición OFF (CLOSE) (Apagado [Cerrado]).</p>
	El cable de la bujía no está conectado.	Conecte el cable a la bujía.
	La bujía está defectuosa.	Reemplace la bujía.
	Hay agua en el combustible o el combustible es demasiado antiguo.	Vacíe el depósito de combustible y el carburador. Llene el depósito de combustible con gasolina nueva y limpia.
	Hay vapor en la tubería de combustible.	Asegúrese de que toda la tubería de combustible esté por debajo de la salida del depósito de combustible. La tubería de combustible debe fluir de forma continua hacia abajo desde el depósito de combustible hasta el carburador.
	Otras causas.	Inspeccione con cuidado los procedimientos de arranque de este manual.
	La batería de arranque no está cargada.	Cargue la batería de arranque.
	Se debe reemplazar la batería de arranque.	Cambie la batería de arranque.
	La unidad de control del motor no recibe alimentación.	Inspeccione el fusible ECU y el cableado.
	El solenoide de arranque no se conecta.	Inspeccione el fusible de arranque y el cableado.
	El inyector de combustible no se activa.	Comuníquese con un centro de servicio autorizado.
La bomba de combustible no recibe alimentación.	Comuníquese con un centro de servicio autorizado.	

<b>Problema</b>	<b>Causa posible</b>	<b>Solución</b>
Potencia reducida	El cable de la bujía no está conectado.	Conecte el cable a la bujía.
	El producto lanza demasiada nieve.	Disminuya la velocidad y el ancho de la hilera.
	La tapa del depósito de combustible está cubierta de hielo o nieve.	Retire el hielo y la nieve del tapón del depósito de combustible y alrededor de él.
	El silenciador está sucio u obstruido.	Limpie o reemplace el silenciador.
	Longitud incorrecta del cable.	Ajuste el cable.
	El silenciador está obstruido.	Asegúrese de que el motor esté frío. Limpie la obstrucción.
	La toma de aire del carburador está obstruida.	Asegúrese de que el motor esté frío. Limpie la obstrucción.
	El inyector de combustible no se activa.	Comuníquese con un centro de servicio autorizado.
El motor funciona en ralentí o de forma irregular	La tubería de combustible está obstruida.	Limpie la tubería de combustible.
	Hay agua en el combustible o el combustible es demasiado antiguo.	Vacíe el depósito de combustible y el carburador. Llene el depósito de combustible con gasolina nueva y limpia.
	El inyector de combustible no se activa.	Comuníquese con un centro de servicio autorizado.
Movimiento del manillar / vibración excesiva	Algunas piezas están sueltas. Los barrenos están dañados.	Apriete todas las sujeciones. Reemplace todas las piezas dañadas. Si la vibración persiste, comuníquese con un centro de servicio autorizado.
	Los manillares no están colocados de manera correcta.	Asegúrese de que los manillares estén trabados en su posición.
	Las tuercas de la palanca de ajuste están sueltas.	Apriete las tuercas hasta que el manillar se sienta firme.
Cuesta extraer la empuñadura del cordón de arranque	La empuñadura del cordón de arranque está congelada.	Tire lentamente hacia afuera la mayor cantidad de cordón posible del mecanismo de arranque y suelte la empuñadura del cordón de arranque. Si el motor no arranca, repita el procedimiento o utilice el mecanismo de arranque eléctrico.
	El cordón de arranque interfiere en los componentes.	El cordón de arranque no debe tocar cables ni mangueras.

Problema	Causa posible	Solución
Pérdida de tracción o ralentización de la velocidad de transmisión.  Pérdida o ralentización de la descarga de nieve.	La correa patina.	Ajuste el cable. Ajuste la correa.
	La correa está desgastada.	Revise / reemplace la correa. Ajuste la polea.
	La correa se salió de la polea.	Revise / vuelva a instalar la correa. Ajuste la polea.
	El deflector del conducto está obstruido.	Limpie el deflector del conducto.
	Objetos extraños obstruyen los barrenos.	Retire la suciedad o los objetos extraños de los barrenos.
	El pasador fusible está roto.	Reemplace el pasador fusible roto.
	Exceso de hielo y nieve acumulados entre los componentes de la banda continua.	Retire el hielo y nieve acumulados entre los componentes de la banda continua.
Las luces no están encendidas (si están equipadas)	El motor no está en marcha.	Arranque el motor.
	La conexión de los cables está suelta.	Compruebe las conexiones de los cables del motor y las luces.
	El LED está quemado.	Reemplace el módulo de luz LED. Los LED individuales no se pueden reemplazar.
	El fusible está fundido.	Reemplace el fusible. Asegúrese de que no haya un cortocircuito.
Es difícil mover el rotador del conducto	Hay suciedad en el mecanismo del rotador del conducto.	Limpie las piezas internas del mecanismo del rotador del conducto.
	Los cables están torcidos o dañados.	Asegúrese de que los cables no estén torcidos. Reemplace los cables dañados.
	El cable de liberación necesita un ajuste.	Ajuste el cable de liberación.
El producto se gira hacia un lado.	La presión de los neumáticos no es igual.	Ajuste la presión de los neumáticos y llene los neumáticos.
	El producto se mueve con una sola rueda.	Inspeccione el pasador de bloqueo de los neumáticos.
	Ajuste del trineo irregular.	Ajuste las planchas protectoras y el trineo.
	Planchas protectoras con ajuste no uniforme.	Ajuste las planchas protectoras y el trineo.
El producto se mueve cuando la palanca de velocidad de la transmisión está en la posición neutra.	La posición neutra no está ajustada correctamente.	Ajuste la posición neutra. Consulte <i>Para ajustar la posición neutra en la página 41.</i>

## Códigos de error de EFI

**Tenga en cuenta:** Hay un indicador de error en la caja del acelerador del motor para mostrar errores en las piezas sin software.

Código de error	Nombres de los errores	El indicador de error par-padea continuamente
P0261	Error de inyección.	1
P0230	Error de la bomba de combustible.	4
P0350	Error de la bobina de encendido.	8
P0650	Falla del indicador de error.	Solo es posible utilizar OBD para leer el código de error.
P0123	Cortocircuito eléctrico en el sensor de posición del acelerador.	7
P0122	Hay un cortocircuito eléctrico en la conexión a tierra del sensor de posición del acelerador.	
P0120	Error en el sensor de posición del acelerador.	
P0118	Cortocircuito eléctrico en el sensor de temperatura de la cubierta del cilindro.	5
P0117	Cortocircuito en la conexión a tierra en el sensor de temperatura del cilindro.	
P0108	Cortocircuito eléctrico en el sensor de presión de admisión.	2
P0107	Cortocircuito en la conexión a tierra del sensor de presión de admisión.	
P0106	Error en el sensor de presión de admisión.	
P0113	Cortocircuito eléctrico en el sensor de temperatura de admisión.	9
P0112	Cortocircuito en la conexión a tierra del sensor de temperatura de admisión.	
P0132	Cortocircuito eléctrico en el sensor de oxígeno.	3
P0131	Cortocircuito en la conexión a tierra en el sensor de oxígeno.	
P0130	Error en el sensor de oxígeno.	
P0562	Tensión de la batería <12V.	Siempre encendido después del encendido.
P0561	La batería carga a bajo voltaje después del arranque.	Siempre encendido después del arranque.
P0563	Tensión de la batería >16 V.	Siempre encendido después del encendido.

## Transporte, almacenamiento y eliminación de residuos

### Transporte y almacenamiento

- Para el almacenamiento y el transporte del producto y del combustible, asegúrese de que no

haya fugas o vapores. Las chispas o llamas, por ejemplo, de dispositivos eléctricos o calderas, pueden iniciar un incendio.

- Siempre use contenedores aprobados para el almacenamiento y el transporte del combustible.
- Vacíe el depósito de combustible antes de almacenar el producto durante un largo tiempo. Deseche el combustible en un sitio adecuado para tal propósito.
- Asegure bien el producto durante el transporte para evitar daños y accidentes.
- Mantenga el producto en un área cerrada para evitar que los niños u otras personas sin autorización puedan acceder a él.
- Mantenga el producto en un lugar seco y sin escarcha.
- Cargue la batería durante un almacenamiento prolongado. Examine y limpie los terminales de la batería antes de un almacenamiento prolongado.

## Eliminación

- Obedezca las regulaciones vigentes y requisitos de reciclaje locales.
- Deseche todos los productos químicos, como el combustible o el aceite del motor, en un centro de servicio o en un sitio adecuado para tal propósito.
- Cuando el producto se deja de utilizar, envíelo a un distribuidor de Husqvarna o deséchelo en un sitio de reciclaje.
- Envíe la batería a un taller de servicio o deséchela en un lugar para eliminación de baterías usadas.

## Datos técnicos

### Datos técnicos

	ST 424	ST 427	ST 430	ST 424T	ST 427T	ST 430T
<b>Dimensiones</b>						
Peso, con tanques vacíos, kg/lb	310 (140)	320 (145)	331 (150)	352 (159)	362 (164)	373 (169)
Presión de funcionamiento máxima de los neumáticos, psi	18	18	20	N/A	N/A	N/A
<b>Motor</b>						
Marca	Husqvarna	Husqvarna	Husqvarna	Husqvarna	Husqvarna	Husqvarna
Cilindrada, cc	301	389	420	301	389	420
Tipo de combustible	Sin plomo regular, clasificación de octano 86 AKI o superior (etanol al 10 % máximo)  NO utilice combustibles mezclados E85.  Estos motores no son compatibles con E20/E30/E85.					
Capacidad de combustible, gal / L	1,32 / 5,00	1,32 / 5,00	1,32 / 5,00	1,32 / 5,00	1,32 / 5,00	1,32 / 5,00
Tipo de aceite (API SJ-SN)	SAE 5W30 (inferior a 0 °C [32 °F])					
Capacidad de aceite fl. oz. / L	37,2 / 1,1	37,2 / 1,1	37,2 / 1,1	37,2 / 1,1	37,2 / 1,1	37,2 / 1,1
<b>Sistema eléctrico</b>						
Bujía	F6RTC					
Distancia entre los electrodos de la bujía (pulg. / mm)	0,027 / 0,686					

	ST 424	ST 427	ST 430	ST 424T	ST 427T	ST 430T
<b>Emisiones sonoras</b> <sup>11</sup>						
Nivel de potencia acústica, medido en dB(A)	<105					
Nivel de potencia acústica, L <sub>WA</sub> dB(A) garantizada	≤105					
<b>Niveles de vibración, a<sub>hveq</sub></b> <sup>12</sup>						
Nivel de vibración en la manija, m/s <sup>2</sup>	≤5,56	≤4,23	≤3,14	≤5,56	≤4,23	≤3,14

## Accesorios

Accesorios aprobados	Tipo	Número de artículo
Cargador de batería	Automática	585445101 <sup>13</sup>
Caja de interfaz Husqvarna	Herramienta de servicio	598072804 <sup>14</sup>
Arnés del adaptador de diagnóstico	Herramienta para la solución de problemas	599917001 <sup>15, 16</sup>

## Declaración de conformidad UE

En nombre de Husqvarna AB, SE 561 82  
Husqvarna, SUECIA, declaramos bajo nuestra única  
responsabilidad que el producto representado:

Descripción	Quitanieves
Marca	Husqvarna
Plataforma / Tipo / Modelo	ST 424, ST 427, ST 430, ST 424T, ST 427T, ST 430T
Lote	Los números de serie de 2021 y posteriores

cumplen plenamente con las siguientes directivas y  
normas de la UE:

Directiva/Norma	Descripción
2006/42/CE	"referente a la maquinaria"

<sup>11</sup> Las emisiones sonoras en el medioambiente medidas como potencia acústica (L<sub>WA</sub>) en conformidad con la directiva CE 2000/14/CE y 2005/88/CE.

<sup>12</sup> Nivel de vibración en conformidad con la norma ISO 5349-2 EN 1033.

<sup>13</sup> El cargador de baterías no se carga con el conector de la batería para este producto, pero se puede conectar directamente a la batería.

<sup>14</sup> La caja de interfaz Husqvarna solo está disponible para los distribuidores.

<sup>15</sup> Necesario para conectar el quitanieves a la herramienta de servicio Husqvarna.

<sup>16</sup> El arnés del adaptador de diagnóstico solo está disponible para los distribuidores.

Directiva/Norma	Descripción
2011/65/UE	"restricción de uso de determinadas sustancias peligrosas"
2014/30/UE	"referente a la compatibilidad electromagnética"
2000/14/EC, 2005/88/EC	"referente al ruido exterior"

Las normas o especificaciones técnicas armonizadas que se aplican son las siguientes:  
 EN ISO 12100:2010, EN ISO 14982:2009,  
 EN ISO 8437-1:2019, EN ISO 8437-2:2019,  
 EN ISO 8437-4:2019, EN ISO 3744:2010, EN  
 1032:2003+A1:2008, EN IEC 63000:2018.

De conformidad con la directiva 2000/14/CE, Anexo V, los valores de sonido declarados se indican en la sección de datos técnicos de este manual y en la declaración de conformidad de la UE firmada.

La quitanieves proporcionada se ajusta al modelo que haya sido objeto del examen.

En representación de Husqvarna AB, SE 561 82  
 Huskvarna, SUECIA, 2020-02-07



Claes Losdal

Responsable de la documentación técnica





# Table des matières

Introduction.....	57	Dépannage.....	74
Sécurité.....	58	Transport, entreposage et mise au rebut.....	77
Montage.....	62	Caractéristiques techniques.....	78
Fonctionnement.....	64	Déclaration de conformité UE.....	79
Entretien.....	67	Annexe .....	81

## Introduction

### Exigences É.-U



**AVERTISSEMENT :** Les gaz d'échappement du moteur de cet appareil, certains de ses constituants et certains composants du véhicule contiennent ou émettent des substances chimiques considérées par l'État de la Californie comme cancérogènes et capables de causer des malformations congénitales ou d'autres effets nuisibles sur les organes reproducteurs.



**AVERTISSEMENT :** Les gaz d'échappement du moteur et certains composants du véhicule contiennent ou émettent des produits chimiques considérés comme cancérogènes et pouvant causer des malformations congénitales ou d'autres dommages sur les organes reproducteurs. Les gaz d'échappement du moteur contiennent du monoxyde de carbone qui est un gaz inodore, incolore et toxique. Ne pas utiliser la machine dans un local fermé.

### Présentation de l'appareil

(Fig. 1)

1. Bouchon du réservoir de carburant
2. Bouchon de remplissage et jauge d'huile
3. Couvercle de batterie
4. Levier de la goulotte d'éjection
5. Engagement de tarière
6. Levier de vitesse de l'entraînement
7. Panneau de commande
8. Levier de commande à distance
9. Engagement de l'entraînement
10. Leviers de direction
11. Boutons de poignée
12. Silencieux

13. Roue (pour ST 424/427/430 uniquement)
14. Chenille continue (pour ST 424T/427T/430T uniquement)
15. Godet à tarière
16. Plaque de protection
17. Tarière
18. Outil de nettoyage
19. Goulotte de décharge
20. Déflecteur de la goulotte d'éjection
21. Éclairage à DEL
22. Vidange d'huile
23. Corde du lanceur
24. Passe-câbles

### Présentation de la machine

(Fig. 2)

1. Levier de réglage du godet à tarière
2. Interrupteur de marche/arrêt de poignée chauffante
3. Compteur horaire et rappel de changement d'huile
4. Accélérateur
5. Levier de la goulotte d'éjection
6. Levier de déverrouillage
7. Fente d'allumage
8. Engagement de tarière
9. Levier de vitesse de l'entraînement
10. Étiquette de symboles
11. Levier de commande à distance pour le déflecteur de la goulotte d'éjection

12. Engagement de l'entraînement

### Description de l'outil

Le produit est une fraise à neige pour déblayer la neige du sol.

### Utilisation prévue

Cet appareil peut être utilisé pour retirer la neige des champs, des routes, des allées et des trottoirs. Ne pas l'utiliser sur les pentes supérieures à 20°. Ne pas utiliser ce produit dans des zones où il y a beaucoup de débris, de saleté et de pierres qui dépassent.

## Symboles figurant sur le produit

**Remarque** : Si les autocollants sur le produit sont endommagés, communiquer avec le concessionnaire pour les remplacer.

(Fig. 3)	Avertissement.
(Fig. 4)	Lire le manuel de l'opérateur.
(Fig. 5)	Moteur en marche.
(Fig. 6)	Démarrer le moteur.
(Fig. 7)	Arrêt du moteur.
(Fig. 8)	Très rapide.
(Fig. 9)	Rapide.
(Fig. 10)	Lent.
(Fig. 11)	Rappel de changement d'huile.
(Fig. 12)	Poignées chauffantes.
(Fig. 13)	Retirer la clé avant l'entretien.
(Fig. 14)	Déconnecter le câble de la bougie avant de commencer l'entretien.
(Fig. 15)	Surface chaude.
(Fig. 16)	Risque d'incendie.
(Fig. 17)	Prendre garde aux projections d'objets.
(Fig. 18)	Gardez les personnes alentour à distance.
(Fig. 19)	Ne pas respirer les gaz d'échappement.
(Fig. 20)	Se déplacer lentement vers l'arrière.

(Fig. 21)	Risque de chute.
(Fig. 22)	Aucune opération sur des pentes supérieures à 20°.
(Fig. 23)	Ce produit est conforme aux normes CE applicables.
(Fig. 24)	Ce produit est conforme aux directives du RU en vigueur.
(Fig. 25)	Virage vers la gauche.
(Fig. 26)	Virage vers la droite.
(Fig. 27)	Souffleuse en marche.
(Fig. 28)	Entraînement de la traction en marche.
(Fig. 29)	Protecteurs d'oreilles recommandés.
(Fig. 30)	Porter des gants de protection.
(Fig. 50)	Modifier la hauteur du godet à tarière.
(Fig. 51)	Tourner à gauche/tourner à droite.
(Fig. 52)	Marche avant/marche arrière.
(Fig. 53)	Vers le haut/vers le bas.

## Produit endommagé

Nous ne sommes pas responsables des dommages causés à notre produit si :

- Le produit n'est pas réparé de façon adéquate.
- Le produit est réparé avec des pièces qui ne sont pas fournies ou homologuées par le fabricant.
- Le produit comprend un accessoire qui n'est pas fourni ou homologué par le fabricant.
- Le produit n'est pas réparé par un centre de service après-vente agréé ou par une autorité homologuée.

## Sécurité

### Définitions relatives à la sécurité

Les définitions ci-dessous indiquent le niveau de gravité pour chaque mot signal.



**AVERTISSEMENT** : Blessures aux personnes.



**MISE EN GARDE** : Dommages causés à l'outil.

**Remarque** : Cette information facilite l'utilisation de l'outil.

## Consignes générales de sécurité

- Utiliser l'outil correctement. Des blessures graves ou mortelles peuvent résulter d'une utilisation non adéquate. Utiliser l'outil seulement pour les tâches décrites dans le présent manuel. Ne pas utiliser cet outil pour d'autres tâches.
- Suivre les instructions de ce manuel. Respecter les symboles et les instructions de sécurité. Si l'opérateur ne respecte pas les instructions et les symboles, il pourrait en résulter des blessures, des dommages ou la mort.
- Ne pas jeter ce manuel. Utiliser les instructions pour assembler l'outil, le faire fonctionner et le conserver en bon état. Suivre les instructions pour l'installation correcte des équipements et accessoires. Utiliser uniquement des pièces et accessoires homologués.
- Ne pas utiliser l'outil s'il est endommagé. Respecter le calendrier d'entretien. N'effectuer que les travaux d'entretien prescrits dans ce manuel. Un centre agréé doit effectuer tous les autres travaux d'entretien.
- Ce manuel ne décrit pas toutes les situations qui peuvent se produire lorsqu'on utilise l'outil. Rester prudent et faire preuve de bon sens. Ne pas faire fonctionner l'outil ni effectuer un entretien sur l'outil si vous n'êtes pas sûr de la situation. Pour obtenir plus d'information, s'adresser à un spécialiste de l'outil, à votre revendeur, à un atelier de réparation ou à un centre de service après-vente agréé.
- Débrancher le câble d'allumage avant d'installer, de stocker ou de procéder à l'entretien de l'outil.
- Ne pas utiliser l'outil si des modifications contraires à ses caractéristiques initiales y ont été apportées. Ne pas modifier une partie de l'outil sans l'approbation du fabricant. Utiliser seulement des pièces homologuées par le fabricant. Des blessures graves ou mortelles peuvent résulter d'un entretien non adéquat.
- Ne pas respirer les vapeurs du moteur. L'inhalation à long terme des produits d'échappement du moteur représente un danger pour la santé.
- Ne pas démarrer l'outil dans un local clos ou à proximité de matériaux inflammables. Les gaz d'échappement sont très chauds et peuvent contenir des étincelles qui peuvent causer un incendie. Un débit d'air insuffisant peut entraîner des blessures ou la mort en raison d'une asphyxie ou du monoxyde de carbone.
- Lors de l'utilisation de ce produit, le moteur génère un champ électromagnétique. Le champ électromagnétique peut endommager les implants médicaux. Parler à votre médecin et au fabricant de l'implant avant d'utiliser l'outil.
- Ne pas laisser un enfant utiliser l'outil. Ne pas laisser une personne utiliser le produit sans connaître les instructions.
- S'assurer de toujours surveiller les personnes avec des capacités physiques ou mentales

réduites qui utilisent le produit. Un adulte responsable doit être présent à tout moment.

- Enfermer le produit dans un endroit verrouillé auquel les enfants et les personnes non autorisées ne peuvent pas accéder.
- Le produit peut projeter des objets et causer des blessures. Respecter les consignes de sécurité afin de réduire le risque de blessures graves ou mortelles.
- Ne pas s'éloigner de l'outil lorsque le moteur est sous tension.
- Tout accident avec cet outil engage la responsabilité de l'opérateur.
- Avant de reculer, regarder derrière et vers le bas pour vérifier la présence éventuelle de petits enfants, d'animaux ou autres risques de chute.
- Avant d'utiliser l'outil, vérifier que les pièces ne sont pas endommagées.
- S'assurer d'être à au moins 15 m (50 pi) d'autres personnes ou d'animaux avant d'utiliser le produit. S'assurer que toutes les personnes dans les environs immédiats sont informées que vous allez utiliser le produit.
- Consulter les lois nationales ou locales. Elles peuvent interdire ou limiter l'utilisation de l'outil dans certaines conditions.

## Consignes de sécurité pour l'utilisation

- Ne pas placer les mains ou les pieds près ou sous les pièces en rotation. Toujours se tenir à l'écart de l'ouverture d'éjection.
- Faire preuve d'extrême prudence à proximité des routes, des allées ou des chemins en gravier. Faire attention aux dangers non évidents et à la circulation.
- Après avoir heurté un objet étranger, arrêter le moteur, enlever le câble de la bougie d'allumage (ou débrancher le fil des appareils électriques), bien inspecter le produit pour vérifier qu'il n'y a pas de dommage et réparer la défaillance avant de redémarrer et d'utiliser le produit.
- Si le produit se met à vibrer anormalement, arrêter le moteur et en rechercher immédiatement la cause. Les vibrations indiquent généralement l'existence de problèmes.
- Arrêter le moteur à chaque fois qu'on quitte la zone de travail, avant de débloquer la tarière ou le déflecteur de goulotte, et lorsqu'on effectue un réglage, une réparation ou une inspection de la machine.
- Lorsqu'on veut nettoyer, réparer ou inspecter le produit, arrêter le moteur et vérifier que les tarières et toutes les pièces en mouvement s'arrêtent. Débrancher le fil de la bougie et tenir le fil à l'écart de la bougie pour éviter tout démarrage accidentel.
- Ne pas mettre le moteur en marche à l'intérieur, sauf lors du démarrage du moteur et le transport du produit dans ou hors de l'immeuble. Ouvrir les

portes; les gaz d'échappement du moteur sont dangereux.

- Faire preuve d'extrême prudence lorsqu'on travaille dans les pentes.
- Ne jamais faire fonctionner la machine sans ses grilles, plaques et autres dispositifs de protection en place et en bon état de fonctionnement.
- Ne jamais diriger le déflecteur de goulotte vers des personnes ou vers des endroits où les éventuelles projections pourraient causer des dégâts. Tenir les enfants et autres personnes à l'écart.
- Ne pas dépasser la capacité du produit en tentant de retirer la neige trop rapidement.
- Ne pas utiliser le produit à des vitesses trop élevées sur des surfaces glissantes. Lorsqu'on recule, regarder derrière soi et se déplacer lentement.
- Désengager l'alimentation des tarières lorsque le produit est en cours de transport quand il n'est pas en cours d'utilisation.
- Utiliser les appareils et accessoires approuvés par le fabricant du produit (tels que les poids de roue, contrepoids ou cabine).
- Ne jamais utiliser le produit sans une bonne visibilité ou lumière. Garder les pieds toujours bien d'aplomb sur le sol et tenir la poignée avec fermeté. Toujours marcher; ne jamais courir.
- Ne jamais toucher le moteur ou le silencieux quand il est chaud.

## Sécurité de l'aire de travail

- Inspecter minutieusement l'endroit où l'équipement doit être utilisé et retirer tout paillason, traîneau, planche, fil ou autre objet.
- Désengager tous les embrayages et mettre au point mort avant de démarrer le moteur.
- Ne pas faire fonctionner le produit l'hiver sans porter des vêtements adéquats. Éviter les vêtements amples pouvant se prendre dans les pièces en mouvement. Le port de chaussures adéquates améliorera la stabilité sur des surfaces glissantes.
- Manipuler l'essence avec précaution, car elle est hautement inflammable.
  - Utiliser des récipients de carburant approuvés.
  - Ne jamais faire l'appoint en essence lorsque le moteur est en marche ou chaud.
  - Remplir le réservoir de carburant à l'extérieur avec une extrême prudence. Ne jamais faire l'appoint en essence à l'intérieur
  - Ne jamais remplir des contenants de carburant à l'intérieur d'un véhicule ou sur la plateforme d'un camion ou d'une remorque avec une garniture en plastique. Toujours placer les contenants sur le sol loin d'un véhicule avant le remplissage.
  - Autant que possible, retirer tout équipement à essence du camion ou de la remorque et

faire le remplissage sur le sol. Quand cela n'est pas possible, faire le remplissage de tels équipements sur une remorque à l'aide d'un bidon portable plutôt qu'à l'aide d'un pistolet distributeur d'essence.

- Garder le pistolet distributeur en contact avec le bord du réservoir de carburant ou de l'ouverture du bidon à tout moment jusqu'à obtention du plein. Ne pas utiliser de dispositif à ouverture bloquée du pistolet distributeur.
- Remettre le bouchon de carburant solidement en place et nettoyer le carburant déversé.
- En cas de déversement de carburant sur les vêtements, changer immédiatement de vêtement.
- Utiliser rallonges et réceptacles conformes à celles spécifiées par le fabricant pour tous les appareils à moteur électrique ou à démarrage électrique.
- Régler la hauteur du carter de tarière afin d'éviter le gravier et les pierres en surface.
- Ne jamais essayer de faire des réglages pendant que le moteur est en marche (sauf là où spécifié par recommandation du fabricant).
- Toujours porter des lunettes ou un masque de protection pour les yeux pendant l'utilisation de la machine ou lorsqu'on effectue un réglage ou une réparation, de sorte à protéger les yeux en cas de projection de corps étrangers.

## Équipement de protection personnelle

Toujours s'équiper d'un équipement de protection personnelle approprié lors de l'utilisation de l'outil. Cela comprend, à tout le moins, des souliers résistants, des lunettes de sécurité et un protecteur auriculaire. Cet équipement de protection personnelle n'élimine pas les risques de blessures, mais peut réduire la gravité en cas d'accident.

- Toujours porter des lunettes de sécurité ou tout autre dispositif de protection des yeux lors de l'utilisation de l'outil ou des opérations d'entretien ou de réparations.
- Toujours porter des vêtements hiver approprié lorsqu'on fait fonctionner le produit.
- Utiliser toujours des bottes antidérapantes robustes qui offrent un bon support aux chevilles lors de l'utilisation du produit.
- Ne pas porter de vêtements amples pouvant se prendre dans les pièces en mouvement.
- Utiliser des gants de protection homologués, au besoin. Par exemple, lors de la fixation, de l'examen ou du nettoyage de la lame.
- Toujours utiliser un dispositif de protection homologué pour les oreilles lorsqu'on utilise la machine. Le fait d'entendre du bruit pendant une longue période peut engendrer une perte auditive.

## Dispositifs de sécurité sur l'outil

- Faire régulièrement l'entretien sur le produit.
  - Cette précaution augmente la durée de vie utile du produit.
  - Cette précaution réduit le risque d'accident.

Communiquer régulièrement avec un concessionnaire agréé ou à un centre de service après-vente agréé d'examiner le produit pour effectuer les réglages et les réparations.

- Ne pas utiliser un produit avec un équipement de protection endommagé. Si l'outil est endommagé, communiquer avec un centre de service après-vente agréé.

### Silencieux

Le silencieux maintient le niveau de bruit au minimum et dirige les gaz d'échappement loin de l'utilisateur.

Ne pas utiliser le produit si le silencieux est manquant ou endommagé. Un silencieux endommagé augmente le niveau sonore et le risque d'incendie.



**AVERTISSEMENT :** Le silencieux devient très chaud pendant et après utilisation et lorsque le moteur tourne au ralenti. Faire attention à proximité des matériaux inflammables ou des fumées afin d'éviter tout risque d'incendie.

### Sécurité – carburant



**AVERTISSEMENT :** Lire les messages d'avertissement qui suivent avant d'utiliser l'outil.

- Ne pas démarrer l'outil s'il y a du carburant ou de l'huile moteur sur l'outil. Nettoyer le carburant ou l'huile et laisser sécher l'outil.
- Si du carburant se déverse sur les vêtements, changer immédiatement de vêtement.
- Ne pas déverser du carburant sur le corps; cela pourrait causer des blessures. Si du carburant se déverse sur le corps, se nettoyer au savon doux et à l'eau.
- Ne pas démarrer l'outil si le moteur présente une fuite. Vérifier régulièrement le moteur à la recherche de fuites.
- Faire preuve de prudence lors de la manipulation du carburant. Celui-ci est inflammable et ses vapeurs sont explosives et peuvent causer des blessures ou la mort.
- Ne pas respirer les vapeurs de carburant, car elles peuvent causer des blessures. Vérifier que la ventilation est suffisante.
- Ne pas fumer à proximité du carburant ou du moteur.

- Ne pas placer des objets chauds à proximité du carburant ou du moteur.
- Ne pas faire le plein de carburant lorsque le moteur tourne.
- Vérifier que le moteur est froid avant de faire le plein.
- Avant de faire le plein, ouvrir lentement le couvercle du réservoir de carburant et relâcher la pression avec précaution.
- Ne pas faire le plein dans une pièce fermée. Un débit d'air insuffisant peut entraîner des blessures ou la mort en raison d'une asphyxie ou du monoxyde de carbone.
- Serrer fermement le couvercle du réservoir de carburant. Si le couvercle du réservoir de carburant n'est pas bien serré, il y a un risque d'incendie.
- Avant de démarrer l'outil, le déplacer à au moins 3 m (10 pi) de la position où le plein de carburant a été fait.
- Ne jamais remplir le réservoir de carburant complètement. La chaleur provoque une dilatation du carburant. Laisser un espace dans la partie supérieure du réservoir de carburant.

### Sécurité en matière de batteries



**AVERTISSEMENT :** Une batterie endommagée peut engendrer une explosion et des blessures. Si la batterie est détériorée ou endommagée, communiquer avec un agent d'entretien Husqvarna agréé.



**AVERTISSEMENT :** Lire les messages d'avertissement qui suivent avant d'utiliser le produit.

- Utiliser des lunettes de protection en cas de présence à proximité des batteries.
- Ne pas porter des montres, des bijoux ou d'autres objets métalliques à côté de la batterie.
- Entreposer la batterie hors de portée des enfants.
- Charger la batterie dans un endroit avec une bonne ventilation.
- Conserver les matériaux inflammables à une distance minimale d'un mètre lors du chargement de la batterie.
- Mettre au rebut les batteries remplacées. Voir *Mise au rebut à la page 78*.
- Les gaz explosifs peuvent provenir de la batterie. Ne pas fumer à proximité de la batterie. Maintenir la batterie à l'écart de flammes nues et d'étincelles.

## Proposition 65 de la Californie



### ATTENTION!

Ce produit contient ou émet un produit chimique qui, d'après l'État de Californie, peuvent causer le cancer, des malformations congénitales ou autre danger pour la reproduction.

## Proposition 65



### ATTENTION!

Les cosses et les bornes de la batterie, ainsi que les accessoires connexes, contiennent du plomb et des composés de plomb, des produits chimiques reconnus par l'État de la Californie comme pouvant causer des cancers, des malformations du fœtus ou tout autre problème lié à la reproduction. Lavez-vous les mains après la manipulation.

- Les gaz d'échappement du moteur contiennent du monoxyde de carbone, un gaz inodore, toxique et très dangereux. Ne pas démarrer le moteur à l'intérieur ou dans des espaces fermés.
- Avant d'effectuer un entretien sur le produit, arrêter le moteur et retirer le câble d'allumage de la bougie.
- Utiliser des gants de protection lors des opérations d'entretien sur le produit. Les lames sont affûtées et des coupures peuvent se produire facilement.
- Les accessoires et les modifications apportées au produit qui ne sont pas approuvés par le fabricant peuvent causer des blessures graves, voire mortelles. Ne pas modifier l'outil. Toujours utiliser des accessoires homologués par le fabricant.
- Si l'entretien n'est pas effectué correctement et régulièrement, le risque de blessures et de dommages sur l'outil augmente.
- N'effectuer que les travaux d'entretien indiqués dans ce manuel d'utilisation. Tous les autres travaux d'entretien doivent être effectués par un agent d'entretien agréé.
- Demander à un agent d'entretien agréé d'effectuer régulièrement l'entretien de l'outil.
- Remplacer les pièces endommagées, usées ou brisées.

## Consignes de sécurité pour la maintenance



**AVERTISSEMENT :** Lire les messages d'avertissement qui suivent avant d'utiliser l'outil.

## Montage

### Retrait du produit du carton

1. Retirer toutes les pièces desserrées incluses avec l'outil. Couper les quatre coins du carton et placer les panneaux d'extrémité à plat.
2. Retirer les deux vis qui fixent le carter de la tarière à la palette. Retirer les supports en acier des plaques de protection, le cas échéant.
3. Retirer tous les matériaux d'emballage.
4. Retirer le produit du carton et s'assurer qu'aucune pièce libre n'est laissée dans le carton.

(Fig. 37) Contre-écrou 3/8 (1)

(Fig. 38) Contre-écrou 3/16-16 (1)

(Fig. 39) Goupilles de tonte ¼-20 x 1,81 (6)

(Fig. 40) Contre-écrous ¼-20 (6)

(Fig. 41) Contre-écrou 5/16-18 (1)

(Fig. 42) Contre-écrou ¼-20 (1)

(Fig. 43) Rondelle en nylon(1)

(Fig. 44) Boulon de carrosserie 5/16-18 x 5/8 (1)

(Fig. 45) Goupille cylindrique (1)

(Fig. 46) Levier de déverrouillage (1)

(Fig. 47) Levier de la goulotte d'éjection

(Fig. 48) Ressort (1)

### Pièces libres

(Fig. 32) Couvercle de goulotte d'éjection (1)

(Fig. 33) Clé ON/OFF (marche/arrêt)

(Fig. 34) Boulons de carrosserie 5/16-18 x 2 ¼ po (2)

(Fig. 35) Dispositif de retenue de la goulotte

(Fig. 36) Boutons de poignée (2)

(Fig. 49) Boulon à épaulement ¼-20 (1)

## Outils nécessaires

- Clé de 3/8 po (1)
- Clé de 7/16 po (1)
- Clé de 1/2 po (1)
- Douille profonde de 9/16 po (1)

## Installation de la poignée

1. Soulever la poignée supérieure à la position d'utilisation. (Fig. 54)
2. Régler la position de la poignée à l'un des trous (C). (Fig. 55)
3. Insérer le boulon (B) à travers le trou (C).
4. Fixer le bouton (A) sur le boulon et serrer le bouton.
5. Fixer d'autres boulons de carrosserie (B) et boutons de poignée (A) pour fixer la poignée supérieure sur la poignée inférieure.

## Installation de la goulotte d'éjection

1. Placer l'ensemble du déflecteur de la goulotte d'éjection sur la partie supérieure de la goulotte d'éjection. L'ouverture d'éjection doit pointer vers l'avant de l'appareil.
2. Placer la tête du rotateur (A) sur le support de la goulotte d'éjection (B).
3. Aligner les goupilles sous la tête du rotateur avec les trous dans le support de la goulotte d'éjection.
4. Placer la tête du rotateur sur la goupille (E), et le goujon fileté (G) sur le support (F). (Fig. 56)
5. Fixer un contre-écrou (B) sur le goujon fileté et serrer.
6. Fixer la retenue carrée (I) à l'aide d'un contre-écrou (H).
7. Faire passer les câbles à travers le passe-câbles (C).

## Installation du levier de la goulotte d'éjection et du câble de déverrouillage

1. Pousser le bouton (D) vers le bas sur le levier de la goulotte d'éjection. Utiliser un maillet en caoutchouc si nécessaire.
2. Fixer le câble de déverrouillage sur le levier de la goulotte d'éjection au raccord (A). (Fig. 57)
3. S'assurer que le câble de déverrouillage est correctement fixé à la goulotte d'éjection. (Fig. 58)
4. Placer le câble de déverrouillage dans la rainure (B) sur le levier de la goulotte d'éjection.
5. Monter le raccord en seringue de câble (F) sur le levier de déverrouillage (E).

6. Installer le levier de déverrouillage (E) sur le levier de la goulotte d'éjection et le fixer avec la goupille cylindrique (C).
7. Régler le câble de déverrouillage. Voir *Réglage du câble de déverrouillage de la goulotte d'éjection à la page 73*.
8. Régler les câbles gauche et droit de la goulotte d'éjection. Voir *Réglage des câbles gauche et droit de la goulotte d'éjection à la page 73*.

## Installation de la commande à distance du déflecteur de la goulotte d'éjection

1. Fixer la console du câble (A) sur la goulotte d'éjection au moyen d'un boulon de carrosserie (B) et d'un contre-écrou 5/16-18 (D). Serrer le boulon.
2. Installer l'œillet du câble (E) sur le déflecteur de la goulotte d'éjection (F). Utiliser un boulon à épaulement (G), une rondelle en nylon (C), et serrez-les à l'aide d'un contre-écrou ¼-20 (K). L'œillet du câble ne sera pas serré sur le boulon à épaulement.
3. Fixer le ressort (L) entre l'écrou hexagonal (M) de la tête du rotateur et le trou sur le déflecteur de la goulotte d'éjection. (Fig. 59)

## Installation du câble de commande de vitesse

1. Placer le levier de vitesse d'entraînement à la position neutre.
2. Fixer le câble de commande de vitesse (B) sur le levier de vitesse d'entraînement avec une goupille de fixation.
3. Fixer le câble de commande de vitesse sur le support (C) à l'aide de clés de 2 ½ po. Veiller à ce que le levier de vitesse de l'entraînement reste dans la position neutre.
4. Retirer la vis et l'écrou à ailettes (A) sur le levier coudé pour laisser le levier coudé se déplacer. (Fig. 60)

## Pour installer le câble de masse de la batterie

1. Retirer le couvercle de batterie.
2. Retirer la vis du câble de masse de la batterie. (Fig. 61)
3. Installer le câble de masse de la batterie. (Fig. 62)
4. Fixer la vis du câble de masse de la batterie. (Fig. 63)
5. Replacer le couvercle de batterie.

## Fixation des goupilles de tonte de rechange

- Fixer les goupilles de tonte de rechange sur le couvercle de la commande à distance ou sur le boîtier de batterie. (Fig. 64)

---

## Fonctionnement

---

### Avant de démarrer le produit

- Tenir les personnes et les animaux à l'écart de la zone de travail.
- Effectuer l'entretien quotidien. Voir *Calendrier de maintenance à la page 67*.
- S'assurer que le câble d'allumage se loge correctement sur la bougie.
- Ajouter de l'huile ou de l'essence, au besoin. Voir *Faire le plein à la page 64*.

### Remplissage du moteur avec de l'huile



**MISE EN GARDE :** Ne pas tourner la jauge d'huile lorsqu'on vérifie l'huile. Ne pas remplir au-dessus du repère.

1. Retirer le bouchon d'huile et nettoyer la jauge d'huile. Voir *Présentation de l'appareil à la page 57* pour l'emplacement de la jauge.
2. Remplir d'huile jusqu'à la marque supérieure de la jauge d'huile. Utiliser la jauge pour vérifier le niveau d'huile périodiquement.
3. Remettre le bouchon du réservoir d'huile en place.

### Faire le plein

Ne pas utiliser d'essence à indice d'octane inférieur à 90 RON (86 AKI). Ces moteurs fonctionnent mieux avec de l'essence sans plomb.



#### MISE EN GARDE :

- Ne PAS utiliser d'essence périmée, contaminée ou mélangée avec de l'huile.
- Ne pas introduire de saleté ou d'eau dans le réservoir de carburant.
- N'utiliser que les bidons d'essence appropriés et les marquer pour mieux les identifier.
- Ne PAS utiliser de carburant mélangé E85. Ces moteurs ne sont pas compatibles avec les essences E20, E30 ou E85.
- Le contenu en éthanol doit être de 10 % au maximum.

1. Ouvrir le bouchon du réservoir de carburant lentement pour libérer la pression.
2. Remplir le réservoir lentement avec un bidon de carburant. En cas de déversement de carburant, le nettoyer avec un chiffon et laisser le reste du carburant sécher.
3. Nettoyer la zone autour du bouchon du réservoir de carburant.
4. Serrer fermement le couvercle du réservoir de carburant. Si le couvercle du réservoir de carburant n'est pas bien serré, il y a un risque d'incendie.
5. Avant de démarrer l'outil, le déplacer à au moins 3 m (10 pi) de la position où le plein de carburant a été fait.

### Démarrage du moteur (manuel)

1. Placer la clé ON/OFF (marche/arrêt) (A) dans la fente d'allumage (B). Ne pas tourner la clé. (Fig. 65)
2. Déplacer la commande d'accélération (A) à la position FAST (rapide).
3. Tourner la clé ON/OFF (marche/arrêt) à la position ON (marche).
4. Tirer la poignée à corde du lanceur (D).



**MISE EN GARDE :** Ne pas relâcher brusquement la poignée du lanceur. La ramener délicatement à la position de départ.

**Remarque :** Si le câble du démarreur est gelé, tirer lentement le maximum possible de corde du lanceur. Tenir la poignée de poignée de la corde du lanceur. Si le moteur ne démarre pas, répéter la procédure ou utiliser le démarreur électrique.

5. Faire tourner le moteur 2 à 3 minutes au ralenti avant de commencer à projeter la neige.
6. Si le moteur ne démarre pas correctement, le couper.

### Démarrage du moteur (électrique)

1. Placer la clé ON/OFF (marche/arrêt) (A) dans la fente d'allumage (B). Ne pas tourner la clé.
2. Déplacer la commande d'accélération (A) à la position FAST (rapide).



3. Mettre l'interrupteur de marche/arrêt à la position ON (marche). (Fig. 65)
4. Tourner la clé ON/OFF (marche/arrêt) à la position START (démarrer). Quand le moteur démarre, relâcher la clé.



**MISE EN GARDE :** Ne pas utiliser le démarreur plus de cinq (5) secondes à la fois. Attendre 5 à 10 secondes entre chaque tentative.

5. Faire tourner le moteur 2 à 3 minutes au ralenti avant de commencer à projeter la neige.

## Utilisation de la machine



**MISE EN GARDE :** Ne pas engager partiellement les leviers d'entraînement ou de la tarière pendant une durée prolongée, car cela risque d'entraîner une usure prématurée des courroies.

**Remarque :** Lorsque l'engagement de l'entraînement et l'engagement de la tarière sont actionnés, l'engagement de l'entraînement verrouille la tarière en place. Utiliser la main droite pour manœuvrer la goulotte d'éjection à neige.

1. Pour engager les lames de la tarière, pousser sur la poignée d'engagement de la tarière afin d'engager la tarière et de projeter la neige. (Fig. 66)
2. Relever le levier de commande de vitesse d'entraînement (C) de la position centrale afin que le produit puisse se déplacer vers l'avant lorsque l'engagement de l'entraînement (B) est engagé.
3. Abaisser le levier de commande de vitesse d'entraînement de la position centrale afin que le produit puisse se déplacer vers l'arrière lorsque l'engagement de l'entraînement est engagé. (Fig. 67)
4. Pour que le produit se déplace dans la direction sélectionnée, maintenir l'engagement de l'entraînement contre la poignée.
5. Si le produit est équipé d'une direction assistée, maintenir le levier de direction gauche (D) pour tourner à gauche. Maintenir le levier de direction droit pour tourner à droite. (Fig. 68)

## Commande d'accélérateur

**Remarque :** Si la neige est humide ou lourde, utiliser les modes rapide ou très rapide.

La commande d'accélérateur permet de modifier le régime du moteur. Trois modes sont possibles : très rapide, rapide et lent. (Fig. 69)

- Très rapide (A) : pour augmenter la vitesse lorsque le produit est utilisé, mais ne souffler pas de neige, ou pour augmenter la distance d'éjection de la neige.
- Rapide (B) : fonctionnement normal
- Lent (C) : pour diminuer la distance d'éjection de la neige ou pour réduire le bruit du moteur

## Utilisation de la commande d'accélérateur

- Tourner la commande d'accélérateur pour modifier le régime du moteur.

## Utilisation des poignées chauffantes

- Placer le commutateur sur I pour démarrer le chauffage des poignées.
- Placer le commutateur sur O pour arrêter le chauffage des poignées. (Fig. 70)

## Arrêt de la machine

1. Tourner la clé de contact à la position STOP (ARRÊT). (Fig. 71)
2. Retirer la clé ON/OFF (marche/arrêt).

## Pour régler la position de point mort

1. Démarrer le produit. Se reporter à *Démarrage du moteur (manuel)* à la page 64 ou *Démarrage du moteur (électrique)* à la page 64.
2. Placer le levier de vitesse d'entraînement à la position neutre.
3. Engager l'entraînement. Si le produit avance, suivre les étapes ci-dessous :
  - a) Arrêter le produit.
  - b) Desserrer l'écrou (A) à l'aide de deux clés de ½ po. (Fig. 72)
  - c) Abaisser le raccord fileté en métal.
  - d) Serrer l'écrou (B) pour verrouiller le câble dans sa nouvelle position.
  - e) Régler la position du câble de manière à ce que le produit ne se déplace pas vers l'avant lorsque l'entraînement est engagé et que le levier de vitesse d'entraînement est à la position neutre.
4. Si le produit recule lorsque l'entraînement est engagé et que le levier de vitesse d'entraînement est à la position neutre, suivez les étapes ci-dessous :
  - a) Éteindre le produit.
  - b) Desserrer l'écrou (C) à l'aide de deux clés de ½ po. (Fig. 73)
  - c) Remonter le raccord fileté en métal.
  - d) Serrer l'écrou (D) pour verrouiller le câble dans sa nouvelle position.

- e) Régler la position du câble de manière à ce que le produit ne se déplace pas vers l'arrière lorsque l'entraînement est engagé et que le levier de vitesse d'entraînement est à la position neutre.

## Réglage de la goulotte d'éjection et du déflecteur de la goulotte d'éjection

1. Pousser le levier de déverrouillage (B) sur le levier de la goulotte d'éjection (A) et régler la goulotte d'éjection vers la gauche ou vers la droite. (Fig. 74)
2. Déplacer le levier de commande à distance (C) pour régler la distance d'éjection de la neige.
  - a) Déplacer le levier de commande à distance vers le haut pour réduire la distance d'éjection de la neige.
  - b) Déplacer le levier de commande à distance vers le bas pour augmenter la distance d'éjection de la neige.

## Réglage des plaques de protection

Les plaques de protection préviennent les dommages à la partie inférieure de la souffleuse à neige. Régler les plaques de protection (A) lorsque le contre-écrou (B) est desserré, ou si la plaque de protection n'est pas à la bonne distance du sol. Aucun réglage n'est nécessaire pour l'installation normale.

1. Desserrer le contre-écrou (B) à l'aide d'une clé plate de 13 mm (1/2 po).
2. Déplacer les plaques de protection (A) vers le haut ou vers le bas.
  - a) Sur des surfaces planes, régler la distance entre la barre de racleur et le sol à 5 à 6 mm (0,2 à 0,25 po).
  - b) Sur les surfaces rugueuses, régler les plaques de protection (A) de telle manière que la barre de racleur se situe au-dessus du haut du sol.



### AVERTISSEMENT :

Veiller à ce que du gravier et des pierres n'entrent pas dans le produit. Les objets éjectés à grande vitesse peuvent causer des blessures.

3. Serrer le contre-écrou (B). (Fig. 75)

## Utilisation des coupe-bancs (selon équipement)

Utiliser les coupe-bancs pour couper plus profondément les bancs de neige, par rapport à l'avant du produit.

1. Desserrer les écrous de réglage (A) des deux côtés du produit afin que chaque barre de coupe (B) puisse être à la position la plus haute. (Fig. 76)
2. Serrer les écrous.
3. Abaisser les coupe-bancs après usage.

## Réglage de la hauteur du godet à tarière (pour ST 424T/427T/430T uniquement)

1. Pousser le levier (A) vers le bas. (Fig. 77)
2. Déplacer les poignées (B) vers le haut ou vers le bas pour régler la hauteur du godet à tarière.
3. Relâcher le levier (A) pour bloquer le godet à tarière en position.

**Remarque :** Le godet à tarière peut être réglé dans une position déverrouillée. Cela permet au godet à tarière de s'adapter au terrain. Pour placer le godet à tarière en position déverrouillée, pousser le levier (A) vers le bas et vers la droite.

## Prévention du gel après utilisation

**Remarque :** Les commandes et les pièces mobiles peuvent être bloquées par la glace. Ne pas appliquer une force excessive aux commandes. S'il n'est pas possible d'actionner une commande ou de manœuvrer une pièce, démarrer le moteur et le laisser fonctionner pendant quelques minutes.

1. Démarrer le moteur et le laisser tourner au ralenti pendant quelques minutes. Arrêter le moteur et attendre que toutes les pièces mobiles soient immobilisées.
2. Retirer la neige et les morceaux de glace du produit.
3. Retirer la neige et les morceaux de glace à la base de la goulotte d'éjection.
4. Tourner le déflecteur de la goulotte d'éjection vers la gauche et vers la droite pour enlever la glace et l'eau.
5. Mettre la clé à la position OFF (arrêt).
6. Si le produit n'est pas doté d'un démarreur électrique, tirer la poignée du lanceur à plusieurs reprises afin de retirer la glace et l'eau.

## Pour obtenir un bon résultat

- Toujours faire tourner le moteur à plein régime ou presque à plein régime.
- Toujours adapter la vitesse du produit aux circonstances relatives à la neige et adapter la vitesse au moyen du levier de commande de vitesse d'entraînement. S'assurer que le produit projette la neige de façon uniforme.
- Il est plus facile et plus efficace d'éliminer la neige immédiatement après la chute.

- Toujours projeter la neige dans la direction du vent autant que possible.
- Sur les surfaces planes, comme les routes asphaltées, relever la barre de protection de 5 à 6 mm (de 0,2 à 0,25 po) à partir du sol.
- La barre de racler est réversible. Quand elle est usée et s'approche de l'extrémité du carter, l'inverser. Remplacer la barre de racler si elle est endommagée ou si les deux côtés sont usés.
- Ne pas régler le déflecteur de goulotte s'il est encrassé.
- Si le produit ne se déplace pas vers l'avant en raison de circonstances exceptionnelles, relâcher immédiatement l'engagement de l'entraînement ou tourner la clé ON/OFF (marche/arrêt) en position OFF (arrêt).

## Entretien

### Introduction

Lorsque le produit est en utilisation, les boulons peuvent se desserrer et des composants peuvent s'user. Cela peut entraîner un dysfonctionnement,

comme un mauvais espacement, une augmentation de la consommation d'huile ou un problème d'alignement de différents éléments. Procéder à un entretien régulier du produit afin d'éviter tout dysfonctionnement.

### Calendrier de maintenance

Entretien	Tous les jours	À intervalles de 15 heures	À intervalles de 20 heures	À intervalles de 40 heures	À intervalles de 100 heures
Serrer les écrous et les vis.	X				
Vérifier le niveau d'huile moteur	X				
Vidanger l'huile moteur			X		
Vérifier et régler la tension de la chenille (pour ST 424T/427T/430T uniquement)		X			
S'assurer qu'il n'y a pas de fuites de carburant ou d'huile	X				
Retirer les obstacles dans la tarière.	X				
Lubrifier les crans d'interverrouillage <sup>17</sup>			X		
Lubrifier les attaches de câbles <sup>18</sup>			X		

<sup>17</sup> Lubrifier également au début de chaque saison.

<sup>18</sup> Lubrifier également au début de chaque saison.

Entretien	Tous les jours	À intervalles de 15 heures	À intervalles de 20 heures	À intervalles de 40 heures	À intervalles de 100 heures
Vérifier la pression des pneus (pour ST 424/427/430 uniquement)				X	
Inspecter et remplacer la bougie d'allumage avant l'usage au début de saison et à intervalles recommandés.					X

**Remarque :** La boîte de vitesse n'a pas besoin d'entretien.

## Pour effectuer une inspection générale

- S'assurer que tous les écrous et toutes les vis sur le produit sont serrés correctement.

## Rappel de changement d'huile

Le rappel de changement d'huile (A) est une fonction qui indique qu'un changement d'huile est nécessaire. Le rappel de changement d'huile allume le symbole de bidon d'huile sur l'écran après 20 heures de fonctionnement. Le symbole du bidon d'huile s'allume alors pendant 2 heures ou jusqu'à ce qu'une réinitialisation manuelle soit exécutée. (Fig. 78)

## Réinitialisation du rappel de changement d'huile

- Tourner la clé ON/OFF (marche/arrêt) à la position ON (marche) et la maintenir dans cette position pendant une seconde.
- Tourner la clé ON/OFF (marche/arrêt) à la position STOP (arrêt) et la maintenir dans cette position pendant une seconde.
- Répéter cette procédure quatre (4) fois de plus.

## Vérification du niveau d'huile



**MISE EN GARDE :** Un niveau d'huile trop faible peut causer des dommages au moteur. Vérifier le niveau d'huile avant d'utiliser le produit.

- Placer le produit sur un sol plat.
- Retirer le bouchon du réservoir d'huile avec la jauge d'huile.
- Nettoyer l'huile sur la jauge d'huile.

- Insérer entièrement la jauge dans le réservoir d'huile pour obtenir une estimation appropriée du niveau d'huile.
- Retirer la jauge d'huile.
- Examiner le niveau d'huile sur la jauge d'huile.
- Si le niveau d'huile est trop bas, remplir avec de l'huile moteur et vérifier de nouveau le niveau d'huile.

## Vidange de l'huile

- Faire tourner le moteur quelques minutes pour faire chauffer l'huile. L'huile chaude s'écoule plus facilement et emporte avec elle plus de contaminants.



**AVERTISSEMENT :** L'huile moteur est chaude. Éviter tout contact entre la peau et l'huile moteur usagée.

- Placer le produit sur un sol plat.
- Retirer la clé ON/OFF (marche/arrêt).
- Placer un récipient sous le bouchon de vidange d'huile.
- Retirer le bouchon de vidange d'huile, basculer le produit et vidanger l'huile usagée dans le conteneur.
- Replacer le produit à la position de fonctionnement.
- Installer le bouchon de vidange d'huile et le serrer à la main.
- Remplir le moteur d'huile, voir *Remplissage du moteur avec de l'huile à la page 64*.

## Lubrification de la machine

- Lubrifier les points pivots (A) avec de l'huile.
- Lubrifier le moteur (B) avec de l'huile.
- Lubrifier les crans d'interverrouillage (C) avec une petite quantité de graisse au lithium.

- Lubrifier les raccords de câbles des leviers d'entraînement et de la tarière (D) avec de l'huile. (Fig. 79)

## Batterie

### Pour commencer avec une batterie à plat

**Remarque :** L'alimentation par batterie est nécessaire pour faire fonctionner la pompe à carburant du système IEC.

Si la batterie est trop faible, effectuez l'une des étapes suivantes :

- Recharger la batterie, se reporter à *Pour charger la batterie à la page 69*.
- Connecter le produit à une source d'alimentation externe, comme la batterie d'un autre véhicule.

### Entretien de la batterie

**Remarque :** La batterie de votre produit est de type sans entretien. Ne pas ouvrir ou retirer les capuchons ou les couvercles.

### Pour charger la batterie

**Remarque :** Avant un entreposage de longue durée, charger la batterie avec un chargeur de batterie pour prolonger la durée de vie de la batterie.

1. Retirer le couvercle de batterie. Se reporter à *Remplacement de la batterie à la page 69*.
2. Nettoyer les bornes. Se reporter à *Nettoyage de la batterie et de ses bornes à la page 69*.
3. Brancher le chargeur de batterie au connecteur du chargeur de batterie (A). (Fig. 80)

**Remarque :** Pour connaître les chargeurs compatibles, se reporter à *Accessoires à la page 79*.

4. Lorsque la batterie est chargée, débranchez le chargeur de batterie.
5. Replacer le couvercle de batterie.

### Remplacement de la batterie



**AVERTISSEMENT :** Risque de décharge électrique. Ne pas laisser des objets métalliques toucher les deux bornes de la batterie. Cela peut provoquer un court-circuit de la batterie.

1. Desserrer le bouton (A), puis basculer le bas du capot en direction du moteur. Soulever le couvercle de batterie hors de ses supports (B). (Fig. 81)
2. Débrancher le câble NOIR de la batterie.



**AVERTISSEMENT :** Il faut débrancher le câble NOIR en premier.

3. Débrancher le câble ROUGE de la batterie.
4. Desserrer les écrous et retirer la barre de retenue de la batterie.
5. Retirer prudemment la batterie de la machine.
6. Installer une nouvelle batterie.
7. Brancher le câble de batterie ROUGE et serrer le boulon.



**AVERTISSEMENT :** Risque de production d'étincelles. Le câble ROUGE doit être branché en premier.

8. Brancher le câble NOIR et serrer le boulon.
9. Replacer le couvercle de batterie.

### Nettoyage de la batterie et de ses bornes

1. Retirer la batterie. Se reporter à la section *Remplacement de la batterie à la page 69*.
2. Rincer la batterie à grande eau et la laisser sécher complètement.
3. Nettoyer les bornes et les cosses des câbles de la batterie à l'aide d'une brosse métallique jusqu'à ce qu'elles brillent.
4. Graisser les bornes avec de la graisse.
5. Installer la batterie. Voir *Remplacement de la batterie à la page 69*.
6. Replacer le couvercle de batterie.

### Silencieux

Le silencieux maintient le niveau de bruit au minimum et dirige les gaz d'échappement loin de l'utilisateur.

Ne pas utiliser le produit si le silencieux est manquant ou endommagé. Un silencieux endommagé augmente le niveau sonore et le risque d'incendie.



**AVERTISSEMENT :** Le silencieux devient très chaud pendant et après utilisation et lorsque le moteur tourne au ralenti. Faire attention à proximité des matériaux inflammables ou des fumées afin d'éviter tout risque d'incendie.

### Vérification de la bougie d'allumage



**MISE EN GARDE :** Toujours utiliser une bougie d'allumage du type recommandé. Une bougie d'allumage de type inapproprié peut endommager le produit.

- Examiner la bougie d'allumage si le moteur manque de puissance, démarre difficilement ou ne fonctionne pas correctement au régime de ralenti.
- Si la bougie d'allumage est sale, la nettoyer et s'assurer que l'écartement des électrodes est correct, se reporter à la section *Caractéristiques techniques à la page 78*. (Fig. 82)
- Remplacer la bougie d'allumage au besoin.

## Inspection des tarières et de la barre de racleur

1. Avant chaque utilisation, vérifier la tarière et la barre de racleur pour détecter tout signe d'usure.
2. Si le bord de la barre de racleur est usé, inverser la barre de racleur. Si la barre de racleur est endommagée ou est usée des deux côtés, la remplacer.
3. Si les bords de la tarière sont usés, communiquer avec un centre de service agréé pour les remplacer.

## Remplacement des goupilles de tonte de la tarière

La goupille de tonte protège le produit contre les dommages. Les goupilles de tonte de la tarière peuvent se briser si un objet est inséré dans les pièces mobiles.



**MISE EN GARDE :** N'utiliser que les goupilles de tonte livrées avec le produit.

1. En cas de bris d'une goupille de tonte de la tarière, arrêter le moteur et attendre que les pièces mobiles soient immobiles.
2. Retirer la clé ON/OFF (marche/arrêt) et débrancher le câble d'allumage.
3. Aligner le trou du moyeu de la tarière (B) avec le trou dans l'arbre de la tarière (C) et installer une nouvelle goupille de tonte 1/4-20 x 2 (A).
4. Installer un contre-écrou 1/4-20 (D) sur la goupille de tonte et serrer. (Fig. 83)
5. Insérer la clé ON/OFF (marche/arrêt) dans le contact, puis brancher le câble d'allumage de la bougie.

## Remplacement des goupilles de tonte de la roue à ailette

La goupille de tonte de la roue à ailette protège le produit contre les dommages. Les goupilles de tonte de la roue à ailette peuvent se briser si un objet est inséré dans les pièces mobiles.



**MISE EN GARDE :** N'utiliser que les goupilles de tonte livrées avec le produit.

1. En cas de bris d'une goupille de tonte de la roue à ailette, arrêter le moteur et attendre que les pièces mobiles soient immobiles.
2. Retirer la clé ON/OFF (marche/arrêt) et débrancher le câble d'allumage.
3. Aligner le trou du moyeu de la roue à ailette (A) avec les trous de l'arbre de la roue à ailette (B) et installer une nouvelle goupille de tonte 1/4-20 (C).
4. Installer un contre-écrou 1/4-20 (D) sur la goupille de tonte et serrer. (Fig. 84)
5. Insérer la clé ON/OFF (marche/arrêt) dans le contact, puis brancher le câble d'allumage de la bougie.

## Remplacement du fusible principal

Les porte-fusibles sont placés derrière le couvercle de la batterie.

(Fig. 85)

- Remplacer le fusible de l'unité de commande moteur (A) à l'aide d'un fusible de 5 A.
- Remplacer le fusible du solénoïde du démarreur (B) à l'aide d'un fusible de 20 A.
- Remplacer le fusible de la DEL et de la poignée chauffante (C) par un fusible de 5 A.
- L'emplacement (D) contient un fusible de 5 A de remplacement.

## Pour examiner les pneus

- Maintenir les pneus exempts de carburant et d'huile pour éviter d'endommager le caoutchouc.
- Maintenir les pneus à l'écart de souches, de pierres, d'ornières, d'objets pointus et de tout autre objet pouvant les endommager.
- Maintenir la pression correcte des pneus, voir *Caractéristiques techniques à la page 78*.

## Dégagement d'un déflecteur de goulotte d'éjection bouché

Ne pas déboucher le déflecteur de la goulotte d'éjection avant d'avoir exécuté les opérations suivantes.

1. Relâcher simultanément l'engagement de la tarière et celui de l'entraînement.
2. Attendre 10 secondes pour s'assurer que les tarières sont arrêtées.
3. Éteindre le produit.
4. Utiliser l'outil de nettoyage (au moins 37 cm [15 po] de long, inclus avec certains modèles) pour retirer l'obstruction.



**AVERTISSEMENT :** Ne pas placer les mains dans le déflecteur de la goulotte d'éjection ou à l'intérieur du godet à tarière.

## Remplacement de la barre de racleur

1. Placer la barre de racleur (A) dans la position inversée lorsqu'elle est usée du côté du carter. (Fig. 86)
2. Remplacer la barre de racleur si elle est usée des deux côtés ou si elle est endommagée.

## Courroies d'entraînement



**AVERTISSEMENT :** Les courroies en V sont spécialement conçues pour le produit et doivent être remplacées par des pièces du fabricant d'origine disponibles auprès de votre centre de services le plus proche. L'utilisation de courroies autres que celles du fabricant d'origine peut causer des blessures personnelles ou endommager le produit.



**AVERTISSEMENT :** Le remplacement de la courroie nécessite le démontage du produit. Pour séparer le carter de la tarière du châssis, il est important qu'un assistant se tienne debout dans la position de fonctionnement et qu'il tienne les poignées du produit. Des blessures corporelles graves ou un endommagement du produit pourraient se produire si le produit est échappé pendant le remplacement de la courroie.

## Préparation du remplacement des courroies

1. Retirer le carburant du réservoir de carburant.
2. Desserrer le contre-écrou (A) qui fixe la tête du rotateur de goulotte (B) au support de montage (C) afin de retirer la goulotte d'éjection. (Fig. 87)
3. Desserrer les deux vis (A) qui maintiennent le carter de la courroie (B) sur le châssis (C) et enlever le carter de la courroie. (Fig. 88)

## Retrait de la courroie d'entraînement

1. Retirer la courroie de la tarière (A). Voir *Retrait de la courroie de la tarière (pour ST 424/427/430 uniquement) à la page 71.*
2. Déposer le boulon de poulie de 9/16 po (B) et retirer la poulie (C) du moteur. (Fig. 89)
3. Retirer la courroie d'entraînement (D) de la poulie inférieure (E).

## Installation de la courroie d'entraînement

1. Placer la courroie d'entraînement (H) sur la poulie inférieure (J).

**Remarque :** Veiller à positionner correctement la courroie dans la gorge de la poulie inférieure.

2. Placer la courroie d'entraînement dans la gorge de la poulie du moteur (C). (Fig. 89)
3. Installer le boulon de la poulie de 9/16 po (F) et fixer la poulie du moteur sur le moteur. Serrer le boulon de la poulie (41 à 47 Nm/30 à 35 pi-lb).
4. Installer la courroie de la tarière (A). Voir *Installation de la courroie de tarière à la page 72.*
5. Actionner toutes les commandes pour s'assurer que la courroie d'entraînement est correctement installée et que tous les composants se déplacent correctement.

## Installation du carter de la courroie

1. Installer le carter de la courroie (B) sur le châssis (C) et serrer les deux vis (A). (Fig. 88)
2. Installer la goulotte de décharge.

## Réglage de la tension de la courroie d'entraînement

1. Retirer le carter de la courroie. Voir *Préparation du remplacement des courroies à la page 71.*
2. Desserrer l'écrou de la poulie folle (A).
3. Déplacer la poulie folle (B) dans la direction de la courroie pour augmenter la tension de la courroie. Éloigner la poulie de la courroie pour réduire la tension de la courroie. (Fig. 90)
4. Serrer l'écrou de la poulie folle (A).
5. Appuyer, puis relâcher le levier de commande de vitesse d'entraînement. Si la courroie d'entraînement est tendue lorsque le levier de commande de vitesse d'entraînement est relâché, déplacer le galet tendeur pour l'écarter de la courroie d'entraînement pour relâcher la tension de la courroie.
6. Installer le carter de la courroie. Voir *Installation du carter de la courroie à la page 71.*

## Retrait de la courroie de la tarière (pour ST 424/427/430 uniquement)

1. Déposer l'écrou 5/16 po et le cache-câble (E) du châssis. (Fig. 91)
2. Déposer les boulons 5/16 po supérieurs et les boulons ¼ po inférieurs (D) des 2 côtés du châssis. Conserver les boulons.
3. Desserrer, sans retirer, les boulons 5/16 po inférieurs (C) des 2 côtés du châssis.
4. Déposer la courroie de tarière (B) de la poulie du moteur (A).
5. Incliner la partie arrière vers le bas. La partie avant s'incline vers l'avant par la même occasion. Le boulon inférieur est une charnière entre les sections avant et arrière.

- Placer une cale en bois sous le point de charnière afin de mettre le produit en position repliée.
- Déplacer le levier de frein de la tarière et retirer la courroie de la tarière (B) du levier de frein de la tarière.

### Retrait de la courroie de la tarière (pour ST 424T/427T/430T uniquement)

- Déposer l'écrou 5/16 po et le cache-câble (E) du châssis. (Fig. 92)
- Déposer les boulons 5/16 po supérieurs des 2 côtés du châssis. Conserver les boulons.
- Déposer les boulons 5/16 po inférieurs (C) des 2 côtés du châssis.
- Déposer la courroie de tarière (B) de la poulie du moteur (A).
- Utiliser le levier de réglage du godet à tarière pour incliner la partie arrière vers le bas. La partie avant s'incline vers l'avant par la même occasion. Le boulon inférieur est une charnière entre les sections avant et arrière.
- Placer une cale en bois sous le point de charnière afin de mettre le produit en position repliée.
- Déplacer le levier de frein de la tarière et retirer la courroie de la tarière (B) du levier de frein de la tarière.

### Installation de la courroie de tarière

- Déplacer le levier de frein de la tarière (G). Placer la courroie de la tarière autour et dans la gorge de la poulie de la tarière (E). (Fig. 93)



#### MISE EN GARDE :

S'assurer que la courroie n'est pas coincée entre le châssis et le carter de la tarière lorsque vous assemblez l'unité.

- Retirer le bloc de bois à partir de la partie inférieure du produit.
- Tourner les poignées pour incliner la partie arrière vers le haut. La partie avant s'incline vers l'arrière et pivote pour fixer la partie arrière.
- S'assurer que la courroie est correctement positionnée dans la rainure de la poulie de la tarière (E).
- Installer les boulons 5/16 po (C) et serrer (de 11 à 16 Nm).
- Pour ST 424/427/430 uniquement : Installer les boulons ¼ po (D) et serrer (de 5 à 8 Nm).
- Installer la courroie de la tarière (B) sur la poulie du moteur (A). S'assurer que la courroie est correctement placée sur la poulie folle et correctement installée dans la rainure de la poulie du moteur.

- Installer le cache-câble (F) et l'écrou 5/16 po sur le châssis.
- Actionner toutes les commandes afin de s'assurer que la courroie de la tarière est correctement installée et que tous les composants se déplacent correctement.

### Réglage de la tension de la courroie de la tarière

**Remarque :** Un assistant est nécessaire pour effectuer cette tâche.

- Retirer le carter de la courroie. Voir *Préparation du remplacement des courroies à la page 71*.
- Desserrer l'écrou de la poulie folle (A). (Fig. 94)
- Placer la poulie folle (B) dans la direction de la courroie de la tarière pour augmenter la tension de la courroie. L'éloigner de la courroie de la tarière pour réduire la tension de la courroie.
- Serrer l'écrou de la poulie folle (A).
- Demander à un assistant de se tenir à 3 m (10 pi) à l'avant du produit pour surveiller le mouvement de la tarière.
- Pousser, puis relâcher l'engagement de tarière pour démarrer et arrêter la tarière.
- Mesurer le temps nécessaire pour que la tarière cesse tout mouvement. Si la tarière cesse de tourner après plus de 5 secondes, relâcher la tension de la courroie.
- Si la tarière cesse de tourner après moins de 5 secondes, installer le couvercle de la courroie. Voir *Installation du carter de la courroie à la page 71*.

### Ajustement du câble de commande de la tarière

- Retirer le cache-câble du côté droit du châssis (D). (Fig. 95)
- Pour éliminer le mou du câble de commande de la tarière, dévisser l'écrou de blocage inférieur (B) et serrer l'écrou de blocage supérieur (B) jusqu'à ce que la tension de la courroie de la tarière soit adéquate.
- Redémarrer la tarière. Répéter le réglage, au besoin, jusqu'à ce qu'il ne reste seulement qu'un peu de mou dans le câble lorsque le levier est désengagé.
- Serrer l'écrou de blocage inférieur afin de le verrouiller en tension.

**Remarque :** Il est également possible de tendre la courroie de la tarière en ajustant la poulie folle comme une option secondaire. Si le réglage du câble ne règle pas le problème, remplacer la courroie de la tarière. Voir *Installation de la courroie de tarière à la page 72*.



## Réglage du câble de déverrouillage de la goulotte d'éjection

1. Pour régler le câble de déverrouillage, tourner le réglage de câble jusqu'à ce que le levier de déverrouillage de la goulotte d'éjection ne puisse plus bouger librement. (Fig. 96)

## Réglage des câbles gauche et droit de la goulotte d'éjection

1. Placer le levier de la goulotte d'éjection en position centrale.
2. Tourner les régleurs de câble jusqu'à ce que la goulotte d'éjection pointe tout droit vers l'avant, et que les câbles soient bien serrés. (Fig. 97)
3. Desserrer les régleurs de câble d'un quart de tour pour libérer légèrement la tension des câbles.

## Dépose des roues

1. Déposer l'axe de la roue (A) et l'axe de retenue (B).
2. Enlever la roue de l'arbre (C). (Fig. 98)

## Réglage de la tension des chenilles continues (pour ST 424T/427T/430T uniquement)

---

**Remarque :** Les outils nécessaires pour cette tâche : une douille profonde de 9/16 po, une clé de 9/16 po et un poids de 5 kg (10 lb).

---

1. Desserrer les vis de blocage (A) sur 1 tour.
2. Déposer le contre-écrou arrière (B) afin de permettre l'accès à l'écrou de réglage. (Fig. 99)
3. Placer un poids de 5 kg (10 lb) (C) sur le dessus de la chenille continue au centre entre les 2 roues.
4. Tourner l'écrou de réglage (B) jusqu'à ce que l'écart (D) entre la chenille continue et la plaque d'acier soit compris entre 3,175 et 6,350 mm (0,125 et 0,250 po). (Fig. 100)
5. Fixer la vis de verrouillage (A), puis serrer le contre-écrou arrière (B).

## Pour nettoyer l'outil

- Nettoyer les pièces en plastique à l'aide d'un chiffon propre et sec.
- Ne pas utiliser de nettoyeur à haute pression pour nettoyer la tondeuse.
- Ne pas verser de l'eau directement sur le moteur.
- Utiliser une brosse pour enlever les feuilles, l'herbe et la saleté.

## Dépannage

Problème	Cause possible	Solution
L'outil ne démarre pas	La clé de démarrage de sécurité n'est pas insérée.	Insérer la clé de démarrage de sécurité.
	Le produit est en panne de carburant.	Remplir le réservoir de carburant avec de l'essence fraîche et propre.
	La clé ON/OFF (marche/arrêt) est à la position OFF (arrêt).	Placer la clé ON/OFF (marche/arrêt) à la position ON (marche).
	Le moteur est noyé.	Attendre quelques minutes avant de redémarrer, NE PAS purger.  Redémarrer le moteur à plein régime avec le volet de départ à la position OFF (arrêt, fermé).
	Le fil de la bougie d'allumage n'est pas connecté.	Connecter le fil à la bougie d'allumage.
	La bougie d'allumage est défectueuse.	Remplacer la bougie d'allumage.
	Il y a de l'eau dans le carburant ou le carburant est trop vieux.	Vider le réservoir de carburant et le carburateur. Remplir le réservoir de carburant avec de l'essence fraîche et propre.
	Il y a de la vapeur dans la conduite de carburant.	S'assurer que toute la conduite d'alimentation en carburant est en dessous de la sortie du réservoir de carburant. La conduite d'alimentation en carburant doit fonctionner en permanence entre le réservoir de carburant et le carburateur.
	Autres causes.	Lire attentivement les méthodes de démarrage de ce manuel.
	La batterie de démarrage n'est pas chargée.	Charger la batterie de démarrage.
	La batterie de démarrage doit être remplacée.	Remplacer la batterie de démarrage.
	Le module de commande du moteur n'est pas alimenté en tension.	Inspecter le fusible du module de commande du moteur et le câblage.
	Le solénoïde du démarreur ne s'engage pas.	Inspecter le fusible du démarreur et le câblage.
L'injecteur de carburant ne s'enclenche pas.	Communiquer avec un centre de réparation agréé.	
La pompe à carburant n'est pas alimentée en tension.	Communiquer avec un centre de réparation agréé.	

<b>Problème</b>	<b>Cause possible</b>	<b>Solution</b>
Puissance réduite	Le fil de la bougie d'allumage n'est pas connecté.	Connecter le fil à la bougie d'allumage.
	Le produit rejette trop de neige.	Réduire la vitesse et la largeur de l'andain.
	Le couvercle du réservoir de carburant est recouvert de glace ou de neige.	Retirer la glace et la neige sur et autour du couvercle du réservoir de carburant.
	Le silencieux est sale ou bouché.	Nettoyer ou remplacer le silencieux.
	Mauvaise longueur de câble.	Régler le câble.
	Le silencieux est obstrué.	Vérifier que le moteur est froid. Retirer l'obstruction.
	La prise d'air d'admission du carburateur est obstruée.	Vérifier que le moteur est froid. Retirer l'obstruction.
	L'injecteur de carburant ne s'enclenche pas.	Communiquer avec un centre de réparation agréé.
Le moteur tourne au ralenti ou ronfle	La conduite de carburant est obstruée.	Nettoyer la conduite de carburant.
	Il y a de l'eau dans le carburant ou le carburant est trop vieux.	Vider le réservoir de carburant et le carburateur. Remplir le réservoir de carburant avec de l'essence fraîche et propre.
	L'injecteur de carburant ne s'enclenche pas.	Communiquer avec un centre de réparation agréé.
Vibrations/Mouvements excessifs de la poignée	Certaines pièces sont desserrées. Les tarières sont endommagées.	Serrer tout le matériel de fixation. Remplacer les pièces endommagées. Si la vibration persiste, communiquer avec un centre de service agréé.
	Les poignées ne sont pas correctement positionnées.	Assurez-vous que les poignées sont verrouillées en position.
	Les écrous du levier de réglage sont desserrés.	Serrer les écrous jusqu'à ce que la poignée soit sécuritaire.
La poignée du lanceur est difficile à tirer	La poignée du lanceur est gelée.	Tirer autant que possible sur corde du lanceur, puis relâcher la poignée. Si le moteur ne démarre pas, répéter la procédure ou utiliser le démarreur électrique.
	La corde interfère avec les composants.	La corde du lanceur ne doit toucher aucun câble ni tuyau.

Problème	Cause possible	Solution
Perte de traction/ralentissement de la vitesse d'entraînement  Perte de décharge ou ralentissement de la décharge de neige	La courroie glisse.	Régler le câble. Régler la courroie.
	La courroie est usée.	Vérifier/remplacer la courroie. Régler la poulie.
	La courroie est sortie de la poulie.	Vérifier/réinstaller la courroie. Régler la poulie.
	Le déflecteur de goulotte est obstrué.	Nettoyer le déflecteur de goulotte.
	Des corps étrangers obstruent les tarières.	Retirer les débris ou le corps étranger des tarières.
	La goupille de tonte est brisée.	Remplacer la goupille de tonte brisée.
	Accumulation excessive de neige et de glace entre les composants de la chenille continue.	Retirer la neige et la glace entre les composants de la chenille continue.
L'éclairage n'est pas aligné (selon l'équipement)	Le moteur ne tourne pas.	Démarrer le moteur.
	Le branchement du câble est desserré.	Vérifier les branchements électriques au niveau du moteur et des feux.
	La DEL est brûlée.	Remplacer le module d'éclairage à DEL. Il n'est pas possible de remplacer des DEL distinctes.
	Le fusible est grillé.	Remplacer le fusible. S'assurer qu'il n'y a pas de court-circuit.
Le rotateur de goulotte est difficile à déplacer	Il y a des débris dans le mécanisme du rotateur de goulotte.	Nettoyer la partie interne du mécanisme du rotateur de réception.
	Câbles déformés ou endommagés.	S'assurer que les câbles ne sont pas endommagés. Remplacer les câbles endommagés.
	Le câble de déverrouillage doit être réglé.	Régler le câble de déverrouillage.
Le produit tourne d'un seul côté	La pression des pneus n'est pas égale.	Régler la pression des pneus et gonfler le pneu.
	Le produit est entraîné par une seule roue.	Inspecter la goupille de blocage des pneus.
	Réglage irrégulier du traîneau.	Régler les plaques de protection et le traîneau.
	Réglage irrégulier des plaques de protection.	Régler les plaques de protection et le traîneau.
Le produit se déplace lorsque le levier de vitesse d'entraînement est à la position neutre.	La position neutre n'est pas réglée correctement.	Régler la position neutre. Se reporter à <i>Pour régler la position de point mort à la page 65.</i>

## Codes d'erreur de l'IEC

**Remarque :** Il y a un indicateur d'erreur sur l'accélérateur pour indiquer des erreurs liées aux pièces sans l'aide d'un logiciel.

Code d'erreur	Noms des erreurs	Nombre de clignote- ments continus de l'indi- cateur d'erreur
P0261	Erreur d'injection.	1
P0230	Erreur de pompe à carburant.	4
P0350	Erreur de bobine d'allumage.	8
P0650	Défaillance de l'indicateur d'erreur.	Seul le système OBD peut être utilisé pour lire le code d'erreur.
P0123	Court-circuit électrique dans le capteur de position de l'accélérateur.	7
P0122	Court-circuit électrique à la masse dans le capteur de position de l'accélérateur.	
P0120	Erreur du capteur de position de l'accélérateur.	
P0118	Court-circuit électrique dans le capteur de température du couvercle du cylindre.	5
P0117	Court-circuit à la masse dans le capteur de température du cylindre.	
P0108	Court-circuit électrique dans le capteur de pression d'entrée.	2
P0107	Court-circuit à la masse dans le capteur de pression d'entrée.	
P0106	Erreur du capteur de pression d'entrée.	
P0113	Court-circuit électrique dans le capteur de température d'admission.	9
P0112	Court-circuit à la masse dans le capteur de température d'admission.	
P0132	Court-circuit électrique dans le capteur d'oxygène.	3
P0131	Court-circuit à la masse dans le capteur d'oxygène.	
P0130	Erreur du capteur d'oxygène.	
P0562	Tension de la batterie inférieure à 12 V.	Toujours allumé après la mise sous tension.
P0561	La batterie se recharge à basse tension après le démarrage.	Toujours allumé après le démarrage.
P0563	Tension de la batterie supérieure à 16 V.	Toujours allumé après la mise sous tension.

---

## Transport, entreposage et mise au rebut

---

### Transport et entreposage

- Pour le stockage et le transport du produit et du carburant, s'assurer qu'il n'y a pas de fuite ou de

vapeur. Les étincelles ou les flammes nues, par exemple avec des appareils électriques ou des chaudières, peuvent démarrer un incendie.

- Utiliser toujours des contenants agréés pour entreposer ou transporter le carburant.
- Vider le réservoir de carburant avant de ranger le produit pour une période prolongée. Mettre au rebut le carburant à un emplacement de mise au rebut adéquat
- Immobiliser le produit en sécurité pendant le transport pour éviter tout dommage ou accident.
- Garder le produit dans un endroit verrouillé hors de portée des enfants et des personnes non autorisées.
- Conserver le produit dans un endroit sec à l'abri du gel.
- Charger la batterie durant l'entreposage à long terme. Examiner et nettoyer les cosses de batterie avant l'entreposage à long terme.

## Mise au rebut

- Respecter les exigences locales en matière de recyclage et la réglementation en vigueur.
- Mettre au rebut tous les produits chimiques, tels que l'huile moteur ou l'antigel, dans un centre de service ou dans un emplacement de mise au rebut adéquat.
- Lorsqu'on n'utilise plus le produit, l'envoyer à un détaillant Husqvarna ou le mettre au rebut à un emplacement de recyclage.
- Éliminer la batterie dans un centre d'entretien ou la mettre au rebut dans un emplacement de mise au rebut des batteries usagées.

## Caractéristiques techniques

### Caractéristiques techniques

	ST 424	ST 427	ST 430	ST 424T	ST 427T	ST 430T
<b>Dimensions</b>						
Poids, avec réservoirs vides, lb (kg)	310 (140)	320 (145)	331 (150)	352 (159)	362 (164)	373 (169)
Pression maximale de fonctionnement des pneus, en PSI	18	18	20	S.O.	S.O.	S.O.
<b>Moteur</b>						
Marque	Husqvarna	Husqvarna	Husqvarna	Husqvarna	Husqvarna	Husqvarna
Cylindrée, cm <sup>3</sup>	301	389	420	301	389	420
Type de carburant	Ordinaire sans plomb, indice d'octane de 86 AKI ou plus élevé (niveau d'éthanol maximal de 10 %)  NE PAS utiliser de mélange de carburant E85.  Ces moteurs ne sont pas compatibles avec les essences E20, E30 ou E85.					
Contenance de carburant, gal/l	1,32/5,00	1,32/5,00	1,32/5,00	1,32/5,00	1,32/5,00	1,32/5,00
Type d'huile (API SJ-SN)	SAE 5W-30 (en dessous de 0 °C / 32 °F)					
Capacité du réservoir d'huile, oz liq/l	37,2/1,1	37,2/1,1	37,2/1,1	37,2/1,1	37,2/1,1	37,2/1,1
<b>Système électrique</b>						
Bougie d'allumage	F6RTC					
Écartement des électrodes des bougies (po/mm)	0,027 / 0,686					
<b>Émissions sonores</b> <sup>19</sup>						

<sup>19</sup> Émission du bruit dans l'environnement mesurée en tant que puissance acoustique (L<sub>WA</sub>) conforme aux directives européennes 2000/14/EC et 2005/88/EC.

	ST 424	ST 427	ST 430	ST 424T	ST 427T	ST 430T
Niveau de puissance acoustique, mesuré en dB(A)	<105					
Niveau de puissance acoustique garanti L <sub>WA</sub> dB(A)	≤105					
<b>Niveaux de vibration, a<sub>hveq</sub></b> <sup>20</sup>						
Niveau de vibrations au niveau de la poignée, m/s <sup>2</sup>	≤5,56	≤4,23	≤3,14	≤5,56	≤4,23	≤3,14

## Accessoires

Accessoires homologués	Type	Numéro d'article
Chargeur de batterie	Automatique	585445101 <sup>21</sup>
Boîtier d'interface Husqvarna	Outil d'entretien	598072804 <sup>22</sup>
Faisceau d'adaptateur de diagnostic	Outil de dépannage	599917001 <sup>23, 24</sup>

## Déclaration de conformité UE

Nous, Husqvarna AB, SE-561 82 Huskvarna, SUÈDE, déclarons sous notre entière responsabilité que le produit représenté :

Description de la pièce	Souffleuse à neige
Marque	Husqvarna
Plateforme / type / modèle	ST 424, ST 427, ST 430, ST 424T, ST 427T, ST 430T
Lot	Numéros de série de l'année 2021 et ultérieurs.

entièrement conformes aux directives et aux règlements de l'UE suivants :

Directive/règlement	Description de la pièce
2006/42/EC	« relatif aux machines »

<sup>20</sup> Niveau de vibration selon la directive ISO 5349-2 EN 1033.

<sup>21</sup> Le chargeur de batterie ne se charge pas avec le connecteur de batterie pour ce produit, mais il peut être branché directement sur la batterie.

<sup>22</sup> Le boîtier d'interface Husqvarna est offert uniquement aux concessionnaires.

<sup>23</sup> Nécessaire pour raccorder la souffleuse à neige à l'outil d'entretien Husqvarna.

<sup>24</sup> Le faisceau d'adaptateur de diagnostic est offert uniquement aux concessionnaires.

Directive/règlement	Description de la pièce
2011/65/EU	« relatif à la limitation de l'utilisation de certaines substances dangereuses »
2014/30/EU	« relatif à la compatibilité électromagnétique »
2000/14/EC; 2005/88/EC	« relatif au bruit extérieur »

Les normes harmonisées ou les caractéristiques techniques appliquées sont les suivantes :  
 EN ISO 12100:2010, EN ISO 14982:2009,  
 EN ISO 8437-1:2019, EN ISO 8437-2:2019,  
 EN ISO 8437-4:2019, EN ISO 3744:2010, EN  
 1032:2003+A1:2008, EN IEC 63000:2018.

Conformément à la directive 2000/14/CE, Annexe V, les valeurs sonores déclarées sont indiquées dans la section sur les données techniques du présent manuel et dans la déclaration de conformité CE signée.

La souffleuse à neige fournie est conforme à l'exemple qui a fait l'objet de l'examen.

Pour le compte de Husqvarna AB, SE 561 82  
 Huskvarna, SUÈDE, 2020-02-07



Claes Losdal

Responsable de la documentation technique



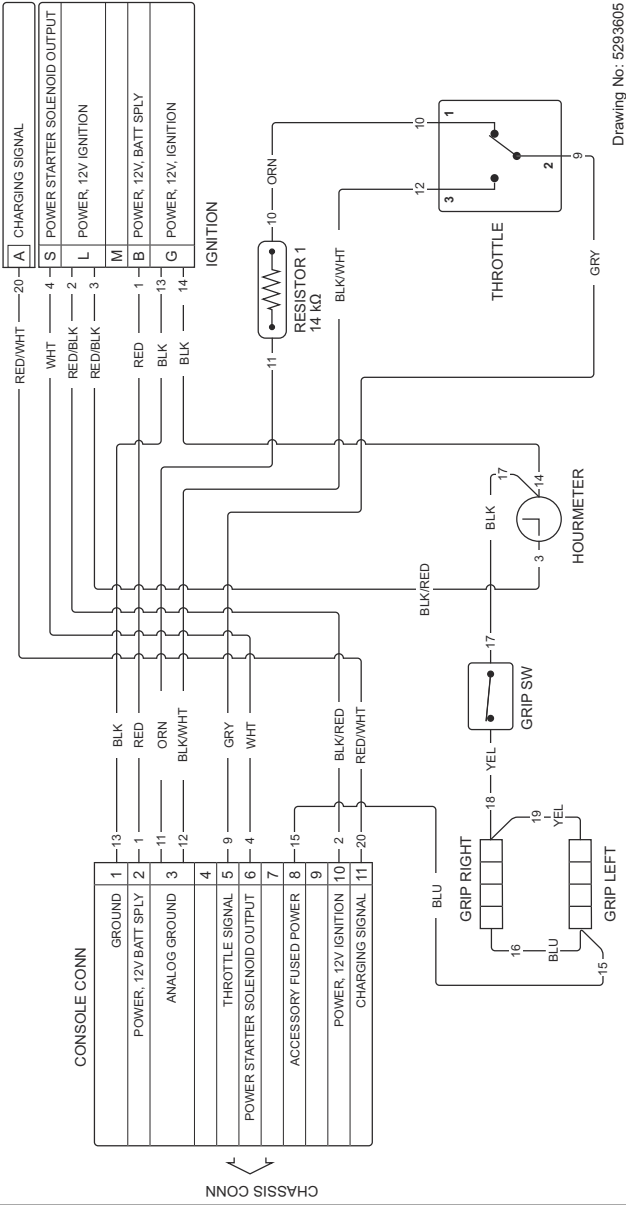
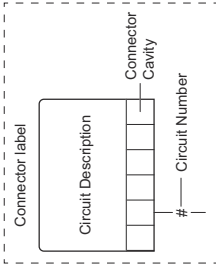


# UPPER - CONTROL HARNESS

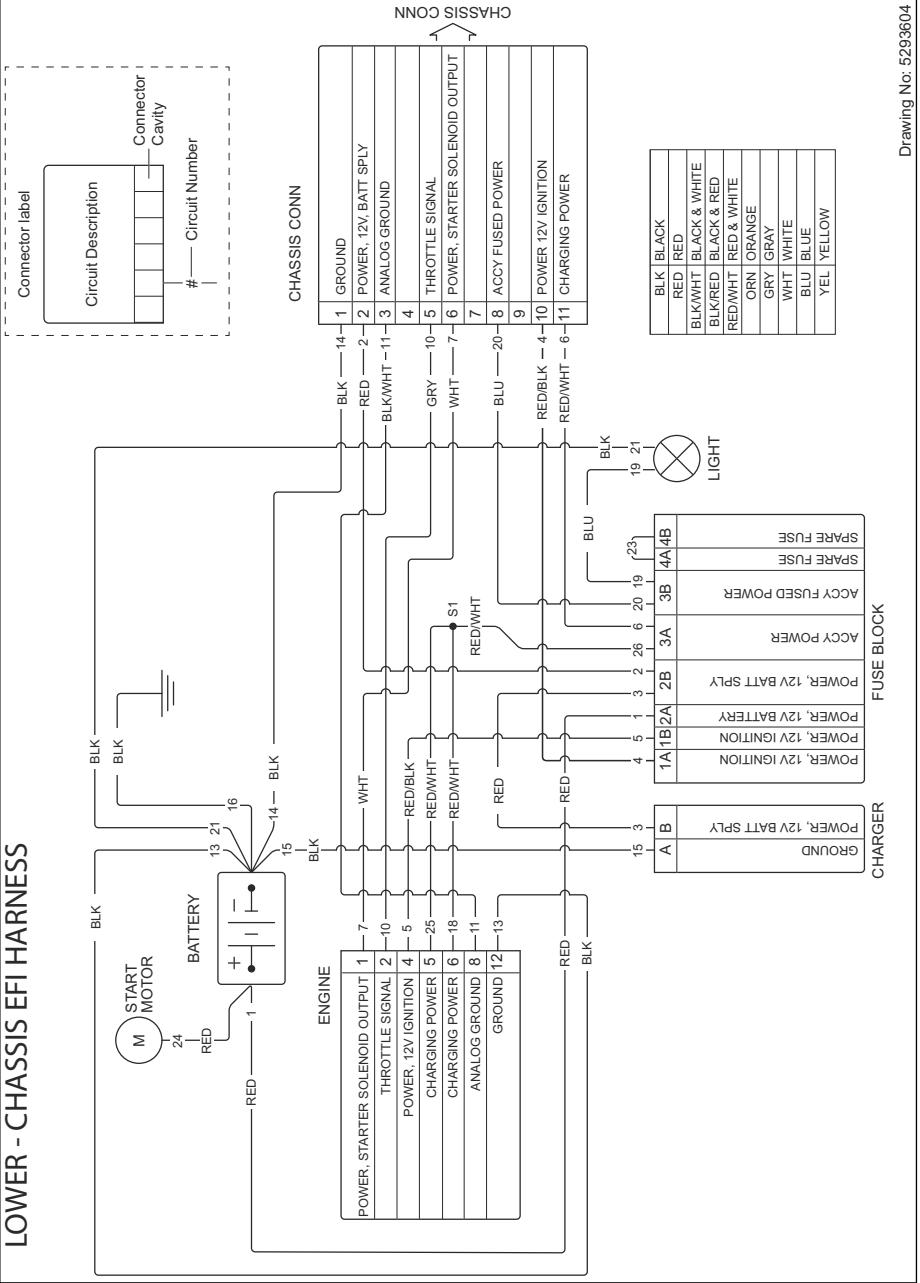
BLK	BLACK
RED	RED
BLK/WHT	BLACK & WHITE
BLK/RED	BLACK & RED
RED/WHT	RED & WHITE
ORN	ORANGE
GRY	GRAY
WHT	WHITE
BLU	BLUE
YEL	YELLOW

## IGNITION

POSITION	ROTATION	FUNCTION	CONTACT
1	0°	OFF	G + M
2	45°	RUN	L + B + A
3	85°	START	L + B + S

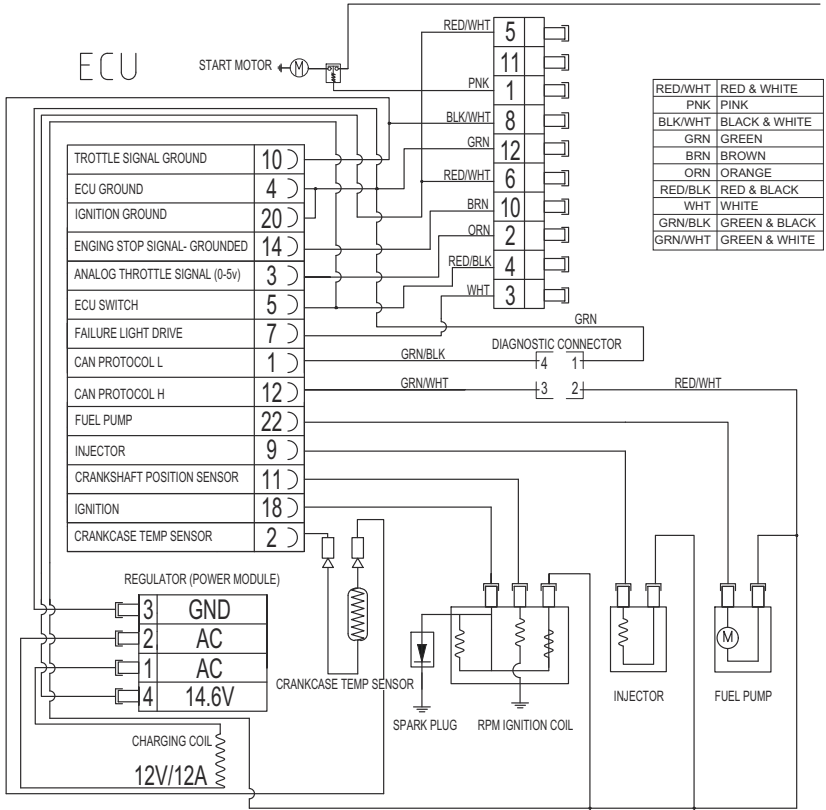


# LOWER - CHASSIS EFI HARNESS

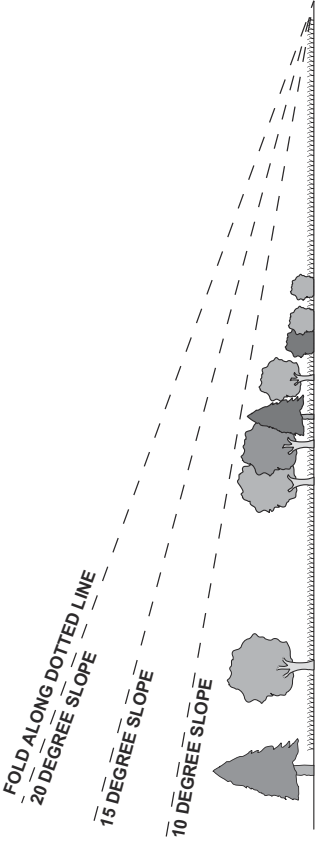


Drawing No: 5293604

# ENGINE HARNESS



# SUGGESTED GUIDE FOR SIGHTING SLOPES FOR SAFE OPERATION



1. Fold this page along dotted line indicated above.
2. Hold page before you so that its left edge is vertically parallel to a tree trunk or other upright structure.
3. Sight across the fold in the direction of hill slope you want to measure.
4. Compare the angle of the fold with the slope of the hill



**WARNING:** To avoid serious injury, operate your unit with extreme caution, especially on slopes. Do not exceed the slope greater than what is listed in your operator's manual. Make turns gradually to prevent tipping or loss of control. Exercise extreme caution when changing direction on slopes. Do not operate near drop-offs, ditches, or embankments. Keep at least the width of the machine away from these hazards. Failure to follow these warnings could lead to death or serious injury.









# Husqvarna<sup>®</sup>

[www.husqvarna.com](http://www.husqvarna.com)

Original instructions  
Instrucciones originales  
Instructions d'origine

1143033-49 Rev. 3



2024-04-09