



OPERATIONS & PARTS MANUAL

FOR MODELS:

- BE-TMS1400
- BE-TMS1550
- BE-TMS1850
- BE-TMS2050
- BE-TMS2300
- BE-TMS2600

PURCHASE DATE	MODEL NO.	SERIAL NUMBER
DEALER		

TABLE OF CONTENTS

3	INTRODUCTION
5	TECHNICAL DATA
7	SAFETY
13	INSTALLATION
18	USAGE INSTRUCTIONS
22	MAINTENANCE
27	TROUBLESHOOTING
28	EXPLODED VIEW & PARTS LIST

INTRODUCTION

Mulcher description

With reference to Fig. 1, the Mulcher is a machine designed and built exclusively for mulching directly on site (Orchards, vineyards and kiwi plantations) by crushing vegetation; it mulches prunings, grass, straw, tobacco, artichokes, beets, cotton and pruning residues. It must not be used for other uses or with other materials.

The Mulcher consists of the following parts:

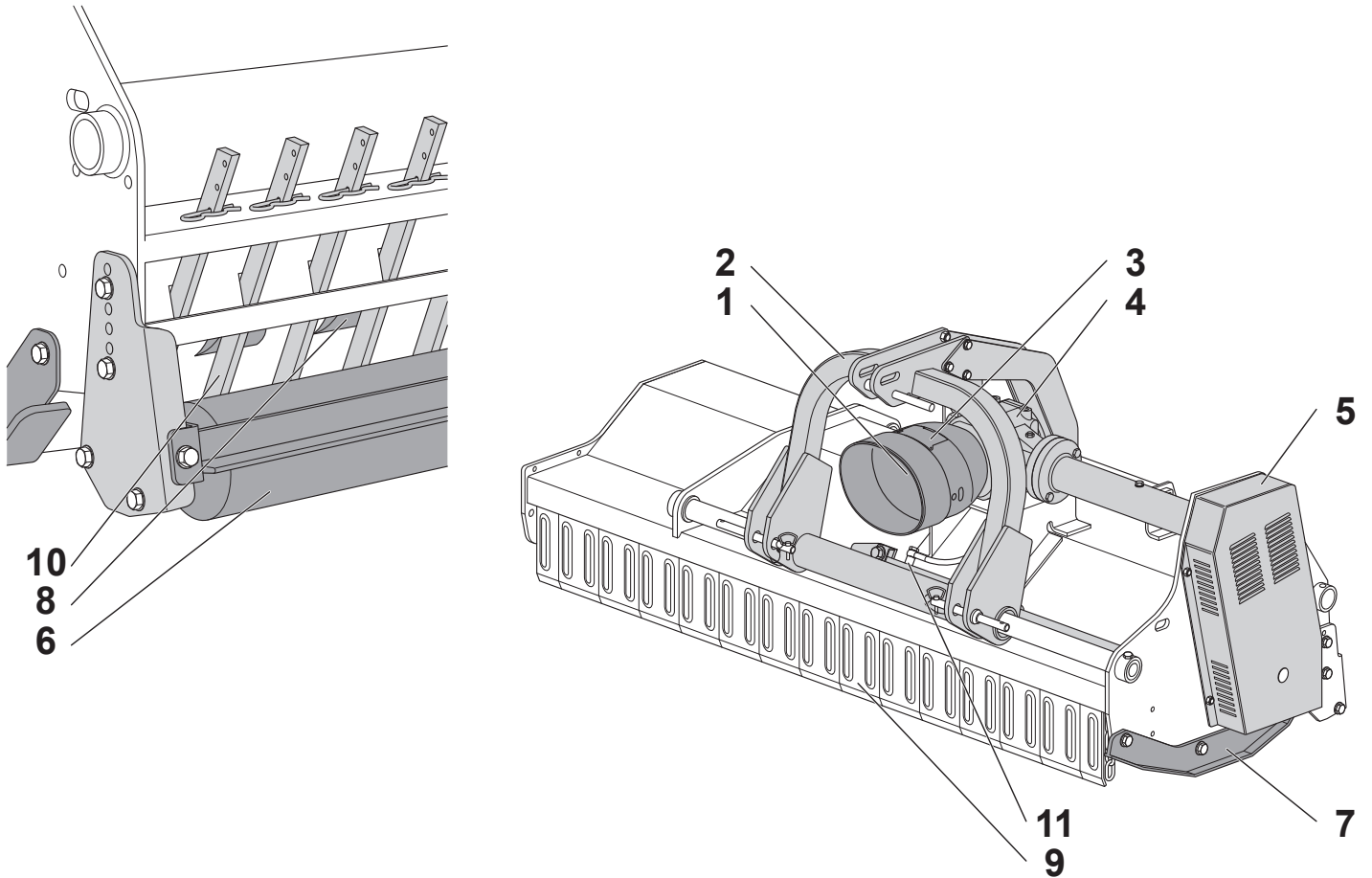


Fig. 1

1. Power take-off hitch
2. Three point coupling
3. Cardan protective casing
4. Gear box with free wheel
5. Lateral transmission by belt
6. Leveler roller
7. Sliders
8. Hammers
9. Safety protection
10. Pruning collection rods (upon request)
11. Lateral displacement

INTENDED USE

Allowed uses

The Mulcher has been designed and built to mulch prunings, grass, straw, tobacco, artichokes, beets, cotton and pruning residues of orchards, vineyards and kiwi plantations. When the Mulcher works it guarantees the required level of safety even in the presence of an insignificant malfunction of its components or hazardous operating conditions, however, always within the permitted uses.

With reference to the above, the following are considered allowed uses:

- Using the Mulcher to mow crop residue.

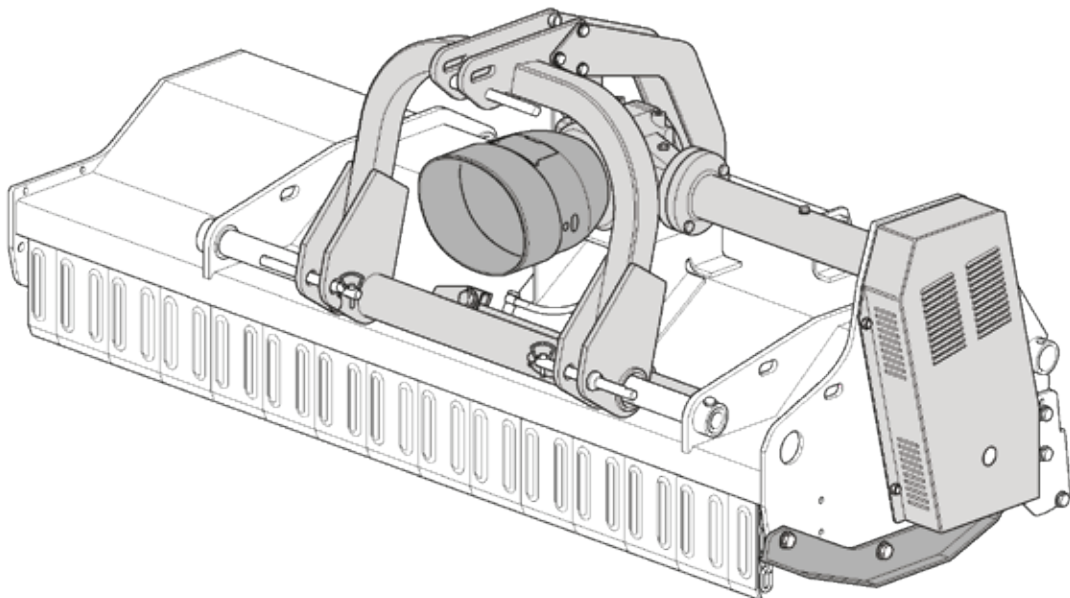
The Mulcher must not be used for purposes other than those described in this manual.

Improper uses

The Mulcher, due to its typical construction, may also be suitable for uses other than from those foreseen by the manufacturer. For this reason, Braber has selected, as non-exhaustive examples, a series of improper uses that can be reasonably foreseen, which are:

- Using the Mulcher to mow or cut tree branches;
- Using the Mulcher to mulch or cut hedges;
- Using the Mulcher for shredding purposes near frequented areas.

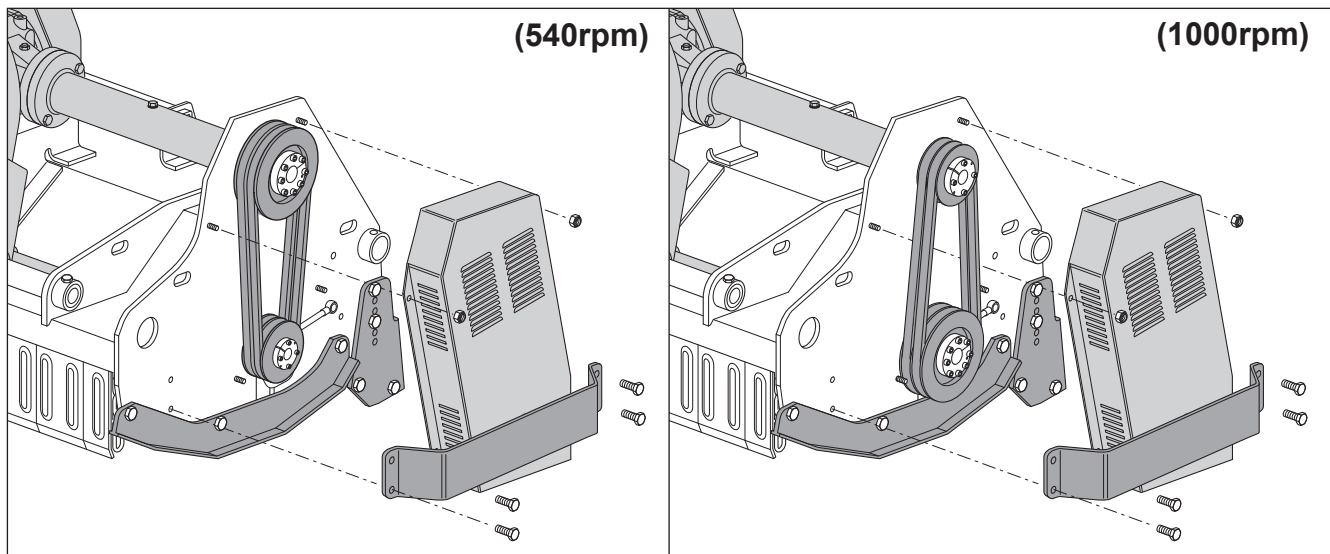
The uses listed above and those not specifically indicated in this manual, including reasonably foreseeable improper uses, are peremptorily prohibited.



TECHNICAL DATA

MODEL	WORK (CM)	POWER REQUESTED (HP)	N. HAMMERS	MASS (KG)	DIMENSIONS (WXLXH CM)
TMS 1400	140	60 - 70	10	700	165x120x115
TMS 1550	155	60 - 80	12	740	180x120x115
TMS 1850	185	60 - 80	14	790	205x120x115
TMS 2050	205	70 - 110	16	870	225x120x115
TMS 2300	230	90 - 110	18	930	250x120x115

- Hitch to the tractor: 3-point universal
- No. enter revolutions: 540 rpm (1000 rpm on request)
- Primary transmission: Cardan Shaft
- Secondary transmission: Belts
- Cut height adjustment: Mechanical
- Lateral movement adjustment: Mechanical, hydraulic on request



Sound level

The air noise level created by the Mulcher under operating conditions was detected using a sound level meter with integrator. The measurements were carried out in accordance with ISO 1680-2 at the operator station with the Mulcher activated empty. Tests performed under the conditions indicated by the standard produced the following results:

- Tractor with open cab:
Equivalent weighted sound pressure average level: $L_{pAm} = 100,1 \text{ dB(A)}$.
- Tractor with closed cab:
Equivalent weighted sound pressure average level: $L_{pAm} = 97,7 \text{ dB(A)}$.
Sound power level: $L_{WA} = 114,6 \text{ dB(A)}$.

The level of airborne noise emitted by the Mulcher is indicated with reference to the provisions set out in Directive 2006/42/EC and does not consider the provisions of Directive 2000/14/EC concerning the environmental noise emission by machinery and equipment intended for outdoor use because the machine is not included in Annex I - Part A of Legislative Decree no. 262 of 4 September 2002, legislative implementation of the above-mentioned Directive.

EC marking of the Mulcher

Directive 2006/42/EC specifies the minimum conditions with which a machine can be placed on the EU market. All machines can only be marketed and put into service if the health and safety of persons, domestic animals or property are not affected. The Mulcher is not an actual machine because it does not have its own drive system, however, for legal purposes, it is considered interchangeable equipment because once it is coupled to the agricultural tractor it provides a new function to the assembly and in all respects, it is equivalent to a machine and must therefore meet the essential health and safety requirements of the Machinery Directive.

The Mulcher does not fall under one of the machine categories indicated in the list set out in Annex IV of the Directive (particularly dangerous machinery). In order to certify the conformity of the machine with the provisions of Directive 2006/42/EC, before placing the product on the market, Braber applied the procedure described in Art. 5. In this sense, the manufacturer has provided for: compliance with the relevant safety requirements; availability of the technical file as stipulated in Annex VI; implementation of all the tests and inspections required by the reference standards and compliance with the essential health and safety requirements indicated in Annex I of the Directive itself. The construction technical file, which contains the basic project information and all the characteristics related to machine safety, was drafted in accordance with the provisions of Annex VI-Part A, and can be made available by the individual indicated in the CE Declaration of Conformity for any verification carried out by the supervisory authorities, following a justified request, as provided for by the relevant laws in force. Once Braber has verified that the machine has been designed and built-in accordance with the provisions of Directive 2006/42/EC and that it can be used safely in the service conditions specified in this manual, it places the Mulcher on the market and accompanies the machine with:

- Usage instructions booklet (User manual)
- EC Declaration of conformity
- EC Marking

In designing and manufacturing the Mulcher, Braber has complied with obligations resulting from applying related European legislative provisions and precisely the following European provisions:

- Directive 2006/42/CE (Machinery safety).

For verification of conformity to European legislative provisions indicated above, the manufacturer applied the following European standards and technical rules:

- EN 349:1993+A1:2008: MACHINERY SAFETY - Minimum distance to keep from crushing human body parts.
- EN 1037:1995+A1:2008: MACHINERY SAFETY - Preventing unexpected start-up.
- EN ISO 3746:2010: ACOUSTICS - Determining the sound power levels of sources using sound pressure - Control method on a reflecting surface by measuring an enveloping surface.
- EN ISO 4254-1:2013: AGRICULTURAL MACHINERY - Safety - Part 1: General requirements.
- EN ISO 4254-12:2012: AGRICULTURAL MACHINERY - Safety - Part 12: Disc and drum rotary mulchers and mulchers.
- EN ISO 11202:2010: ACOUSTICS - Noise emitted by machinery and equipment - Determination of emission sound pressure levels at a work station and at other specified positions
- Site control method.
- EN ISO 12100:2010: MACHINERY SAFETY - Basic concepts, general principles for design.
- EN ISO 13524:2009: Machines for road maintenance - Safety requirements.
- EN ISO 13849-1:2008: MACHINERY SAFETY - Safety-related parts of control systems - Part 1: General principles for design.
- EN ISO 13857:2008: MACHINERY SAFETY - Safety distances to prevent hazard zones being reached by upper and lower limbs.
- EN 15436-1:2008: Equipment for maintenance of green areas along road sides - Part 1: Terminology.
- EN 15436-2:2008: Equipment for maintenance of green areas along road sides - Part 2: Performance evaluation.
- CEN/TS 15436-3:2009: Equipment for maintenance of green areas along road sides - Part 3: Classification.
- EN 15436-4:2009: Equipment for maintenance of green areas along road sides - Part 4: Acceptance of delivery of the machines by the user.

GENERAL SAFETY AND ACCIDENT PREVENTION STANDARDS

Level of danger

The safety of the operator and exposed persons is the main concern of the designer and the manufacturer of the machine. When designing a new machine, one tries to plan for all possible danger situations and risks connected to using the machine, adopting the steps necessary to make the equipment as safe as possible. The number of accidents remains very high however, especially due to incautious and awkward use of the machine. It is therefore recommended to carefully read this manual and this section in particular, regarding safety standards, avoiding behavior that is inappropriate or in contrast with the instructions contained in this manual.

Pay attention to the following danger signal were contained in this manual and follow safety instructions.

DANGER

Indicates a hazardous situation which, if not followed, will result in serious injury or death.

WARNING

Indicates a hazardous situation which, if not avoided, could result in serious injury or death.

CAUTION

Indicates a hazardous situation which, if not followed, could result in minor to moderate injury.

Terminology

The indicated levels of danger refer to specific risk situation that may occur during machine use and may involve the same machine, the operator and any exposed persons (according to Directive 2006/42/EC). With the purpose of highlighting situations or operations that may result in risks, the meanings of terms used in this manual are indicated here:

- **HAZARDOUS AREA:** Any area in and/or around a machine where the presence of an exposed person constitutes a risk to the health and safety of said person. (Attachment I, Point 1.1.1., Letter b), Directive 2006/42/EC).
- **EXPOSED PERSON:** A person fully or partly in a hazardous area (Attachment I, Point 1.1.1., Letter c), Directive 2006/42/EC).
- **OPERATOR:** The person or personnel in charge of the installation, the operation, the adjusting, the cleaning, the repairing and the moving of the machine. (Attachment I, Point 1.1.1., Letter d), Directive 2006/42/EC).
- **USER:** the person, entity or company, who purchased or rented the machine and intends to use it according to the intended use foreseen by the manufacturer.
- **SPECIALIZED PERSONNEL:** any person specifically trained and approved to carry out maintenance or repair interventions that require particular knowledge of the machine, its operation, the installed safety devices, intervention modes. It must be capable of recognizing danger present on the actual machine, therefore avoiding at risk situations.
- **RISK:** a combination of the probability and seriousness of injury or damage to health which can arise in a dangerous situation.
- **GUARD:** a part of the machine that is used to specifically guarantee protection by way of a material barrier.
- **PROTECTION DEVICE:** a device that reduces risk (unlike the guard) either on its own or together with the guard.
- **INTENDED USE:** the use of the machine in accordance with the information provided in the operating instructions.
- **REASONABLY FORESEEABLE MISUSE:** the use of the machine different to the information provided in the operator's instructions, which may be the result of readily predictable human behavior.
- **AUTHORIZED ASSISTANCE CENTRE:** The Authorized Assistance Centre, legally authorized by the Manufacturer, is formed by specialized staff able to carry out all types of assistance, maintenance and repair work, even of a certain complexity, required to maintain the machine in perfect working order.

WARNING

Carefully read the following rules. If the instructions described are not followed, a situation may arise which causes irreparable damage to the machine or property, or injury - even severe - to people or animals.

Braber declines all responsibility for damage caused by not complying with the safety and injury prevention regulations described below. Braber also declines any responsibility for damage caused by improper use of the machine and/or as a result of modifications made without authorization by the manufacturer.

Danger plates and warning

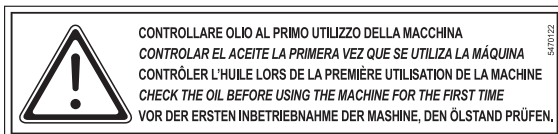
The Mulcher is equipped with pictograms (labels) warning about residual risks present on the machine that it was not possible to eliminate. Figure 3 specifies the meaning of symbols contained in the pictograms.

The operator must memorize the meaning of the symbols. The labels should always be kept clean and replaced immediately if they are fully or partially detached or damaged.

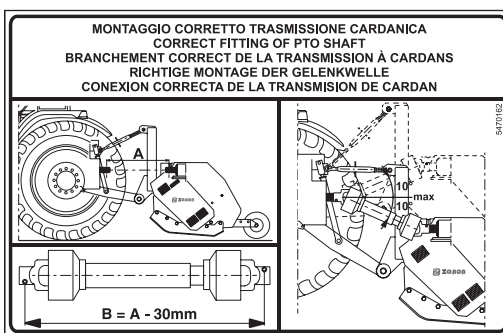


Plates with indications and particular warnings for maintenance and a correct use of some parts of the machine.

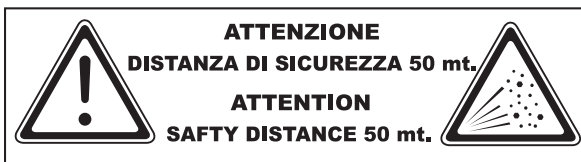
The respect of these plates lengthens the duration and the efficiency of the Mulcher.



Check the oil level the first time the machine is used.



Indicates the correct functioning of the Cardan shaft.



Keep clear from the moving machine; Keep at a safe distance. Do not approach moving parts.



Read the use and maintenance manual with care prior to starting up the machine.



Risk of cutting off feet. Keep at a safe distance.
Do not remove protections before halting and disconnecting the machine.



Always disconnect the machine from the tractor prior to any maintenance and/or lubrication work.



Risk of cutting off hands. Keep at a safe distance.
Do not remove protections before halting and disconnecting the machine.



Risk of falling.
It is prohibited to climb onto the machine.



Risk of entanglement in the Cardan shaft.
Do not approach moving parts.



Risk of ejected objects.
Stay at a safe distance.



Risk of crushing.
Do not stand between the machine and the tractor.



Lifting point.



Risk of entanglement on belts.
Do not approach moving parts.



Use the protection mask



Use protection gloves



Use protection muffs



Use the protective overalls



Use protective footwear



Greasing point.



Indicates maximum adjustment movement (1 cm = 5 Kg) of the belt, for correct transmission.

Fig. 3

Figure 4 shows an indication of the precise points on the machine where labels are usually applied by the manufacturer.

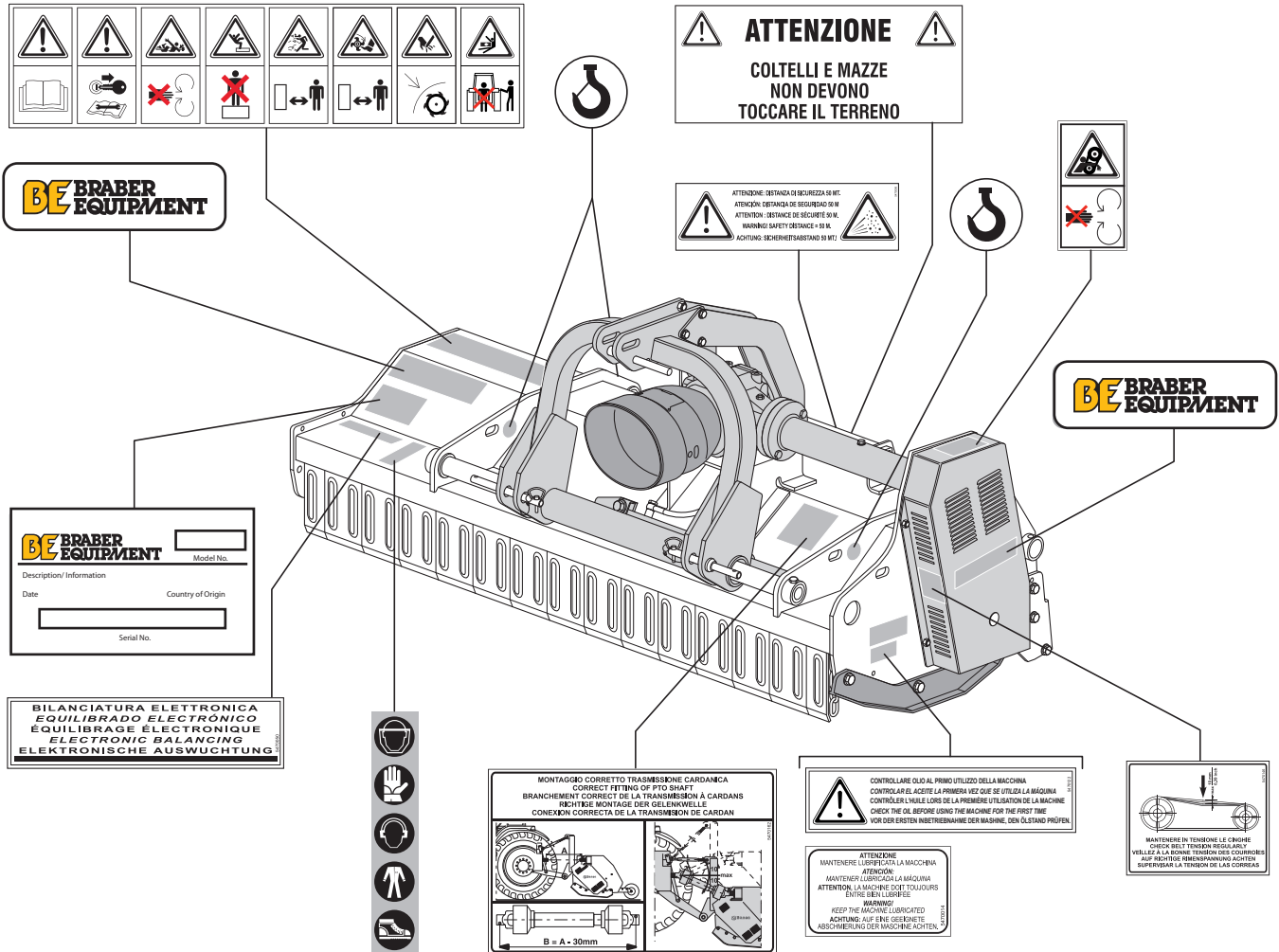


Fig. 4

Clothing

In general, it is necessary to wear suitable clothing for the work to be carried out. In particular, as far as Mulcher use, obey the following provisions:

- It is mandatory to use clothing which is as suitable as possible, meaning not too loose and without any protruding or moving parts (for example ties or necklaces). Do not wear belts, rings and chains. Always use sturdy safety footwear. Long hair must be tied using a specific cap.
- It is mandatory to use protective goggles or a mask before proceeding with the work in order to protect the face and eyes from vegetable fragments which may be projected outwards during mulching.
- It is mandatory to use protective mu s in order to safeguard hearing from noise from the equipment during work.

Ecology and pollution

Below are the minimum provisions to be followed in order to reduce the risk of environmental impact connected to the use of the machine according to European directives related to the Eco-compatibility of products connected to power (Directive 2009/125/EC) and Restrictions in the use of dangerous substances in electrical and electronic equipment (Directive 2011/65/EU):

- If the Country where the machine is used foresees specific sound emission limits, it is best to adapt to the provisions in these standards, if necessary, being supplied with suitable protective equipment (earplugs, muffs, etc.).
- It is mandatory to respect current legislation of the Country where the Mulcher is used, related to use

and disposal of lubricants and products used for machine cleaning and maintenance, observing the recommendations of the manufacturer of those products.

- If replacing worn parts or during demolition, one must follow anti-pollution laws foreseen in the country where the Mulcher is used.
- It is prohibited to pour products used for cleaning or polluting substances into the sewerage drain, on the ground, in watercourses, or into the environment.
- It is mandatory to collect products used for cleaning and polluting substances in appropriate containers, store them and deliver them to companies authorized for their disposal.

Demolition and decommissioning

If deciding not to use the Mulcher, it is best to take a few precautions in order to avoid the risk of environmental pollution. The various parts of the machine must be treated as if they were special waste. One must proceed by taking apart the equipment, grouping the various parts and components in similar parts (rubber, metal, plastic, etc.), providing for disposal of these parts separately, according to existing anti-pollution laws of the Country where the machine was used. Please note that, in general, exhausted lubricating oil, rubber parts and scrap metals are special waste.

Making idle

If the machine is to be set aside for a long period, it is recommended to:

- Treat the Mulcher according to the instructions contained in the paragraph “5.2. Cleaning the Mulcher”;
 - Check the machine and have any damaged parts replaced;
 - Fully tighten all screws and bolts, in particular those which secure the cutters;
 - Perform a general thorough lubrication;
 - Place the Mulcher in a dry area where it cannot be touched by persons not authorized to use it, and rest it on struts of wood;
 - Protect the entire machine with a tarpaulin. If these operations are carried out properly, the user will find the Mulcher in perfect condition when it is required again.
- If the Mulcher is to be dismantled, comply with the relative anti-pollution legislation of the Country of use. It should not be forgotten that the Manufacturer is always available if you require any assistance or spare parts.

Safe use

- It is prohibited to use the Mulcher in ways that are different from the indications contained in the paragraph “1.6. Intended use”.
- It is prohibited to use or have the Mulcher used by anyone who has not read and completely understood the information contained in this manual.
- It is prohibited to use or have the Mulcher used by personnel that are not competent or properly trained or not in good health or physical condition.
- It is forbidden to drive the agricultural tractor attached to the Mulcher or have it driven by personnel without an appropriate driving license.
- It is forbidden to approach or stop near the Mulcher when the machine is running.
- It is prohibited to stop between the agricultural tractor and the Mulcher (area taken up by the cardan shaft) if the combustion engine is running.
- It is forbidden to abandon the driver’s seat on the agricultural tractor with the combustion engine running when the Mulcher is running.
- It is forbidden to alter, tamper with or bypass the safety devices provided by the manufacturer.
- It is forbidden to operate when the labels indicating the warning signs are missing or damaged. Have them immediately replaced with other labels having the same meaning.
- It is forbidden to use the Mulcher when even one split pin, elastic pins or shims supplied with the machine is missing.
- It is prohibited to come close and/or touch moving parts during the work.
- It is prohibited to tamper with, remove, damage or exclude any part of the machine.
- It is forbidden to deposit items on the Mulcher which can harm persons or animals or damage property should they fall.

- It is forbidden to abandon the Mulcher and leave it unattended. The machine and the work area should always be monitored.
- It is forbidden to transport persons or items on board the Mulcher while driving with the tractor.
- It is mandatory to check that all the safety devices of the Mulcher are intact and functional before using it.
- It is mandatory to check that the agricultural tractor on which the Mulcher is installed is of adequate power, weight and configuration, compatible with the model fitted.
- It is mandatory to disconnect the cardan shaft from the PTO and set the control lever of the tractor hydraulic lifter in the blocked position when driving on the road with the Mulcher lifted.
- It is mandatory to use the type of cardan shaft indicated by the manufacturer of the Mulcher.
- It is mandatory to set the control lever of the lifter in the blocked position before connecting or disconnecting the Mulcher from the three-point hitch of the tractor.
- It is mandatory to comply with highway regulations in force in the country where the Mulcher is used.
- It is mandatory to verify that the ground on which the tractor moves is level and sturdy, before using the machine.
- It is mandatory for the environment where the machine operates to have adequate lighting. Insufficient or excessive lighting may pose a risk to the operator.
- It is mandatory to familiarize yourself with the control devices and their functions prior to starting work.
- It is mandatory to make sure that the maximum number of revolutions of the PTO is set to 540 rpm before powering it.
- It is mandatory to make sure that the cardan shaft is connected properly and is fitted with the security devices required before powering the PTO.
- It is mandatory to use suitable clothing. Strictly avoid long or loose clothing that could be caught in any way by moving parts. Wear suitable helmets, glasses, gloves, footwear, etc.
- It is mandatory to disconnect the cardan shaft connecting the multiplier of the Mulcher to the tractor PTO before starting any maintenance.
- It is mandatory to lower the Mulcher attached to the lifter unit, switch the combustion engine off and remove the ignition key from the dashboard of the tractor before leaving the driver's seat and engaging the parking brake.
- It is mandatory for the interventions and adjustments to always be performed with the machine switched off and disconnected from the power.
- It is mandatory to stop the machine and inspect it if abnormal vibration is noted or have it inspected by personnel assigned by the manufacturer until the causes are identified and eliminated.
- It is mandatory to contact a dealer if the machine stops during operations or a component malfunction.
- It is mandatory to always verify, before starting up the Mulcher, that no persons and/or animals are within 50 meters in any direction from the machine.
- It is mandatory if the agricultural tractor has no closed cabin, for the operator to use ear protectors and a dust mask if the working ground lifts a considerable amount of dust.
- It is mandatory to periodically verify that the screws and bolts are tightened and secure, especially those that secure the tools.
- It is mandatory to use the types of lubricating oils indicated by the manufacturer.
- It is mandatory to periodically check the integrity and functionality of the safety devices.
- It is mandatory to comply with the laws in force in the country of installation on the use and disposal of products used for cleaning and performing maintenance on the machine, considering the recommendations of the manufacturer of the given products.
- It is mandatory for the Mulcher to be handled without being subjected to impact with other objects which could compromise the optimal functionality.
- It is mandatory for the Mulcher to be lifted adequately and with suitable lifting accessories and harness and according to the regulations in force in the country where these operations take place.
- It is mandatory for maintenance on the Mulcher to only be performed by skilled and specialized personnel, in strict compliance with the instructions in this manual, and any worn or damaged parts should be replaced.
- It is mandatory to always use original spare parts when carrying out repairs and maintenance.
- It is mandatory to set the Mulcher in a safe place which is protected from the elements, when the work is completed.

The Mulcher has been designed and built-in accordance with current safety regulations. Special maintenance (repairs) must only be performed by qualified personnel and original spare parts must be used.

Safe maintenance

In order to guarantee safe maintenance of the Mulcher it is necessary to respect the following provisions:

- It is prohibited to remove or tamper with the safety devices.
- Periodically check safety device integrity and operation.
- Periodically check screws and bolts tightness.
- It is mandatory to periodically verify the condition of the hoses. They must not be cut or have abrasions, otherwise immediately replace them with other hoses having the same characteristics.
- It is mandatory to comply with the recommended oils.
- It is mandatory to switch the tractor engine off and always disconnect the cardan shaft before cleaning or performing maintenance on the Mulcher.
- It is mandatory to strictly perform maintenance on the Mulcher according to the instructions in this manual and replace the damaged or worn parts with original spare parts only.
- It is mandatory for maintenance on the Mulcher to only be performed by skilled and specialized personnel, in strict compliance with the instructions in this manual.
- It is mandatory to always use original spare parts when performing repairs and maintenance on the Mulcher.

Using non-original parts immediately renders the warranty null and void and can compromise the durability and reliability of the machine.

- It is mandatory for parts or components of the Mulcher to be lifted adequately and with suitable lifting accessories and harness and according to the regulations in force in the country where these operations take place.
- It is forbidden to perform welding, flame-cutting or with a tool or holes on the structure of the Mulcher.
- The dangers signaled on the machine by way of pictograms (labels) of suitable dimensions, applied on the Mulcher in easy to see places.
- These signals give the proper indications in an essential manner in order to avoid danger and prevent the risk of damage or injury. These signs must always be kept clean and immediately replaced when removed, even partially, or damaged: it is prohibited to operate the Mulcher when even one of these signs is missing from the spot where it was installed by the Manufacturer.
- It is mandatory to save and keep this manual for the entire life of the Mulcher.

INSTALLING THE MULCHER

Before starting to use the Mulcher, it is mandatory to read and perfectly understand the instructions contained below.

Transport

The Mulcher is supplied fully assembled and protected with a “heat-shrink” nylon cover. Handles protrude from the cover for lifting and vertical handling of the Mulcher with straps or cables able to withstand the machine’s weight, as illustrated in figure 5. To transport by carriage make sure that the Mulcher is securely anchored to the floor with suitable standard ropes or straps, in accordance with the requirements set out in the paragraph “After use”

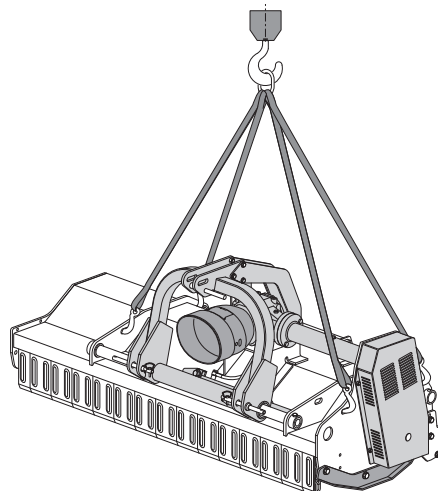


Fig. 5

⚠ WARNING

The machine must be lifted with maximum care and by using lifting devices suitable for the weight and size of the same.

⚠ WARNING

Due to the danger of this operation, it must be performed by expert and responsible personnel. For the lifting device to be used it is mandatory to comply with the safety regulations prescribed by the laws in force in the country where the machine is used.

Do not touch the Mulcher and do not stop within the operating range of the crane.

After transportation, remove the protection film and check that the machine was not damaged in any way. Braber cannot be held responsible for any damage caused by handling carried out any differently from that described in the manual.

First Use

⚠ DANGER

Connecting the Mulcher to the agricultural tractor is a very dangerous phase.

Ensure you carry out the entire operation in strict compliance with the instructions.

The Mulcher features a multiplier with a 1" 3/8 spline power takeoff that can be adapted to any agricultural tractor PTO with a cardan shaft.

Upon the first installation, simply remove the machine from the packaging and set it up correctly.

The installation, adjustment and testing of the Mulcher involve hazardous operations. Carefully read all the instructions described in this manual. If in doubt, contact the Manufacturer directly.

In any case, before commissioning the Mulcher, immediately after transport, check that the supply is intact and complete. The Mulcher can be installed and subsequently removed from the agricultural tractor according to the requirements of the user.

⚠ DANGER

Braber cannot be held liable for damage to persons, animals or property, caused by non-compliance with the safety and accident prevention regulations or operations which do not conform to the information provided in the user and installation instructions.

Prior to installation

Before installing the Mulcher it is advisable to check the suitability, good condition and adjustment of the agricultural tractor on which it will be installed:

- Begin by first checking the power in kW or hp and the minimum mass required of the agricultural tractor. They must match the minimum characteristics stipulated by the Manufacturer of the Mulcher, which are indicated in this manual in the paragraph "1.8. Technical data";
- Move the tractor to the place where the Mulcher was deposited after being transported and stop it in a safe and practical position for assembly to be performed on level ground;
- Lift the Mulcher with a lifting device of adequate capacity and move the machine near the rear part of the tractor, in line with the three-point hitch support. Move the tractor in reverse to attach the equipment to it;

⚠ WARNING

Due to the danger of this operation, it must be performed by expert and responsible personnel. Do not touch the Mulcher and do not stop within the operating range of the lifting device.

Application to the tractor

⚠ WARNING

Clean and clear the installation area from any obstruction before starting to work.

The area must be specifically closed off and personnel not assigned to the works must be made to move away. The available means must be verified to be intact and suitable. The operator must also tighten all the bolts and fittings properly, using suitable tools.

⚠ DANGER

All the following assembly and installation operations must be carried out with the tractor engine switched off.

The application of the mulcher to the tractor must take place on flat ground. All the cutters are applicable to any tractor equipped with a universal three-point hitch. The Manufacturer declines all responsibility for the breakage of the tractor. Proceed as follows for the coupling (Fig. 6):

- Use appropriate protective gloves to move the tractor back until the lifter bars are inside the plates (A) and (B). Insert the pin into the preset hole and secure it with the split pins.
- Switch the tractor off and engage the parking brake.
- Lock the lifter bars on the tractor with the appropriate chains and parallel tighteners: this precaution must take place in order to avoid any transversal movement of the Mulcher.

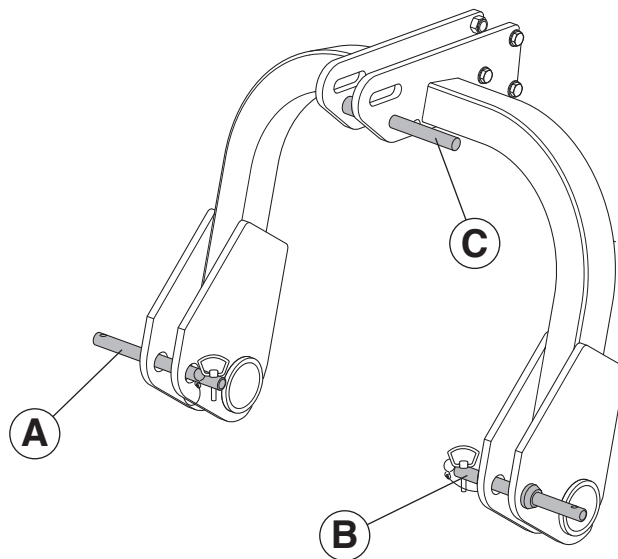


Fig. 6

- Engage the Cardan shaft and make sure that it is perfectly locked on the power take-off.
- Verify that the protection rotates freely and secure it with the appropriate chain. Remove the support from the Cardan shaft.
- Connect the upper point (C), securing it with the appropriate pins and split pins, and use the tie-rod to adjust correctly, making sure that the upper surface of the Mulcher is parallel to the ground. This is very important in order to obtain parallelism between the cutter power take-off shaft axle and the tractor power take-off. Operating in these conditions means limiting the stresses on the power take-off and prolonging the duration of the Cardan shaft and the Mulcher itself.
- The correct position of the tractor / Mulcher unit is such when the mulcher is at a distance from the tractor so that the cardan shaft does not extend beyond 5-10 cm from the maximum closing position.
- If the machine is provided with lateral hydraulic displacement (optional), connect the two hydraulic hoses of the Mulcher to the special connections on the tractor (Fig. 7).
- Engage the PTO and accelerate up to a minimum of 400 rpm. Then test lift the Mulcher to verify proper operation.

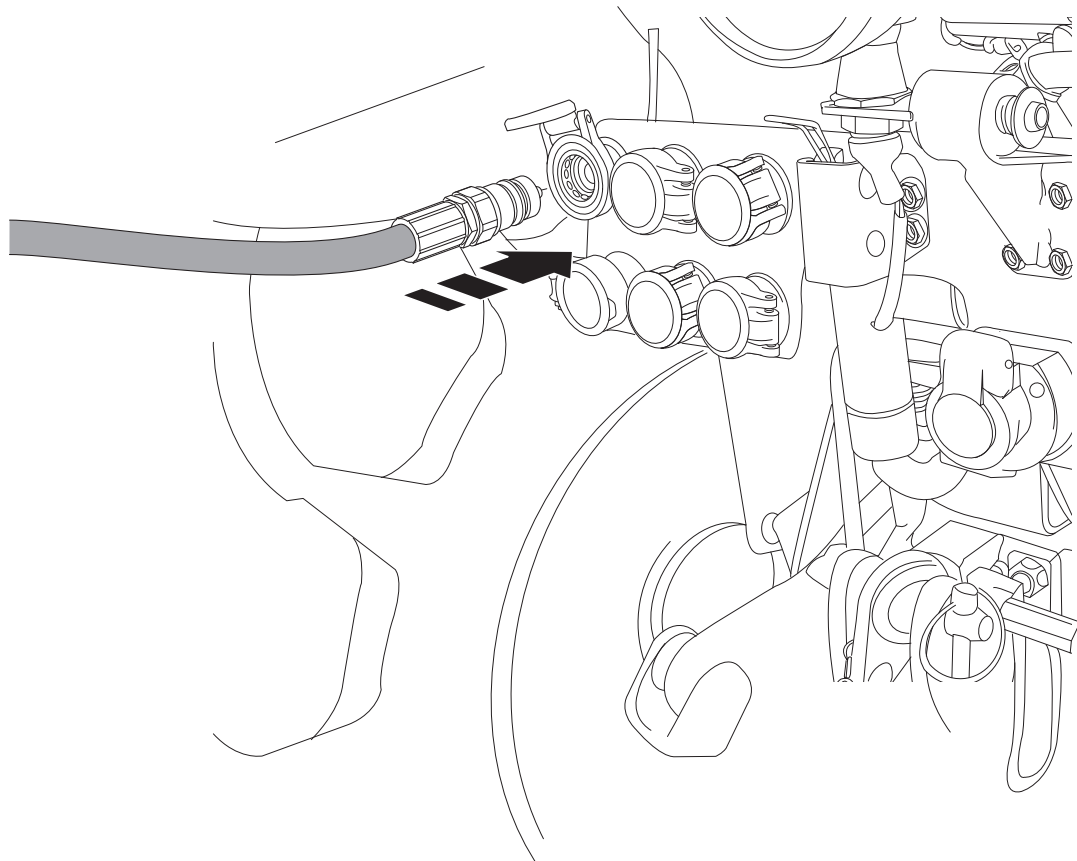


Fig. 7

Cardan shaft

Braber does not include the cardan shaft in supply. It is therefore necessary to purchase it paying careful attention to its length and section. Work inclination of the cardan shaft must be as small as possible (max 10 from the horizontal line): this favors its durability and that of the Mulcher.

N.B.: When you are buying the cardan joint, if you want it to have the correct dimensions, please specify the power of the tractor that will drive the Mulcher.

⚠ CAUTION

Before starting the power take-off, ensure that the rotation speed is the same as that required for the Mulcher (540/1000 rpm).

⚠ WARNING

Braber declines any and all liability for damages caused by the Mulcher to persons, animals or property, resulting from use other than that described in this manual, or due to damage caused by negligence or by not observing the instructions contained in this manual.

⚠ CAUTION

Carefully read the Instruction Manual of the manufacturer of the cardan shaft. It is forbidden to operate with the cardan shaft worn or damaged. Before starting to work, replace the cardan shaft.

⚠ CAUTION

The manufacturer of the cardan shaft recommends that no changes be made to it. The cardan shaft rotates at a significant speed and is subjected to balancing before being placed on the market. Therefore, any changes could cause imbalance, which affect the integrity of the cardan shaft. When the cardan shaft is at its maximum length in any work conditions, the telescopic pipes should overlap by at least 1/3 of their length, as illustrated in (figure 8).

When operating at full power, the minimum play should be 4 cm. Before start-up, check that the safety chains are on the protection devices to prevent them from rotating together with the cardan shaft; also check that the protection devices are in perfect condition.

Lastly, check that the cardan shaft is suitable for transmitting the power required for the Mulcher. When in doubt, contact the Manufacturer.

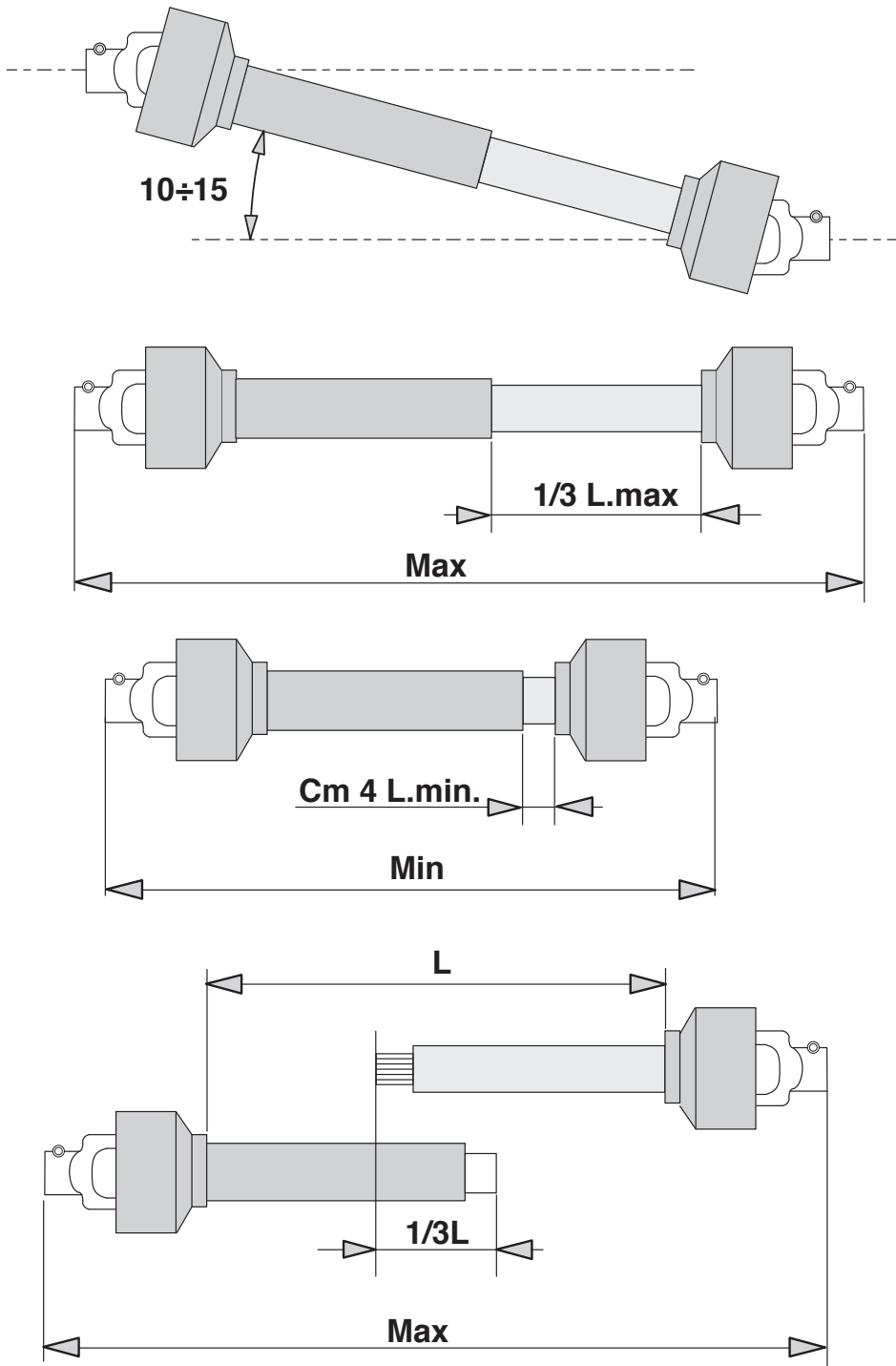


Fig. 8

The Mulcher is fitted with a free-wheel in the transmission box and can also be applied to a crawler tractor or in any case with no double clutch, without the danger that the inertia of the rotor prevents stopping the Mulcher / tractor assembly.

USAGE INSTRUCTIONS

Before use

Prior to starting up the Mulcher, carry out the following operations;

- Check that all the screws and nuts are fastened, especially those that secure the hammers;
- Check that the cardan shaft is inserted correctly between the multiplier and the tractor PTO and also check the operation of the hydraulic pump and the distributor.

⚠ WARNING

Before operating the Mulcher, check the efficiency of the power systems and familiarize yourself with the controls.

During transport and every time, the Mulcher must be lifted with the tractor it is fastened to, the lifting device should be adjusted so that the machine is lifted from the ground by about 35 cm (Fig. 9).

Furthermore, verify that all blocking devices are activated so that the Mulcher is absolutely safe.

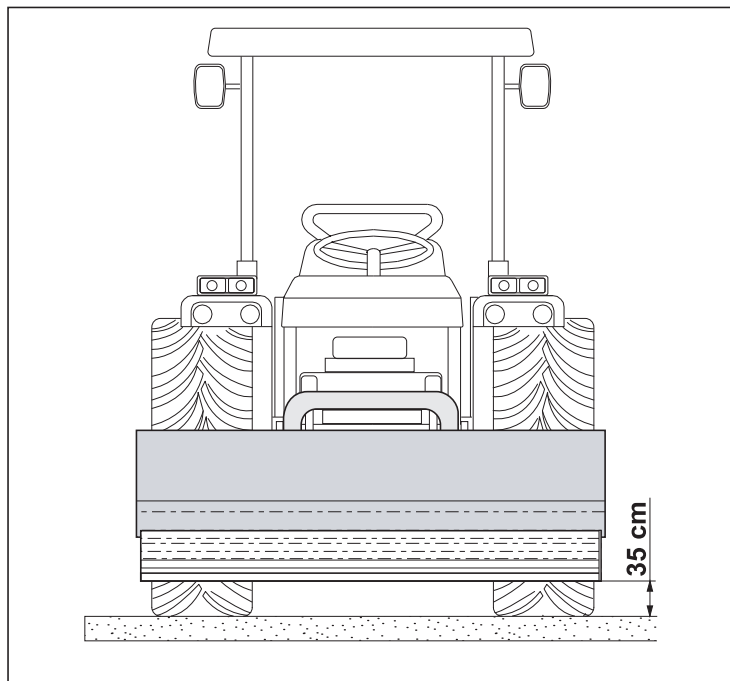


Fig. 9

Machine settings

A number of adjustments can be made on the Mulcher to help the operator in the various working conditions that may arise.

Adjustment of the sliders and roller

Adjust the position of the lateral sliders and the stationary roller so that the tools do not come out of the plane made by the two sliders. In this way, even if there are irregularities in the ground, the tools will not penetrate the ground itself. It is important to check that the Mulcher is perfectly parallel to the ground in order to obtain perfect operation. The adjustment must be carried out using the third point "Tp" of the tractor (Fig. 10).

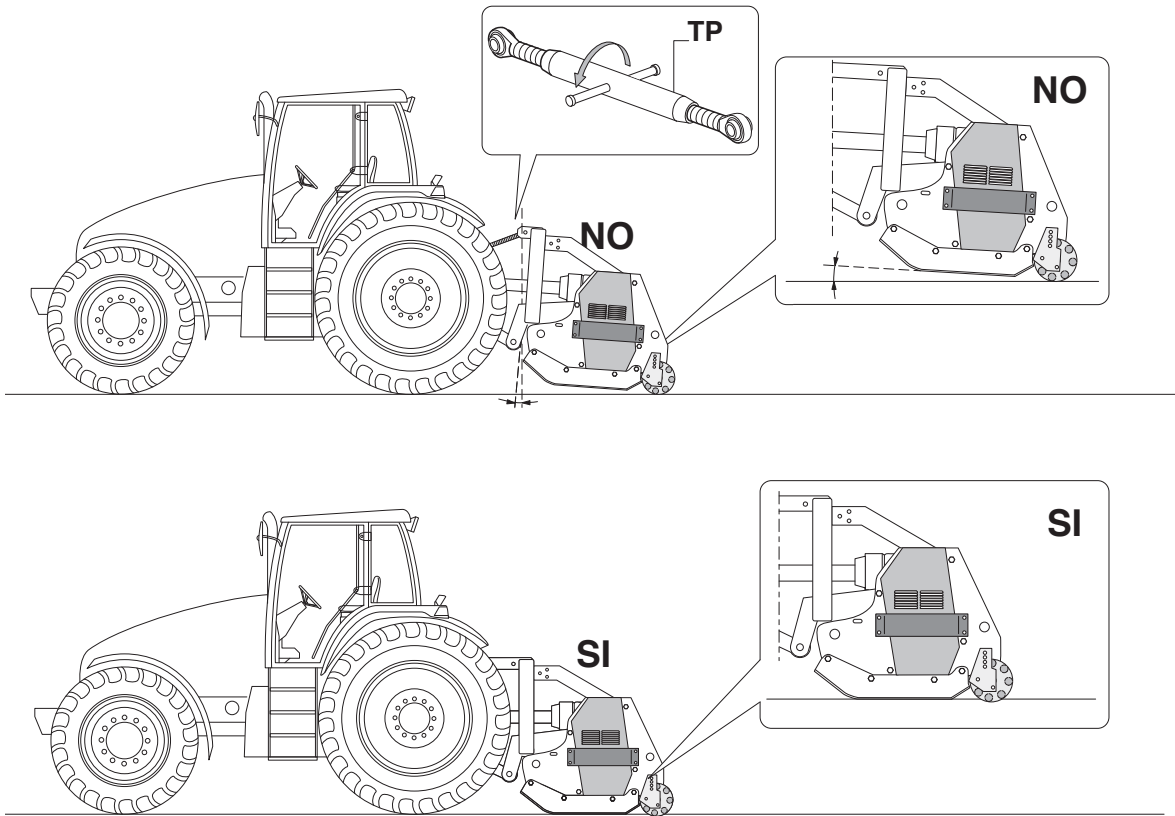


Fig. 10

Adjustment of working height

To adjust the working height, raise or lower the support sliders and the idle roller until obtaining the desired position.

To correctly adjust the working height of the Mulcher, it is necessary:

- To gradually and completely lower the Mulcher, with the tractor off and the emergency brake on, using the lifter, to ground level;
- Adjust the working height so that the tools are at about 3 - 4 cm from the ground (Fig. 11).

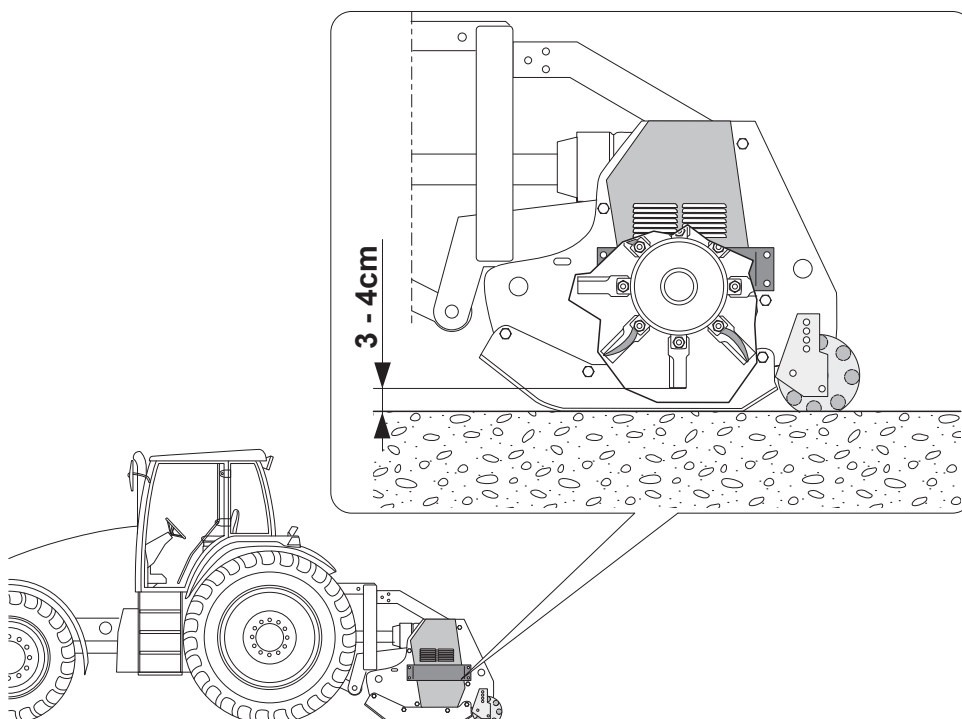


Fig. 11

Adjustment of Mulcher working position

It is possible to work with the Mulcher both in a lateral and central position according to requirements. The machine is already equipped with a mechanical lateral movement which can be replaced with a hydraulic one on request. To adjust the position manually, remove the locking bolt, position the mulcher in the desired position and lock it with the bolt removed at the start of the operation. If the mulcher is equipped with a jack for lateral movement, once coupled to the tractor, connect the hydraulic tubes to the appropriate hitches of the tractor's hydraulic circuit. Using the appropriate lever, the movement of the desired mulcher can be determined from the driving seat. In all cases, movement must be carried out horizontally on the working plane with the mulcher slightly lifted off the ground.

Model	HP Power required	Movement (cm)	
TMS 1400	60 - 70	90	50
		60	80
TMS 1550	60 - 80	90	65
		60	95
TMS 1850	60 - 80	90	95
		60	125
TMS 2050	70 - 110	105	100
		65	140
TMS 2300	90 - 110	105	125
		65	165

After having familiarized yourself well with the controls, and having worn the PPE (personal protective equipment) required, and having set the machine in the desired working position, and having connected the multiplier and secured it properly to the tractor PTO by means of the cardan shaft, start the tractor engine, disengage the parking brake, and engage the PTO while maintaining the engine at low rpm. Before starting work, make sure that there are no exposed persons and/or animals near the machine.

Otherwise, have them move away. On start-up, move slowly with the tractor, gradually and slowly lower the Mulcher until it reaches the ground. Then, the engine can be brought to the work speed. It is recommended not to press the accelerator pedal rapidly when the tractor is stationary and the PTO is engaged and the Mulcher is not running. This can cause damage to the machine and the tractor. The processed material is shredded correctly by maintaining the tractor at a low forward speed and the rotor rotating at a regular speed.

N.B: Braber recommends that you always use a tractor equipped with a closed booth.

⚠ DANGER

IT IS FORBIDDEN TO WORK WITH THE OPEN INSPECTION HOOD.

⚠ WARNING

The speed of the tractor with the Mulcher working must never exceed 5km/h in order to avoid breakage or damage.

⚠ DANGER

During work, stones or other objects found in the terrain can be lifted and projected by the rotating cutters. Constantly check that there are no persons or animals within the operating range of the Mulcher (Fig. 12).

⚠ WARNING

Braber declines any and all liability for damages caused by the Mulcher to persons, animals or property, resulting from use other than that described in this manual, or due to damage caused by negligence or by not observing the instructions contained in this manual.

⚠ WARNING

Avoid letting the Mulcher rotate idly. During work, avoid making bends with the Mulcher lowered and do not work in reverse. It is mandatory to always lift the Mulcher when changing direction or reversing the drive.

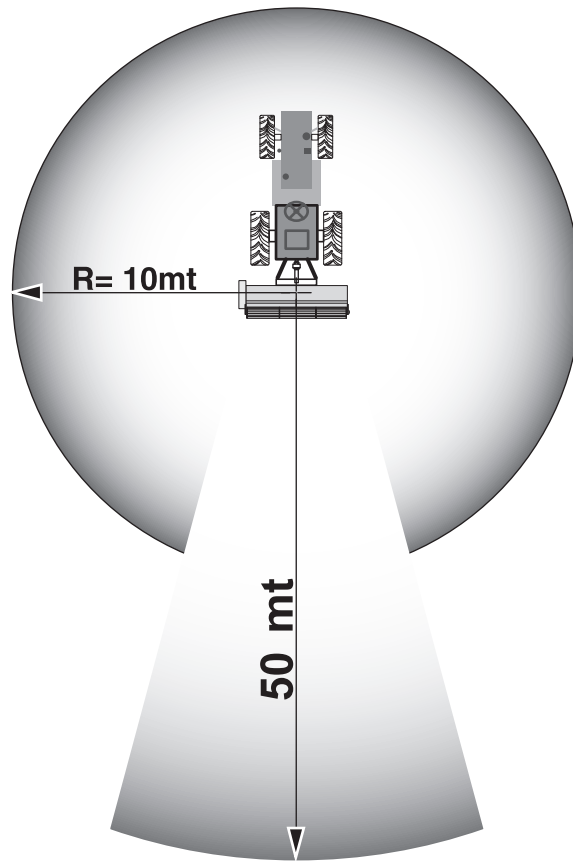


Fig. 12

After use

A few guidelines must be complied with when the work is complete, in order to make sure the Mulcher is stable when released from the tractor:

- Move to the recovery area of the Mulcher, making sure that the supporting surface is flat and free from obstructing material.
- Place the Mulcher on the ground by lowering the bearing levers of the tractor lifter.
- Raise the rear roller so that the Mulcher rests on the slides acting on the third point.
- Switch the tractor off and engage the parking brake.
- Before leaving the driver's seat of the tractor remove the ignition key from the dashboard.
- Disconnect the drive shaft that connects the multiplier with the tractor PTO.
- Release the adjustable arm from the upper third point by releasing the appropriate pins and split pins.
- Release the chains and tensioners of the two tractor bars.
- Release the pins from the bars by releasing the relevant split pins.
- Climb into the driver's seat of the tractor, start up and move the tractor away from the Mulcher.

Store the equipment, preferably in a covered area, on a suitable and flat surface. Follow the instructions in the paragraph "Making idle" of this manual.

Safety devices

There are safety devices in the Mulcher to safeguard the operator.

⚠ WARNING

The safety devices must not be tampered or excluded. They should always be kept in perfect working order.

The following are installed:

- A fixed protection - carter - cardan protection covers both crosses and prevents hands from being introduced into the rotating area of the cardan shaft.
- A fixed protection - carter - belt protection covers both belts and prevents hands from being introduced into the lateral transmission area.
- A safety protection consisting of a number of sheet metal flaps and placed in the lower part of the machine prevents the soil and/or fragments of plants from being projected outwards.
- The warning pictograms of the residual risk essentially indicate an existing danger, a prohibition or requirements that are to be met for the operator's safety and for the Mulcher to operate correctly and remain intact.

MAINTENANCE

Routine maintenance operations are listed below. Extraordinary maintenance operations (repairs of parts or components) can be carried out by specialized personnel authorized by the manufacturer.

⚠ WARNING

The schedule is for information purposes only and depends on normal operation conditions. Conditions can in fact change depending on the service, the environment and on frequency of use. If conditions are particularly awkward, the frequency of maintenance operations should be amended accordingly.

⚠ WARNING

It is mandatory to make sure that the cardan shaft connecting the multiplier of the Mulcher is disconnected from the agricultural tractor PTO before starting any maintenance.

⚠ WARNING

After maintenance, always restore any safety devices that may have been removed, so that they are in place before new work is started.

It is recommended to always use oil of the same type and quality as used previously when refilling or changing the oil. Greasing points should be cleaned carefully before lubrication, to prevent mud, dust or foreign bodies from mixing with the lubricant.

- It is mandatory that any repair and/or maintenance intervention be carried out by an operator with suitable physical and intellectual requirements.
- It is mandatory to verify that during maintenance or repair operations, unauthorized personnel are kept away from the Mulcher.
- It is prohibited to deactivate protection and safety devices. When it becomes necessary to deactivate these devices in order to carry out extraordinary maintenance, the operation must only be completed for extraordinary maintenance and only by a maintenance mechanic, who will guarantee operator safety and avoid any damage to the machine, as well as restoring the effectiveness of the same devices at the end of maintenance operations.
- It is mandatory to switch the engine of the agricultural tractor which the Mulcher is connected to off before performing any maintenance or mechanical setting, and disconnect the cardan shaft.
- It is recommended to perform all maintenance that is not covered in this manual in an authorized service center.

Before restarting the Mulcher after lubrication and/or maintenance, it is mandatory to wait for the authorization of the mechanical maintenance technician who must verify that:

- The works have been completed;
- The Mulcher works perfectly;
- The safety devices are in their correct place and fully functional;
- No other operations are being performed on the tractor.

Periodic maintenance

In order to guarantee proper operation of the Mulcher and improved operator safety, it is necessary to periodically intervene with controls and maintenance operations listed in the table shown below.

	Upon the first use	The first 8 work hours	Every 8 work hours	Every 50 work hours	Every 400 work hours
General check	■	■			
Tightening of screws and bolts	■	■	■		
Check the wear of the hammers and of their locking screws	■		■	■	
Greasing spiders and Cardan shaft	■	■		■	
Greasing rotation points	■		■		
Verify multiplier box oil level	■			■	
Complete change of multiplier oil	■				■
Check transmission belt tension	■		■		
Tightening locking sets, pulleys and pinions (with torque wrench) (44 Nm)	■		■		

⚠ WARNING

The machine must be checked by an authorized concessionary if any of its parts are worn or in poor condition.

⚠ WARNING

Replace the hydraulic tubes each time they are damaged or, in any case, before the sixth year. The used hydraulic oil must be properly collected and must not be dispersed into the environment since, according to the laws in force, it is classified as dangerous waste and for this reason it must be given to the proper collecting centers. Please, refer directly to the closest company for the collection of the used oils.

Maintenance on the hammers

⚠ WARNING

Braber is not liable for damage caused by vibrations generated by cutting rollers which have not been balanced after the hammers have been replaced. Any requests for replacement under warranty or reimbursement for damage caused due to the rollers malfunctioning will not be accepted.

The hammers with which the Mulcher is equipped are suitable for working on grounds of normal conformation. It is mandatory to check their integrity and the degree of wear every day. When faults or deformation occur in the hammers during work, it is mandatory to replace them immediately. Replacing a single hammer is generally not recommended. This can only be done when all other tools are in excellent condition and in any case, in order not to compromise the proper operation of the rotor, it is mandatory to also replace the opposite tool so as not to cause an imbalance in the masses. It is recommended to always replace all the tools and not just the damaged ones, in order to guarantee proper operation. After changing the tools it is mandatory to subject the roller to electronic balancing to guarantee the Mulcher works properly, free from vibrations that can cause serious damage to the machine.

To replace worn or broken hammers is necessary to:

- Position the Mulcher and tractor on flat ground;
- Raise the Mulcher with the lifter to the maximum height possible;
- Place adequate support stands under the Mulcher on both sides for the machine to be perfectly stable;
- Switch off the tractor motor and engage the parking brake;
- Be equipped with adequate keys and proceed with the replacement of the hammers: forcibly tighten the securing screws;
- Before installation, weigh the individual blocks of hammers or blades as differences in weight are inevitable;
- Select pairs of hammers and blades that have the same weight and mount them on the rotor in opposite diametrical position.

The quality and integrity of the Mulcher and its safety depend on how the hammers are cared for. They must be replaced immediately when damaged. Normal wear is exceeded and accentuated when operating on sandy terrains or if the Mulcher is positioned too low and frequently bumps against any obstacles, which can lead to distortions or cracks in the hammers. Damage to the tools will inevitably deteriorate the quality of work and increase vibration, possibly damage the Mulcher and partially or totally damage the hammers and blades resulting in metal fragments being dangerously projected at high speed into the area where the machine operates. When replacing the hammers and blades, it is mandatory to check that the seat of the tool pin is not ovalized and its size is not more than 2 mm more than the original diameter.

For hammers wear (see Fig. 13):

- The length of the hammer must not be less than the size indicated in the figure.
- The securing with pins can be carried out with nuts: the nuts must be changed every time a cutter or hammer is replaced; the tightening couple is 250 Nm.

The special screws must be replaced to fasten the hammers if visibly damaged, bent or ovalized to the limit (see Fig. 13). When finished, remove the support stands, start up the tractor, lower the Mulcher and turn off the tractor.

⚠ CAUTION

Only use original spare parts

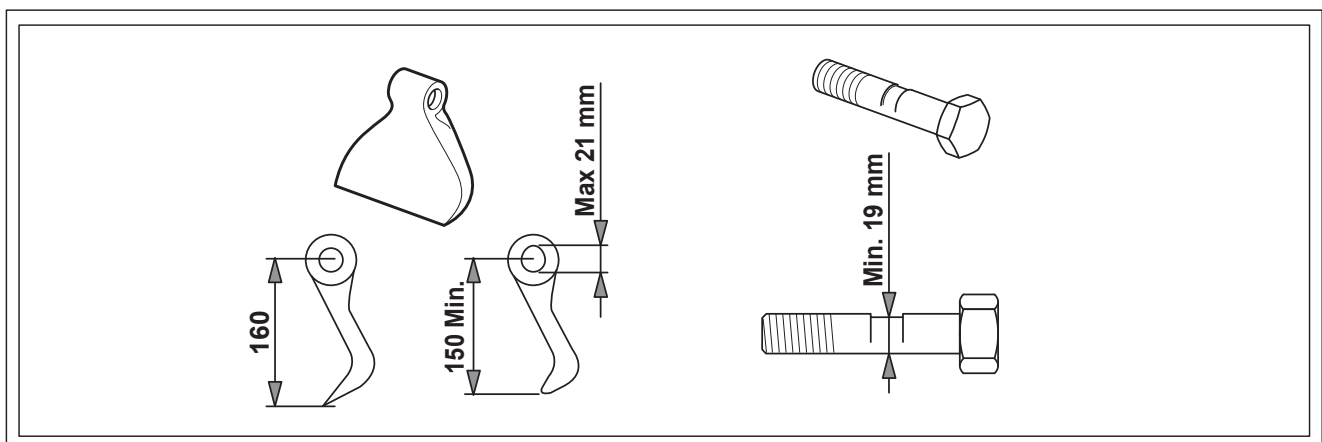


Fig. 13

Belt maintenance

The driving force is transmitted to the hammers (or cutters) holder rotor of the Mulcher by belts with adjustable tension. Periodically, or if the belts malfunction or slip, check the tension of the transmission belts from the appropriate slit and, if necessary, replace them.

Referring to figure 14, do the following:

- Remove the nuts fastening the protective casing;
- Loosen the bolts (A) which fix the transmission box (B);
- Loosen the nuts (C) and (E) and use the coupling screw (D) to adjust the tension of the belts;

It is advisable to be equipped with a metal ruler of adequate length and, placing it on the edge of the two pulleys, it must touch all four edges of the pulleys themselves. Press on the belts, in the central area between the two pulleys, with a force of 5kg: the force must cause a deformation on the individual belt of 1 cm.

- Tighten the bolts which fix the transmission box and extension;
- Re-assemble the previously removed casing;

The belts are stretched when working overtime: when replacing a worn or broken belt, for a correct distribution of forces, it is mandatory to replace the entire set of belts.

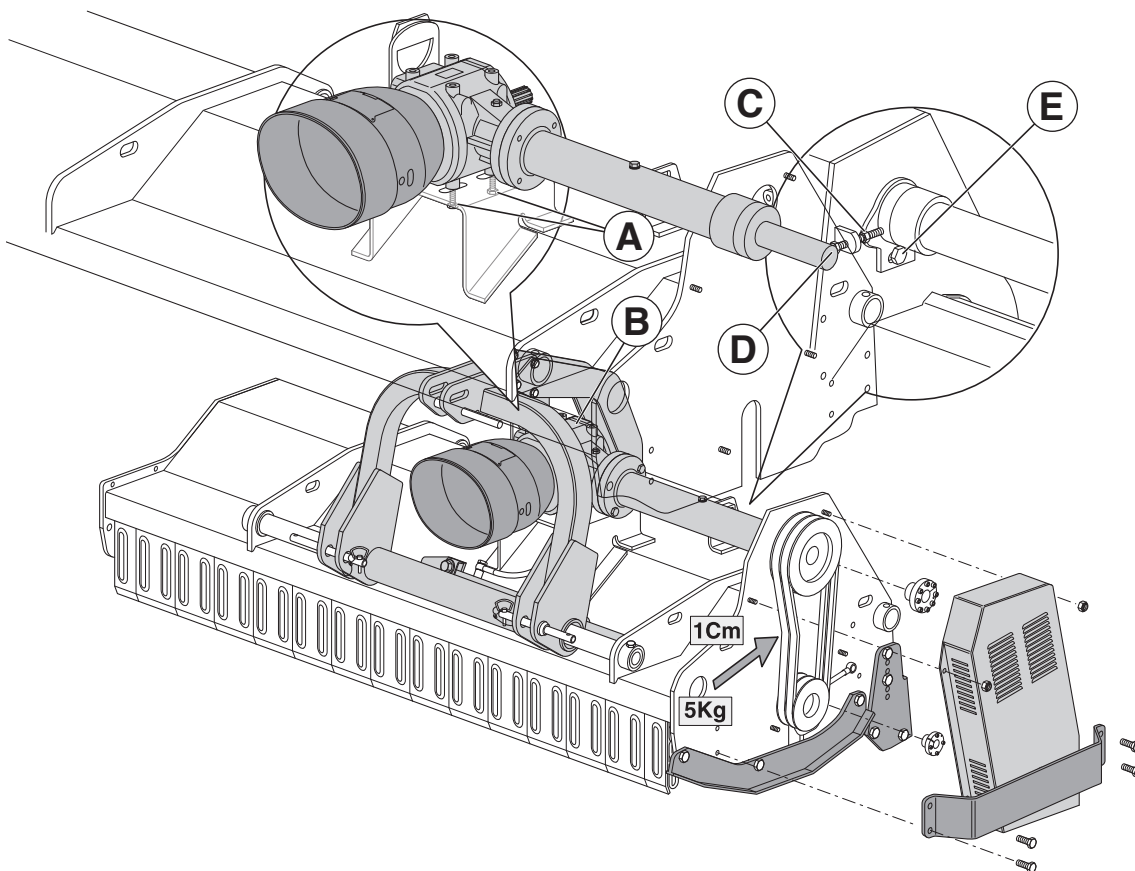


Fig. 14

Cleaning the Mulcher

⚠ DANGER

This operation is extremely hazardous so the following instructions must be followed.

- Wear protective gloves and shut off the thermal engine of the agricultural tractor, subsequently disconnecting the cardan shaft;
- For cleaning at the end of work, before completely stopping the machine, leave it on for 20-30 seconds so that any material residue is ejected;
- The Mulcher must be cleaned inside using an air jet and rags.
- Eliminate any residue of material or dust from the external surface of the machine.

⚠ WARNING

It is strictly prohibited to clean the Mulcher with water or other liquid substances.

Lubricants

With reference to Fig. 15, the following lubricants are to be used for the different parts of the machine:

- For the transmission box (1): SHELL SPIRAX S2 A 80W-90 or equivalent responding the API - GL5/MIL-L-2105C specifications is recommended. The quantity of oil is 1,2 lt. Do not exceed the prescribed quantity;
- For all (2) and (3) greasing points: SHELL RETINAX WB 2 GREASE or equivalent is recommended.

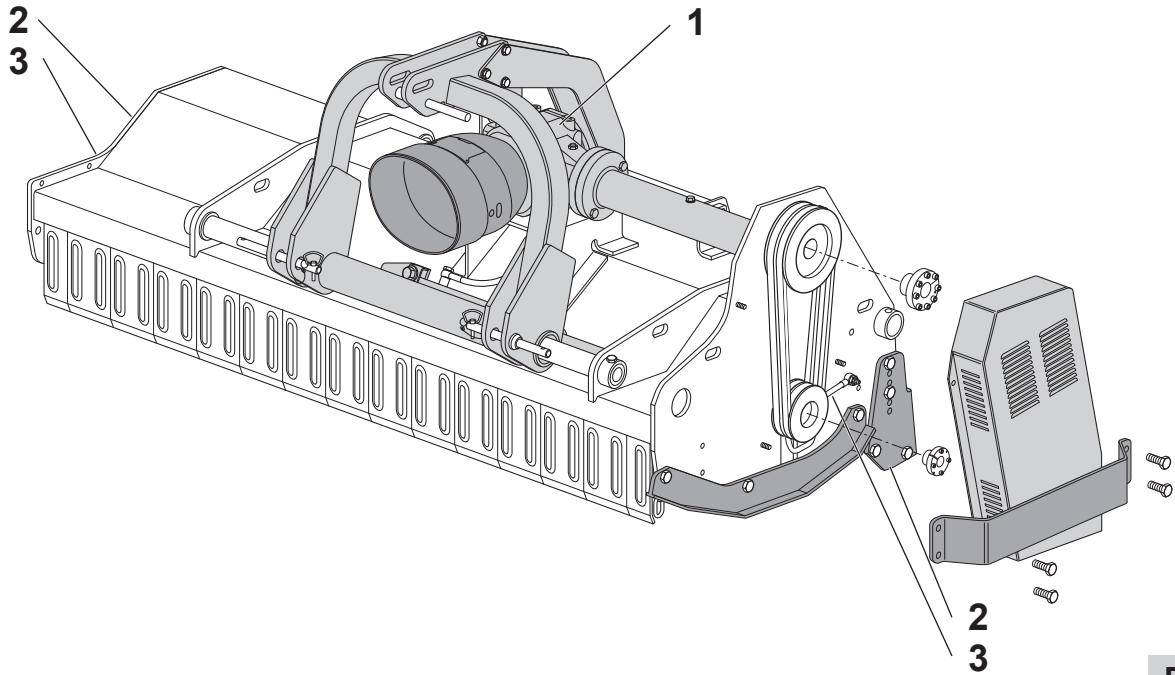


Fig. 15

TROUBLESHOOTING

SEARCH FOR ANOMALIES

If the Mulcher malfunctions, search the causes and the solution of the problems in the following table:

PROBLEM	CAUSE	REMEDY
Excessive grinding of the product to be cut	Mulcher too low	Slightly raise the Mulcher from the ground, adjusting the height
	Forward speed too slow	Increase the advancing speed
Scarce grinding of the product to be cut	Mulcher too high	Slightly lower the Mulcher from the ground, adjusting the height
	Forward speed too high	Reduce the advancing speed
	Terrain too wet or muddy	Wait for the terrain to dry
Rotor clogging	Terrain too wet or muddy	Wait for the terrain to dry
	Mulcher too low	Raise the Mulcher from the ground
	Forward speed too high	Reduce the advancing speed
Drop in rotor speed	Belt overheating	Adjust belt tension
The Mulcher bounces on the ground or vibrates	Foreign bodies stuck between the tools	Clean the rotor and tools
	Tools mounted incorrectly, without the helical layout or with the edge penetrating the terrain	Check and re-install the tools
	Worn or broken tools	Replace the tools
	Deformation of the rotor due to foreign bodies having hit the central part	Replace the rotor. Contact the Braber service cent
Roller support bearing seizure	No oil lubrication	Verify oil level
	The machine does not move sideways	Check the oil level and condition of the jack (optional)
	The machine does not rotate	Check the oil level and condition of the jack (optional)

SPARE PARTS

Orders for spare parts must be addressed to the area resellers of Braber.

To request any particular spare part, first specify the data related to the machine, found printed on the identification plate, and therefore:

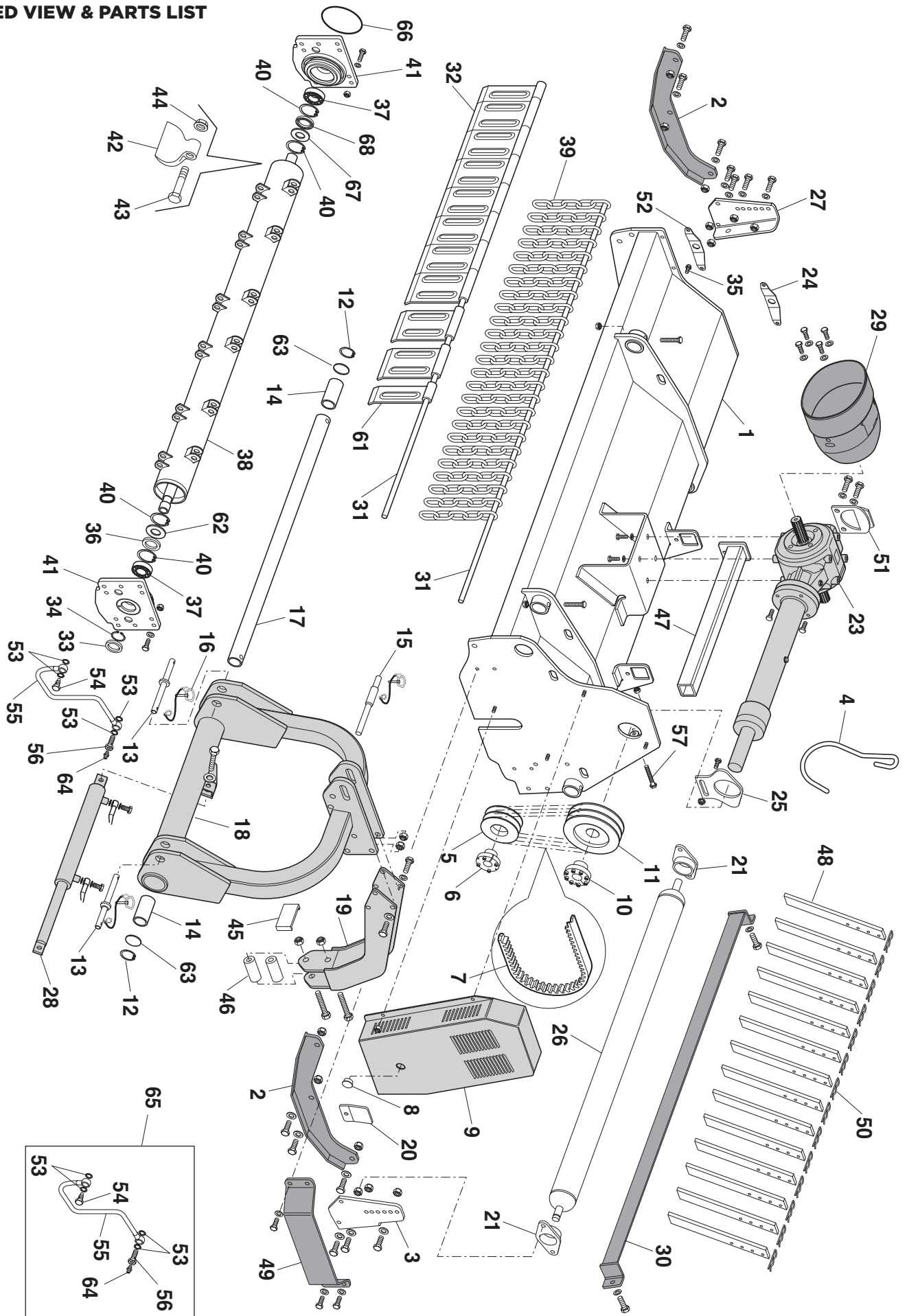
- Machine type.
- Machine model.
- Serial number of the machine.
- Year of construction.

To this, add information regarding the piece being requested that is contained in the spare parts table and therefore:

- Piece code number.
- Piece description.
- Quantity requested.

Finally, specify the most advantageous means for shipping the goods.

EXPLODED VIEW & PARTS LIST



REF	PART NO	DESCRIPTION	QTY
1	3230919	Full Body Forage Harvester TMS 1400	1
	3230685	Full Body Forage Harvester TMS 1550	1
	3230686	Full Body Forage Harvester TMS 1850	1
	3230687	Full Body Forage Harvester TMS 2050	1
	3230823	Full Body Forage Harvester TMS 2300	1
	3231920	Full Body Forage Harvester TMS 2600	1
2	3230690	Compound Forage Slide	2
3	3230901	Comp. Supp. SX Crazy Roll TMU-TRP-TMS	1
4	5215111	Galvanized Cardan Support Hook	1
5	5353056	Vibik Pulley SPB Ø180/G4 f.80 m. lat. TMS 1400-1550	1
	5353057	Vibik Pulley SPB Ø180/G5 f.80 m. lat. TMS 1850-2050	1
	5353070	Vibik Pulley SPB Ø180/G6 f.80 m. lat. TMS 2300	1
6	5356002	Viblock Shrink Disk 156 Ø45x80 TFZ	1
7	5354058	Belt SPB 1690 Notched TMS 1400-1500	4
	5354058	Belt SPB 1690 Notched TMS 1850	5
	5354058	Belt SPB 1690 Notched TMS 2050	5
	5354058	Belt SPB 1690 Notched TMS 2300	6
	5354058	Belt SPB 1690 Notched TMS 2600	6
8	5400017	Cylinder Cap (OTM 02/ST Ø 36)	1
9	3230693	Mulchers Belt Carter TMS - TMR	1
10	5356001	Viblock Shrink Disk 156 Ø40x80	1
11	5353111	Vibik Pulley SPB Ø250/4G f.80 TMS 1400-1550	1
	5353112	Vibik Pulley SPB Ø250/5G f.80 TMS 1850-2050	1
	5353130	Vibik Pulley SPB Ø250/6G f.80 m.lat TMS 2300	1
12	5333043	Stop Ring Ø75 INT. UNI7437 DIN472	2
13	5215016	Parallel Connection Pin Art.1620	2
14	5400200	Nylon Murylon Bush 6 Ø 68/61 L=80	2
15	5215015	Pin Attachment 3 Point Art.1611	1
16	5341017	Snap Split Pin Ø 10 With Tie Rod Art.252	3
17	5220462	Shredder Support Tube TMS 1400-1550	1
	5220463	Shredder Support Tube TMS 1850-2050	1
18	3230688	Compound Castle Forage Harvester TMS	1
19	3230689	Compound With Forage Arch Support TMS	1
20	5227158	Shredder Dust Cover TMR - TMS	2
21	5364004	Bearing UCFL 206 with Holes Ø 16	2
23	2020034	Transmission Box TMS 1400-1550-1850	1
	2020035	Transmission Box TMS 2050	1
	2020036	Transmission Box TMS 2300	1
	2020045	Transmission Box TMS 2600	1
24	5225995	Forage Grease Guard Protection	1
25	5226676	Shredder Reducer Support Ring TMS	1
26	3230920	Idle Roller Compound TMS 1400	1
	3230908	Idle Roller Compound TMS 1550	1
	3230909	Idle Roller Compound TMS 1850	1
	3230910	Idle Roller Compound TMS 2050	1
	3230911	Idle Roller Compound TMS 2300	1
	3230979	Idle Roller Compound TMS 2600	1
27	3230902	Comp. Supp. DX Crazy Roll TMU-TRP-TMS	1
28	2050010	Hydraulic Shift Unit L.300 Complete	1
	2050011	Hydraulic Shift Unit L.400 Complete	1

REF	PART NO	DESCRIPTION	QTY
29	5400112	Cardan Protection Cap Art.36/211	1
30	5213009	Scraper TMS 1400	1
	5213001	Scraper TMS 1550	1
	5213002	Scraper TMS 1850	1
	5213003	Scraper TMS 2050	1
	5213004	Scraper TMS 2300	1
	5213017	Scraper TMS 2600	1
	31	5215340	Drawn Forage Flaps TMS 1400
5215224		Drawn Forage Flaps TMS 1550	2
5215225		Drawn Forage Flaps TMS 1850	2
5215226		Drawn Forage Flaps TMS 2050	2
5215300		Drawn Forage Flaps TMS 2300	2
32	5215365	Drawn Forage Flaps TMS 2600	2
	5226675	Large Protection Flap TMS 1400	11
		Large Protection Flap TMS 1550	13
		Large Protection Flap TMS 1800	14
		Large Protection Flap TMS 2050	16
Large Protection Flap TMS 2300		19	
Large Protection Flap TMS 2600	22		
33	5381002	Sealing Ring TC 45 - 75 - 10	
34	5332037	Stop Ring D.55 Est. UNI7435 DIN471	1
35	5313002	Grease Gun M 10x1 Uni 7663 Type A Z	1
36	5380010	Sealing Ring TC 60 - 100 - 10	1
37	5360038	Bearing 22211 55-100-25 CW33	2
38	3230921	Forage Roller Compound TMS 1400	1
	3230674	Forage Roller Compound TMS 1550	1
	3230675	Forage Roller Compound TMS 1850	1
	3230676	Forage Roller Compound TMS 2050	1
	3230824	Forage Roller Compound TMS 2300	1
	3231921	Forage Roller Compound TMS 2600	1
39	5351007	Genoese Chain 30 300 L=286 ZIN. 7 cat. TMS 1400-1550	39
		Genoese Chain 30 300 L=286 ZIN. 7 cat. TMS 1850	46
		Genoese Chain 30 300 L=286 ZIN. 7 cat. TMS 2050	52
		Genoese Chain 30 300 L=286 ZIN. 7 cat. TMS 2300	58
		Genoese Chain 30 300 L=286 ZIN. 7 cat. TMS 2600	67
40	5333053	Stop Ring D.100 INT.UNI7437 DIN47	4
41	3230351	COMP Support CUSC. NEW UNI UNIFIED	2
42	5350098	Sledgehammer RMD. 69 HOLE D. 20,5 TMS 1400	10
		Sledgehammer RMD. 69 HOLE D. 20,5 TMS 1550	12
		Sledgehammer RMD. 69 HOLE D. 20,5 TMS 1850	14
		Sledgehammer RMD. 69 HOLE D. 20,5 TMS 2050	16
		Sledgehammer RMD. 69 HOLE D. 20,5 TMS 2300	18
		Sledgehammer RMD. 69 HOLE D. 20,5 TMS 2600	22

REF	PART NO	DESCRIPTION	QTY
43	5315124	Screw TE M 20x133 Special 10.9 TMS 1400 (Until 2018)	10
		Screw TE M 20x133 Special 10.9 TMS 1550 (Until 2018)	12
		Screw TE M 20x133 Special 10.9 TMS 1850 (Until 2018)	14
		Screw TE M 20x133 Special 10.9 TMS 2050 (Until 2018)	16
		Screw TE M 20x133 Special 10.9 TMS 2300 (Until 2018)	18
		Screw TE M 20x133 Special 10.9 TMS 2600 (Until 2018)	22
	5315550	5315550 Screw TE M 20x133 Special 10.9 TMS 1400 (From 2018)	10
		5315550 Screw TE M 20x133 Special 10.9 TMS 1550 (From 2018)	12
		5315550 Screw TE M 20x133 Special 10.9 TMS 1850 (From 2018)	14
		5315550 Screw TE M 20x133 Special 10.9 TMS 2050 (From 2018)	16
		5315550 Screw TE M 20x133 Special 10.9 TMS 2300 (From 2018)	18
		5315550 Screw TE M 20x133 Special 10.9 TMS 2600 (From 2018)	22
44	5323018	NUT AUT. M 20x1 UNI 7474 ZN H = 20mm TMS 1400	10
		NUT AUT. M 20x1 UNI 7474 ZN H = 20mm TMS 1550	12
		NUT AUT. M 20x1 UNI 7474 ZN H = 20mm TMS 1850	14
		NUT AUT. M 20x1 UNI 7474 ZN H = 20mm TMS 2050	16
		NUT AUT. M 20x1 UNI 7474 ZN H = 20mm TMS 2300	18
		NUT AUT. M 20x1 UNI 7474 ZN H = 20mm TMS 2600	22
45	5400201	Rear Guide Shoe Castle Mulcher TMS	2
46	55220461	Guide Roller for Mulcher Castle TMS	2
47	3230691	Rear Guide Compound TMS 1400-1550	1
	3230692	Rear Guide Compound TMS 1850-2050	1
48	5210292	Sarmenti TMS 1400-1550 Collection Auction	13
		Sarmenti TMS 1850 Collection Auction	15
		Sarmenti TMS 2050 Collection Auction	17
		Sarmenti TMS 2300 Collection Auction	19
		Sarmenti TMS 2600 Collection Auction	22
49	5226684	TMS Mulchers Belt Carter Protection	1
50	5341013	Beta Plug D.5 Art 27 TMS 1400-1550	13
		Beta Plug D.5 Art 27 TMS 1850	15
		Beta Plug D.5 Art 27 TMS 2050	17
		Beta Plug D.5 Art 27 TMS 2300	19
		Beta Plug D.5 Art 27 TMS 2600	22
51	5225745	Forage Harvester Hook	1
53	5429014	Copper washer DA M10	4
54	5315318	Special Screw M6 Grease Cutter	1
55	5432071	Right Grease Gun Tube	1
56	5315317	Special Screw M10 Grease Cutter	1
57	5318015	TE M14x155 UNI 5739 DIN 933 Zinc Screw	2
61	5226690	Small TMS Protection Flap	2
62	5227712	Oil Seal Cover Ø60	1
63	5227157	Castle cover TMS-TMR-TME-TRE	2
64	5313001	Grease Gun M6x1 UNI 7663 TYPE A Z	1

REF	PART NO	DESCRIPTION	QTY
65	2050182	Right Copper Greasing Kit For Mulcher	1
66	5385041	O-Ring 3.53x107.5 OR4425	1
67	5227711	Oil Seal Cover Ø55	1
68	5380009	Sealing ring TC 55-100-10	1



BRABEREQ.COM
WGSALES@BRABEREQ.COM

PHONE: 604-850-7770
FAX: 604-850-7774
TOLL FREE PHONE: 1-877-588-3311
TOLL FREE FAX: 1-800-665-7334