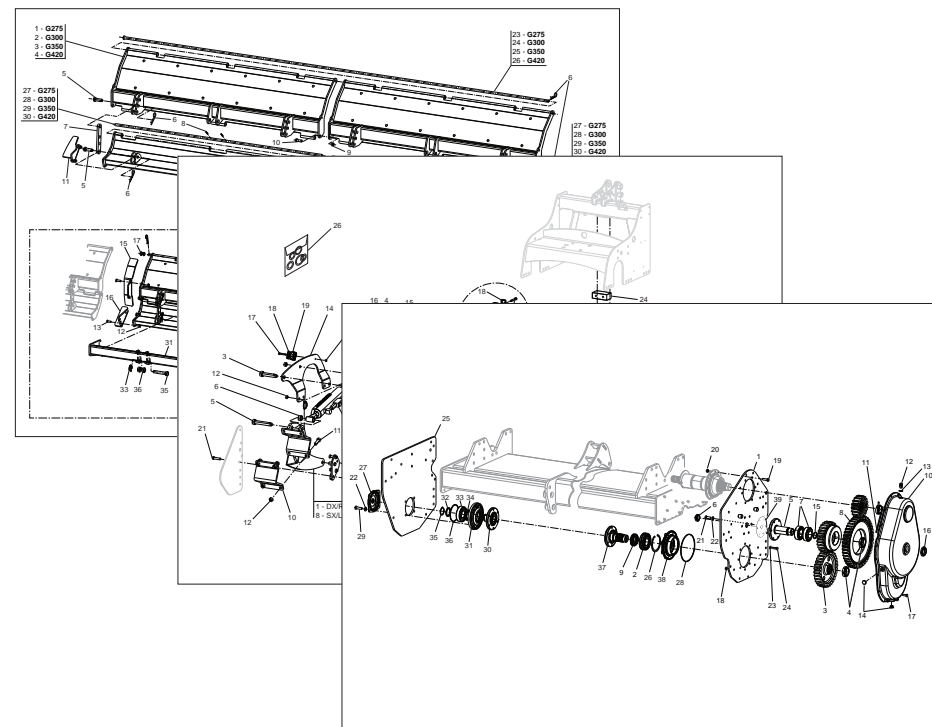


**MASCHIO GASPARDO S.p.A.**



**G**

**Cod: F07011374**

**2016-10**

- \*) Valido per Paesi UE
- \*) Valid for EU member countries
- \*) Valable dans les Pays UE
- \*) Gilt für EU-Mitgliedsländer
- \*) Válido para Países UE

- IT** PARTI DI RICAMBIO
- EN** SPARE PARTS
- DE** ERSATZTEILE
- FR** PIÈCES DÉTACHÉES
- ES** PIEZAS DE REPUESTO

**PARTI DI RICAMBIO****SPARE PARTS****ERSATZTEILE****PIECES DÉTACHÉES****RESPUESTOS**

Le ordinazioni delle parti di ricambio vanno fatte presso i nostri concessionari di zona e devono essere sempre corredate dalle seguenti indicazioni:

- **Tipo, modello e numero di matricola dell'attrezzatura.** Tali dati sono stampigliati nell'apposita targhetta di cui è dotata ogni attrezzatura.

- **Numero di codice della parte richiesta** rilevabile dal catalogo ricambi.

- **Descrizione del particolare e quantità richiesta.**

- **Numero della tavola.**

- **Mezzo di trasporto.** Nel caso questa voce non sia specificata, la Ditta Costruttrice, pur dedicando a questo servizio una particolare cura, non risponde di eventuali ritardi di spedizione dovuti a cause di forza maggiore.

Le spese di trasporto si intendono sempre a carico del destinatario. La merce viaggia a rischio e pericolo del committente anche se venduta franco destino.

**NOTA:** Il termine **(Dx) Destro** o **(Sx) Sinistro** della macchina o di parti di essa, è inteso guardando la macchina dalla parte posteriore. Le eccezioni saranno indicate.

*Orders must be transmitted through our area dealers and should always include the following indications:*

- **Type, model and serial number of the machine.** *These data are punched on the data plate with which every implement is equipped.*

- **Code number of the required spare part.** *This will be found in the spare parts catalogue.*

- **Description of the part and required quantity.**

- **Table number.**

- **Means of dispatch.** *If this item is not indicated, the Manufacturer, while dedicating particular care to this service, shall not be held responsible for delays in delivery caused by cases of force majeure.*

*Transport expenses shall always be at the consignee's charge. The goods travel at the purchaser's risk and peril even when sold ex destination.*

**NOTE:** *The symbols (Dx) right and (Sx) left, concerning the machine or single parts of it, are referred, as in the figure, to a rear view of them. Exceptions will be indicated.*

Die Bestellungen müssen bei unseren Gebietshändlern aufgegeben werden. Bei der Bestellung sind stets die folgenden Angaben zu machen:

- **Typ, Modell und Serien-Nummer des Geräts.** Diese Daten stehen auf dem Typenschild, mit dem jedes Gerät versehen ist.

- **Artikel Nr. der erforderlichen Ersatzteile.** Diese stehen im Ersatzteil-Katalog.

- **Beschreibung des Ersatzteils und die erforderliche Stückzahl.**

- **Tafelnummer.**

- **Versandmittel.** Wenn dieser Punkt nicht spezifiziert wird, haftet die Herstellerfirma nicht für etwaigen Lieferverzug aufgrund höherer Gewalt, auch wenn er diesen Service besonders aufmerksam abwickelt.

Die Frachtkosten gehen dagegen immer zu Lasten des Empfängers. Die Ware reist auf Gefahr und Risiko des Auftraggebers, auch wenn frei Haus Verkauft vereinbart worden ist.

**N.B.:** Die Merkzeichen **(Dx) rechts** und **(Sx) links** betreffen eine rückwärtige Aussicht der Maschine oder Teile von ihr (siehe Bild). Ausnahmen werden gezeigt.

*Les ordres doivent être effectués auprès de nos concessionnaires de zone en précisant les indications suivantes:*

- **Type, modèle et numéro de série de la machine.** *Ces données sont gravées sur la plaque d'identification de chaque outil.*

- **Numéro de code de la pièce détachée** *indiqué sur le catalogue des pièces détachées.*

- **Description de la pièce et quantité requise.**

- **Numéro de plan.**

- **Moyen d'expédition.** *Si cette rubrique n'est pas indiquée, le Constructeur, bien que soucieux de ce service, ne répond pas des retards d'expédition pour des causes de force majeure.*

*Les frais de transport sont toujours à la charge du destinataire. La marchandise voyage aux risques et périls de l'acheteur même si vendue franco de port.*

**N.B.:** *Les références (Dx) droit et (Sx) gauche de la machine ou des parties de la même, est entendue, comme de la figure, en regardant la machine de derriere dans le sens de marche.*

Los pedidos han de efectuarse en nuestros concesionarios de zona y deben incluir siempre las siguientes indicaciones:

- **Tipo, modelo y número de matrícula del equipo.** Dichos datos están impresos en la relativa placa presente en el equipo.

- **Número de código de la parte requerida** presente en el catálogo respuestas.

- **Descripción de la pieza y cantidad requerida.**

- **Numero de ilustración.**

- **Medio de transporte.** En caso que este ítem no esté especificado, el Fabricante, aún prestando la debidas consideraciones para este aspecto, no responde por eventuales retardos de env'o debidos a causas de fuerza mayor.

Los gastos de transporte se consideran siempre a cargo del destinatario. La mercadería viaja bajo riesgo y peligro del comprador, incluso cuando se vende franco destino.

**N.B.:** La referencia **(Dx) derecha** o **(Sx) izquierda** de la máquina o de sus componentes, se entiende, como en la figura, mirando la máquina por la parte trasera. Se indicarán las excepciones.

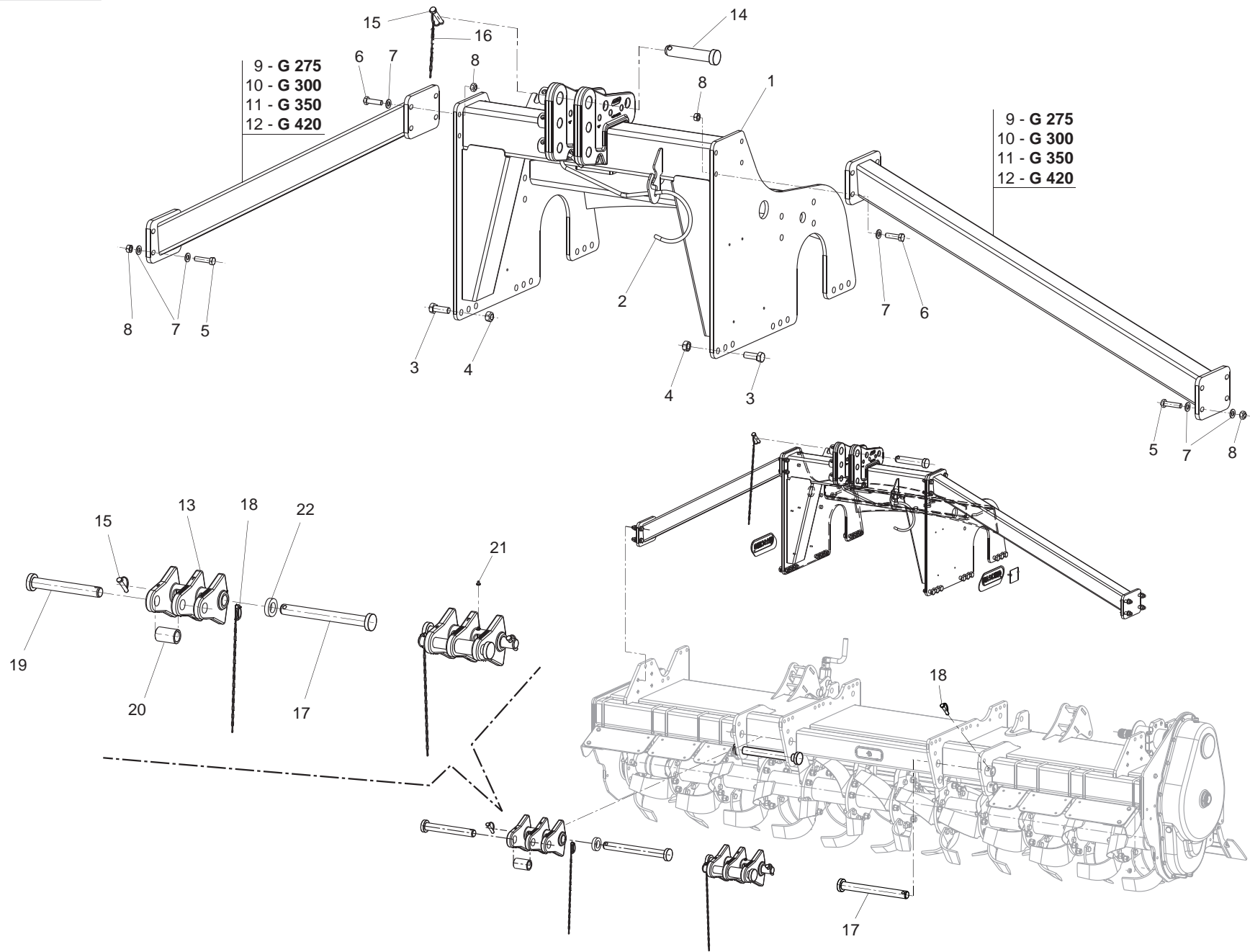
**INDICE**

<b>N° Tavola</b>	<b>Descrizione</b>	<b>Pagina</b>
TAV.010	Terzo punto .....	5
TAV.020	Telaio e slitte .....	7
TAV.030	Telaio e ancora centrale G420 .....	9
TAV.040	Trasmissione laterale e supporti rotore .....	11
TAV.050	Trasmissione laterale destra e supporti rotore G420 .....	13
TAV.060	Protezioni e trasmissione superiore .....	15
TAV.070	Cardani laterali e radiatore a elica .....	17
TAV.080	Riduttore centrale 258 R.P.M.....	19
TAV.090	Riduttore centrale 330 R.P.M.....	21
TAV.100	Lamiere livellatrici .....	23
TAV.110	Martinetto lamiera livellatrice .....	25
TAV.120	Rotore standard .....	27
TAV.130	Rotore condor e rinforzo lamiere .....	29
TAV.140	Protezioni "CE" .....	31
TAV.150	Adattatore per "USA" quick hitch .....	33
TAV.160	Regolazione idraulica rulli .....	35
TAV.170	Impianto idraulico .....	37
TAV.180	Anticlogging .....	39
TAV.190	Vomerino a disco e rompitraccia a "delta" optional .....	41
TAV.200	Rompitraccia optional .....	43
TAV.210	Ruote di profondita' optional .....	45
TAV.220	Kit supporti per trasporto stradale .....	47
TAV.230	Kit tabelle stradali G99600006 .....	49
TAV.240	Kit tabelle stradali G99600017 .....	51
TAV.250	Kit tabelle stradali G99600018 .....	53
TAV.260	Kit tabelle stradali G99600032 .....	55
TAV.270	Cardano F08011500.....	57
TAV.280	Cardano F08011954.....	59
TAV.290	Cardano F08012256.....	61
TAV.300	Cardano F08011955.....	63
TAV.310	Cardano F08011496.....	65
TAV.320	Tabella rulli.....	66

**INDEX**

<b>N° Table</b>	<b>Description</b>	<b>Page</b>
TAV.010	3Rd point.....	5
TAV.020	Frame and skids.....	7
TAV.030	Frame and central eradicator G420.....	9
TAV.040	Side transmission and rotor supports .....	11
TAV.050	Right side transmission and rotor supports G420 .....	13
TAV.060	Protections and upper transmission.....	15
TAV.070	Side cardan shafts and fan cooler.....	17
TAV.080	Central gearbox 258 r.P.M.....	19
TAV.090	Central gearbox 330 r.P.M.....	21
TAV.100	Leveling plates.....	23
TAV.110	Leveling plates mechanical adjuster.....	25
TAV.120	Standard rotor.....	27
TAV.130	Condor rotor and double skin frame.....	29
TAV.140	"EC" protections .....	31
TAV.150	Adapter for "USA" quick hitch.....	33
TAV.160	Roller hydraulic adjustment.....	35
TAV.170	Hydraulic plant.....	37
TAV.180	Anticlogging.....	39
TAV.190	Optional side disc and "delta" track eradicator.....	41
TAV.200	Optional track eradicators.....	43
TAV.210	Optional depth wheels.....	45
TAV.220	Road transport supports kit .....	47
TAV.230	Road transport kit G99600006 .....	49
TAV.240	Road transport kit G99600017 .....	51
TAV.250	Road transport kit G99600018 .....	53
TAV.260	Road transport kit G99600032 .....	55
TAV.270	F08011500 cardan shaft.....	57
TAV.280	F08011954 cardan shaft.....	59
TAV.290	F08012256 cardan shaft.....	61
TAV.300	F08011955 cardan shaft.....	63
TAV.310	F08011496 cardan shaft.....	65
TAV.320	Roller table .....	66

# TAV.010



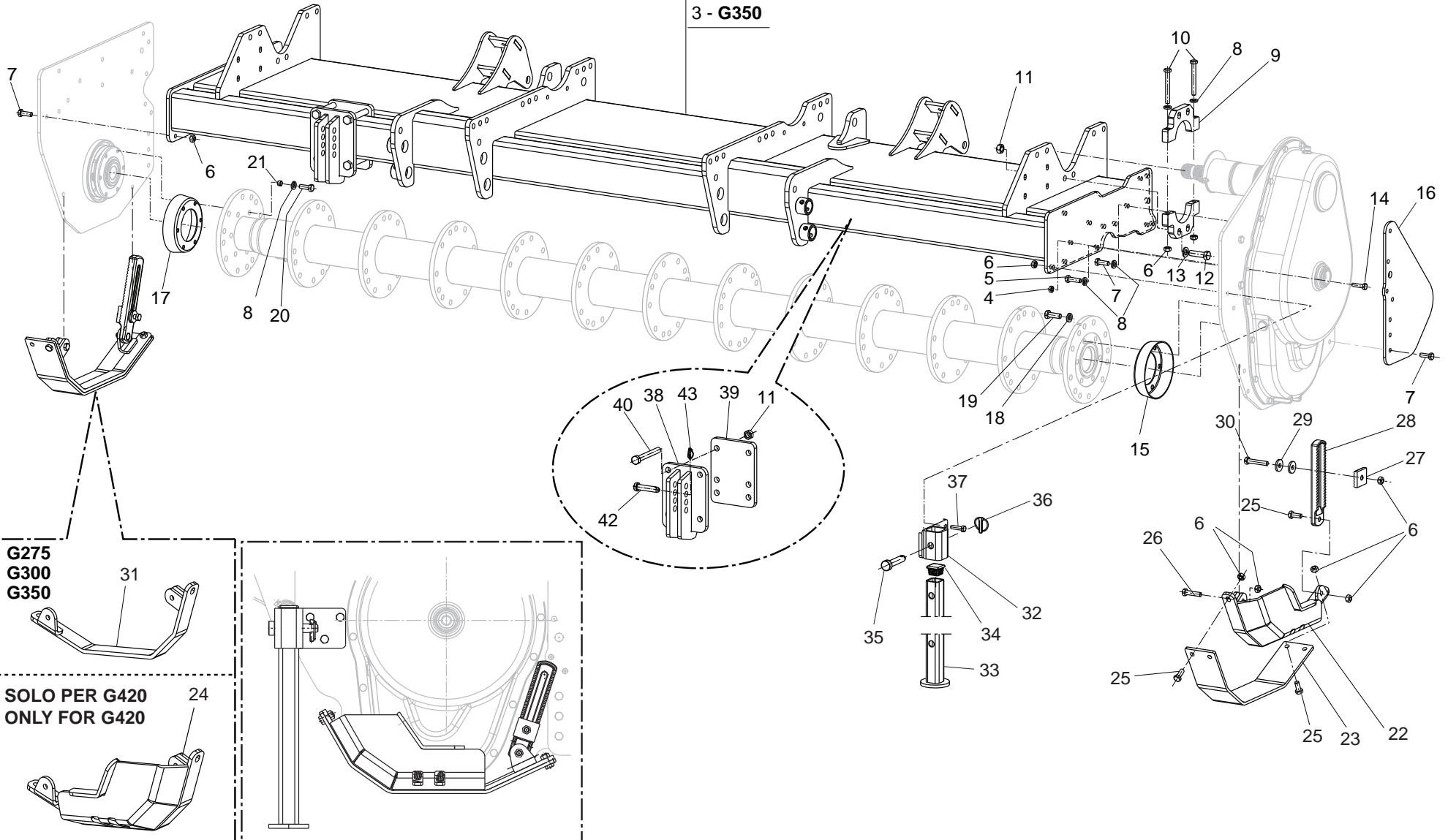
**TERZO PUNTO  
3RD POINT**

**TAV.010**

Pos.	Cod.	Descrizione	Description	Benennung	Description	Description
1	M41700530	CASTELLO 3° PUNTO	THREE POINT HITCH			
2	F20120400	GANCIO SOSTEGNO CARDANO	SHAFT HOOK SUPPORT	SUPPORT CARDAN	GELENKWELLE - HACKEN	SOPORTE CARDAN
3	F01010341	VITE M16X1,5X45 U5740 8.8ZN	SCR. M16X1,5X45 U5740 8.8ZN	VIS M16X1,5 X45 U5740 8.8 ZN	SCHR.M16X1,5 X45 U5740 8.8 ZN	TORN.M16X1,5 X45 U5740 8.8 ZN
4	F01220070	DADO M16X1,5 D980 10ZN	NUT M16X1,5 D980 8ZN	ECRO.M16X1,5 D980 8ZN	MUTTER M16X1,5 D980 8ZN	TUER.M16X1,5 D980 8ZN
5	F01010055	VITE M12X1,25X50 U5738 8.8ZN	SCR. M12X1,25X50 U5738 8.8ZN	VIS M12X1,25X50 U5738 8.8 ZN	SCHRA.M12X1,25X50 U5738 8.8 ZN	TORN. M12X1,25X50 U5738 8.8 ZN
6	F01010053	VITE M12X1,25X45 U5738 8.8ZN	SCR. M12X1,25X45 U5738 8.8ZN	VIS M 12X1,25X45	SCHRAUBE M 12X1,25X45	TORNILLO M 12X1,25X45
7	F01410076	ROS.M12 13X 24X2,5 U6592 ZN >	WASHER 12 13X 24X2,5 U6592 ZN	RONDEL. M12 13X24X2,5 U6592 ZN	SCHEIBE M12 13X24X2,5 U6592 ZN	ARANDELA M12 13 X24X2,5 ZN
8	F01220047	DADO M12X1,25 D980 8ZN	NUT M12X1,25 D980 8ZN	ECROU M12X1,25 D980 8 ZN	MUTTER M12X1,25 D980 8 ZN	TUERCA M12X1,25 D980 8 ZN
9	M41727541	COLLEGAMENTO 3°PUNTO	CONNECTION THREE POINT HITCH			
10	M41730541	COLLEGAMENTO 3°PUNTO	CONNECTION THREE POINT HITCH			
11	M41735541	COLLEGAMENTO 3°PUNTO	CONNECTION THREE POINT HITCH			
12	M41742541	COLLEGAMENTO 3°PUNTO	CONNECTION THREE POINT HITCH			
13	M37400520	ATTACCO BARRE 3° 4° CAT	STIRRUP	ATTELAGE BARRE	SCHUTZHOLM VERBINDUNG	ATAQUE BARRA
14	F20100124	PERNO D32 L135 C40 TEST.D45 Z>	BOLT D32 L135 C40 ZN	BOULON D32 L135 C40 ZN	BOLZEN D32 L135 C40 ZN	PERNO D32 L135 C40 ZN
15	F02200529	SPINA SCATTO D.11 H58 ZN >	SNAP PIN D.11 H58 ZN	FICHE A DETENTE D.11 H58 ZN	EINRASTSTIFT D.11 H58 ZN	CLAVIJA DE MUELLE D.11 H58 ZN
16	M58100930	CATENELLA L=476	ASSEMBLY CHAIN DMP L=476	CHAINE L=476	KETTE L=476	CADENA L=476
17	F20100150	PERNO D36 L328 C43 TEST.D60 ZN	PIN			
18	F02200584	SPINA SICUR.D.12X70 ZN	PIN D12 L70 ZN	FICHE D12 L70 ZN	STIFT D12 L70 ZN	CLAVIJA D12 L70 ZN
19	F20100149	PERNO D36 L248 C43 TEST.D60 ZN	PIN			
20	M12400757	DISTANZ. D=50 D=36,5 L=76 ZN	SPACER 50X36,5X76	ENTRETOISE 50X36,5X76	DISTANZSTUECK 50X36,5X76	DISTANCIADOR 50X36,5X76
21	F01100048	ING.M 8X1,25 7663A 9SMNPB28 Z>	GREASE NIPPLE M8X1,25 U7663A	GRAISSEUR A BILLES M8X1,25	SCHMIERBUECHSE M8X1,25 7663A	ENGRAS. DE ESFERAS M8 X 1,25 A
22	M37400533	BOCCOLA DISTANZIALE	BUSH SPACER			

**TAV.020**

- 1 - G275
- 2 - G300
- 3 - G350



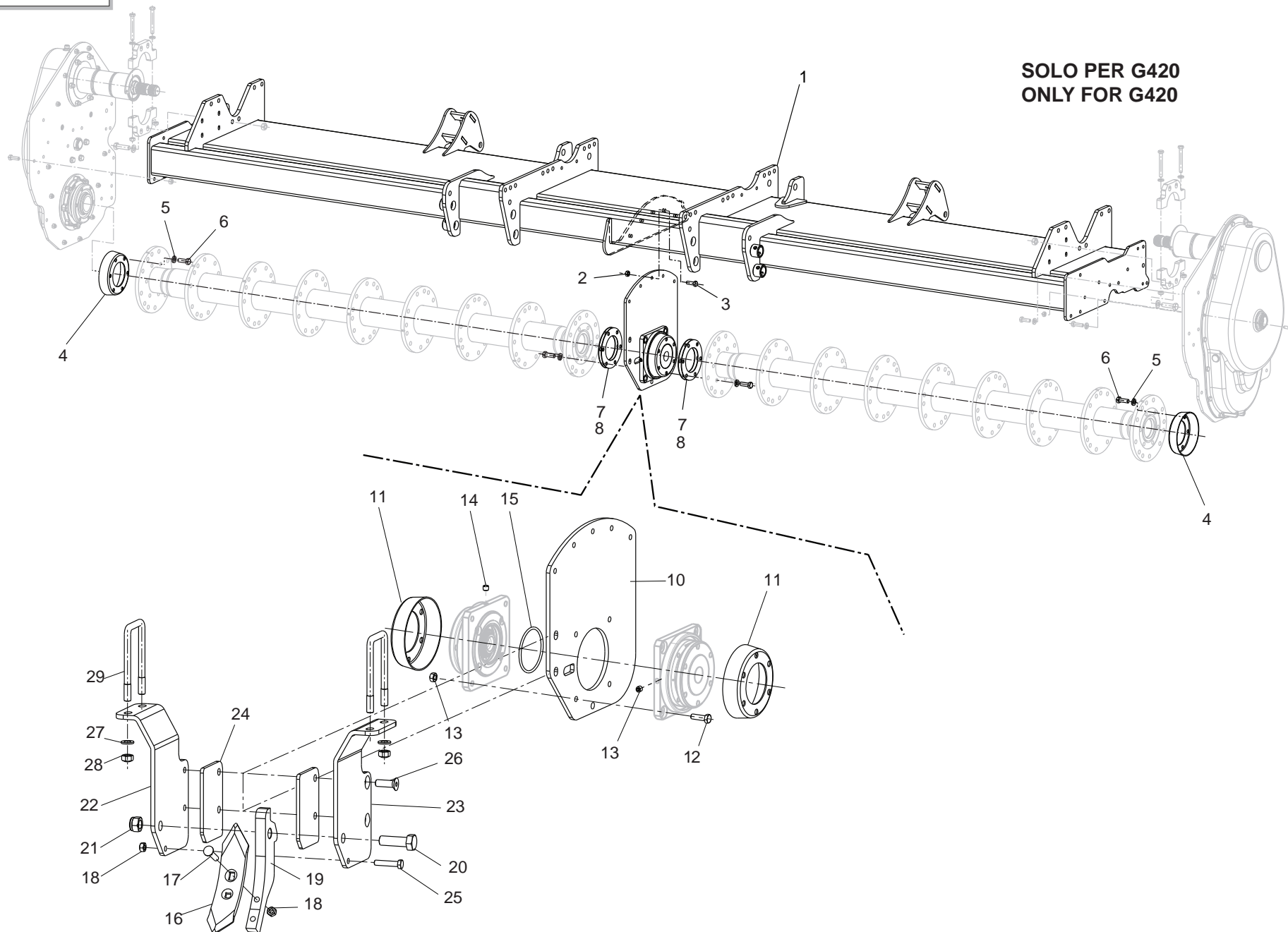
**TELAIO E SLITTE  
FRAME AND SKIDS**

**TAV.020**

Pos.	Cod.	Descrizione	Description	Benennung	Description	Description
1	M41727500	COMP.TELAIO MOD.275	FRAME MOD. L=275			
2	M41730500	COMP.TELAIO MOD.300	FRAME MOD. L=300			
3	M41735500	COMP.TELAIO MOD.350	FRAME MOD. L=350			
4	F01220034	DADO M10X1,25 D980 8ZN	NUT M10X1,25 D980 8ZN	ECRO.M10X1,25 D980 8 ZB	MUTT.M10X1,25 D980 8 ZB	TUER.M10X1,25 D980 8 ZB
5	F01010052	VITE M12X1,25X40 U5738 8.8 DL	SCR. M12X1,25X40 U5738 8.8DL	VIS M 12X1,25X40	SCHRAUBE M 12X1,25X40	TORNILLO M 12X1,25X40
6	F01220047	DADO M12X1,25 D980 8ZN	NUT M12X1,25 D980 8ZN	ECROU M12X1,25 D980 8 ZN	MUTTER M12X1,25 D980 8 ZN	TUERCA M12X1,25 D980 8 ZN
7	F01010288	VITE M12X1,25X35 U5740 8.8ZN	SCR. M12X1,25X35 U5740 8.8ZN	VIS M12X1,25X35 U5740 8.8 ZN	SCHR.M12X1,25X35 U5740 8.8 ZN	TORN.M12X1,25X35 U5740 8.8 ZN
8	F01480123	ROS.G 12,5X22,9X 4 FLZNNC-240H	WASHER M12 ZGP EXTRA P.	RONDELLE M12 ZGP EXTRA P.	UNTERLEGSCHIEBE M12 ZGP EXTRA	ARANDELA M12 ZGP EXTRA P.
9	M16700226	SUPPORTO	SUPPORT			
10	F01010064	VITE M12X1,25X100 U5738 8.8ZN	SCR. M12X1,25X100 U5738 8.8ZN	VIS M 12X1,25X100	SCHRAUBE M 12X1,25X100	TORNILLO M 12X1,25X100
11	F01220070	DADO M16X1,5 D980 10ZN	NUT M16X1,5 D980 8ZN	ECRO.M16X1,5 D980 8ZN	MUTTER M16X1,5 D980 8ZN	TUER.M16X1,5 D980 8ZN
12	F01010115	VITE M16X1,5X55 U5738 8.8ZN	SCR. M16X1,5X55 U5738 8.8ZN	VIS M16X1,5 X55 U5738 8.8ZN	SCHRAU. M16X1,5X55 U5738 8.8ZN	TORN. M16X1,5X55 U5738 8,8ZN
13	F01410100	ROS.M16 17X 30X 3 U6592 ZN >	WASHER M16 17X30X3 U6592 ZN	RONDELLE M16 17X30X3 U6592 ZN	SCHRAUBE M16 17X 30X3 U6592 ZN	ARANDELA M16 17X30X 3 U6592 ZN
14	F01010256	VITE M10X1,25X40 U5740 8.8ZN >	SCR. M10X1,25X40 U5740 8.8ZN			
15	M13100414	COPRIPOLVERE GRANDE	DUST COVER	PARA-POUSSIERE	STAUBDECKEL	PARAPOLVO
16	M16700630	PROTEZIONE LATERALE	LATERAL PROTECTION			
17	M01110411	COPRIPOLVERE GRANDE	EXTERIOR DUST COVER	PARA-POUSSIERE	STAUBDECKEL	PARAPOLVO
18	F01480134	ROS.G 15X26,5X4,5 FLZNNC-240H	GROWER 15X26,5X4,5 EX.C70 ZN	RONDELLE GROWER 15X26,5X4,5	SCHIEBE GROWER 15X26,5X4,5	ARANDELA GROWER 15X26,5X4,5
19	F20110032	VITE M14X1,5 X 40 SPEC 10.9 ZD	BOLT M14X1,5X40 10.9	VIS M 14X1,5X40	SCHRAUBE M 14X1,5X40	TORNILLO M 14X1,5X40
20	F20110021	VITE M12X1,25X35F.18 ZP SPEC.	BOLT M12X1,25X35F.18 ZP SPEC	VIS M12X1,25X35F.18 ZP SPEC	SCHRAUBE M12X1,25X35F.18 ZP SP	TORNILLO M12X1,25X35F.18 ZP SP
21	M37100403	BOCCOLA PER VITE	BOLT BUSHING	BOUCLE	BUECHSE	ARANDELA
22	M41700588	SLITTA SX	LEFT SKID WELDED			
23	M41700591	PIATTO LARGO	LARGE SKIDSTANZIALE			
24	M41700587	SLITTA DX DT	RIGHT SKID WELDED DT			
25	F01010283	VITE M12X1,25X30 U5740 8.8ZN	SCR. M12X1,25X30 U5740 8.8ZN	VIS M 12X1,25X30	SCHRAUBE M 12X1,25X30	TORNILLO M 12X1,25X30
26	F01010055	VITE M12X1,25X50 U5738 8.8ZN	SCR. M12X1,25X50 U5738 8.8ZN	VIS M12X1,25X50 U5738 8.8 ZN	SCHRA.M12X1,25X50 U5738 8.8 ZN	TORN. M12X1,25X50 U5738 8.8 ZN
27	M01110532	PIASTRINA REGISTRO SLITTE	ADJUSTER TOOTHED PLATE	PLAQUETTE DE REGISTRE GLISSIER	REGULIERUNGSPLATTE	PLAQUITA REGISTRO TRINEO
28	M64400520	REGISTRO SLITTA	ADJUSTMENT	REGLAGE	REGULIERUNG	REGISTRO
29	F01500011	ROS. 13 X35X5 D6340 C50 ZN	WASHER D. 12	RONDELLE D.12	SCHIEBE D.12	ARANDELA D.12
30	F01010058	VITE M12X1,25X65 U5738 8.8ZN	SCR. M12X1,25X65 U5738 8.8ZN	VIS M 12X1,25X65	SCHRAUBE M 12X1,25X65	TORNILLO M 12X1,25X65
31	M41700586	SLITTA DX	RIGHT SKID WELDED			
32	M41700580	SUPPORTO PIEDINO	FEET SUPPORTOSTERIORE	SUPPORT FRAISE	FRASE STANDER	SOPORTE FRESADORA
33	M12400590	PIEDINO L=550	SUPPORT	BOUCHON	DECKEL	CORCHO
34	F20120349	PUNTALE Q.50 ALETT.POLIT.NERO>	CAP	GOUJON D.22	BOLZEN D.22	PERNO D.22
35	F20100049	PERNO D22 L86 C43 TEST.D35 ZN>	BOLT D22 L86 C43 ZN	FICHE A DETENTE D.11 H58 ZN	EINRASTSTIFT D.11 H58 ZN	CLAVIJA DE MUELLE D.11 H58 ZN
36	F02200529	SPINA SCATTO D.11 H58 ZN >	SNAP PIN D.11 H58 ZN	VIS M12X1,25X45 U5740 8.8ZN	SCHRA.M12X1,25X45 U5740 8.8ZN	TORN. M12X1,25X45 U5740 8.8ZN
37	F01010292	VITE M12X1,25X45 U5740 8.8ZN >	BOLT M12X1,25X45 U5740 8.8ZN			
38	M41700544	SUPPORTO FISSAG. ROMPISTRACCIA	ERADICATOR SUPPORTMISSIONE	PLAQUE DE BLOCAGE	SPERRPLATTE	PLACA BLOQUEO
39	M33100598	PIASTRA	PLATE	VIS M 16X1,5X130 U5738 8.8 ZN	SCHRAU.M16X1,5X130 U5738 8.8ZN	TORN. M16X1,5X130 U5738 8.8ZN
40	F01010128	VITE M16X1,5X130 U5738 8.8ZN	SCR. M16X1,5X130 U5738 8.8ZN			
42	F20100021	PERNO D16 L70 C40 TEST.D25 ZN	PIN D16 L70 C40 TEST.D25 ZN			
43	F02200452	SPINA SCATTO D.4,4 B/80 ZN >	SNAP PIN D4.4 B/80 ZN	FICHE A DETENTE D4.4 B/80 ZN	EINRASTSTIFT D4.4 B/80 ZN	CLAVIJA DE MUELLE D4,4 B/80 ZN

**TAV.030**

**SOLO PER G420  
ONLY FOR G420**



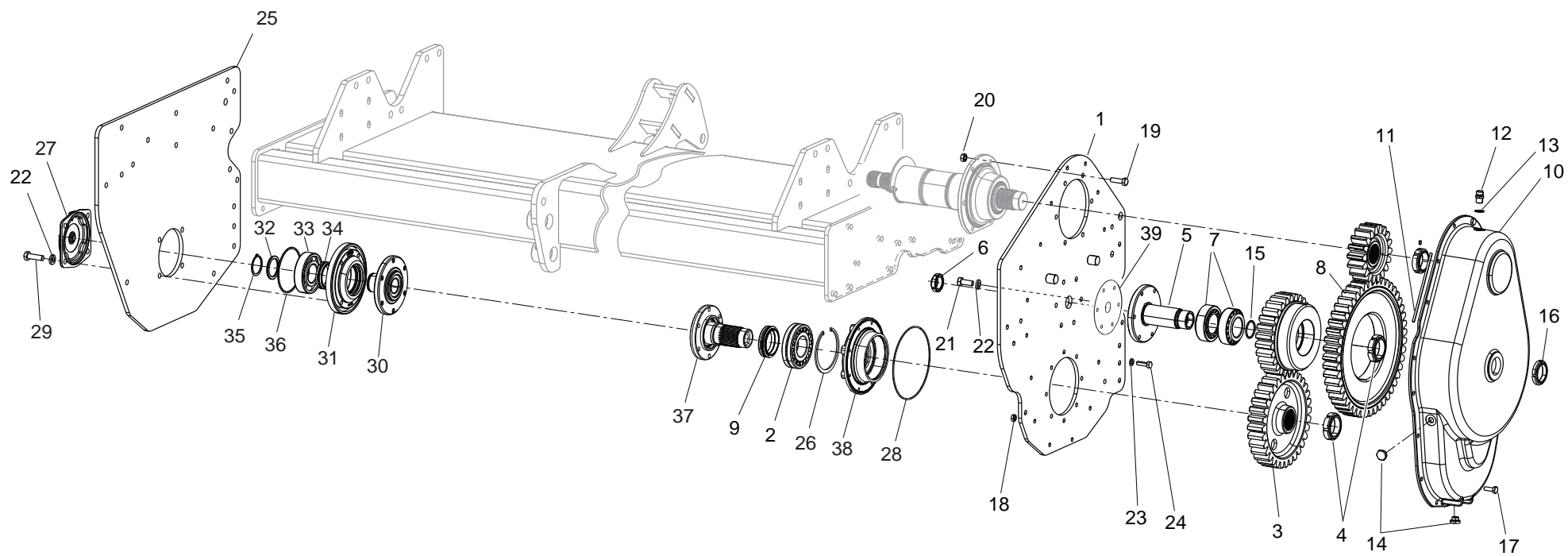


**TELAIO E ANCORA CENTRALE G420  
FRAME AND CENTRAL ERADICATOR G420**

**TAV.030**

Pos.	Cod.	Descrizione	Description	Benennung	Description	Description
1	M41742545	COMP.TELAIO MOD.420	FRAME MOD. L=420			
2	F01220047	DADO M12X1,25 D980 8ZN	NUT M12X1,25 D980 8ZN	ECROU M12X1,25 D980 8 ZN	MUTTER M12X1,25 D980 8 ZN	TUERCA M12X1,25 D980 8 ZN
3	F01010288	VITE M12X1,25X35 U5740 8.8ZN	SCR. M12X1,25X35 U5740 8.8ZN	VIS M12X1,25X35 U5740 8.8 ZN	SCHR.M12X1,25X35 U5740 8.8 ZN	TORN.M12X1,25X35 U5740 8.8 ZN
4	M13100414	COPRIPOLVERE GRANDE	DUST COVER	PARA-POUSSIERE	STAUBDECKEL	PARAPOLVO
5	F01480134	ROS.G 15X26,5X4,5 FLZNNC-240H	GROWER 15X26,5X4,5 EX.C70 ZN	RONDELLE GROWER 15X26,5X4,5	SCHIEBE GROWER 15X26,5X4,5	ARANDELA GROWER 15X26,5X4,5
6	F20110032	VITE M14X1,5 X 40 SPEC 10.9 ZD	BOLT M14X1,5X40 10.9	VIS M 14X1,5X40	SCHRAUBE M 14X1,5X40	TORNILLO M 14X1,5X40
7	M41700476	DISTANZIALE MOZZO SP.2MM	ROTOR HUB SPACER TH. 2 MM			
8	M41700475	DISTANZIALE MOZZO SP.1MM	ROTOR HUB SPACER TH. 1 MM			
10	M41700472	FIANCATA CENTRALE	CENTRAL PLATESTERNO			
11	M13100414	COPRIPOLVERE GRANDE	DUST COVER	PARA-POUSSIERE	STAUBDECKEL	PARAPOLVO
12	F01010291	VITE M12X1,25X40 U5740 8.8ZN	SCR. M12X1,25X40 U5740 8.8ZN	VIS M12X1,25X40 U5740 8.8 ZN	SCHR.M12X1,25X40 U5740 8.8 ZN	TORN. M12X1,25X40 U5740 8.8 ZN
13	F01220047	DADO M12X1,25 D980 8ZN	NUT M12X1,25 D980 8ZN	ECROU M12X1,25 D980 8 ZN	MUTTER M12X1,25 D980 8 ZN	TUERCA M12X1,25 D980 8 ZN
14	F03150652	TAPPO CONICO CON ES.INC. 1/4"	HEXAGONAL PLUG 1/4"	BOUCHON CONIQUE 1/4"	KONISCHER VERSCHLUSS 1/4"	CIERRE CONICO 1/4"
15	F03010690	ANEL. OR 100X5,34 NBR	O RING			
16	F20120009	VOMERINO	PLOWSHARE			
17	F01030117	KIT V.M12X1,75X60 U6104 8.8ZN	KIT M12X1,75X60	VIS M12X1,75X60	SCHRAUBE M12X1,75X60	TORNILLO M12X1,75X60
18	F01220048	DADO M12X1,75 D980 8ZN	NUT M12X1,75 D980 8ZN	ECROU M12X1,75 D980 8 ZN	SCHEIBE M12X1,75 D980 8 ZN	TUERCA M12X1,75 D980 8 ZN
19	M35400624	ROMPITRACCIA LATERALE	LATERAL WHEEL TRACK ERADICATOR			
20	F01010398	VITE M22X1,5X70 U5740 8.8ZN	SCR. M22X1,5X70 U5740 8.8ZN	VIS M22X1,5X 70 U5740 8.8 ZB	SCHR.M22X1,5X 70 U5740 8.8 ZB	TORN.M22X1,5X 70 U5740 8.8 ZB
21	F01230269	DADO M22X1,5 D985 CL8 ZN >	NUT M22X1,5 D985 6S ZN	ECROU AUTOBL.M22X1,5 D985 6SZN	SELBST.MUTT.M22X1,5 D985 6S ZN	DADO AUTOBL.M22X1,5 D985 6S ZN
22	M41700573	STAFFA DX	RIGHT CLAMP			
23	M41700574	STAFFA SX	LEFT CLAMPSTERIORE			
24	M41700563	DISTANZIALE INTERNO	INTERNAL SPACERO CARTER			
25	F01020160	VITE M12X1,75X60 U5737 8.8ZN>	SCR. M12X1,75X60 U5737 8.8ZN	VIS M12X1,75X60 U5737 8.8 ZN	SCHRA.M12X1,75X60 U5737 8.8 ZN	TORN. M12X1,75X60 U5737 8.8 ZN
26	F01030150	VITE M16X2X50 U5933 10.9ZN >	SCR. M16X2X50 U5933 10.9ZN	VIS M16X2 X50	SCHRAUBE M16X2 X50	TORNILLO M16X2 X50
27	F01410100	ROS.M16 17X 30X 3 U6592 ZN >	WASHER M16 17X30X3 U6592 ZN	RONDELLE M16 17X30X3 U6592 ZN	SCHRAUBE M16 17X 30X3 U6592 ZN	ARANDELA M16 17X30X 3 U6592 ZN
28	F01220266	DADO M16X2 D980 8ZN	NUT M16X2 D980 8ZN	ECROU M16X 2 D980 8 ZN	MUTTER M16X 2 D980 8 ZN	TUERCA M16X 2 D980 8 ZN
29	F20110796	CAV.R.B=80 H=140M=16X2 L=165	U BOLT F20110796R L=165			

# TAV.040



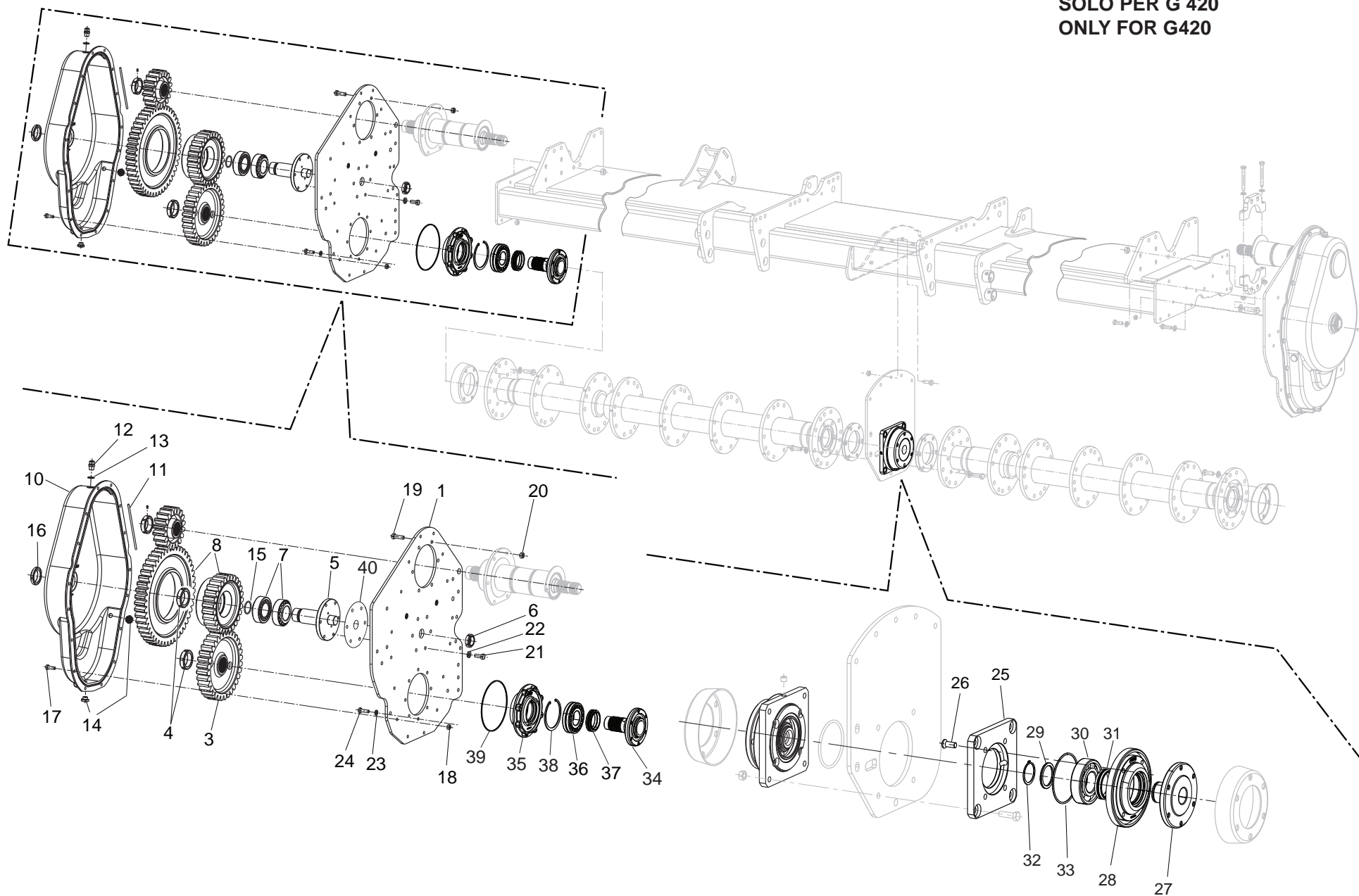
**TRASMISSIONE LATERALE E SUPPORTI ROTORE  
SIDE TRANSMISSION AND ROTOR SUPPORTS**

**TAV.040**

Pos.	Cod.	Descrizione	Description	Benennung	Description	Description
1	M41700547	FIANCATA LATO TRASMISSIONE	TRANSMISSION SIDE PANELONE DX			
2	F04010264	CUSC.D60 D130 B31 21312	BEARING D60 D130 B31 21312	ROULEMENT 21312	LAGER 21312	COJINETE 21312
3	M16700315	RUOTA DENTATA INF. Z 32 BOMB	LOWER GEAR Z=32 SFERICAL			
4	F02010166	GHIERA AU.GUP M55X 2 T.4H ZN	SELF LOCKING NUT M55X2 T.4H ZB	COLLIER AUTOB. M55X2 T.4H ZB	SELBSTSP. NUTMUTTER M55X2 T.4H	VIROLA AUTOBLOC M55X2 T.4H ZB
5	M09400303	MOZZO RUOTA OZIOSA	PIN ROTOR ROLLER	GOUJON ROTOR ROULEAU	ROTORBOLZEN WALZE	PERNO ROTOR RODILLO
6	F02010122	GHIERA AU.GUP M35X1,5 T.4H ZN>	SELF LOCKING NUT M35X1,5	COLLIER AUTOBL. M35X1,5	SELBSTSP. NUTMUTTER M35X1,5	VIROLA AUTOBL. M35X1,5
7	F04050086	CUSC.D55 D100 T35 33211	BEARING D55 D100 T35 33211	ROULEMENT D55 D100 T35 33211	LAGER D55 D100 T35 33211	COJINETE D55 D100 T35 33211
8	M16700312	RUOTA DENTATA M=8 Z=27-47 BOMB	GEAR M=8 Z=27 SFERICAL			
9	F03010879	ANELLO ANFIBIO 5850 GNL	WATER-PROOF OIL SEAL 5850	WATER-PROOF PARE-HUILE 5850	WATER-PROOF OELABDICHTUNG 5850	WATER-PROOF PARA-ACEITE 5850
10	M16700301	CARTER TRASMISSIONE LATERALE	LATERAL TRANSM. CARTER			
11	F03011158	GUARNIZIONE IN SILICONE D=6	GASKET D=6	JOINT D=6	DICHTUNG D=6	JUNTA D=6
12	M29100717	TAPPO SFIATO	OIL BREATHER PLUG	BOUCHON DE SOUPIRAIL	ENTLUEFTERPFROPFEN	TAPON RESPIRADERO
13	M26100321	GUARNIZ.D=26 D=18 S=1,5 ALLUM.	GASKET	JOINT	DICHTUNG	JUNTA
14	F03150631	TAPPO CON MAGNETE M18X1,5	COVER	COUVERCLE	DECKEL	TAPA
15	F03010533	ANELLO OR 42,86X3,53 NBR	GASKET OR 42,86X3,53 NBR	BAGUE OR	RING OR	ANILLO OR
16	F02010056	GHIERA AU.GUK M50X1,5 T.4H ZN>	SELF LOCKING NUT M50X1,5	COLLIER AUTOBL. M50X1,5	SELBSTSP. NUTMUTTER M50X1,5	VIROLA AUTOBL. M50X1,5
17	F01010250	VITE M10X1,25X30 U5740 8.8ZN >	SCR. M10X1,25X30 U5740 8.8ZN	VIS M10X1,25X30 U5740 8.8 ZB	SCHR.M10X1,25X30 U5740 8.8 ZB	TORN.M10X1,25X30 U5740 8.8 ZB
18	F01220034	DADO M10X1,25 D980 8ZN	NUT M10X1,25 D980 8ZN	ECRO.M10X1,25 D980 8 ZB	MUTT.M10X1,25 D980 8 ZB	TUER.M10X1,25 D980 8 ZB
19	F01010052	VITE M12X1,25X40 U5738 8.8 DL	SCR. M12X1,25X40 U5738 8.8DL	VIS M 12X1,25X40	SCHRAUBE M 12X1,25X40	TORNILLO M 12X1,25X40
20	F01220047	DADO M12X1,25 D980 8ZN	NUT M12X1,25 D980 8ZN	ECROU M12X1,25 D980 8 ZN	MUTTER M12X1,25 D980 8 ZN	TUERCA M12X1,25 D980 8 ZN
21	F01010285	VITE M12X1,25X30 U5740 8.8DL	SCR. M12X1,25X30 U5740 8.8DL	VIS M 12X1,25X30	SCHRAUBE M 12X1,25X30	TORNILLO M 12X1,25X30
22	F01480123	ROS.G 12,5X22,9X 4 FLZNNC-240H	WASHER M12 ZGP EXTRA P.	RONDELLE M12 ZGP EXTRA P.	UNTERLEGSCHIEBE M12 ZGP EXTRA	ARANDELA M12 ZGP EXTRA P.
23	F01480112	ROS.G 10,5X19X 3 FLZNNC - 240H	GROWER WASHER D.10	RONDELLE GROWER D.10	SCHIEBE GROWER D.10	ARANDELA GROWER D.10
24	F20110012	VITE M10X1,25X 35 5738 10.9 PL	BOLT M 10X1,25X35	VIS M 10X1,25X35	SCHRAUBE M 10X1,25X35	TORNILLO M 10X1,25X35
25	M41700501	FIANCATA LATO ESTERNO	EXTERNAL SIDE PANEL RULLO INT.			
26	F02050515	ANELLO E. DI130X 4 U7437 C70	SEEGER RING D.130	BAGUE SEEGER D.130	SEEGERRING D.130	ANILLO SEEGER D.130
27	M16700415	AS.COPERCHIO SUPPORTO L.E.GNL	ASS. EXTERNAL SIDE COVER GNLE			
28	F03010900	ANELLO OR 209.14X3.53 DI. NBR	GASKET OR 209.14X3.53 DI. NBR	BAGUE OR 209.14X3.53 DI. NBR	RING OR 209.14X3.53 DI.	ANILLO OR 209.14X3.53 DI. NBR
29	F01010291	VITE M12X1,25X40 U5740 8.8ZN	SCR. M12X1,25X40 U5740 8.8ZN	VIS M12X1,25X40 U5740 8.8 ZN	SCHR.M12X1,25X40 U5740 8.8 ZN	TORN. M12X1,25X40 U5740 8.8 ZN
30	M56400405	MOZZO ROT.L.ESTERNO	OUTER SIDE ROTOR HUB			
31	M53400403	SUPP. CUSC L.E. GNL	ROTOR SUPPORT SIDE PANEL	SUPPORT ROTOR PARTIE LATERALE	ROTORHALTER SEITENWAND	SOPORTE ROTOR FLANCO
32	M01110416	ANELLO RINF.MOZ.R.50X63,5X3,8	SEEGER STIFFENER RING	ANNEAU DE RENFORCEMENT SEEGER	SEEGERRING	ANILLO REFUEZO SEEGER
33	F04010226	CUSC.D50 D110 B27 6310	BEARING D50 D110 B27 6310	ROULEMENT 6310	LAGER 6310	COJINETE 6310
34	F03010861	ANELLO ANFIBIO 0440 GNL	WATER-PROOF OIL SEAL 0440	WATER-PROOF PARE-HUILE 0440	WATER-PROOF OELABDICHTUNG 0440	WATER-PROOF PARA-ACEITE 0440
35	F02050203	ANELLO E. DE 50X 2 U7435 C70	SEEGER RING D50X2 U7435 C70	ANEL SEEGER D50X2 U7435 C70	SEEGER RING D50X2 U7435 C70	ANILLO SEEGER D50X2 U7435 C70
36	F03010720	ANELLO OR 117,07X3,53 NBR	GASKET OR 4462	JOINT 4462	DICHTUNG DOWTY 4462	ANILLO OR 117,07X3,53 NBR
37	M74100419	MOZZO LATO TRASMISSIONE	DRIVE SIDE HUB	MOYEU ROTOR COTE EXTERIEUR	TRANSMISSIONSEITE ROTORNABE	CUBO ROTOR LADO TRASMISION
38	M56400404	SUPPORTO CUSC. ROTORE L.T. GNL	BEARING SUPP.TRASM.SIDE ROTOR			
39	M13100301	GUARN.MOZZO INGRAN.RINV.	GASKET	JOINT	DICHTUNG	JUNTA

**TAV.050**

**SOLO PER G 420  
ONLY FOR G420**

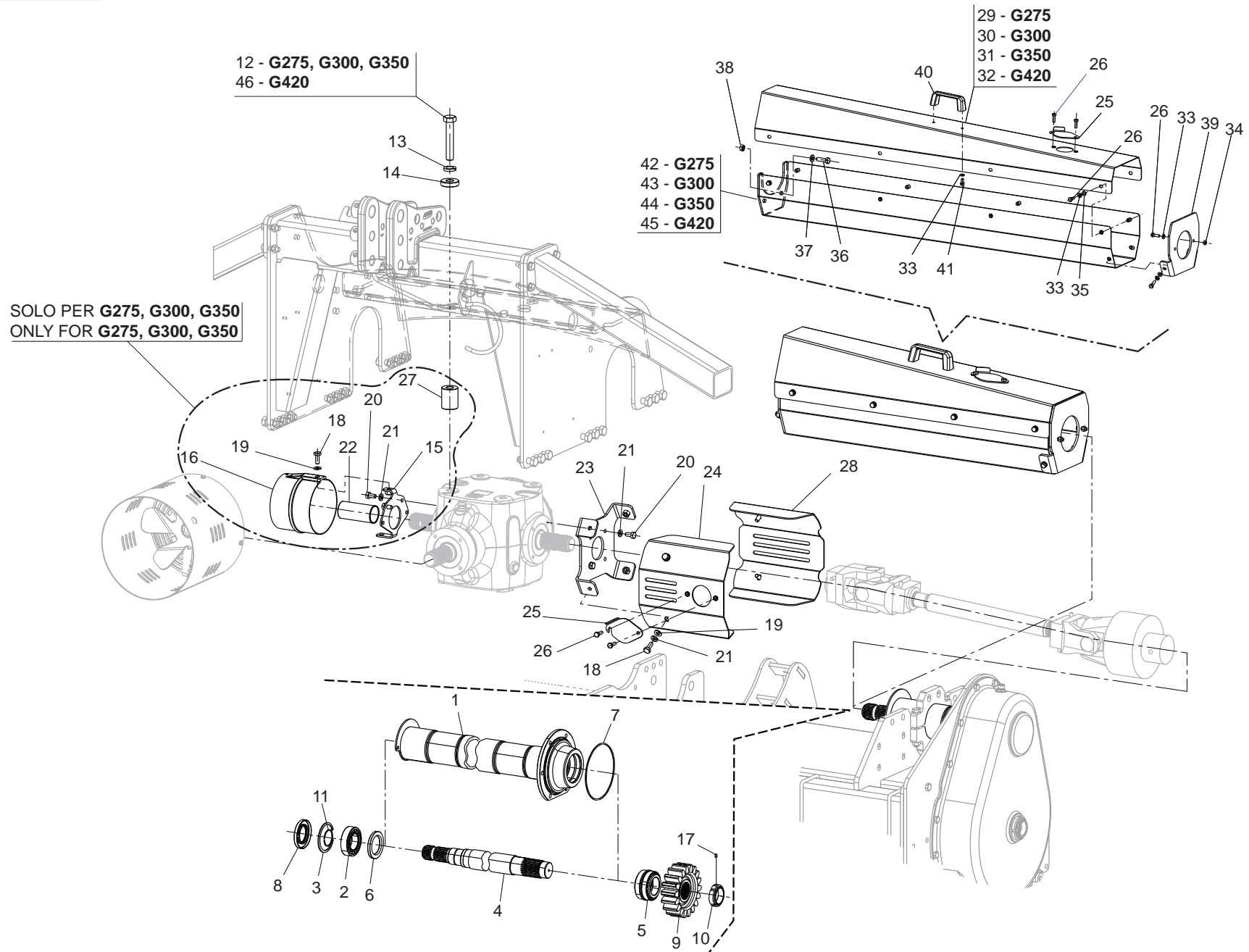


**TRASMISSIONE LATERALE DESTRA E SUPPORTI ROTORE G420  
RIGHT SIDE TRANSMISSION AND ROTOR SUPPORTS G420**

**TAV.050**

Pos.	Cod.	Descrizione	Description	Benennung	Description	Description
1	M41700548	FIANCATA LATO TRASMISSIONE DX	RIGHT TRANSMISSION SIDE PANEL			
3	M16700315	RUOTA DENTATA INF. Z 32 BOMB	LOWER GEAR Z=32 SFERICAL			
4	F02010166	GHIERA AU.GUP M55X 2 T.4H ZN	SELF LOCKING NUT M55X2 T.4H ZB	COLLIER AUTOB. M55X2 T.4H ZB	SELBSTSP. NUTMUTTER M55X2 T.4H	VIROLA AUTOBLOC M55X2 T.4H ZB
5	M09400303	MOZZO RUOTA OZIOSA	PIN ROTOR ROLLER	GOUJON ROTOR ROULEAU	ROTORBOLZEN WALZE	PERNO ROTOR RODILLO
6	F02010122	GHIERA AU.GUP M35X1,5 T.4H ZN>	SELF LOCKING NUT M35X1,5	COLLIER AUTOBL. M35X1,5	SELBSTSP. NUTMUTTER M35X1,5	VIROLA AUTOBL. M35X1,5
7	F04050086	CUSC.D55 D100 T35 33211	BEARING D55 D100 T35 33211	ROULEMENT D55 D100 T35 33211	LAGER D55 D100 T35 33211	COJINETE D55 D100 T35 33211
8	M16700312	RUOTA DENTATA M=8 Z=27-47 BOMB	GEAR M=8 Z=27 SFERICAL			
10	M16700301	CARTER TRASMISSIONE LATERALE	LATERAL TRANSM. CARTER			
11	F03011158	GUARNIZIONE IN SILICONE D=6	GASKET D=6	JOINT D=6	DICHTUNG D=6	JUNTA D=6
12	M29100717	TAPPO SFIATO	OIL BREATHER PLUG	BOUCHON DE SOUPIRAIL	ENTLUEFTERPFROPFEN	TAPON RESPIRADERO
13	M26100321	GUARNIZ.D=26 D=18 S=1,5 ALLUM.	GASKET	JOINT	DICHTUNG	JUNTA
14	F03150631	TAPPO CON MAGNETE M18X1,5	COVER	COUVERCLE	DECKEL	TAPA
15	F03010533	ANELLO OR 42,86X3,53 NBR	GASKET OR 42,86X3,53 NBR	BAGUE OR	RING OR	ANILLO OR
16	F02010056	GHIERA AU.GUK M50X1,5 T.4H ZN>	SELF LOCKING NUT M50X1,5	COLLIER AUTOBL. M50X1,5	SELBSTSP. NUTMUTTER M50X1,5	VIROLA AUTOBL. M50X1,5
17	F01010250	VITE M10X1,25X30 U5740 8.8ZN >	SCR. M10X1,25X30 U5740 8.8ZN	VIS M10X1,25X30 U5740 8.8 ZB	SCHR.M10X1,25X30 U5740 8.8 ZB	TORN.M10X1,25X30 U5740 8.8 ZB
18	F01220034	DADO M10X1,25 D980 8ZN	NUT M10X1,25 D980 8ZN	ECRO.M10X1,25 D980 8 ZB	MUTT.M10X1,25 D980 8 ZB	TUER.M10X1,25 D980 8 ZB
19	F01010052	VITE M12X1,25X40 U5738 8.8 DL	SCR. M12X1,25X40 U5738 8.8DL	VIS M 12X1,25X40	SCHRAUBE M 12X1,25X40	TORNILLO M 12X1,25X40
20	F01220047	DADO M12X1,25 D980 8ZN	NUT M12X1,25 D980 8ZN	ECROU M12X1,25 D980 8 ZN	MUTTER M12X1,25 D980 8 ZN	TUERCA M12X1,25 D980 8 ZN
21	F01010285	VITE M12X1,25X30 U5740 8.8DL	SCR. M12X1,25X30 U5740 8.8DL	VIS M 12X1,25X30	SCHRAUBE M 12X1,25X30	TORNILLO M 12X1,25X30
22	F01480123	ROS.G 12,5X22,9X 4 FLZNNC-240H	WASHER M12 ZGP EXTRA P.	RONDELLE M12 ZGP EXTRA P.	UNTERLEGSCHIEBE M12 ZGP EXTRA	ARANDELA M12 ZGP EXTRA P.
23	F01480112	ROS.G 10,5X19X 3 FLZNNC - 240H	GROWER WASHER D.10	RONDELLE GROWER D.10	SCHIEBE GROWER D.10	ARANDELA GROWER D.10
24	F20110012	VITE M10X1,25X 35 5738 10.9 PL	BOLT M 10X1,25X35	VIS M 10X1,25X35	SCHRAUBE M 10X1,25X35	TORNILLO M 10X1,25X35
25	M41700479	FLANGIA DI COLLEGAMENTO	FLANGE CONNECTION CENTRAL HUB			
26	M36200542	VIT.M12X1,25X 30 SPEC.10,9 BR	BOLT M 12X1,25X30	VIS M 12X1,25X30	SCHRAUBE M 12X1,25X30	TORNILLO M 12X1,25X30
27	M41700474	MOZZO ROT.L.ESTERNO	OUTER SIDE HUBZZO SP.1MM			
28	M53400403	SUPP. CUSC L.E. GNL	ROTOR SUPPORT SIDE PANEL	SUPPORT ROTOR PARTIE LATERALE	ROTORHALTER SEITENWAND	SOPORTE ROTOR FLANCO
29	M01110416	ANELLO RINF.MOZ.R.50X63,5X3,8	SEEGER STIFFENER RING	ANNEAU DE RENFORCEMENT SEEGER	SEEGERRING	ANILLO REFUERZO SEEGER
30	F04010226	CUSC.D50 D110 B27 6310	BEARING D50 D110 B27 6310	ROULEMENT 6310	LAGER 6310	COJINETE 6310
31	F03010861	ANELLO ANFIBIO 0440 GNL	WATER-PROOF OIL SEAL 0440	WATER-PROOF PARE-HUILE 0440	WATER-PROOF OELABDICHTUNG 0440	WATER-PROOF PARA-ACEITE 0440
32	F02050203	ANELLO E. DE 50X 2 U7435 C70	SEEGER RING D50X2 U7435 C70	ANEL SEEGER D50X2 U7435 C70	SEEGER RING D50X2 U7435 C70	ANILLO SEEGER D50X2 U7435 C70
33	F03010720	ANELLO OR 117,07X3,53 NBR	GASKET OR 4462	JOINT 4462	DICHTUNG DOWTY 4462	ANILLO OR 117,07X3,53 NBR
34	M74100419	MOZZO LATO TRASMISSIONE	DRIVE SIDE HUB	MOYEU ROTOR COTE EXTERIEUR	TRANSMISSIONSEITE ROTORNABE	CUBO ROTOR LADO TRASMISSION
35	M56400404	SUPPORTO CUSC. ROTORE L.T. GNL	BEARING SUPP.TRASM.SIDE ROTOR			
36	F04010264	CUSC.D60 D130 B31 21312	BEARING D60 D130 B31 21312	ROULEMENT 21312	LAGER 21312	COJINETE 21312
37	F03010879	ANELLO ANFIBIO 5850 GNL	WATER-PROOF OIL SEAL 5850	WATER-PROOF PARE-HUILE 5850	WATER-PROOF OELABDICHTUNG 5850	WATER-PROOF PARA-ACEITE 5850
38	F02050515	ANELLO E. DI130X 4 U7437 C70	SEEGER RING D.130	BAGUE SEEGER D.130	SEEGERRING D.130	ANILLO SEEGER D.130
39	F03010900	ANELLO OR 209.14X3.53 DI. NBR	GASKET OR 209.14X3.53 DI. NBR	BAGUE OR 209.14X3.53 DI. NBR	RING OR 209.14X3.53 DI.	ANILLO OR 209.14X3.53 DI. NBR
40	M13100301	GUARN.MOZZO INGRAN.RINV.	GASKET	JOINT	DICHTUNG	JUNTA

**TAV.060**



**PROTEZIONI E TRASMISSIONE SUPERIORE  
PROTECTIONS AND UPPER TRANSMISSION**

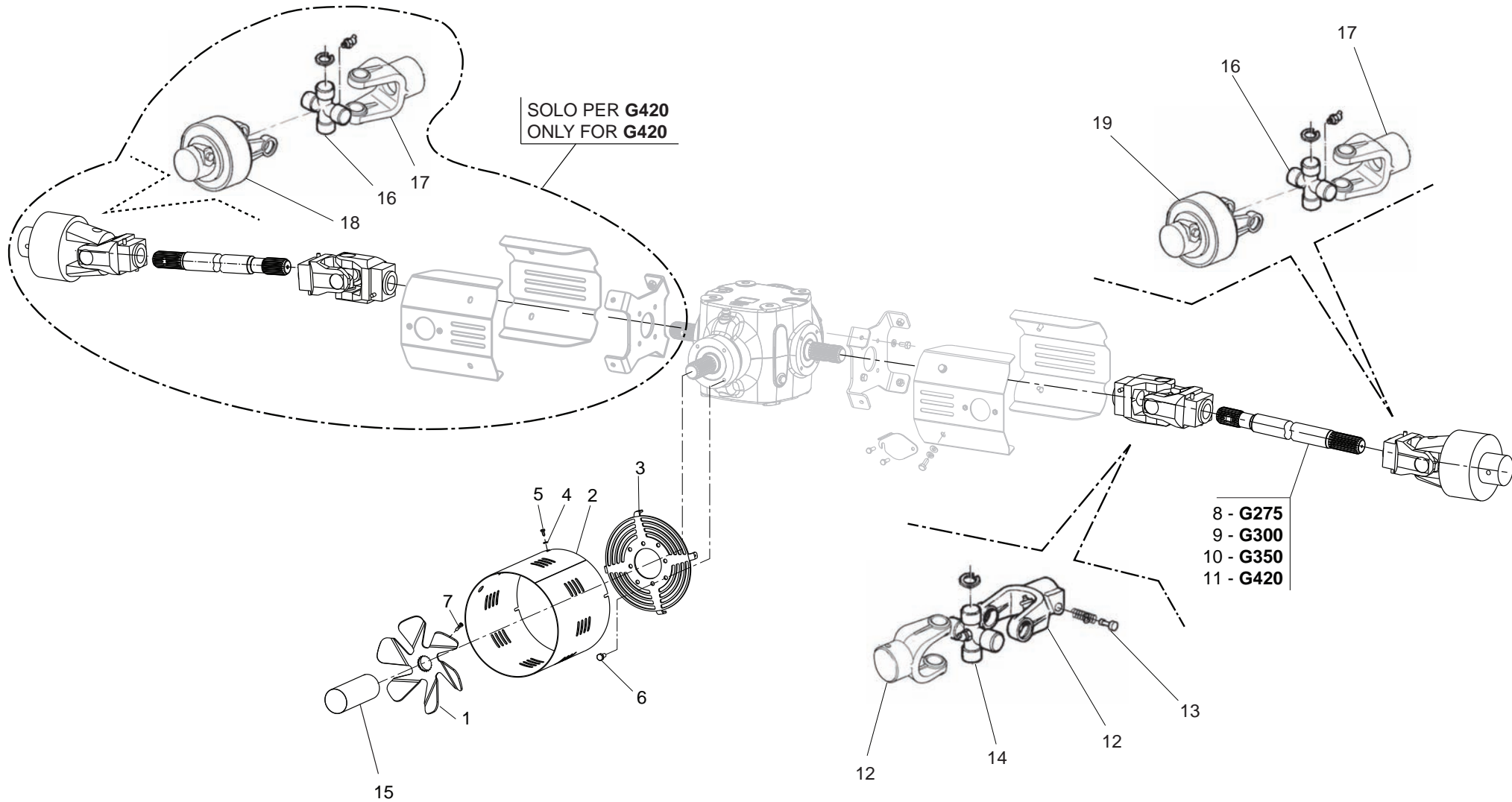
**TAV.060**

Pos.	Cod.	Descrizione	Description	Benennung	Description	Description
1	M16720204	DISTANZIALE LATO TRASMISSIONE	SPACER TRASM			
2	F04010050	CUSC.D50 D90 B23 2210 >	BEARING 2210	ROULEMENT 2210	LAGER 2210	COJINETE 2210
3	F02050447	ANELLO E. DI 90X 3 U7437 C70	SEEGER RING DI 90X3 U7437 C70	BAGUE SEEGER DI 90X3 U7437 C70	SEEGERRING DI 90X 3 U7437 C70	ANILLO SEEGER DI 90X3 U7437
4	M16720210	ALBERO DI TRASM. D=60 L=490,5	TRANSMISSION SHAFT			
5	M28100306	KIT CUSCINETTI C SUPER	BEARING SET	KIT ROULEMENT	LAGERSATZ	KIT COJINETE
6	F03010185	ANELLO T.A. 56X 85X 8 D3760NBR	OIL SEAL 56X85X8	PARE-HUILE 56X85X8	OELABDICHTUNG 56X85X8	PARA-ACEITE 56X85X8
7	F03010761	ANEL. OR 171,04X3,53 NBR	RING OR 171,04X3,53 NBR			
8	F03010164	ANELLO T.A. 50X 90X10 D3760VIT	OIL SEAL 50X90X10 D3760VIT	PARE-HUILE 50X90X10	OELABDICHTUNG 50X90X10	PARA-ACEITE 50X90X10
9	M16700311	RUOTA DENTATA SUP. Z 18 BOMB	UPPER GEAR Z=18 SFERICAL			
10	M24100130	GHIERA AUT.LATO E.ALB.TR.	SELF LOCKING NUT M50X1,5	COLLIER AUTOBL. M50X1,5	SELBSTSP. NUTMUTTER M50X1,5	VIROLA AUTOBL. M50X1,5
11	F02060200	ANELLO A 50 UNI 7433	RING 50			
12	F01010184	VITE M20X1,5X110 U5738 8.8ZN	SCR. M20X1,5X110 U5738 8.8ZN	VIS M 20X1,5X110	SCHRAUBE M 20X1,5X110	TORNILLO M 20X1,5X11
13	F01480167	ROS.G 21X34 X 6 FLZNNC-240H	GROWER WASHER D.18	RONDELLE GROWER D.18	SCHEIBE GROWER D.18	ARANDELA GROWER D.18
14	M12400119	DISTANZ. D=45 D=20,5 L=57 >	SPACER D=45 D=20,5 L=57	ENTRETOISE D=45 D=20,5 L=57	DISTANZSTUECK D=45 D=20,5 L=57	DISTANCIADOR D=45 D=20,5 L=57
15	M37400130	ATTACCO PROTEZ E SENSORE COMP	PROTECTION SUPPORT	SUPPORT PROTECTION	GELENKWELLENSCHUTZ HALTER	SOPORTE PROTECCION CARDANICO
16	M10100158	PROTEZIONE CARDANO POST.	CARDAN PROTECTION	PROTECTION CARDAN	GELENKWELLENSCHUTZ	PROTECCION CARDANICO
17	F01050086	VITE M6X1X10 U5927 12.9BR	SCR. M6X1X10 U5927 12.9BR	VIS M 6X10	SCHRAUBE M 6X10	TORNILLO M 6X10
18	F01010244	VITE M10X1,25X25 U5740 8.8ZN	SCR. M10X1,25X25 U5740 8.8ZN	VIS M 10X1,25X25	SCHRAUBE M 10X1,25X25	TORNILLO M 10X1,25X25
19	F01410064	ROS.M10 10,5X 20X 2 U6592 ZN >	WASHER M10 10,5X20X2 U6592 ZN	RONDEL. M10 10,5X20X2 U6592 ZN	SCHEIBE M10 10,5X20X2 U6592 ZN	ARANDEL.M10 10,5X20X2 U6592 ZN
20	F01020470	VITE M10X1,5X20 U5739 8.8ZN	SCR. M10X1,5X20 U5739 8.8ZN	VIS M10X1,5X20 U5739 8.8 ZN	SCHRAUBE M10X1,5X20 U5739 ZN	TORNILLO M10X1,5X20 U5739 8.8ZN
21	F01480112	ROS.G 10,5X19X 3 FLZNNC - 240H	GROWER WASHER D.10	RONDELLE GROWER D.10	SCHEIBE GROWER D.10	ARANDELA GROWER D.10
22	M38100147	MANICOTTO PROTEZIONE PDF 1"3/4	P.T.O. PROTECTION	MANCHON DE PROTECTION P.T.O.	ZAPFWELLENSCHUTZ P.T.O.	MANGUITO PROTECCION P.T.O.
23	M41700577	ATTACCO POSTERIORE	PROTECTION SUPPORT			
24	M41700579	PROTEZIONE INTERNA	INTERNAL PROTECTION			
25	M41700561	PIATTO DI CHIUSURA	LOCKING PLATE			
26	F01020440	VITE M8X1,25X25 U5739 8.8ZN >	SCR. M8X1,25X25 U5739 8.8ZN	VIS M8X1,25X25 U5739 8.8 ZN	SCHRAUBE M8X1,25X25U5739 8.8ZN	TORNIL.M8X1,25X25 U5739 8.8 ZN
27	M37400104	DISTANZIALE	SPACER	ENTRETOISE	DISTANZSTUECK	DISTANCIADOR
28	M41700582	PROTEZIONE POSTERIORE	REAR PROTECTION			
29	M41727566	CARTER PROTEZIONE GIUNTO	JOIN PROTECTION CARTERIORE			
30	M41730566	CARTER PROTEZIONE GIUNTO	JOIN PROTECTION CARTERIORE			
31	M41735566	CARTER PROTEZIONE GIUNTO	JOIN PROTECTION CARTERIORE			
32	M41742566	CARTER PROTEZIONE GIUNTO	JOIN PROTECTION CARTERIORE			
33	F01480099	ROS.G 8,4X14,4X2,7 FLZNNC-240H	GROWER WASHER D.8	RONDELLE GROWER D.8	SCHEIBE GROWER D.8	ARANDELA GROWER D.8
34	F01220022	DADO M8X1,25 D980 8ZN	NUT M8X1,25 D980 8ZN	ECROU M8X 1,25 D980 8 ZN	MUTTER M8X 1,25 D980 8 ZN	TUERCA M8X 1,25 D980 8 ZN
35	F01410051	ROS.M8 8,4X 17X1,6 U6592 ZN >	WASHER M8 8,4X17X1,6 U6592 ZN	RONDELLE M8 8,4X17X1,6 U6592ZN	SCHEIBE M8 8,4X17X1,6 U6592 ZN	ARANDELA M8 8,4X17X1,6 U6592ZN
36	F01010291	VITE M12X1,25X40 U5740 8.8ZN	SCR. M12X1,25X40 U5740 8.8ZN	VIS M12X1,25X40 U5740 8.8 ZN	SCHR.M12X1,25X40 U5740 8.8 ZN	TORN. M12X1,25X40 U5740 8.8 ZN
37	F01480123	ROS.G 12,5X22,9X 4 FLZNNC-240H	WASHER M12 ZGP EXTRA P.	RONDELLE M12 ZGP EXTRA P.	UNTERLEGSCHIEBE M12 ZGP EXTRA P.	ARANDELA M12 ZGP EXTRA P.
38	F01220047	DADO M12X1,25 D980 8ZN	NUT M12X1,25 D980 8ZN	ECROU M12X1,25 D980 8 ZN	MUTTER M12X1,25 D980 8 ZN	TUERCA M12X1,25 D980 8 ZN
39	M41700571	STAFFA FISSAGGIO CARTER	COVER FIXTING CLAMP			
40	F05150112	MANIGLIA INTERAS. 117 FORO 8MM	HANDLE	POIGNEE	HANDGRIFF	MANILLA
41	F01020432	VITE M8X1,25X16 U5739 8.8ZN >	SCR. M8X1,25X16 U5739 8.8ZN	VIS M8 X1,25X16 U5739 8.8 ZN	SCHRAUBE M8X1,25X16U5739 8.8ZN	TORNILLO M8X1,25X16U5739 8.8ZN
42	M41727568	PROTEZIONE CARTER INFERIORE	LOWER CARTER SAFETYI-CLOGGING			
43	M41730568	PROTEZIONE CARTER INFERIORE	LOWER CARTER SAFETYI-CLOGGING			
44	M41735568	PROTEZIONE CARTER INFERIORE	LOWER CARTER SAFETYI-CLOGGING			
45	M41742568	PROTEZIONE CARTER INFERIORE	LOWER CARTER SAFETY5 L=65 ZN			
46	F01010384	VITE M20X1,5X60 U5740 8.8ZN	SCR. M20X1,5X60 U5740 8.8ZN	VIS M20X1,5X60	SCHRAUBE M20X1,5X60	TORNILLO M20X1,5X60

**TAV.070**

SOLO PER G420  
ONLY FOR G420

- 8 - G275
- 9 - G300
- 10 - G350
- 11 - G420





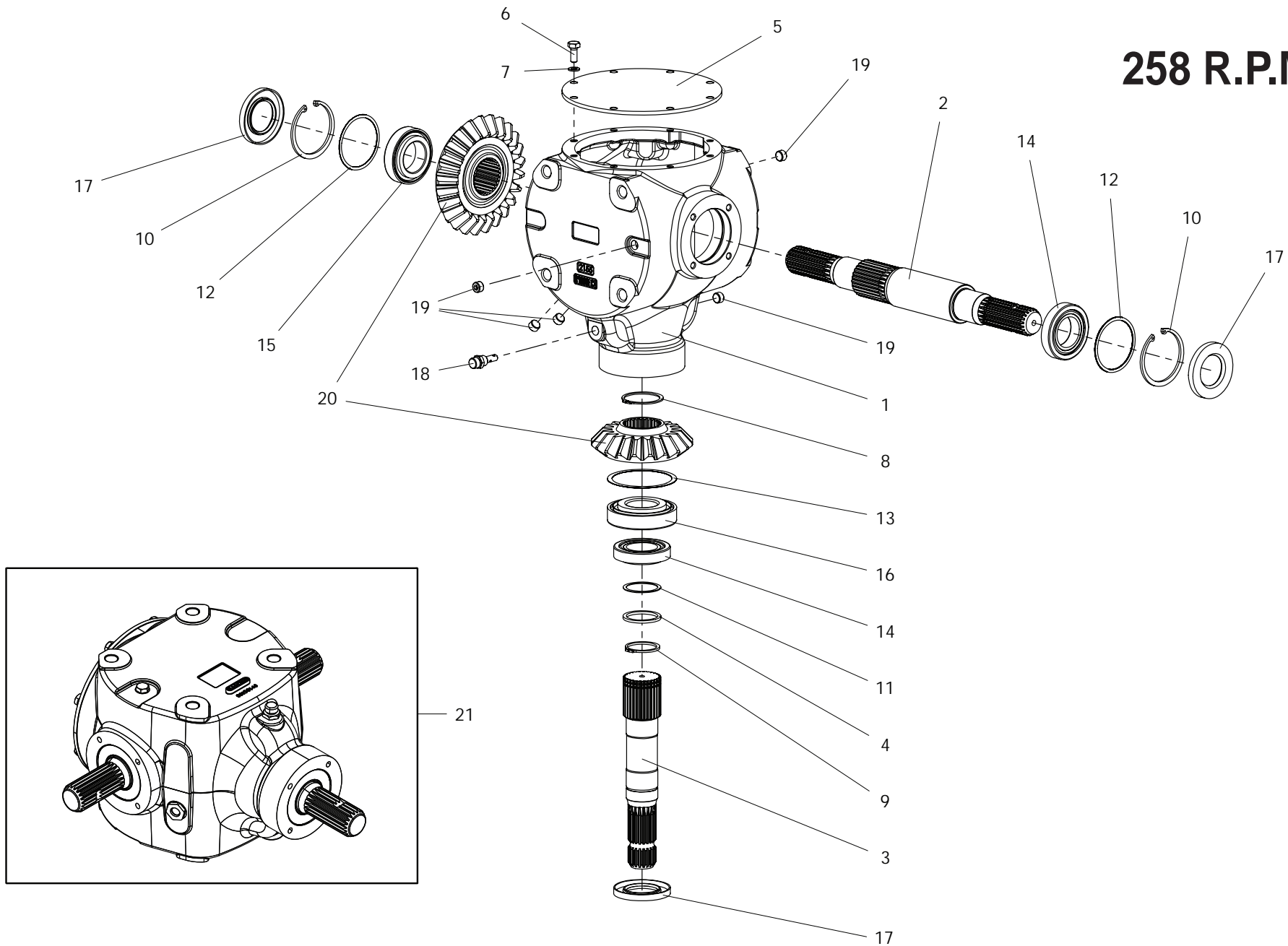
**CARDANI LATERALI E RADIATORE A ELICA  
SIDE CARDAN SHAFTS AND FAN COOLER**

**TAV.070**

Pos.	Cod.	Descrizione	Description	Benennung	Description	Description
1	M51400194	ELICA	FAN			
2	M51400178	PROTEZIONE VENTOLA	FAN PROTECTION RING			
3	M51400179	PIATTO ATTACCO PROTEZ.VENTOLA	PLATE FAN PROTECTION SUPP.			
4	F01410037	ROS.M6 6,4X12,5X1,6 U6592 ZN>	WASHER M6 6,4X12,5X1,6 U6592ZN	RONDEL.M6 6,4X12,5X1,6 U6592ZN	SCHEIB.M6 6,4X12,5X1,6 U6592ZN	ARAND.M6 6,4X12,5X1,6 U6592 ZN
5	F01020398	VITE M6X1X12 U5739 8.8ZN	SCR. M6X1X12 U5739 8.8ZN	VIS M6X 1X12 U5739 8.8 ZN	SCHRAUBE M6X 1X12 U5739 8.8 ZN	TORNILLO M6X 1X12 U5739 8.8 ZN
6	F01020470	VITE M10X1,5X20 U5739 8.8ZN	SCR. M10X1,5X20 U5739 8.8ZN	VIS M10X1,5X20 U5739 8.8 ZN	SCHRAUBE M10X1,5X20 U5739 ZN	TORNILLOM10X1,5X20 U5739 8.8ZN
7	F01040063	VITE M6X1X20 U5931 8.8ZN	SCR. M6X1X20 U5931 8.8ZN	VIS M 6	SCHRAUBE M 6	TORNILLO M 6
8	M41727201	ALBERO DI TRASMISS. D=50 L=407	TRANSMISSION SHAFT D=50 L=407			
9	M41730201	ALBERO DI TRASMISS. D=50 L=582	TRANSMISSION SHAFT D=50 L=582			
10	M41735201	ALBERO DI TRASMISS. D=50 L=832	TRANSMISSION SHAFT D=50 L=832			
11	M41742201	ALBERO DI TRASMISS. D=50 L=1159	TRANSMISSION SHAFT D=50 L=1159			
12	F06160048	FORC.S9 1 3/4Z20 P.ECC.L.M.	FORK.S9 1 3/4Z20 P.ECC.L.M.			
13	F08013061	KIT PERN.CON.BO 3/4Z6 E Z20	KIT TAPER PINS 3/4Z6 EZ20			
14	F08000200	4120M0012R20 BON.CROCERA 106	4120M0012R20 BON.CROCERA 106.			
15	M38100147	MANICOTTO PROTEZIONE PDF 1"3/4	P.T.O. PROTECTION	MANCHON DE PROTECTION P.T.O.	ZAPFWELLENSCHUTZ P.T.O.	MANGUITO PROTECCION P.T.O.
16	F06160044	ASS.CROC.INGR.SU CUSC.SFTS	ASS.CROS.INGR.UP BEAR.SFTS			
17	F06160045	FORC.S9 1 3/4Z20 P.ECC.L.M.	FORK S9 1 3/4Z20 P.ECC.L.M.			
18	F06160047	LR35/S9 3500NM 1 3/4Z20PE.SIM.	LR35/S9.3500NM.1 3/4Z20PE.SIM.			
19	F06160046	LR35/S9 3500NM SX1-3/4Z20 SIMM	LR35/S9.3500NM.SX1-3/4Z20.SIMM			

**TAV.090**

**258 R.P.M.**



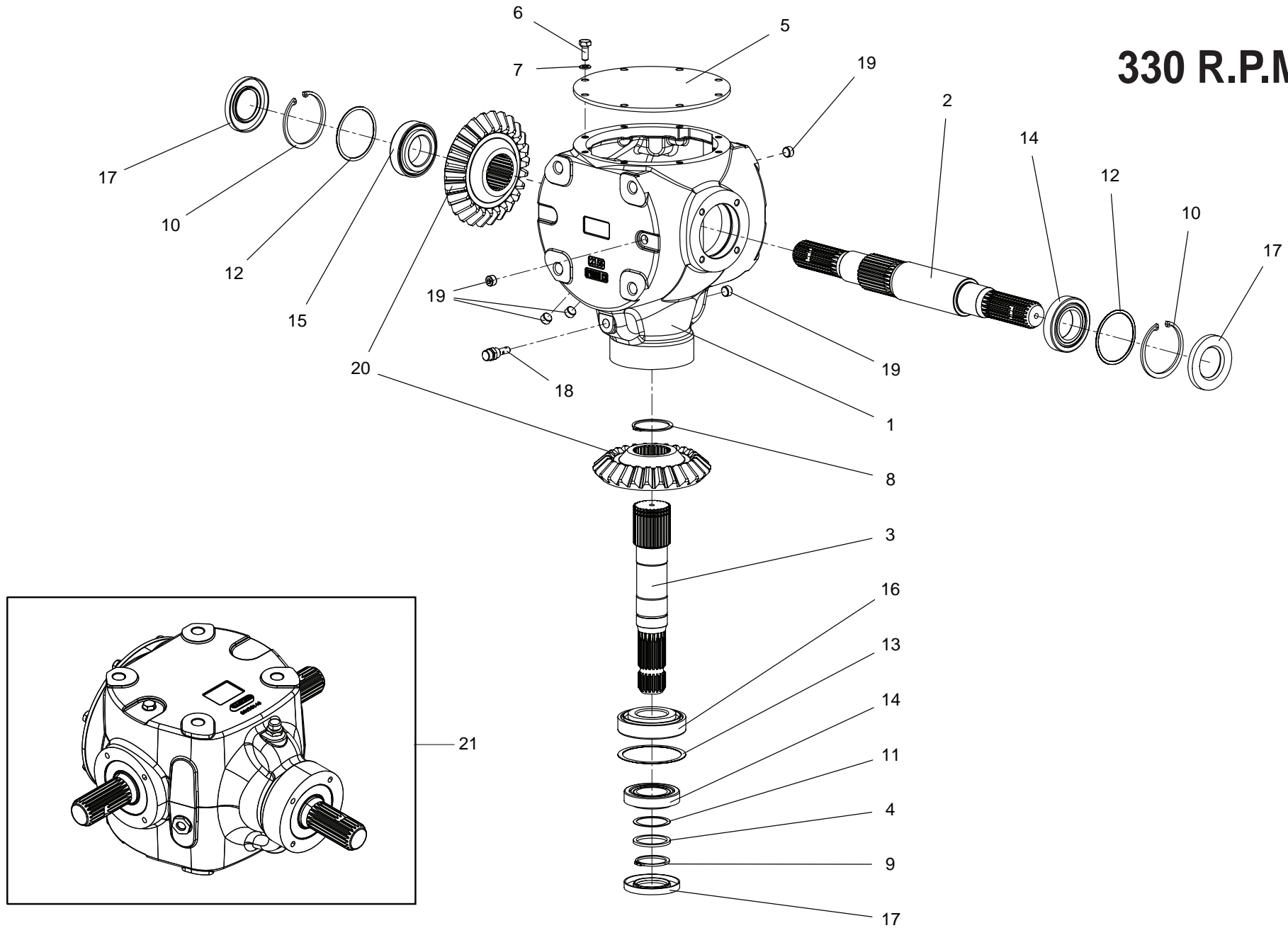
**RIDUTTORE CENTRALE 258 R.P.M.  
CENTRAL GEARBOX 258 R.P.M**

**TAV.090**

Pos.	Cod.	Descrizione	Description	Benennung	Description	Description
1	M30500221	SCATOLA 2155 G25	GEAR BOX 2155 G25			
2	M30500288	ALB 2155 XY MONT. >	SHAFT 2155 XY MONT.			
3	M30500289	ALBERO Z X 2155 >	SHAFT Z X 2155			
4	M30500290	DISTANZ. D50,1 >	SPACER D50,1			
5	M30500225	298625400 COPERCHIO C 2150	COVER C 2150			
6	F01020474	VITE M10X1,5X25 U5739 8.8BR	SCR. M10X1,5X25 U5739 8.8BR	VIS M 10X25	SCHRAUBE M 10X25	TORNILLO M 10X25
7	M58100012	335010001-ROS.EL.10.2X18.1X1.8	WASHER	RONDELLE	SCHEIBE	ARANDELA
8	F02050226	ANELLO E. DE 60X 2 U7435 C70	SEEGER RING E. 60X2 DIN 471/1	SEEGER E. 60X2 DIN 471/1	SEEGERING EL.E. 60X2 DIN471/1	ANILLO E. 60X2 DIN471/1
9	F02050581	ANELLO E. DI 50X 3 U7436 C70	COMPRESSION RING D.50	ANNEAU RESSORT D.50	RING D.50	ANILLO D.50
10	F02050559	ANELLO E. DI 90X 4 U7438 C70	COMPRESSION RING D.90	ANNEAU RESSORT D.90	RING D.90	ANILLO D.90
11	M58100009	340E05000-ANELLI SPESS.050 >	SPACER	ENTRETOISE	DISTANZSTUECK	DISTANCIADOR
12	M30500216	340I09000 ANELLI SPES. I.090>				
13	M58100013	ANELLI SPESS.I.110	SPACER	ENTRETOISE	DISTANZSTUECK	DISTANCIADOR
14	F04050019	CUSC.D50 D90 T21,75 30210	BEARING D50 D90 T21,75 30210	ROULEMENT 30210	LAGER 30210	COJINETE 30210
15	F04050080	CUSC.D50 D90 T24,75 32210 >	BEARING D50 D90 T24,75 32210	ROULEMENT D50 D90 T24,75 322	LAGER D50 D90 T24,75 32210	COJINETE D50 D90 T24,75 3221
16	F04050042	CUSC.D50 D110 T29,25 30310	BEARING 30310	ROULEMENT 30310	LAGER 30310	COJINETE 30310
17	F03010164	ANELLO T.A. 50X 90X10 D3760VIT	OIL SEAL 50X90X10 D3760VIT	PARE-HUILE 50X90X10	OELABDICHTUNG 50X90X10	PARA-ACEITE 50X90X10
18	F03151875	TAPPO 3/8 GAS SFIATO VALV.L35	OIL OUTLET PLUG 3/8			
19	M30500168	TAPPO 3/8 GAS CIL.G	GAS BREATHER PLUG 3/8"	BOUCHON D'HUILE SOUPIRAIL	OELENTLUEFTERSTOPFEN	TAPON ACEITE
20	M30500291	COPPIA CONICA R.2150 >	BEVEL GEAR PAIR R.2150			
21	M41700102	RINVIO 3U.S2155R1,25:1 1000RPM	MOLTIPLICATOR R1,25:1 1000RPM			

**TAV.080**

**330 R.P.M.**



**RIDUTTORE CENTRALE 330 R.P.M.  
CENTRAL GEARBOX 330 R.P.M**

**TAV.080**

Pos.	Cod.	Descrizione	Description	Benennung	Description	Description
1	M30500221	SCATOLA 2155 G25	GEAR BOX 2155 G25			
2	M30500288	ALB 2155 XY MONT.	SHAFT 2155 XY MONT.			
3	M30500289	ALBERO Z X 2155 >	SHAFT Z X 2155			
4	M30500290	DISTANZ. D50,1 >	SPACER D50,1			
5	M30500225	298625400 COPERCHIO C 2150	COVER C 2150			
6	F01020474	VITE M10X1,5X25 U5739 8.8BR	SCR. M10X1,5X25 U5739 8.8BR	VIS M 10X25	SCHRAUBE M 10X25	TORNILLO M 10X25
7	M58100012	335010001-ROS.EL.10.2X18.1X1.8	WASHER	RONDELLE	SCHEIBE	ARANDELA
8	F02050226	ANELLO E. DE 60X 2 U7435 C70	SEEGER RING E. 60X2 DIN 471/1	SEEGER E. 60X2 DIN 471/1	SEEGERING EL.E. 60X2 DIN471/1	ANILLO E. 60X2 DIN471/1
9	F02050581	ANELLO E. DI 50X 3 U7436 C70	COMPRESSION RING D.50	ANNEAU RESSORT D.50	RING D.50	ANILLO D.50
10	F02050559	ANELLO E. DI 90X 4 U7438 C70	COMPRESSION RING D.90	ANNEAU RESSORT D.90	RING D.90	ANILLO D.90
11	M58100009	340E05000-ANELLI SPESS.050 >	SPACER	ENTRETOISE	DISTANZSTUECK	DISTANCIADOR
12	M30500216	340I09000-ANELLI SPES. 1.090>	SPACER			
13	M58100013	ANELLI SPESS.1.110	SPACER	ENTRETOISE	DISTANZSTUECK	DISTANCIADOR
14	F04050019	CUSC.D50 D90 T21,75 30210	BEARING D50 D90 T21,75 30210	ROULEMENT 30210	LAGER 30210	COJINETE 30210
15	F04050080	CUSC.D50 D90 T24,75 32210 >	BEARING D50 D90 T24,75 32210	ROULEMENT D50 D90 T24,75 322	LAGER D50 D90 T24,75 32210	COJINETE D50 D90 T24,75 3221
16	F04050042	CUSC.D50 D110 T29,25 30310	BEARING 30310	ROULEMENT 30310	LAGER 30310	COJINETE 30310
17	F03010164	ANELLO T.A. 50X 90X10 D3760VIT	OIL SEAL 50X90X10 D3760VIT	PARE-HUILE 50X90X10	OELABDICHTUNG 50X90X10	PARA-ACEITE 50X90X10
18	F03151875	TAPPO 3/8 GAS SFIATO VALV.L35	OIL OUTLET PLUG 3/8			
19	M30500168	TAPPO 3/8 GAS CIL.G	GAS BREATHER PLUG 3/8"	BOUCHON D'HUILE SOUPIRAIL	OELENTLUEFTERSTOPFEN	TAPON ACEITE
20	M30500292	COPPIA CONICA R.2155 >	BEVEL GEAR PAIR R.2155			
21	M41700101	RINVIO A3U.S2155R1:1 1000RPM	MULTIPLICATOR R1:1 1000RPM			

# TAV.100

- 1 - G275
- 2 - G300
- 3 - G350
- 4 - G420

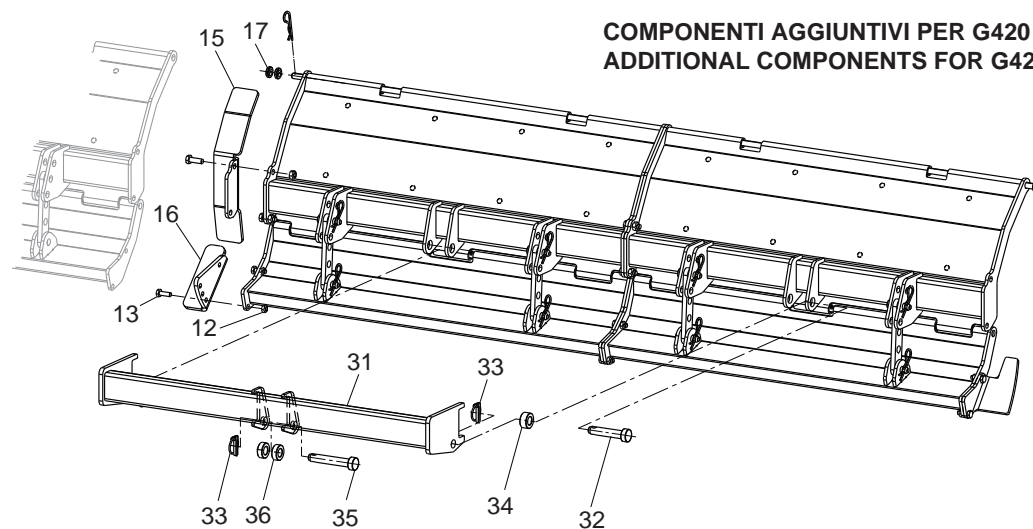
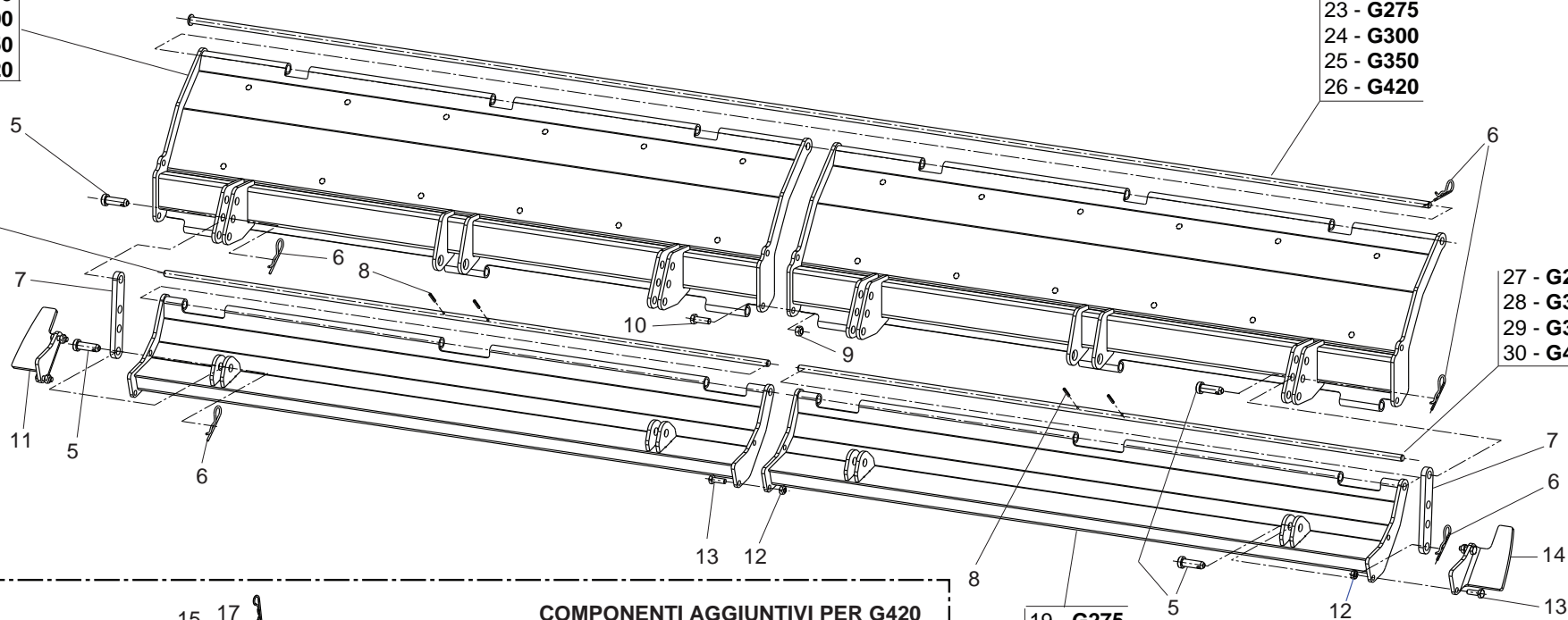
- 23 - G275
- 24 - G300
- 25 - G350
- 26 - G420

- 27 - G275
- 28 - G300
- 29 - G350
- 30 - G420

- 27 - G275
- 28 - G300
- 29 - G350
- 30 - G420

- 19 - G275
- 20 - G300
- 21 - G350
- 22 - G420

## COMPONENTI AGGIUNTIVI PER G420 ADDITIONAL COMPONENTS FOR G420

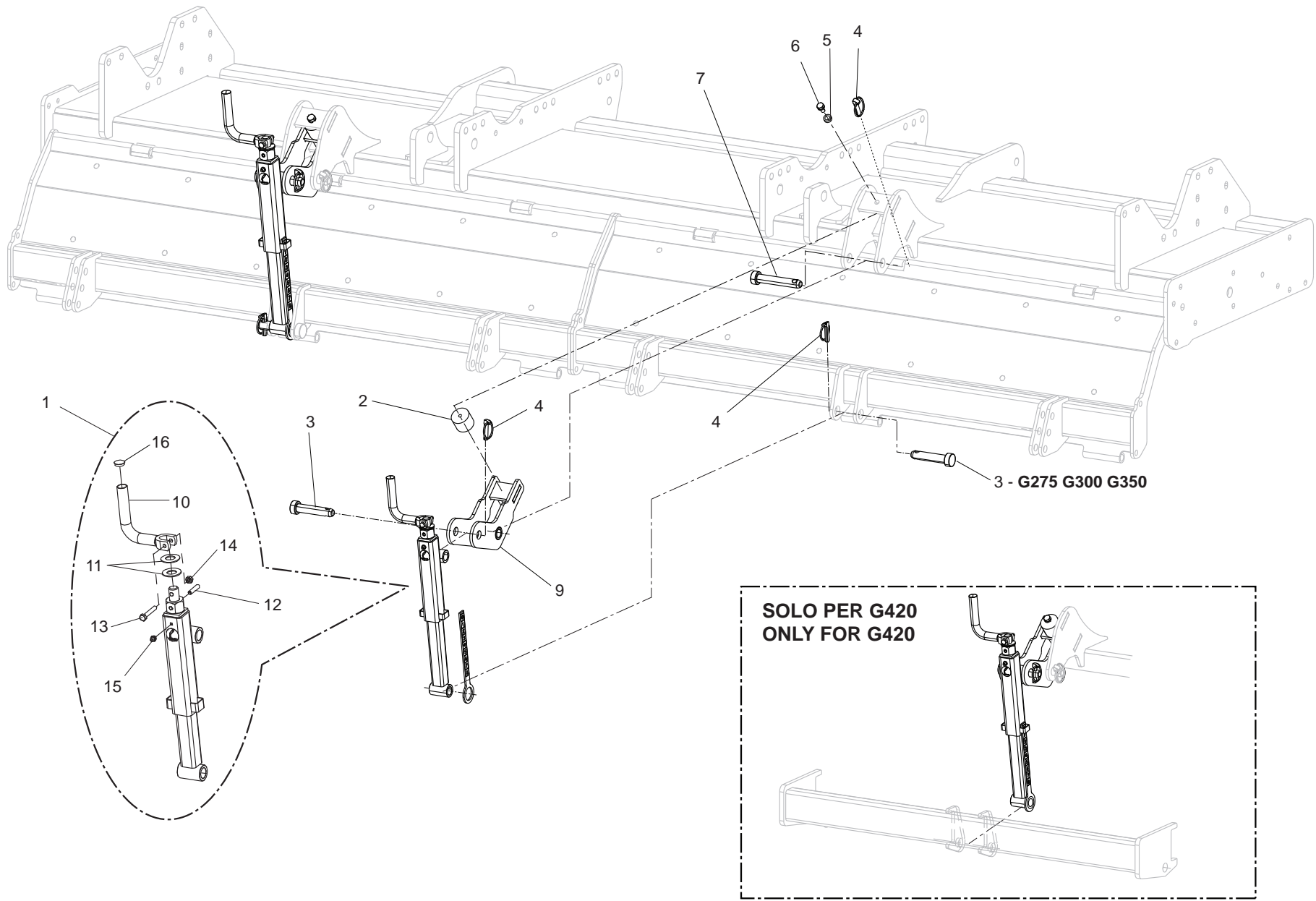


LAMIERE LIVELLATRICI  
LEVELING PLATES

TAV.100

Pos.	Cod.	Descrizione	Description	Benennung	Description	Descripcion
1	M16727611	LAMIERA LIVELLATRICE SUP.	UPPER PLATE GRADERCE INF.			
2	M16730611	LAMIERA LIVELLATRICE SUP.	TOP LOCKING PLATE			
3	M16735611	LAMIERA LIVELLATRICE SUP.	UPPER PLATE GRADERCE INF.			
4	M16720611	LAMIERA LIVELLATRICE SUP.	TOP LOCKING PLATE			
5	M38100573	PERNO DI REGOLAZIONE ZND	PIN	GOUJON	BOLZEN	PERNO
6	F02200374	COPIGLIA R 4X 82 ZN >	SPRING SPLIT PIN 4X82	GOUPILLE 4X82	SPLINT 4X82	PASADOR 4X82
7	M09400945	PIATTO REGOLAZ.X LAM.SDOPPIATE	ADJUSTMENT PLATE	PLATEAU REGLAGE	EINSTELL.TELLER	PLATO REGULACIÓN
8	F02100087	SPINA E.P. 5X 30 U6873 C70 BR	PIN EL. 5 X30 DIN 1481 BURNIS.	FICHE EL. 5 X30 DIN 1481	SPANNSTIFT 5 X30 DIN 1481	CLAVIJA EL.5 X30 DIN 1481
9	F01220047	DADO M12X1,25 D980 8ZN	NUT M12X1,25 D980 8ZN	ECROU M12X1,25 D980 8 ZN	MUTTER M12X1,25 D980 8 ZN	TUERCA M12X1,25 D980 8 ZN
10	F01010288	VITE M12X1,25X35 U5740 8.8ZN	SCR. M12X1,25X35 U5740 8.8ZN	VIS M12X1,25X35 U5740 8.8 ZN	SCHR.M12X1,25X35 U5740 8.8 ZN	TORN.M12X1,25X35 U5740 8.8 ZN
11	M41700608	EST.LAMIERA LIVELLATRICE SX	LEFT EXTENSION LEVELING PLATE			
12	F01220034	DADO M10X1,25 D980 8ZN	NUT M10X1,25 D980 8ZN	ECRO.M10X1,25 D980 8 ZB	MUTT.M10X1,25 D980 8 ZB	TUERCA.M10X1,25 D980 8 ZB
13	F01010250	VITE M10X1,25X30 U5740 8.8ZN >	SCR. M10X1,25X30 U5740 8.8ZN	VIS M10X1,25X30 U5740 8.8 ZB	SCHR.M10X1,25X30 U5740 8.8 ZB	TORN.M10X1,25X30 U5740 8.8 ZB
14	M41700607	EST.LAMIERA LIVELLATRICE DX	RIGHT EXTENSION LEVELING PLATE			
15	M41700604	EST.LAMIERA LIVELLATRICE CENTR	CENTRAL EXTENS.LEVELING PLATE			
16	M41700603	EST.LAMIERA LIVELLATRICE CENTR	CENTR. EXTENSION LEVELING PLAT			
17	M78400589	DISTANZIALE D=26.9 D=16,9 L=6	SPACER D=26.9 D=16,9 L=6			
19	M16727612	LAMIERA LIVELLATRICE INF.	LOWER PLATE GRADERIVELLATRICE			
20	M16730612	LAMIERA LIVELLATRICE INF.	LEVELLING BONNET			
21	M16735612	LAMIERA LIVELLATRICE INF.	LOWER PLATE GRADERIVELLATRICE			
22	M16720612	LAMIERA LIVELLATRICE INF.	LEVELLING BONNET			
23	M09427687	COMPOSTO PERNO D=14 L=2784	PIN D=14 L=2784353			
24	M09430687	COMPOSTO PERNO D=14 L=3134	PIN D=14 L=3134			
25	M09435687	COMPOSTO PERNO D=14 L=3634	PIN D=14 L=3634			
26	M09420687	COMPOSTO PERNO D=14 L=2134	PIN D=14 L=2134	AXE D=14 L=2134	BOLZEN D=14 L=2134	PERNO D=14 L=2134
27	M09454682	PERNO D=14 L= 1353	PIN D=14 L=1353778			
28	M09460682	PERNO D=14 L= 1528	PIN D.14			
29	M09470682	PERNO D=14 L= 1778	PIN D=14 L=1778PPORTO L.E.GNL			
30	M09440682	PERNO D=14 L=1036	PIN D=14 L=1037	GOUJON D=14 L=1036	BOLZEN D=14 L=1036	PERNO D=14 L=1036
31	M41700606	REGOLAZIONE LAMIERE	ADJUSTING PLATESLLATRICE DX			
32	F20100049	PERNO D22 L86 C43 TEST.D35 ZN>	BOLT D22 L86 C43 ZN	GOUJON D.22	BOLZEN D.22	PERNO D.22
33	F02200529	SPINA SCATTO D.11 H58 ZN >	SNAP PIN D.11 H58 ZN	FICHE A DETENTE D.11 H58 ZN	EINRASTSTIFT D.11 H58 ZN	CLAVIJA DE MUELLE D.11 H58 ZN
34	M75400341	DISTANZIALE D42,4 D22,5 L20	SPACER	ENTRETOISE	DISTANZSTUECK	DISTANCIADOR
35	F20100047	PERNO D22 L108 C43 TEST.D35 ZN	BOLT D22 L108 C43 ZN	GOUJON SUPPORT	BOLZEN	PERNO SOPORTE
36	M33100606	DISTANZ. D=42,4 D=22,5 L=15	SPACER	ENTRETOISE	DISTANZSTUECK	DISTANCIADOR

**TAV.110**



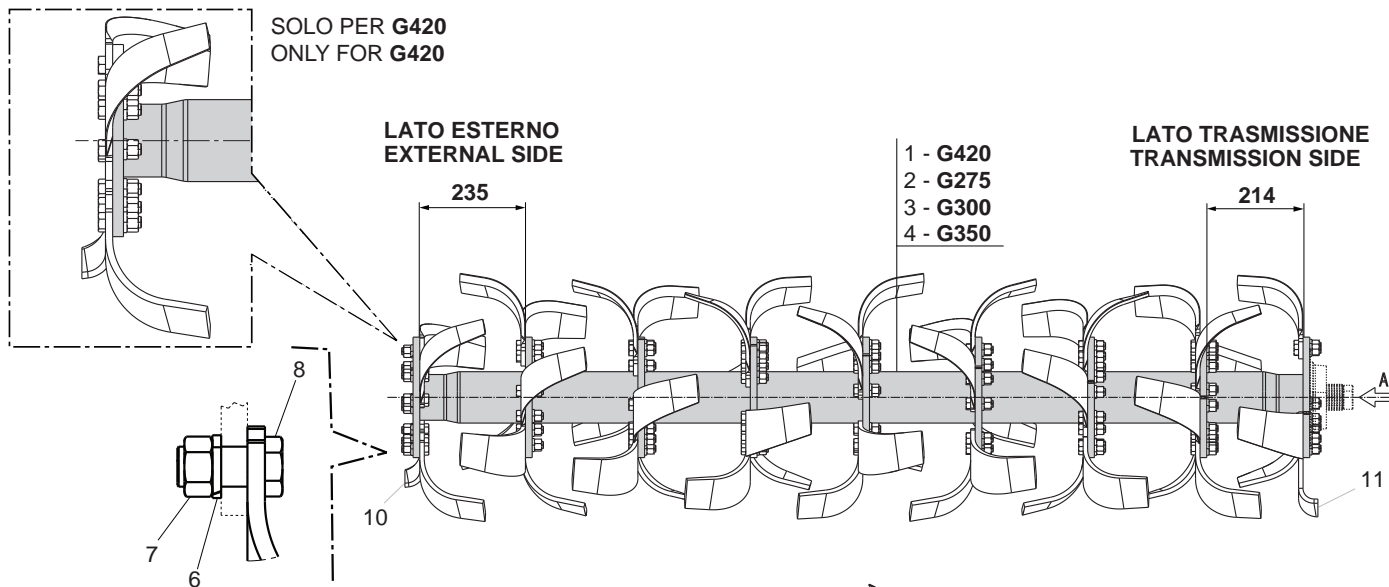


**MARTINETTO LAMIERA LIVELLATRICE  
LEVELING PLATES MECHANICAL ADJUSTER**

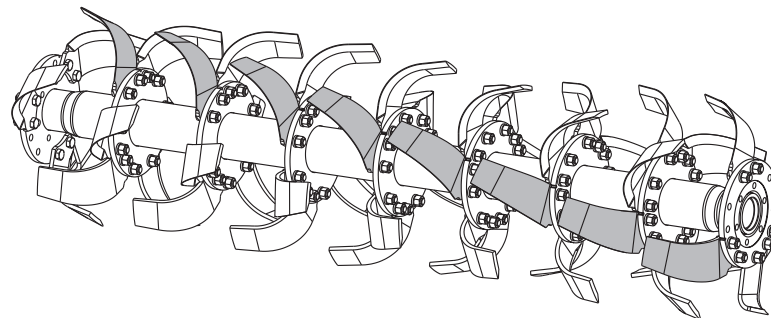
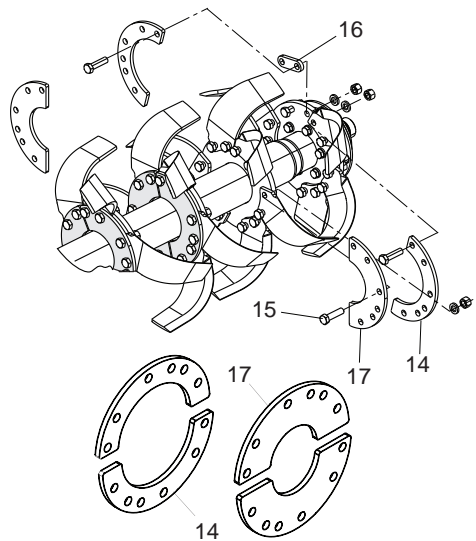
**TAV.110**

Pos.	Cod.	Descrizione	Description	Benennung	Description	Description
1	M36200887	MART.MECCANICO REG.BARRA DM R.	MECHANICAL ADJUSTER BAR DM R.	MANIVELLE MECHANIQUE	SPINDELVERSTELLUNG	GATO MECANICO
2	F05150033	ANTIV. APF D50X40 M10 45 SHORE	RUBBER BUFFER	BUFFER CAOUTCHOUC	PUFFER	PUFFER
3	F20100049	PERNO D22 L86 C43 TEST.D35 ZN>	BOLT D22 L86 C43 ZN	GOIJON D.22	BOLZEN D.22	PERNO D.22
4	F02200529	SPINA SCATTO D.11 H58 ZN >	SNAP PIN D.11 H58 ZN	FICHE A DETENTE D.11 H58 ZN	EINRASTSTIFT D.11 H58 ZN	CLAVIJA DE MUELLE D.11 H58 ZN
5	F01480112	ROS.G 10,5X19X 3 FLZNNC - 240H	GROWER WASHER D.10	RONDELLE GROWER D.10	SCHEIBE GROWER D.10	ARANDELA GROWER D.10
6	F01020470	VITE M10X1,5X20 U5739 8.8ZN	SCR. M10X1,5X20 U5739 8.8ZN	VIS M10X1,5X20 U5739 8.8 ZN	SCHRAUBE M10X1,5X20 U5739 ZN	TORNILLOM10X1,5X20 U5739 8.8ZN
7	F20100047	PERNO D22 L108 C43 TEST.D35 ZN	BOLT D22 L108 C43 ZN	GOIJON SUPPORT	BOLZEN	PERNO SOPORTE
9	M16700617	STAFFA OSCILLANTE	BRACKET SWIGING			
10	M36200808	COMP. MANICO VITE >	HANDLE SCREW			
11	F01460051	MOL.T 40X 20,3X 2 D2093 ZN	CUP SPRING 40X 20,3X 2 D2093			
12	F02100242	SPINA E.S. 8X 36 U6875 C70 BR	ELASTIC PIN 8X36	GOIJON ELASTIQUE 8X36	SPANNHUELSE 8X36	ESPINA ELASTICA 8X36
13	F01020072	VITE M8X1,25X50 U5737 8.8ZN >	SCR. M8X1,25X50 U5737 8.8ZN	VIS M8X1,25X50 U5737 8.8 ZN	SCHR. M8X1,25X50 U5737 8.8 ZN	TORN. M8X1,25X50 U5737 8.8 ZN
14	F01220022	DADO M8X1,25 D980 8ZN	NUT M8X1,25 D980 8ZN	ECROU M8X 1,25 D980 8 ZN	MUTTER M8X 1,25 D980 8 ZN	TUERCA M8X 1,25 D980 8 ZN
15	F01100048	ING.M 8X1,25 7663A 9SMNPB28 Z>	GREASE NIPPLE M8X1,25 U7663A	GRAISSEUR A BILLES M8X1,25	SCHMIERBUECHSE M8X1,25 7663A	ENGRAS. DE ESFERAS M8 X 1,25 A
16	F05100015	TAPPO AD ALETTA D=22 PLT NERO	CAP	BOUCHON	DECKEL	CORCHO

# TAV.120



## OPTIONAL CONTROFLANGE / COUNTER-FLANGE



12 - DX / RH  
tungsten 20 - DX / RH

5 - DX / RH  
tungsten 18 - DX / RH

9 - SX / LH  
tungsten 19 - SX / LH

13 - SX / LH  
tungsten 21 - SX / LH

ZAPPE PULISCI FIANCATA  
(solo su flange lato esterno)

MUD SCRAPER BLADES  
(only on external side flanges)

11 - SX / LH

10 - DX / RH

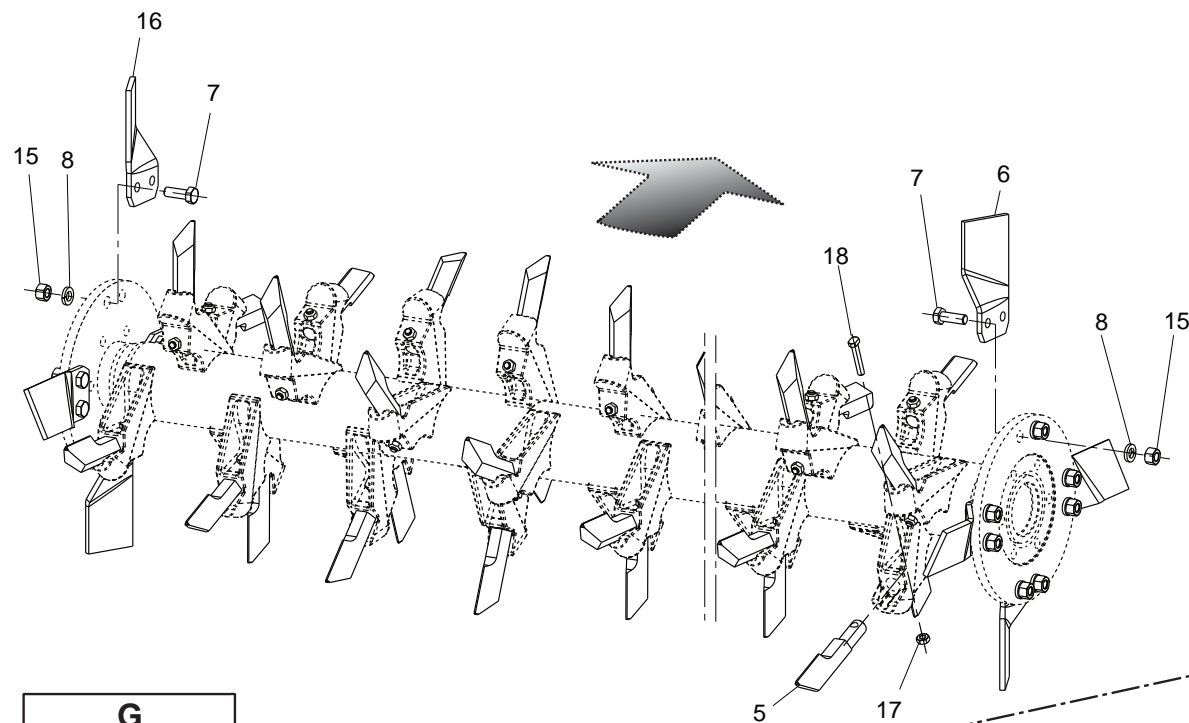
OPTIONAL

**ROTORE STANDARD  
STANDARD ROTOR**

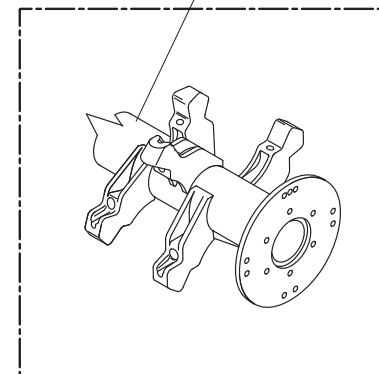
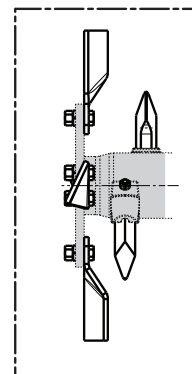
**TAV.120**

Pos.	Cod.	Descrizione	Description	Benennung	Description	Description
1	M16720423	ROTORE PORTAZZAPPE INT. MOD420	BLADES INT. ROTOR 420			
2	M16727423	ROTORE PORTAZZAPPE INT. MOD275	ROTOR INTERNAL BLADES D. 550			
3	M16730423	ROTORE PORTAZZAPPE INT. MOD620	BLADES INT. ROTOR 620			
4	M16735423	ROTORE PORTAZZAPPE INT. MOD720	ROTOR INTERNAL BLADES D. 550			
5	M09400414	ZAPPA EL DX "PANTERA" >	R. HEL. BLADE 90X10 PANTERA	LAME HELICE DRT 90X10 PANTERA	BOGENMESSER R 90X10 PANTERA	AZADA HELICE D 90X10 PANTERA
6	F01480145	ROS.G 17X29 X 5 FLZNNC-240H	GROWER WASHER 17X29	RONDELLE GROWER 17X29	SCHEIBE GROWER 17X29	ARANDELA GROWER 17X29
7	F01200104	DADO M16X1,5 U5587 CL8 ZNN6SZN	NUT M16X1,5 U5587 6SZN	ECRO.M16X 1,5	MUTT.M16X 1,5	TUER.M16X 1,5
8	F20110044	VITE M16X1,5 X 50 SPEC 12.9 ZF	BOLT M16X1,5X50 SPEC 12.9ZF	VIS M16X1,5X50 SPEC 12.9ZF	SCHRAU. M16X1,5X50 SPEC 12.9ZF	TORN. M16X1,5X50 SPEC 12.9ZF
9	M09400415	ZAPPA EL SX "PANTERA" >	L. HEL. BLADE 90X10 PANTERA	LAME HELICE GCH 90X10 PANTERA	BOGENMESSER L 90X10 PANTERA	AZADA HELICE I 90X10 PANTERA
10	M09400454	ZAPPA SQ DX "PANTERA" CORTA	SHORT R. SQUARE BLADE			
11	M09400455	ZAPPA SQ SX "PANTERA" CORTA	SHORT L. SQUARE BLADE			
12	M09400418	ZAPPA SQ DX "PANTERA" >	R. BLADE SQUARE 90X10 PANTERA	LAME EQUERRE DRT 90X10 PANTERA	WINKELMESSER R 90X10 PANTERA	AZADA ESCUADRA D 90X10 PANTERA
13	M09400419	ZAPPA SQ SX "PANTERA" >	L. BLADE SQUARE 90X10 PANTERA	LAME EQUERRE GCH 90X10 PANTERA	WINKELMESSER L 90X10 PANTERA	AZADA ESCUADRA I 90X10 PANTERA
14	M09400435	CONTROFLANGIA X PANTERA	COUNTER-FLANGE	CONTRE-FLASQUE	GEGENDFLANSCH	BRIDA
15	F20110046	VITE M16 X1,5X 60 SPEC 10.9 ZD	BOLT M 16X1,5X60 10.9	VIS TE.8G.M16X1.5X60 UNI 5738	BOLZEN TE.8G.M16X1,5X60UNI5738	TORNILLO M 16X1,5X60 10.9
16	M09400436	PIATTO 87 X 31 X10	PLATE	PLAT	PLATTE	PLATO
17	M16700431	CONTROFLANGIA PANTERA	COUNTER-FLANGE PANTERA			
18	M09400423	ZAPPA EL DX "PANTERA" TUNG	RIGHT HEL. BLADE TUNGSTEN	LAME HELICE DROIT TUNG.	RECHT BOGENMESS. TUNG.	AZADA HEL.DERECHA TUNG.
19	M09400424	ZAPPA EL SX "PANTERA" TUNG	LEFT HEL. BLADE TUNGSTEN	LAME HELICE GAUCHE TUNG.	LINK BOGENMESS. TUNG.	AZADA HEL.IZQUIER. TUNG.
20	M09400425	ZAPPA SQ DX "PANTERA" TUNG	RIGHT SQ. TUNGSTEN BLADE			
21	M09400426	ZAPPA SQ SX "PANTERA" TUNG	LEFT SQ. TUNGSTEN BLADE			

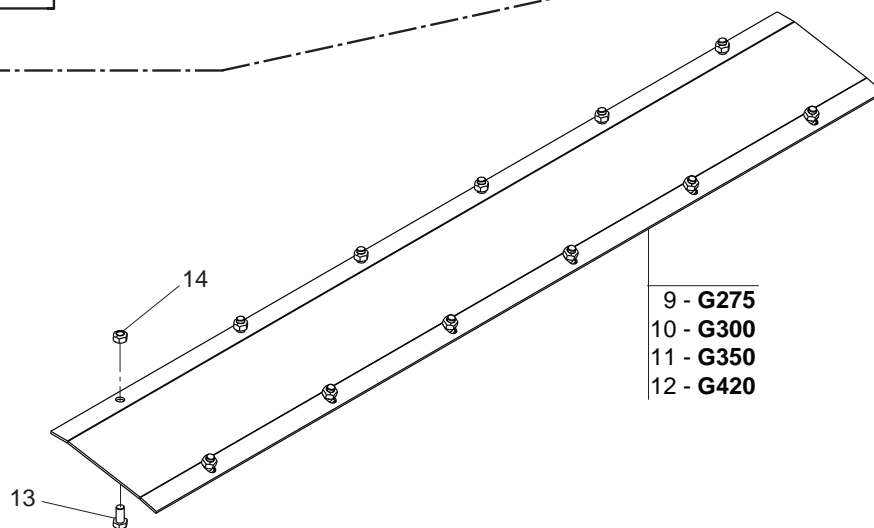
**TAV.130**



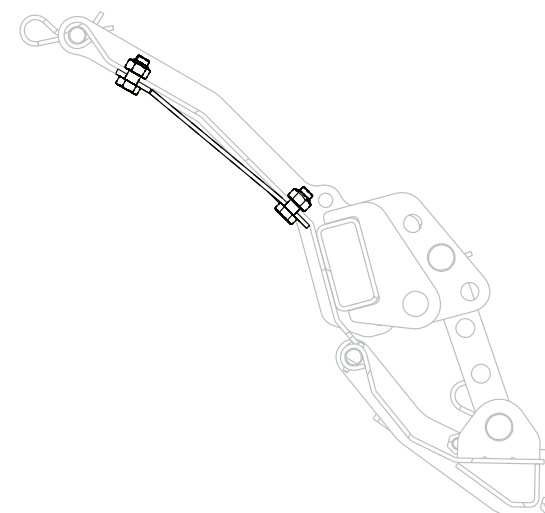
- 1 - G275
- 2 - G300
- 3 - G350
- 4 - G420



**G  
CONDOR**



- 9 - G275
- 10 - G300
- 11 - G350
- 12 - G420

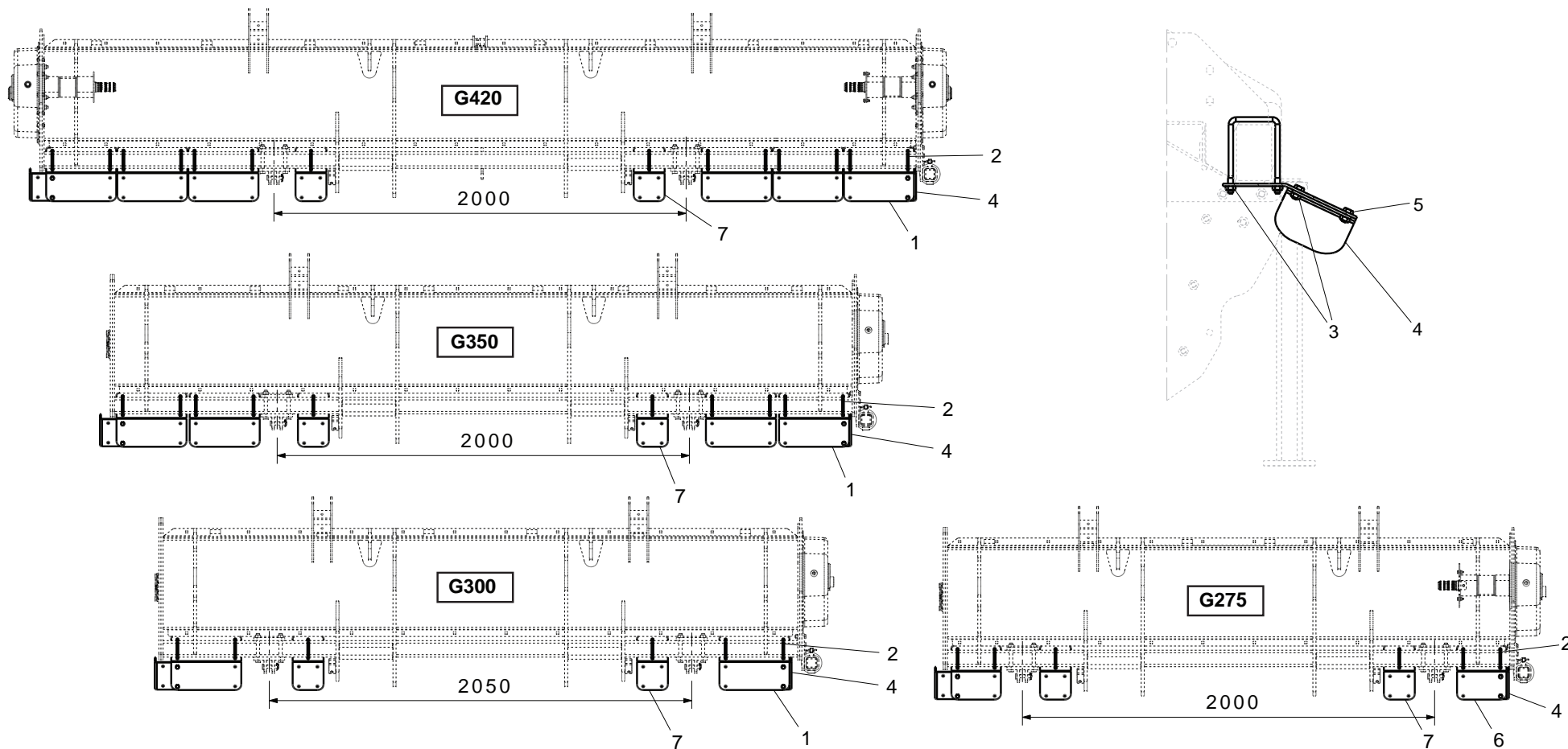


**ROTORE CONDOR E RINFORZO LAMIERE  
CONDOR ROTOR AND DOUBLE SKIN FRAME**

**TAV.130**

Pos.	Cod.	Descrizione	Description	Benennung	Description	Description
1	M74127461	COMP. ROTORE CONDOR 275	CONDOR ROTOR 275			
2	M74130461	COMP. ROTORE CONDOR 300	CONDOR ROTOR 300			
3	M74135461	COMP. ROTORE CONDOR 350	CONDOR ROTOR 350			
4	M74120461	COMP. ROTORE CONDOR 205	ROTOR CONDOR 205	ROTOR CONDOR 205	ROTOR CONDOR 205	ROTOR CONDOR 205
5	M28100474	DENTE	TOOTH			
6	M26100418	DENTE FLANGIA QUADRA SX	L TINE 80X8 COBRA/SUPERCOBRA	LAME GCH 80X8 COBRA/SUPERCOBRA	ZINKENMESSER L80X8 COB/SUP.COB	CUCHILLA I80X8COBRA/SUPERCOBRA
7	F20110033	VITE M14X1,5X40 SPEC 12.9 ZF	BOLT M14X1,5X40 SPEC 12.9 ZF	VIS M14X1,5X40 SPEC 12.9 ZF	SCHRAU. M14X1,5X40 SPEC 12.ZF	TORN. M14X1,5X40 SPEC 12.9ZF
8	F01480134	ROS.G 15X26,5X4,5 FLZNNC-240H	GROWER 15X26,5X4,5 EX.C70 ZN	RONDELLE GROWER 15X26,5X4,5	SCHEIBE GROWER 15X26,5X4,5	ARANDELA GROWER 15X26,5X4,5
9	M16727629	RINFORZO LAMIERA LIVELLATRICE	REINFORCEMENT LEVELING PLATEE			
10	M16730629	RINFORZO LAMIERA LIVELLATRICE	REINFORCEMENT LEVELING PLATEO			
11	M16735629	RINFORZO LAMIERA LIVELLATRICE	REINFORCEMENT LEVELING PLATE			
12	M16720629	RINFORZO LAMIERA LIVELLATRICE	REINFORCEMENT LEVELING PLATE5			
13	F01010281	VITE M12X1,25X25 U5740 8.8ZN	SCR. M12X1,25X25 U5740 8.8ZN	VIS M 12X1,25X25	SCHRAUBE M 12X1,25X25	TORNILLO M 12X1,25X25
14	F01220047	DADO M12X1,25 D980 8ZN	NUT M12X1,25 D980 8ZN	ECROU M12X1,25 D980 8 ZN	MUTTER M12X1,25 D980 8 ZN	TUERCA M12X1,25 D980 8 ZN
15	F01200090	DADO M14X1,5 U5587 8GZN	NUT M14X1,5 U5587 8GZN	ECROU M14X1,5	MUTTER M14X1,5	DADO M14X1,5
16	M26100417	DENTE FLANGIA QUADRA DX	R TINE 80X8 COBRA/SUPERCOBRA	LAME DRT 80X8 COBRA/SUPERCOBRA	ZINKENMESSER R80X8 COB/SUP.COB	CUCHILLA D80X8COBRA/SUPERCOBRA
17	F01220034	DADO M10X1,25 D980 8ZN	NUT M10X1,25 D980 8ZN	ECRO.M10X1,25 D980 8 ZB	MUTT.M10X1,25 D980 8 ZB	TUER.M10X1,25 D980 8 ZB
18	M28100476	VITE M10X1,25X55 SPEC 8.8 ZN	BOLT	VIS M10X1,25X55 TETE APLATIE	SCHRAUBE	TORNILLO

# TAV.140

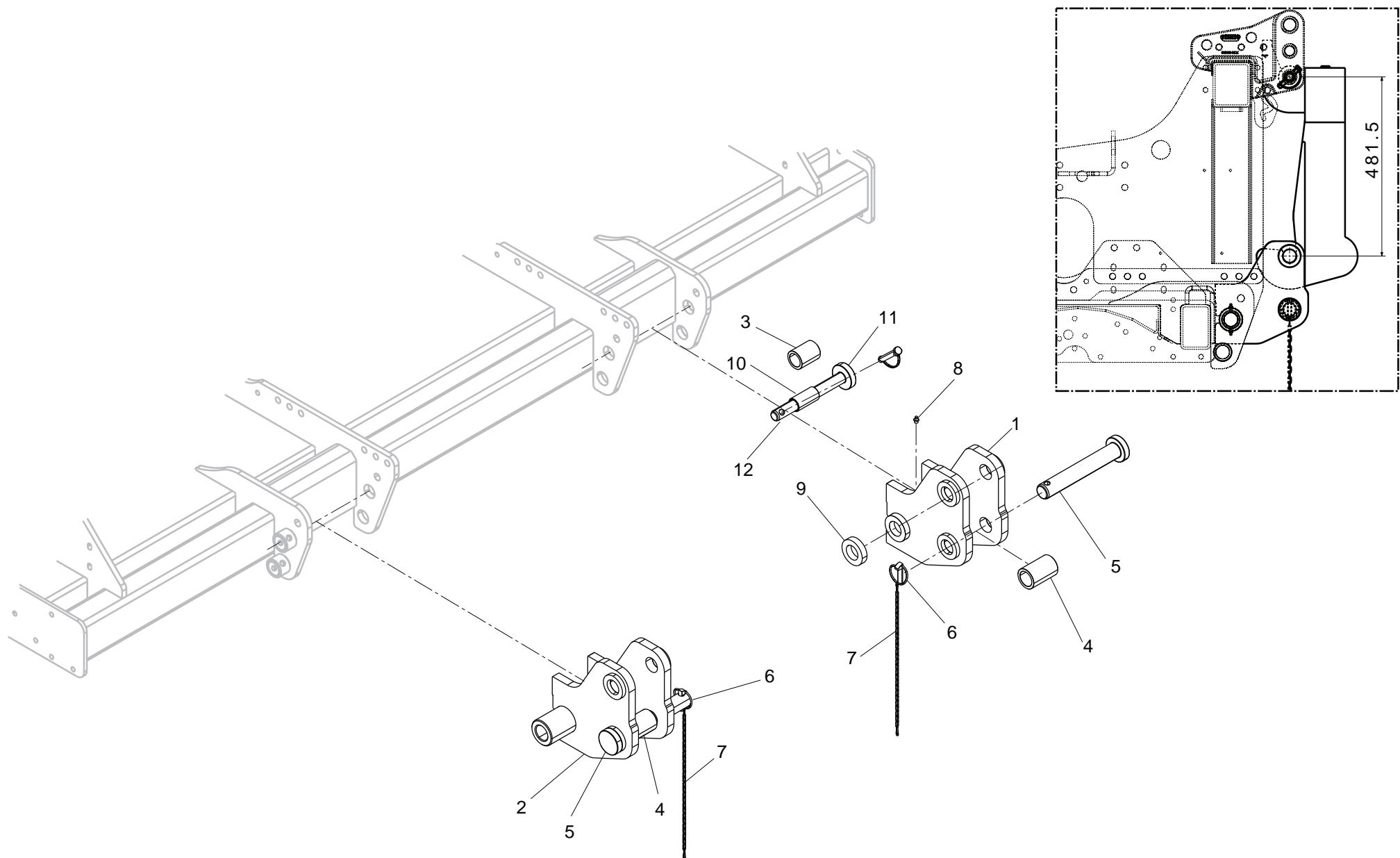


**PROTEZIONI "CE"  
"EC" PROTECTIONS**

**TAV.140**

Pos.	Cod.	Descrizione	Description	Benennung	Description	Description
1	M69100919	PROT.ANT.L=340	FRONT PROTECTION L=340	PROTECTION AVANT L=340	VORDERER SCHUTZ L=340	PROTECC.DELANTERA L=340
2	F20110735	CAV.R.B=80 H=120M=10X1,5 L=139	CONNECTION	ATTELAGE	AERBINDUNG	ATAQUE
3	F01220033	DADO M10X1,5 D980 8ZN	NUT M10X1,5 D980 8ZN	ECROU M10X1,5 D980 8ZN	MUTTER M10X1,5 D980 8ZN	TUERCA M10X1,5 D980 8ZN
4	M69100920	PROT.ANT.LATERALE	PROTECTION	PROTECTION	SCHUTZ	PROTECCIÒN
5	F01020470	VITE M10X1,5X20 U5739 8.8ZN	SCR. M10X1,5X20 U5739 8.8ZN	VIS M10X1,5X20 U5739 8.8 ZN	SCHRAUBE M10X1,5X20 U5739 ZN	TORNILLO M10X1,5X20 U5739 8.8ZN
6	M69100918	PROT.ANT.L=240	FRONT PROTECTION L=240	PROTECTION AVANT L=240	VORDERER SCHUTZ L=240	PROTECC.DELANTERA L=240
7	M69100917	PROT.ANT.L=150	FRONT PROTECTION L=150	PROTECTION AVANT L=150	VORDERER SCHUTZ L=150	PROTECC.DELANTERA L=150

**TAV.150**



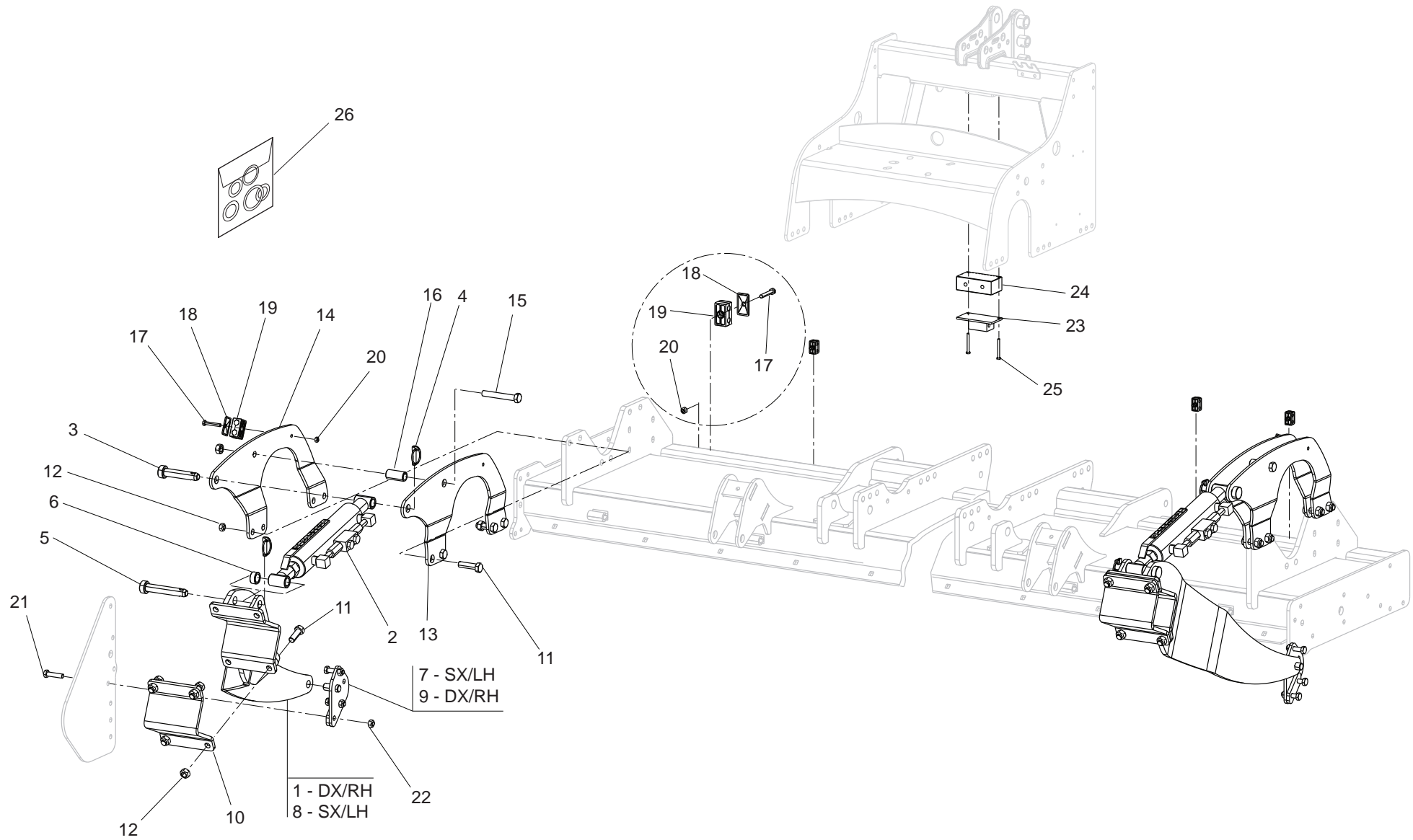


**ADATTATORE PER "USA" QUICK HITCH  
ADAPTER FOR "USA" QUICK HITCH**

**TAV.150**

Pos.	Cod.	Descrizione	Description	Benennung	Description	Description
1	M16700592	BIELLA QUICK COUPLER 3°4°CAT	QUICK COUPLER 3°4°CAT ROD			
2	M16700591	BIELLA QUICK COUPLER 3°4°CAT	QUICK COUPLER 3°4°CAT ROD			
3	M12400758	DISTANZ. D=45 D=32,5 L=53 ZN	SPACER D=45 D=32,5 L=53 ZN			
4	M12400757	DISTANZ. D=50 D=36,5 L=76 ZN	SPACER 50X36,5X76	ENTRETOISE 50X36,5X76	DISTANZSTUECK 50X36,5X76	DISTANCIADOR 50X36,5X76
5	F20100142	PERNO D36 L208 C43 TEST.D60 ZN	PIN D36 L208 C43 ZN	GOUJON D36 L208 C43 ZN	BOLZEN D36 L208 C43 ZN	PERNO D36 L208 C43 ZN
6	F02200529	SPINA SCATTO D.11 H58 ZN >	SNAP PIN D.11 H58 ZN	FICHE A DETENTE D.11 H58 ZN	EINRASTSTIFT D.11 H58 ZN	CLAVIJA DE MUELLE D.11 H58 ZN
7	M58100930	CATENELLA L=476	ASSEMBLY CHAIN DMP L=476	CHAINE L=476	KETTE L=476	CADENA L=476
8	F01100048	ING.M 8X1,25 7663A 9SMNPB28 Z>	GREASE NIPPLE M8X1,25 U7663A	GRAISSEUR A BILLES M8X1,25	SCHMIERBUECHSE M8X1,25 7663A	ENGRAS. DE ESFERAS M8 X 1,25 A
9	M37400533	BOCCOLA DISTANZIALE	BUSH SPACER			
10	M55400563	DISTANZ. D=32 D=25,5 L=65 ZN	SPACER D=32 D=25.5 L=65RINO DX			
11	F20100134	PERNO D25 L190 C43 TEST.D60 ZN	BOLT D25 L190 C43 ZN			
12	F02200584	SPINA SICUR.D.12X70 ZN	PIN D12 L70 ZN	FICHE D12 L70 ZN	STIFT D12 L70 ZN	CLAVIJA D12 L70 ZN

**TAV.160**

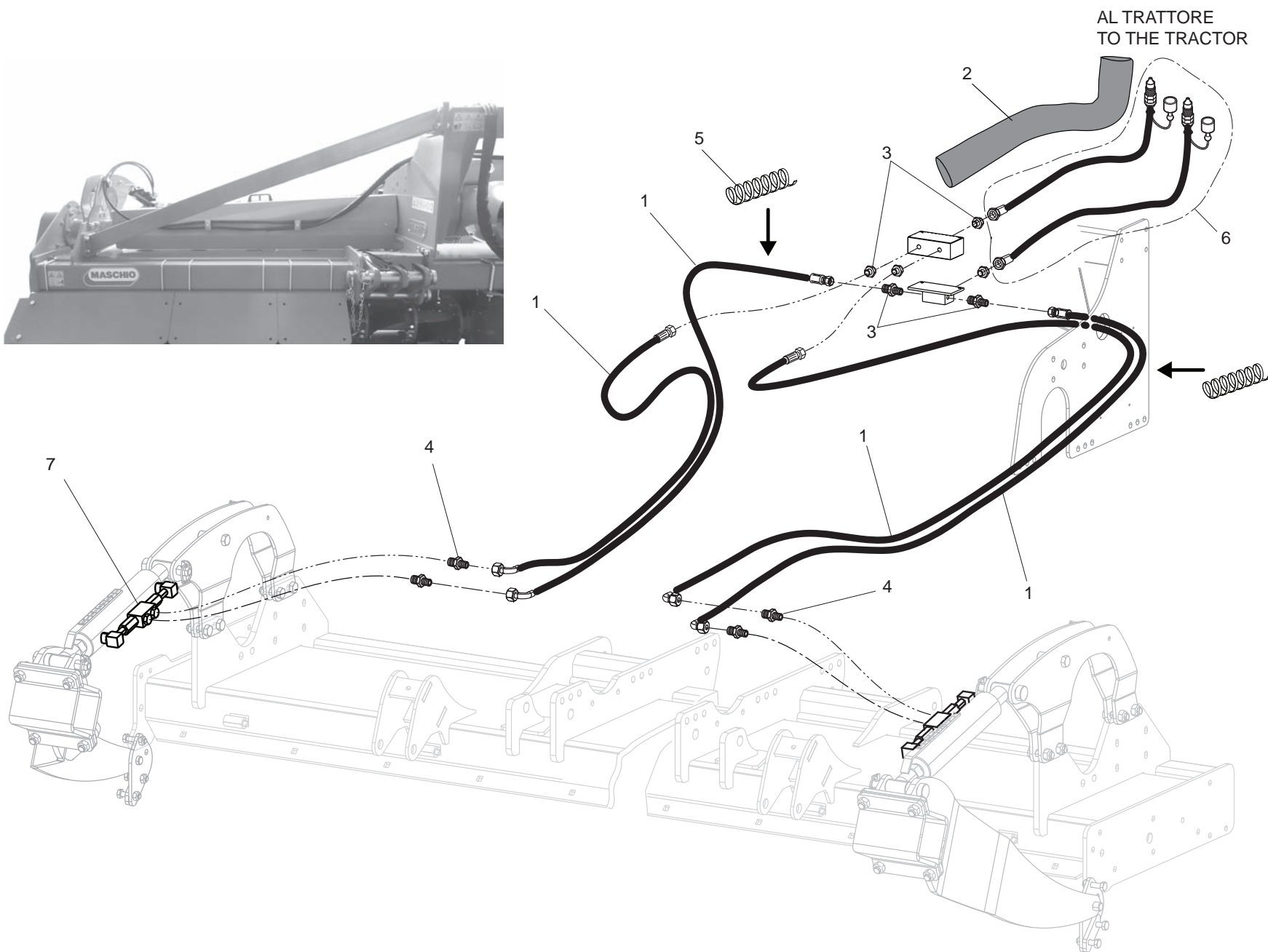


**REGOLAZIONE IDRAULICA RULLI  
ROLLER HYDRAULIC ADJUSTMENT**

**TAV.160**

Pos.	Cod.	Descrizione	Description	Benennung	Description	Description
1	M41700520	BRACCIO DX SUPPORTO RULLO INT.	RH INTERNAL SUPPORT ARM ROLLER			
2	M58100638	MARTINETTO REGOLAZIONE RULLO	HYDRAULIQUE ROLLER ADJUSTER	MANIVELLE HYDRAULIQUE REG.ROUL	HYDRAUL.SPINDELVERSTELLUNG	GATO HYDRAULICO REG.RODILLO
3	F20100049	PERNO D22 L86 C43 TEST.D35 ZN>	BOLT D22 L86 C43 ZN	GOIJON D.22	BOLZEN D.22	PERNO D.22
4	F02200529	SPINA SCATTO D.11 H58 ZN >	SNAP PIN D.11 H58 ZN	FICHE A DETENTE D.11 H58 ZN	EINRASTSTIFT D.11 H58 ZN	CLAVIJA DE MUELLE D.11 H58 ZN
5	F20100047	PERNO D22 L108 C43 TEST.D35 ZN	BOLT D22 L108 C43 ZN	GOIJON SUPPORT	BOLZEN	PERNO SOPORTE
6	M75400330	DISTANZIALE D33,7 D23,7 L15	SPACER D33,7 D23,7 L15	ENTRETOISE D33,7 D23,7 L15	DISTANZSTUECK D33,7 D23,7 L15	DISTANCIADOR D33,7 D23,7 L15
7	M41700802	SUPPORTO RULLO	SOIL SCRAPER SUPPORTULLO DX			
8	M41700521	BRACCIO SX SUPPORTO RULLO INT.	LH INTERNAL SUPPORT ARM ROLLER			
9	M41700801	SUPPORTO RULLO	ROLL SUPPORTLO			
10	M36200554	STAFFA ATTACCO	STIRRUP LINKAGE	ATTELAGE ETRIER	BUEGELLINK	ESTRIBO ATAQUE
11	F01010341	VITE M16X1,5X45 U5740 8.8ZN	SCR. M16X1,5X45 U5740 8.8ZN	VIS M16X1,5 X45 U5740 8.8 ZN	SCHR.M16X1,5 X45 U5740 8.8 ZN	TORN.M16X1,5 X45 U5740 8.8 ZN
12	F01220070	DADO M16X1,5 D980 10ZN	NUT M16X1,5 D980 8ZN	ECRO.M16X1,5 D980 8ZN	MUTTER M16X1,5 D980 8ZN	TUER.M16X1,5 D980 8ZN
13	M41700806	ATTACCO MARTINETTO RULLO DX	ROLLER JAM PLATETO RULLO SX			
14	M41700807	ATTACCO MARTINETTO RULLO SX	ROLLER LEFT JAM PLATE LF			
15	F01010124	VITE M16X1,5X100 U5738 8.8ZN	SCR. M16X1,5X100 U5738 8.8ZN	VIS M16X1,5X100	SCHRAUBE M16X1,5X100	TORNILLO M16X1,5X100
16	M40200515	BOCCOLA UNIONE 3 P.	BUSH 3 POINT	BAGUE 3EME POINT	BUECHSE DREIPUNKT	BRUJULA 3 PUNTO
17	F01020452	VITE M8X1,25X50 U5739 8.8ZN	SCR. M8X1,25X50 U5739 8.8ZN	VIS M8X1,25X50 U5739 8.8 ZN	SCHRA. M8X1,25X50 U5739 8.8 ZN	TORN. M8X1,25X50 U5739 8.8 ZN
18	F03150993	PIATTO X COLLARE SUPERIORE ZN	PLATE	PLAT	PLATTE	PLATO
19	F03151019	COPIA COLL.2T D12 1V I=00 M8	COLLAR PAIR 2T D12 1V I=00 M8			
20	F01220022	DADO M8X1,25 D980 8ZN	NUT M8X1,25 D980 8ZN	ECROU M8X 1,25 D980 8 ZN	MUTTER M8X 1,25 D980 8 ZN	TUERCA M8X 1,25 D980 8 ZN
21	F01010055	VITE M12X1,25X50 U5738 8.8ZN	SCR. M12X1,25X50 U5738 8.8ZN	VIS M12X1,25X50 U5738 8.8 ZN	SCHRA.M12X1,25X50 U5738 8.8 ZN	TORN. M12X1,25X50 U5738 8.8 ZN
22	F01220047	DADO M12X1,25 D980 8ZN	NUT M12X1,25 D980 8ZN	ECROU M12X1,25 D980 8 ZN	MUTTER M12X1,25 D980 8 ZN	TUERCA M12X1,25 D980 8 ZN
23	M76100876	RACCORDO A T	T CONNECTION	CONNECTION A T	T VERBINDUNG	JUNTURA A T
24	F03151044	DIVISORE DI FLUSSO A 2 VIE	FLOW DIVISOR	DIVISEUR DE FLUX	OELVERTEILER	DIVISOR DE FLUJO
25	F01020416	VITE M6X1X55 U5739 8.8ZN	SCR. M6X1X55 U5739 8.8ZN	VIS 6 X55 5739 8.G ZN	SCHRAUBE 6 X55 5739 8.G ZN	TORNILLO 6X55 5739 8.G ZN
26	F03100109	SERIE GUAR.M58100638/M3620068->	GASKET SET (38100479)	SERIE JOINTS (38100479)	DICHTUNGSSATZ (38100479)	SERIE JUNTAS (38100479)

# TAV.170



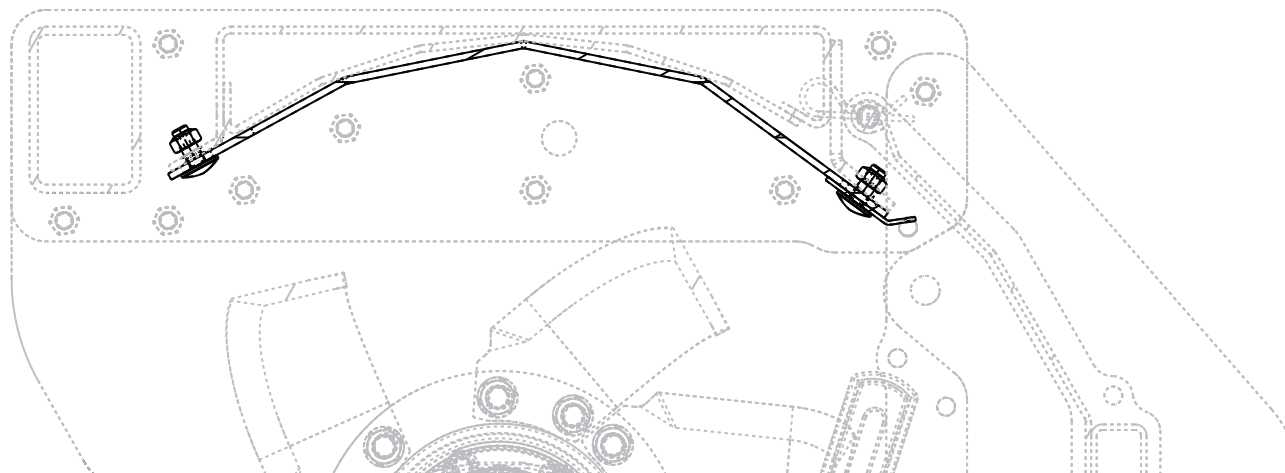
**IMPIANTO IDRAULICO  
HYDRAULIC PLANT**

**TAV.170**

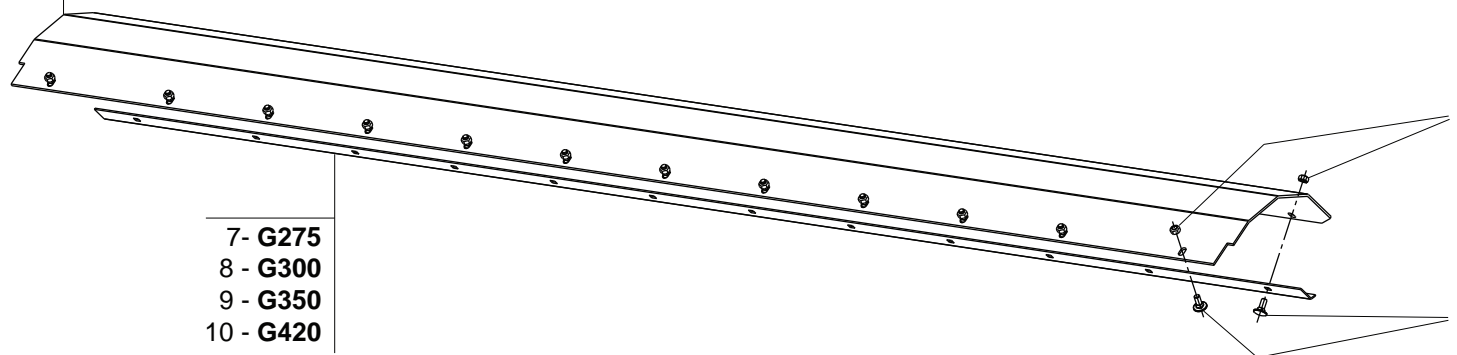
Pos.	Cod.	Descrizione	Description	Benennung	Description	Description
1	F03070167	TUBO 1/4 R17 FL10 CFL10 L3000	TUBE 1/4 R17 FL10 CFL10 L3000			
2	F03100363	GUAINA TELATA D=65 L=1300	SHEATH D=65 L=1300	GAINE D=65 L=1300	MANTEL D=65 L=1300	VAINA D=65 L=1300
3	F03080082	NIPPLO M1/4 SEAL ML10 ZN	NIPPLE M1/4 SEAL ML10 ZN			
4	F03080081	NIPPLO M3/8 SEAL ML10 ZN	NIPPLE M3/8 SEAL ML10 ZN			
5	F05150484	SPIRALE PROTETTIVA D.27-32	PROTECTIVE SPIRAL D.27-32	SPIRALE DE PROTECTION D.27-32	SPIRAL SCHUTZ D.27-32	ESPIRAL PROTECIEN D.27-32
6	F03060171	PREM. TUB.IDR.MART.LAT.GUA.DI>	PREM.*TUB.IDR.MART.LAT			
7	F03150525	KIT VAL.COMPL.X M58100638	AUTOMATIC LOCKING VALVE	SOUPAPE D'ARRET AUTOMATIQUE	AUTOM. VENTIL	VALVULA DE CIERRE AUTOMATICA

# TAV.180

OPTIONAL



- 3- G275
- 4 - G300
- 5 - G350
- 6 - G420



- 7- G275
- 8 - G300
- 9 - G350
- 10 - G420

**ANTICLOGGING  
ANTICLOGGING**

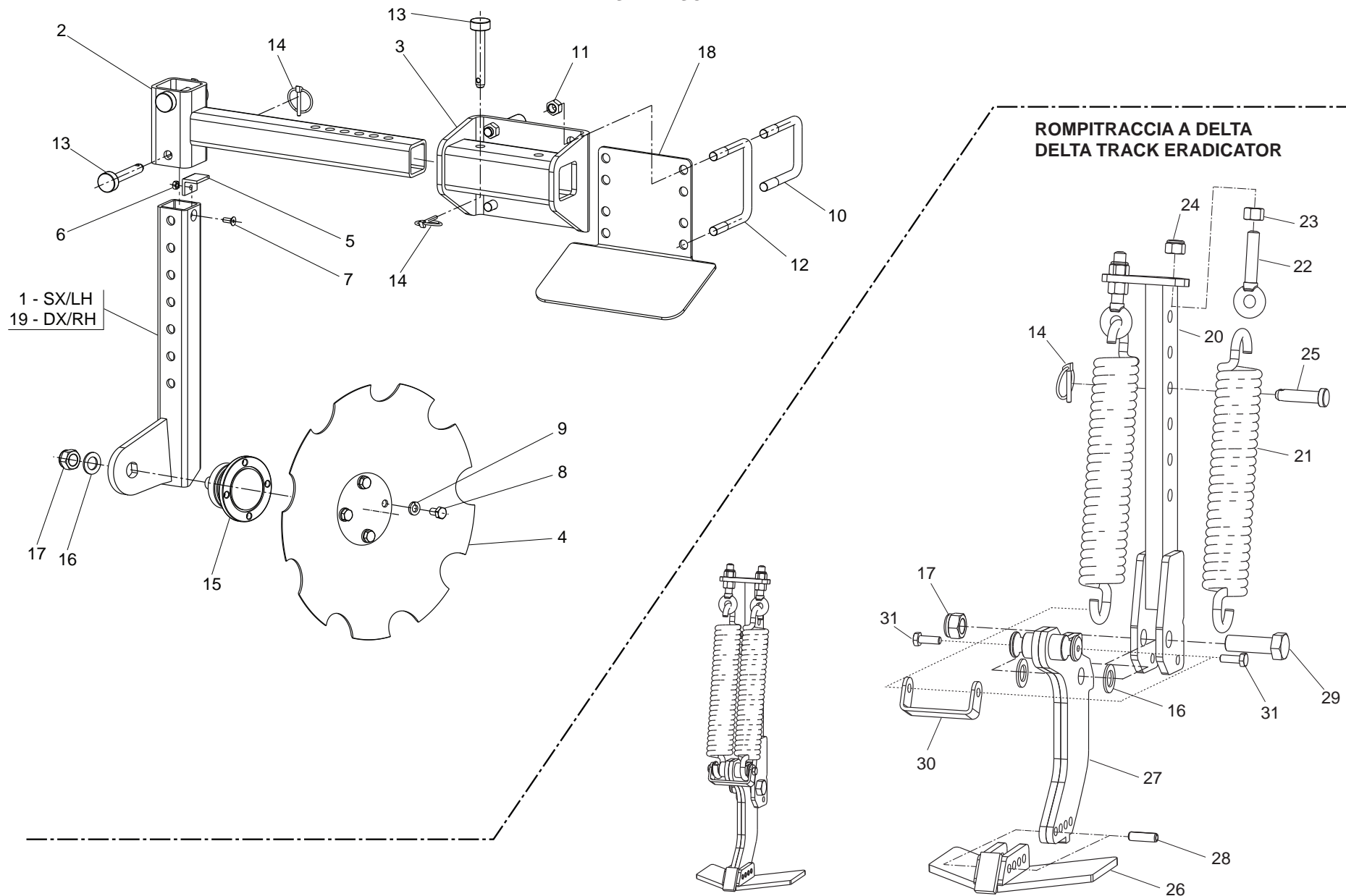
**TAV.180**

Pos.	Cod.	Descrizione	Description	Benennung	Description	Descripcion
1	F01220048	DADO M12X1,75 D980 8ZN	NUT M12X1,75 D980 8ZN	ECROU M12X1,75 D980 8 ZN	SCHEIBE M12X1,75 D980 8 ZN	TUERCA M12X1,75 D980 8 ZN
2	F01060206	VITE M12X1,75X30 U5731 8.8ZN	SCR. M12X1,75X30 U5731* 8.8ZN	VIS M12X1,75X30	SCHRAUBE M12X1,75X30	TORNILLO M12X1,75X30
3	M41727539	ANTI CLOGGING	ANTI CLOGGING3°PUNTO			
4	M41730539	ANTI CLOGGING	ANTI CLOGGING3°PUNTO			
5	M41735539	ANTI CLOGGING	ANTI CLOGGING3°PUNTO			
6	M41720539	ANTI CLOGGING	ANTI CLOGGINGRA ANTI-CLOGGING			
7	M41727594	PIATTO CHIUSURA ANTI-CLOGGING	ANTI CLOGGING LOCKING PLATE82			
8	M41730594	PIATTO CHIUSURA ANTI-CLOGGING	ANTI CLOGGING LOCKING PLATE32			
9	M41735594	PIATTO CHIUSURA ANTI-CLOGGING	ANTI CLOGGING LOCKING PLATE159			
10	M41720594	PIATTO CHIUSURA ANTI-CLOGGING	ANTI CLOGGING LOCKING PLATE07			

# TAV.190

## VOMERINO A DISCO SIDE DISC

## ROMPITRACCIA A DELTA DELTA TRACK ERADICATOR



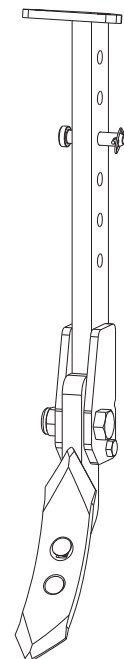
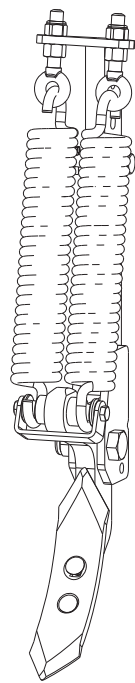
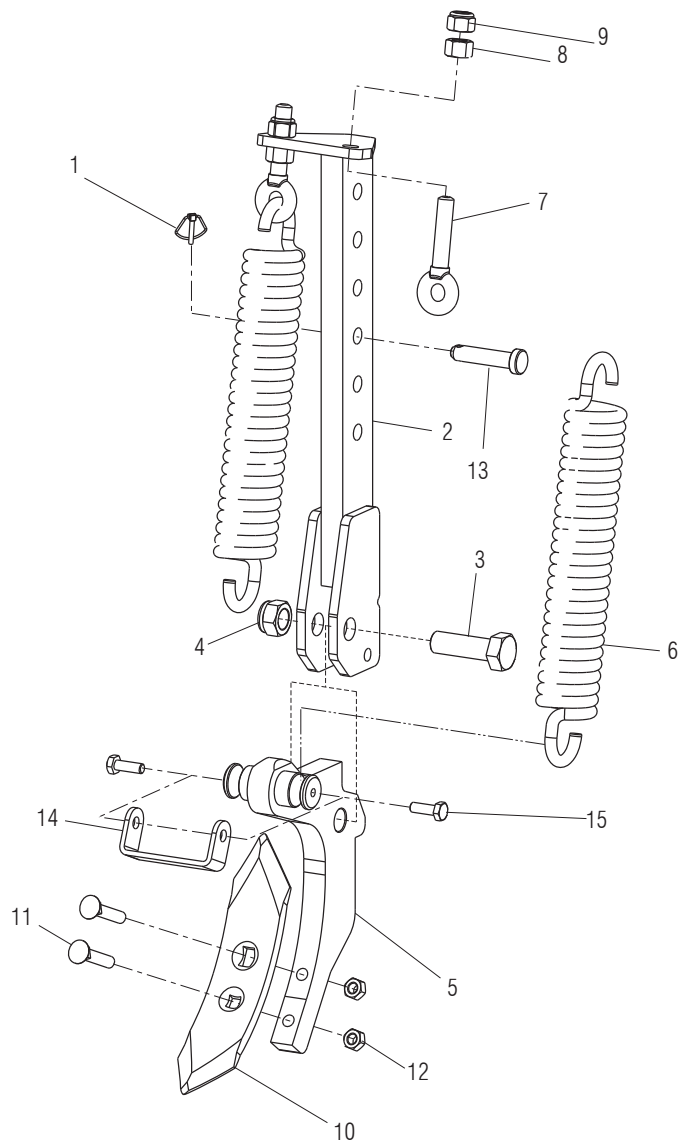


**VOMERINO A DISCO E ROMPITRACCIA A "DELTA" OPTIONAL  
OPTIONAL SIDE DISC AND "DELTA" TRACK ERADICTOR**

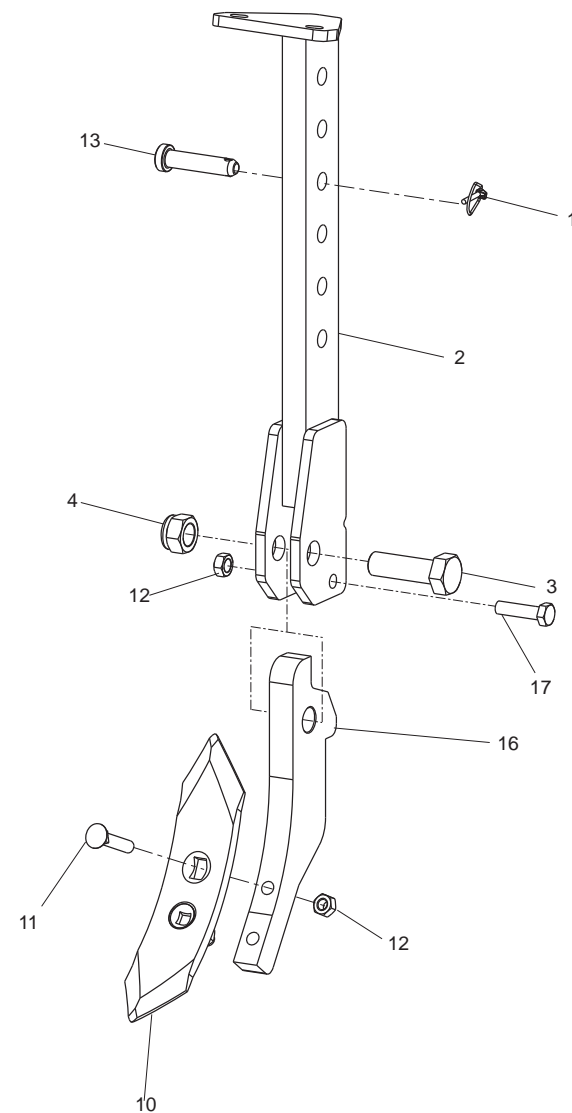
**TAV.190**

Pos.	Cod.	Descrizione	Description	Benennung	Description	Description
1	M56400608	COMP. BRACCIO SUPP.VOMERINO SX	LF PLOUGHSHARE SUPPORTD.275 >			
2	M66100702	COMP. SUPP. CON REG. VOMERINI	ADJUSTER	REGISTRE	REGULIERUNG	REGISTRO
3	M66100705	COMP. SUPPORTO VOMERINI	SUPPORT	SUPPORT	HALTER	SOPORTE
4	M65400208	DISCO D.460 BOMBATO 9 DENTI	DISC PRE 460X4 98X4 M12 C9	DISQUE PRE 460X4 98X4 M12 C9	SCHIEBE PRE 460X4 98X4 M12 C9	DISCO PRE 460X4 98X4 M12 C9
5	M26100734	FERMO DI SICUREZZA	LOCK	ARRET	BLOCKIERUNG	PARADO
6	F01220022	DADO M8X1,25 D980 8ZN	NUT M8X1,25 D980 8ZN	ECROU M8X 1,25 D980 8 ZN	MUTTER M8X 1,25 D980 8 ZN	TUERCA M8X 1,25 D980 8 ZN
7	F01030055	VITE M8X1,25X20 U5933 10.9ZD>	SCR. M8X1,25X20 U5933 10.9ZD	VIS M 8X20	SCHRAUBE M 8X20	TORNILLO M 8X20
8	F01010279	VITE M12X1,25X20 U5740 8.8ZN	SCR. M12X1,25X20 U5740 8.8ZN	VIS M12X1,25X20 U5740 8.8 ZN	SCHRAU.M12X1,25X20 U5740 8.8ZN	TORNI.M12X1,25X20 U5740 8.8 ZN
9	F01480123	ROS.G 12.5X22,9X 4 FLZNNC-240H	WASHER M12 ZGP EXTRA P.	RONDELLE M12 ZGP EXTRA P.	UNTERLEGSCHIEBE M12 ZGP EXTRA	ARANDELA M12 ZGP EXTRA P.
10	F20110790	CAVALLOTTO M16X145 INT.98 ZN	U BOLT M16X145 AXLE SPA. 98 ZN	ATTELAGE U M16X145 INT.98 ZN	U BOLZEN M16X145 INT.98 ZN	TORN. U M16X145 INT.98 ZN
11	F01220266	DADO M16X2 D980 8ZN	NUT M16X2 D980 8ZN	ECROU M16X 2 D980 8 ZN	MUTTER M16X 2 D980 8 ZN	TUERCA M16X 2 D980 8 ZN
12	F20110810	CAV.R.B=120H=80 M=16X2 L=115	U BOLT R.B=120H=80 M16X2 L=115			
13	F20100022	PERNO D16 L86 C43 TEST.D35 ZN	PIN FOR BAR LINKAGE	GOUJON ATTELAGE BARRE	VERB.BOLZEN SCHUTZHOLM	PERNO ATAQUE BARRA
14	F02200485	SPINA SCATTO D.6 SPEC. ZN	SNAP PIN D.6 ZN	GOUPILLE D.6	SPLINT D.6	RODETE D.6
15	F06160015	MOZZO SKF AGRI HUB BAA-0004 >	HUB SKF AGRI HUB BAA-0004	MOYEU SKF AGRI HUB BAA-0004	KEILNABE SKF AGRI HUB BAA-0004	CUBO SKF AGRI HUB BAA-0004
16	F01410135	ROS.M22 23X 39X 3 U6592 ZN >	WASHER M22 23X 39X 3 U6592 ZN	ROND. M22 23X 39X3 U6592 ZN	SCHEI. M22 23X 39X3 U6592 ZN	ARANDELLA M22 23X39X3 U6592 ZN
17	F01230269	DADO M22X1,5 D985 CL8 ZN >	NUT M22X1,5 D985 6S ZN	ECROU AUTOBL.M22X1,5 D985 6SZN	SELBST.MUTT.M22X1,5 D985 6S ZN	DADO AUTOBL.M22X1,5 D985 6S ZN
18	M09400744	PROT.ANT.VOMERINO 25°	PLOUGHSHARE FRONT SAFETY GUARD			
19	M56400607	COMP. BRACCIO SUPP.VOMERINO DX	RX PLOUGHSHARE SUPPORT			
20	M35400602	COMP.SUPP.ANCORA ROMPITRACCIA	WHEEL TRACK ERADIC.SUB.SUPPORT			
21	M12400612	MOLLA	SPRING			
22	M12400607	TIRANTE M16	STRETCHER	TENDEUR	VERSTAERKUNGSROHR	SENSOR
23	F01200110	DADO M16X2 U5587 CL8 ZN 6.8ZN	NUT M16X2 U5587 6.8ZN	ECROU M16	MUTTER M16	TUERCA M16
24	F01230085	DADO M16X2 D982 10ZN >	NUT M16X2 D982 8ZN	ECROU M16X2 D982 8ZN	MUTTER M16X2 D982 8ZN	TUERCA M16X2 D982 8ZN
25	F20100021	PERNO D16 L70 C40 TEST.D25 ZN	PIN D16 L70 C40 TEST.D25 ZN			
26	M73400635	ANCORA A DELTA	DELTA SUBSOILER			
27	M73400626	SUPPORTO ANCORA	SUPPORT			
28	F02100179	SPINA E.P. 12X 40 U6873 C70 BR	ELASTIC PIN 12X40	GOUJON 12X40	BOLZEN 12X40	ESPINA 12X40
29	F01010398	VITE M22X1,5X70 U5740 8.8ZN	SCR. M22X1,5X70 U5740 8.8ZN	VIS M22X1,5X 70 U5740 8.8 ZB	SCHR.M22X1,5X 70 U5740 8.8 ZB	TORN.M22X1,5X 70 U5740 8.8 ZB
30	M73400637	PROTEZIONE MOLLE	SAFETY SPRING			
31	F01020476	VITE M10X1,5X30 U5739 8.8ZN >	SCR. M10X1,5X30 U5739 8.8ZN	VIS M10X1,5X30 U5739 8.8 ZN	SCHRAUBE M10X1,5X30U5739 8.8ZN	TORNIL.M10X1,5X30 U5739 8.8 ZN

**ROMPITRACCIA A MOLLE  
TRACK ERADICATOR SAFETY SPRIGS**



**ROMPITRACCIA A BULLONE DI TRANCIO  
TRACK ERADICATOR SAFETY SHEAR BOLT**

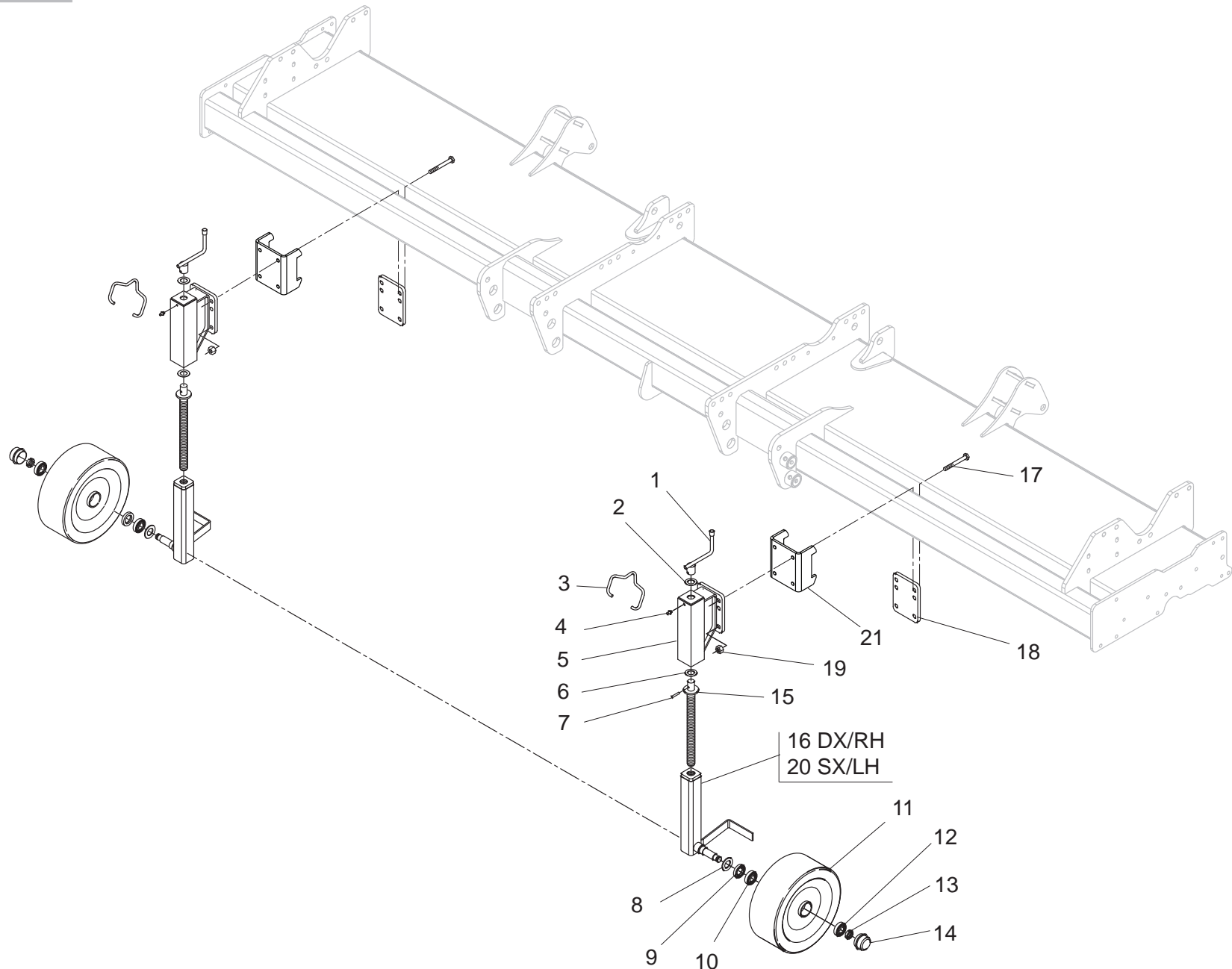


**ROMPIRACCIA OPTIONAL  
OPTIONAL TRACK ERADICTORS**

**TAV.200**

Pos.	Cod.	Descrizione	Description	Benennung	Description	Descripcion
1	F02200452	SPINA SCATTO D.4,4 B/80 ZN >	SNAP PIN D4.4 B/80 ZN	FICHE A DETENTE D4.4 B/80 ZN	EINRASTSTIFT D4.4 B/80 ZN	CLAVIJA DE MUELLE D4,4 B/80 ZN
2	M35400602	COMP.SUPP.ANCORA ROMPIRACCIA	WHEEL TRACK ERADIC.SUB.SUPPORT			
3	F01010398	VITE M22X1,5X70 U5740 8.8ZN	SCR. M22X1,5X70 U5740 8.8ZN	VIS M22X1,5X 70 U5740 8.8 ZB	SCHR.M22X1,5X 70 U5740 8.8 ZB	TORN.M22X1,5X 70 U5740 8.8 ZB
4	F01230269	DADO M22X1,5 D985 CL8 ZN >	NUT M22X1,5 D985 6S ZN	ECROU AUTOBL.M22X1,5 D985 6SZN	SELBST.MUTT.M22X1,5 D985 6S ZN	DADO AUTOBL.M22X1,5 D985 6S ZN
5	M35400625	COMP.ROMPITR.X MOLLE CON PERNO	WHEEL TRACK ERADICATOR SPRINGS			
6	M12400612	MOLLA	SPRING			
7	M12400607	TIRANTE M16	STRETCHER	TENDEUR	VERSTAERKUNGSROHR	SENSOR
8	F01200110	DADO M16X2 U5587 CL8 ZN 6.8ZN	NUT M16X2 U5587 6.8ZN	ECROU M16	MUTTER M16	TUERCA M16
9	F01230085	DADO M16X2 D982 10ZN >	NUT M16X2 D982 8ZN	ECROU M16X2 D982 8ZN	MUTTER M16X2 D982 8ZN	TUERCA M16X2 D982 8ZN
10	F20120009	VOMERINO	PLOWSHARE			
11	F01030117	KIT V.M12X1,75X60 U6104 8.8ZN	KIT M12X1,75X60	VIS M12X1,75X60	SCHRAUBE M12X1,75X60	TORNILLO M12X1,75X60
12	F01220048	DADO M12X1,75 D980 8ZN	NUT M12X1,75 D980 8ZN	ECROU M12X1,75 D980 8 ZN	SCHEIBE M12X1,75 D980 8 ZN	TUERCA M12X1,75 D980 8 ZN
13	F20100021	PERNO D16 L70 C40 TEST.D25 ZN	PIN D16 L70 C40 TEST.D25 ZN			
14	M73400637	PROTEZIONE MOLLE	SAFETY SPRING			
15	F01020476	VITE M10X1,5X30 U5739 8.8ZN >	SCR. M10X1,5X30 U5739 8.8ZN	VIS M10X1,5X30 U5739 8.8 ZN	SCHRAUBE M10X1,5X30U5739 8.8ZN	TORNIL.M10X1,5X30 U5739 8.8 ZN
16	M35400624	ROMPIRACCIA LATERALE	LATERAL WHEEL TRACK ERADICATOR			
17	F01020160	VITE M12X1,75X60 U5737 8.8ZN>	SCR. M12X1,75X60 U5737 8.8ZN	VIS M12X1,75X60 U5737 8.8 ZN	SCHRA.M12X1,75X60 U5737 8.8 ZN	TORN. M12X1,75X60 U5737 8.8 ZN

**TAV.210**

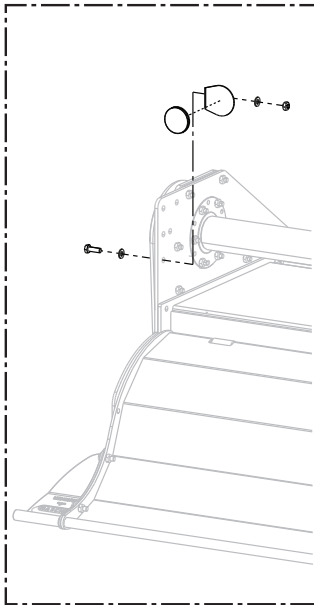
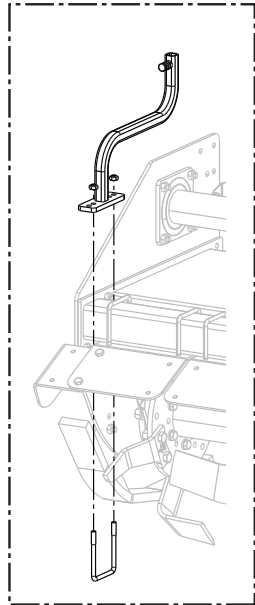
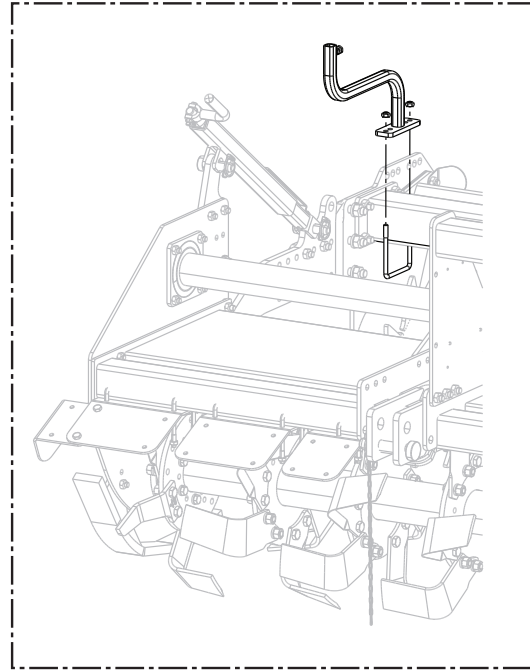
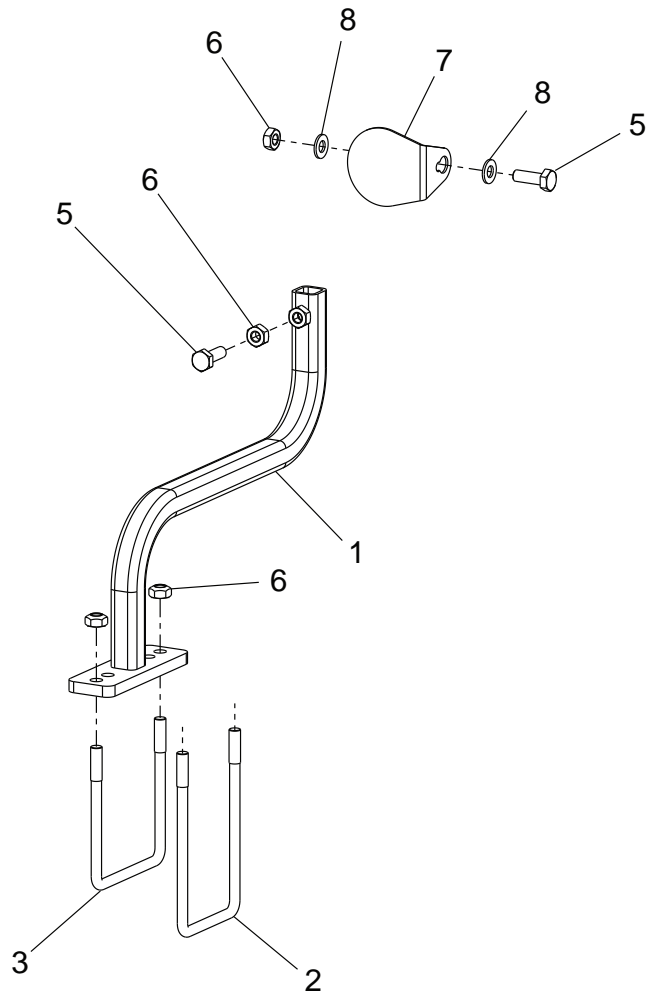


**RUOTE DI PROFONDITA' OPTIONAL  
OPTIONAL DEPTH WHEELS**

**TAV.210**

Pos.	Cod.	Descrizione	Description	Benennung	Description	Descripcion
1	M20100813	MANIGLIA "RIMA"	HANDLE	POIGNEE	HANDGRIFF	MANILLA
2	M20100814	ROSETTA D.40X25X1 INOX "RIMA"	WASHER	ROSETTE	SCHEIBE	ARANDELLA
3	M20100811	MOLLA FERMO MANOVELLA "RIMA"	SPRING	RESSORT	ARRETIERUNGSRING	MUELLE
4	F01100035	ING.M 8X1 7663-A 9SMNPB28 ZN >	GREASE NIPPLE M8X1	GRAISSEUR M8X1	SCHMIERBUCHSE M8X1	ENGRASADOR M8X1
5	M72100729	COMP.SUPPORTO RUOTE X G2	WHEEL SUPPORT	SUPPORT ROUES	RAEDER HALTER	SOPORTE RUEDA
6	M20100814	ROSETTA D.40X25X1 INOX "RIMA"	WASHER	ROSETTE	SCHEIBE	ARANDELLA
7	M20100812	SPINA D.6 "RIMA"	PIN	GOUJON	BOLZEN	ESPINA
8	M72100710	DISTANZIALE	SPACER	ENTRETOISE	DISTANZSTUECK	DISTANCIADOR
9	F03010086	ANELLO T.A 35X 62X 8 D3760NBR	OIL SEAL 35X62X8	PARE-HUILE 35X62X8	OELABDICHTUNG 35X62X8	PARA-ACEITE 35X62X8
10	F04010173	CUSC.D30 D62 B16 6206 1RS >	BEARING D30 D62 B16 6206 1RS	ROULEMENT 6206 2RS	LAGER 6206 2RS	COJINETE 6206 2RS
11	M72100778	RUOTA D.400 X 150	WHEEL D.400X150	ROUE D.400X150	RAD D.400X150	RUEDA D.400X150
12	F04010210	CUSC.D25 D62 B17 6305 2RS	BEARING 6305 2RS	ROULEMENT 6305 2RS	LAGER 6305 2RS	COJINETE 6035 2RS
13	F02010011	GHIERA AU.GUK M25X1,5 T.4H ZN	SELF LOCKING NUT	COLLIER AUTOBL.	SELBSTSP. NUTMUTTER	VIROLA AUTOBL.
14	F06160013	CALOTTA D.62 (RIMA)	COVER	COUVERCLE	DECKEL	TAPA
15	M20100816	COMP. VITE X MARTINETTO RUOTE	TRAVERSE BOLT	VIS POUR DEPLACEMENT	VERSCHIEBUNGSSCHRAUBE	TORNILLO ALEJAMIENTO
16	M20100826	COMP. BRACCIO RUOTA DX	RIGHT WHEEL SUPPORT	SUPPORT ROUE DROITE	RAD HAELTER RECHTS	SOPORTE RUEDA DERECHO
17	F01010137	VITE M16X1,5X210 U5738 8.8ZN	SCR. M16X1,5X210 U5738 8.8ZN	VIS M 16X1,5X210	SCHRAUBE M 16X1,5X210	TORNILLO M 16X1,5X210
18	M33100598	PIASTRA	PLATE	PLAQUE DE BLOCAGE	SPERRPLATTE	PLACA BLOQUEO
19	F01220070	DADO M16X1,5 D980 10ZN	NUT M16X1,5 D980 8ZN	ECRO.M16X1,5 D980 8ZN	MUTTER M16X1,5 D980 8ZN	TUER.M16X1,5 D980 8ZN
20	M20100827	COMP. BRACCIO RUOTA SX	LEFT WHEEL SUPPORT	SUPPORT ROUE GAUCHE	RAD HAELTER LINKS	SOPORTE RUEDA IZQUIERDO
21	M41700598	PIASTRA DISTANZIALE	SPACER PLATELIVELLATRICE CENTR			

**TAV.220**

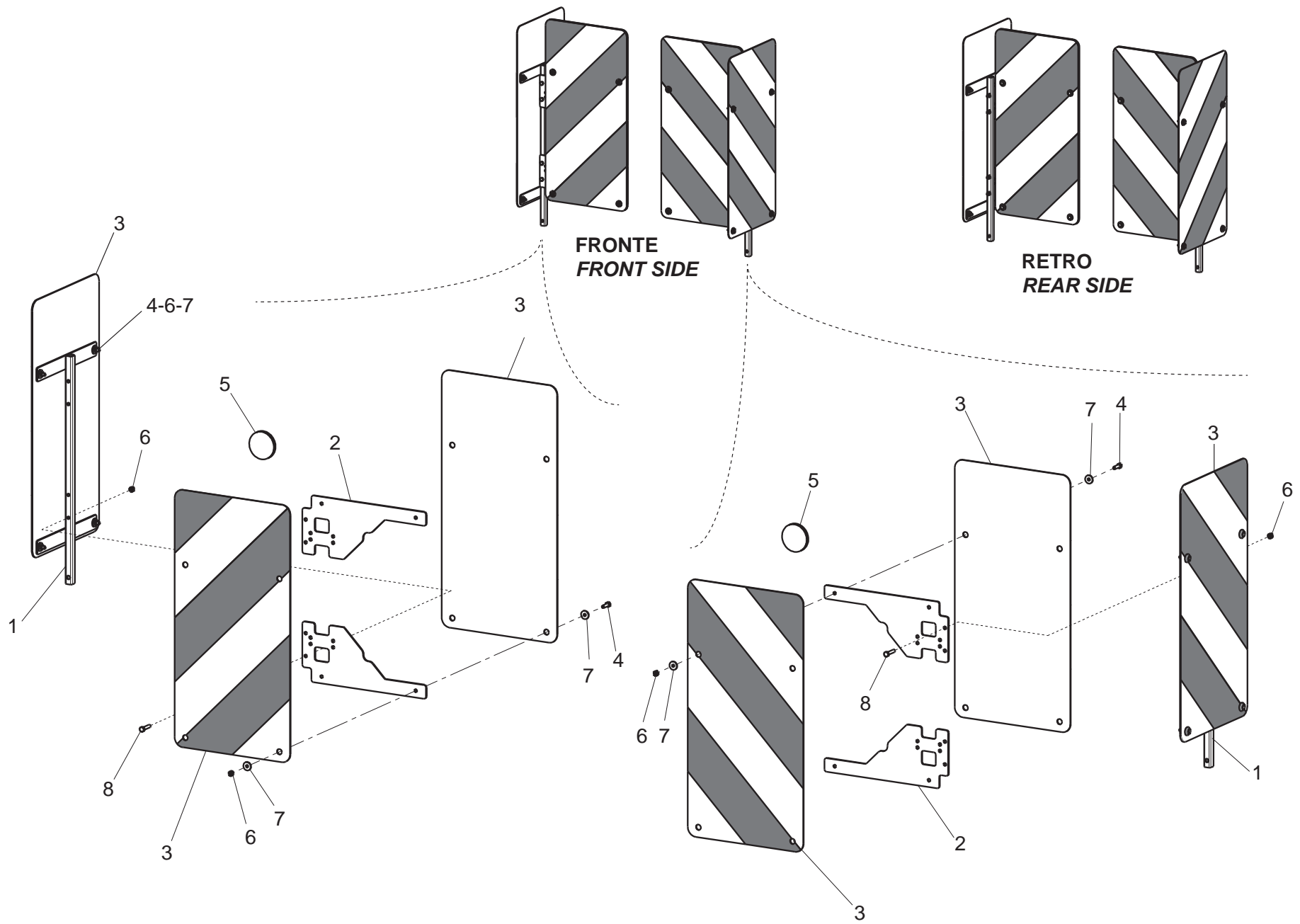


**KIT SUPPORTI PER TRASPORTO STRADALE  
ROAD TRANSPORT SUPPORTS KIT**

**TAV.220**

Pos.	Cod.	Descrizione	Description	Benennung	Description	Description
1	M26400911	SUPPORTO TABELLA INGOMBRO	LIGHT-CHART SUPPORT			
2	F20110736	CAV.R.B=80 H=140M=10X1,5 L=159	R.U BOLT B=80H=140M10X1,5L=159			
3	F20110726	CAV.Q.B=100 M=10X1,5 L=122	U BOLT M10X 1,5X 30 111X122 ZG	ATTEL.M10X 1,5X 30 111X122 ZG	VERBI.M10X 1,5X 30 111X122 ZG	PERNO M10X 1,5X 30 111X122 ZG
4	F01220033	DADO M10X1,5 D980 8ZN	NUT M10X1,5 D980 8ZN	ECROU M10X1,5 D980 8ZN	MUTTER M10X1,5 D980 8ZN	TUERCA M10X1,5 D980 8ZN
5	F01020476	VITE M10X1,5X30 U5739 8.8ZN >	SCR. M10X1,5X30 U5739 8.8ZN	VIS M10X1,5X30 U5739 8.8 ZN	SCHRAUBE M10X1,5X30U5739 8.8ZN	TORNIL.M10X1,5X30 U5739 8.8 ZN
6	F01200270	DADO M10X1,5 U5588 CL8 ZN >	NUT M10X1,5 U5588 6.8ZN	ECROU M10X 1,5 U5588 6.8 ZN	MUTTER M10X 1,5 U5588 6.8 ZN	TUERCA M10X 1,5 U5588 6.8 ZN
7	M28400701	SUPPORTO CATADIOTTRO	SUPPORT REFLECTOR			
8	F01410064	ROS.M10 10,5X 20X 2 U6592 ZN >	WASHER M10 10,5X20X2 U6592 ZN	RONDEL. M10 10,5X20X2 U6592 ZN	SCHEIBE M10 10,5X20X2 U6592 ZN	ARANDEL.M10 10,5X20X2 U6592 ZN

**TAV.230**



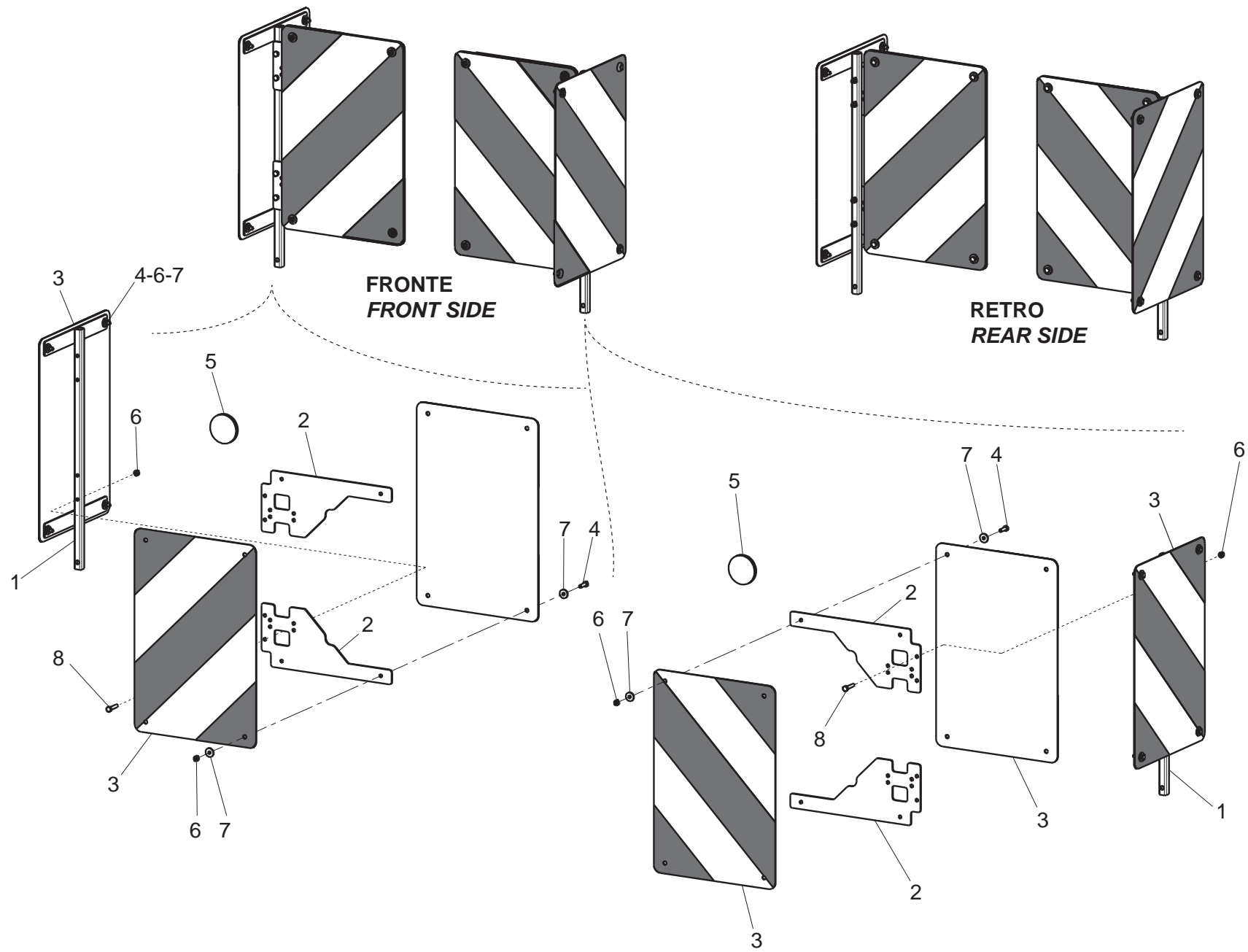


**KIT TABELLE STRADALI G99600006**  
**ROAD TRANSPORT KIT G99600006**

**TAV.230**

Pos.	Cod.	Descrizione	Description	Benennung	Description	Description
1	G16612070	TELAIO SUPP.TABELLE STRAD.	FRAME SUPPORT TABLE			
2	M04700558	SUPPORTO TABELLA INGOMBRO	LIGHT-CHART SUPPORT			
3	F05010816	TABELLE (2)CAR.SPORGENTI IT	WARNING BOARDS (2) IT			
4	F01020404	VITE M6X1X20 U5739 8.8ZN	SCREW M6X1X20 U5739 8.8ZN	VIS M6X1X20 U5739 8.8ZN	SCHRAUBE M6X1X20 U5739 8.8ZN	TORNILLO M6X1X20 U5739 8.8ZN
5	F05010820	CATARIFR.TONDO D60 ROSSO >	ROUND REFLECTOR D.60 RED			
6	F01220011	DADO M6X1 D980 8ZN >	NUT M6X1 D980 8ZN	ECROU M6X1 D980 8 ZN	MUTTER M6X1 D980 8 ZN	TUERCA M6X1 D980 8 ZN
7	F01420036	ROS.M6 6,4X 18X1,5 U6593 ZN	WASHER M6 6,4X 18X1,5 U6593 ZN	RONDELLE M6 6,4X18X1,5 U6593ZN	SCHEIBEN M6 6,4X18X1,5U6593 ZN	ARANDELA M6 6,4X18X1,5U6593ZN
8	F01020408	VITE M6X1X30 U5739 8.8ZN	SCR. M6X1X30 U5739 8.8ZN	VIS M 6X1X30	SCHRAUBE M 6X1X30	TORNILLO M 6X1X30

**TAV.240**

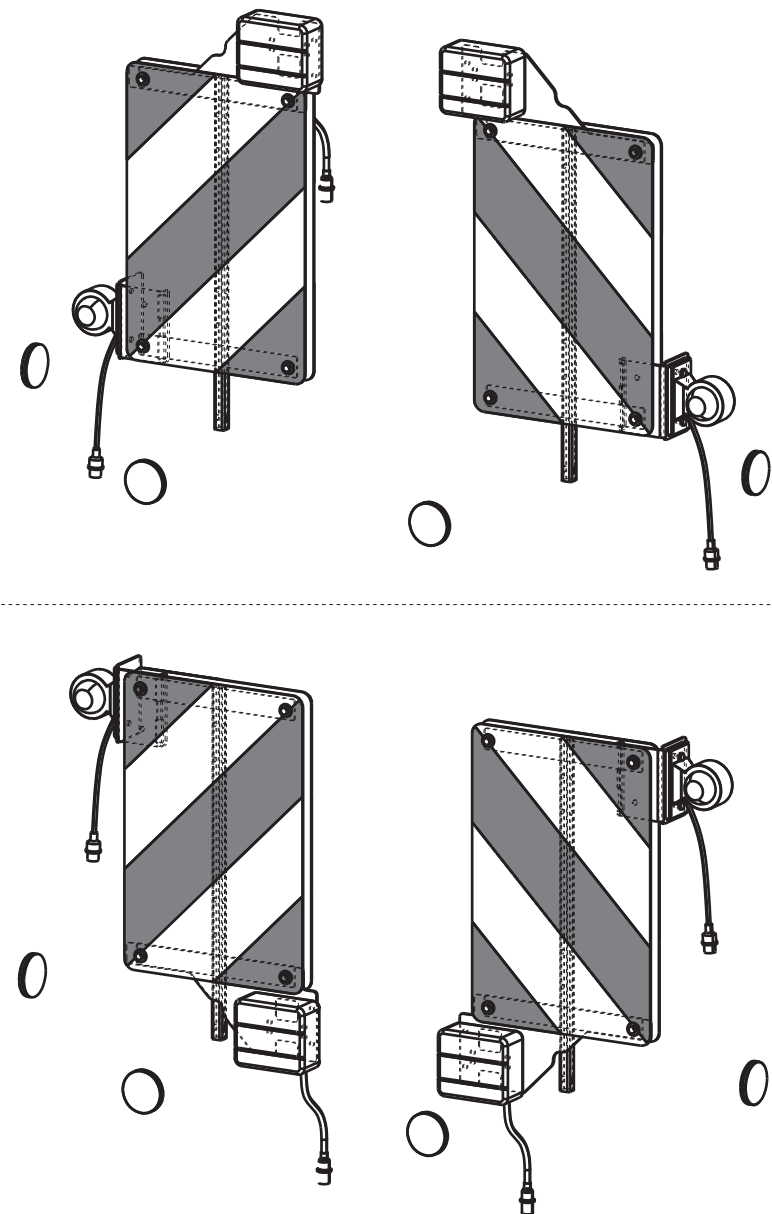
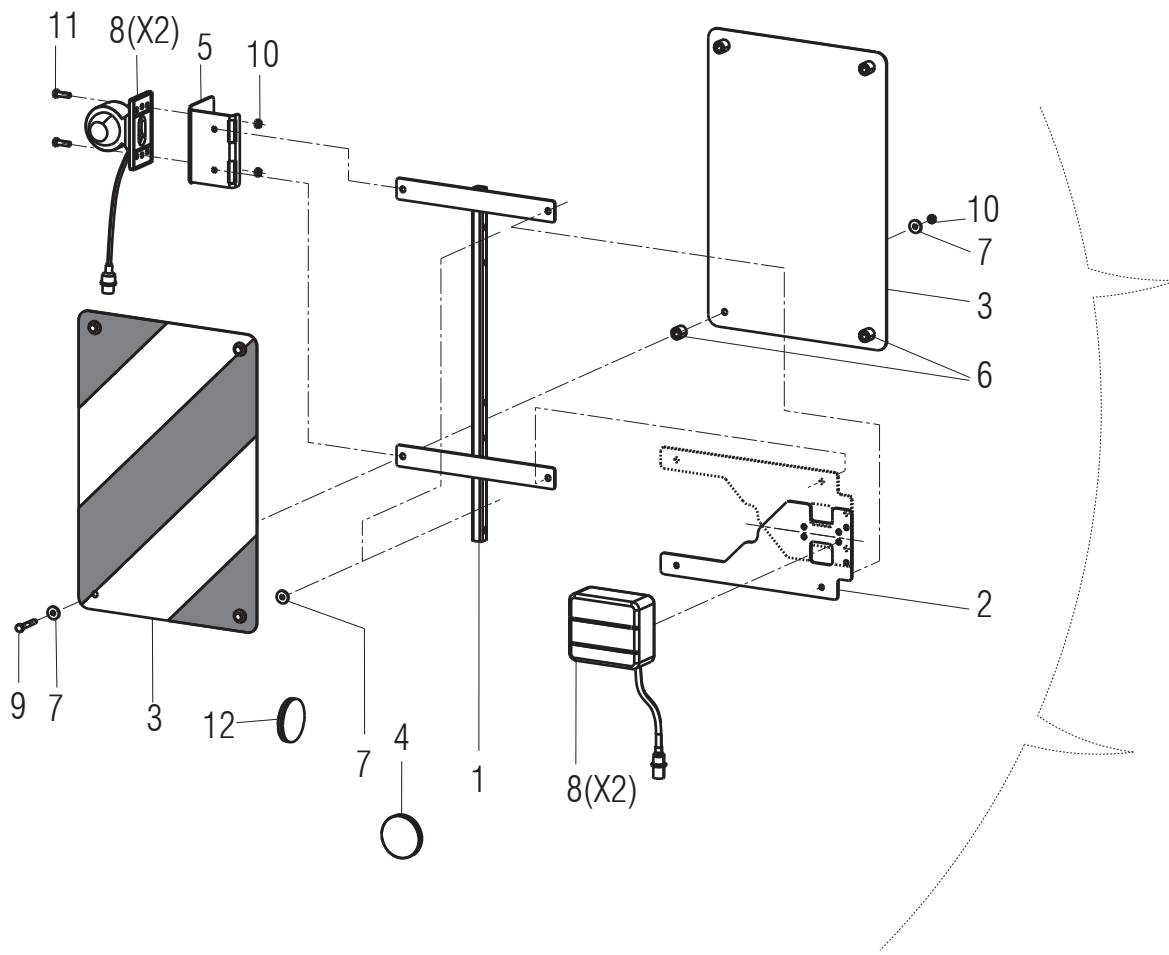


**KIT TABELLE STRADALI G99600017**  
**ROAD TRANSPORT KIT G99600017**

**TAV.240**

Pos.	Cod.	Descrizione	Description	Benennung	Description	Description
1	G16612070	TELAIO SUPP.TABELLE STRAD.	FRAME SUPPORT TABLE			
2	M04700558	SUPPORTO TABELLA INGOMBRO	LIGHT-CHART SUPPORT			
3	F05010817	TABELLE (2)CAR.SPORGENTI FR-D>	WARNING BOARDS (2) FR-DE	TABLEAUX (2)AVERTISSEM. FR-DE	BRETT (2) WARNUNG FR-DE	TABLAS (2)CAR.ADVERT. FR-DE
4	F01020404	VITE M6X1X20 U5739 8.8ZN	SCREW M6X1X20 U5739 8.8ZN	VIS M6X1X20 U5739 8.8ZN	SCHRAUBE M6X1X20 U5739 8.8ZN	TORNILLO M6X1X20 U5739 8.8ZN
5	F05010820	CATARIFR.TONDO D60 ROSSO >	ROUND REFLECTOR D.60 RED			
6	F01220011	DADO M6X1 D980 8ZN >	NUT M6X1 D980 8ZN	ECROU M6X1 D980 8 ZN	MUTTER M6X1 D980 8 ZN	TUERCA M6X1 D980 8 ZN
7	F01420036	ROS.M6 6,4X 18X1,5 U6593 ZN	WASHER M6 6,4X 18X1,5 U6593 ZN	RONDELLE M6 6,4X18X1,5 U6593ZN	SCHEIBEN M6 6,4X18X1,5U6593 ZN	ARANDELA M6 6,4X18X1,5U6593ZN
8	F01020408	VITE M6X1X30 U5739 8.8ZN	SCR. M6X1X30 U5739 8.8ZN	VIS M 6X1X30	SCHRAUBE M 6X1X30	TORNILLO M 6X1X30

# TAV.250



**KIT TABELLE STRADALI G99600018  
ROAD TRANSPORT KIT G99600018**

**TAV.250**

Pos.	Cod.	Descrizione	Description	Benennung	Description	Description
1	G16612070	TELAIO SUPP.TABELLE STRAD.	FRAME SUPPORT TABLE			
2	M04700558	SUPPORTO TABELLA INGOMBRO	LIGHT-CHART SUPPORT			
3	F05010817	TABELLE (2)CAR.SPORGENTI FR-D>	WARNING BOARDS (2) FR-DE	TABLEAUX (2)AVERTISSEM. FR-DE	BRETT (2) WARNUNG FR-DE	TABLAS (2)CAR.ADVERT. FR-DE
4	F05010820	CATARIFR.TONDO D60 ROSSO >	ROUND REFLECTOR D.60 RED			
5	M04700563	SUPPORTO LUCE D'INGOMBRO	SUPPORT LIGHT OVERALL			
6	G18803050	BOCCOLA 8,5X16X16 PL	BUSHING 8,5X16X16 PL			
7	F01420036	ROS.M6 6,4X 18X1,5 U6593 ZN	WASHER M6 6,4X 18X1,5 U6593 ZN	RONDELLE M6 6,4X18X1,5 U6593ZN	SCHEIBEN M6 6,4X18X1,5U6593 ZN	ARANDELA M6 6,4X18X1,5U6593ZN
8	F05010833	KIT LUCI POST.STRAD.ECCEZ. >	KIT REAR ROAD LIGHTS M.EXCEP.			
9	F01020040	VITE M6X1X40 U5737 8.8ZN	SCR. M6X1X40 U5737 8.8ZN	VIS M6X1X40 U5737 8.8ZN	SCHRAU. M6X1X40 U5737 8.8ZN	TORNI. M6X1X40 U5737 8.8ZN
10	F01220011	DADO M6X1 D980 8ZN >	NUT M6X1 D980 8ZN	ECROU M6X1 D980 8 ZN	MUTTER M6X1 D980 8 ZN	TUERCA M6X1 D980 8 ZN
11	F01020404	VITE M6X1X20 U5739 8.8ZN	SCREW M6X1X20 U5739 8.8ZN	VIS M6X1X20 U5739 8.8ZN	SCHRAUBE M6X1X20 U5739 8.8ZN	TORNILLO M6X1X20 U5739 8.8ZN
12	F05010819	CATARIFR.TONDO D60 GIALLO >	ROUND REFLECTOR D.60 YELLOW	JAUNE RÉFLECTEUR ROUND	RUNDFLEKTOR GELB D60	REFLECTOR REDONDO AMARILLO

# TAV.260

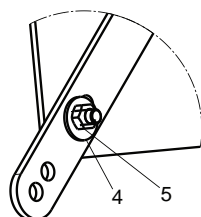
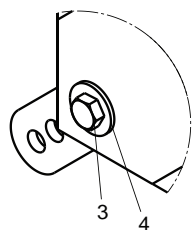
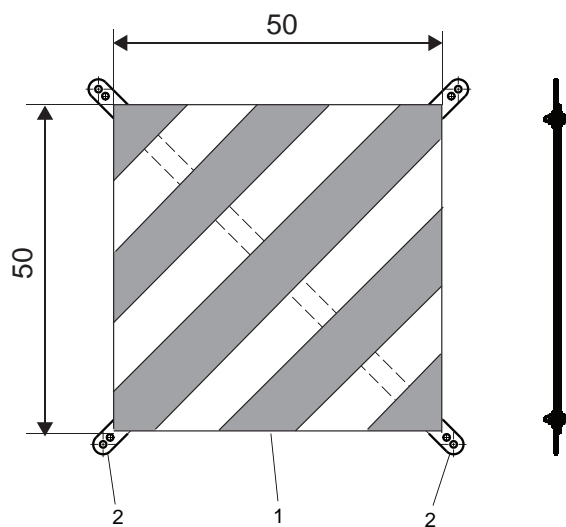
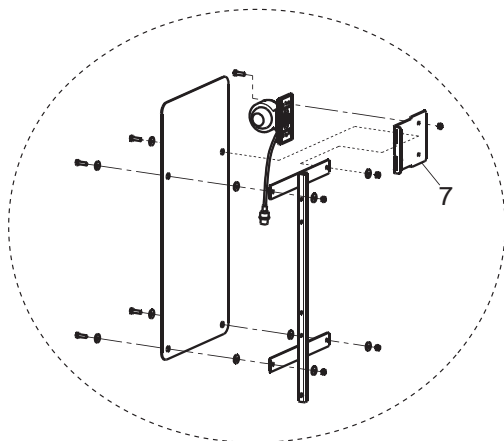
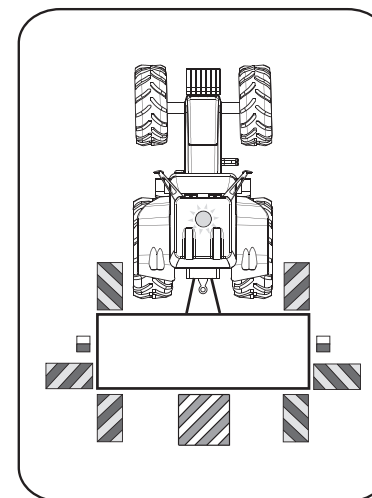
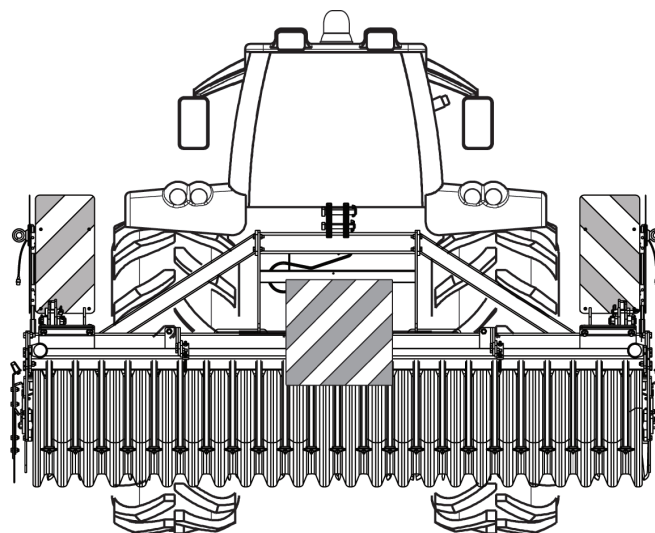


TABELLA SUPPLEMENTARE **G300, G350, G420**  
CONSULTARE LIBRETTO USO E MANUTENZIONE.  
(PER IL MONTAGGIO VEDERE ANCHE L'ESPLOSO DEL KIT G99600006)

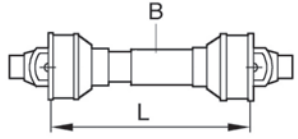

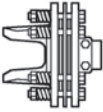



**KIT TABELLE STRADALI G99600032  
ROAD TRANSPORT KIT G99600032**

**TAV.260**

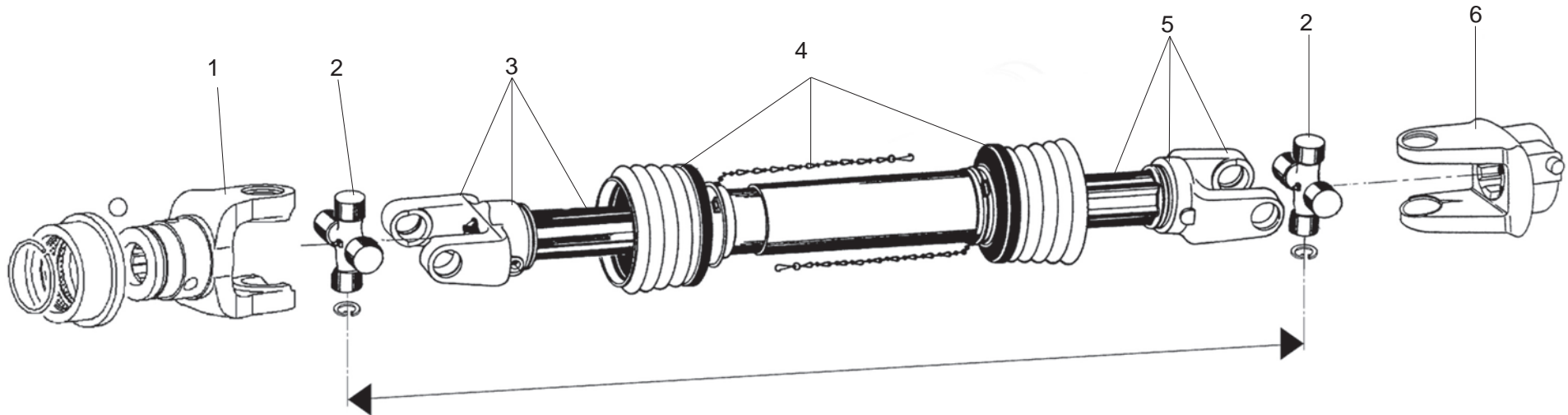
Pos.	Cod.	Descrizione	Description	Benennung	Description	Description
1	F05011000	TABELLA CAR. SPORGENTI 500X500	WARNING BOARD 500X500			
2	M75400043	SUPPORTO TAB.CAR.SPORG.500X500	SUPPORT FOR PANEL 500X500 IT			
3	F01020440	VITE M8X1,25X25 U5739 8.8ZN >	SCR. M8X1,25X25 U5739 8.8ZN	VIS M8X1,25X25 U5739 8.8 ZN	SCHRAUBE M8X1,25X25U5739 8.8ZN	TORNIL.M8X1,25X25 U5739 8.8 ZN
4	F01420048	ROS.M8 8,4X 24X 2 U6593 ZN	WASHER M8 8,4X 24X2 U6593 ZN	RONDELLE M8 8,4X24X 2 U6593 ZN	SCHEIBEN M8 8,4X24X 2 U6593 ZN	ARANDELA M8 8,4X 24X2 U6593 ZN
5	F01220022	DADO M8X1,25 D980 8ZN	NUT M8X1,25 D980 8ZN	ECROU M8X 1,25 D980 8 ZN	MUTTER M8X 1,25 D980 8 ZN	TUERCA M8X 1,25 D980 8 ZN
6	F05150355	CORDA ELAST. + GANCIO D=8X800	ELASTIC CABLE + HOOK D8 L800			
7	M04700562	SUPPORTO LUCE D'INGOMBRO	SUPPORT LIGHT OVERALL			
8	F05010847	KIT LUCI PORT.POST.LAT.ECCEZ.	KIT REAR LIGHTS LATOUTSTANDING			

# TAV.270

			
A F08011500 - L = 860	—	—	

WALTERSCHEID

STANDARD



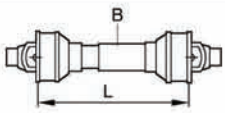





**CARDANO F08011500  
F08011500 CARDAN SHAFT**

**TAV.270**

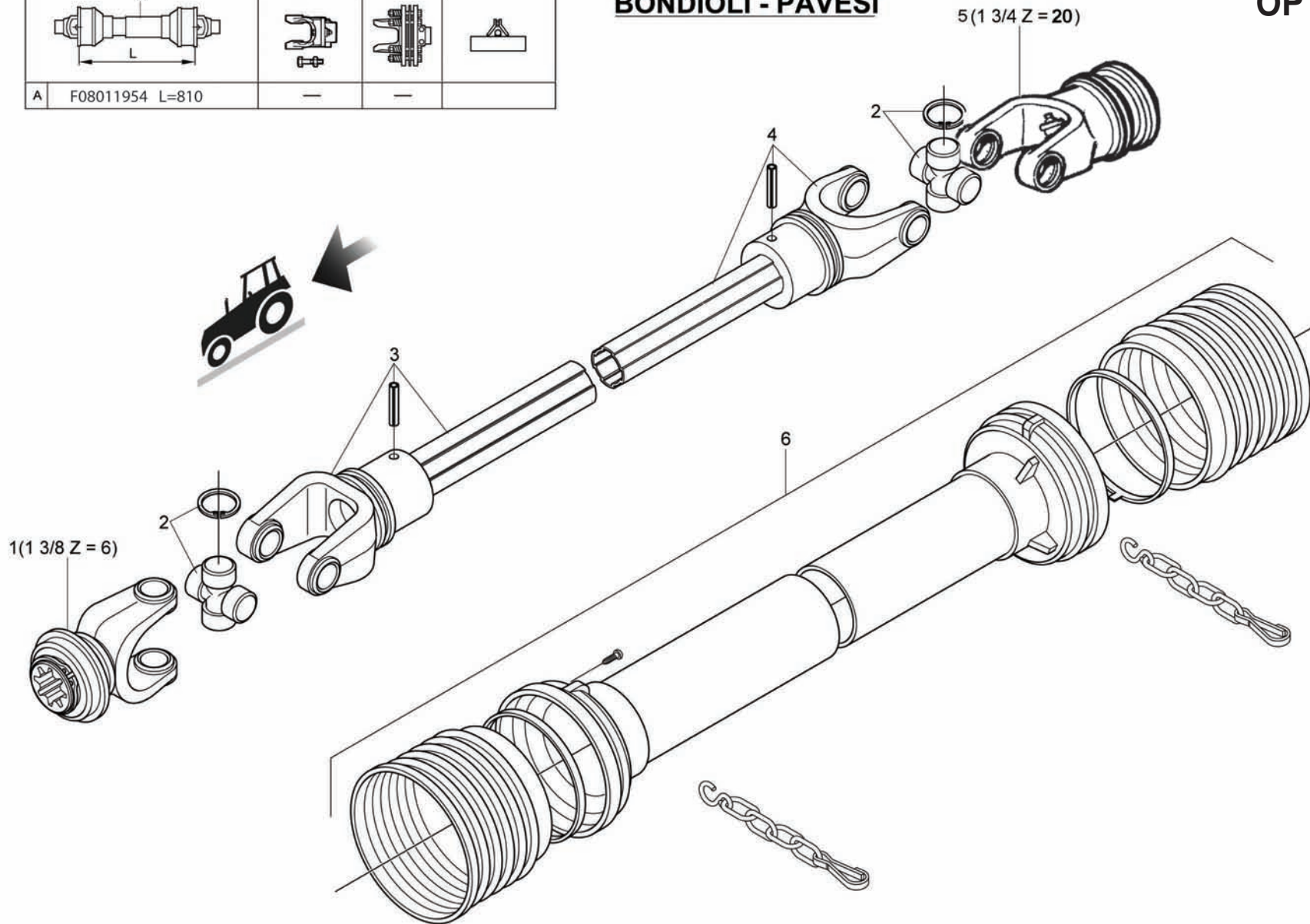
Pos.	Cod.	Descrizione	Description	Benennung	Description	Description
1	F08010461	FORC.COMPL.PULSANTE 1"3/8 Z6	COMPLETE FORK 1 3/8" Z6		GABEL 1"3/8 Z6	
2	F08010674	CROCIERA COMPLETA	SPIDER ASSY	CROISIERE COMPL.	GELENKKREUZ KOMPL.	CRUCETA COMPLETA
3	F08010659	FORCELLA CON TUBO INTERNO >	FORK WITH INTERNAL PIPE	FOURCHE AVEC TUBE INT.	GABELST. + AUSSENROHR	HORQUILLA + TUBO INT.
4	F08010860	PROTEZIONE COMPLETA	PROTECTION ASSY	PROTECTION COMPL.	KOMPL. SCHUTZ	PROTECCION COMPL.
5	F08010660	FORCELLA CON TUBO ESTERNO >	FORK WITH EXTERNAL PIPE	FOURCHE AVEC TUBE EXTERIEUR	GABELST. + AUSSENROHR	HORQUILLA + TUBO ESTERNO
6	F08010416	261802 FORCELLA 1 3/4"Z20 GKN	LINKAGE FORK 1 3/4 Z20	FOURCHE ATTELAGE 1 3/4 Z20	GABELSTUECK 1 3/4 Z20	HORQUILLA ATAQUE 1 3/4 Z20

# TAV.280

			
A F08011954 L=810	—	—	—

## BONDIOLI - PAVESI

## OPTIONAL

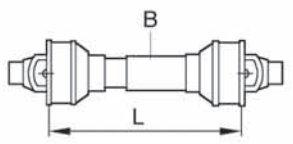
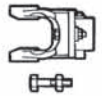
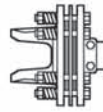



**CARDANO F08011954  
F08011954 CARDAN SHAFT**

**TAV.280**

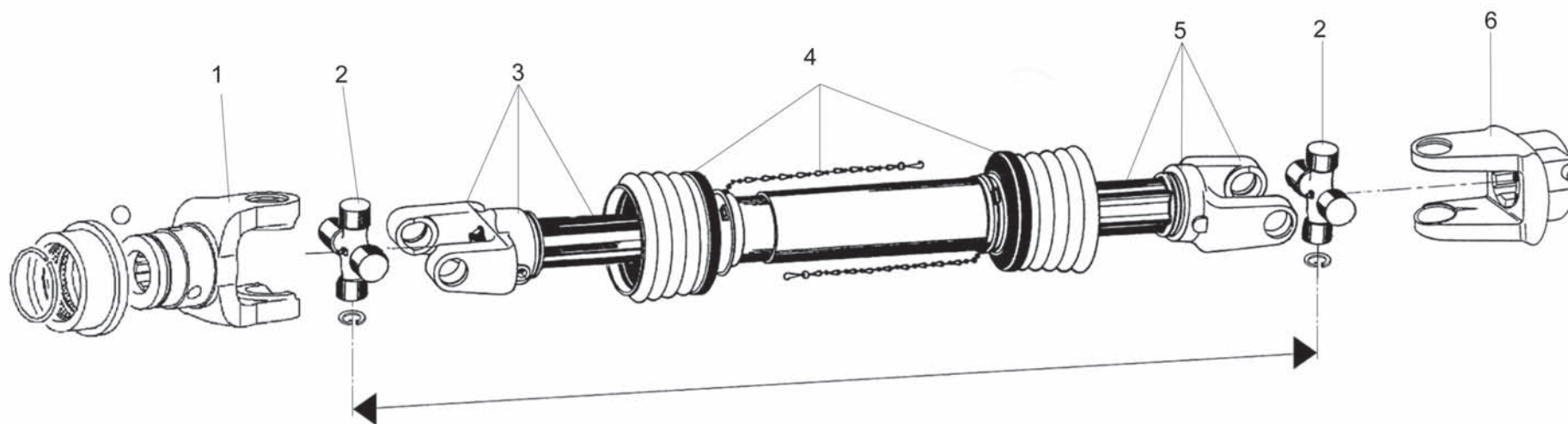
Pos.	Cod.	Descrizione	Description	Benennung	Description	Description
1	F08013043	FORC.COMPL. BO SH 3/8Z6	COMPLETE FORK 1 3/8" Z6			
2	F08010749	CROCIERA	SPIDER			
3	F08010731	FORC.COMP.TUBO EST.+SPINA SH >	FORK WITH EXTERNAL PIPE			
4	F08010732	FORC.COMP.TUBO INT.+SPINA SH >	FORK WITH INTERNAL PIPE			
5	F08013044	FORC.COMPL. BO SH 3/4Z20 RT	COMPLETE FORK 1 3/4" Z20			
6	F08010917	PROTEZIONE COMPLETA	PROTECTION ASSY			

# TAV.290

			
A	F08011256 - L = 860	—	—

WALTERSCHEID

OPTIONAL

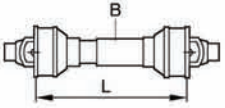





**CARDANO F08012256  
F08012256 CARDAN SHAFT**

**TAV.290**

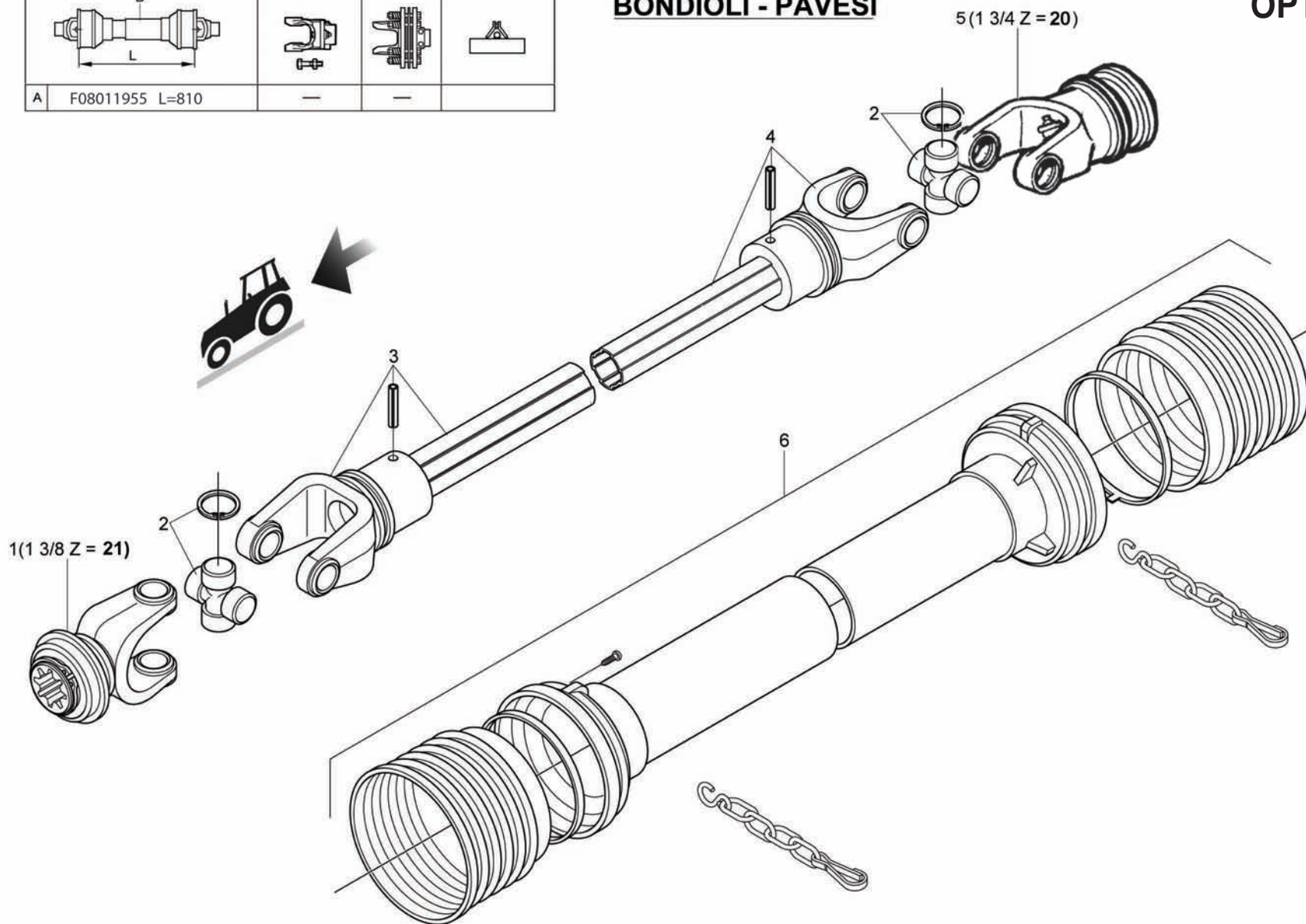
Pos.	Cod.	Descrizione	Description	Benennung	Description	Description
1	F08010183	362421 FORCELLA 1 3/8 Z21 GKN	LINKAGE FORK 1 3/8"Z21	FOURCHE ATTELAGE 1 3/8"Z21	GABELSTUECK 1 3/8"Z21	HORQUILLA ATAQUE 1 3/8"Z21
2	F08012278	116496 CROCIERA COMPLETA	SPIDER ASSY			
3	F08012277	FORCELLA CON TUBO INTERNO >	FORK WITH INT.PIPE			
4	F08012280	PROTEZIONE COMPLETA >	PROTECTION COMPL.			
5	F08012279	FORCELLA CON TUBO ESTERNO >	FORK WITH EST.PIPE			
6	F08012276	329053 FORCELLA 1'3/4-20	FORK			

# TAV.300

			
A F08011955 L=810	—	—	

## BONDIOLI - PAVESI

OPTIONAL



**CARDANO F08011955  
F08011955 CARDAN SHAFT**

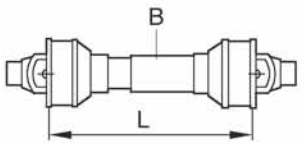
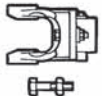
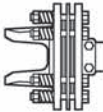
**TAV.300**

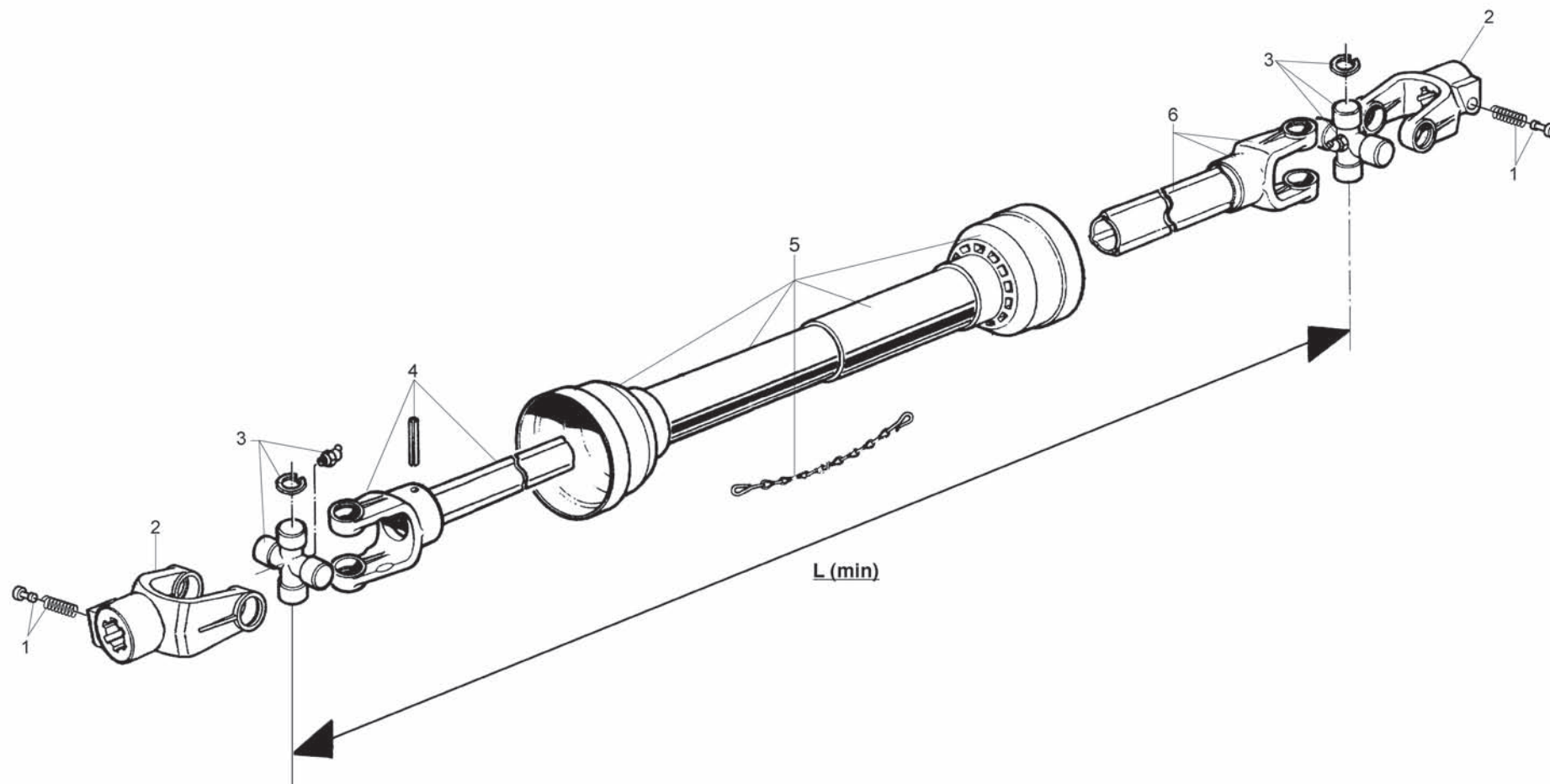
Pos.	Cod.	Descrizione	Description	Benennung	Description	Description
1	F08012271	FORCELLA 1/3-8 Z.21	FORC 1/3-8 Z.21			
2	F08010749	CROCIERA	SPIDER			
3	F08010731	FORC.COMP.TUBO EST.+SPINA SH >	FORK WITH EXTERNAL PIPE			
4	F08010732	FORC.COMP.TUBO INT.+SPINA SH >	FORK WITH INTERNAL PIPE			
5	F08013044	FORC.COMPL. BO SH 3/4Z20 RT	COMPLETE FORK 1 3/4" Z20			
6	F08010917	PROTEZIONE COMPLETA	PROTECTION ASSY			

# TAV.310

WALTERSCHEID

OPTIONAL

		
A	F08011496 - L = 870	—





**CARDANO F08011496  
F08011496 CARDAN SHAFT**

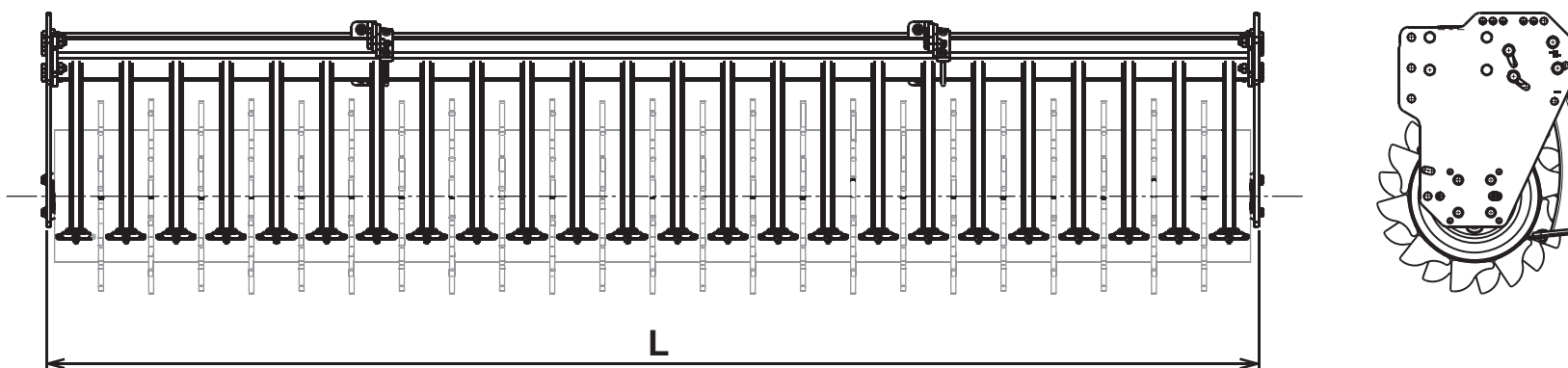
**TAV.310**

Pos.	Cod.	Descrizione	Description	Benennung	Description	Description
1	F08011168	339107 PULSANTE	YOKE PIN 339107	POUSSOIR COMPL.	DRUCKKNOPF KOMPL.	PULSADOR COMPL.
2	F08010416	261802 FORCELLA 1 3/4"Z20 GKN	LINKAGE FORK 1 3/4 Z20	FOURCHE ATTELAGE 1 3/4 Z20	GABELSTUECK 1 3/4 Z20	HORQUILLA ATAQUE 1 3/4 Z20
3	F08010674	CROCIERA COMPLETA	SPIDER ASSY	CROISIERE COMPL.	GELENKKREUZ KOMPL.	CRUCETA COMPLETA
4	F08010197	FORCELLA COMPL. ALBERO INTERNO	FORK WITH INTERNAL PIPE	FOURCHE AVEC TUBE INTERIEUR	GABELST. + INNENROHR	HORQUILLA + TUBO INTERNO
5	F08010893	PROTEZIONE COMPLETA >	PROTECTION ASSY	PROTECTION COMPL.	KOMPL. SCHUTZ	PROTECCION COMPL.
6	F08010196	FORCELLA COMPL. ALBERO ESTERNO	FORK WITH EXTERNAL SHAFT	FOURCHE AVEC TUBE EXT.	GABELST. + AUSSENROHR	HORQUILLA + TUBO EXT.

MODELLO / MODEL	L[mm]
G275	2974
G300	3220
G350	3712
G420	4450

L- RAPPRESENTA LA LARGHEZZA DEL RULLO E VIENE UTILIZZATA PER LA SELEZIONE DEI RICAMBI DEL RULLO, VEDERE IL CATALOGO RICAMBI RULLI ALLEGATO.

L- IT DESCRIBES THE ROLLER WIDTH, AND IT IS UTILIZED FOR THE SELECTION OF THE ROLLER SPARE PARTS SEE ROLLERS SPARE PARTS CATALOGUE ENCLOSED.





**USATE SEMPRE RICAMBI ORIGINALI  
ALWAYS USE ORIGINAL SPARE PARTS  
IMMER DIE ORIGINAL-ERSATZTEILE VERWENDEN  
EMPLOYEZ TOUJOURS LES PIECES DE RECHANGE ORIGINALES  
UTILIZAR SIEMPRE REPUESTOS ORIGINALES**



**Servizio Assistenza Tecnica - After Sales Service**

**+39 049 9289960**

**+39 049 9289836**

**Servizio Ricambi - Spare Parts Service**

**+39 049 9289888**

DEALER:



**MASCHIO GASPARDO SpA**

**Registered Office and Production Plant**

Via Marcello, 73 - 35011 Campodarsego (Padova) - Italy

Tel. +39 049 9289810

Fax +39 049 9289900

info@maschio.com

www.maschionet.com

**MASCHIO DEUTSCHLAND GMBH**

Äußere Nürnberger Straße 5

D - 91177 Thalmässing - Deutschland

Tel. +49 (0) 9173 79000

Fax +49 (0) 9173 790079

dialog@maschio.de

www.maschionet.de

**MASCHIO FRANCE Sarl**

1 rue Denis Papin ZA

F - 45240 La Ferte St. Aubin

France

Tel. +33 (0) 2.38.64.12.12

Fax +33 (0) 2.38.64.66.79

info@maschio.fr

**000 МАСКИО-ГАСПАРДО РУССИЯ**

Улица Пушкина, 117 Б

404126 Волжский

Волгоградская область

Тел. +7 8443 203100

факс. +7 8443 203101

info@maschio.ru

**MASCHIO GASPARDO SpA**

**Production Plant**

Via Mussons, 7 - 33075 Morsano al Tagliamento (PN) - Italy

Tel. +39 0434 695410

Fax +39 0434 695425

info@gaspardo.it

**MASCHIO GASPARDO NORTH AMERICA Inc.**

112 3rd Avenue East

DeWitt - IA 52742

Ph. +1 563 6596400

Fax +1 563 6596404

info@maschio.us

**MASCHIO-GASPARDO ROMANIA S.R.L.**

Strada Înfrăţirii, F.N.

315100 Chisineu-Cris (Arad) -România

Tel. +40 257 307030

Fax +40 257 307040

info@maschio.ro

**MASCHIO IBERICA S.L.**

**MASCHIO-GASPARDO POLAND**

**MASCHIO-GASPARDO UCRAINA**

**GASPARDO-MASCHIO TURCHIA**

**MASCHIO-GASPARDO CINA**

**MASCHIO-GASPARDO INDIA**

**MASCHIO-GASPARDO KOREA**