

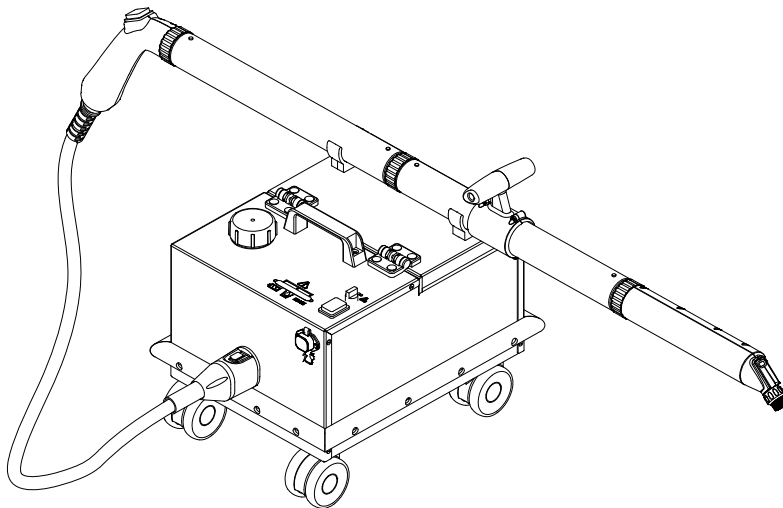
SG3 C BP

KÄRCHER

Gum Remover

Operating instructions (ENG)

MODEL: SG3 C BP
1.013-105.0



WARNING:

This product and accessories may contain a chemical known to the State of California to cause cancer and birth defects or other reproductive harm.

For more information about this regulation: www.P65Warnings.ca.gov



86414000-B 09/21/17

Model: _____

Date of Purchase: _____

Serial Number: _____

Dealer: _____

Address: _____

Phone Number: _____

Sales Representative: _____

Warranty Registration

Thank you for purchasing a Kärcher North America product. Warranty registration is quick and easy. Your registration will allow us to serve you better over the lifetime of the product.

To register your product go to :

<http://warranty.karcherna.com/>

For customer assistance:

1-800-444-7654

KÄRCHER



Machine Data Label 2
Table of Contents 3
How To Use This Manual 4

Safety

Safety Labels 5
Important Safety Instructions 6
Hazard Intensity Level 8
Technical Specifications 10
Lithium Ion Battery 12
Components 13

Operations

Pre-Run Set Up. 14
Starting the Machine 15
Removing Gum 15
Turning off the machine 15

Maintenance

Warning Indicators 16
Battery 16
Fluid 16
Rinse 16
Descale 16
Troubleshooting 17
Spare Parts - Heating assembly 20

How To Use This Manual

This manual contains the following sections:

- How to Use This Manual
- Safety
- Operations
- Maintenance
- Suggested Spare Parts

The HOW TO USE THIS MANUAL section will tell you how to find important information for ordering correct repair parts.

Parts may be ordered from authorized dealers. When placing an order for parts, the machine model and machine serial number are important. Refer to the MACHINE DATA box which is filled out during the installation of your machine. The MACHINE DATA box is located on the inside of the front cover of this manual.

Model: _____
Date of Purchase: _____
Serial Number: _____
Dealer: _____
Address: _____
Phone Number: _____
Sales Representative: _____

The model and serial number of your machine is located inside of the battery compartment.

The SAFETY section contains important information regarding hazardous or unsafe practices of the machine. Levels of hazards are identified that could result in product damage, personal injury, or severe injury resulting in death.

The OPERATIONS section is to familiarize the operator with the operation and function of the machine.

The MAINTENANCE section contains preventive maintenance information to keep the machine and its components in good working condition. They are listed in this general order:

- Warning Indicators
- Troubleshooting

NOTE: If a service or option kit is installed on your machine, be sure to keep the KIT INSTRUCTIONS which came with the kit. It contains replacement parts numbers needed for ordering future parts.

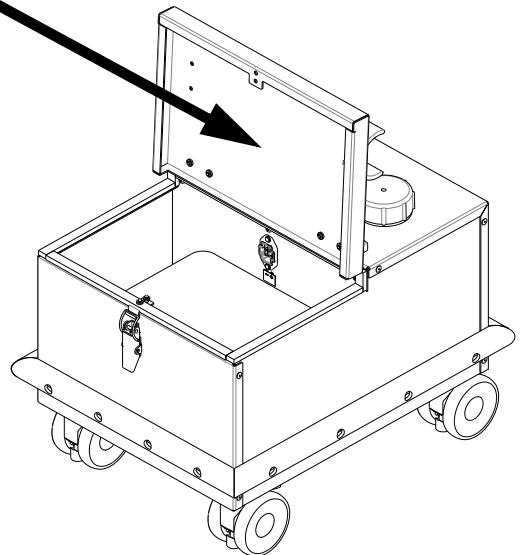
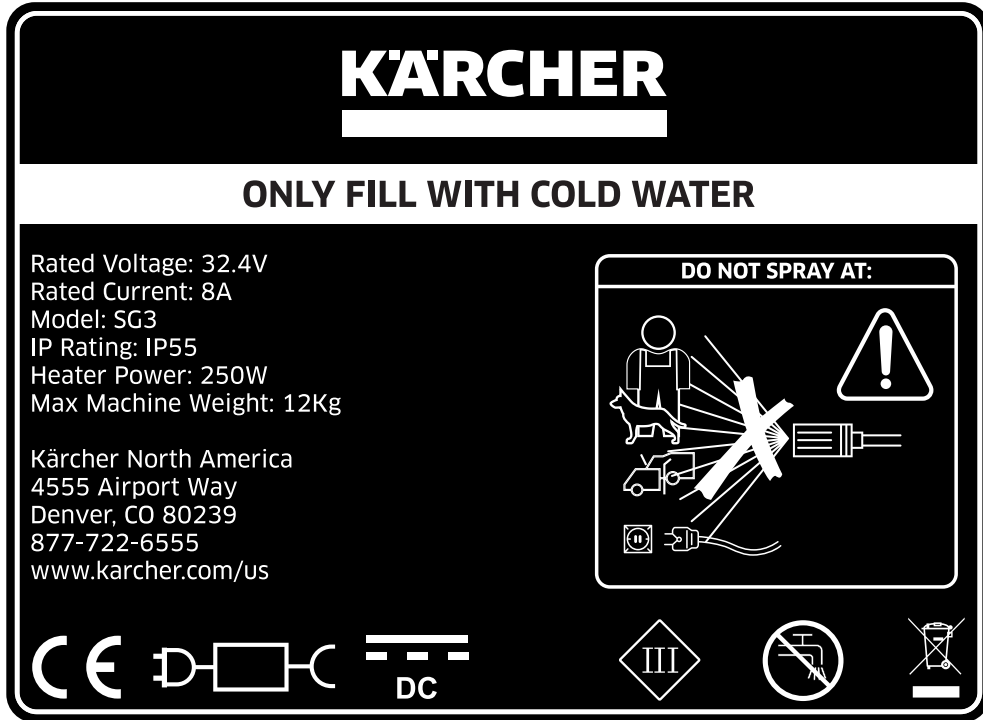
NOTE: The manual part number is located on the lower right corner of the front cover.

Safety Labels

NOTE: These drawings indicate the location of safety labels on the machine.

EMPLACEMENT DE L'ÉTIQUETTE DE SÉCURITÉ

REMARQUE : Ces dessins indiquent l'emplacement des étiquettes de sécurité sur la machine.



Important Safety Instructions

**When using this machine, basic precaution must always be followed, including the following:
READ ALL INSTRUCTIONS BEFORE USING THIS MACHINE.**

! WARNING: To reduce the risk of fire, electric shock, or injury:

- Do not allow children to operate this appliance or use as a toy.
- Do not use for any purpose other than described in the user's guide.
- Use only manufacturer's recommended attachments.
- Accessible parts and the steam may become very hot. Keep children away.
- Do not use this appliance if it is leaking, seals are worn, damaged or it does not appear to be operating properly.
- This appliance must only be serviced by authorized people.
- Always keep the nozzle in a downward facing direction when operating to ensure no hot liquid or steam can cause harm to the operator or bystanders.
- Only Kärcher North America approved gum removal solution and brushes can be used in the appliance.
- Pay attention to any of the warning indicators
- When transporting, moving or storing the appliance the battery must be disconnected and removed from the machine and the reservoir must be emptied.
- Although the machine is water resistant, make sure that it is kept dry at all times
- Do not touch the brush, nozzle or steam during operation.
- Only change brushes when the machine is off and cool enough to touch safely.
- Always make sure that the machine is started in the 'rinse' position.

READ AND SAVE THESE INSTRUCTIONS

Consignes De Sécurité Importantes

Lors de l'utilisation de cette machine, des précautions de base doivent toujours être prises, y compris les précautions suivantes :
LIRE TOUTES LES INSTRUCTIONS AVANT D'UTILISER CETTE MACHINE.

⚠ AVERTISSEMENT: Pour réduire le risque d'incendie, d'électrocution ou de blessure :

- Ne pas laisser les enfants utiliser cet appareil ou l'utiliser comme un jouet.
- Ne pas utiliser à des fins autres que celles décrites dans le guide de l'utilisateur.
- Utiliser uniquement les accessoires recommandés par le fabricant.
- Les parties accessibles et la vapeur peuvent devenir très chaudes. Ne pas laisser les enfants s'approcher de l'appareil.
- Ne pas utiliser cet appareil en présence de fuites, de joints usés, et s'il est endommagé ou ne semble pas fonctionner correctement.
- Cet appareil doit être réparé uniquement par des personnes autorisées.
- Toujours garder la buse orientée vers le bas lors de l'utilisation pour garantir qu'aucun liquide chaud ni aucune vapeur ne puisse blesser l'opérateur ou des personnes à proximité.
- Seules la solution de retrait de la gomme à mâcher et les brosses approuvées par Kärcher North America peuvent être utilisées dans l'appareil.
- Prêter attention aux signaux d'alarme
- Lors du transport, du déplacement ou du stockage de l'appareil, la batterie doit être débranchée et retirée de la machine, ainsi que le réservoir vidé.
- Bien que la machine soit résistante à l'eau, il convient de s'assurer qu'elle est sèche en tout temps
- Ne pas toucher la brosse, la buse ou la vapeur lors du fonctionnement.
- Changer les brosses uniquement lorsque la machine est éteinte et qu'elle a suffisamment refroidi pour être en mesure de les toucher en toute sécurité.
- Toujours s'assurer que la machine est en position " rinçage " lors du démarrage.

LIRE ET CONSERVER CES INSTRUCTIONS

The following symbols are used throughout this guide as indicated in their descriptions:

Hazard Intensity Level

There are three levels of hazard intensity identified by signal words **-WARNING** and **CAUTION** and **FOR SAFETY**. The level of hazard intensity is determined by the following definitions:



WARNING - Hazards or unsafe practices which COULD result in severe personal injury or death.



CAUTION - Hazards or unsafe practices which could result in minor personal injury or product or property damage.

FOR SAFETY: To Identify actions which must be followed for safe operation of equipment.

Report machine damage or faulty operation immediately. Do not use the machine if it is not in proper operating condition. Following is information that signals some potentially dangerous conditions to the operator or the equipment. Read this information carefully. Know when these conditions can exist. Locate all safety devices on the machine. Please take the necessary steps to train the machine operating personnel.

FOR SAFETY:

DO NOT OPERATE MACHINE:

Unless Trained and Authorized.

Unless Operation Guide is Read and understood.

In Flammable or Explosive areas.

In areas with possible falling objects

WHEN SERVICING MACHINE:

Avoid moving parts. Do not wear loose clothing; jackets, shirts, or sleeves when working on the machine. Use manufacturer approved replacement parts.

Les symboles suivants sont utilisés dans tout ce manuel, tels que décrits ici :

Niveau D'intensité Du Danger

Il existe trois niveaux d'intensité du danger, identifiés par des termes d'avertissement - **AVERTISSEMENT**, **ATTENTION** et **POUR VOTRE SÉCURITÉ**. Le niveau d'intensité du danger est déterminé par les définitions suivantes :

⚠ AVERTISSEMENT:

AVERTISSEMENT - Les dangers ou des pratiques contraires à la sécurité qui POURRAIENT entraîner des blessures personnelles ou la mort.

⚠ ATTENTION:

ATTENTION - Les dangers ou des pratiques contraires à la sécurité qui pourraient entraîner des blessures personnelles légères ou des dégâts sur le produit ou d'autres biens.

POUR DES RAISONS DE SÉCURITÉ : Pour identifier les actions qui doivent être exécutées pour un fonctionnement sûr de l'équipement.

Signaler immédiatement tout dommage subi par la machine ou fonctionnement défectueux. Ne pas utiliser la machine si elle ne fonctionne pas correctement. Ci-dessous se trouvent les informations indiquant les conditions potentiellement dangereuses pour l'opérateur ou l'équipement. Lire attentivement ces informations. Être conscient que ces conditions peuvent survenir. Repérer tous les dispositifs de sécurité sur la machine. Suivre les étapes nécessaires de formation du personnel qui utilise la machine.

POUR DES RAISONS DE SÉCURITÉ :

NE PAS FAIRE FONCTIONNER LA MACHINE :

Sauf si le personnel est formé et autorisé.

Sauf si le manuel d'utilisation est lu et compris.

Dans des zones inflammables ou explosives.

Dans des zones contenant des objets susceptibles de tomber

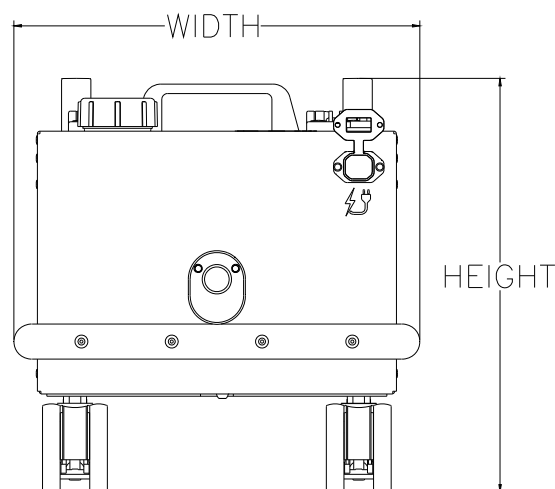
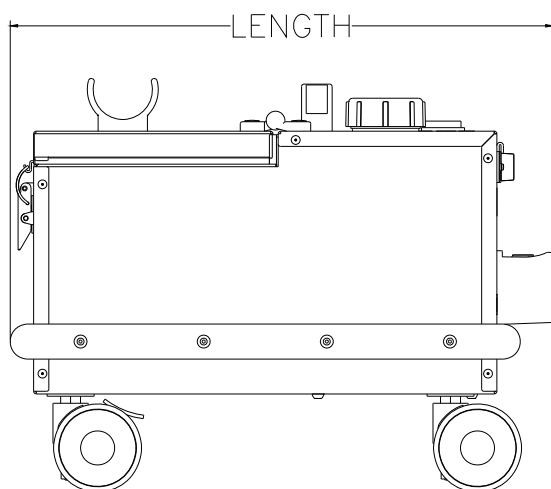
LORS DE L'ENTRETIEN DE LA MACHINE :

Éviter les pièces mobiles. Ne pas porter de vêtements, vestes, chemises ou manches vagues lors de l'entretien de la machine. Utiliser les pièces de rechange approuvées par le fabricant.

Technical Specifications

ITEM	DIMENSION/CAPACITY
Battery Type	Lithium Ion
Voltage	33V
Amp Hours	18 Ah
Run Time	3.5 Hours
Charge Time	5 Hours
Max Operating Temperature	413.6°F (212°C)

ITEM	MEASURE
Height	14.56 Inches (370 mm)
Width	13.78 Inches (350 mm)
Length	17.13 Inches (435 mm)
Hose Length	59 Inches (1500 mm)
Weight	24.25 LB (11 KG)



⚠ CAUTION:

This appliance is not intended for use by persons (including children) with reduced physical, sensory or mental capabilities, or lack of experience and knowledge, unless they have been given supervision or instruction concerning use of the appliance by a person responsible for their safety. Children should be supervised to ensure that they do not play with the appliance.

⚠ ATTENTION:

Cet appareil n'est pas prévu à l'usage des personnes (enfants y compris) avec des possibilités physiques, sensorielles ou mentales réduites, ou le manque d'expérience et de connaissance, à moins qu'ils aient été donnés la surveillance ou l'instruction au sujet de l'utilisation de l'appareil par une personne chargée de leur sûreté. Des enfants devraient être dirigés pour s'assurer qu'ils ne jouent pas avec l'appareil.

How this machine works

This appliance works by vaporizing an environmentally friendly detergent, which is based on sugar beet. The effect is that chewing gum is destroyed into a foam, which can be swept away or washed away.

A 3 oz (90ml) concentrate chemical is diluted with clean water to make .79 gallons (3L) of gum removal solution in the appliances internal reservoir.

The gum removal solution supplied by Kärcher North America and is the only approved chemical to be used in this appliance. Using another chemical will invalidate the warranty and will likely cause damage to the internal components of this appliance.

Lithium Ion Battery

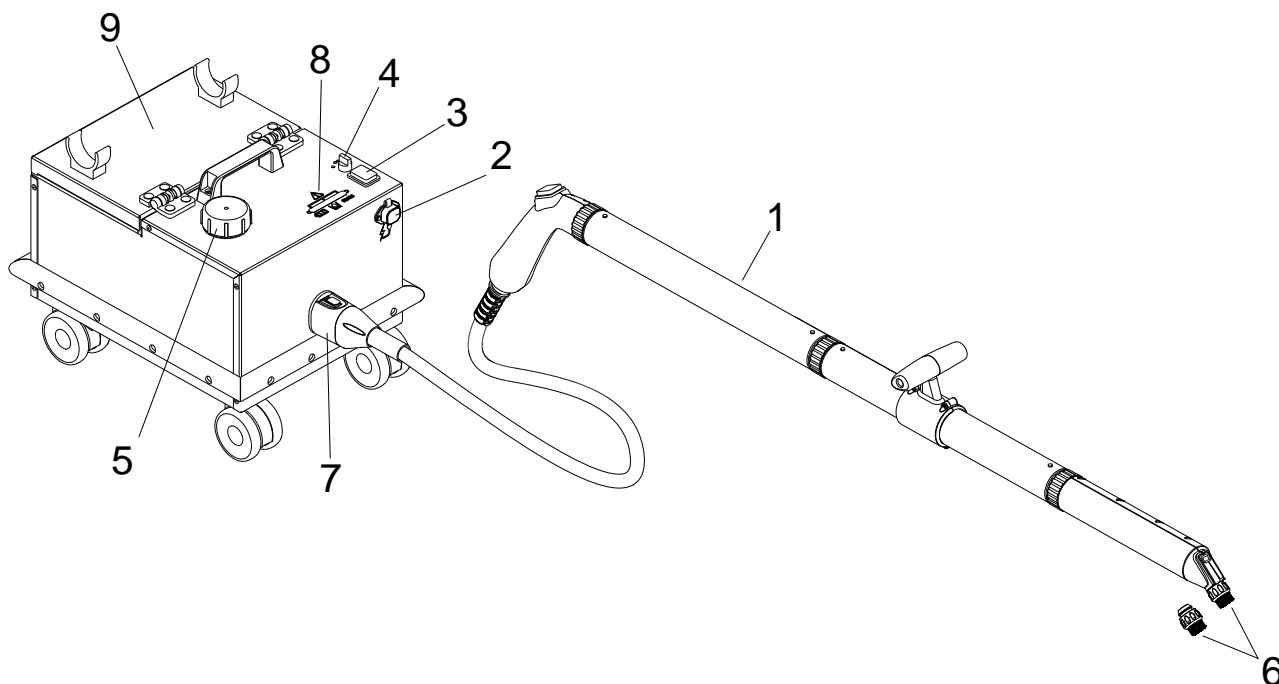
This machine is manufactured with a 33v 18Ah rechargeable lithium battery. The charging voltage is 100 – 240v.

The battery should be sufficiently charged before each use. This machine is supplied with a mains charger that has an LED charging indicator light. When the battery is charging the light will flash red. When the battery is fully charged the light will change to a solid green.

The battery can be charged either by:

- Connecting the battery directly to the charger. The battery will then need to be installed into the machine and plugged in.
- Connecting the charger to the charging port while the battery is installed in the machine.

The battery will take five hours to fully charge. The battery will reach 80% charge in three hours.



- 1. Heating Assembly
- 2. Charging Port
- 3. Power Switch
- 4. Setting Dial
- 5. Fluid Tank

Components

- 6. Brushes
- 7. Handle Plug
- 8. Warning Indicators
- 9. Battery Compartment



Pre-Run Set Up

Make sure that the battery is fully charged.

Connect the handle plug to the socket on the main unit.



Assemble the Heating Assembly based on the gum cleaning need.

- For a short hand-held wand, attach the Heating Assembly directly onto the handle.
- For a longer cleaning wand, attach extension pole(s) onto the handle, then attach the Heating Assembly onto the extension pole(s).

FOR SAFETY: A maximum of two extension poles can be used.

Make sure that the internal connectors are aligned before fastening the screw collars. These can be inserted correctly one way.

NOTE: Do not over tighten the connection collars on each of the extension poles.

Place the Support Handle based on the Operator's comfort.

Place the wand onto the holster on top of the machine.



Attach a brass or nylon brush to the nozzle.



Empty the concentrated gum removal solution into fluid tank

Fill the remainder of the tank with clean water.



Starting the Machine

Turn the dial on the top of the machine to "R", which is the rinse setting.

Turn on the power switches on the machine and the wand.

Wait for liquid to be seen flowing from the nozzle and let the fluid flow for at least 10 seconds.

Turn the flow dial to either • or •• and wait until steam is visible.

NOTE: If all three LED's flash at this stage highlighting an error, turn off both switches and repeat the previous steps.

Removing Gum

Place the brush on the piece of flattened gum and wait a few seconds



Agitate the flattened gum with the brush lightly with a 'back and forward motion. There is no need to scrub or apply heavy pressure as the solution and heat combine to destroy the gum

When the gum has turned to a foam you may choose to use a broom to sweep across the area to see if further cleaning is required.

As all gum deposits are different there will be varying times taken to destroy each piece.

Turning off the machine

Turn the dial to the 'R' position until liquid is flowing from the nozzle.

Turn off the switches on both the lance / wand and machine.

Disconnect the battery by removing the connector from the internal socket.

Place the wand onto the holster on the top of the machine.



Warning Indicators

There are three LED lights on the top of the machine. They are for the battery, fluid and rinse.

All three lights will flash together if the heating cartridge reaches more than 320°F/160°C or the heating unit is not connected correctly.

To reset this error code, do one or both of the following:

1. Turn both power switches off.
2. Set the flow switch to 'R'. Turn both switches on and wait for ten seconds of fluid flow.
3. After ten seconds, turn the dial back to either • or ••

OR

1. Turn both power switches off.
2. Disconnect all extension poles, including the heater unit. Reattach all the poles and heater unit, making sure that all the connectors are aligned correctly.
3. Set the flow switch to 'R'. Turn both switches on and wait for ten seconds of fluid flow.
4. After ten seconds, turn the dial back to either • or ••

Battery

During normal use the battery LED will be a solid red.

When charging the battery LED will flash red.

Fluid

The fluid LED will illuminate solid red when the reservoir is empty. The power will automatically be cut when the reservoir is empty.

Rinse

The rinse LED will illuminate to a solid red when the machine is operated in the rinse setting.

The rinse LED will flash red after 100 hours of use to indicate that a descale is required.

Descal

As lime-scale also builds up on the boiler walls, we recommend to descale the boiler using KÄRCHER Bio descaler RM 511. The KÄRCHER Bio descaler RM 511 is a product based on citric acid, which is completely biodegradable.

CAUTION:

Only use products approved by KÄRCHER to exclude any damages of the appliance.

ATTENTION:

Utiliser uniquement des produits agréés par la société Kärcher afin d'éviter tout endommagement de l'appareil.

1. Disconnect the mains plug from the socket.
2. Completely empty the steam boiler.
3. Completely dissolve two bags of descaler by stirring it in 0.5 gal (2 liters) of warm water.
4. Fill the descaling solution into the boiler and allow to react for approximately 8 hours.

⚠ WARNING:

Do not screw the steam boiler safety cap on the appliance during the descaling. Do not use the appliance as long as there is descaling agent in the boiler.

⚠ AVERTISSEMENT:

Pendant le détartrage, ne pas revisser la fermeture de sécurité sur l'appareil. Ne jamais utiliser l'appareil tant que la chaudière contient encore du détartrant.

5. Pour out the descaling solution. Rinse the boiler at least two more times with cold water to ensure that there is no residue left behind in the boiler.
6. Turn on the appliance.

Turn the dial to "R" for 90 seconds. This will reset the machine.

The appliance is ready for use again. After approx. 100 operating hours or 50 days, the indicator lamp "Rinse" will flash showing the next necessary descaling process.

Troubleshooting

Problem	Cause	Solution
No Fluid	Empty Reservoir.	Fill Reservoir.
	No Power.	Charge Battery.
	Connection Is Loose.	Tighten All Connectors.
	Switches Turned Off.	Turn Both Switches On.
Fluid seen but no Steam	Flow Switch Set To 'R'.	Turn To • Or ••
	Connection Is Loose.	Tighten All Connectors.
No Power	Battery Not Charged.	Charge Battery.
	Battery Not Plugged In.	Plug Battery In.
	Switches Turned Off.	Turn Both Switches On.

If the problem persists, contact your local Kärcher Dealer or Service Center.

Spare Parts - Body

Image	Part #	Ref #	Description	Notes
	86414570	01-100-002G	BASE UNIT GREY	
	86414470	01-100-081	POWER SOCKET HOUSING	
	86415110	01-100-073G	BUMPER STRIP BRACE - GREY	SET OF 4
	86414770	01-100-103G	WHEELS BRACE	SET OF 2
	86414690	01-999-006	PLASTIC TOP HANDLE	
-	86415120	01-999-035	M6 X 14 CAP HEAD SCREW	SET OF 2
-	86415130	01-999-007	LATCH ASSEMBLY	
-	86415140	01-999-007	M4 X 6 POP RIVET	SET OF 2
	86414680	01-100-069	WHEEL, BRAKE	SET OF 2
	86415150	01-100-070	WHEEL, UNBRAKED	SET OF 2
-	86414670	01-100-009	RUBBER BUMPER STRIP KIT LONG	SET OF 2
-	86415160	01-100-010	RUBBER BUMPER STRIP KIT SHORT	SET OF 2
	86414710	01-999-032	LID SEAL, 6 X 12MM X 10M SELF ADHESIVE	10M LENGTH

Image	Part #	Ref #	Description	Notes
	86414530	01-100-036G	LID ASSEMBLY	
	86423410	01-100-001G	LID GREY	
	86414540	01-100-072	WAND CLIPS	SET OF 2
	86414560	01-100-071	LID HINGES	SET OF 2
-	86423420	01-999-012	LATCH	
	86423430	01-100-074G	TANK SUPPORT ASSEMBLY GREY	
	86414700	01-100-042	REPLACEMENT PUMP ASSEMBLY	
-	86414760	01-100-060	PUMP WIRING LOOM	
	86414640	01-100-045	MAIN CONTROL PCBA	
	86414610	01-100-100G	ACCESS PANEL GREY	
	86414440	01-100-094	TORBERRY HOLDER FEMALE SOCKET	SET OF 2
-	86423440	01-100-067	BATTERY STRAP	
	86414600	01-100-003G	BATTERY STOP - GREY	SET OF 2

Spare Parts - Heating assembly


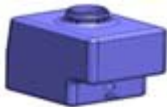


Image	Part #	Ref #	Description	Notes
	86414400	01-100-038	HANDLE AND HOSE ASSEMBLY	
	86415060	01-100-038 3m	HANDLE AND HOSE ASSEMBLY 3M	OPTION (3M LENGTH)
	86415070	01-100-029	HANDLE HOUSING LEFT	
	86415080	01-100-30	HANDLE HOUSING RIGHT	
	86414420	01-999-037	ON/OFF SWITCH	
	86414720	01-100-084	WATER CONNECTOR BASE	
-	8641509	01-999-046	O-RING - EPDM - 6 X 2	SET OF 10
	86415100	01-100-059	HOSE LOOM ASSEMBLY	
	86414520	01-100-034	SUPPORT HANDLE ASSEMBLY	INCLUDES FASTENERS
	86414480	01-100-021	HEATER ASSEMBLY	INCLUDES BRUSH RELEASE BUTTON AND SPRING
	86414960	01-100-023	HEATER HOUSING LEFT	

Spare Parts - Heating Assembly

Image	Part #	Ref #	Description	Notes
	86414970	01-100-024	HEATER HOUSING RIGHT	
	86414490	01-100-075Y	BRUSH RELEASE BUTTON	
	86414980	01-100-077	BRUSH RELEASE SPRING	
	86414990	01-100-086	STEAM NOZZLE	
-	86415000	01-999-002	THREAD FORMING SCREW	SET OF 10
	86415010	01-100-017	WATER CONNECTOR MALE	
-	8641502	01-999-026	SILICONE TUBING (2.3 X 5.5MM)	250MM LENGTH
	86415030	01-100-122	HEATER ELECTRIC ASSEMBLY	
	86415040	01-100-019	WATER CONNECTOR FEMALE	
-	86415050	01-999-024	3 X 8 PAN T10 BLACK SCREW	SET OF 10
	86414510	01-100-020	EXTENSION ASSEMBLY POLE	
	86414410	01-100-031	HAND SCREW	
-	86414500	01-999-001	O-RING - EPDM - 6.07 X 1.78	SET OF 10
	86414780	01-100-101	NYLON BRUSH	SET OF 20
	86414790	01-100-102	BRASS BRUSH	SET OF 20
	86414800	HC1447	SG3 CHEMICAL 90ML BOTTLE	CASE OF 20

Spare Parts - Electrical

Image	Part #	Ref #	Description	Notes
	86414660	01-100-106	BATTERY CHARGER US SG3	
	86414460	01-100-097	TORBERRY FEMALE CONNECTOR	
-	86423450	01-100-115	TORBERRY FEMALE CONNECTOR PIN	
-	86423460	01-100-107	US POWER LEAD	
	86414650	01-100-066	BATTERY SG3	
	86414450	01-100-096	TORBERRY MALE CONNECTOR	
-	86415220	01-100-114	TORBERRY MALE CONNECTOR PIN	
	86414430	01-100-095	TORBERRY HOLDER MALE SOCKET	
-	86415170	01-100-080	TORBERRY COVER	
-	86414630	01-100-110	TORBERRY CHARGING WIRING LOOM	
-	86415180	01-100-111	BATTERY WIRING LOOM	
-	86414730	01-100-008	POWER WIRING LOOM	
-	86414620	01-100-085(O)	LED WIRING LOOM	
-	86414550	01-100-085	LED WIRING LOOM	SERIAL #1
-	86415190	01-100-150	LED PCBA	SERIAL #1
-	86415200	01-100-051	POWER SOCKET ASSEMBLY	SERIAL #1
-	86415210	01-999-036	LED LENS	SET OF 3
-	86414740	01-100-123	MODE SWITCH LOOM	
-	86414750	01-100-050	ON/OFF SWITCH WIRING LOOM	

Image	Part #	Ref #	Description	Notes
	86414580	01-100-037	FLUID TANK ASSEMBLY	
	86415230	01-100-046	TANK ONLY	
	86414590	01-100-056	TANK LID	
-	86415240	01-999-005	O-RING - EPDM - 50.4MM ID	
	86415250	01-100-088	TANK FILTER	
-	86423390	01-999-049	SILICONE TUBING (4.8 X 9.6MM) 150MM L	150MM
-	86423400	01-100-047	FLOAT SWITCH ASSEMBLY	

Ref. No.	Model Serial Number
1	ST-08.16.0001