



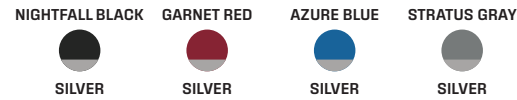
## COMPETITOR

SPORT | SIDE CONSOLE | TILLER

- UNMATCHED VERSATILITY
- MORE FUNCTIONAL SPACE
- MODERN DESIGN



**COMPETITOR 185X SPORT**  
(NIGHTFALL BLACK WITH SILVER ACCENT)



	175X	185X	195X	205X
<b>Dry Weight</b>	1796 lb [815 kg]	1870 lb [849 kg]	2030 lb [921 kg]	2090 lb [948 kg]
<b>Persons Capacity</b>	6	6	8	8
<b>Overall Length (Including X-Pods)</b>	19'1" [+16" for Max Deck]	20'2"	21'2"	22'2"
<b>Boat Motor Trailer Length</b>	20'8" [+16" for Max Deck]	21'8"	22'8"	23'8"
<b>Boat Motor Trailer Weight</b>	3162 lb [1435 kg]	3324 lb [1508 kg]	3709 lb [1683 kg]	4016 lb [1822 kg]
<b>Boat Motor Trailer Height</b>	7'0"	7'2"	7'2"	7'2"
<b>Beam</b>	98"	98"	98"	98"
<b>Transom Width/Height</b>	98"/25"	98"/25"	98"/25"	98"/25"
<b>Max Hull Thickness</b>	0.196"	0.196"	0.196"	0.196"
<b>Max HP</b>	150 HP	200 HP	300 HP	400 HP
<b>Fuel Capacity</b>	36 gallons	36 gallons	48 gallons	48 gallons
<b>Livewell Aft</b>	50 gal /29 gal /21 gal	50 gal /29 gal /21 gal	50 gal /29 gal /21 gal	50 gal /29 gal /21 gal
<b>Livewell Bow</b>	21 gallons	21 gallons	21 gallons	21 gallons
<b>Pedestal Seats Included</b>	3	3	3	4

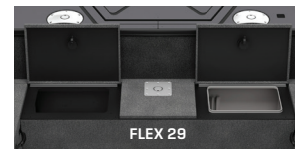
## NEW FEATURES

- NEMA NETWORK
- GARMIN 7" DIGITAL DASH
- FUSION STEREO
- BOW DRY STORAGE
- TROLLING MOTOR FOOTPEDAL WELL
- DEDICATED TACKLE STORAGE
- 10' MAX LENGTH ROD STORAGE (185X-205X)
- 46 QUART INTEGRATED COOLER
- X-POD TRANSDOM DESIGN



### REAR MODULE

The Flex FSX module gives the best of both worlds with a 21 gallon livewell, two jump seats, underseat storage, and a ski pylon base (ski pylon available separate for purchase).



The Flex 29 is a rear module divided in two sections - a 29 gallon livewell on one side and additional storage on the other.



The Flex 50 module is all about catching fish, since it comes with a 50 gallon livewell.

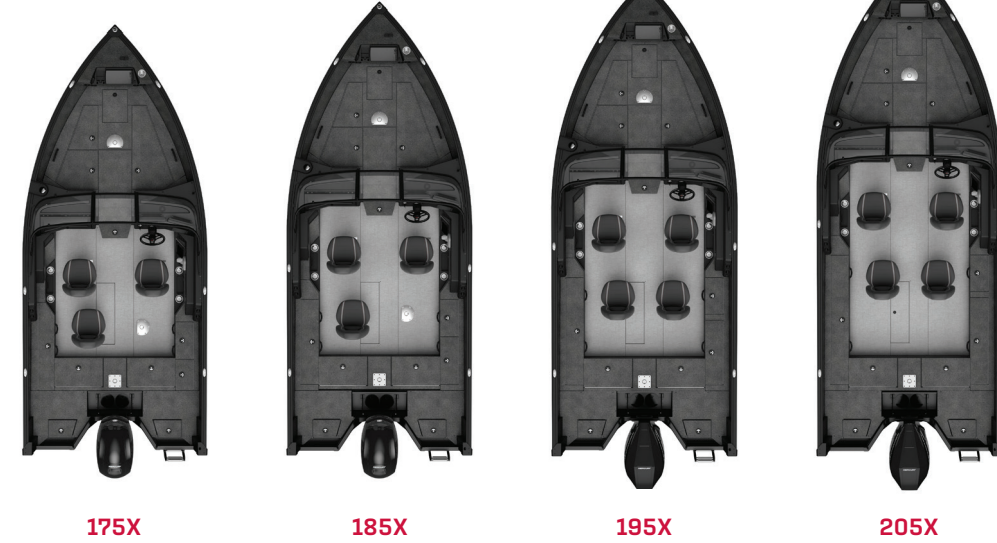


For more information, visit [alumacraft.com](http://alumacraft.com)



## COMPETITOR

### BOAT LENGTHS



### AVAILABLE WITH

- ROTAX S ON 175X AND 185X
- TRADITIONAL OUTBOARD ENGINE ON 175X, 185X, 195X AND 205X
- MAX DECK (OPTIONAL WITH ROTAX S)
- ALUMATRAC ACCESSORIES
- LINQ ACCESSORIES

### FEATURE HIGHLIGHTS



#### MAX DECK

The new Rotax S enables the installation of the optional MAX Deck. It provides an additional 25 sq ft of fishing and recreational space, and includes LinQ attachment points for even more storage possibilities.



#### ROTAX S

The seamlessly integrated Rotax S means more usable space on the boat with all the benefits of a traditional outboard. And with no exposed rigging hanging off the transom, the Rotax S takes safety and recreation at the stern to a new level.



#### X-PODS

These transom extensions wrap around both sides of the engine and feature convenient, in-floor storage compartments. The additional 16" of space gives you more standing room and water access at the stern, and easier handling.



#### 2XB HULL

Our exclusive 2XB™ double plated hull dramatically reduces sound and vibration, paired with larger aircraft grade rivets and a seamless one-piece hull bottom, means a soft, quiet and dry ride, even in rough water.



#### REDESIGNED CAPTAIN'S HELM

Provides improved integration of both switching and electronics and uses injection molded plastic materials to enhance the overall fit and finish. Comes standard with a 7" Garmin digital display, NEMA network, and the option to install up to two 12" graphs behind the windshield.



#### BOW CONTROL CENTER

The new bow control center gives you the option to mount up to a 12" graph and includes a tool holder, cell phone holder with a USB charging station and a trolling motor footpedal well.