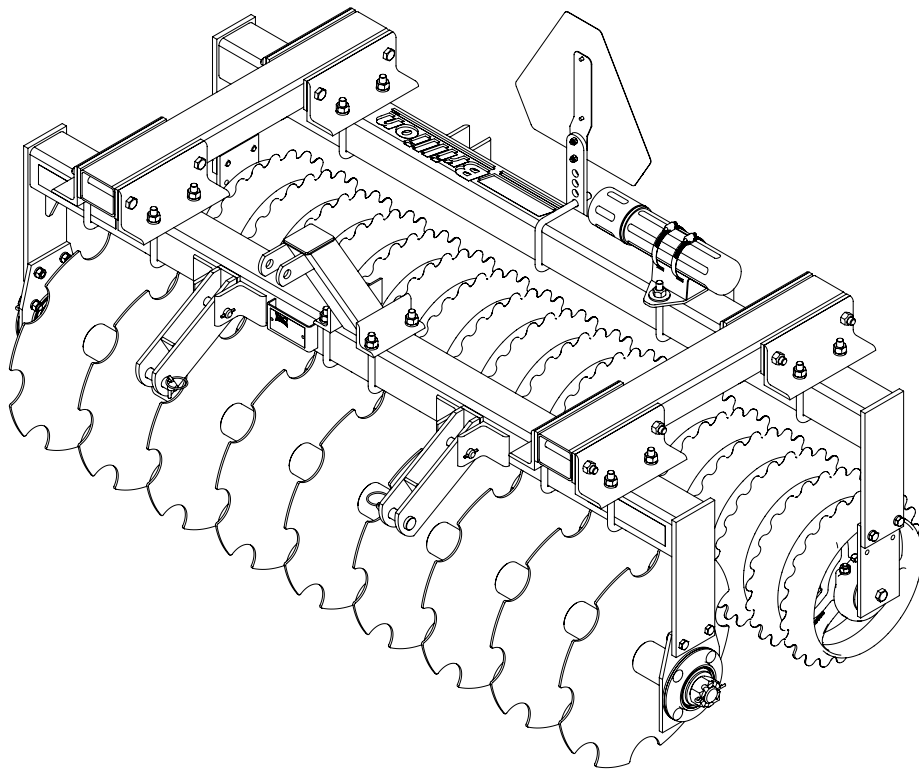




**Operator's Manual
Repair Parts Catalog
Seedbed Mulch Tucker
T6, SMT6 and T8, SMT8**



LANDOLL CORPORATION

1900 North Street
Marysville, Kansas 66508
(785) 562-5381

800-428-5655 ~ WWW.LANDOLL.COM

Table of Contents

1 Safety and Operation Information

Introduction	1-1
Description of Unit	1-1
Owner Assistance	1-1
Warranty Registration	1-1
Safety	1-2
Understanding Safety Statements	1-2
Keep Riders Off of Machinery	1-2
Transporting Safety	1-2
Attaching, Detaching and Storage	1-3
Maintenance Safety	1-3
Protective Equipment	1-3
Chemical Safety	1-3
Prepare for Emergencies	1-3
Operation	1-4
Tractor Preparation	1-4
Attaching Tractor	1-4
Float Rear Roller	1-6
Reversing Direction	1-7
Reversing the Hitch	1-7
Reversing the Coulter and Roller Assemblies	1-8
Field Operation	1-9
Transport	1-9

2 Maintenance and Specifications

Maintenance	2-1
General Torque Specifications	2-1
Fasteners	2-2
Clamp Tightening Procedure	2-2
Storage	2-3
Specifications	2-4

3 Illustrated Parts List

Instructions for Ordering Parts	3-1
T6 Tucker Assembly	3-3
T8 Tucker Assembly	3-5
SMT6 Assembly	3-7
SMT8 Assembly	3-9
Wheel and Axle Assembly	3-10
Axle Clamp Assembly	3-11
Pipe Axle Assembly - 73 1/8"	3-12
Pipe Axle Assembly - 97 1/8"	3-12
Bearing Housing Assembly, Outer	3-13
Mounting Plate Assembly	3-14
6ft Coulter Assembly	3-17
8ft Coulter Assembly	3-19
SMV Sign and Manual Canister	3-20
T6 Decals	3-21
T8 Decals	3-22
SMT6 Decals	3-23
SMT8 Decals	3-24

Safety and Operation Information

Introduction

The implement described in this manual has been designed with care and built by skilled workers using quality materials and processes. Proper assembly and maintenance will provide you with satisfactory use for seasons to come.



DANGER

Read this entire manual before attempting to assemble, adjust or operate this implement. Failure to comply with this warning can result in personal injury or death, damage to the implement or its components and inferior operation.

Description of Unit

The Brillion Seedbed Mulch Tucker fills a niche in the seeding operations of many specialty jobs around the country. Primarily used after the seeding operation is complete and the mulch is blown or spread on, the Seedbed Mulch Tucker helps anchor the mulch into the seedbed while enhancing the seed to soil contact. The operation is often mandated by many federal, state and municipal seeding jobs.

The Seedbed Mulch Tucker is a very simple machine that features a front axle with 20" tucker blades that anchor the mulch to the seedbed. The rear axle uses 16" gray iron Pulverizer wheels to firm and finish the job. Triple sealed bearings support the axles on each end.

Using this Manual

This manual will familiarize you with safety, assembly, operation, adjustment, and maintenance. Read this manual and follow the recommendations to help ensure safe and efficient operation.

- The information in this manual is current at time of printing. Some parts may have changed to assure top performance.
- Location reference: Right and Left designations in this manual are determined by facing the direction the implement will travel during field operation, unless otherwise stated.

Owner Assistance

If customer service or repairs are needed, contact your Brillion dealer. They have trained personnel, parts and service equipment specially designed for Brillion products. Your implement's parts should only be replaced with Brillion parts. If items covered in this manual are not understood, contact your local Brillion Dealer.

Warranty Registration

Brillion Farm Equipment, by Landoll, shall have no warranty obligation unless each product is registered within 10 days of retail purchase, using the Landoll Corporation Ag Products on-line registration process. Please refer to the Ag Products Policy and Procedures Manual, accessible at www.landoll.com for step by step instructions regarding product registration.

Enter your product information below for quick reference.

MODEL NUMBER

SERIAL NUMBER

DATE OF PURCHASE

Refer to the ID plate as shown. See Figure 1-1.

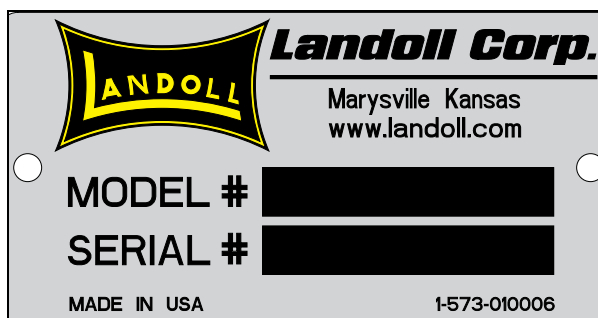


Figure 1-1 ID Plate

Safety

Federal law requires that you explain the safety and operating instructions furnished with this machine to all operators before they are allowed to operate the machine. These instructions must be repeated to the operators at the beginning of each season. Be sure to observe and follow the instructions for the safety of anyone operating or near the machine.

NOTE

Investigation has shown that nearly 1/3 of all farm accidents are caused by careless use of machinery. Insist that all people working with you or for you abide by all safety instructions.

Understanding Safety Statements

You will find various types of safety information on the following pages and on the machine decals (signs) attached to the vehicle. This section explains their meaning.

The Safety Alert Symbol means ATTENTION! YOUR SAFETY IS INVOLVED!

NOTICE

Special notice - read and thoroughly understand.



CAUTION

Proceed with caution. Failure to heed caution may cause injury to person or damage product.



WARNING

Proceed with caution. Failure to heed warning will cause injury to person or damage product.



DANGER

Proceed with extreme caution. Failure to heed notice will cause injury or death to person and/or damage product.

NOTE

You should read and understand the information contained in this manual and on the machine decals before you attempt to operate or maintain this equipment.

Examine safety decals and be sure you have the correct safety decals for the machine. **See Figures 3-14 through 3-17.** Order replacement decals through your Brillion dealer.

Keep these signs clean so they can be observed readily. It is important to keep these decals cleaned more frequently than the machine. Wash with soap and water or a cleaning solution as required.

Replace decals that become damaged or lost. Also, be sure that any new machine components installed during repair include decals which are assigned to them by the manufacturer.

When applying decals to the machine, be sure to clean the surface to remove any dirt or residue. Where possible, sign placement should protect the sign from abrasion, damage, or obstruction from mud, dirt, oil etc.

Keep Riders Off of Machinery



DANGER

- Do not allow extra riders on the tractor or a machine. Riders could be struck by foreign objects or thrown from the machine.
- Never allow children to operate equipment.
- Keep bystanders away from the machine during operation.

Transporting Safety

IMPORTANT

It is the responsibility of the owner/operator to comply with all state and local laws.

When transporting the machine on a road or highway, use adequate warning symbols, reflectors, lights and slow moving vehicle sign, as required. Slow moving tractors and towed implements can create a hazard when driven on public roads. They are difficult to see, especially at night.

Do not tow an implement that, when fully loaded, weighs more than 1.5 times the weight of the towing vehicle.

Carry reflectors or flags to mark tractor and implement in case of breakdown on the road.

Do not transport at speeds over 20 MPH under good conditions. Never travel at a speed which does not allow adequate control of steering and stopping. Reduce speed if towed load is not equipped with brakes.

Avoid sudden stops or turns because the weight of the machine may cause the operator to lose control of the tractor. Use a tractor heavier than the machine.

Keep clear of overhead power lines and other obstructions when transporting. Know transport height and width of your machine. Refer to transport dimensions **page 2-4**.

Attaching, Detaching and Storage

- Do not stand between the tractor and the implement when attaching or detaching the implement unless both are not moving.
- Block machine so it will not roll when unhitched from the tractor.

Maintenance Safety

Block the machine so it will not roll when working on or under it to prevent injury in case of hydraulic failure or inadvertent lowering by another person.

Do not make adjustments while it is in motion.

Make sure all moving parts have stopped.

Understand the procedure before doing the work. Use proper tools and equipment. Refer to “**Maintenance**” on **page 2-1** for additional information.

Protective Equipment

- Wear protective clothing & equipment.
- Wear clothing & equipment appropriate for the job. Avoid loose fitting clothing.
- Because prolonged exposure to loud noise can cause hearing impairment or hearing loss, wear suitable hearing protection, such as earmuffs or earplugs.

Chemical Safety

Agricultural chemicals can be dangerous. Improper use can seriously injure persons, animals, plants, soil & property.

Read chemical manufacture’s instructions and store or dispose of unused chemicals as specified. Handle chemicals with care and avoid inhaling smoke from any type of chemical fire.

Store or dispose of unused chemicals as specified by the chemical manufacturer.

Prepare for Emergencies

- Keep a First Aid Kit and Fire Extinguisher handy.
- Keep emergency numbers for doctor, ambulance, hospital and fire department near phone.

Operation

NOTE

This chapter will cover the basic operation and procedures for the Landoll Brillion Mulch Tucker. Be sure to read and understand the Safety Procedures and Cautions starting on **Page 1-1**.

NOTE

Before operating your Brillion machine, check all hardware for tightness. See. “**General Torque Specifications**” on **page 2-1**.



DANGER

Never allow anyone to ride on the Mulch Tucker at any time. Allowing a person to ride on the machine can inflict serious personal injury or death to that person.



CAUTION

When transporting farm implements on public roads, it is the responsibility of the operator to abide by state and local laws concerning wide loads, speed, safety emblems and safety lighting equipment. Drive at safe speeds, particularly when rounding corners, crossing rough ground or driving on hillsides, to prevent tipping the tractor.

Tractor Preparation

The Tucker and Mulch Tucker are to be used on tractors equipped with 3 Point Hitches. Before attaching the Machine, prepare the tractor as follows:

- a. The rear tractor tires should be inflated equally and ballast added according to the tractor operator’s manual.
- b. For mounted type models, install front end weights as needed on tractor to maintain stability.



CAUTION

Do not move tractor without making sure top hitch is connected to tractor.

Attaching Tractor

1. Carefully back the tractor into place.
2. Attach the Machine to the tractor

T6 and SMT6 Models

T6 and SMT6 models are designed to be mounted to tractors with Category I free link three-point hitch. 7/8” Clevis Pins are used for attaching the tractor’s lower links and a 3/4” pin is used to attach upper tractor link.

T8 and SMT8 Models

T8 and SMT8 models are designed to be mounted to tractors with Category I, II free link and Quick Coupler three-point hitches. 7/8” Clevis pins are used for attaching to the tractor’s lower links. CAT 2 free link also requires 1-1/8” Bushings, while the Quick Coupler requires 1-7/16” Bushings. 3/4” pin are used to attach to the tractors upper links. CAT 2 free link requires an 1” Bushing and the Quick Coupler requires a 1-1/4” Bushing. **See Figures 1-3 and 1-4.**

For the Quick Coupler, the Float Link needs to be rotated so the distance between the upper and lower pins is approx. 15”. **See Figures 1-2 and 1-4.**

Hitch Bracket Positioning

For Category 1 the 2” spacers are use to contain the tractor lower hitch links. The spacer is used in conjunction with the 1-1/8” bushing.

To move the lower hitch mounting brackets loosen the 5/8-11 U-Bolts, Lock Washers and Nuts. Position the brackets as shown in **Figure 1-6**. Re-tighten hardware. See “**General Torque Specifications**” on **page 2-1**.

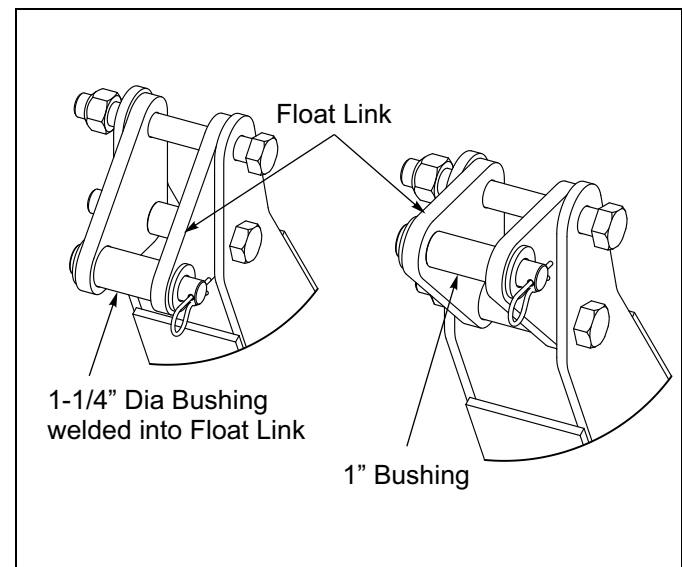


Figure 1-2: Float Link Rotated

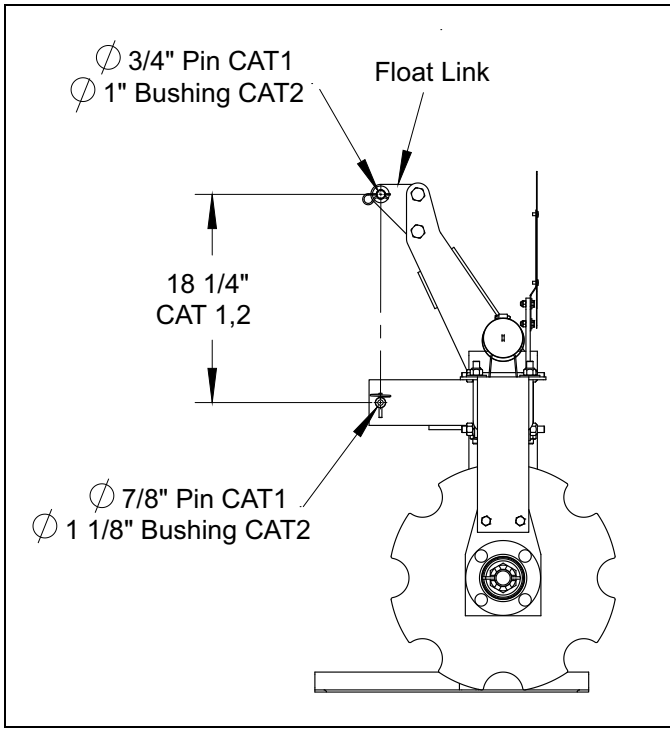


Figure 1-3: Category 1 and 2 Free Link

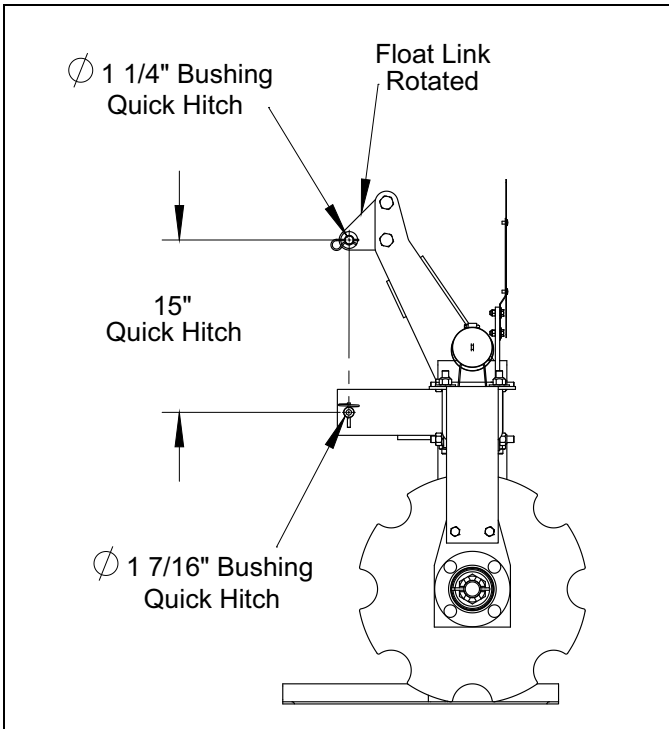


Figure 1-4: Quick Coupler

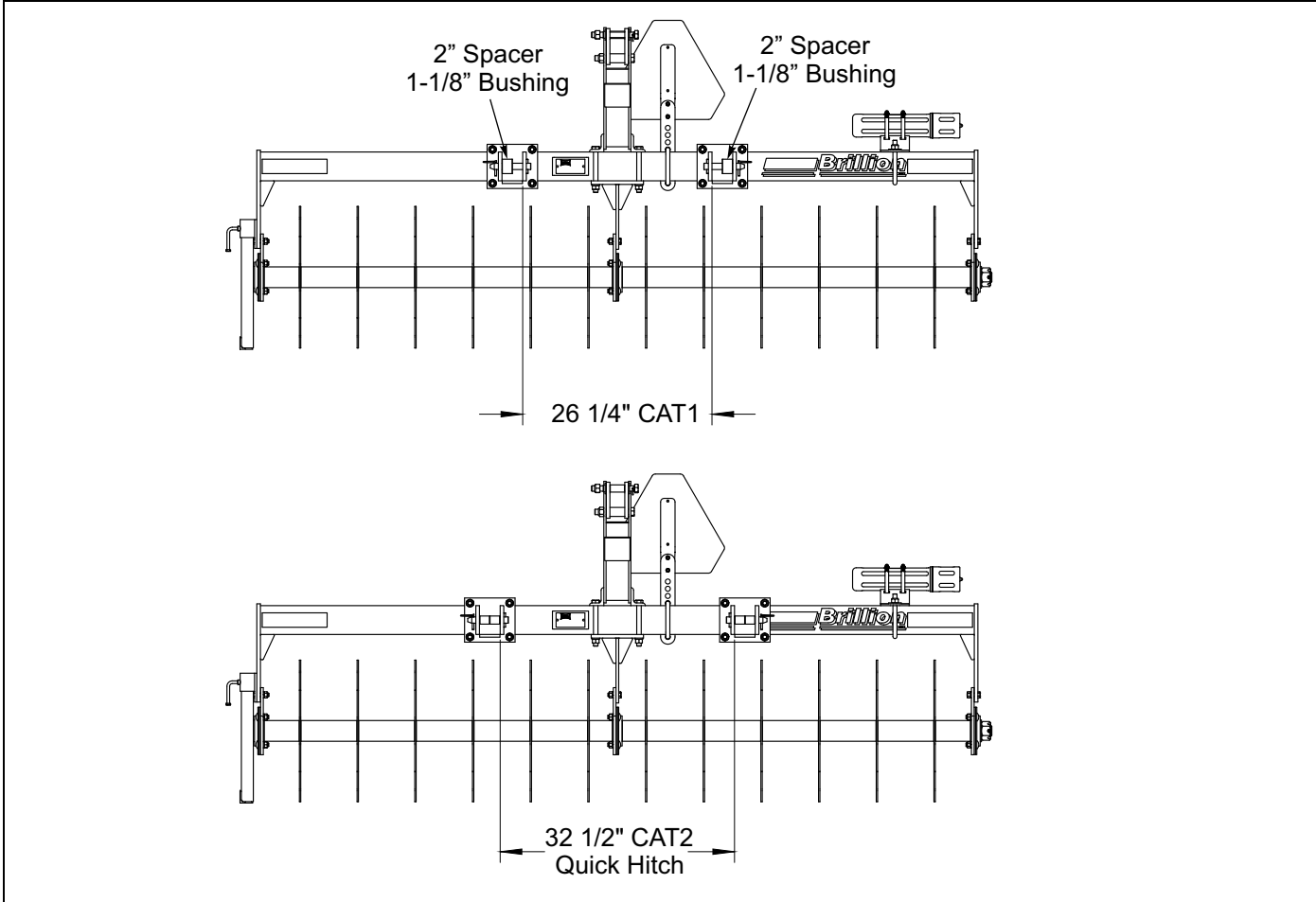


Figure 1-5: Hitch Mounting Dimensions

Float Rear Roller

The Rear Roller can be floated so that it follows the soil contour. Remove the Rear Front Bolt from each Tube that connects the Front and Rear Frames.

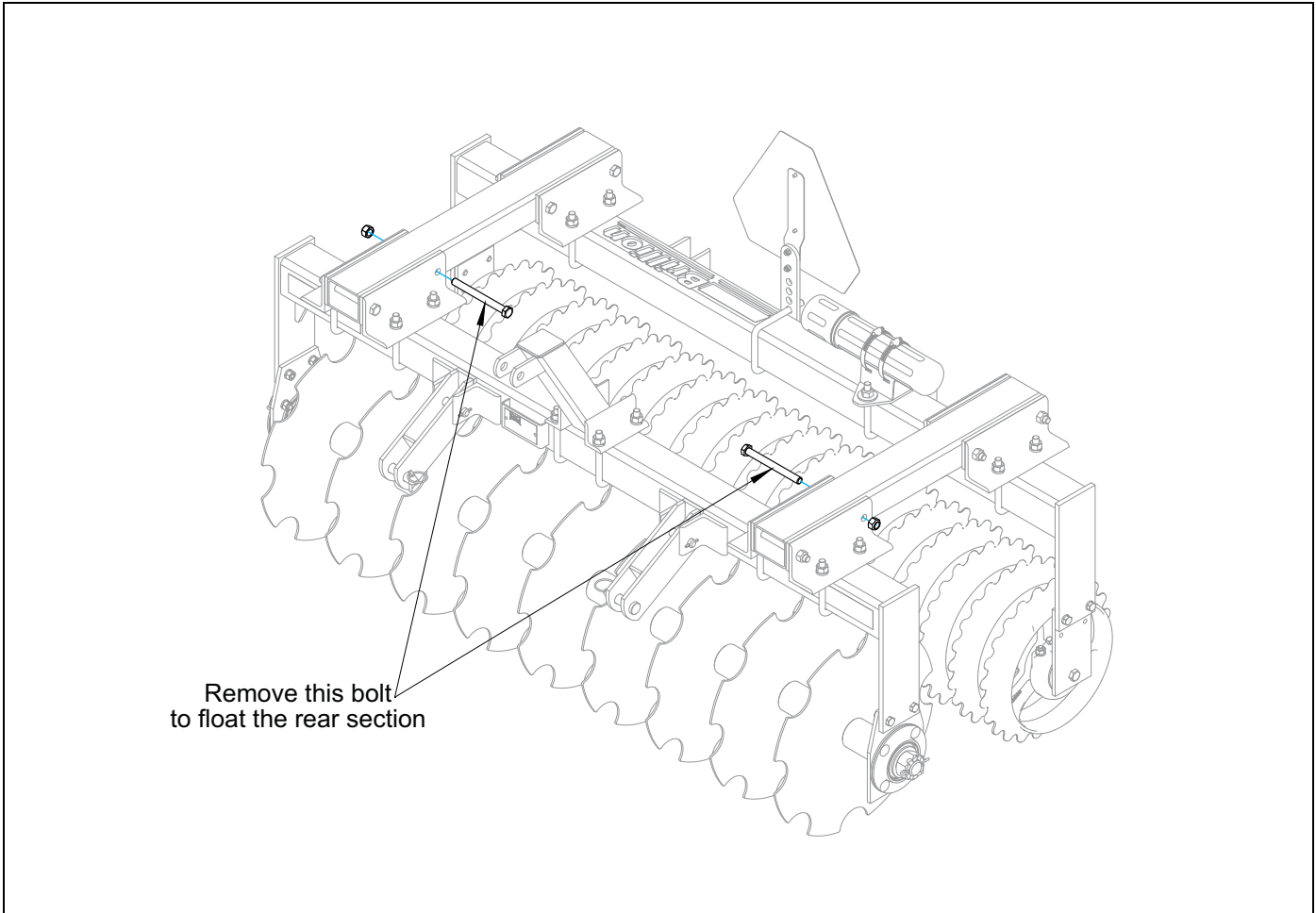


Figure 1-6: Floating Rear Roller

Reversing Direction

The Mulch-Tucker can be reversed so that the Notched Roller Assembly is in the front and the Coulter Assembly is in the rear. This can be achieved by reversing the hitch or reversing the Coulter and Roller Assemblies. See Figures 1-6, 1-7 and 1-8.

Reversing the Hitch

1. Move the upper and lower hitch brackets to the opposite end of the machine
2. Move SMV and Manual Storage Canister to the opposite end of the machine

3. Relocate the bolt that will allow the rear Coulter Assembly to float. The Rear Front Bolt from each Tube that connects the Front and Rear Frames should be removed. (This is needed only if rear section is to float.) See Figure 1-6.
4. Install new reflective decals so that the Amber Decal is visible from the front on the Front Frame Tube and the Red Decal is visible from the rear on the Rear Frame Tube. These can be ordered from your Landoll/Brillion Dealer as follows:
 - 528933 – Red Reflective Decal
 - 528934 – Red Reflective Decal

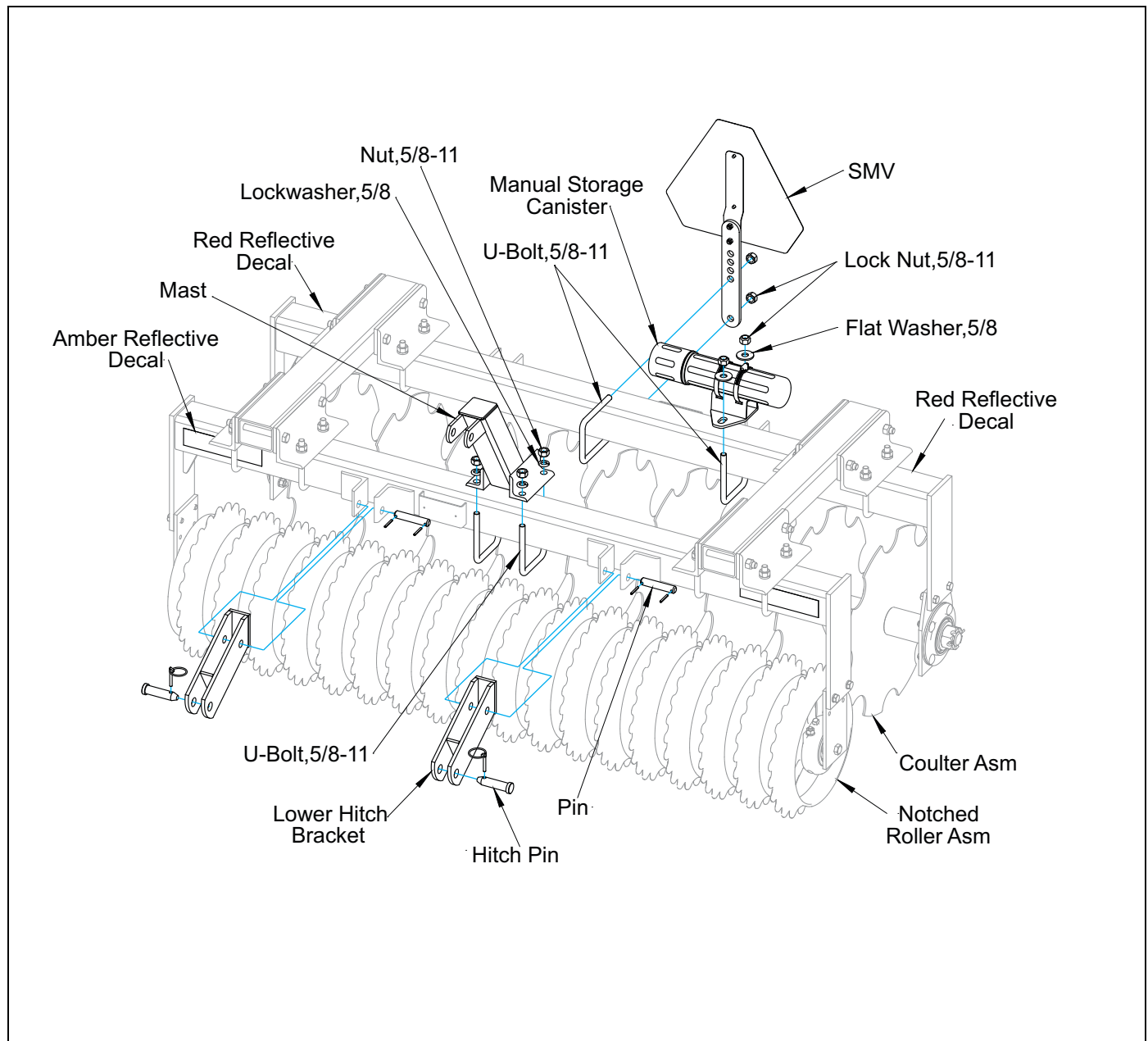


Figure 1-7: Reversing the Hitch

Reversing the Coulter and Roller Assemblies

1. Support front and rear frames.
2. Remove Bolts that attach the Coulter Assembly and Notched Roller Assembly to their respective frames.
3. Switch the position of the Coulter Assembly and Notched Roller Assembly.
4. Attach Notched Roller Assembly to the Front Frame with 1/2-13 x 1-1/4 Bolts, Lockwashers and Nuts
5. Attach Coulter Assembly to the Rear Frame with the 1/2-13 x 1-1/2 Bolts, Lockwashers and Nuts
6. Relocate the bolt that will allow the rear Coulter Assembly to float. The Rear Front Bolt from each Tube that connects the Front and Rear Frames should be removed. (This is needed only if rear section is to float.) **See Figure 1-6.**

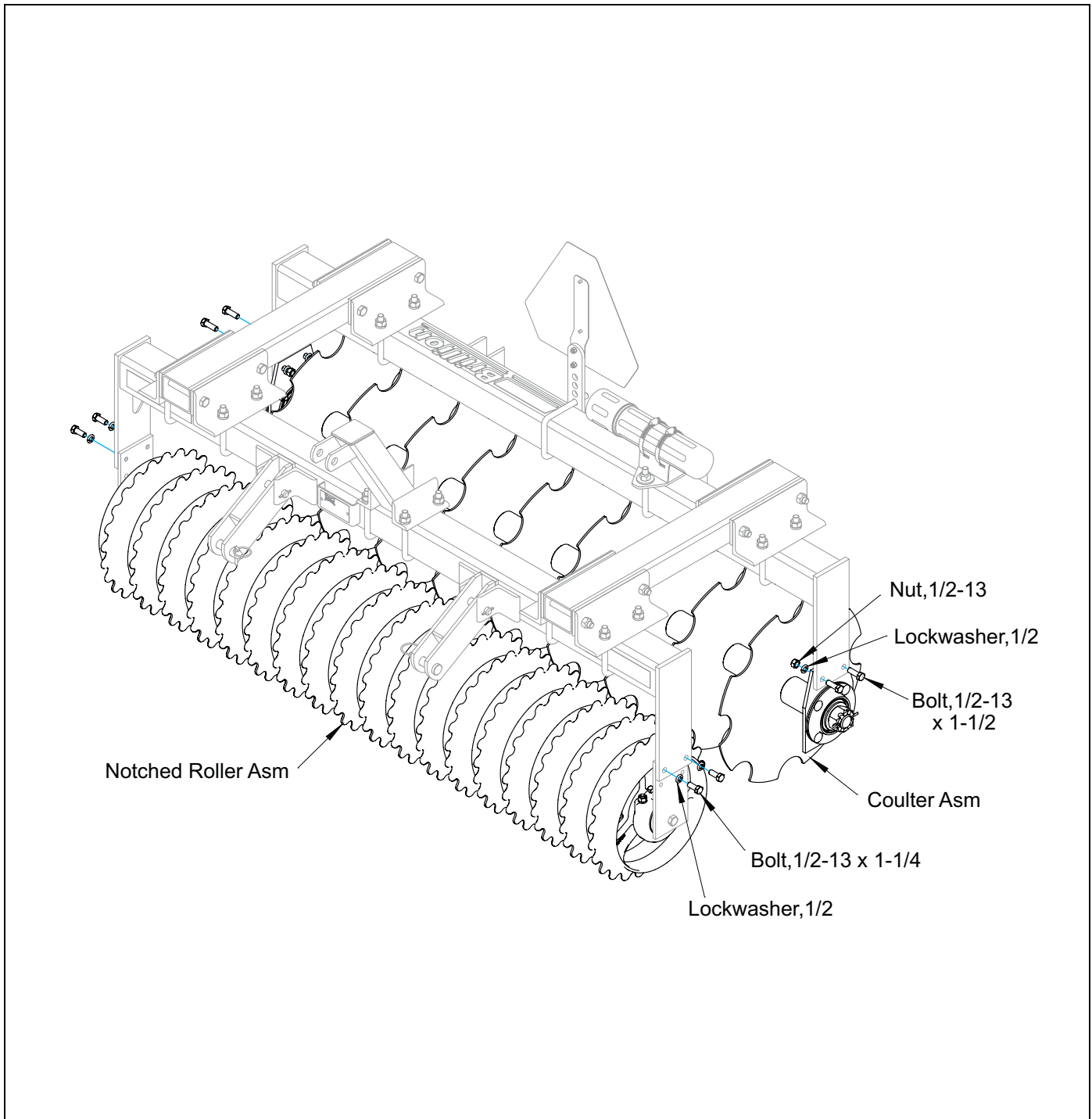


Figure 1-8: Reversing Coulter and Roller Assembly

Field Operation

1. Lower the Mulch Tucker to the ground and pull it a few feet.
2. Check for front-to-rear levelness. Level the frame by adjusting the three-point hitch top link until the frame is level to the ground.
3. After a few hours of initial operation, check all hardware for tightness. Tighten any loose hardware.

Transport

1. Check and follow all federal, state, and local requirements before transporting the Tucker and Mulch Tucker.
2. The Tucker and Mulch Tucker should be transported only by tractor required for field operation. The implement weight should not exceed more than 1.5 times the tractor weight.



CAUTION

Excessive speed may result in loss of control of the tractor and implement, reduced braking ability, or failure of the implement tire or structure. Do not exceed the implement maximum specified ground speed regardless of the capability of the maximum tractor speed.

3. When towing equipment in combination, the maximum equipment ground speed shall be limited to the lowest specified ground speed of any of the towed implements.
4. Maximum transport speed shall be the lesser of travel speed specified in the operator's manual, speed identification symbol, information sign of towed equipment, or limit of road conditions.
5. Slow down when driving on rough roads. Reduce speed when turning, or on curves and slopes to avoid tipping. Equipment altered other than the place of manufacture may reduce the maximum transport speed. Additional weight, added tanks, harrowing attachments, etc. may reduce implement load carrying capabilities.
6. Know the transport heights and widths of the unit before transporting. Use caution when transporting near bridges and power lines.
7. Raise the machine to full transport height.

8. Transport during daylight hours when ever possible. Always use flashing warning lights, except where such use is prohibited by law. Make sure lights, reflectors and SMV emblem are clearly visible and operating. Remove any obstructions such as dirt, mud, stalks or residue that restricts view before transporting.

Reflectors and SMV Sign

Reflectors and a slow moving vehicle sign (SMV) are required if the Mulch Tucker is transported on a public road. **See Figure 1-9.**

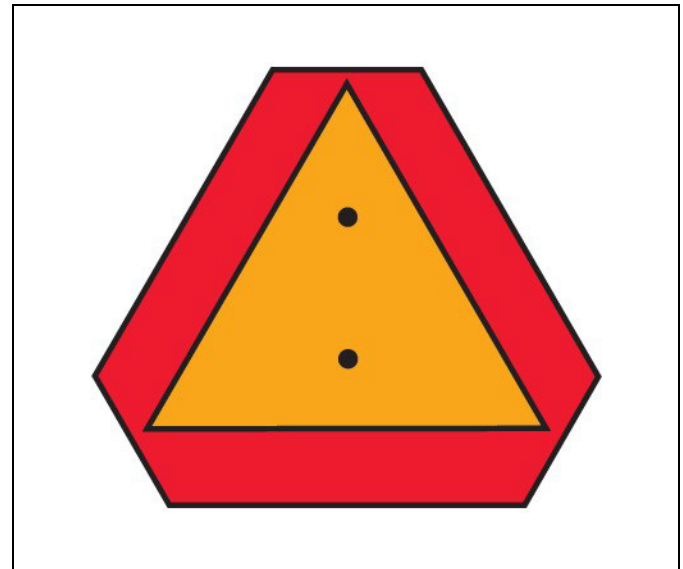


Figure 1-9: SMV Sign

Maintenance and Specifications

Maintenance

General Torque Specifications

This chart provides tightening torques for general purpose applications when special torques are not specified on process or drawing. Assembly torques apply to plated nuts and capscrews assembled without supplemental lubrication (as received condition). They do not apply if special graphite moly-disulfide or other extreme pressure lubricants are used. When fasteners are dry (solvent cleaned) add 33% to as received condition torque. Bolt head identification marks indicate grade and may vary from manufacturer to manufacturer. Thick nuts must be used on grade 8 capscrews. Use value in [] if using prevailing torque nuts

UNC SIZE	SAE Grade 2	SAE Grade 5	SAE Grade 8	UNF SIZE	SAE Grade 2	SAE Grade 5	SAE Grade 8
1/4-20	4 [5]	6 [7]	9 [11]	1/4-28	5 [6]	7 [9]	10 [12]
5/16-18	8 [10]	13 [13]	18 [22]	5/16-24	9 [11]	14 [17]	20 [25]
3/8-16	15 [19]	23 [29]	35 [42]	3/8-24	17 [21]	25 [31]	35 [44]
7/16-14	24 [30]	35 [43]	55 [62]	7/16-20	27 [34]	40 [50]	60 [75]
1/2-13	35 [43]	55 [62]	80 [100]	1/2-20	40 [50]	65 [81]	90 [112]
9/16-12	55 [62]	80 [100]	110 [137]	9/16-18	60 [75]	90 [112]	130 [162]
5/8-11	75 [94]	110 [137]	170 [212]	5/8-18	85 [106]	130 [162]	180 [225]
3/4-10	130 [162]	200 [250]	280 [350]	3/4-16	150 [188]	220 [275]	320 [400]
7/8-9	125 [156]	320 [400]	460 [575]	7/8-14	140 [175]	360 [450]	500 [625]
1-8	190 [237]	408 [506]	680 [850]	1-14	210 [263]	540 [675]	760 [950]
1-1/8-7	270 [337]	600 [750]	960 [1200]	1-1/8-12	300 [375]	660 [825]	1080 [1350]
1-1/4-7	380 [475]	840 [1050]	1426 [1782]	1-1/4-12	420 [525]	920 [1150]	1500 [1875]
1-3/8-6	490 [612]	1010 [1375]	1780 [2225]	1-3/8-12	560 [700]	1260 [1575]	2010 [2512]
1-1/2-6	650 [812]	1460 [1825]	2360 [2950]	1-1/2-12	730 [912]	1640 [2050]	2660 [3325]

Nominal thread diameter (mm)	Newton Meters (Standard Torque)	Foot Pounds (Standard Torque)	Nominal Thread Diameter (mm)	Newton Meters (Standard Torque)	Foot Pounds (Standard Torque)
6	10 [14]	7 [10]	20	385 [450]	290 [335]
7	16 [22]	12 [16]	24	670 [775]	500 [625]
8	23 [32]	17 [24]	27	980 [1105]	730 [825]
10	46 [60]	34 [47]	30	1330 [1470]	990 [1090]
12	80 [125]	60 [75]	33	1790 [1950]	1340 [1450]
14	125 [155]	90 [115]	36	2325 [2515]	1730 [1870]
16	200 [240]	150 [180]	39	3010 [3210]	2240 [2380]
18	275 [330]	205 [245]			

Fasteners

Before operating your Brillion machine, check all hardware for tightness. Use the Tightening Torque Table above as a guide. After a few hours of use, check entire machine and tighten any loose nuts or bolts. Daily or periodic checks should be performed.

When replacing bolts, be sure to use fasteners of equal grade.

IMPORTANT

- If pre-assembled parts or fasteners are temporarily removed, remember where they go. It is best to keep the parts separated.
- Check that all working parts move freely, bolts are tight and cotter pins are spread.

Clamp Tightening Procedure

The tightening procedure and torque requirement is critical in keeping in keeping the clamp tight and also has a significant affect on the bearing life of the axles with internal bearings.

1. Check axle and clamp for burrs on mating surfaces.
2. Remove end play between wheels by sliding wheels toward the fixed end of the axle.
3. Position clamp snugly against the end wheel.
4. Tighten the U-bolt evenly to 57 ft/lbs (U-bolt must be tightened first.) **See Figure 2-1.**
5. Tighten set screws to 37 ft/lbs (Some clamps do not have set screws.)
6. If the axle has an internal bearing, check that it turns freely. You should be able to turn the bearing with your fingers. If rotation is jerky, loosen set screws and U-bolt until bearing turns smoothly. It may be necessary to loosen and reposition clamp.

The torque requirement is recommended for axles without internal bearings, but is not critical.

Axle Installation:

When installing a roller axle with an internal bearing onto a support bracket, it is important to keep the roller axle aligned as straight as possible to the installed position. If the roller assembly is significantly out of line when sliding it into a fixed support, the inner race of the bearing may crack and cause premature bearing failure.

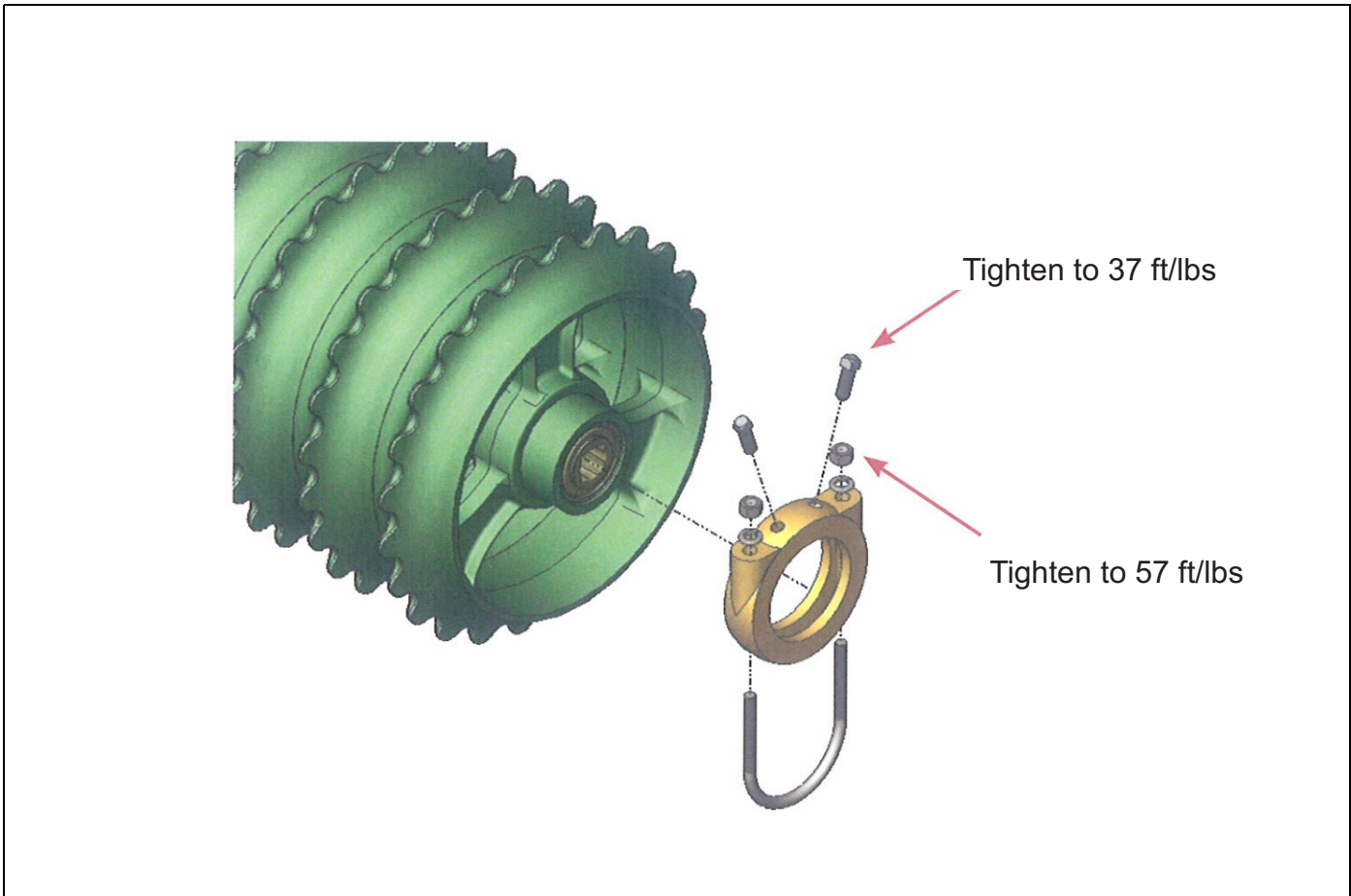


Figure 2-1: Clamp Tightening

Storage

1. The service life of the Mulch Tucker will be extended by proper off-season storage practices. Prior to storing the unit, complete the following procedures:
 - a. Completely clean the unit.
 - b. Inspect the machine for worn or defective parts. Replace as needed.
 - c. Repaint all areas where the original paint is worn off.
 - d. Grease all exposed metal surfaces.
2. Store the unit in a shed or under a tarpaulin to protect it from the weather. The ground tools and tires should rest on boards, or some other object, to keep them out of the soil.

Specifications

	SMT-6	SMT-8	T-6	T-8
Approximate Weight	1,340 lbs. (603 kg)	1,600 lbs. (720 kg)	404 lbs. (182 kg)	491 lbs. (221 kg)
Working Width	6 ft. 0 in. (1.8 m)	8 ft. 0 in. (2.4 m)	6 ft. 0 in. (1.8 m)	8 ft. 0 in. (2.4 m)
Transport Width	6 ft. 8 in. (2.0 m)	8 ft. 8 in. (2.6 m)	6 ft. 8 in. (2.0 m)	8 ft. 8 in. (2.6 m)
Transport Height	Dependent Upon Tractor	Dependent Upon Tractor	Dependent Upon Tractor	Dependent Upon Tractor
Road Clearance	Dependent Upon Tractor	Dependent Upon Tractor	Dependent Upon Tractor	Dependent Upon Tractor
Overall Length	3 ft. 10 in. (1.15 m)	3 ft. 10 in. (1.15 m)	2 ft. 0 in. (0.61 m)	2 ft. 0 in. (0.61 m)
Frame Structure	4 in. x 4 in. (254 mm x 254 mm)	4 in. x 4 in. (254 mm x 254 mm)	4 in. x 4 in. (254 mm x 254 mm)	4 in. x 4 in. (254 mm x 254 mm)
Pulverizer Wheels	16 in. (406 mm) Notched Gray Iron	16 in. (406 mm) Notched Gray Iron	N/A	N/A
Number of Wheels	18	24	N/A	N/A
Axle Size - Pulverizer	4 in. (100 mm)	4 in. (100 mm)	N/A	N/A
Pulverizer Bearings	Triple Sealed	Triple Sealed	N/A	N/A
Tucker Wheels	20 in. x .1875 in. (508 mm x 47 mm)	20 in. x .1875 in. (508 mm x 47 mm)	20 in. x .1875 in. (508 mm x 47 mm)	20 in. x .1875 in. (508 mm x 47 mm)
Number of Tucker Wheels	9	12	9	12
Axle Size - Tucker	1.5 in. (38.1 mm) Square	1.5 in. (38.1 mm) Square	1.5 in. (38.1 mm) Square	1.5 in. (38.1 mm) Square
Tucker Bearings	Triple Sealed Self-Aligning	Triple Sealed Self-Aligning	Triple Sealed Self-Aligning	Triple Sealed Self-Aligning
Three-Point Hitch	Cat. I	Cat. I, II, Quick Hitch Compatible	Cat. I	Cat. I, II, Quick Hitch Compatible
SMV Emblem	Standard	Standard	Standard	Standard
Powder Coat Paint, Red	Standard	Standard	Standard	Standard
Horsepower Requirements	35 HP (26.88 kW) and up	35 HP (26.88 kW) and up	35 HP (26.88 kW) and up	35 HP (26.88 kW) and up
Recommended Operating Speed	3 to 6 MPH (5 to 10 km/h)	3 to 6 MPH (5 to 10 km/h)	3 to 6 MPH (5 to 10 km/h)	3 to 6 MPH (5 to 10 km/h)

Illustrated Parts List

Instructions for Ordering Parts

**** Repair parts must be ordered through an authorized dealer ****

DEALER INSTRUCTIONS FOR ORDERING PARTS FROM LANDOLL PARTS DISTRIBUTION CENTER	
PHONE #: 800-423-4320 OR 785-562-5381 ORDER ONLINE: Dealer.landoll.com	FAX #: 888-527-3909
IDENTIFICATION PLATE	
See Figure 3-1 for the Identification Plate, which lists the model and serial number of the equipment. It is located right of center front on the Seedbed Mulch Tucker.	
SERIAL NUMBER NOMENCLATURE	
The serial number for the Seedbed Mulch Tucker is located on the identification plate. The following information will help decode the Landoll serial number.	
MTC1600100 = xxmysssss	

xx	= model series (i.e. "MT" for all Seedbed Mulch Tucker)
m	= month of manufacture (ex. "C" means March. The letter I is not used.)
yy	= year manufactured (ex. "16" means 2016)
sssss	= Sequential number used to track warranty and service information.

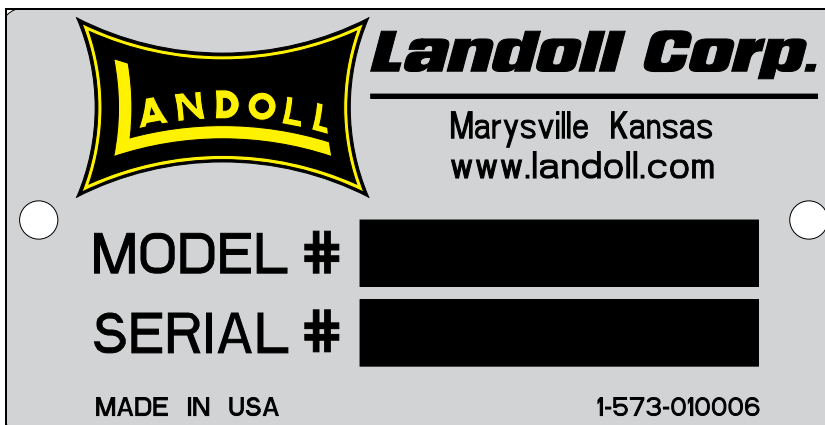


Figure 3-1: ID Plate

T6 Tucker Assembly

ITEM	PART NUMBER	DESCRIPTION	QTY.
1	9J841	6' FRAME WELDMENT	1
2	9J847	HITCH WELDMENT	2
3	9J846	MAST	1
4	6K622	SMT6 COULTER ASSEMBLY (SEE FIGURE 3-11)	1
5	1-512-010007-09	NUT, HEX 1/2-13 ZP	4
6	1-861-010034-13	WASHER, LKG HLCL SPR, 1/2	4
7	1-654-010055-03	SCREW 1/2-13UNCX1-1/2CP GR5	4
8	9J849	CLEVIS PIN (7/8 X 3-1/2)	2
9	1-557-010327	KLIK PIN 1/4 X 1-1/4	2
10	9J848	PIN (3/4 X 3-7/8)	2
11	1-647-010004177	PIN,SPRING SLTD 3/16X1-1/2	4
12	9D989	U-BOLT 5/8-11X5-5/8 X4-11/16	4
13	1-861-010034-15	WASHER,LKG,HLCL SPR,5/8	4
14	1-512-010005-13	NUT,HEX SLFLKG GRB 5/8-11	4
15	104032	NUT, HX SLF-LKG W/MYL 5/16-18	2
16	2P151	SMV EMBLEM W/BRACKET	1
17	1-861-010032-09	WASHER, FLAT 5/16 W ZP/CD	2
18	1-654-010049-05	SCREW HX CP 5/16-18UNCX1 GR5	2
19	1-861-010032-19	WASHER, FLAT 5/8 W ZP/CD	2
20	105-0093	HOSE CLAMP 4-1/2 IDEAL #5264	2
21	8K645	CANISTER BRACKET WELDMENT	1
22	1-116-010019	BOX, MANUAL STORAGE	1
23	9J850	STAND, WELDMENT	1
24	9J851	SCREW,BENT 3/8-16	1
25	1-654-010055-05	SCREW, HEX CAP, 1/2-13UNC X 2	2
26	9J845	BRACKET	1
27	164678	MOUNT, SMV	1
28	1-512-010007-11	NUT, HEX 5/8-11	4

ILLUSTRATED PARTS LIST

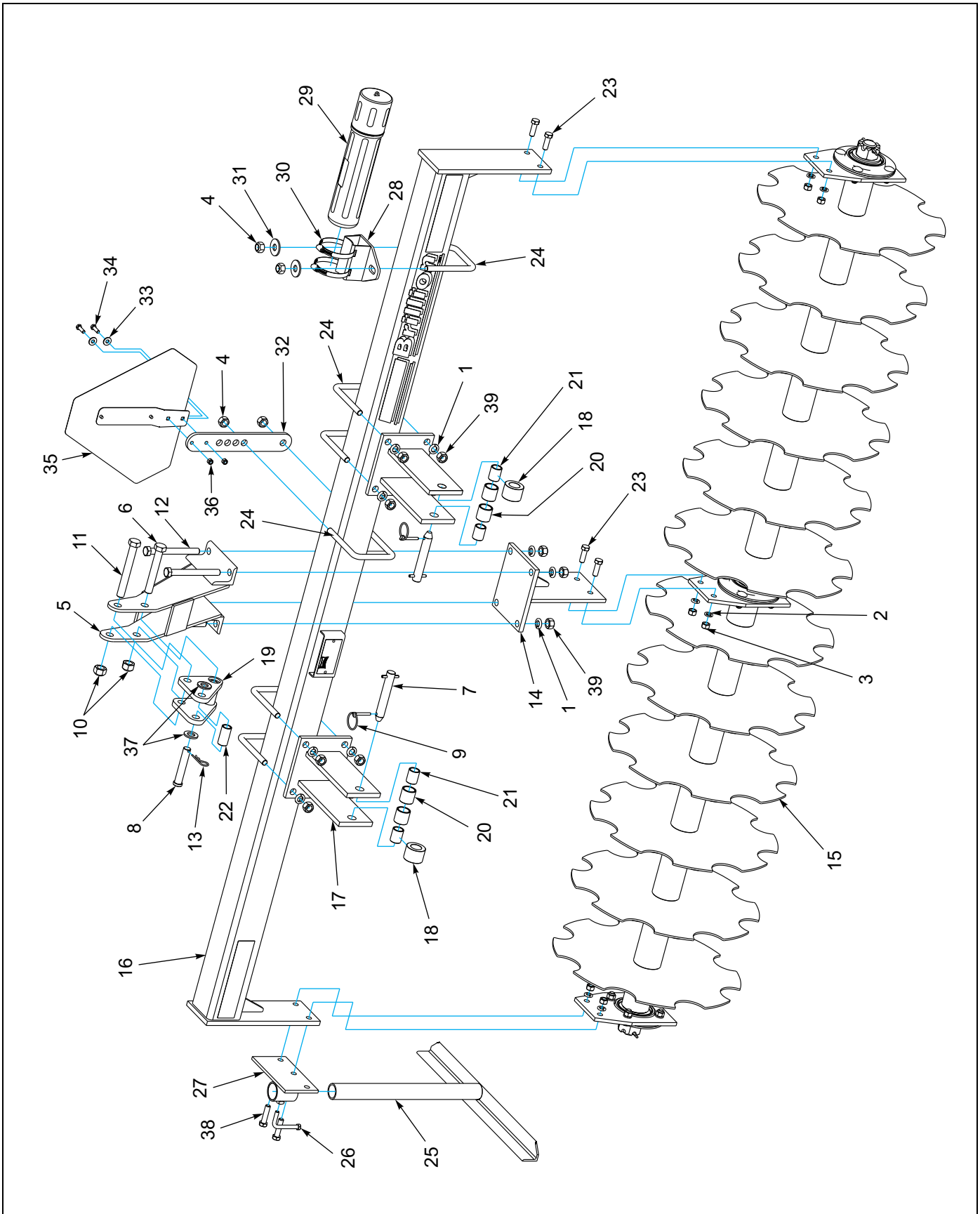


Figure 3-3: T8 Tucker Assembly

T8 Tucker Assembly

ITEM	PART NUMBER	DESCRIPTION	QTY.
1	1-861-010034-15	WASHER,LKG,HLCL SPR,5/8	12
2	1-861-010034-13	WASHER, LKG HLCL SPR, 1/2	6
3	1-512-010007-09	NUT, HEX 1/2-13 ZP	6
4	1-512-010005-13	NUT,HEX SLFLKG GRB 5/8-11	4
5	1P401	MAST WLMT, SPECIAL	1
6	1-654-010061-15	SCREW, HEX CP 3/4-10UNCX5 GR5	1
7	3J910	CLEVIS PIN (7/8 X 5-5/8)	2
8	5C077	CLEVIS PIN (3/4 X 4)	1
9	1-557-010327	KLIK PIN 1/4 X 1-1/4	2
10	1-512-010005-15	NUT, HEX SLFLKG GRB 3/4-10	2
11	W908409-4	SCR 3/4-10X6 HEX HD CAP	1
12	1-654-010059-17	SCREW, HX CP 5/8-11UNCX6 GR5	4
13	6J448	HAIRPIN COTTER 1/8	1
14	6K973	CENTER BRACKET	1
15	6K975	8' COULTER ASSEMBLY (SEE FIGURE 3-12)	1
16	6K982	8' FRAME WELDMENT	1
17	6K983	HITCH BRACKET	2
18	6K984	SLEEVE (2 OD X 1-13/32 LG)	2
19	7K107	FLOAT LINK	1
20	7K226	SLEEVE- 1-7/16OD X 1 13/32 LG	4
21	7K227	SLEEVE- 1 1/8 OD X 1 13/32 LG	4
22	7K229	SLEEVE - 1 OD X 2 LG	1
23	1-654-010055-03	SCREW, HEX CAP, 1/2-13UNC1-1/2	4
24	9D989	U-BOLT 5/8-11X5-5/8 X4-11/16	6
25	9J850	STAND, WELDMENT	1
26	9J851	SCREW,BENT 3/8-16	1
27	9J845	BRACKET	1
28	8K645	CANISTER BRACKET WELDMENT	1
29	1-116-010019	BOX, MANUAL STORAGE	1
30	105-0093	HOSE CLAMP 4-1/2 IDEAL #5264	2
31	1-861-010032-19	WASHER, FLAT 5/8 W ZP/CD	2
32	164678	MOUNT, SMV	1
33	1-861-010032-09	WASHER, FLAT 5/16 W ZP/CD	2
34	1-654-010049-05	SCREW HX CP 5/16-18UNCX1 GR5	2
35	2P151	SMV EMBLEM W/BRACKET	1
36	104032	NUT, HX SLF-LKG W/MYL 5/16-18	2
37	1-861-010032-20	WASHER, FLAT 3/4 N ZP/CD	2
38	1-654-010055-05	HHCS, 1/2-13 X 2	2
39	1-512-010007-11	NUT, HEX 5/8-11	12

ILLUSTRATED PARTS LIST

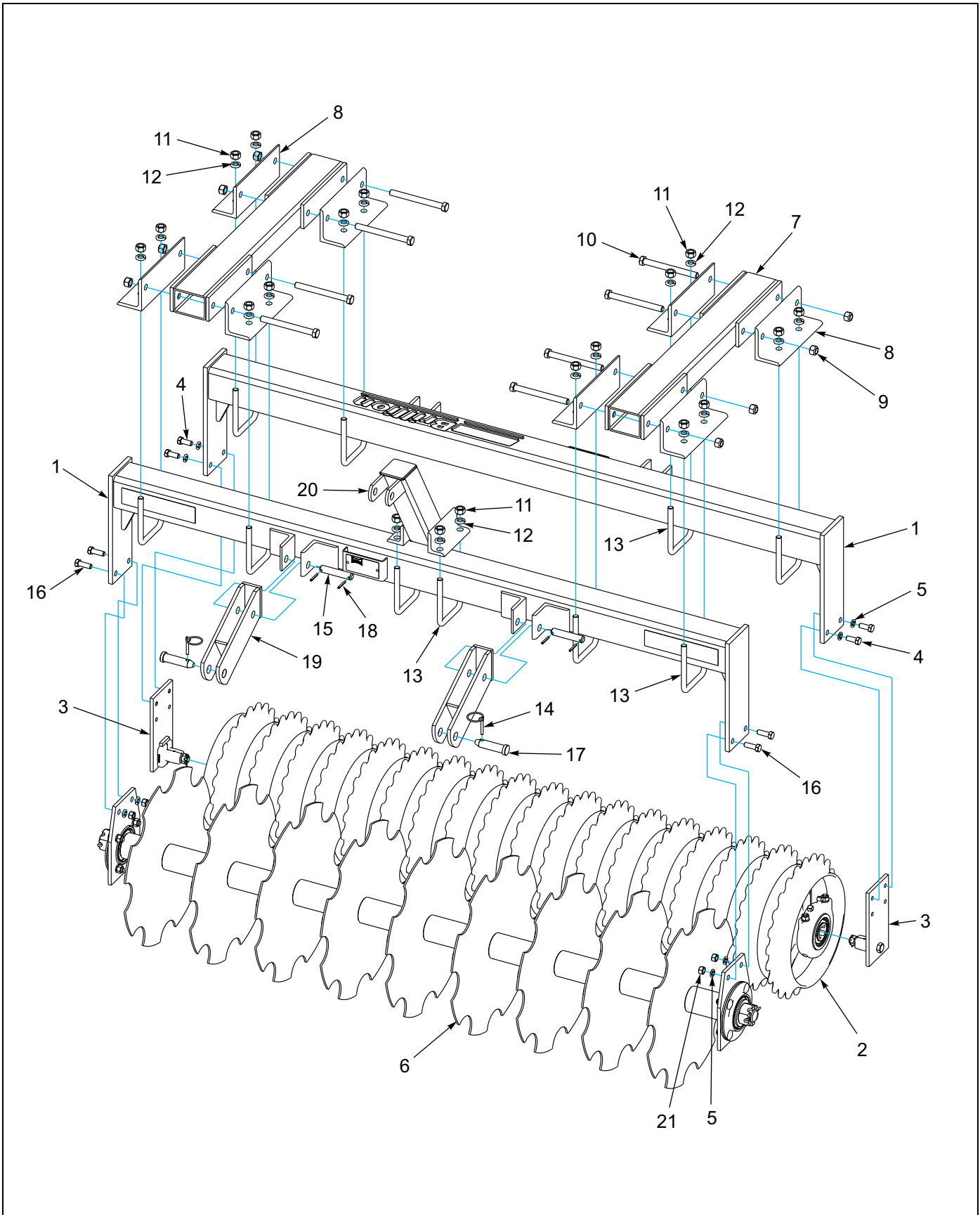


Figure 3-4: SMT6 Assembly

SMT6 Assembly

ITEM	PART NUMBER	DESCRIPTION	QTY.
1	9J841	6' FRAME WELDMENT	2
2	9J839	WHEEL & AXLE ASSEM - 6' (SEE FIGURE 3-6)	1
3	2K994	MOUNTING PLATE ASSEMBLY (SEE FIGURE 3-10)	2
4	1-654-010055-02	SCREW, 1/2-13UNCX1-1/4CP GR5	4
5	1-861-010034-13	WASHER, LKG HLCL SPR, 1/2	8
6	6K622	SMT6 COULTER ASSEMBLY (SEE FIGURE 3-11)	1
7	2K544	TUBE	2
8	2K545	ANGLE	8
9	1-512-010005-13	NUT,HEX SLFLKG GRB 5/8-11	8
10	107-0018	HHCS 5/8-11X6-1/2LG GR5	8
11	1-512-010007-11	NUT, HEX 5/8-11 GR2 ZP	20
12	1-861-010034-15	WASHER,LKG,HLCL SPR,5/8	20
13	9D989	U-BOLT 5/8-11X5-5/8 X4-11/16	10
14	1-557-010327	KLIK PIN 1/4 X 1-1/4	2
15	9J848	PIN (3/4 X 3-7/8)	2
16	1-654-010055-03	SCREW, HEX CAP, 1/2-13UNC1-1/2	4
17	9J849	CLEVIS PIN (7/8 X 3-1/2)	2
18	1-647-010004177	PIN,SPRING SLTD 3/16X1-1/2	4
19	9J847	HITCH WELDMENT	2
20	9J846	MAST	1
21	1-512-010007-09	NUT, HEX 1/2-13 ZP	4

ILLUSTRATED PARTS LIST

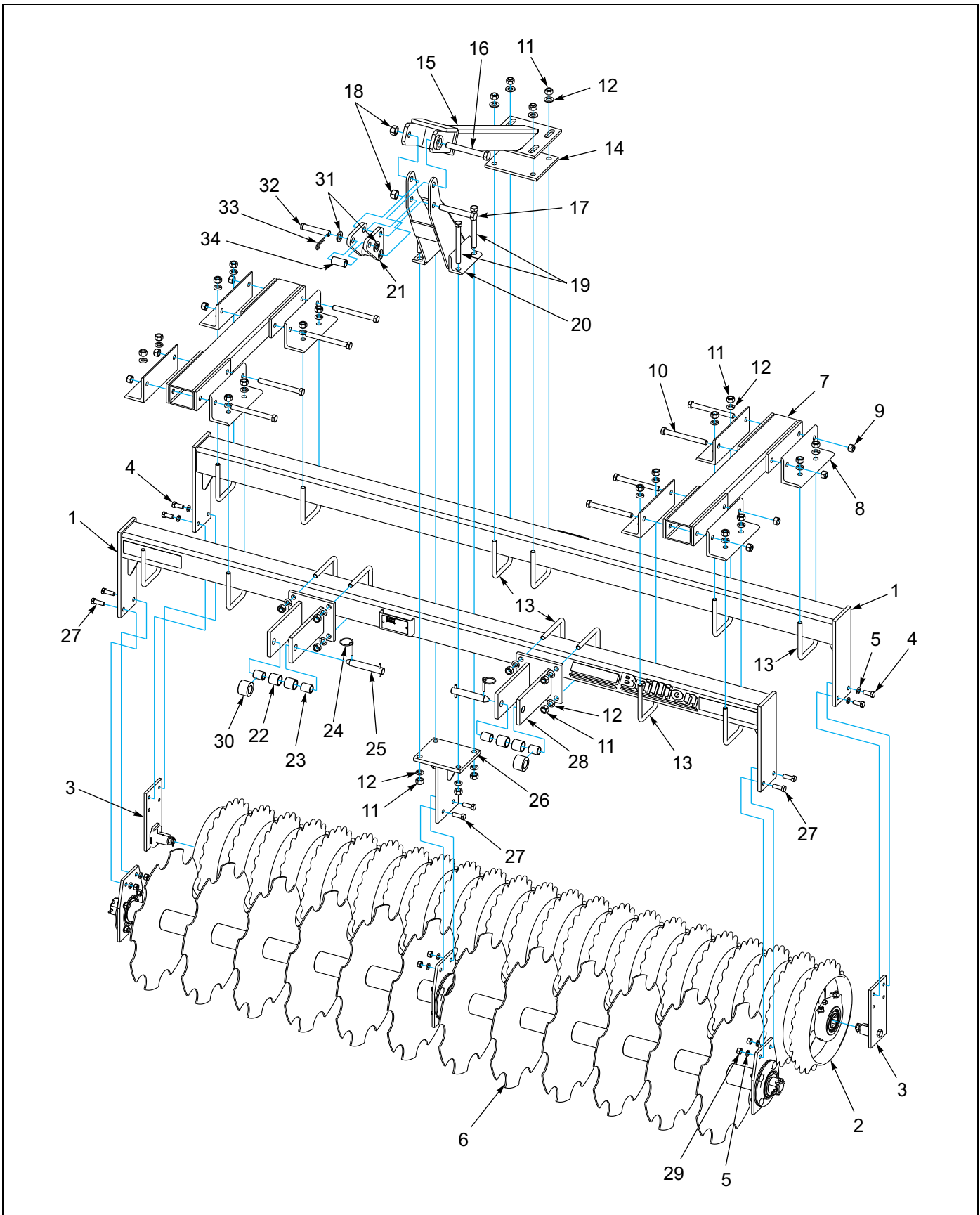


Figure 3-5: SMT8 Assembly

SMT8 Assembly

ITEM	PART NUMBER	DESCRIPTION	QTY.
1	6K982	8' FRAME WELDMENT	2
2	9J840	WHEEL & AXLE ASSEM - 8' (SEE FIGURE 3-6)	1
3	2K994	MOUNTING PLATE ASSEMBLY (SEE FIGURE 3-10)	2
4	1-654-010055-02	SCREW 1/2-13UNCX1-1/4CP GR5	4
5	1-861-010034-13	WASHER, LKG HLCL SPR, 1/2	10
6	6K975	8' COULTER ASSEMBLY (SEE FIGURE 3-12)	1
7	2K544	TUBE	2
8	2K545	ANGLE	8
9	1-512-010005-13	NUT,HEX SLFLKG GRB 5/8-11	8
10	107-0018	HHCS 5/8-11X6-1/2LG GR5	8
11	1-512-010007-11	NUT, HEX 5/8-11 GR2 ZP	32
12	1-861-010034-15	WASHER,LKG,HLCL SPR,5/8	32
13	9D989	U-BOLT 5/8-11X5-5/8 X4-11/16	14
14	1P403	PLATE	1
15	1P402	MAST SUPPORT ARM WLMT	1
16	W908409-4	SCR 3/4-10X6 HEX HD CAP	1
17	1-654-010061-15	SCREW, HEX CP 3/4-10UNCX5 GR5	1
18	1-512-010005-15	NUT, HEX SLFLKG GRB 3/4-10	2
19	1-654-010059-17	SCREW, HX CP 5/8-11UNCX6 GR5	4
20	1P401	MAST WLMT, SPECIAL	1
21	7K107	FLOAT LINK	1
22	7K226	SLEEVE- 1-7/16 OD X 1 13/32 LG	4
23	7K227	SLEEVE- 1 1/8 OD X 1 13/32 LG	4
24	1-557-010327	KLIK PIN 1/4 X 1-1/4	2
25	3J910	CLEVIS PIN (7/8 X 5-5/8)	2
26	6K973	CENTER BRACKET	1
27	1-654-010055-03	SCREW, HEX CAP, 1/2-13UNC1-1/2	6
28	6K983	HITCH BRACKET	2
29	1-512-010007-09	NUT, HEX 1/2-13 ZP	6
30	6K984	SLEEVE (2 OD X 1-13/32 LG)	2
31	1-861-010032-20	WASHER, FLAT 3/4 N ZP/CD	2
32	5C077	CLEVIS PIN (3/4 X 4)	1
33	6J448	HAIRPIN COTTER 1/8	1
34	7K229	SLEEVE - 1 OD X 2 LG	1

ILLUSTRATED PARTS LIST

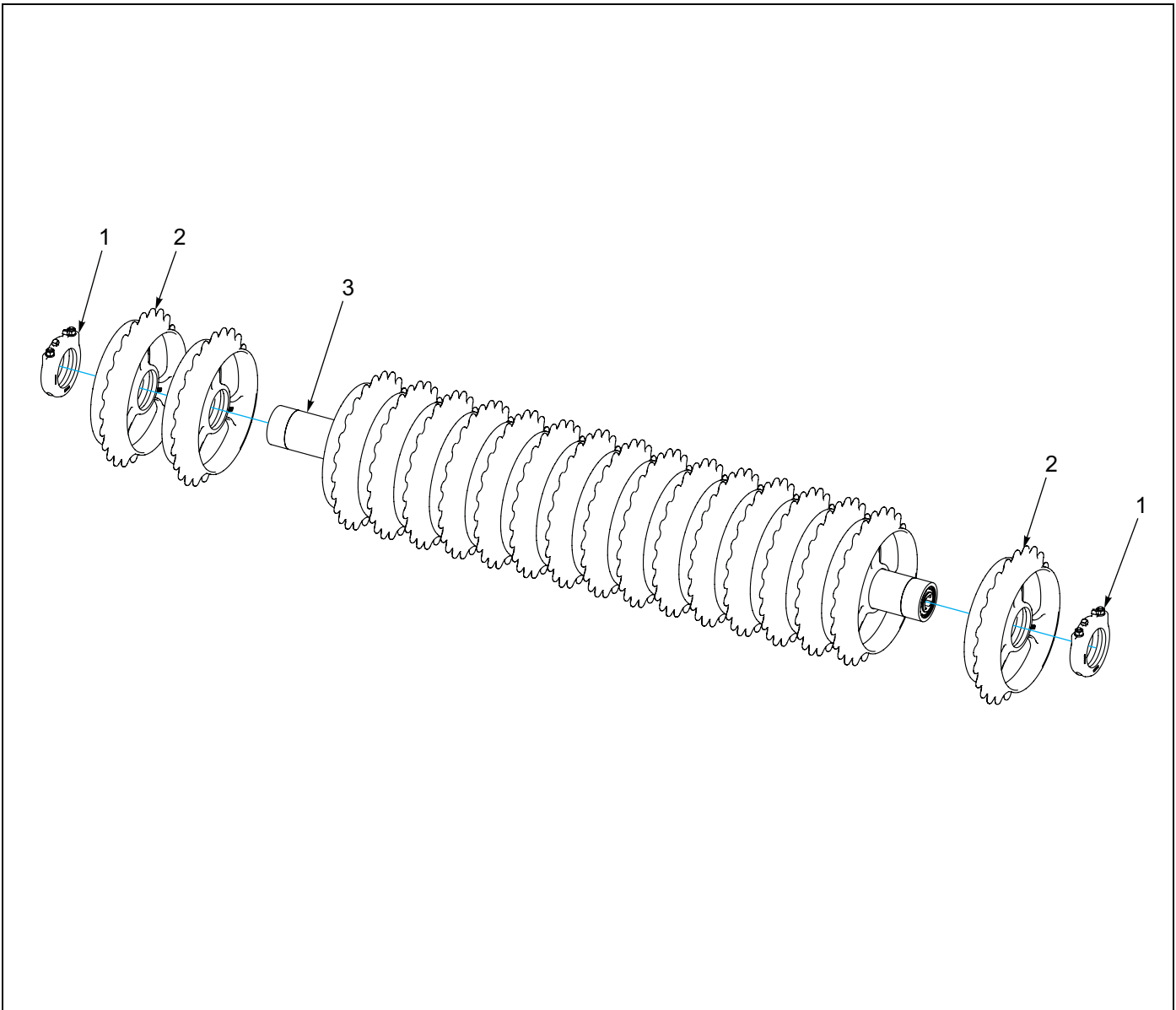


Figure 3-6: Wheel and Axle Assemblies

Wheel and Axle Assembly (Shown)

ITEM	PART NUMBER	DESCRIPTION	QTY.
	9J839	WHEEL & AXLE ASSEM - 6FT	
1	5J375	AXLE CLAMP ASSEM (SEE FIGURE 3-7)	2
2	8C988	16" NOTCHED WHEEL	18
3	9J875	PIPE AXLE ASSY - 73 1/8" (SEE FIGURE 3-8)	1

Wheel and Axle Assembly

ITEM	PART NUMBER	DESCRIPTION	QTY.
	9J840	WHEEL & AXLE ASSEM - 8FT	
1	5J375	AXLE CLAMP ASSEM (SEE FIGURE 3-7)	2
2	8C988	16" NOTCHED WHEEL	24
3	9J874	PIPE AXLE ASSY - 97 1/8" (SEE FIGURE 3-8)	1

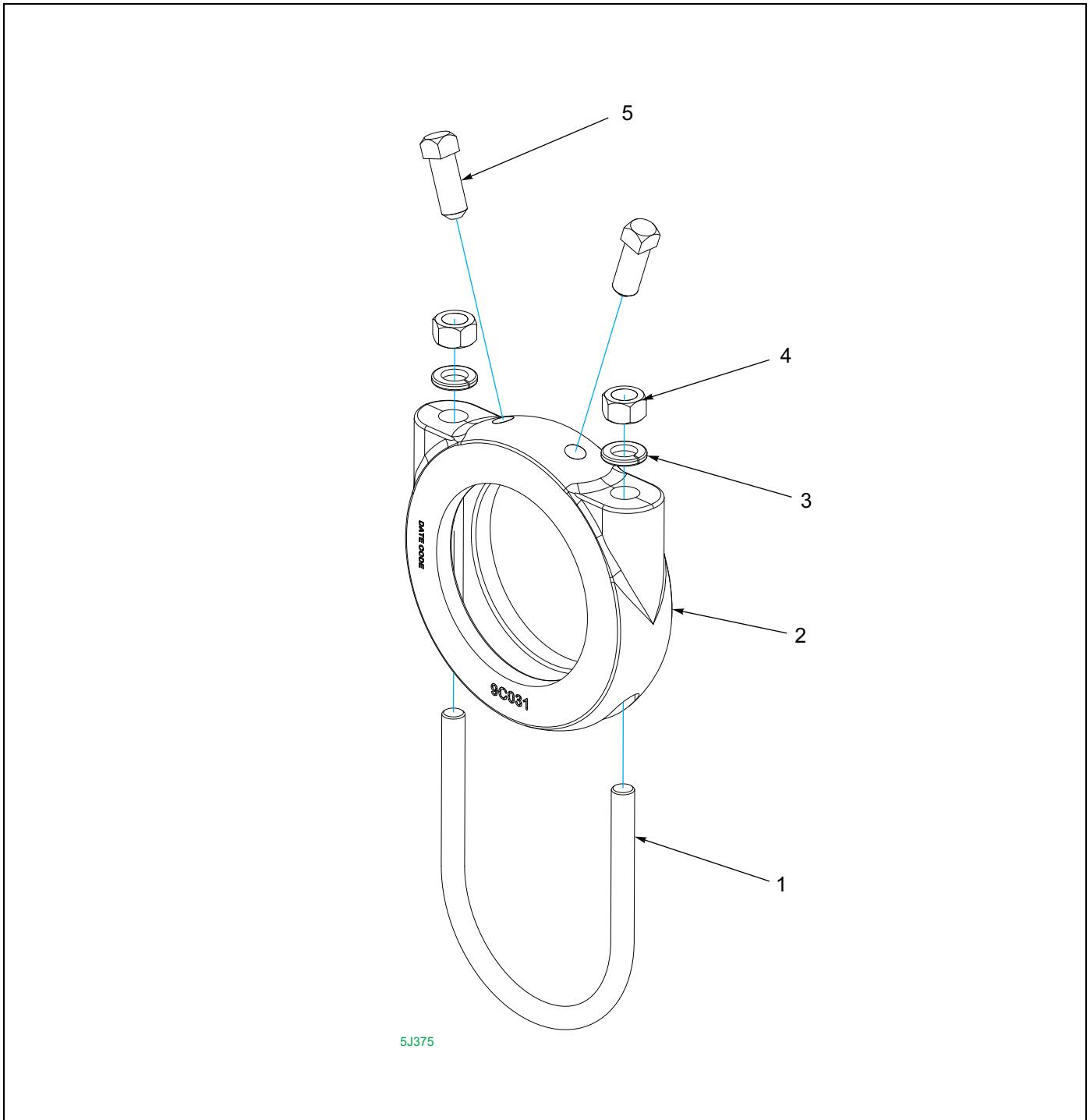


Figure 3-7: Axle Clamp Assembly

Axle Clamp Assembly

ITEM	PART NUMBER	DESCRIPTION	QTY.
	5J375	AXLE CLAMP ASSEM	
1	9D673	U-BOLT 1/2-13 X 3-1/4 X 4-9/16	1
2	9C031	AXLE CLAMP	1
3	1-861-010034-13	WASHER, LKG HLCL SPR, 1/2	2
4	1-512-010007-09	NUT, HEX 1/2-13 ZP	2
5	1-654-010080-2	SCREW SET 1/2X1-1/4 SQHD CP PT	2

ILLUSTRATED PARTS LIST

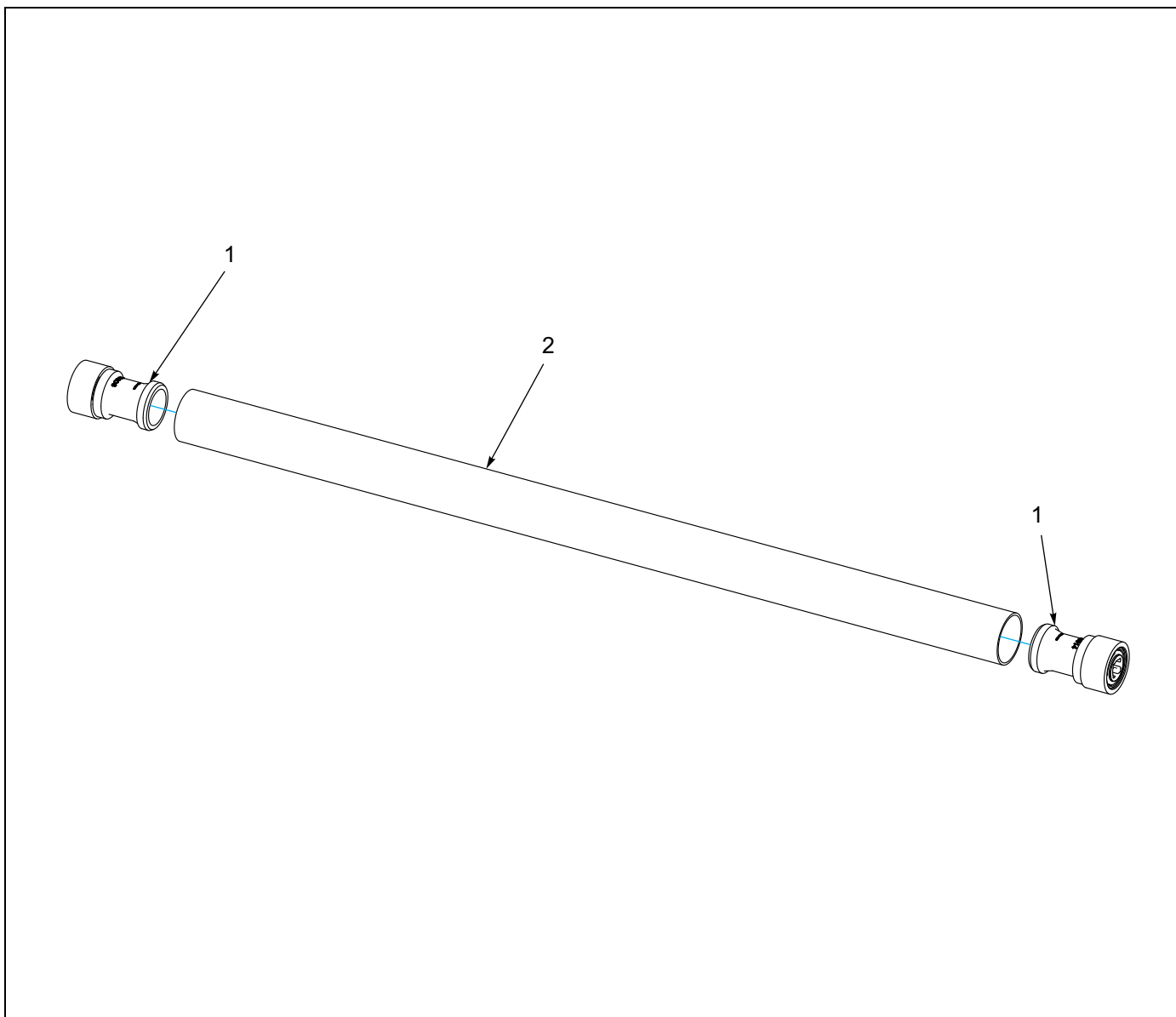


Figure 3-8: Pipe Axle Assemblies

Pipe Axle Assembly - 73 1/8"

ITEM	PART NUMBER	DESCRIPTION	QTY.
	9J875	PIPE AXLE ASSY - 73 1/8"	
1	9C182	OUTER BEARING HOUSING ASSY. (SEE FIGURE 3-9)	2
2	9J873	AXLE PIPE (NOT SOLD SEPARATELY ORDER ASSEMBLY TO REPLACE)	1

Pipe Axle Assembly - 97 1/8"

ITEM	PART NUMBER	DESCRIPTION	QTY.
	9J874	PIPE AXLE ASSY - 97 1/8"	
1	9C182	OUTER BEARING HOUSING ASSY. (SEE FIGURE 3-9)	2
2	9J872	AXLE PIPE (NOT SOLD SEPARATELY ORDER ASSEMBLY TO REPLACE)	1

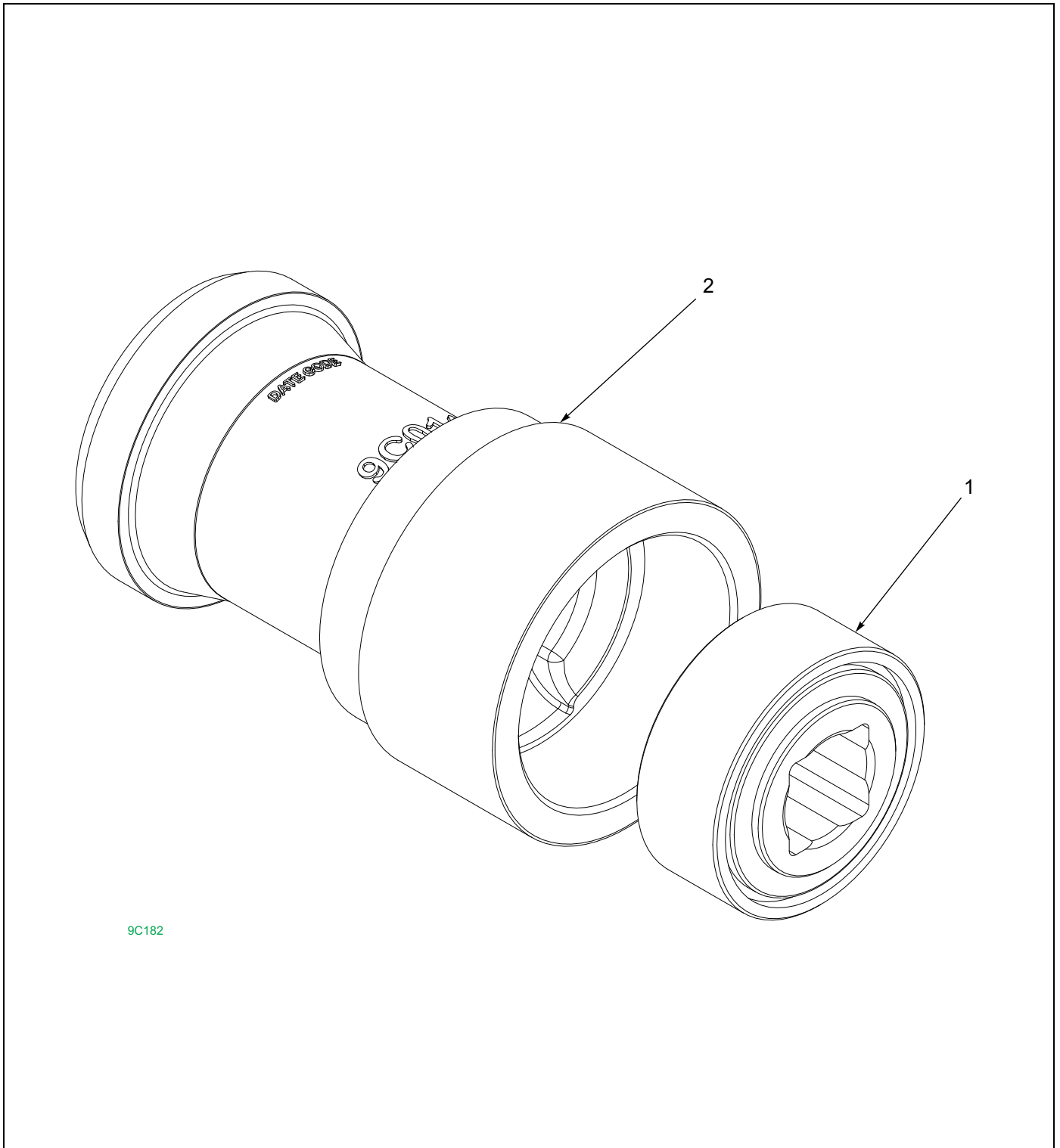


Figure 3-9: Bearing Housing Assembly, Outer

Bearing Housing Assembly, Outer

ITEM	PART NUMBER	DESCRIPTION	QTY.
	9C182	OUTER BEARING HOUSING ASSY.	
1	9C016	BEARING	1
2	9C014	OUTER BEARING HOUSING	1

ILLUSTRATED PARTS LIST

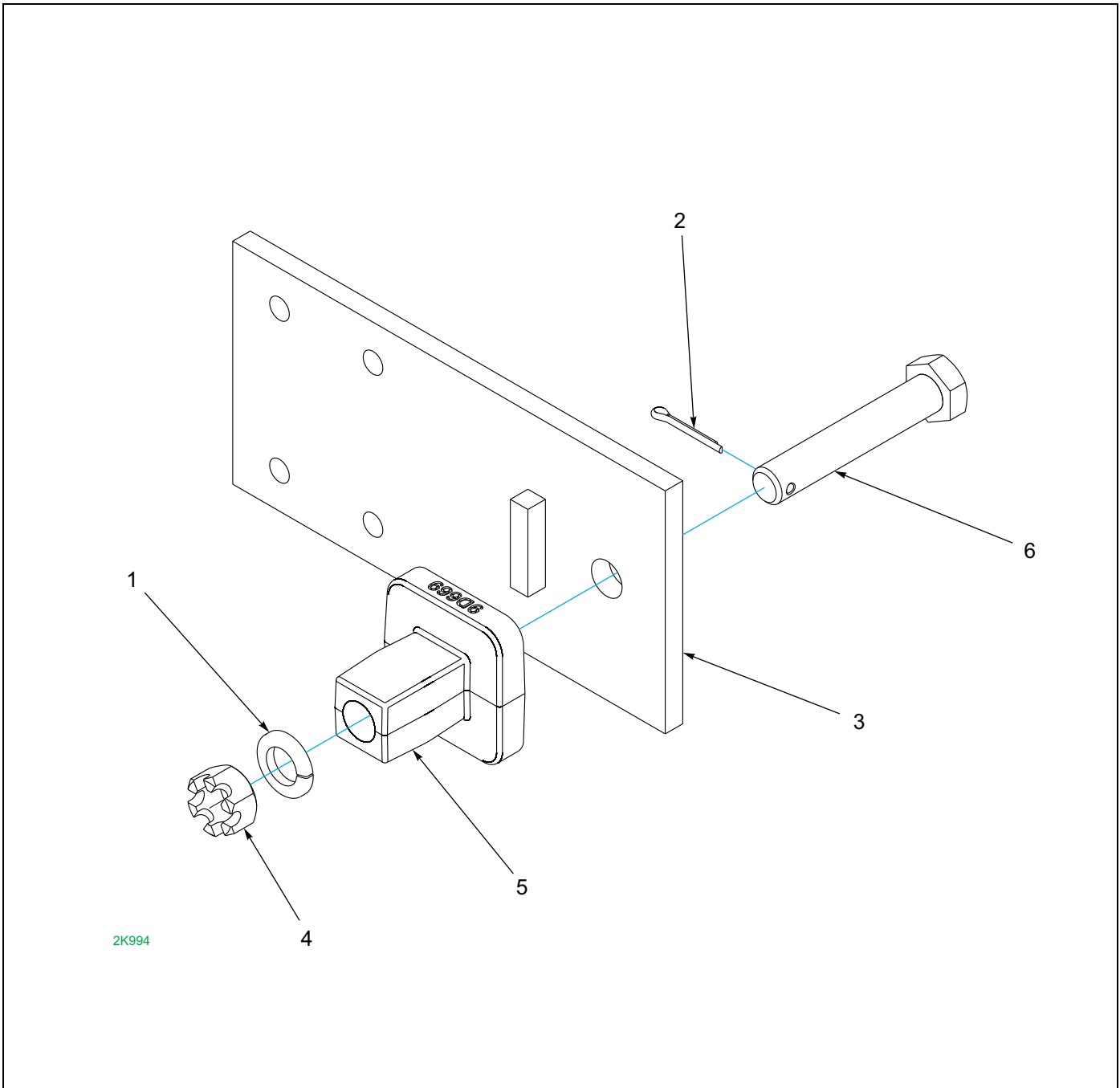


Figure 3-10: Mounting Plate Assembly

Mounting Plate Assembly

ITEM	PART NUMBER	DESCRIPTION	QTY.
	2K994	MOUNTING PLATE ASSEMBLY	
1	1-861-010034-15	WASHER,LKG, HLCL SPR,5/8	1
2	101386	PIN, COTTER, 1/8X1	1
3	2K546	MOUNTING PLATE	1
4	4D529	SLOTTED NUT 5/8-11 ZP	1
5	9D669	STRAIGHT AXLE MOUNT	1
6	9D864	DRILLED BOLT, 5/8-11 X 3-1/2	1

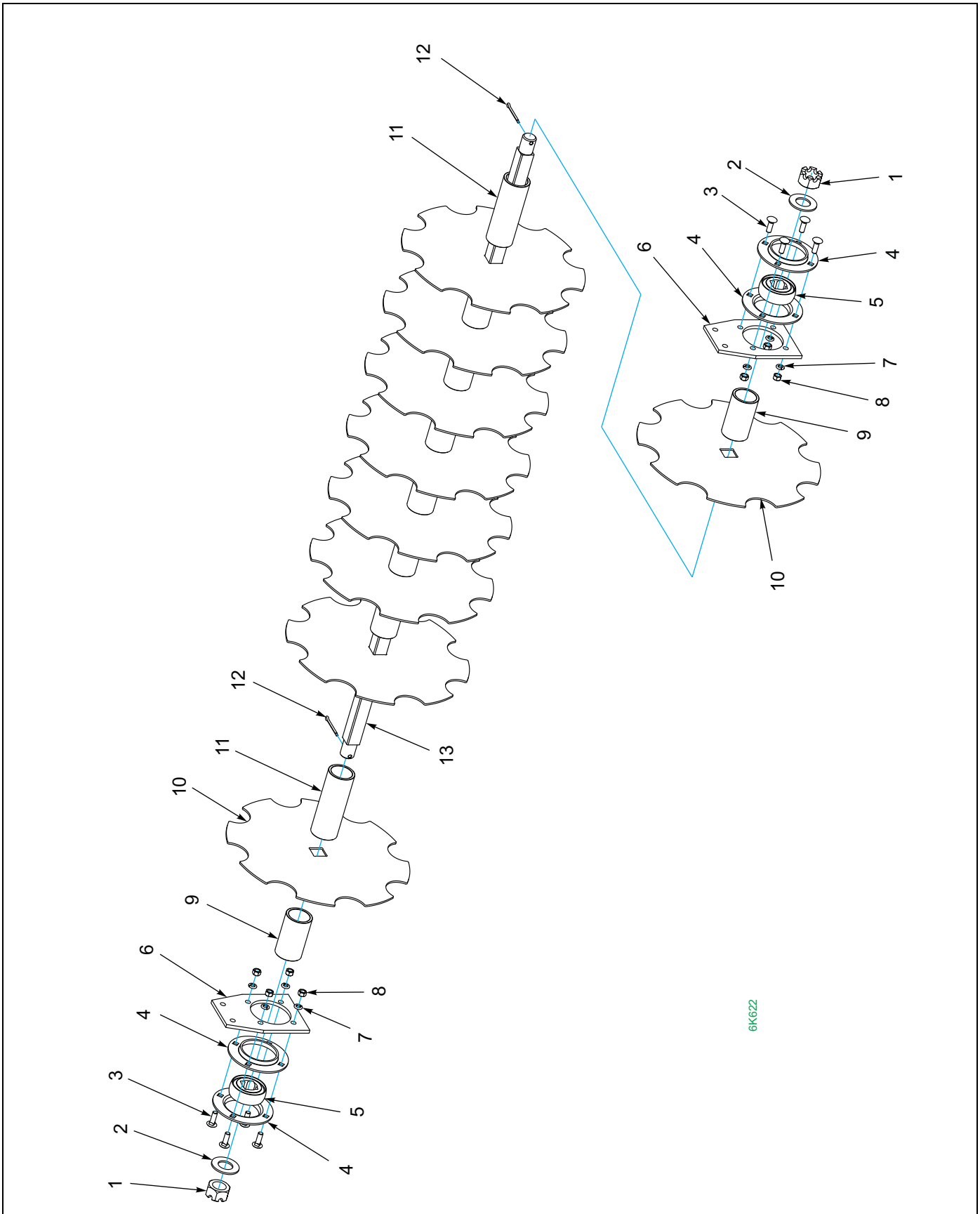
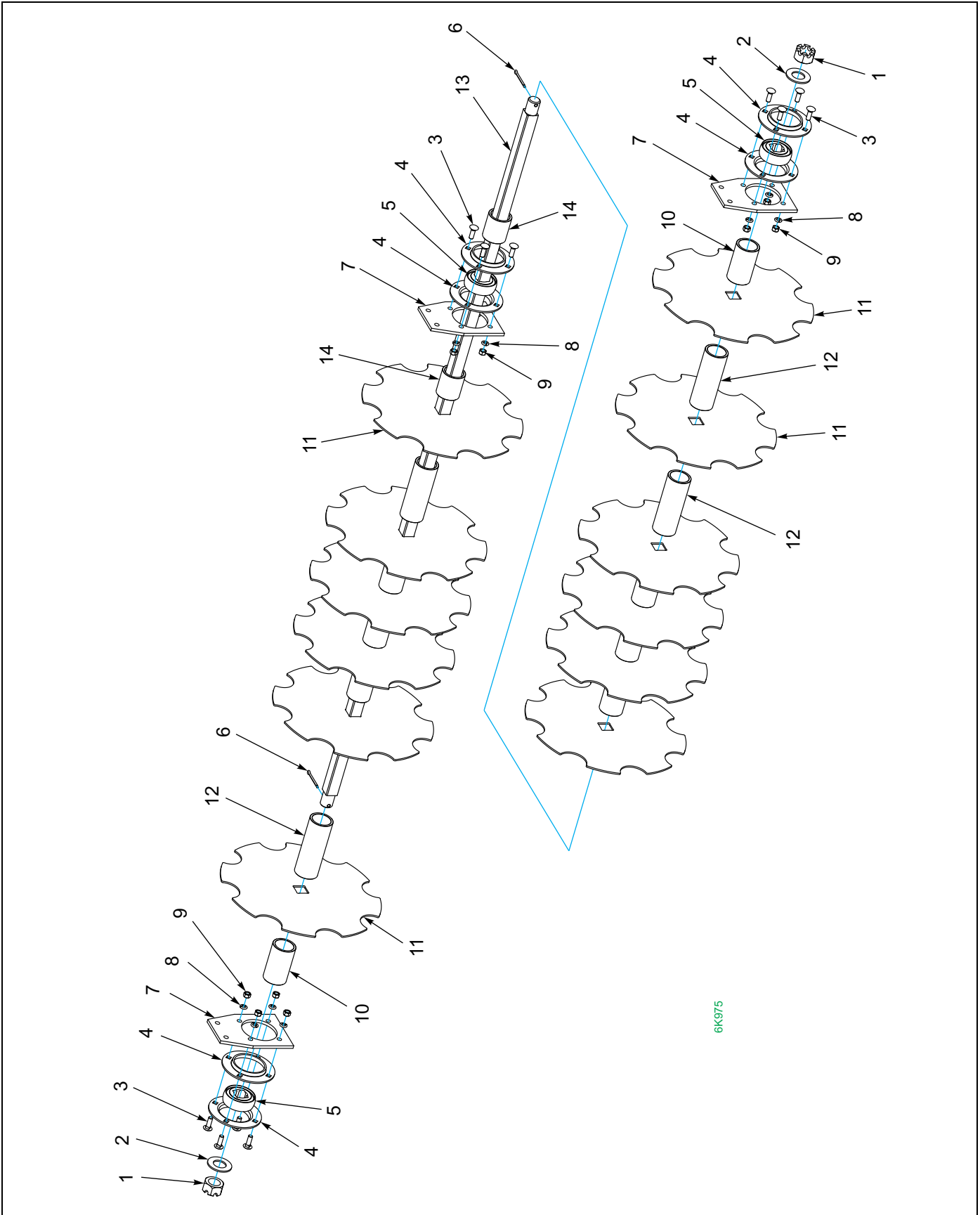


Figure 3-11: 6ft Coulter Assembly

6ft Coultter Assembly

ITEM	PART NUMBER	DESCRIPTION	QTY.
	6K622	SMT6 COULTER ASSEMBLY	
1	1-516-010001-27	NUT, HX SLOT 1-1/2-6 ZP	2
2	1-861-010032-32	WASHER FLAT ZP/CD 1-1/2	2
3	1-654-010070-03	SCREW RDHD SQNK 1/2-13 X 1-1/2	8
4	3K045	BEARING FLANGE ZINC PLATED	4
5	3J131	BEARING	2
6	2K543	PLATE	2
7	1-861-010034-13	WASHER, LKG HLCL SPR, 1/2	8
8	1-512-010007-09	NUT, HEX 1/2-13 ZP	8
9	2K541	SPACER - 4.914 LONG	2
10	2K540	20" NOTCHED COULTER	9
11	2K542	SPACER - 7 13/16" (COLD CUT)	8
12	1-557-010362-65	PIN, COTTER 1/4 X 2-1/2 ZP	2
13	6K623	SQUARE SHAFT	1

ILLUSTRATED PARTS LIST



6K975

Figure 3-12: 8ft Coulter Assembly

8ft Coultter Assembly

ITEM	PART NUMBER	DESCRIPTION	QTY.
	6K975	8' COULTER ASSEMBLY	
1	1-516-010001-27	NUT, HX SLOT 1-1/2-6 ZP	2
2	1-861-010032-32	WASHER FLAT ZP/CD 1-1/2	2
3	1-654-010070-03	SCREW RDHD SQNK 1/2-13 X 1-1/2	12
4	3K045	BEARING FLANGE ZINC PLATED	6
5	3J131	BEARING	3
6	1-557-010362-65	PIN, COTTER 1/4 X 2-1/2 ZP	2
7	2K543	PLATE	3
8	1-861-010034-13	WASHER, LKG HLCL SPR, 1/2	12
9	1-512-010007-09	NUT, HEX 1/2-13 ZP	12
10	2K541	SPACER - 4.914 LONG	2
11	2K540	20" NOTCHED COULTER	12
12	2K542	SPACER - 7 13/16" (COLD CUT)	10
13	2K539	SQUARE SHAFT	1
14	6K976	3 1/4" SPACER	2

ILLUSTRATED PARTS LIST

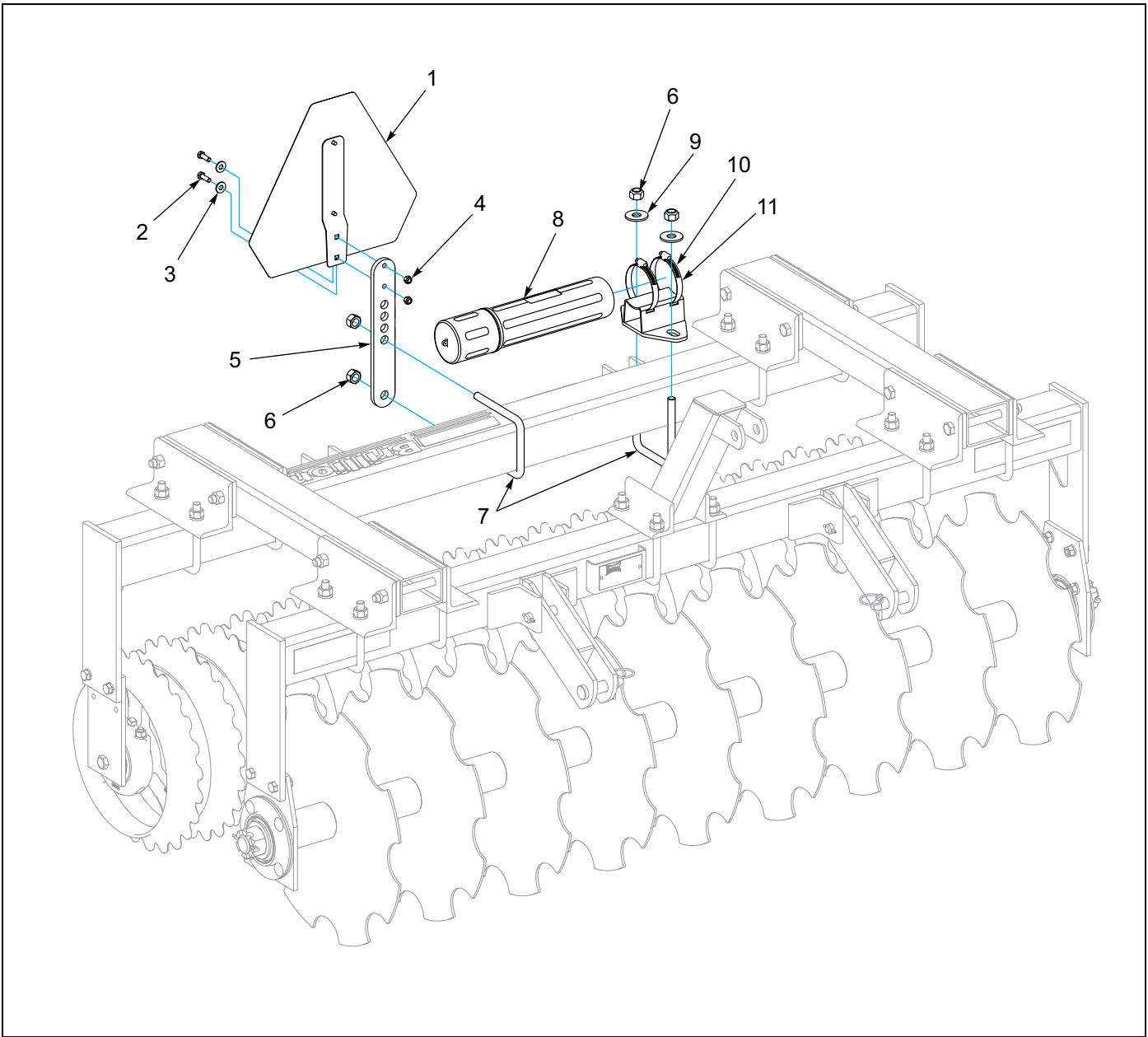


Figure 3-13: SMV Sign and Manual Canister

SMV Sign and Manual Canister

ITEM	PART NUMBER	DESCRIPTION	QTY.
1	2P151	SMV EMBLEM W/BRACKET	1
2	1-654-010049-05	SCREW HX CP 5/16-18UNCX1 GR5	2
3	1-861-010032-09	WASHER, FLAT 5/16 W ZP/CD	2
4	104032	NUT, HX SLF-LKG W/MYL 5/16-18	2
5	164678	MOUNT, SMV	1
6	1-512-010005-13	NUT,HEX SLFLKG GRB 5/8-11	4
7	9D989	U-BOLT 5/8-11X5-5/8 X4-11/16	2
8	1-116-010019	BOX, MANUAL STORAGE	1
9	1-861-010032-19	WASHER, FLAT 5/8 W ZP/CD	2
10	105-0093	HOSE CLAMP 4-1/2 IDEAL #5264	2
11	8K645	CANISTER BRACKET WELDMENT	1

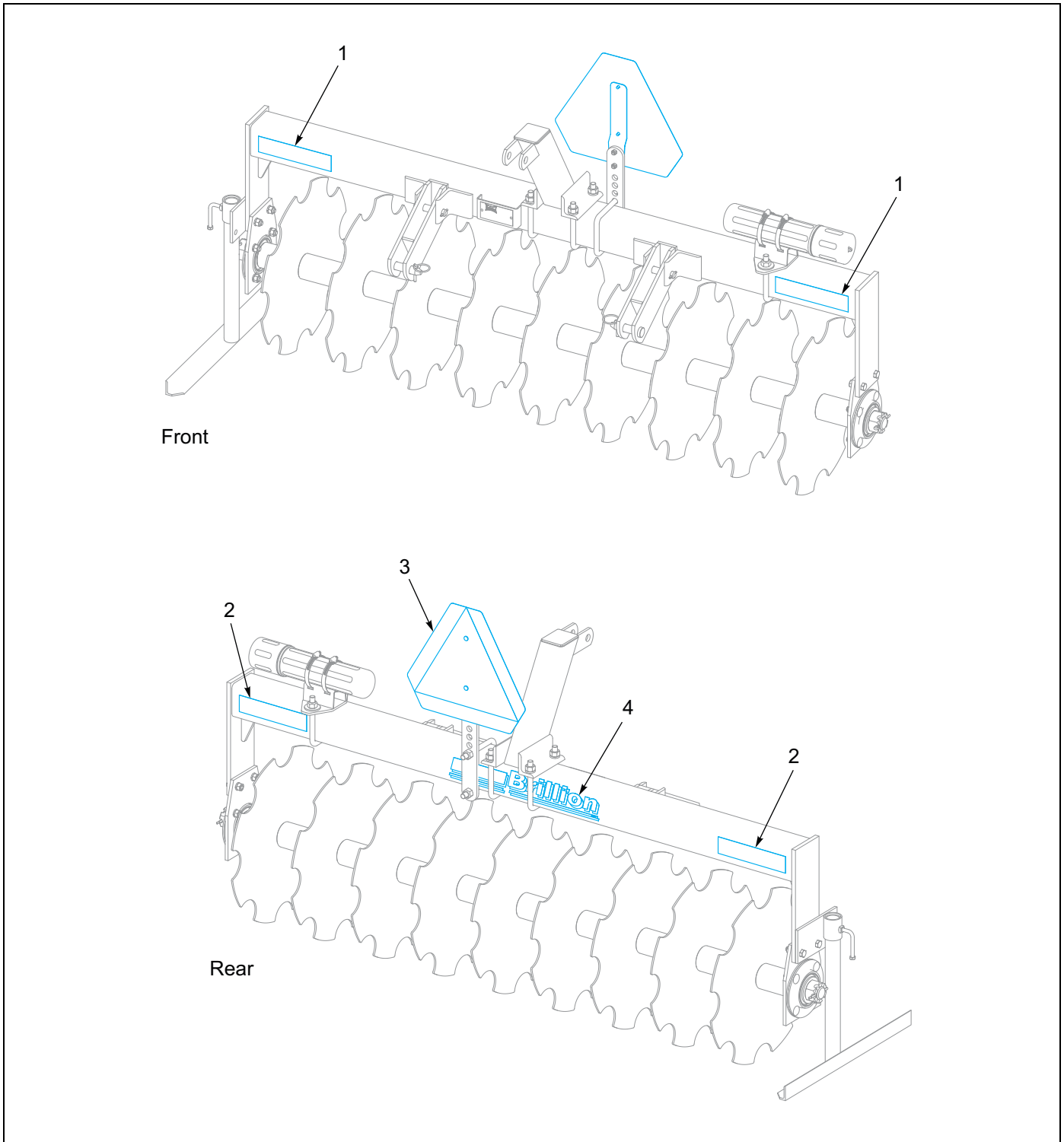


Figure 3-14: T6 Decals

T6 Decals

ITEM	PART NUMBER	DESCRIPTION	QTY.
1	528934	REFLECTOR - YELLOW	2
2	528933	REFLECTOR - RED	2
3	2P151	SMW W/BACKET	1
4	4K036	DECAL-BRILLION (2 3/4 X 20)	1

ILLUSTRATED PARTS LIST

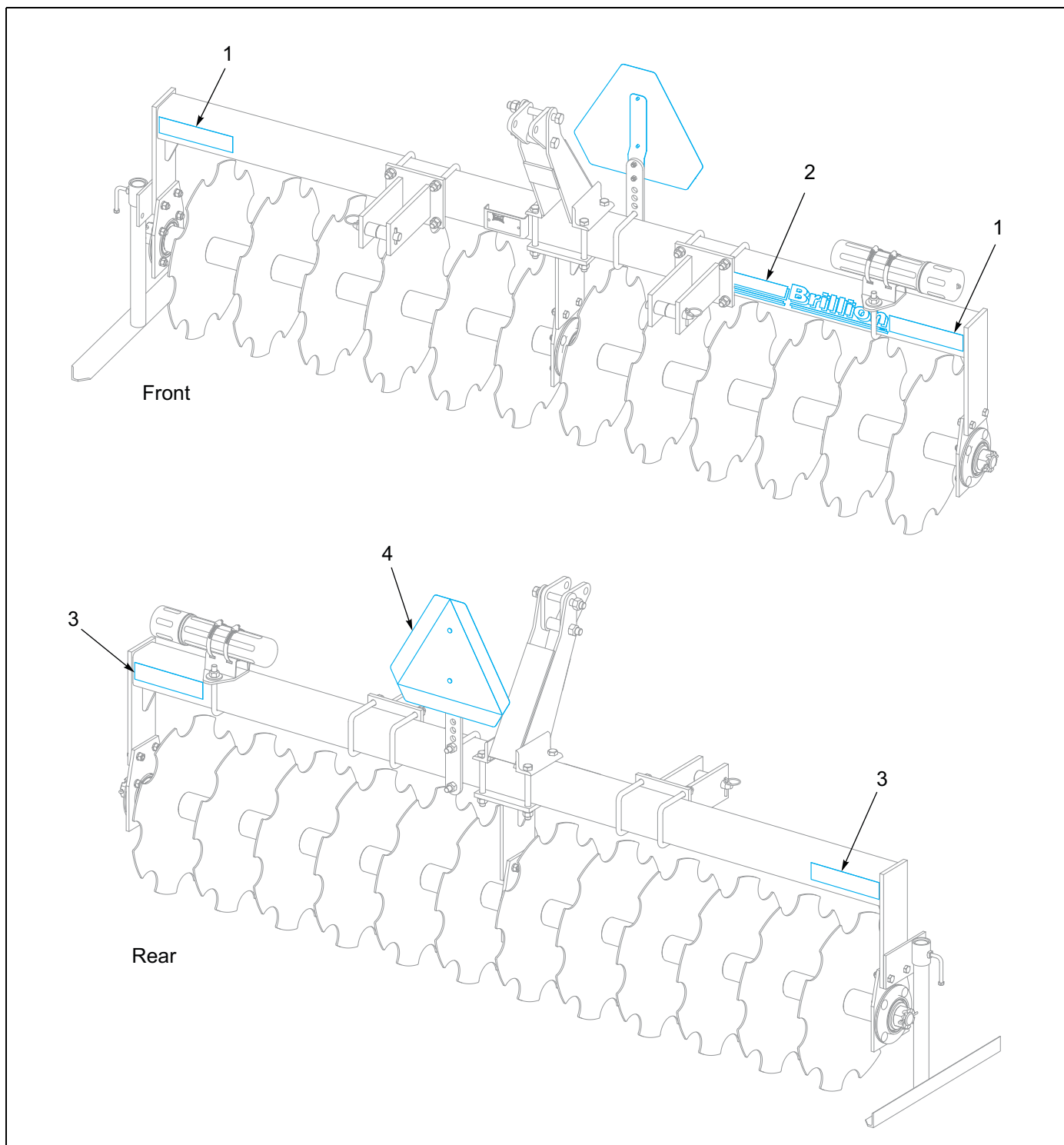


Figure 3-15: T8 Decals

T8 Decals

ITEM	PART NUMBER	DESCRIPTION	QTY.
1	528934	REFLECTOR - YELLOW	2
2	4K036	DECAL-BRILLION (2 3/4 X 20)	1
3	528933	REFLECTOR - RED	2
4	2P151	SMW W/BRACKET	1

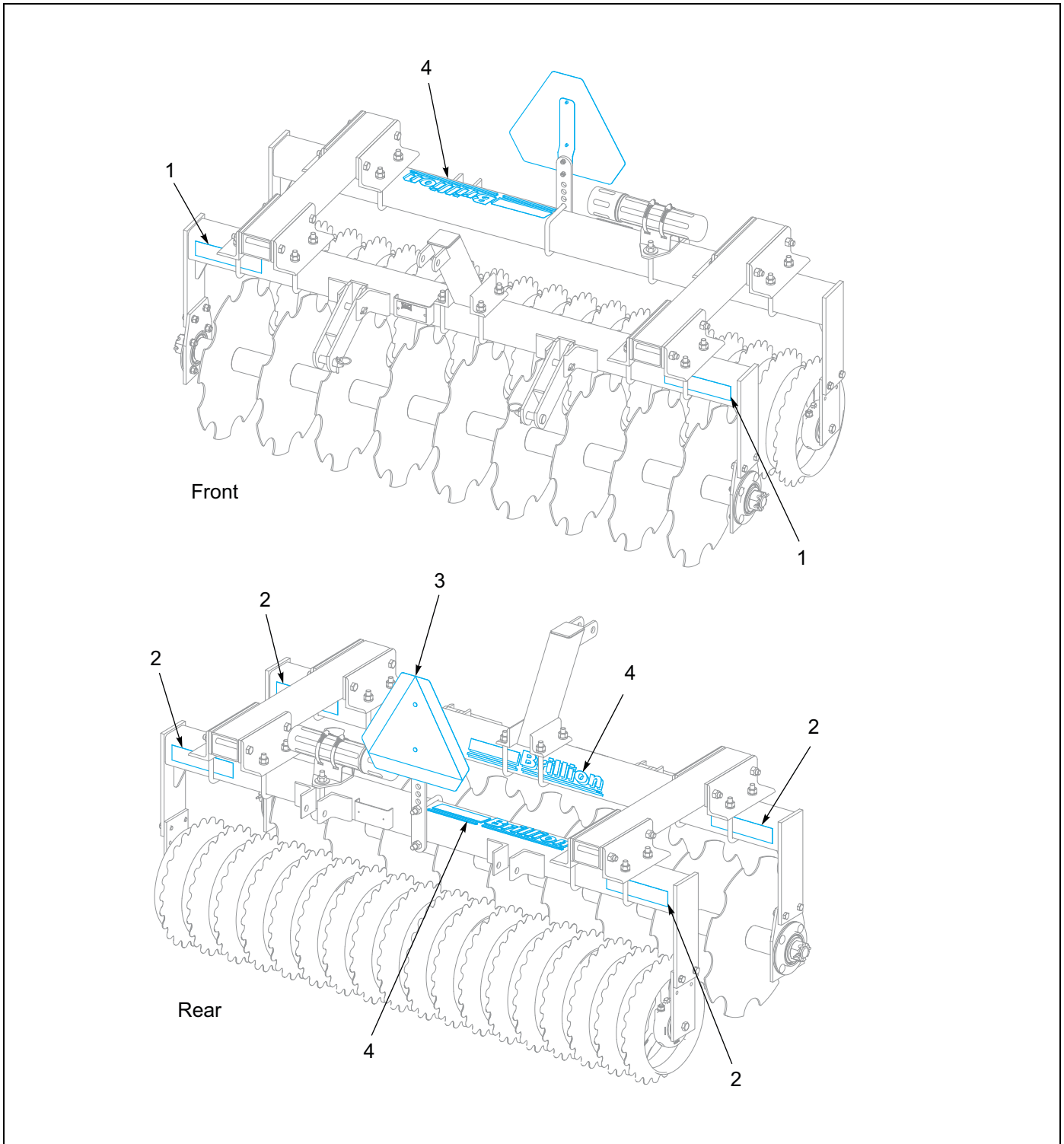


Figure 3-16: SMT6 Decals

SMT6 Decals

ITEM	PART NUMBER	DESCRIPTION	QTY.
1	528934	REFLECTOR - YELLOW	2
2	528933	REFLECTOR - RED	2
3	2P151	SMW W/BACKET	1
4	4K036	DECAL-BRILLION (2 3/4 X 20)	2

ILLUSTRATED PARTS LIST

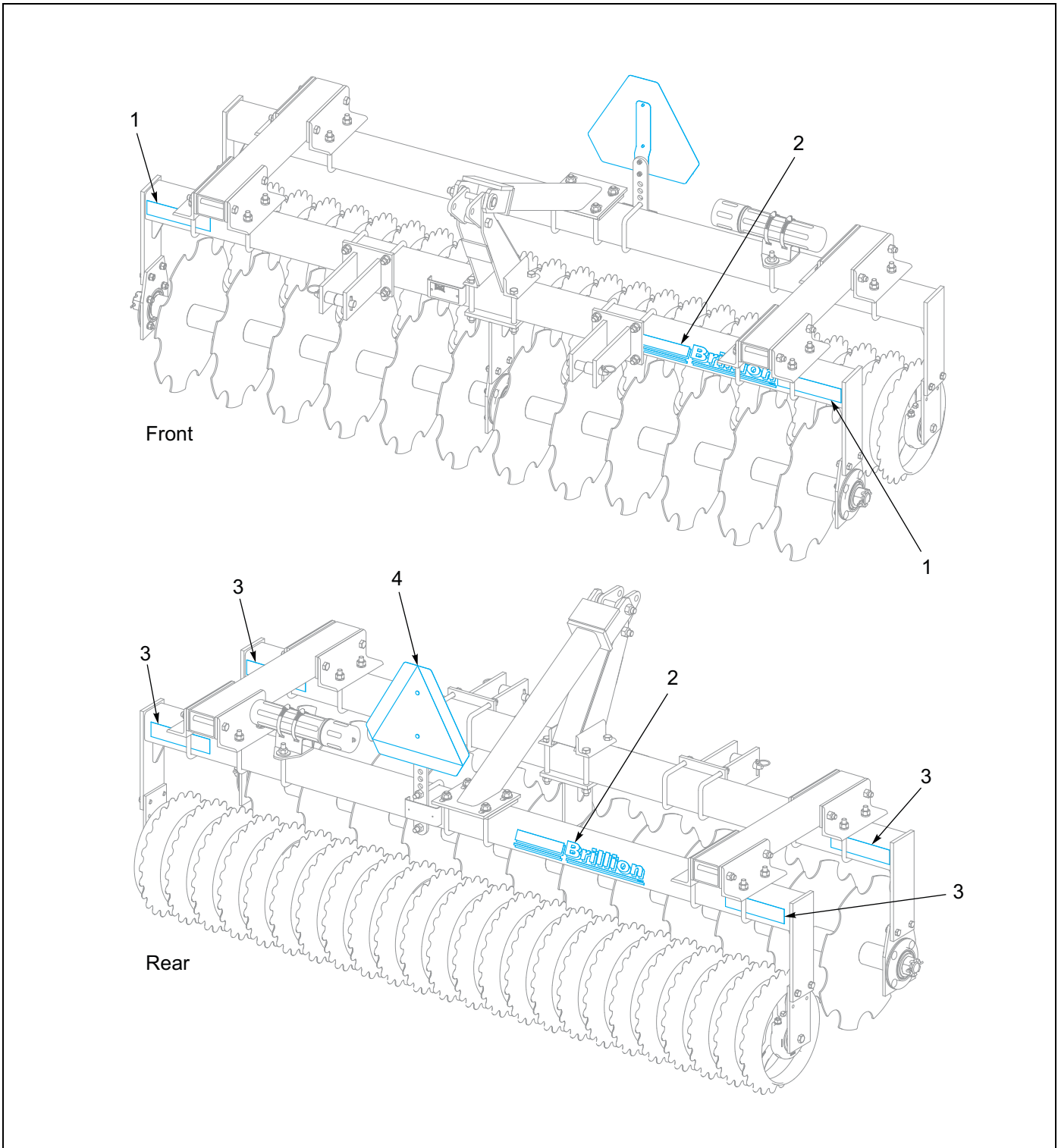


Figure 3-17: SMT8 Decals

SMT8 Decals

ITEM	PART NUMBER	DESCRIPTION	QTY.
1	528934	REFLECTOR - YELLOW	2
2	4K036	DECAL-BRILLION (2 3/4 X 20)	2
3	528933	REFLECTOR - RED	2
4	2P151	SMW W/BACKET	1

Document Control Revision Log:

Date	Revision	Improvement(s) Description and Comments	Team Member
04/2016		New and Updated Drawings	WML



Intertek

Equipment from Landoll Corporation is built to exacting standards ensured by ISO 9001 registration at all Landoll manufacturing facilities.

**Operator's Manual
Repair Parts Catalog
Seedbed Mulch Tucker
T6, SMT6 and T8, SMT8**

Re-Order Part Number 6K600

LANDOLL CORPORATION

1900 North Street

Marysville, Kansas 66508

(785) 562-5381

800-428-5655 ~ WWW.LANDOLL.COM



Copyright 2014. Landoll Corporation

"All rights reserved, including the right to reproduce this material or portions thereof in any form."