



Parts Manual

Mfg. No: 2691454-03
Regent, 22 Gross HP B&S Hydro and 38"
Mower Deck



1692125 - Cart, Dump (10 Cu. Ft.)

1691837SM - Weight, Front Counter.

1692883SM - Grass Mulcher Kit, 38".

1691319SM - Suitcase Weights, 33Lbs.

1690555SM - Weight, Rear Wheel (1 Each).

1690163SM - Chains, Tire Pr. (20 X 8).

1695641YP - Dethatcher, Tow- Behind, 40".

1694919 - 42" Snow Blade.

1694920 - Snowthrower, Single Stage, 42".

1694921 - Snow Cab, Soft Side.

1694922SM - Weight Carrier, Rear.

1695969 - Snowthrower, Single Stage, 42".

1695791 - Tiller, Tow Behind, 36".

1694916 - Catcher, Clean Sweep Twin, 38/42".

1695163 - Catcher, Clean Sweep Twin, 38".

1695168 - Catcher, Clean Sweep Twin, 38".

1695593 - Catcher, Clean Sweep Twin, 38".

1696752-00 - Catcher, Clean Sweep Twin, 38".

1695756 - Turbo, 38", 44" & 50" Mower Deck.

1696450-00 - Turbo, 44" & 50" Mower Deck w/Aluminum Spindles.

1696450-01 - Turbo, 44" & 50" Mower Deck w/Steel or Aluminum Spindles.

1687810YP - Arm Rest Kit, 15" Plastic Seat.

1696423-00 - Snowthrower, Single Stage, 42".

7600071 - Cover, Tractor.

1687504 - Upfit Kit, For 1694920 Single-Stage Snowthrower to NXT Series.

1696752-01 - Catcher, Clean Sweep Twin, 38".

1696752A-00 - Catcher, Clean Sweep Twin, 38".

1696092A-00 - Dozer Blade, 42".

1696450A-00 - Turbo, 44" & 50" Mower Deck w/Steel or Aluminum Spindles.

1696450A-01 - Turbo, 44" & 50" Mower Deck w/Steel or Aluminum Spindles.

1697358A-00 - Catcher, Clean Sweep, Twin.

1697365A-00 - Turbo Blower System.

1696450-02 - Turbo, 44" & 50" Mower Deck w/Steel or Aluminum Spindles.

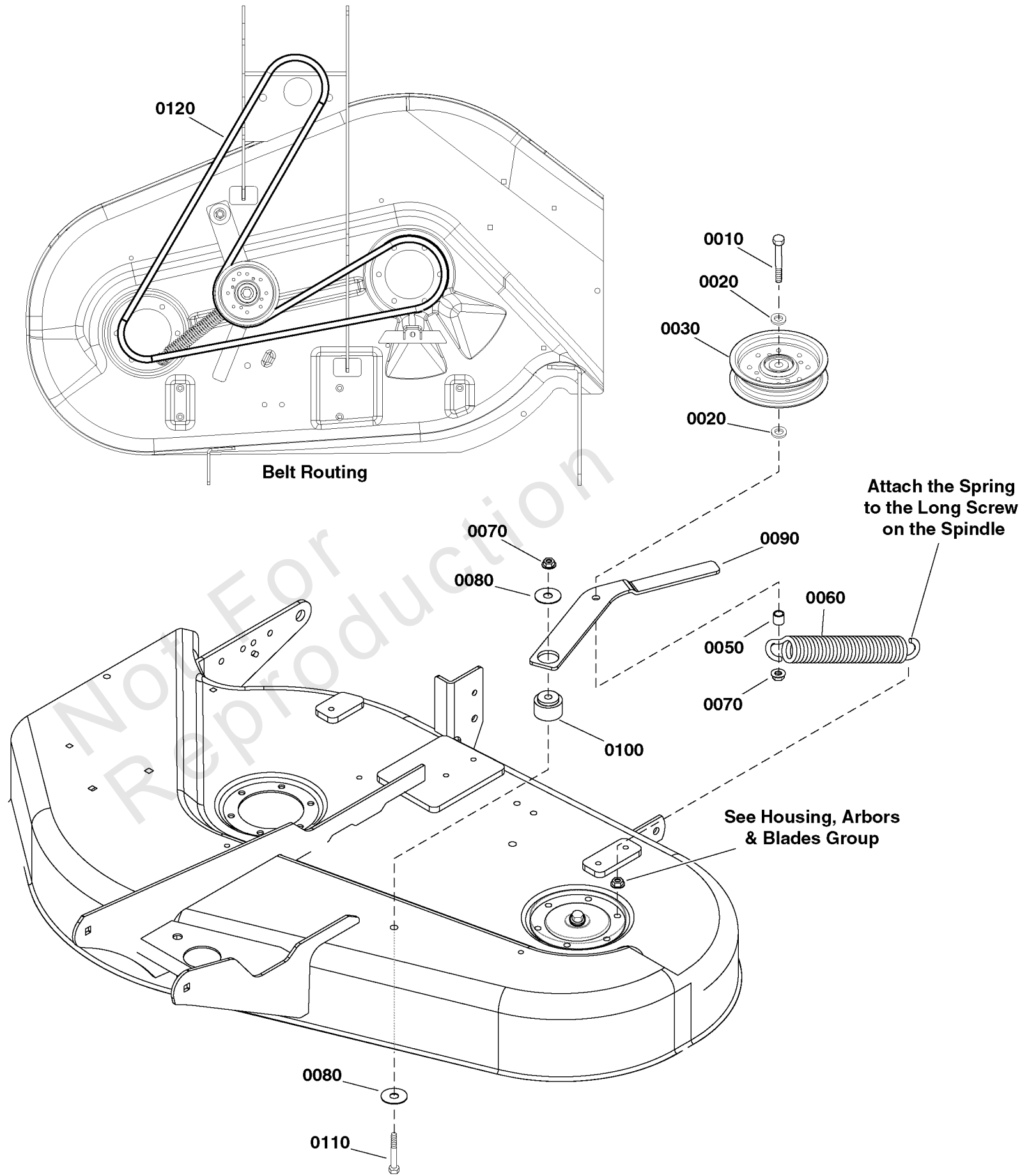
1697362A-00 - Kit, Turbo Blower System 38.

Model Components	Page
38" (96cm) Mower Deck - Clutch Group.	4
38" (96cm) Mower Deck - Height Adjustment & Roller Group.	6
38" (96cm) Mower Deck - Housing, Arbors & Blades Group.	8
Controls Group (2989022).	10
Decals Group.	12
Electrical Group.	14
Electrical Schematic -.	18
Electrical Schematic - Charging Circuit.	20
Electrical Schematic - Cranking Circuit.	22
Electrical Schematic - Headlight Circuit.	24
Electrical Schematic - Height of Cut.	26
Electrical Schematic - Hour Meter.	28
Electrical Schematic - Ignition Shutdown.	30
Electrical Schematic - PTO Clutch Circuit.	32
Engine Group.	34
Frame & Front Axle Group.	36
Front Axle Group.	38
Hood, Grille & Dash Group.	40
Lift Group - Roller Bar.	42
Seat Deck & Fuel Tank Group.	44
Seat Group.	46
Steering Group.	48
Transmission Group.	50
Transmission SERVICE PARTS - Tuff Torq K46BP (1729588).	52
Wheels & Tires.	56
Turbo, Mounting Kit.	58
Turbo Blower Group.	64
Turbo Mounting Kit.	66
Update Kit.	70
Turbo Mounting.	72
Turbo Mounting Group - Aluminum Arbors.	76
Turbo Mounting Group - Steel Arbors.	80
Torque Specification Chart.	84

38" (96cm) Mower Deck - Clutch Group

Note: Unless noted otherwise, use the standard torque specifications

Mfg. No: 2691454-03



38" (96cm) Mower Deck - Clutch Group

REF NO	PART NO	QTY	DESCRIPTION
0010	703872	1	SCREW
0020	1924940SM	2	WASHER, 3/8
0030	1757823YP	1	PULLEY-IDLER 4"
0050	5101640YP	1	SPACER
0050	1931211SM	1	NUT, Whizlock, 3/8-16
0060	1715435SM	1	SPRING, EXTENSION, 1.
0070	1930645SM	2	NUT, Hex, Flange, Locking, 3/8-16
0080	1924356SM	2	WASHER, 13/32 x 1-1/2 x 1/8
0090	1731893ASM	1	ARM, Idler
0100	1729007SM	1	SPACER, 0.387 ID x 1-1/2 OD x 1.04
0110	1923701SM	1	CAPSCREW, Hex Head, 3/8-16 x 2
0120	84003381	1	V-BELT -(HA 93.10)

Not For Reproduction

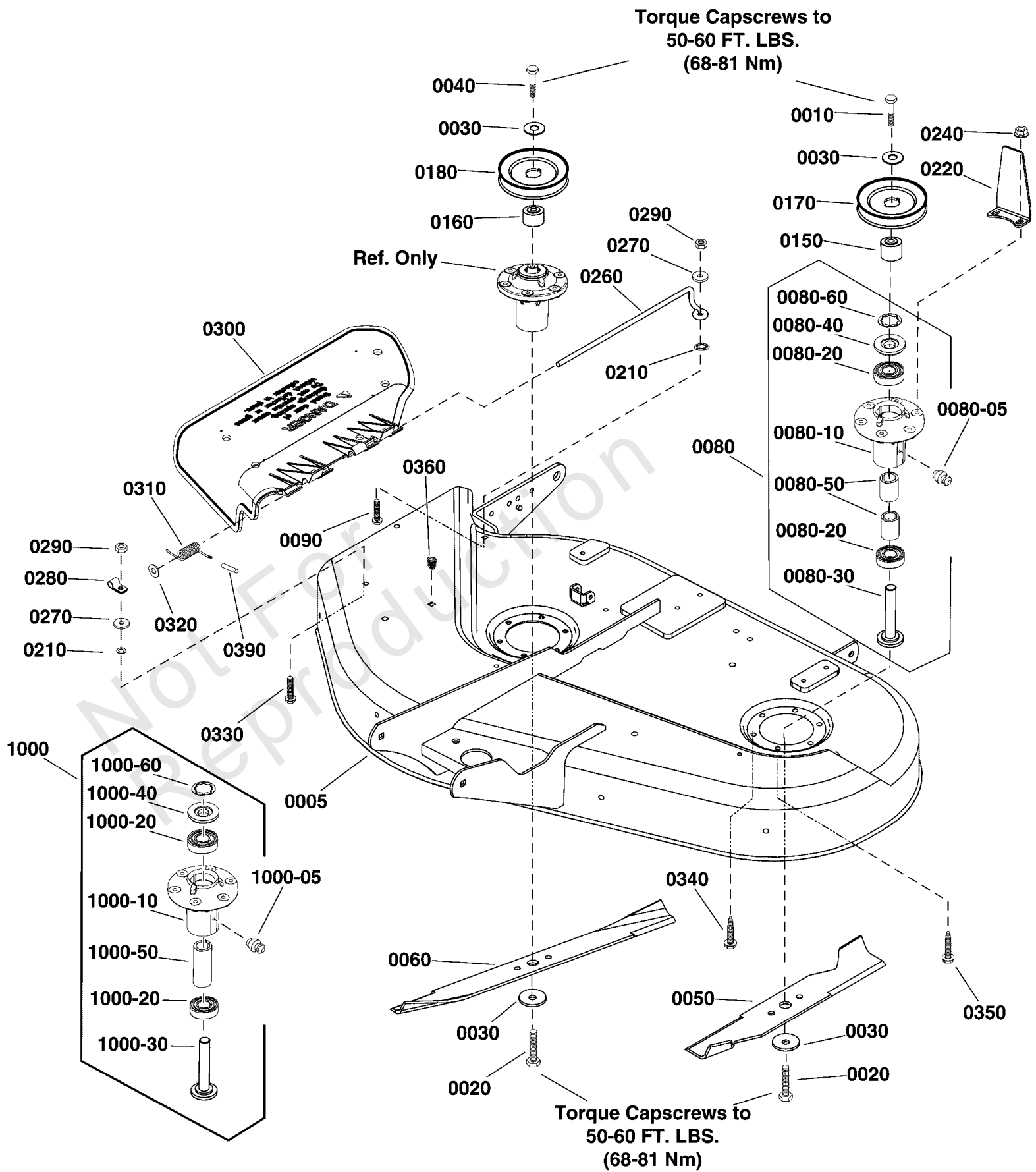
38" (96cm) Mower Deck - Height Adjustment & Roller Group

REF NO	PART NO	QTY	DESCRIPTION
0010	1760192AYP	1	ASSEMBLY-HITCH
0020	1715759SM	1	ROD, 3/8 x 8
0030	2156302SM	1	SPRING, Extension
0060	703158	2	NUT, Hex Flange, 3/8-16
0070	1732443SM	2	SPACER, 3/8 x 3/4 x 3/4
0080	703878	1	WASHER, FLAT
0090	2860681SM	3	NUT, Hex Flange, 3/8-16
0100	1729625SM	1	ROD, 1/2-13 x 5.3
0110	1922606SM	1	CAPSCREW, Hex Head, 3/8-16 x 1-3/4
0120	1706644SM	1	SPACER, 3/8X3/4X15/16
0130	703949	4	SCREW, 5/16-18.625
0140	1704115ASM	1	PLATE, Support
0150	1732092SM	1	ROD, 1/4
0160	1919381SM	1	WASHER, Flat, .34 ID x 1" OD
0170	1761590COYP	1	BAR, Roller, 38"
0180	1733226ASM	1	UPSTOP
0190	1704082SM	1	NUT, Hex Adjusting, 11/16
0200	703300	1	PIN, 3/32 X 1.6
0210	2172622SM	1	BOLT, Shoulder, 3/8-16 X 1.34, 1/2 Shoulder
0220	703451	1	WASHER, FLAT
0230	1677507SM	1	SLIDE, .803 x 1.7
0240	1913744SM	2	NUT, Hex Jam, 1/2-13
0250	703853	4	WASHER, 0.516IDX1OD
0260	1704081ASM	1	TRUNNION
0270	704241	1	PIN, 0.375 X 2.00
0280	1761295COYP	1	SHAFT, Rocker, 38"
0290	1931352SM	3	BOLT, Carriage, Short Neck, 3/8-16 x 1-1/2
0300	1665374BMYP	2	STRAP, Rocker Shaft
0310	703228	5	SCREW, 5/16-18 X .75
0320	703409	2	NUT, 5/16-18, GR5
0330	1704116BMYP	1	BRKT, HEIGHT OF CUT E
0340	771009	1	PUSHNUT, 5/8
0350	703063	1	PIN, SHEAR
0360	704039	1	PIN, COTTER, 1/16X1.31
0370	1761788YP	1	MOTOR, Electric
0380	1960757SM	1	NUT, Hex, 1/4-20 L.H. Thread
0390	703332	1	WASHER
0400	5101162YP	1	SPACER
0410	1761477CKYP	1	ARM, Mount EHOC
0420	1930644SM	2	NUT-HEX FLANGE 1/2-1
0430	1761551COYP	1	SHAFT, Roller, 38"
0440	703580	9	WASHER, 5/8
0450	1602946SM	3	SPACER, .66 ID
0460	1722036SM	2	ROLLER, Rounded, 4.1 LG, 650 ID, 2.50 OD Rounded End
0470	1668513SM	6	ROLLER, .652 ID, 2.50 OD, 4.10 LG
0480	7092017YP	2	(C) BOLT, SHLDR, 1/2F
0490	703570	2	CAPSCREW, Hex Head, 5/16-18 x 1 1/4
0500	7014334YP	1	SPACER, .625 OD X .388 ID X .801
0510	703858	1	BOLT, 3/8-16X1.75

38" (96cm) Mower Deck - Housing, Arbors & Blades Group

Note: Unless noted otherwise, use the standard torque specifications

Mfg. No: 2691454-03



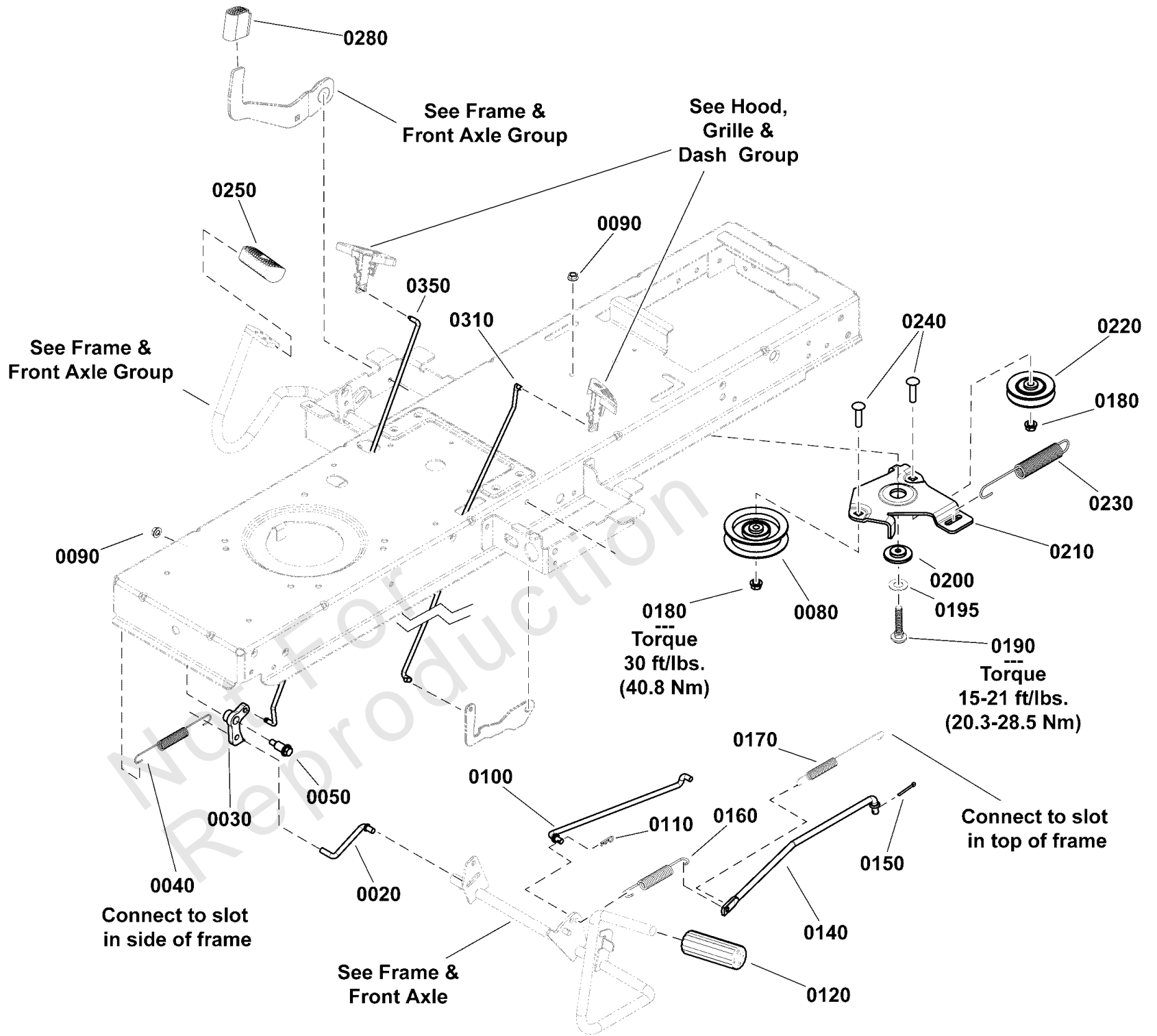
38" (96cm) Mower Deck - Housing, Arbors & Blades Group

REF NO	PART NO	QTY	DESCRIPTION
0005	1687955	1	KIT, Mower Deck w/Decals, 38"
0010	705877	1	CAPSCREW, Hex Head, 7/16-14 x 2 1/2
0020	1920676SM	2	CAPSCREW, Hex Head, 7/16-14 X 1
0030	1656916SM	2	WASHER, SPRING 0.475I
0040	705424	1	CAPSCREW, Hex Head, 7/16-14 X 1 3/4
0050	1704856ASM	1	BLADE, Mower, 16-1/8", LH
0060	1704101A	1	BLADE, Mower 22-1/4
0080	84001644	2	ARBOR ASSEMBLY -(Replaced by Ref. Nos. 1000, this arbor assembly is an exact replacement)
0080-05	1704314SM	1	LUBE FITTING, .250 DR
0080-10	1755437YP	1	HOUSING, w/Lube Fitting
0080-20	1735399YP	1	BEARING, Ball, 20mm
0080-30	1760277YP	1	SHAFT, Spindle -(Replaced by Ref. Nos. 1000-30, this spindle shaft is an exact replacement)
0080-40	1735323YP	1	SHIELD, Arbor
0080-50	1735328YP	2	SPACER, Bearing -(Replaced by Ref. Nos. 1000-50, this spacer is an exact replacement)
0080-60	1960766SM	1	RING, Self Locking
1000	84003172	3	ARBOR ASSEMBLY
1000-05	1704314SM	1	LUBE FITTING, .250 DR
1000-10	84003653	1	HOUSING ASSEMBLY
1000-20	1735399YP	1	BEARING, Ball, 20mm
1000-30	84003165	2	SHAFT, Spindle
1000-40	84003166	1	COVER, ARBOR
1000-50	84003167	1	SPACER, BEARING
1000-60	1960766SM	1	RING, Self Locking
0090	1960698SM	1	BOLT, Round Head, Short Neck, 1/4-20 X 1
0150	1759940YP	1	SPACER
0160	1758623YP	1	SPACER, Hub
0170	1732950SM	1	PULLEY
0180	1732953SM	1	PULLEY
0210	703826	2	BOLT, PUSHNUT 1/4
0220	1759808BMYP	1	UPSTOP
0240	703115	3	NUT
0260	1706709SM	1	ROD-.283DIA 11.65LG D
0270	703229	2	WASHER, 1/4
0280	1704873SM	1	CLAMP, WIRE, .312DIA
0290	703232	2	NUT, 1/4-20, NYLOCK
0300	1705449SM	1	DEFLECTOR, Discharge
0310	1759750YP	1	SPRING
0320	1919326SM	1	WASHER, 5/16
0330	703584	2	BOLT, 1/4-20X1, GR5
0340	704146	10	SCREW, HEX, 5/16-18X1
0350	2860678SM	2	SCREW-HEX WSHR HD TAP
0360	7046780	2	PLUG, Hole, Polyethylene
0390	1723323SM	1	CAP, Spring End

Controls Group (2989022)

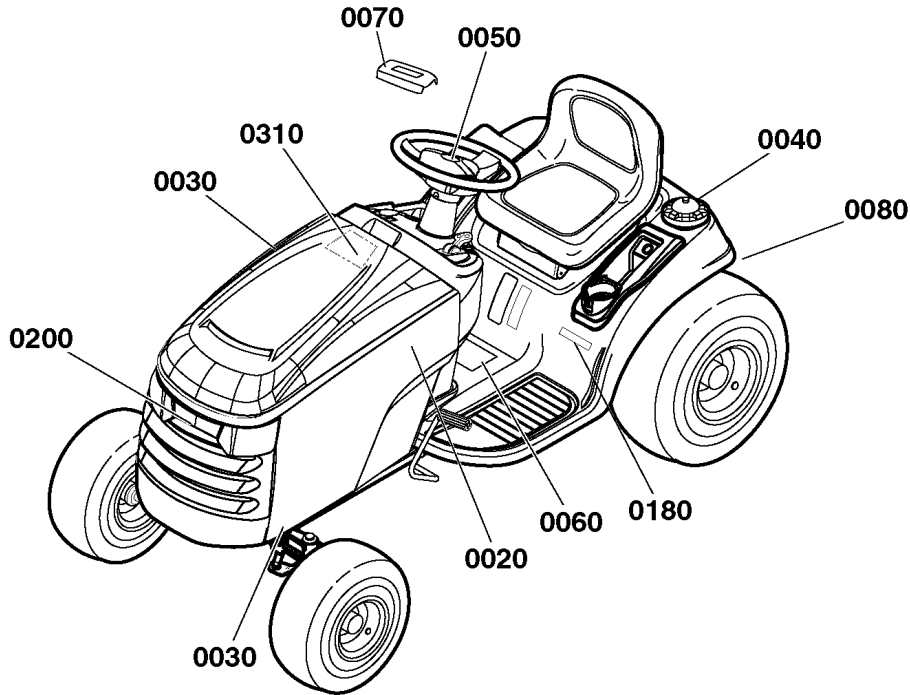
Note: Unless noted otherwise, use the standard torque specifications

Mfg. No: 2691454-03



Controls Group (2989022)

REF NO	PART NO	QTY	DESCRIPTION
0020	1727899SM	1	ROD, Cruise Latch, 5/16 Dia. x 2-13/16 Long
0030	1727897SM	1	LATCH, Cruise
0040	2159181SM	1	SPRING, Extension, 9/16 OD x 7-3/4
0050	1728976SM	1	BOLT, Shoulder, 5/16-18 x 1-5/8
0080	1728000SM	1	PULLEY, Idler, 3-1/8 OD, 3/8 ID
0090	703115	2	NUT
0100	1727254SM	1	ROD, Brake Return, 5/16 Dia. x 12-5/8 Long
0110	1722460SM	1	PIN, Quick, 1-3/16 Long
0120	1727261SM	1	PEDAL-BRAKE BLACK RUB
0140	1727253SM	1	ROD, Brake, 3/8 Dia. x 15-1/8 Long
0150	1918447SM	1	PIN, Cotter, 15/16 x 3/4
0160	1731262SM	1	SPRING, Extension, 11/16 x 3-3/8
0170	1721995SM	1	SPRING, Extension, 5/8 x 6-5/8
0180	1960687SM	2	NUT, Hex Flange, ESNA, 3/8-16
0190	703570	1	CAPSCREW, Hex Head, 5/16-18 x 1 1/4
0195	1919326SM	1	WASHER, 5/16
0200	1727935SM	1	SPACER-PIVOT 0.330ID
0210	1727894ASM	1	BRACKET, Idler
0220	1728001SM	1	PULLEY, 3 OD, 3/8 ID
0230	1729620SM	1	SPRING, Extension, 1 OD x 7-1/2
0240	1931352SM	2	BOLT, Carriage, Short Neck, 3/8-16 x 1-1/2
0250	1721675SM	1	PAD, Foot Pedal, Forward
0280	1727259SM	1	PAD, Foot Pedal, Reverse
0310	1739876YP	1	ROD, Parking Brake, 1/4 Dia. x 16-3/8 Long
0350	1739877YP	1	ROD, Cruise Latch, 1/4 Dia. x 17



Simplicity

0020 / 0030

Simplicity

0040



0050



0200

REGENT

0180

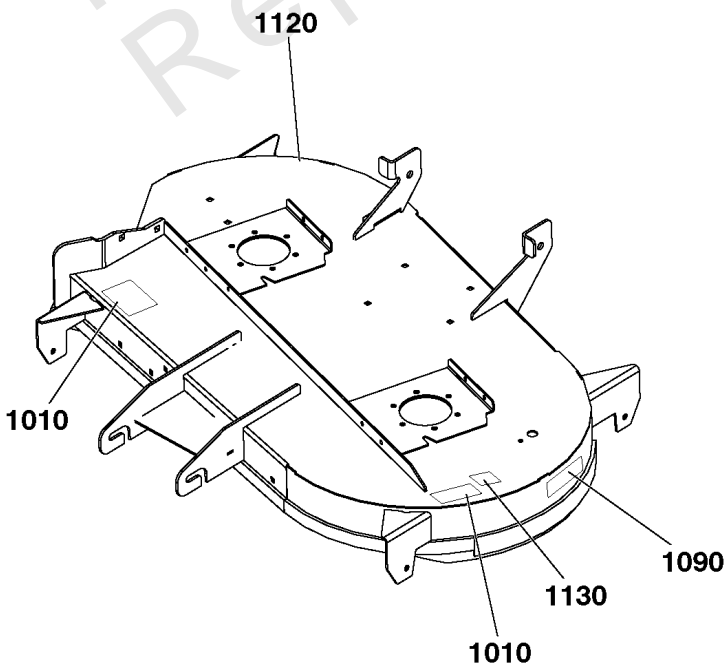
<p>Amputation hazard Keep hands and feet away from deck.</p> <p>Do not operate on slopes over 15 degrees. If you must operate on a slope, use caution and avoid sudden turns.</p> <p>Do not operate on slopes over 15 degrees. If you must operate on a slope, use caution and avoid sudden turns.</p>	<p>Loss of control and rollover hazard Do not drink or use alcohol before or while operating. Do not operate on slopes over 15 degrees. Do not operate on slopes over 15 degrees. Do not operate on slopes over 15 degrees.</p>	<p>Water, rotating parts, hot surfaces, and sharp edges Do not touch or lean against the mower while it is running. Do not touch or lean against the mower while it is running. Do not touch or lean against the mower while it is running.</p>
<p>WARNING Avoid serious injury or death. Do not operate on slopes over 15 degrees. Do not operate on slopes over 15 degrees. Do not operate on slopes over 15 degrees.</p>		

0060

0080

Briggs & Stratton	
Tractor Transmission Drive Belt 172000604	
30" Mower	17200424
30" Drive Belt Mower Blade	17200550
30" Mower (FAB)	17199954
30" Drive Belt Mower Blade	17200424
30" Mower	17200424
30" Drive Belt Mower Blade	17200550
30" Mower	17200424
30" Drive Belt Mower Blade	17200550
30" Mower	17200424
30" Drive Belt Mower Blade	17200550
30" Mower	17200424
30" Drive Belt Mower Blade	17200550

0310



⚠ DANGER
Amputation and thrown objects hazard

- Keep hands and feet away from deck.
- Do not operate mower unless discharge chute or entire grass catcher is in its proper place.

1010

Free Floating Mower

1090

38"
96cm

1130

+ 6 | 5 | 4 | 3 | 2 | 1 |

1120

Decals Group

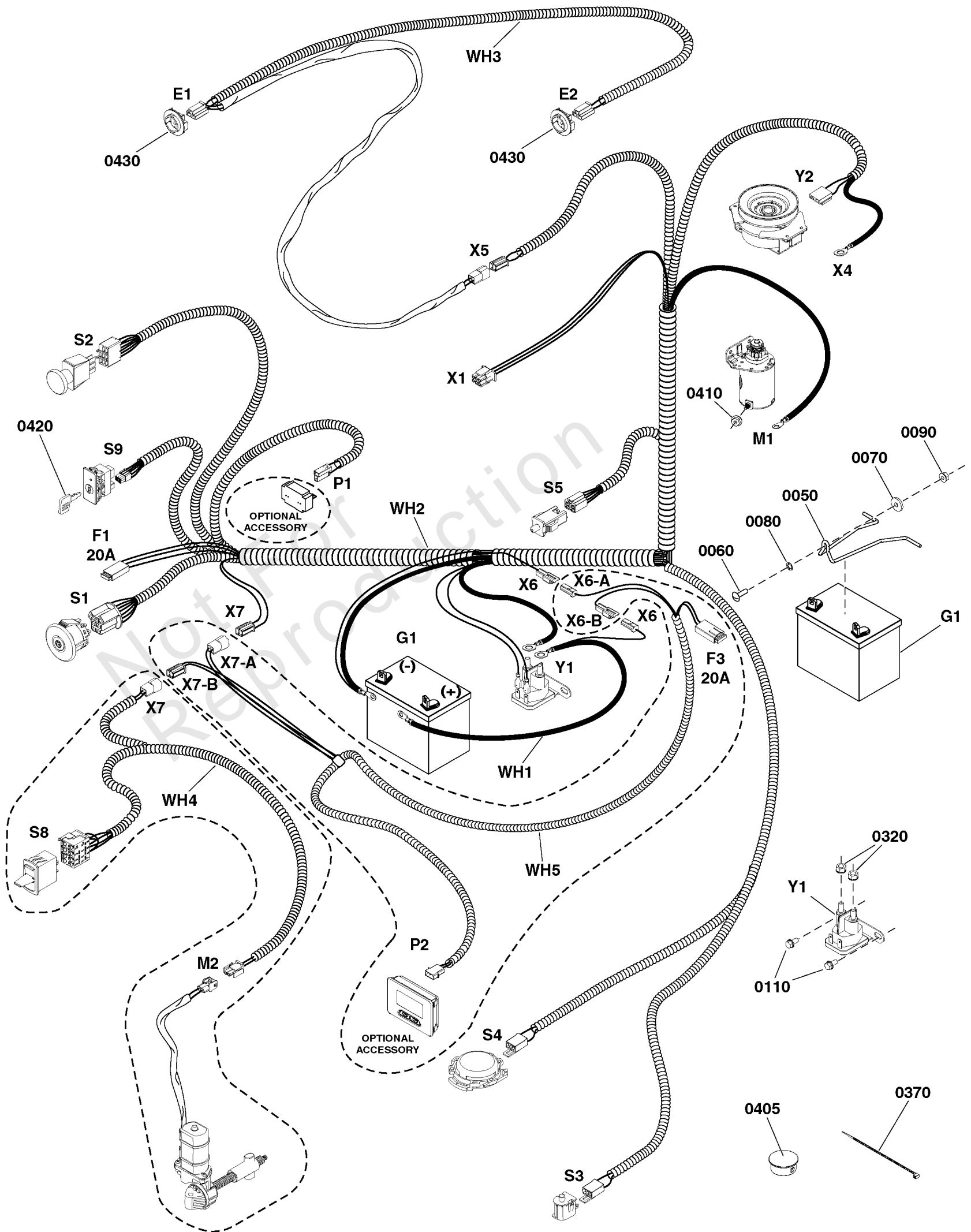
REF NO	PART NO	QTY	DESCRIPTION
0020	1755900YP	1	DECAL, Simplicity Letters, LH
0030	1755901YP	1	DECAL, Simplicity Letters, RH
0040	1755725YP	1	DECAL, Simplicity Logo, Silver
0050	1755843YP	1	DECAL, Logo, Steering Wheel
0060	1755395YP	1	DECAL, Tunnel
0070	84003162	1	CAP, Steering Wheel, Simplicity
0080	1730202SM	1	DECAL, Transmission Tow / Release Lever
0180	771742	1	DECAL
0200	1755798YP	1	DECAL, 3D, Logo, Simplicity
0310	1761757YP	1	DECAL, Service
1010	7101665YP	2	DECAL, DANGER
1090	1755726YP	1	DECAL, Free Floating Deck
1120	1721197SM	1	DECAL, Cutting Height Indicator, HI - LO (54"Mower Decks)
1130	1755715YP	1	DECAL, Width, 38"/ 96cm

Not For Reproduction

Electrical Group

Note: Unless noted otherwise, use the standard torque specifications

Mfg. No: 2691454-03



Electrical Group

REF NO	PART NO	QTY	DESCRIPTION
E1	-----	1	HEADLIGHT, Left
E2	-----	1	HEADLIGHT, Right
F1	1731957SM	1	FUSE, Wiring Harness
F3	1731957SM	1	FUSE, Wiring Harness
G1	-----	1	BATTERY, 12 Volt, 230 CCA
M1	592599	1	MOTOR, Starter
M2	1761788YP	1	MOTOR, Electric -(Optional Accessory)
P1	1731185SM	1	METER-HOUR DIGITAL NO -(Optional Accessory)
P2	1758654YP	1	DISPLAY, Mini Meter -(Optional Accessory)
S1	1761507YP	1	SWITCH, Ignition
S2	1722887YP	1	SWITCH, PTO Push/Pull, Yel Knob w/Symbols, 8 Terminal
S3	1720411SM	1	SWITCH, NO, Black, Push Button W/Boot -(Reverse Switch)
S4	1714771SM	1	SWITCH, Seat, Gray Switch, Gray Retainer
S5	7022886YP	1	SWITCH, DP NO/NC SNAP -(Brake Pedal Switch)
S8	1761475YP	1	SWITCH, Height of Cut -(Optional Accessory)
S9	1761897YP	1	SWITCH, Reverse Mow Option
WH1	1759779YP	1	HARNESS, Battery, Solenoid
WH2	1761300YP	1	HARNESS, Main
WH3	1761298YP	1	HARNESS, Headlight
WH4	1761347YP	1	HARNESS, Height of Cut -(Optional Accessory)
WH5	84003001	1	HARNESS, Mini Meter with Height of Cut Harness -(Optional Accessory)
X1	-----	1	CONNECTOR, Engine
X4	-----	1	CHASSIS GROUND POINT
X5	-----	1	CONNECTOR, Main Harness to Headlight Harness
X6	-----	1	CONNECTOR, Battery Solenoid Harness to Main Harness
X6-A	-----	1	CONNECTOR, Mini Meter with Height of Cut Harness to Main Harness
X6-B	-----	1	CONNECTOR, Mini Meter with Height of Cut Harness to Battery Solenoid Harness
X7	-----	1	CONNECTOR, Main Harness to Height of Cut Harness
X7-A	-----	1	CONNECTOR, Mini Meter with Height of Cut Harness to Main Harness
X7-B	-----	1	CONNECTOR, Mini Meter with Height of Cut Harness to Height of Cut Harness
Y1	1755381YP	1	SOLENOID, L-BRACKET -(Starter Solenoid)
Y2	1760986YP	1	OGURA CLUTCH -(PTO Clutch)
0050	1730007SM	1	HOLD DOWN, Battery, 1/4 Dia.
0060	1931318SM	1	BOLT, Carriage, Short Neck, 1/4-20 x 7/8 G5
0070	703229	1	WASHER, 1/4
0080	703826	1	BOLT, PUSHNUT 1/4
0090	703463	1	NUT, GR5, 1/4-20
0110	704130	2	SCREW, HEX, 1/4-20X.5
0320	2860750SM	2	NUT-HEX KEPS 5/16-24
0370	703586	3	TIE, SELF LOCKING
0405	1732007SM	1	PLUG, Hole, 7/8 Dia.
0410	703061	1	NUT, HEX KEPS, 1/4-20
0420	1726557SM	2	KEY, No Mow Module (Yellow)

Electrical Group

REF NO	PART NO	QTY	DESCRIPTION
0430	1760239YP	2	LED HEADLIGHT AND SOCKET ASSEMBLY

Not For Reproduction

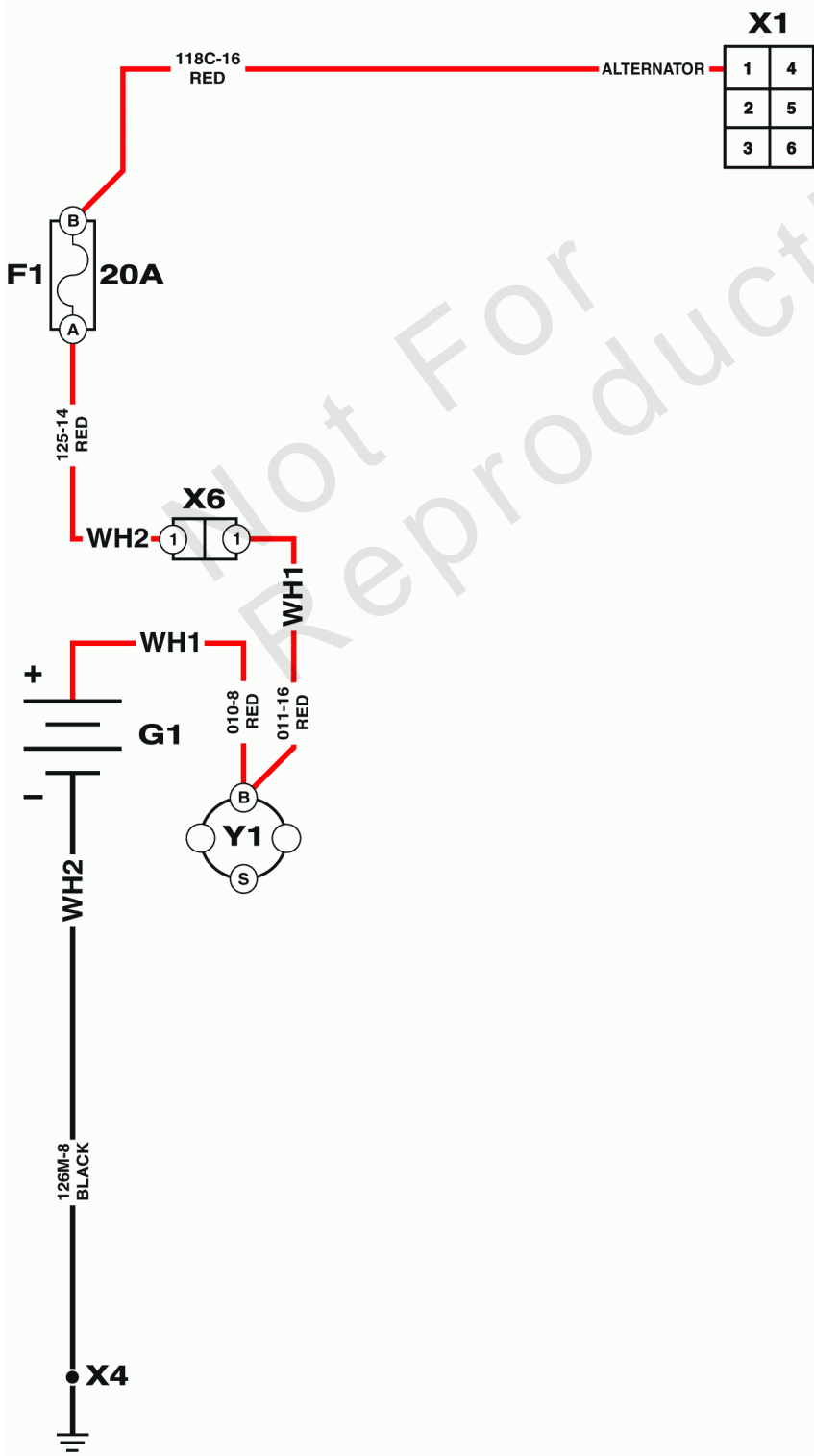
Electrical Schematic -

REF NO	PART NO	QTY	DESCRIPTION
	-----		NOTE: All electrical components represented within this electrical schematic are at rest state (no power applied).
E1	-----	1	HEADLIGHT, Left
E2	-----	1	HEADLIGHT, Right
F1	1731957SM	1	FUSE, Wiring Harness
G1	-----	1	BATTERY, 12 Volt, 230 CCA
M1	592599	1	MOTOR, Starter
M2	1761788YP	1	MOTOR, Electric -(Optional Accessory)
P1	1731185SM	1	METER-HOUR DIGITAL NO -(Optional Accessory)
S1	1761507YP	1	SWITCH, Ignition
S2	1722887YP	1	SWITCH, PTO Push/Pull, Yel Knob w/Symbols, 8 Terminal
S3	1720411SM	1	SWITCH, NO, Black, Push Button W/Boot -(Reverse Switch)
S4	1714771SM	1	SWITCH, Seat, Gray Switch, Gray Retainer
S5	7022886YP	1	SWITCH, DP NO/NC SNAP -(Brake Pedal Switch)
S8	1761475YP	1	SWITCH, Height of Cut -(Optional Accessory)
S9	1761897YP	1	SWITCH, Reverse Mow Option
SP-A	-----	1	SPLICE - A -(Splices are internal to the wire harness.)
SP-B	-----	1	SPLICE - B -(Splices are internal to the wire harness.)
SP-C	-----	1	SPLICE - C -(Splices are internal to the wire harness.)
WH1	1759779YP	1	HARNESS, Battery, Solenoid
WH2	1761300YP	1	HARNESS, Main
WH3	1761298YP	1	HARNESS, Headlight
WH4	1761347YP	1	HARNESS, Height of Cut -(Optional Accessory)
X1	-----	1	CONNECTOR, Engine
X4	-----	1	CHASSIS GROUND POINT
X5	-----	1	CONNECTOR, Main Harness to Headlight Harness
X6	-----	1	CONNECTOR, Battery Solenoid Harness to Main Harness
X7	-----	1	CONNECTOR, Main Harness to Height of Cut Harness
Y1	1755381YP	1	SOLENOID, L-BRACKET -(Starter Solenoid)
Y2	1760986YP	1	OGURA CLUTCH -(PTO Clutch)

Electrical Schematic - Charging Circuit

Note: Unless noted otherwise, use the standard torque specifications

Mfg. No: 2691454-03



Electrical Schematic - Charging Circuit

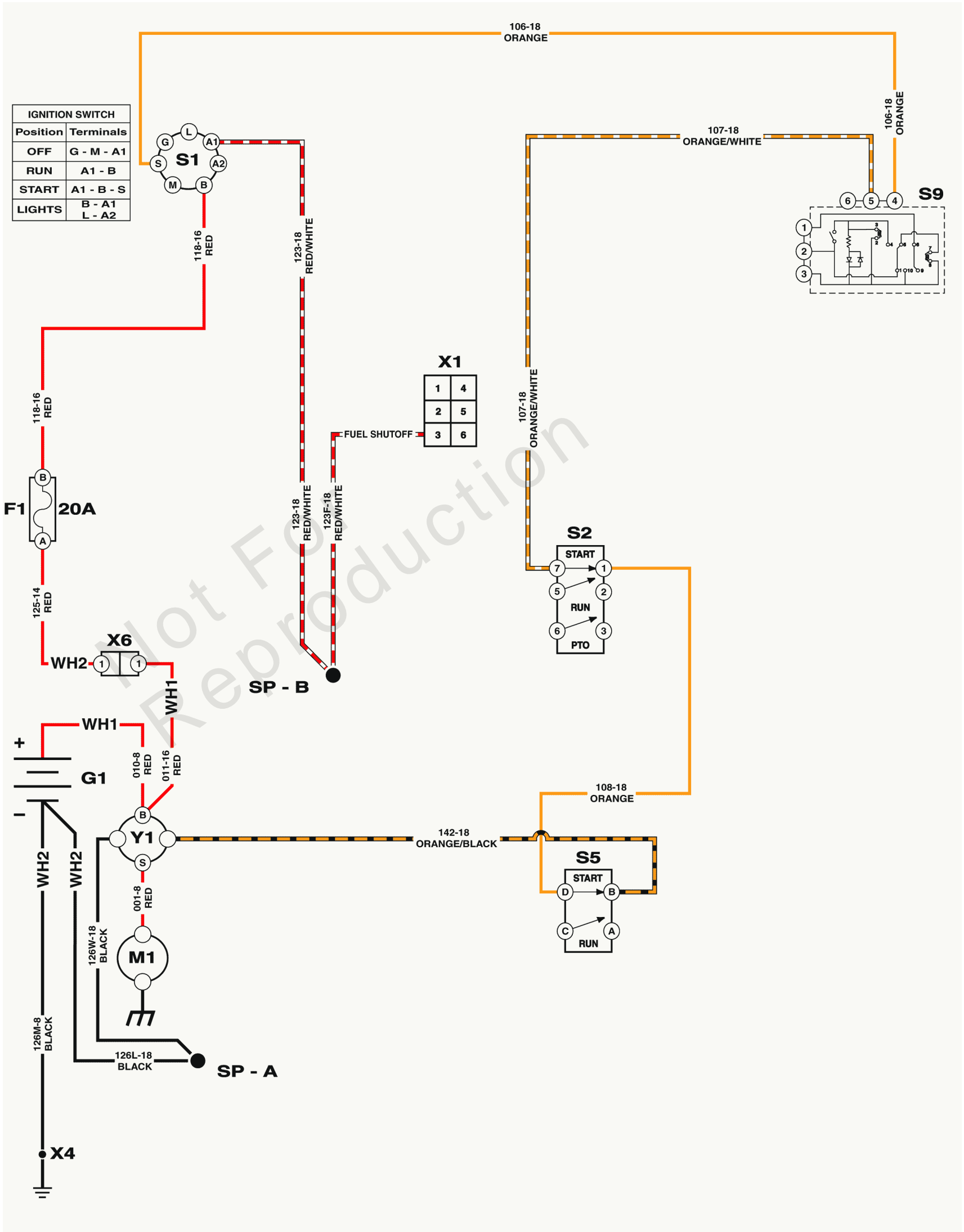
REF NO	PART NO	QTY	DESCRIPTION
	-----		NOTE: All electrical components represented within this electrical schematic are at rest state (no power applied).
F1	1731957SM	1	FUSE, Wiring Harness
G1	-----	1	BATTERY, 12 Volt, 230 CCA
WH1	1759779YP	1	HARNESS, Battery, Solenoid
WH2	1761300YP	1	HARNESS, Main
X1	-----	1	CONNECTOR, Engine
X4	-----	1	CHASSIS GROUND POINT
X6	-----	1	CONNECTOR, Battery Solenoid Harness to Main Harness
Y1	1755381YP	1	SOLENOID, L-BRACKET -(Starter Solenoid)

Not For Reproduction

Electrical Schematic - Cranking Circuit

Note: Unless noted otherwise, use the standard torque specifications

Mfg. No: 2691454-03



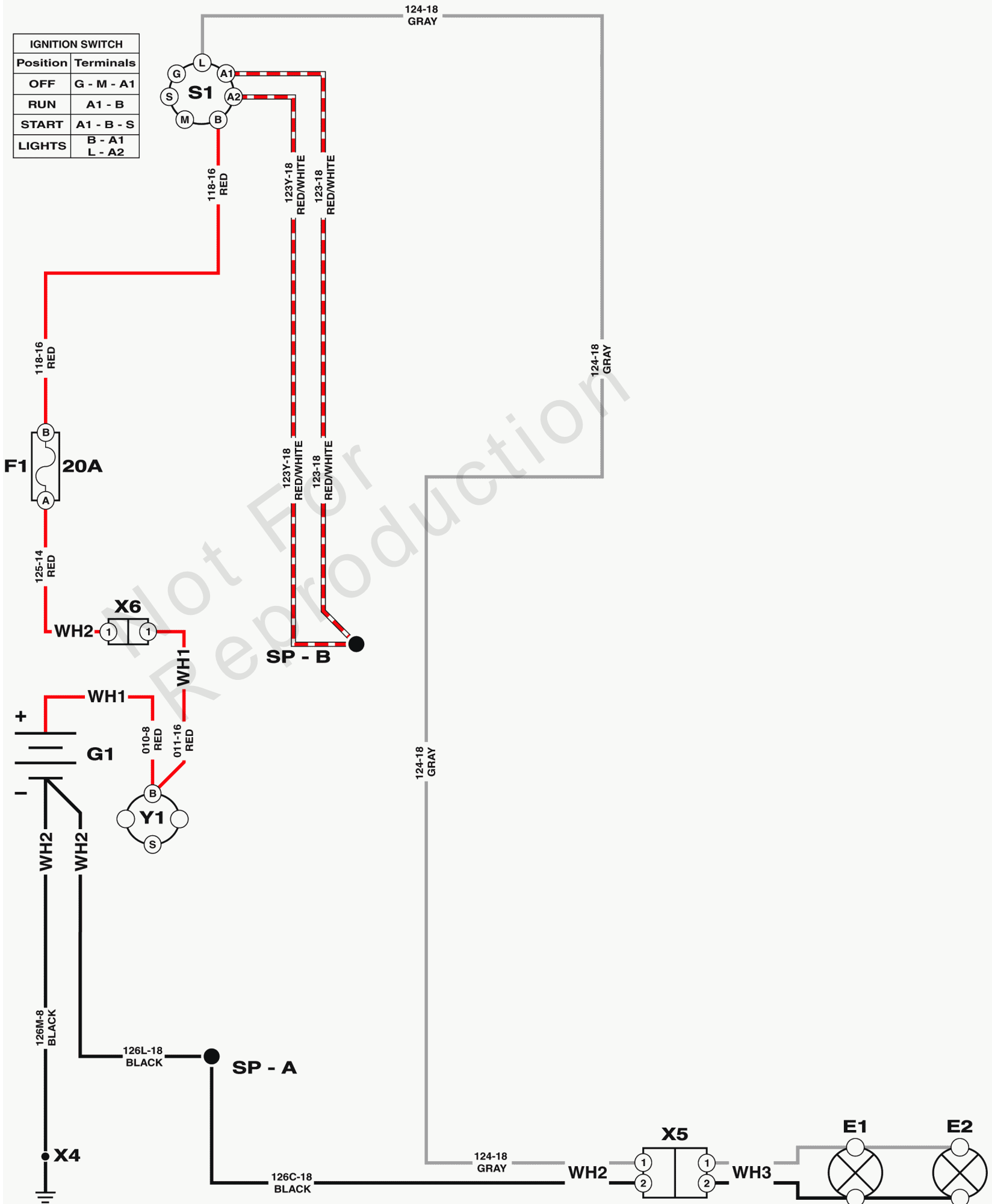
Electrical Schematic - Cranking Circuit

REF NO	PART NO	QTY	DESCRIPTION
	-----		NOTE: All electrical components represented within this electrical schematic are at rest state (no power applied).
F1	1731957SM	1	FUSE, Wiring Harness
G1	-----	1	BATTERY, 12 Volt, 230 CCA
M1	592599	1	MOTOR, Starter
S1	1761507YP	1	SWITCH, Ignition
S2	1722887YP	1	SWITCH, PTO Push/Pull, Yel Knob w/Symbols, 8 Terminal
S5	7022886YP	1	SWITCH, DP NO/NC SNAP -(Brake Pedal Switch)
S9	1761897YP	1	SWITCH, Reverse Mow Option
SP-A	-----	1	SPLICE - A -(Splices are internal to the wire harness.)
SP-B	-----	1	SPLICE - B -(Splices are internal to the wire harness.)
WH1	1759779YP	1	HARNESS, Battery, Solenoid
WH2	1761300YP	1	HARNESS, Main
X1	-----	1	CONNECTOR, Engine
X4	-----	1	CHASSIS GROUND POINT
X6	-----	1	CONNECTOR, Battery Solenoid Harness to Main Harness
Y1	1755381YP	1	SOLENOID, L-BRACKET -(Starter Solenoid)

Electrical Schematic - Headlight Circuit

Note: Unless noted otherwise, use the standard torque specifications

Mfg. No: 2691454-03



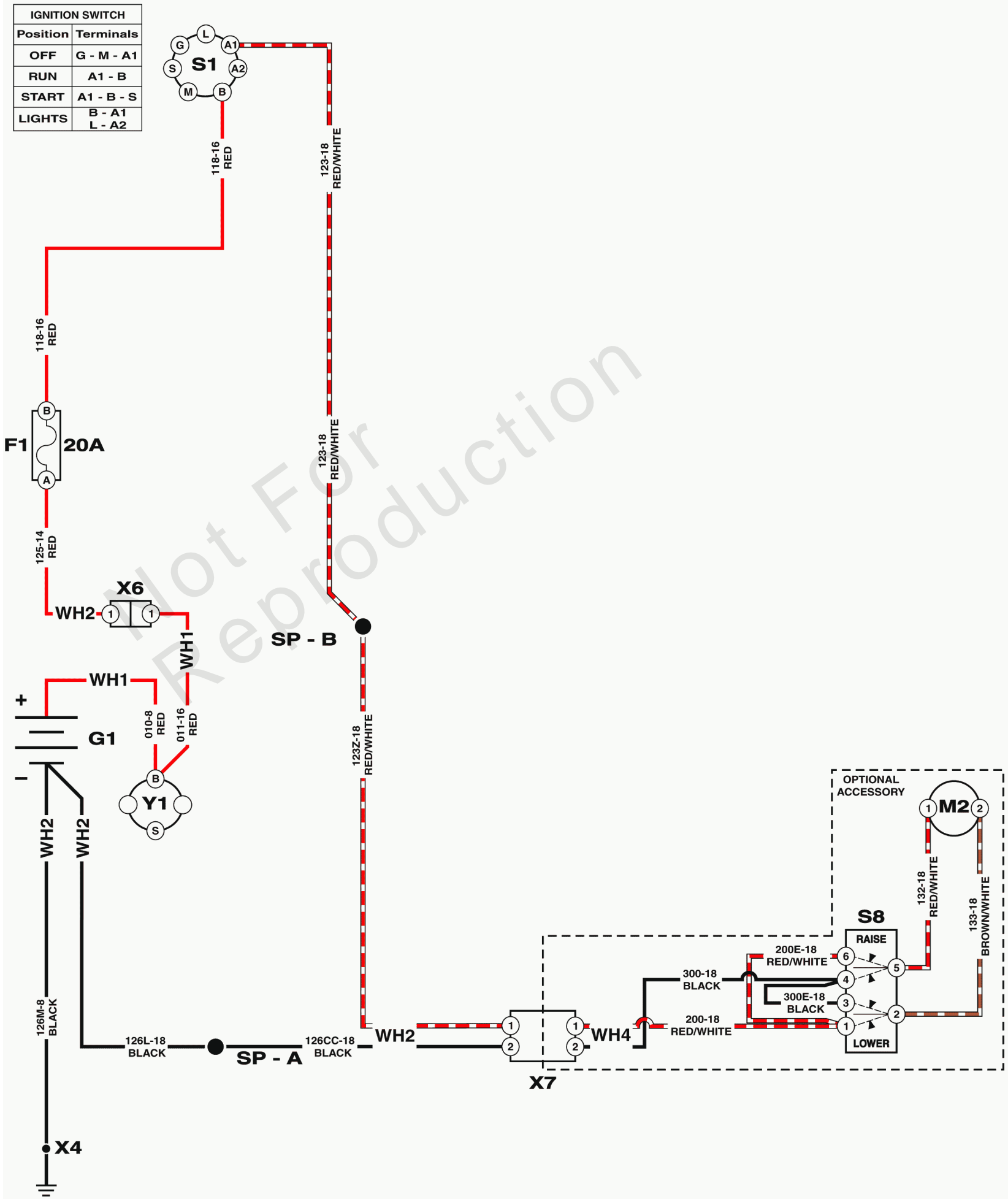
Electrical Schematic - Headlight Circuit

REF NO	PART NO	QTY	DESCRIPTION
	-----		NOTE: All electrical components represented within this electrical schematic are at rest state (no power applied).
E1	-----	1	HEADLIGHT, Left
E2	-----	1	HEADLIGHT, Right
F1	1731957SM	1	FUSE, Wiring Harness
G1	-----	1	BATTERY, 12 Volt, 230 CCA
S1	1761507YP	1	SWITCH, Ignition
SP-A	-----	1	SPLICE - A -(Splices are internal to the wire harness.)
SP-B	-----	1	SPLICE - B -(Splices are internal to the wire harness.)
WH1	1759779YP	1	HARNESS, Battery, Solenoid
WH2	1761300YP	1	HARNESS, Main
WH3	1761298YP	1	HARNESS, Headlight
X4	-----	1	CHASSIS GROUND POINT
X5	-----	1	CONNECTOR, Main Harness to Headlight Harness
X6	-----	1	CONNECTOR, Battery Solenoid Harness to Main Harness
Y1	1755381YP	1	SOLENOID, L-BRACKET -(Starter Solenoid)

Electrical Schematic - Height of Cut

Note: Unless noted otherwise, use the standard torque specifications

Mfg. No: 2691454-03



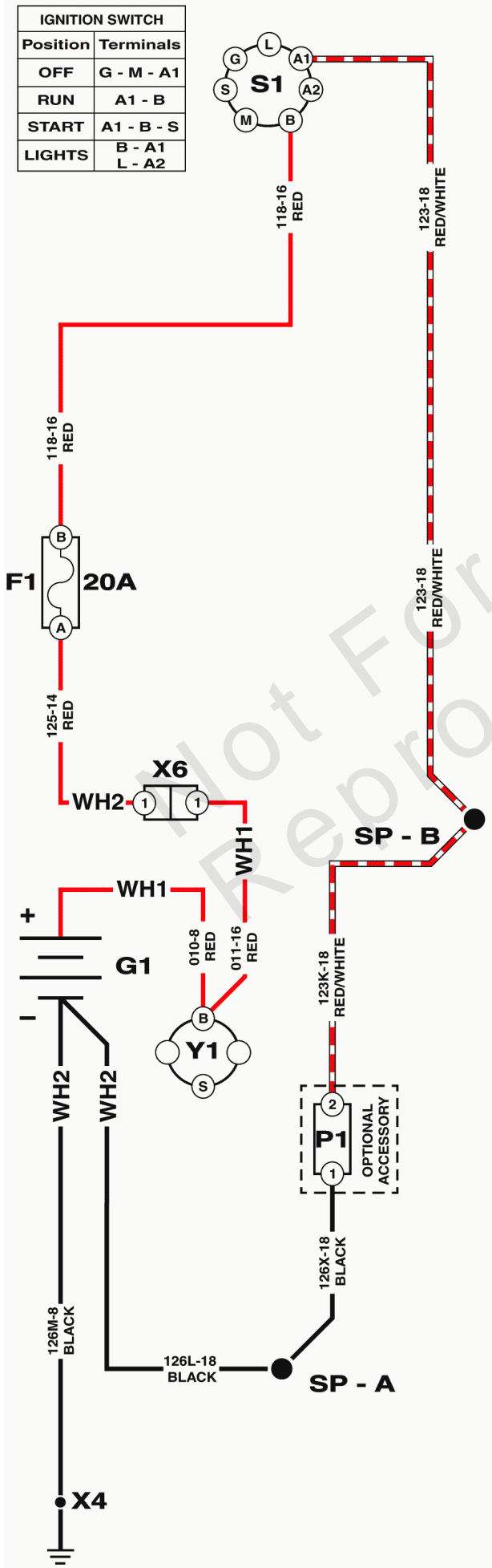
Electrical Schematic - Height of Cut

REF NO	PART NO	QTY	DESCRIPTION
	-----		NOTE: All electrical components represented within this electrical schematic are at rest state (no power applied).
F1	1731957SM	1	FUSE, Wiring Harness
G1	-----	1	BATTERY, 12 Volt, 230 CCA
M2	1761788YP	1	MOTOR, Electric -(Optional Accessory)
S1	1761507YP	1	SWITCH, Ignition
S8	1761475YP	1	SWITCH, Height of Cut -(Optional Accessory)
SP-A	-----	1	SPLICE - A -(Splices are internal to the wire harness.)
SP-B	-----	1	SPLICE - B -(Splices are internal to the wire harness.)
WH1	1759779YP	1	HARNESS, Battery, Solenoid
WH2	1761300YP	1	HARNESS, Main
WH4	1761347YP	1	HARNESS, Height of Cut -(Optional Accessory)
X4	-----	1	CHASSIS GROUND POINT
X6	-----	1	CONNECTOR, Battery Solenoid Harness to Main Harness
X7	-----	1	CONNECTOR, Main Harness to Height of Cut Harness
Y1	1755381YP	1	SOLENOID, L-BRACKET -(Starter Solenoid)

Electrical Schematic - Hour Meter

Note: Unless noted otherwise, use the standard torque specifications

Mfg. No: 2691454-03



IGNITION SWITCH	
Position	Terminals
OFF	G - M - A1
RUN	A1 - B
START	A1 - B - S
LIGHTS	B - A1 L - A2

Electrical Schematic - Hour Meter

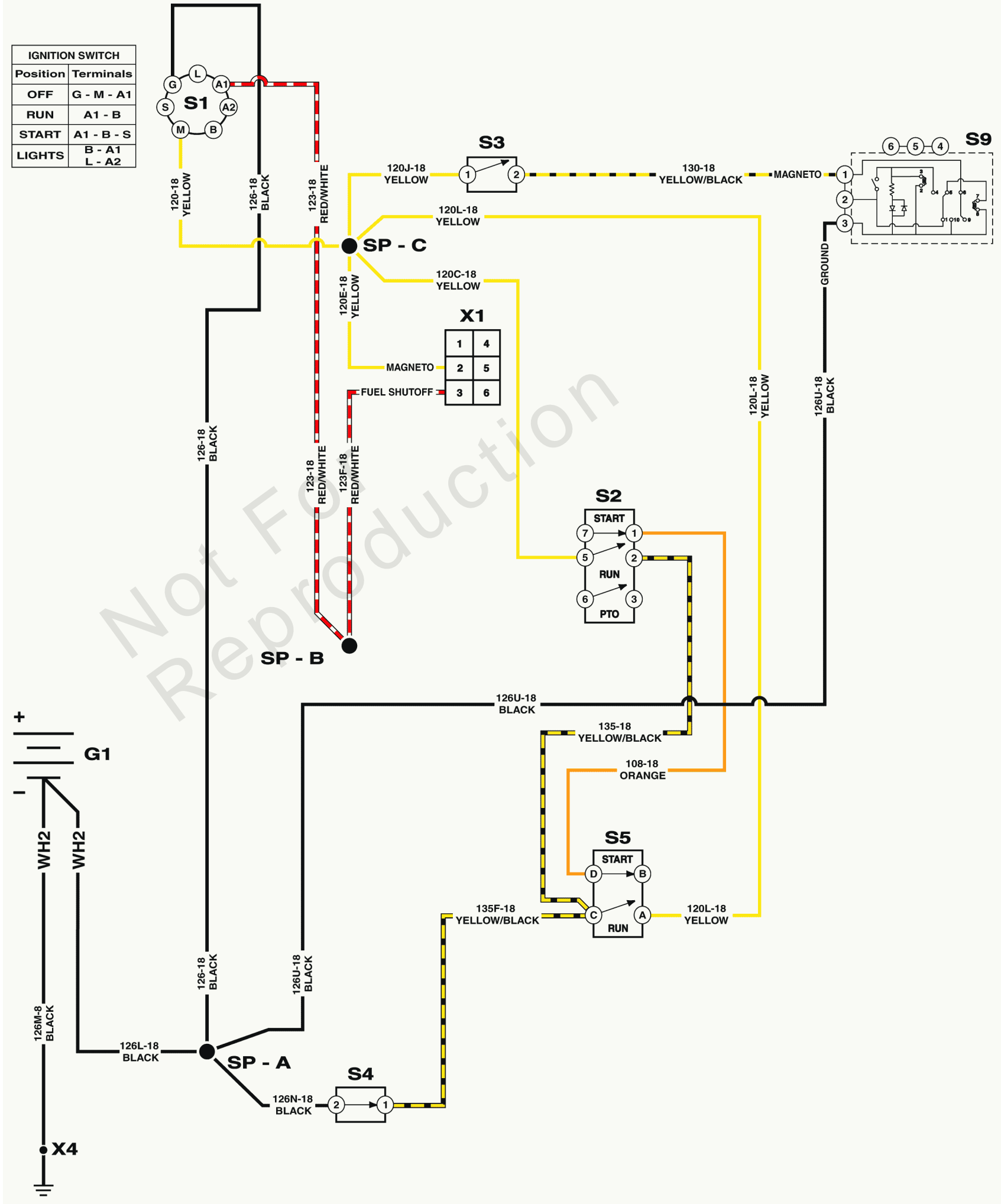
REF NO	PART NO	QTY	DESCRIPTION
	-----		NOTE: All electrical components represented within this electrical schematic are at rest state (no power applied).
F1	1731957SM	1	FUSE, Wiring Harness
G1	-----	1	BATTERY, 12 Volt, 230 CCA
P1	1731185SM	1	METER-HOUR DIGITAL NO -(Optional Accessory)
S1	1761507YP	1	SWITCH, Ignition
SP-A	-----	1	SPLICE - A -(Splices are internal to the wire harness.)
SP-B	-----	1	SPLICE - B -(Splices are internal to the wire harness.)
WH1	1759779YP	1	HARNESS, Battery, Solenoid
WH2	1761300YP	1	HARNESS, Main
X4	-----	1	CHASSIS GROUND POINT
X6	-----	1	CONNECTOR, Battery Solenoid Harness to Main Harness
Y1	1755381YP	1	SOLENOID, L-BRACKET -(Starter Solenoid)

Not For Reproduction

Electrical Schematic - Ignition Shutdown

Note: Unless noted otherwise, use the standard torque specifications

Mfg. No: 2691454-03



IGNITION SWITCH	
Position	Terminals
OFF	G - M - A1
RUN	A1 - B
START	A1 - B - S
LIGHTS	B - A1 L - A2

X1	
1	4
2	5
3	6

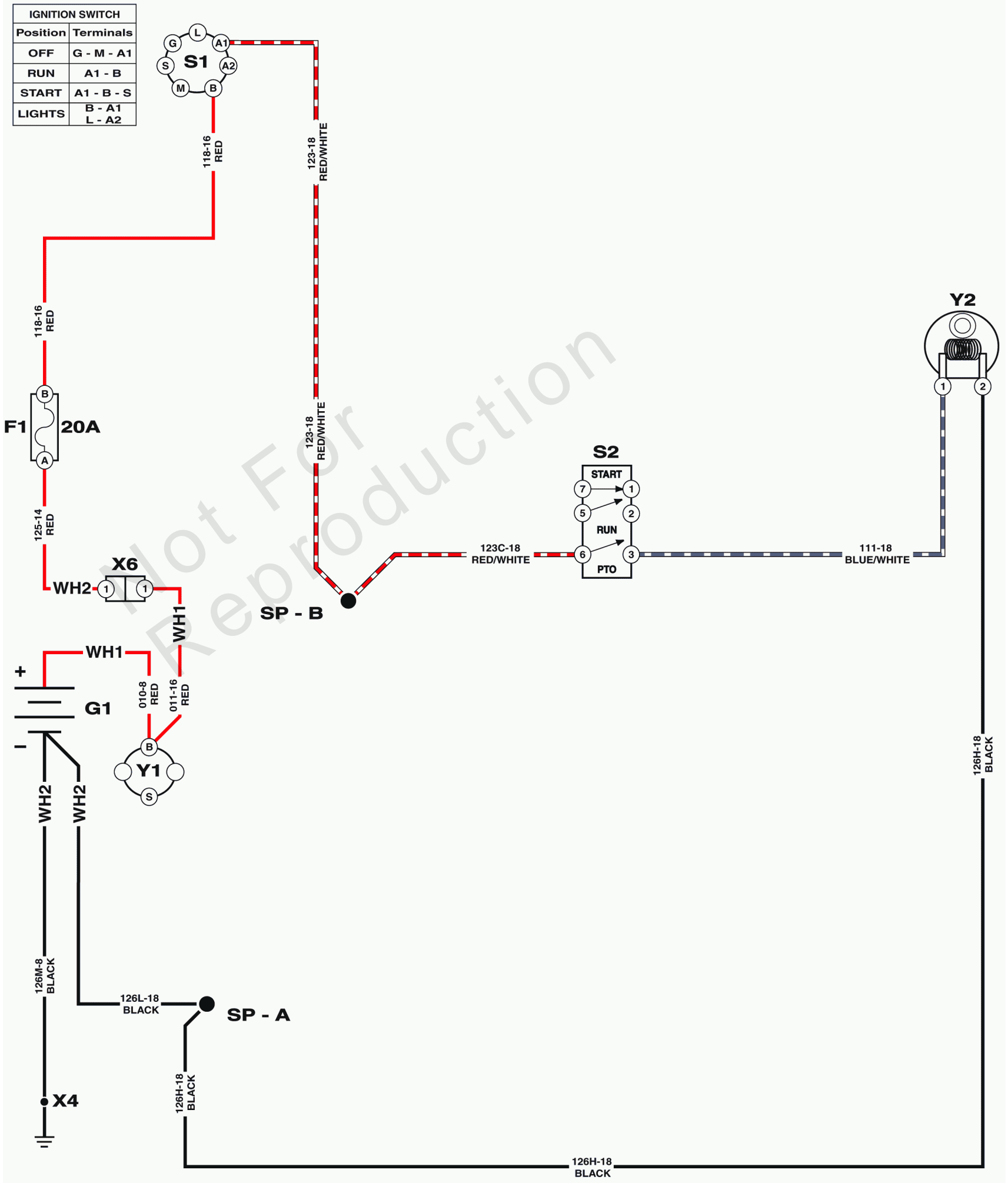
Electrical Schematic - Ignition Shutdown

REF NO	PART NO	QTY	DESCRIPTION
	-----		NOTE: All electrical components represented within this electrical schematic are at rest state (no power applied).
G1	-----	1	BATTERY, 12 Volt, 230 CCA
S1	1761507YP	1	SWITCH, Ignition
S2	1722887YP	1	SWITCH, PTO Push/Pull, Yel Knob w/Symbols, 8 Terminal
S3	1720411SM	1	SWITCH, NO, Black, Push Button W/Boot -(Reverse Switch)
S4	1714771SM	1	SWITCH, Seat, Gray Switch, Gray Retainer
S5	7022886YP	1	SWITCH, DP NO/NC SNAP -(Brake Pedal Switch)
S9	1761897YP	1	SWITCH, Reverse Mow Option
SP-A	-----	1	SPLICE - A -(Splices are internal to the wire harness.)
SP-B	-----	1	SPLICE - B -(Splices are internal to the wire harness.)
SP-C	-----	1	SPLICE - C -(Splices are internal to the wire harness.)
WH2	1761300YP	1	HARNESS, Main
X1	-----	1	CONNECTOR, Engine
X4	-----	1	CHASSIS GROUND POINT

Electrical Schematic - PTO Clutch Circuit

Note: Unless noted otherwise, use the standard torque specifications

Mfg. No: 2691454-03



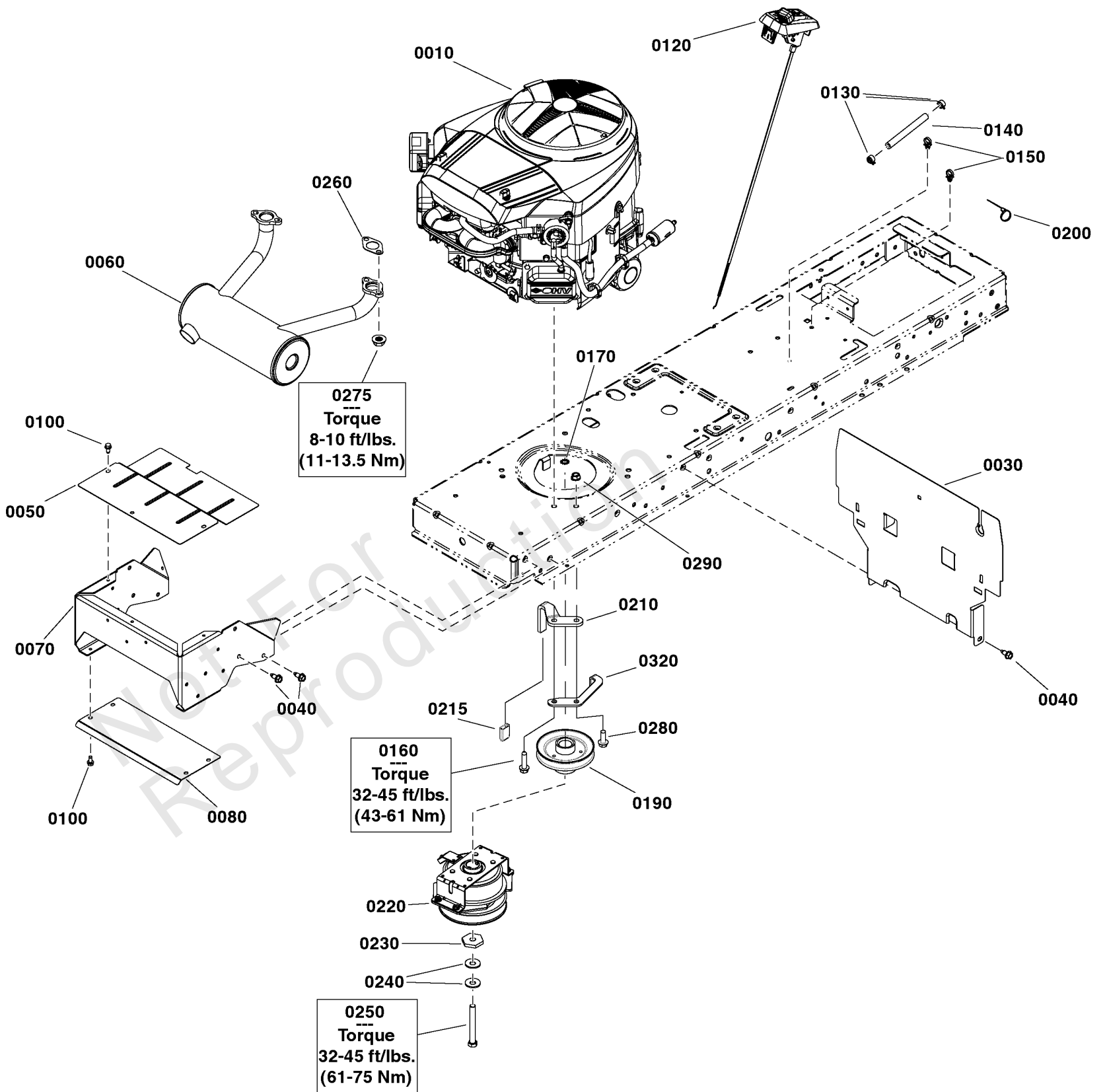
Electrical Schematic - PTO Clutch Circuit

REF NO	PART NO	QTY	DESCRIPTION
	-----		NOTE: All electrical components represented within this electrical schematic are at rest state (no power applied).
F1	1731957SM	1	FUSE, Wiring Harness
G1	-----	1	BATTERY, 12 Volt, 230 CCA
S1	1761507YP	1	SWITCH, Ignition
S2	1722887YP	1	SWITCH, PTO Push/Pull, Yel Knob w/Symbols, 8 Terminal
SP-A	-----	1	SPLICE - A -(Splices are internal to the wire harness.)
SP-B	-----	1	SPLICE - B -(Splices are internal to the wire harness.)
WH1	1759779YP	1	HARNESS, Battery, Solenoid
WH2	1761300YP	1	HARNESS, Main
X4	-----	1	CHASSIS GROUND POINT
X6	-----	1	CONNECTOR, Battery Solenoid Harness to Main Harness
Y1	1755381YP	1	SOLENOID, L-BRACKET -(Starter Solenoid)
Y2	1760986YP	1	OGURA CLUTCH -(PTO Clutch)

Engine Group

Note: Unless noted otherwise, use the standard torque specifications

Mfg. No: 2691454-03



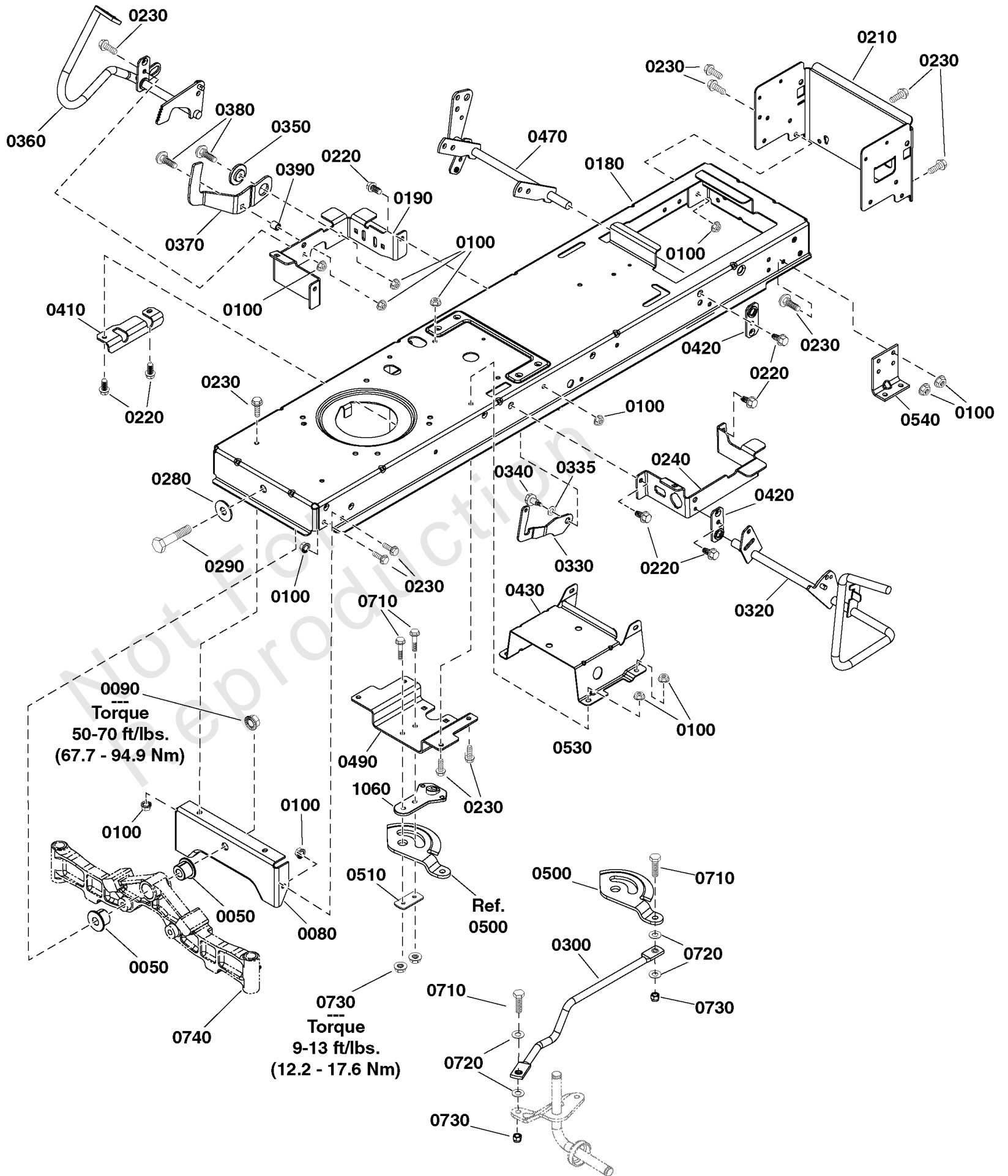
Engine Group

REF NO	PART NO	QTY	DESCRIPTION
0010	44U777-0012-G1	1	ENGINE - B&S TWIN
0030	1738380AYP	1	HEAT SHIELD, Engine
0040	703228	6	SCREW, 5/16-18 X .75
0050	1761064CJYP	1	HEAT SHIELD
0060	1761127YP	1	MUFFLER, Twin
0070	1761211CJYP	1	Support, Muffler
0080	1761063CJYP	1	HEAT SHIELD, Bottom
0100	704130	7	SCREW, HEX, 1/4-20X.5
0120	1759240YP	1	THROTTLE
0130	791850	2	CLAMP, Hose
0140	845503	1	LINE-FUEL
0150	1730268SM	2	CLIP, Hose, 1/2 Dia., Push In
0160	704010	4	SCREW, HEX, 3/8-16
0170	703864	1	WASHER, EXT, 3/8
0190	1732576SM	1	PULLEY & HUB ASSEMBLY, Engine
0200	703586	1	TIE, SELF LOCKING
0210	1760323CJYP	1	CLUTCH, Anchor
0215	84002544	1	Sleeve, Clutch Anchor
0220	1760986YP	1	OGURA CLUTCH -(Position clutch as illustrated)
0230	1708264SM	1	WASHER, HEX, 0.453ID
0240	1960769YP	2	WASHER, Belleville
0250	771023	1	CAPSCREW, Hex Head, Loctite, 7/16-20 x 3 1/2
0260	690970	2	GASKET, Exhaust
0275	810086	4	NUT
0280	704038	1	SCREW
0290	703333	1	NUT, 3/8-16
0320	84004562	1	GUIDE, Belt

Frame & Front Axle Group

Note: Unless noted otherwise, use the standard torque specifications

Mfg. No: 2691454-03



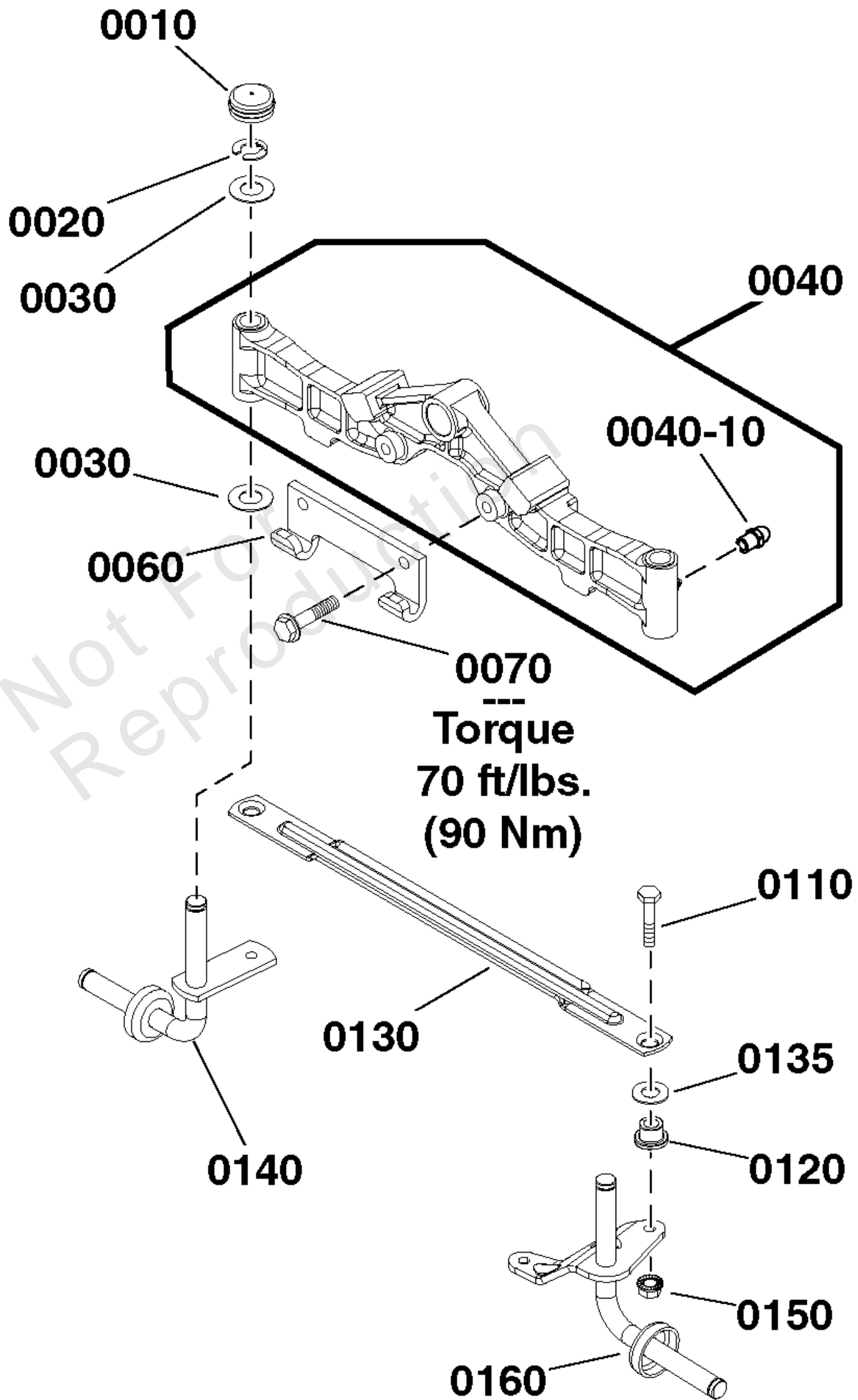
Frame & Front Axle Group

REF NO	PART NO	QTY	DESCRIPTION
0050	1730186SM	2	BUSHING, Axle Pivot
0080	1727902SM	1	PLATE, Axle Support
0090	2860646SM	1	NUT, Hex Flange, 5/8-11
0100	703409	26	NUT, 5/16-18, GR5
0180	-----	1	FRAME
0190	1759842BMYP	1	SUPPORT, Front Footrest, RH
0210	1758690YP	1	SUPPORT, Rear Frame
0220	703949	9	SCREW, 5/16-18.625
0230	703354	23	SCREW, 5/16-18
0240	1759841BMYP	1	SUPPORT, Front Footrest, LH
0280	1960035SM	1	WASHER-0.625(0.64IDX1
0290	2860744SM	1	CAPSCREW, Hex Head, 5/8-11 x 3 1/4
0300	1738051YP	1	LINK, Drag (with Bearing), 5/16
0320	1736404AYP	1	PEDAL ASSY, BRAKE
0330	1735595YP	1	LATCH, Brake Lock
0335	7014296YP	1	WASHER, Shim
0340	703851	1	BOLT, 5/16-18X1.15
0350	1727935SM	1	SPACER-PIVOT 0.330ID
0360	1736714AYP	1	FORWARD PEDAL ASSEMBLY
0370	1727246SM	1	PEDAL, Reverse
0380	703446	2	BOLT, 5/16-18X1.25 G5
0390	1728024SM	1	SPACER, Foot Pedal
0410	885591YP	1	BRACKET, PEDAL PIVOT
0420	1727911ASM	2	PLATE, Bearing
0430	1727282ASM	1	SUPPORT, Battery 12 GA
0470	1737957YP	1	LIFT SHAFT ASSEMBLY
0490	1761009YP	1	BRACKET, Sector Support
0500	1751110YP	1	GEAR, Steering
0510	1761011CJYP	1	PLATE, Sector Gear
0530	703185	2	BOLT, Round Head, Short Square Neck
0540	1727903ASM	2	SUPPORT, Transmission
0710	703570	4	CAPSCREW, Hex Head, 5/16-18 x 1 1/4
0720	1919326SM	4	WASHER, 5/16
0730	704067	6	NUT, HEX FLNG,5/16-18 -(Torque to 12-17 ft/lbs)
0740	-----	1	Refer to: Front Axle Group
1060	1761010YP	1	SUPPORT, Steering

Front Axle Group

Note: Unless noted otherwise, use the standard torque specifications

Mfg. No: 2691454-03



Front Axle Group

REF NO	PART NO	QTY	DESCRIPTION
0010	1734135SM	2	CAP, Hub
0020	1611710SM	2	E-RING, 3/4
0030	2860183SM	4	WASHER, Flat, 3/4
0040	1756386YP	1	AXLE, Front
0040-10	1704314SM	2	LUBE FITTING, .250 DR -(Included with Ref. No. 0040)
0060	1721918ASM	1	HOOK, Mower, Hitch
0070	1960652SM	2	SCREW, Hex Flange, Whiz Lock, 7/16-14 x 1-1/2
0110	1960032SM	2	SCREW, Hex Head, 3/8-16 x 1 1/4
0120	1731912SM	2	BUSHING, 3/8 ID x 5/8 OD x 1/2
0130	1751964YP	1	TIE ROD
0135	1960703SM	2	WASHER, 5/8
0140	1727872ASM	1	SPINDLE ASSEMBLY, R.H.
0150	703893	2	NUT, CNTR LCK, 3/8-16
0160	1751922YP	1	SPINDLE ASSEMBLY, L.H.

Not For Reproduction

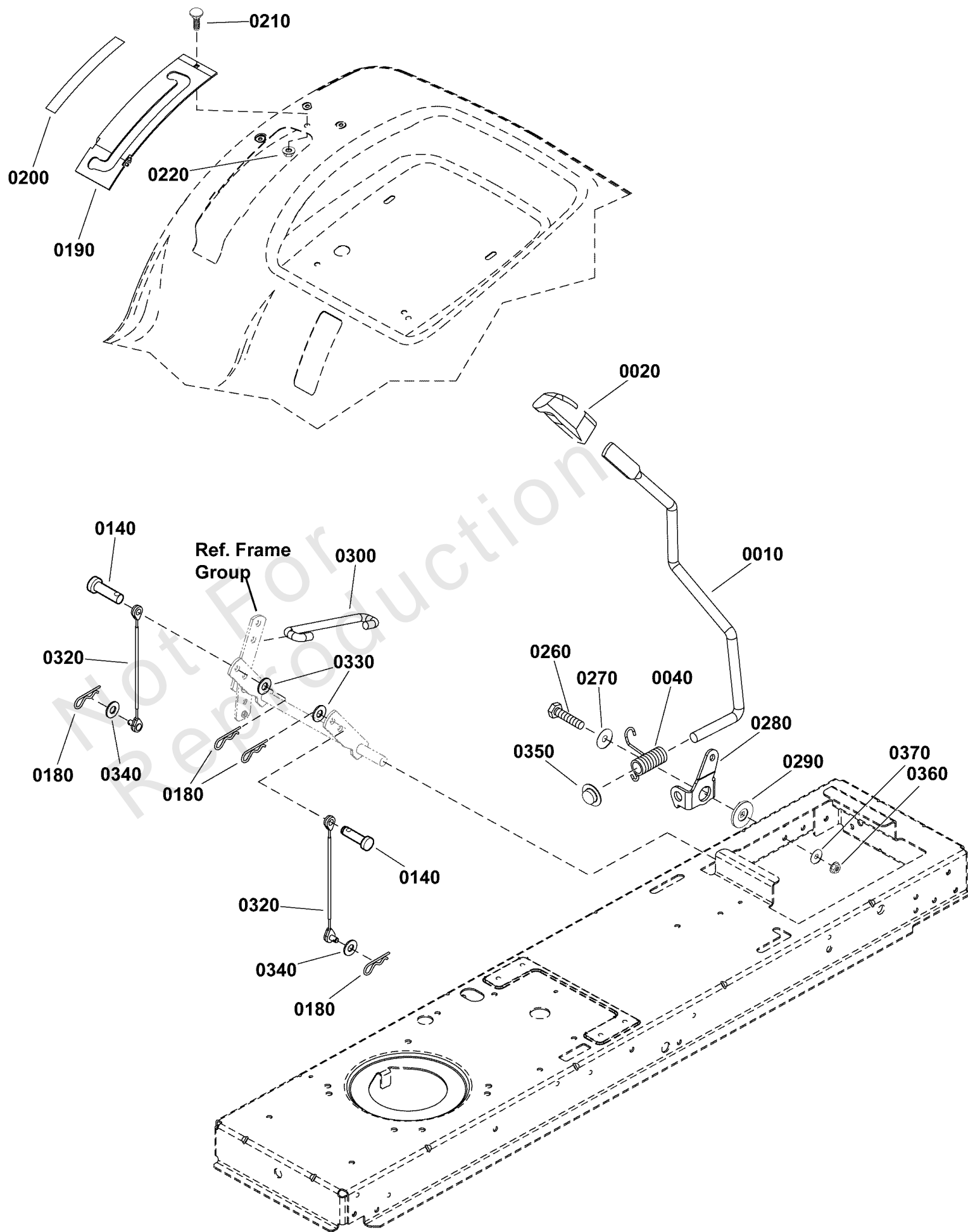
Hood, Grille & Dash Group

REF NO	PART NO	QTY	DESCRIPTION
0010	1754921CYP	1	HOOD, w/Scoop
0020	7102326YP	1	AIR DUCT, Plenum
0030	1761173CYP	1	PANEL, Side, RH
0040	1761174CYP	1	PANEL, Side, LH
0050	1761029CYP	1	GRILLE
0060	1761070YP	1	ROD, Hood Hinge
0070	1761429AYP	1	GRILLE, Front
0080	1960295SM	12	CAPSCREW, Hex Flange, Whiz Lock, 1/4-20 x 5/8
0090	703161	12	NUT
0100	1761508YP	1	LOWER DASH ASSEMBLY
0110	1761401YP	1	KNOB, Parking Brake
0120	1761402YP	1	KNOB, Cruise
0130	1761509YP	1	DECORATIVE TRIM
0135	1761253YP	1	DASH, Upper
0140	1960541SM	2	CAPSCREW, Hex Head Taptite, 5/16-18 x 3/4
0145	1761773YP	2	EDGING, Rubber
0150	703298	2	WASHER, 5/16
0160	1761399YP	1	COVER, Steering Shaft
0165	1761463YP	1	DASH BEZEL
0170	1761035YP	1	HEADLIGHT ASSEMBLY -(Incl. Ref. Nos. 0170-20)
0170-20	1760239YP	2	LED HEADLIGHT AND SOCKET ASSEMBLY -(Included with Ref. No. 0170)
0180	770135	1	SCREW
0190	1761481YP	1	ROD, Dash Support
0195	2860664SM	2	SCREW, HEX SEMS WSHR,
0200	703463	1	NUT, GR5, 1/4-20
0210	704130	4	SCREW, HEX, 1/4-20X.5
0215	1960556SM	2	SCREW, Pan Head Torx, Taptite, 1/4-20 x 3/4
0220	703985	4	SCREW, 5/16-18X.5
0230	1761068YP	2	CLIP, Hood Hinge
0240	1761212CJYP	1	BRACKET, Hood Hinge
0245	703332	2	WASHER
0250	703466	2	BOLT, GR5, 1/4X.0750

Lift Group - Roller Bar

Note: Unless noted otherwise, use the standard torque specifications

Mfg. No: 2691454-03



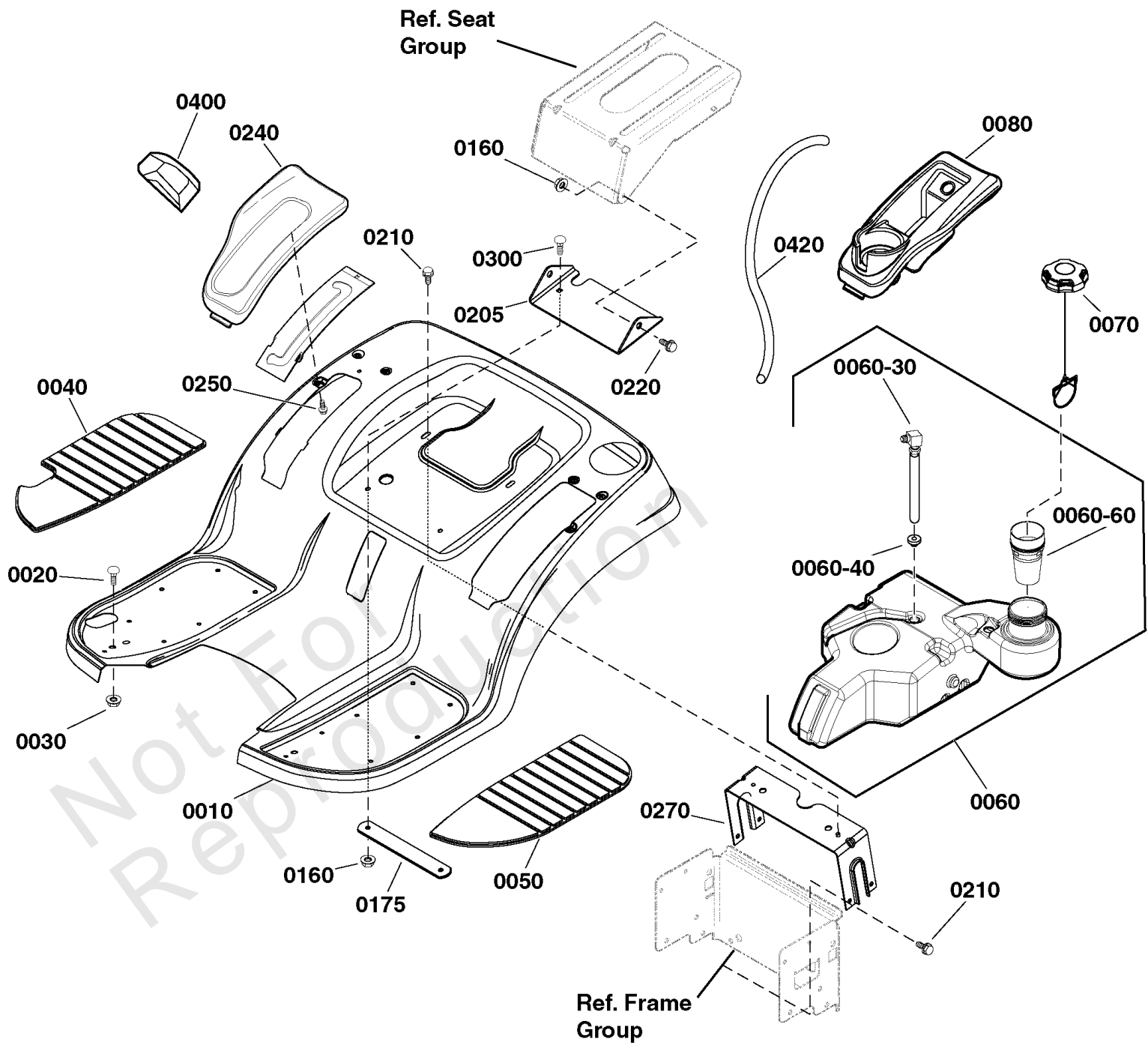
Lift Group - Roller Bar

REF NO	PART NO	QTY	DESCRIPTION
0010	1728070SM	1	ROD, Lift Handle, 18-7/8"
0020	1722302SM	1	GRIP
0040	1729652SM	1	SPRING, Torsion
0140	1732049SM	2	PIN, Clevis
0180	703300	4	PIN, 3/32 X 1.6 -(Quantity of 4 used on 44" 48" & 50" mower decks)
0190	1729583SM	1	QUADRANT, Lift
0200	1730263SM	1	DECAL, Transport Lift
0210	1960252SM	1	BOLT-RD HD SH SQ NK 1
0220	1930641SM	1	NUT, Hex Flange Whiz Lock, 1/4 - 20
0260	84003606	1	SCREW
0270	1933468SM	1	WASHER, 5/16 x 1-1/4 OD
0280	1728990ASM	1	CLEVIS, Lift
0290	1727935SM	1	SPACER-PIVOT 0.330ID
0300	1727954SM	1	ROD, Lift .375 dia
0320	1733125SM	2	CABLE, Lift, 9.56 LG -(Used on 38", 42" & 48" mower decks)
0320	1733126SM	2	CABLE, Lift w/Pin -(Used on 44" & 50" mower decks)
0330	703878	2	WASHER, FLAT
0340	1919326SM	2	WASHER, 5/16
0350	771009	1	PUSHNUT, 5/8
0360	703115		NUT
0370	703298	1	WASHER, 5/16

Seat Deck & Fuel Tank Group

Note: Unless noted otherwise, use the standard torque specifications

Mfg. No: 2691454-03



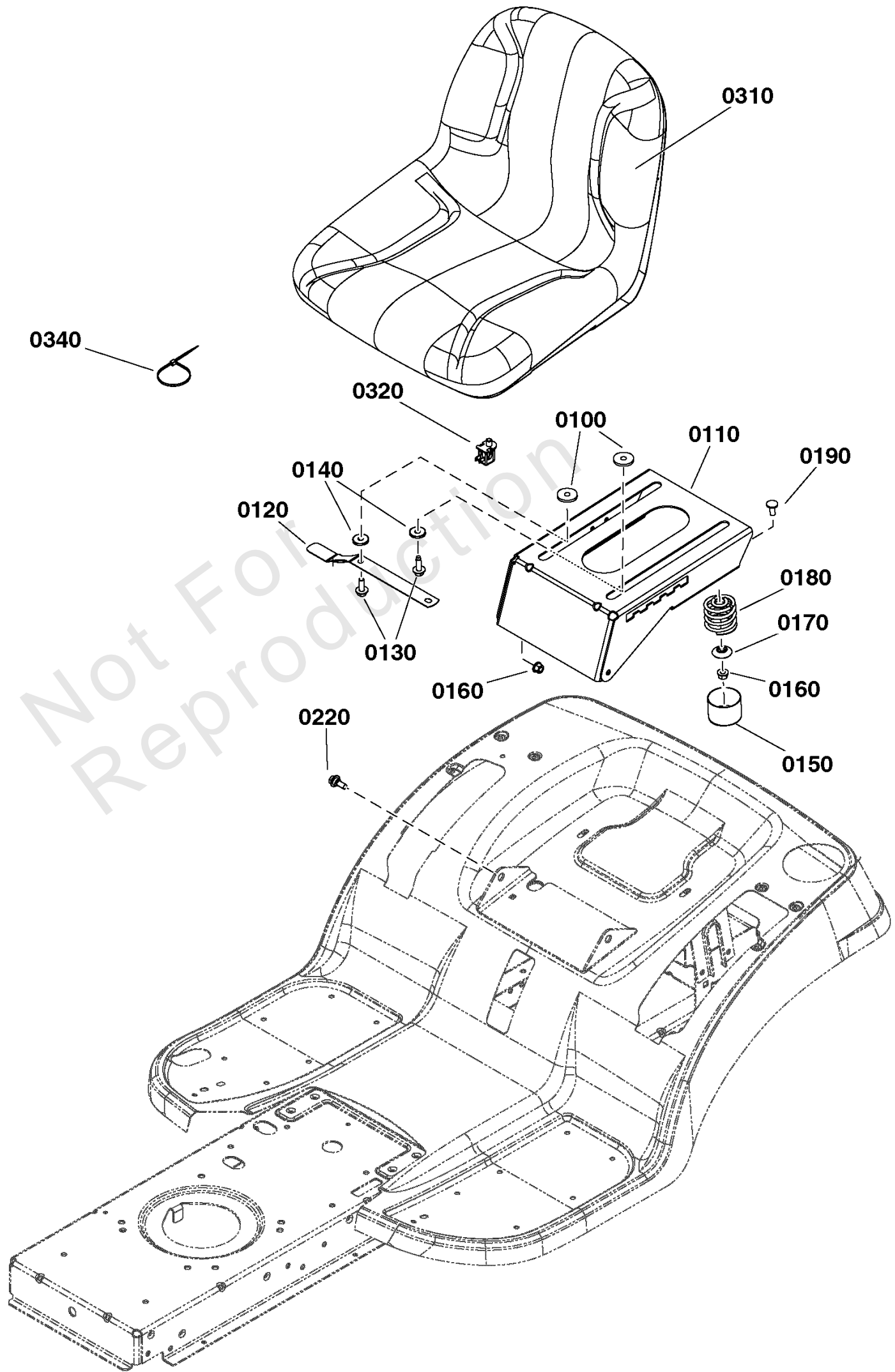
Seat Deck & Fuel Tank Group

REF NO	PART NO	QTY	DESCRIPTION
0010	1727264CSM	1	DECK, Seat w/Footrests (Orange)
0010	1727264DSM	1	SEAT DECK
0020	703185	2	BOLT, Round Head, Short Square Neck
0030	703409	2	NUT, 5/16-18, GR5
0040	1728007SM	1	PAD, Footrest, R.H.
0050	1728006SM	1	PAD, Footrest, L.H.
0060	1751226YP	1	TANK, Fuel
0060-30	1736609YP	1	FITTING & HOSE ASSEMBLY, Fuel Tank
0060-40	1654930SM	1	BUSHING, Fuel Tank
0060-60	-----	1	DROP TUBE -(Not Serviceable)
0070	1761224YP	1	CAP, Fuel
0080	1739535YP	1	POD, L.H.
0160	703115	2	NUT
0175	1759177CJYP	1	BRACKET, Support, Seat Pivot
0205	1757755BMYP	1	SUPPORT, Seat Pivot
0210	703949	6	SCREW, 5/16-18.625
0220	703851	2	BOLT, 5/16-18X1.15
0240	1739537YP	1	POD, R.H.
0250	1960536SM	6	SCREW, HEX WSHR HD PL
0270	1731310SM	1	SUPPORT, Seat Deck
0300	704065	2	BOLT, 5/16-18X.875
0400	1722302SM	1	GRIP
0420	7700552X91YP	1	HOSE, VAPOR, 91" -(Cut to Length)
0440	703586	2	TIE, SELF LOCKING

Seat Group

Note: Unless noted otherwise, use the standard torque specifications

Mfg. No: 2691454-03



Seat Group

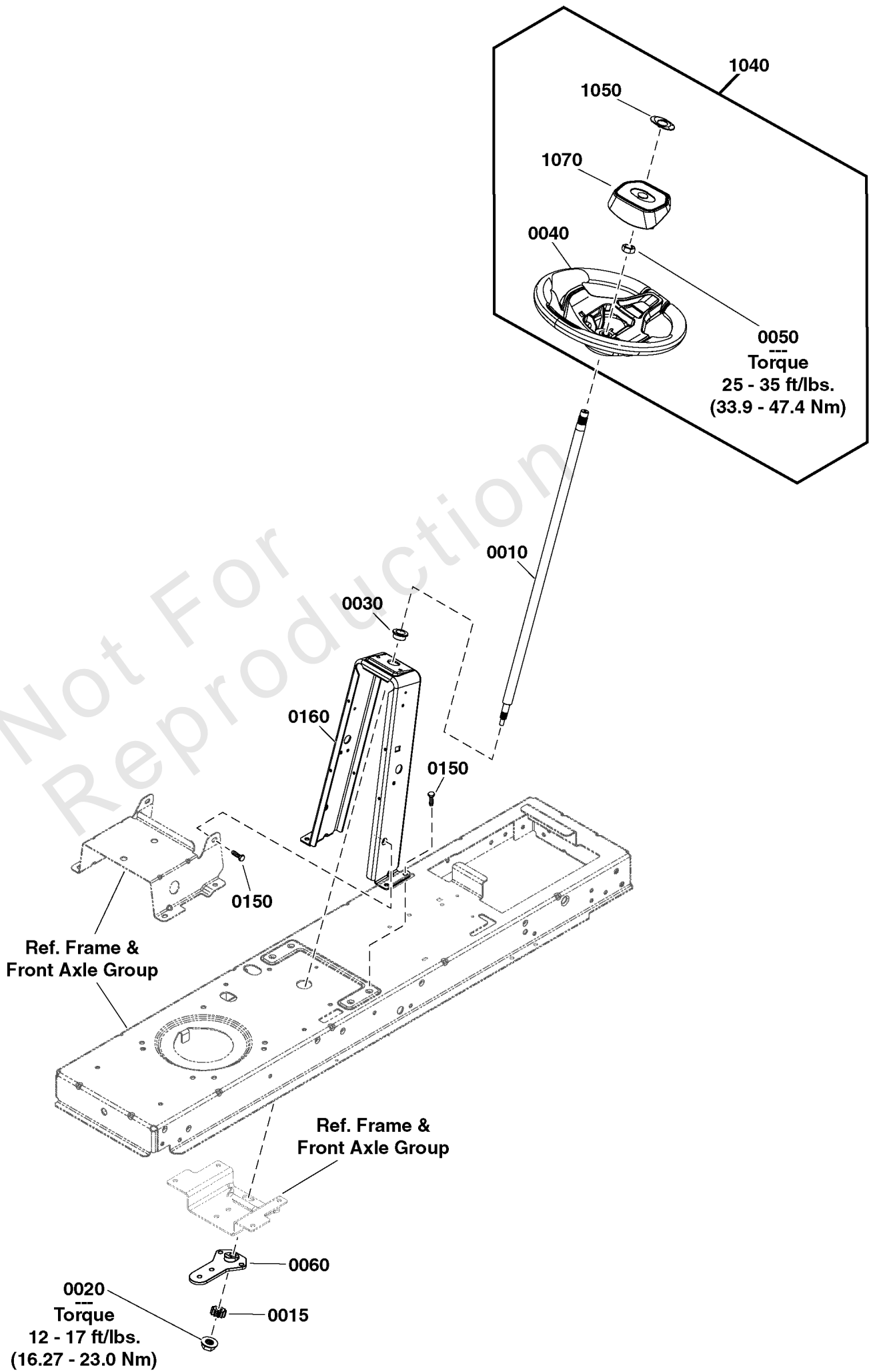
REF NO	PART NO	QTY	DESCRIPTION
0100	1731300SM	4	SPACER, 5/16 ID x 1-1/4 OD x 5/16"
0110	1755767BMYP	1	SUPPORT, Seat
0120	1727268BMYP	1	LATCH, Seat
0130	1930595SM	4	CAPSCREW, Hex Head Flange Lock, 5/16-18 x 1-1/4 -(Torque to 5.8-6.6 ft/lbs)
0140	703298	4	WASHER, 5/16
0150	1704724SM	2	COVER, Spring, 1-1/2"
0160	703115	4	NUT
0170	1709256SM	2	WASHER, Spring, 5/16 x 1 1/4
0180	1704728SM	2	SPRING, Compression, 2"
0190	703225	2	BOLT
0220	703851	2	BOLT, 5/16-18X1.15
0310	1754213YP	1	SEAT, 15" Back
0320	7023354YP	1	SWITCH, SEAT
0340	703586	1	TIE, SELF LOCKING

Not For Reproduction

Steering Group

Note: Unless noted otherwise, use the standard torque specifications

Mfg. No: 2691454-03



Steering Group

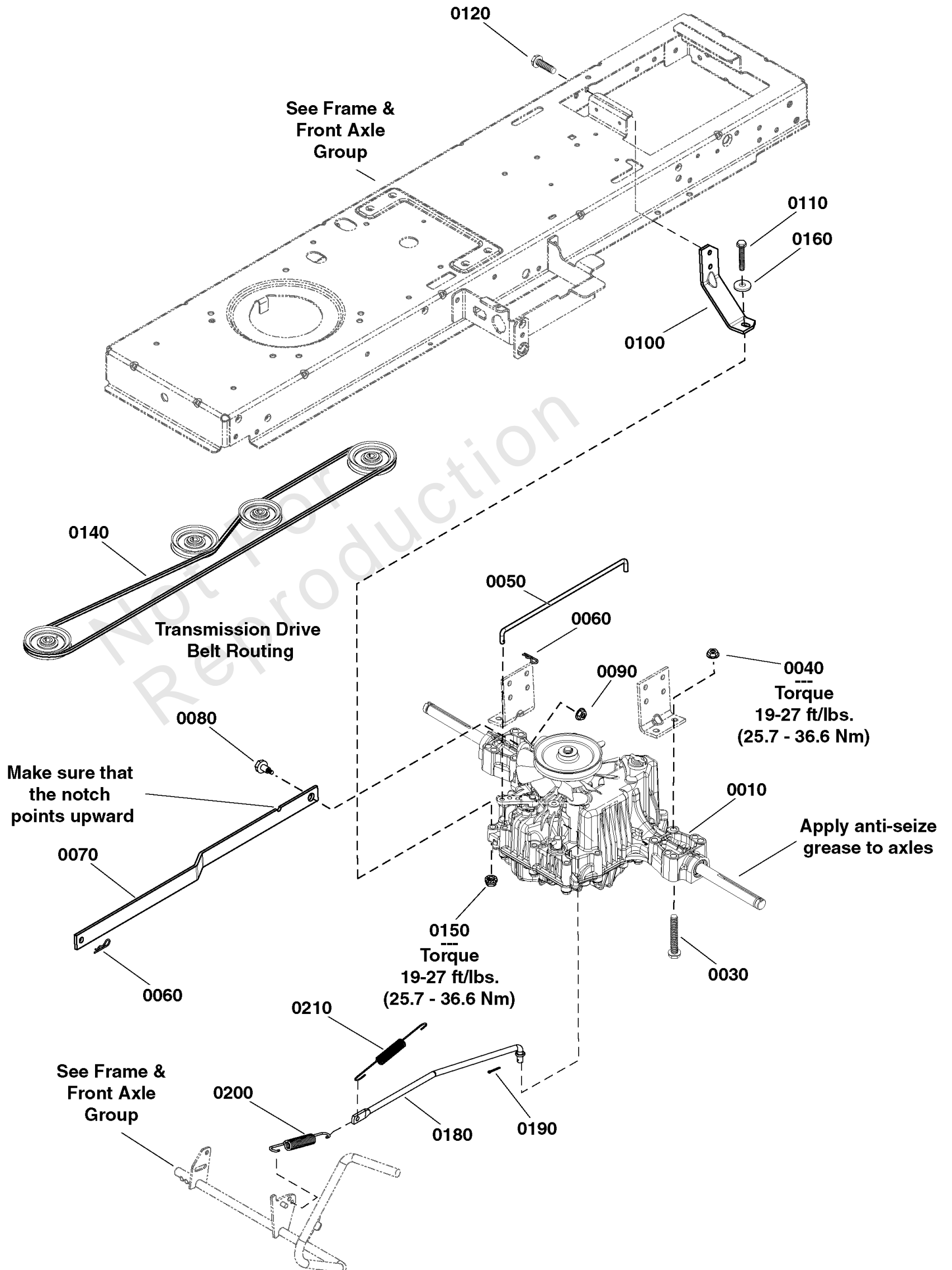
REF NO	PART NO	QTY	DESCRIPTION
0010	1761012YP	1	SHAFT, Steering
0015	1761013YP	1	GEAR, Pinion
0020	704067	1	NUT, HEX FLNG,5/16-18
0030	1729665SM	1	BUSHING, Steering, 3/4 ID
1040	84001122	1	KIT, Steering Wheel, Simplicity -(Incl. Ref. Nos. 0040, 0050, 1050 & 1070)
0040	-----	1	STEERING WHEEL
0050	1960576SM	1	NUT, Hex Lock, ESNA Light, 5/8-18
1050	1755843YP	1	DECAL, Logo, Steering Wheel
1070	84003162	1	CAP, Steering Wheel, Simplicity
0060	1761010YP	1	SUPPORT, Steering
0150	703949	6	SCREW, 5/16-18.625
0160	1761498CJYP	1	TOWER, Steering

Not For Reproduction

Transmission Group

Note: Unless noted otherwise, use the standard torque specifications

Mfg. No: 2691454-03



Transmission Group

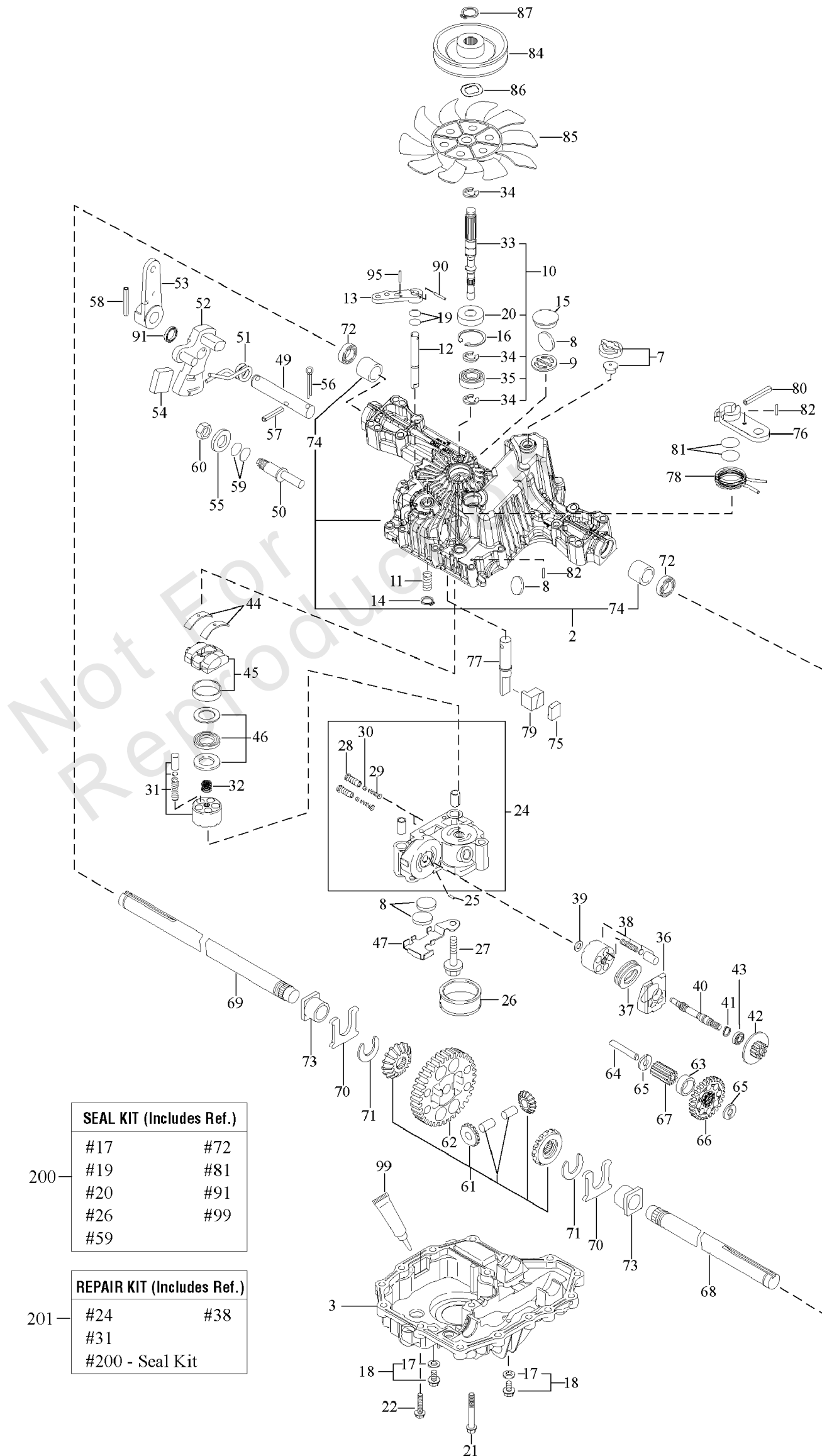
REF NO	PART NO	QTY	DESCRIPTION
0010	1761324YP	1	TRANSMISSION ASSEMBLY, Tuff Torque, K46BP
0030	1960586SM	4	CAPSCREW, Hex Flange, Whiz Lock, 5/16-18 x 2-1/2
0040	1931277SM	4	NUT, Hex Flange Whiz Lock Small, 5/16-18
0050	1728120SM	1	ROD, Bypass, 1/4 x 11 7/16
0060	1722460SM	2	PIN, Hair
0070	1727258ASM	1	ARM, Control
0080	1732426SM	1	BOLT-SHLDR 5/16-18 0.
0090	1935048SM	1	NUT, Hex Flange, Two Way Lock, 5/16-18
0100	1728043ASM	1	STRAP, Torque 7 GA
0110	1922127SM	1	SCREW, Hex Head Cap, 5/16-18 x 1 3/4
0120	1664847SM	1	SCREW, Taptite, 5/16-18 x 3/4
0140	1728008SM	1	V-BELT, HA, 89-1/4" Long
0150	1960686SM	1	NUT, Hex Flange Nylock, 5/16-18
0160	1919381SM	1	WASHER, Flat, .34 ID x 1" OD
0180	1727253SM	1	ROD, Brake, 3/8 Dia. x 15-1/8 Long
0190	1918447SM	1	PIN, Cotter, 15/16 x 3/4
0200	1731262SM	1	SPRING, Extension, 11/16 x 3-3/8
0210	1721995SM	1	SPRING, Extension, 5/8 x 6-5/8

Not For Reproduction

Transmission SERVICE PARTS - Tuff Torq K46BP (1729588)

Note: Unless noted otherwise, use the standard torque specifications

Mfg. No: 2691454-03



SEAL KIT (Includes Ref.)	
#17	#72
#19	#81
#20	#91
#26	#99
#59	

REPAIR KIT (Includes Ref.)	
#24	#38
#31	
#200 - Seal Kit	

Transmission SERVICE PARTS - Tuff Torq K46BP (1729588)

REF NO	PART NO	QTY	DESCRIPTION
1	1729588SM		TRANSMISSION ASSEMBLY, Tuff Torque, K46BP
2	-----		*KIT, Upper Case
3	-----		*LOWER CASE
7	1718052SM		VENT VALVE 15
8	1724279SM		MAGNET
9	-----		*MAGNET HOLDER
10	-----		*PUMP SHAFT/BEARING KIT
11	-----		SPRING 25
12	1724281SM		BYPASS SHAFT A
13	1720418SM		LEVER, Bypass
14	1718061SM		RING, Snap, 10
15	1724282SM		SEALING CAP, 30
16	1708650SM		RING, Snap, C 35
17	1724323YP		SEAL WASHER, 8
18	-----		KIT, Drain Bolt
21	-----		SCREW, Tapping, 8 * 55
22	1707789SM		SCREW, Tapping, 8 * 30
24	-----		CENTER CASE E W/BALL IDS SERVICE KIT
25	1718070SM		PIN, 3 * 9.8
26	-----		FILTER 105
27	1720805SM		BOLT, 10 * 75
28	-----		IDS VALVE 1.0
29	1724287SM		IDS SPRING
30	-----		BALL, 3/16
31	-----		KIT, Cylinder Block (Pump)
32	1724290SM		SPRING
33	1739892YP		PUMP SHAFT
34	1718076SM		E-RING, 15
35	1708673SM		BEARING, 6202C3
36	1718077SM		MOTOR HOUSING
37	-----		THRUST BEARING 51106
38	1718079SM		KIT, Cylinder Block
39	1718084SM		WASHER, 12 * 24 * 1
40	1724943SM		MOTOR SHAFT
41	1708672SM		RING, Snap, S15
42	1724294SM		BRAKE DISC/MOTOR GEAR (11T)
43	-----		BEARING, 6202 RSR C3
44	1718089SM		THRUST METAL
45	-----		SWASH PLATE CMP
46	1718086SM		THRUST BEARING K81105
49	-----		CONTROL SHAFT
50	-----		FULCRUM
51	-----		SPRING, Torsion
52	-----		CONTROL ARM A
53	1724347SM		CONTROL LEVER C
54	-----		JERKY PLATE
55	1708689SM		WASHER, 12
56	1724349SM		COTTER PIN, 1/8 * 3/4

Footnotes:

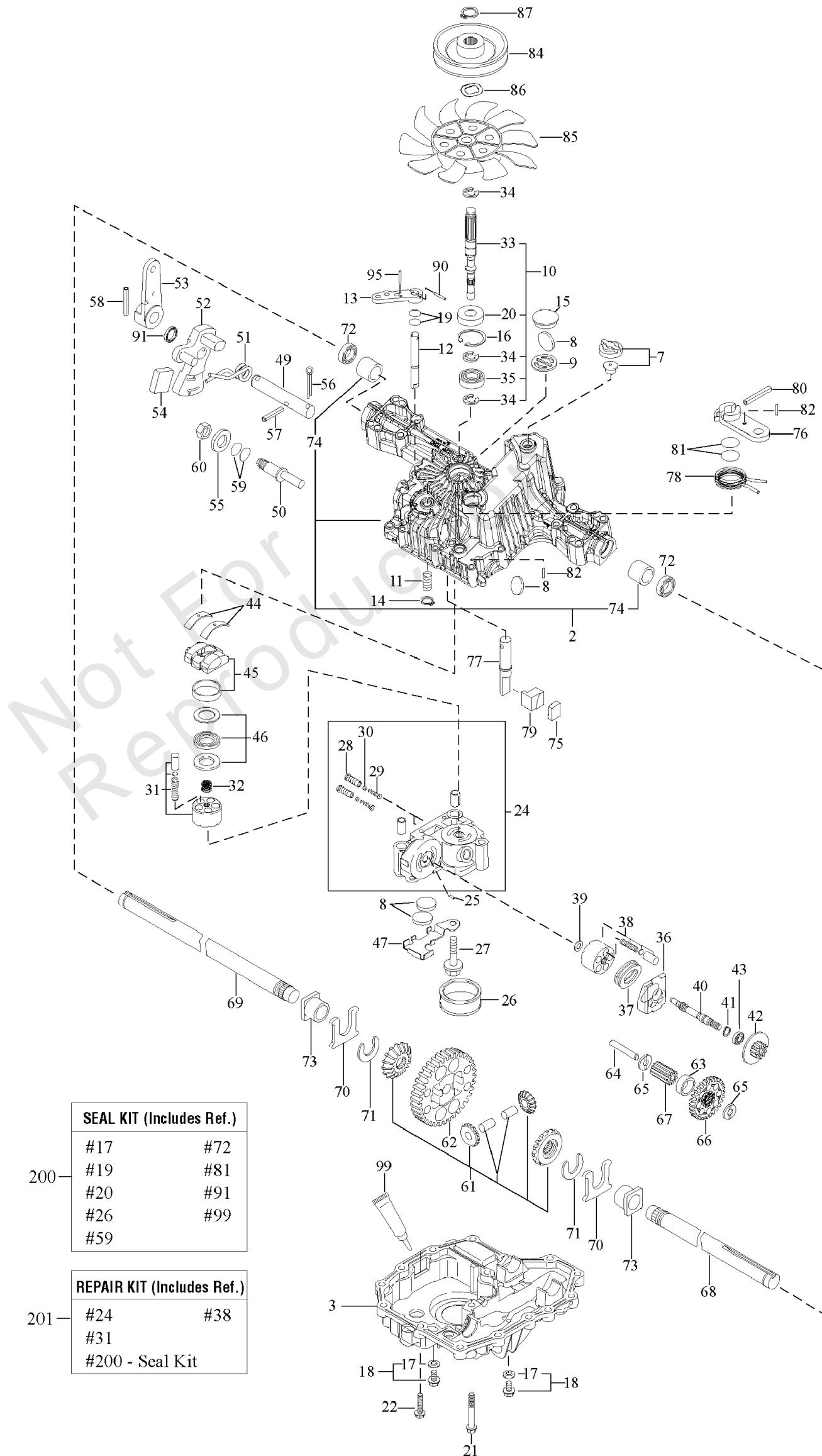
Note* See your local authorized dealership for Tuff Torq parts and warranty or contact Tuff Torq at www.tufftorqservices.com (1-866-572-3441 US only / 01-423-585-1977)

Note* See your local authorized dealership for Tuff Torq parts and warranty or contact Tuff Torq at www.tufftorqservices.com (U.S. 1-866-572-3441 / Int'l: 01-423-585-1977)

Transmission SERVICE PARTS - Tuff Torq K46BP (1729588)

Note: Unless noted otherwise, use the standard torque specifications

Mfg. No: 2691454-03



SEAL KIT (Includes Ref.)	
#17	#72
#19	#81
#20	#91
#26	#99
#59	

REPAIR KIT (Includes Ref.)	
#24	#38
#31	
#200 - Seal Kit	

Transmission SERVICE PARTS - Tuff Torq K46BP (1729588)

REF NO	PART NO	QTY	DESCRIPTION
57	1724296SM		SPRING PIN 6 * 36
58	1718100SM		ROLL PIN 6 * 40
60	1708692SM		NUT 12
61	-----		*KIT, Differential Gear
62	-----		*FINAL GEAR (54T)
63	-----		*FINAL PINION COLLAR
64	-----		*REDUCTION SHAFT
65	1724948SM		WASHER, 12 * 32 * 3.2
66	-----		*REDUCTION GEAR (37T)
67	-----		*FINAL PINION GEAR (10T)
68	1724303SM		AXLE SHAFT, Left
69	1724304SM		AXLE SHAFT, Right
70	-----		*THRUST WASHER
71	1718113SM		RING, 17
72	1718111SM		SEAL, 19 * 32 * 8 -(For this part only contact B&S Tech support)
73	1718110SM		BUSHING, 19 * 25
74	-----		*BUSHING, 19.05
75	1724305SM		BRAKE SHOE
76	1724306SM		BRAKE LEVER
77	-----		*BRAKE SHAFT
78	-----		*BRAKE RETURN SPRING
79	1724309SM		BRAKE ACTUATOR
80	1724310SM		SPRING PIN, 5 * 32
82	1724311SM		SPRING PIN 4 * 16
84	1732918SM		PULLEY D
85	1724314SM		FAN, White
86	1724315SM		WASHER, Wave
87	1724316SM		RING, Snap
90	-----		*SPRING PIN 3.0A * 20
95	-----		*SPRING PIN 3.0A * 16
99	-----		*SEALANT
200	1727541YP		K46 & T40 SEAL KIT
201	-----		*REPAIR KIT K46

Footnotes:

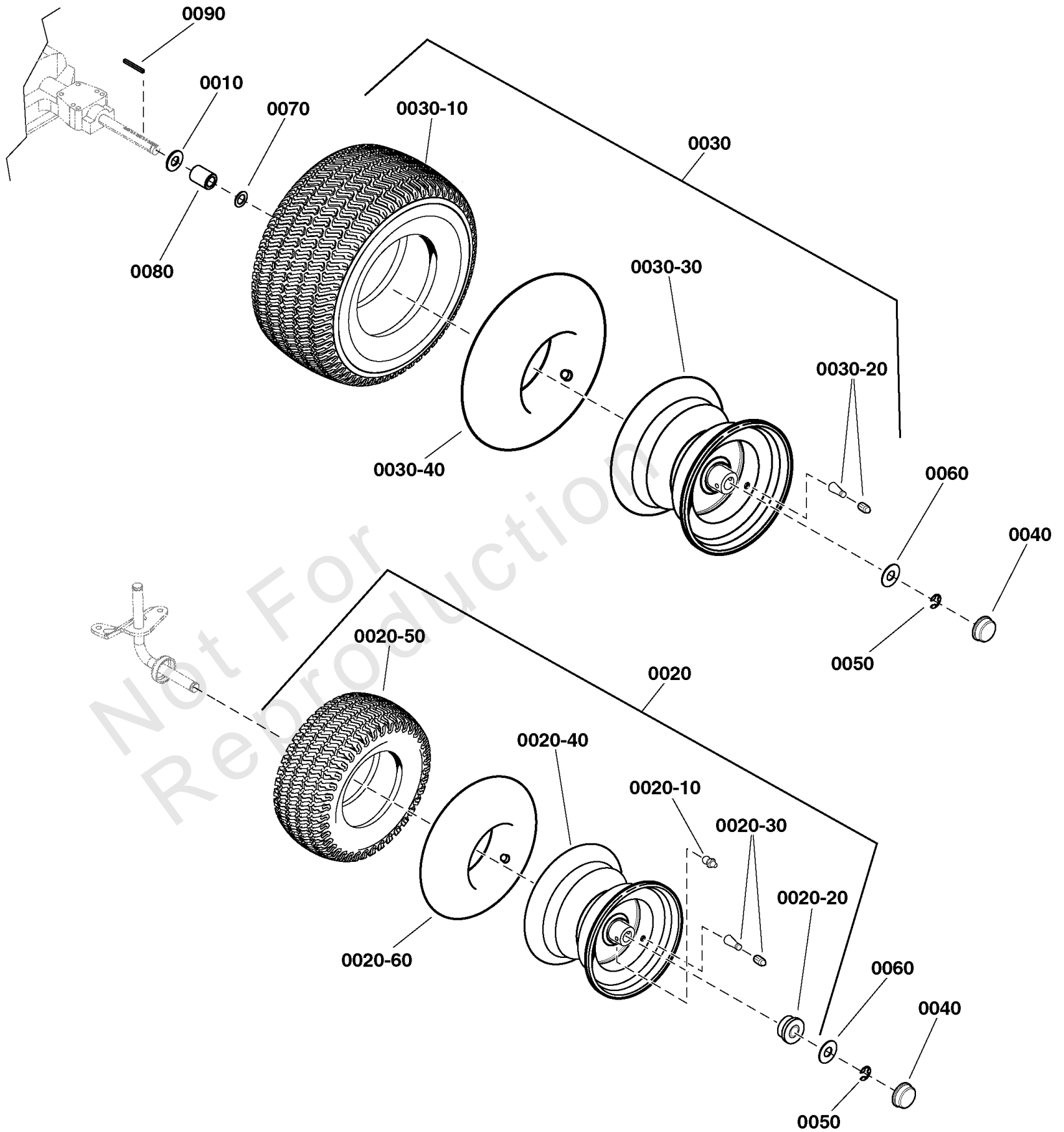
Note* See your local authorized dealership for Tuff Torq parts and warranty or contact Tuff Torq at www.tufftorqservices.com (1-866-572-3441 US only / 01-423-585-1977)

Note* See your local authorized dealership for Tuff Torq parts and warranty or contact Tuff Torq at www.tufftorqservices.com (U.S. 1-866-572-3441 / Int'l: 01-423-585-1977)

Wheels & Tires

Note: Unless noted otherwise, use the standard torque specifications

Mfg. No: 2691454-03



Wheels & Tires

REF NO	PART NO	QTY	DESCRIPTION
0010	2860202SM	1	WASHER, 3/4 x 1-5/8 OD x 1/8 Thick
0020	1761282YP	2	WHEEL AND TIRE ASSEMBLY, Front, 15 x 6-6
0020-10	2812808SM	1	FITTING, Lube, 1/4
0020-20	1713167SM	1	BEARING
0020-30	2172353SM	1	VALVE STEM & CAP
0020-40	-----	1	Rim -(Refer to Note: *)
0020-50	-----		TIRE, 15 x 6 2 Ply K505 -(Refer to Note: *)
0020-60	1664090SM	1	TUBE, Tire, Front
0030	1761283YP	2	WHEEL & TIRE ASSEMBLY, 20 x 8.0-8
0030-10	-----	1	TIRE, 20 x 8-8, K505 -(Refer to Note: *)
0030-20	2172353SM	1	VALVE STEM & CAP
0030-30	-----	1	RIM -(Refer to Note: *)
0030-40	2173477SM	1	TUBE
0040	094618MA	4	HUB CAP
0050	2827794SM	4	KLIPRING, .75 Dia Shaft
0060	17X195MA	4	WASHER, Flat 1-3/4
0070	17X160MA	2	WASHER, Flat, 3/4 x 1-1/4 x 16
0080	1730181SM	2	SPACER, 3/4 ID x 1-1/4 OD x 1-5/8
0090	MU021553MA	2	Key, Square

Not For Reproduction

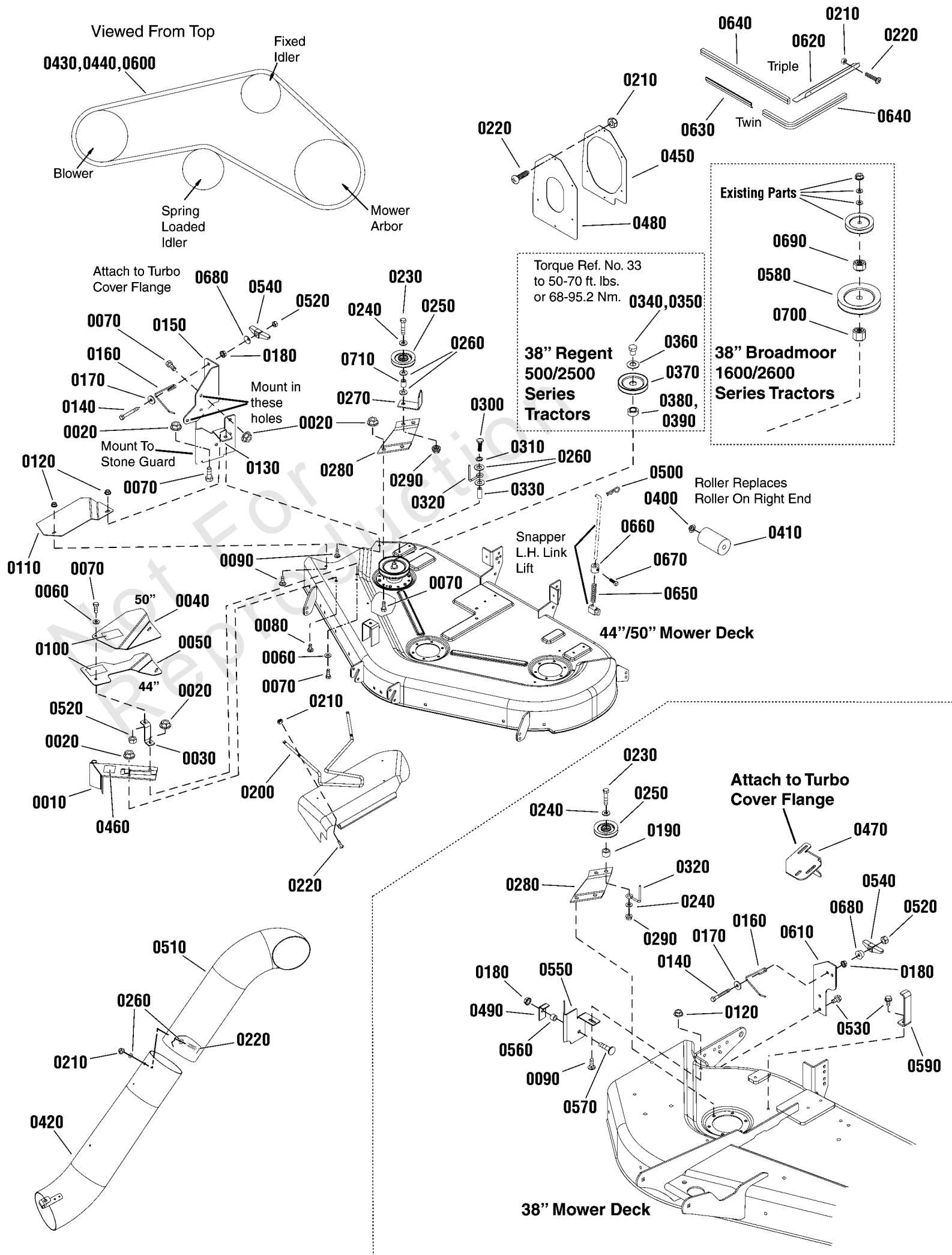
Footnotes:

Note* Not a serviceable part, service wheel complete

Turbo, Mounting Kit

Note: Unless noted otherwise, use the standard torque specifications

Mfg. No: 2691454-03



Turbo, Mounting Kit

REF NO	PART NO	QTY	DESCRIPTION
0010	1722546A	1	PIVOT BRACKET ASSEMBLY
0020	1931277	8	NUT, Hex Whiz Lock Flange, 5/16-18
0030	1718304A	1	SUPPORT, Belt Cover -(44" & 50" Mower Decks)
0040	1724376A	1	COVER, Belt, 50
0050	1724374A	1	COVER, Belt, 44
0060	1919326	4	WASHER, Flat, 5/16 -(44" & 50" Mower Decks)
0070	1923325	8	CAPSCREW, Hex, 5/16-18 x 7/8
0080	1931333	2	BOLT, Carriage, 5/16-18 x 3/4
0090	1931317	2	BOLT, Carriage, 1/4-20 x 3/4
0100	1717291	2	DECAL, Warning -(44" & 50" Mower Decks)
0110	1732591A	1	COVER, Mower -(44" & 50" Mower Decks)
0120	1960685	2	NUT, Keps Conical, 1/4 - 20
0130	1732592A	1	BRACKET, Baffle -(44" & 50" Mower Decks)
0140	1960318	1	CAPSCREW, Hex, 5/16 - 18 x 2-1/2
0150	1732619A	1	BAFFLE, Turbo -(44" & 50" Mower Decks)
0160	1705064	1	SPRING, Latch
0170	1919381	1	WASHER, 5/16
0180	1960636	2	NUT, Keps Lock, 5/16 - 18
0190	1667811	1	SPACER, 11/32 Long -(38" Mower Decks)
0200	1718295	1	ROD, Deflector
0210	1933896	13	NUT, ESNA Lock, 10-24
0220	1960404	13	SCREW, Truss Phillips, 10-24 x 3/4
0230	1923701	1	CAPSCREW, Hex, 3/8-16 x 2
0240	1924940	2	WASHER, Flat, 3/8
0250	1714817	1	PULLEY, Idler, 2-3/4" Dia. -(For 3L V-Belt, Replaced by Service Kit Ref. Nos. 0720, 0730 or 0740)
0250	1721134	1	PULLEY, Idler, 3" Dia. -(For Cog Belt, Included in Service Kit Ref. Nos. 0720, 0730 & 0740)
0260	1910531	2	WASHER, Rivet, 3/16
0270	1724373A	1	BRACKET, "L -(44" & 50" Mower Decks)
0280	1704768A	1	BRACKET, "Z
0290	1931211	1	NUT, Whiz Lock Small, 3/8-16
0300	1921221	1	CAPSCREW, Hex, 5/16-18 x 1-1/2 -(44" & 50" Mower Decks)
0310	1917356	1	LOCKWASHER, 5/16 -(44" & 50" Mower Decks)
0320	2172845	1	STOP, Belt
0330	1710703	1	SPACER, 5/8 Long -(44" & 50" Mower Decks)
0340	1733078	1	NUT, 1-7/32 Sleeve Length -(For Regent 500/2500 Series Tractors)
0350	1713523	1	NUT, 1-3/4 Sleeve Length -(For Broadmoor 1600/2600, 44" & 50" Series Tractors)
0360	1603592	1	WASHER, Flat, 7/8
0370	1709941	1	PULLEY, 4-5/16 OD -(44" & 50" Mower Decks)

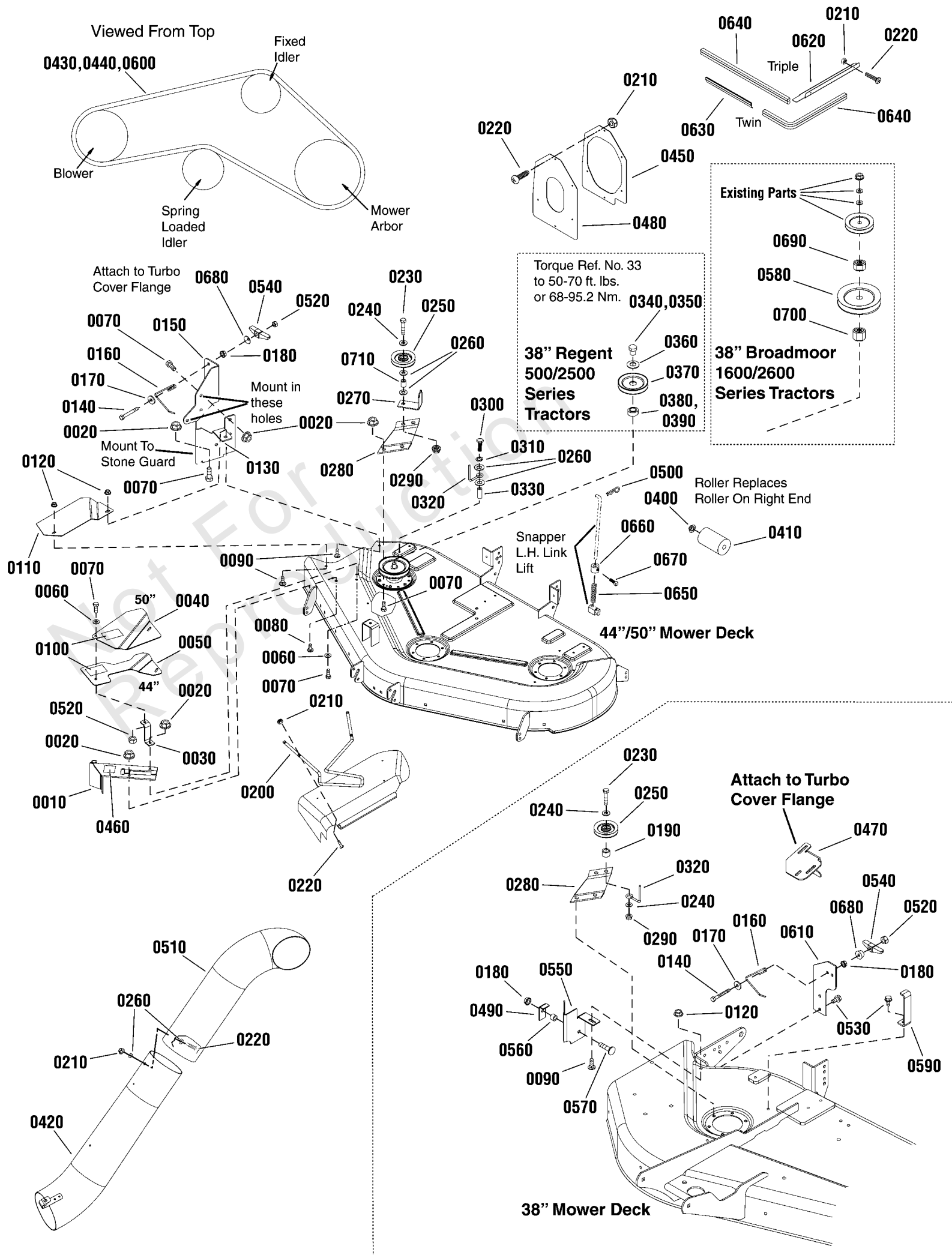
Footnotes:

Note:*(Not a serviceable part)

Turbo, Mounting Kit

Note: Unless noted otherwise, use the standard torque specifications

Mfg. No: 2691454-03



Turbo, Mounting Kit

REF NO	PART NO	QTY	DESCRIPTION
0380	1713623	1	HUB, 0.73L -(For Use On Regent 500/2500 Series Tractors)
0390	1713634	1	HUB, 1.28L -(For Use On Conquest 1800/2700 and Prestige 1800/2800, 44" &
0400	1960520	1	NUT, Push -(44" & 50" Mower Decks)
0410	1713540	1	ROLLER -(44" & 50" Mower Decks)
0420	1719719	1	TUBE ASSEMBLY, Lower
0430	1734004	1	V-BELT, 3L, 39.62 -(50" Mower Decks - Replaced by Service Kit Ref. No. 0740)
0430	1736554	1	V-BELT, Cog, 39.62 -(50" Mower Decks - Included in Service Kit Ref No. 0740)"1736553YP
0440	1732945	1	V-BELT, 3L, 37.90 -(44" Mower Decks - Replaced by Service Kit Ref. No. 0730)
0440	1736553	1	V-BELT, Cog, 37.90 -(44" Mower Decks - Included in Service Kit Ref. No. 0730)"1736554YP
0450	1732735A	1	SEAL, Flange
0460	-----	1	* DECAL, Patent
0470	1733077A	1	LATCH -(38" Mower Decks)
0480	1733741	1	SEAL, Cover
0490	1705308A	1	BRACKET, "L" Turbo -(38" Mower Decks)
0500	1960074	1	PIN, Klik -(44" & 50" Mower Decks)
0510	1732800	1	TUBE, Upper
0520	1919438	2	NUT, Hex Lock ESNA Light, 5/16-18
0530	1930601	3	SCREW, 5/16-18 x 5/8 -(38" Mower Decks)
0540	720727	1	WINGNUT
0550	1733076A	1	DEFLECTOR -(38" Mower Decks)
0560	1666294	1	SPACER -(38" Mower Decks)
0570	1960223	1	BOLT, Carriage, 5/16 - 18 x 1 1/4 -(38" Mower Decks)
0580	1713091	1	PULLEY, 5 OD -(38" Mower Decks)
0590	1722750A	1	BRACKET, Upstop -(38" Mower Decks)
0600	1733980	1	V-BELT, 3L, 47.70 -(38" Mower Decks - Replaced by Service Kit Ref. No. 0720)
0600	1737073	1	V-BELT, Cog, 47.875 -(38" Mower Decks - Included in Service Kit Ref. No. 0720)"1737073YP
0610	1724370A	1	BRACE, Turbo -(38" Mower Decks)
0620	1733580A	1	PLATE, Deflector -(44" & 50" Mower Decks)
0630	1717496	1	SEAL, Rubber
0640	1733579	1	SEAL, Rubber
0650	1729277	1	SPRING, Compression
0660	1719777	1	COLLAR, Locking
0670	1928721	1	SCREW, Set, 5/16 - 19

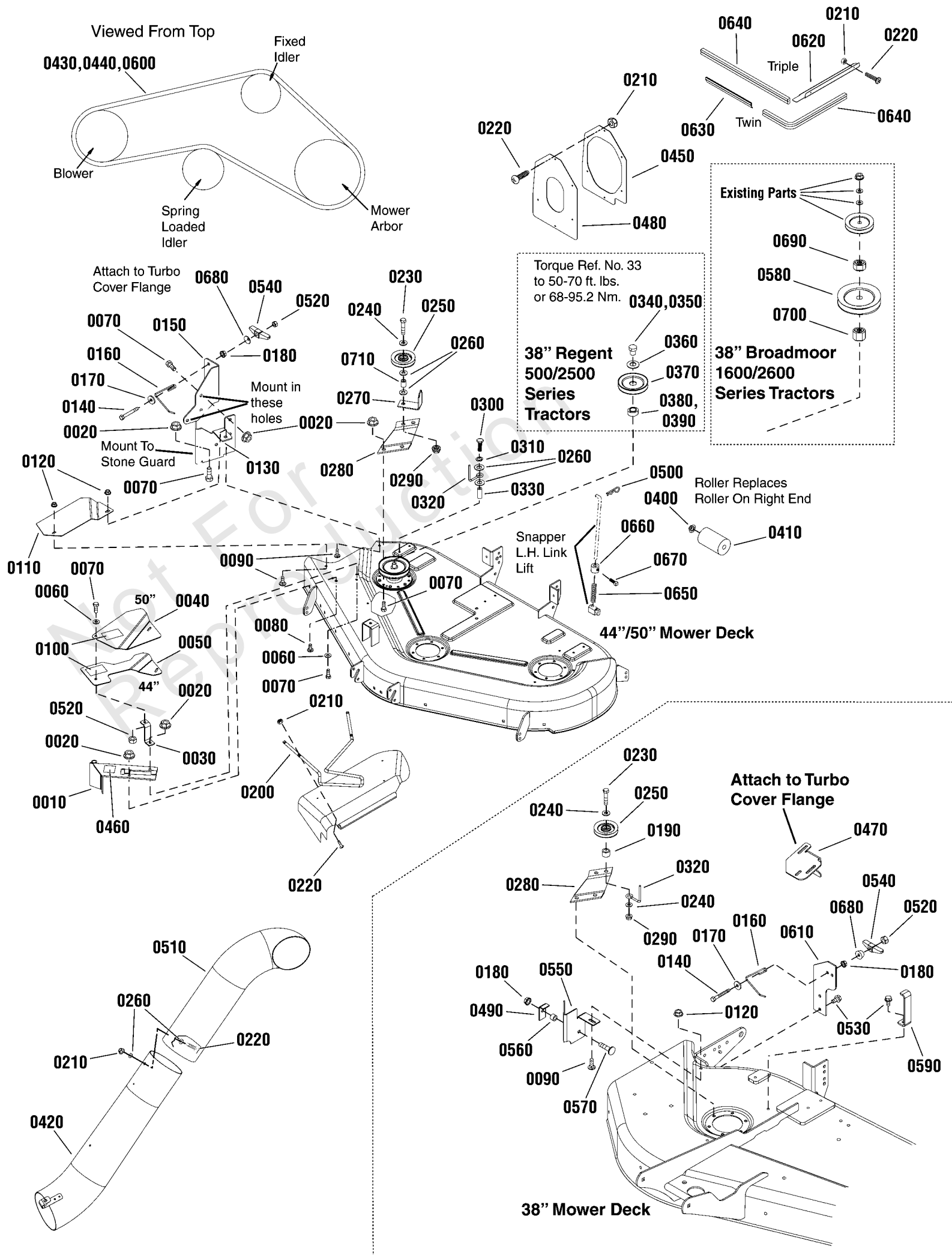
Footnotes:

Note:*(Not a serviceable part)

Turbo, Mounting Kit

Note: Unless noted otherwise, use the standard torque specifications

Mfg. No: 2691454-03



Turbo, Mounting Kit

REF NO	PART NO	QTY	DESCRIPTION
0680	1709256	1	WASHER, Cup, 21/64 x 1-1/4 OD
0690	1713613	1	HUB, PULLY, 11/16 ID x 1-1/2 OD x 1-1/4 Lg -(For Use On 38" Broadmoor 1800/2600 Series Tractors)
0700	1713621	1	HUB, PULLY, 11/16 ID x 1-1/2 OD x 1.65 Lg -(For Use On 38" Broadmoor 1800/2600 Series Tractors)
0710	2108717	1	SPACER, 5/8" OD x 17/64" Lg -(38" & 44" Mower Decks - Included in Service Kit Ref. Nos. 0730, 0740)
--	1687415	1	KIT, Belt & Pulley -(38" Mower Decks)
--	1687416	1	KIT, Belt & Pulley -(44" Mower Decks)
--	1687417	1	KIT, Belt & Pulley -(50" Mower Decks)
--	1660934	1	*HARDWARE BAG
--	1732839	1	INSTALLATION INSTRUCTIONS

Not For
Reproduction

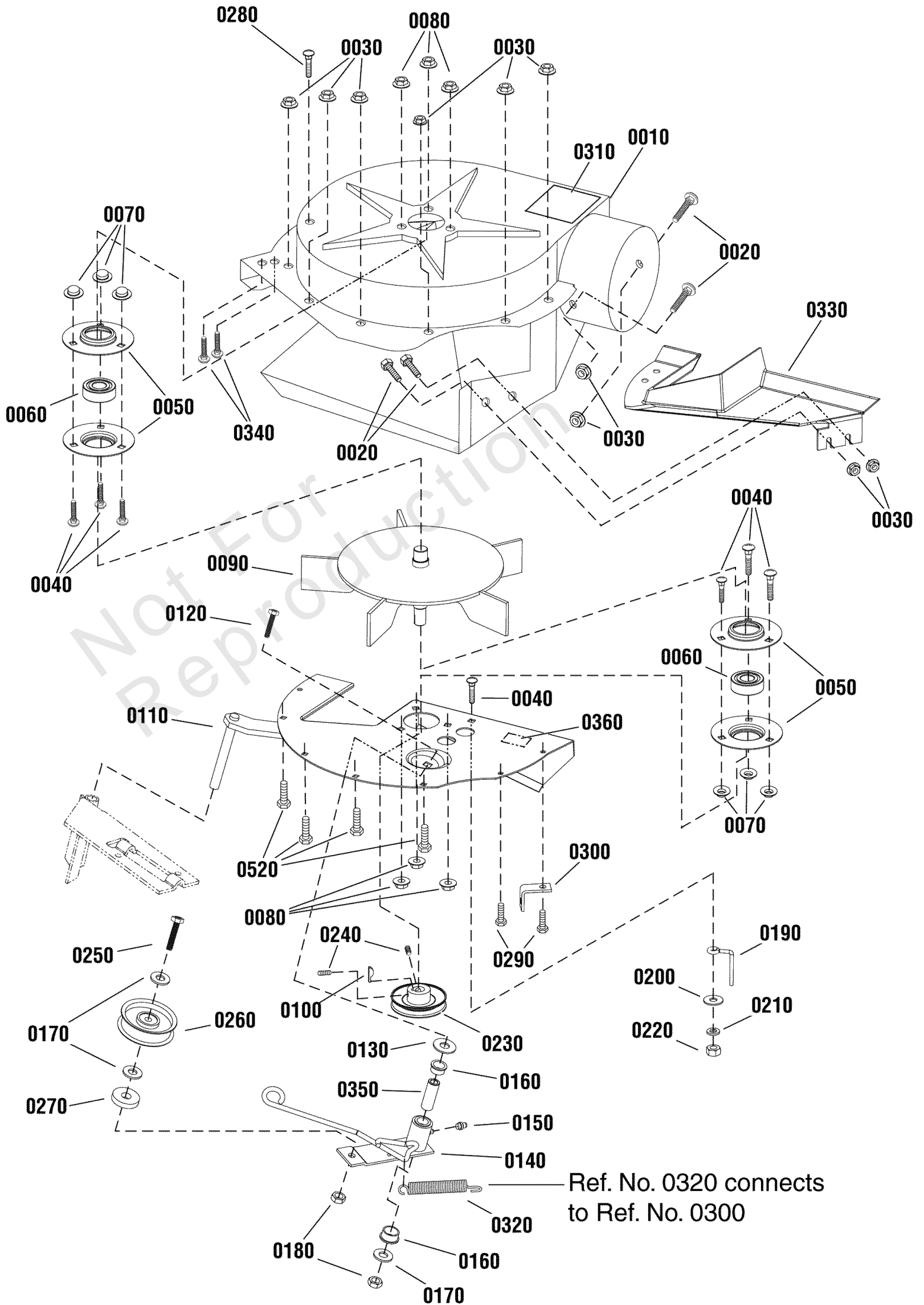
Footnotes:

Note:*(Not a serviceable part)

Turbo Blower Group

Note: Unless noted otherwise, use the standard torque specifications

Mfg. No: 2691454-03



Turbo Blower Group

REF NO	PART NO	QTY	DESCRIPTION
0010	1724441	1	HOUSING FAN ASSEMBLY
0020	1931317	4	BOLT, Carriage, 1/4 - 20 x 3/4
0030	1930641	10	NUT, Hex Flange Whiz Lock, 1/4-20
0040	1931333	7	BOLT, Carriage, 5/16 -18 x 3/4
0050	1665982A	4	RETAINER, Bearing
0060	2108202	2	BEARING
0070	1933988	6	PUSH NUT, 5/16
0080	1927557	6	NUT, Hex Flange Whiz Lock, 5/16-18
0090	1706631A	1	FAN ASSEMBLY, 5 Blades
0100	2860403	1	KEY, Woodruff
0110	1706465A	1	PLATE ASSEMBLY
0120	1931355	1	BOLT, Carriage, 3/8 -16
0130	1924361	1	WASHER, Flat
0140	1706284A	1	LEVER ASSEMBLY, Turbo
0150	2821133	1	FITTING, Lube
0160	1676148	2	BUSHING
0170	1924940	3	WASHER, Flat, 3/8 x 7/8 OD
0180	1960251	2	NUT, Hex Center Lock Jam, 3/8-16
0190	1678435	1	BELT, Stop
0200	1924874	1	WASHER, Flat, 5/16 x 7/8 OD
0210	1917356	1	LOCKWASHER, 5/16
0220	1917372	1	NUT, Hex, 5/16 - 18
0230	1736092	1	PULLEY ASSEMBLY IDLER
0240	1960619	2	SETSCREW, Torx
0250	1920415	1	CAPSCREW, Hex Head, 3/8 - 16 x 1-1/4
0260	2154534	1	PULLEY ASSEMBLY, Idler
0270	1933263	1	WASHER, Flat, 7/16 x 1-1/4 OD
0280	1925003	1	SCREW, Washer Head Taptite, 1/4-20 x 1/2
0290	1924009	2	CAPSCREW, Hex Head, 1/4-20 x 7/8
0300	1668500	1	ANCHOR, Spring
0310	1700259	1	DECAL, Danger -(Included with Ref. No. 1)
0320	1716853	1	SPRING, Tension
0330	1705267	1	PLATE, Cover
0340	1960728	2	SCREW, Hex Washer Head, 1/4 x 3/4
0350	1676833	1	SPACER
0360	-----	1	* DECAL, Patent
0520	1921959	4	CAPSCREW, 1/4-20 x 5/8

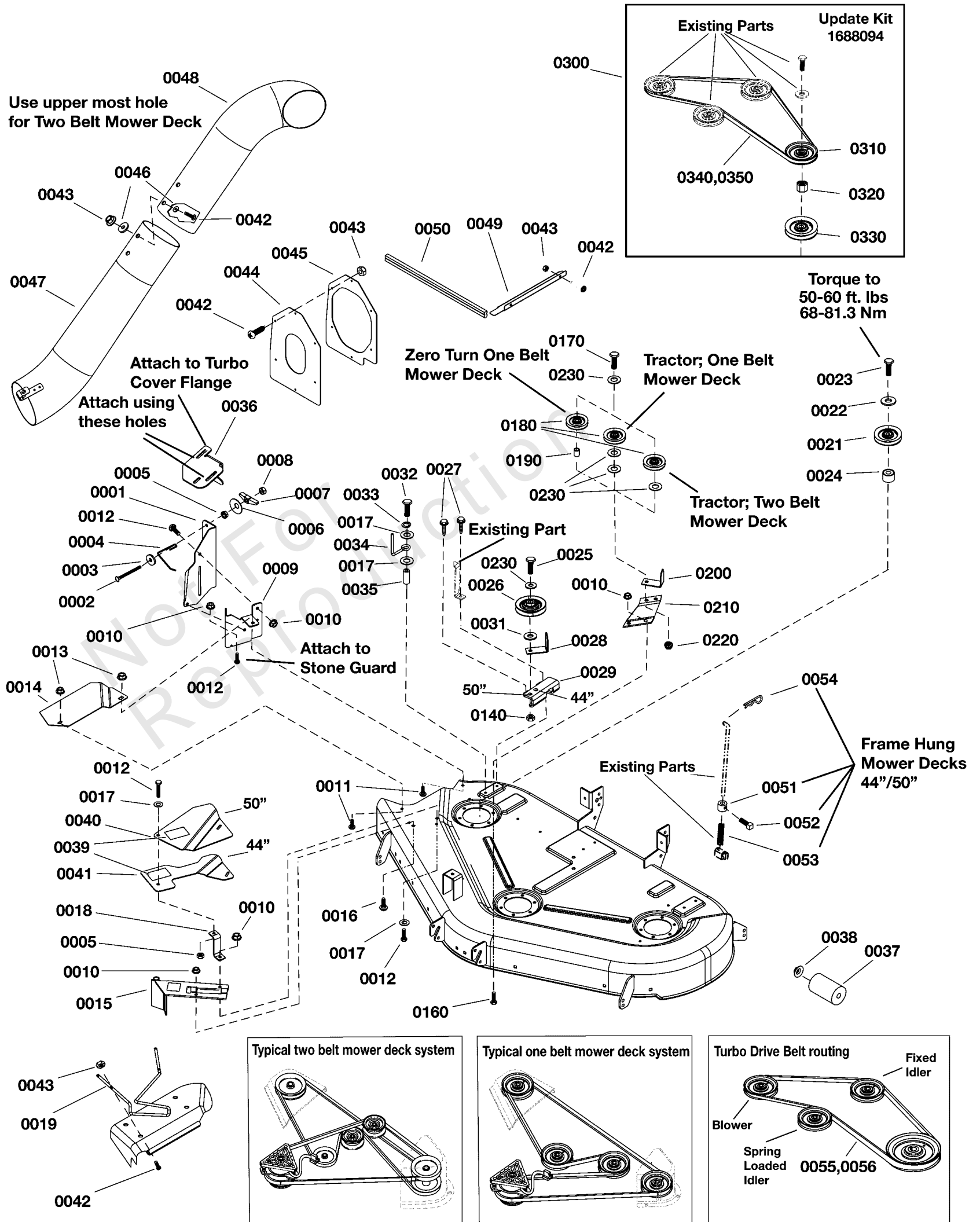
Footnotes:

Note:* Not a serviceable part.

Turbo Mounting Kit

Note: Unless noted otherwise, use the standard torque specifications

Mfg. No: 2691454-03



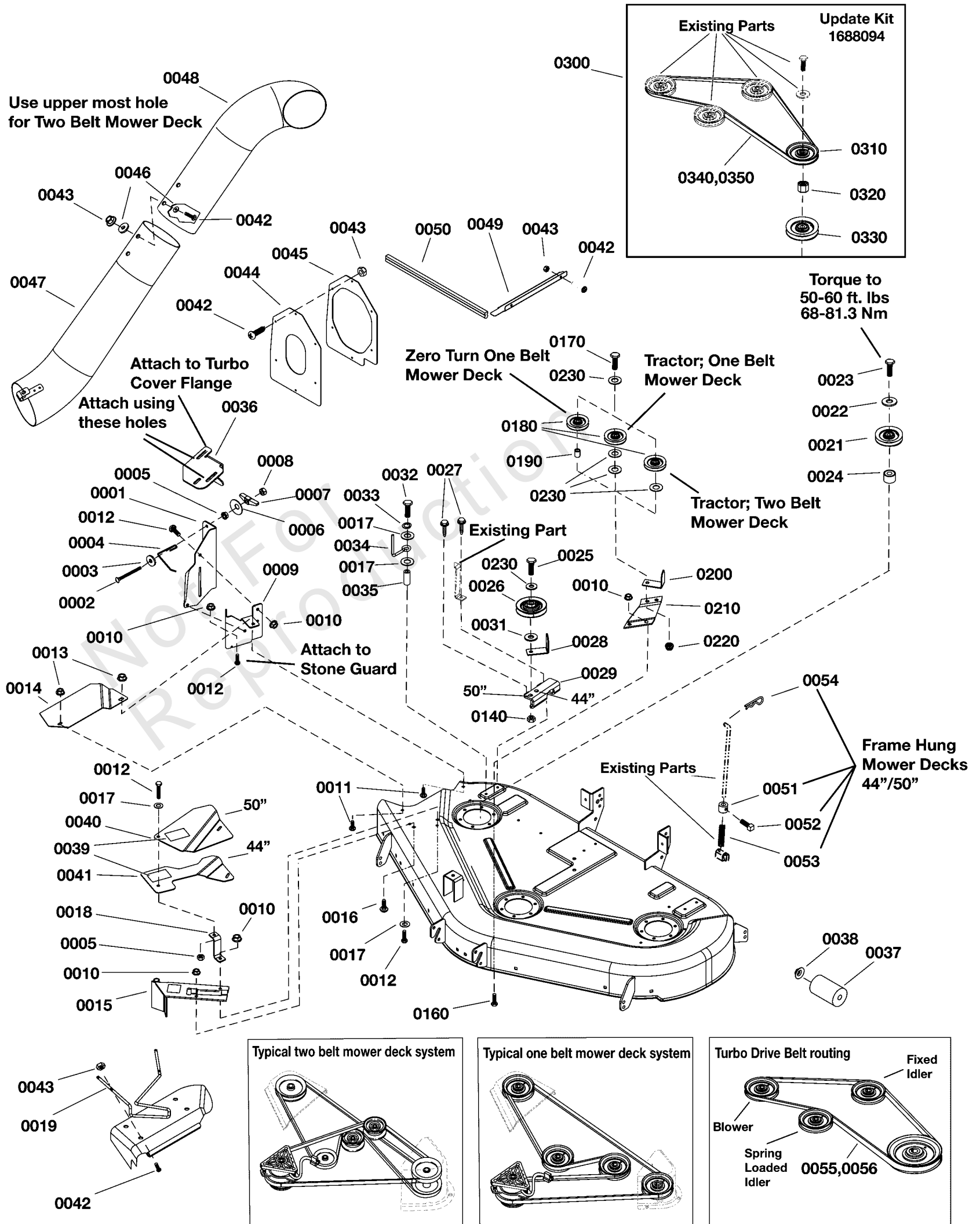
Turbo Mounting Kit

REF NO	PART NO	QTY	DESCRIPTION
0001	1732619ASM	1	BAFFLE, Turbo
0002	1960318SM	1	CAPSCREW, Hex Head, 5/16-18 x 2-1/2 G5 Flat Black
0003	703298	1	WASHER, 5/16
0004	1705064SM	1	SPRING, Latch, .125WIRE 4.3LG Black
0005	1960636SM	2	NUT, Hex, 5/16-18
0006	1709256SM	1	WASHER, Spring, 5/16 x 1 1/4
0007	671294MA	1	WINGNUT, .5/16-18
0008	1501883701MA	1	NUT, Hex Nylock, 5/16-18
0009	1732592ASM	1	BRACKET, Baffle
0010	1931277SM	6	NUT, Hex Flange Whiz Lock Small, 5/16-18
0011	703576	2	BOLT, Carriage, 1/4-20 x 3/4, G5
0012	1923325SM	6	CAPSCREW, Hex Head, 5/16-18 x 7/8, G5
0013	1960685SM	2	NUT, Hex, KEPS, Conical, 1/4-20
0014	1732591ASM	1	COVER, Mower
0015	1722546ASM	1	PIVOT & BRACKETS ASSEMBLY, 38, 44 & 50"
0016	1931333SM	1	BOLT, Carriage, Short Neck, 5/16-18 x 3/4, GR 5
0017	1919326SM	4	WASHER, 5/16
0018	1718304ASM	1	SUPPORT, Belt Cover 10GA 1.0WD 3.0LG
0019	1718295SM	1	ROD
0021	1709941SM	1	PULLEY, 4-5/16" OD
0022	1656916SM	1	WASHER, SPRING 0.475I
0023	1927531SM	1	CAPSCREW-HEX HD 7/16-
0024	706362	1	SPACER, HUB
0025	703589	1	CAPSCREW, 3/8-16X2
0026	1721134SM	1	PULLEY, 3" OD
0027	704146	2	SCREW, HEX, 5/16-18X1
0028	1724373ASM	1	BRACKET, L 12GA 1.24WD 2.24LG 2.28LG
0029	1756261AYP	1	BRACKET, Idler Pulley
0031	704128	1	WASHER
0032	703906	1	CAPSCREW, 5/16-18X1.5
0033	703116	1	LCKWSHR
0034	2172845SM	1	STOP, Belt, .188WIRE 1.750,2.250 Black
0035	1710703SM	1	SPACER, 3/8 x 1/2 x 5/8
0036	1733077ASM	1	LATCH - 38" Turbo
0037	1713540SM	1	ROLLER, 2 1/2 OD
0038	1960520SM	1	NUT, Push, 5/8
0039	1717291SM	2	DECAL, WARNING Sheild & Mower Deflector
0040	1724376ASM	1	COVER, Belt, 50"
0041	1724374ASM	1	COVER, Belt, 44"
0042	1960404SM	13	SCREW, Truss Head, Phillips, #10-24 x 3/4,
0043	MT15X146MA	13	NUT, Nylock, #10-24
0044	1733741SM	1	SEAL, Cover
0045	1732735ASM	1	FLANGE, Seal
0046	1910531SM	2	WASHER, Rivet, 3/16
0047	1719719SM	1	ASSEMBLY, Tube & Clip, Lower
0048	1732800SM	1	ELBOW, Vacuum
0049	1733580ASM	1	PLATE, Deflector
0050	1733579SM	1	EDGING, 21-1/2"
0051	1719777SM	1	COLLAR, Set
0052	1928721SM	1	SETSCREW, Square Head, 5/16-18 x 1/2, G8
0053	1729277SM	1	SPRING, Composite, 3-5/8

Turbo Mounting Kit

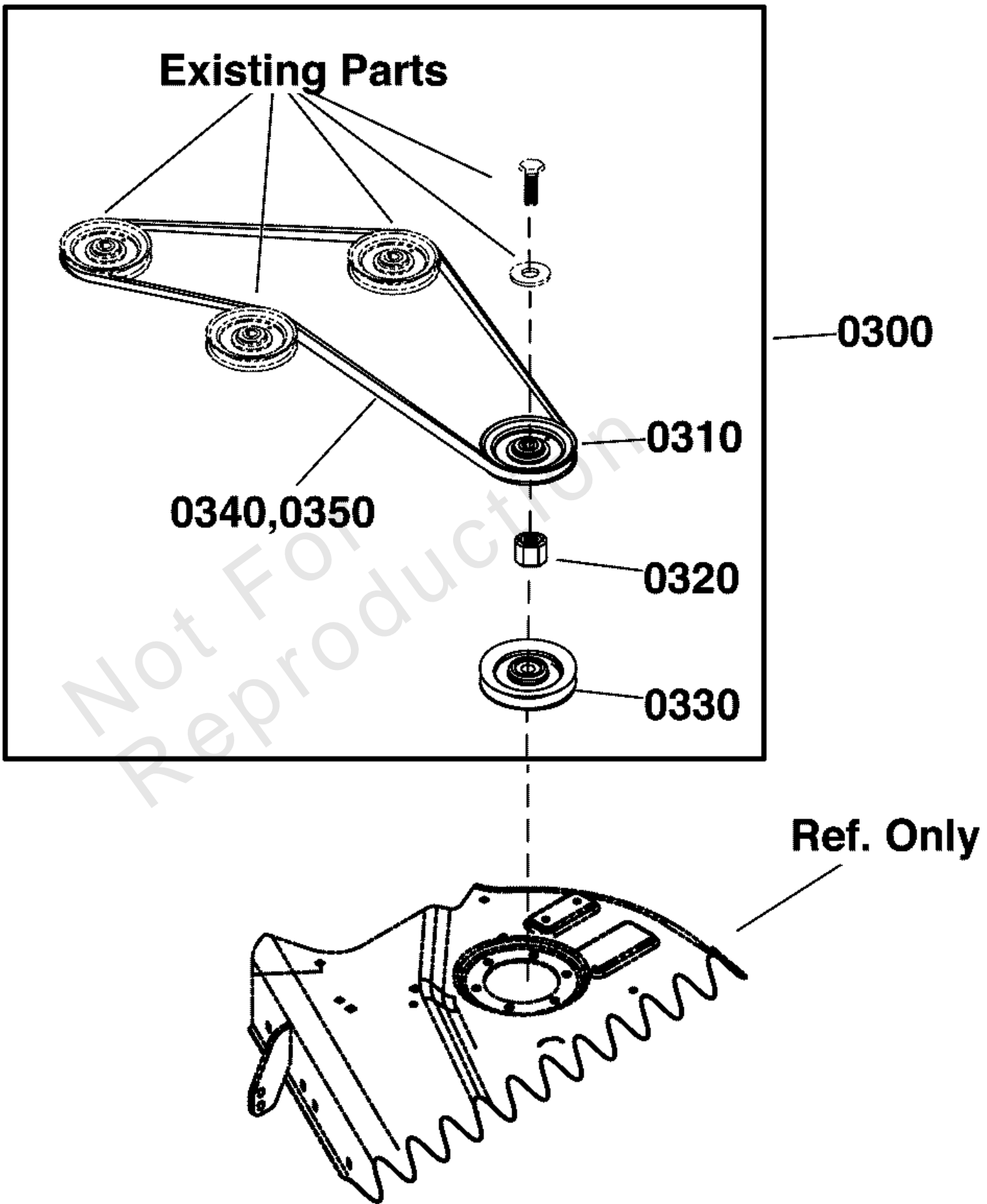
Note: Unless noted otherwise, use the standard torque specifications

Mfg. No: 2691454-03



Turbo Mounting Kit

REF NO	PART NO	QTY	DESCRIPTION
0054	703300	1	PIN, 3/32 X 1.6
0055	1736553YP	1	V-BELT, Cog, 37.90
0056	1736554YP	1	V-BELT, Cog, 39.62
0140	703347	1	NUT, 3/8-16
0160	703408	2	CAPSCREW, 5/16-18
0170	703589	1	CAPSCREW, 3/8-16X2
0180	1721134SM	1	PULLEY, 3" OD
0190	2108717SM	1	SPACER, 0.390ID x 0.625OD x .265LG
0200	1724373SM	1	L BRACKET
0210	1704768SM	1	Z BRACKET
0220	703333	1	NUT, 3/8-16
0230	703878	3	WASHER, FLAT
--	1687416YP	1	KIT, Belt & Pulley, 44" Mower Decks
--	1687417YP	1	KIT, Belt & Pulley, 50" Mower Decks
0300	1688094	1	KIT, Turbo Upfit -(Includes Ref Nos 0310 through 0350)
0310	1713090SM	1	PULLEY, 3 3/4
0320	706363	1	SPACER, HUB
0330	1755470YP	1	PULLEY, Deep Groove, 4 1/4
0340	84004741	1	V-BELT, Cog, 37.90 -(Use on 44" Mower Decks)
0350	84004742	1	V-BELT, Cog, 39.62 -(Use on 50" Mower Decks)



Update Kit

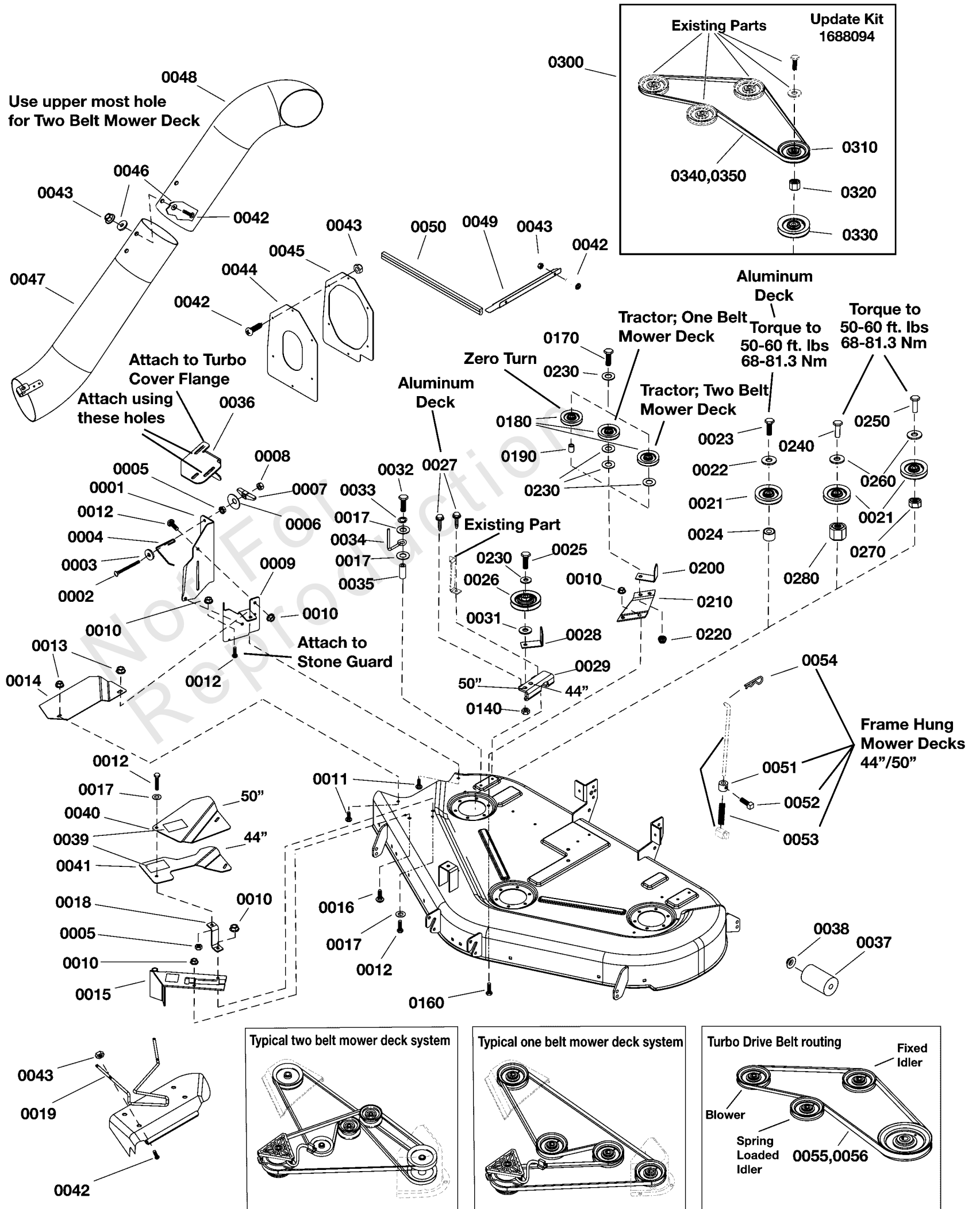
REF NO	PART NO	QTY	DESCRIPTION
0300	1688094	1	KIT, Turbo Upfit
0310	1713090SM	1	PULLEY, 3 3/4
0320	706363	1	SPACER, HUB
0330	1755470YP	1	PULLEY, Deep Groove, 4 1/4
0340	84004741	1	V-BELT, Cog, 37.90 -(Use on 44" Mower Decks)
0350	84004742	1	V-BELT, Cog, 39.62 -(Use on 50" Mower Decks)

Not For Reproduction

Turbo Mounting

Note: Unless noted otherwise, use the standard torque specifications

Mfg. No: 2691454-03



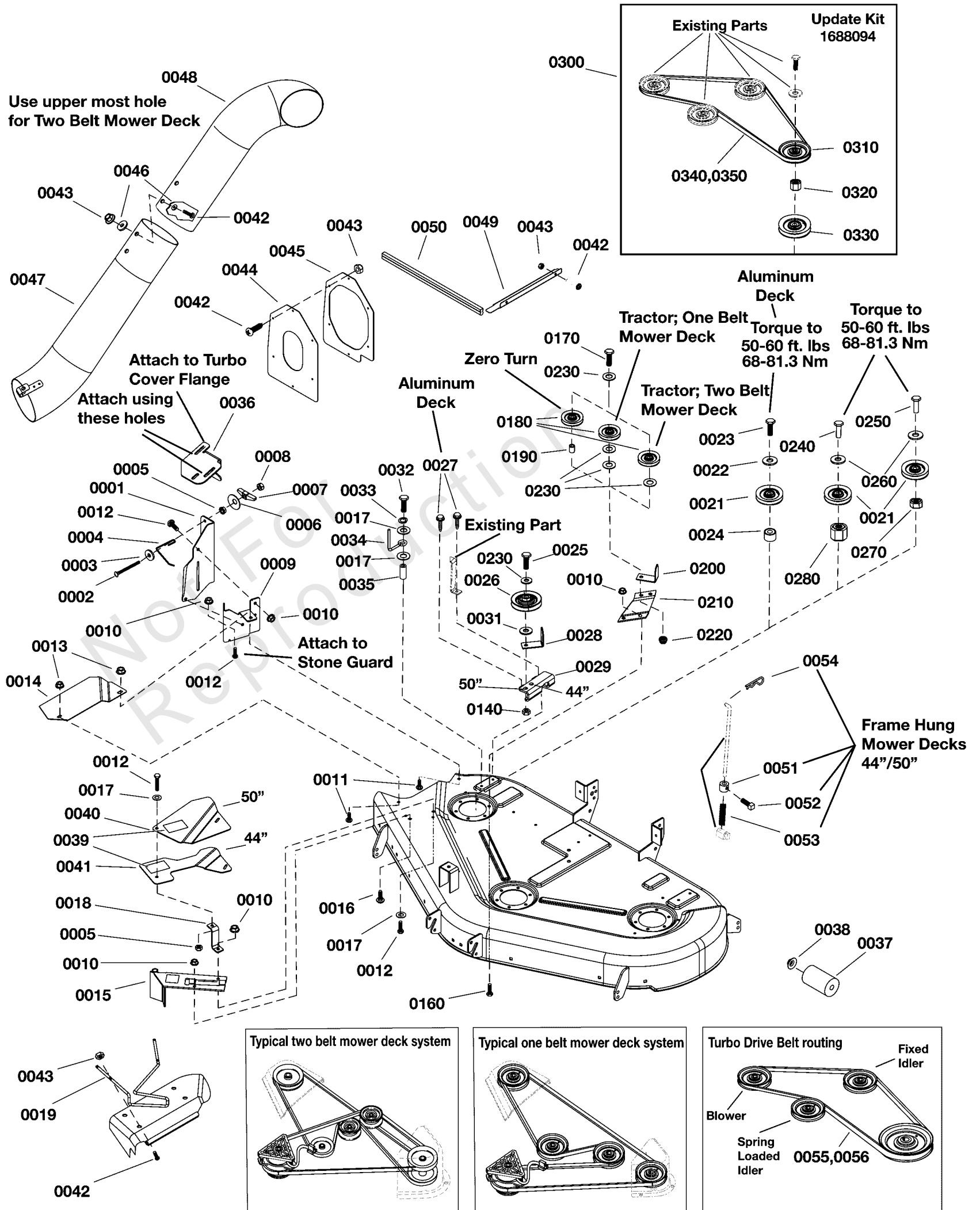
Turbo Mounting

REF NO	PART NO	QTY	DESCRIPTION
0001	1732619ASM	1	BAFFLE, Turbo
0002	1960318SM	1	CAPSCREW, Hex Head, 5/16-18 x 2-1/2 G5 Flat Black
0003	703298	1	WASHER, 5/16
0004	1705064SM	1	SPRING, Latch, .125WIRE 4.3LG Black
0005	1960636SM	2	NUT, Hex, 5/16-18
0006	1709256SM	1	WASHER, Spring, 5/16 x 1 1/4
0007	671294MA	1	WINGNUT, .5/16-18
0008	1501883701MA	1	NUT, Hex Nylock, 5/16-18
0009	1732592ASM	1	BRACKET, Baffle
0010	1931277SM	8	NUT, Hex Flange Whiz Lock Small, 5/16-18
0011	703576	2	BOLT, Carriage, 1/4-20 x 3/4, G5
0012	1923325SM	6	CAPSCREW, Hex Head, 5/16-18 x 7/8, G5
0013	1960685SM	2	NUT, Hex, KEPS, Conical, 1/4-20
0014	1732591ASM	1	COVER, Mower
0015	1722546ASM	1	PIVOT & BRACKETS ASSEMBLY, 38, 44 & 50"
0016	1931333SM	1	BOLT, Carriage, Short Neck, 5/16-18 x 3/4, GR 5
0017	1919326SM	4	WASHER, 5/16
0018	1718304ASM	1	SUPPORT, Belt Cover 10GA 1.0WD 3.0LG
0019	1718295SM	1	ROD
0021	1709941SM	1	PULLEY, 4-5/16" OD
0022	1656916SM	1	WASHER, SPRING 0.475I
0023	1927531SM	1	CAPSCREW-HEX HD 7/16-
0024	706362	1	SPACER, HUB
0025	703589	1	CAPSCREW, 3/8-16X2
0026	1721134SM	1	PULLEY, 3" OD
0027	704146	2	SCREW, HEX, 5/16-18X1
0028	1724373ASM	1	BRACKET, L 12GA 1.24WD 2.24LG 2.28LG
0029	1756261AYP	1	BRACKET, Idler Pulley
0031	704128	1	WASHER
0032	703906	1	CAPSCREW, 5/16-18X1.5
0033	703116	1	LCKWSHR
0034	2172845SM	1	STOP, Belt, .188WIRE 1.750,2.250 Black
0035	1710703SM	1	SPACER, 3/8 x 1/2 x 5/8
0036	1733077ASM	1	LATCH - 38" Turbo
0037	1713540SM	1	ROLLER, 2 1/2 OD
0038	1960520SM	1	NUT, Push, 5/8
0039	1717291SM	2	DECAL, WARNING Sheild & Mower Deflector
0040	1724376ASM	1	COVER, Belt, 50"
0041	1724374ASM	1	COVER, Belt, 44"
0042	1960404SM	13	SCREW, Truss Head, Phillips, #10-24 x 3/4,
0043	MT15X146MA	13	NUT, Nylock, #10-24
0044	1733741SM	1	SEAL, Cover
0045	1732735ASM	1	FLANGE, Seal
0046	1910531SM	2	WASHER, Rivet, 3/16
0047	1719719SM	1	ASSEMBLY, Tube & Clip, Lower
0048	1732800SM	1	ELBOW, Vacuum
0049	1733580ASM	1	PLATE, Deflector
0050	1733579SM	1	EDGING, 21-1/2"
0051	1719777SM	1	COLLAR, Set
0052	1928721SM	1	SETSCREW, Square Head, 5/16-18 x 1/2, G8
0053	1729277SM	1	SPRING, Composite, 3-5/8

Turbo Mounting

Note: Unless noted otherwise, use the standard torque specifications

Mfg. No: 2691454-03



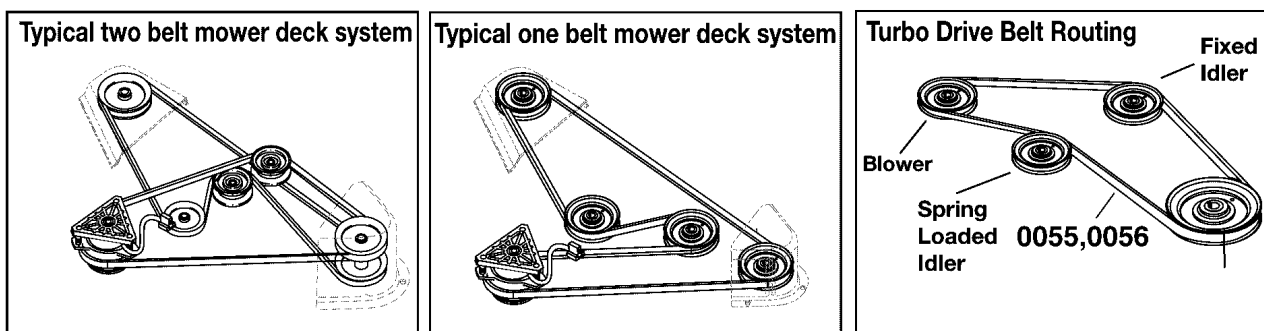
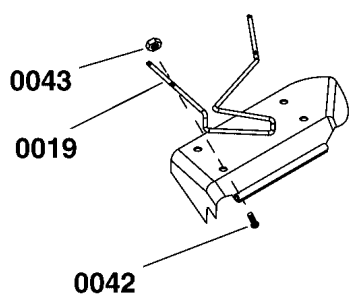
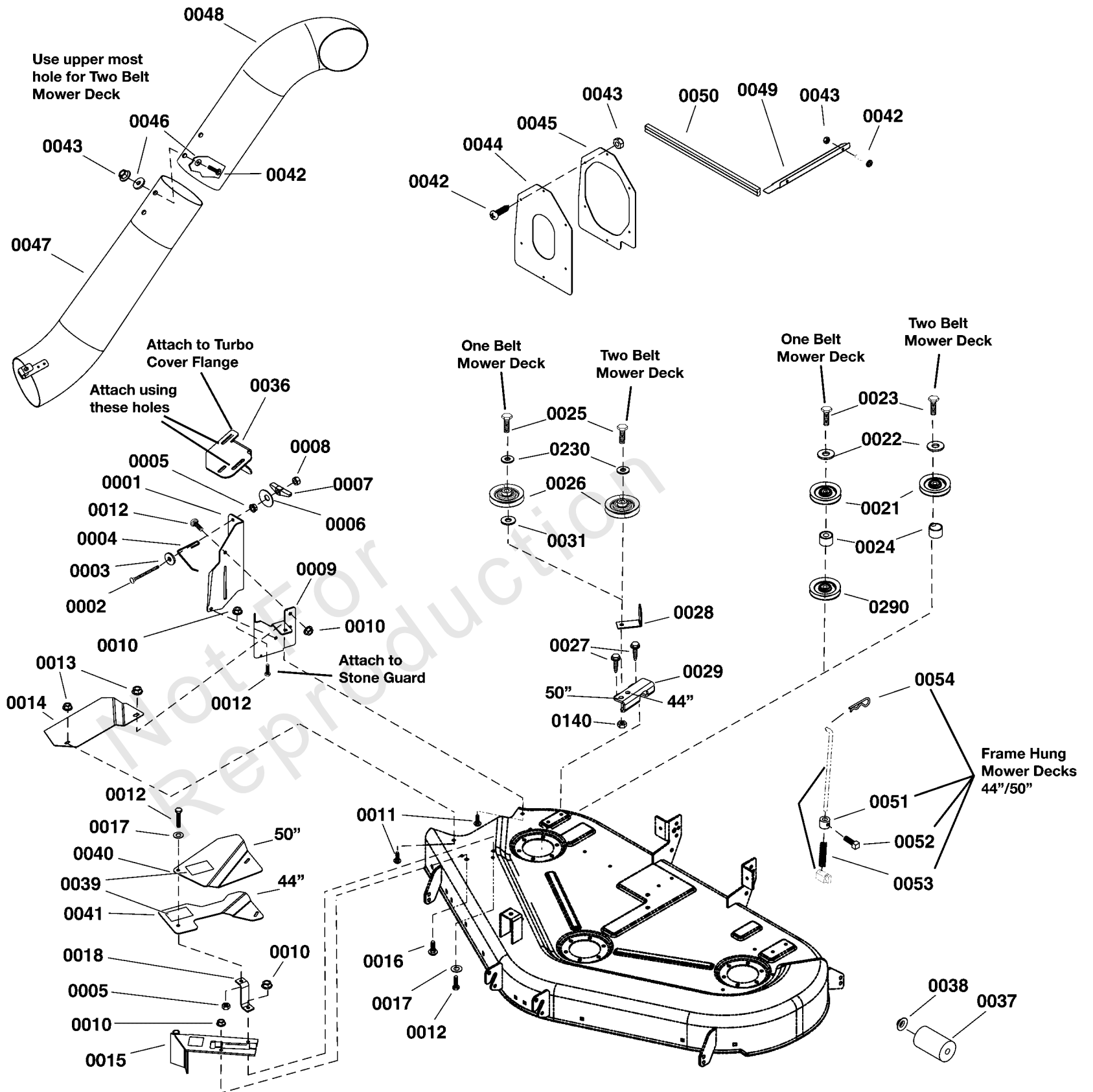
Turbo Mounting

REF NO	PART NO	QTY	DESCRIPTION
0054	703300	1	PIN, 3/32 X 1.6
0055	1736553YP	1	V-BELT, Cog, 37.90
0056	1736554YP	1	V-BELT, Cog, 39.62
0140	703347	1	NUT, 3/8-16
0160	703408	2	CAPSCREW, 5/16-18
0170	703589	1	CAPSCREW, 3/8-16X2
0180	1721134SM	1	PULLEY, 3" OD
0190	2108717SM	1	SPACER, 0.390ID x 0.625OD x .265LG
0200	1724373SM	1	L BRACKET
0210	1704768SM	1	Z BRACKET
0220	703333	1	NUT, 3/8-16
0230	703878	4	WASHER, FLAT
0240	1713523SM	1	NUT, Sleeve, 9/16-18 x 3/4INT x 1.34LG Black
0250	1733078SM	1	NUT, Sleeve, 9/16-18 x 1.21"
0260	1603592SM	1	WASHER, Bellville, 0.88ID x 1.75OD x .08TH Black
0270	1713623SM	1	HUB, .79 ID 1.50 OD .7 3 LG
0280	1713634SM	1	HUB-.79IDX1.5ODX1.28L
--	1687416YP	1	KIT, Belt & Pulley, 44" Mower Decks
--	1687417YP	1	KIT, Belt & Pulley, 50" Mower Decks
0300	1688094	1	KIT, Turbo Upfit -(Includes Ref Nos 0310 through 0350)
0310	1713090SM	1	PULLEY, 3 3/4
0320	706363	1	SPACER, HUB
0330	1755470YP	1	PULLEY, Deep Groove, 4 1/4
0340	84004741	1	V-BELT, Cog, 37.90 -(Use on 44" Mower Decks)
0350	84004742	1	V-BELT, Cog, 39.62 -(Use on 50" Mower Decks)

Turbo Mounting Group - Aluminum Arbors

Note: Unless noted otherwise, use the standard torque specifications

Mfg. No: 2691454-03



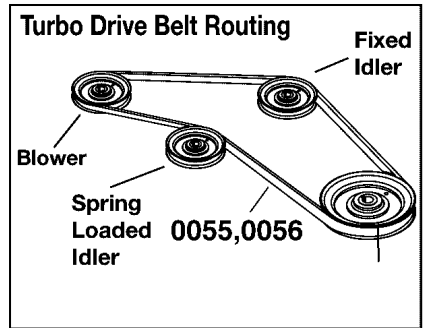
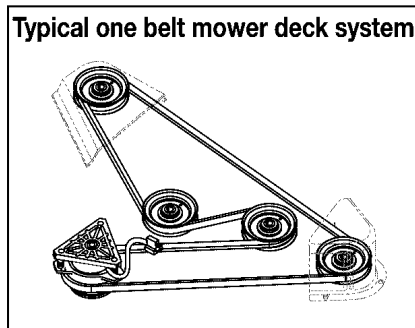
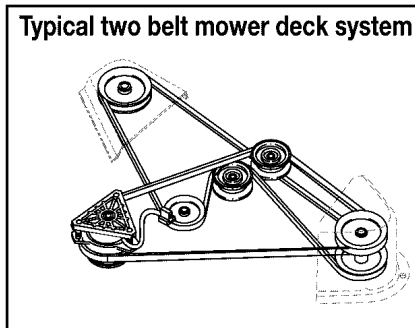
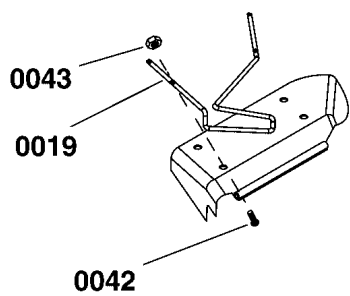
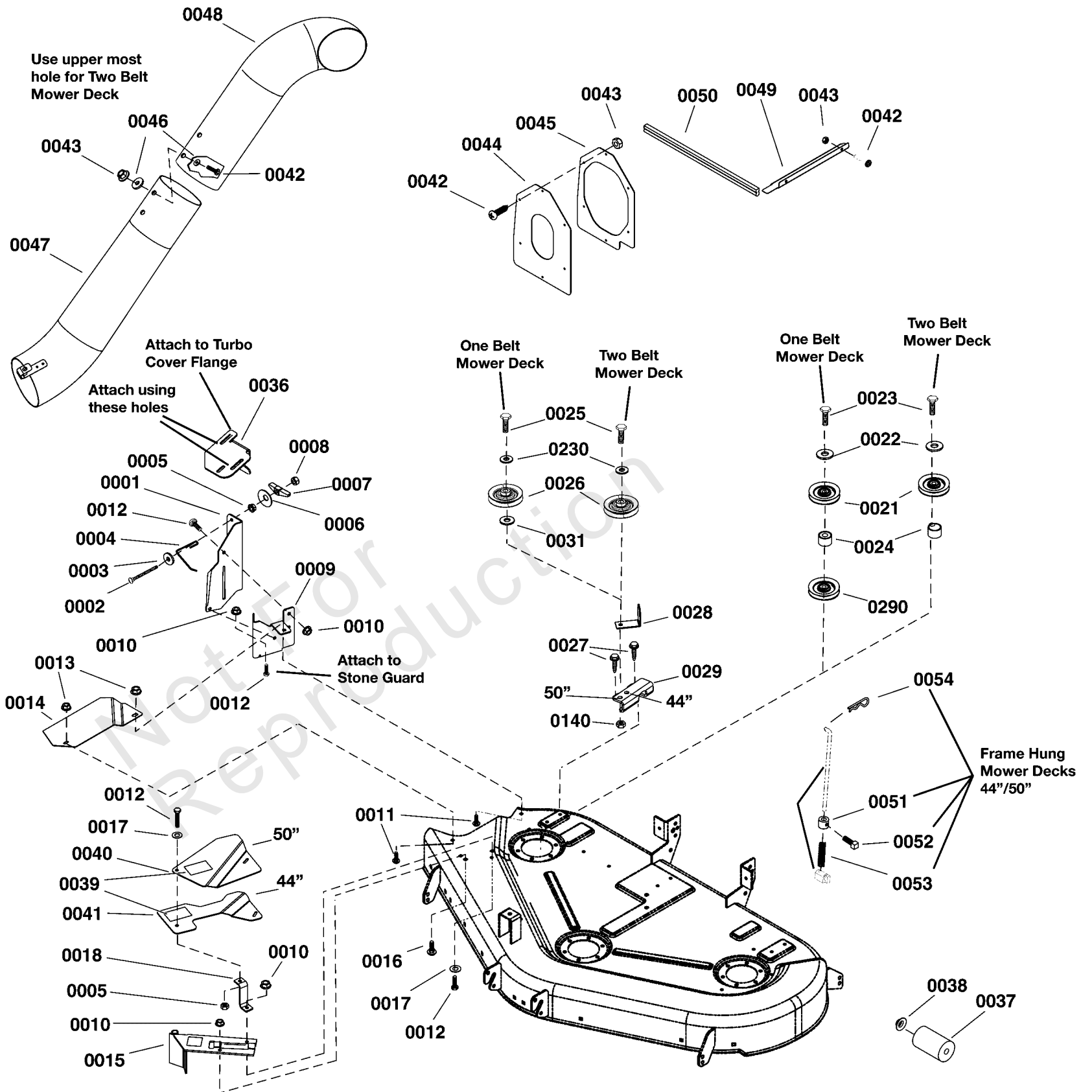
Turbo Mounting Group - Aluminum Arbors

REF NO	PART NO	QTY	DESCRIPTION
0001	1732619ASM	1	BAFFLE, Turbo
0002	1960318SM	1	CAPSCREW, Hex Head, 5/16-18 x 2-1/2 G5 Flat Black
0003	703298	1	WASHER, 5/16
0004	1705064SM	1	SPRING, Latch, .125WIRE 4.3LG Black
0005	1960636SM	2	NUT, Hex, 5/16-18
0006	1709256SM	1	WASHER, Spring, 5/16 x 1 1/4
0007	703065	1	WINGKNOB, 5/16-18
0008	703902	1	NUT, HEX, 5/16-18
0009	1732592ASM	1	BRACKET, Baffle
0010	703409	8	NUT, 5/16-18, GR5
0011	703576	2	BOLT, Carriage, 1/4-20 x 3/4, G5
0012	703408	8	CAPSCREW, 5/16-18
0013	703061	2	NUT, HEX KEPS, 1/4-20
0014	1732591ASM	1	COVER, Mower
0015	1722546ASM	1	PIVOT & BRACKETS ASSEMBLY, 38, 44 & 50"
0016	703185	1	BOLT, Round Head, Short Square Neck
0017	1919326SM	4	WASHER, 5/16
0018	1718304ASM	1	SUPPORT, Belt Cover 10GA 1.0WD 3.0LG
0019	1718295SM	1	ROD
0021	1713090SM	1	PULLEY, 3 3/4
0022	1656916SM	1	WASHER, SPRING 0.475I
0023	1927531SM	1	CAPSCREW-HEX HD 7/16-
0024	706363	1	SPACER, HUB
0025	703589	1	CAPSCREW, 3/8-16X2
0026	1721134SM	1	PULLEY, 3" OD
0027	704146	2	SCREW, HEX, 5/16-18X1
0028	1724373ASM	1	BRACKET, L 12GA 1.24WD 2.24LG 2.28LG
0029	1756261AYP	1	BRACKET, Idler Pulley
0031	704128	1	WASHER
0036	1733077ASM	1	LATCH - 38" Turbo
0037	1713540SM	1	ROLLER, 2 1/2 OD
0038	771009	1	PUSHNUT, 5/8
0039	5103184YP	2	DECAL, WARNING, ENG
0040	1724376ASM	1	COVER, Belt, 50"
0041	1724374ASM	1	COVER, Belt, 44"
0042	1960404SM	13	SCREW, Truss Head, Phillips, #10-24 x 3/4,
0043	703412	13	NUT, NYLOCK, 10-24
0044	1733741SM	1	SEAL, Cover
0045	1732735ASM	1	FLANGE, Seal
0046	1910531SM	2	WASHER, Rivet, 3/16
0047	1719719SM	1	ASSEMBLY, Tube & Clip, Lower
0048	1732800SM	1	ELBOW, Vacuum
0049	1733580ASM	1	PLATE, Deflector
0050	1733579SM	1	EDGING, 21-1/2"
0051	1719777SM	1	COLLAR, Set
0052	1928721SM	1	SETSCREW, Square Head, 5/16-18 x 1/2, G8
0053	1729277SM	1	SPRING, Composite, 3-5/8
0054	703300	1	PIN, 3/32 X 1.6
0055	84004741	1	V-BELT, Cog, 37.90 -(Use on 44" Mowers)
0056	84004742	1	V-BELT, Cog, 39.62 -(Use on 50" Mowers)

Turbo Mounting Group - Aluminum Arbors

Note: Unless noted otherwise, use the standard torque specifications

Mfg. No: 2691454-03



Turbo Mounting Group - Aluminum Arbors

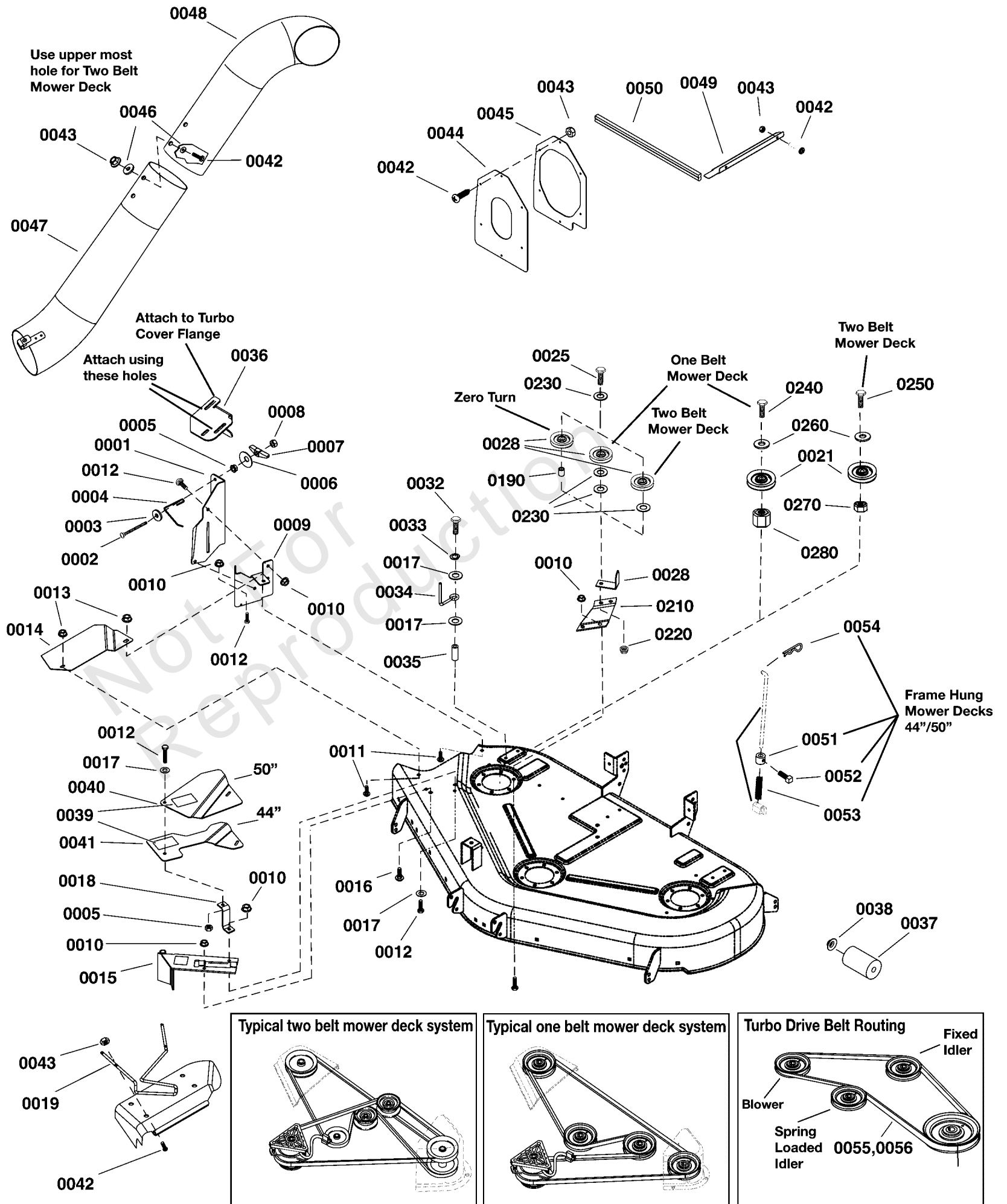
REF NO	PART NO	QTY	DESCRIPTION
0140	703347	1	NUT, 3/8-16
0230	703878	3	WASHER, FLAT
0290	1755470YP	1	PULLEY, Deep Groove, 4 1/4

Not For Reproduction

Turbo Mounting Group - Steel Arbors

Note: Unless noted otherwise, use the standard torque specifications

Mfg. No: 2691454-03



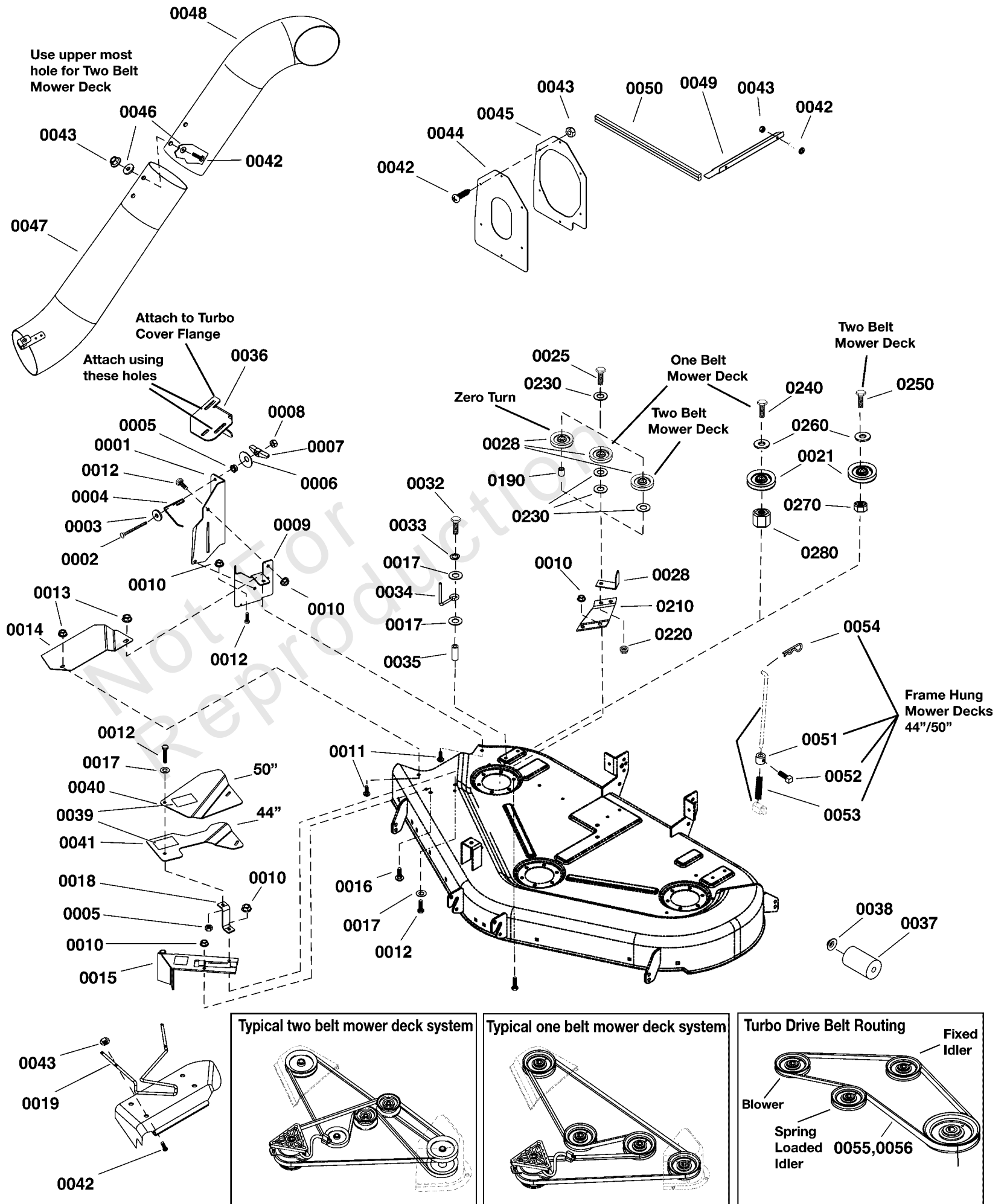
Turbo Mounting Group - Steel Arbors

REF NO	PART NO	QTY	DESCRIPTION
0001	1732619ASM	1	BAFFLE, Turbo
0002	1960318SM	1	CAPSCREW, Hex Head, 5/16-18 x 2-1/2 G5 Flat Black
0003	703298	1	WASHER, 5/16
0004	1705064SM	1	SPRING, Latch, .125WIRE 4.3LG Black
0005	1960636SM	2	NUT, Hex, 5/16-18
0006	1709256SM	1	WASHER, Spring, 5/16 x 1 1/4
0007	703065	1	WINGKNOB, 5/16-18
0008	703902	1	NUT, HEX, 5/16-18
0009	1732592ASM	1	BRACKET, Baffle
0010	703409	8	NUT, 5/16-18, GR5
0011	703576	2	BOLT, Carriage, 1/4-20 x 3/4, G5
0012	703408	8	CAPSCREW, 5/16-18
0013	703061	2	NUT, HEX KEPS, 1/4-20
0014	1732591ASM	1	COVER, Mower
0015	1722546ASM	1	PIVOT & BRACKETS ASSEMBLY, 38, 44 & 50"
0016	703185	1	BOLT, Round Head, Short Square Neck
0017	1919326SM	4	WASHER, 5/16
0018	1718304ASM	1	SUPPORT, Belt Cover 10GA 1.0WD 3.0LG
0019	1718295SM	1	ROD
0021	1713090SM	1	PULLEY, 3 3/4
0025	703589	1	CAPSCREW, 3/8-16X2
0028	1724373ASM	1	BRACKET, L 12GA 1.24WD 2.24LG 2.28LG
0032	703906	1	CAPSCREW, 5/16-18X1.5
0033	703116	1	LCKWSHR
0034	2172845SM	1	STOP, Belt, .188WIRE 1.750,2.250 Black
0035	1710703SM	1	SPACER, 3/8 x 1/2 x 5/8
0036	1733077ASM	1	LATCH - 38" Turbo
0037	1713540SM	1	ROLLER, 2 1/2 OD
0038	771009	1	PUSHNUT, 5/8
0039	5103184YP	2	DECAL, WARNING, ENG
0040	1724376ASM	1	COVER, Belt, 50"
0041	1724374ASM	1	COVER, Belt, 44"
0042	1960404SM	13	SCREW, Truss Head, Phillips, #10-24 x 3/4,
0043	703412	13	NUT, NYLOCK, 10-24
0044	1733741SM	1	SEAL, Cover
0045	1732735ASM	1	FLANGE, Seal
0046	1910531SM	2	WASHER, Rivet, 3/16
0047	1719719SM	1	ASSEMBLY, Tube & Clip, Lower
0048	1732800SM	1	ELBOW, Vacuum
0049	1733580ASM	1	PLATE, Deflector
0050	1733579SM	1	EDGING, 21-1/2"
0051	1719777SM	1	COLLAR, Set
0052	1928721SM	1	SETSCREW, Square Head, 5/16-18 x 1/2, G8
0053	1729277SM	1	SPRING, Composite, 3-5/8
0054	703300	1	PIN, 3/32 X 1.6
0055	84004741	1	V-BELT, Cog, 37.90
0056	84004742	1	V-BELT, Cog, 39.62
0190	2108717SM	1	SPACER, 0.390ID x 0.625OD x .265LG
0210	1704768ASM	1	BRACKET, Z .164TH 5.88WD 3.21LG
0220	703333	1	NUT, 3/8-16
0230	703878	3	WASHER, FLAT

Turbo Mounting Group - Steel Arbors

Note: Unless noted otherwise, use the standard torque specifications

Mfg. No: 2691454-03



Turbo Mounting Group - Steel Arbors

REF NO	PART NO	QTY	DESCRIPTION
0240	1713523SM	1	NUT, Sleeve, 9/16-18 x 3/4INT x 1.34LG Black
0250	1733078SM	1	NUT, Sleeve, 9/16-18 x 1.21"
0260	1603592SM	1	WASHER, Bellville, 0.88ID x 1.75OD x .08TH Black
0270	1713623SM	1	HUB, .79 ID 1.50 OD .7 3 LG
0280	1713634SM	1	HUB-.79IDX1.5ODX1.28L

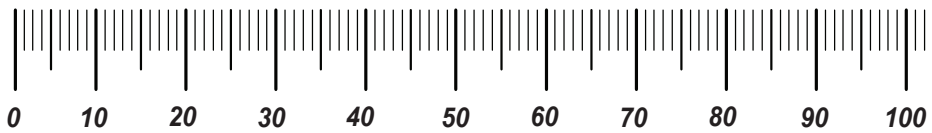
Not For Reproduction

Hardware Identification & Torque Specifications

Torque Specification Chart								
FOR STANDARD METRIC MACHINE HARDWARE (Tolerance ± 20%)								
Property Class	5.6		8.8		10.9		12.9	
	Class 5.6		Class 8.8		Class 10.9		Class 12.9	
Size Of Hardware	in/lbs	Nm.	in/lbs	Nm.	in/lbs	Nm.	in/lbs	Nm.
	ft/lbs		ft/lbs		ft/lbs		ft/lbs	
M3	5.88	.56	13.44	1.28	19.2	1.80	22.92	2.15
M4	13.44	1.28	30.72	2.90	43.44	4.10	52.56	4.95
M5	26.4	2.50	60.96	5.75	5.97	8.10	7.15	9.7
M6	44.64	4.3	7.3	9.9	10.3	14	12.1	16.5
M7	5.2	7.1	12.1	16.5	16.9	23	19.9	27
M8	7.7	10.5	17.7	24	25	34	29	40
M10	15	21	35	48	50	67	59	81
M12	26	36	61	83	86.2	117	103	140
M14	42	58	101	132	136	185	162	220
M16	64	88	147	200	210	285	250	340
M18	89	121	202	275	287	390	346	470
M20	126	171	290	390	405	550	486	660
M22	169	230	390	530	559	745	656	890
M24	217	295	497	375	708	960	840	1140
M27	320	435	733	995	1032	1400	1239	1680
M30	435	590	995	1350	1401	1900	1681	2280
M33	590	800	1349	1830	1902	2580	2278	3090
M36	759	1030	1740	2360	2441	3310	2935	3980
M39	988	1340	2249	3050	3163	4290	3798	5150

Torque Specification Chart						
FOR STANDARD MACHINE HARDWARE (Tolerance ± 20%)						
Hardware Grade	No Marks		SAE Grade 5		SAE Grade 8	
	SAE Grade 2		SAE Grade 5		SAE Grade 8	
Size Of Hardware	in/lbs	Nm.	in/lbs	Nm.	in/lbs	Nm.
	ft/lbs		ft/lbs		ft/lbs	
8-32	19	2.1	30	3.4	41	4.6
8-36	20	2.3	31	3.5	43	4.9
10-24	27	3.1	43	4.9	60	6.8
10-32	31	3.5	49	5.5	68	7.7
1/4-20	66	7.6	8	10.9	12	16.3
1/4-28	76	8.6	10	13.6	14	19.0
5/16-18	11	15.0	17	23.1	25	34.0
5/16-24	12	16.3	19	25.8	29	34.0
3/8-16	20	27.2	30	40.8	45	61.2
3/8-24	23	31.3	35	47.6	50	68.0
7/16-14	30	40.8	50	68.0	70	95.2
7/16-20	35	47.6	55	74.8	80	108.8
1/2-13	50	68.0	75	102.0	110	149.6
1/2-20	55	74.8	90	122.4	120	163.2
9/16-12	65	88.4	110	149.6	150	204.0
9/16-18	75	102.0	120	163.2	170	231.2
5/8-11	90	122.4	150	204.0	220	299.2
5/8-18	100	136	180	244.8	240	326.4
3/4-10	160	217.6	260	353.6	386	525.0
3/4-16	180	244.8	300	408.0	420	571.2
7/8-9	140	190.4	400	544.0	600	816.0
7/8-14	155	210.8	440	598.4	660	897.6
1-8	220	299.2	580	788.8	900	1,244.0
1-12	240	326.4	640	870.4	1,000	1,360.0

The guides and ruler furnished below are designed to help you select the appropriate hardware.

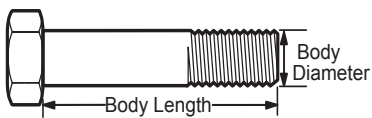


Nut, M8

Thread Diameter (mm)

Inside Diameter (in) Threads per inch

Nut, 1/2-16



Screw, M8- 1.25 x 25

Thread Diameter (mm) Distance between threads (mm) Body Length (mm)

Body Diameter Threads per inch Body Length (in)

Screw, 1/2- 16 x 2



Standard Hardware Sizing

When a washer or nut is identified as 1/2" (M8), this is the *Nominal size*, meaning the *inside diameter* is 1/2 inch (8mm metric thread diameter); if a second number is present it represents the *threads per inch* (distance between threads).

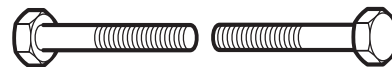
When bolt or capscrew is identified as 1/2 - 16 x 2" (M8 - 1.25 x 50), this means the *Nominal size*, or body diameter is 1/2 inch (8mm metric thread diameter), the second number, 16, represents the *threads per inch*, (*distance between threads*). The final number is the body length of the bolt or screw, 2 inches (50mm).

NOTES

- These torque values are to be used for all hardware excluding: locknuts, self-tapping screws, thread forming screws, sheet metal screws and socket head setscrews.
- Recommended seating torque values for locknuts:
 - for prevailing torque locknuts - use 65% of grade 5 torques.
 - for flange whizlock nuts and screws - use 135% of grade 5 torques.
- Unless otherwise noted on assembly drawings, all torque values must meet this specification.

Common Hardware Types

Hex Head Capscrew



Washer



Carriage Bolt



Hex Nut

Wrench & Fastener Size Guide

1/4" Bolt or Nut Wrench—7/16"	5/16" Bolt or Nut Wrench—1/2"	3/8" Bolt or Nut Wrench—9/16"	7/16" Bolt or Nut Wrench (Bolt)—5/8" Wrench (Nut)—11/16"	1/2" Bolt or Nut Wrench—3/4"
M6 Bolt or Nut Wrench—10mm	M8 Bolt or Nut Wrench—13mm	M10 Bolt or Nut Wrench—17mm	M12 Bolt or Nut Wrench—19mm	M14 Bolt or Nut Wrench—22mm

