

Art's Way

Since 1956



Art's-Way Manufacturing Co., Inc.

Model 6812D
Sugar Beet Harvester

Illustrated Parts List
612500

Issued August 2015



This symbol means ATTENTION! BECOME ALERT! YOUR SAFETY IS INVOLVED. The message that follows the symbol contains important information about your safety. Carefully read the message. Make sure you fully understand the causes of possible injury or death.

IF THIS MACHINE IS USED BY AN EMPLOYEE, IS LOANED, OR IS RENTED, MAKE SURE THAT THE OPERATOR UNDERSTANDS THE TWO INSTRUCTIONS BELOW.

BEFORE THE OPERATOR STARTS THE ENGINE:

GIVE INSTRUCTIONS TO THE OPERATOR ON SAFE AND CORRECT USE OF THE MACHINE.

MAKE SURE THE OPERATOR READS AND UNDERSTANDS THE OPERATOR'S MANUAL FOR THIS MACHINE.

 **WARNING**

IMPROPER OPERATION OF THIS MACHINE CAN CAUSE INJURY OR DEATH.

BEFORE STARTING THE ENGINE, DO THE FOLLOWING:

1. READ THE OPERATOR'S MANUAL.
2. READ ALL SAFETY DECALS ON THE MACHINE.
3. CLEAR THE AREA OF OTHER PERSONS.
4. LEARN AND PRACTICE SAFE USE OF MACHINE CONTROLS IN A SAFE AND CLEAR AREA BEFORE YOU OPERATE THIS MACHINE ON A JOB SITE.

It is your responsibility to observe pertinent laws and regulations and to follow manufacturer's instructions on machine operation and maintenance.

See your Authorized Art's-Way Manufacturing Co., Inc. dealer or Art's-Way Manufacturing Co., Inc. for additional operator's manuals, illustrated parts catalogs, and service manuals.

TO THE OWNER

Congratulations on the purchase of your new Art's-Way Sugar Beet Harvester. You have selected a top quality machine that is designed and built with pride to ensure you have many years of efficient and reliable service.

Many people have worked on the design, production, and delivery of this Sugar Beet Harvester. The information in this manual is based on the knowledge, study, and experience through years of specializing in the manufacturing of farm machinery. This manual is designed to provide you with important information regarding safety, maintenance, and machine operation so you can and will get the best possible performance from your Sugar Beet Harvester.

Even if you are an experienced operator of this or similar equipment, we ask that you read this manual before operating this Sugar Beet Harvester. The way you operate, adjust, and maintain this unit will have much to do with its successful performance. Any further questions you may have about this product of Art's-Way equipment should be directed to your local Art's-Way dealer or to Art's-Way Manufacturing Co., Inc., Armstrong, Iowa, 50514, (712) 864-3131.

SPECIFICATIONS AND DESIGN ARE SUBJECT TO CHANGE WITHOUT NOTICE

Art's-Way Manufacturing Co., Inc. is continually making product improvements. In doing so, we reserve the right to make changes and/or add improvements to our products without obligation for the equipment previously sold.

Modifications to this Sugar Beet Harvester may affect the performance, function, and safety of its operation. Therefore, no modifications are to be made without the written permission of Art's-Way Manufacturing Co., Inc. Any modification made without the written permission of Art's-Way Manufacturing Co., Inc. shall void the warranty of this product.

In the interest of continued safe operation of this Sugar Beet Harvester, pay particular attention to the safety alert symbol(s) throughout this manual.

Art's-Way Manufacturing Co., Inc. STATEMENT OF PRODUCT LIABILITY

Art's-Way Manufacturing Co., Inc. recognizes its responsibility to provide customers with a safe and efficient product. Art's-Way Manufacturing Co., Inc., attempts to design and manufacture its products in accordance with all accepted engineering practices effective at the date of design. This statement should not be interpreted to mean that our products will protect against the user's own carelessness or failure to follow common safety practices nor will Art's-Way Manufacturing Co., Inc., be liable for any such act. In addition, Art's-Way Manufacturing Co., Inc., assumes no liability for any altered product or any modified product by users or anyone other than an authorized dealer.

IMPORTANT WARRANTY INFORMATION

The warranty for this Sugar Beet Harvester appears on page 6 of this manual. In order to establish proper warranty registration, the Warranty Registration must be completed and returned to the factory. Failure to comply with this requirement will result in invalidating the warranty!

LIMITATIONS OF THIS MANUAL

This manual contains operating instructions for your 6812D Sugar Beet Harvester only. Any mention of other machinery in this manual other than the 6812D Sugar Beet Harvester is for reference only. This manual does not replace nor is it to be used for any machinery that may be attached to or used in conjunction with the 6812D Sugar Beet Harvester.

PARTS & SERVICE

As the purchaser of your new harvester, it is very important to consider the following factors:

A. Original Quality

B. Availability of Service Parts

C. Availability of Adequate Service Facilities

Art's-Way Manufacturing Co., Inc. has an excellent dealership network ready to answer any questions you may have about your harvester. Parts for your machine may be ordered through our dealers. When placing a parts order, please have the **model** and **serial number** ready. This will allow the dealer to fill your order as quickly as possible.

For your convenience, we have provided this space for you to record your model number, serial number, and the date of purchase, as well as your dealer's name and address.



Location of Serial & Model Number Placard on Header



Serial and Model Number Placard

TABLE OF CONTENTS

TO THE OWNER	1
SPECIFICATIONS AND DESIGN ARE SUBJECT TO CHANGE WITHOUT NOTICE	1
Art's-Way Manufacturing Co., Inc. STATEMENT OF PRODUCT LIABILITY	1
IMPORTANT WARRANTY INFORMATION	1
LIMITATIONS OF THIS MANUAL	1
PARTS & SERVICE	2
TABLE OF CONTENTS	3-5
LIMITED WARRANTY	6
SAFETY FIRST	7
NOTICES OF DANGER, WARNING, AND CAUTION	7
SAFETY INSTRUCTIONS	8
GENERAL	8
BEFORE OPERATING	9
DURING OPERATION	9
MAINTENANCE SAFETY	9
HYDRAULIC SAFETY	10
TRANSPORTATION SAFETY	10
STORAGE SAFETY	10
TIRE SAFETY	11
ASSEMBLY SAFETY	11

TABLE OF CONTENTS	
<u>NAME</u>	<u>PAGE</u>
HITCH ASSEMBLY	14
POWER TAKE OFF (PTO) DRIVE ASSEMBLY, (1-3/4-20 TRACTOR SPLINE) 2008 & LATER	16
ROWFINDER & SUPPORTS ASSEMBLY	18
ROWFINDER ASSEMBLY	20
ROWFINDER ASSEMBLY, KIT FOR 28 & 30 INCH ROW SPACING	22
ROWFINDER ASSEMBLY, KIT FOR 28 & 30 INCH ROW SPACING, (CONTINUED)	24
GEARBOX, 1:1.857, 4 SHAFT, 520400	26
GEARBOX, PUMP DRIVE, 562050	28
GEARBOX, 1:1 REVERSE, WIDE HEADS,	29
DRAPER CHAIN	30
DRIVE SHAFT ASSEMBLY	32
GRABROLL DRIVES - REAR BEARINGS ASSEMBLY	34
GRABROLL DRIVES - REAR IDLER ARM ASSEMBLY	36
GRABROLL DRIVES - REAR SUPPORTS ASSEMBLY	38
GRABROLL DRIVES - FRONT BEARINGS ASSEMBLY	40
GRABROLL DRIVES - FRONT PULLEY ASSEMBLY	42
GRABROLL DRIVES - COVERS ASSEMBLY	44
ROLLER SUB ASSEMBLY, 607000	46
GUARDING & DOORS ASSEMBLY	48
GUARDING & DOORS - PIN SHIELD ASSEMBLY, LONG	50
GUARDING & DOORS - PIN SHIELD ASSEMBLY, SHORT	51
GUARDING & DOORS - DOORS ASSEMBLY	52
SHORT CONVEYOR ASSEMBLY 1	54
SHORT CONVEYOR ASSEMBLY 2	56
SHORT CONVEYOR - MOTOR MOUNT ASSEMBLY, 599880	58
SHORT CONVEYOR - BEARING MOUNT ASSEMBLY, 599890	59
SHORT CONVEYOR - ROLLER ASSEMBLY, 606150	60
SHORT CONVEYOR - MULTI-ROLLER ASSEMBLY, 599900	61
BEET & HYDRAULIC TANK ASSEMBLY	62
BOOM ASSEMBLY	64
VALVE ASSEMBLY, DUAL RELIEF	66
VALVE ASSEMBLY, CONTROL MANIFOLD	67
BOOM EXTENSION ASSEMBLY - (OPTIONAL)	68
CONVEYOR ASSEMBLY, BOOM	70
TANK ASSEMBLY	72
TRANSFER CONVEYOR ASSEMBLY	74
CONVEYOR - UPPER TRANSFER ASSEMBLY 1 [ROLLERS], 527170	76
CONVEYOR - UPPER TRANSFER ASSEMBLY 2 [GRATES], 527170	78
FERRIS WHEEL ASSEMBLY	80
FERRIS WHEEL - REAR TOWER ASSEMBLY	82
FERRIS WHEEL - REAR TOWER - SUPPORT UPPER ASSEMBLY, 596640	84
FERRIS WHEEL - WHEEL DRIVE MOTOR ASSEMBLY, 601840	86
FERRIS WHEEL - ROLLER ASSEMBLY, LOWER, 596620	88
FERRIS WHEEL - RETAINER ASSEMBLY	90

TABLE OF CONTENTS	
RETAINER ASSEMBLY, 594000	92
SIDE RETAINER ASSEMBLY	94
FERRIS WHEEL - STRIPPER ASSEMBLY	96
SELF CONTAINED HYDRAULIC CIRCUITS	98
TRACTOR HYDRAULICS	100
CARRIER WHEEL ASSEMBLY, RH	102
HUB/SPINDLE SUB ASSEMBLY, 525000	104
HUB ASSEMBLY, 522060	106
LIGHT HARNESS	108
SAFETY LIGHTS ASSEMBLY	109
MAIN FRAME, DECALS	110
ROLLER GROUPING - GRABROLL - MOUNTING STEEL ROLLS ASSEMBLY, (ALL HEADS)	114
ROLLER GROUPING - STEEL GRABROLL ASSEMBLY, (8R28/30, 12R22)	116
ROLLER GROUPING - POLY GRABROLL ASSEMBLY, (12R22)	118
ROLLER GROUPING - SMOOTH ROLL ASSEMBLY, (8R28/30, 12R22)	120
ROLLER GROUPING - STAR ROLL ASSEMBLY, (12R22)	122
ROLLER GROUPING - GRABROLL - MOUNTING POLY ROLLS ASSEMBLY, (ALL HEADS)	124
ROLLER GROUPING - CONVEYOR ROLLER DRIVES ASSEMBLY, (8R28/30, 12R22)	126
GRABROLL ASSEMBLY, OPTION, (8R30, 12R22), POLY	128
GRABROLL ASSEMBLY, OPTION, (8R30, 12R22), STEEL	130
DIVERTER ROLL GROUPING ASSEMBLY, (ALL HEADS)	132
BELT ROUTING	134
HEADER BEARINGS	135
PADDLE SHAFT & CHAIN DRIVES ASSEMBLY, (8R28/30, 12R22)	136
PADDLE SHAFT & CHAIN DRIVES - PADDLE SHAFT & STAND ASSEMBLY, (ALL HEADS)	138
PADDLE SHAFT & CHAIN DRIVES - DOOR, SHIELD, & GRATE ASSEMBLY, (ALL HEADS EXCEPT LH 8R22-6R28/30)	140
PADDLE SHAFT AND CHAIN DRIVES - PADDLE SHAFT CLUTCH ASSEMBLY	142
HEAD TO BASIC UNIT MOUNTING ASSEMBLY	146
FRONT CARRIER WHEELS ASSEMBLY, MOUNTING PACKAGE	147
CARRIER WHEEL ASSEMBLY	148
LIFTER GROUPING - STRUT ASSEMBLY	150
LIFTER GROUPING - FIXED STRUT ASSEMBLY	152
LIFTER GROUPING - FLEX STRUT ASSEMBLY	154
PADDLES & STRUT INSTALL ASSEMBLY, (ALL HEADS)	156
RUBBER COVERS & BARRIERS ASSEMBLY, (ALL HEADS)	158
RUBBER COVERS & BARRIERS - BARRIER ASSEMBLY, (ALL HEADS)	160
HEADER DECALS	162
CONVEYOR ROLL & SMOOTH ROLL ASSEMBLY, (8R22-6R28/30)	166
ROLLER GROUPING - STAR ROLL ASSEMBLY, (6R28/30, 8R22)	167
ROLLER GROUPING - STAR ROLL ASSEMBLY, (8R30)	168
ROLLER GROUPING - DRIVE SHAFT ASSEMBLY, (8R22-6R28/30)	170
GRABROLL - REAR GRABROLL ASSEMBLY, LH, (8R22-6R28/30)	172
PADDLE SHAFT & CHAIN DRIVES ASSEMBLY, (8R22-6R28/30)	174
PADDLE SHAFT & CHAIN DRIVES - DOOR & SHIELD ASSEMBLY, LH, (8R22-6R28/30)	176

LIMITED WARRANTY

Refer to the operator's manual for warranty information.

SAFETY FIRST

SAFETY INSTRUCTIONS

“A careful operator is the best insurance against an accident.” Quote from the National Safety Council.

Most accidents can be prevented if the operator:

1. Fully understands how the machine functions.
2. Can anticipate situations which may produce problems.
3. Can make necessary corrections before problems develop.

**THIS SYMBOL MEANS ATTENTION!
BECOME ALERT!
YOUR SAFETY IS INVOLVED!**



- Universal Safety Alert Symbol

The American Society of Agricultural Engineers has adopted the Universal Safety Alert Symbol as a way to identify areas of potential danger if the equipment is not operated correctly. Please be alert whenever you see this symbol in the manuals or on your harvester.

Art's-Way Manufacturing Co., Inc. strives to make our equipment as safe as possible. The Art's-Way 6812D Sugar Beet Harvester conforms to applicable safety standards at the time of manufacturing. A safety conscious equipment operator makes an effective accident-prevention program complete.

Safety features and instructions for the harvester are detailed in the Safety Guidelines section of this Operator's Manual. It is the responsibility of the owner to ensure that all operators read and understand the manual before they are allowed to operate the beet harvester. (Occupational Safety and Health Administration (OSHA) regulations 1928.57).

NOTICES OF DANGER, WARNING, AND CAUTION

Signal Words: Note the use of signal words **DANGER**, **WARNING**, and **CAUTION** on the harvester and in this manual. The appropriate signal word for each has been selected using the following guidelines:

⚠ DANGER

Indicates a hazardous situation which, if not avoided, will result in death or serious injury.

⚠ WARNING

Indicates a hazardous situation which, if not avoided, could result in death or serious injury.

⚠ CAUTION

Indicates a potentially hazardous situation which, if not avoided, could result in minor or moderate injury.

NOTICE

NOTICE is used to address practices not related to physical injury.

SAFETY INSTRUCTIONS

Safety instructions (or equivalent) signs indicate specific safety-related instructions or procedures.

Note: Contains additional information important to a procedure and will be found within the regular text body of this manual.

GENERAL

SAFETY INSTRUCTIONS

Most work related accidents are caused by failure to observe basic safety rules or precautions. An accident can often be avoided by recognizing potentially hazardous situations before an accident occurs. As you operate and maintain the beet harvester you must be alert to potential hazards. You should also have the necessary training, skills, and tools to perform any assembly procedure.

Improper operation and/or maintenance of this unit could cause a dangerous situation that results in injury or death.

Do not use this unit until you read and understand the information contained in this manual. Do not use this equipment for anything other than its intended purpose.



Safety precautions and warnings are provided in this manual and on the unit. If these hazard warnings are not heeded, bodily injury or death could occur to you or to other persons.

Art's-Way Manufacturing Co., Inc. cannot anticipate every possible circumstance that might involve a potential hazard. The warnings in this manual and on the product are, therefore, not all-inclusive. If a method of operation not specifically recommended by us is used, you must satisfy yourself that it is safe for you and for others. You should also ensure that the unit will not be damaged or be made unsafe by the methods that you choose.

The information, specifications, and illustrations in this manual are based on the information that was available at the time this material was written and can change at any time.

Safety Alert Symbols



death.

This is the safety alert symbol. It is used to alert you to potential personal injury hazards. Obey all safety messages that follow this symbol to avoid possible injury or

This manual contains DANGERS, WARNINGS, CAUTIONS, NOTICES, SAFETY INSTRUCTIONS, and NOTES which must be followed to prevent the possibility of improper service, damage to the equipment, personal injury, or death. The following key words call the readers attention to potential hazards.

Hazards are identified by the "Safety Alert Symbol" and followed by a signal word such as "DANGER", "WARNING", or "CAUTION".

**SAFETY
INSTRUCTIONS**

**Remember:
"The Best Operator is a Safe Operator"**

CAUTION



Read and understand the operator's manual and all the safety decals before operating the harvester. Review all safety instructions with all operators annually.

BEFORE OPERATING

SAFETY
INSTRUCTIONS

Do not wear loose fitting clothing as it may catch in moving parts.



Make sure all guards and shields are installed, including the tractor power take-off (PTO) master shield, before starting or operating the harvester.



Be sure that the correct implement driveline parts are used and that they are properly secured.

Lower the lifter wheels when the harvester is not in use.

Install safety chain when attaching the harvester to the tractor.



Clear the area of bystanders, especially children, when making repairs, adjustments, or performing maintenance on the harvester.



Do not allow riders.

Put all tractor and machine controls in “neutral” and disengage the PTO before starting. Follow the starting instructions according to the OEM tractor manual.



Operate the harvester only while seated on the tractor seat.



Make sure the unit is adequately supported with safety blocks or safety stands when changing tires or performing maintenance.

DURING OPERATION

CAUTION



Entanglement Hazard
Keep hands, feet, hair, and clothing away from moving parts. Wait for all movement to stop before approaching equipment.

Before making adjustments:

1. Shut off the tractor,
2. Set parking brake,
3. Put machine in neutral, and
4. Remove key while making adjustments.



Keep all shields and guards in place and in good working condition.



Keep all bystanders, especially children, away from the harvester while in operation.



Do not allow riders while the harvester is in operation.



Do not attempt to unclog, clean, or adjust the harvester while it is running.



Stay away from overhead power lines. Electrocutation can occur even without direct contact.



Keep all hydraulic lines, fittings, and couplers tight and free of leaks. (Refer to Safety Guidelines – Hydraulic Safety).



Use caution when ascending or descending on the harvester. Wet shoes or boots are slippery.

MAINTENANCE SAFETY

SAFETY
INSTRUCTIONS

Follow all operating, maintenance, and safety instructions found in this Manual.



Before servicing, adjusting, repairing, or unclogging the machine, always make sure the tractor engine is stopped, key in your pocket, the machine is lowered to the ground, all controls are placed in neutral, the parking brake is set, and all the moving parts have stopped.



Use sufficient tools, jacks, and hoists that have the capacity for the job.



Use support blocks or safety stands when changing tires or performing maintenance.



Follow good shop practices of keeping the service area clean and dry, and use adequate light for the job at hand.



Before applying pressure to the hydraulic system, make sure all lines, fittings, and couplers are tightly secured and in good condition.



Make sure all shields/guards are in place and properly secured when performing maintenance.

HYDRAULIC SAFETY

SAFETY INSTRUCTIONS

Follow all operating, maintenance, and safety instructions found in this Manual.

Make sure components in the hydraulic system are kept clean and in good working condition.



Relieve pressure from the hydraulic system before servicing or disconnecting from the tractor.



Keep all hydraulic lines, fittings, and couplers tightly secured and free of leaks.



Replace any worn, cut, abraded, flattened, or crimped hoses.



Do not make any temporary repairs to the hydraulic lines, fittings, or hoses using tape, clamps, or cement. The hydraulic system operates under extremely high pressure and temporary repairs may fail suddenly and create a hazardous/dangerous situation.



Wear proper hand and eye protection when searching for a high-pressure hydraulic leak. Use a piece of wood or cardboard as a backstop instead of hands to identify and isolate a leak. If injured by a concentrated high-pressure stream of hydraulic fluid, seek medical attention immediately. Serious infection or toxic reaction can develop if hydraulic fluid penetrates the surface of the skin.



Before applying pressure to the system, make sure all components are tight and that the hydraulic lines, hoses, and couplings are not damaged.

TRANSPORTATION SAFETY

SAFETY INSTRUCTIONS

Follow all operating and safety instructions found in this manual when transporting this equipment.

Make sure the harvester complies with all local regulations regarding transporting equipment on public roads and highways.



Make sure the Slow Moving Vehicle (SMV) emblem and all lights and reflectors required by local highway and transportation authorities are properly in place, clean, and clearly visible to traffic.



Do not allow riders on any machinery during transport.

Make sure the harvester is securely attached to the tractor and install a safety chain to the harvester.

Make sure the tractor brake pedals are latched together.

Do not exceed 20 mph (32 km/h) when transporting the harvester. Always reduce speed on rough roads and surfaces, or when going down inclines.

Use caution when turning and always use the turn signals on the tractor to indicate your turning intentions to the other traffic.

The weight of the trailed machine should NEVER exceed the weight of the towing vehicle.

Check all clearances carefully whenever the machine is towed.

Lower the elevator into the transport position before transporting the harvester on the highway.



Stay away from overhead obstructions and power lines during transport. Electrocutation can occur even without direct contact.

STORAGE SAFETY

SAFETY INSTRUCTIONS

Follow all operating and safety instructions found in this manual when storing this equipment.



Store the harvester in an area away from human activity.



Do not permit children to play on or around the stored machine at any time.

Make sure that the harvester is stored in an area with a firm and level base to prevent the machine from tipping or sinking into the ground.



Block the wheels to prevent the machine from rolling.

TIRE SAFETY**SAFETY
INSTRUCTIONS**

Follow all operating and safety instructions found in this manual when working around tires.

Have only a qualified tire dealer or tire repair service perform tire repairs.

Do not attempt to install a tire on a wheel or rim unless you have the proper equipment and experience to do the job.

Do not substitute tires with a lesser road rating and/or capacity for the original equipment tires.

WARNING

Explosive Force Hazard
Tire replacement, repair, and/or maintenance should be done by a qualified tire dealer or qualified repair service.

Failure to follow proper procedures when installing a tire on a wheel or rim can produce an explosive force that will result in serious injury or death.

Do not attempt to install a tire without proper equipment and experience to perform the job.

ASSEMBLY SAFETY**SAFETY
INSTRUCTIONS**

Follow all assembly, operating, and safety instructions found in this manual when assembly this equipment.



Use adequate manpower to perform assembly procedures safely.

Assemble the harvester in an area with sufficient space to maneuver the largest components and allow easy access to all sides of the machine.



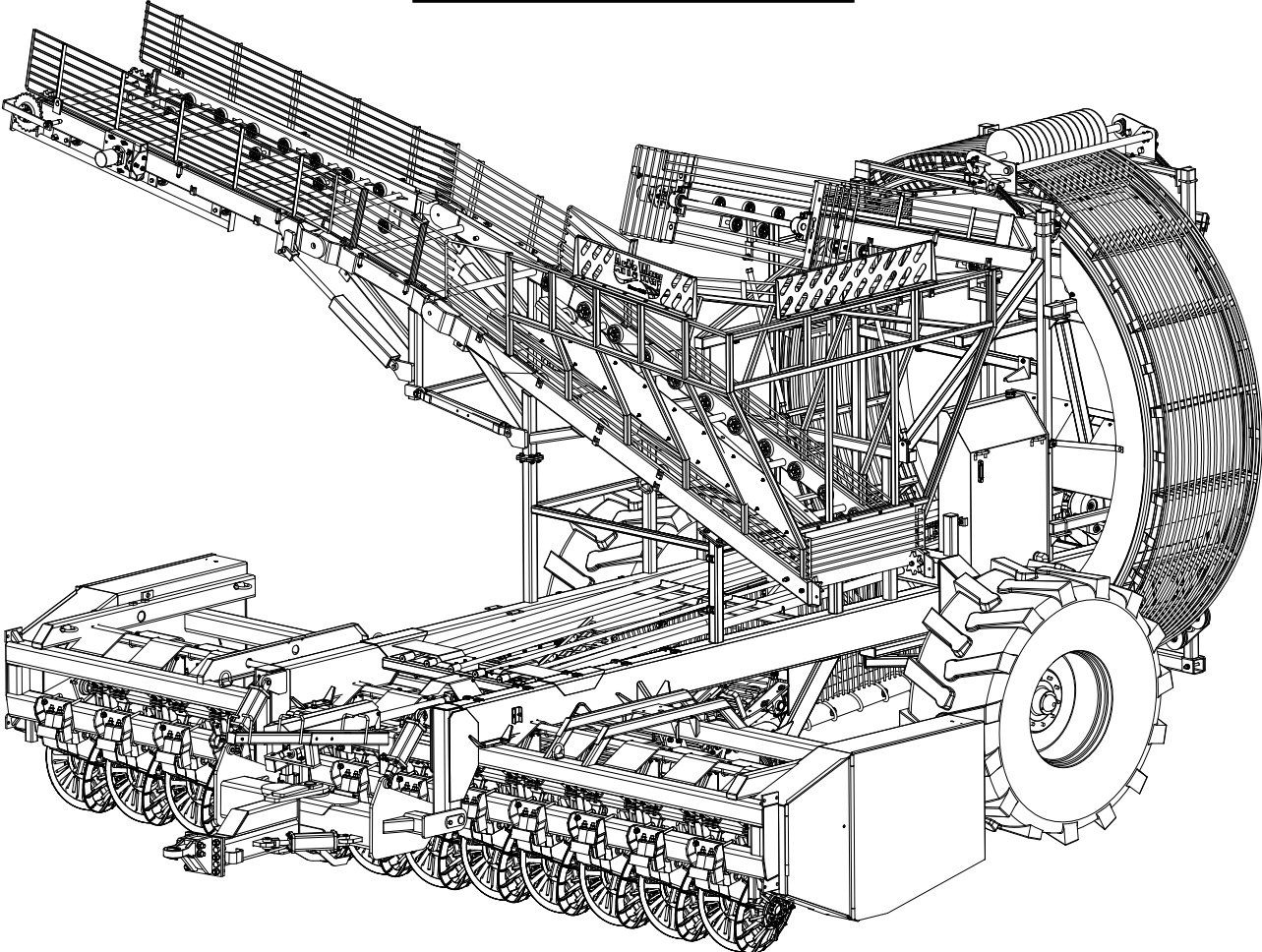
Use only forklifts, lift cranes, jacks, and tools with sufficient capacity for the loads.



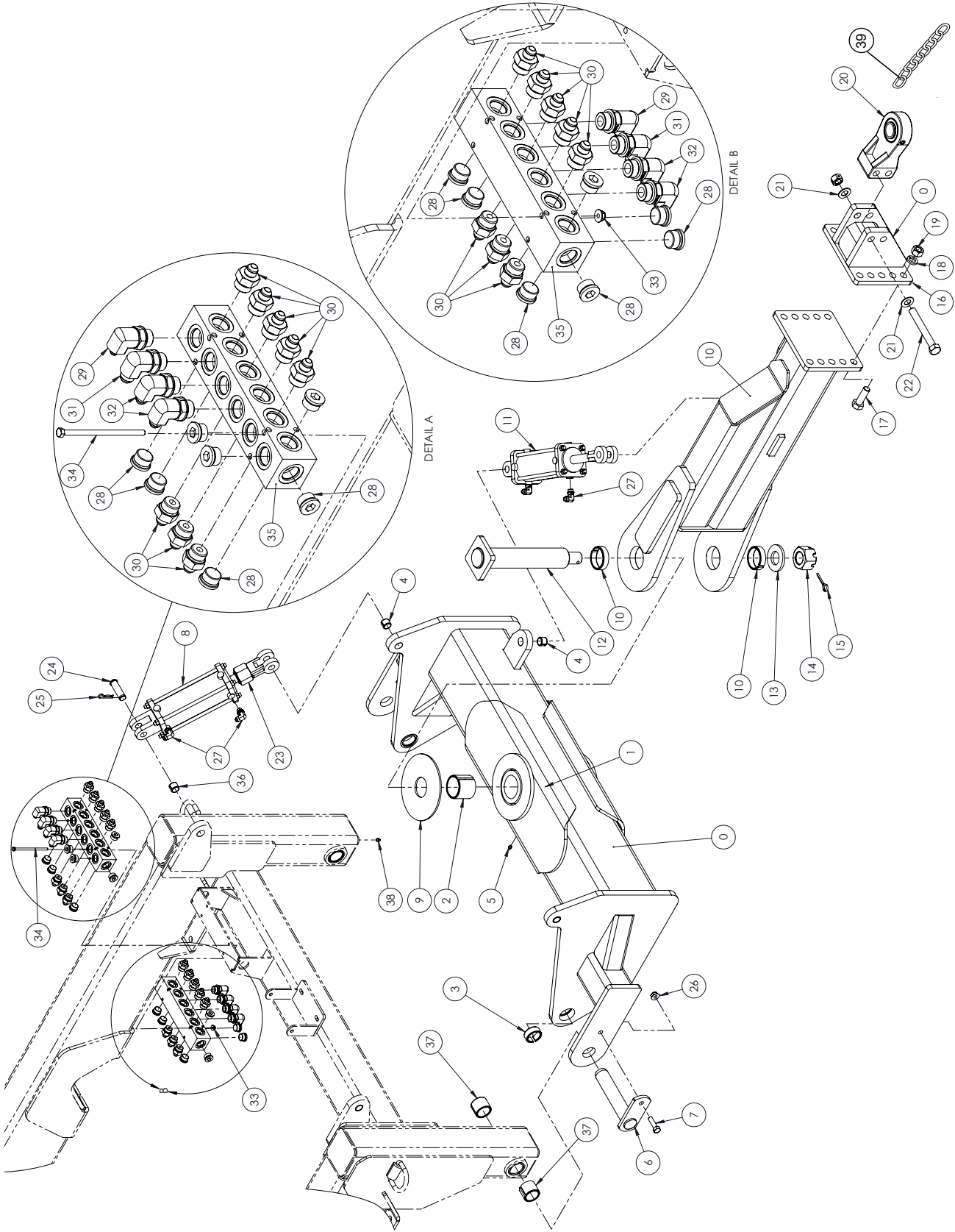
Do not allow spectators, especially children, in the working area.

**THIS PAGE
LEFT
INTENTIONALLY
BLANK**

SECTION 1: HARVESTER

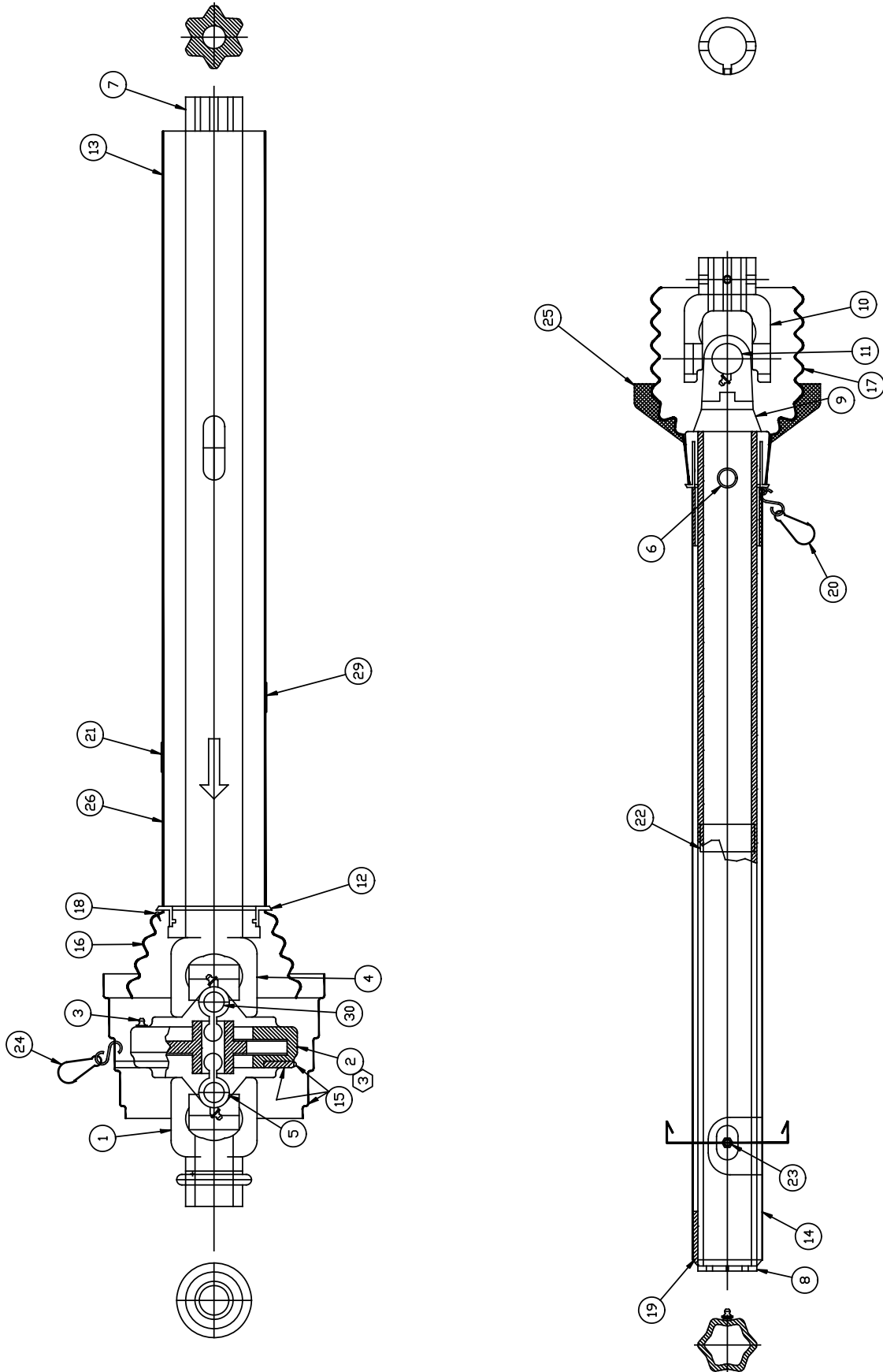


HITCH ASSEMBLY



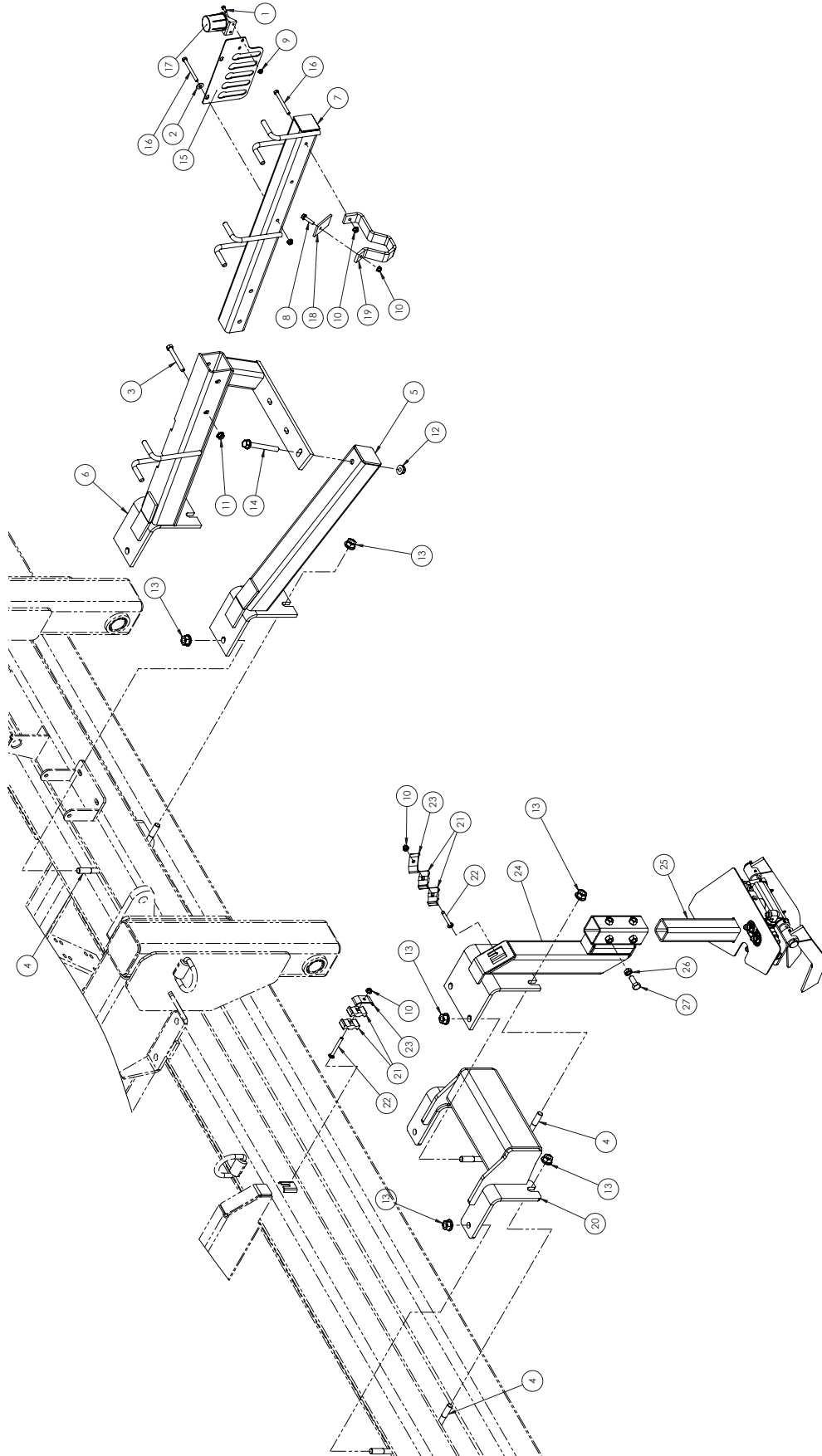
ITEM NO.	PARTNUMBER	DESCRIPTION	QTY.
1	537430	CROSSMEMBER WELDMENT	1
2	537350	BUSHING, TENSION	2
3	538720	BUSHING, TENSION	2
4	V180220	BUSHING, STEEL	3
5	013170	FITTING, GREASE STRAIGHT	1
6	537480	PIN WELDMENT	2
7	013430	BOLT, HHCS 5/8-11 X 2-1/4"	2
8	561940	CYLINDER, HYD 4 X 8	2
9	537390	WASHER, THRUST	2
10	537420	TONGUE WELDMENT	1
11	561945	CYLINDER, HYD 4 X 8	1
12	537530	PIN WELDMENT	1
13	537580	SPACER, RD	1
14	537540	NUT, CASTLE 2"	1
15	537550	PIN, COTTER	1
16	576400	WELDMENT, PINTLE HITCH	1
17	R66338	BOLT, HHCS 1-8 X 3"	6
18	003350	WASHER, LOCK 1"	6
19	J14H805	NUT, HEX 1-8	6
20	576420	HITCH, SPH. PINTLE	1
21	1107389	WASHER, FLAT 1 SAE	4
22	252020	BOLT, HHCS 1-8 X 8"	2
23	538870	NUT, STOP	2
24	596860	PIN, CLEVIS	6
25	051670	HAIRPIN, .148 x 2-11/16	6
26	600150	NUT, HFH NYLOC 5/8-11	2
27	530210	FITTING, HYD 90°	6
28	605850	FITTING, HYD PLUG	14
29	605830	FITTING, HYD 90°	2
30	605840	FITTING, HYD STRAIGHT	16
31	585410	FITTING, HYD 90°	2
32	585160	FITTING, HYD 90°	4
33	600110	NUT, HFH NYLOC 5/16-18	4
34	600480	BOLT, HHCS 5/16-18 X 6"	4
35	601270	BLOCK, HYD. JUNCTION	2
36	V180220	BUSHING, STEEL	2
37	537610	BUSHING, TENSION	4
38	013170	FITTING, GREASE STRAIGHT	2
39	472910	CHAIN, SAFETY	1

POWER TAKE OFF (PTO) DRIVE ASSEMBLY, (1-3/4-20 TRACTOR SPLINE) 2008 & LATER



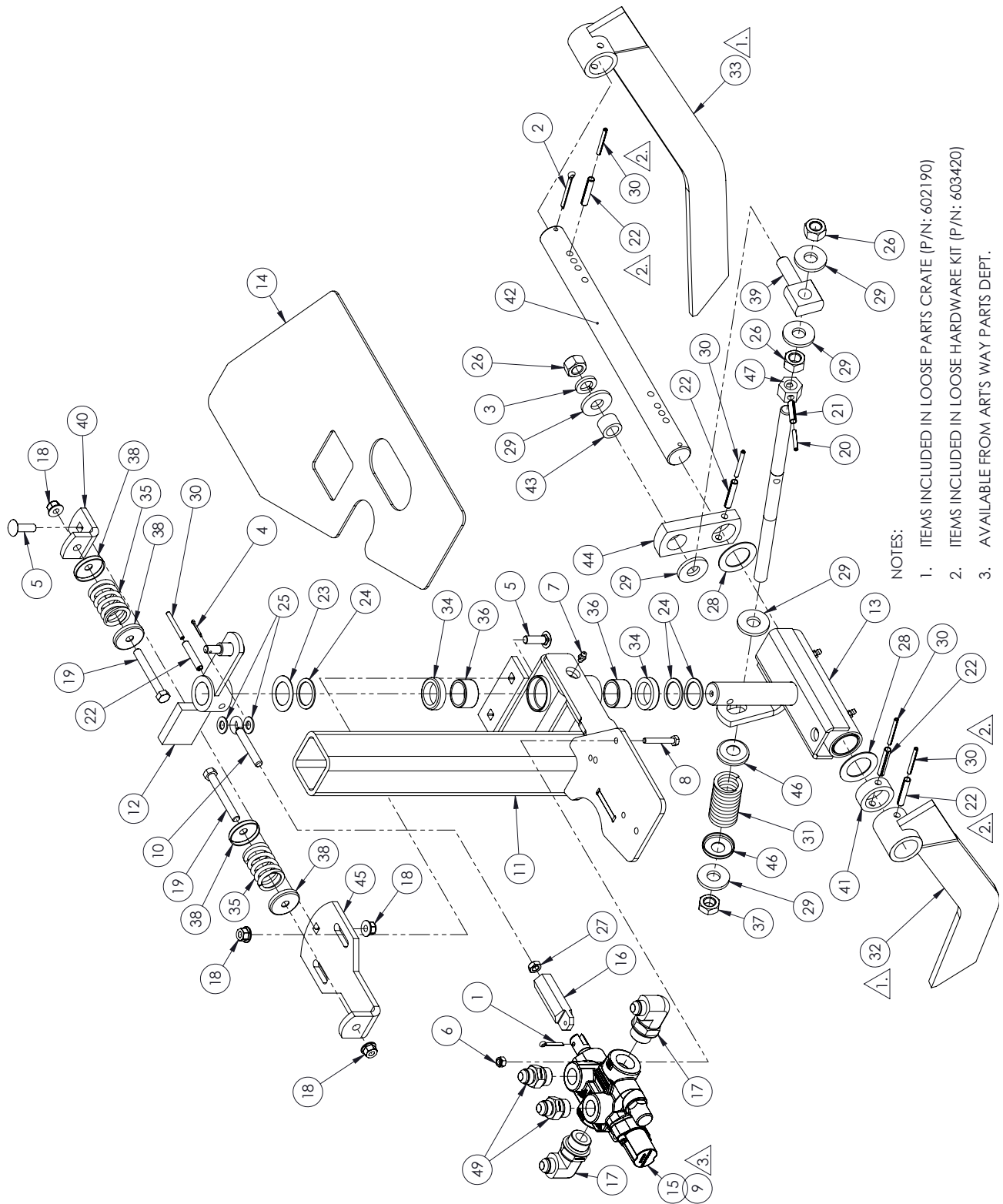
ITEM NO.	PART NUMBER	DESCRIPTION	QTY.
1	575390	YOKE, 1-3/4-20 SPL. AS	1
2	575400	DOUBLE YOKE	1
3	388970	GREASE ZERK. (IN ITEM #2)	1
4	498810	INBOARD YOKE , S4	1
5	575420	CROSS & BEARING KIT	1
6	196740	SPRING PIN, 10 x 90	1
7	287470	INNER PROFILE, S4GA	1
8	287480	PROFILE 8x SLEEVE W.A.	1
9	196770	INBOARD YOKE , SS	1
10	345910	YOKE, 1-3/4 RB 3 / 8 KYWY	1
11	182230	CROSS & BEARING KIT	1
12	182900	BEARING RING SC25	1
13	287490	OUT SHIELD, TUB OVL.	1
14	287500	INN. SHIELD TUBE, ROUND	1
15	345950	CV CONE & BEARING ASSY	1
16	345960	SHIELD CONE 4 RIB	1
17	340140	SHIELD CONE, 7 RIB	1
18	345980	SCREW - IN ITEMS #15, 16, 17	1
19	340190	SUPPORT BEARING	1
20	182890	SAFETY CHAIN	1
21	268860	DECAL, OUT, (IN ITEM #13)	1
22	340180	DECAL, INN. (IN ITEM #8)	1
23	196890	ZERK, (IN ITEM #8)	1
24	354190	SAFETY CHAIN- L= (23.62")	1
25	349250	REINFORCED COLLAR	1
26	-	EC CERTIFICATE	1
27	-	CE MARK DECAL	1
28	-	EUROPEAN DECAL	1
29	359090	LUBRIC ATION DECAL	1
30	575410	CROSS & BEARING KIT	1
31	340200	AS COL. KIT (IN ITEM #1)	1

ROWFINDER & SUPPORTS ASSEMBLY



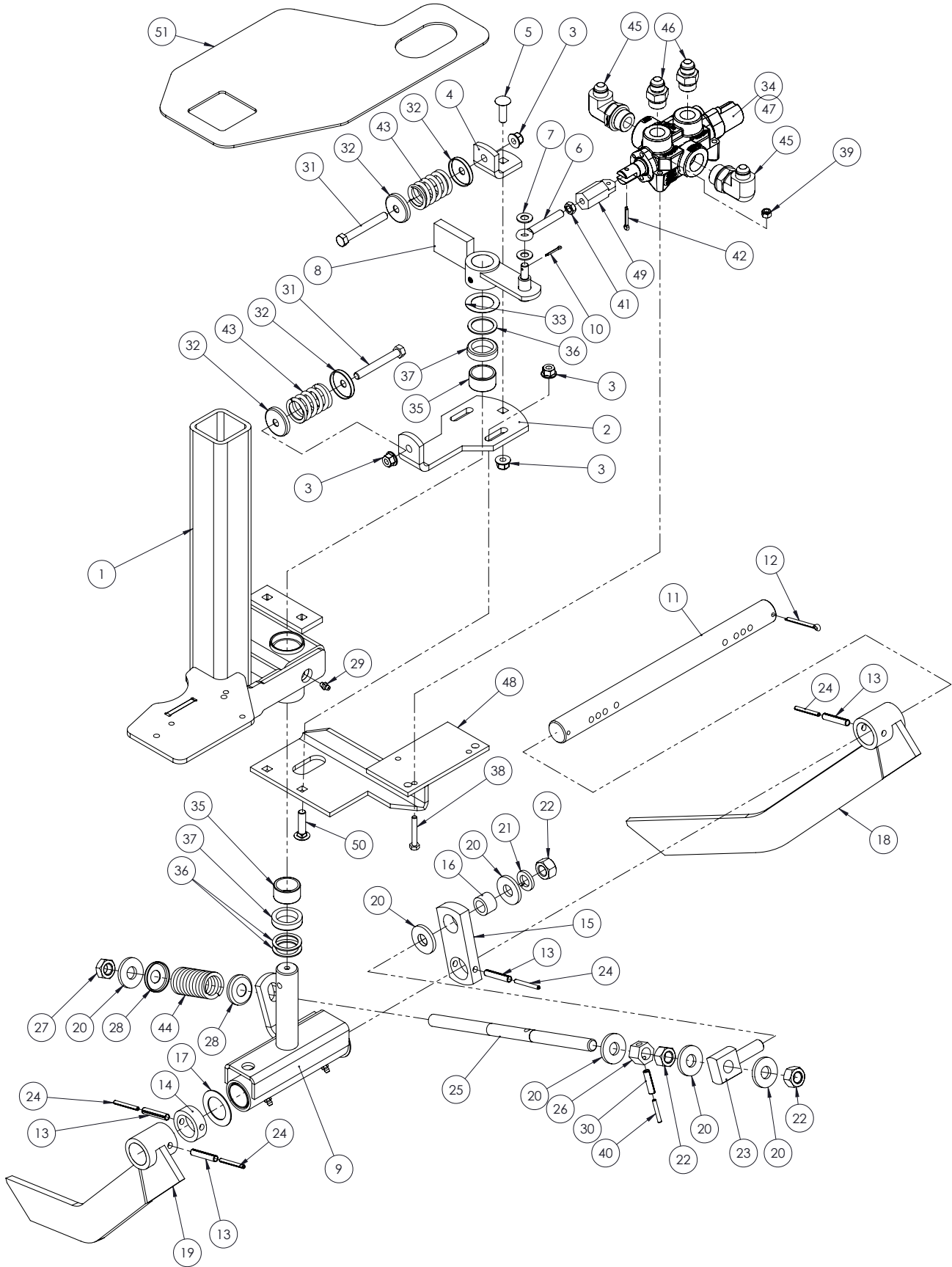
ITEM NO.	PART NUMBER	DESCRIPTION	QTY.
1	012051	BOLT, HHCS 1/4-20 X 3/4	2
2	021190	WASHER, FLAT 3/8 STD	2
3	340300	BOLT, HHCS 1/2-13 X 4-1/4"	2
4	538600	BOLT, L 3/4-10	4
5	552560	BRACE WELDMENT	1
6	563550	JS & HOSE SUPPORT	1
7	563560	JS & HOSE WELDMENT	1
8	600040	BOLT, HFH 3/8-16 X 1-1/2	1
9	600100	NUT, HFH NYLOC 1/4-20	2
10	600120	NUT, HFH NYLOC 3/8-16	6
11	600140	NUT, HFH NYLOC 1/2-13	2
12	600150	NUT, HFH NYLOC 5/8-11	1
13	600160	NUT, HFH TOPLOCK 3/4-10	8
14	600260	BOLT, HFH 5/8-11 X 5-1/2 GR8	1
15	602100	HOLDER, HYD HOSE	1
16	991150	BOLT, HHCS 3/8-16 X 4	3
17	JPT1296	BRACKET, STORAGE HOLDER 7 POLE	1
18	MP16.10225	FLAP, HANGER	1
19	MP16.21023	HANGER, PTO	1
20	601580	MOUNT, ROWFINDER	1
21	527700	CLAMP, HOSE	4
22	991190	BOLT, CRG 3/8-16 X 3-1/2	2
23	527680	BAR, HOSE CLAMP	2
24	538290	ROWFINDER WLDT,	1
25	606640	ROWFINDER LOWER UNIT	1
26	1121555	NUT, JAM 5/8-11	4
27	990610	BOLT, HHCS 5/8-11 X 1-1/2"	4

ROWFINDER ASSEMBLY



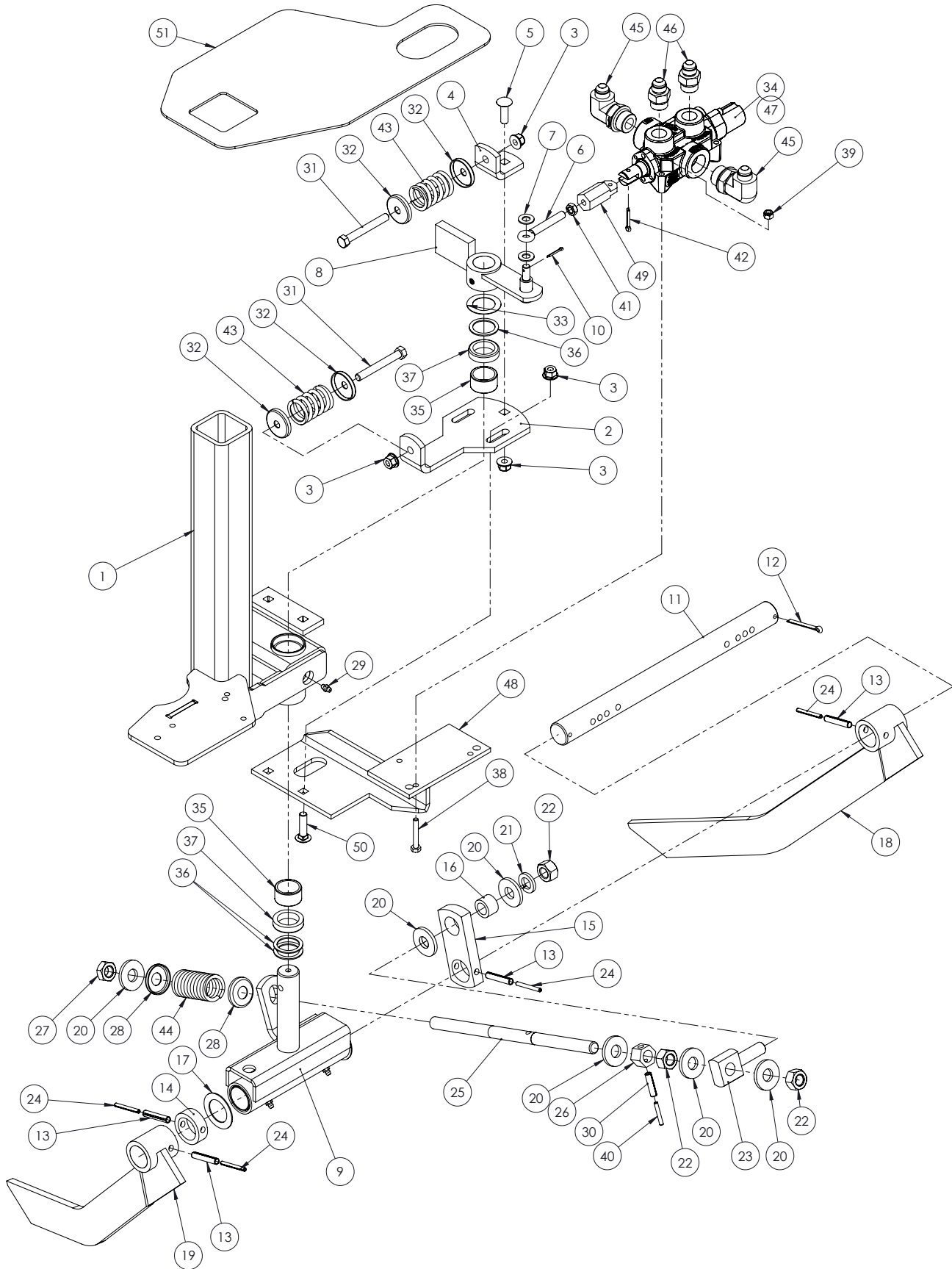
ITEM NO.	PART NUMBER	DESCRIPTION	QTY.
1	003450	COTTER PIN, 3/16 X 1-1/4	1
2	003950	PIN, COTTER 3/16 X 2	2
3	020440	WASHER, LOCK 5/8	1
4	023090	PIN, COTTER 3/32 X .75	1
5	035180	BOLT, CRG 3/8-16 X 1-1/4"	3
6	037550	NUT, NYLOC 1/4-20	3
7	049180	FITTING, GREASE 1/4-28 STRT	1
8	223540	BOLT, HHCS 1/4-20	3
9	343250	ROWFINDER VALVE, OPEN CTR.	1
10	413450	BOLT, EYE 3/8 X 2.80	1
11	520600	BRACKET, WELDMENT	1
12	521740	ARM, WELDMENT	1
13	521950	SHAFT, T-ASSEMBLY LH SPRING	1
14	533080	COVER, ROWFINDER	1
15	583650	ROWFINDER VALVE, CLOSED CTR.	1
16	583660	CLEVIS, HEX VALVE	1
17	585160	FITTING, HYD 90°	2
18	600120	NUT, HFH NYLOC 3/8-16	5
19	990820	BOLT, HHCS 3/8-16 X 3	2
20	991100	PIN, ROLL 3/16 X1-1/4	1
21	1030808	PIN, 5/16 X 1-1/4	1
22	E580053	PIN, ROLL 5/16 X 1-3/4	5
23	I22266R1	WASHER, FLAT 1.15 X 1.75 X .027	1
24	I23041R1	WASHER, FLAT 1.15 X 1.50 X .0598	3
25	I120394	WASHER, FLAT 3/8 SAE	2
26	I124589	NUT, HEX 5/8-11	3
27	I124829	NUT,JAM 3/8-16	1
28	I49581205	WASHER, FLAT 1.28 X 2.00 X .060	2
29	J24H1373	WASHER, FLAT	6
30	J34H288	PIN, ROLL 3/16 X 1-3/4	5
31	J23096	SPRING, COIL	1
32	JAN142148	ARM ASSY ROW FINDER, RH	1
33	JAN142149	ARM ASSY ROW FINDER, LH	1
34	JAT30144	SEAL, 1.125 X 1.567 X .375	2
35	JCJ21FN	SPRING, COIL	2
36	JJD8813	BEARING, NEEDLE	2
37	JK40015	NUT, HEX 5/8-11 TOP LOCK	1
38	JN73401	WASHER, CUPPED	4
39	JN145970	EYEBOLT	1
40	JN145971	BRACKET, ANGLE	1
41	JN145972	BUSHING	1
42	JN145977	SHAFT, CROSS	1
43	JN145980	SPACER	1
44	JN145981	BRACKET, SPRING	1
45	JN145982	BRACKET,	1
46	JN147036	WASHER, CUPPED	2
47	JN147174	STOP, SPRING COMPRESSION	1
48	JN147175	STUD ADJUSTING	1
49	MP32-02101	FITTING, HYD STRAIGHT	2

ROWFINDER ASSEMBLY, KIT FOR 28 & 30 INCH ROW SPACING



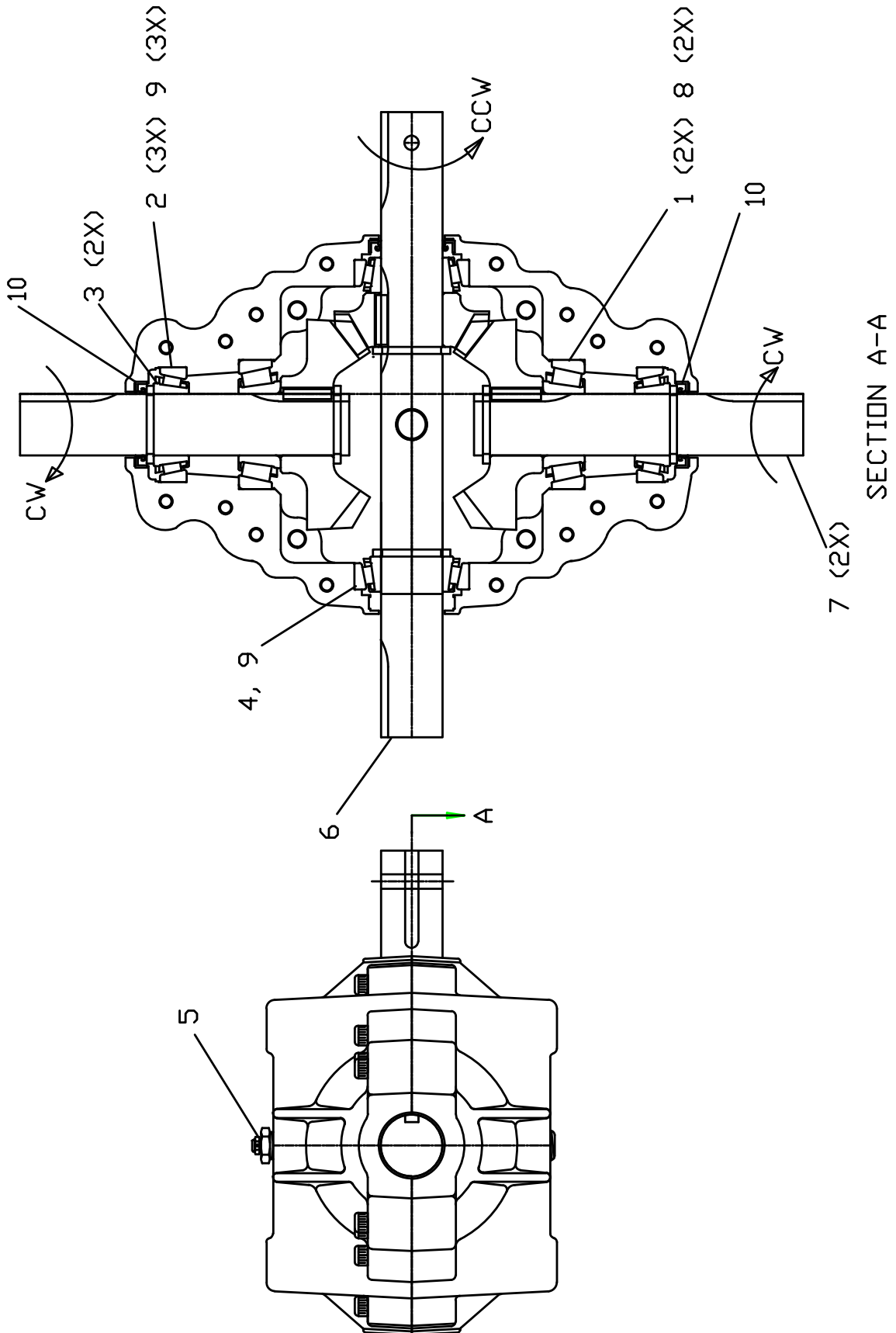
ITEM NO.	PART NUMBER	DESCRIPTION	QTY.
1	520600	BRACKET, WELDMENT	1
2	JN145982	BRACKET,	1
3	600120	NUT, HFH NYLOC 3/8-16	5
4	JN145971	BRACKET, ANGLE	1
5	035180	BOLT, CRG 3/8-16 X 1-1/4"	1
6	413450	BOLT, EYE 3/8 X 2.80	1
7	I120394	WASHER, FLAT 3/8 SAE	2
8	521740	ARM, WELDMENT	1
9	521950	SHAFT, T-ASSEMBLY LH SPRING	1
10	023090	PIN, COTTER 3/32 X .75	1
11	JN145977	SHAFT, CROSS	1
12	003950	PIN, COTTER 3/16 X 2	2
13	E580053	PIN, ROLL 5/16 X 1-3/4	5
14	JN145972	BUSHING	1
15	JN145981	BRACKET, SPRING	1
16	JN145980	SPACER	1
17	I49581205	WASHER, FLAT 1.28 X 2.00 X .060	2
18	JAN142149	ARM ASSY ROW FINDER, LH	1
19	JAN142148	ARM ASSY ROW FINDER, RH	1
20	J24H1373	WASHER, FLAT	6
21	020440	WASHER, LOCK 5/8	1
22	I124589	NUT, HEX 5/8-11	3
23	JN145970	EYEBOLT	1
24	J34H288	PIN, ROLL 3/16 X 1-3/4	5
25	JN147175	STUD ADJUSTING	1
26	JN147174	STOP, SPRING COMPRESSION	1
27	JK40015	NUT, HEX 5/8-11 TOP LOCK	1
28	JN147036	WASHER, CUPPED	2
29	049180	FITTING, GREASE 1/4-28 STRT	1
30	1030808	PIN, 5/16 X 1-1/4	1

ROWFINDER ASSEMBLY, KIT FOR 28 & 30 INCH ROW SPACING, (CONTINUED)



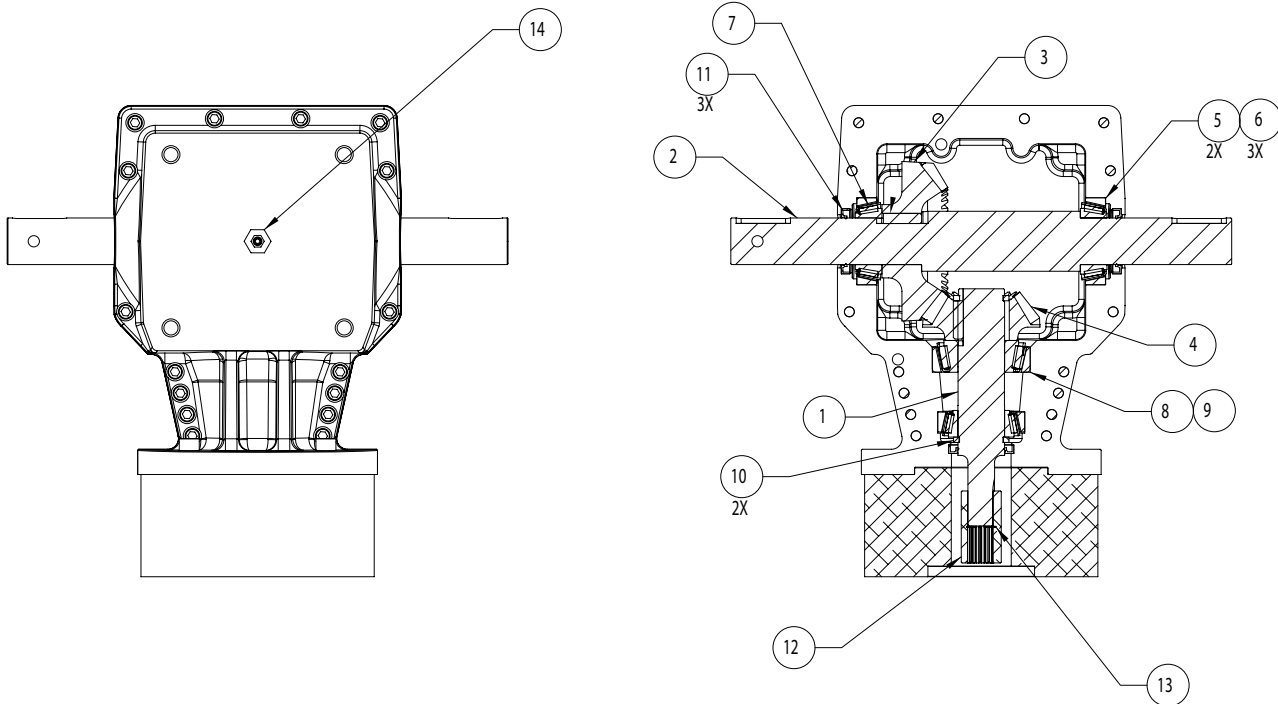
ITEM NO.	PART NUMBER	DESCRIPTION	QTY.
31	990820	BOLT, HHCS 3/8-16 X 3	2
32	JN73401	WASHER, CUPPED	4
33	I22266R1	WASHER, FLAT 1.15 X 1.75 X .027	1
34	583650	ROWFINDER VALVE, CLOSED CTR.	1
35	JJD8813	BEARING, NEEDLE	2
36	I23041R1	WASHER, FLAT 1.15 X 1.50 X .0598	3
37	JAT30144	SEAL, 1.125 X 1.567 X .375	2
38	223540	BOLT, HHCS 1/4-20	3
39	037550	NUT, NYLOC 1/4-20	3
40	991100	PIN, ROLL 3/16 X1-1/4	1
41	I124829	NUT,JAM 3/8-16	1
42	003450	COTTER PIN, 3/16 X 1-1/4	1
43	JCJ21FN	SPRING, COIL	2
44	J23096	SPRING, COIL	1
45	585160	FITTING, HYD 90°	2
46	MP32-02101	FITTING, HYD STRAIGHT	2
47	343250	ROWFINDER VALVE, OPEN CTR.	1
48	556660	WLDT, RF VALVE	1
49	583670	CLEVIS, HEX VALVE	1
50	J03H1558	BOLT, CRG 3/8-16 X 1-1/2	2
51	607690	FLAP, ROWFINDER	1

GEARBOX, 1:1.857, 4 SHAFT, 520400



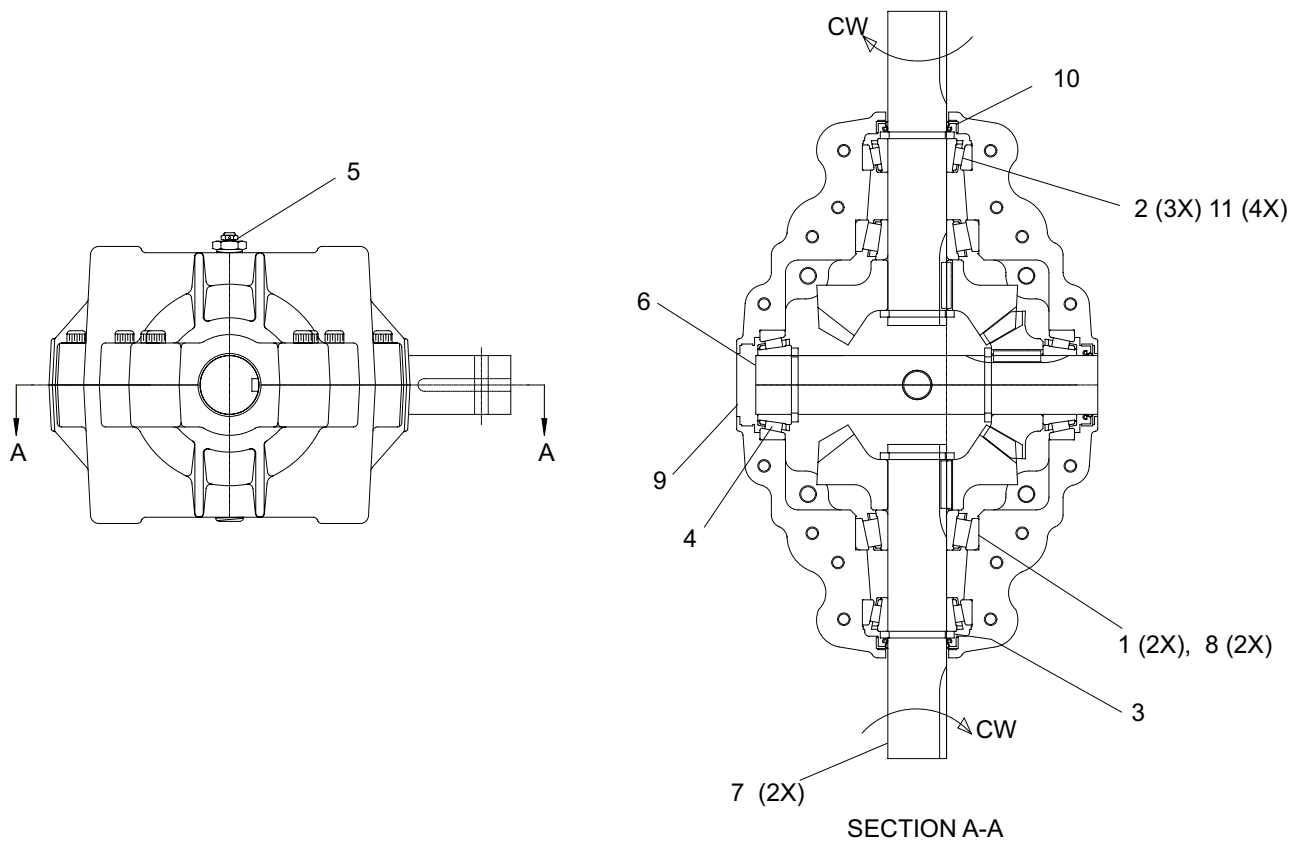
ITEM NO.	PART NUMBER	DESCRIPTION	QTY.
1	V241091P	BEARING, CONE	2
2	235770P	BEARING, CONE	3
3	247670P	RING, RETAINING	2
4	567790P	BEARING, CONE 1-3/4 25580	1
5	247820P	PLUG, PRESSURE RELIEF	1
6	567770P	CROSS SHAFT AND GEAR	1
7	567780P	STUB SHAFT/GEAR	2
8	E072317P	BEARING, CUP	2
9	129770P	BEARING, CUP	4
10	247660P	SEAL, OIL	4

GEARBOX, PUMP DRIVE, 562050



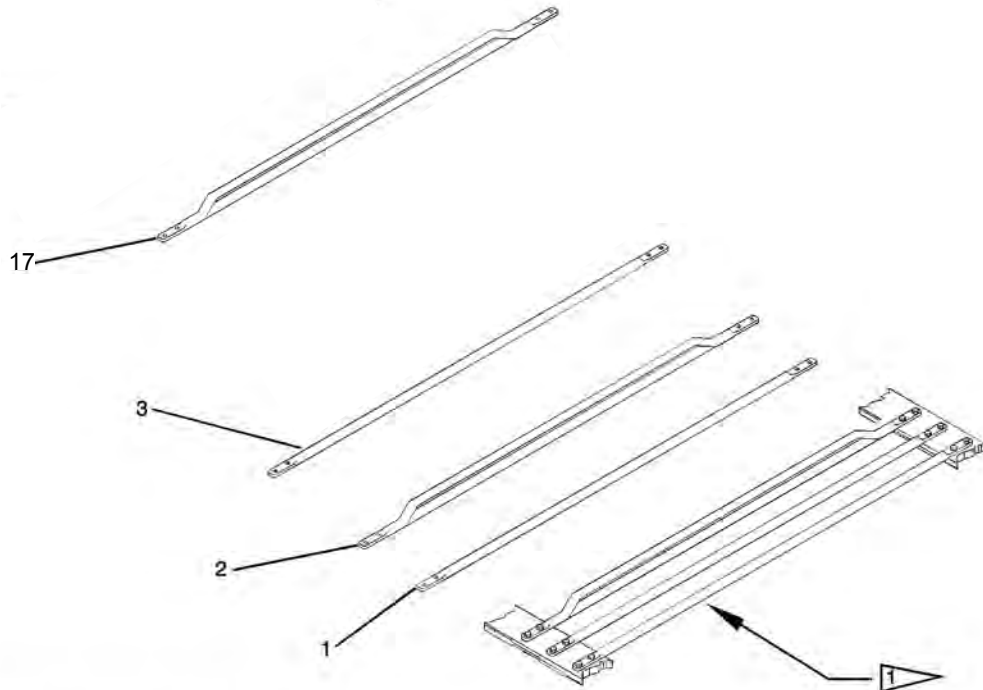
ITEM NO.	PART NUMBER	DESCRIPTION	QTY.
1	567800P	STUB, SHAFT 1.00 INCH SPLINE	1
2	567810P	SHAFT, CROSS	1
3	247740P	GEAR 30 TOOTH	1
4	247790P	GEAR 20 TOOTH	1
5	235770P	BEARING, CONE 1.75	2
6	129770P	BEARING, CUP 3.265	3
7	567790P	BEARING, CONE 2.5580	1
8	E072317P	BEARING, CUP 3.6718	1
9	V241091P	BEARING, CONE 1.75	1
10	247670P	RETAINING RING, EXT. 1.75	2
11	247660P	SEAL, 1.75 TO 2.437	3
12	567820P	COUPLER, SPLINED 15T	1
13	567830P	RETAINING RING	1
14	247820P	PLUG, VENT	1

GEARBOX, 1:1 REVERSE, WIDE HEADS,



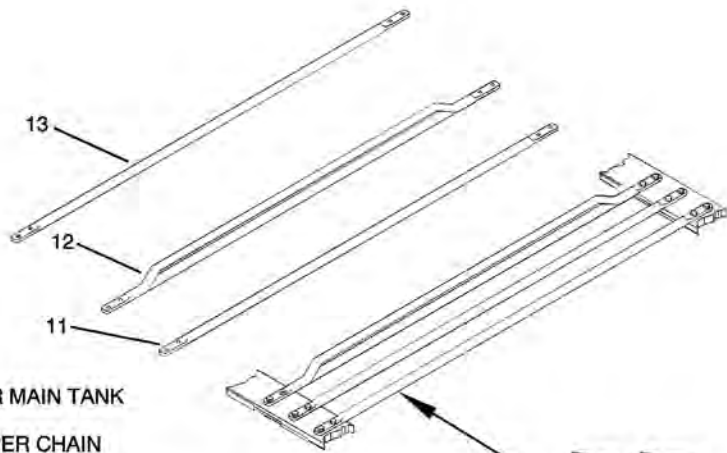
ITEM NO.	PART NUMBER	DESCRIPTION	QTY.
1	V241091P	BEARING, CONE	2
2	235770P	BEARING, CONE	3
3	247670P	RING, RETAINER	2
4	567790P	BEARING, CONE	1
5	247820P	PLUG, PRESSURE RELIEF	1
6	567850P	CROSS SHAFT AND GEAR	1
7	567840P	STUB SHAFT/GEAR	2
8	E072317P	BEARING, CUP	2
9	247840P	END, CAP	1
10	247660P	SEAL, OIL	4
11	129770P	BEARING, CUP 3.265	4

DRAPER CHAIN



NOTES:
 1 USE 607200 DRAPER CHAIN FOR SHORT CONVEYOR,
 1 REQUIRED.

DRAPER 1

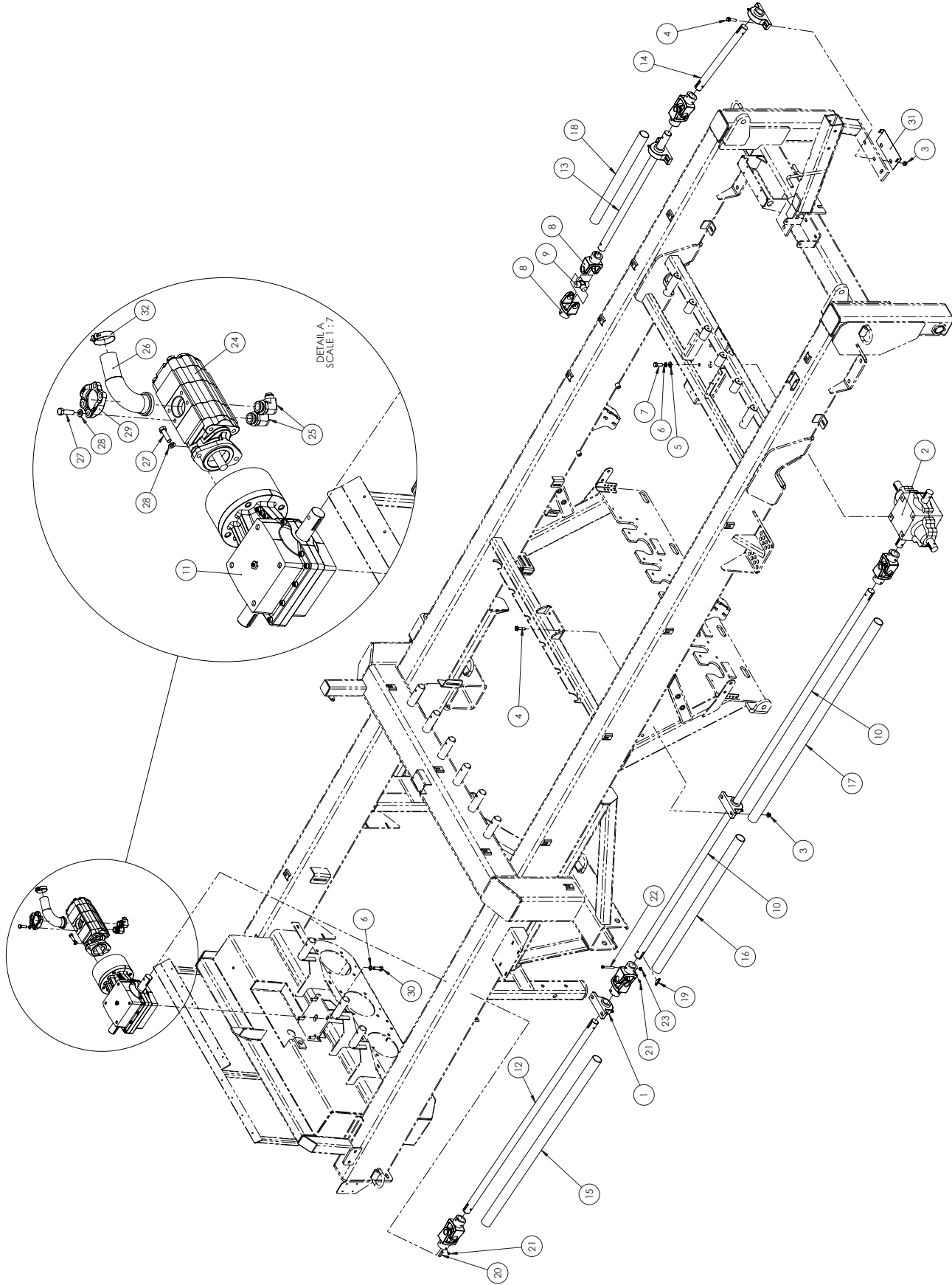


NOTES:
 1 USE 522030, 522040 DRAPER CHAIN FOR MAIN TANK
 AND BOOM (STD LENGTH).
 2 USE 551800, 551810 FULL LENGTH DRAPER CHAIN
 FOR MAIN TANK 44" EXTENSION & BOOM.
 3 USE 526580, 526590 BOOM EXTENSIONS.
 4 USE 522010, 522020 DRAPER CHAIN FOR TRANSFER ELEVATOR.

DRAPER 2

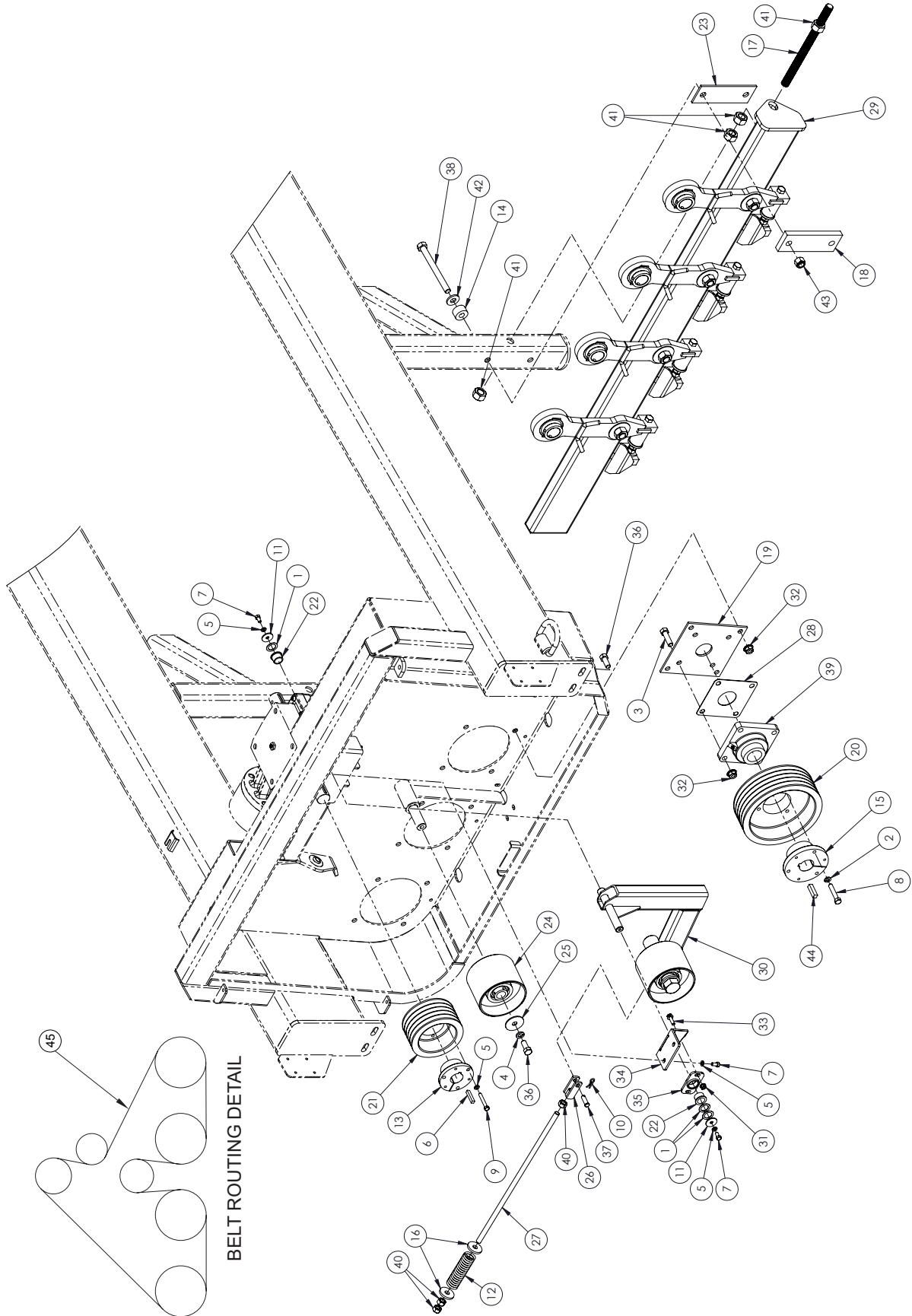
ITEM NO.	PART NUMBER	DESCRIPTION	QTY.
1	599560	ROD, 1/2 X 60", STR. STD.	
2	599570	ROD, 1/2 X 60", WELDED FLIGHT	
3	599580	ROD, 1/2 X 60", STR. 5/16" HOLES	
4	268670	PLATE, BACKING	
5	463180	SCREW, SFHCS, 12-28 X 1-1/4	
6	463190	NUT, LOCK 12-28	
7	343300	BELT SPLICE KIT	
8	533950	BACKER PLATE FOR 5/16	
9	533940	BOLT, 5/16-18 X 1-1/2 CTR. SK. HEX SOCKET	
10	181570	NUT, 5/16 LOCK	
11	530990	ROD, 1/2 X 42, STR. STD.	
12	531010	ROD, 1/2 X 42, WELDED FLIGHT	
13	533960	ROD, 1/2 X 42, STR. 5/16 HOLE	
14	533950	BACKER PLATE FOR 5/16	
15	533940	BOLT, 5/16-18 X 1-1/2 CTR. SK. HEX. SOCKET	
16	181570	NUT, 5/16 LOCK	
17	599590	ROD 1/2 X 60, WELDED FLIGHT, 5/16 HOLES	

DRIVE SHAFT ASSEMBLY



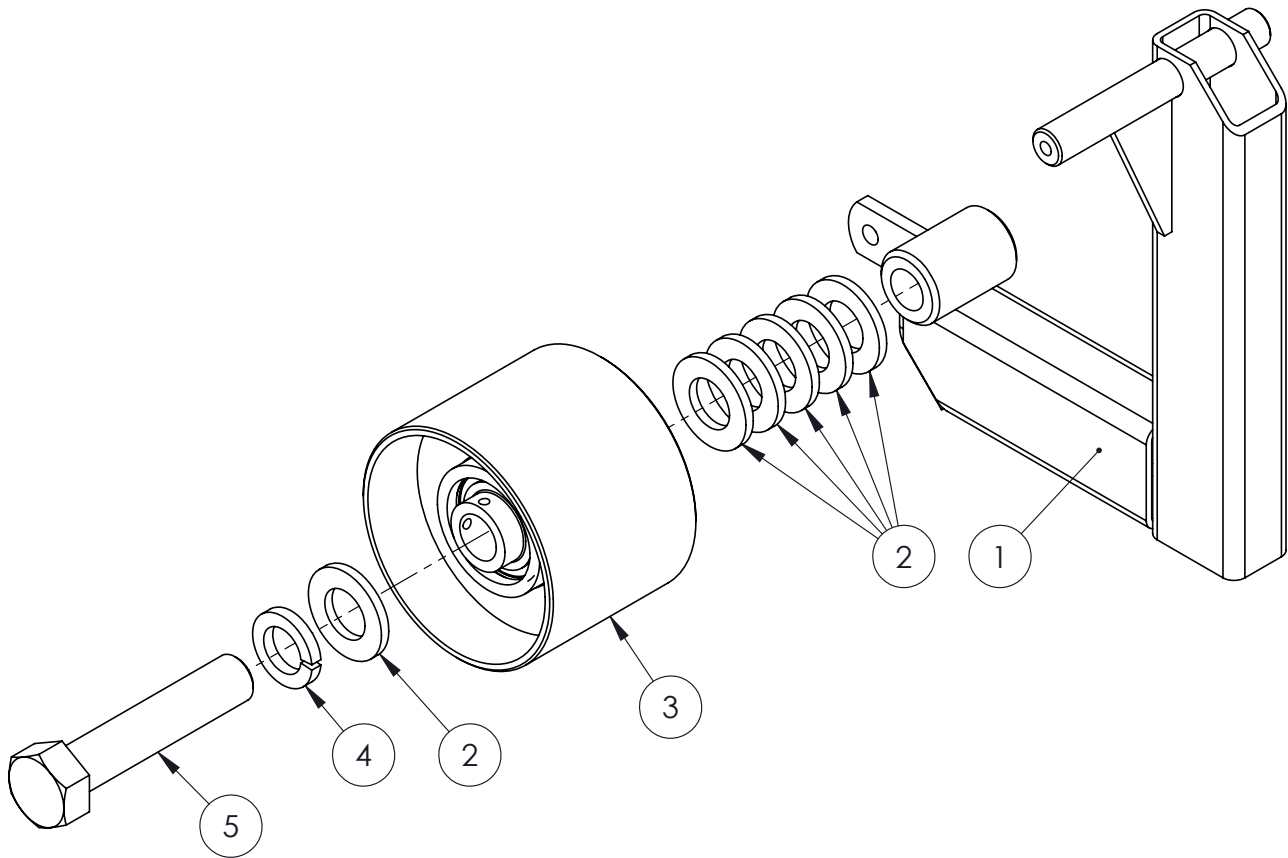
ITEM NO.	PART NUMBER	DESCRIPTION	QTY.
1	594450	BEARING, PB 1.75	4
2	520400	GEARBOX	1
3	600140	NUT, HFH NYLOC 1/2-13	8
4	600290	BOLT, HFH 1/2-13 X 2-1/4"	8
5	035210	WASHER, FLAT 5/8	4
6	020440	WASHER, LOCK 5/8	8
7	025100	BOLT, HHCS 5/8-11	4
8	345910	U-JOINT, YOKE	10
9	182230	KIT, CROSS & BEARING	5
10	526010	SHAFT, MIDDLE DRIVE	1
11	562050	GEARBOX, 600	1
12	562040	SHAFT, REAR DRIVE	1
13	526020	SHAFT, FRONT DRIVE	1
14	538760	SHAFT, PTO JACK	1
15	526050	SHIELD, INNER SPIN	1
16	525950	SHIELD, INNER SPIN	1
17	287550	SHIELD, INNER SPIN	1
18	525970	SHIELD, INNER SPIN	1
19	231950	KEY, WOODRUFF 1222-1	8
20	006670	KEY, SQ 3/8 X 1-1/2	5
21	120970	SCREW, HSSS 3/8-16 X 1/2"	13
22	1189304	BOLT, HHCS 3/8-16 X 3-1/4"	11
23	E552044	NUT, NYLOC 3/8-16	11
24	601400	PUMP, HYDRAULIC TANDEM	1
25	506540	FITTING, HYD 90°	2
26	606140	FITTING, HYD 90°	1
27	1770500	BOLT, HHCS 1/2-13 X 1-3/4"	6
28	005370	WASHER, LOCK 1/2	6
29	606160	KIT, FLANGE STRAP	1
30	990620	BOLT, HHCS 5/8-11 X 2"	4
31	602090	BRKT, PTO SHIELD	1
32	601180	CLAMP, HOSE	1

GRABROLL DRIVES - REAR BEARINGS ASSEMBLY



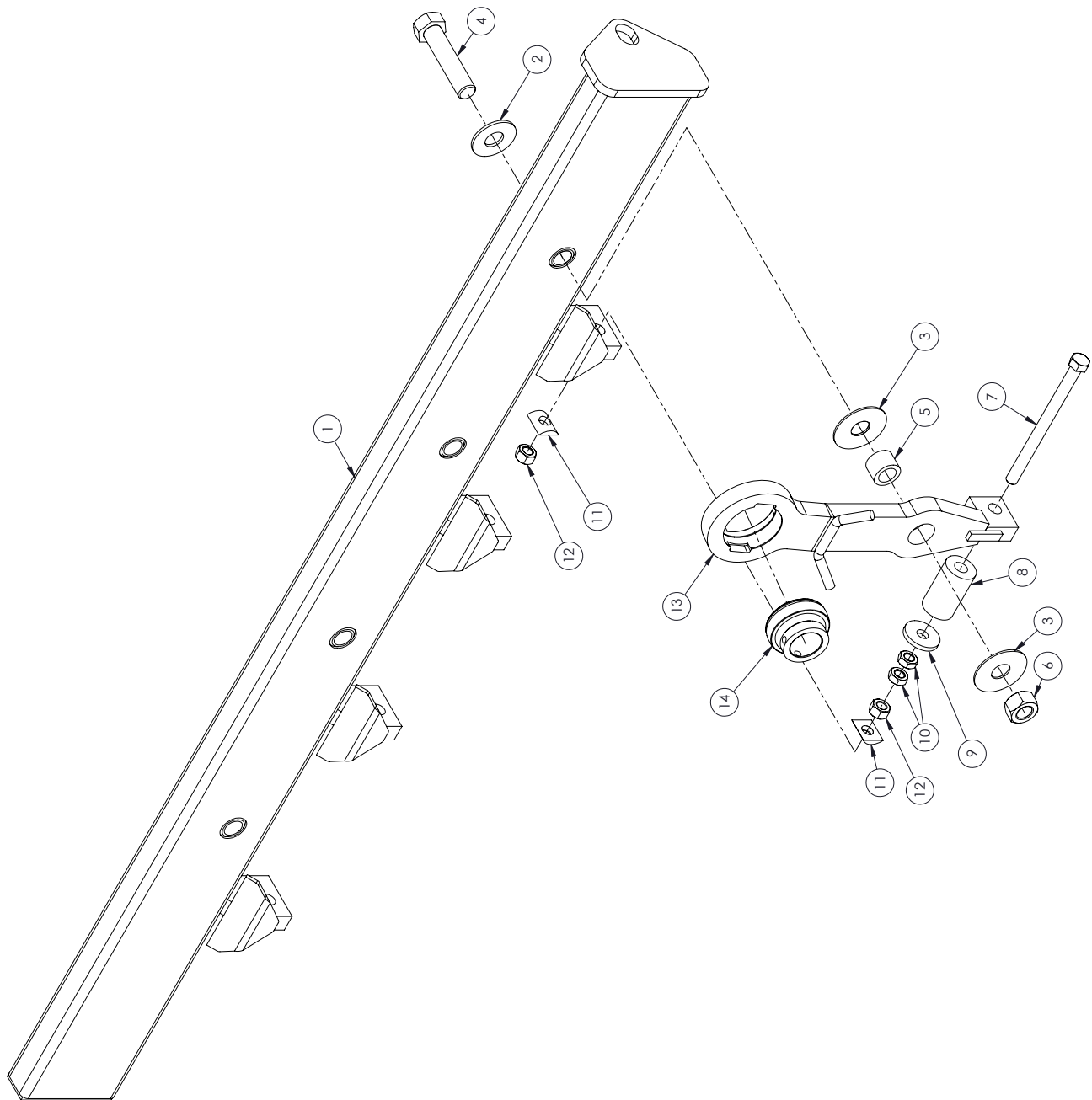
ITEM NO.	PART NUMBER	DESCRIPTION	QTY.
1	003370	WASHER, FLAT 1"	3
2	005370	WASHER, LOCK 1/2	12
3	013430	BOLT, HHCS 5/8-11 X 2-1/4"	16
4	020440	WASHER, LOCK 5/8	1
5	021180	WASHER, LOCK 3/8	7
6	021530	KEY, SQUARE 3/8 X 2	1
7	022420	BOLT, HHCS 3/8-16 X 3/4"	4
8	031580	BOLT, HHCS 1/2-13 X 2-3/4"	12
9	037630	BOLT, HHCS 3/8-16 X 2-1/2"	3
10	124350	PIN, COTTER 1/8 X 1-1/2"	1
11	169280	WASHER, FLAT 13/32	2
12	231000	SPRING, COMPRESSION	1
13	234760	BUSHING, QD, 1-3/4" BORE	1
14	248290	PAD, FLEX	4
15	251230	BUSHING, QD, 2" BORE	4
16	340310	WASHER, FLAT	2
17	518420	ROD, THREADED, 1-8 X 14.5"	1
18	518490	BAR, CLAMP	2
19	521990	PLATE, REAR GRABROLL, BRG	4
20	522140	SHEAVE, 5 GROOVE	4
21	522150	SHEAVE, 5 GROOVE	1
22	522600	BUSHING, OILITE	2
23	530900	BAR, CLAMP	2
24	561480	SHEAVE ASSY, IDLER 1.25" ID	1
25	561500	WASHER, FLAT 5/8	1
26	561870	YOKE WLDT, 5/8-11	1
27	561880	ROD, THREADED 5/8-11	1
28	575450	SHIM, BEARING 4 BOLT	4
29	596330	GRABROLL SUPPORTS	1
30	596350	ARM, IDLER	1
31	600120	NUT, HFH NYLOC 3/8-16	2
32	600150	NUT, HFH NYLOC 5/8-11	32
33	600280	BOLT, HFH 3/8-16 X 1-1/4"	2
34	604200	MOUNT, BUSHING	1
35	604220	MOUNT, ADJUSTABLE	1
36	990610	BOLT, HHCS 5/8-11 X 1-1/2"	17
37	1071212	PIN, CLEVIS 1/2 X 1-1/2"	1
38	1111952	BOLT, HHCS 3/4-10 X 8"	4
39	E072445	BEARING, 2.00" 4 BOLT	4
40	I124589	NUT, HEX 5/8-11	3
41	J14H805	NUT, HEX 1-8	4
42	J24H1401	WASHER, FLAT	4
43	JK40016	NUT, TOP LOCK, 3/4-10	4
44	R66305	KEY SQ, 1/2 X 2"	4
45	522210	BELT, REAR DRIVE	1

GRABROLL DRIVES - REAR IDLER ARM ASSEMBLY



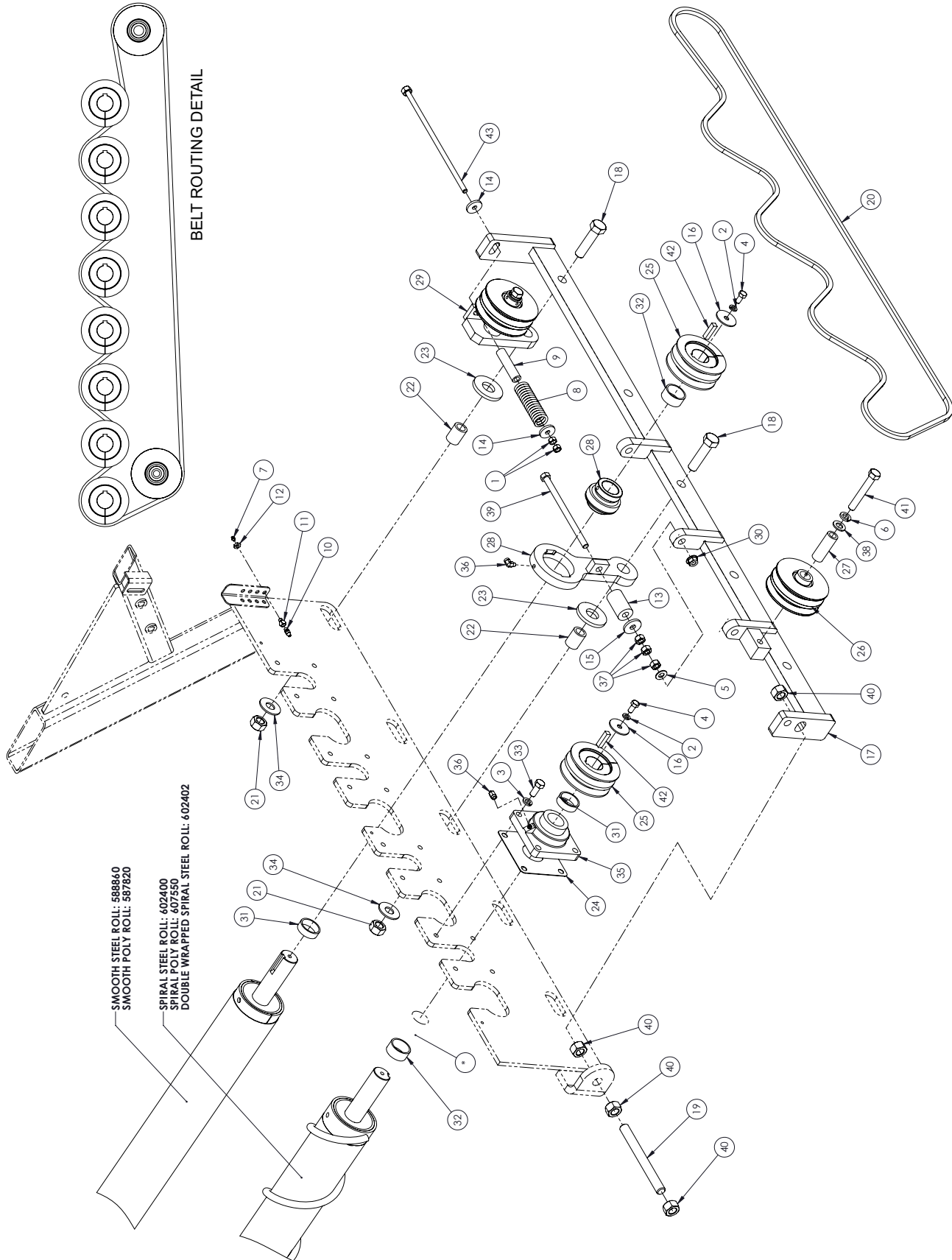
ITEM NO.	PART NUMBER	DESCRIPTION	QTY.
1	562300	ARM WLDT,	1
2	E829022	FW 1.25	6
3	561480	SHEAVE ASSY, IDLER 1.25 ID	1
4	E829047	WASHER, LOCK 1-1/4	1
5	590380	BOLT, HHCS 1-1/4-7 x 4-1/2 Gr8 ZN	1

GRABROLL DRIVES - REAR SUPPORTS ASSEMBLY



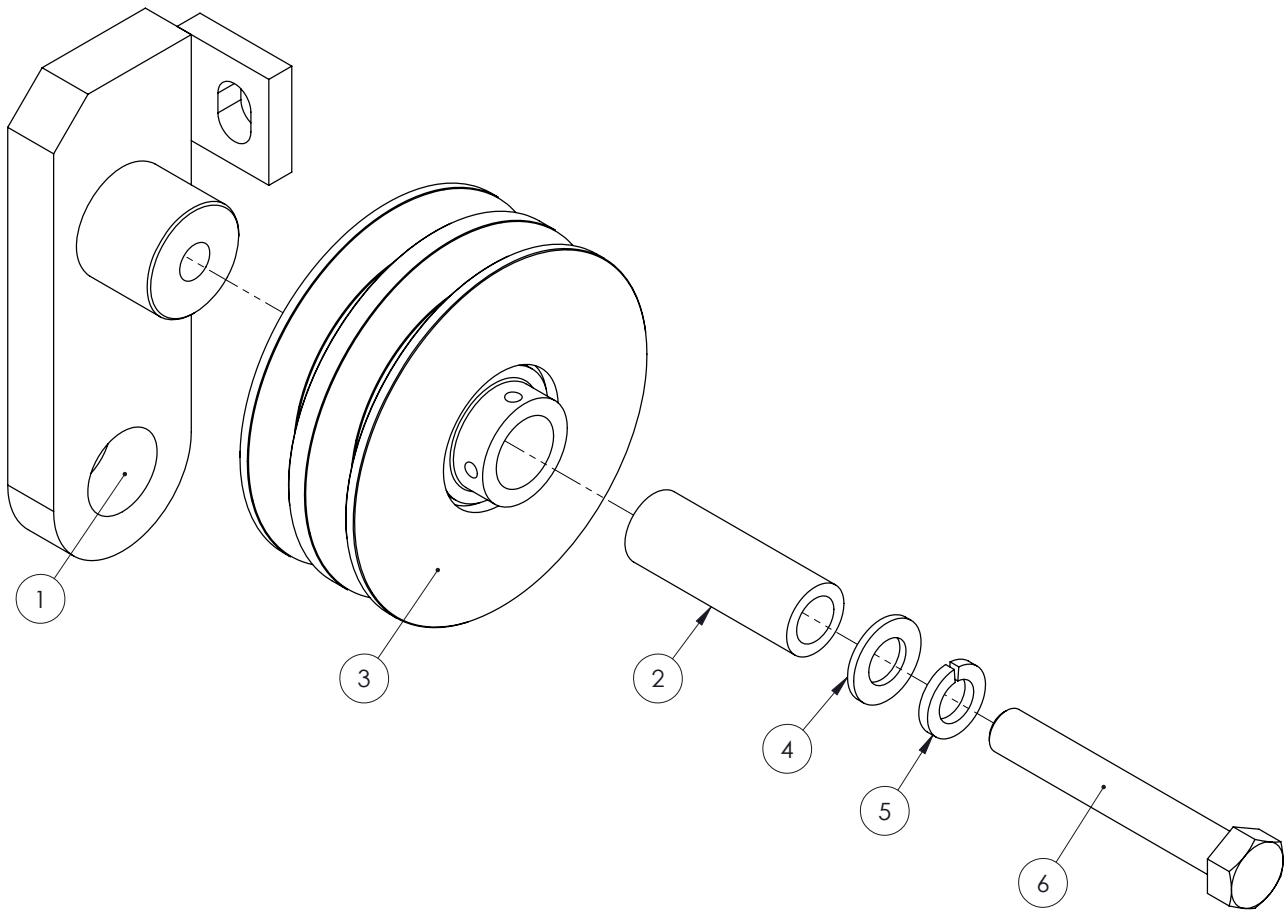
ITEM NO.	PART NUMBER	DESCRIPTION	QTY.
1	518500	REAR TUBE WLDT	1
2	990720	WASHER, FLAT 1" STD	4
3	264740	WASHER, HARDENED 1-1/16	8
4	TG0679	BOLT, HHCS 1-8 X 4-1/2", GR8	4
5	264730	BUSHING, GRABROLL ARM	4
6	530890	NUT, LOCK 1-8	4
7	264760	BOLT, HHCS 5/8-11 X 8-1/2", GR8	4
8	248300	PAD, FLEX, 1.75 X .75 X 3.00	4
9	340310	WASHER, FLAT	4
10	344630	NUT, JAM 5/8-11	8
11	264780	TENSION ROCKER	8
12	1124589	NUT, HEX 5/8-11	8
13	525560	ARM WLDT, SMOOTH	4
14	236490	BEARING, SPHERICAL 1-3/4" OD	4

GRABROLL DRIVES - FRONT BEARINGS ASSEMBLY



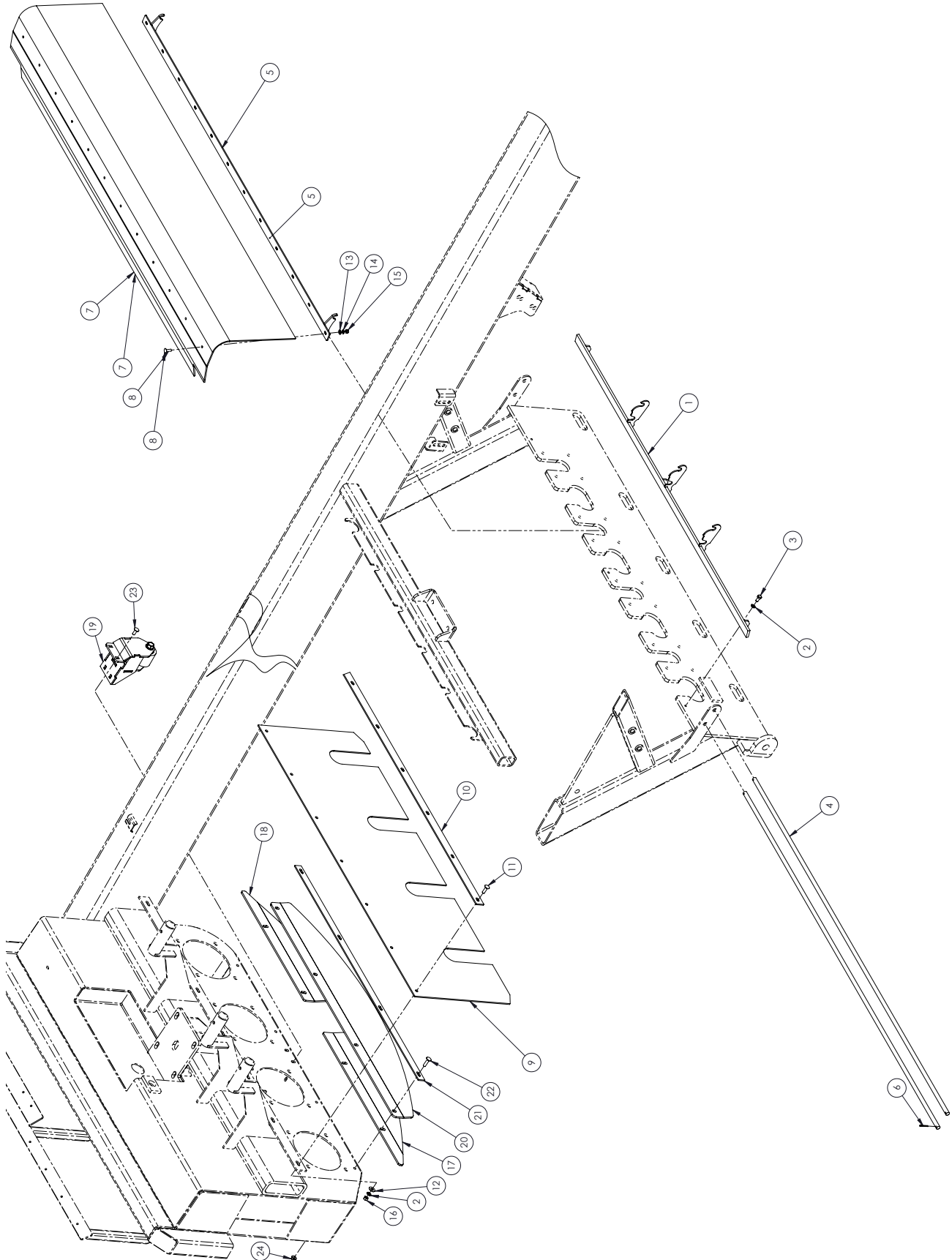
ITEM NO.	PART NUMBER	DESCRIPTION	QTY.
1	005360	NUT, HEX 1/2-13	2
2	005370	WASHER, LOCK 1/2	8
3	020440	WASHER, LOCK 5/8	16
4	031080	BOLT, HHCS 1/2-13 X 1.00	8
5	035210	WASHER, FLAT 5/8	4
6	036800	WASHER, LOCK 3/4 SAE	1
7	049180	FITTING, GREASE 1/4-28 STRT	8
8	231000	SPRING, COMPRESSION	1
9	239040	SPACER, SPRING	1
10	244260	FITTING, GREASE STRAIGHT	8
11	244280	CONNECTOR, BULKHEAD	8
12	244290	NUT, LOCK 1/8-NPSM	8
13	248300	PAD, FLEX, 1.75 X .75 X 3.00	4
14	268560	WASHER, FLAT 17/32 X 1 3/4X1/4	2
15	340310	WASHER, FLAT	4
16	509820	WASHER, FLAT 2.38 X .56 X .13	8
17	519150	BAR WELDMENT, GRABROLL	1
18	519720	BOLT, HHCS 1-8 X 4 GR8	5
19	519730	ROD THRD'D, 1-8 X 10	1
20	522270	BELT, DOUBLE CC158	2
21	530890	NUT, LOCK 1-8	5
22	566150	BUSHING, 1.578	5
23	566160	DISK, ARM SPACER	5
24	575450	SHIM, BEARING 4 BOLT	4
25	581400	SHEAVE, DBL C 6.0 OD	8
26	582060	SHEAVE ASSEMBLY	1
27	582070	BEARING SPACER, TUBE	1
28	596310	SUPPORT SUB ASM	4
29	596320	PULLEY SUB ASM	1
30	600150	NUT, HFH NYLOC 5/8-11	4
31	607530	SPACER, ROLL .77"	8
32	607540	SPACER, ROLL 1.13"	8
33	990610	BOLT, HHCS 5/8-11 X 1-1/2"	16
34	990720	WASHER, FLAT 1" STD	5
35	E072445	BEARING, 2.00" 4 BOLT	4
36	HT78-26-0204	ELBOW, BRASS 90°	8
37	I124589	NUT, HEX 5/8-11	12
38	I131017	WASHER, FLAT	1
39	J08H4753	BOLT, HHCS 5/8-11X 10-1/2 GR8	4
40	J14H805	NUT, HEX 1-8	4
41	P99440	BOLT, HHCS 3/4-10 X 5-1/2", GR8	1
42	R66305	KEY SQ, 1/2 X 2"	8
43	231070	ROD, WLDT, TAKE-UP,	1
44	264800	PAD, FLEX (STEEL ROLLS ONLY)	4

GRABROLL DRIVES - FRONT PULLEY ASSEMBLY



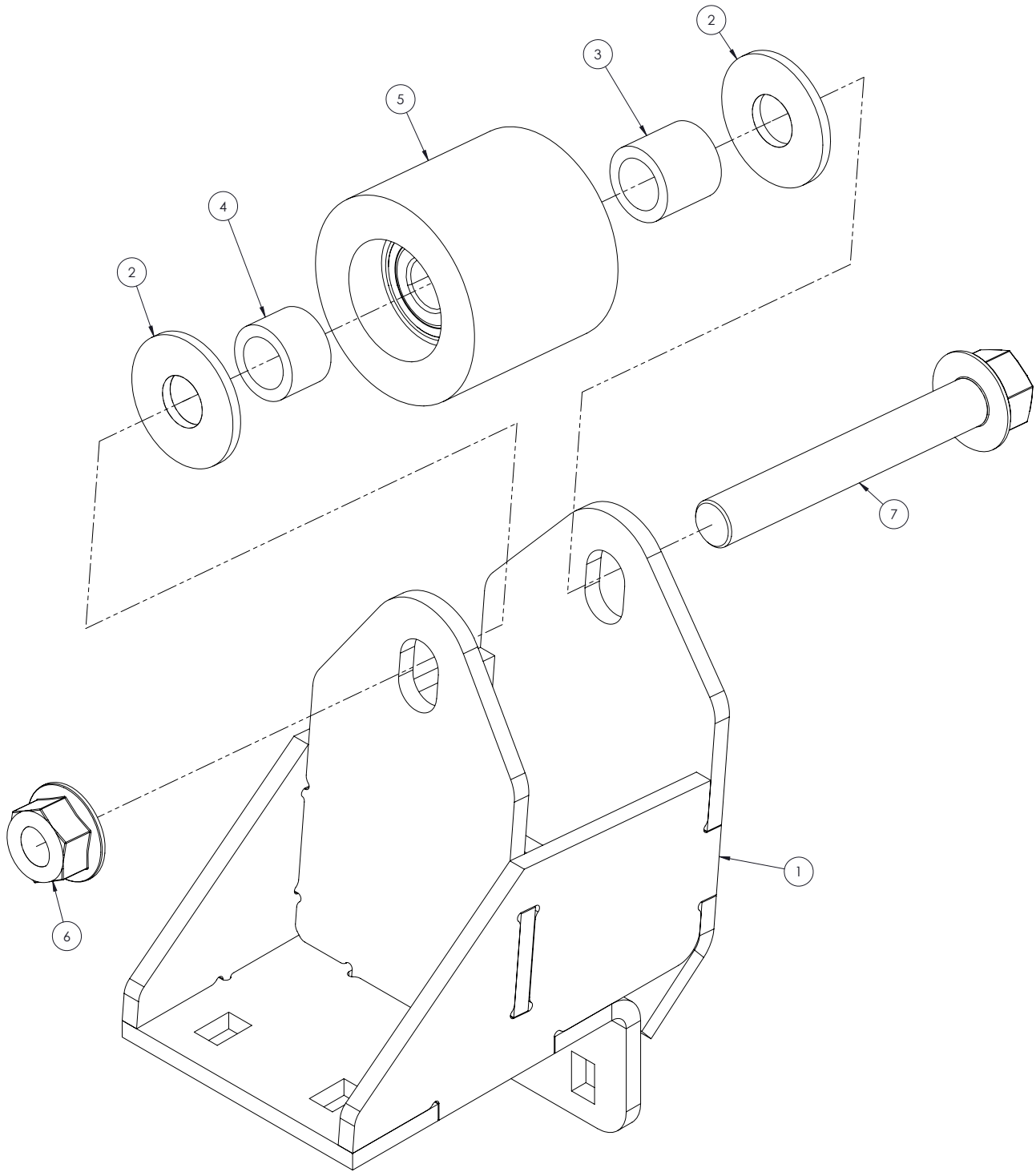
ITEM NO.	PART NUMBER	DESCRIPTION	QTY.
1	519180	MOUNT WELDMENT	1
2	582070	BEARING SPACER, TUBE	1
3	582060	SHEAVE ASSEMBLY	1
4	1131017	WASHER, FLAT	1
5	036800	WASHER, LOCK 3/4 SAE	1
6	P99440	BOLT, HHCS 3/4-10 X 5-1/2", GR8	1

GRABROLL DRIVES - COVERS ASSEMBLY



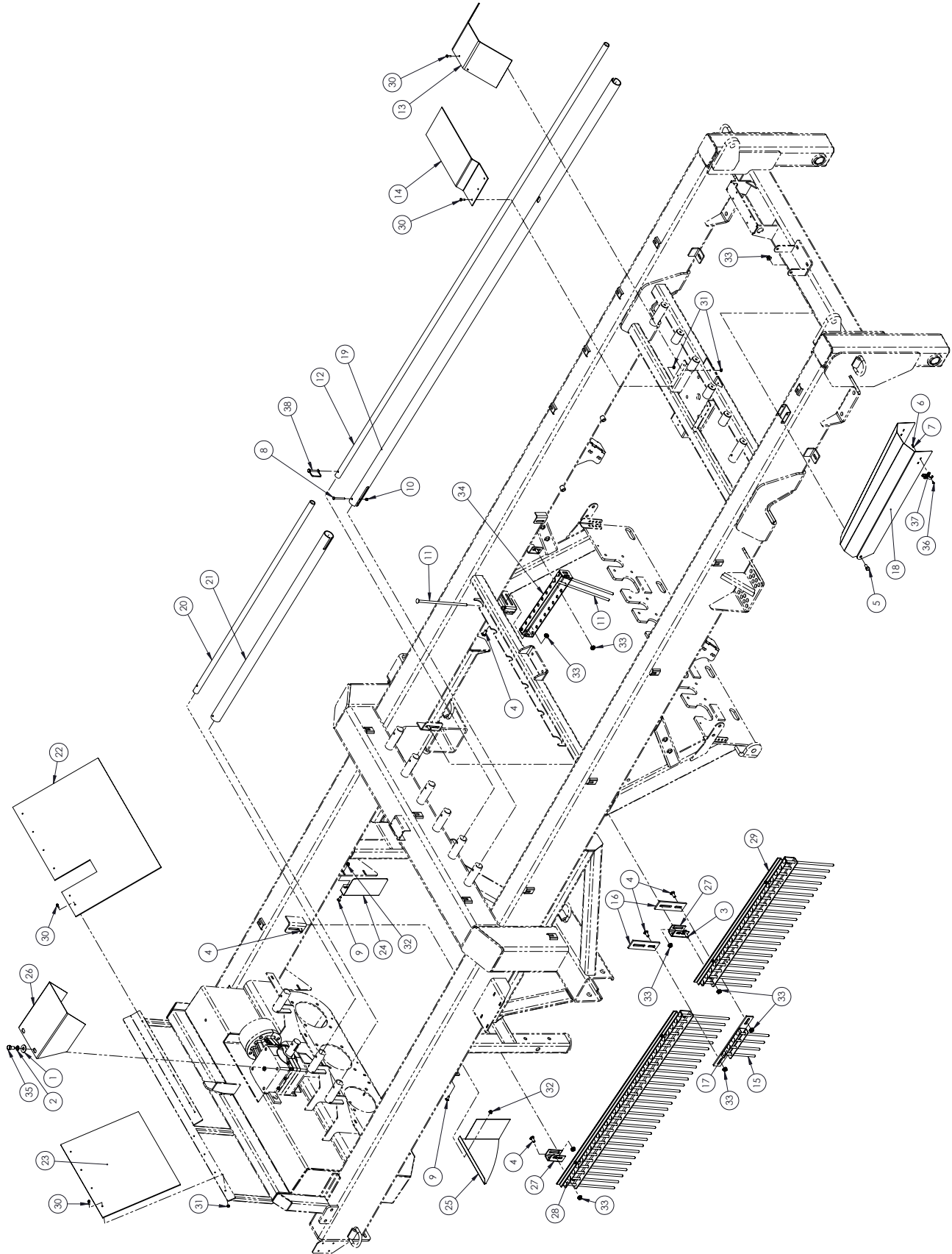
ITEM NO.	PART NUMBER	DESCRIPTION	QTY.
1	595530	MOUNT WLDT, RUBBER	1
2	021180	WASHER, LOCK 3/8	10
3	022420	BOLT, HHCS 3/8-16 X 3/4"	3
4	525490	ROD, RUBBER DEFECT. SUPT.	2
5	595580	MOUNT, SKIRT	1
6	035850	COTTER PIN, 3/16 X 2 1/2	4
7	595630	DEFLECTOR, RUBBER	1
8	254060	BOLT, CRG 5/16-18 X 1"	12
9	562020	FLAP, REAR 6812A	1
10	523890	STRAP, BACKING	1
11	035180	BOLT, CRG 3/8-16 X 1-1/4"	7
12	021190	WASHER, FLAT 3/8 STD	7
13	022920	WASHER, FLAT 5/16 STD	12
14	023620	WASHER, LOCK 5/16	12
15	023630	NUT, HEX 5/16-18 GR5 ZN	12
16	027260	NUT, HEX 3/8-16 GR5 ZN	7
17	523790	FILLER, LOWER FW	1
18	523790	FILLER, LOWER FW	1
19	607000	ROLLER SUB ASSY	1
20	523790	FLAP, LOWER F/W	1
21	607230	CLAMP, F/G GUARD	1
22	J03H1558	BOLT, CRG 3/8-16 X 1-1/2	4
23	170530	BOLT, CRG 3/8-16 X 1"	4
24	600120	NUT, HFH NYLOC 3/8-16	8

ROLLER SUB ASSEMBLY, 607000



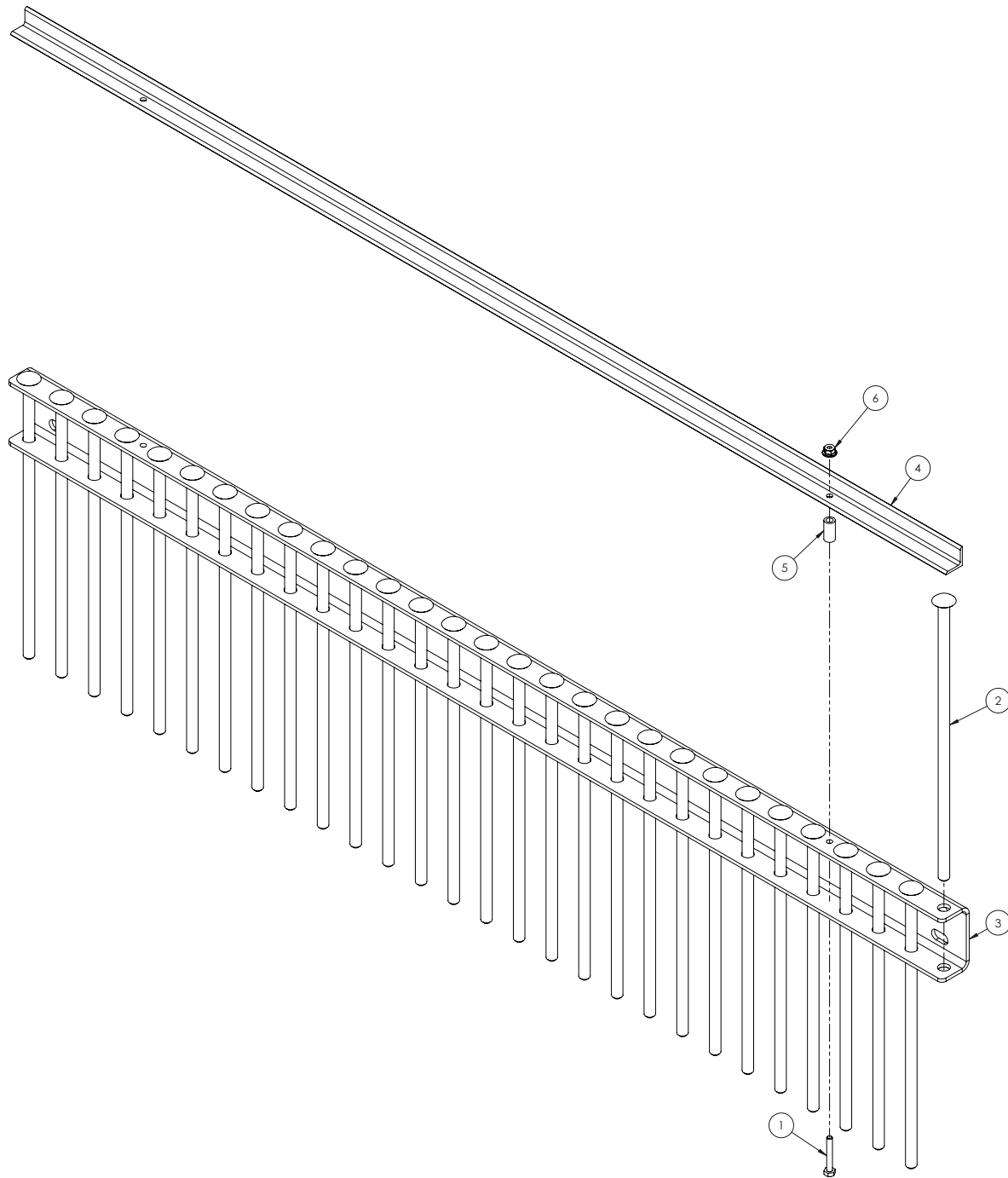
ITEM NO.	PART NUMBER	DESCRIPTION	QTY.
1	607050	ROLLER MOUNT	1
2	020430	WASHER, FLAT 5/8 STD	2
3	606970	SPACER, ROLLER	1
4	606980	SPACER, ROLLER	1
5	413970	ROLLER ASSEMBLY	1
6	600150	NUT, HFH NYLOC 5/8-11	1
7	600390	BOLT, HFH 5/8-11 X 4-1/2"	1

GUARDING & DOORS ASSEMBLY



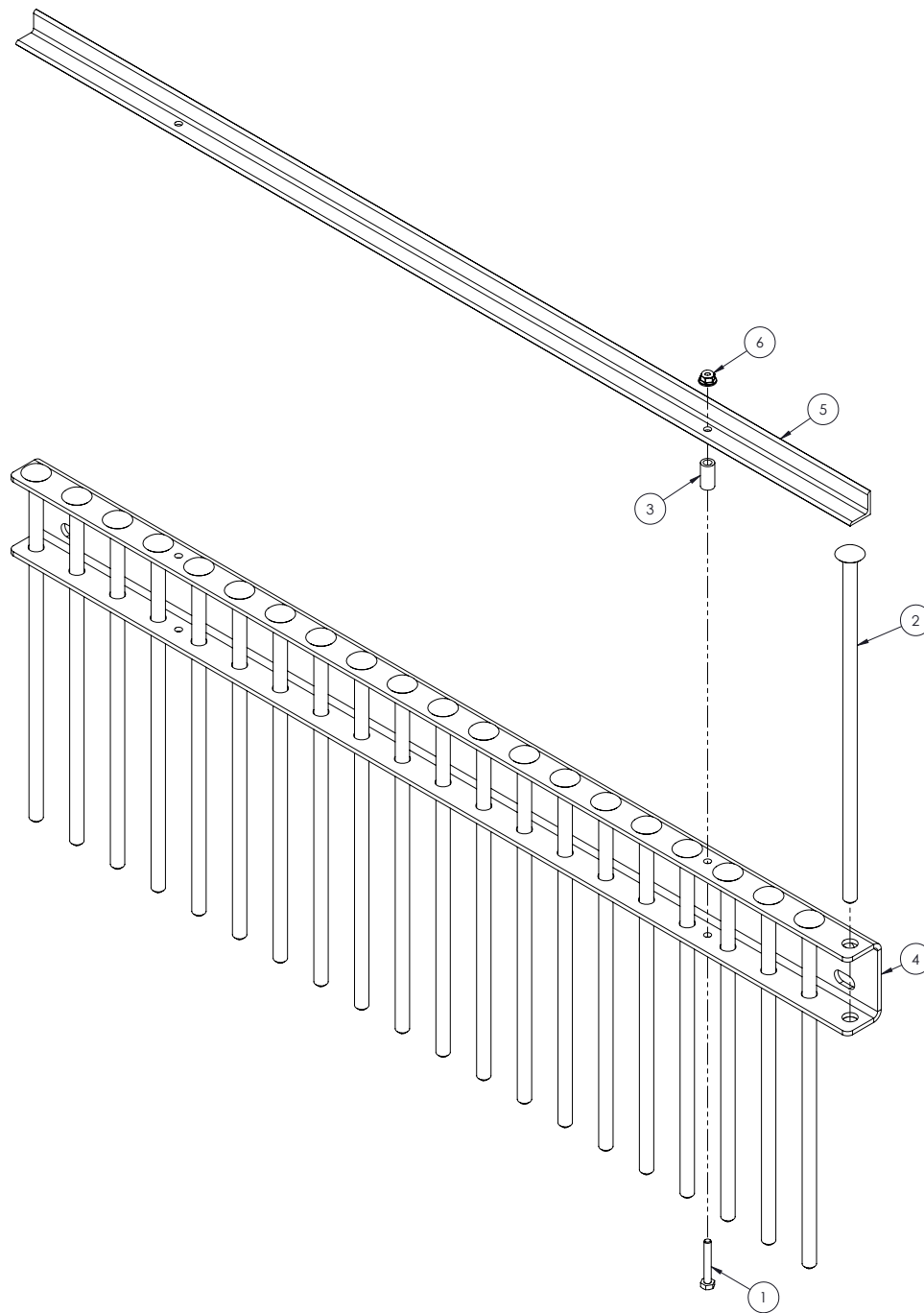
ITEM NO.	PART NUMBER	DESCRIPTION	QTY.
1	020430	WASHER, FLAT 5/8 STD	2
2	020440	WASHER, LOCK 5/8	2
3	025390	BOLT, CRG 1/2-13 X 1-3/4"	8
4	030470	BOLT, CRG 1/2-13 X 1-1/4"	24
5	031080	BOLT, HHCS 1/2-13 X 1.00	2
6	120590	NUT, HEX 10-24 GR2 ZN	4
7	120600	WASHER, LOCK #10 X 21/64 X 3/6	4
8	160230	BOLT, HHCS 5/16-18 X 3 GR5 ZN	3
9	170530	BOLT, CRG 3/8-16 X 1"	4
10	181570	NYLON INSERT LOCKNUT, 5/16-18	3
11	347540	ROD, GRATE .5 X 14.75	22
12	526690	PIPE, GRATE FRONT	4
13	526720	DEFLECTOR, RUBBER	2
14	526730	DEFLECTOR, RUBBER	2
15	532050	ROD, GRATE .5 X 9.25	8
16	532090	STRAP, GRATE MTG	4
17	532100	GRATE WLDT, AXLE	2
18	538070	SHIELD, J.S. FRONT	1
19	552250	PIPE, WIRE ENCLOSURE, GRATE 139.00	2
20	562000	PIPE, GRATE REAR	2
21	562010	PIPE, WIRE ENCLOS.	1
22	562030	GUARD, REAR DRIVE	1
23	562090	GUARD, REAR DRIVE	1
24	563090	FILLER, F.W.	1
25	563170	FILLER, FW R. FRONT	1
26	569650	SHIELD, REAR	1
27	586830	CHANNEL, 2" EXT	4
28	596380	PIN SHIELD, LONG	2
29	596390	PIN SHIELD, SHORT	2
30	600020	BOLT, HFH	22
31	600100	NUT, HFH NYLOC 1/4-20	22
32	600120	NUT, HFH NYLOC 3/8-16	4
33	600140	NUT, HFH NYLOC 1/2-13	34
34	603500	CHANNEL WLDT	2
35	990600	HHCS 5/8-11 x 1-1/4 Gr5 ZN	2
36	I159920	CSBOLT 0.3750-16x1.25x1.25-S-N	4
37	I669184R1	CLAMP, SHIELD	2
38	R18660	SNAPPER PIN .31X2.75 USABLE LENGTH	6

GUARDING & DOORS - PIN SHIELD ASSEMBLY, LONG



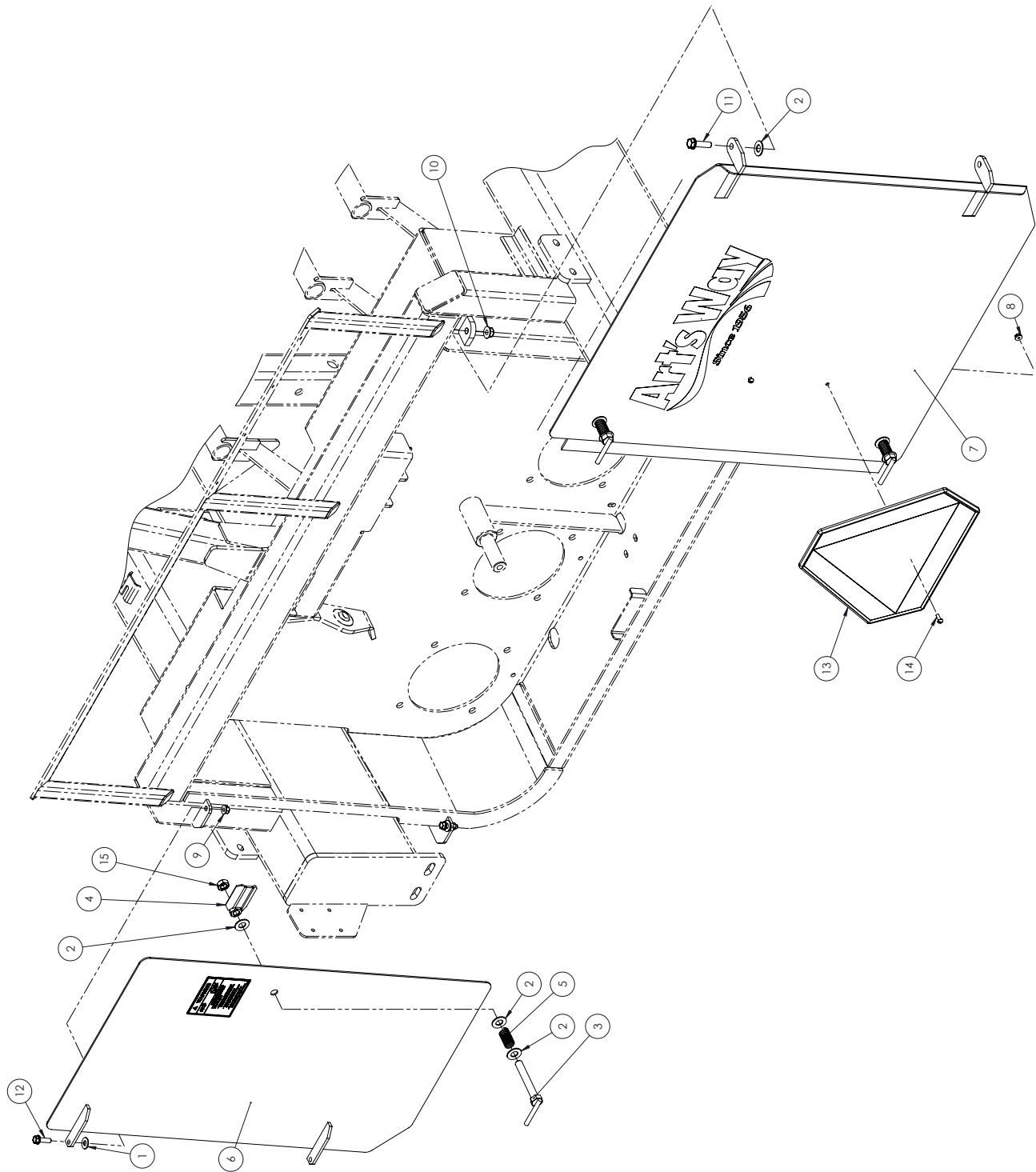
ITEM NO.	PART NUMBER	DESCRIPTION	QTY.
1	223540	HBOLT 0.2500-20x1.75x1.75-N	2
2	347540	ROD, GRATE .5 x 14.75	29
3	525550	CHANNEL, GRATE	1
4	525580	ANGLE, CAP	1
5	525590	SPACER,	2
6	600100	NUT, HFH NYLOC	2

GUARDING & DOORS - PIN SHIELD ASSEMBLY, SHORT



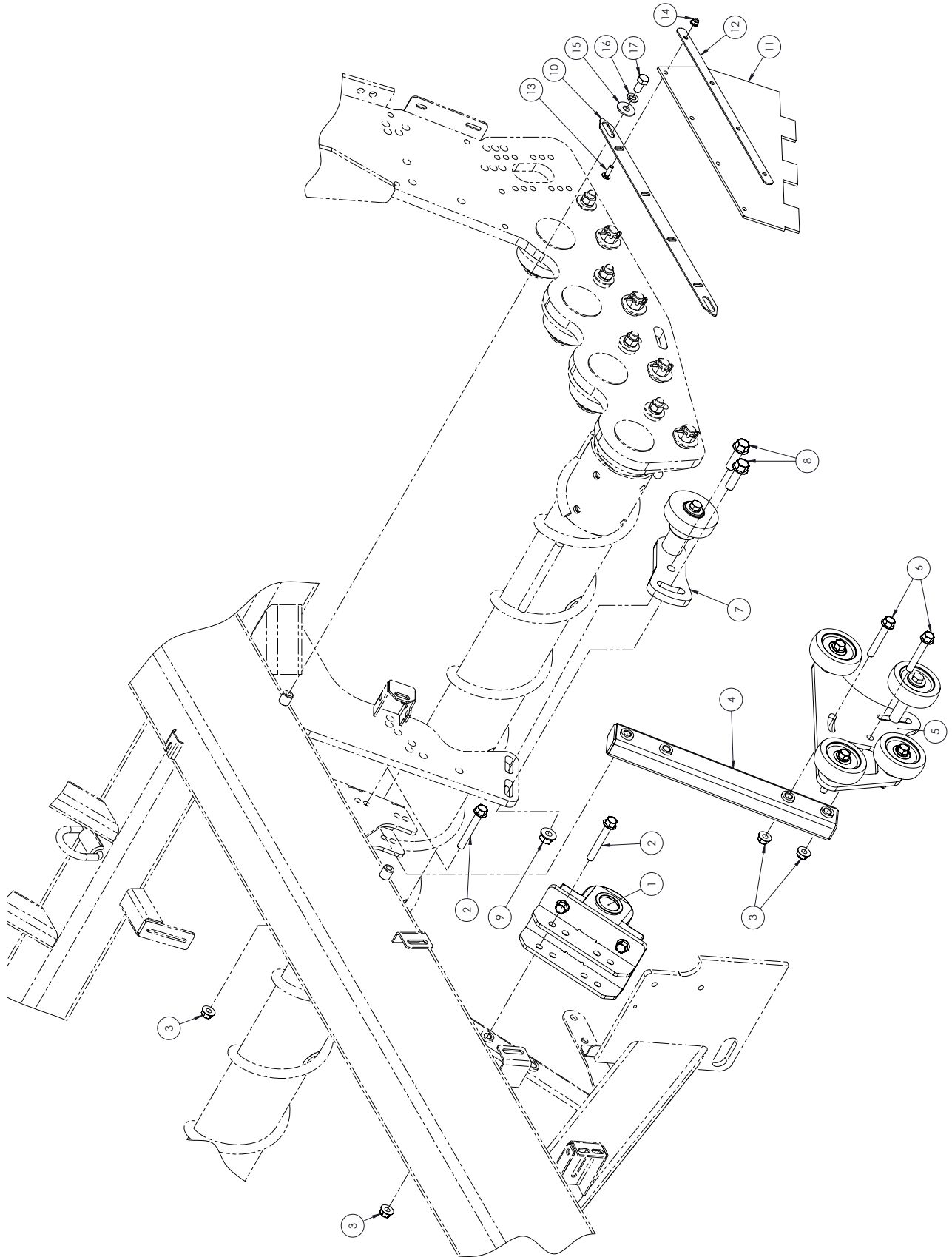
ITEM NO.	PART NUMBER	DESCRIPTION	QTY.
1	223540	HBOLT 0.2500-20x1.75x1.75-N	2
2	347540	ROD, GRATE .5 x 14.75	21
3	525590	SPACER,	2
4	559770	CHANNEL, GRATE	1
5	561840	ANGLE, CAP 41.00"	1
6	600100	NUT, HFH NYLOC	2

GUARDING & DOORS - DOORS ASSEMBLY



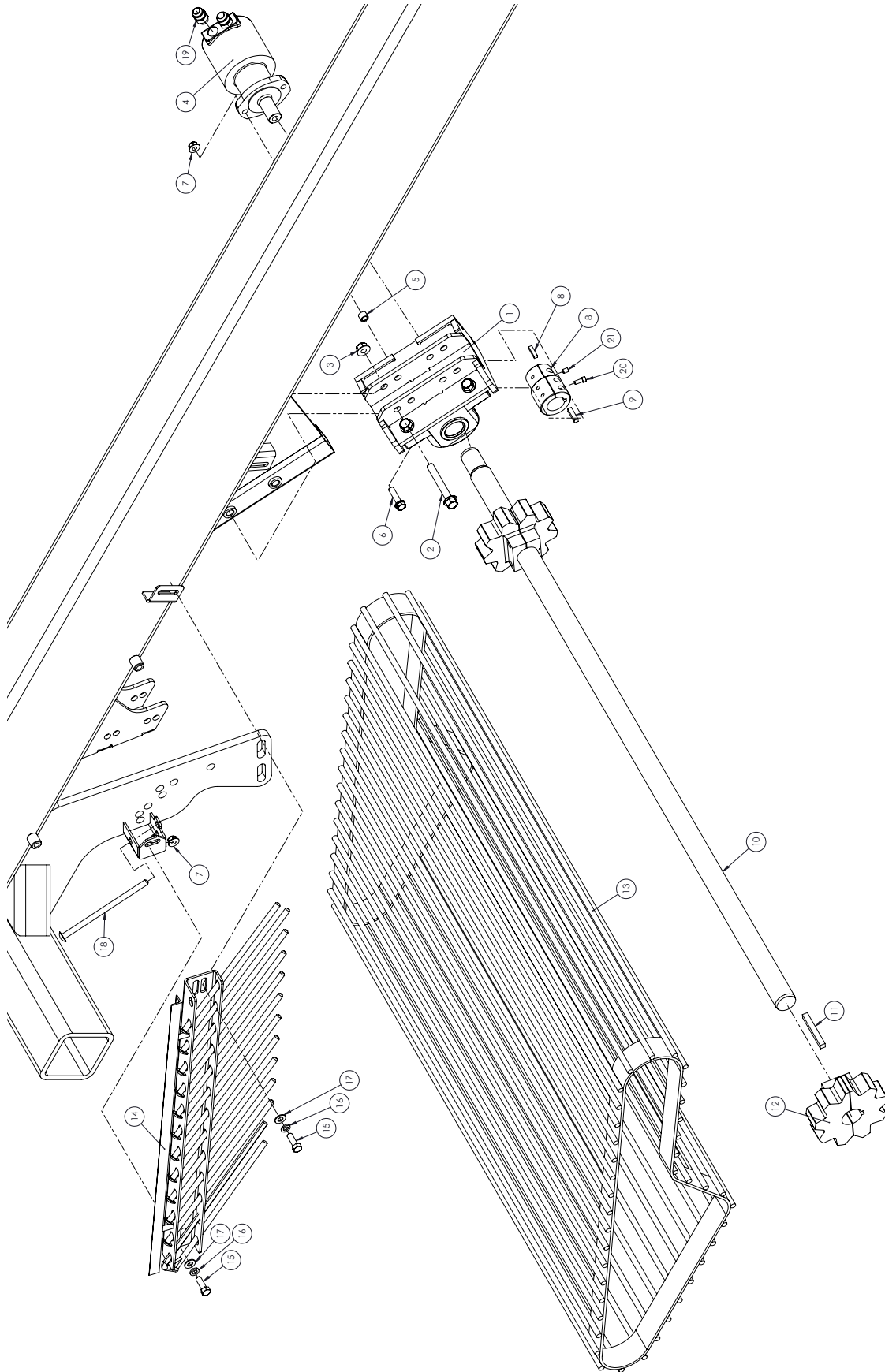
ITEM NO.	PART NUMBER	DESCRIPTION	QTY.
1	021190	WASHER, FLAT 3/8 STD	2
2	035210	WASHER, FLAT 5/8	11
3	518840	HANDLE WELDMENT, DOOR	3
4	518850	LATCH WELDMENT, DOOR	3
5	518900	SPRING, COMPRESSION	3
6	522340	DOOR WELDMENT, LH	1
7	562120	DOOR WELDMENT, RH	1
8	600100	NUT, HFH NYLOC 1/4-20	2
9	600120	NUT, HFH NYLOC 3/8-16	2
10	600140	NUT, HFH NYLOC 1/2-13	2
11	600230	BOLT, HFH 1/2-13	2
12	600280	BOLT, HFH 3/8-16 X 1-1/4"	2
13	E224138	EMBLEM, CAUTION SMV	1
14	I159920	SCREW, RHMS 1/4-20x3/4 ZN	2
15	V062140	NUT, HEX JAM 5/8-11	3

SHORT CONVEYOR ASSEMBLY 1



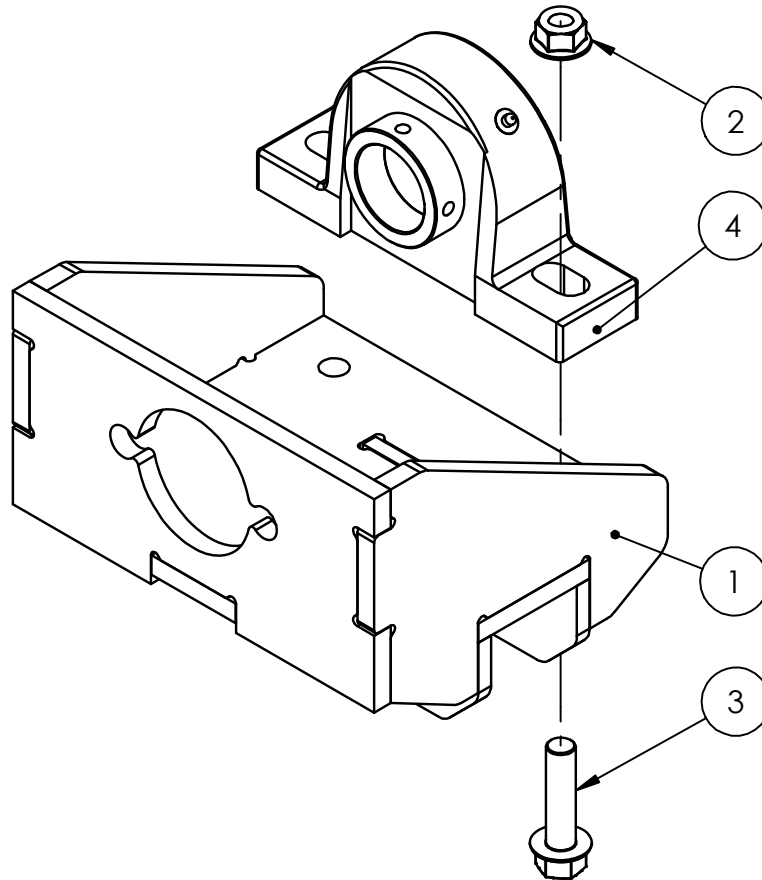
ITEM NO.	PART NUMBER	DESCRIPTION	QTY.
1	599890	BEARING MOUNT ASSY	1
2	600390	BOLT, HFH 5/8-11 X 4-1/2"	8
3	600150	NUT, HFH NYLOC 5/8-11	12
4	598850	ROLLER ARM WLDT	2
5	599901	ROLLER ASSEMBLY	1
6	600360	BOLT, HFH 5/8-11 X 4"	4
7	606150	ROLLER SUB ASM	2
8	600430	BOLT, HFH 3/4-10 X 2-1/2"	4
9	600160	NUT, HFH TOPLOCK 3/4-10	4
10	569610	PLATE, UPPER	2
11	575270	RUBBER, FILLER	2
12	569620	PLATE, RUBBER	2
13	035180	BOLT, CRG 3/8-16 X 1-1/4"	8
14	600120	NUT, HFH NYLOC 3/8-16	8
15	020430	WASHER, FLAT 5/8 STD	4
16	020440	WASHER, LOCK 5/8	4
17	990600	HHCS 5/8-11 X 1-1/4 GR5 ZN	4

SHORT CONVEYOR ASSEMBLY 2



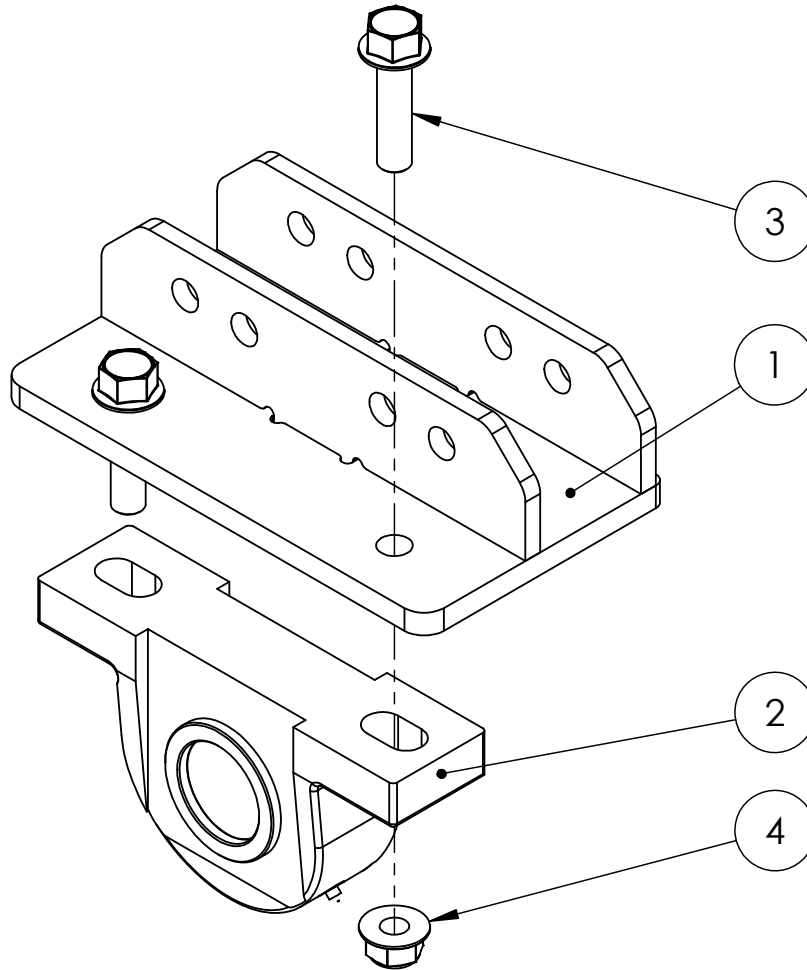
ITEM NO.	PART NUMBER	DESCRIPTION	QTY.
1	599880	MOUNT,MOTOR	1
2	600390	BOLT, HFH 5/8-11 X 4-1/2"	8
3	600150	NUT, HFH NYLOC 5/8-11	12
4	538490	MOTOR, HYD. 17.1 CID,	1
5	601680	BUSHING, MOTOR	2
6	600240	BOLT, HFH 1/2-13 X 2.00"	2
7	600140	NUT, HFH NYLOC 1/2-13	4
8	020220	KEY, SQUARE 5/16 X 1-1/4	1
9	006670	KEY, SQ 3/8 X 1-1/2	1
10	602220	SHAFT, DRIVE	1
11	156040	KEY, SQUARE 1/2 X 4	2
12	594270	SPROCKET, 9T/.50,	2
13	607200	CHAIN, BELTED	1
14	603450	GRATE ASSEMBLY, RH	1
15	014770	BOLT, HHCS 1/2-13 X 1-1/2"	4
16	005370	WASHER, LOCK 1/2	4
17	005200	WASHER, FLAT 1/2 STD	4
18	532050	ROD, GRATE .5 X 9.25	2
19	605820	FITTING, HYD STRAIGHT	2
20	609050	BOLT, SHCS 5/16-18	3
21	120970	SCREW, HSSS 3/8-16 X 1/2"	1

SHORT CONVEYOR - MOTOR MOUNT ASSEMBLY, 599880



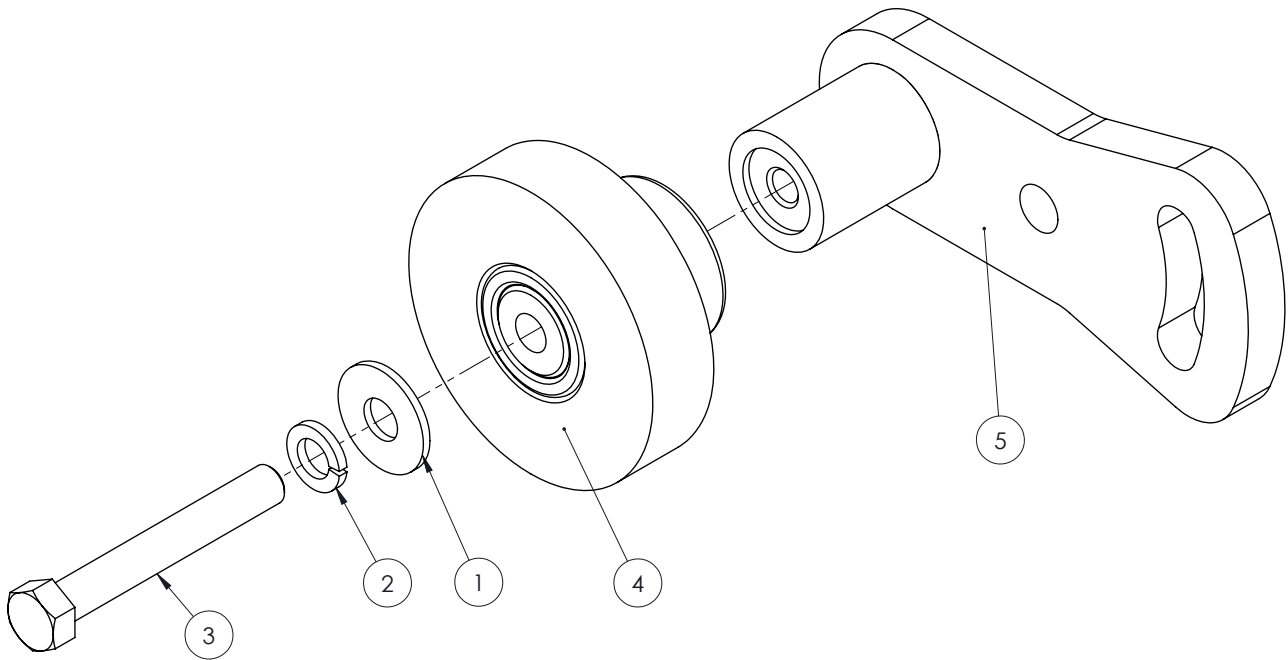
ITEM NO.	PART NUMBER	DESCRIPTION	QTY.
1	598910	MOTOR MOUNT	1
2	600150	NUT, HFH NYLOC	2
3	600310	BOLT, HFH 5/8-11	2
4	E072358	PB BEARING, 2.0 BORE	1

SHORT CONVEYOR - BEARING MOUNT ASSEMBLY, 599890



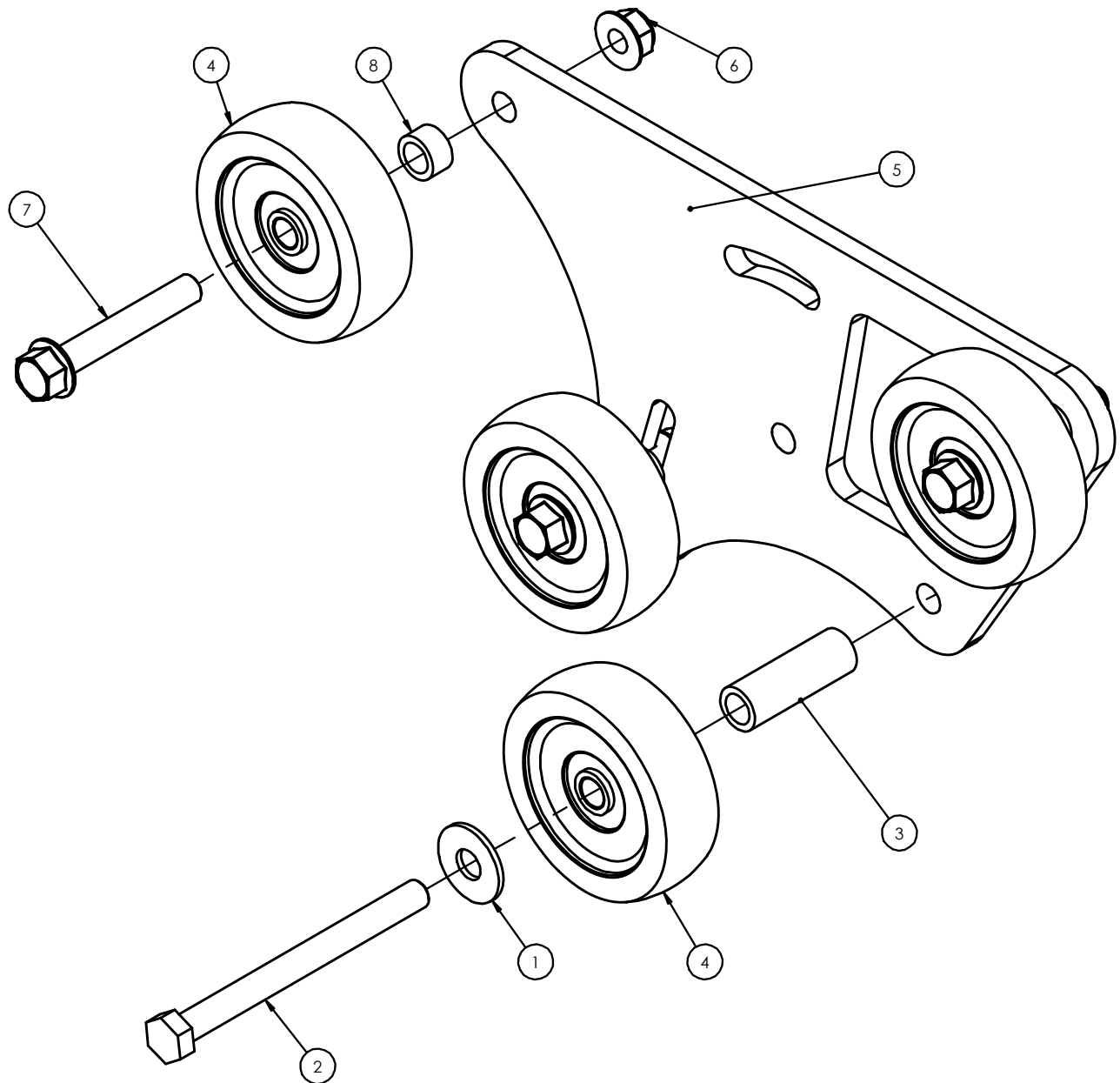
ITEM NO.	PART NUMBER	DESCRIPTION	QTY.
1	598950	BRACKET WLDT,	1
2	E072358	PB BEARING, 2.0 BORE	1
3	600310	BOLT, HFH 5/8-11	2
4	600150	NUT, HFH NYLOC	2

SHORT CONVEYOR - ROLLER ASSEMBLY, 606150



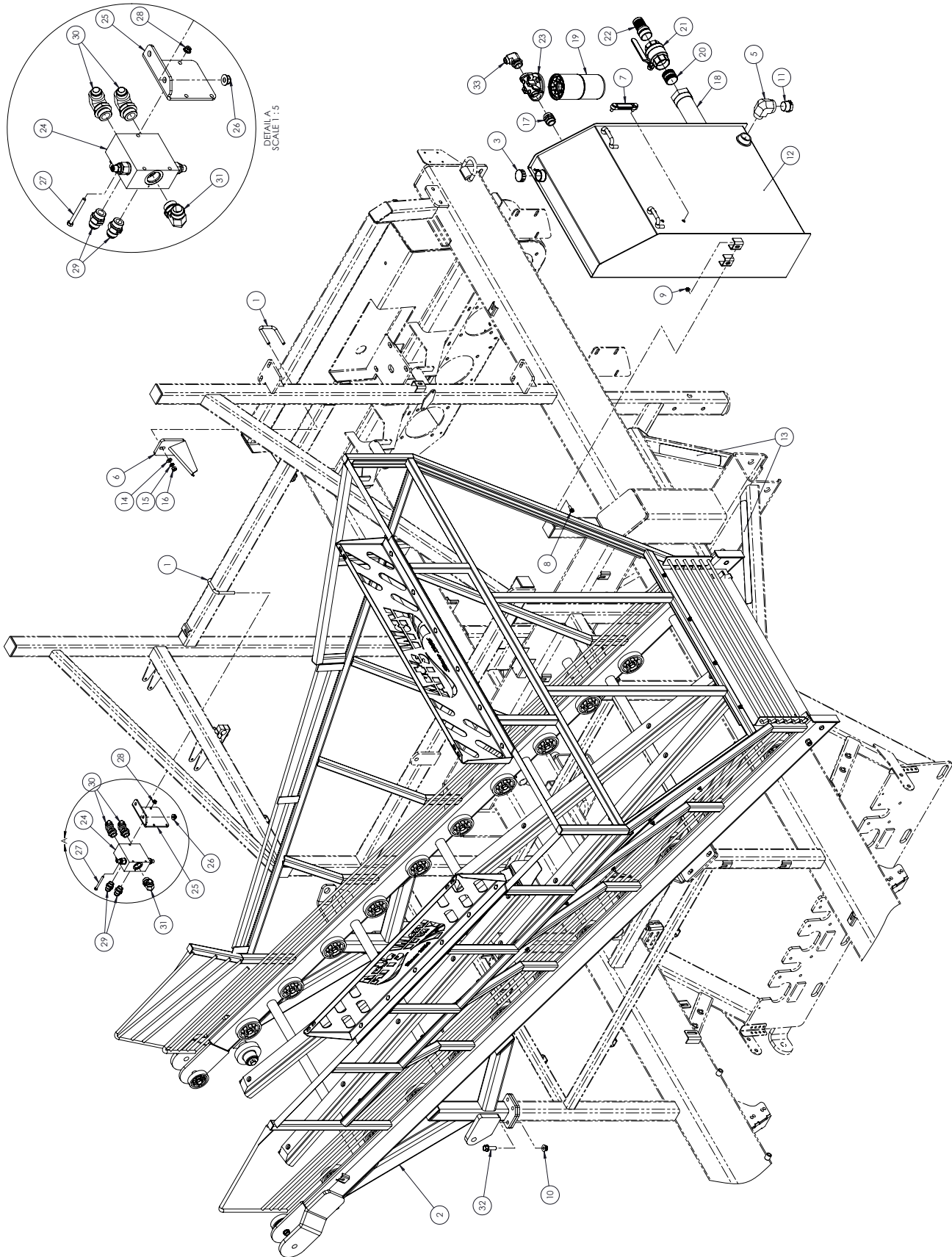
ITEM NO.	PART NUMBER	DESCRIPTION	QTY.
1	020430	WASHER, FLAT 5/8 STD	1
2	020440	WASHER, LOCK 5/8	1
3	028330	BOLT, HHCS 5/8-11 X 4-1/2"	1
4	523580	ROLLER, SOLID STEEL	1
5	606120	WELDMENT, FRONT	1

SHORT CONVEYOR - MULTI-ROLLER ASSEMBLY, 599900



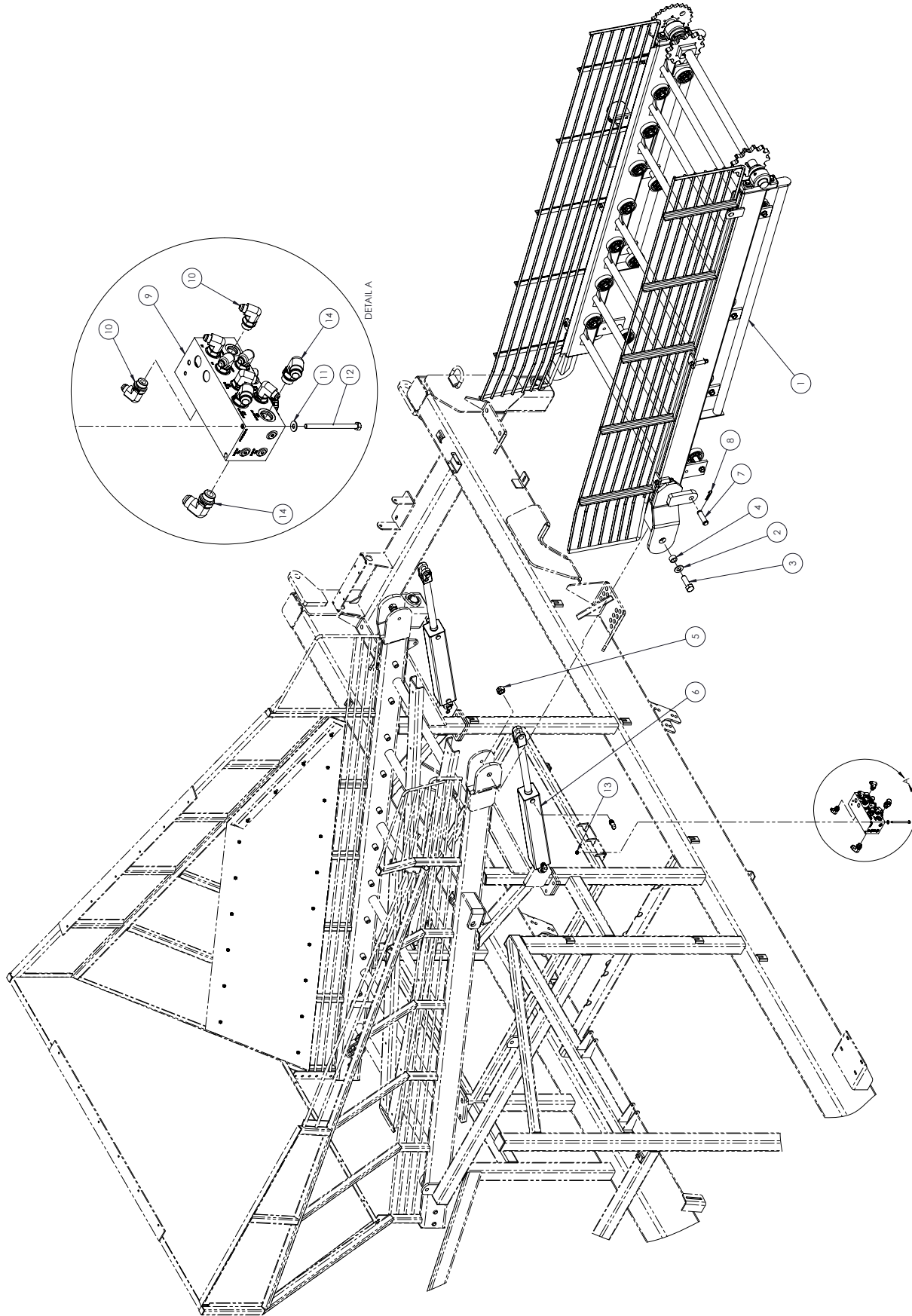
ITEM NO.	PART NUMBER	DESCRIPTION	QTY.
1	020430	WASHER,FLAT 5/8 STD	1
2	387680	BOLT, HHCS 5/8-11X7 GR8	1
3	532770	SPACER,STEEL, .681D X 2.94	1
4	595650	CONVEYOR ROLLER	4
5	598700	ROLLER MOUNT	1
6	600150	NUT, HFH NYLOC	4
7	600360	BOLT, HFH 5/8-11	3
8	R66183	TUBE, SPACER	3

BEEF & HYDRAULIC TANK ASSEMBLY



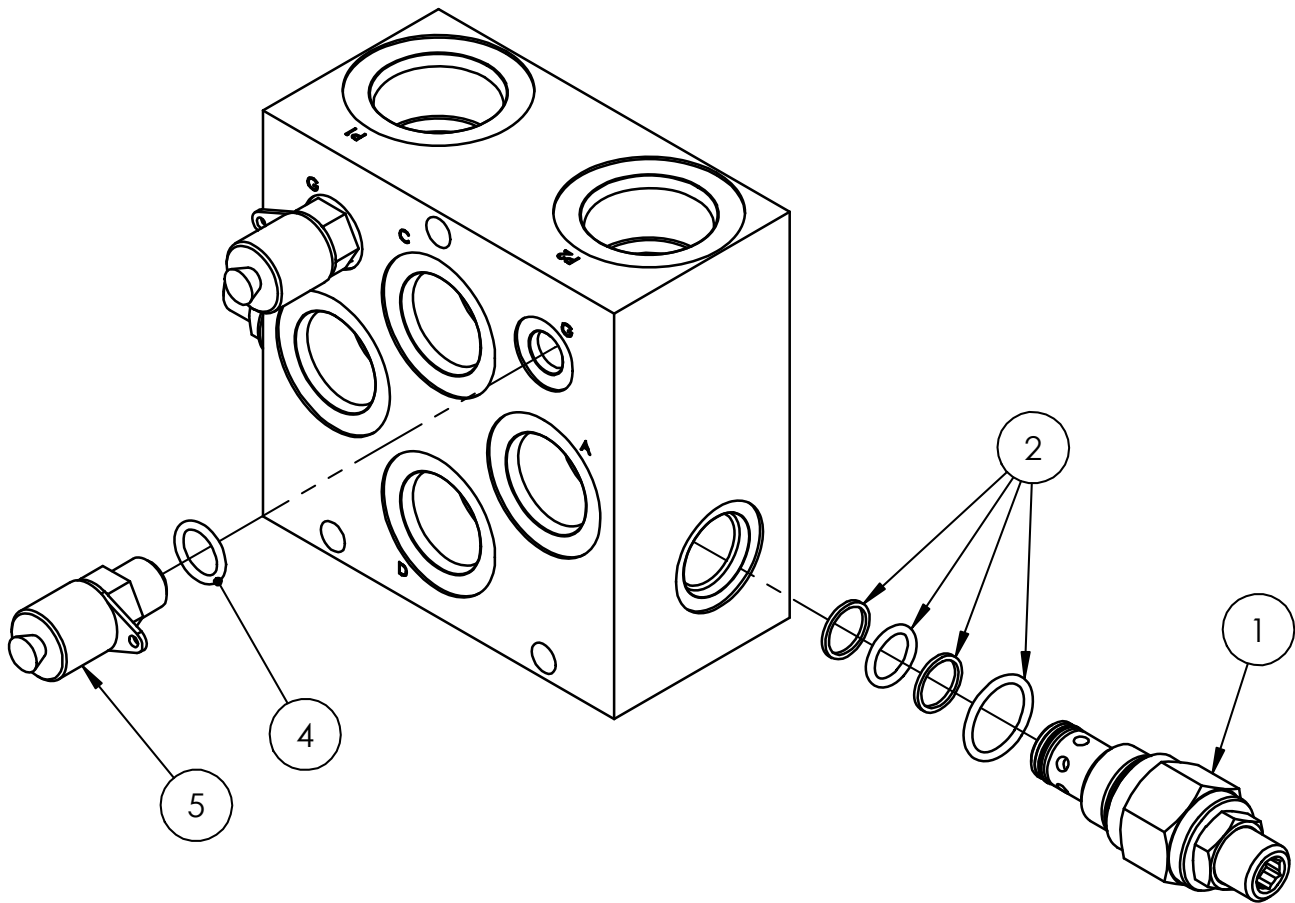
ITEM NO.	PART NUMBER	DESCRIPTION	QTY.
1	468370	BOLT, U 1/2-13 X 2.06 X 4.25	2
2	527190	BEET TANK ASM	1
3	601490	CAP, HYDRAULIC	1
5	595220	FITTING, HYD 90° STREET	1
6	596660	CAP GUARD WLDT	1
7	596790	GAUGE, SIGHT/TEMP	1
8	600050	BOLT, HFH 3/8-16 X 1.00"	4
9	600120	NUT, HFH NYLOC 3/8-16	5
10	600150	NUT, HFH NYLOC 5/8-11	10
11	G213193	FITTING, HYD PLUG	1
12	601250	TANK, HYD	1
13	117720	TAPE, ANTI SKID	4
14	005200	WASHER, FLAT 1/2 STD	2
15	005370	WASHER, LOCK 1/2	2
16	005360	NUT, HEX 1/2-13	2
17	606090	FITTING, HYD STRAIGHT	1
18	530620	SUCTION STRAINER	1
19	606200	ELEMENT, HYD. OIL FILTER	1
20	601170	FITTING, CLOSE NIPPLE	1
21	601160	VALVE, 2" BALL	1
22	601190	FITTING, HYD STRAIGHT	1
23	606080	HEAD, RETURN FILTER	1
24	601100	VALVE ASSEMBLY	1
25	602230	BRACKET, DUAL	1
26	600140	NUT, HFH NYLOC 1/2-13	2
27	E672388	BOLT, HHCS 5/16-18 X 3-1/4"	3
28	600110	NUT, HFH NYLOC 5/16-18	3
29	MP09.74127	FITTING, HYD STRAIGHT	4
30	506540	FITTING, HYD 90°	2
31	530160	FITTING, HYD 90°	1
32	600540	BOLT, HFH 5/8-11	10
33	605570	FITTING, HYD 90°	1

BOOM ASSEMBLY



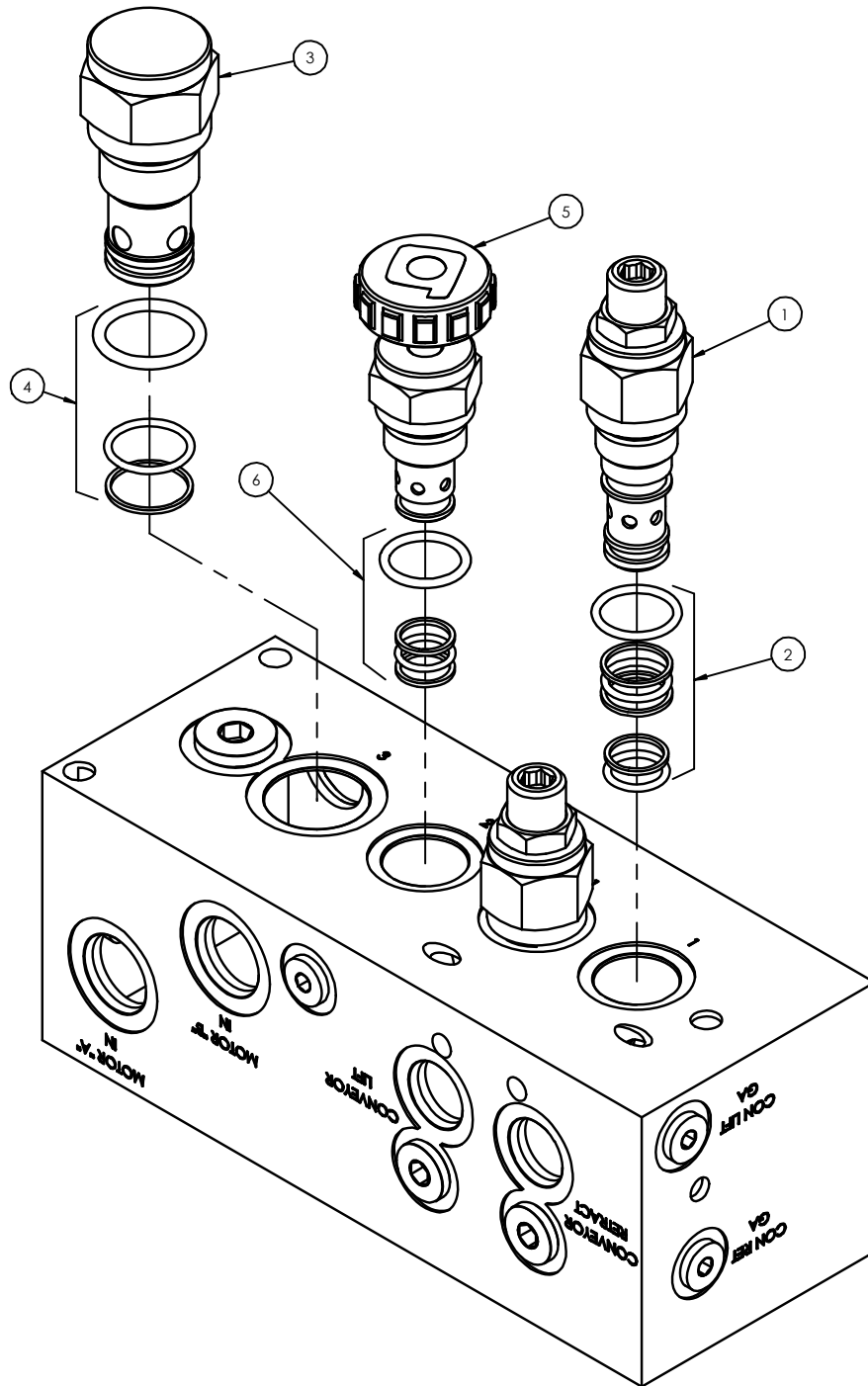
ITEM NO.	PART NUMBER	DESCRIPTION	QTY.
1	561110	CONVEYOR ASSEMBLY	1
2	042180	WASHER, FLAT 1 X 2 X 3/16	2
3	R66338	BOLT, HHCS 1-8 X 3"	2
4	524040	BUSHING, ELEVATOR PIVOT	2
5	990510	NUT, LOCK 2-WAY 1-8	2
6	525330	CYLINDER, HYD 3 X 20	2
7	596860	PIN, CLEVIS	4
8	051670	HAIRPIN, .148 X 2-11/16	4
9	601280	MANIFOLD, HYD	1
10	I2185128	FITTING, HYD 90°	12
11	023260	WASHER, FLAT 1/4 STD	3
12	012820	BOLT, HHCS 5/16-18 X 5"	3
13	600110	NUT, HFH NYLOC 5/16-18	3
14	MP907670	FITTING, HYD 90°	4

VALVE ASSEMBLY, DUAL RELIEF



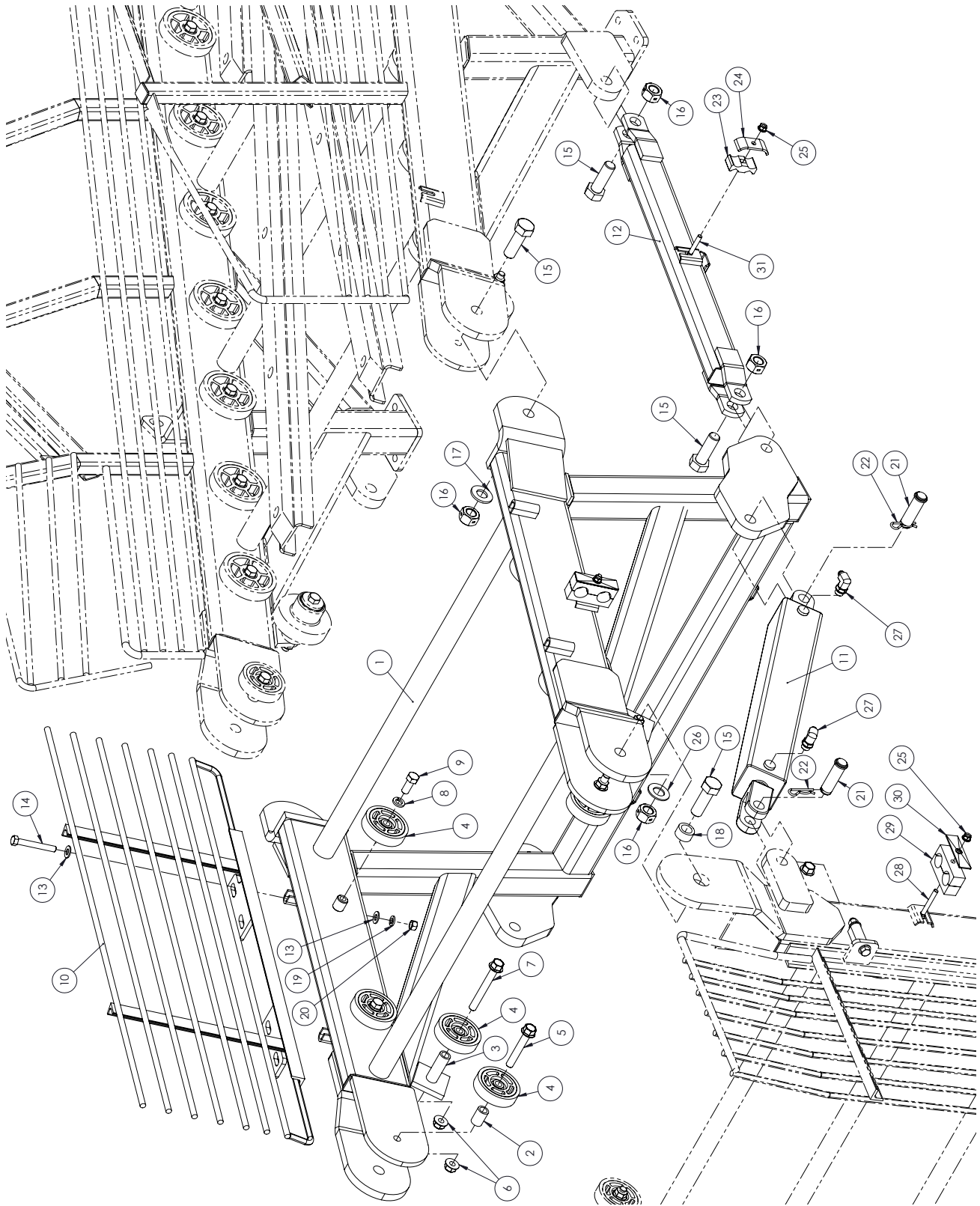
ITEM NO.	PART NUMBER	DESCRIPTION	QTY.
1	601110	VALVE, RELIEF	2
2	601430	KIT, SEAL	1
3	601330	FITTING, HYD	2
4	601340	O-RING	1

VALVE ASSEMBLY, CONTROL MANIFOLD



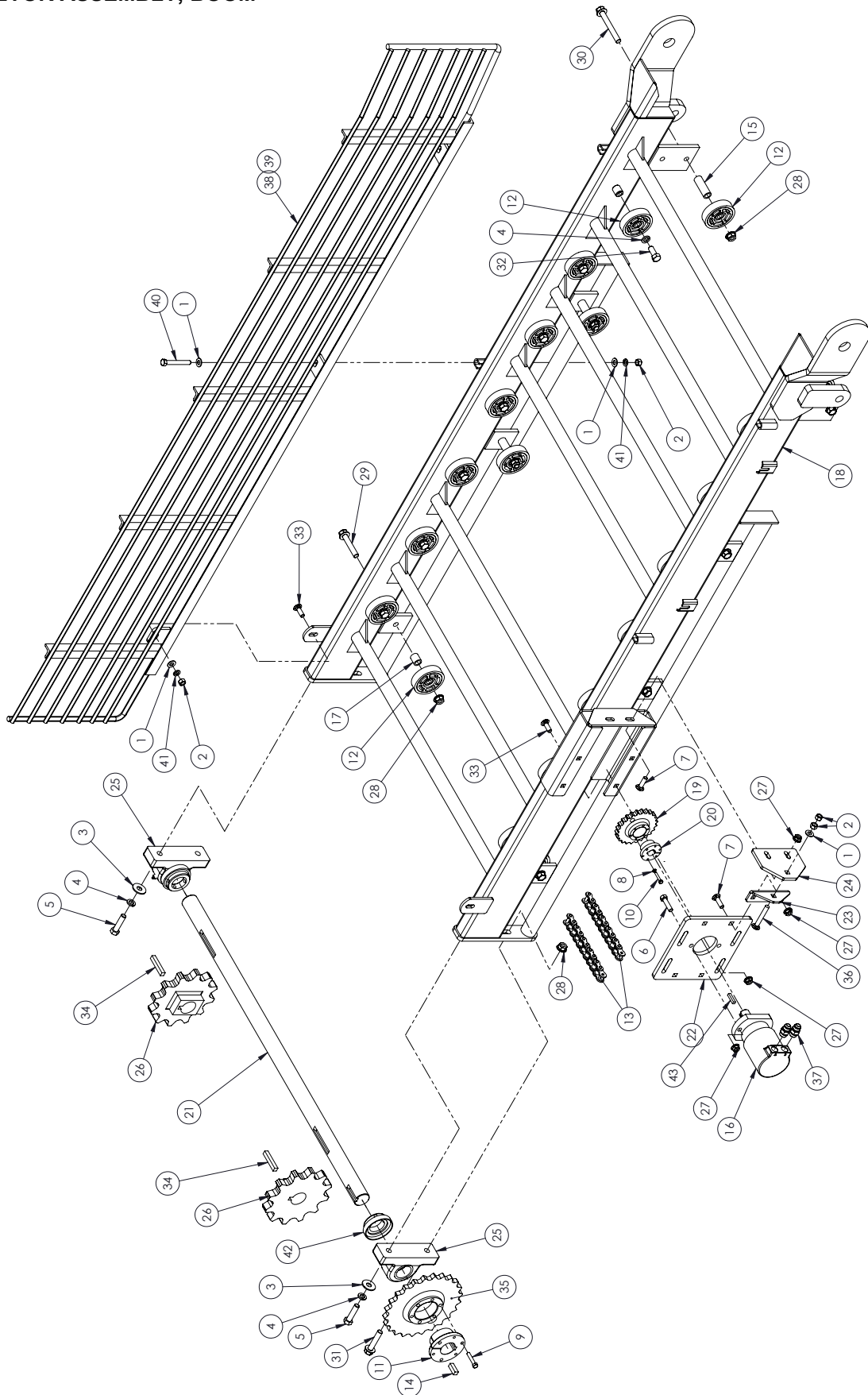
ITEM NO.	PARTNUMBER	DESCRIPTION	QTY.
1	601390	COUNTER BALANCE VALVE	2
2	601395	KIT, SEAL	1
3	601370	CHECK VALVE	1
4	601375	KIT, SEAL	1
5	601380	VALVE, CARTRIDGE	1
6	601385	KIT, SEAL	1

BOOM EXTENSION ASSEMBLY - (OPTIONAL)



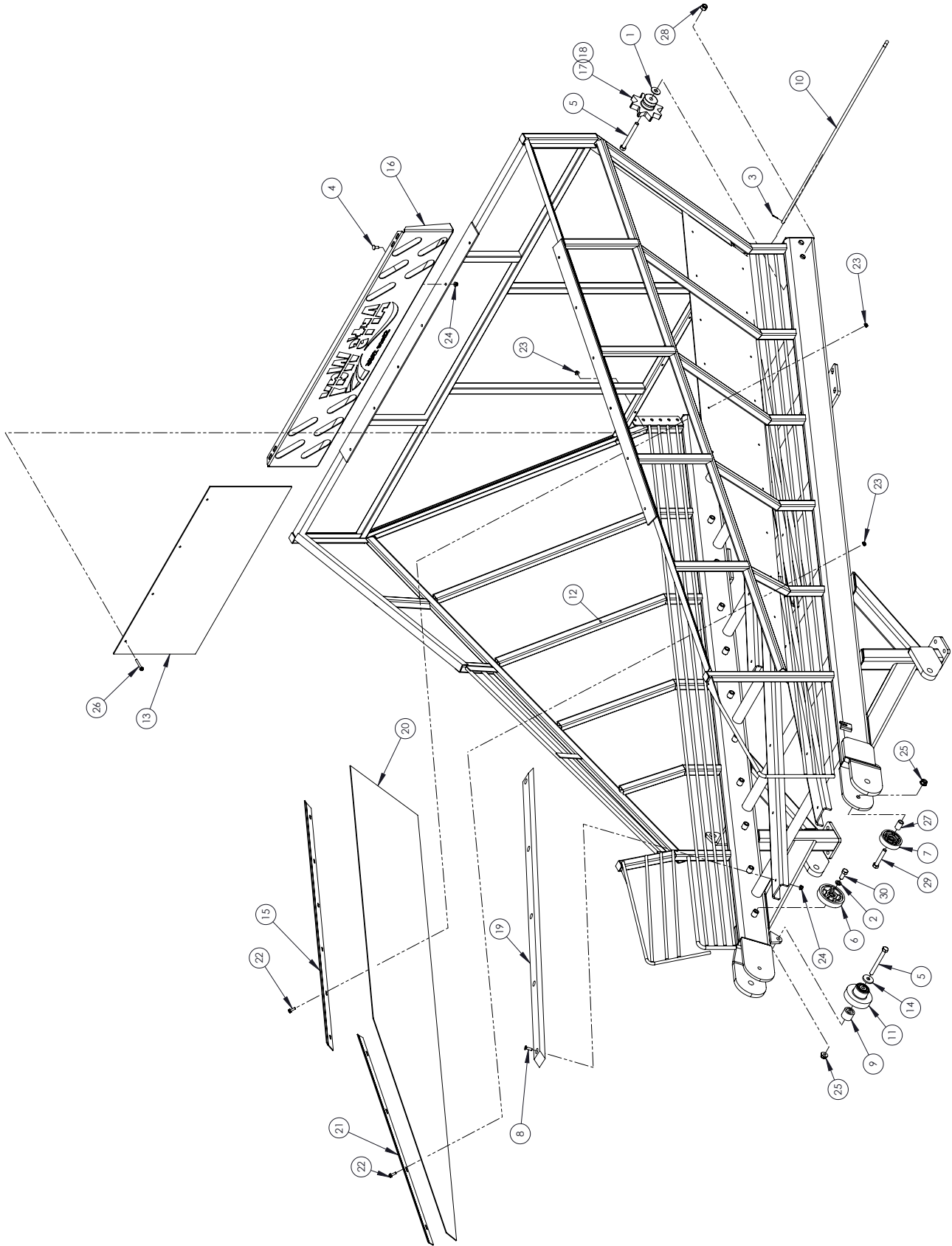
ITEM NO.	PARTNUMBER	DESCRIPTION	QTY.
1	524010	BOOM EXTENSION WLDT	1
2	E724252	SPACER	2
3	532770	SPACER,STEEL	2
4	343280	ROLLER, RUBBER 4" DIA	8
5	600360	BOLT, HFH 5/8-11 X 4"	2
6	600150	NUT, HFH NYLOC 5/8-11	4
7	600410	BOLT, HFH 5/8-11 X 5"	2
8	020440	WASHER, LOCK 5/8	4
9	990610	BOLT, HHCS 5/8-11 X 1-1/2"	4
10	530540	GRATE WLDT,	2
11	525330	CYL. 3" x 20" DOUBLE ACTING HYD.	2
12	524100	EXTENSION ARM	2
13	005200	WASHER, FLAT 1/2 STD	8
14	031870	BOLT, HHCS 1/2-13 X 3-3/4"	4
15	R66338	BOLT, HHCS 1-8 X 3"	8
16	990510	NUT, LOCK 2-WAY 1-8	8
17	042180	WASHER, FLAT 1 x 2 x 3/16	2
18	524040	BUSHING, ELEVATOR PIVOT	2
19	005370	WASHER, LOCK 1/2	4
20	005360	NUT, HEX 1/2-13	4
21	596860	PIN, CLEVIS	4
22	051670	HAIRPIN, .148 x 2-11/16	4
23	527700	CLAMP, HOSE	2
24	527680	BAR, HOSE CLAMP	2
25	600120	NUT, HFH NYLOC 3/8-16	18
26	1107389	WASHER, FLAT 1 SAE	2
27	I2185128	FITTING, HYD 90°	4
28	033430	BOLT, CRG 3/8-16 x 3"	16
29	605510	CLAMP, HYD HOSE	16
30	605520	COVER, HOSE CLAMP	16
31	117550	BOLT, CRG 3/8-16 x 2-3/4"	2

CONVEYOR ASSEMBLY, BOOM



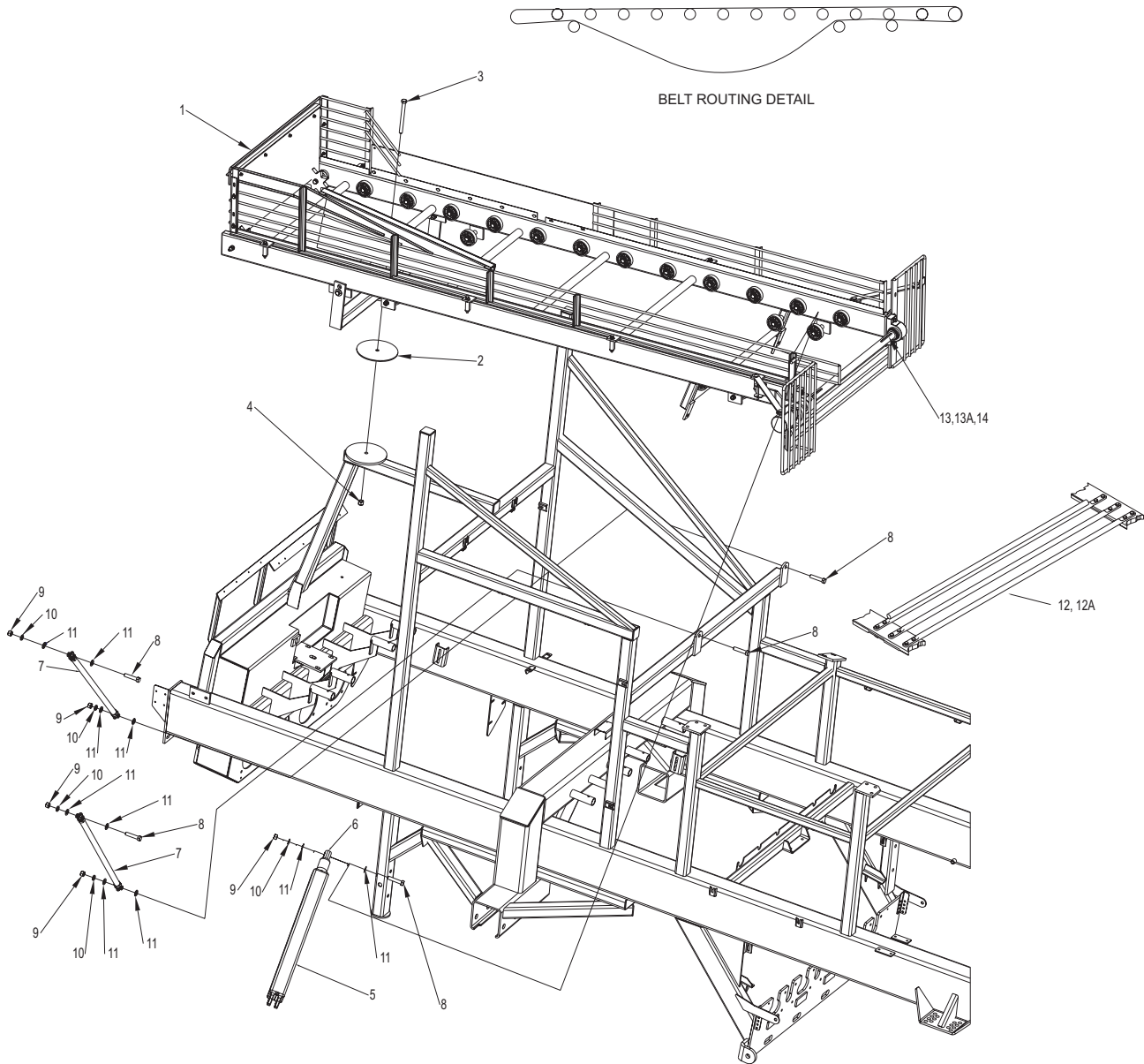
ITEM NO.	PART NUMBER	DESCRIPTION	QTY.
1	005200	WASHER, FLAT 1/2 STD	11
2	005360	NUT, HEX 1/2-13	8
3	020430	WASHER, FLAT 5/8 STD	2
4	020440	WASHER, LOCK 5/8	16
5	023110	BOLT, HHCS 5/8-11 X 2-1/2	2
6	023950	BOLT, HHCS 1/2-13 X 2"	2
7	025390	BOLT, CRG 1/2-13 X 1-3/4"	4
8	029440	WASHER, LOCK 1/4 SAE	3
9	037790	BOLT, HHCS 3/8-16 X 2	3
10	047000	BOLT, HHCS 1/4-20 X 1-1/2	3
11	251220	BUSHING, QD, SF 2" BORE, 1/2" KW	1
12	343280	ROLLER, RUBBER 4" DIA	22
13	462400	CHAIN, ROLLER	2
14	525280	KEY, SQUARE 1/2 X 1 1/2	1
15	532770	SPACER,STEEL	6
16	538500	MOTOR, HYD, 20.6 CID	1
17	556020	SPACER,	2
18	558630	CONVEYOR WELDMENT	1
19	558640	SPROCKET	1
20	558650	BUSHING, QD, SH 1.25" BORE, 1.31" KW	1
21	558660	SHAFT, DRIVE	1
22	558670	PLATE, BOOM MOTOR	1
23	558680	ANGLE, TAKE-UP	1
24	558690	BRACKET, BOLT-ON	1
25	595960	BEARING, 2.0 W/LC	2
26	599920	SPROCKET, 12T/ 2.0 B	2
27	600140	NUT, HFH NYLOC 1/2-13	10
28	600150	NUT, HFH NYLOC 5/8-11	10
29	600380	BOLT, HFH 5/8-11	2
30	600410	BOLT, HFH 5/8-11 X 5"	6
31	600460	BOLT, HFH 5/8-11	2
32	990610	BOLT, HHCS 5/8-11 X 1-1/2"	14
33	E096046	BOLT, CRG 1/2-13 X 1-1/2	6
34	E388049	KEY, SQUARE 1/2 X 3	2
35	P99649	SPROCKET	1
36	V061802	BOLT, CRG 1/2-13 X 3-1/2	1
37	I2185062	FITTING, HYD STRAIGHT	2
38	527220	GRATE WELDMENT, FRONT	1
39	527240	GRATE WELDMENT, FRONT	1
40	031870	BOLT, HHCS 1/2-13 X 3-3/4"	4
41	005370	WASHER, LOCK 1/2	6
42	476410	COLLAR, PROT., LOCK	2
43	021630	KEY,SQUARE 5/16 X 1-1/2"	1

TANK ASSEMBLY



ITEM NO.	PART NUMBER	DESCRIPTION	QTY.
1	020430	WASHER, FLAT 5/8 STD	2
2	020440	WASHER, LOCK 5/8	22
3	023090	PIN, COTTER 3/32 X .75	6
4	170530	BOLT, CRG 3/8-16 X 1"	12
5	201660	BOLT, HHCS 5/8-11 X 6" GR5 ZN	4
6	247100	ROLLER, RUBBER 5" DIA	22
7	343280	ROLLER, RUBBER 4" DIA	2
8	395840	SCREW, FCHMS 3/8-16X1-1/4 GR5 ZN	20
9	516560	STANDOFF	2
10	522790	ROD, LH SIDE	6
11	523580	ROLLER, SOLID STEEL	2
12	523740	TANK WLDT,	1
13	523950	FLAP, RUBBER ELEV. END	1
14	526490	CAP, ROLLER SEAL	2
15	539580	STRIP, BACKER	1
16	539591	PANEL, HOPPER	2
17	551380	SPROCKET, IDLER 50MM	2
18	551390	SPROCKET, IDLER 56MM	2
19	609320	STRIP, WEAR UHMW 6'	4
20	599860	LINER, 1PC TANK	1
21	599870	STRIP, SHORT BACKER	1
22	600060	BOLT, HFH 5/16-18 X 1"	19
23	600110	NUT, HFH NYLOC 5/16-18	23
24	600120	NUT, HFH NYLOC 3/8-16	32
25	600150	NUT, HFH NYLOC 5/8-11	4
26	600270	BOLT, HFH 5/16-18	4
27	E724252	SPACER	2
28	I19508R1	NUT, LOCK 5/8-11	2
29	I271729	BOLT, HHCS 5/8-11 X 3 1/2 GR5 ZN	2
30	990610	BOLT, HHCS 5/8-11 X 1-1/2"	22

TRANSFER CONVEYOR ASSEMBLY



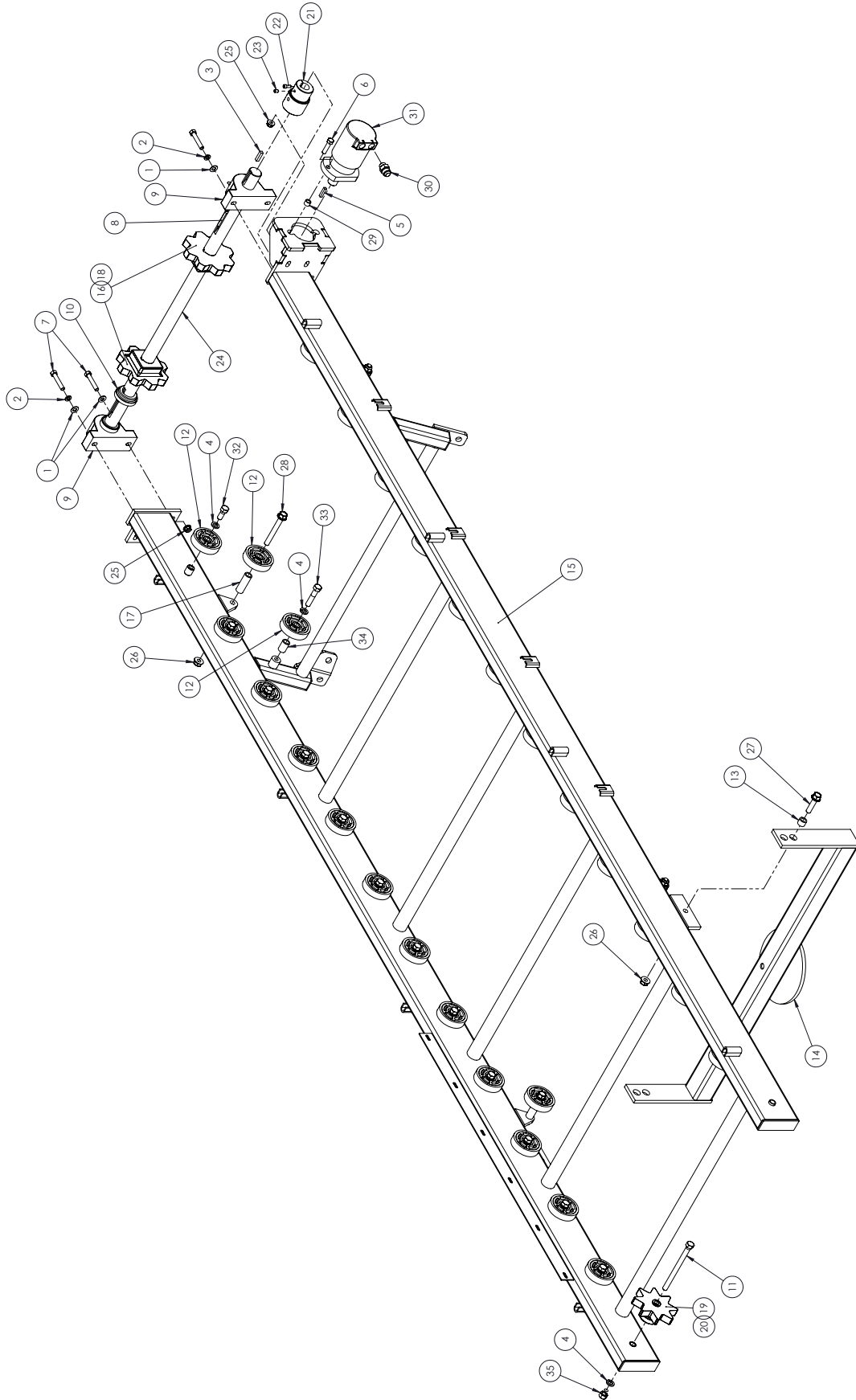
BELT ROUTING DETAIL

SPACING TO CENTER & CLEAR DRAPER CHAIN BELT.

SPROCKET & IDLER SPROCKET DETAIL

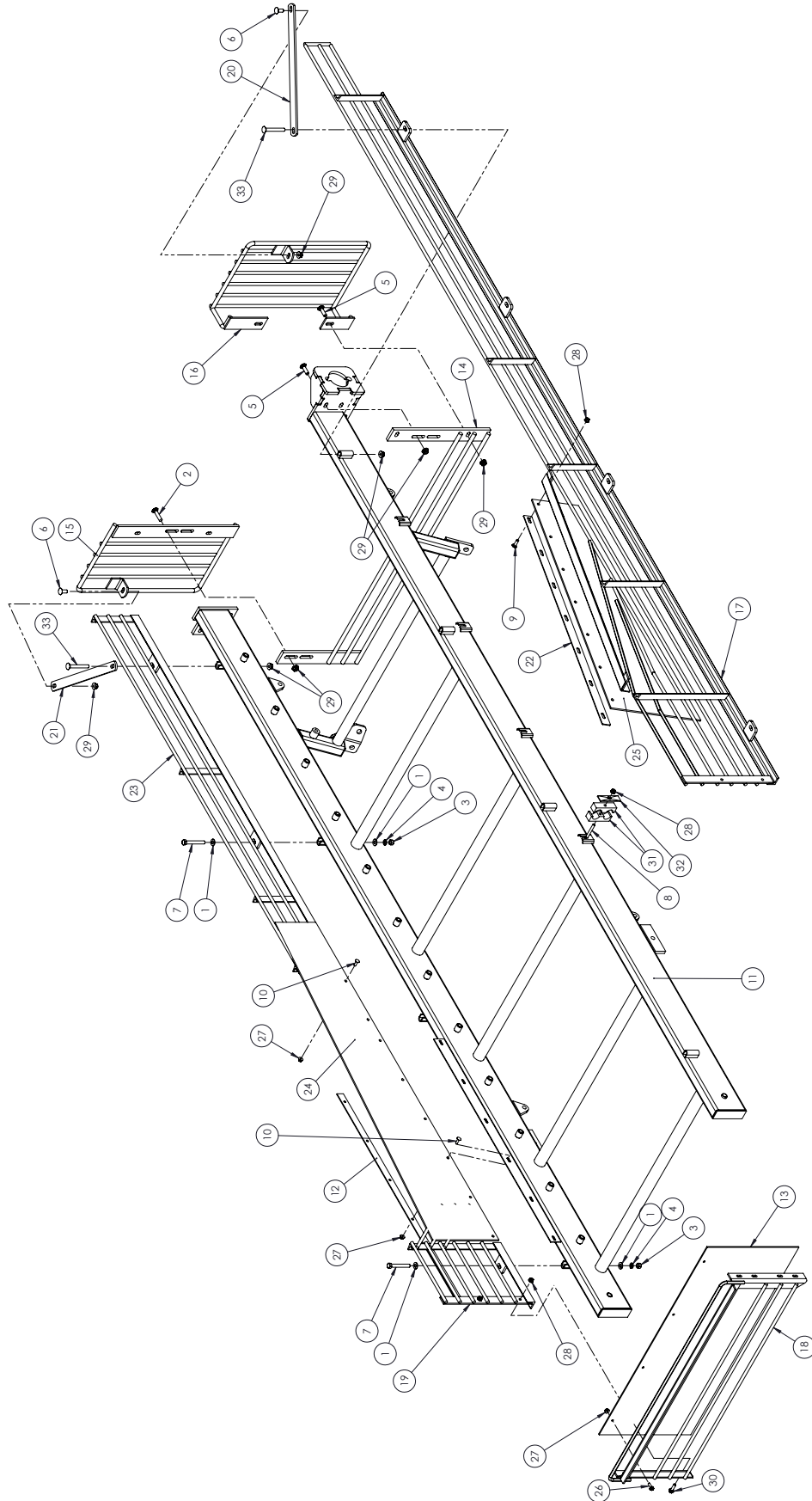
ITEM NO.	PART NUMBER	DESCRIPTION	QTY.
1	527170	CONVEYOR ASSY, TRANSFER	1
2	526430	DISK, PIVOT, WEAR	1
3	991050	BOLT, HHCS 3/4-10 X 8-1/2	1
4	JK40016	NUT, LOCK 3/4-10 GR8 ZN	1
5	601240	CYLINDER, HYD, 3.0 X 30.0	1
6	525360	BALL WLDT, ROD END	1
7	527200	ARM ASSY, PARALLEL	2
7A	525290	* ARM WLDT, PARALLEL (SUB-PART OF ITEM 7)	NA
7B	525310	* BALL WLDT, PARALLEL, RH THREAD (SUB PART OF ITEM 7)	NA
7C	525300	* BALL WLDT, PARALLEL, LH THREAD (SUB-PART OF ITEM 7)	NA
8	990830	BOLT, HHCS 3/4-10 X 3-1/2	5
9	J14H794	NUT, HEX 3/4-10 GR5 ZN	5
10	036800	WASHER, LOCK 3/4	5
11	I131017	WASHER, FLAT 3/4	17
12	522010	CHAIN, BELTED, 50MM X 174	1
		(SEE DRAPER CHAIN SECTION FOR PARTS)	
12A	522020	CHAIN, BELTED, 56MM X 155	1
		(SEE DRAPER CHAIN SECTION FOR PARTS)	
13	533020	SPROCKET, 9T/0.50, 50MM, SPLIT	2
13A	523560	SPROCKET, 8T – 56MM W/O PINS	2
14	167920	KEY, SQ. 3/8 X 2-1/2	2
	I2185128	FITTING, HYD 90°	2

CONVEYOR - UPPER TRANSFER ASSEMBLY 1 [ROLLERS], 527170



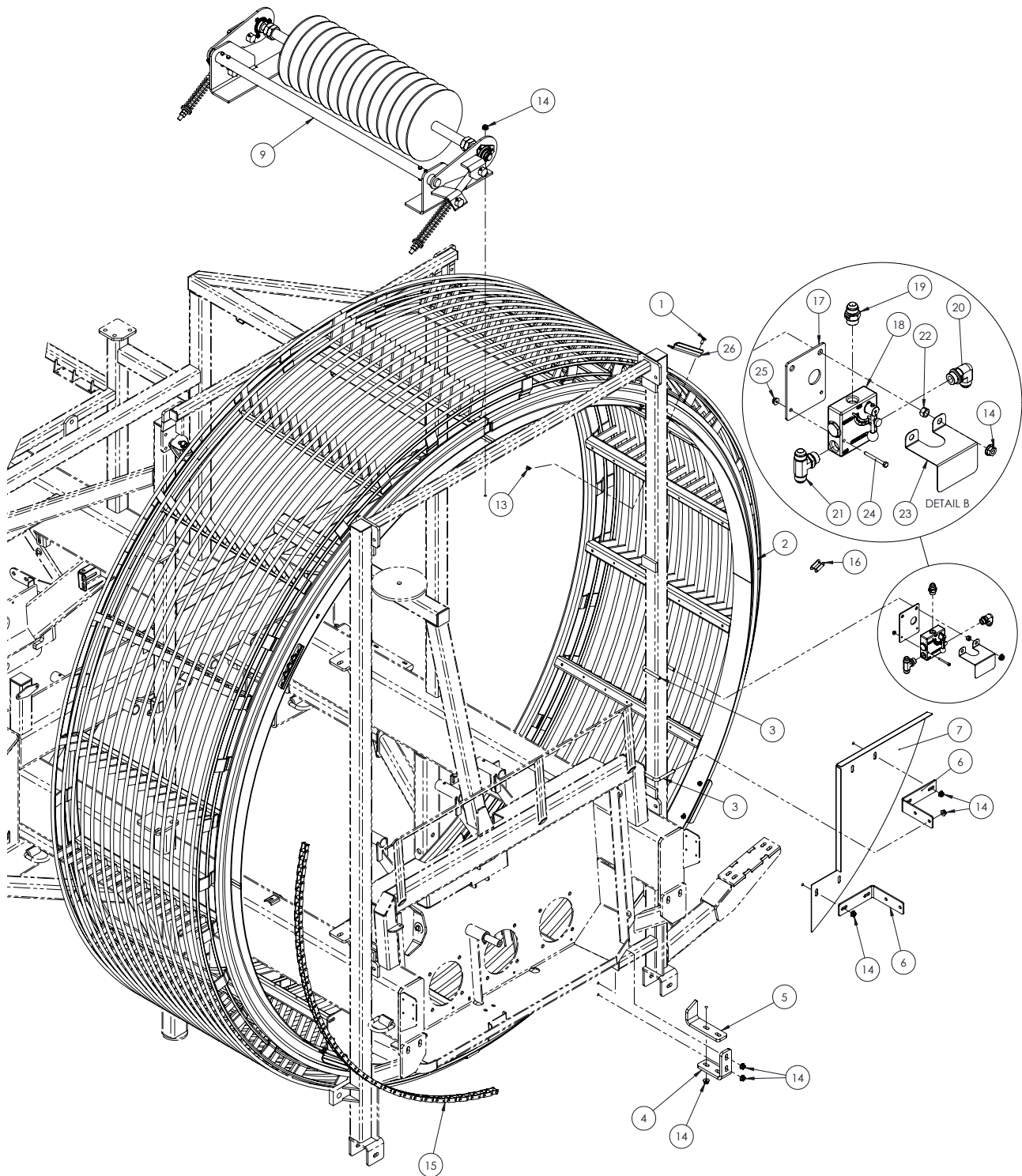
ITEM NO.	PARTNUMBER	DESCRIPTION	QTY.
1	005200	WASHER, FLAT 1/2 STD	4
2	005370	WASHER, LOCK 1/2	2
3	006670	KEY, SQ 3/8 X 1-1/2	1
4	020440	WASHER, LOCK 5/8	28
5	021630	KEY,SQUARE 5/16 X 1-1/2"	1
6	023950	BOLT, HHCS 1/2-13 X 2"	2
7	031580	BOLT, HHCS 1/2-13 X 2-3/4"	4
8	167920	KEY, SQ 3/8 X 2-1/2	2
9	240130	BEARING, PB 1.75	2
10	252500	COLLAR	2
11	262620	BOLT, HHCS 5/8-11 X 8	2
12	343280	ROLLER, RUBBER 4" DIA	30
13	467270	SPACER, .64 ID X 1.00 X .75	2
14	516390	WELDMENT, SWIVEL	1
15	516540	CONVEYOR WELDMENT	1
16	523560	SPROCKET, 56MM	2
17	532770	SPACER,STEEL	4
18	533020	SPROCKET, 50MM	2
19	551380	SPROCKET, IDLER 50MM	2
20	551390	SPROCKET, IDLER 56MM	2
21	581740	COUPLER, STEP 1-3/4 X 1-1/4	1
22	609050	BOLT, SHCS 5/16-18	3
23	120970	SCREW, HSSS 3/8-16 X 1/2"	1
24	582560	SHAFT, 1-3/4 HEAD DRIVE	1
25	600140	NUT, HFH NYLOC 1/2-13	4
26	600150	NUT, HFH NYLOC 5/8-11	6
27	600310	BOLT, HFH 5/8-11 X 2-1/2"	2
28	600410	BOLT, HFH 5/8-11 X 5"	4
29	601680	BUSHING, MOTOR	2
30	605820	FITTING, HYD STRAIGHT	2
31	606950	MOTOR, HYD, 24.7 CID	1
32	990610	BOLT, HHCS 5/8-11 X 1-1/2"	24
33	990650	HBOLT 5/8-11 X 3"	2
34	E724252	SPACER	2
35	I124589	NUT, HEX 5/8-11	2

CONVEYOR - UPPER TRANSFER ASSEMBLY 2 [GRATES], 527170



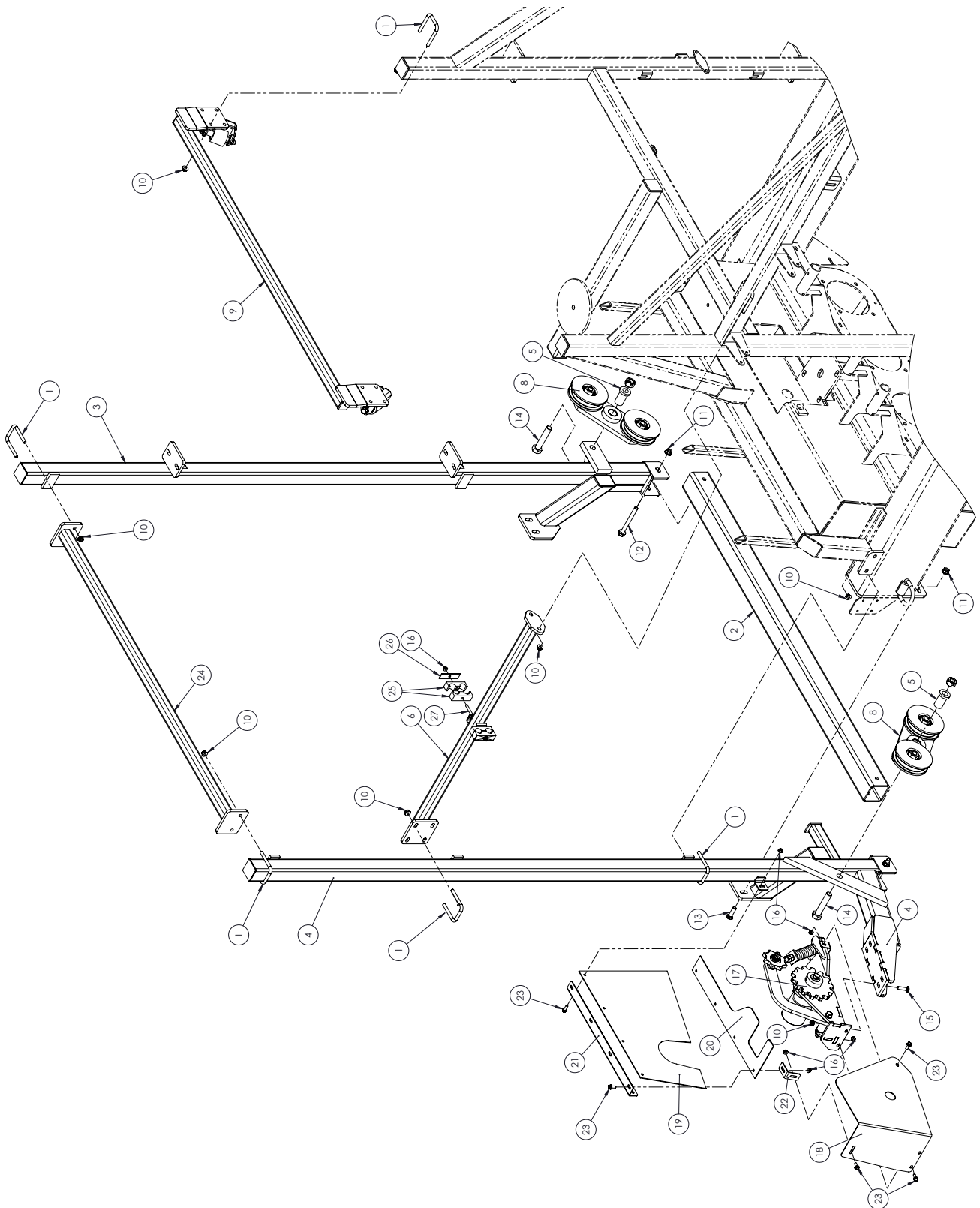
ITEM NO.	PARTNUMBER	DESCRIPTION	QTY.
1	005200	WASHER, FLAT 1/2 STD	12
2	005210	BOLT, CRG 1/2-13 X 2-1/2"	2
3	005360	NUT, HEX 1/2-13	6
4	005370	WASHER, LOCK 1/2	6
5	025390	BOLT, CRG 1/2-13 X 1-3/4"	4
6	030470	BOLT, CRG 1/2-13 X 1-1/4"	2
7	031870	BOLT, HHCS 1/2-13 X 3-3/4"	6
8	033430	BOLT, CRG 3/8-16 X 3"	4
9	035180	BOLT, CRG 3/8-16 X 1-1/4"	7
10	254060	BOLT, CRG 5/16-18 X 1"	7
11	516540	CONVEYOR WELDMENT	1
12	517540	STRAP, INLET FLAP	1
13	523950	FLAP, RUBBER ELEV. END	1
14	527530	GRATE WELDMENT, OUTER	1
15	551850	LH GRATE WELDMENT,	1
16	551860	RH GRATE WELDMENT,	1
17	551880	GRATE, UPPER WELDMENT	1
18	551900	GRATE WLDT, END	1
19	551910	GRATE WELDMENT	1
20	551920	BAR, TIE, RH	1
21	551930	BAR, TIE, LH	1
22	588350	STRIP, BACKER	1
23	590300	GRATE, UPPER WELDMENT	1
24	590370	FLAP, RUBBER, INLET	1
25	595230	FLAP, WHEEL DROP	1
26	600060	BOLT, HFH 5/16-18 X 1"	4
27	600110	NUT, HFH NYLOC 5/16-18	12
28	600120	NUT, HFH NYLOC 3/8-16	15
29	600140	NUT, HFH NYLOC 1/2-13	13
30	600280	BOLT, HFH 3/8-16 X 1-1/4"	4
31	605510	CLAMP, HYD HOSE	4
32	605520	COVER, HOSE CLAMP	4
33	J03H1852	BOLT, CRG 1/2-13 X 4"	2

FERRIS WHEEL ASSEMBLY



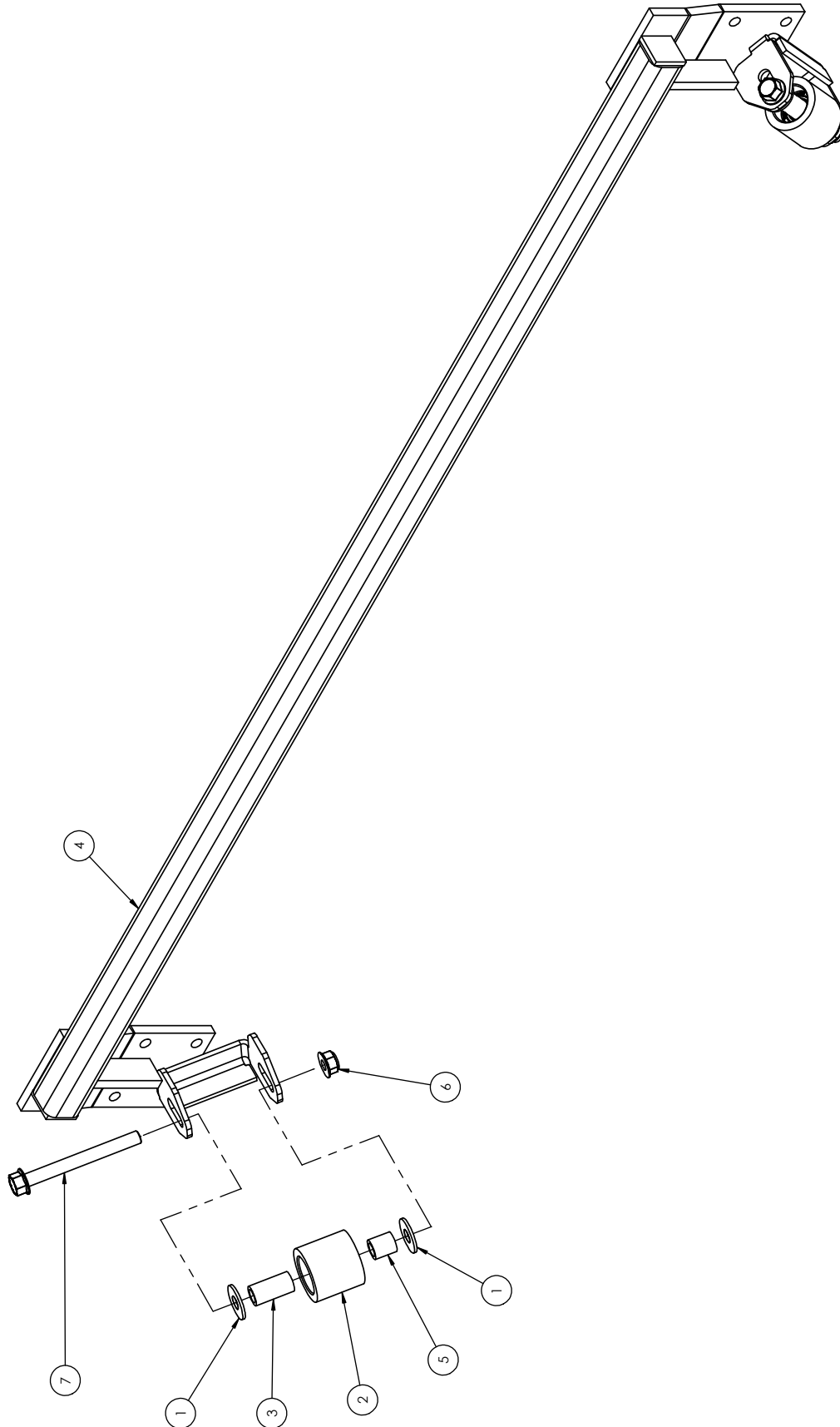
ITEM NO.	PART NUMBER	DESCRIPTION	QTY.
1	387010	BOLT, CRG 3/8-16 X 1" GR5 ZN	8
2	588100	WHEEL WLDT, FERRIS,	1
3	468370	BOLT, U 1/2-13 X 2.06 X 4.25	3
4	539670	BRACKET, OUTER	1
5	539680	BRACKET, OUTER	1
6	563110	BRACKET, REAR R. SUPPORT	2
7	563150	FILLER, FW R. REAR	1
9	588040	STRIPPER ASSY, 6812	1
13	600120	NUT, HFH NYLOC 3/8-16	8
14	600140	NUT, HFH NYLOC 1/2-13	22
15	588930	CHAIN ASSEMBLY	1
16	590860	LINK, CONNECTING	1
17	530030	BRACKET, FLOW CONTROL	1
18	601440	VALVE, FLOW CONTROL	1
19	MP09.74127	FITTING, HYD STRAIGHT	1
20	551510P	FITTING, HYD 90°	1
21	MP09.74124	FITTING, HYD TEE	1
22	005360	NUT, HEX 1/2-13	2
23	552120	COVER, VALVE	1
24	031560	BOLT, HHCS 1/4-20 X 2-1/2	2
25	600100	NUT, HFH NYLOC 1/4-20	2
26	607090	TOOTH WELDMENT	4

FERRIS WHEEL - REAR TOWER ASSEMBLY



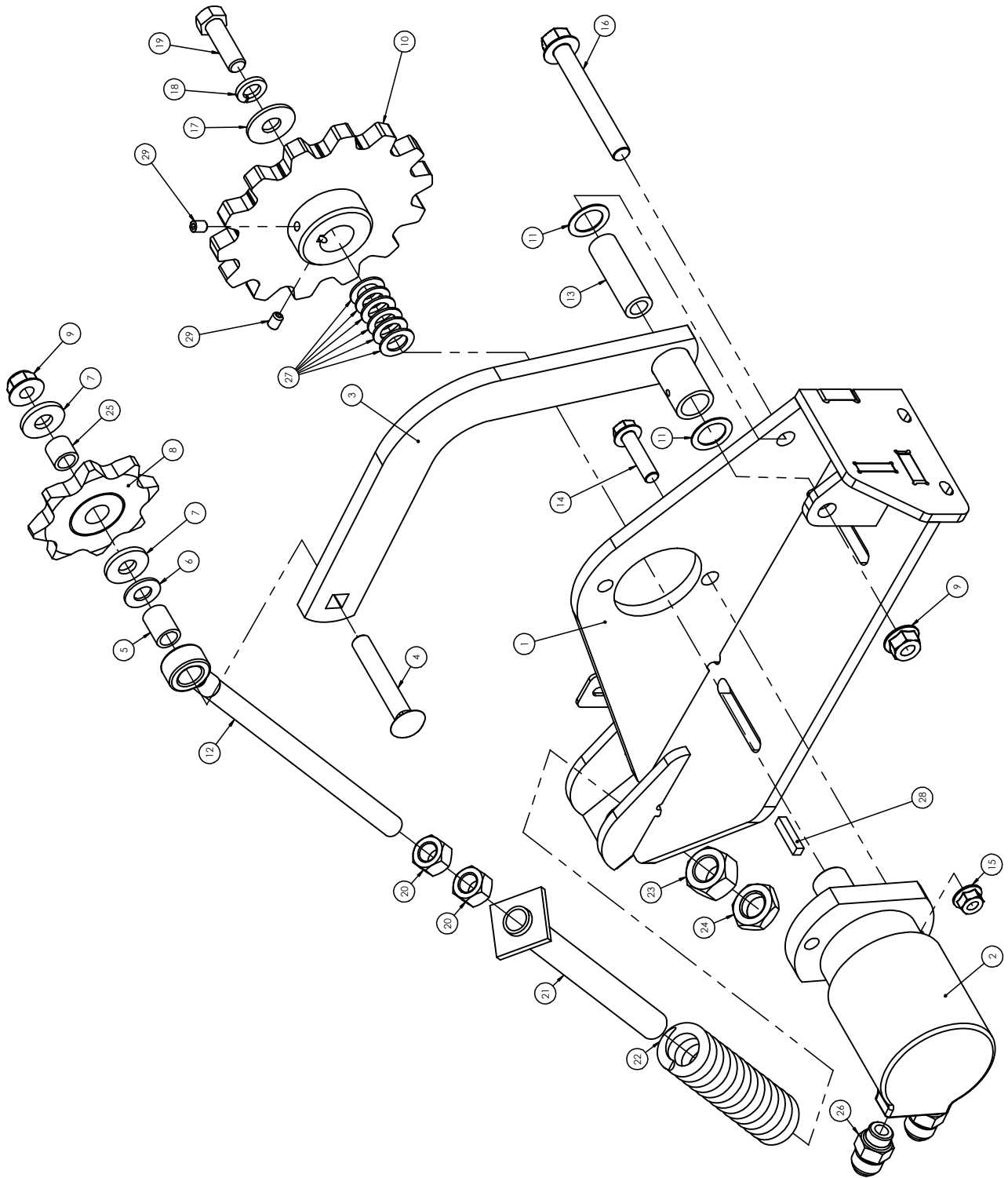
ITEM NO.	PART NUMBER	DESCRIPTION	QTY.
1	468370	BOLT, U 1/2-13 X 2.06 X 4.25	10
2	532160	TUBE, BUMPER	1
3	538890	VERTICAL SUPPORT	1
4	559900	SUPPORT WELDMENT	1
5	575070	PIVOT, ROLLER ARM	2
6	587940	BRACE WELDMENT	1
8	596620	ROLLER SUB ASM	2
9	596640	SUPPORT, UPPER	1
10	600140	NUT, HFH NYLOC 1/2-13	25
11	600150	NUT, HFH NYLOC 5/8-11	6
12	600220	BOLT, HFH 5/8-11 X 6 GR 8	2
13	990760	BOLT, CRG 5/8-11 X 2-1/4	4
14	991060	BOLT, HHCS 1-8 X 5	2
15	991200	RHSNBOLT 0.5-13X2X2-N	4
16	600120	NUT, HFH NYLOC 3/8-16	14
17	601840	FERRIS WHEEL DRIVE	1
18	601950	SHIELD	1
19	601930	RUBBER FLAP 1	1
20	601940	RUBBER FLAP 2	1
21	601850	MOUNT, FLAPS	1
22	601870	MOUNT, SHIELD	1
23	600050	BOLT, HFH 3/8-16 X 1.00"	12
24	519630	TUBE WLDT, UPPER FW	1
25	605510	CLAMP, HYD HOSE	2
26	605520	COVER, HOSE CLAMP	2
27	033430	BOLT, CRG 3/8-16 X 3"	2
28	990510	NUT, LOCK 2-WAY 1-8	2

FERRIS WHEEL - REAR TOWER - SUPPORT UPPER ASSEMBLY, 596640



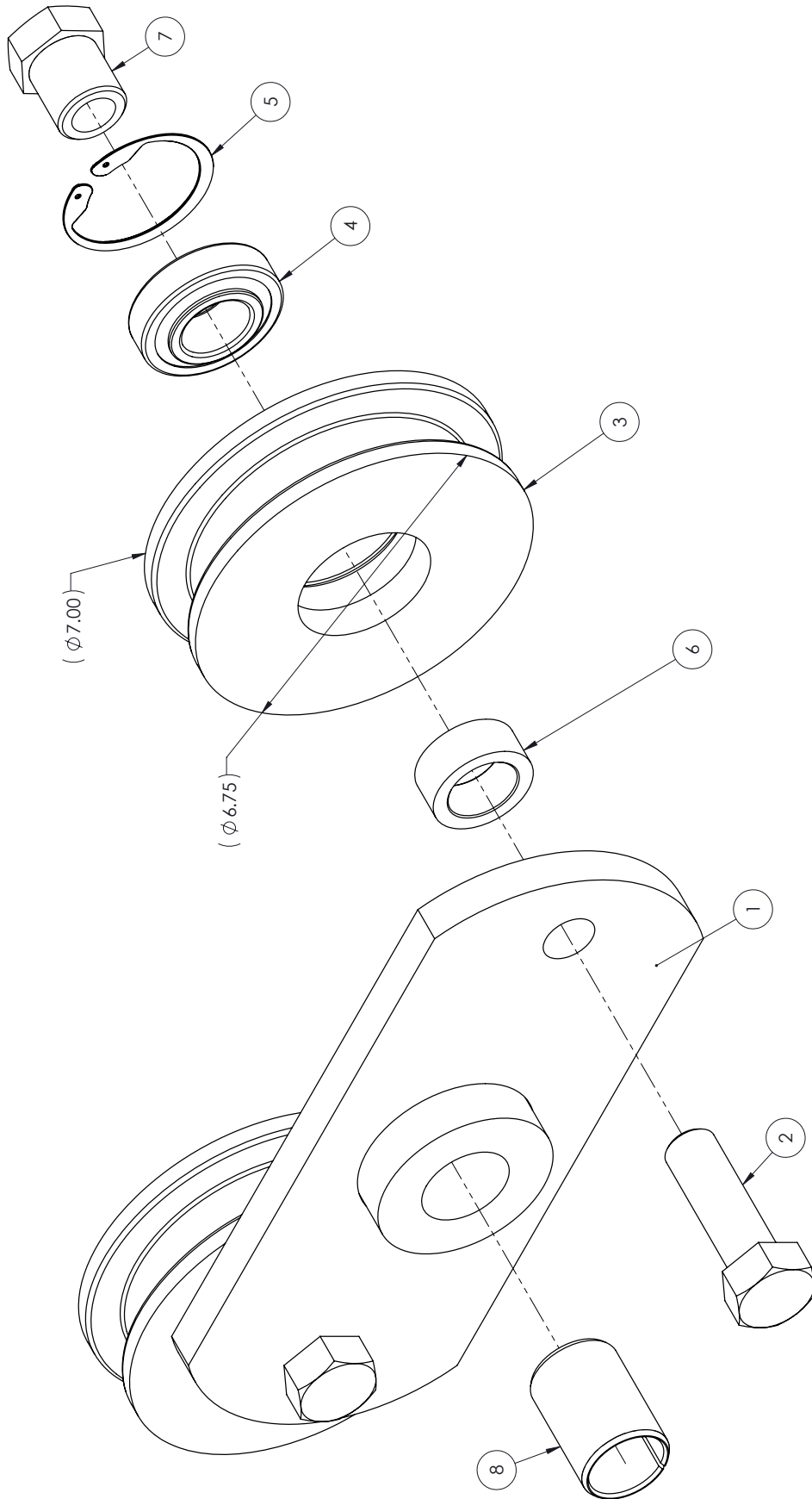
ITEM NO.	PART NUMBER	DESCRIPTION	QTY.
1	020430	WASHER,FLAT 5/8 STD	4
2	413970	ROLLER ASSY,	2
3	413980	SPACER, 1.00 OD x .687 ID x 2.00	2
4	534060	TUBE WLDT, FRT	1
5	595870	SPACER, Ø1.00 X .15W	2
6	600150	NUT, HFH NYLOC	2
7	600220	BOLT, HFH 5/8-11	2

FERRIS WHEEL - WHEEL DRIVE MOTOR ASSEMBLY, 601840



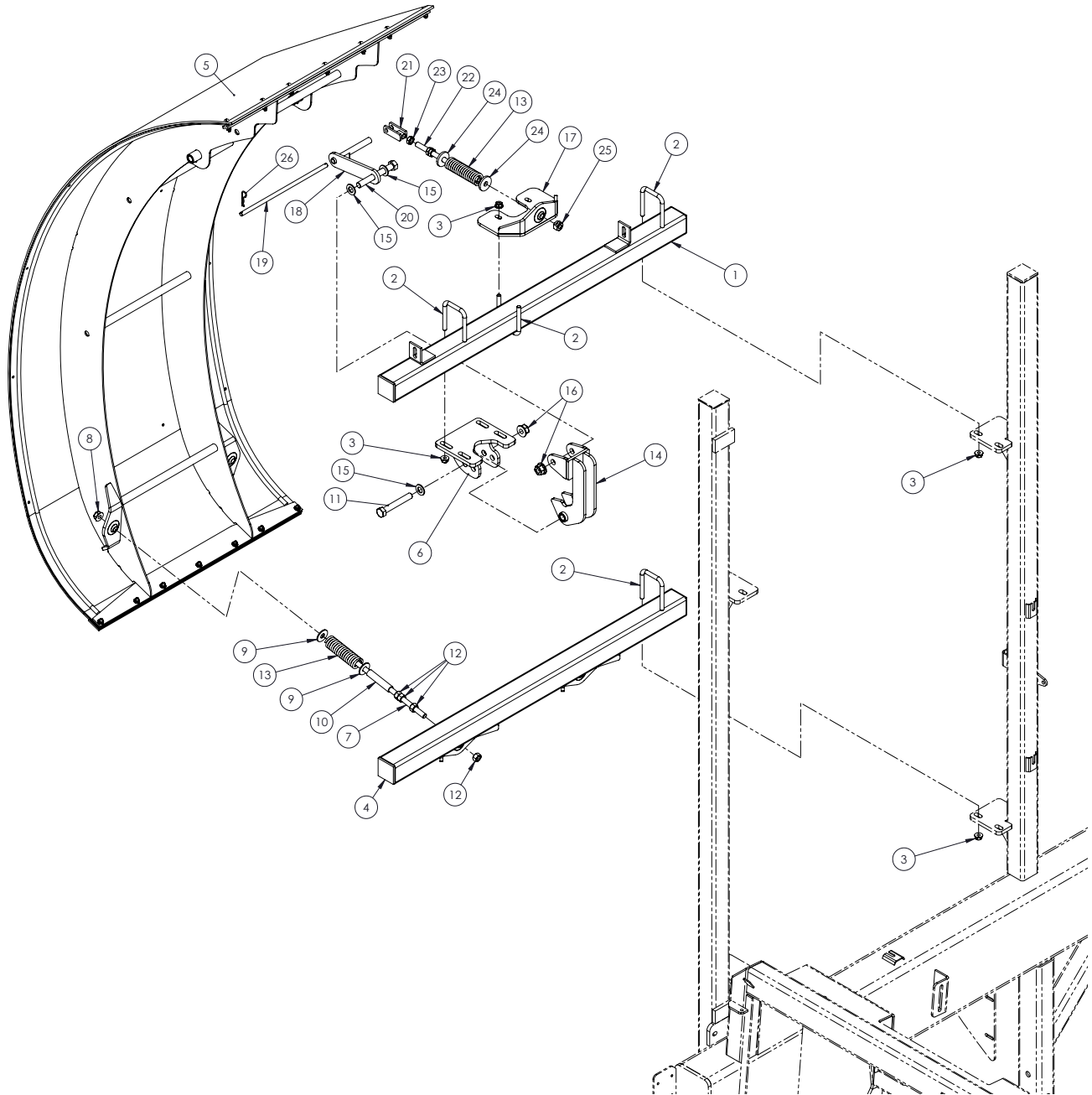
ITEM NO.	PART NUMBER	DESCRIPTION	QTY.
1	601820	MOTOR MOUNT WLDT	1
2	538500	MOTOR, HYD, 20.6 CID	1
3	539690	ARM WLDT, PIVOT	1
4	E096060	RHSNBOLT 0.625-11 X 3.75 GR 5 ZN	1
5	601970	SPACER	1
6	035210	WASHER, FLAT 5/8 SAE	1
7	J24H1373	WASHER, FLAT	2
8	JAN142341	SPROCKET ASSY, 8T	1
9	600150	NUT, HFH NYLOC	2
10	523760	SPROCKET ASSY,	1
11	003370	WASHER, FLAT 1.03 X 1.50 X .048	2
12	JN146355	BOLT, EYE 3/4-10	1
13	601960	SPACER, IDLER ARM	1
14	600240	BOLT, HFH 1/2-13	2
15	600140	NUT, HFH NYLOC	2
16	600410	BOLT, HFH 5/8-11	1
17	020430	WASHER, FLAT 5/8 STD	1
18	020440	WASHER, LOCK 5/8	1
19	213250	BOLT, HHCS 5/8-18 X 2.00 GR. 5 ZN	1
20	J14H794	NUT, HEX 3/4-10 GR5 ZN	2
21	JAN142300	TUBE ASSY	1
22	JN109877	SPRING, CLUTCH	1
23	1774107	NUT, HEX 1-14 GR5 ZN	1
24	V066513	NUT, JAM 1-14	1
25	606070	SPACER	1
26	605820	FITTING, HYD STRAIGHT	2
27	E126057	BUSHING, MACH 3/4 X 14GA ZN	6
28	021630	F/W 538500	1
29	120970	SHSS 3/8 - 16 X 1/2 CUP POINT	2

FERRIS WHEEL - ROLLER ASSEMBLY, LOWER, 596620



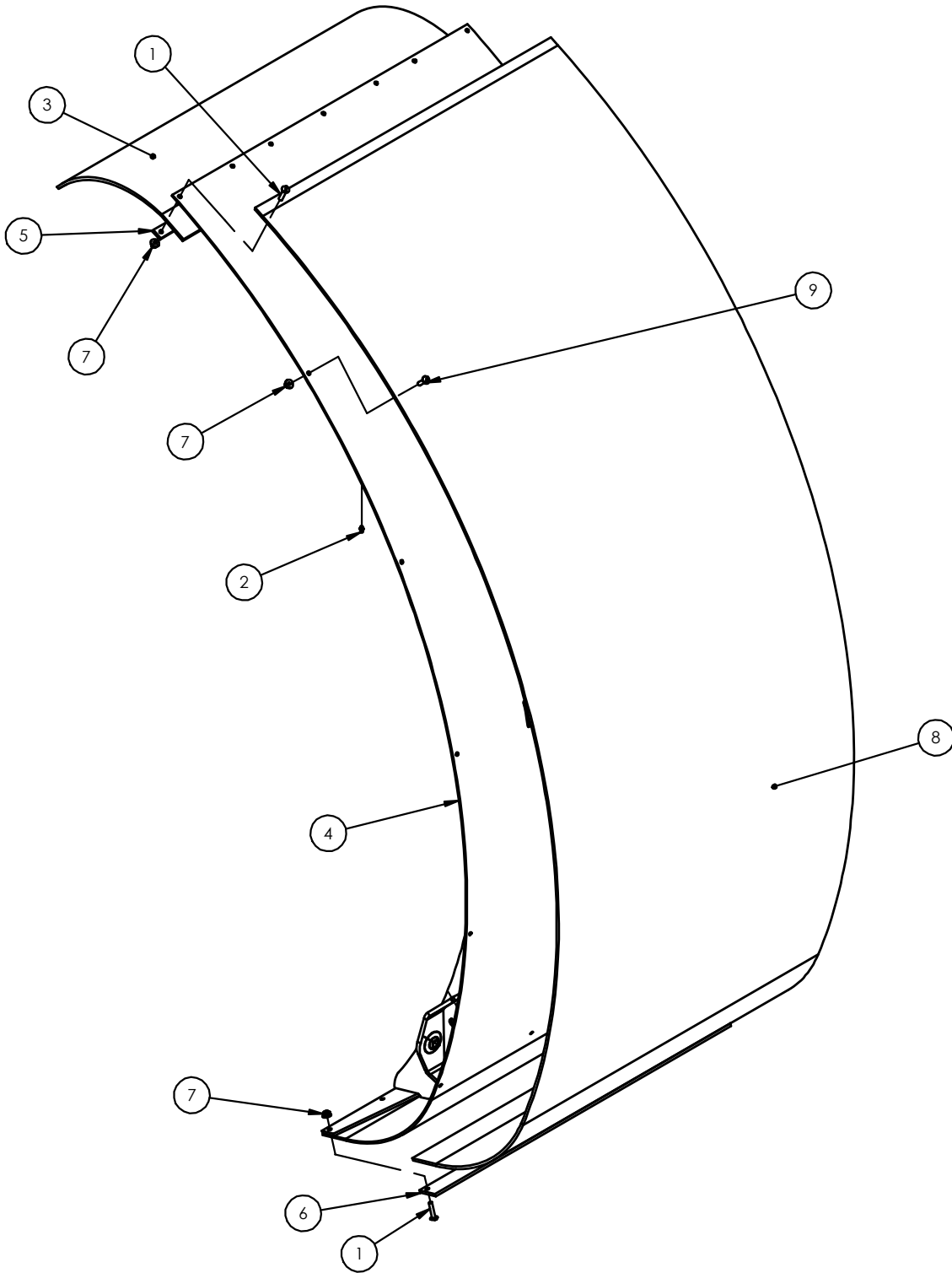
ITEM NO.	PART NUMBER	DESCRIPTION	QTY.
1	575050	WELDMENT, WALKING ARM	1
2	268730	BOLT, HHCS 1-8 X 3, GR8	2
3	433230	ROLLER, WHEEL	1
4	JAN142665	BEARING, BALL	1
5	JN123158	RING, RETAINING	1
6	609040	SPACER, ROLLER	2
7	JN144757	NUT, GUIDE WHEEL	2
8	466450	BUSHING, STEEL	1

FERRIS WHEEL - RETAINER ASSEMBLY



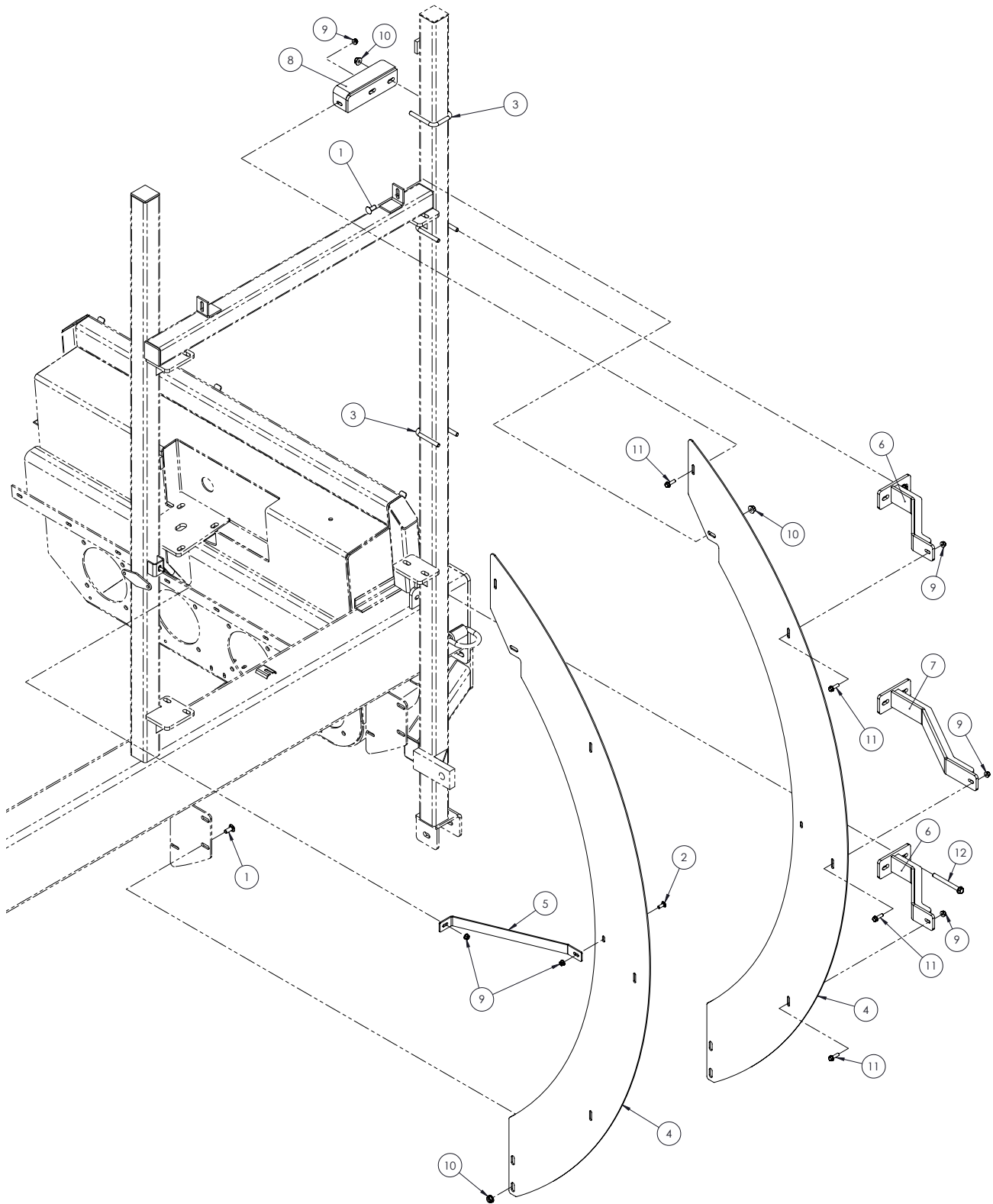
ITEM NO.	PART NUMBER	DESCRIPTION	QTY.
1	594210	RETAINER MOUNT,	1
2	468370	BOLT, U 1/2-13 X 2.06 X 4.25	10
3	600140	NUT, HFH NYLOC 1/2-13	20
4	594200	RETAINER MOUNT,	1
5	594000	RETAINER ASSEMBLY	1
6	594150	BARRIER MOUNT	2
7	595290	ROD, RETAINER	2
8	600150	NUT, HFH NYLOC 5/8-11	2
9	020430	WASHER, FLAT 5/8 STD	4
10	595310	TUBE, SPACER	2
11	023550	BOLT, HHCS 3/4-10 X 5"	2
12	1124589	NUT, HEX 5/8-11	8
13	231000	SPRING, COMPRESSION	3
14	606820	SHACKLE ASSY	2
15	1131017	WASHER, FLAT	6
16	600160	NUT, HFH TOPLOCK 3/4-10	4
17	606180	SPRING MOUNT, WLDMNT	1
18	606630	ARM, WELDMENT	2
19	606280	PIVOT ROD, SPRING MOUNT	1
20	G146711	BOLT, HHCS 3/4-10 X 6 GR8 ZN	2
21	561870	YOKE WLDT, 5/8-11	1
22	606290	ROD, THREADED 5/8-11	1
23	1121555	NUT, JAM 5/8-11	3
24	340310	WASHER, FLAT	2
25	038850	NUT, LOCK 5/8-11	1
26	E580035	PIN, HAIR 1/8 X 2-3/8	2

RETAINER ASSEMBLY, 594000



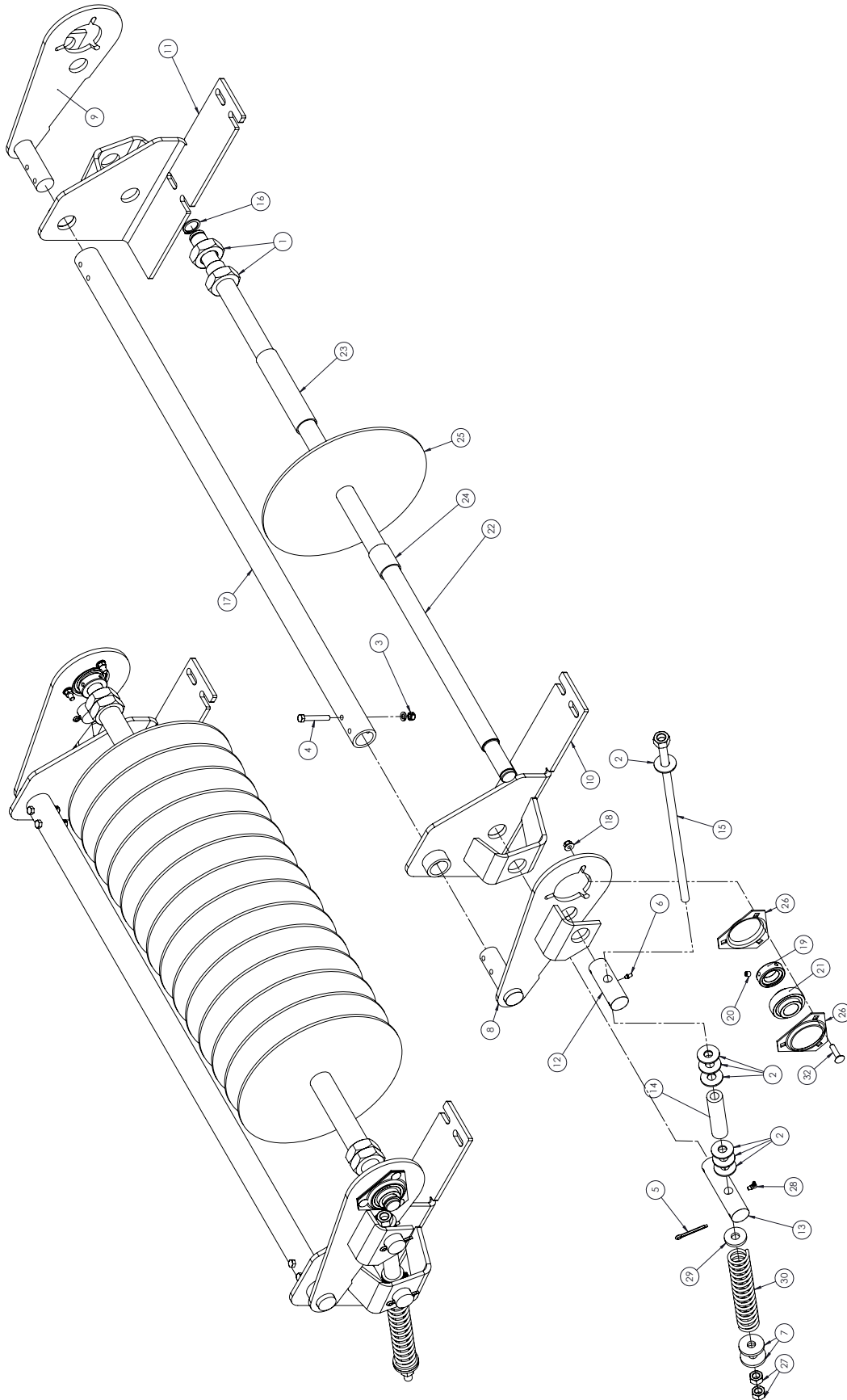
ITEM NO.	PART NUMBER	DESCRIPTION	QTY.
1	016340	SCREW, THMS 5/16-18	14
2	115590	FITTING, GREASE	2
3	594060	RETAINER FLAP	1
4	594100	RETAINER WLDT	1
5	594240	LOWER RETAINER BRACE	1
6	594430	LOWER RETAINER BRACE	1
7	600110	NUT, HFH NYLOC	34
8	601660	SHEET, 1/4" PLASTIC, RETAINER	1
9	1142849	SCREW, THMS 5/16-18	20

SIDE RETAINER ASSEMBLY



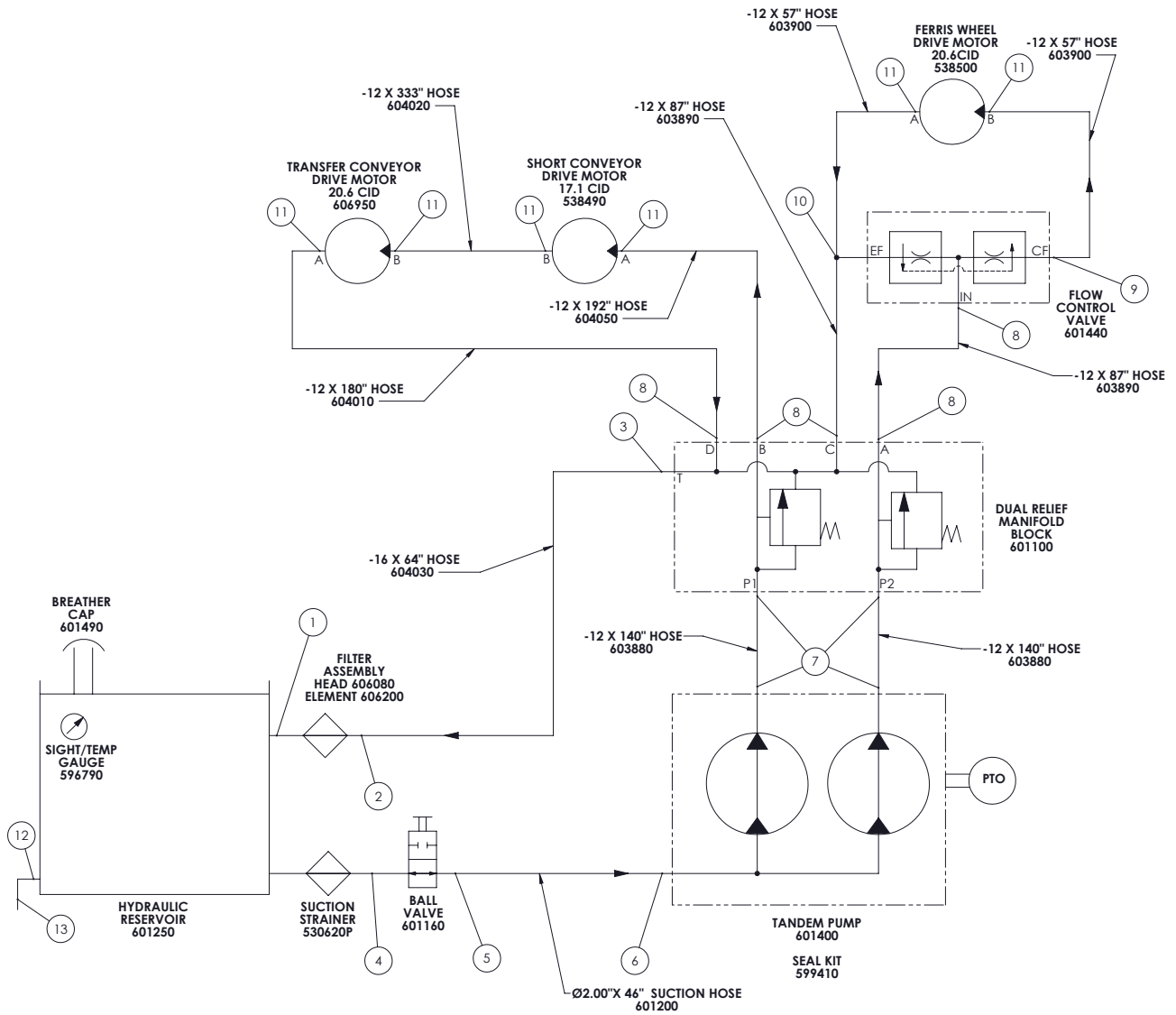
ITEM NO.	PART NUMBER	DESCRIPTION	QTY.
1	030470	BOLT, CRG 1/2-13 X 1-1/4"	6
2	170530	BOLT, CRG 3/8-16 X 1"	2
3	468370	BOLT, U 1/2-13 X 2.06 X 4.25	5
4	594010	RETAINER SHIELD	2
5	595210	FRONT MOUNT	1
6	598600	SHIELD SUPPORT	2
7	598650	SHIELD SUPPORT	1
8	598680	MOUNT WLDT	1
9	600120	NUT, HFH NYLOC 3/8-16	6
10	600140	NUT, HFH NYLOC 1/2-13	18
11	600280	BOLT, HFH 3/8-16 X 1-1/4"	4
12	600450	BOLT, HFH 1/2-13 X 5"	2

FERRIS WHEEL - STRIPPER ASSEMBLY



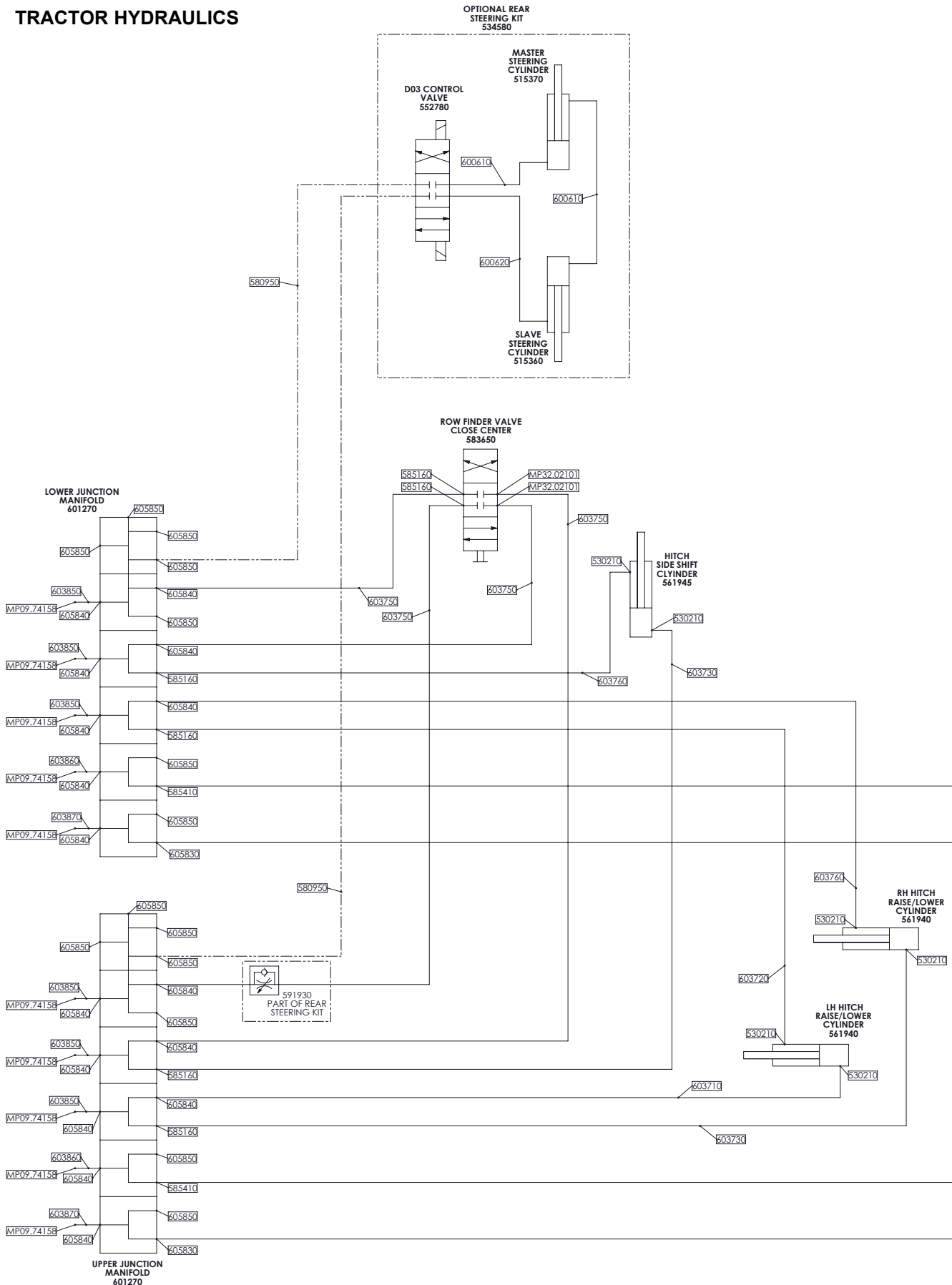
ITEM NO.	PART NUMBER	DESCRIPTION	QTY.
1	609530	NUT, JAM 1 1/2-12	4
2	020430	WASHER, FLAT 5/8 STD	14
3	023060	NUT, LOCK 3/8-16 2 WAY	4
4	037630	BOLT, HHCS 3/8-16 X 2-1/2"	4
5	114370	PIN, COTTER, 1/4" X 2" Z5	8
6	115590	FITTING, GREASE	2
7	340310	WASHER, FLAT	4
8	415140	ARM WLDT, RH	1
9	415150	ARM WLDT, LH	1
10	415160	MOUNT WLDT, RH	1
11	415170	MOUNT WLDT, LH	1
12	415220	PIVOT, CENTER	2
13	415230	PIVOT, CENTER	2
14	462130	TUBE, SPRING STOP	2
15	534410	BOLT WLDT, 5/8-11 X 20.50"	2
16	583340	RING, EXT 1.25 HD SNAP	2
17	588050	TUBE, TORQUE	1
18	600120	NUT, HFH NYLOC 3/8-16	6
19	609291	COLLAR, LOCK	1
20	609292	SCREW, HSSS 3/8-24	1
21	609290	BEARING, BALL	1
22	609350	SHAFT, WHEEL	1
23	609360	SPACER, LONG	2
24	609370	SPACER, SHORT	13
25	609380	DISK	14
26	E281004	FLANGETTE	4
27	I124589	NUT, HEX 5/8-11	4
28	I19612R91	GREASE FITTING, 90 DEG TAP	2
29	I21905R1	WASHER, 21/32 x 1.75 x 1/4	2
30	U52000015	SPRING, COMPRESSION	2
31	021180	WASHER, LOCK 3/8	4
32	J03H1558	BOLT, CRG 3/8-16 X 1-1/2	6

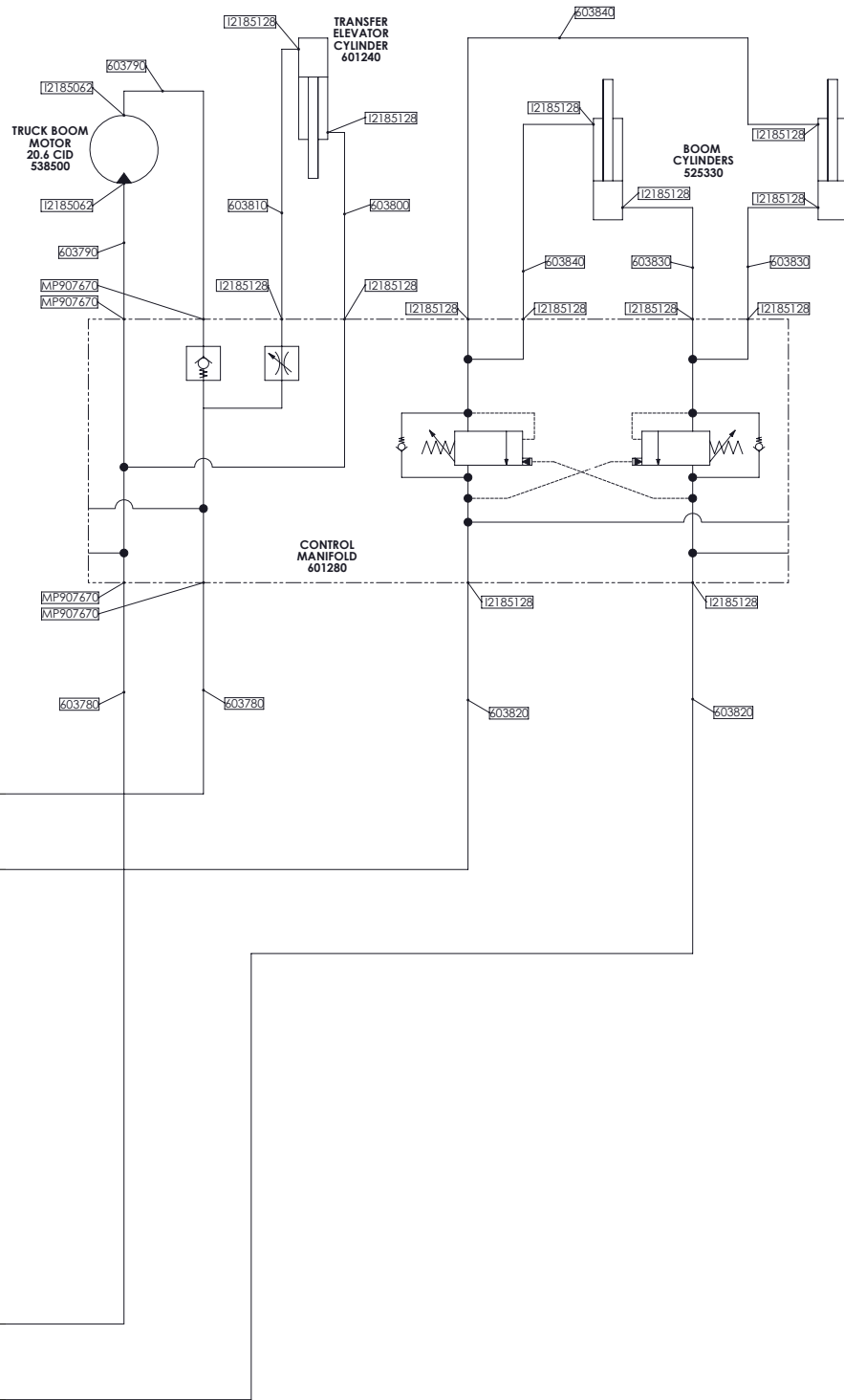
SELF CONTAINED HYDRAULIC CIRCUITS



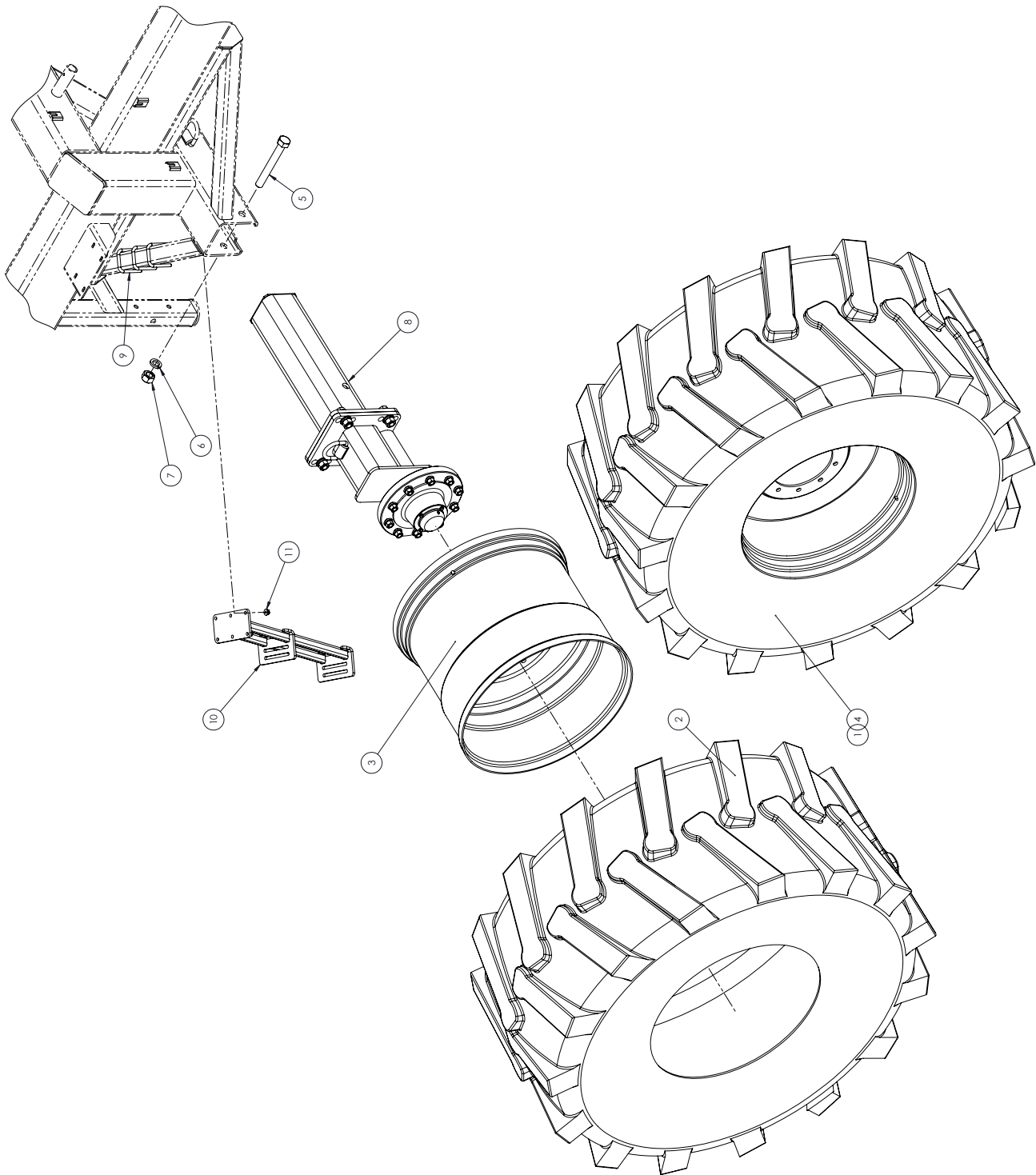
ITEM NO.	PART NUMBER	DESCRIPTION	QTY.
1	606090	FITTING, HYD STRAIGHT	1
2	605570	FITTING, HYD 90°	1
3	530160	FITTING, HYD 90°	1
4	601170	CLOSE NIPPLE	1
5	601190	FITTING, HYD STRAIGHT	1
6	606140	FITTING, HYD 90°	1
7	506540	FITTING, HYD 90°	4
8	MP09.74127	FITTING, HYD STRAIGHT	5
9	551510P	FITTING, HYD 90°	1
10	MP09.74124	FITTING, HYD TEE	1
11	605820	FITTING, HYD STRAIGHT	6
12	595220	FITTING, HYD 90°	1
13	G213193	FITTING, HYD PLUG	1

TRACTOR HYDRAULICS



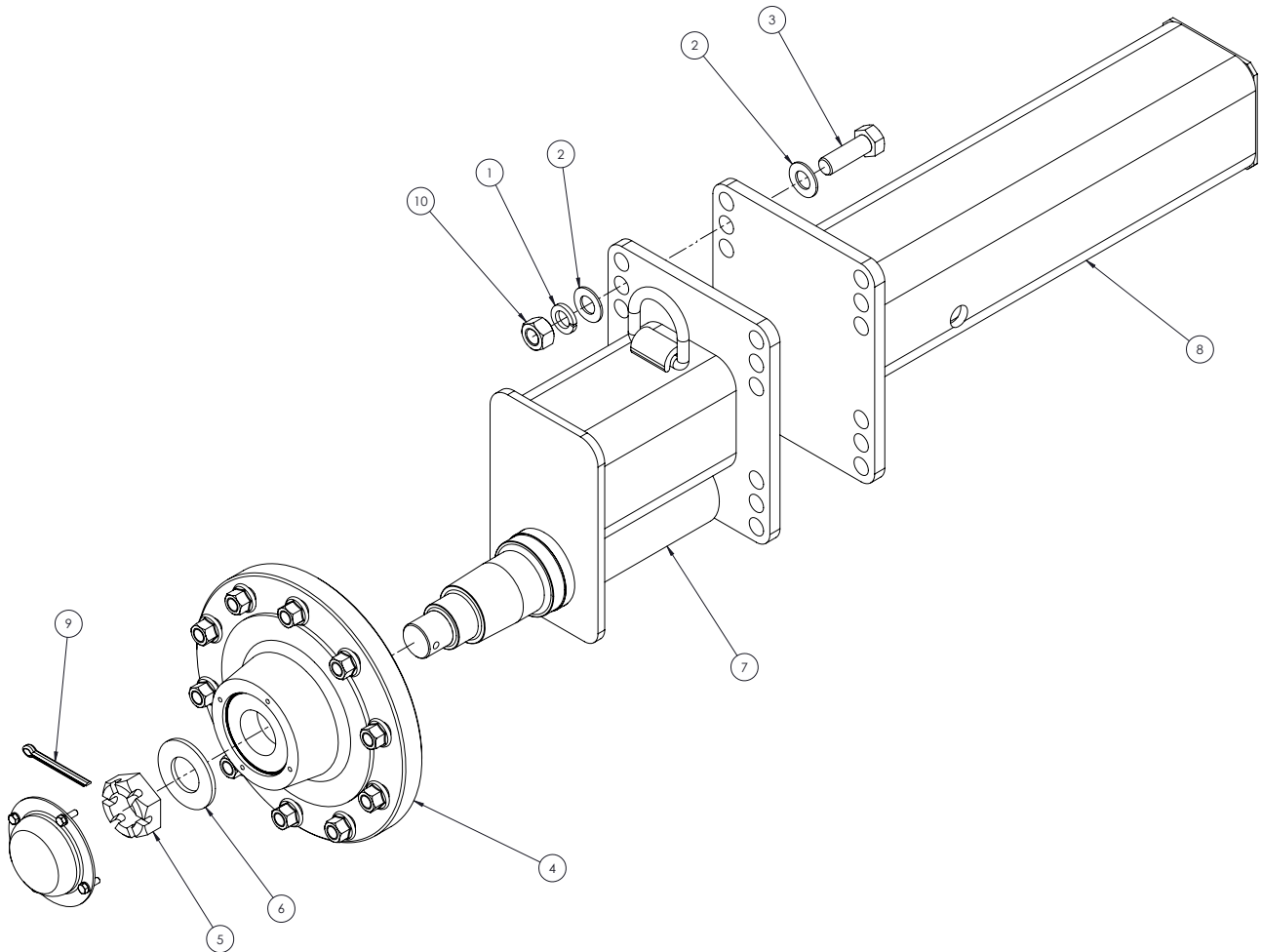


CARRIER WHEEL ASSEMBLY, RH



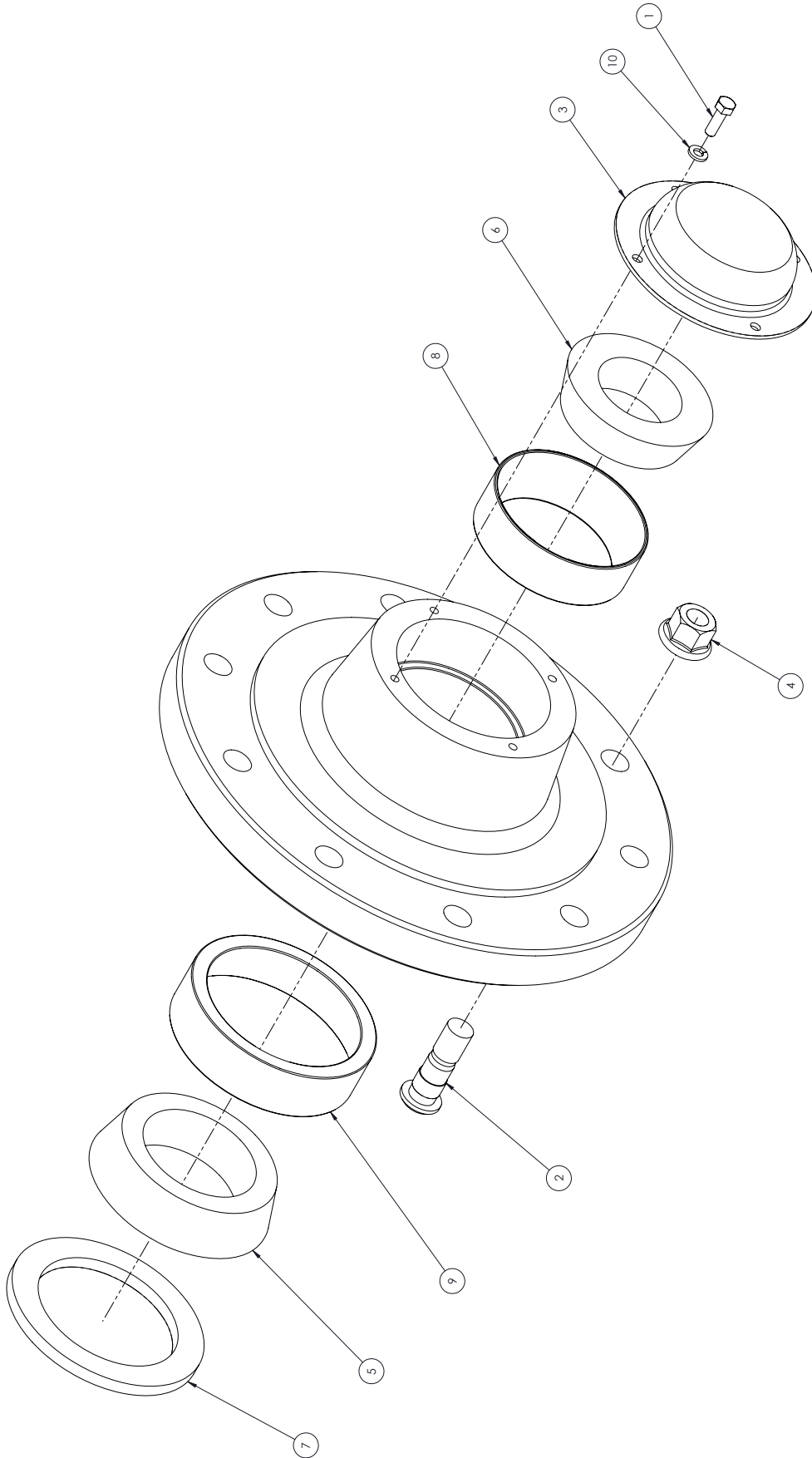
ITEM NO.	PART NUMBER	DESCRIPTION	QTY.
1	563520	WHEEL & TIRE ASSY, RH	1
2	563540	TIRE, 30.5L-32	1
3	563530	WHEEL RIM, 32x27	1
4	563510	WHEEL & TIRE ASSY, LH	1
5	525050	BOLT, HHCS 1-1/4-7 x 10	2
6	E829047	WASHER, LOCK 1-1/4	2
7	J14H824	NUT, HEX 1-1/4-7 Gr5 ZN	2
8	525000	AXLE ASSEMBLY	2
9	468370	BOLT, U 1/2-13 X 2.06 X 4.25	3
10	607340	STEP, BOLT-ON	1
11	600140	NUT, HFH NYLOC 1/2-13	6

HUB/SPINDLE SUB ASSEMBLY, 525000



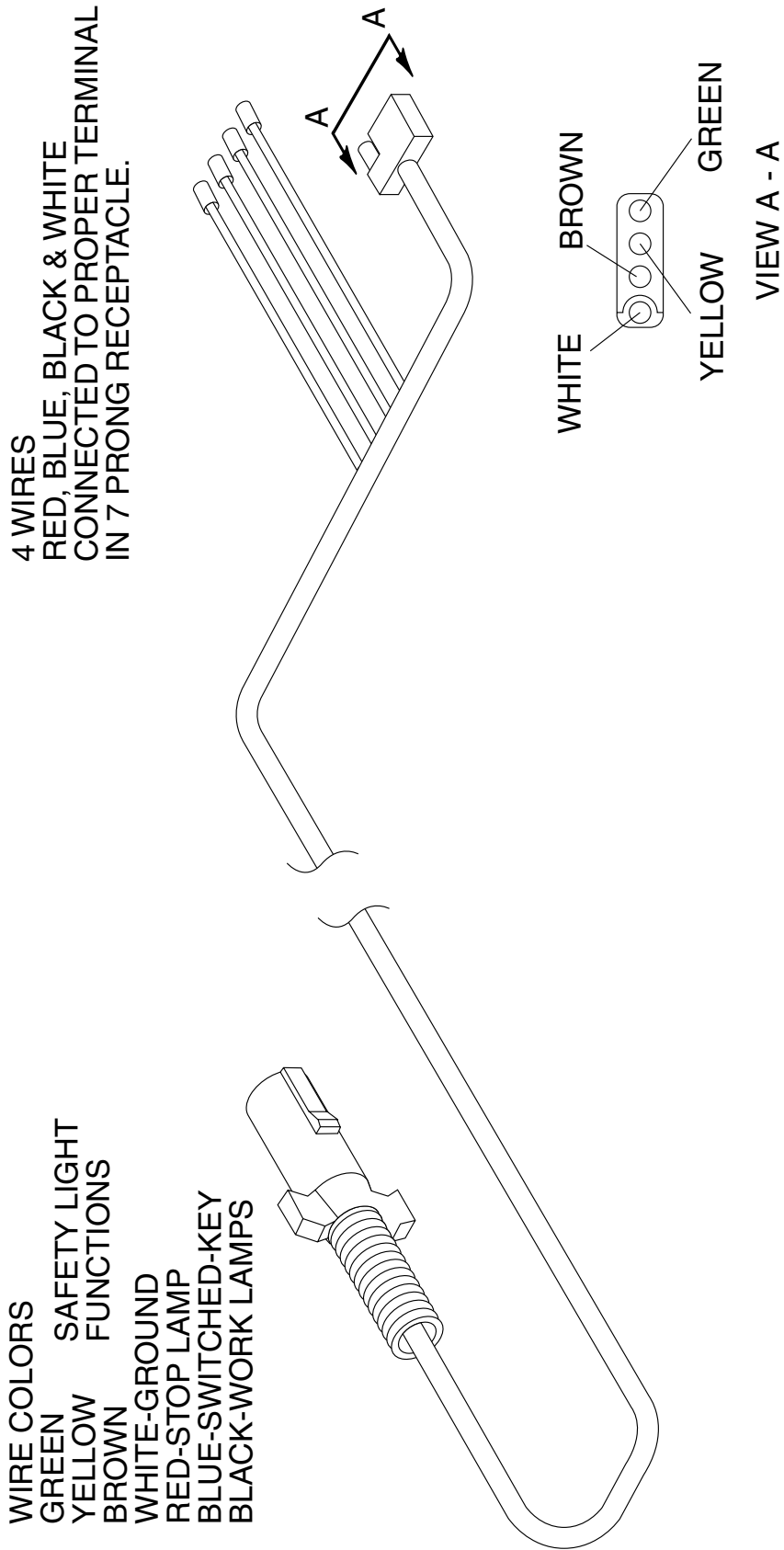
ITEM NO.	PART NUMBER	DESCRIPTION	QTY.
1	003350	WASHER, LOCK 1"	4
2	1107389	WASHER, FLAT 1 SAE	8
3	497590	BOLT, HHCS 1-8 X 3 GR8	4
4	522060	HUB ASSEMBLY,	1
5	522120	NUT, CASTLE 2"	1
6	522130	WASHER, FLAT	1
7	606030	SPINDLE WLDT,	1
8	606040	SPINDLE MOUNT	1
9	I4322448	PIN, COTTER, 3/8" X 3-3/4"	1
10	J14H805	NUT, HEX 1-8	4

HUB ASSEMBLY, 522060

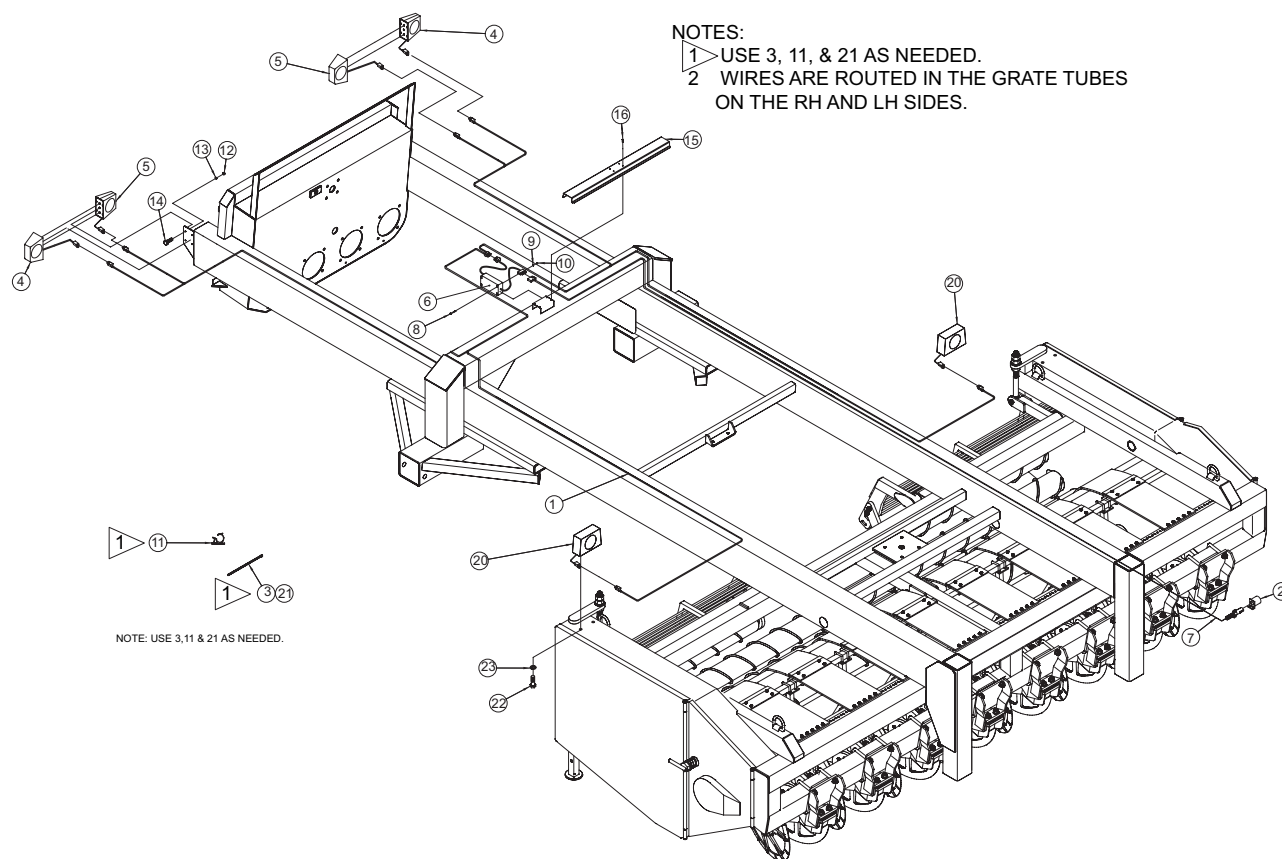


ITEM NO.	PART NUMBER	DESCRIPTION	QTY.
1	005900	BOLT, HHCS 5/16-18 X 1"	4
2	455700P	BOLT, STUD 3/4-16	10
3	455720	CAP, HUB BOLT ON	1
4	455740P	NUT, HEX FLANGE, 3/4-10 HUB	10
5	522090	BEARING CONE, INNER	1
6	522100	BEARING CONE OUTER	1
7	522110	SEAL, GREASE	1
8	522080	CUP, BEARING OUTER	1
9	522070	CUP, BEARING INNER	1
10	023620	WASHER, LOCK 5/16	4

LIGHT HARNESS

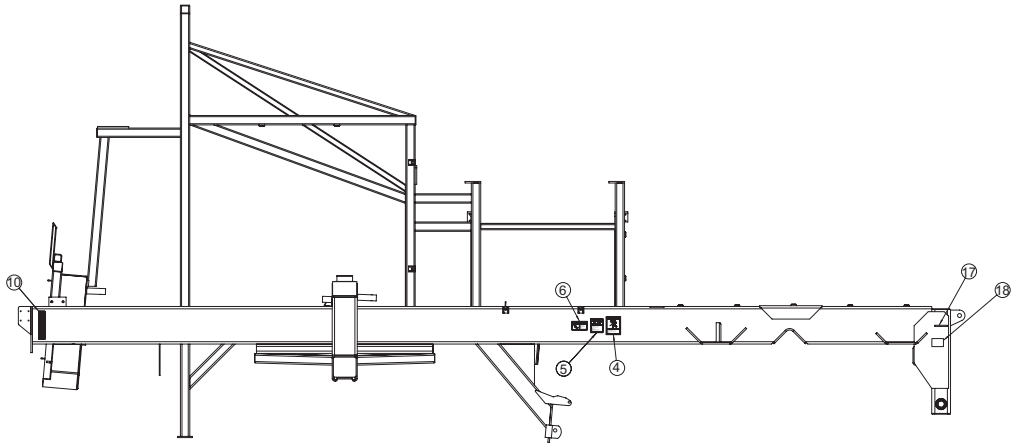


SAFETY LIGHTS ASSEMBLY

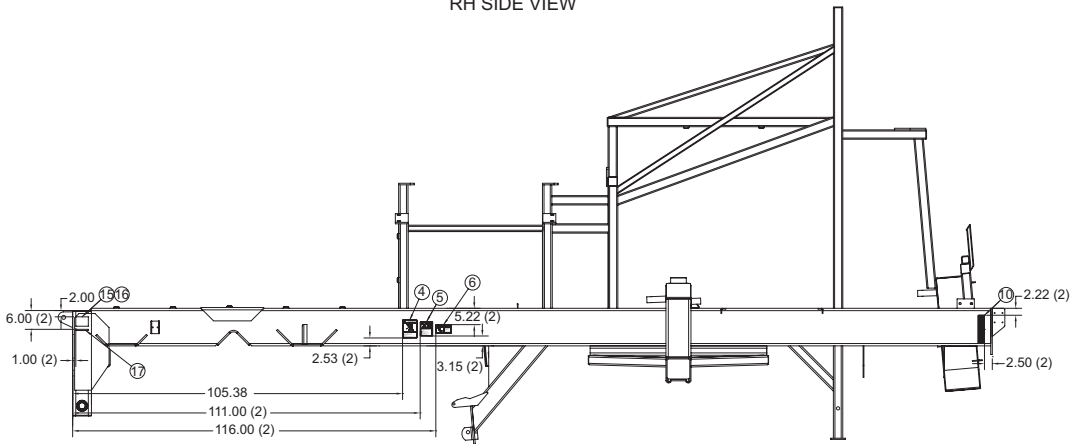


ITEM NO.	PART NUMBER	DESCRIPTION	QTY.
1	526780	HARNESS, WISHBONE 6812	1
2	JPT1296	BRACKET, STORING HOLDER	1
3	149670	TIE, 3/16 X 11 CABLE	20
4	476510	LAMP ASSY., AMBER	2
5	476520	LAMP ASSY., RED REAR	2
6	476540	CONVERTER, AG SAFETY LIGHT	1
7	563500	HARNESS, PRI. SAFETY LIGHTS	1
8	476640	BOLT, HEX MACH #10-24 X 1-1/2	4
9	120600	WASHER, LOCK #10 X 21/64 X 3/64	4
10	120590	NUT, HEX 10-24	4
11	036890	CLIP, PLASTIC LOOP, ADHESIVE	25
12	027660	NUT, HEX 1/4-20	8
13	029440	WASHER, LOCK 1/4	8
14	223540	BOLT, HHCS 1/4-20 X 1-3/4	8
15	583770	GUARD, WIRE CHANNEL	1
16	586280	SCREW, PHMS 1/4-20 X 3/4	4
20	476510	LAMP ASSY., AMBER	2
21	149670	TIE, 3/16 X 11 CABLE	10
22	042960	BOLT, HHCS 1/4-20 X 1	4
23	029440	WASHER, LOCK 1/4	4

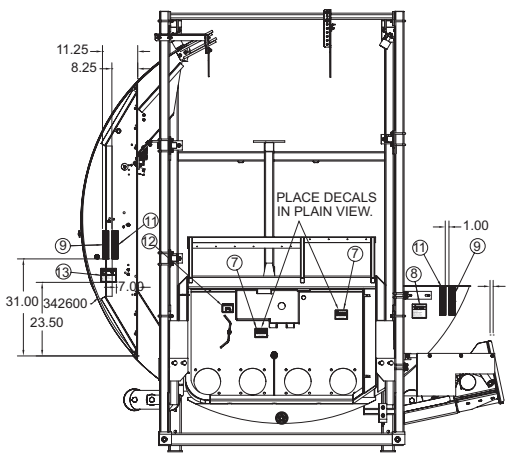
MAIN FRAME, DECALS



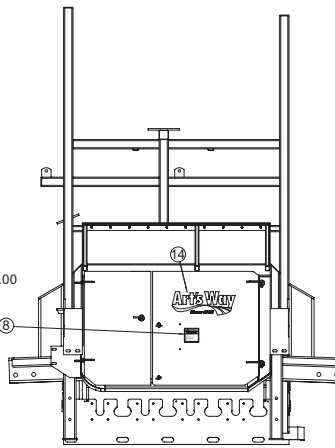
RH SIDE VIEW



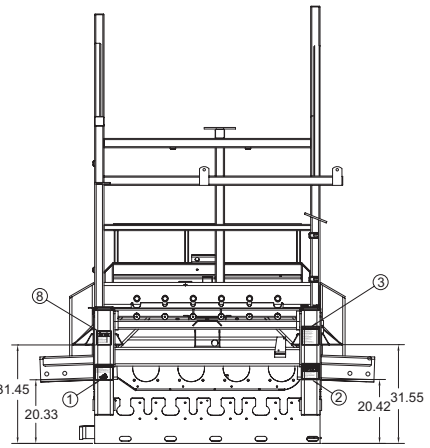
LH SIDE VIEW



REAR VIEW



DOOR DECALS



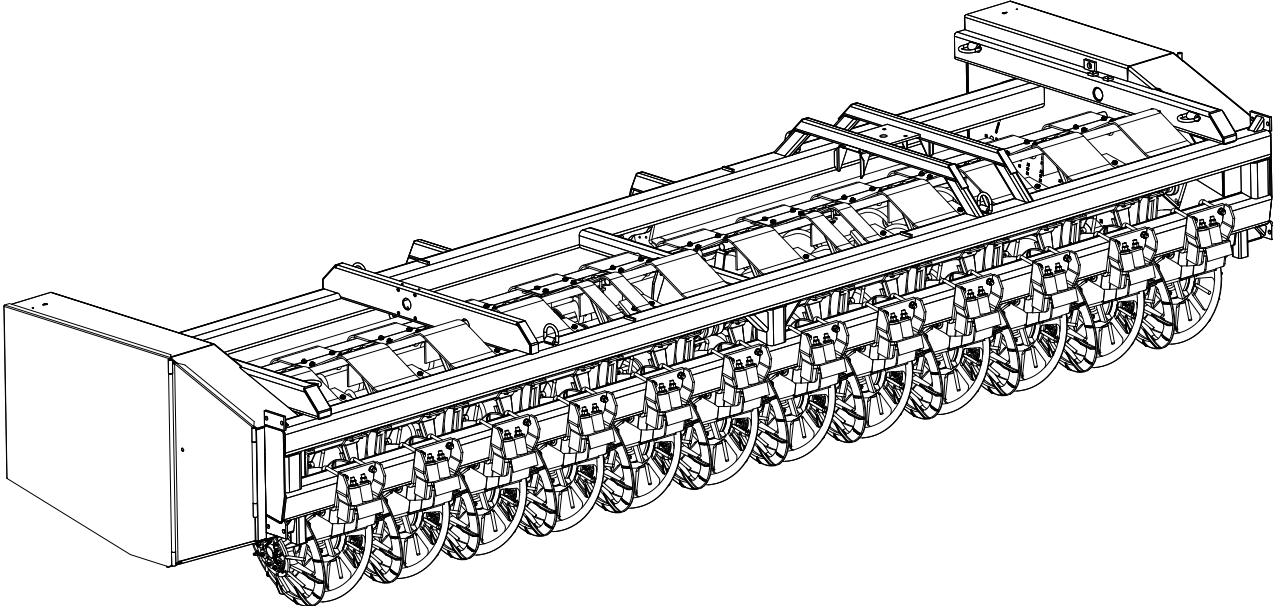
FRONT VIEW

ITEM NO.	PART NUMBER	DESCRIPTION	QTY.
1	345420	DECAL, ROWFINDER INSTRUCTIONS	1
2	346310	DECAL, WARNING HIGH PRESS. FLUID	1
3	368040	DECAL, CAUTION SAFETY INSTRUCTIONS	1
4	467400	DECAL, WARNING FLYING OBJECT	2
5	467410	DECAL, DANGER ROTATING ROLL	2
6	467420	DECAL, WARNING RIDERS FALLING	2
7	467430	DECAL, DANGER SHIELD MISSING	2
8	467450	DECAL, WARNING MOVING PART	1
9	476450	TAPE, RED REFLECT.	2
10	476460	TAPE, YELLOW REFLECT.	2
11	476470	TAPE, RED-ORANGE REFLECT.	2
12	289500	DECAL, SPRING LENGTH	1
13	510730	DECAL, WARNING FERRIS WHEEL	1
14	582430	DECAL, ARTS-WAY LOGO 20.1" CREAM/SILVER	1
15	355500	TAG, SERIAL NUMBER	1
16	204510	NAIL, 1/4 GRIP	4
17	133420	PATENT PENDING	2
18	564840	DECAL, PATENT #6812	1

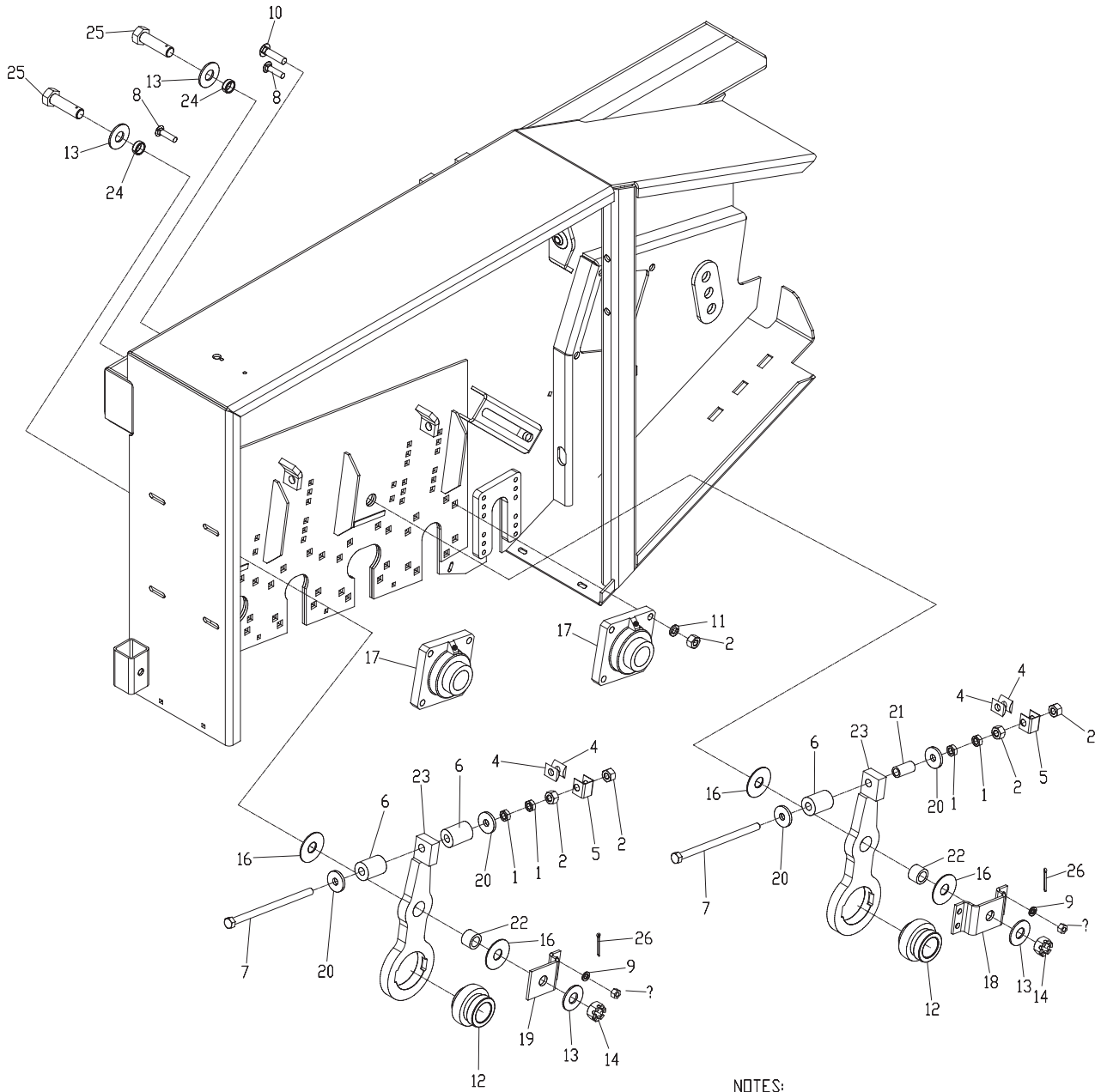
**THIS PAGE
LEFT
INTENTIONALLY
BLANK**

SECTION 2: 12R22 HEAD

12 ROW 22 (12R22)



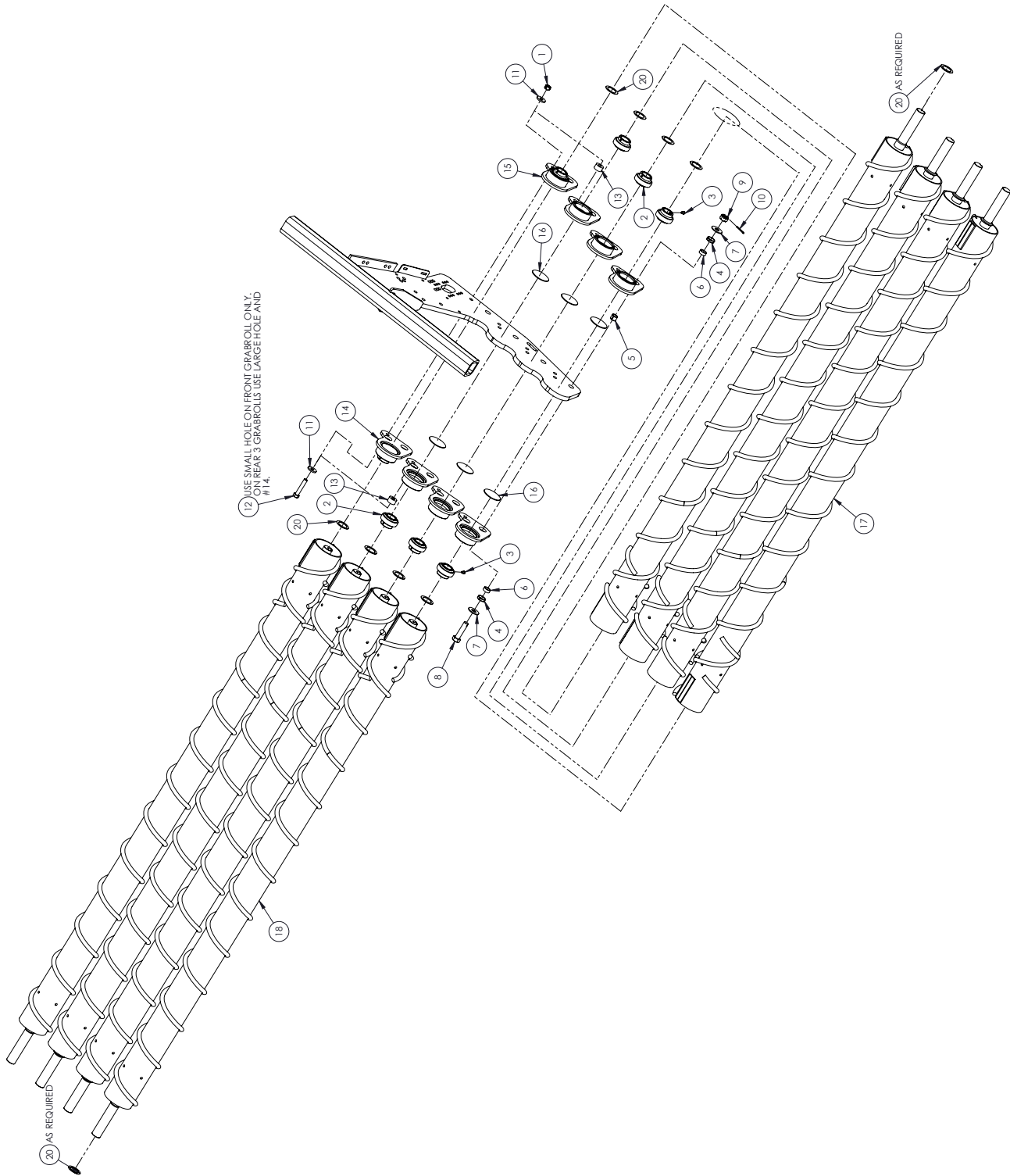
ROLLER GROUPING - GRABROLL - MOUNTING STEEL ROLLS ASSEMBLY, (ALL HEADS)



NOTES:
 1. LEFT SIDE ASSEMBLY SAME AS RIGHT.
 2. SET FLEX PAD (ITEM 6) TO 2 INCHES.

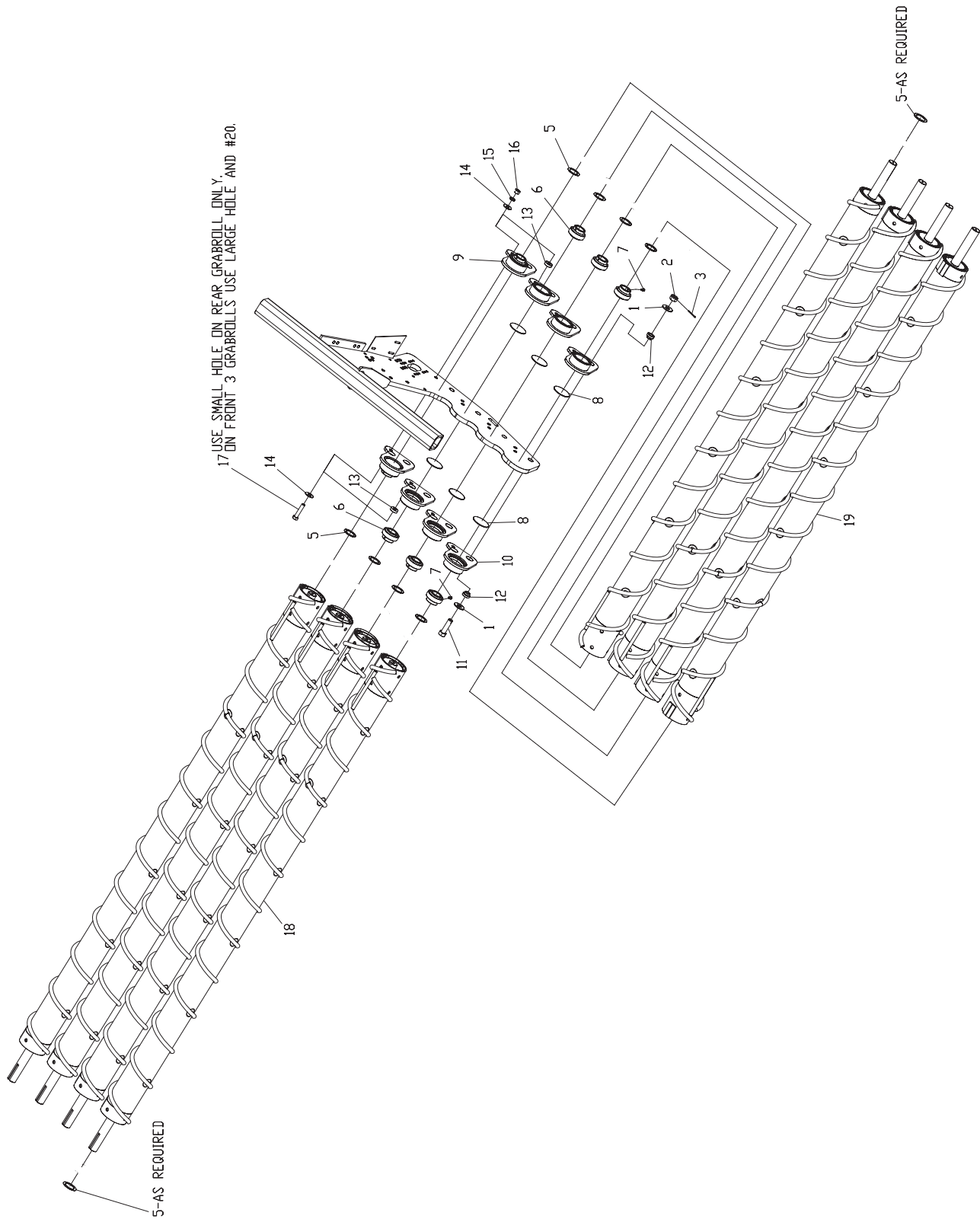
ITEM NO.	PART NUMBER	NOMENCLATURE	QTY.
1	344630	NUT, JAM 5/8-11 HEX	8
2	1124589	NUT, HEX 0.6250-11-D-ZN	12
3	005360	NUT, HEX 1/2-13	6
4	264780	TENSION ROCKER	8
5	344310	CLIP, RETAINER DRIVE	4
6	515320	PAD, FLEX 1.75 X 0.75 X 2.38L	6
7	J08H4753	HBOLT 0.6250-11 X 10.5 SPCL GR8	4
8	991200	RHSN BOLT 0.5-13 X 2 X 2-N	6
9	005370	WASHER, LOCK 1/2 ZN	6
10	J03H0858	RHSN BOLT 0.625-11 X 2.50 GR 5 ZN	8
11	020440	WASHER, LOCK 5/8	8
12	501150	BEARING, BALL 2.0	4
13	990720	WASHER, FLAT 1 INCH STD ZN	8
14	344280	NUT, SLOTTED 1-14	4
16	264740	WASHER, HARDENED 1-1/16 X 3.00 X 12 GA	8
17	E072445	BEARING, FLANGE, 2 INCH BORE, W/LK COLLAR	4
18	264770	BRACKET, GRABROLL ARM	2
19	559180	BRACKET, 2 HOLE	2
20	340310	WASHER, FLAT 0.66 ID X 2.00 OD X 0.25	8
21	413980	SPACER 1.00 ID X 0.687 ID X 2.00	2
22	264730	BUSHING, GRABROLL ARM	4
23	346110	ARM ASSY, GRABROLL DRIVE	4
24	344250	BUSHING, STEEL 1 X 1-1/4 X 1/2	4
25	344270	BOLT, HHCS 1-14 X 3-1/2 DRILL	4
26	003950	PIN, COTTER 3/16 X 2	4

ROLLER GROUPING - STEEL GRABROLL ASSEMBLY, (8R28/30, 12R22)



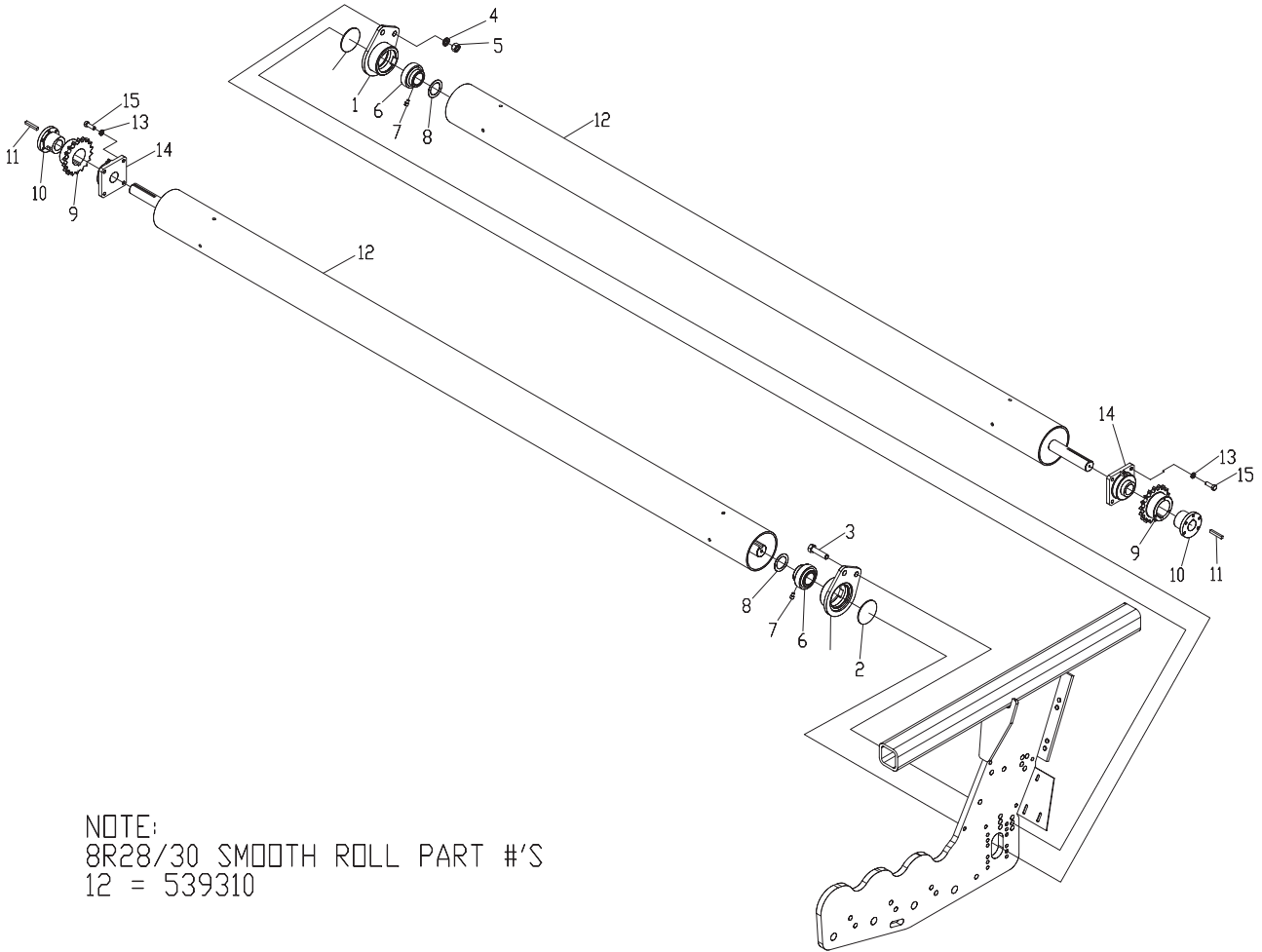
ITEM NO.	PART NUMBER	DESCRIPTION	QTY.
1	152360	NUT, LOCK 3/4-10 HEX	4
2	538410	BEARING, BALL 2.0	8
3	538470	SCREW, SHCS 3/8-24 x1/2"	8
4	538420	BUSHING, STEEL 1-1/2 x 1-3/4 x 1/2	8
5	V180220	BUSHING, STEEL	4
6	538440	BUSHING, CTR	8
7	990720	WASHER, FLAT 1" STD	8
8	538430	BOLT, HHCS 1-14 x 4 DRILLED Gr8 ZN	4
9	344280	NUT, CASTLE 1-14	4
10	003950	PIN, COTTER 3/16 X 2	4
11	538810	WASHER, FLAT .812 x 2.00	8
12	990590	HBOLT 0.7500-10x4 GR5 ZN	4
13	248920	PAD, FLEX 1.75 x 0.75	6
14	559130	ARM WLDT, '07 LH	4
15	559140	ARM WLDT, '07 RH	4
16	561670	BEARING COVER	8
17	539250	ROLL WLDT,DIVERTER	4
18	539240	ROLL WLDT,DIVERTER	4
20	I21787R1	WASHER, FLAT 2.06 x 2.94 x .06	16

ROLLER GROUPING - POLY GRABROLL ASSEMBLY, (12R22)



ITEM NO.	PART NUMBER	DESCRIPTION	QTY.
1	990720	WASHER, FLAT 1 INCH STD. ZN	8
2	344280	NUT, SLOTTED 1-14	4
3	003950	PIN, COTTER 3/16 X 2	4
5	I21787R1	WASHER, FLAT 2.06 X 2.94 X 0.06	16
6	538410	BEARING, BALL 2.0	8
7	538470	SCREW, SHCS 3/8-24 X 1/2 GR8 BLO	8
8	561670	BEARING COVER	8
9	559140	ARM WLDT., '07 RH	4
10	559130	ARM WLDT., '07 LH	4
11	344270	BOLT, HHCS 1-14 X 3-1/2 DRILL	4
12	575080	BUSHING, CENTER	8
13	538450	BUSHING, SPACER	8
14	990710	WASHER, FLAT 3/4 STD.	8
15	036800	LOCK WASHER 3/4 INCH SAE MED	4
16	J14H794	NUT, HEX 3/4-10 GR5 ZN	4
17	990830	BOLT, HHCS 3/4-10 X 3-1/2	4
18	539350	WLDT., RH POLY CONV. ROLL – 128.75 LENGTH (COMPLETE)	4
19	539340	WLDT., LH POLY CONV. ROLL – 128.75 LENGTH (COMPLETE)	4

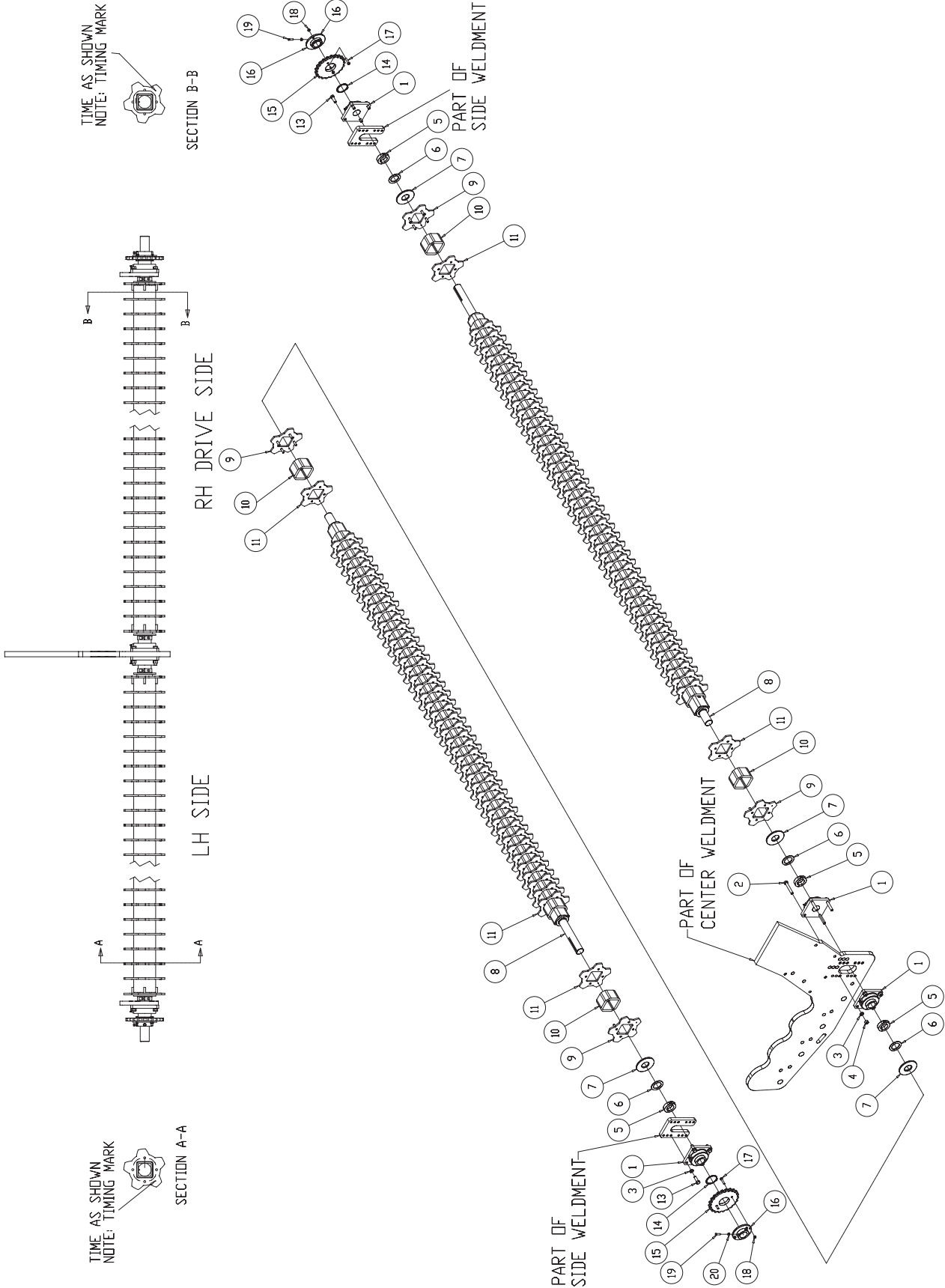
ROLLER GROUPING – SMOOTH ROLL ASSEMBLY, (8R28/30, 12R22)



NOTE:
8R28/30 SMOOTH ROLL PART #'S
12 = 539310

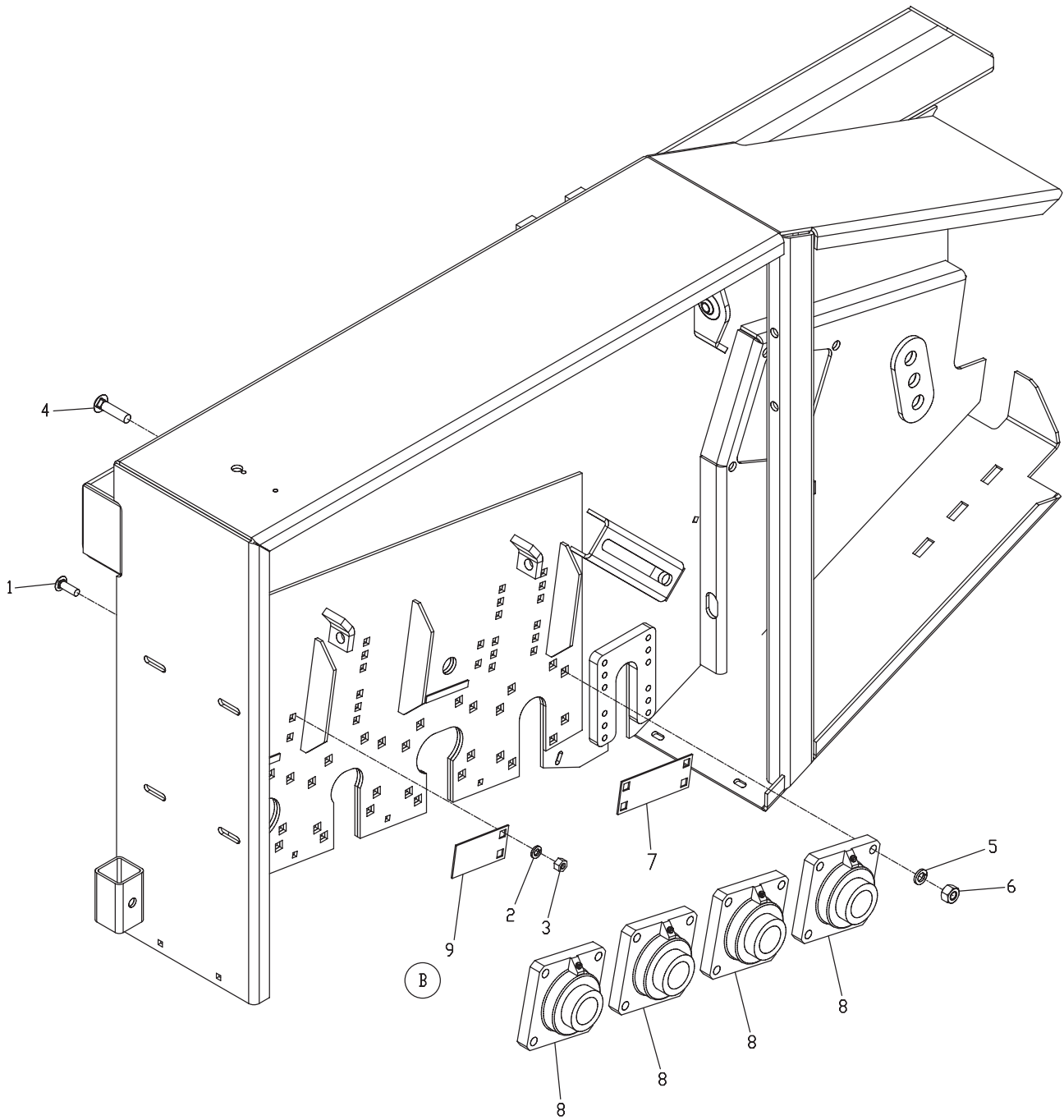
ITEM NO.	PART NUMBER	DESCRIPTION	QTY.
1	538390	SUPPORT WLDT	2
2	561670	BEARING COVER	2
3	990570	BOLT, HHCS 3/4-10 x 3	2
4	036800	LW 3/4 INCH SAE MED	2
5	J14H794	NUT, HEX 3/4-10 GR5 ZN	2
6	538410	BEARING, BALL 2.0	2
7	538470	SCREW, SHCS 3/8-24	2
8	452880	WASHER, FLAT 2.06 x 2.94 x 0.06	2
9	E741066	SPROCKET, 80Q18	2
10	288070	BUSHING, SPLIT TAPER Q1 1-3/4 INCH	2
11	167920	KEY, SQUARE 3/8 x 2.5	2
12	539300	ROLL WLDT, SMOOTH (12R22)	2
12A	539310	ROLL WLDT, SMOOTH (8R28/30)	2
13	005370	WASHER, LOCK 1/2 ZN	8
14	E072489	BEARING, FLANGE 1-3/4 4 BLT	2
15	014770	BOLT, HHCS 1/2-13	8

ROLLER GROUPING - STAR ROLL ASSEMBLY, (12R22)



ITEM NO.	PART NUMBER	DESCRIPTION	QTY.
1	E072489	BEARING, FLANGE 1-3/4 4 BLT	4
2	041410	HHCS, 1/2-13 X 3.25, G5, ZN	4
3	005370	WASHER, LOCK 1/2 ZN	12
4	005360	NUT, HEX 1/2-13	4
5	287700	LOCK COLLAR	4
6	E126034	BUSHING, 1.88 X 2.8 X 0.134	4
7	566080	DISK, STAR RETAIN	4
8	566040	SHAFT WLDT.	2
9	575030	WLDT., STAR AND TUBE	4
10	575000	SPACER, STAR ROLL POLY	88
11	566010	PLATE, STAR	86
12	551650	PLATE, SIDE BRG. MTG.	2
13	014770	BOLT, HHCS 1/2-13	8
14	040290	RING, RETAINING	2
15	557430	SPROCKET, PLATE	2
16	532460	HUB WLDT., SHEAR	2
17	025760	BOLT, HHCS 5/16-18 X 1-1/2	4
18	025670	HEX NUT 0.3125-18-D-N	4
19	039730	SCREW, SQHSS 5/16-18 X 1	4
20	035500	NUT, JAM 5/16-18 HEX	4

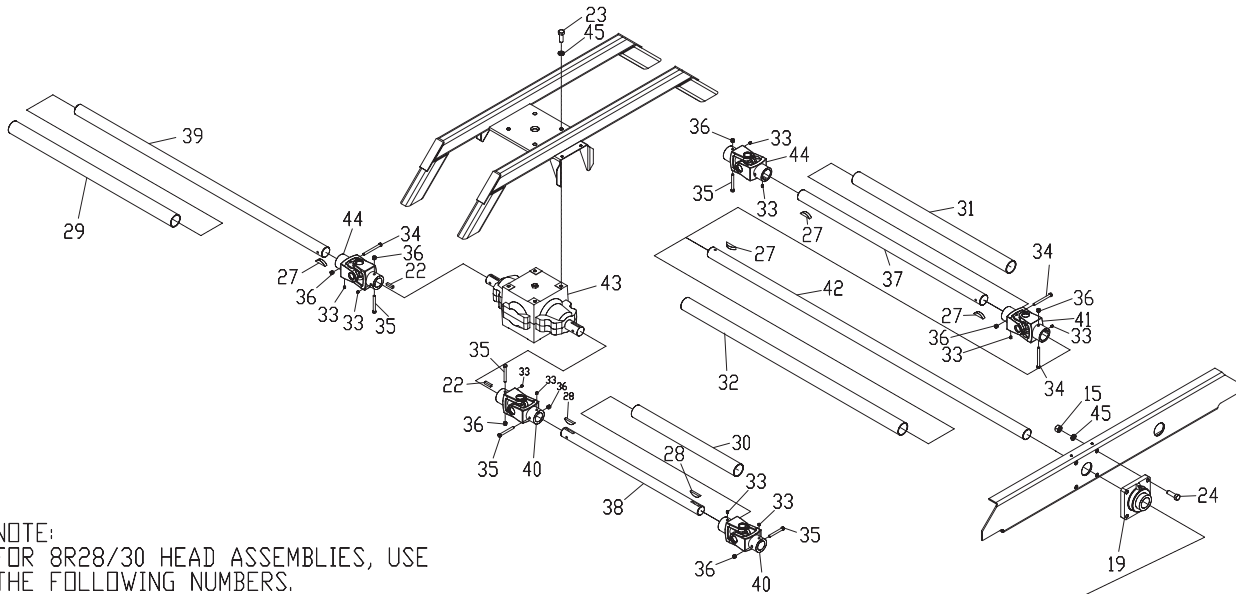
ROLLER GROUPING - GRABROLL - MOUNTING POLY ROLLS ASSEMBLY, (ALL HEADS)



LEFT SIDE ASSEMBLY SAME AS RIGHT.

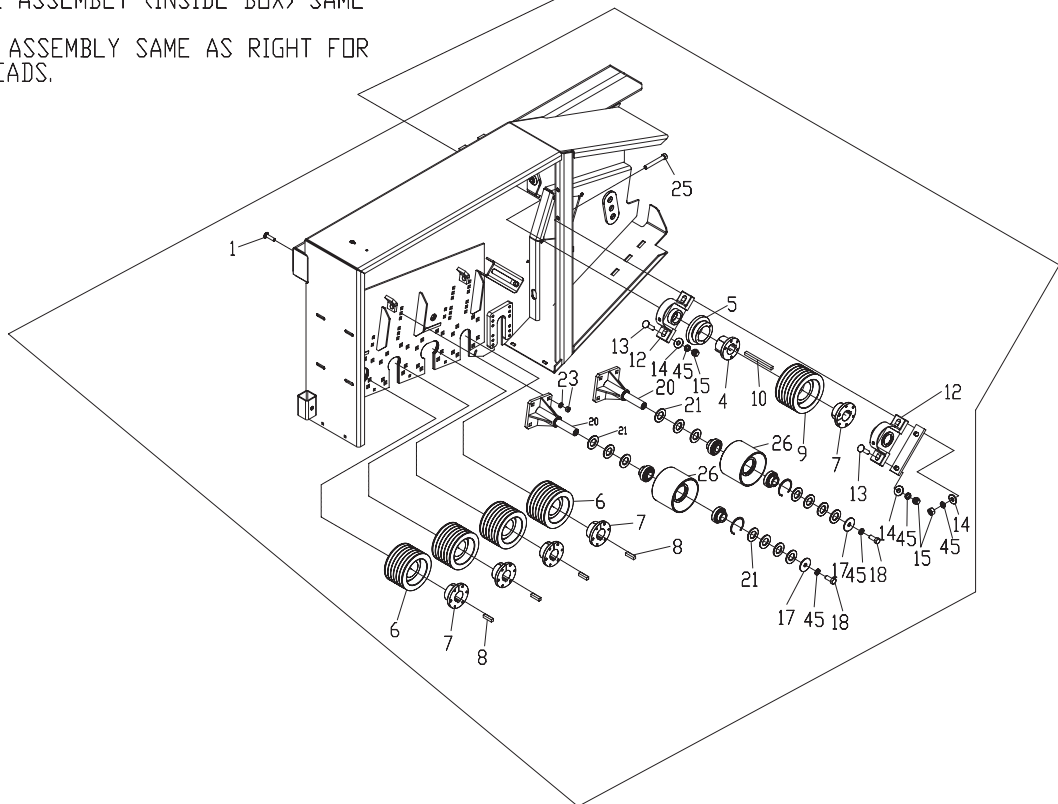
ITEM NO.	PART NUMBER	DESCRIPTION	QTY.
1	156850	BOLT, CRG 1/2-13 X 1-1/2 SSN GR5 ZN	6
2	005370	WASHER, LOCK 1/2 ZN	6
3	005360	NUT, HEX 1/2-13	6
4	J03H1858	RHSNBOLT 0.625-11 X 2.50 GR 5 ZN	16
5	020440	WASHER, LOCK 5/8	16
6	I124589	NUT , HEX 0.6250-11-D-ZN	16
7	538820	PLATE, COVER	1
8	E072445	BEARING, FLANGE, 2 INCH BORE, W/LK COLLAR	4
9	575510	PLATE, COVER HALF	1

ROLLER GROUPING - CONVEYOR ROLLER DRIVES ASSEMBLY, (8R28/30, 12R22)



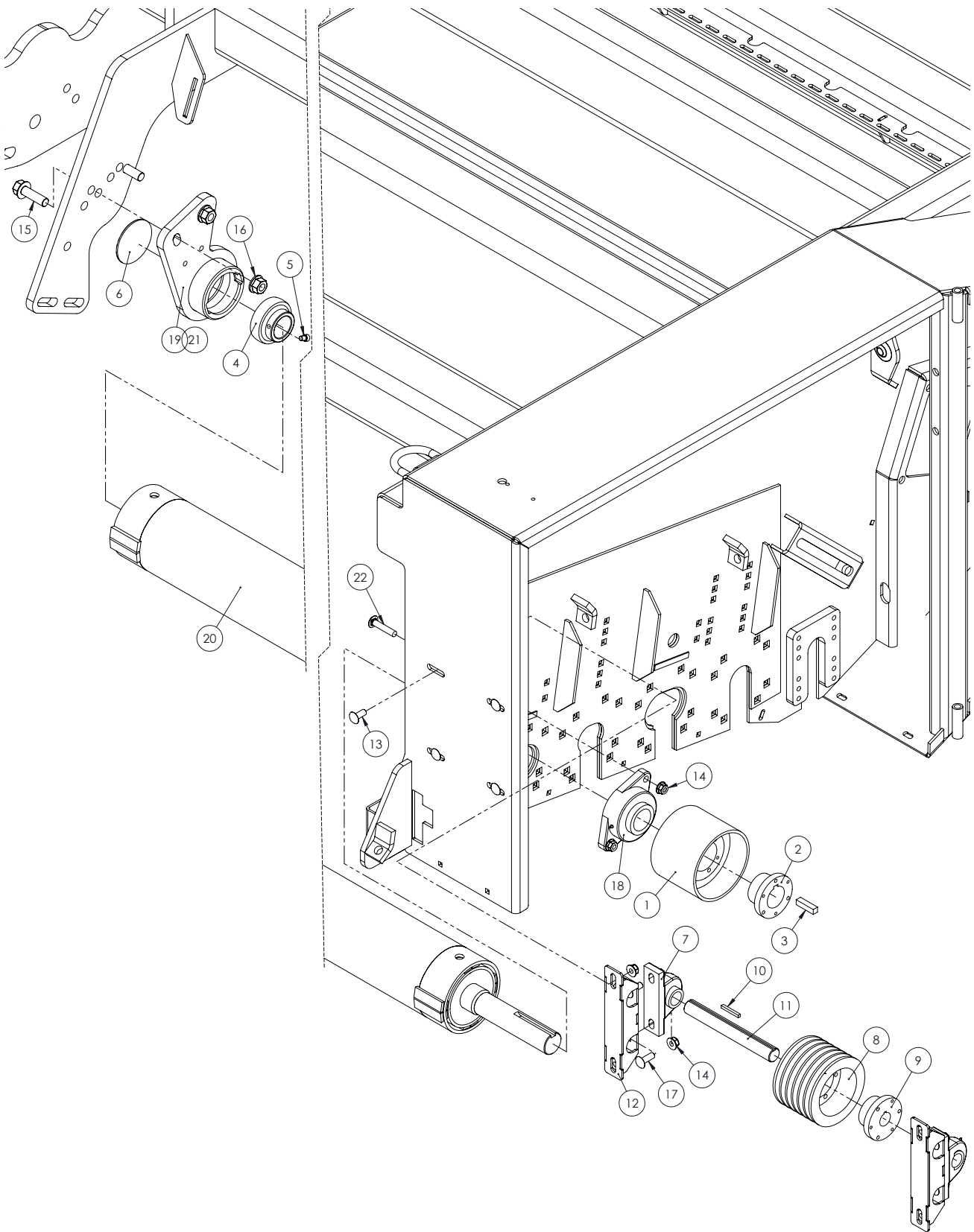
NOTE:
 FOR 8R28/30 HEAD ASSEMBLIES, USE
 THE FOLLOWING NUMBERS.
 29 - 525970
 31 - 525970
 37 - 553720
 39 - 555010

RIGHT SIDE DRIVE ASSEMBLY (INSIDE BOX) SAME
 FOR ALL HEADS.
 LEFT SIDE DRIVE ASSEMBLY SAME AS RIGHT FOR
 12R22-8R28/30 HEADS.



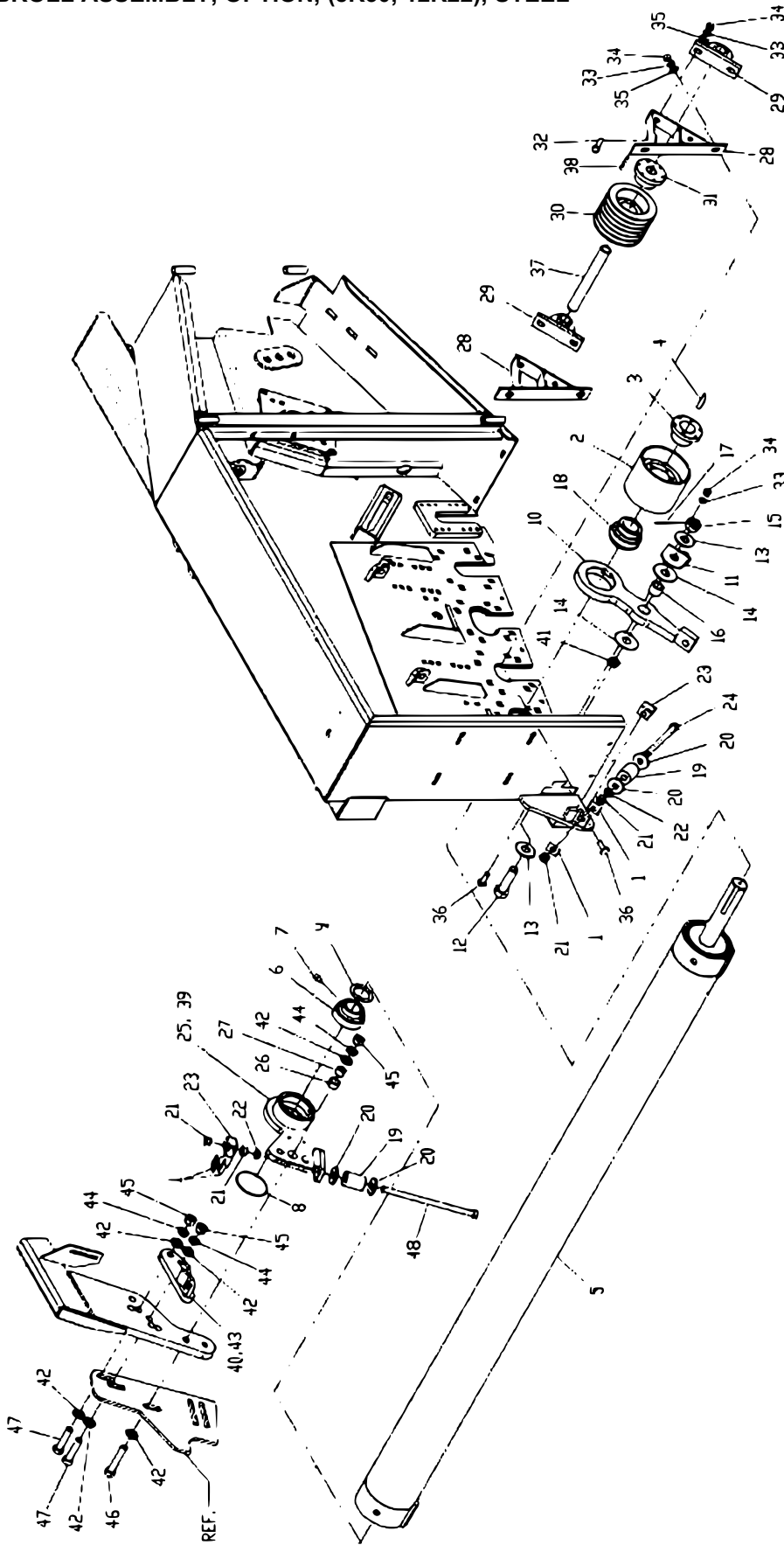
ITEM NO.	PART NUMBER	DESCRIPTION	QTY.
1	463750	BOLT, CRG, 1/2-13 X 2 SSN GR5 ZN	8
2	005370	WASHER, LOCK 1/2 ZN	8
3	005360	NUT, HEX 1/2-13	8
4	E126080	BUSHING, SPLIT TAPER	1
5	E741067	SPROCKET, 80Q15	1
6	561450	SHEAVE, 6 GRV 5V X 7.10 OD	4
7	251220	BUSHING, QD, SF 2 INCH BORE, 1/2 INCH KW	5
8	R66305	KEY SQ, 1/2 X 2	4
9	561460	SHEAVE, 6 GRV 5V X 7.50 OD	1
10	552070	KEY, SQ 1/2 X 6-1/2	1
11	523630	MOUNT WLDT, BRG	1
12	E072358	PB BEARING, 2.0 BORE	2
13	J03H1858	RHSNBOLT 0.625-11 X 2.50 GR 5 ZN	4
14	020430	WASHER, FLAT 5/8 STD	6
15	I124589	NUT, HEX 0.6250-11-D-ZN	10
16	020440	WASHER, LOCK 5/8	12
17	561500	WASHER, FLAT 5/8 ID	2
18	990610	BOLT, HHCS 5/8-11 X 1 1/2 GR5 ZN	2
19	E072445	BEARING, FLANGE, 2 INCH BORE, W/LK COLLAR	1
20	559160	MOUNT WLDT, IDLER	2
21	E829022	FW 1.25	14
22	006670	KEY, SQUARE 3/8 X 1-1/2	2
23	025100	HBOLT 0.6250-11 X 1.75 ZN	4
24	990620	BOLT, HHCS 5/8-11 X 2	4
25	028330	BOLT, HHCS 5/8-11 X 4-1/2	2
26	561480	SHEAVE ASSY, IDLER 1.25 ID	2
26A	112550	BEARING, BALL 1-1/4 COD	1
26B	E642027	RING, RETAINING	1
27	498120	KEY, WOODRUFF 1/2 X 2-3/4	4
28	231950	KEY, WOODRUFF 3/8 X 2-3/4	2
29	569520	SHIELD, INNER SPIN (12R22)	1
29A	525970	SHIELD, INNER SPIN (8R28/30)	1
30	496850	SHIELD, INNER SPIN	1
31	569510	SHIELD, INNER SPIN (12R22)	1
31A	525970	SHIELD, INNER SPIN (8R28/30)	1
32	525940	SHIELD, INNER SPIN	1
33	218660	SCREW, HSSS 3/8-16 X 3/8	10
34	991150	BOLT, HHCS 3/8-16 X 4	3
35	I189304	BOLT, HHCS 3/8-16 X 3-1/4	5
36	073630	NUT, LOCK 3/8-16	8
37	532730	SHAFT, RH DRIVE (12R22)	1
37A	532720	SHAFT, RH DRIVE (8R28/30)	1
38	552080	SHAFT, LH DRIVE	1
39	552090	SHAFT, LH DRIVE (12R22)	1
39A	555010	SHAFT, LH DRIVE (8R28/30)	1
40	286520	U JOINT, 1-3/4 RB X 1-3/4 RB	2
41	532060	U-JOINT, 2 X 2	1
42	552100	SHAFT, RH DRIVE	1
43	538460	GEARBOX, 1:1 REVERSE	1
44	439110	U-JOINT, 1-3/4 X 2, 2500	2
	561420	BELT, BANDED 6-5V2120 - REAR GRABROLL OPTION	1
	561430	BELT, BANDED 6-5V2000 - REAR DIVERTER ROLL OPTION	1

GRABROLL ASSEMBLY, OPTION, (8R30, 12R22), POLY



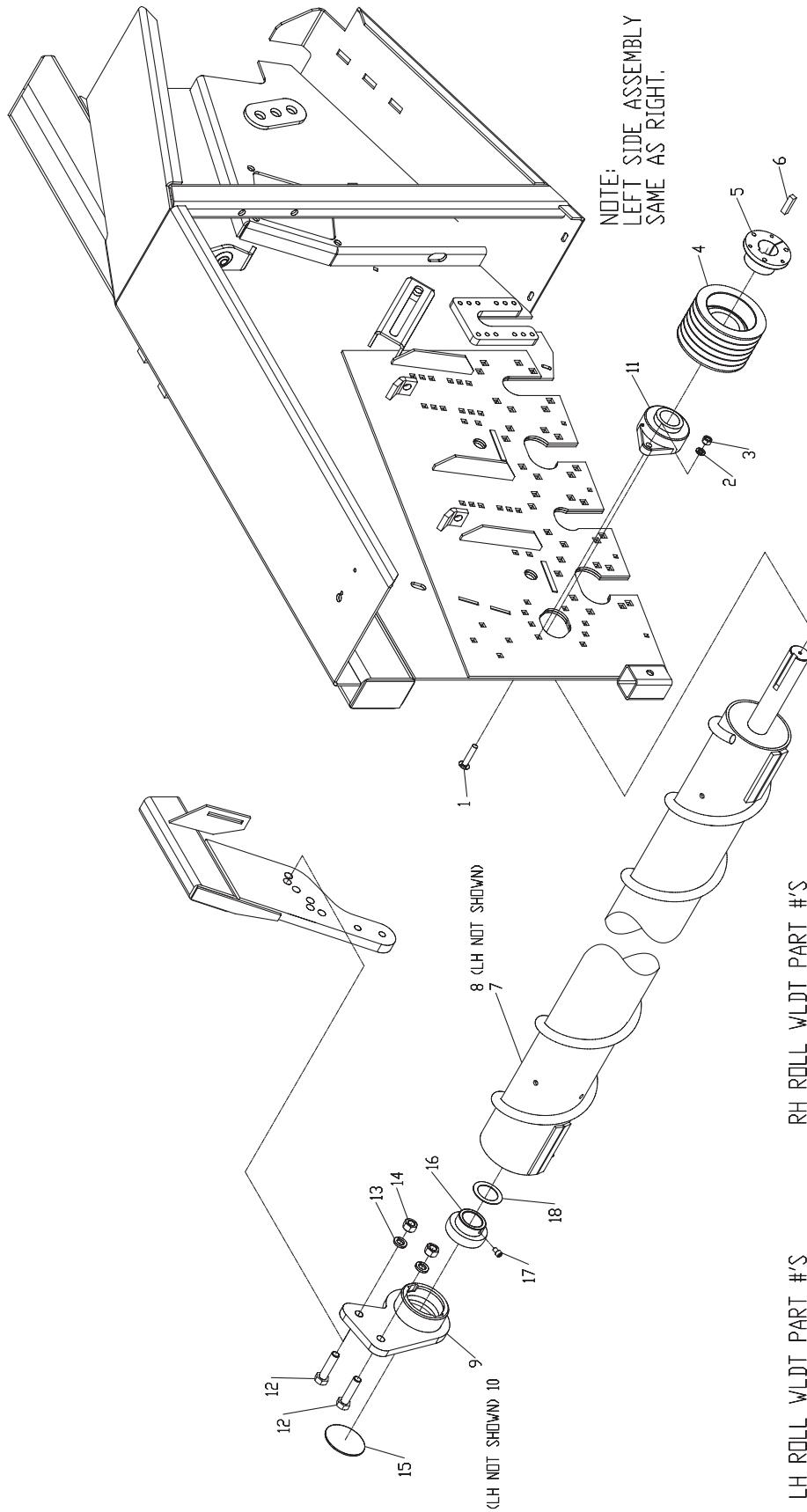
ITEM NO.	PART NUMBER	DESCRIPTION	QTY.
1	561090	SHEAVE WELDMENT, FLAT	2
2	346340	BUSHING, QD SK 2 Bore	2
3	R66305	KEY SQ, 1/2 X 2"	2
4	538410	BEARING, BALL 2.0	2
5	538470	SCREW, SHCS 3/8-24 x1/2"	2
6	561670	BEARING COVER	2
7	035090	BEARING, PB CI HSG 1.25 W/LC	4
8	561440	SHEAVE, 5V - 6 GRV	2
9	561140	BUSHING, QD SK	2
10	014630	KEY, SQ 1/4 X 2	2
11	561260	SHAFT, 1-1/4" DIA	2
12	606910	MOUNT, PB BEARING	4
13	030470	BOLT, CRG 1/2-13 X 1-1/4"	8
14	600140	NUT, HFH NYLOC 1/2-13	20
15	600430	BOLT, HFH 3/4-10 X 2-1/2"	4
16	600160	NUT, HFH TOPLOCK 3/4-10	4
17	156850	BOLT, CRG 1/2-13 X 1-1/2"	8
18	551130	Bearing, FLG 2.00"	2
19	559990	ARM WLDT, RH	1
20	561310	ROLL WLDT, REAR	2
21	561020	ARM WLDT, LH	1
22	J03H1593	BOLT, CRG 1/2-13 x 2-1/2 SSN Gr5 ZN	4

GRABROLL ASSEMBLY, OPTION, (8R30, 12R22), STEEL



ITEM NO.	PART NUMBER	DESCRIPTION	QTY.
1	264780	TENSION ROCKER	8
2	561090	SHEAVE WLDT, FLAT	2
3	356340	BUSHING, QD SK 2 BORE	2
4	R66305	KEY, SQ, 1/2 X 2	2
5	561310	ROLL WLDT, REAR (12R22)	2
5A	561300	ROLL WLDT, REAR (8R30)	2
6	538410	BEARING, BALL 2.0	2
7	538470	SCREW, SHCS 3/8-24 X 1/2 GR8 BLO	2
8	561670	BEARING COVER	2
9	452880	WASHER, FLAT 2.06 X 2.94 X .06	2
10	346110	ARM ASSY, GRABROLL DRIVE	2
11	559180	BRACKET, 2 HOLE	2
12	344270	BOLT, HHCS 1-14 X 3-1/2 DRILL	2
13	990720	WASHER, FLAT 1.00 STD ZN	4
14	264740	WASHER, HARDENED 1-1/16 X 3.00 X 12GA.	4
15	344280	NUT, SLOTTED 1-14	2
16	264730	BUSHING, GRABROLL ARM	2
17	003950	PIN, COTTER 3/16 X 2	2
18	501150	BEARING, BALL 2.0	2
19	515320	PAD, FLEX 1.75 X 0.75 X 2.38L	4
20	340310	WASHER, FLAT .66 ID X 2.00 OD X .25	8
21	I124589	HNUT, 0.6250-11-D-ZN	8
22	344630	NUT, JAM 5/8-11 HEX	4
23	344310	CLIP, RETAINER DRIVE	4
24	242600	BOLT, HHCS 5/8-11 X 7-1/2 GR5 ZN	4
25	577460	ARM WLDT, RH	1
26	I1337411C1	BUSHING, 1.25 OD X 1.00 ID X .75	2
27	577550	BUSHING, MACH. 1.00	2
28	568650	MNT WLDT, GRABROLL	4
29	035090	BRG, PB, CI HSG 1.25 W/LC	4
30	561440	SHEAVE, 6 GRV 5V X 6.30 OD	2
31	561140	BUSHING, QD SK	2
32	023950	BOLT, HHCS 1/2-13 X 2 GR5 ZN	8
33	005370	WASHER, LOCK 1/2 ZN	16
34	005360	NUT, HEX 1/2-13	16
35	005200	WASHER, FLAT 1/2 STD	16
36	156850	BOLT, CRG 1/2-13 X 1-1/2 SSN GR5 ZN	8
37	561260	SHAFT, 1.25 DIA.	2
38	014630	KEY, SQ 1/4 X 2.00	2
39	577470	ARM WLDT, LH	1
40	577520	BRACKET, CUSHION RH	1
41	344250	BUSHING, STEEL, 1 X 1-1/4 X 1/2	2
42	I131017	FW, 0.812	12
43	577530	BRACKET, CUSHION LH	1
44	036800	LW, 3/4 SAE MED	6
45	J14H794	NUT, HEX 3/4-10 GR5 ZN	6
46	990590	HBOLT, 0.7500-10 X 4 GR5 ZN	2
47	990580	HBOLT, 0.7500-10 X 3.25 GR5 ZN	4
48	587130	ROD WLDT, TAKE-UP 13"	2

DIVERTER ROLL GROUPING ASSEMBLY, (ALL HEADS)



RH ROLL WLDI PART #'S
 ♦ 12R22 - 561770
 ♦ 8R28/30 - 561750
 ♦ 8R22-6R28/30 - 561730

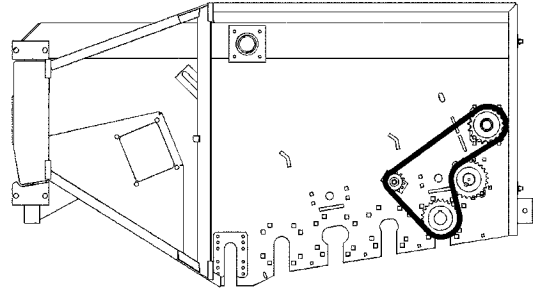
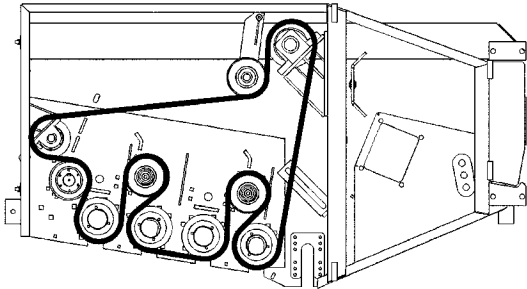
LH ROLL WLDI PART #'S
 ♦ 12R22 - 561760
 ♦ 8R28/30 - 561740
 ♦ 8R22-6R28/30 - 561720

ITEM NO.	PART NUMBER	DESCRIPTION	QTY.
1	J03H1593	BOLT, CRG 1/2-13 X 2-1/2 SSN GR5 ZN	2
2	005370	WASHER, LOCK 1/2 ZN	2
3	005360	NUT, HEX 1/2-13	2
4	561450	SHEAVE, 6 GRV 5V	1
5	251220	BUSHING, QD, SF 2 INCH BORE, 1/2 INCH KW	1
6	R66305	KEY SQ, 1/2 X 2	1
7	561770	ROLL WLDT, RH (12R22)	1
7A	561750	ROLL WLDT, RH (8R28/30)	1
7B	561730	ROLL WLDT, RH (6R28/30 AND 8R22)	1
8	561760	ROLL WLDT, LH (12R22)	1
8A	561740	ROLL WLDT, LH (8R28/30)	1
8B	561720	ROLL WLDT, LH (6R28/30 AND 8R22)	1
9	559960	ARM WLDT, RH	1
10	561240	ARM WLDT, LH	1
11	551130	BEARING, FLG 2.00 INCH	1
12	990570	BOLT, HHCS 3/4-10 X 3	2
13	036800	LW 3/4 INCH SAE MED	2
14	J14H794	NUT, HEX 3/4-10 GR5 ZN	2
15	561670	BEARING COVER	1
16	538410	BEARING, BALL 2.0	1
17	538470	SCREW, SHCS 3/8-24	1
18	I21787R1	WASHER, FLAT 2.06 X 2.94 X 0.06	1

BELT ROUTING

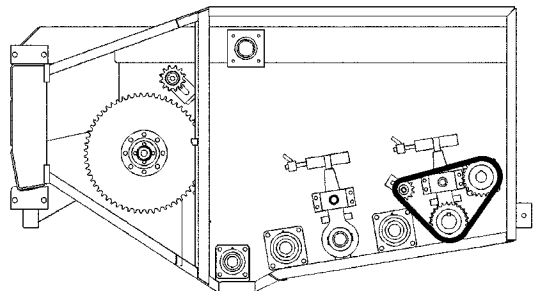
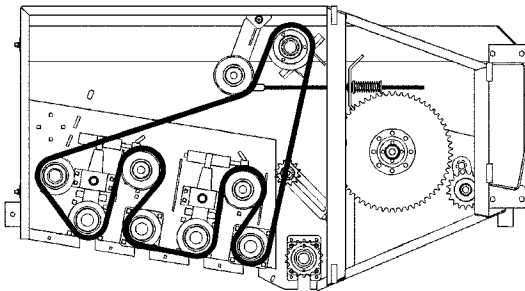
RIGHT SIDE ROUTING OF ALL HEADS
LEFT SIDE SAME FOR 12R22 & 8R28/30

LEFT SIDE ROUTING FOR
8R22 & 6R28/30 ONLY



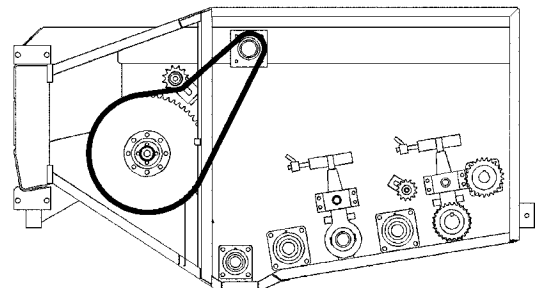
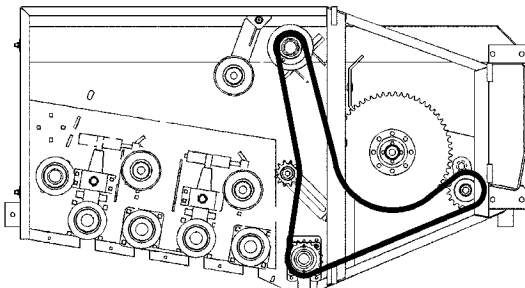
BELT DRIVE – REAR
GRABROLL ROLL OPTION
BELT PART NO. 561420

CHAIN DRIVE – REAR
GRABROLL ROLL OPTION
CHAIN PART NO. 561410



BELT DRIVE – REAR
DIVERTER ROLL OPTION
BELT PART NO. 561430

CHAIN DRIVE – REAR
DIVERTER ROLL OPTION
CHAIN PART NO. 532960



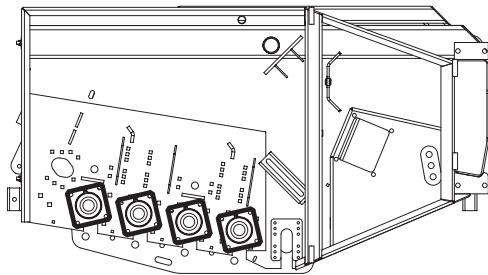
PADDLE SHAFT DRIVE
CHAIN PART NO. 586330

PADDLE SHAFT DRIVE
CHAIN PART NO. 261920

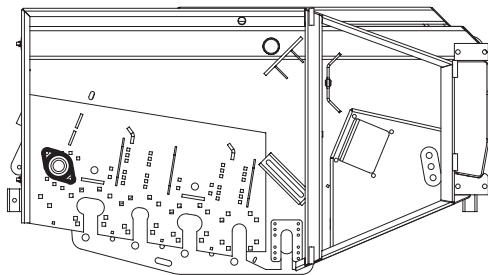
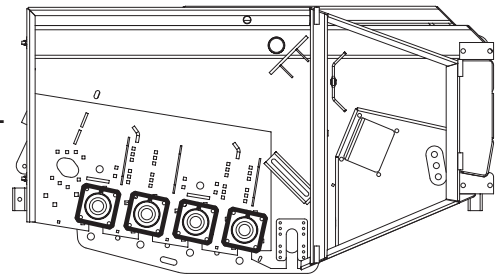
HEADER BEARINGS

OPEN ROLL POSITION

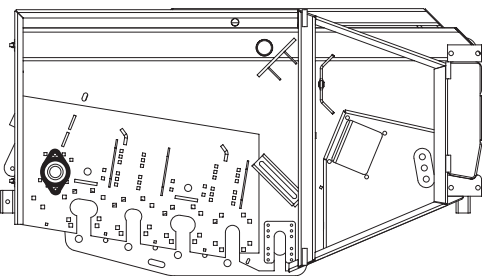
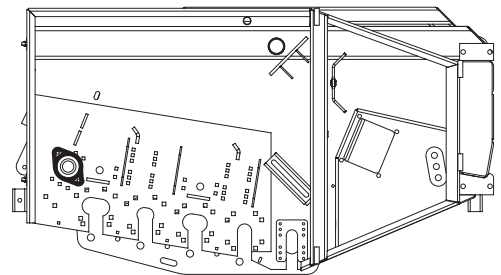
CLOSED ROLL POSITION



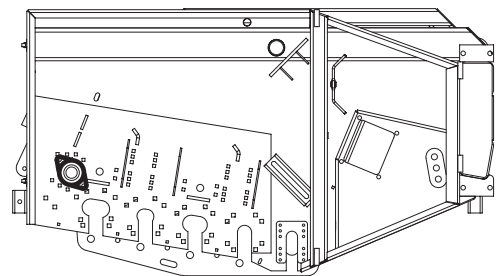
CONVEYOR ROLL BEARINGS



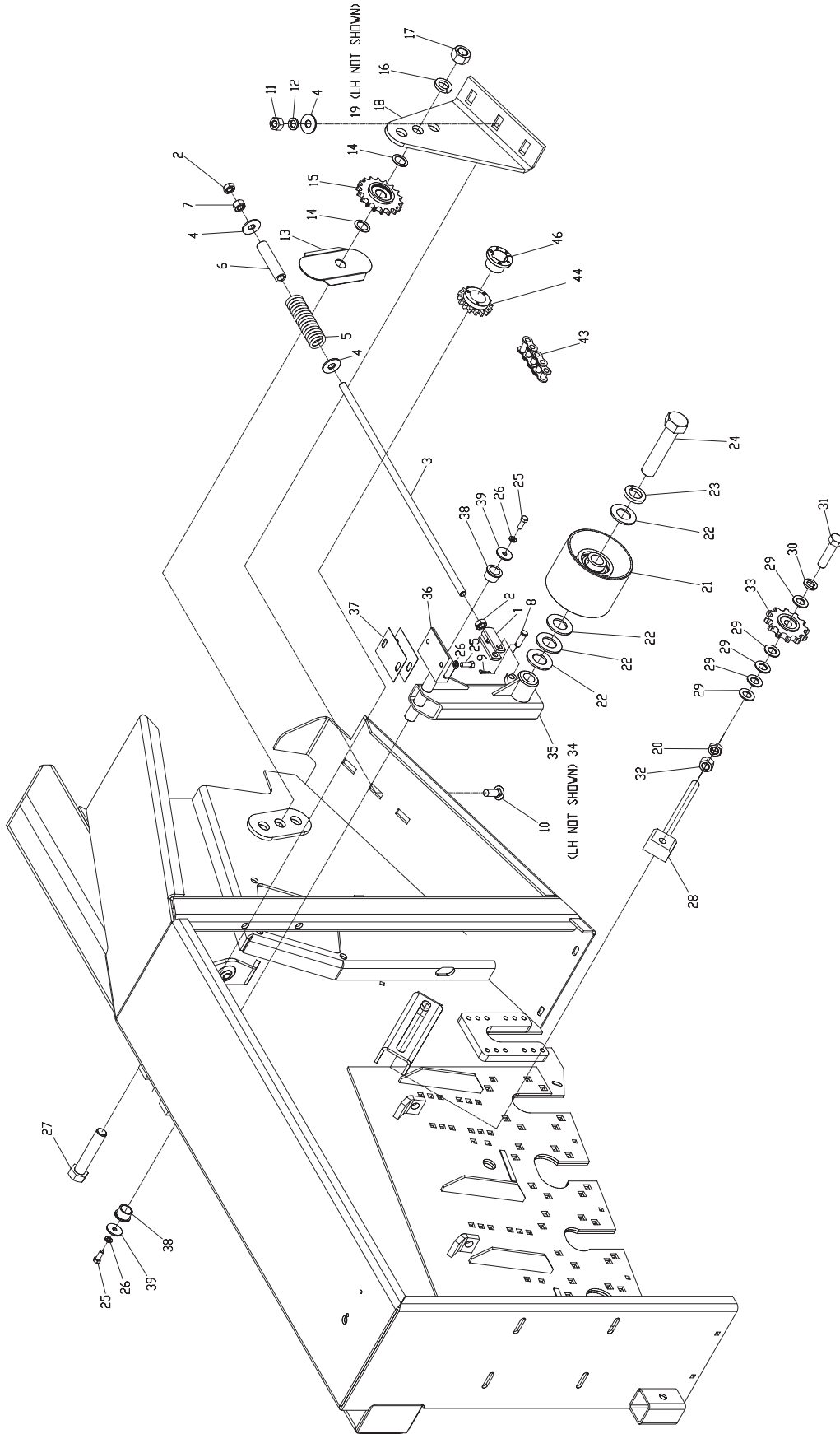
DIVERTER ROLL BEARINGS



GRABROLL BEARINGS



PADDLE SHAFT & CHAIN DRIVES ASSEMBLY, (8R28/30, 12R22)

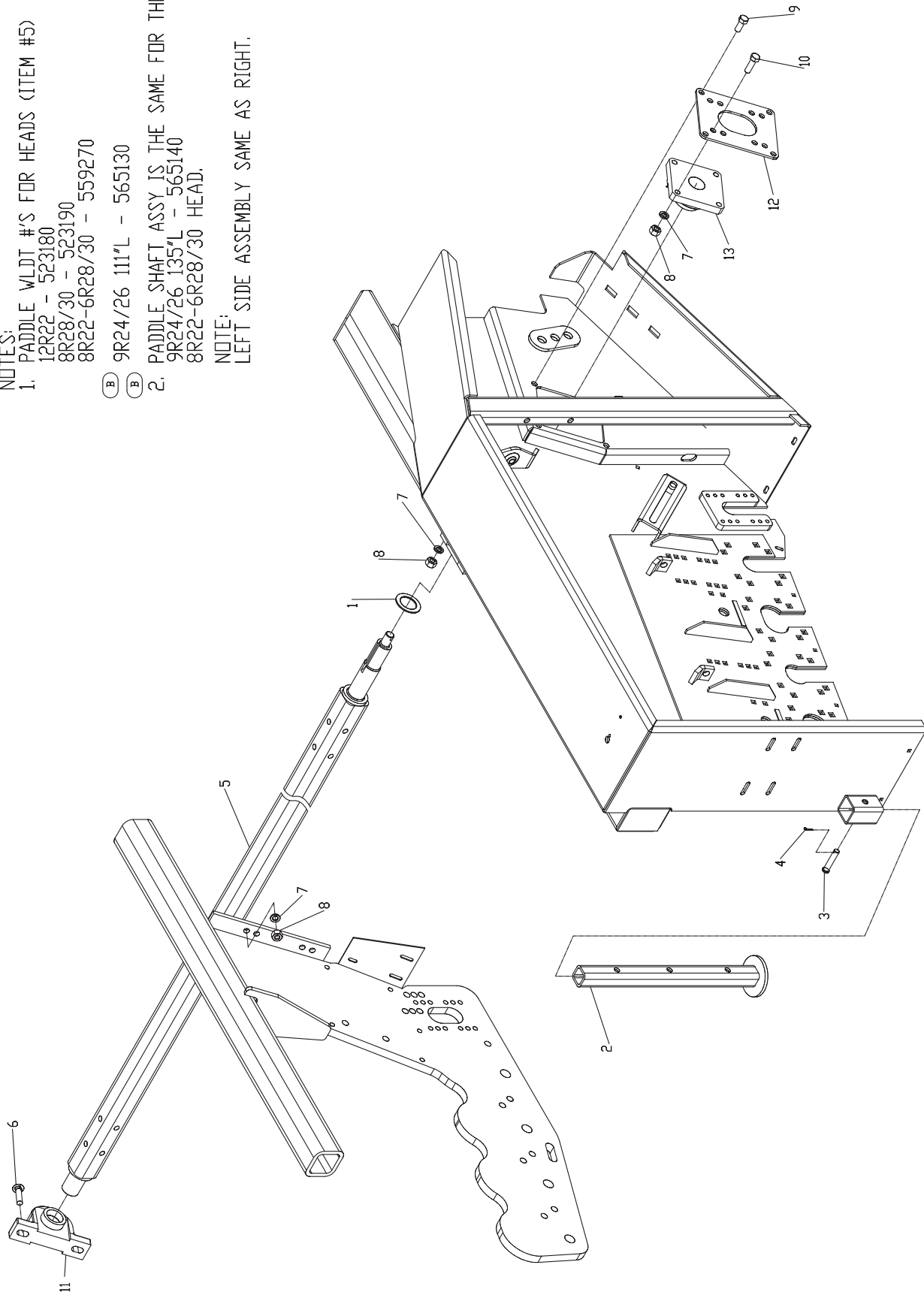


ITEM NO.	PART NUMBER	DESCRIPTION	QTY.
1	561870	YOKE WLDT, 5/8-11	1
2	1121555	NUT, JAM 5/8-11 HEX ZN GR5	2
3	561880	ROD, THREADED 5/8-11	1
4	020430	WASHER, FLAT 5/8 STD	5
5	231000	SPRING COMPRESSION	1
6	239040	SPACER, SPRING	1
7	020450	NUT, HEX 5/8-11	1
8	1071212	PIN, CLEVIS 1/2 X 1-1/2	1
9	124350	PIN, COTTER 1/8 X 1-1/2 ZN	1
10	E096058	BOLT, CRG 5/8-11 X 2-1/2	3
11	I124589	HNUT 0.6250-11-D-ZN	3
12	020440	WASHER, LOCK 5/8	3
13	552360	PLATE, COVER IDLER	1
14	003370	WASHER, FLAT 1.03 X 1.50 X 0.048	2
15	541740	SPROCKET ASSY, IDLER BRG.	1
15A	R50800	BEARING, BALL 1.0 COD	1
16	003350	WASHER, LOCK 1 X 1-21/32 X 1/4	1
17	J14H805	NUT, HEX 1.00-8 GR5 ZN	1
18	551610	MOUNT, RH FRONT	1
19	551600	MOUNT, LH FRONT	1
20	E552038	NUT, JAM 3/4-10 HEX	1
21	561480	SHEAVE ASSY, IDLER BRG. 1.25 ID	1
21A	112550	BEARING, BALL 1-1/4 COD	1
21B	E642027	RING, RETAINING	1
22	E829022	FW 1.25	4
23	E829047	WASHER, LOCK 1-1/4	1
24	522610	BOLT, HHCS, 1-1/4-7 X 3-1/2	1
25	012260	HBOLT 0.3750-16 X 1 X 1-N	4
26	021180	LW 0.375	4
27	991060	BOLT, HHCS 1-8 X 5 GR5 ZN	1
28	551370	BLOCK WLDT, IDLER	1
29	I131017	FW 0.812	5
30	036800	LW 3/4 INCH SAE MED	1
31	990570	BOLT, HHCS 3/4-10 X 3	1
32	J14H794	NUT, HEX 3/4-10 GR5 ZN	1
33	240550	SPROCKET, IDLER 80-12T W/WASHER	1
34	537880	ARM WLDT, LH	1
35	518160	ARM WLDT, RH	1
36	518060	ANGLE, TENSIONER	1
37	532760	SHIM, IDLER ARM 22 GA.	2
38	522600	BUSHING, OILITE	2
39	169280	WASHER, FLAT, 13/32 X 1.5 X 0.13	2
43	586330	CHAIN, ROLLER HD RC80H X 130P	1
44	E741066	SPROCKET, 80Q18	1
46	E126080	BUSHING, SPLIT TAPER	1
47	228020	LINK, 80H OFFSET	6

PADDLE SHAFT & CHAIN DRIVES - PADDLE SHAFT & STAND ASSEMBLY, (ALL HEADS)

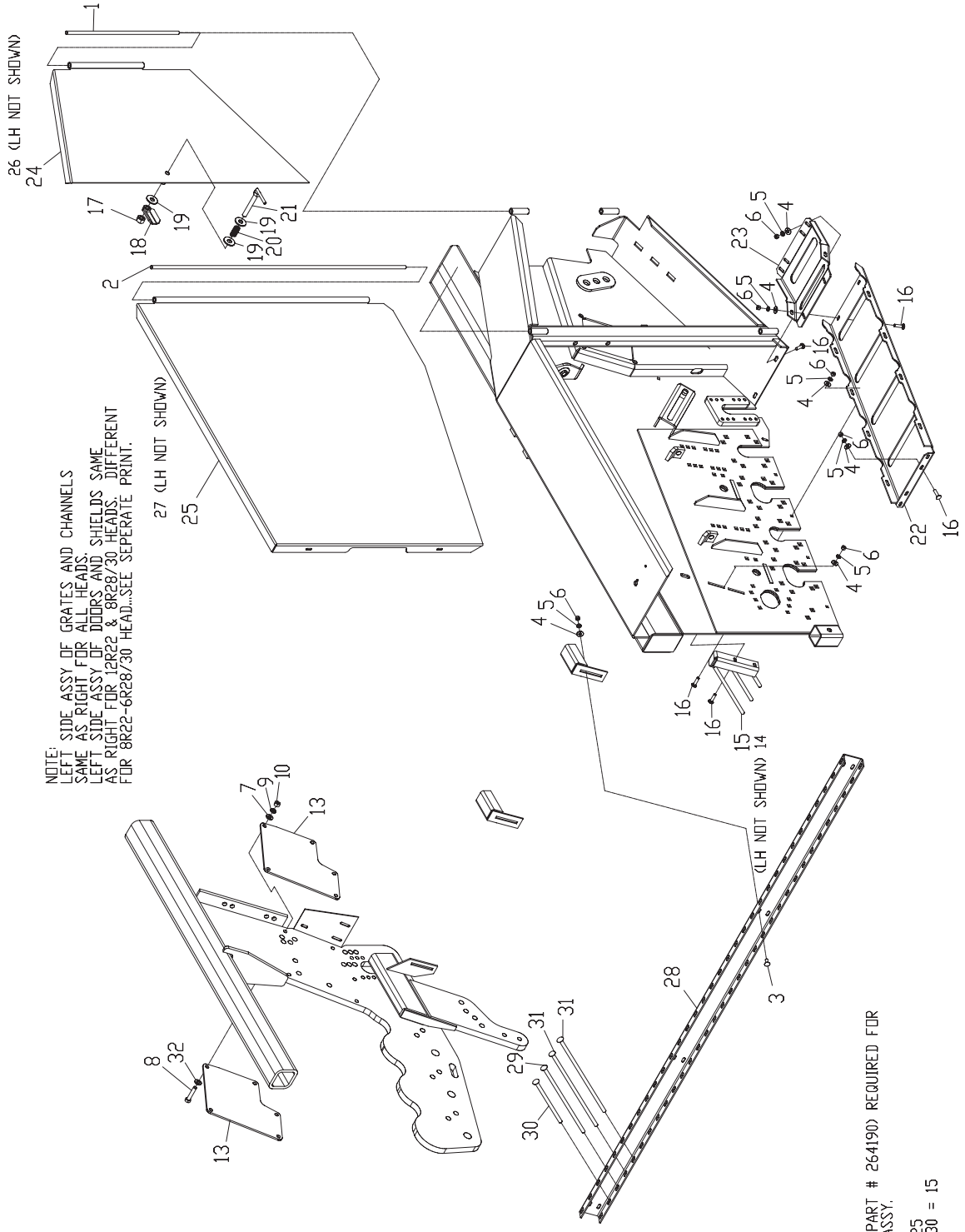
- NOTES:
1. PADDLE WLDT #S FOR HEADS (ITEM #5)
 12R22 - 523180
 8R28/30 - 523190
 8R22-6R28/30 - 559270
 - (B) 9R24/26 111"L - 565130
 - (B) 9R24/26 135"L - 565140
 2. PADDLE SHAFT ASSY IS THE SAME FOR THE
 9R24/26 135"L - 565140
 8R22-6R28/30 HEAD.

NOTE:
 LEFT SIDE ASSEMBLY SAME AS RIGHT.



ITEM NO.	PART NUMBER	DESCRIPTION	QTY.
1	396120	BUSHING, MACH	1
2	519070	STAND WLDT, HEAD	1
3	216830	PIN, CLEVIS 5/8 X 3	1
4	E580035	PIN, HAIR 1/8 X 2-3/8 COTTER	1
5	523180	SHAFT WLDT, PADDLE (12R22)	1
5A	523190	SHAFT WLDT, PADDLE (8R28/30)	1
5B	559270	SHAFT WLDT, PADDLE (6R28/30 AND 8R22)	1
6	J03H1858	RHSNBOLT 0.625-11 X 2.50 GR 5 ZN	2
7	020440	WASHER, LOCK 5/8	10
8	1124589	HNUT 0.6250-11-D-ZN	10
9	990610	BOLT, HHCS 5/8-11 X 1 1/2 GR5 ZN	4
10	990620	BOLT, HHCS 5/8-11 X 2	4
11	E072358	PB BEARING, 2.0 BORE	1
12	533090	PLATE, BRG MTG	1
13	E072445	BEARING, FLANGE, 2 INCH BORE, W/LK COLLAR	1

**PADDLE SHAFT & CHAIN DRIVES - DOOR, SHIELD, & GRATE ASSEMBLY,
(ALL HEADS EXCEPT LH 8R22-6R28/30)**

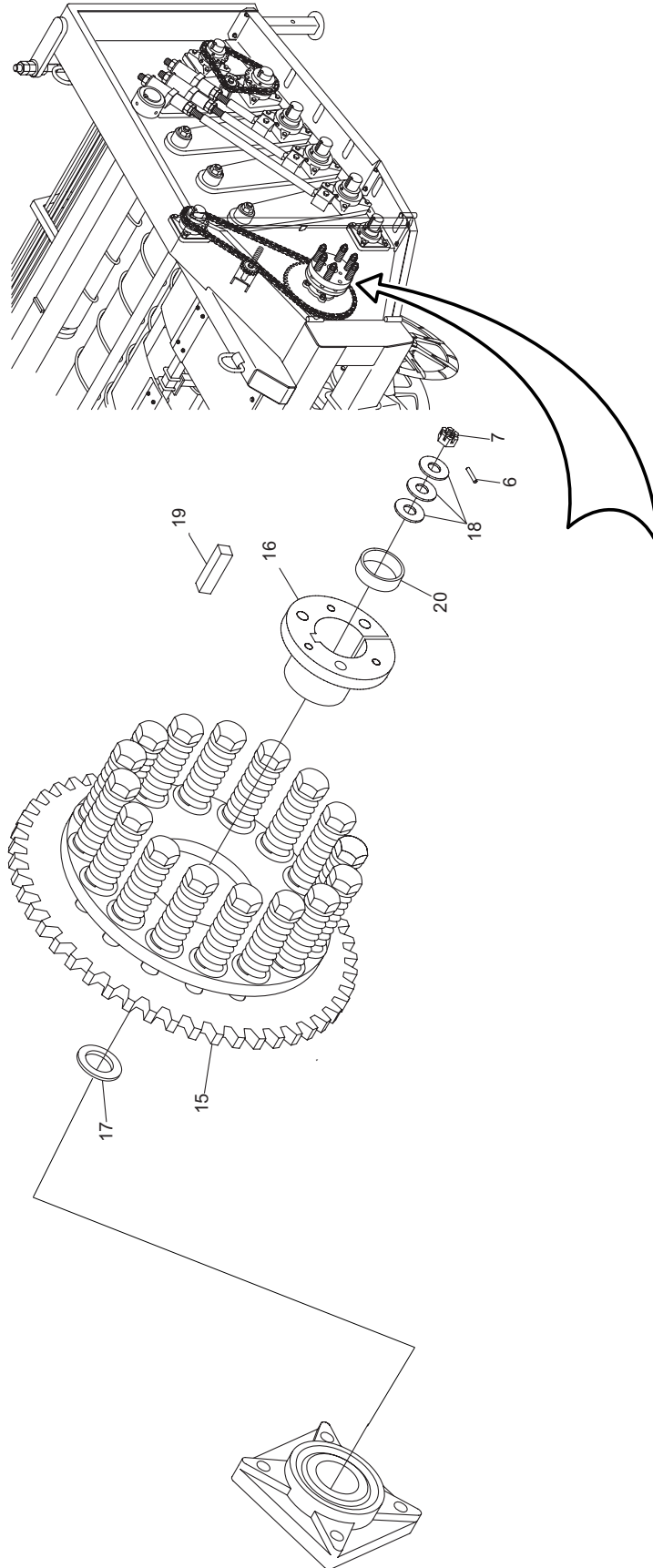


NOTE: SIDE ASSY OF GRATES AND CHANNELS
LEFT AS RIGHT FOR ALL HEADS.
LEFT SIDE ASSY OF DOORS AND SHIELDS SAME
AS RIGHT FOR 12R22 & 8R28/30 HEADS. DIFFERENT
FOR 8R22-6R28/30 HEADS...SEE SEPARATE PRINT.

OF PINS (PART # 264190) REQUIRED FOR
EACH SIDE ASSY.
12R22 = 29
8R28/30 = 25
8R22-6R28/30 = 15

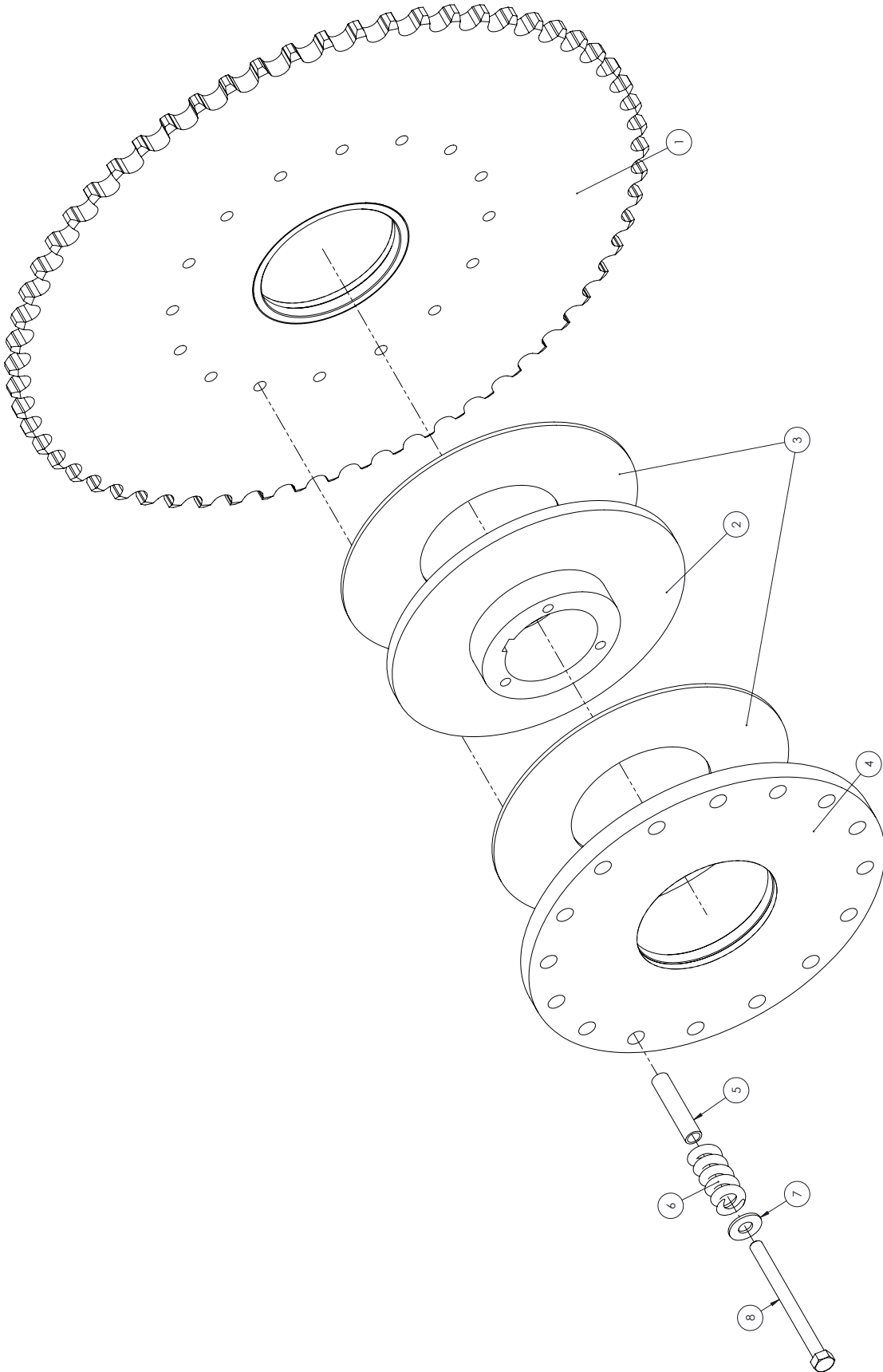
ITEM NO.	PART NUMBER	DESCRIPTION	QTY.
1	518710	PIN WLDT., DOOR	1
2	518720	PIN WLDT., DOOR	1
3	170530	BOLT, CRG 3/8-16 X 1 SSN GR5 ZN	8
4	021190	WASHER, FLAT 3/8 STD. 7/16 X 1 X 5/64 ZN	20
5	021180	LW 0.375	20
6	027260	NUT, HEX 0.3750-16-GR5 ZN	20
7	005200	FW 0.5	10
8	007080	BOLT, HEX 0.5000-13 X 2.5 X 1.25-N	5
9	005370	WASHER, LOCK 1/2 ZN	5
10	005360	NUT, HEX 1/2-13	5
13	558980	SHEET, '07 UHMW	2
14	609250	GRATE WLDT, LH	1
15	609260	GRATE WLDT, RH	1
16	J03H1558	RHSN BOLT 0.375-16 X 1.5 X 1.5-N	12
17	I124589	NUT, HEX 0.6250-11-D-ZN	1
18	518850	LATCH WLDT, DOOR	1
19	020430	WASHER, FLAT 5/8 STD	3
20	518900	SPRING, COMP	1
21	518840	HANDLE WLDT, DOOR	1
22	559060	PANEL, '07 GEN	1
23	559070	PANEL, '07 GEN	1
24	551670	DOOR WLDT., HEAD	1
25	518700	DOOR WLDT., HEAD RH	1
26	551660	DOOR WLDT., HEAD	1
27	551700	DOOR WLDT., HEAD LH	1
28	561340	CHANNEL, GRATE (12R22)	1
28A	561330	CHANNEL, GRATE (8R28/30)	1
28B	561230	CHANNEL, GRATE (6R28/30 AND 8R22)	1
29	347540	ROD, GRATE 1/2 X 14.75	1
30	532050	ROD, GRATE 1/2 X 9.25	1
31	264190	ROD, GRATE 1/2 X 16.50 (12R22)	29
31A	264190	ROD, GRATE 1/2 X 16.50 (8R22/30)	25
31B	264190	ROD, GRATE 1/2 X 16.50 (6R28/30 AND 8R22)	15

PADDLE SHAFT AND CHAIN DRIVES - PADDLE SHAFT CLUTCH ASSEMBLY



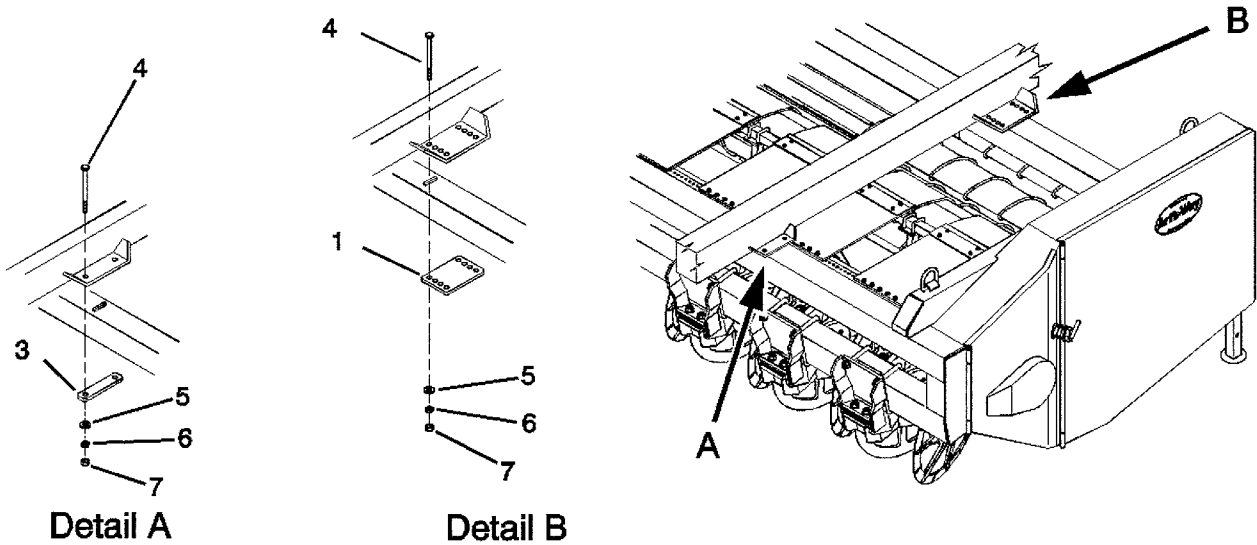
ITEM NO.	PART NUMBER	DESCRIPTION	QTY.
1	E126201	BUSHING, MACH 2.5 X 3.87 X 0.134	2
2	411260	FLANGE, SPRING CLUTCH	2
3	411410	HOUSING ASSY, CLUTCH	2
4	432690	SPROCKET, 80A60	2
5	238430	HUB WLDT., SLIP CLUTCH	2
6	040900	PIN, ROLLER 3/16 X 1-5/8 ZN	2
7	042110	NUT, SLOTTED 1-14 GR5 ZN HEX	2
8	1121555	NUT, JAM 5/8-11 HEX ZN GR5	24
9	I25547R1	WASHER, FLAT 21/32 X 1-5/16 X 3/16 PHC	12
10	239080	SPRING, COMPRESSION SLIP CLUTCH	12
11	201660	BOLT, HHCS 5/8-11 X 6 GR5 ZN	12
12	225040	JAW HARDENED SLIP CLUTCH	4
13	1770500	BOLT, HHCS 1/2-13 X 1-3/4 GR5 ZN	8
14	I9413967	NUT, LOCK 1/2-13 GRB CAD PLATED TOP LOCK	8
15	551340	CLUTCH, SLIP PADDLE SHAFT	2
16	288070	BUSHING, SPLIT TAPER Q1 1-3/4	2
17	389930	WASHER, FLAT 1-25/32 X 2-1/2 X 12GA.	2
18	1107389	WASHER, FLAT 1 SAE 1-1/16 X 2 X 1/8 ZN	6
19	030380	KEY, SQ. 3/8 X 3	2
20	549700	SPACER, 1.76 ID X 2.0 OD X .63L	2

CLUTCH, SLIP PADDLE SHAFT ASSEMBLY, 551340



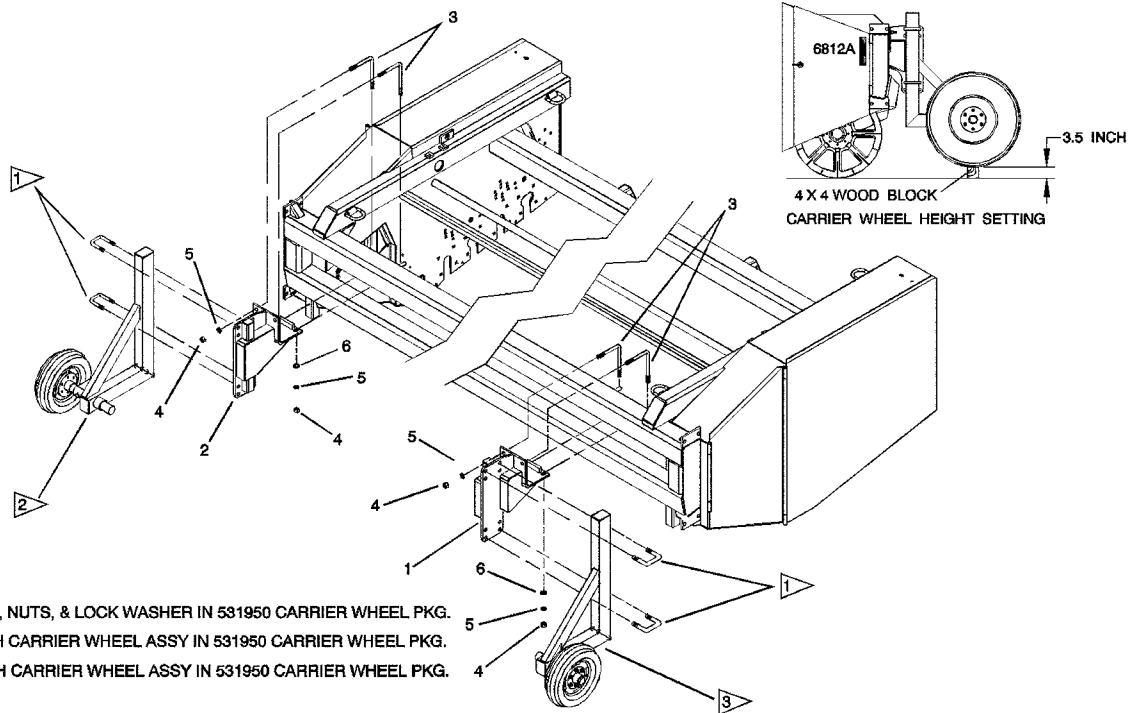
ITEM NO.	PART NUMBER	DESCRIPTION	QTY.
1	551350	SPROCKET, CLUTCH	1
2	616030	ROTOR	1
3	511980	DISK, FRICTION	2
4	616040	PRESSURE PLATE	1
5	616050	SPACER	16
6	616060	SPRING	16
7	021190	WASHER, FLAT 3/8 STD	16
8	991160	BOLT, HHCS 3/8-16 x 4"	16

HEAD TO BASIC UNIT MOUNTING ASSEMBLY



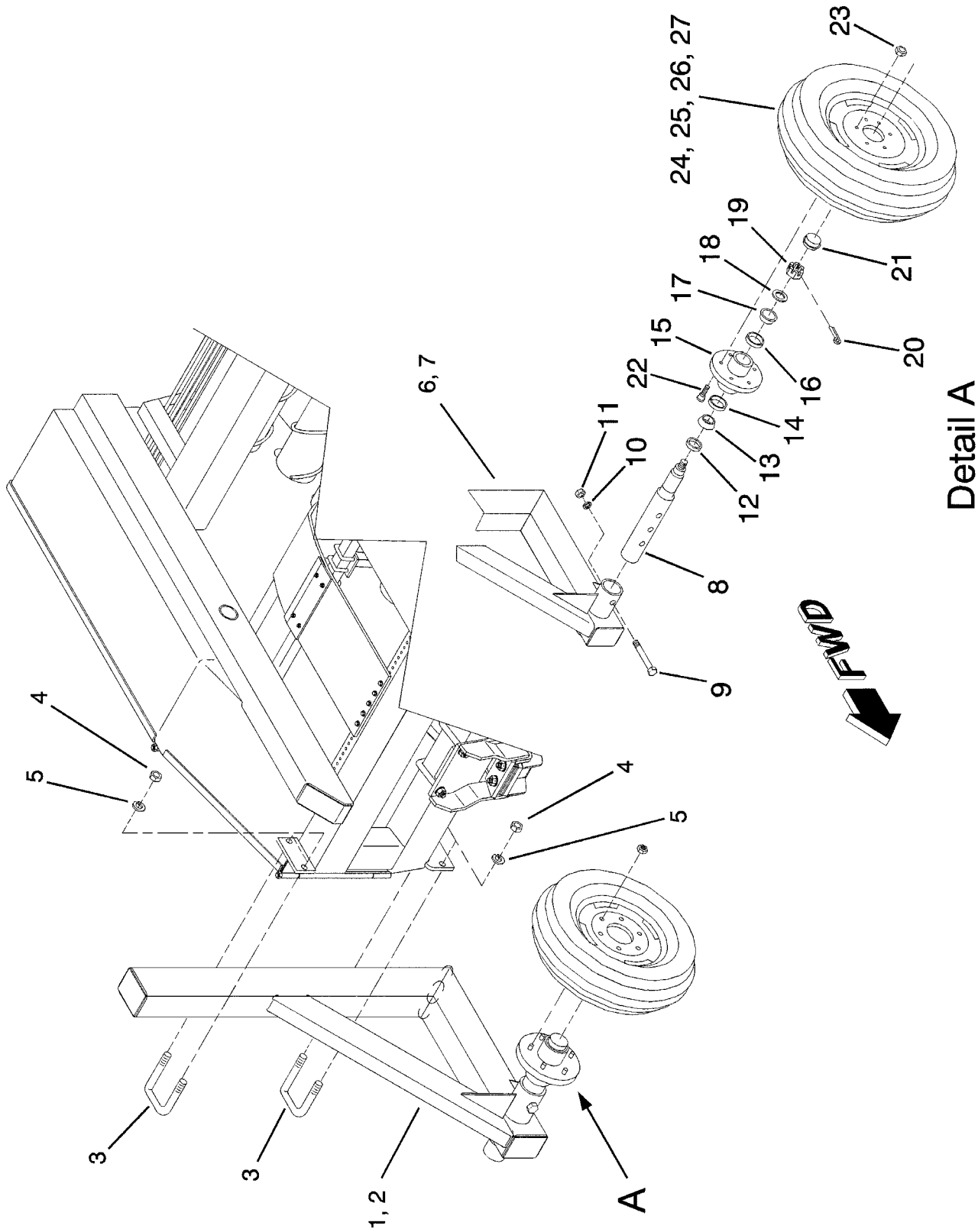
ITEM NO.	PART NUMBER	DESCRIPTION	QTY.
1	520350	PLATE, REAR HEAD MTG., 8 HOLE	2
3	520370	PLATE, FRONT HEAD MTG., 2 HOLE	4
4	991050	BOLT, HHCS, 3/4-10 X 8-1/2 GR5 ZN	24
5	1131017	WASHER, FLAT, 3/4 SAE X 13/16 X 1-15/32 X 9/64 ZN	48
6	036800	WASHER, LOCK, 3/4 SAE (MED) X 1-17/64 X 3/16 ZN	24
7	J14H794	NUT, HEX 3/4-10 GR5 ZN	24

FRONT CARRIER WHEELS ASSEMBLY, MOUNTING PACKAGE



ITEM NO.	PART NUMBER	DESCRIPTION	QTY.
1	533520	MOUNT, WLDT., LH CARRIER	1
2	533530	MOUNT, WLDT., RH CARRIER	1
3	533600	BOLT, LOCK 3/4 X 10-8.5 X 8.5	4
4	J14H794	NUT, HEX 3/4 X 10	8
5	036800	WASHER, LOCK 3/4	8
6	J24H1401	WASHER, FLAT 0.781 X 1.75 X 0.19	4

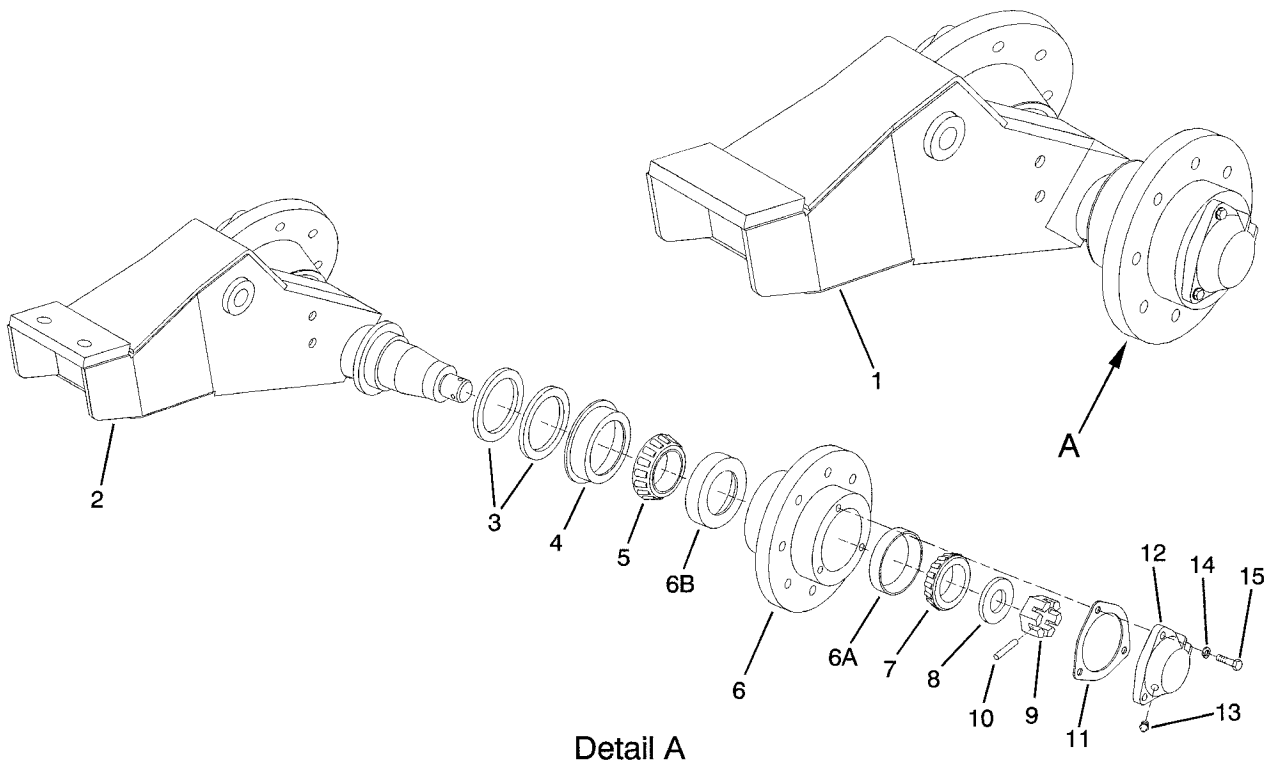
CARRIER WHEEL ASSEMBLY



Detail A

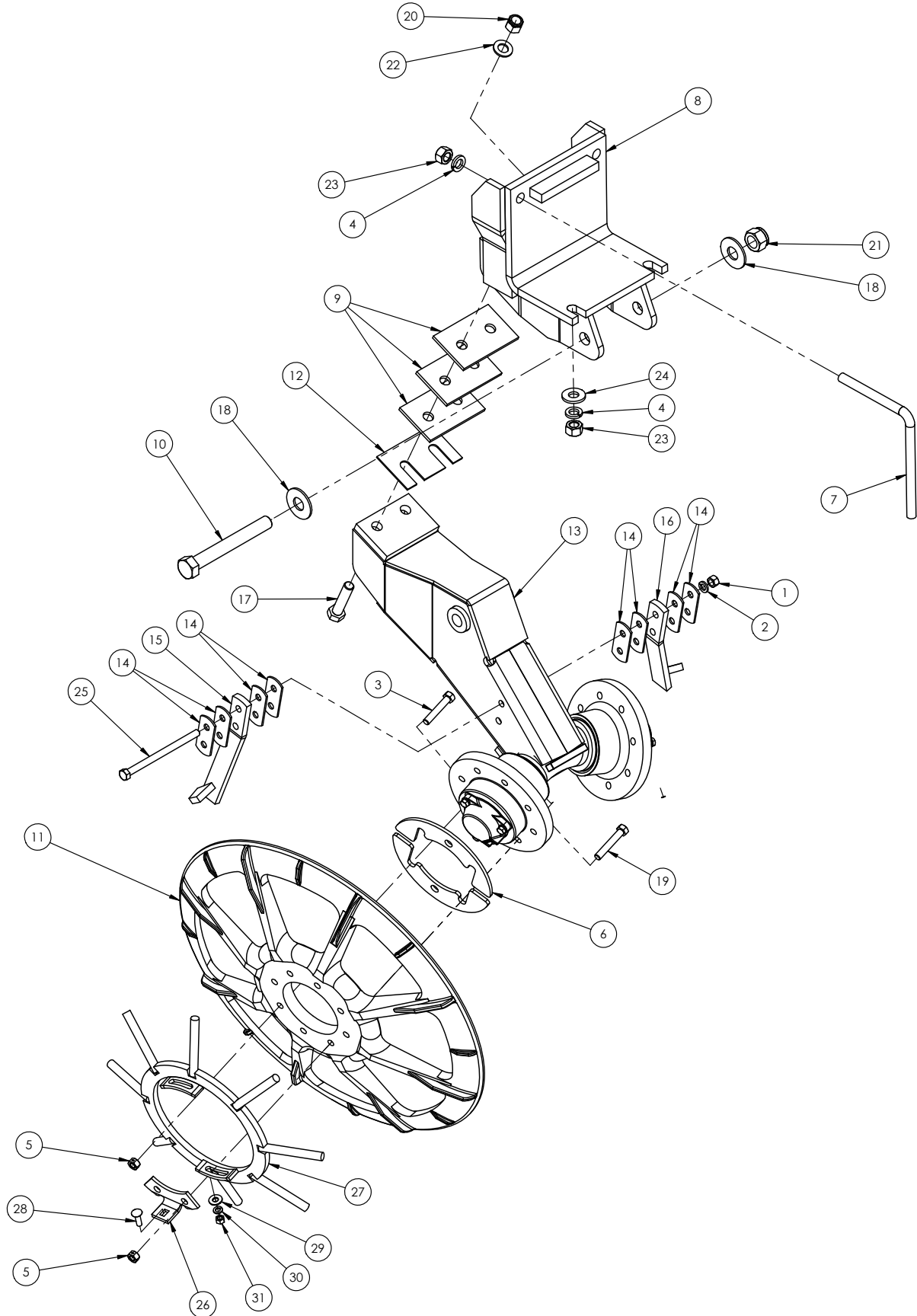
ITEM NO.	PART NUMBER	DESCRIPTION	QTY.
1	520930	CARRIER WHEEL ASSEMBLY, LH 6812C (NOT SHOWN)	1
2	520940	CARRIER WHEEL ASSEMBLY, RH 6812C	1
3	534400	U-BOLT, 3/4-10 X 4.0 X 4-3/4	4
4	J14H794	NUT, HEX 3/4-10 GR5 ZN	8
5	036800	WASHER, LOCK 3/4 SAE (MED) X L-17/64 X 3/16 ZN	8
6	520950	FRAME WLDT., LH CARRIER WHEEL	1
7	520960	FRAME WLDT., RH CARRIER WHEEL	1
8	523380	SPINDLE, CARRIER WHEEL	1
9	I271729	BOLT, HHCS 5/8-11 X 3-1/2	1
10	020440	WASHER, LOCK 5/8	1
11	I124589	NUT, HEX 5/8-11	1
12	121130	SEAL, 2.12 X 3.06 X 0.50	1
13	007600	BEARING, CONE 1.62	1
14	018930	INNER CUP	1
15	007590	HUB, 6 BOLT	1
16	018860	OUTER CUP	1
17	012630	BEARING, CONE 1.25	1
18	020720	WASHER, FLAT 13/16 X 1-3/4 X 3/16	1
19	020710	NUT, SLOTTED 3/4-16	1
20	026630	PIN COTTER 5/32 X 1-1/2	1
21	035420	CAP, HUB 2-1/2	1
22	046700	BOLT, STUD 9/16-18 X 2-1/8	6
23	046710	NUT, WHEEL 9/16-18	6
24	500770	WHEEL & TIRE ASSEMBLY	1
25	U51900004	WHEEL, 15 X 10 LB, 6-6-4.62, 3800#	1
26	I1980927C1	TIRE, 11L-15 8 PLY TL UTIL	1
27	164420	STEM VALVE CORE & CAP	1

LIFTER GROUPING – STRUT ASSEMBLY



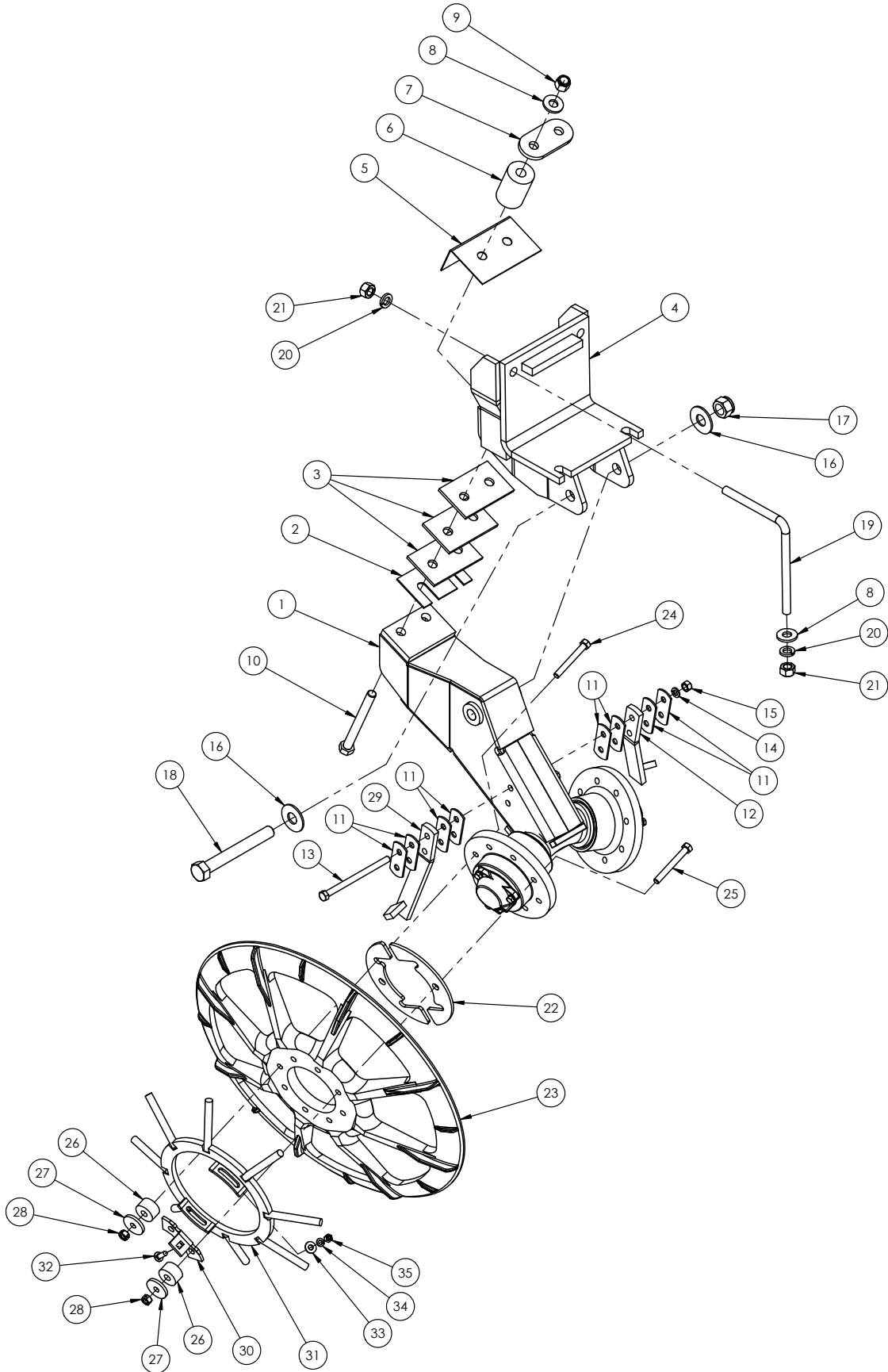
ITEM NO.	PART NUMBER	DESCRIPTION	QTY.
1	521780	STRUT ASSEMBLY, FLEXIBLE PIVOT	1
2	521820	STRUT WLDT, PIVOT FLEX	1
3	263170	WASHER, FELT	4
4	263160	RETAINER, FELT	2
5	261640	CONE BEARING, TM#28985 2.38 ID	2
6	267430	HUB ASSEMBLY, STRUT	2
6A	E072462	CUP, BEARING	1
6B	261650	CUP, BEARING	1
7	184960	CONE BEARING, TM#368 2.00 ID	2
8	E829036	WASHER, 1.31 X 2.50 X 0.156	2
9	340320	NUT, SLOTTED 1-1/4 FLANGE	2
10	013600	PIN, ROLL 0.25 X 2.00	2
11	JN70509	GASKET, HUB	2
12	JN72550	CAP, HUB LIFTER WHEEL	2
13	JJD7798	FTG, 1/8-27 SPEC. TAPER DR	2
14	021180	WASHER, LOCK 3/8	6
15	012260	BOLT, HHCS 3/8-16 X 1.0	6

LIFTER GROUPING - FIXED STRUT ASSEMBLY



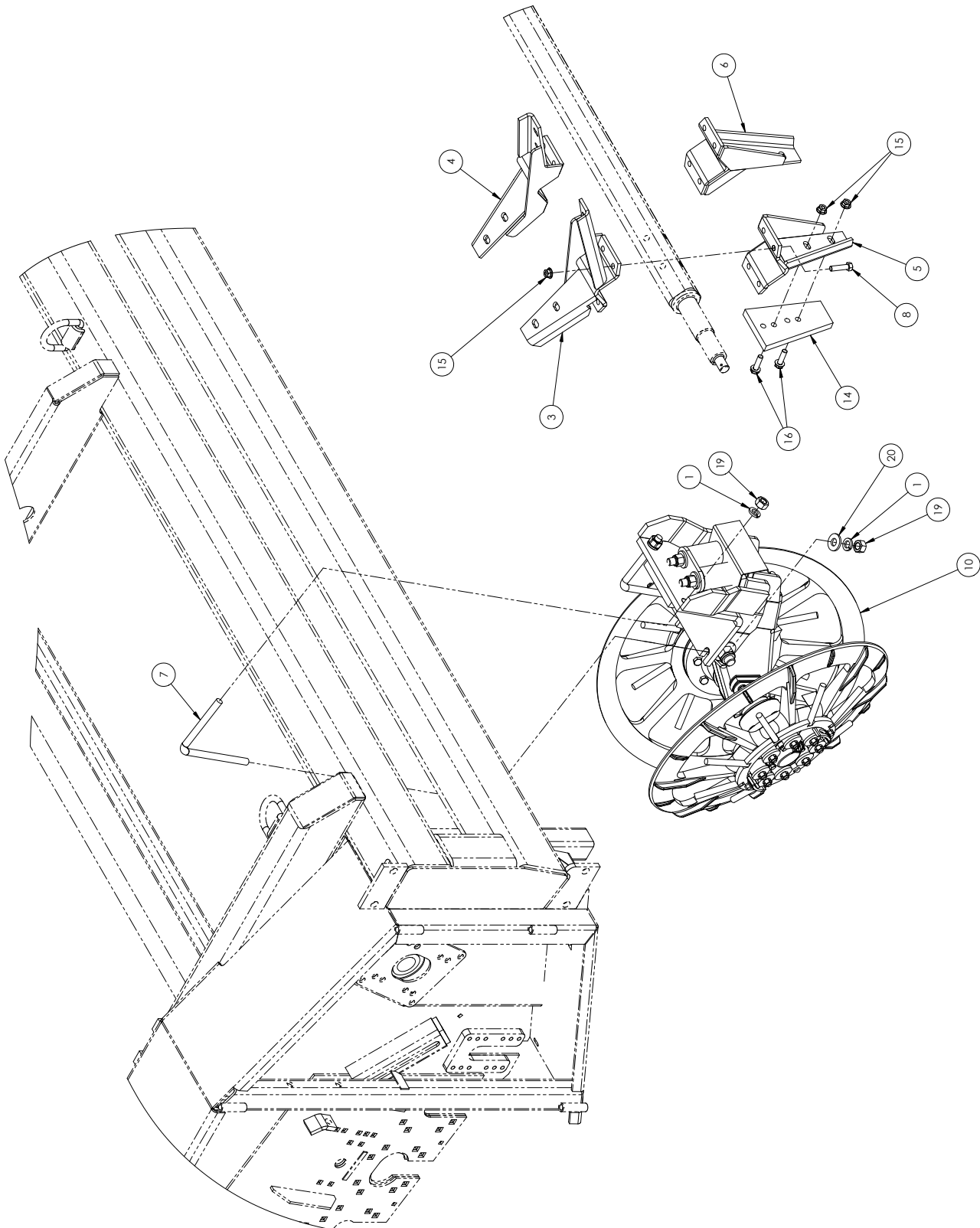
ITEM NO.	PART NUMBER	DESCRIPTION	QTY.
1	005360	NUT, HEX, 1/2" Z5	2
2	005370	WASHER, LOCK 1/2 ZN	2
3	031580	BOLT, 1/2-13 x 2-3/4 HHCS Gr5 ZN	8
4	036800	WASHER, LOCK 3/4 SAE ZN	4
5	127890	HLNUT 0.5000-13-D-N	16
6	268570	SPACER, BEET	6
7	403860	BOLT, "L"	2
8	431590	UPPER WLDT,	1
9	436800	SHIM, PIVOT	3
10	252020	HHCS 1.00-8 x 8.0 GR8 ZN	1
11	491750	LIFTER WHEEL,	2
12	516180	SHIM, PIVOT, 10 GA.	1
13	521780	STRUT ASSY, FLEXIBLE PIVOT	1
14	521790	SHIM, SCRAPER	8
15	521800	SCRAPER WLDT,	1
16	521810	SCRAPER WLDT,	1
17	990580	HBOLT 0.7500-10x3.25x3.25-N	2
18	990720	WASHER, FLAT 1" STD ZN	2
19	990840	BOLT, HHCS 1/2-13 x 3.00 GR5 ZN	8
20	1100238	NYLON INSERT LOCKNUT, 3/4-10 UNC	2
21	1110440	NYLON INSERT LOCKNUT, 1-8 UNC	1
22	I131017	FW 0.812	2
23	J14H794	NUT, HEX 3/4-10 GR5 ZN	4
24	J24H1401	WASHER, FLAT	2
25	E672288	Bolt, HHCS 1/2-13 x 7-1/2 Gr5 ZN	2
26	463370	BRACKET, MOUNTING	4
27	463350	CLOSEUP, LIFTER	2
28	035180	BOLT, CRG 3/8-16 X 1 1/4 SSN GR5 ZN	4
29	021190	WASHER, FLAT 3/8 STD 7/16x x5/64 ZN	4
30	021180	WASHER, LOCK 3/8 ZN	4
31	027260	NUT, HEX 3/8-16 GR5 ZN	4

LIFTER GROUPING - FLEX STRUT ASSEMBLY



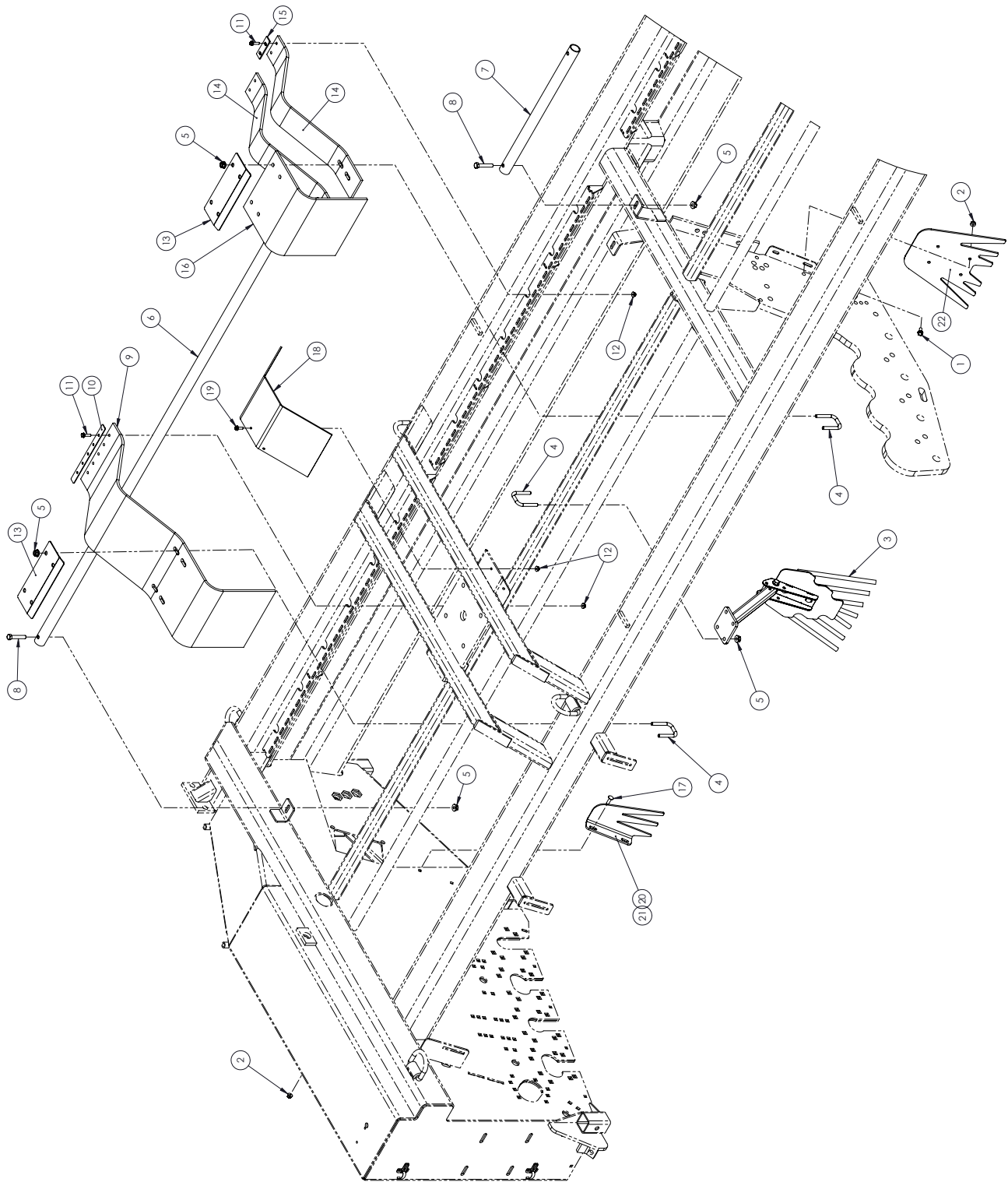
ITEM NO.	PART NUMBER	DESCRIPTION	QTY.
1	521780	STRUT ASSY, FLEXIBLE PIVOT	1
2	516180	SHIM, PIVOT, 10 GA.	1
3	436800	SHIM, PIVOT	3
4	431590	UPPER WLDT,	1
5	458950	SHIELD, PIVOT STRUT	1
6	515890	PAD, FLEX	2
7	433150	WASHER, DOUBLE FLAT 0.80 x 2.50	1
8	J24H1401	WASHER, FLAT	4
9	1100238	NYLON INSERT LOCKNUT, 3/4-10 UNC	2
10	991050	HBOLT 0.7500-10x8.5x8.5-N	2
11	521790	SHIM, SCRAPER	8
12	521810	SCRAPER WLDT,	1
13	E672288	Bolt, HHCS 1/2-13 x 7-1/2 Gr5 ZN	2
14	005370	WASHER, LOCK 1/2 ZN	2
15	005360	NUT, HEX, 1/2" Z5	2
16	990720	WASHER, FLAT 1" STD ZN	2
17	1110440	NYLON INSERT LOCKNUT, 1-8 UNC	1
18	252020	HHCS 1.00-8 x 8.0 GR8 ZN	1
19	403860	BOLT, "L"	2
20	036800	WASHER, LOCK 3/4 SAE ZN	4
21	J14H794	NUT, HEX 3/4-10 GR5 ZN	4
22	268570	SPACER, BEET	4
23	491750	LIFTER WHEEL,	2
24	038560	HBOLT 0.5000-13x4x4-N	8
25	340300	HBOLT 0.5000-13x4.25x4.25-N	8
26	267710	PAD, FLEX	16
27	I486801R1	WASHER, .531 x 2 x	16
28	127890	HLNUT 0.5000-13-D-N	16
29	521800	SCRAPER WLDT,	1
30	463370	BRACKET, MOUNTING	4
31	463350	CLOSEUP, LIFTER	2
32	035180	BOLT, CRG 3/8-16 X 1 1/4 SSN GR5 ZN	4
33	021190	WASHER, FLAT 3/8 STD 7/16x x5/64 ZN	4
34	021180	WASHER, LOCK 3/8 ZN	4
35	027260	NUT, HEX 3/8-16 GR5 ZN	4

PADDLES & STRUT INSTALL ASSEMBLY, (ALL HEADS)



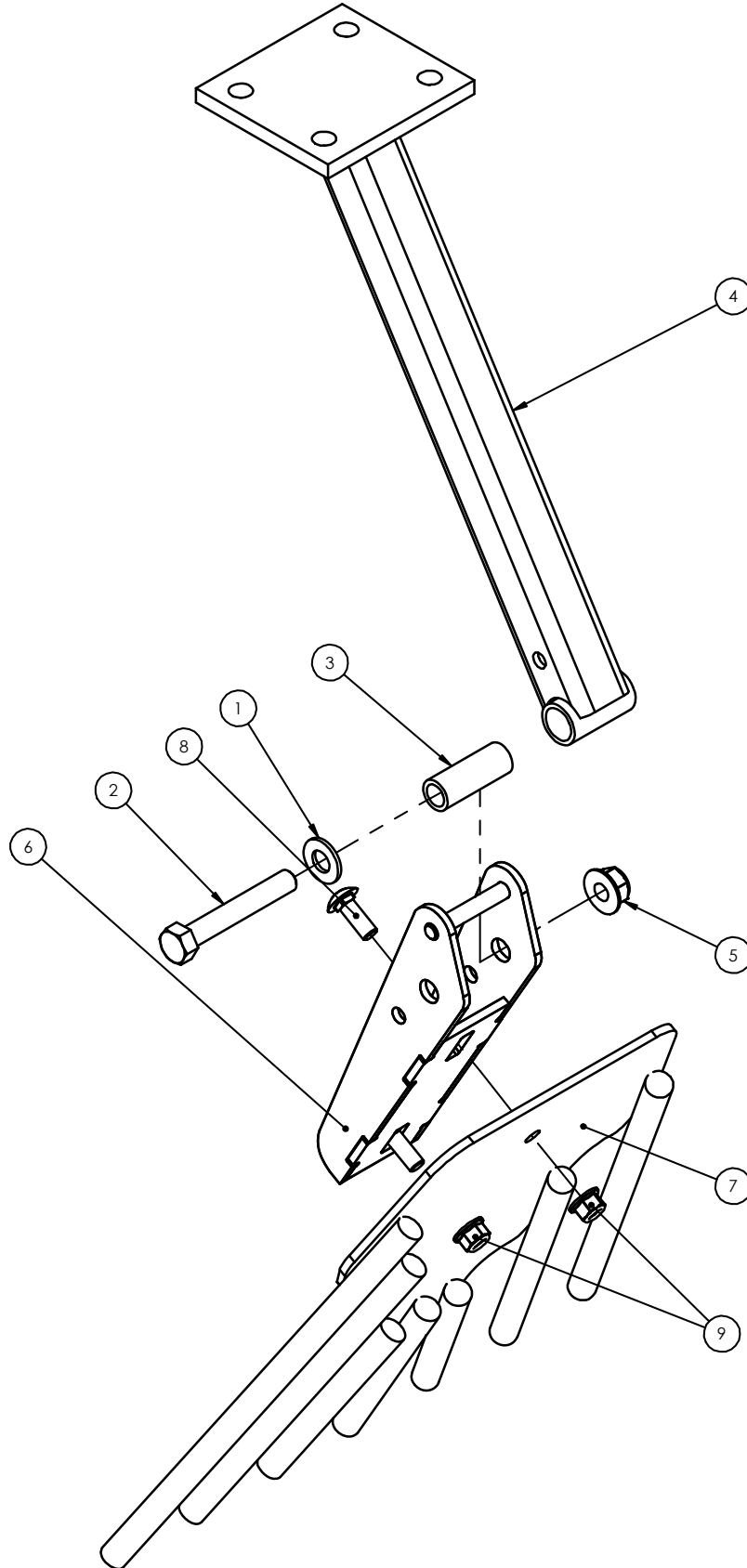
ITEM NO.	PART NUMBER	DESCRIPTION	QTY.
1	036800	WASHER, LOCK 3/4 SAE ZN	48
2	340330	BAG, SPACER LIFTER WHEEL	2
3	354220	PADDLE WLDT,	12
4	354230	PADDLE WLDT,	12
5	354240	PADDLE WLDT,	12
6	354250	PADDLE WLDT,	12
7	403860	BOLT, "L"	24
8	407610	BOLT, HHCS 1/2-13 x 2 Gr8 ZN	96
9	521760	FIXED STRUT ASM	12
10	521770	FLEX STRUT ASM	12
14	558340	PADDLE, RUBBER	72
15	600140	NUT, HFH NYLOC	240
16	600230	BOLT, HFH 1/2-13	144
19	J14H794	NUT, HEX 3/4-10 GR5 ZN	48
20	J24H1401	WASHER, FLAT	24

RUBBER COVERS & BARRIERS ASSEMBLY, (ALL HEADS)



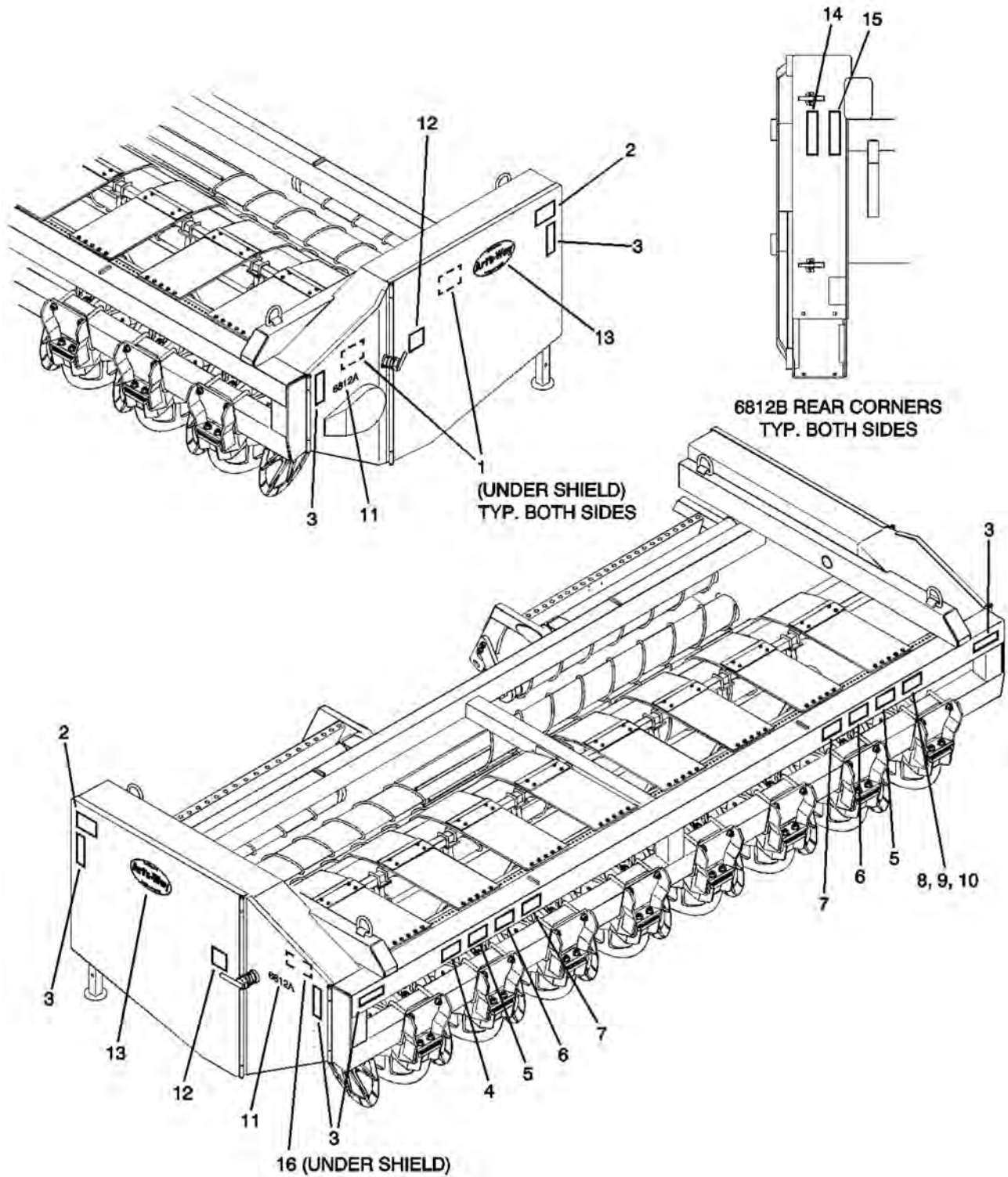
ITEM NO.	PART NUMBER	DESCRIPTION	QTY.
1	600050	BOLT, HFH 3/8-16 X 1.00"	4
2	600120	NUT, HFH NYLOC 3/8-16	8
3	597650	BARRIER ASM	10
4	290890	BOLT, U	44
5	600140	NUT, HFH NYLOC 1/2-13	92
6	558450	TUBE, COVER HOLDER	2
7	558390	TUBE, SHORT	2
8	031580	BOLT, HHCS 1/2-13 X 2-3/4"	4
9	558360	COVER, '07 GENERATION	10
10	443060	STRAP, COVER HOLDER	10
11	609240	BOLT, HFH 5/16-18	58
12	600110	NUT, HFH NYLOC 5/16-18	67
13	481620	BRACKET, COVER	12
14	558420	COVER, RUBBER	4
15	558440	PLATE, COVER	4
16	558430	COVER, REAR	2
17	035180	BOLT, CRG 3/8-16 X 1-1/4"	4
18	526720	DEFLECTOR, RUBBER	3
19	600060	BOLT, HFH 5/16-18 X 1"	9
20	609210	BARRIER, LH	1
21	609220	BARRIER, RH	1
22	609230	BARRIER, CENTER	1

RUBBER COVERS & BARRIERS - BARRIER ASSEMBLY, (ALL HEADS)



ITEM NO.	PART NUMBER	DESCRIPTION	QTY.
1	005200	WASHER, FLAT 1/2 STD	1
2	041410	HHCS, 1/2-13 X 3.25, G5, ZN	1
3	595510	TUBE, SPACER	1
4	595910	BARRIER MOUNT	1
5	600140	NUT, HFH NYLOC	1
6	595990	MOUNT, BARRIER	1
7	595980	BARRIER COMB WLDT	1
8	170530	BOLT, CRG 3/8-16 X 1 SSN GR5 ZN	2
9	600120	NUT, HFH NYLOC	2

HEADER DECALS

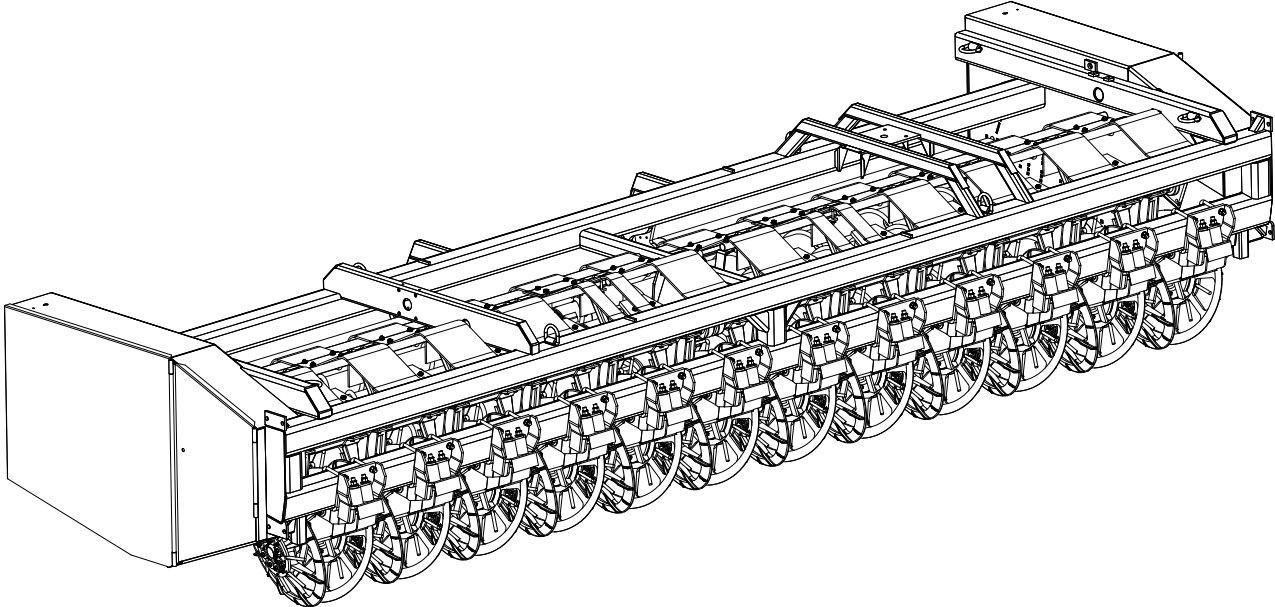


ITEM NO.	PART NUMBER	DESCRIPTION	QTY.
1	467430	DECAL, DANGER, SHIELD MISSING	4
2	467470	DECAL, WARNING, OVERHEAD HAZARD	1
3	476460	TAPE, YELLOW, RETRO-REFLECTIVE	6
4	467440	DECAL, DANGER, ELECTROCUTION	1
5	467410	DECAL, DANGER, ROTATING ROLL HAZARD	2
6	467400	DECAL, WARNING, THROWN OBJECT HAZARD	2
7	467420	DECAL, WARNING, NO RIDERS/FALLING HAZARD	2
8	355500	TAG, SERIAL NUMBER, FINISHED	1
9	204510	NAIL, 1/4 GRIP	4
10	133420	PATENT PENDING	1
11	552180	DECAL, 6812C BEET HARVESTER	2
12	467450	DECAL, WARNING, MOVING PART HAZARD	2
13	582430	DECAL, ART'S-WAY LOGO 20.1" CREAM / SILVER	2
14	476450	TAPE, RED, RETRO-REFLECTIVE	2
15	476470	TAPE, RED-ORANGE, FLORESCENT	2
16	289500	DECAL, IDLER SPRING 4-1/2 INCH	1 or 2

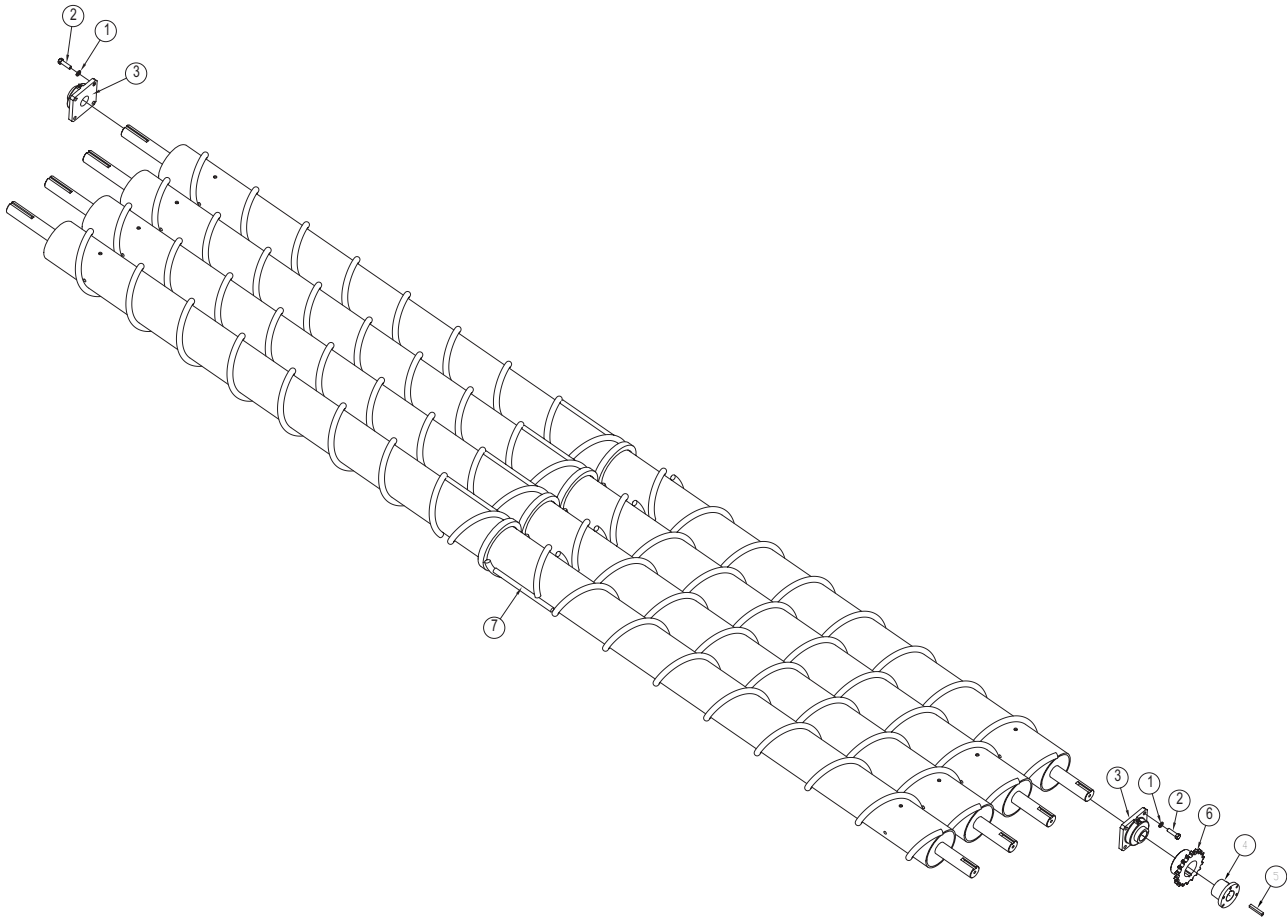
**THIS PAGE
LEFT
INTENTIONALLY
BLANK**

SECTION 3: OTHER HEAD OPTIONS

8R22-6R28/30

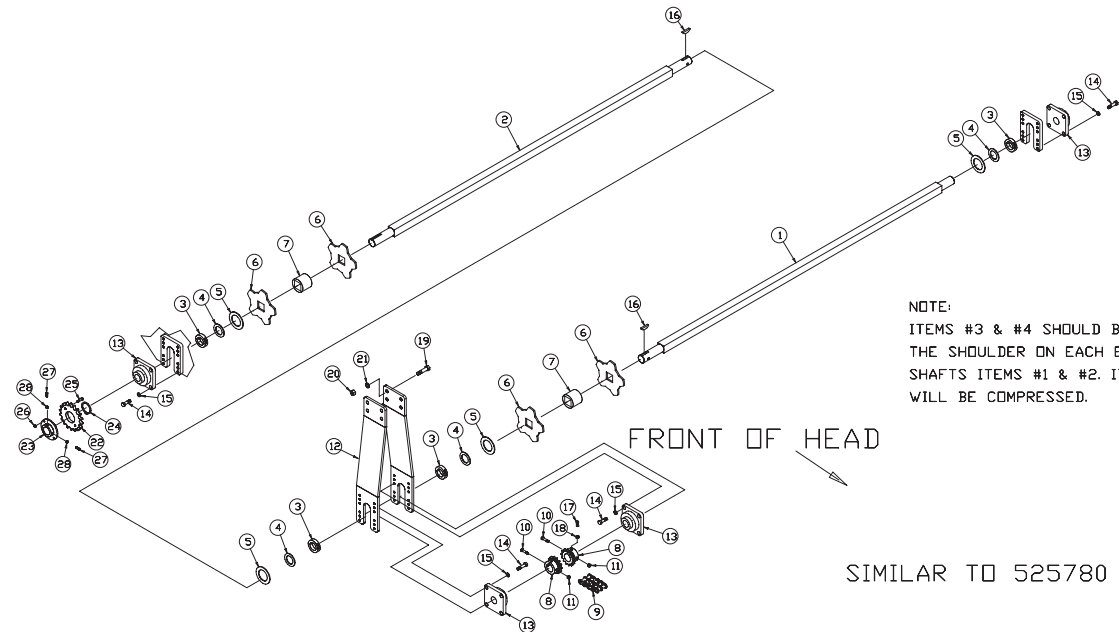
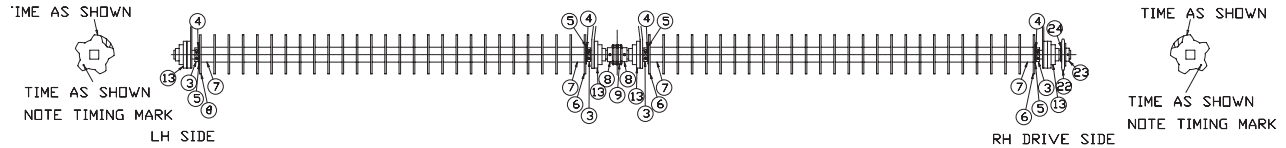


CONVEYOR ROLL & SMOOTH ROLL ASSEMBLY, (8R22-6R28/30)



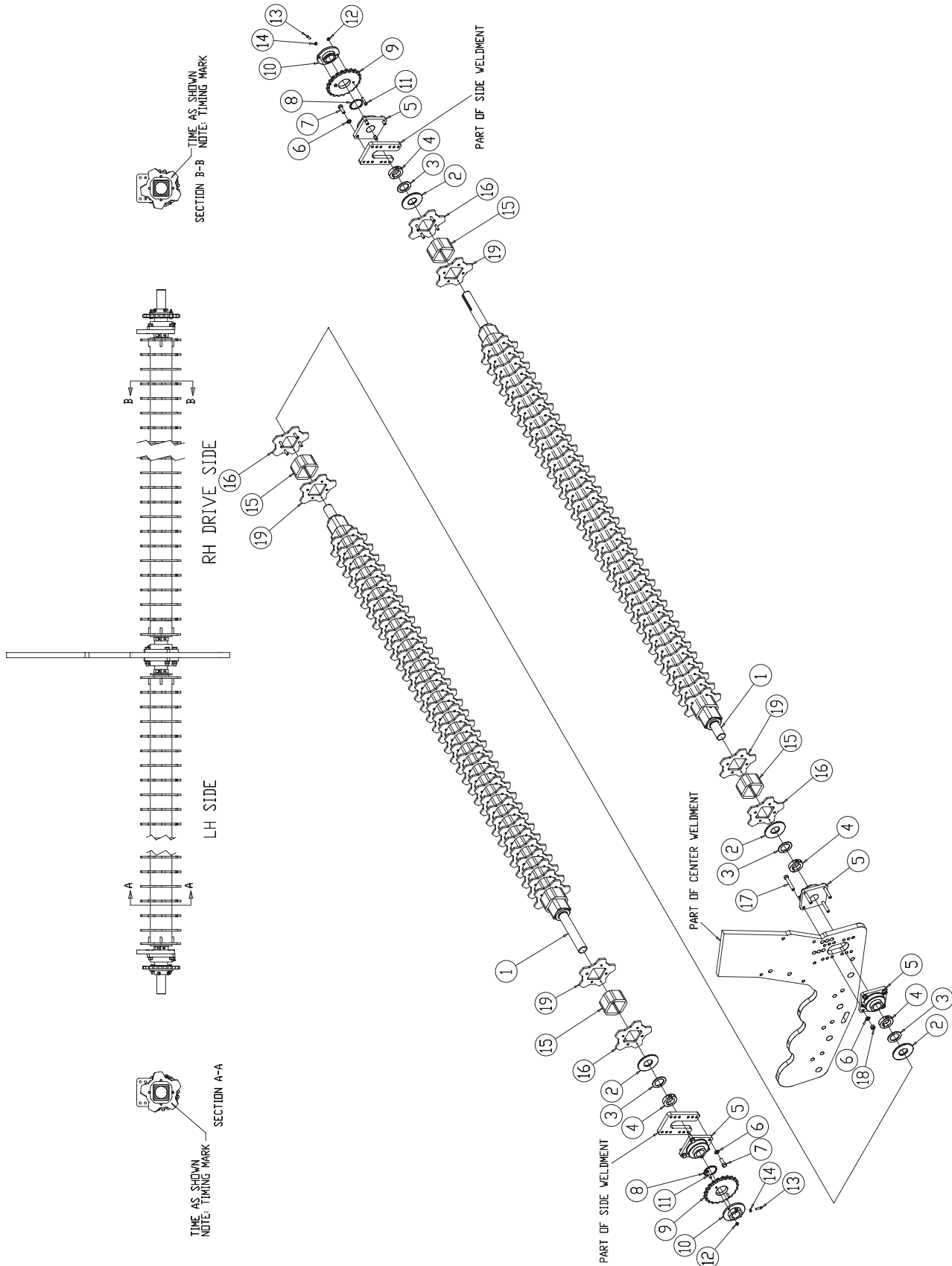
ITEM NO.	PART NUMBER	DESCRIPTION	QTY.
1	005370	WASHER, LOCK 1/2 ZN	32
2	1770500	BOLT, 1/2-13 X 1-3/4 GR5 ZN	32
3	E072489	BEARING, FLANGE 1-3/4 4 BLT	8
4	288070	BUSHING, SPLIT TAPER Q1 1-3/4 INCH	8
5	167920	KEY, SQ. 3/8 X 2-1/2	8
6	E741066	SPROCKET, 80Q18	8
7	558210	WLDT., CONV ROLL STEEL – 174.50 LENGTH (COMPLETE)	4
8	558250	WLDT., CONV ROLL POLY – 174.50 LENGTH (COMPLETE)	4

ROLLER GROUPING – STAR ROLL ASSEMBLY, (6R28/30, 8R22)



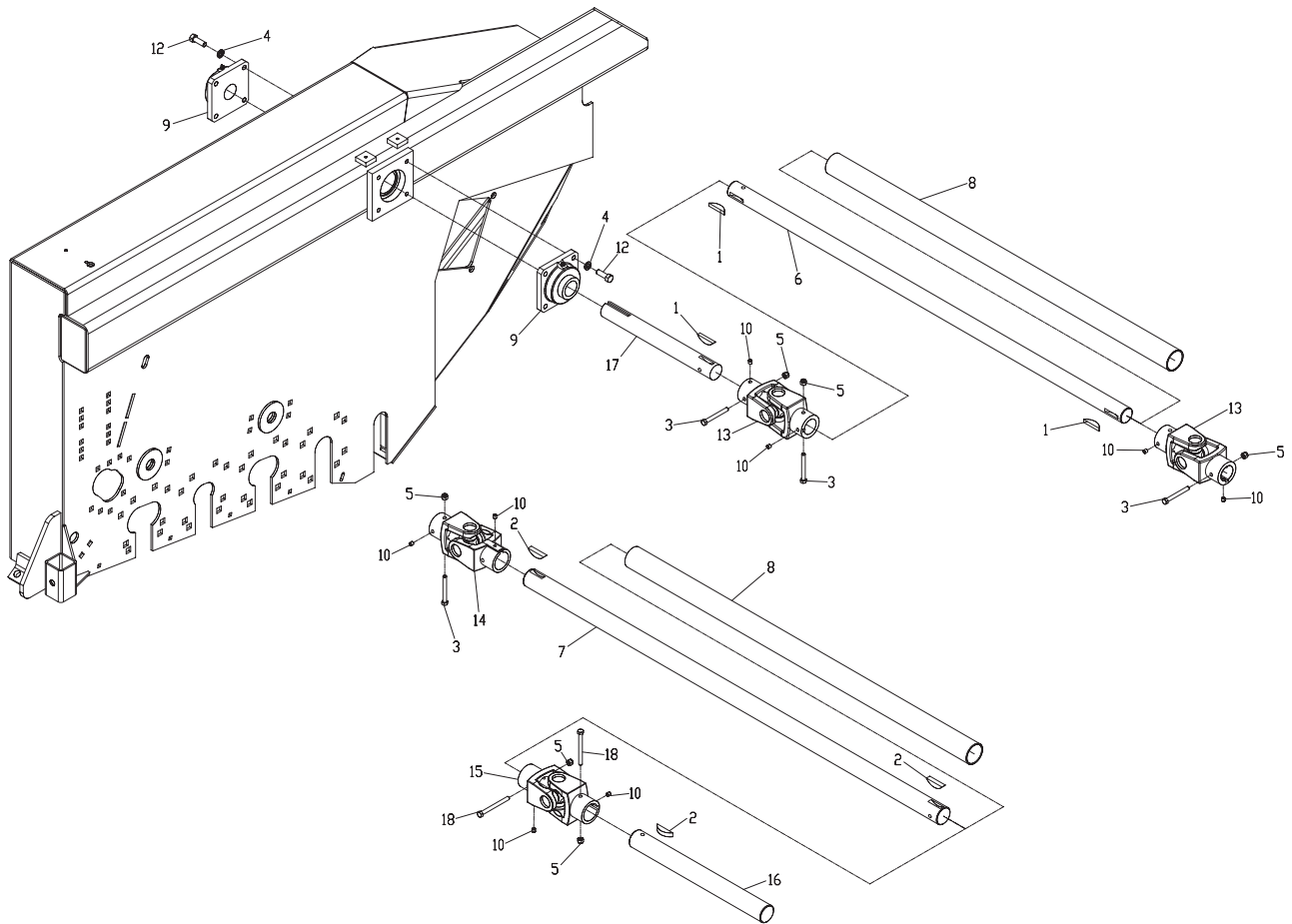
ITEM NO.	PART NUMBER	DESCRIPTION	QTY.
1	524190	SHAFT, LH STAR 1.75 X 89.00	1
2	524200	SHAFT, RH STAR 1.75 X 91.53	1
3	287700	LOCK COLLAR, SPLIT 1.75	4
4	E126034	BUSHING, MACH 1.88 X 2.88 X 0.13	4
5	E126201	BUSHING, MACH 2.5 X 3.87 X 0.134	4
6	287570	PLATE, STAR 8.0 DIA.	56
7	287600	SPACER, RUBBER	56
8	287610	SPROCKET, H60B14 1.78 BORE	2
9	163770	CHAIN, 60-2 14P	1
10	340360	BOLT, HHCS 3/8-16 X 3-1/2	2
11	I359783C1	NUT, LOCK 3/8 HEX	2
12	554060	MOUNT WLDT., CTR. BRG. MTG.	1
13	E072489	BEARING, FLG. 4.H 1.75	4
14	014770	BOLT, HHCS 1/2-13 X 1-1/2	16
15	005370	WASHER, LOCK 1/2	16
16	231950	KEY, WOODRUFF 1222-1 3/8	2
17	R61566	SCREW, SQHSS 3/8-16 X 3/4	2
18	I124829	NUT, JAM 3.8-16 HEX	2
19	023110	BOLT, HHCS 5/8-11 X 2-1/2	8
20	I124589	NUT, HEX 5/8-11	8
21	020440	WASHER, LOCK 5/8	8
22	532450	SPROCKET, PLATE RCB0-A18T	1
23	532460	HUB WLDT., SHEAR 1.75 ID	1
24	040290	RING, RETAINER	1
25	025760	BOLT, HHCS 5/16-18 X 1-1/2	2
26	025670	NUT, LOCK 5/16	2
27	039730	SCREW, SQHSS 5/16-18 X 1	2
28	033500	NUT, JAM 5/16-18 HEX	2

ROLLER GROUPING - STAR ROLL ASSEMBLY, (8R30)



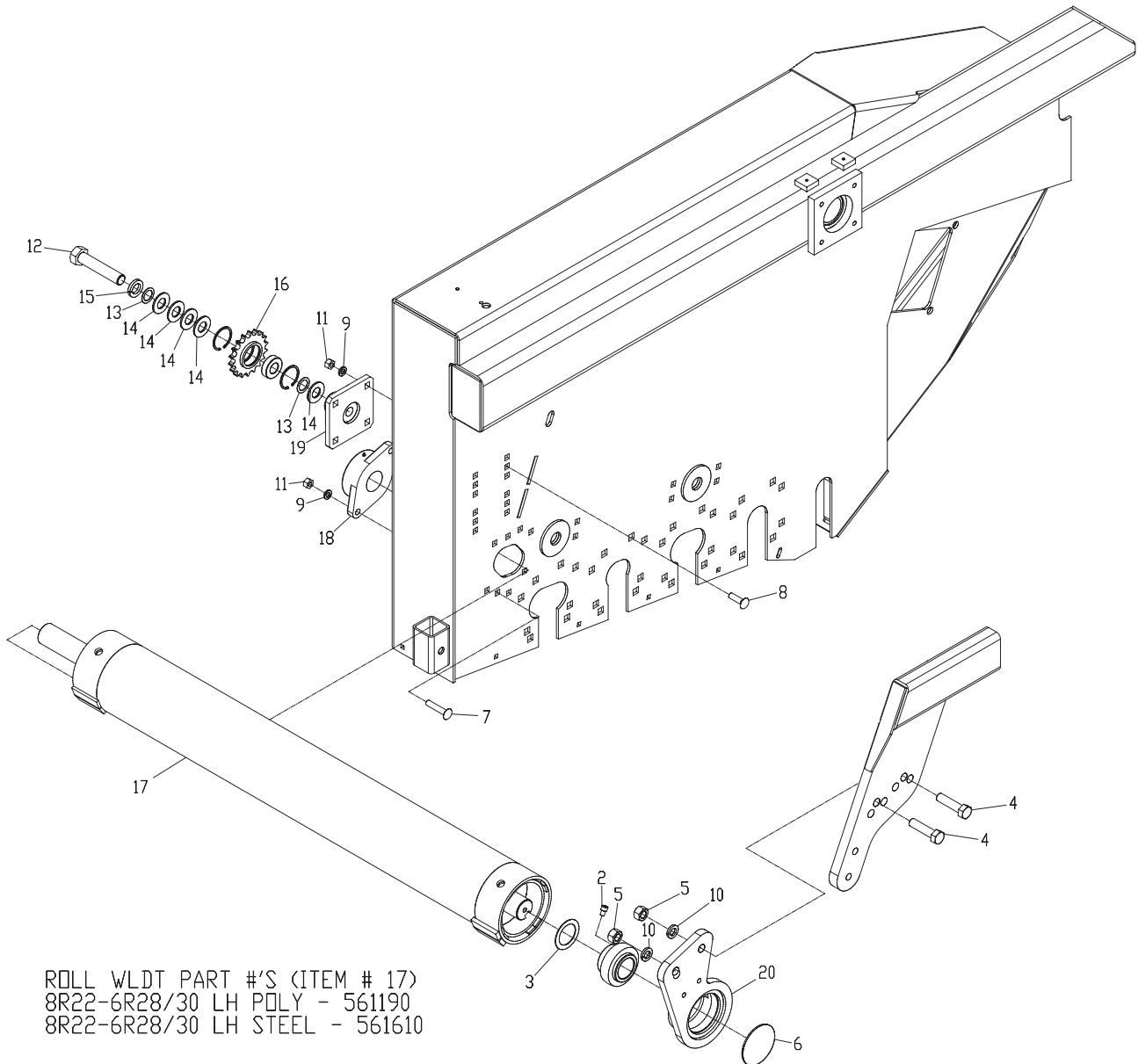
ITEM NO.	PART NUMBER	DESCRIPTION	QTY.
1	575020	SHAFT WLDT.	2
2	566080	DISK, STAR RETAIN	4
3	E126034	BUSHING, 1.88 X 2.8 X 0.134	4
4	287700	LOCK COLLAR	4
5	E072489	BEARING, FLANGE 1-3/4 4 BLT	4
6	005370	WASHER, LOCK 1/2 ZN	12
7	014770	BOLT, HHCS 1/2-13	8
8	040290	RING, RETAINING	2
9	557430	SPROCKET, PLATE	2
10	532460	HUB WLDT., SHEAR	2
11	025760	BOLT, HHCS 5/16-18 X 1-1/2	4
12	025670	HEX NUT 0.3125-18-D-N	4
13	039730	SCREW, SQHSS 5/16-18 X 1	4
14	033500	NUT, JAM 5/16-18 HEX	4
15	575000	SPACER, STAR ROLL POLY	76
16	575030	WLDT., STAR AND TUBE	4
17	041410	HHCS, 1/2-13 X 3.25, G5, ZN	4
18	005360	NUT, HEX 1/2-13	4
19	566010	PLATE, STAR	74

ROLLER GROUPING - DRIVE SHAFT ASSEMBLY, (8R22-6R28/30)



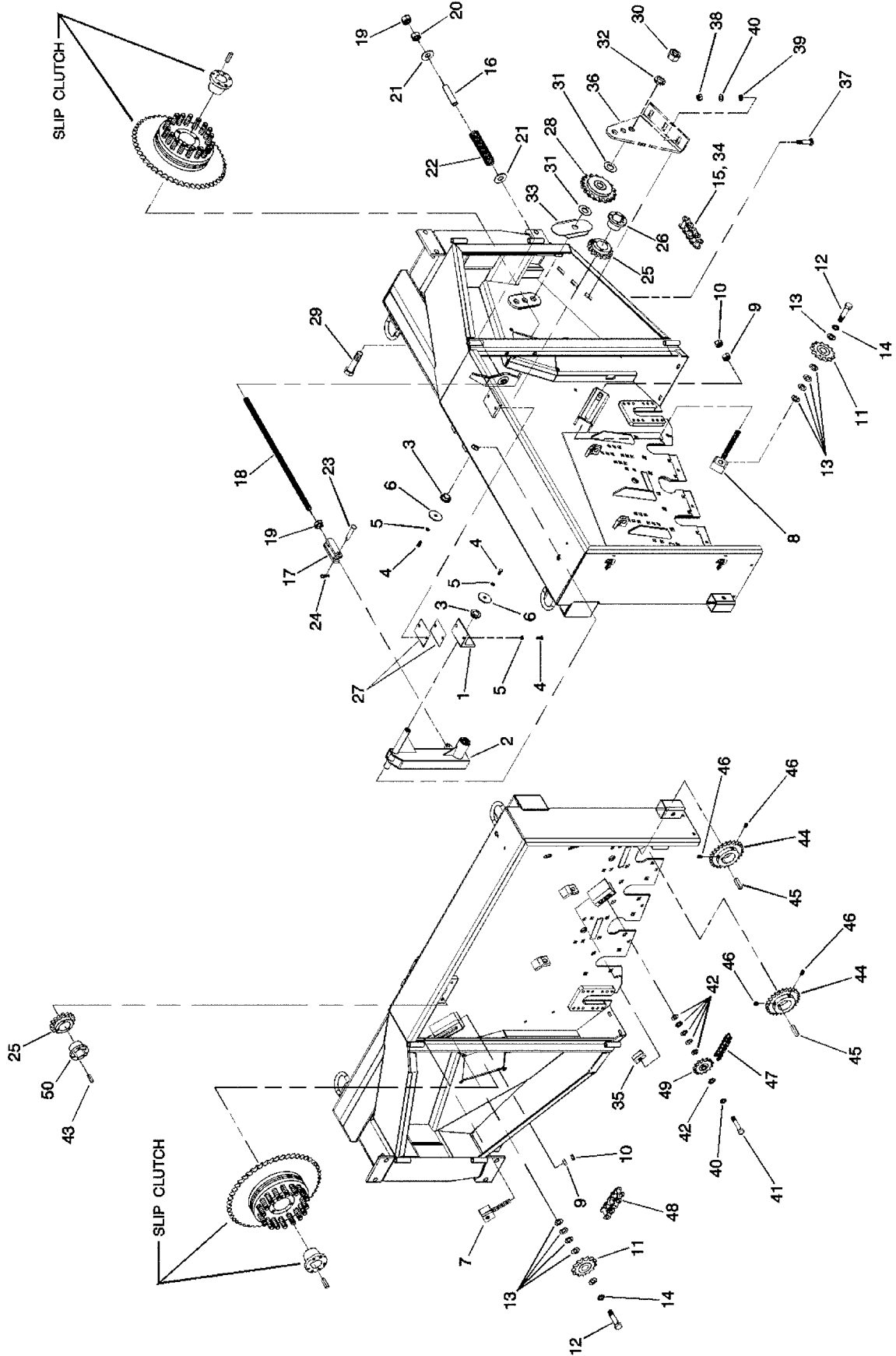
ITEM NO.	PART NUMBER	DESCRIPTION	QTY.
1	231950	KEY, WOODRUFF 3/8 X 2-3/4	3
2	498120	KEY, WOODRUFF 3/8 X 2-3/4	3
3	1189304	BOLT, HHCS 3/8-16 X 3-1/4	4
4	005370	WASHER, LOCK 1/2 ZN	2
5	073630	NUT, LOCK 3/8-16	6
6	559240	SHAFT, LH DRIVE	1
7	559250	SHAFT, RH DRIVE	1
8	525960	SHIELD, INNER SPIN	2
9	E072489	BEARING, FLANGE 1-3/4 4 BLT	2
10	218660	SCREW, HSSS 3/8-16 X 3/8	8
12	014770	BOLT, HHCS 1/2-13	2
13	286520	U JOINT, 1-3/4 RB X 1-3/4 RB	2
14	439110	U-JOINT, 1-3/4 X 2, 2500	1
15	532060	U-JOINT, 2 X 2, 2500	1
16	538770	SHAFT, RH DRIVE	1
17	532620	SHAFT, LH DRIVE OUTER	1
18	991150	BOLT, HHCS 3/8-16 X 4	2

GRABROLL - REAR GRABROLL ASSEMBLY, LH, (8R22-6R28/30)



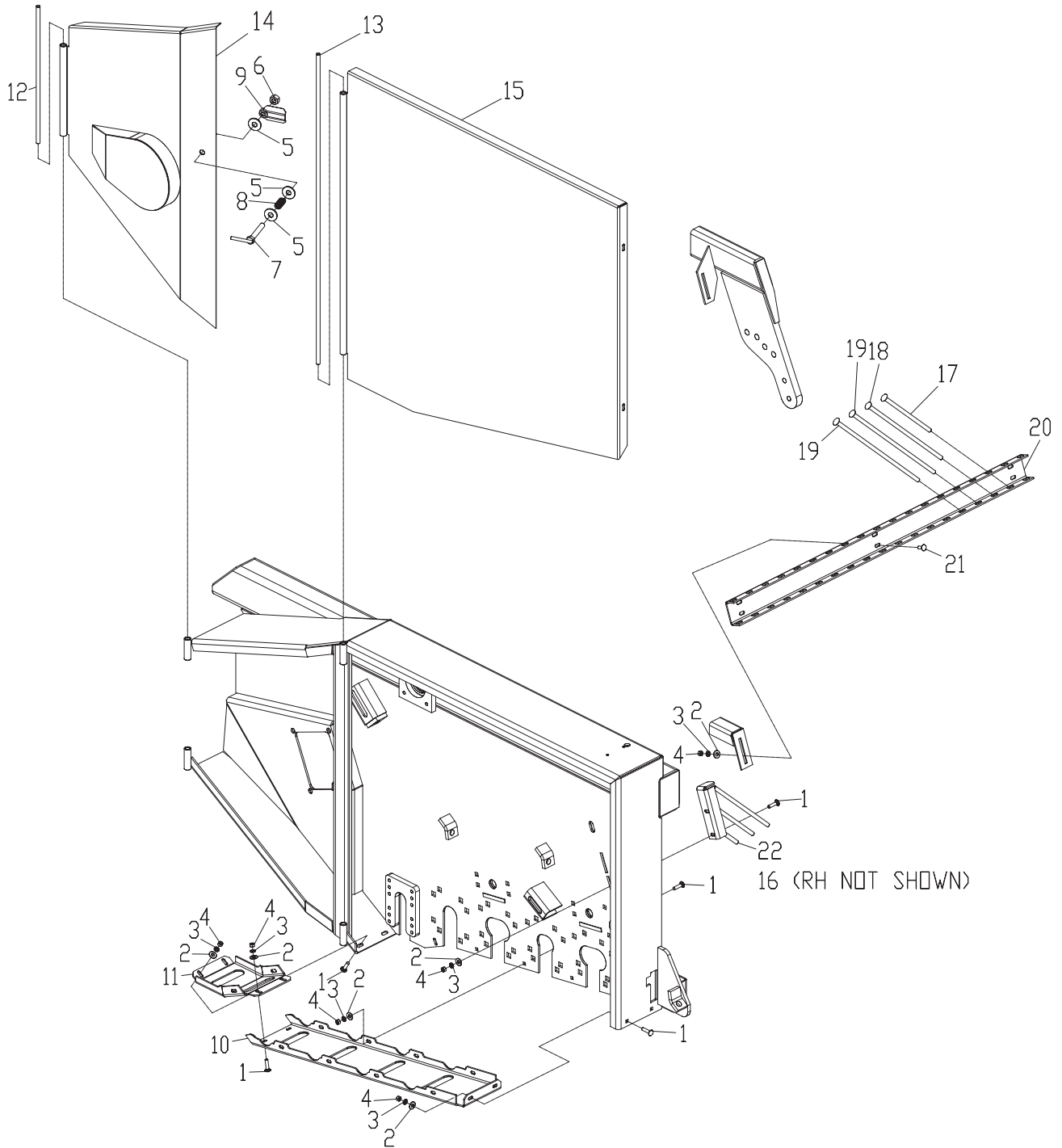
ITEM NO.	PART NUMBER	DESCRIPTION	QTY.
1	538410	BEARING, BALL 2.0	1
2	538470	SCREW, SHCS 3/8-24	1
3	I21787R1	WASHER, FLAT 2.06 X 2.94 X 0.06	2
4	990570	BOLT, HHCS 3/4-10 X 3	2
5	J14H794	NUT, HEX 3/4-10 GR5 ZN	2
6	561670	BEARING COVER	1
7	J03H1593	BOLT, CRG 1/2-13 X 2-1/2 SSN GR5 ZN	2
8	025390	RHSNBOLT 0.5-13 X 1.75 X 1.75-N	4
9	005370	WASHER, LOCK 1/2 ZN	6
10	036800	LW 3/4 INCH SAE MED	2
11	005360	NUT, HEX 1/2-13	6
12	991060	BOLT, HHCS 1-8 X 5 GR5 ZN	1
13	003370	WASHER, FLAT 1.03 X 1.50 X 0.048	2
14	033054	FW 1.02 ID X 2 INCH OD X 0.125	5
15	003350	WASHER, LOCK 1 X 1 21/32 X 1/4	1
16	E366004	SPROCKET ASSY, IDLER	1
17	561190	ROLL WLDT., LH REAR POLY	1
17A	561610	ROLL WLDT., LH REAR STEEL	1
18	551130	BEARING, FLG 2.00 INCH	1
19	561210	MOUNT WLDT, GRABROLL	1
20	561020	ARM WLDT, LH	1

PADDLE SHAFT & CHAIN DRIVES ASSEMBLY, (8R22-6R28/30)



ITEM NO.	PART NUMBER	DESCRIPTION	QTY.
1	518060	ANGLE, TENSIONER ARM MTG.	1
2	518160	ARM WLDT., BELT TENSIONER RH	1
3	522600	BUSHING, OILITE 1 X 1-1/4 X 3/4	2
4	012260	BOLT, HHCS 3/8-16 X 1	4
5	021180	WASHER, LOCK 3/8	4
6	169280	WASHER, FLAT 0.406 X 1.5 X 1.3	2
7	551360	BLOCK WLDT., IDLER ADJ., 4.75	1
8	551370	BLOCK WLDT., IDLER ADJ., 10.25	1
9	J14H794	NUT, HEX 3/4-10	2
10	E552038	NUT, JAM 3/4-10 HEX	2
11	240550	SPROCKET, IDLER 80-12T	2
12	990830	BOLT, HHCS 3/4-10 X 3-1/2	2
13	1131017	WASHER, FLAT 3/4 SAE	20
14	036800	WASHER, LOCK, 3/4	3
15	552390	CHAIN, ROLLER RC80 130P	1
16	239040	SPACER, SPRING LENGTH 4.25 INCH	1
17	561870	YOKE WLDT., THREADED 5/8-11	1
18	561880	ROD, THREADED 5/8-11 X 27.0	1
19	1121555	NUT, JAM 5/8-11 HEX	2
20	020450	NUT, HEX 5/8-11	1
21	020430	WASHER, FLAT 5/8 STD.	2
22	231000	SPRING, COMP. 1.62 X 7.25	1
23	1071212	PIN, CLEVIS 1/2 X 1-1/2	1
24	124350	PIN, COTTER 1/8 X 1-1/2	1
25	E741067	SPROCKET 80Q15	2
26	E126080	BUSHING, SPLIT TAPER Q1 2.0	1
27	532760	SHIM, IDLER ARM	2
28	541740	SPROCKET ASSY., IDLER 80C18	1
28A	R50800	BEARING, BALL 1.0 COD	1
29	991060	BOLT, HHCS 1-8 X 5 6R5 ZN	1
30	J14H805	NUT, HEX 1-8	1
31	003370	WASHER, FLAT 1.03 X 1.50 X 0.47	8
32	003350	WASHER, LOCK 1 INCH	1
34	051690	LINK, RC80-0 OFFSET	7
35	518380	SLIDE, IDLER TENSIONER	1
36	551610	MOUNT, RH FRONT IDLER	1
37	E096058	BOLT, CRG 5/8-11 X 2-1/2	3
38	1124589	NUT, HEX 5/8-11	3
39	020430	WASHER, FLAT 5/8 SAE	3
40	020440	WASHER, LOCK 5/8	4
41	990650	BOLT, HHCS 5/8-11 X 3	1
42	035210	WASHER, FLAT 5/8 SAE	6
43	167920	KEY, SQUARE 3/8X 2-1/2	1
44	523930	SPROCKET, 60B25 2.0 B 0.5 KW	2
45	R66305	KEY, SQUARE 1/2 X 2	2
46	1070124	SCREW, HSSS 1/2-13 X 3/4	4
47	532960	CHAIN, ROLLER RC60 62P - REAR DIVERter OPTION	1
47A	561410	CHAIN, ROLLER RC60 84P - REAR GRABROLL OPTION	1
48	261920	CHAIN, ROLLER RC80 88P	1
49	E366013	SPROCKET, 60B13 IDLER	1
50	288070	BUSHING, SPLIT TAP, Q1 1-3/4	1

PADDLE SHAFT & CHAIN DRIVES - DOOR & SHIELD ASSEMBLY, LH, (8R22-6R28/30)



ITEM NO.	PART NUMBER	DESCRIPTION	QTY.
1	J03H1558	RHSNBOLT 0.375-16 X 1.5 X 1.5-N	11
2	021190	WASHER, FLAT 3/8 STD 7/16 X 1 X 5/64 ZN	17
3	021180	LW 0.375	17
4	027260	HNUT 0.3750-16-GR5 ZN	17
5	020430	WASHER,FLAT 5/8 STD	3
6	1124589	HNUT 0.6250-11-D-ZN	1
7	518830	HANDLE WLDT, DOOR	1
8	518900	SPRING, COMP	1
9	518850	LATCH WLDT, DOOR	1
10	558720	PANEL, LOWER	1
11	558730	PANEL, LOWER	1
12	518710	PIN WLDT., DOOR	1
13	518720	PIN WLDT., DOOR	1
14	518670	DOOR WLDT, HEAD LH	1
15	518680	DOOR WLDT, HEAD LH	1
16	556870	GRATE WLDT, RH	1
17	532050	ROD, GRATE 1/2 X 9.25	2
18	347540	ROD, GRATE 1/2 X 14.75	2
19	264190	ROD, GRATE 1/2 X 16.50	15
20	561230	CHANNEL, GRATE	1
21	170530	BOLT, CRG 3/8-16 X 1 SSN GR5 ZN	6
22	556840	GRATE WLDT, LH	1

NOTES:

Art's

Since

NOTES:





Art's-Way Manufacturing Co., Inc. TECHNICAL MANUALS

Manuals are available from your local dealer or Art's-Way Manufacturing Co., Inc. for the operation, service, and repair of your machine. For prompt convenient service, contact your local dealer for assistance in obtaining the manuals for your machine.

Your local dealer can expedite your order for operator manuals, illustrated parts catalogs, service manuals, and maintenance records.

Always give the Machine Name, Model, and Serial Number so your local dealer can provide the correct manuals for your machine.

Art's-Way Manufacturing Co., Inc. reserves the right to make improvements in design or changes in specifications at any time without incurring any obligation to install them on units previously sold.

Except as expressly authorized, no part of this manual may be reproduced, copied, transmitted, disseminated, downloaded or stored in any storage medium, for any purpose without the express prior written consent of Art's-Way Manufacturing Co., Inc.

ART'S-WAY MANUFACTURING CO., INC.

HWY 9 WEST - PO Box 288

Armstrong, IA. 50514 U.S.A

© Copyright 2012

ART'S-WAY MANUFACTURING CO., INC.

All Rights Reserved