



Art's-Way Manufacturing Co., Inc.

Model 6140 CATTLEMAXX
Grinder/Mixer

Illustrated Parts List
615670

Issued October 2017



This symbol means ATTENTION! BECOME ALERT! YOUR SAFETY IS INVOLVED. The message that follows the symbol contains important information about your safety. Carefully read the message. Make sure you fully understand the causes of possible injury or death.

IF THIS MACHINE IS USED BY AN EMPLOYEE, IS LOANED, OR IS RENTED, MAKE SURE THAT THE OPERATOR UNDERSTANDS THE TWO INSTRUCTIONS BELOW.

BEFORE THE OPERATOR STARTS THE ENGINE:

GIVE INSTRUCTIONS TO THE OPERATOR ON SAFE AND CORRECT USE OF THE MACHINE.

MAKE SURE THE OPERATOR READS AND UNDERSTANDS THE OPERATOR'S MANUAL FOR THIS MACHINE.

 **WARNING**

IMPROPER OPERATION OF THIS MACHINE CAN CAUSE INJURY OR DEATH.

BEFORE STARTING THE ENGINE, DO THE FOLLOWING:

1. READ THE OPERATOR'S MANUAL.
2. READ ALL SAFETY DECALS ON THE MACHINE.
3. CLEAR THE AREA OF OTHER PERSONS.
4. LEARN AND PRACTICE SAFE USE OF MACHINE CONTROLS IN A SAFE AND CLEAR AREA BEFORE YOU OPERATE THIS MACHINE ON A JOB SITE.

It is your responsibility to observe pertinent laws and regulations and to follow manufacturer's instructions on machine operation and maintenance.

See your Authorized Art's-Way Manufacturing Co., Inc. dealer or Art's-Way Manufacturing Co., Inc. for additional operator's manuals, illustrated parts catalogs, and service manuals.

TO THE OWNER

Congratulations on the purchase of your new Art's-Way Grinder/Mixer. You have selected a top quality machine that is designed and built with pride to ensure you have many years of efficient and reliable service.

Many people have worked on the design, production, and delivery of this Grinder/Mixer. The information in this manual is based on the knowledge, study, and experience through years of specializing in the manufacturing of farm machinery. This manual is designed to provide you with important information regarding safety, maintenance, and machine operation so you can and will get the best possible performance from your Grinder/Mixer.

Even if you are an experienced operator of this or similar equipment, we ask that you read this manual before operating this Grinder/Mixer. The way you operate, adjust, and maintain this unit will have much to do with its successful performance. Any further questions you may have about this product of Art's-Way equipment should be directed to your local Art's-Way dealer or to Art's-Way Manufacturing Co., Inc., Armstrong, Iowa, 50514, (712) 864-3131.

SPECIFICATIONS AND DESIGN ARE SUBJECT TO CHANGE WITHOUT NOTICE

Art's-Way Manufacturing Co., Inc. is continually making product improvements. In doing so, we reserve the right to make changes and/or add improvements to our products without obligation for the equipment previously sold.

Modifications to this Grinder/Mixer may affect the performance, function, and safety of its operation. Therefore, no modifications are to be made without the written permission of Art's-Way Manufacturing Co., Inc. Any modification made without the written permission of Art's-Way Manufacturing Co., Inc. shall void the warranty of this product.

In the interest of continued safe operation of this Grinder/Mixer, pay particular attention to the safety alert symbol(s) throughout this manual.

Art's-Way Manufacturing Co., Inc. STATEMENT OF PRODUCT LIABILITY

Art's-Way Manufacturing Co., Inc. recognizes its responsibility to provide customers with a safe and efficient product. Art's-Way Manufacturing Co., Inc., attempts to design and manufacture its products in accordance with all accepted engineering practices effective at the date of design. This statement should not be interpreted to mean that our products will protect against the user's own carelessness or failure to follow common safety practices nor will Art's-Way Manufacturing Co., Inc., be liable for any such act. In addition, Art's-Way Manufacturing Co., Inc., assumes no liability for any altered product or any modified product by users or anyone other than an authorized dealer.

IMPORTANT WARRANTY INFORMATION

The warranty for this Grinder/Mixer appears on page 6 of this manual. In order to establish proper warranty registration, the Warranty Registration must be completed and returned to the factory. Failure to comply with this requirement will result in invalidating the warranty!

LIMITATIONS OF THIS MANUAL

This manual contains operating instructions for your 6140 CATTLEMAXX Grinder/Mixer only. Any mention of other machinery in this manual other than the 6140 CATTLEMAXX Grinder/Mixer is for reference only. This manual does not replace nor is it to be used for any machinery that may be attached to or used in conjunction with the 6140 CATTLEMAXX Grinder/Mixer.

PARTS & SERVICE

As the purchaser of your new grinder/mixer, it is very important to consider the following factors:

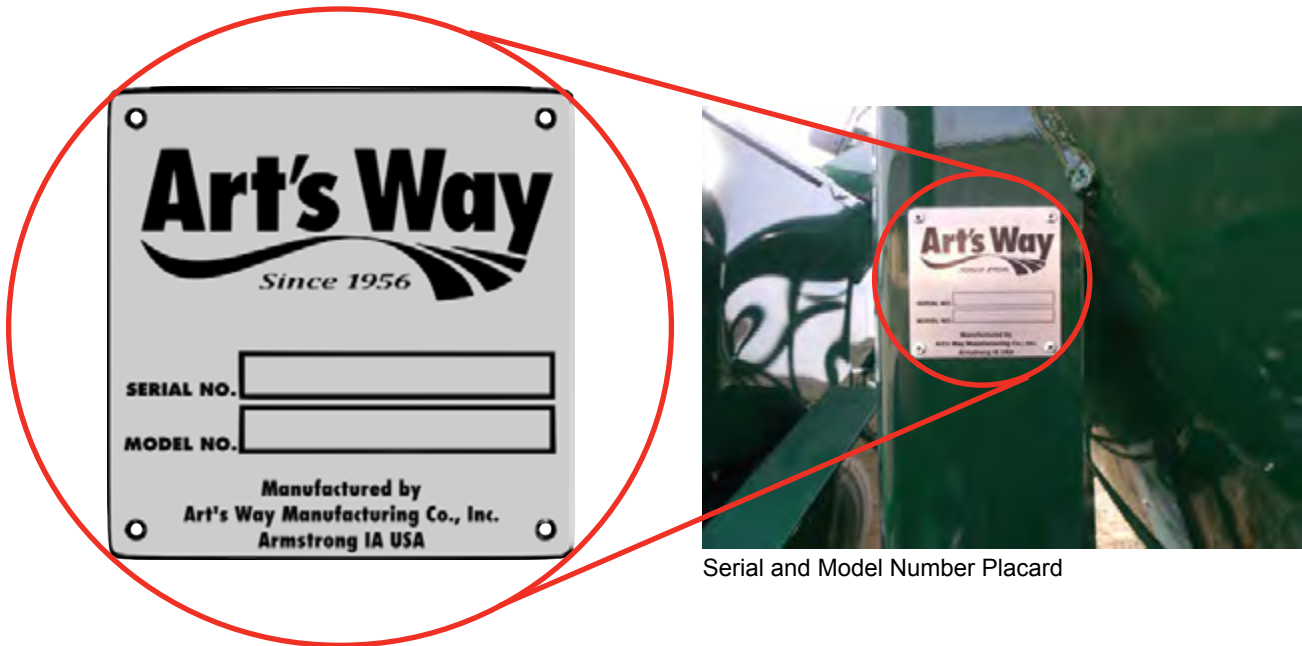
A. Original Quality

B. Availability of Service Parts

C. Availability of Adequate Service Facilities

Art's-Way Manufacturing Co., Inc. has an excellent dealership network ready to answer any questions you may have about your grinder/mixer. Parts for your machine may be ordered through our dealers. When placing a parts order, please have the **model** and **serial number** ready. This will allow the dealer to fill your order as quickly as possible.

For your convenience, we have provided this space for you to record your model number, serial number, and the date of purchase, as well as your dealer's name and address.



Serial and Model Number Placard

TABLE OF CONTENTS

TO THE OWNER	1
SPECIFICATIONS AND DESIGN ARE SUBJECT TO CHANGE WITHOUT NOTICE	1
Art's-Way Manufacturing Co., Inc. STATEMENT OF PRODUCT LIABILITY	1
IMPORTANT WARRANTY INFORMATION	1
LIMITATIONS OF THIS MANUAL	1
PARTS & SERVICE	2
TABLE OF CONTENTS	3-5
LIMITED WARRANTY	6
SAFETY FIRST	7
NOTICES OF DANGER, WARNING, AND CAUTION	7
SAFETY INSTRUCTIONS	8
GENERAL	8
BEFORE OPERATING	9
DURING OPERATION	9
MAINTENANCE SAFETY	9
HYDRAULIC SAFETY	10
TRANSPORTATION SAFETY	10
STORAGE SAFETY	10
TIRE SAFETY	11
ASSEMBLY SAFETY	11

TABLE OF CONTENTS	
NAME	PAGE
SPINDLE, HITCH, & HUB ASSEMBLY	14
TANK ASSEMBLY	16
MIXING AUGER ASSEMBLY	18
GEARBOX ASSEMBLY, MIXER	20
SUPPLEMENT HOPPER ASSEMBLY	22
ROLLERMILL BELT DRIVE ASSEMBLY	24
ROLLERMILL DRIVE ASSEMBLY	26
ROLLERMILL WITH OFFSET HOPPER ASSEMBLY	28
DRIVE ROLL ASSEMBLY	30
IDLER (ECCENTRIC) ROLL ASSEMBLY	32
COVER FOR OFFSET HOPPER WITHOUT AUGER FEEDER ASSEMBLY	34
AUGER FEEDER ROLLERMILL ASSEMBLY	36
AUGER FEEDER ROLLERMILL ASSEMBLY (CONTINUED)	38
DRIVE & GEARBOX ASSEMBLY, LOWER	40
MILL TO MIXER AUGER ASSEMBLY	42
HYDRAULIC TANK ASSEMBLY	44
AUGER FEEDER & SWING HYDRAULIC MOTOR KITS	46
DISCHARGE HYDRAULIC MOTOR KIT - 576240	46
AUGER FEEDER & ROLL FEED FLOW CONTROL VALVE ASSEMBLY - 585130	47
HOPPER & DRIVE ASSEMBLY, MECHANICAL DISCHARGE	48
HOPPER & DRIVE ASSEMBLY, DISCHARGE, LOWER	50
HOPPER & DRIVE ASSEMBLY, DISCHARGE, UPPER	52
HOPPER & DRIVE ASSEMBLY, EXTENSION, 3FT (OPTIONAL)	54
HOPPER & DRIVE ASSEMBLY, EXTENSION, 6FT (OPTIONAL)	56
HOPPER & DRIVE ASSEMBLY, EXTENSION, FOLDABLE (OPTIONAL)	58
HOPPER & DRIVE ASSEMBLY, HOOD ASSEMBLY	60
SCALE ARM ASSEMBLY	62
CONTROLL BOX & WIRE HARNESS ASSEMBLY	64
TRACTOR HYDRAULIC VALVES ASSEMBLY	66
HYDRAULIC MANIFOLD ASSEMBLY	68
SELF-CONTAINED HYDRAULIC SCHEMATIC	70
TRACTOR HYDRAULIC SCHEMATIC	71

LIMITED WARRANTY

Refer to the operator's manual for warranty information.

SAFETY FIRST

SAFETY INSTRUCTIONS

“A careful operator is the best insurance against an accident.” Quote from the National Safety Council.

Most accidents can be prevented if the operator:

1. Fully understands how the machine functions.
2. Can anticipate situations which may produce problems.
3. Can make necessary corrections before problems develop.

**THIS SYMBOL MEANS ATTENTION!
BECOME ALERT!
YOUR SAFETY IS INVOLVED!**



- Universal Safety Alert Symbol

The American Society of Agricultural Engineers has adopted the Universal Safety Alert Symbol as a way to identify areas of potential danger if the equipment is not operated correctly. Please be alert whenever you see this symbol in the manuals or on your grinder/mixer.

Art's-Way Manufacturing Co., Inc. strives to make our equipment as safe as possible. The Art's-Way 6140 CATTLEMAXX Grinder/Mixer conforms to applicable safety standards at the time of manufacturing. A safety conscious equipment operator makes an effective accident-prevention program complete.

Safety features and instructions for the grinder/mixer are detailed in the Safety Guidelines section of this Operator's Manual. It is the responsibility of the owner to ensure that all operators read and understand the manual before they are allowed to operate the grinder/mixer. (Occupational Safety and Health Administration (OSHA) regulations 1928.57).

NOTICES OF DANGER, WARNING, AND CAUTION

Signal Words: Note the use of signal words **DANGER**, **WARNING**, and **CAUTION** on the grinder/mixer and in this manual. The appropriate signal word for each has been selected using the following guidelines:

! DANGER

Indicates a hazardous situation which, if not avoided, will result in death or serious injury.

! WARNING

Indicates a hazardous situation which, if not avoided, could result in death or serious injury.

! CAUTION

Indicates a potentially hazardous situation which, if not avoided, could result in minor or moderate injury.

NOTICE

NOTICE is used to address practices not related to physical injury.

SAFETY INSTRUCTIONS

Safety instructions (or equivalent) signs indicate specific safety-related instructions or procedures.

Note: Contains additional information important to a procedure and will be found within the regular text body of this manual.

GENERAL

SAFETY INSTRUCTIONS

Most work related accidents are caused by failure to observe basic safety rules or precautions. An accident can often be avoided by recognizing potentially hazardous situations before an accident occurs. As you operate and maintain the grinder/mixer you must be alert to potential hazards. You should also have the necessary training, skills, and tools to perform any assembly procedure.

Improper operation and/or maintenance of this unit could cause a dangerous situation that results in injury or death.

Do not use this unit until you read and understand the information contained in this manual. Do not use this equipment for anything other than its intended purpose.



Safety precautions and warnings are provided in this manual and on the unit. If these hazard warnings are not heeded, bodily injury or death could occur to you or to other persons.

Art's-Way Manufacturing Co., Inc. cannot anticipate every possible circumstance that might involve a potential hazard. The warnings in this manual and on the product are, therefore, not all-inclusive. If a method of operation not specifically recommended by us is used, you must satisfy yourself that it is safe for you and for others. You should also ensure that the unit will not be damaged or be made unsafe by the methods that you choose.

The information, specifications, and illustrations in this manual are based on the information that was available at the time this material was written and can change at any time.

Safety Alert Symbols



death.

This is the safety alert symbol. It is used to alert you to potential personal injury hazards. Obey all safety messages that follow this symbol to avoid possible injury or

This manual contains DANGERS, WARNINGS, CAUTIONS, NOTICES, SAFETY INSTRUCTIONS, and NOTES which must be followed to prevent the possibility of improper service, damage to the equipment, personal injury, or death. The following key words call the readers attention to potential hazards.

Hazards are identified by the "Safety Alert Symbol" and followed by a signal word such as "DANGER", "WARNING", or "CAUTION".

**SAFETY
INSTRUCTIONS**

**Remember:
"The Best Operator is a Safe Operator"**

CAUTION



Read and understand the operator's manual and all the safety decals before operating the grinder/mixer. Review all safety instructions with all operators annually.

BEFORE OPERATING

SAFETY
INSTRUCTIONS

Do not wear loose fitting clothing as it may catch in moving parts.



Make sure all guards and shields are installed, including the tractor power take-off (PTO) master shield, before starting or operating the grinder/mixer.



Be sure that the correct implement driveline parts are used and that they are properly secured.

Lower the lifter wheels when the grinder/mixer is not in use.

Install safety chain when attaching the grinder/mixer to the tractor.



Clear the area of bystanders, especially children, when making repairs, adjustments, or performing maintenance on the grinder/mixer.



Do not allow riders.

Put all tractor and machine controls in “neutral” and disengage the PTO before starting. Follow the starting instructions according to the OEM tractor manual.



Operate the grinder/mixer only while seated on the tractor seat.



Make sure the unit is adequately supported with safety blocks or safety stands when changing tires or performing maintenance.

DURING OPERATION

CAUTION



Entanglement Hazard
Keep hands, feet, hair, and clothing away from moving parts. Wait for all movement to stop before approaching equipment.

Before making adjustments:

1. Shut off the tractor,
2. Set parking brake,
3. Put machine in neutral, and
4. Remove key while making adjustments.



Keep all shields and guards in place and in good working condition.



Keep all bystanders, especially children, away from the grinder/mixer while in operation.



Do not allow riders while the grinder/mixer is in operation.



Do not attempt to unclog, clean, or adjust the grinder/mixer while it is running.



Stay away from overhead power lines. Electrocutation can occur even without direct contact.



Keep all hydraulic lines, fittings, and couplers tight and free of leaks. (Refer to Safety Guidelines – Hydraulic Safety).



Use caution when ascending or descending on the grinder/mixer. Wet shoes or boots are slippery.

MAINTENANCE SAFETY

SAFETY
INSTRUCTIONS

Follow all operating, maintenance, and safety instructions found in this Manual.



Before servicing, adjusting, repairing, or unclogging the machine, always make sure the tractor engine is stopped, key in your pocket, the machine is lowered to the ground, all controls are placed in neutral, the parking brake is set, and all the moving parts have stopped.



Use sufficient tools, jacks, and hoists that have the capacity for the job.



Use support blocks or safety stands when changing tires or performing maintenance.



Follow good shop practices of keeping the service area clean and dry, and use adequate light for the job at hand.



Before applying pressure to the hydraulic system, make sure all lines, fittings, and couplers are tightly secured and in good condition.



Make sure all shields/guards are in place and properly secured when performing maintenance.

HYDRAULIC SAFETY

SAFETY INSTRUCTIONS

Follow all operating, maintenance, and safety instructions found in this Manual.

Make sure components in the hydraulic system are kept clean and in good working condition.



Relieve pressure from the hydraulic system before servicing or disconnecting from the tractor.



Keep all hydraulic lines, fittings, and couplers tightly secured and free of leaks.



Replace any worn, cut, abraded, flattened, or crimped hoses.



Do not make any temporary repairs to the hydraulic lines, fittings, or hoses using tape, clamps, or cement. The hydraulic system operates under extremely high pressure and temporary repairs may fail suddenly and create a hazardous/dangerous situation.



Wear proper hand and eye protection when searching for a high-pressure hydraulic leak. Use a piece of wood or cardboard as a backstop instead of hands to identify and isolate a leak. If injured by a concentrated high-pressure stream of hydraulic fluid, seek medical attention immediately. Serious infection or toxic reaction can develop if hydraulic fluid penetrates the surface of the skin.

Before applying pressure to the system, make sure all components are tight and that the hydraulic lines, hoses, and couplings are not damaged.

TRANSPORTATION SAFETY

SAFETY INSTRUCTIONS

Follow all operating and safety instructions found in this manual when transporting this equipment.

Make sure the grinder/mixer complies with all local regulations regarding transporting equipment on public roads and highways.



Make sure the Slow Moving Vehicle (SMV) emblem and all lights and reflectors required by local highway and transportation authorities are properly in place, clean, and clearly visible to traffic.



Do not allow riders on any machinery during transport.

Make sure the grinder/mixer is securely attached to the tractor and install a safety chain to the grinder/mixer.

Make sure the tractor brake pedals are latched together.

Do not exceed 20 mph (32 km/h) when transporting the grinder/mixer. Always reduce speed on rough roads and surfaces, or when going down inclines.

Use caution when turning and always use the turn signals on the tractor to indicate your turning intentions to the other traffic.

The weight of the trailed machine should NEVER exceed the weight of the towing vehicle.

Check all clearances carefully whenever the machine is towed.

Lower the elevator into the transport position before transporting the grinder/mixer on the highway.



Stay away from overhead obstructions and power lines during transport. Electrocution can occur even without direct contact.

STORAGE SAFETY

SAFETY INSTRUCTIONS

Follow all operating and safety instructions found in this manual when storing this equipment.



Store the grinder/mixer in an area away from human activity.



Do not permit children to play on or around the stored machine at any time.

Make sure that the grinder/mixer is stored in an area with a firm and level base to prevent the machine from tipping or sinking into the ground.



Block the wheels to prevent the machine from rolling.

TIRE SAFETY**SAFETY
INSTRUCTIONS**

Follow all operating and safety instructions found in this manual when working around tires.

Have only a qualified tire dealer or tire repair service perform tire repairs.

Do not attempt to install a tire on a wheel or rim unless you have the proper equipment and experience to do the job.

Do not substitute tires with a lesser road rating and/or capacity for the original equipment tires.

WARNING

Explosive Force Hazard
Tire replacement, repair, and/or maintenance should be done by a qualified tire dealer or qualified repair service.

Failure to follow proper procedures when installing a tire on a wheel or rim can produce an explosive force that will result in serious injury or death.

Do not attempt to install a tire without proper equipment and experience to perform the job.

ASSEMBLY SAFETY**SAFETY
INSTRUCTIONS**

Follow all assembly, operating, and safety instructions found in this manual when assembly this equipment.



Use adequate manpower to perform assembly procedures safely.

Assemble the grinder/mixer in an area with sufficient space to maneuver the largest components and allow easy access to all sides of the machine.



Use only forklifts, lift cranes, jacks, and tools with sufficient capacity for the loads.

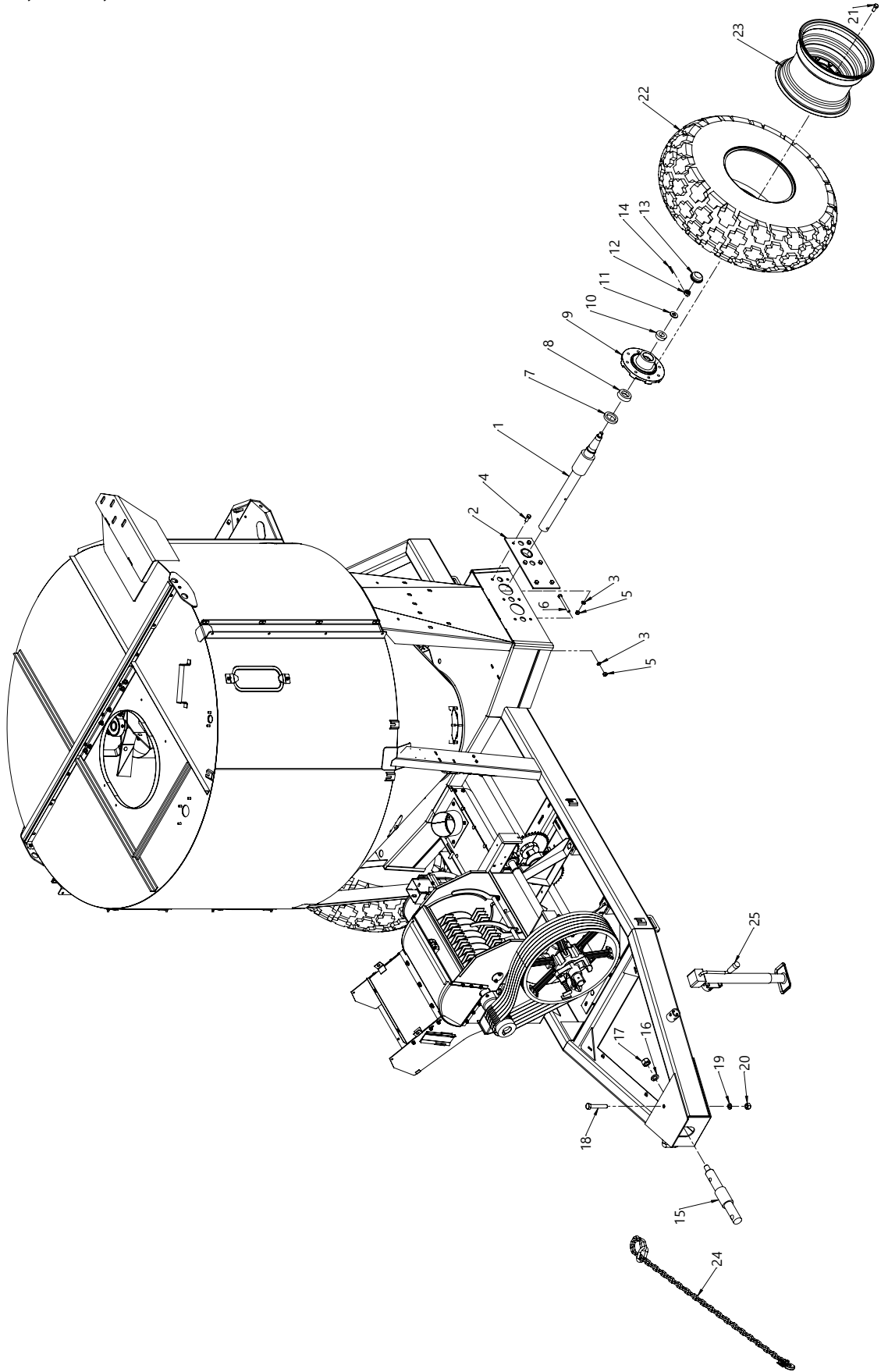


Do not allow spectators, especially children, in the working area.

**THIS PAGE
LEFT
INTENTIONALLY
BLANK**

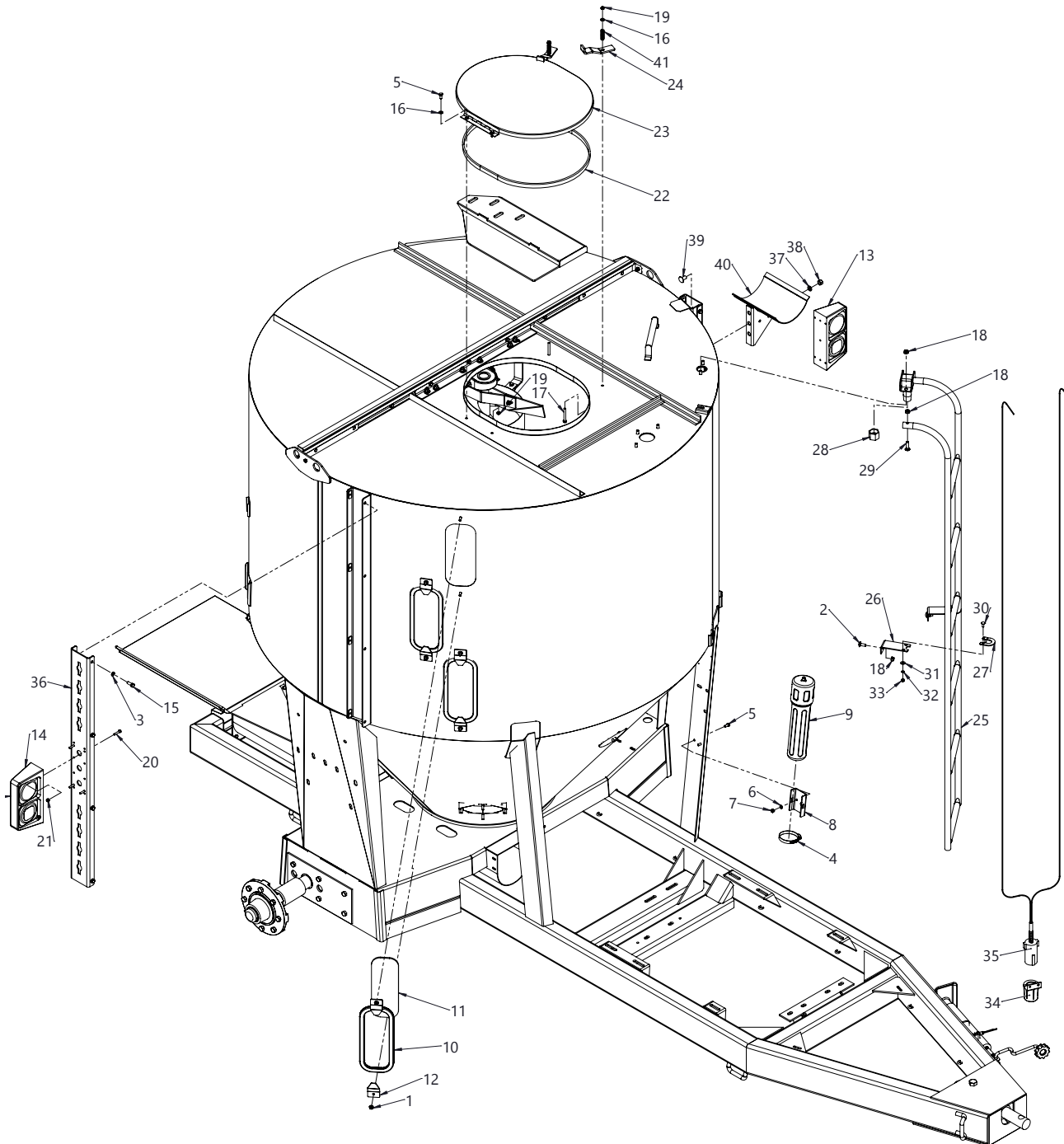
SECTION 1: GRINDER/MIXER

SPINDLE, HITCH, & HUB ASSEMBLY



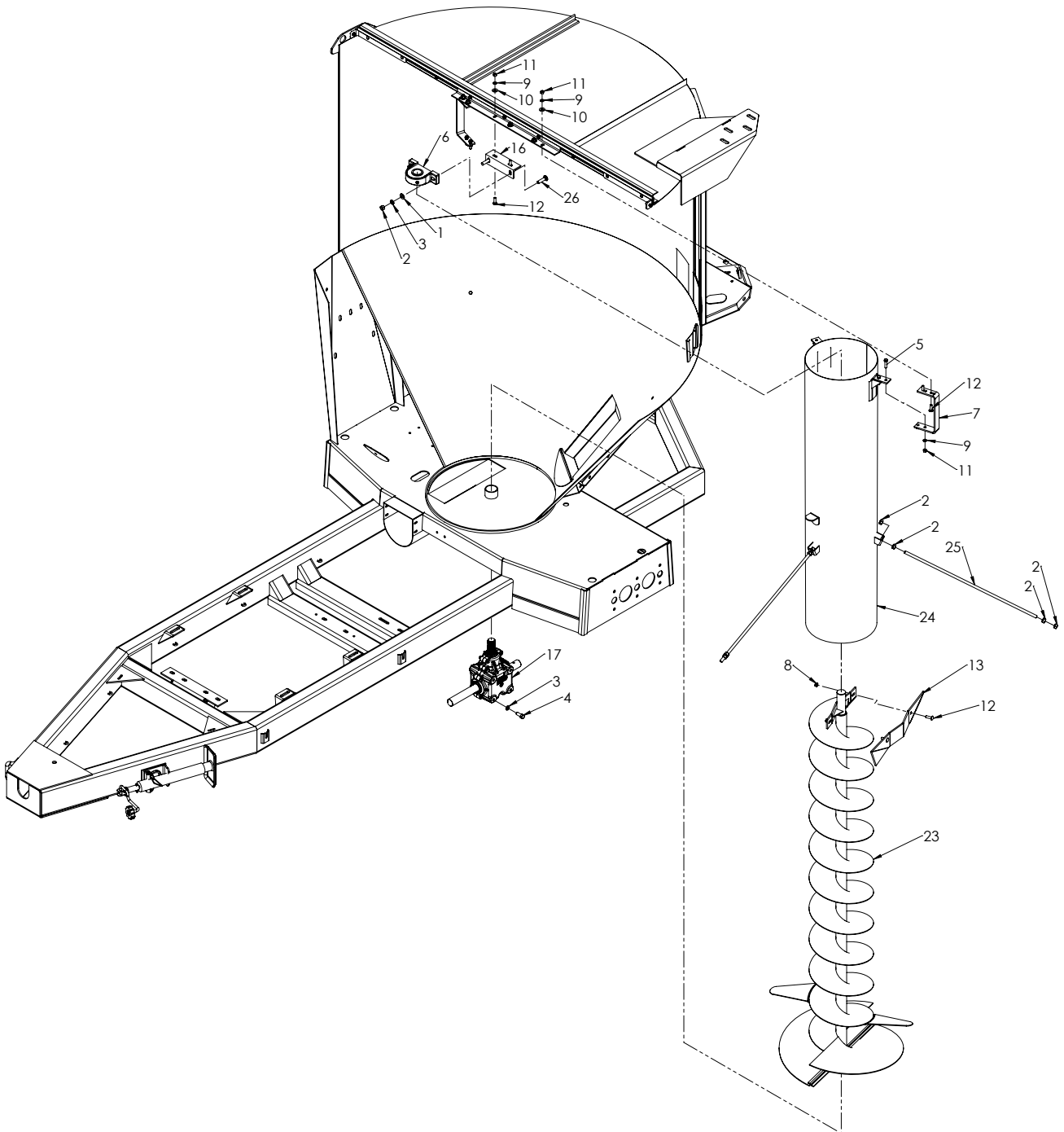
ITEM NO.	PART NUMBER	DESCRIPTION	QTY.
1	610480	SPINDLE, LOAD CELL	2
2	363940	BRACKET, MOUNTING	2
3	005370	WASHER, LOCK 1/2	24
4	010730	BOLT, HHCS 1/2-13 X 1-1/4"	20
5	005360	NUT, HEX 1/2-13	28
6	030420	HBOLT 1/2-13 x 4-1/2" GR5 ZN	2
7	121130	SEAL, WHEEL	2
8	042310	BEARING CONE	2
9	042330	HUB ASSY,	2
10	012630	BEARING CONE	2
11	020720	WASHER, FLAT	2
12	020710	BUT, SLOTTED 3/4-16 GR5 ZN HEX	2
13	035420	HUBCAP, 2 1/2"	2
14	026630	COTTER PIN, 5/32 X 1-1/2	2
15	599960	HITCH, 1-7/8 DIA 2-1/8 5-PIN	1
16	003350	WASHER, LOCK 1"	1
17	147310	NUT, HEX 1-8	1
18	990960	BOLT, HHCS 3/4-10 x 4 1/2 GR5 ZN	1
19	036800	WASHER, LOCK 3/4 SAE	1
20	036750	NUT, HEX 3/4-10	1
21	042440	BOLT, LUG 9/16-18 x1-1/8 GR6 ZP	16
22	050230	TIRE, TUBELESS	1
23	042261	RIM, 11x16.1	1
24	1765302	CHAIN, SAFETY 5/16x5'	1
25	626050	JACK ASSY, SIDEWINDER	1

TANK ASSEMBLY



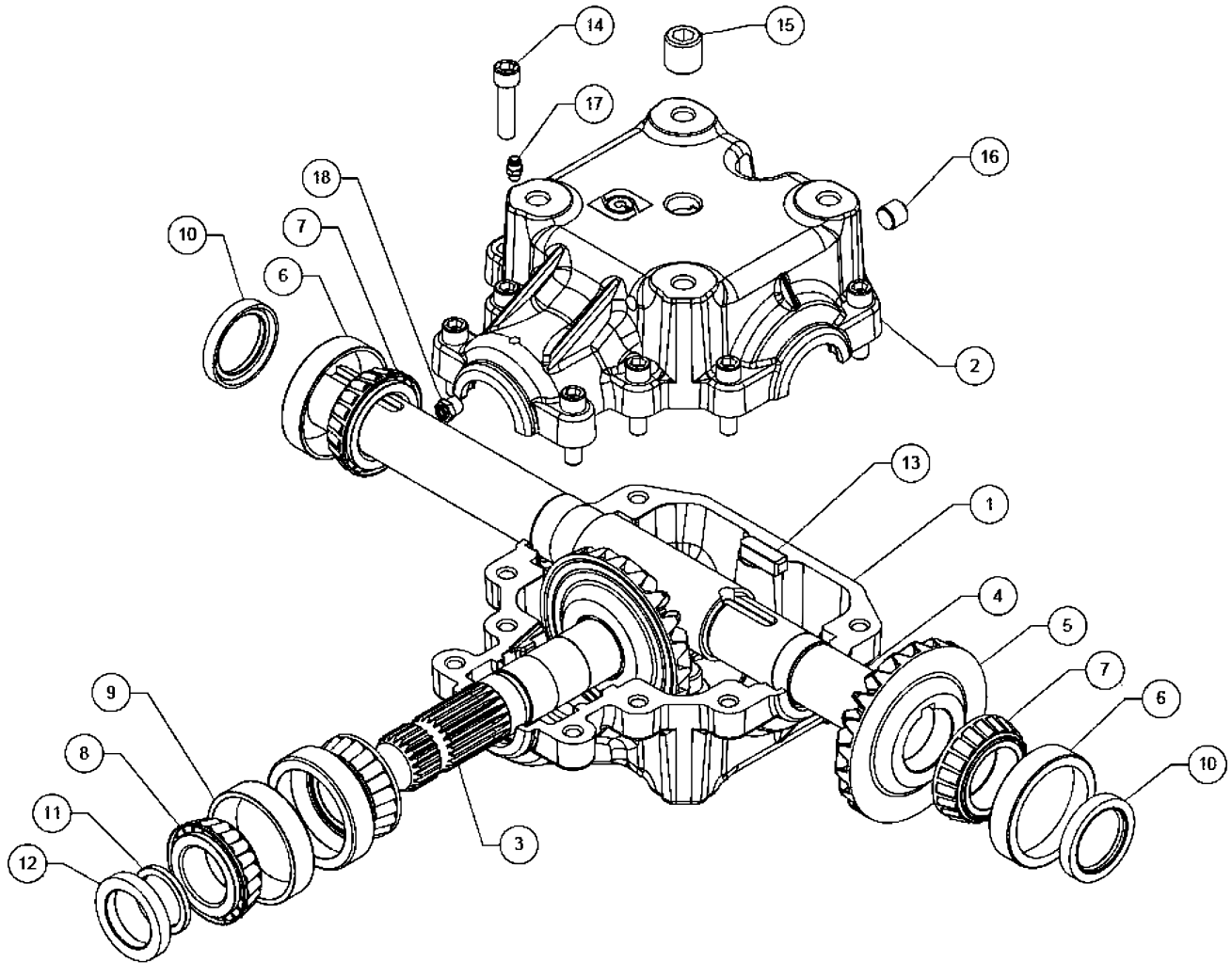
ITEM NO.	PART NUMBER	DESCRIPTION	QTY.
1	020190	Nut, Lock 5/16-18 Gr5 ZN Hex FLG	26
2	170530	BOLT, CRG 3/8-16 X 1"	9
3	021180	WASHER, LOCK 3/8	20
4	455160	CLAMP, HOSE	1
5	012140	BOLT, HEX, 5/16" X 3/4" Z5	6
6	023620	WASHER, LOCK 5/16 ZN 5	2
7	023630	NUT, HEX 5/16-18 GR5 ZN	2
8	458080	BRACKET, TUBE	1
9	449190	TUBE, MANUAL HOLDER	1
10	012020	RUBBER, WINDOW	5
11	012050	GLASS, 4.5 X 12.0	5
12	575940	CLIP, MIX TANK	10
13	MP16.10742	LIGHT, DUAL LAMP, AMBER/RED - LH	1
14	MP16.10743	LIGHT, DUAL LAMP, AMBER/RED - RH	1
15	012260	BOLT, HHCS 3/8-16 X 1	16
16	022920	WASHER, FLAT 5/16 STD	5
17	009800	HBOLT 0.3125-18x2.5x0.875-N	2
18	020180	NUT, LOCK 3/8-16 Gr5 ZN HEX FLG	8
19	025670	NUT, LOCK 5/16-18 HEX FLG	6
20	206070	BOLT, HHCS 1/4-20 x 1-1/4	8
21	037550	NUT, NYLOC 1/4-20	8
22	164020	SEAL, TANK LID	1
23	035661	LID & HINGE,	1
24	022930	BRACET, LID	2
25	590950	LADDER WLDT, 86"	1
26	590960	BRACKET, INNER	2
27	590970	BRACKET, OUTER	2
28	E276028	PIPE, CAP 1" STANDARD	1
29	J03H1558	BOLT, CRG 3/8-16 X 1-1/2	1
30	E096029	BOLT, CRG 1/4-20 x 3/4	4
31	023260	WASHER, FLAT 1/4 STD	4
32	029440	WASHER, LOCK 1/4 SAE	4
33	027660	NUT, HEX 1/4-20 GR5 ZN	4
34	JPT1296	BRACKET, STORAGE HOLDER 7 POLE	1
35	586360	HARNESS, WISHBONE 288"	1
36	611540	CHANNEL, SIDE	2
37	005370	WASHER, LOCK 1/2	1
38	005360	NUT, HEX 1/2-13	1
39	005390	BOLT, CRG 1/2-13 x 1 SSN GR5 ZN	1
40	043480	SADDLE, WELDMENT	1
41	013080	SPRING, COMP.	2

MIXING AUGER ASSEMBLY



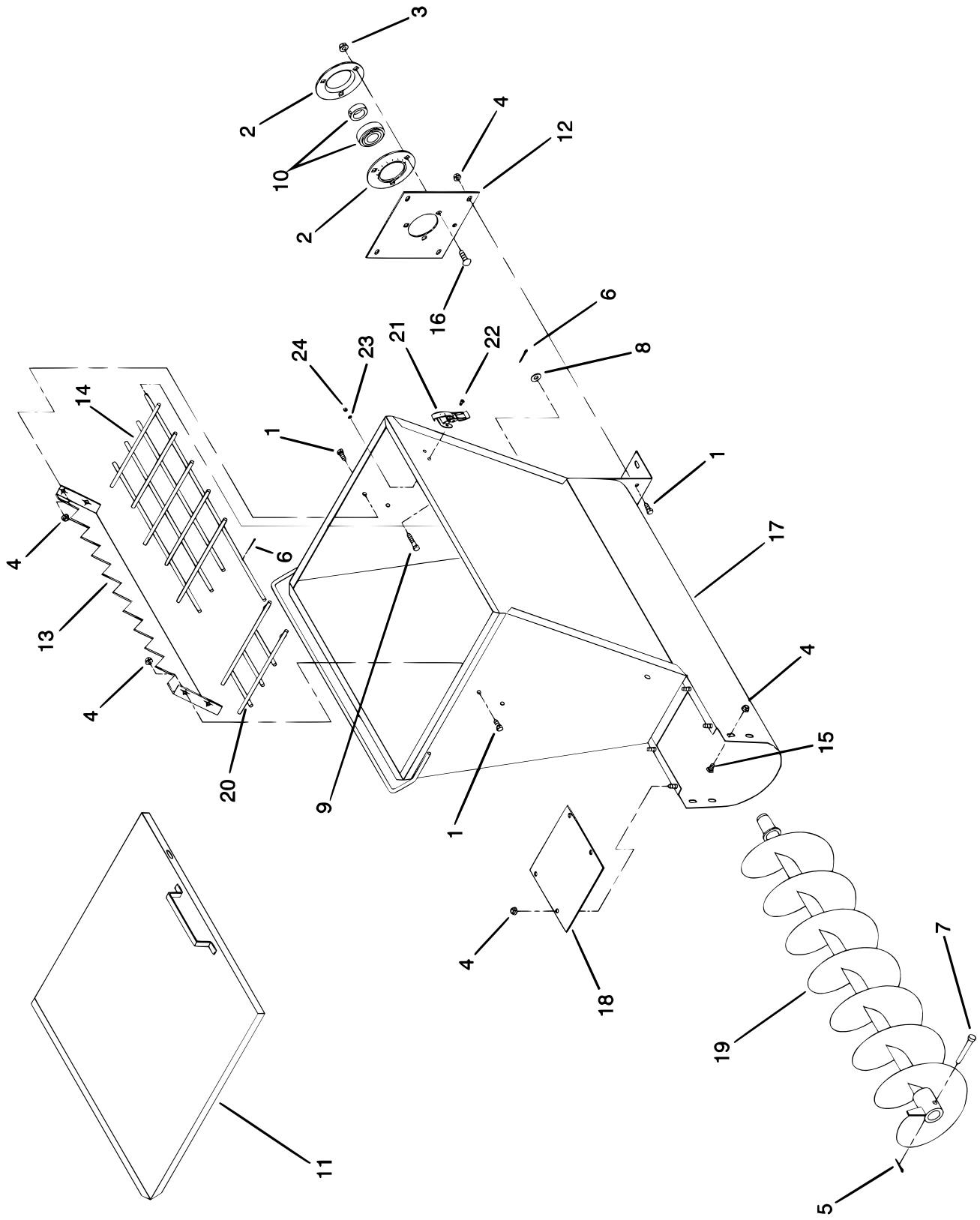
ITEM NO.	PART NUMBER	DESCRIPTION	QTY.
1	005200	WASHER, FLAT 1/2 STD	2
2	005360	NUT, HEX 1/2-13	14
3	005370	WASHER, LOCK 1/2	10
4	010730	BOLT, HHCS 1/2-13 X 1-1/4"	8
5	011370	HBOLT 0.3750-16x1.5x1.5-N	4
6	013960	PB BEARING, 1-5/8 W/LC	1
7	018680	SUPPORT, MAIN	2
8	020180	NUT, LOCK 3/8-16 Gr5 ZN HEX FLG	2
9	021180	WASHER, LOCK 3/8	10
10	021190	WASHER, FLAT 3/8 STD	6
11	027260	NUT, HEX 3/8-16 GR5 ZN	10
12	035180	BOLT, CRG 3/8-16 X 1-1/4"	8
13	126660	PADDLE, MIXING	1
16	516090	HANGER, BEARING	1
17	577790	GEARBOX, SUPERIOR	1
23	610720	AUGER ASSY,	1
24	610740	TUBE WLDT, MIXING	1
25	610770	THREADED ROD,	3
26	991200	RHSNBOLT 0.5-13x2x2-N	2

GEARBOX ASSEMBLY, MIXER



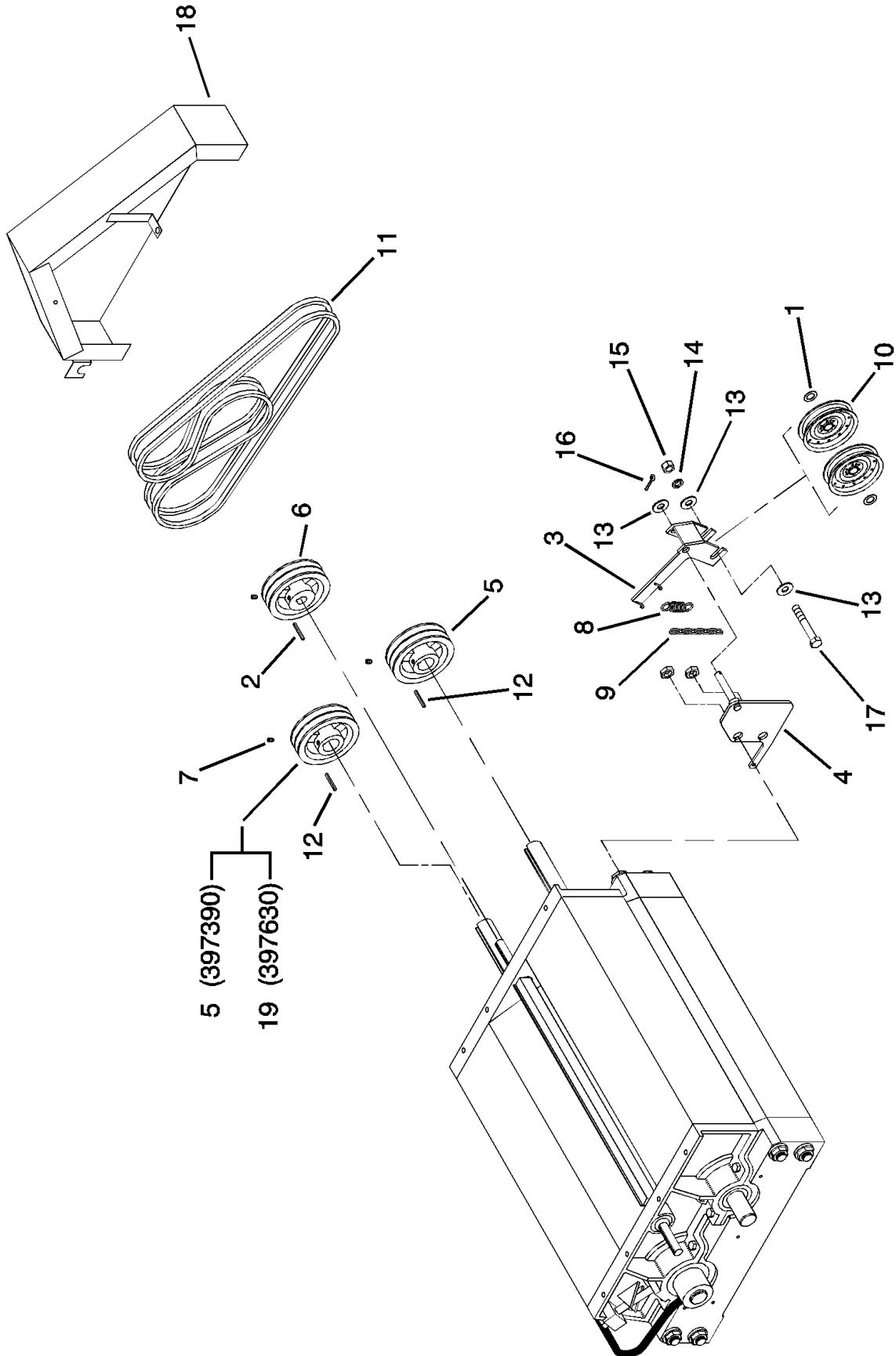
ITEM NO.	PART NUMBER	DESCRIPTION	QTY.
1	586180	GEARBOX, R500-003M-A0536 HOUSING 1/2	1
2	586190	GEARBOX, R500-004M-B0559 HOUSING 1/2	1
3	586200	GEARBOX, R500-8B00-K0280 SHAFT & GEAR	1
4	586210	GEARBOX, R500-1120-K0265 CROSS SHAFT	1
5	586220	GEAR, 1:1 1.50 KEY 51121	1
6	MP905502	BEARING CUP - 2.7170OD #13620	2
7	MP904026	BEARING CONE - 1.5000ID #13687	2
8	MP901102	BEARING CONE - 1.3750ID #14137A	2
9	MP901713	BEARING CUP - 2.7180OD #14276	2
10	586160	514846 SEAL, 1.500-2.00 .313	2
11	U50200005	RING, RETAINING	1
12	U51400006	SEAL, SHAFT TC - 1.375 X 2.00 X .313	1
13	586170	400201 KEY SQ, 3/8 X 1.20	1
14	-	SCREW - 3/8 X 1-1/2 SK THD	9
15	-	PLUG - PIPE 1/2-14 NPT SCHD	2
16	-	PLUG - DRAIN 1/4 NPT	1
17	I21987	ZERK, 1/4-28 TAPER DRIVE THREAD STRAIGHT	1
18	247820	PRESSURE RELIEF 2003PR	1
19	963130	OIL, 80/90 W GL-1 STRAIGHT GEAR OIL	1 GA.

SUPPLEMENT HOPPER ASSEMBLY



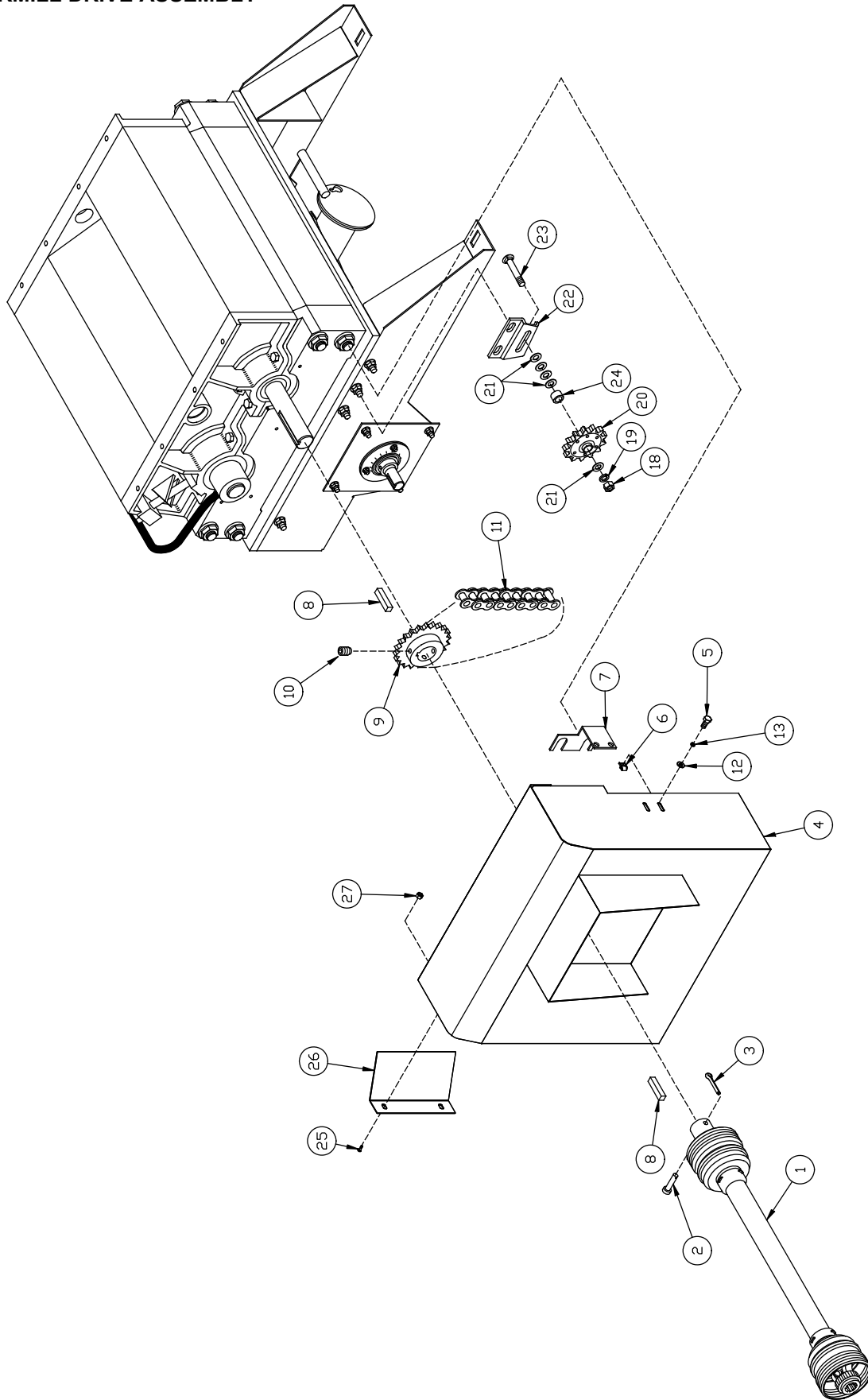
ITEM NO.	PART NUMBER	DESCRIPTION	QTY.
1	006880	BOLT, HHCS 5/16-18 X 0.62 GR5 ZN	6
2	019150	FLANGETTE, BRG 1.12 3 BOLT RD	2
3	020180	NUT, LOCK 3/8-16 HEX FLG GR5	3
4	020190	NUT, LOCK 5/16-18 HEX FLG G5	16
5	020700	PIN, COTTER 5/32 X 1.0 CHISEL	1
6	021210	PIN, COTTER 3/32 X 1.0 ZN	2
7	021430	PIN, CLEVIS 3/8 X 2.25 GR5 ZN	1
8	022920	WASHER, FLAT 0.375 X 0.875 X 0.083 ZN	1
9	025760	BOLT, HHCS 5/16-18 X 1.5 GR5 ZN	2
10	108850	BEARING, 1.12 SOD SPRING LOCK	1
11	126540	LID WLDT., SUPPLEMENT HOPPER	1
12	128040	PLATE, HOLE COVER	1
13	470950	CUTTER, SACK	1
14	560700	GRATE, SUPPLEMENT HOPPER	1
15	169340	BOLT, CRG 5/16-18 X 0.50 SSN GR2	4
16	170530	BOLT, CRG 3/8-16 X 1.0 SSN GR5	3
17	470960	HOPPER WLDT., SUPPLEMENT	1
18	365140	COVER, SUPPLEMENT HOPPER	1
19	365150	AUGER WLDT., CONCENTRAT TANK	1
20	560710	GRATE, ANGLED HOPPER	1
21	1669184R1	CLAMP, SHIELD LATCH	1
22	1159920	SCREW, PHMS 10-24 X 1/2	2
23	120600	WASHER, LOCK #10	2
24	120590	NUT, HEX 10-24	2

ROLLERMILL BELT DRIVE ASSEMBLY



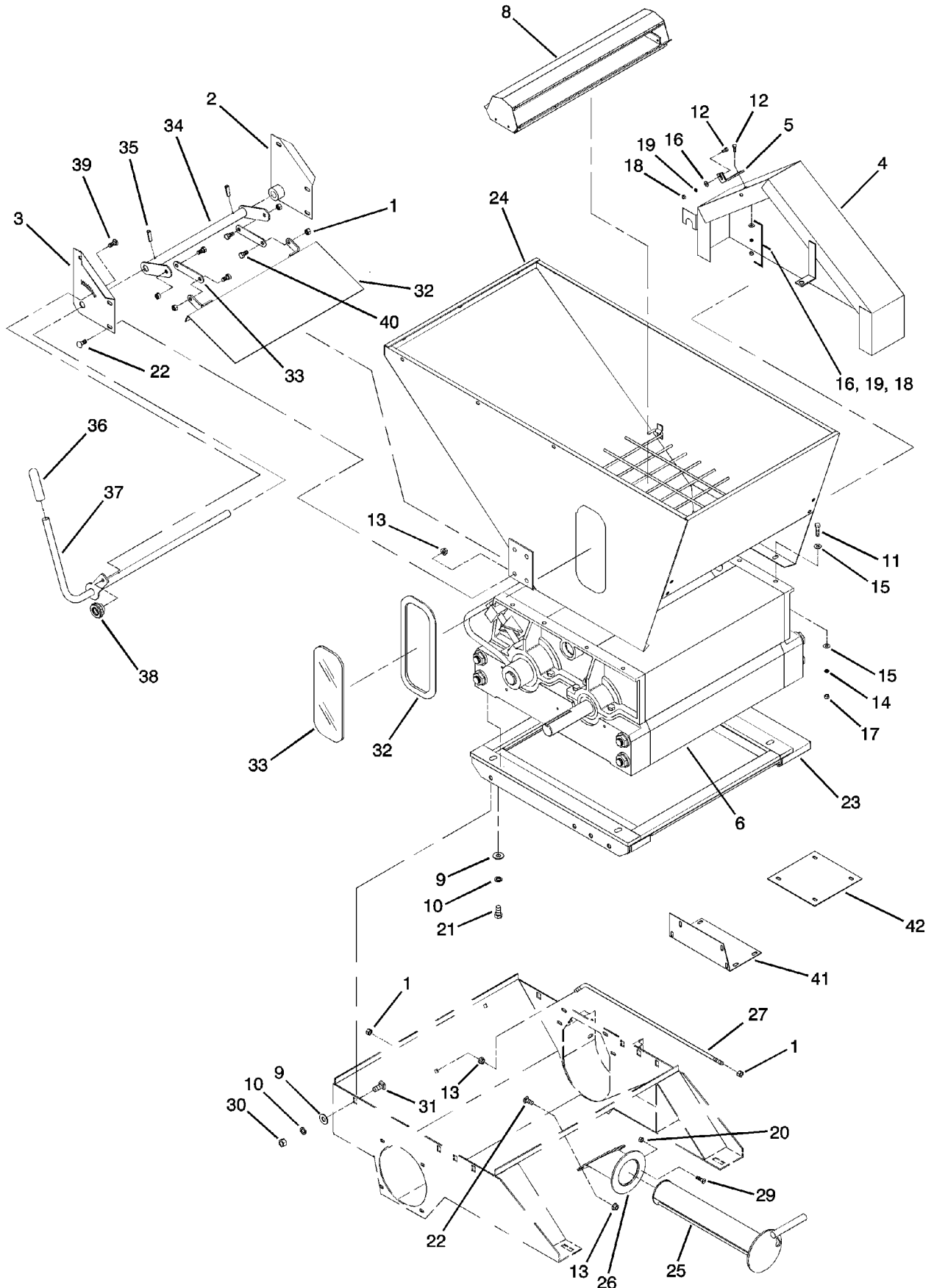
ITEM NO.	PART NUMBER	DESCRIPTION	397390 QTY.	397630 QTY.
	397390	1:1 STANDARD DRIVE	RF	
	397630	1:1.12 DIFFERENTIAL DRIVE		RF
1	E126120	BUSHING, MACH 0.75 X 1.25 X 18 GA	3	3
2	P10027	KEY SQ. 0.19 X 2.0	1	1
3	P10481	BRACKET WLDT., TIGHTENER	1	1
4	P10486	PIVOT WLDT., TIGHTENER	1	1
5	P20220	PULLEY, ROLL DRIVE	2	1
6	P20320	PULLEY, AGITATOR	1	1
7	P98298	SCREW, AHSS 3/8-16 X 0.50	5	5
8	P98375	SPRING, EXTENSION	1	1
9	P98522	CHAIN, #1 X 8.0 LINKS STRGHT. CL.	1	1
10	P99025	PULLEY, IDLER 0.634B 4.37 OD	2	2
11	P99712	BELT, ROLL DRIVE BB-81	2	2
12	014630	KEY SQ. 0.25 X 2.0	2	2
13	020430	WASHER, FLAT 0.688 X 1.75 X 0.134 ZN	7	7
14	020440	WASHER, LOCK 5/8 INCH ZN	1	1
15	020450	NUT, HEX 5/8-11 GR2 ZN	1	1
16	035850	PIN, COTTER 5/21 X 1.25 ZN	1	1
17	990670	BOLT, HHCS 5/8-11 X 3.75 GR5 ZN	1	1
18	P10730	BELT GUARD, ROLLER MILL	1	1
19	P30881	PULLEY, ROLL SPD. DIFF.	N/A	1

ROLLERMILL DRIVE ASSEMBLY



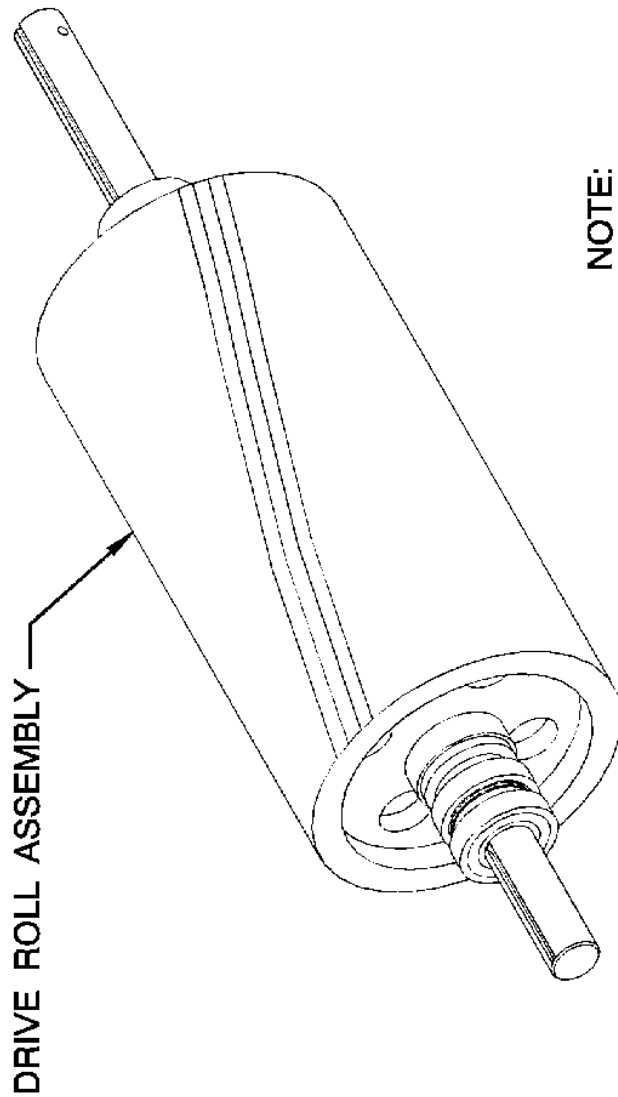
ITEM NO.	PART NUMBER	DESCRIPTION	QTY.
1	374140	PTO ASS'Y, 1-3/8X1-3/8	1
2	036480	PIN, CLEVIS 5/16 X 3	1
3	034360	PIN, COTTER 1/8 X 1	1
4	483380	SHIELD WELDMENT	1
5	042960	BOLT, HHCS 1/4-20 X 1	4
6	I1404766R1	NUT, TINNERMAN J 1/4-20	4
7	379380	BRACKET, SHIELD MOUNTING	2
8	014630	KEY, SQUARE 1/4 X 2	2
9	471840	SPROCKET, 80B20 40MM	1
10	010990	SETSCREW, (INC. IN #9)	
11	471830	CHAIN, RC80 64 PITCH	1
12	023260	WASHER, FLAT 1/4 STD	4
13	029440	WASHER, LOCK 1/4 SAE	4
18	005360	NUT, HEX 1/2-13	1
19	005370	WASHER, LOCK 1/2	1
20	E366007	SPROCKET, IDLER 80-12T	1
21	005200	WASHER, FLAT 1/2	5
22	362570	BRACKET, IDLER	1
23	J03H1593	BOLT, CRG 1/2-13 X 2-1/2	1
24	575120	SPACER, .75 X .51 X .47	1
25	I14994R1	BOLT, CRG 5/16-18 X 3/4	2
26	494040	SHIELD, FILLER	1
27	020190	NUT, HEX HD 5/16-18	2

ROLLERMILL WITH OFFSET HOPPER ASSEMBLY



ITEM NO.	PART NUMBER	DESCRIPTION	QTY.
	370030	20 INCH ROLLERMILL WITH OFFSET HOPPER	RF
1	E552044	NUT, LOCK 3/8-16 HEX TOP GA, ZN	2
2	P10148	SCREW WLDT., SET	2
3	P10284	TUBE WLDT., HANDLE	1
4	P10730	GUARD WLDT., BELT	1
5	P10735	BRACKET, BELT GUARD	1
6	P20000	MILL, BASIC 20 INCH ROLLER	1
7	P20286	GATE WLDT., GRAIN	1
8	P82700	MAGNET ASSEMBLY, 20 INCH	1
9	005200	WASHER, FLAT 0.562 X 1.38 X 0.109 ZN	12
10	005370	WASHER, LOCK 1/2 INCH ZN	12
11	006690	BOLT, HHCS 3/8-16 X 1.25 GR5 ZN	4
12	012051	BOLT, HHCS 1/4-20 X 0.75 GR5 ZN	2
13	020180	NUT, LOCK 3/8-16 FLG. HEX GR5	5
14	021180	WASHER, LOCK 3/8 INCH	4
15	021190	WASHER, FLAT 0.438 X 1.0 X 0.083	4
16	023260	WASHER, FLAT 0.31 X 0.75 X 16 GA. ZN	2
17	027260	NUT, HEX 3/8-16 GR5 ZN	4
18	027660	NUT, HEX 1/4-20 GR5 ZN	2
19	029440	WASHER, LOCK 1/4 INCH	2
20	023630	NUT, HEX 5/16-18 GR5 ZN	1
21	031080	BOLT, HHCS 1/2-13 X 1.0 GR5 ZN	4
22	032840	BOLT, CRG. 3/8-16 X 0.75 GR5 ZN	4
23	365560	PLATE WLDT., ADAPTER	1
24	371420	HOPPER WLDT., OFFSET 20 INCH	1
25	376630	TROUGH WLDT., SAMPLE	1
26	376830	TUBE WLDT., LOWER PAN	1
27	376870	ROD	1
29	144510	SCREW, RHS 5/16-18 X 0.75	1
30	005360	NUT, HEX 1/2-13 GR5 ZN	8
31	005390	BOLT, CRG. 1/2-13 X 1.0 GR5 ZN	8
32	393670	GATE WLDT., 20 INCH ROLLERMILL	1
33	386240	LINK, LOWER	2
34	386260	TUBE WLDT., LINK	1
35	012560	PIN, EXPANSION 3/16 X 1.0 ZN	2
36	150940	GRIP, ROUND HANDLE	1
37	393680	LEVER WLDT., 20 INCH LIFT	1
38	386130	KNOB, FLUTED 5/16-18	1
39	035520	BOLT, CRG. 5/16-18 X 1-1/4 SSN	1
40	022420	BOLT, HHCS 3/8-16 X 3/4	4
41	365950	CAP, ANGLE	1
42	365900	PLATE, CAP	1

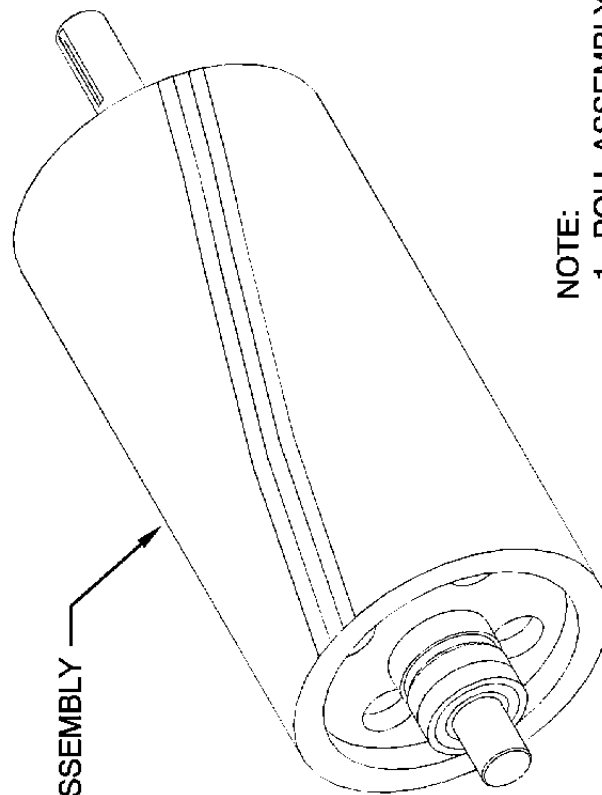
DRIVE ROLL ASSEMBLY



NOTE:
1. ROLL ASSEMBLY INCLUDES SHAFT & BEARINGS.

ITEM NO.	NEW PART NUMBER	REGROOVED PART NUMBER	DESCRIPTION
	382220	382221	ROLL ASSEMBLY, 5-GROOVE FLAT
	396900	396901	ROLL ASSEMBLY, 5-GROOVE SHARP
	382230	382231	ROLL ASSEMBLY, 7-GROOVE FLAT
	396920	396921	ROLL ASSEMBLY, 7-GROOVE SHARP
	382240	382241	ROLL ASSEMBLY, 10-GROOVE FLAT
	388450	388451	ROLL ASSEMBLY, 10-GROOVE SHARP
	388470	388471	ROLL ASSEMBLY, 12-GROOVE SHARP

IDLER (ECCENTRIC) ROLL ASSEMBLY



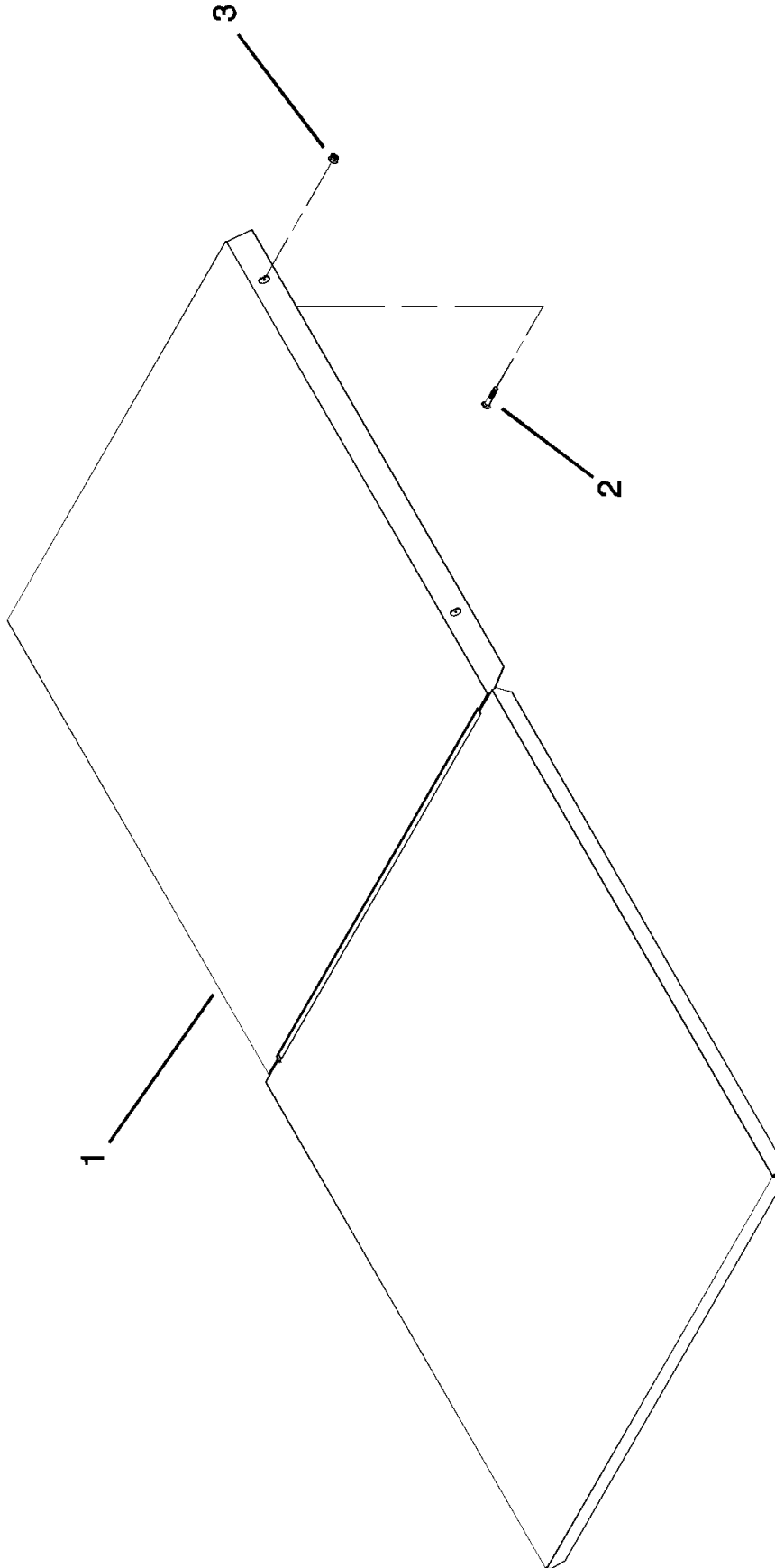
IDLER (ECCENTRIC) ROLL ASSEMBLY →

NOTE:

- 1. ROLL ASSEMBLY INCLUDES SHAFT & BEARINGS.

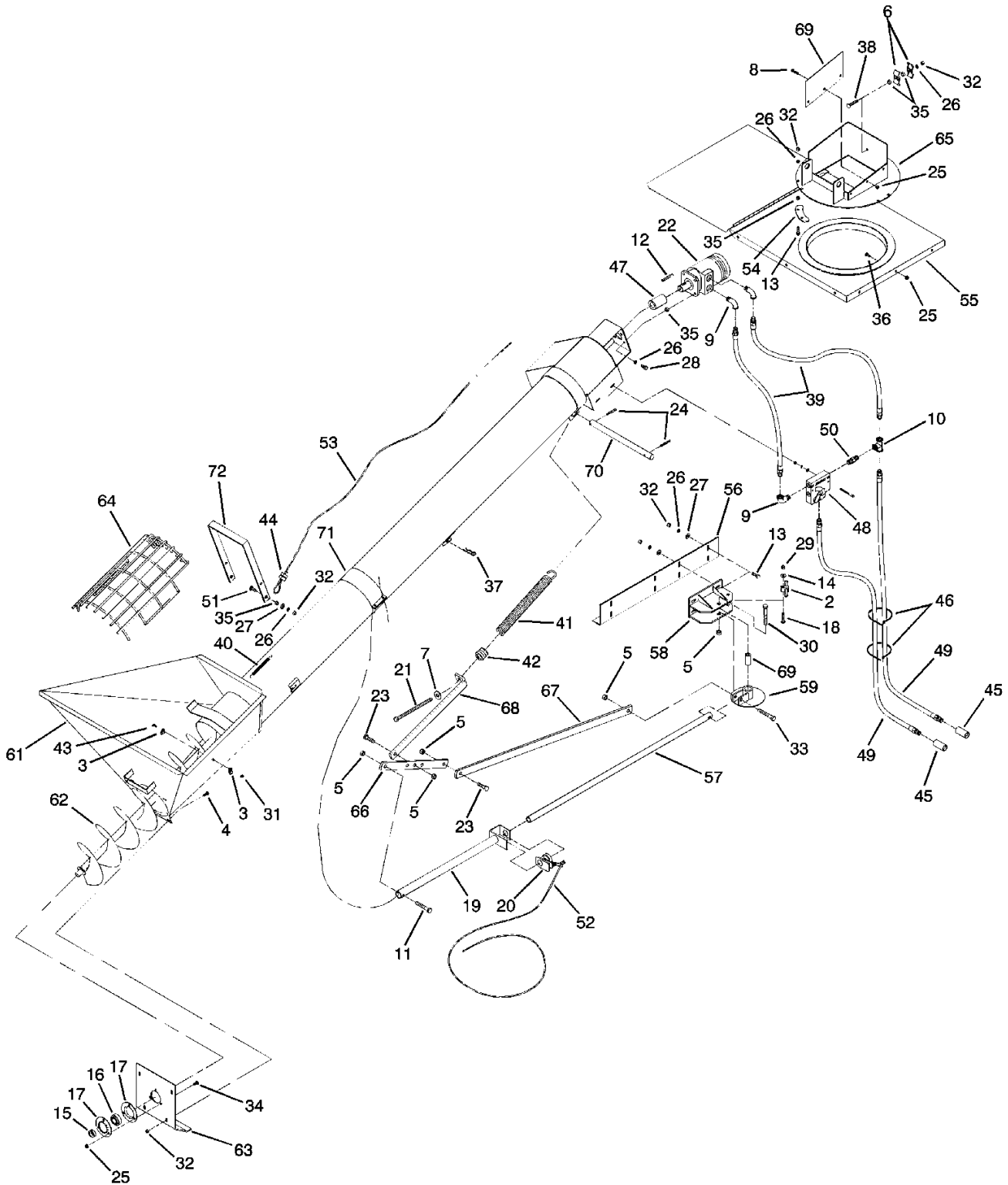
ITEM NO.	NEW PART NUMBER	REGROOVED PART NUMBER	DESCRIPTION
	382250	382251	ROLL ASSEMBLY, 5-GROOVE FLAT
	396910	396911	ROLL ASSEMBLY, 5-GROOVE SHARP
	382260	382261	ROLL ASSEMBLY, 7-GROOVE FLAT
	396930	396931	ROLL ASSEMBLY, 7-GROOVE SHARP
	382270	382271	ROLL ASSEMBLY, 10-GROOVE FLAT
	388480	388481	ROLL ASSEMBLY, 10-GROOVE SHARP
	388500	388501	ROLL ASSEMBLY, 12-GROOVE SHARP

COVER FOR OFFSET HOPPER WITHOUT AUGER FEEDER ASSEMBLY



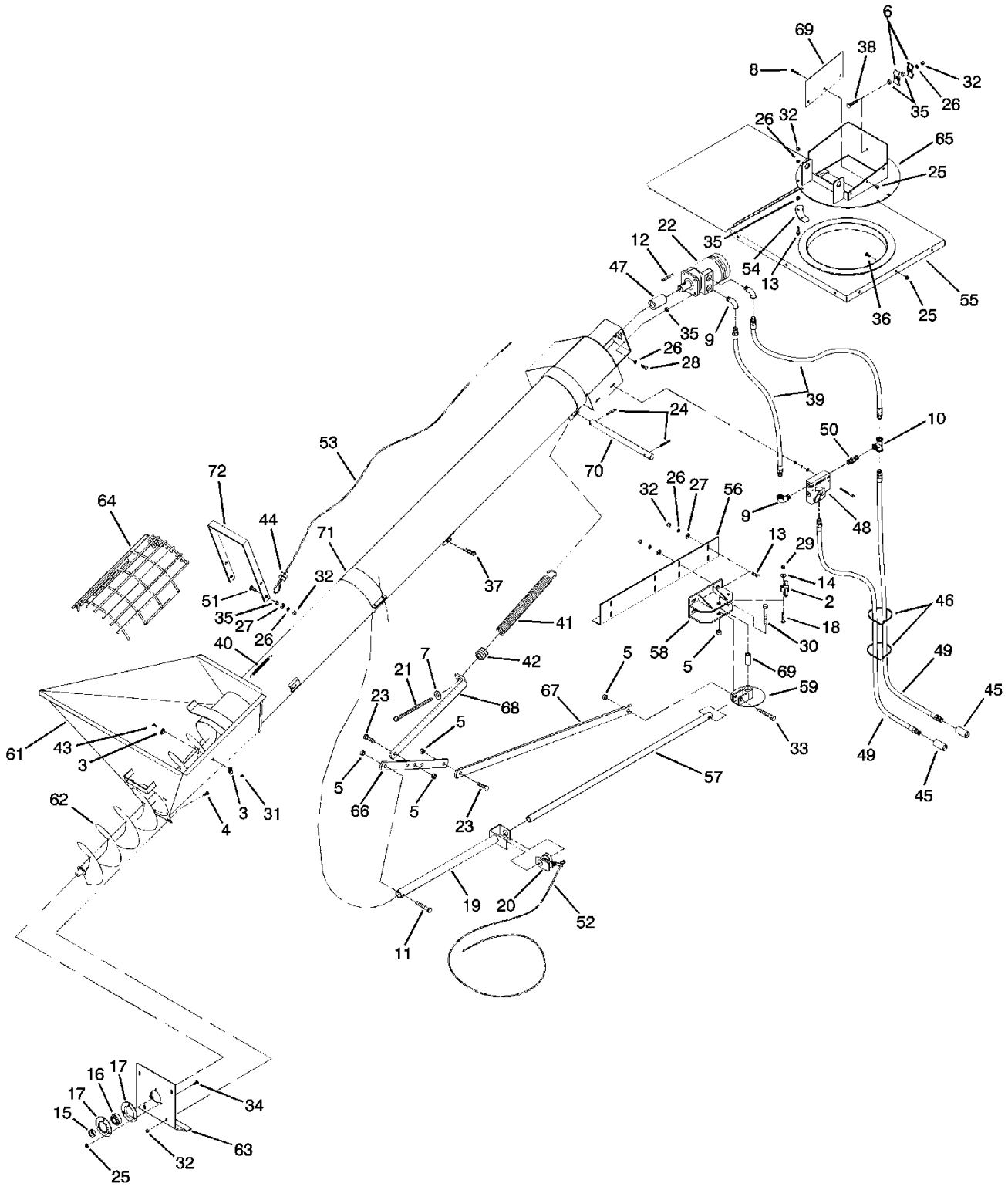
ITEM NO.	PART NUMBER	DESCRIPTION	QTY.
1	463220	COVER WLDT., W/O AUGER FEEDER	1
2	035290	BOLT, CRG. 5/16-18 X 0.62 GR2	4
3	020190	NUT, LOCK 5/16-18 HEX FLG.	4

AUGER FEEDER ROLLERMILL ASSEMBLY



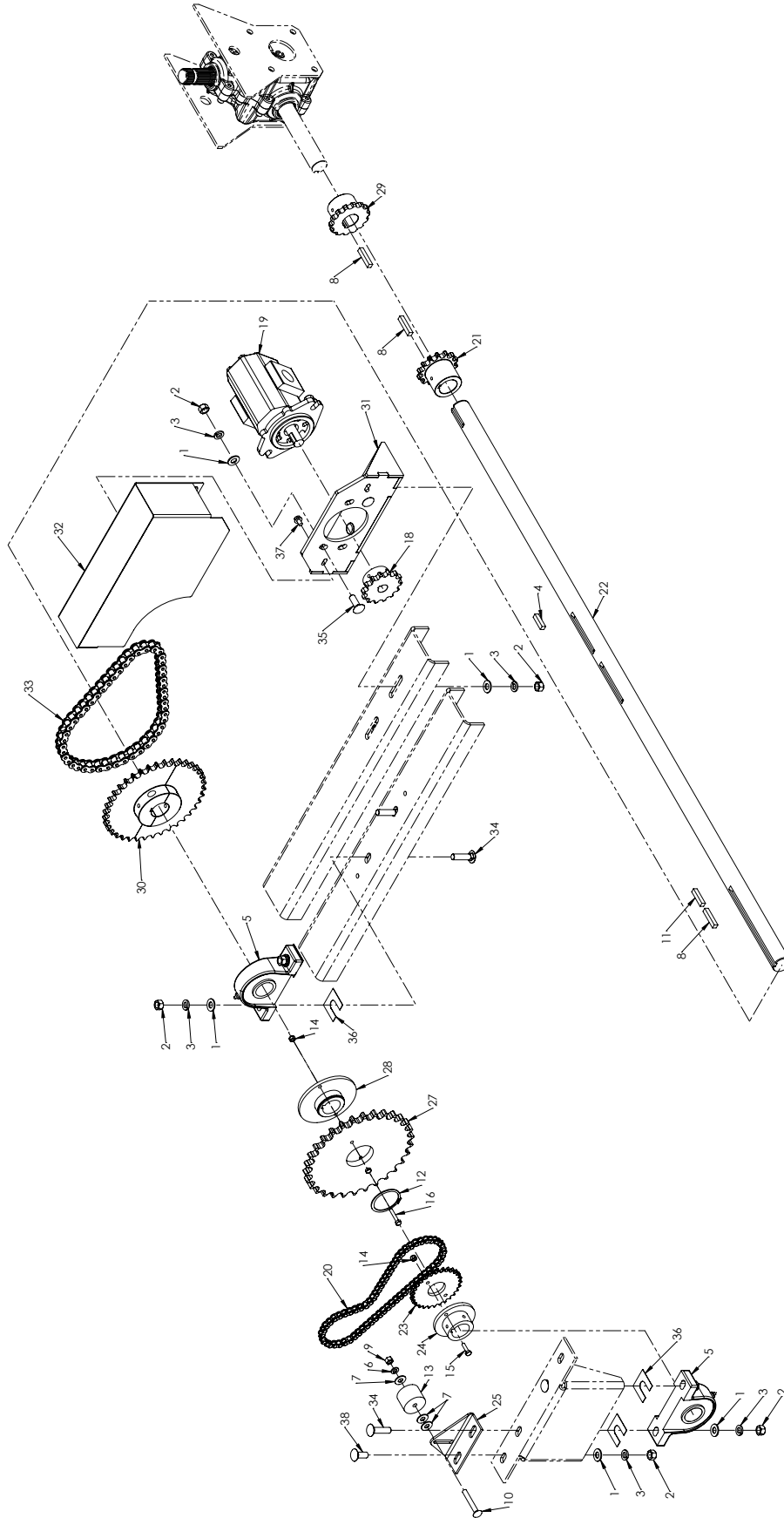
ITEM NO.	PART NUMBER	DESCRIPTION	QTY.
1	025670	NUT, LOCK 5/16-18	2
2	160560	HANDLE ASSY, BRAKE	1
3	E180006	CLIP, WIRE	3
4	I14994R1	BOLT, CRG. 5/16-18 X 0.75 SQNK. GR2	4
5	I9413967	NUT, HEX LK. 1/2-13 GR5 CP	6
6	JN185041	CLAMP, HOSE – SHORT	2
7	005200	WASHER, FLAT 0.562 X 1.38 X 0.109 ZN	1
8	005900	BOLT, HHCS 5/16-18 X 1.0 GR5 ZN	3
9	006240	ELBOW, 1/2 X 90 DEGREE STREET	3
10	006320	TEE, 1/2 INCH PIPE ZN	1
11	007080	BOLT, HHCS 1/2-13 X 2.5 GR5 ZN	1
12	011530	KEY, SQ. 1/4 X 1.25	1
13	012260	BOLT, HHCS 3/8-16 X 1.0 GR5 ZN	15
14	012270	WASHER, 0.406 X 1.75 X 0.14 PLN	1
15	012300	COLLAR, 1.0 ECC. LOCK	1
16	012310	BEARING, 1.0 ADAPTER, SOD	1
17	012330	FLANGETTE, 7/8 X 1.0 BRG., 3-BOLT RND	2
18	012420	BOLT, CRG. 3/8-16 X 1.5 GR2 ZN	1
19	014130	SUPPORT, PIPE JACK TOP	1
20	014140	CLAMP, DRAG FEED ONL	1
21	384270	BOLT, HHCS 1/2-13 X 7.0 FULTHD.	1
22	014280	MOTOR HYD., 12 CU. IN. DISPL.	1
23	014770	BOLT, HHCS 1/2-13 X 1.5 GR5 ZN	2
24	018920	PIN, ROLL 1/4 X 1.75 ZN	2
25	020190	NUT, LOCK 5/16-18 HEX FLG.	16
26	021180	WASHER, LOCK 3/8 INCH	20
27	021190	WASHER, FLAT 0.438 X 1.0 X 0.083	12
28	022420	BOLT, HHCS 3/8-16 X 0.75 GR5 ZN	4
29	023060	NUT, LOCK 3/8-16 DISTHRD.	9
30	990840	BOLT, HHCS 1/2-13 X 3.0 GR5 ZN	1
31	023270	NUT, HEX FLG. LK., 1/4 INCH	2
32	027260	NUT, HEX 3/8-16 GR5 ZN	11
33	031580	BOLT, HHCS 1/2-13 X 2.75 GR5 ZN	1
34	032970	BOLT, CRG. 5/16-18 X 1.0 GR2 ZN	3
35	033460	SPACER, 0.375 ID X 0.281 LG	12
36	035290	BOLT, CRG. 5/16-18 X 0.62 GR2 ZN	9

AUGER FEEDER ROLLERMILL ASSEMBLY (CONTINUED)



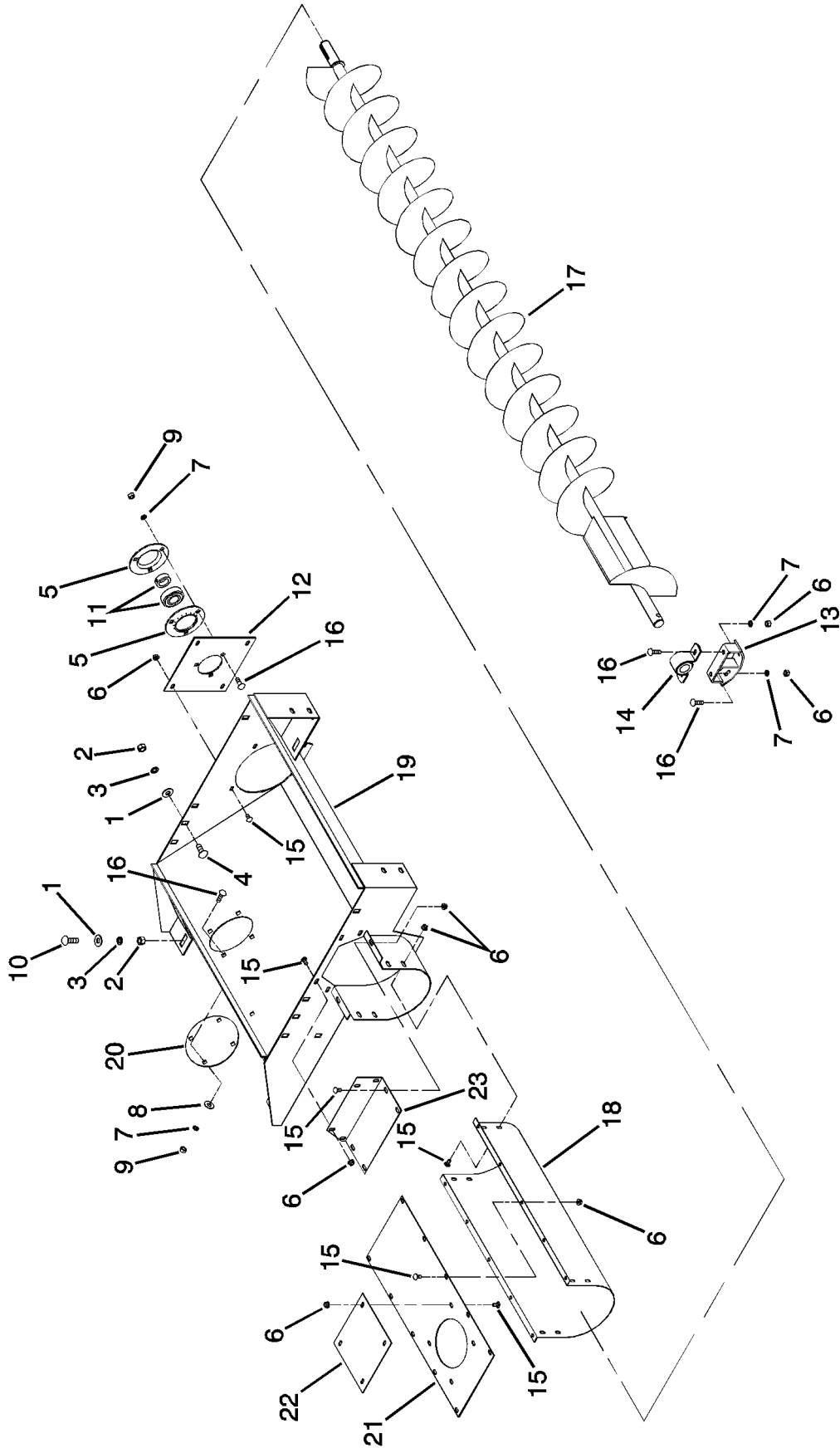
ITEM NO.	PART NUMBER	DESCRIPTION	QTY.
37	035830	PIN, HAIR COTTER 3/16 X 3.0	1
38	041450	BOLT, CRG 3/8-16 X 2.0 GR5 ZN	1
39	046640	HOSE, SINGLE BRAID 1/2 INCH HYD.	2
40	100750	SPRING, EXT. 0.438 OD X 5.75 LG	1
41	113470	SPRING, 2 INCH DIA. X 14 INCH LG.	1
42	113490	NUT, SPRING RETAINING	1
43	E096029	BOLT, CRG. 1/4-20 X 3/4 ZN	2
44	129260	CABLE CLIP, 1/8 CABLE	2
45	133460	ADAPTER, CPLR FM. 1/2-14 NPTF	2
46	149670	TIE, NYLON CABLE	6
47	160140	COLLAR, SHAFT, ROLL FEED	1
48	161510	VALVE ASSY, HYD. FLOW CONTROL	1
49	164560	HOSE ASSY, 1/2 X 120 INCH HYDRAULIC	2
50	166250	FIT, HYD. NIPPLE 1/2 NPT HEX	1
51	170530	BOLT, CRG. 3/8-16 X 1.0 GR5 ZN	10
52	211490	ROPE, POLYPROPYLENE 102 INCH LG	1
53	214020	ROPE, WIRE ASSY, 124 INCH, MECH. AF.	1
54	349470	PLATE, CLAMP	3
55A	365680	COVER WLDT., HOPPER 20 INCH	1
56	371050	ANGLE, MOUNT	1
57	371060	PIPE, LOWER	1
58	587590	SUPPORT WLDT.	1
59	587610	PIVOT WLDT.	1
60	371130	BUSHING, 1.0 OD. X 0.561 ID X 1.9	1
61	371220	HOUSING WLDT., AUGER FEEDER	1
62	371260	AUGER WLDT., GRAIN	1
63	371320	PANEL, HOPPER BEARING	1
64	372240	GUARD WLDT.	1
65	372910	CAP WLDT., HOPPER	1
66	372970	STRAP, SPRING ADJUSTMENT	1
67	372980	STRAP, LOWER	1
68	372990	STRAP, SPRING EXTENSION	1
69	373000	FLAP, RUBBER GRAIN	1
70	373010	ROD, AUGER PIVOT	1
71	374100	BAND WLDT., CLAMP	1
72	380270	BAR, DECLUTCHER	1

DRIVE & GEARBOX ASSEMBLY, LOWER



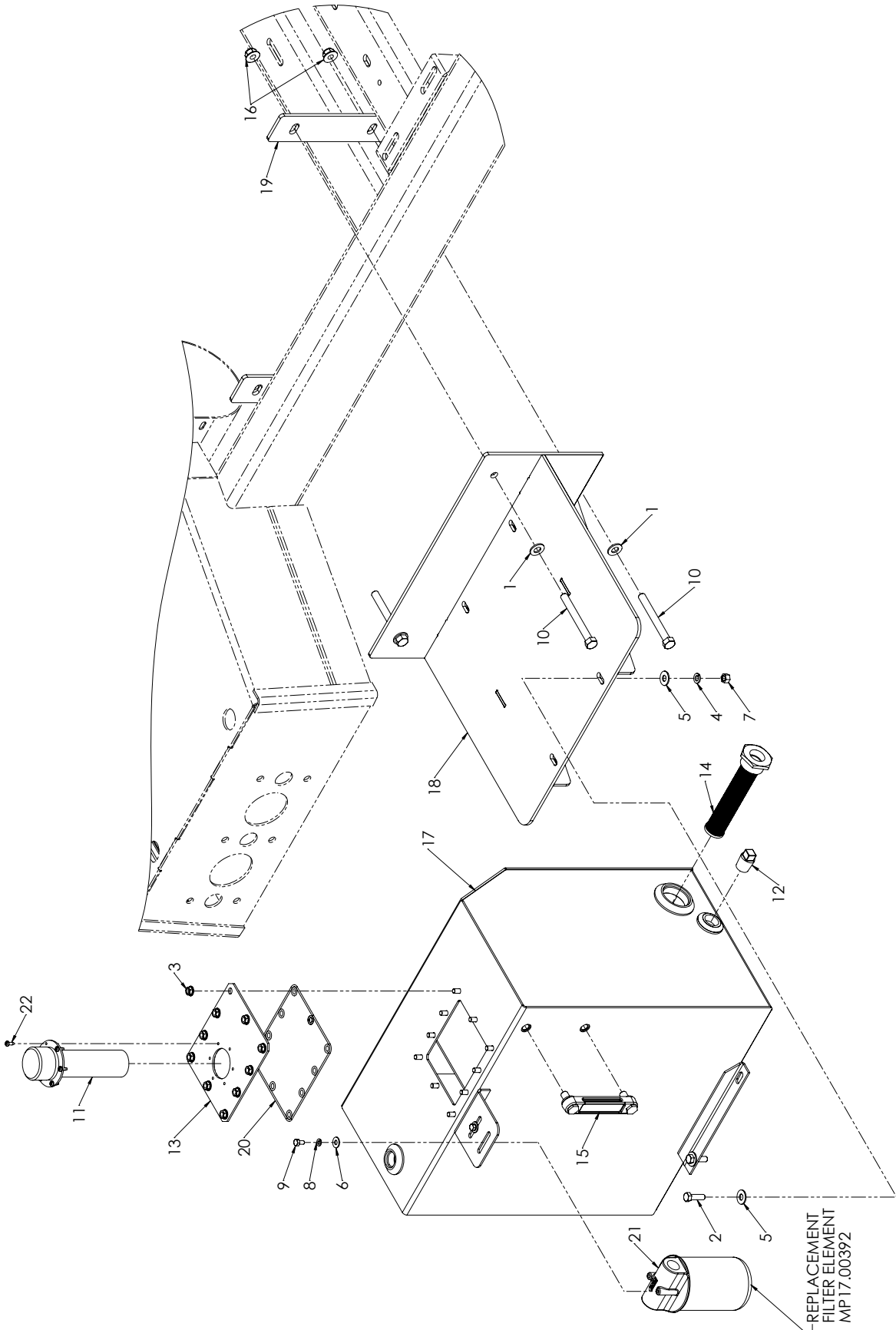
ITEM NO.	PART NUMBER	DESCRIPTION	QTY.
1	005200	WASHER, FLAT 1/2 STD	35
2	005360	NUT, HEX 1/2-13	27
3	005370	WASHER, LOCK 1/2	24
4	006670	KEY, SQUARE 3/8 X 1-1/2	1
5	013960	PB BEARING, 1-5/8 W/LC	2
6	021180	WASHER, LOCK 3/8	43
7	021190	WASHER, FLAT 3/8 STD	17
8	021530	KEY, SQUARE 3/8 X 2	5
9	027260	NUT, HEX 3/8-16 GR5	27
10	035540	BOLT, CRG, 3/8-16 X 2.750 GR5 ZN	1
11	039950	KEY, SQUARE 3/8 X 1-3/4	1
12	040290	RING, RETAINING	2
13	041440	TIGHTENER, CHAIN	1
14	042370	NYLON INSERT LOCKNUT, 1/4-20	6
15	042960	HBOLT 0.2500-20X1X1-N	2
16	047000	BOLT, HHCS 1/4-20 X 1-1/2	4
17	163770	CHAIN, COUPLER RC60-2	1
18	271180	SPROCKET, 60B14H	1
19	274380	PUMP, HYD GEAR 3.9 CID	1
20	384570	CHAIN, ROLLER RC40	2
21	461150	SPROCKET, 60B14 COUPLER	1
22	461870	SHAFT, MIXER DRIVE	1
23	461880	SPROCKET, 40A28	1
24	461890	HUB WLDT, SHEAR	1
25	463690	BRACKET, IDLER	1
26	469730	SPROCKET, 80A30	1
27	469740	SPROCKET, 80A30	1
28	469751	HUB, SHEAR 1.625ID	1
29	529110	SPROCKET, 60B14 1.44 ID, .38KW & SS	1
30	590670	SPROCKET, SPLIT 60B38	1
31	610810	PUMP MOUNT,	1
32	611730	SHIELD WLDT, PUMP	1
33	611830	ROLLER,CHAIN RC60H	1
34	991200	BOLT, CRG 1/2-13 X 2	4
35	E096046	BOLT, CRG 1/2-13 X 1-1/2	6
36	I486454R1	SHIM, .030 BLADE	4
37	JN71292	SCREW, FLG 5/16-18 X 1/2	2
38	V061805	RHSNBOLT 0.5-13X2.25X2.25-N	1

MILL TO MIXER AUGER ASSEMBLY



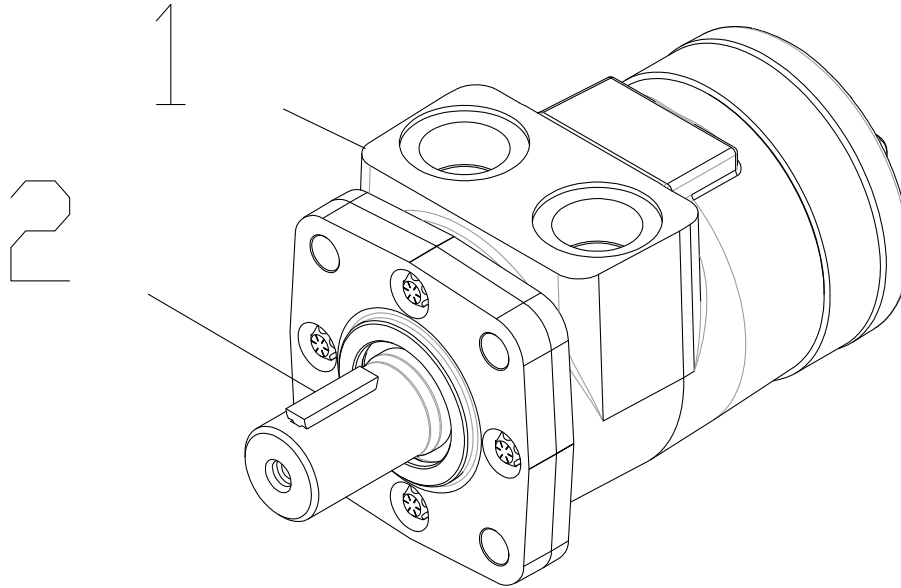
ITEM NO.	PART NUMBER	DESCRIPTION	QTY.
1	005200	WASHER, FLAT 0.562 X 1.38 X 0.109 ZN	14
2	005360	NUT, HEX 1/2-13 GR5 ZN	14
3	005370	WASHER, LOCK 1/2 INCH ZN	14
4	005390	BOLT, CRG. 1/2-13 X 1.0 SSN GR5 ZN	10
5	019150	FLANGE, 1.12 BRG 3-BOLT ROUND	2
6	020190	NUT, HEX FLG. LK 5/16-18	28
7	021180	WASHER, LOCK 3/8 INCH	11
8	021190	WASHER, FLAT 0.438 X 1.0 X 0.083 ZN	4
9	027260	NUT, HEX 3/8-16 GR5 ZN	11
10	030470	BOLT, CRG. 1/2-13 X 1.25 SSN GR5 ZN	4
11	108850	BEARING, 1.12 SOD SPRING LOCK	1
12	128040	PLATE, HOLE COVER	1
13	165020	BRACKET WLDT., BEARING HOLDER	1
14	165030	BEARING, 1.12 SPLIT WOOD PB	1
15	169340	BOLT, CRG. 5/16-18 X 0.50 SSN GR2 ZN	28
16	170530	BOLT, CRG. 3/8-16 X 1.0 SSN GR5 ZN	11
17	363750	AUGER WLDT., MILL TO MIXER	1
18	364250	TROUGH, LOWER PAN TO TANK	1
19	365330	PAN WLDT., LOWER	1
20	365390	COVER, LOWER PAN	1
21	365880	CAP, TROUGH	1
22	365900	PLATE, CAP	1
23	365950	CAP, ANGLE	1
24	961990	CAULKING, TUBE MAGIC SEAL CLEAR	AR

HYDRAULIC TANK ASSEMBLY



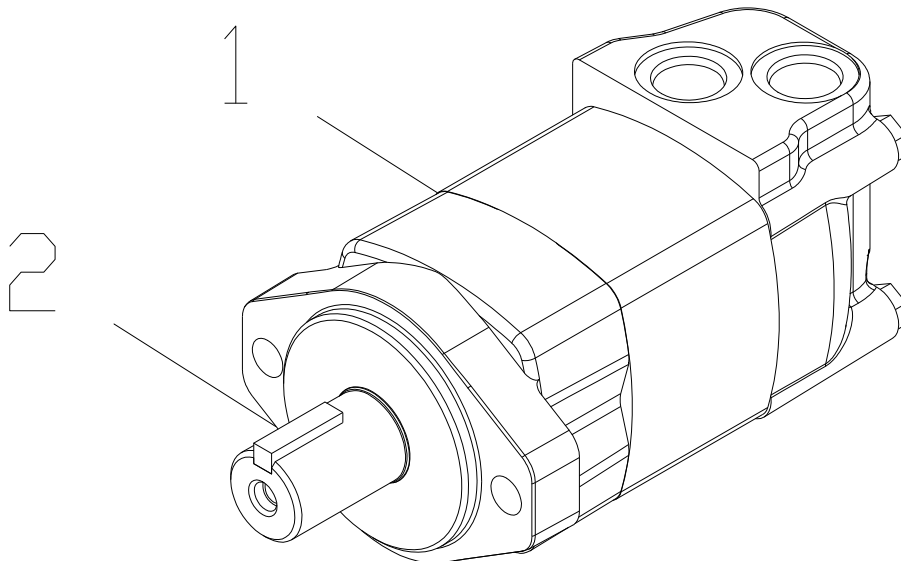
ITEM NO.	PART NUMBER	DESCRIPTION	QTY.
1	005200	WASHER, FLAT 1/2 STD	4
2	006690	BOLT, HHCS 3/8-16x1-1/4 GR5 ZN	4
3	020190	Nut, Lock 5/16-18 Gr5 ZN Hex FLG	10
4	021180	WASHER, LOCK 3/8	4
5	021190	WASHER, FLAT 3/8 STD	8
6	023260	WASHER, FLAT 1/4 STD	2
7	027260	NUT, HEX 3/8-16 GR5 ZN	4
8	029440	WASHER, LOCK 1/4 SAE	2
9	029450	BOLT, HHCS 1/4-20 x 1/2	2
10	030420	HBOLT 1/2-13 x 4-1/2" GR5 ZN	4
11	165880	FILLER-BREATHER,	1
12	165960	PLUG, MAGNETIC	1
13	166400	COVER, HYD. TANK	1
14	585450	STRAINER, TANK MOUNT	1
15	596790	GAUGE, SIGHT/TEMP	1
16	600140	NUT, HFH NYLOC 1/2-13	4
17	611550	TANK WLDT,	1
18	611580	MOUNT WELDMENT,	1
19	611620	PLATE, MOUNTING	2
20	961960	PERMATIX, 13 OZ.	1
21	MP17.00391	FILTER ASSEMBLY	1
22	P98341	Screw, PHTS 10-24x1/2 Cross Recess ZN	6

AUGER FEEDER & SWING HYDRAULIC MOTOR KITS



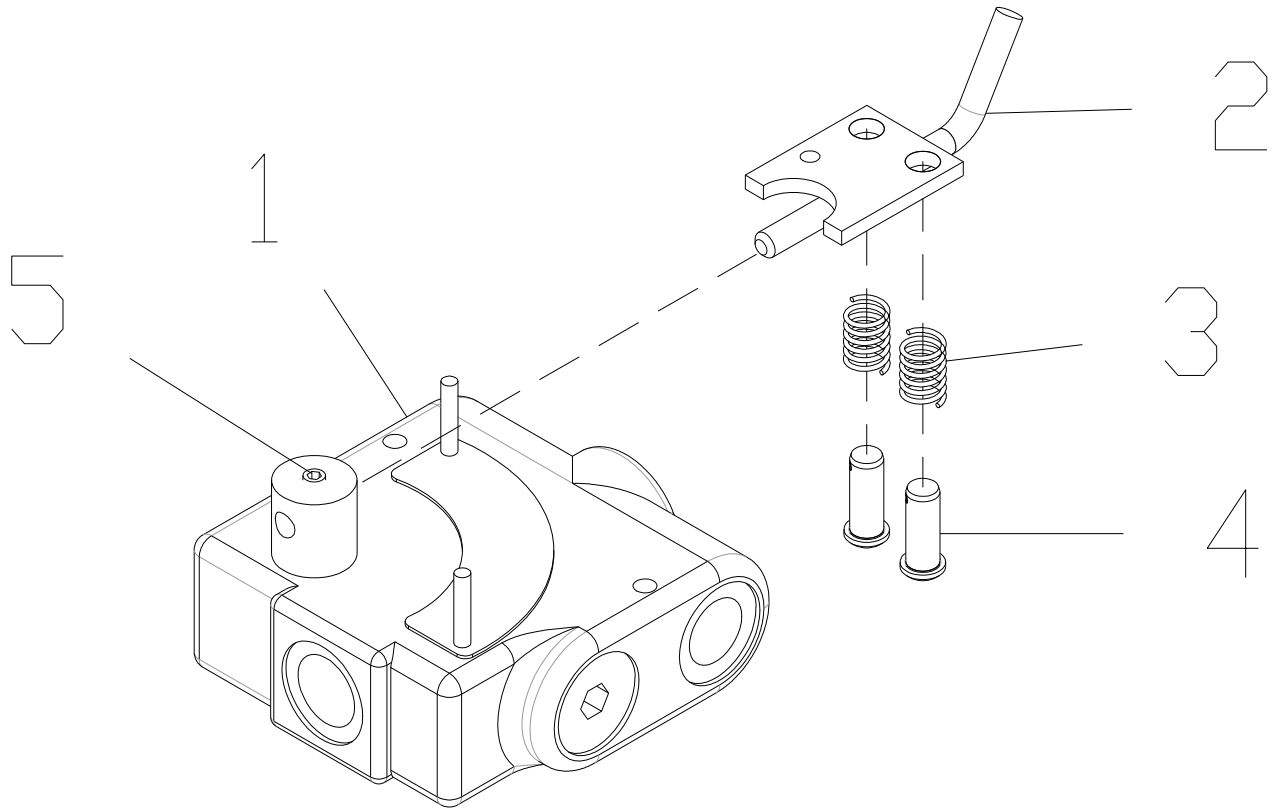
ITEM NO.	PART NUMBER	DESCRIPTION	QTY.
1	586440	MOTOR, HYD. 20 CI DISPLACEMENT -10 SAE O-RING (SWING)	-
1	585120	MOTOR, HYD. 12 CI DISPLACEMENT SAE-10 ORB (AUGER/ROLL FEEDERS)	-
2	006180	KEY, WOODRUFF 1/4 X 1 #15 (808)	-
3	1780808	SEAL KIT, EATON 'H'-SERIES MOTOR #60023 (NOT SHOWN)	-
3	243040	SEAL KIT, ROSS TRW 'MG'-SERIES MOTOR #SK000090 (NOT SHOWN)	-

DISCHARGE HYDRAULIC MOTOR KIT - 576240



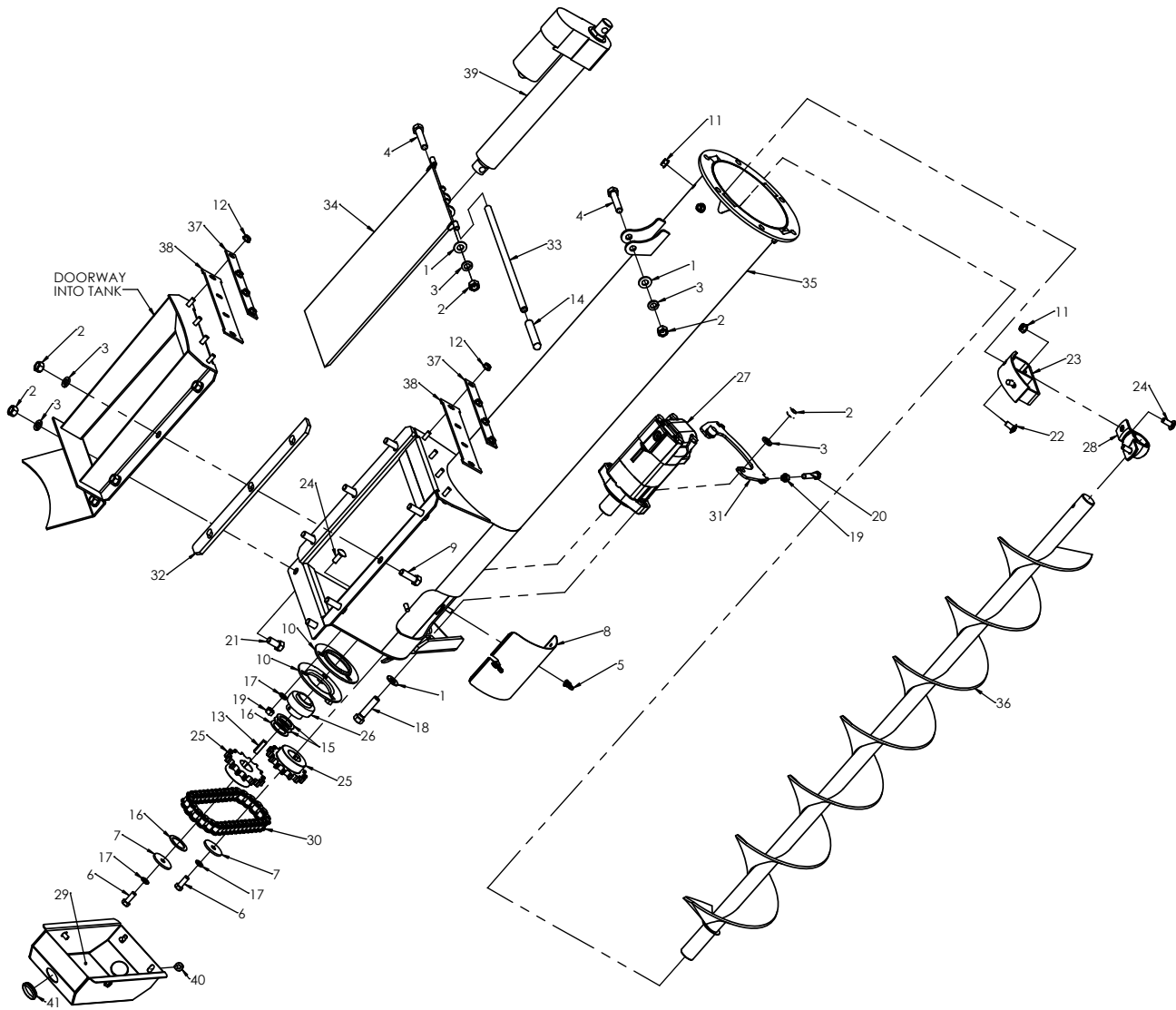
ITEM NO.	PART NUMBER	DESCRIPTION	QTY.
1	576240	MOTOR, HYD. 20 CI DISPLACEMENT SAE-10 O-RING	-
2	020220	KEY, SQUARE 5/16 X 1-1/4	-
3	G214101	SEAL KIT, EATON '2000'-SERIES MOTOR #61258-000 (NOT SHOWN)	-

AUGER FEEDER & ROLL FEED FLOW CONTROL VALVE ASSEMBLY - 585130



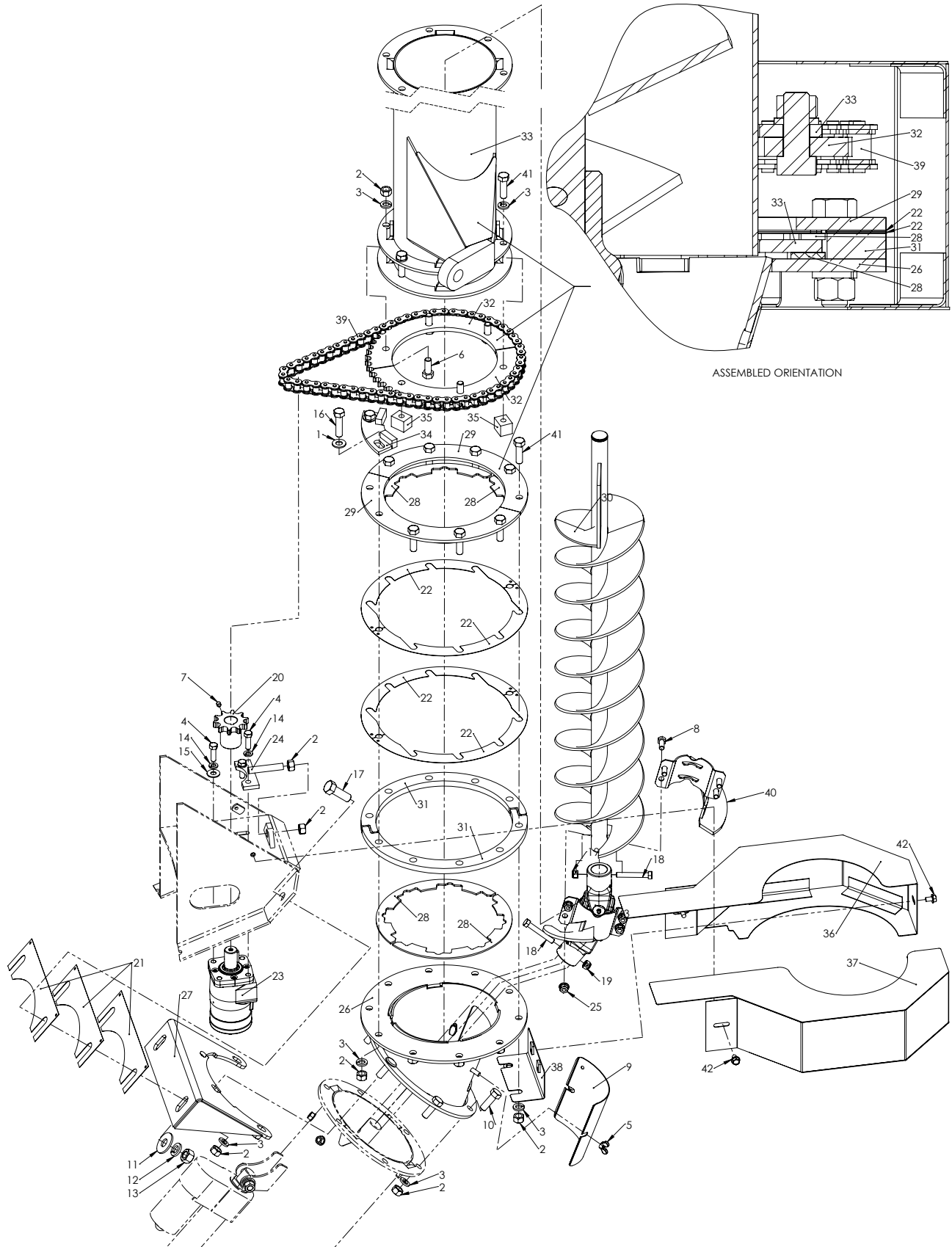
ITEM NO.	PART NUMBER	DESCRIPTION	QTY.
1	585140	VALVE, FLOW CONTROL W/O HANDLE	1
1	161500	LEVER WLDT, HYD. CONTROL	1
2	042390	SPRING, COMPRESSION 0.415 X 0.50 X 1.045 ZN	2
3	012172	PIN, CLEVIS 3/8 X 1	2
3	E672451	SCREW, SHSS 1/4-20 X 1/4	1

HOPPER & DRIVE ASSEMBLY, MECHANICAL DISCHARGE



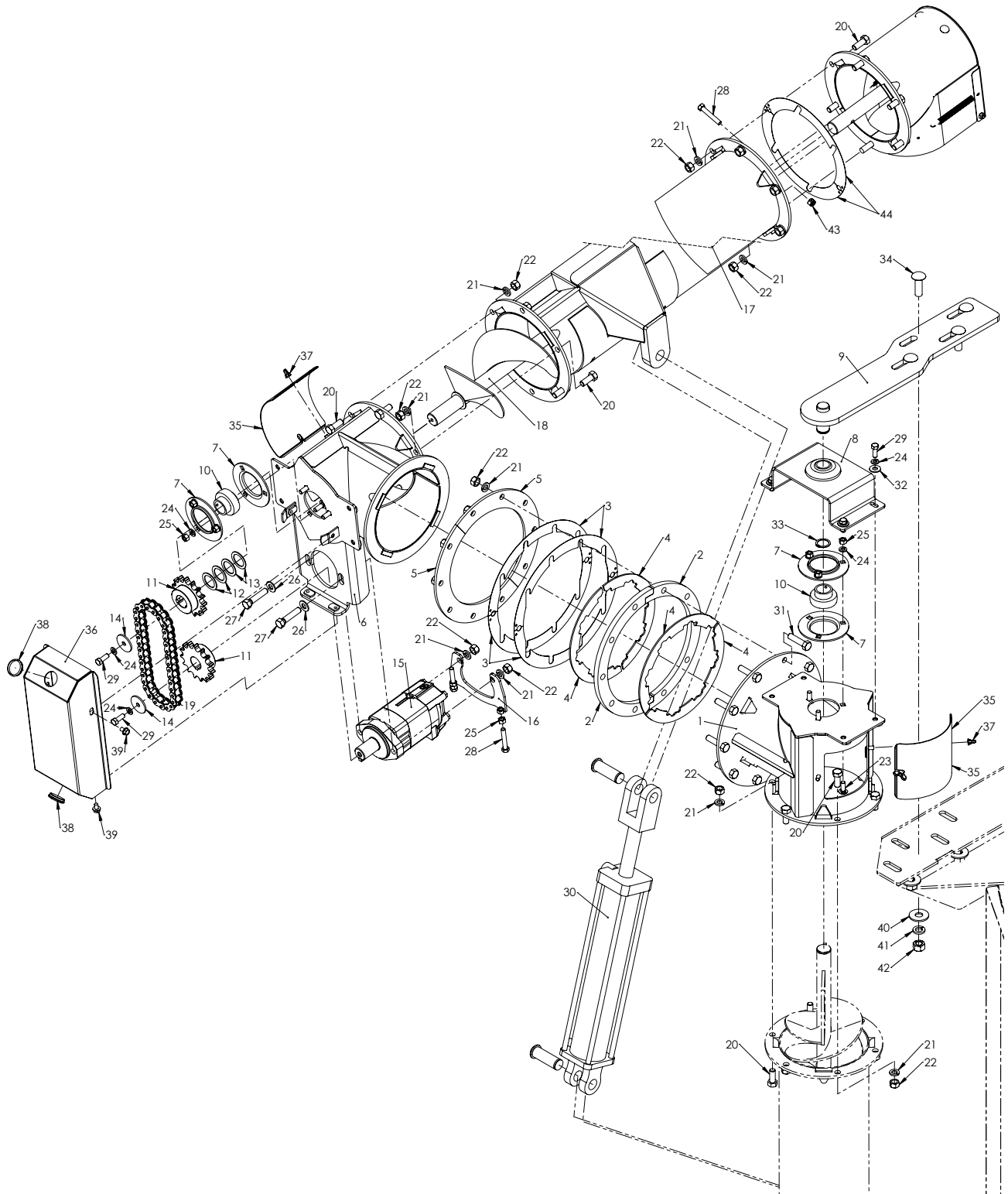
ITEM NO.	PART NUMBER	DESCRIPTION	QTY.
1	005200	WASHER, FLAT 1/2 STD	4
2	005360	NUT, HEX 1/2-13	12
3	005370	WASHER, LOCK 1/2	12
4	007080	HBOLT 0.5000-13x2.5x1.25-N	2
5	009790	Nut, Wing 5/16-18 Type A ZN	2
6	012260	BOLT, HHCS 3/8-16 X 1	2
7	012270	WASHER, FLAT	2
8	012521	DOOR	1
9	014770	BOLT, HHCS .50-13X1.50	6
10	019150	FLG, 1-1/8 BRG	2
11	020180	NUT, LOCK 3/8-16 Gr5 ZN HEX FLG	4
12	020190	Nut, Lock 5/16-18 Gr5 ZN Hex FLG	8
13	020220	Key, Square 5/16 x 1-1/4	1
14	020640	GRIP, PLASTIC	1
15	020880	WASHER, FLAT	2
16	020910	WASHER, FLAT	2
17	021180	WASHER, LOCK 3/8	5
18	023950	BOLT, HHCS 1/2-13 x 2 Gr5 ZN	2
19	027260	NUT, HEX 3/8-16 GR5 ZN	5
20	029930	HBOLT 0.3750-16x2.25x2.25-N	2
21	031080	BOLT, HHCS 1/2-13 X 1.00	2
22	032840	BOLT, CRG 3/8-16 x 3/4 SSN Gr5 ZN	2
23	165020	BRACKET WLDT,	1
24	170530	BOLT, CRG 3/8-16 X 1"	5
25	260070	SPROCKET, 60B15	2
26	461780	BEARING ASSY,	1
27	576240	MOTOR, HYD 9.6 CID	1
28	583020	BEARING, 1.25 SPLIT	1
29	583130	SHIELD	1
30	584090	CHAIN	1
31	584860	BRACKET WLDT, MOTOR	1
32	591240	SPACER, DISCHARGE	2
33	591760	TUBE, INDICATOR	1
34	610880	DOOR WELDMENT	1
35	610910	LOWER DISCHARGE	1
36	611120	DIAGONAL AUGER	1
37	611670	FLAT, SEAL REINFORCING	2
38	611680	SEAL, RUBBER	2
39	611850	ACTUATOR, 12" LINEAR	1
40	JN71292	Screw, FLG 5/16-18 x 1/2 Gr5 ZN Hex	4
41	SD205165	PLUG, 1-3/8 X .35	2

HOPPER & DRIVE ASSEMBLY, DISCHARGE, LOWER



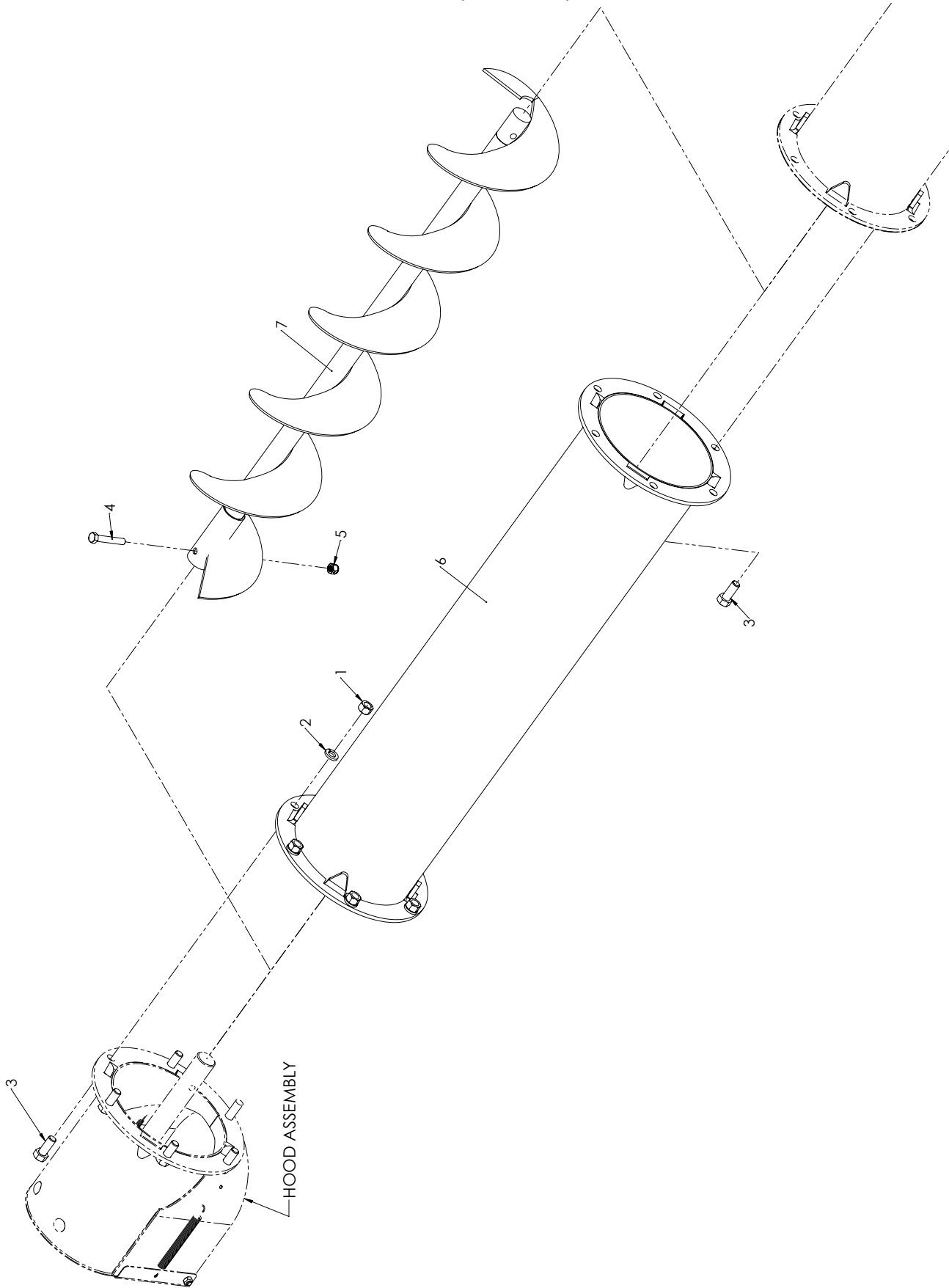
ITEM NO.	PART NUMBER	DESCRIPTION	QTY.
1	005200	WASHER, FLAT 1/2 STD	2
2	005360	NUT, HEX 1/2-13	22
3	005370	WASHER, LOCK 1/2	22
4	006690	BOLT, HHCS 3/8-16X1-1/4 GR5 ZN	4
5	009790	NUT, WING 5/16-18 TYPE A ZN	2
6	010730	BOLT, HHCS 1/2-13 X 1-1/4"	4
7	010990	SCREW, HSSS 5/16-18 X 5/16	2
8	012260	BOLT, HHCS 3/8-16 X 1	4
9	012521	DOOR	1
10	014770	BOLT, HHCS .50-13X1.50	4
11	020430	WASHER, FLAT 5/8 STD	2
12	020440	WASHER, LOCK 5/8	2
13	020450	NUT, HEX 5/8-11	2
14	021180	WASHER, LOCK 3/8	4
15	021190	WASHER, FLAT 3/8 STD	2
16	023950	BOLT, HHCS 1/2-13 X 2"	2
17	025100	HBOLT 0.6250-11X1.75X1.75-N	2
18	037630	BOLT, HHCS 3/8-16 X 2-1/2"	2
19	073630	NUT, LOCK 3/8-16	2
20	458500	SPROCKET, 60B10	1
21	582650	SHIM, .030 DISCHARGE	3
22	582670	RING, HALF	4
23	586440	MOTOR, HYD	1
24	586800	TENSIONER WLDT,	1
25	600120	NUT, HFH NYLOC 3/8-16	4
26	611070	TRANSITION WLDT,	1
27	611080	BRACE WLDT,	1
28	611140	WASHER, HALF UHMW	4
29	611150	RING, CLAMP HALF	2
30	611160	AUGER WELDMENT,	1
31	611180	RING, HALF	2
32	611200	SPROCKET, HALF 60A50	2
33	611210	TUBE WLDT,VERTICAL	1
34	611690	BRAKE WLDT,	1
35	611710	BRAKE BLOCK,	2
36	611760	SHIELD WLDT, RIGHT	1
37	611770	SHIELD WLDT, LEFT	1
38	611810	MOUNT WLDT, SHIELD	1
39	612010	CHAIN, ROLLER RC60	1
40	612280	AUGER WLDT, HALF	2
41	1770500	BOLT, HHCS 1/2-13 X 1-3/4"	10
42	JN71292	SCREW, FLG 5/16-18 X 1/2 GR5 ZN HEX	4
43	SD200294	COUPLER JOINT	1

HOPPER & DRIVE ASSEMBLY, DISCHARGE, UPPER



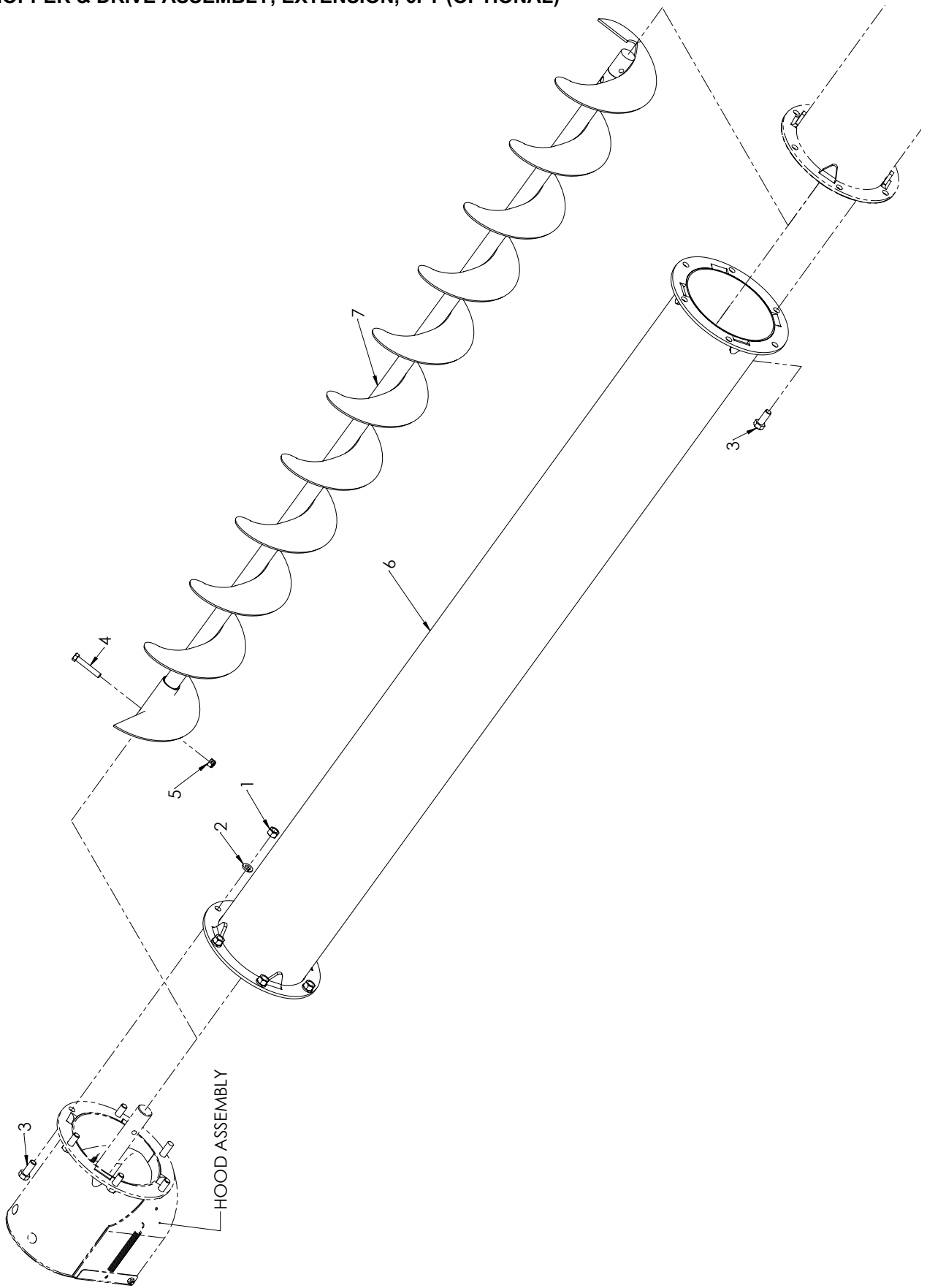
ITEM NO.	PART NUMBER	DESCRIPTION	QTY.
1	611260	ELBOW WELDMENT,	1
2	611180	RING, HALF	2
3	582670	RING, HALF	4
4	611140	WASHER, HALF UHMW	4
5	611150	RING, CLAMP HALF	2
6	611330	ELBOW WELDMENT,	1
7	019150	FLG, 1-1/8 BRG	4
8	611360	SUPPORT WLDT,	1
9	611380	ARM WELDMENT,	1
10	461780	BEARING ASSY,	2
11	260070	SPROCKET, 60B15	2
12	020910	WASHER, FLAT	2
13	020880	WASHER, FLAT	2
14	012270	WASHER, FLAT	2
15	576240	MOTOR, HYD 9.6 CID	1
16	584860	BRACKET WLDT, MOTOR	1
17	611480	TUBE WLDT,	1
18	611440	AUGER WELDMENT,	1
19	584090	CHAIN	1
20	010730	BOLT, HHCS 1/2-13 X 1-1/4"	17
21	005370	WASHER, LOCK 1/2	30
22	005360	NUT, HEX 1/2-13	30
23	170530	BOLT, CRG 3/8-16 X 1"	6
24	021180	WASHER, LOCK 3/8	12
25	027260	NUT, HEX 3/8-16 GR5 ZN	8
26	005200	WASHER, FLAT 1/2 STD	2
27	023950	BOLT, HHCS 1/2-13 x 2 Gr5 ZN	2
28	029930	HBOLT 0.3750-16x2.25x2.25-N	3
29	012260	BOLT, HHCS 3/8-16 X 1	6
30	610470	CYLINDER, HYD.	1
31	023950	BOLT, HHCS 1/2-13 X 2"	10
32	021190	WASHER, FLAT 3/8 STD	4
33	035200	RING, SNAP	1
34	287880	RHSSNBOLT 0.625-11x2x1.5-N	4
35	012521	DOOR	2
36	583130	SHIELD	1
37	009790	Nut, Wing 5/16-18 Type A ZN	4
38	SD205165	PLUG, 1-3/8 X .35	2
39	JN71292	Screw, FLG 5/16-18 x 1/2 Gr5 ZN Hex	4
40	020430	WASHER, FLAT 5/8 STD	4
41	020440	WASHER, LOCK 5/8	4
42	020450	NUT, HEX 5/8-11	4
43	073630	NUT, LOCK 3/8-16	1
44	612060	SHIM, HALF 10" ID	2

HOPPER & DRIVE ASSEMBLY, EXTENSION, 3FT (OPTIONAL)



ITEM NO.	PART NUMBER	DESCRIPTION	QTY.
1	005360	NUT, HEX 1/2-13	6
2	005370	WASHER, LOCK 1/2	6
3	010730	BOLT, HHCS 1/2-13 X 1-1/4"	6
4	029930	HBOLT 0.3750-16x2.25x2.25-N	1
5	073630	NUT, LOCK 3/8-16	1
6	611880	TUBE WLDT,	1
7	611930	AUGER WLDT,	1

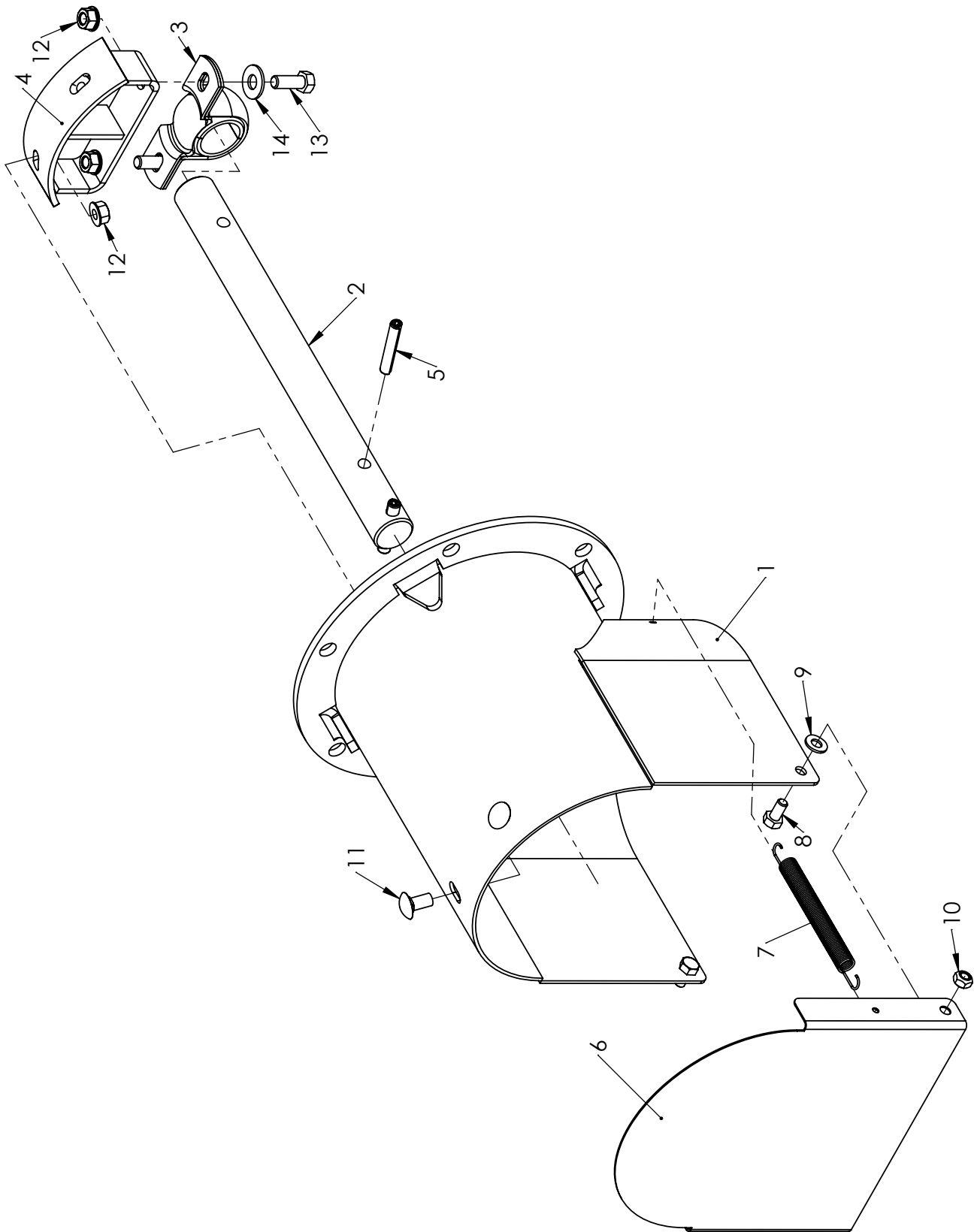
HOPPER & DRIVE ASSEMBLY, EXTENSION, 6FT (OPTIONAL)



ITEM NO.	PART NUMBER	DESCRIPTION	QTY.
1	005360	NUT, HEX 1/2-13	6
2	005370	WASHER, LOCK 1/2	6
3	010730	BOLT, HHCS 1/2-13 X 1-1/4"	6
4	029930	HBOLT 0.3750-16x2.25x2.25-N	1
5	073630	NUT, LOCK 3/8-16	1
6	611860	TUBE WLDT,	1
7	611900	AUGER WLDT,	1

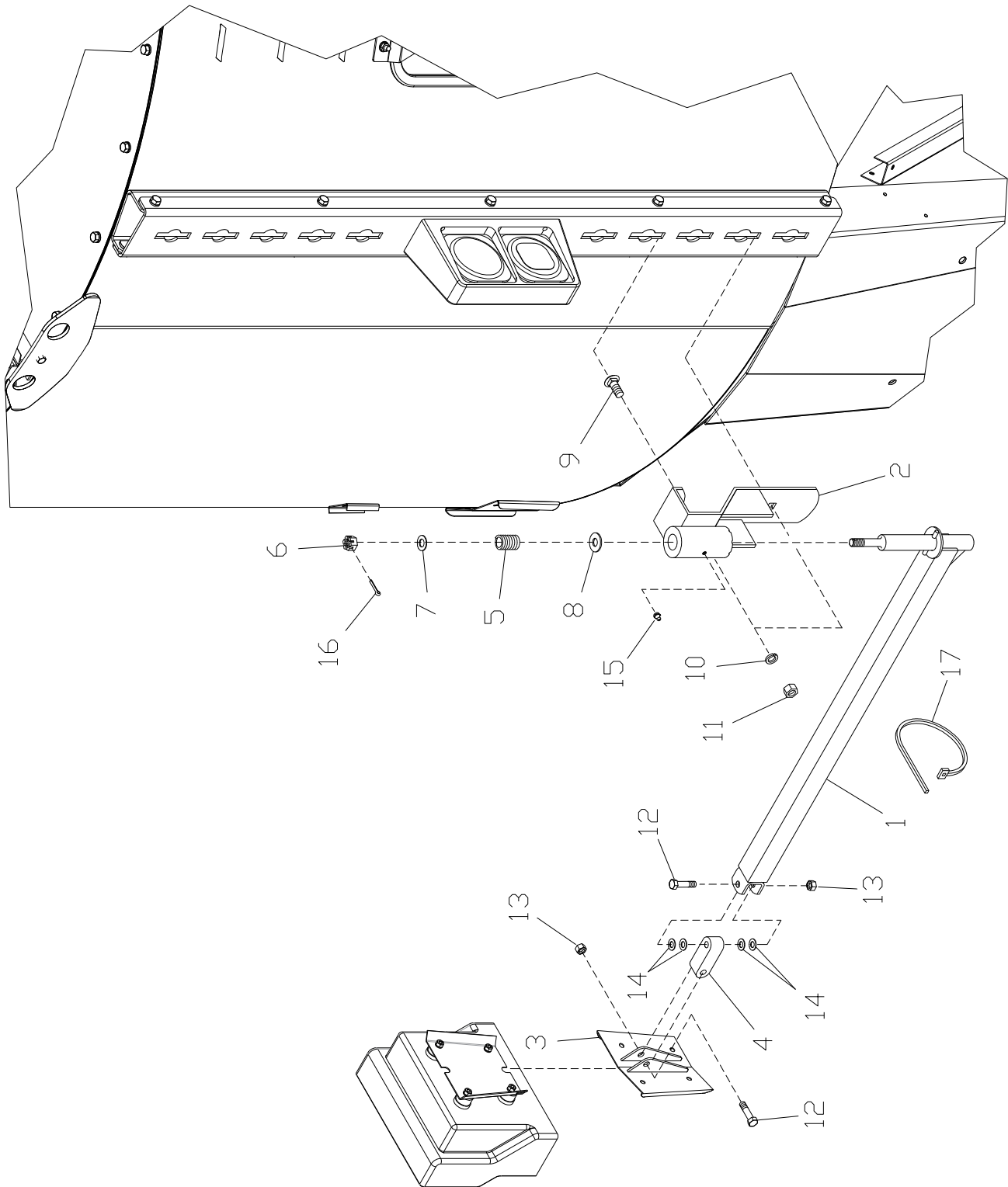
ITEM NO.	PART NUMBER	DESCRIPTION	QTY.
1	005360	NUT, HEX 1/2-13	1
2	012410	BOLT, CRG 5/16-18x3/4 SSN ZN	2
3	021180	WASHER, LOCK 3/8	4
4	021190	WASHER, FLAT 3/8 STD	4
5	023620	WASHER, LOCK 5/16	20
6	023630	NUT, HEX 5/16-18 GR5 ZN	20
7	025670	NUT, LOCK 5/16-18 HEX FLG	2
8	025760	BOLT, HHCS 5/16-18x1 1/2	20
9	027260	NUT, HEX 3/8-16 GR5 ZN	4
10	034360	PIN, COTTER, 1/8 X 1.00	2
11	035180	BOLT, CRG 3/8-16 X 1-1/4"	4
12	035830	Pin, Cotter 3/16 x 1-1/2 ZN	1
13	037790	BOLT, HHCS 3/8-16 X 2	1
14	073630	NUT, LOCK 3/8-16	1
15	124300	Nut, Lock #10-24 Hex GrA CAD-2 Way	1
16	127830	HANDLE WLDT,	1
17	127890	NUT, HEX LOCK 1/2-13 TOP LOCK	1
18	143700	CHAIN, #16 SINGLE	1
19	143710	PIN, SNAPPER	1
20	144640	PIN, PIVOT	1
21	218300	BOLT, HHMS #10-24x1/2	1
22	586850	HINGE WLDT,	1
23	586880	SHIM, EXT HINGE	12
24	587220	T-BAR WLDT, LATCH	1
25	611860	TUBE WLDT,	1
26	613810	AUGER WLDT,	1
27	613850	COUPLER WLDT, MALE	1
28	613871	BAND, 8" CLAMP	2
29	613880	CLAMP WLDT, PIN	1
30	613900	CLAMP WLDT, FEMALE	1
31	613910	CLAMP WLDT, BASE	1
32	613950	CLAMP WLDT, PIVOT	1
33	613990	CLAMP WLDT, CATCH	1
34	614110	CLAMP WLDT, LATCH	1
35	614120	ANCHOR WLDT, 8"	2
36	W144750056	Washer, Flat 7/32 x 1/2 x 3/64 #10 SAE +	1

HOPPER & DRIVE ASSEMBLY, HOOD ASSEMBLY



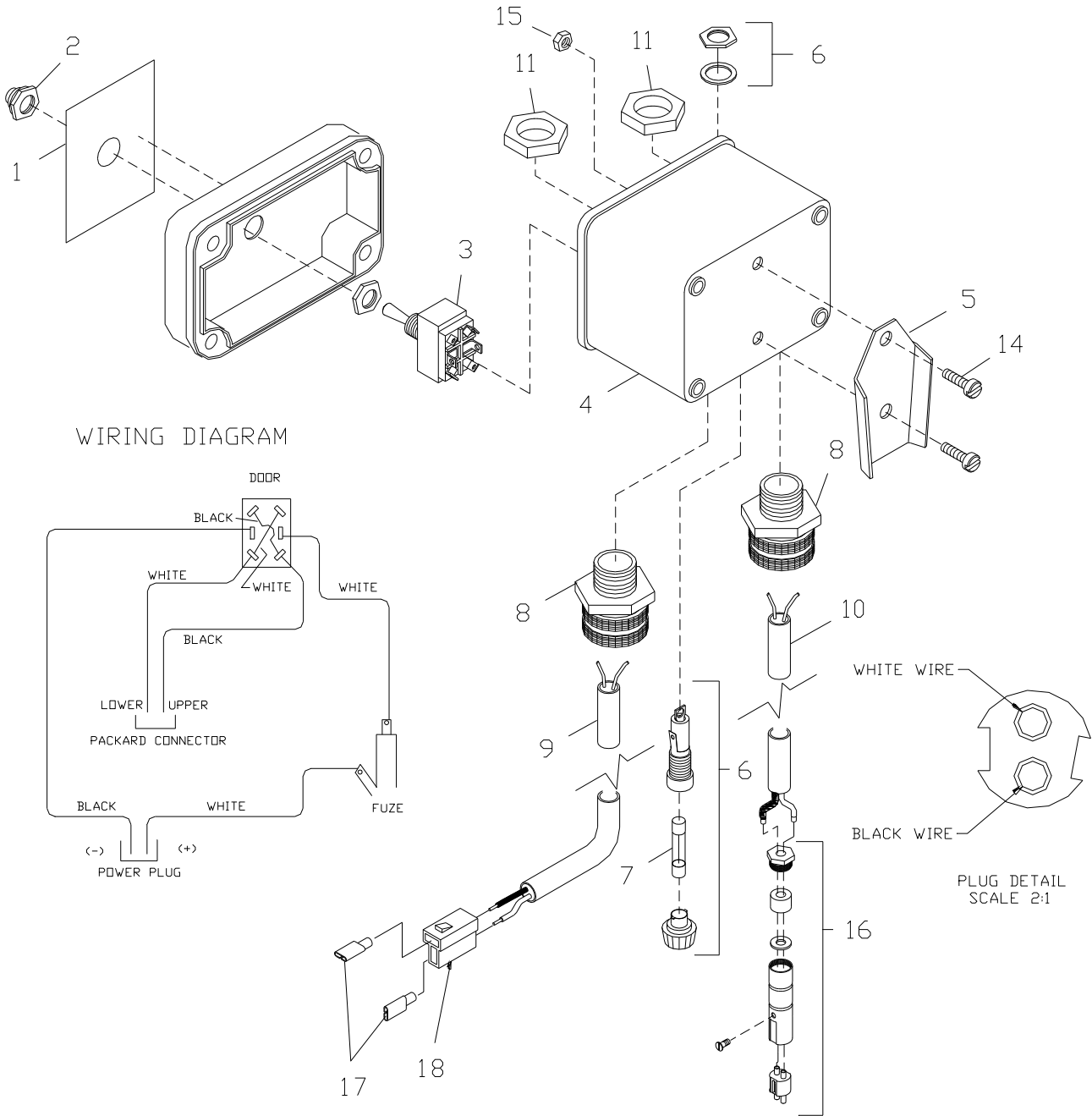
ITEM NO.	PART NUMBER	DESCRIPTION	QTY.
1	611400	HOOD WLDT, 8"	1
2	583690	SHAFT, COUPLER	1
3	583020	BEARING, 1.25 SPLIT	1
4	165020	BRACKET WLDT,	1
5	143812432	Pin, .375 x 2 Slit Spring	2
6	611410	DOOR, HOOD 8"	1
7	100750	SPRING, EXTENSION	2
8	006880	BOLT, HHCS 5/16-18x5/8 GR5 ZN	2
9	022920	WASHER, FLAT 5/16 STD	2
10	025670	NUT, LOCK 5/16-18 HEX FLG	2
11	032840	BOLT, CRG 3/8-16 x 3/4 SSN Gr5 ZN	2
12	020180	NUT, LOCK 3/8-16 Gr5 ZN HEX FLG	4
13	012260	BOLT, HHCS 3/8-16 X 1	2
14	021190	WASHER, FLAT 3/8 STD	2

SCALE ARM ASSEMBLY



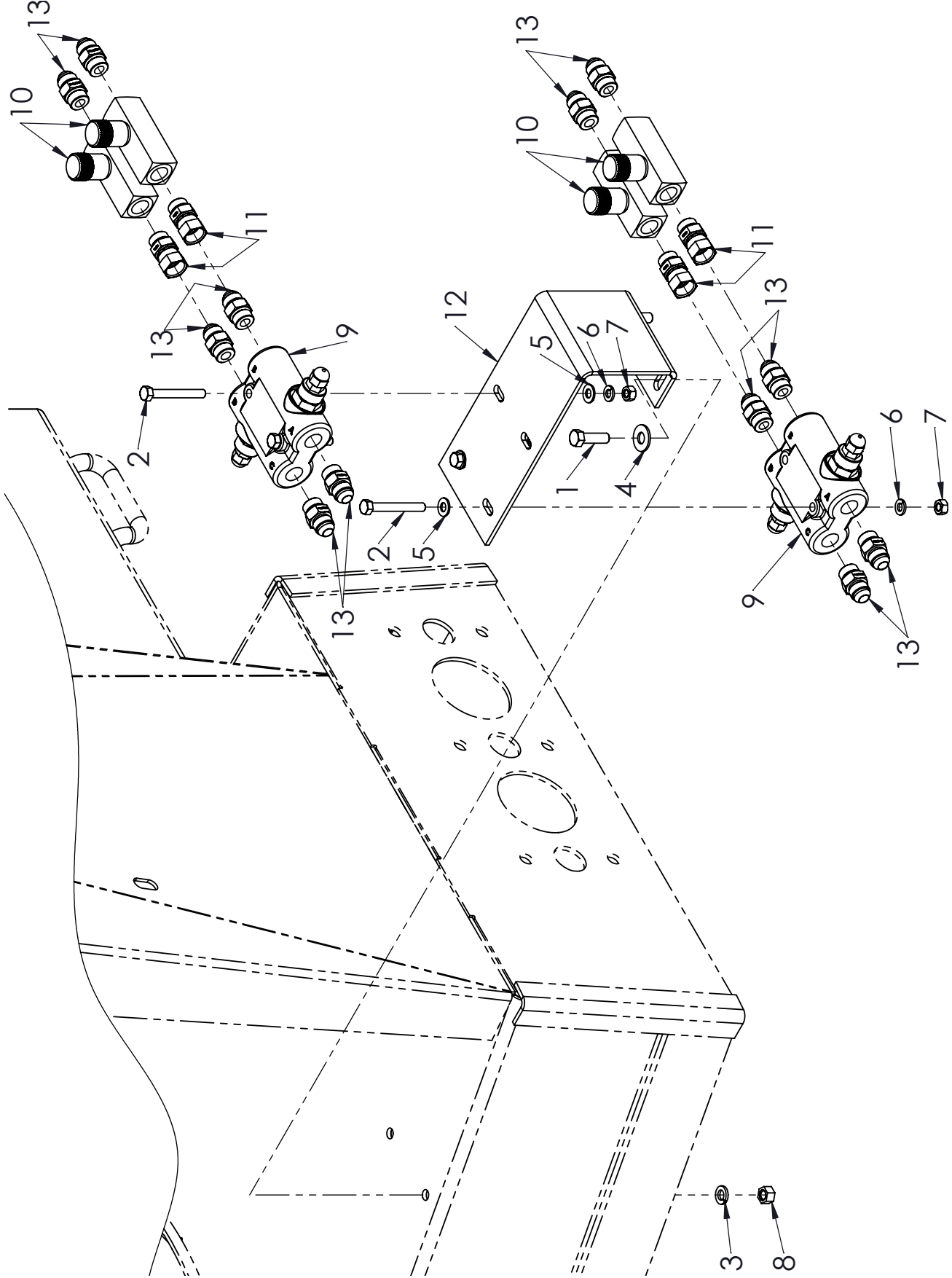
ITEM NO.	PART NUMBER	DESCRIPTION	QTY.
1	529560	ARM WLDT, SCALE PIVOT	1
2	529600	BRACKET WLDT, SCALE PIVOT MOUNT	1
3	529630	BRACKET, WLDT SCALE MTG	1
4	400800	BLOCK, PIVOT	1
5	342890	SPRING, COMPRESSION 1 X 1.75	1
6	215160	NUT, HEX SLOTTED 1/2-20	1
7	1120396	WASHER, FLAT 1/2 SAE	1
8	005200	WASHER, FLAT 1/2 STD ZN	1
9	E096046	BOLT, CRG 1/2-13 X 1-1/2	2
10	005370	WASHER, LOCK 1/2	2
11	005360	NUT, HEX 1/2-13	2
12	037790	BOLT, HHCS 3/8-16 X 2 GR5	2
13	023060	NUT, LOCK 3/8 HEX 2-WAY	2
14	1120394	WASHER, FLAT 3/8 SAE	4
15	115590	FITTING, 1/4-28 STRAIGHT SELF-TAPPING	1
16	020700	PIN, COTTER 5/32 X 1	1
17	149670	TIE, NYLON CABLE 3/16 X 11	6

CONTROLL BOX & WIRE HARNESS ASSEMBLY



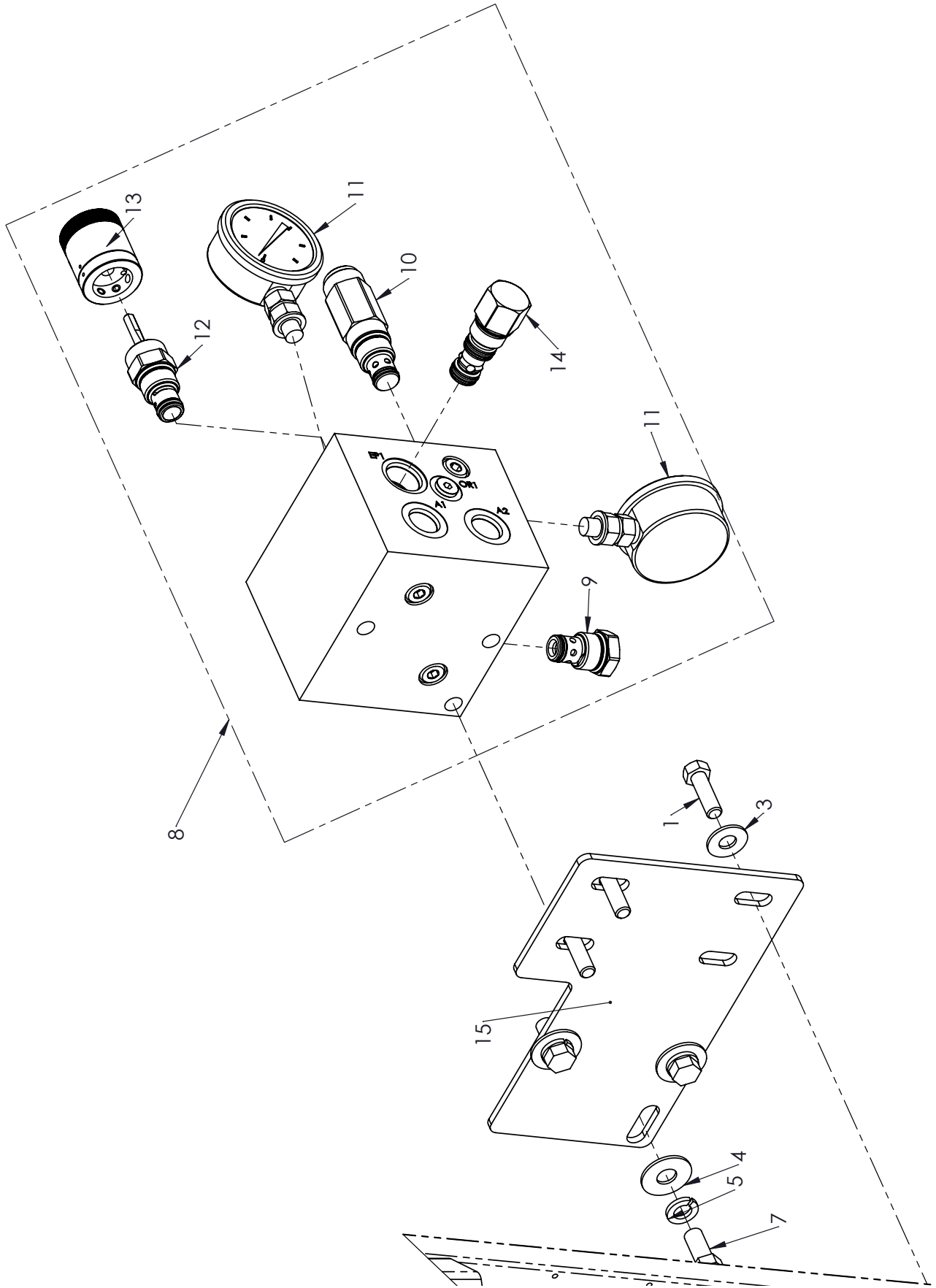
ITEM NO.	PART NUMBER	DESCRIPTION	QTY.
1	591820	DECAL, ACTUATOR CONTROL BOX	1
2	212470	SEAL, TOGGLE SWITCH	1
3	209590	SWITCH, TOGGLE MOMENTARY DPDT	1
4	591830	ENCLOSURE, REMOTE	1
5	346690	BRACKET, MOUNTING	1
6	W154550016	FUZE HOLDER	1
7	E292002	FUZE	1
8	346750	CONNECTOR, CORD .25 - .31	2
9	486650	WIRE, 16/2 GPT/300V NEO B/W	-
10	486650	WIRE, 16/2 GPT/300V NEO B/W	-
11	209210	LOCKNUT, 1/2 CONDUIT	2
12	962680	WIRE, 16 GA. WHITE	-
13	962690	WIRE, 16 GA. BLACK	-
14	021240	SCREW, TRUSS HEAD 1/4"-20 X 1/2"	2
15	023270	NUT, LOCK 1/4"-20 HEX FLANGE	2
16	155220	CONNECTOR, POWER CORD	1
17	E192016	TERMINAL, FEMALE 14-16 GA.	2
18	E376001	INSULATOR, CONNECTOR MALE PACKARD	1

TRACTOR HYDRAULIC VALVES ASSEMBLY



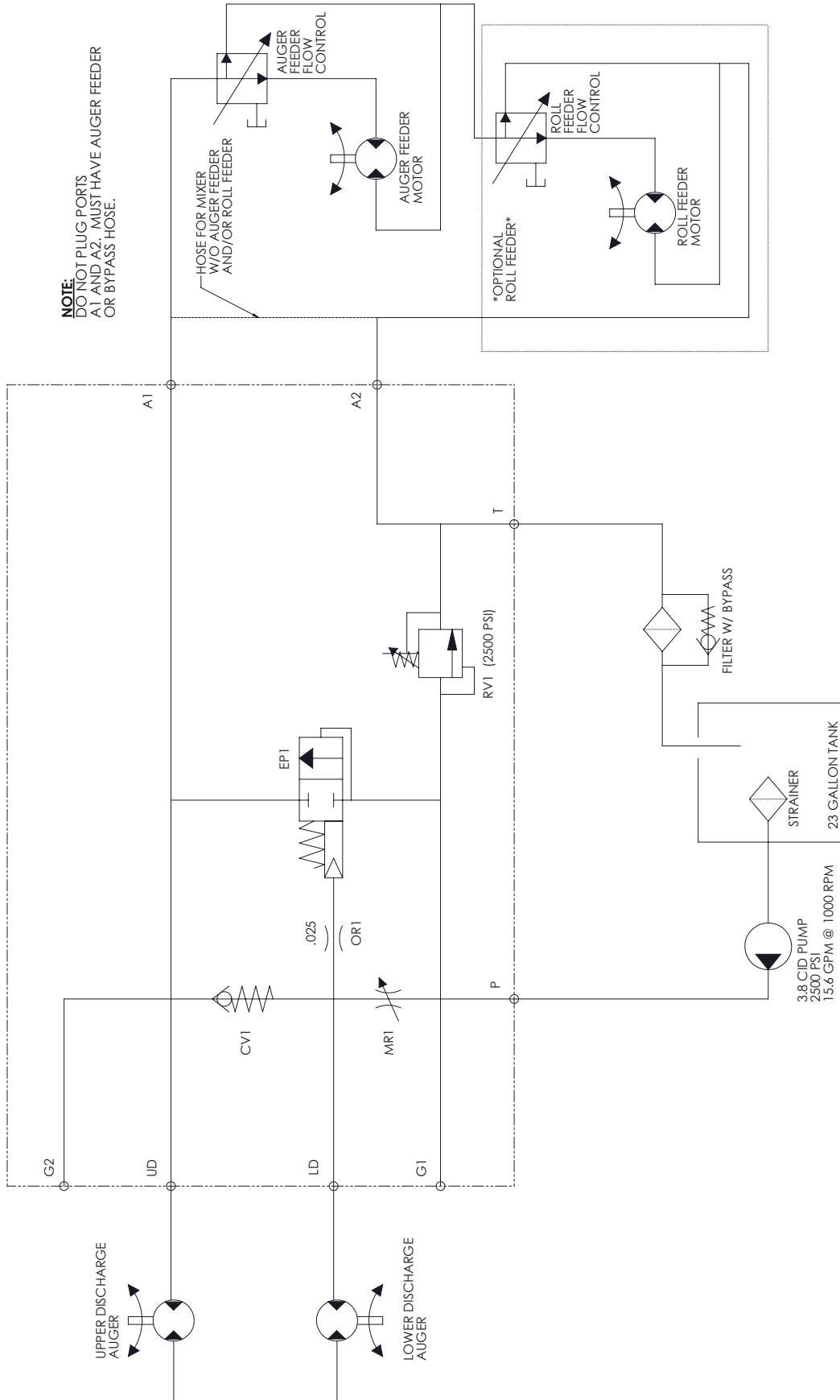
ITEM NO.	PART NUMBER	DESCRIPTION	QTY.
1	006690	BOLT, HHCS 3/8-16X1-1/4 GR5 ZN	2
2	009800	HBOLT 0.3125-18X2.5X0.875-N	4
3	021180	WASHER, LOCK 3/8	2
4	021190	WASHER, FLAT 3/8 STD	2
5	022920	WASHER, FLAT 5/16 STD	4
6	023620	WASHER, LOCK 5/16 ZN 5	4
7	023630	NUT, HEX 5/16-18 GR5 ZN	4
8	027260	NUT, HEX 3/8-16 GR5 ZN	2
9	591920	VALVE, DUAL RELIEF	2
10	591930	VALVE, FLOW CONTROL	4
11	592520	ADAPTER, STR SWIVEL	4
12	593990	BRACKET, HYD VALVE	1
13	MP09.74155	CONNECTOR - 37D FL	12

HYDRAULIC MANIFOLD ASSEMBLY



ITEM NO.	PART NUMBER	DESCRIPTION	QTY.
1	006690	BOLT, HHCS 3/8-16x1-1/4 GR5 ZN	3
2	021180	WASHER, LOCK 3/8	3
3	021190	WASHER, FLAT 3/8 STD	3
4	023980	WASHER, FLAT 7/16 STD	3
5	023990	WASHER, LOCK 7/16"	3
6	027260	NUT, HEX 3/8-16 GR5 ZN	3
7	128000	Bolt, HHCS 7/16-14 X 1	3
8	610800	MANIFOLD ASSY, HYD.	1
9	594870	#10 CHECK VALVE XXX PSI	1
10	594880	#10 RELIEF, DIFFERENTIAL AREA	1
11	MP07.17866	2-1/2 INCH, STEM MOUNT, XXX PSI	2
12	612100	#10 CONTROL, MANUAL	1
13	612090	KNOB, ROTARY 10 POSITION	1
14	612110	#10 LOGIC ELEMENT	1
15	612150	MOUNT PLATE,	1

SELF-CONTAINED HYDRAULIC SCHEMATIC



NOTE:
DO NOT PLUG PORTS
A1 AND A2. MUST HAVE AUGER FEEDER
OR BYPASS HOSE.

TRACTOR HYDRAULIC SCHEMATIC



NOTES:

Art's

Since

NOTES:





Art's-Way Manufacturing Co., Inc. TECHNICAL MANUALS

Manuals are available from your local dealer or Art's-Way Manufacturing Co., Inc. for the operation, service, and repair of your machine. For prompt convenient service, contact your local dealer for assistance in obtaining the manuals for your machine.

Your local dealer can expedite your order for operator manuals, illustrated parts catalogs, service manuals, and maintenance records.

Always give the Machine Name, Model, and Serial Number so your local dealer can provide the correct manuals for your machine.

Art's-Way Manufacturing Co., Inc. reserves the right to make improvements in design or changes in specifications at any time without incurring any obligation to install them on units previously sold.

Except as expressly authorized, no part of this manual may be reproduced, copied, transmitted, disseminated, downloaded or stored in any storage medium, for any purpose without the express prior written consent of Art's-Way Manufacturing Co., Inc.

ART'S-WAY MANUFACTURING CO., INC.

HWY 9 WEST - PO Box 288

Armstrong, IA. 50514 U.S.A

© Copyright 2012

ART'S-WAY MANUFACTURING CO., INC.

All Rights Reserved