

HAY AND FORAGE

HAY AND FORAGE



CASE II

CASE II



HAY AND FORAGE

When crop and weather conditions are just right, you need to bale as much as you can as fast as you can — while **producing the highest-quality product possible**. Maximize every minute of hay-harvesting season with conventional hay tools from Case IH. Proven to increase your operation's efficiency, our conventional hay tools allow you to **cover more acres per hour while still delivering consistent, high-quality hay**.

No matter how you prefer to cut or package hay, Case IH offers a growing lineup of innovative equipment to harvest and handle your product and meet your operation's individual needs.

“We’ve had two Case IH Disc Mower Conditioners and they just do a great job. The adjustments are simpler than with competitive models. You set the machine on the ground with your hydraulics and go. The red machines are simple, reliable and easy to deal with. In the past, we ran competitive equipment, but the Case IH DC Series is far and away a better machine.”

Frank Glenn, Glendale Farms



HAY AND FORAGE

High-efficiency Hay Overview **4–5**

MOWING AND CONDITIONING

Mounted Disc Mowers **6–7**

Pull-type Disc Mowers **8–9**

Disc Mower Conditioners **10–17**

Sickle Mower Conditioners **18–19**

RAKING

Wheel Rakes **20–21**

BALING

RB6 HD Pro Series Round Balers **22–23**

RB5 Series Round Balers **24–27**

Utility Round Baler **28–29**

Round Baler Additional Features **30–31**

Model Comparison **32–33**

SB Series Small Square Balers **34–35**

Commercial Small Square Balers **36–37**

Small Square Baler
Additional Features **38–39**

HARVESTING

Pull-type Forage Harvesters **40–41**

HAY ESSENTIALS

Bale Handling Attachments **42–43**

Application Equipment **44**

Twine **45**

Net Wrap **46–47**

Silage Film **48–49**

Specifications **50–60**



CASE IH HIGH EFFICIENCY HAY

Whether you feed hay, store hay, sell hay, farm part time or run a custom-haying operation, your goal remains the same: put up the highest-quality hay. No matter the crop type or field conditions, Case IH conventional hay equipment offers durable mowers, efficient rakes, high-capacity feeding systems and belts and rollers to consistently build high-quality, dense bales.

MOWING AND CONDITIONING

When mowing fields, numerous decisions contribute to total yield, forage quality and stand longevity. Choose from our proven line of disc mowers, including pull-type disc mowers and mower conditioners, for fast, clean-cutting performance and superior conditioning to get the most out of your fields.

- Case IH disc mowers **handle tough conditions while delivering clean-cutting performance**, maneuverability, durability and overall value.
- Case IH pull-type disc mowers **feature a smooth ride, clean cut, superior trailing ability and easy tractor hookup**.



RAKING

Move more hay faster with Case IH wheel rakes. Although it is often considered a low-cost implement on most operations, a hay rake can have a big influence on your forage crop, its value and overall quality. It's important to select and operate the right type of rake for both the crop you produce and the environment in which it's raised.

- Small or large fields, a few hundred bales or thousands, **Case IH offers the ideal rake** to fit every need.
- Easy adjustments allow Case IH rakes to **produce excellent, baler-ready windrows** in the harshest conditions.
- A durable and rugged design with **heavy-duty, long-lasting frames**, Case IH rakes are **built to handle high capacities and tough, uneven terrain**.

BALING

Case IH balers are known for producing great bale density — providing better efficiency and greater productivity. Choose from round balers, small square balers or commercial small square balers to best fit your operation. From baling wet silage to dry hay to straw or stalks, we have the baler for your operation.

- Case IH round balers **handle whatever your operation bales**, including wet silage, dry hay, straw and corn stover/stalks.
- Case IH small square balers **crank out high-quality bales up to 4.3 feet long** in all kinds of crops and conditions.
- Case IH commercial small square balers are built with additional heavy-duty features for **high-volume operations to handle challenging baling conditions**, season after season.



HAY TOOLS | MOWING AND CONDITIONING

DISC MOWERS | MD73/MD83/MD93

Case IH disc mowers handle tough conditions while delivering clean-cutting performance, maneuverability, durability and overall value.

CUTTING WIDTH:

- 5' 6" – 9' 2"

CUTTING HEIGHT:

- .063" – 3.25"

DISC SPEED:

- Up to 3,000 RPM

PTO HP REQUIRED:

- 35 – 60 HP

CURRENT MODELS

- **MD73:** 6'8" cutting width including 5 oval cutting discs.
- **MD83:** 7'10" cutting width including 6 oval cutting discs.
- **MD93:** 9'2" cutting width including 7 oval cutting discs.

IMPROVED SUSPENSION FOR HASSLE-FREE TRANSPORT

- When in the **transport position**, the MD73, MD83 and MD93 models become **compact packages with ride stability and plenty of ground clearance**.
- The cutterbar **transport lock automatically engages** for a secure hold.
- The **cutterbar is spring-balanced from end to end**, allowing the mower to glide over uneven terrain smoothly. **It's adjustable for all conditions**.
- The V-belt tension spring has an easily visible indicator for quick inspection of belt tension; changing belt tension is convenient with **single-point adjustment and no shields to remove**.
- **A tethered pin activates the flotation spring** for cutting and is repositioned when using the parking stand.

HEAVY-DUTY CUTTERBAR

- **Standard three-year cutterbar warranty** covers all internal drive components.
- Cutterbar handles most crop conditions, **from wet fields to downed crops**.
- Built with **heat-treated components**, the cutterbar stands up to extreme conditions.
- **Modular cutter design** provides durability and serviceability.
- MD3 mowers feature **convenient quick-change knives**.
- For enhanced protection from rocks and collisions, each disc is equipped with an **easily serviceable shock hub**.

QUICK-HITCH COMPATIBILITY

- For quick and convenient hookup and removal, all MD3 mowers feature a **Category 2 hitch that is quick-hitch compatible**.

3YEAR
CUTTERBAR
FACTORY WARRANTY





HAY TOOLS MOWING AND CONDITIONING

PULL-TYPE DISC MOWERS | TD103

The Case IH TD103 pull-type disc mower features a smooth ride, clean cut, superior trailing ability, low transport height and easy tractor hookup.

CUTTING WIDTH:

- 10' 4"

DISC SPEED:

- 2,835 RPM

CURRENT MODELS

- **TD103:** 10' 4" cutting width including 8 oval cutting discs.

CUTTING HEIGHT:

- 0.95"–3.2"

PTO HP REQUIRED:

- 60 HP

VERTICAL & LATERAL FLOTATION

- A large-diameter, **adjustable, rear spring is attached to the main frame** and cutterbar on the rear left- and right-hand sides.
- Position of springs provides both **vertical and lateral flotation**, allowing the machine to cut evenly in tough terrain and **provides additional cutterbar protection**.
- **Easy nut adjustment** at the top of the spring provides the ability to **increase or decrease flotation**.

CAN-DO CUTTERBAR

- End discs **co-rotate and provide a narrower swath** of 95 inches.
- The cutterbar on the TD103 mowers utilizes the same modular design and features as the MD3 disc mowers, including:
 - **Quick-change knives**
 - **Modular design**
 - **Shock Hub protection to minimize repairs**
 - **Three-year cutterbar warranty**

EASY TRANSPORT

- **Hookup and disconnect is quick and easy** with a simple clevis hitch.
- The TD103 model **can be pulled by lighter-weight tractors**, as weight is pulled, instead of carried, **on a 3-point hitch**.
- A **holding bracket keeps PTO shaft off the ground** for storage, and **keyhole slots are available for the hydraulic hoses**.

TRAILING SIMPLICITY

- The Case IH TD103 pull-type disc mower features a **smooth ride, clean cut and superior trailing ability**.
- The side-pull tongue design **centers behind the tractor hookup for easy transport**.
- The crop deflector shields, located behind each cutterbar's end, **direct crop into a wide swath inside the tire path**.





HAY TOOLS | MOWING AND CONDITIONING

DISC MOWER CONDITIONERS | Center Pivots: DC105/DC125/DC135/DC165

Case IH disc mower conditioners offer fast cutting and high-quality conditioning for superior hay quality and windrow formation.

CUTTING WIDTH:

- 9' 2" – 16'

CUTTING HEIGHT:

- 0.95" – 3.2"

DISC SPEED:

- 2,250 – 3,000 RPM

PTO HP REQUIRED:

- 65 – 100 HP

CURRENT MODELS

- **DC105:** Glide through lush stands of alfalfa, acres of dense grass and even tough cane crops, at high ground speeds.
- **DC125:** Power through stands to deliver a quality cut for excellent hay quality.
- **DC135:** Provides industry-leading cut and crimp for superior hay quality and optimal windrow formation with a 13' cutterbar width and eight discs.
- **DC165:** Provides industry-leading cut and crimp for superior hay quality and optimal windrow formation with a 16' cutterbar width and 10 discs.

CLEANER, CLOSER CUT

- The low-profile cutterbar and wide discs **cut closer and cleaner, promoting faster, healthier crop regrowth.**
- More counter-rotating discs provide **efficient crop feeding into the conditioners.**
- **Reduced crop travel** between cutterbar and conditioners **minimizes plugging.**

VERSATILITY

- **Fine-tune your cutting based on crop conditions** by easily adjusting windrow-forming shields, swathgate, cutting height and conditioning roll pressure without tools.
- **Heavy-duty, quick-change knives** cut change time in half and are reversible for double the cutting life.
- Choose either the **drawbar swivel hitch** or **2-point swivel hitch** with DC103, DC135 and DC165 models for maximum turning performance **with zero driveline wrap-up.**
- The DC103 disc mower is **also available with a standard clevis hitch.**

DURABILITY

- The fully encased modular design provides **superior hillside lubrication** and contains any system failures due to no free-flowing oil between each module.
- Each module is **protected from damage by an external shear hub** located under the disc and on top of the module.

All DC3 mower conditioner cutterbars are backed by a three-year warranty on all internal drive components.

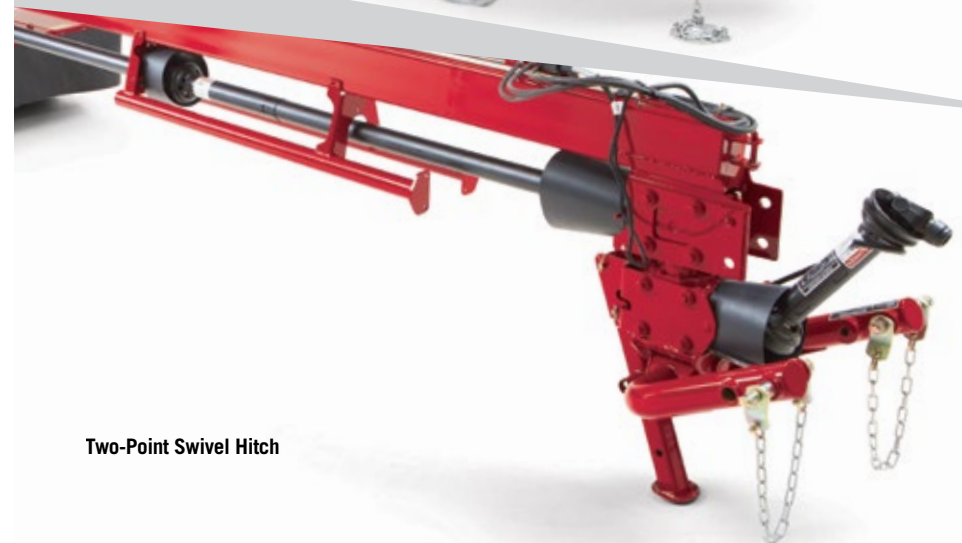
3YEAR
CUTTERBAR
FACTORY WARRANTY



Standard Hitch



Drawbar Swivel Hitch



Two-Point Swivel Hitch



HAY TOOLS | MOWING AND CONDITIONING

DISC MOWER CONDITIONERS | Side-pull: DC93/DC103

Case IH disc mower conditioners offer producers the ability to produce high-quality hay without the need for additional horsepower.

CUTTING WIDTH:

- 9' 2" – 10' 4"

CUTTING HEIGHT:

- 0.95" – 2.7"

DISC SPEED:

- 3,000 RPM

PTO HP REQUIRED:

- 65 – 80 HP

CURRENT MODELS

- **DC93:** 9'2" of cutting width available with rubber roll or flail conditioning.
- **DC103:** 10'4" of cutting width glide through lush stands of alfalfa, acres of dense grass and even tough cane crops, at high ground speeds.

CLEANER, CLOSER CUT

- The low-profile cutterbar and wide discs cut closer and cleaner, promoting faster, healthier crop regrowth.
- More counter-rotating discs provide efficient crop feeding into the conditioners.

- Reduced crop travel between cutterbar and conditioners minimizes plugging.

VERSATILITY

- Fine-tune your cutting based on crop conditions by easily adjusting windrow-forming shields, swathgate, cutting height and conditioning roll pressure without tools.
- Heavy-duty, quick-change knives cut replacement time in half and are reversible for double the cutting life.
- The DC103 disc mower is also available with a standard clevis hitch.

DURABILITY

- The fully encased modular design provides superior hillside lubrication and contains any system failures due to no free-flowing oil between each module.
- Each module is protected from damage by an external shear hub located under the disc and on top of the module.

HYDRAULIC HEADER TILT

- Quickly make cutting height changes without tools by simply pulling a pin.
- The tilt system is built into the header lift system.
- Hydraulic header tilt is standard on the DC103 and optional on the DC93.

SIMPLIFIED DRIVELINES

- Driven from the left side of the machine, delivering consistent power across all key functions.
- Swivel gearbox does not require a steering link, so the PTO shaft maintains perfect alignment.

FASTER DRY DOWN

- Both the roll and flail conditioning systems provide a best-in-class conditioning-to-cut width ratio.
- A thinner crop mat passes through the system for consistently thorough crop conditioning.
- Wider system allows for wider swaths, so more crop is exposed to the sun for better natural dry down.

SWIVEL HITCH OPTIONS

- Choose either the drawbar swivel hitch or two-point swivel hitch for maximum turning performance with zero driveline wrap-up. PTO power is transferred from the front swivel gearbox to a second swivel gearbox at the rear of the tongue, maintaining perfect alignment of the output driveshaft to the cutterbar- and conditioner-drive gearbox on the left side of the unit.

*Swivel hitches available on DC103 mower conditioners. DC93 only available with standard hitch.





SUPERIOR CONDITIONING

The wider conditioners on the DC3 series disc mower conditioners allow for a thinner crop mat, **leading to uniform conditioning and greater sun exposure to the swath.** The result is a faster drydown.

RUBBER ON RUBBER

- For thorough conditioning of leafy crops; provides **full-stem crimping and cracking while delicately handling leaves.**
- Constructed with **high-wear rubber** for years of life.
- **Available on all models.**

STEEL ON STEEL

- **Chevron steel-on-steel conditioning rolls** offer long life and durability in abrasive soils or rocky conditions.
- The **11-flute chevron pattern** provides aggressive full-stem crimping — a true advantage in cane-type crops and high-volume grasses.
- **Available on the DC103, DC135 and DC165 models.**

FLAIL CONDITIONING

- The Case IH **flail system** provides a **scuffing action** on the stem, removing the waxy outer layer for faster drydown in grass.
- The **semi-swinging design** ensures the crop is released at the optimal position to create fast-drying, uniform windrows.
- **Available on the DC93, DC103 and DC135 models.**

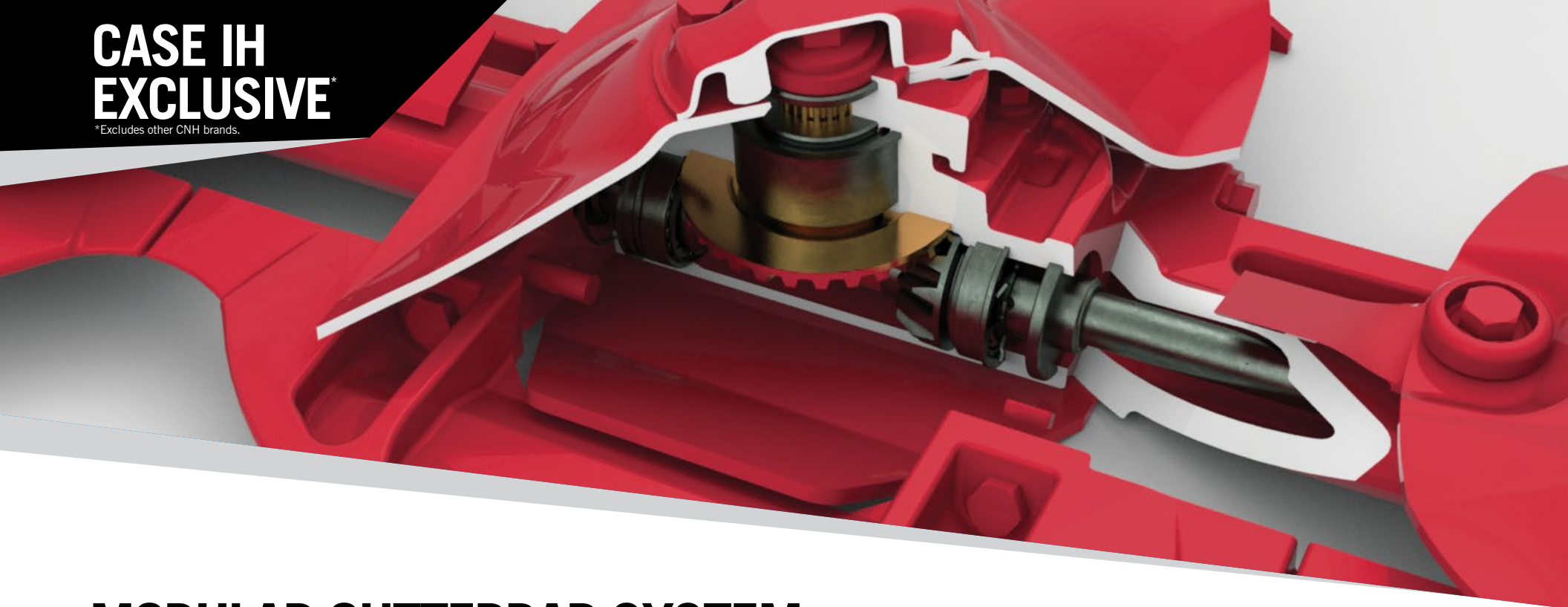


EASY ADJUSTMENTS

- The torsion-bar's roll-pressure design applies **equal force to the conditioning rolls for greater consistency** and less strain on the machine.
- The torsion-bar design has a **single point of adjustment** to fine-tune the roll pressure.
- Several systems on the disc mower conditioners **can be adjusted without tools**, adapting to current crop conditions and producing the highest-quality hay possible, including:
 - **Windrow Formation:** Swathgate and forming shields are easily adjusted without tools; spread wide or narrow to fit your needs
 - **Conditioning Roll Pressure:** A single point of adjustment fine-tunes the roll pressure
 - **Knife Maintenance:** Easy access allows you to change the quick-change knives in seconds
 - **Cutting Height:** Repositioning a pin in the hydraulic tilt cylinder changes the cutting height

CASE IH EXCLUSIVE*

*Excludes other CNH brands.



MODULAR CUTTERBAR SYSTEM

Used in all Case IH disc mowers and conditioners.

MODULAR DESIGN

- Independent modules **eliminate free-flowing oil throughout the cutterbar**, making for **easier serviceability and maintenance**.
- **Superior hillside lubrication** maximizes performance.

SHOCK HUB PROTECTION

- Each module is protected by an **external shear hub** that takes the damage from a severe impact.
- **Repairs are fast and convenient — no need to open the module**, exposing the lubricants to chaff and debris.



INTUITIVE DESIGN

QUICK-CHANGE KNIFE SYSTEM

- Quickly change dull or damaged blades in one-third the time of a standard knife system.
- Scrapers prevent the buildup of debris on the underside of the disc, ensuring easy blade changes.

EASY SERVICEABILITY AND MAINTENANCE

- The front curtain and hood conveniently fold up to allow complete access to the cutterbar for service and maintenance.
- The right-hand shield lifts to provide access to the right-hand of the cutterbar and reduces overall width for road transport.
- The left-hand shield swings open to cutterbar and driveline component access.

ADJUSTABLE GROUND PRESSURE

- To ensure a clean cut, ground pressure can be adjusted to field conditions.
- An easily accessible and adjustable coil spring controls the suspension by lengthening or shortening the spring as needed.

CONSTANT VELOCITY JOINT

- Overload protection is standard on the Case IH TD103 pull-type disc mower.
- Primary PTO uses an 80-degree constant velocity joint at the tractor end to permit tight turns, reduce noise and extend service life.
- Standard tractor tire bumpers protect PTO driveline and tractor tires.
- Tilt is adjustable from 2–10 degrees using a mechanical turnbuckle.

UNMATCHED RELIABILITY

- Shock protection to minimize repair expense.
- Discs protected from internal gear damage by the drive hub.
- Three-year cutterbar warranty includes one full year of base factory warranty, plus two additional full years and unlimited hours of extended factory disc cutterbar warranty.





HAY TOOLS MOWING AND CONDITIONING

SICKLE MOWER CONDITIONER | SC101

Case IH sicklebar mower conditioners deliver fast-cutting, high-quality conditioning, turning acres of standing crop into high-quality hay.

CUTTING WIDTH:

- 14', 16' and 18'

SWATH WIDTH:

- 96"

WINDROW WIDTH:

- 38" – 60"

PTO HP REQUIRED:

- 70 HP

SELF-PROPELLED CAPACITY AND MANEUVERABILITY

- For **self-propelled capacity and maneuverability at a pull-type price**, fit an HDX 2 series sicklebar header to the SC101.
- Choose one of three cutting widths: 14' 3", 16' 3" and 18' 3".
- Center-pivot design with hydraulic tongue swing and **1,000 RPM hydrostatic drive**.

CONDITIONING ROLL OPTIONS

- **Rubber on Rubber:** Chevron rubber rolls provide full-stem crimping and cracking while delicately handling leaves.
- **Steel on Steel:** Chevron steel rolls offer long life and durability in abrasive soils or rocky conditions.





HAY TOOLS RAKING

WHEEL RAKES | WR102 / WR201 / WR302

Wheel rakes are built to handle high capacities. Featuring quick, simple adjustments and heavy-duty construction ensure season after season of durability.

RAKE TYPE:

- Carted and Folding V

RAKE WHEELS:

- 8 – 16 Wheels

WORKING WIDTH:

- 16.4"–31"

PTO HP REQUIRED:

- 30–40 HP

CURRENT MODELS

- **WR102:** Features the availability of eight, 10 or 12 wheels, making it easier for operators to build windrows perfectly matched for their crop and field conditions.
- **WR201:** Features the availability of eight or 10 wheels, creating versatility to adapt to the demands of making quality hay — each and every cutting.
- **WR302:** Features the availability of 12, 14 or 16 wheels, creating versatility to adapt to the demands of making quality hay — each and every cutting.

DURABLE AND RUGGED

- Case IH WR series wheel rakes feature **durable, heavy-duty frames built to handle high capacities and tough, uneven terrain.**
- The generous rake arm clearance **accommodates higher-volume raking.**
- Rake sections **float over uneven terrain** without hang-ups.

EFFORTLESS TRANSPORTATION

- Achieve **faster raking speeds** without sacrificing performance and hay quality.
- Rake folds on top of cart for **easy transport from field to field.**
- **Simply push a lever** to raise and lower the rake wheels.

QUICKLY AND EASILY ADJUST RAKES

- **Adjust the raking beam angle** to form loose windrows for more airflow or a tighter windrow if conditions are dry or windy.
- **An optional single-side-opening kit** allows for independent operation of each side (WR201 and WR302 models).
- In tight spaces or when finishing up a field, **rake with only one side** of the wheel rake (WR102 model only).
- **Adjust windrow width from the comfort of the tractor seat** with a hydraulic adjustment option (WR302 model).





HAY TOOLS **BALING**

ROUND BALERS | RB6 HD Pro Series

The all-new RB6 HD Pro series balers are built to handle high annual bale counts. Engineered for the demands of wet and heavy silage, these top-of-the-line balers provide versatility for any crop with high-capacity performance and speed. Fewer moving parts and less chains mean lower overall maintenance and more productivity.

BALE WIDTH:

- 47.25"

BALE DIAMETER:

- 36"–75"

BALE WEIGHT:

- Up to 2,280 lb.

PTO HP REQUIRED:

- 100 HP

CURRENT MODELS

- **RB456HD Pro:** Available in two cutting systems. Silage compatible, the baler is equipped with a rotor feeding system to handle thick and heavy windrows.
- **RB466HD Pro:** The largest round baler offered by Case IH boasts the same features of the RB456HD Pro baler, producing bales with a maximum width of 75 inches.

NEW HEAVY-DUTY DRIVETRAIN

- Efficient transfer of power with the new heavy-duty main gear box that drives from both the left and right.
- Main drive is equipped with a heavy-duty cut-out clutch for superior overload protection.

EXTRA-WIDE PICKUPS

- Equipped with an extra wide, 82-inch tine-to-tine, heavy-duty 5-bar pickup. The five bars provide more teeth to engage the crop for a smooth delivery into the feeding system.
- Easily follow contours and prevent crop scuffing while turning on headlands with a castering gauge wheel option.

VERSATILE FEATURES

- All HD Pro balers are silage-capable and equipped with a rotor feeding system to handle thick and heavy windrows.
- Two cutting systems are offered to provide the cutting lengths your farm requires.
 - Rotor-cutter models can be fine-tuned to provide a cut length as small as 1.6 inches

- Choose from a medium cut 13-knife, fine cut 25-knife rotor or a rotor feeder model without knives
- An active drop floor senses the load and automatically opens without operator input, avoiding potential plugs.

BALE FORMATION

- HD Pro balers are equipped with endless belts.
- A dual roll drive system improves power transfer and eliminates belt slippage.
- Inside the chamber, an all-new roll layout utilizes fewer moving parts while forming dense bales.
- In-cab bale density control allows for tighter or softer cores, plus a separate density setting controls the outer portion of the bale.
- Core size can be adjusted to make a bale that is ideal for your operation.

LUBRICATION

- Automatic chain oiling is standard and includes a one-gallon tank that extends chain life and reduces maintenance.
- Convenient standard grease banks to lubricate several areas from one location.
- Optional automatic greasing system ensures constant greasing and longer bearing life.
- Easily set the greasing rate from the monitor.

NEW USER INTERFACE

- All-new user interface is intuitive and includes additional functionality.
- Field settings allow the user to set up to 60 fields or customers to track information including bale count, number of cut and uncut bales and average moisture.
- Bale settings — including bale density, size and wraps — can be named and saved for future jobs.





HAY TOOLS | BALING

ROUND BALERS | RB5 Series

Whether you're baling wet silage, dry hay or straw and stalks, the RB5 series round balers have the right fit for your operation.

BALE WIDTH:

- 46.5"–61.5"

BALE DIAMETER:

- 36"–72"

BALE WEIGHT:

- 300 – 2,500 lb.

PTO HP REQUIRED:

- 45 – 105 HP

CURRENT MODELS

- **RB455 Round Baler:** Features durable components for operating in any environment and has configurations for hay, silage, rotor cutter and rotor feeder.
- **RB465 Round Baler:** Low-profile design lets the pickup float over ground contours, gently gathering crop and saving nutrient-packed leaves.
- **RB565 Premium Round Baler:** Provides thorough windrow feeding from the pickup into the bale chamber, and a feeding system with more capacity.
- **RB565 Premium HD Round Baler:** Features a rugged design to handle silage loads.

ROUND BALER FAMILY

- With a reputation as **the hardest-working balers in the business**, RB5 series round balers have the technology you need to be ready when it's time to make hay.
- **Designed for the toughest crop types and conditions**, Case IH RB5 balers are built to provide superior bale shape and density.
- **Easier maintenance and serviceability** allow you to spend more time where it counts — in the field baling hay.

CONSISTENTLY PRODUCE HIGH-QUALITY HAY

- Case IH RB5 series round balers give you the flexibility to **bale more wet or dry crops in less time**.
- No matter the crop type or field conditions, the RB5 series round balers have **wide pickups, high-capacity feeding systems and durable belts and rolls to consistently build dense bales**.
- Spend more time in the field with features such as **tool-free adjustable gauge wheels** and **swing-open access panels** for easier maintenance and serviceability.

DURABLE PERFORMANCE

- The heavy-duty pickup features **stronger, more durable components** to increase the wear life of the equipment.
- The **“premium laced” belt and “endless” belt are designed with higher tensile strength** for improved durability and better belt tracking.
- The reliable net wrap system has an **independent up-cut knife system** to create less stress on components, which results in a **more reliable wrapping system**.
- The main driveline is protected by a **heavy-duty, high-torque cutout clutch**, not a friction disc-style clutch that requires maintenance and adjustment.





Front view of overshot feeder.



Rear view of undershot rotor with knives lowered.



Rear view of undershot rotor with knives raised.

FEEDING SYSTEMS

- Case IH RB5 balers offer two different feeder options to meet the needs of your operation:
 - **Overshot:** Available in hay and silage models. The pickup delivers the crop to a large rotor that drives material over the top and into the bale chamber, allowing for high baling speed and excellent core formation in a diverse range of crops and conditions. The rotation of the feeder rotor provides smooth, uninterrupted crop flow and provides high capacity
 - **Undershot:** Available in rotor models. The large diameter rotor receives the crop from the pickup and pulls it under the rotor. A hydraulic drop-floor provides an easy method for fast removal should a crop plug or debris enter the baler

ROTOR-CUTTER SYSTEM

- The RB456A and RB465 are available with an integrated, **high-capacity rotary feeding system** that delivers outstanding cut quality for operators desiring a processed bale.
- Balers are equipped with a **15-knife chopping system with 2 9/16-inch spacing**.
- Crop is delivered from the pickup to the high-capacity rotor. The rotor pulls the crop across the knife bed, **delivering processed crop with a fine-tuned cut length**.
- All rotor models are equipped with a hydraulically activated drop floor that can be lowered if a blockage occurs. If the bale does not need to be cut at that time, **the knives can be lowered from the cab** using a hydraulic remote valve on the tractor.
- For protection against rocks and foreign objects, each knife is **individually spring-protected to keep you in the cab** and not repairing broken or bent knives.
- To fine tune the desired cut length, knives can be **easily removed without tools**. Knife blanks are provided to use in place of a knife that has been removed.
- Benefits of using a Rotor-Cutter Baler:
 - **Bale Density:** As smaller pieces of hay are easier to compact, bale density is improved because the crop packs more tightly
 - **Silage:** Improved density minimizes oxygen inside the bale, resulting in a silage bale with better fermentation and less spoilage. This creates silage with better feedability, enhanced lactic acid and high in energy to improve your bottom line
 - **Bedding:** Straw cut into smaller pieces increases absorbency to improve pen cleanliness for improved animal health

- **Bale Grinding:** Speed up your tub grinding time as processed bales will break apart much faster. As the bale is already cut to length, time to mix the ration is shortened, reducing hours on the tractor and freeing up time for other activities
- **Less Waste:** University studies have shown bales with a crop cut length of 4 inches or less are easier for the animal to consume. Longer, uncut crop can be pulled from the feeder, dropped and likely stepped on. Smaller hay is less likely to be pulled out of the feed and dropped outside the bunk

ON-BOARD MOISTURE SENSOR OPTION

- The sensor provides a **wide moisture range reading of 7% to 60%.**
- **A low- and high-moisture setting alert** can be easily set by the operator.
- Moisture is **shown on the current baler monitor** eliminating the need for an additional monitor.
- The monitor will show **moisture of current bale and average of the previous bale.**

EASILY ADJUSTABLE GAUGE WHEELS

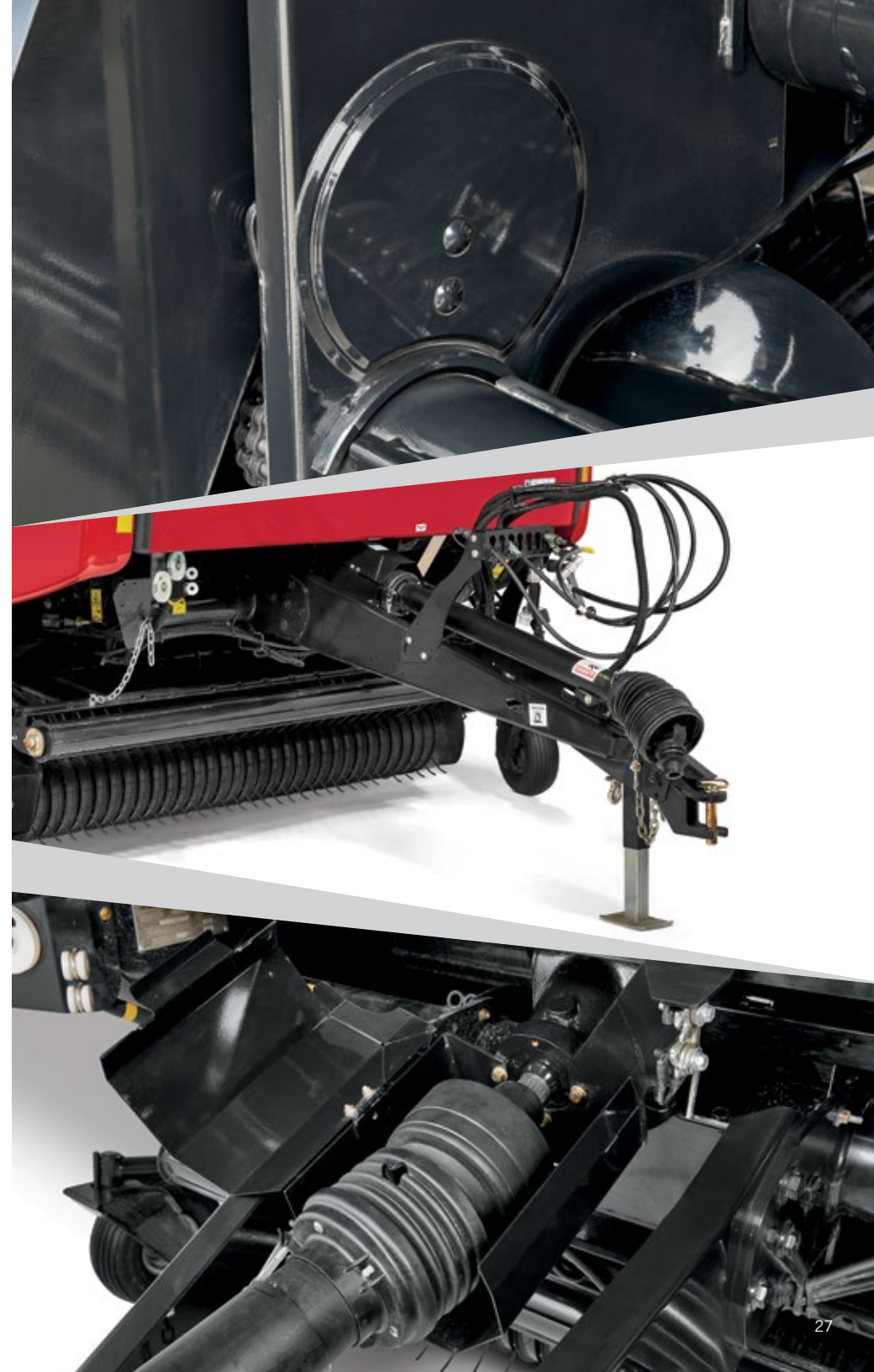
- RB5 balers are equipped with convenient **no-tool adjust gauge wheels.**
- Choose between **straight arm or castering.**
- The castering option reduces crop **scuffing when following curved windrows** or turning on headlands.

HOSE AND HARNESS HOLDER

- Conveniently **routes hoses and harnesses above and away from the PTO** to avoid potential damage.
- **A fold-down support holds the PTO shaft** during storage.
- A self-locking, short hitch pin mechanism **prevents crop dragging when baling tall windrows.**

HEAVY-DUTY CUT-OUT CLUTCH

- For reliable protection of the baler driveline, all RB5 balers **utilize a heavy-duty cut-out clutch.**
- The cut-out clutch **automatically disengages in the event of a plug.**
- Idling down the tractor will reengage the clutch – **no waiting for friction disks to cool.**
- Cut-out clutches are **maintenance-free and allow for more consistent power** to be transmitted to the baler.





HAY TOOLS | BALING

ROUND BALERS | Utility

The new Case IH RB456A utility round baler is built to meet the needs of rural lifestyle ranchers and small farmers. Packed with value-added features showcased on the RB5 series balers, the RB456A offers updated features that give it big baler benefits for smaller operations and provides affordable, reliable baling and performance.

BALE WIDTH:

- 46.5"

BALE DIAMETER:

- 36" – 60"

BALE WEIGHT:

- 300 – 1,000 lb.

PTO HP REQUIRED:

- 45 HP

CURRENT MODELS

RB456A: A compact baler designed to make quality hay bales. When a window of opportunity opens up, you'll be ready with this machine that is easy to hook up, operate and maintain.

PICKUP

- Pickup is 30% wider than the previous model.
- With a 60-1/2-inch width pickup measured from tine-to-tine and 68-inch width overall, the RB456A can handle wider windrows without the need for additional gathering wheels.
- Two adjustable gauge wheels protect the pickup in rougher fields.
- Equipped with a reciprocating stuffer to start the bale and provide full chamber width feeding.
- Optional hydraulic pickup lift provides additional convenience.

BALE FORMATION

- Six belts provide additional crop control as well as more area to apply pressure to control density and bale shape.
- Utilizes a proven combination of rolls and belts to create excellent-shaped, dense bales.
 - Similar to the roll and belt configuration found in the Case IH RB5 series balers
 - Allows for easy core starting in challenging crop conditions and outstanding density if desired

BALE WRAPPING

- Upgraded wrapping system found in Case IH RB5 series balers.
- Easy to set and make adjustment to provide outstanding net spreading.
- Three bale wrapping options: twine only, net only or net and twine combination.

NEW MOISTURE SENSOR OPTION

- Provides real-time, on-the-go crop moisture data to assist with the hay making decisions without the need for an additional monitor.
- Sensor provides accurate reading from 7% to 60%.
- Available with the net-only or net and twine configuration with Deluxe monitor.
- View two moisture readings on the monitor.
 - One reading is the moisture of the current bale being made
 - The other reading is the average moisture of the last bale made





ROUND BALERS | ADDITIONAL FEATURES

BELTS BUILT TO LAST

Belts can make or — literally — break your season. That's why Case IH has two kinds of belts to suit your needs and your budget, both made for long life.

PREMIUM LACED BELTS

- Provide **durability and flexibility** while delivering excellent value.
- Use Mato® fasteners with **long-lasting cold-rolled loops**.
- **Only available on Hay and Premium models.**

ENDLESS BELTS

- Track better and maintain **crosswise rigidity and lengthwise flexibility** with no splices.
- **Prevents belt failure** from edge punctures or tears.
- **Sealed edges** prevent fraying.
- **Three-year/15,000-bale warranty.**
- **Available on all models.**

IN-CAB CONTROLS

- **Monitor all baler functions** through your choice of easy-to-use monitors that relay information **from inside the bale chamber.**



DELUXE MONITOR WITH KEYPAD

- Compact design.
- Black-and-white display.
- Large screen area.
- Menu screen navigation.
- User-friendly icons.
- 20-customer bale count storage.

ADVANCED FARMING SYSTEMS (AFS) PRO 700 MONITOR (ISOBUS OPTIONS)

- **Color touch-screen controls** for easier navigation.
- **Connectivity with any ISOBUS-compliant tractor.**
- May be installed in most tractors with an additional power cable.

TRACTOR AND BALER AUTOMATION

- This system controls the **tractor stop, bale film and bale eject functions** without any operator input required.
- When paired with a Case IH Puma®, Maxxum® or Vestrum® series tractor featuring a CVXDrive™ continuously variable, PowerDrive powershift or ActiveDrive 8 dual-clutch transmission, operators can take advantage of **ISOBUS Class 3 controls to automatically stop the tractor when the target bale size is reached.**
- After that, **net film is automatically applied.** When the wrap cycle is complete, the baler **tailgate raises and lowers automatically to eject each wrapped bale.**
- Once the completed bale is ejected, **simply move the tractor shuttle lever to the forward position and go.**





ROUND BALER MODELS

- The **RB456A** is a utility baler designed to make quality hay bales. When a window of opportunity opens up, you'll be ready with this machine that is **easy to hook up, operate and maintain**.
- The **RB455** features a simplified system with durable components for operating in any environment. It has configurations for **hay, silage, rotor cutter and rotor feeder**.
- The **RB465** round baler features a **4×6-foot bale size**; is **configurable for hay, silage, rotor feeder and rotor cutter**; and has a low profile design that lets the pickup float over ground contours, gently gathering crop and saving nutrient-packed leaves.

	RB456A	RB455	RB465
Bale Size	4×5 ft.		4 × 6 ft.
Bale Width	46.5 in.		
Bale Diameter	36–60 in.		36–72 in.
Bale Weight	Up to 1,000 lb.	400–1,800 lb.	400–2,200 lb.
PTO HP (minimum)	40 HP	Rotor Cutter (100 HP); Rotor Feeder (85 HP); Hay (60 HP); Silage (65 HP)	Rotor Cutter (105 HP); Rotor Feeder (90 HP); Hay (70 HP); Silage (75 HP)

- The **RB565 Premium** round baler is **designed for the toughest crops** and conditions and provides superior bale shape and density. It provides thorough windrow feeding from the pickup into the bale chamber and a feeding system with outstanding capacity.
- The **RB565 Premium HD** round baler has **greater performance in high moisture and extremely dry crops** thanks to the proven roll configuration used in other RB5 silage models. It also features improved capacity and durability with a new, heavy duty driveline that features a **higher torque limit clutch and Diamond Chains**.

	RB565 PREMIUM	RB565 PREMIUM HD
Max Bale Weight	2,200 lb.	2,500 lb.
Wrap	Net & Twine or Net Only	
Pickup	2.07M Heavy Duty	
Belts	Premium Laced (std)	Premium Endless
Tires	High Flotation (21.5L x 16.1 10PR)	
Density System	Dual Hydraulic Density Cylinders/Manual Adjust or In-Cab Control	
Apron Belt Declutch	Available	
Drive Chain Sizes	Main Belt- 80H; Starter & Fixed Roll- 80	Diamond® Chain; Main Belt – 100; Starter & Fixed; Roll – 80H
Sledge Frame Follower Rolls	Single Smooth	Dual Smooth & Spiral Grooved
Backwrap Roll	3.5" Smooth	3.5" Rubber Spiral
Nose Roll	5.5" Single Smooth	5.5 Single Smooth & 3.5" Chopping Roll
Serpentine Roll	3.5" Smooth	4.5" Spiral with Scraper
PTO Torque Rating	398 – 1,401 ft-lb.; 738 – 885 ft-lb.	398 – 1,549 ft-lb.; 738 – 1,106 ft-lb.
Gearbox Output Shaft Diameter	1.6 in.	1.8 in.

- The **RB456HD Pro** and **RB466HD Pro** round balers are built to handle high annual bale counts with new innovative features. Engineered to handle wet and heavy silage, these balers provide **versatility for any crop with high-capacity performance and speed.**

	RB456HD PRO	RB466HD PRO
Bale Size	4 x 5 ft.	
Bale Width	47.25 in.	
Bale Diameter	36–65 in.	36–75 in.
Bale Weight	Up to 2,280 lb.	
PTO HP (minimum)	Rotor Cutter (120 HP); Rotor Feeder (100 HP);	





HAY TOOLS BALING

SMALL SQUARE BALERS | SB531/SB541

Case IH small square balers produce top-quality bales while getting the crop out of the field efficiently and reliably.

BALE CROSS SECTION:

- 14"×18"

PLUNGER SPEED:

- 93 spm

PICKUP # OF TINES:

- 110 – 156

PTO HP REQUIRED:

- 62 – 75 HP

CURRENT MODELS

- **SB531:** Features a dependable high-throughput rotary feeding system and uses a packer fork with two paired rotating fingers.
- **SB541:** Matches high-production needs of large-scale producers for maximum capacity.

SMALL SQUARE BALER FAMILY

- Case IH small square balers feature plenty of **sturdy tines and an adjustable pickup gauge wheel.**
- Create high-quality bales in **all kinds of crops and crop conditions.**
- **Get the job done right with high-capacity features** like wide pickups and heavy-duty, smooth, rotary feeding systems.

STURDY, CURVED FINGER TINES

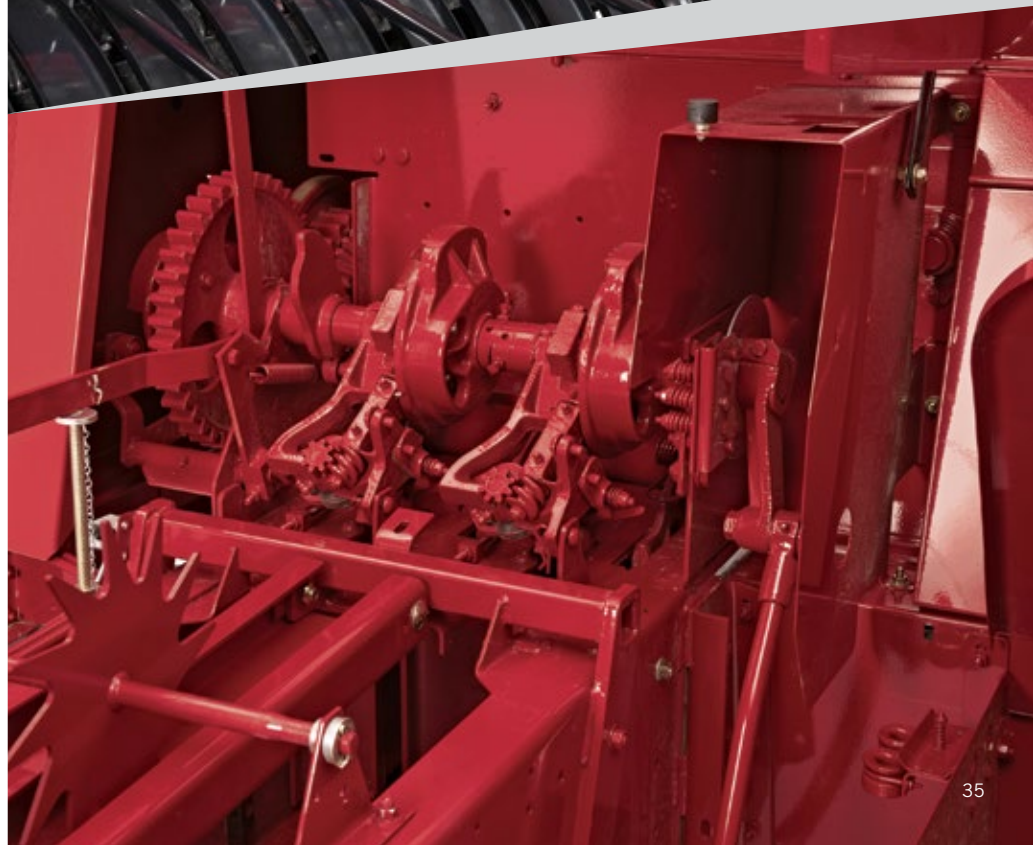
- Gently lift the crop while **keeping leaves intact**.
- Rugged tine bars run on **sealed ball bearings** for long life and **trouble-free operation**.

PICKUP GAUGE WHEEL

- Standard pickup gauge wheel.
- Adjustable to **five positions**.
- Guides the pickup through the contours of the field.
- Helps **protect the pickup** in rough fields.

TWINE TYING

- **Knotters are gear-driven** and built for durability, consistent tying and low maintenance.
- Hard-surface material at **all wear points**.
- Bill hooks are **chrome plated** for extra durability and reduced maintenance.
- SB541 is also available with a **gear-driven wire twister**.





HAY TOOLS BALING

COMMERCIAL SMALL SQUARE BALER | SB541C

The SB541C small square baler provides professional-grade performance for commercial operations, offering superior bale density and shape.

BALE CROSS SECTION:

- 14"×18"

PLUNGER SPEED:

- 93 spm

PICKUP # OF TINES:

- 156

PTO HP REQUIRED:

- 75 HP

LARGER TWINE BOX

- The **SB541C** small square baler features a heavy-duty, **8-ball twine box** that is 35% larger than the standard twine box featured on the SB541 balers.
- Larger twine balls improve efficiency by allowing operator to **bale longer before needing to replace twine balls.**

LARGER WHEELS & TIRES

- The **SB541C** offers larger wheels and tires than the SB541 small square baler.
 - **Left:** 14-L x 16.1-L
 - **Right:** 11-L x 14-L
- This increased size results in a **smoother ride and less soil compaction**.

ENHANCED BALE CASE

- **12-inch longer** than the SB541 bale case.
- The longer bale case results in **increased crop control** for optimum bale shape.
- **19% thicker bale case** than the SB541 for increased durability and life.

HYDRAULIC TENSION RAILS

- The **hydraulically controlled rails provide four-way tension** to build the heaviest bales possible and maintain consistency.
- A heavier lower cross rail alleviates bending at max pressure, resulting in **heavier, denser bales with consistent length**.

ADDITIONAL FEATURES

The **SB541C** is equipped with **additional heavy-duty features** to benefit high-capacity baling operations including:

- **Hardened plunger rails** for longer life.
- Hydraulic pickup lift to **control the pickup from the tractor seat**.
- Hydraulic tongue swing to **quickly go from transport to field position**.
- **Cast iron wedges** for longer life and better performance in straw.



SMALL SQUARE BALERS | ADDITIONAL FEATURES

HIGH CAPACITY FEEDING

- A huge **283-square-inch feed opening** allows SB balers to swallow large, uneven windrows.

HIGH-QUALITY FEEDING SYSTEM

- High-throughput rotary feeding system **delivers high capacity in any crop.**
- **Heavy-duty, double-rotating tines overlap** to feed crop smoothly and continuously.
- Adjustable **double-packer fork folds hay** into the bale chamber.
- **No-plug feeding system** effortlessly moves crop from the pickup area to the bale chamber with minimum shatter loss.

EASY BALE-DENSITY CONTROL

- All SB series balers allow for **easy bale-density control** by adjusting the tension applied to the bale chamber — for manual density control, tension springs are an economical choice.
- Baler **features a set-it-and-forget-it convenience** to ensure consistent bale weight and density.
- **Bales hold up to handling** from the rack to the elevator and from the barn to the bunk.
- **Hydraulic bale tension may be added** to the SB531 and SB541 and is standard on the SB541C.

EXTRA WIDE PICKUP

- The **SB541** and **SB541C** are equipped with wide **75-inch pickups** to devour heavy windrows.
- The pickups feature **6 rows with a total of 156 tines** for an excellent sweep of crop.
- **Hydraulic pickup lift may be added** to the SB531 and SB541 to raise the pickup from the tractor seat.

BALE CHUTE FOR EVERY OPERATION

- **Quarter-Turn Bale Chute:** Dropping bales on the side for pickup with an automatic bale wagon keeps the twine off the ground, preventing deterioration from moisture.
- **Triple-Purpose Bale Chute:** To drop bales on their sides, flat side down on the ground, unbolt the left portion of the pan — and use with the wagon hitch and chute kit to load wagons.

DEPENDABLE GEAR-DRIVEN TWINE KNOTTERS

- SB series balers features **hard-surface material at all wear points**.
- **Bill hooks are chrome-plated** for extra durability and reduced maintenance.
- SB541 is also available with a **gear-driven wire twister**.

BALE THROWER

- **Smooth, reliable hydraulic drive** throws the bales.
- SB series throwers handle bales up to **38 inches long and up to 70 pounds**.
- Easily operate the bale thrower **from your tractor seat**.
- **Move the Case IH bale thrower to the left or right** to fill the corners of the wagon.
- **Adjust the belt speed** to load the front or the back of the wagon.
- The **simple design of the BTX11 allows for easy installation, adjustment and service**.





HAY TOOLS HARVESTING

PULL-TYPE FORAGE HARVESTER | FHX300

The Case IH FHX300 pull-type forage harvester swiftly harvests crops. The 1,000 RPM driveline, heavy-duty components and wide crop heads harness big-tractor horsepower and turn it into high-capacity harvesting performance.

PTO HP REQUIRED:

- 180 HP

WINDROW PICKUP:

- 92"

CORNHEAD:

- 3-row 28–32"

CROP PROCESSOR:

- Optional

CONVERT CROP INTO HIGH-QUALITY FEED

- **25.5-inch throat opening** catches even the heaviest crops.
- Feedrolls move material smoothly and evenly into the rugged, **21-inch-diameter cutterhead**.
- **12 hardened-alloy knives chop evenly** and efficiently and span the full width of the cutterhead, providing uniform length of cut and converting crop into high-quality feed.
- **A powerful 1,000-RPM blower** moves crops quickly to fill wagons and trucks fast.
- Works efficiently regardless of whether you're working in **wet, heavy hay or an easy-to-blow crop, like corn.**

REMOTELY CONTROL THE SPOUT

- **Electronic remote controls** allow you to rotate the spout 90 degrees to easily reposition and fill towed forage wagons or trucks to the left. From your tractor seat, you can control:
 - **FHX300 feedroll direction** either forward or reverse
 - **Basic pickup functions**
 - The standard **hydraulic tongue swing** from road to field position

PRECISE CUT-LENGTH ADJUSTMENT

- Control length of cut by:
 - Changing feedroll speed
 - Adding or removing knives
 - Using one of five optional recutter screens
- Achieve a cut length from **3/16 to 7/16 inch** with all 12 knives.
- With only four knives selected, achieve a cut length **as long as 15/16 inch**.

AUTO-STOP FEEDROLLS

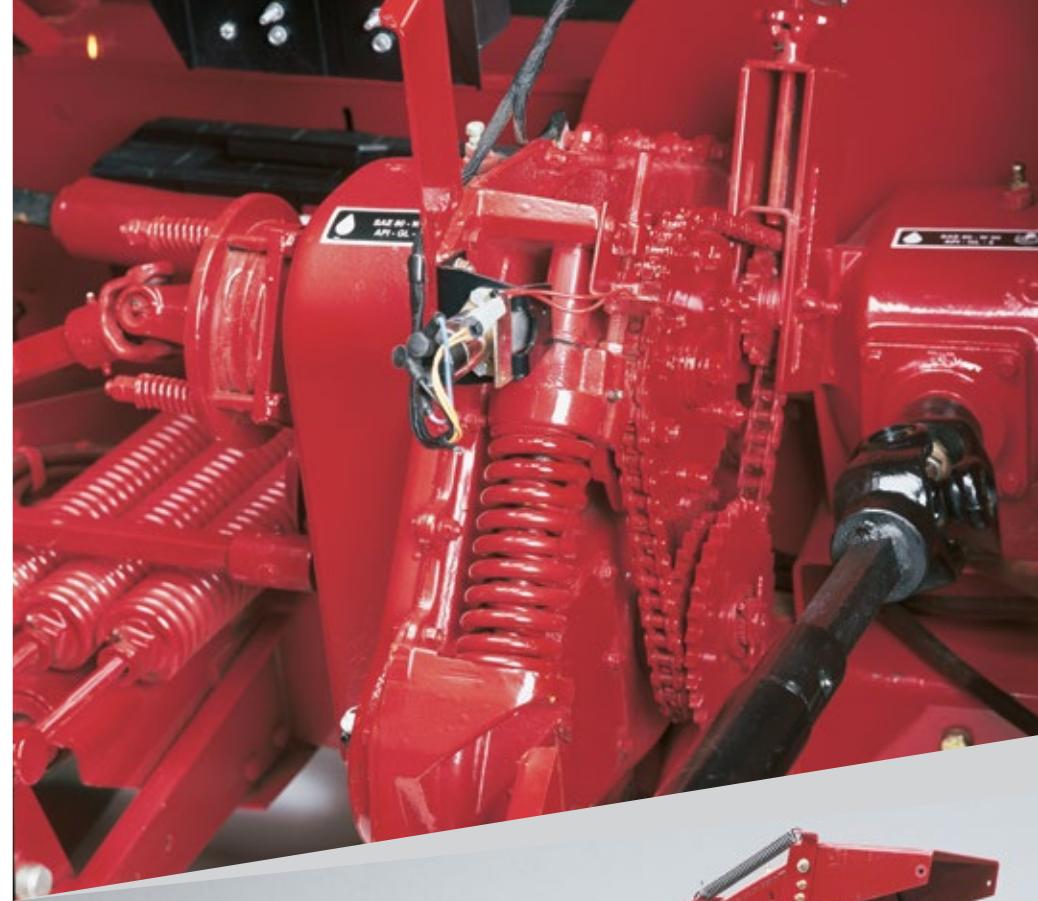
- **Detector stops feedrolls within a fraction of a second** — before metal can damage the cutterhead.
- **Power is shut off to an electric clutch on the reversing gearbox** that shifts to neutral and stops the power to the feedroll drive.
- The **feedroll control switch** allows you to back the material out of the feedrolls.
- After the metal is removed, **the detector resets automatically**.

MAXIMIZE FEED QUALITY

- The optional crop processor **maximizes feed quality** in corn silage, saving time and cost by chopping and processing in one operation.
- This results in:
 - **Better fermentation**
 - **More effective fiber** in the ration
 - Feed that's **easier for livestock to digest**

HEAVY-DUTY GAUGE WHEELS AND A FLOATING AUGER

- Heavy-duty gauge wheels are built compact for **easy maneuvering in hilly terrain** and smaller fields, while ground-hugging HDX20P windrow pickups gather the entire crop.
- Wheels help the pickup **rise over swells and into dips without gouging**.
- Open end pulls in **wide windblown windrows**.





COMPATIBLE LOADERS

- L300A Series Loaders
- L505 Series Loaders
- L600 Series Loaders
- L10 Series Loaders



BALE HANDLING ATTACHMENTS

Use bale spears, bale forks and grips to move round and square bales safely and efficiently.



BALE SPEAR

Great for handling round bales. The longer center tine safely transports the bale and the two shorter lower tines maintains bale control.



COMBO BALE/PALLET FORK

The rotating steel tubes are mounted on two powerful stone fork tines and are hydraulically adjustable sideways. During bale handling, the steel tubes roll carefully under the bale.



HEAVY-DUTY BALE SPLIT

Transport and split bales. Both straw and silage bales fall apart in two pieces, simply and smoothly move them without complicated extra hydraulics.



PALLET FORK BALE SPEAR

Well-suited to handle round bales, the pallet fork bale spear has a longer tine to safely transport the bale, and the shorter tine keeps the bale from rotating.



STANDARD SQUARE BALE FORK

Featuring a simple, robust implement, the standard square bale fork can be used for both round and square bales.



HEAVY-DUTY BALE GRIP

Well-suited for smaller square bales, the heavy-duty bale grip features implement arms that distribute the pressure evenly over a large area, ensuring careful handling of the bales.



HEAVY-DUTY ROUND OR SQUARE BALE GRIP

The implement arms are extremely stable sliding plates that move along the main frame. When stacking, it is possible to lock either the right or left arm, making for easier work.



STANDARD ROUND BALE GRIP

Both the right and left arm can be locked independently, making it possible to stack bales tightly. The implement arms are designed so it is easy to reverse out from the bale.



PALLET FORK

The pallet fork provides maximum visibility for optimal fork placement. Whether you are moving hay bales, lumber or other products, this sturdy pallet fork attachment is great for hauling smaller loads.

BETTER BALES WITH BETTER APPLICATION EQUIPMENT

Case IH automatic applicator moisture sensors accurately read moisture **percentages in real time, adjusting rates every three seconds** to match hay conditions. Large or small, our application process means your crops are baled at the **best quality possible, with minimal product waste.**

ROUND BALERS

- Automatic systems for round balers are equipped with two sensing discs, one mounted on each of the baler's sidewalls. The moisture sensor **reads moisture from 6% to 60%** on 300 and 600 series systems.

SMALL SQUARE BALERS

- Sensors for the automatic system on small square balers consist of two star wheels that mount on the bottom of the bale chute. The **moisture sensor reads moisture from 8% to 32%** on 300 and 600 series systems.

EFFICIENT DESIGN WITH YOU IN MIND

- Tanks and saddles are **easy to install, operate and service.** They are designed to be mounted out of the way of other baler operations for added safety.



HAY ESSENTIALS | TWINE

Plastic twine from Case IH is **made in the USA** and continues to be the hay and forage industry's standard for quality.

PLASTIC BALING TWINE

- Tight bales that are **consistent in size**.
- **Uniform diameter and strength** to perform in harsh applications.
- **Guaranteed knot and tensile strengths**.
- **Nontoxic to animals**.
- **UV-stabilized** to withstand extreme sunlight.
- **Multiple colors** to customer-identify your hay.

BALEKEEPER PLASTIC TWINE

- Designed with the **value-conscious farmer or operator in mind**.
- **Average breaking tension:** Labeled knot or tensile strength.
- Available in the **most popular knot/tensile strengths and lengths**.
- Sharing many of the **same performance characteristics** of the twine from Case IH.

SISAL TWINE

- **100% biodegradable twine** that helps keep your fields healthy.
- **Uniform thickness**.
- **Mildew-resistant**.
- **Consistent tensile/knot strength**.





HAY ESSENTIALS | NET WRAP

By design, net-wrapped bales are smooth, weather-resistant, easier to move and store, and retain more leaves for more palatable, higher-quality hay.

FASTNET™ BLACK NET FILM

- Designed for use in **most round balers**.
- Provides superior coverage because it **keeps its shape** and doesn't get narrower as it's stretched.
- Completely binds bales from end to end, helping to **keep the bale densely wrapped** and more weather-resistant for higher-quality hay.
- Tight wrap means **water quickly sheds off the bale**.
- **Springs off the bale** for easy removal and hassle-free feeding, especially during winter months.
- **Resists punctures and tears** for safe and reliable transport.

KNITTED NET FILM

- 100% **made in the USA**.
- Knitted netting is **light, easier to use and cost-effective**.
- Lengths up to **11,800 feet** to enable longer runs between roll changes.
- Available in both **white and green colors**.
- Durable design **resists punctures and tears** for safe and reliable transport.
- **Bright loading marker** guides you in loading the roll in the baler correctly.
- **Guaranteed length** so you can maximize number of bales per roll.

- Proven **UV-stabilized** to withstand extreme weathering conditions.
- **Red end-of-roll warning stripe** to alert you the end of the roll is coming.

BALEKEEPER™ NET FILM

- Designed with the **value-conscious farmer** or operator in mind.
- Available in the **most popular widths and lengths**.
- Sharing many of the **same performance characteristics of the net film from Case IH**.





HAY ESSENTIALS | SILAGE FILM

Costly silo and bunker storage can be eliminated with the use of Case IH silage film to produce economical, virtually spoilage-free bales.

SILAGE FILM

- Case IH silage film **provides high-puncture resistance and precise thickness** control for consistent, airtight wrapping performance.
- **High stretch ability** ensures a tight bale wrap without ripping.
- **High-cling properties** ensure bales stay wrapped.
- Available in **multiple thicknesses and strengths** to meet all your baling needs.

SILAGE REPAIR TAPE

- Strong, white polyethylene tape is **ideal for repairing your silage film, insulating and sealing.**
- The repair tape features **high UV and water resistance.**





MOUNTED DISC MOWERS

MODEL	MD73	MD83	MD93
CUTTERBAR			
Cutting Width	6 ft. 8 in. (2040 mm)	7 ft. 10 in. (2400 mm)	9 ft. 2 in. (2800 mm)
Cutting Height	.95 – 3.25 in. (24 – 82.5 mm)		
Cutter Bar Tilt Angle	0° – -10°		
Cutter Bar Operating Range	+18° – -32°	+18° – -30°	+18° – -28°
Breakaway Angle	19°		
Type Cutterbar	Modular		
Number of Discs	5	6	7
Knives Per Disc	2 – reversible, swingaway		
Disc Cutting Diameter	19.7 in. (500 mm)		
Disc Drive	Bevel gears in sealed modules		
Disc Speed	3,000 RPM		
Cutterbar Shear Protection	Std.- Frangible splines in disc drive hub		
Swath Width Standard	80 in. (2032 mm)	94 in. (2388 mm)	110 in. (2794 mm)
DRIVELINE			
Driveline Protection	Belt drive to cutterbar		
Overrunning Clutch	On PTO shaft		
Belt Tension	Spring-loaded tensioner with adjustment gauge		
TRACTOR REQUIREMENTS			
Minimum PTO HP Required	45	55	60
PTO Speed	540		
PTO Splines/Diameter	6-spline/1.375 in. (35 mm)		
HYDRAULICS/HITCH			
Hydraulic Circuits Required	1 remote		
Minimum Relief Pressure Required	1,500 psi (104 bar)		
3-Point Hitch Category	2		
DIMENSIONS & WEIGHTS			
Overall Width	138.75 in. (3524 mm)	160.25 in. (4070 mm)	181.75 in. (4616 mm)
Overall Length	42.5 in. (1080 mm)	50.5 in. (1283 mm)	
Height - Transport Position	98 in. (2489 mm)*	119.5 in. (3035 mm)**	141 in. (3581 mm)**
Operating Weight	1,300 lb. (590 kg)	1,460 lb. (662 kg)	1,590 lb. (721 kg)

PULL-TYPE DISC MOWER

MODEL	TD103
CUTTERBAR	
Cutting Width	10 ft. 4 in. (3.15 m)
Cutting Height	.95–3.2 in. (24–81 mm)
Cutting Height with Optional High-Stubble Shoes	2.25–4.5 in. (58–115 mm)
Type Cutterbar	Modular
Number of Discs/Knives Per Disc	8/2
Disc Speed @ Rated PTO Speed	2,835 RPM
Cutterbar Shear Protection	Standard - Frangible splines in disc drive hub
Cutterbar Flotation	Vertical and lateral, adjustable springs
Swath Width	95 in. (2.4 m)
DRIVELINE	
Input Speed	540 RPM
Driveline Protection	Slip clutch and overrunning clutch assembly @ rear of PTO shaft
TRACTOR REQUIREMENTS	
Minimum PTO HP Required	60
PTO Splines / Diameter	6-Splines / 1.375 in. (35 mm)
TIRES	
Tubeless Ag Rib Implement Tires	27 × 9.5-15 6PR
Max. Transport Speed	20 mph (32.2 kph)
HYDRAULICS/HITCH	
Hydraulic Circuits Required	2
Minimum Relief Pressure Required	1,500 psi (103 bar)
Drawbar Requirements – ASAE	ASAE Category 2 drawbar
DIMENSIONS & WEIGHTS	
Transport Width	10 ft. 10 in. (3.3 m)*
Overall Width	16 ft. 4 in. (4.9 m)
Transport Length	15 ft. 8 in. (4.8 m)
Operating Length	15 ft. 3 in. (4.6 m)
Transport Height	62 in. (1.6 m)
Ground Clearance w/ Header Fully Raised	11 in. (279 mm)
Operating Weight	2,610 lb. (1 186 kg)

*With left hand barrier folded down and right hand door folded up

SIDE-PULL DISC MOWER CONDITIONERS

MODEL	DC93 (ROLL)	DC93 (FLAIL)	DC103 (ROLL)	DC103 (FLAIL)
CUTTERBAR				
Cutting Width	9 ft. 2 in. (2.8 m)		10 ft. 4 in. (3.16 m)	
Cutting Height	1.1–2.7 in. (29–68 mm)		0.95–2.4 in. (24–60 mm) roll/1.1–2.7 in. (29–68 mm) flail	
Cutting Height w/ Optional High-Stubble Shoes	2.25–4.5 in. (58–115 mm)			
Cutting Height w/ Optional High-Stubble Shoe	2.25–4.5 in. (58–115 mm)			
Cutterbar	Modular			
Number of Discs/Knives	7/2		8/2	
Disc Speed at 540 PTO	3000 RPM*			
Module Protection	Shock hub system			
Cutterbar Tilt Angle	2–10°			
Cutterbar Tilt System	4-position hydraulic cylinder			
Cutterbar Shear Protection	3,000 RPM			
CROP CONDITIONING				
Cutterbar Flotation	Vertical and lateral, adjustable springs			
Type	Chevron rubber rolls	Rotor with 90 tapered flails	Chevron rubber or steel rolls	Rotor with 100 tapered flails
Length	90 in. (2 286 mm)		102 in. (2 591 mm)	
Diameter	10.4 in. (264 mm)			
Roll Drive	4 HB V-belt and enclosed gear	4 HB V-belt	4 HB V-belt and enclosed gear	4 HB V-belt
Roll Speed	647 RPM	718 RPM standard/1000 optional	647 RPM	718 RPM standard/1000 optional
Adjustments	Hand crank; No tools required	Single point hand crank rotor hood; no tools needed	Hand crank; No tools required	Single point hand crank rotor hood; no tools needed
Swath Width	6 ft. (1.83 m)		7 ft. (2.13 m)	
Windrow Width	3–6 ft. (0.9–1.83 m)		3–7 ft. (0.9–2.13 m)	
DRIVELINE				
Input Speed	540 RPM		540 or 1000 RPM standard hitch/540 only with swivel hitch option	
Driveline Protection	Slip clutch and overrunning clutch assembly at rear of PTO shaft			
TONGUE & HITCH OPTIONS				
Tongue Style	Straight tongue		Curved tongue	
Hitch Options	Standard clevis		Clevis, drawbar swivel or 2-pt. swivel	
TRACTOR REQUIREMENTS				
Minimum PTO HP Required	65		80	
PTO Shaft Spline/Size Requirements	540, 1.375 in. 6-spline		540, 1.375 in. 6-spline or 1000, 1.375 in. 21-spline	
Hydraulic Remotes Required	2			
Minimum Relief Pressure	1500 psi			
Drawbar/Swivel Hitch-Drawbar/Swivel Hitch- 2-pt.	ASAE Cat 2/N/A/N/A		ASAE Cat 2/ASAE Cat 2 or 3/ASAE Cat 2, 3-N or 3	
Electrical	7-pin electrical connector for transport lights			
DIMENSIONS* & WEIGHTS**				
Operating Width (Standard)	14 ft. 10 in. (4.52 m)		16 ft. (4.87 m)/17 ft. 7 in. (5.36 m) with swivel hitch	
Operating Length	Flail: 17 ft. 8 in. (5.4 m)*** Roll: 17 ft. 2 in. (5.23 m)***		Flail: 17 ft. 8 in. (5.4 m)*** Roll: 15 ft. 7 in. (4.75 m)***	
Operating Height	4 ft. 5 in. (1.35 m)			
Transport Length	Flail: 18 ft. 1 in. (5.5 m)*** Roll: 17 ft. 7 in. (5.36 m)***			
Transport Width	9 ft. 11 in. (3.02 m)		11 ft. 3 in. (3.42 m)	
Transport Height	5 ft. 8 in. (1.73 m)		5 ft. 3 in. (1.6 m)	
Transport Speed (mph/kph)	18 mph (32)	19 mph (32)	20 mph (32)	
Ground Clearance When Fully Raised	17 in. (432 mm)		Flail: 17 in. (432 mm) Roll: 18 in. (457 mm)	
Operating Weight	Flail: 3,690 lb. (1 674 kg)*** Roll: 3,740 lb. (1 697 kg)***		Flail: 4,100 lb. (1 864 kg)*** Roll: 4,160 lb. (1 891 kg)***	
Tires	9.5L×14L 6PR		Standard Tongue: 9.5L×14L 6PR Swivel Tongue: 11L×15L 6PR	

CENTER-PIVOT DISC MOWER CONDITIONERS

MODEL	DC105	DC125	DC135 (ROLL)	DC135 (FLAIL)	DC165 (ROLL)
CUTTERBAR					
Cutting Width	10 ft. 1 in. (3 072 mm)	11 ft. 7 in. (3 537)	156 in. (4.0 m)		192 in. (4.9 m)
Cutting Height	0.79–2.7 in. (20–69 mm)				
Cutting Height w/ Optional High-Stubble Shoes	3.1–5.5 in. (79–140 mm)				
Cutterbar	Modular				
Number of Discs/Knives	6 / 2	7 / 2	8 / 2		10 / 2
Disc Speed at 1,000 PTO	2,250 RPM^				
Module Protection	Shock hub system				
Cutterbar Tilt Angle	2–10°				
Cutterbar Tilt System	4-position hydraulic cylinder				
Cutterbar Shear Protection	Standard—frangible splines in disc drive hub				
CROP CONDITIONING					
Cutterbar Flotation	Vertical and lateral, adjustable springs				
Type	Chevron intermeshing molded rubber	Chevron intermeshing molded rubber or steel rolls		Flail rotor w/ 120 tapered flails	Chevron intermeshing molded rubber or steel rolls
Length / Diameter	90 in. (2 286 mm) / 10.4 in. (264 mm)	102 in. (2 591 mm) / 10.4 in. (264 mm)	125 in. (3 175 mm) / 10.4 in. (264 mm)		
Diameter	2 × 10.4 in. (264 mm) rolls			1 × 22 in. (560 mm) flail rotor	2 × 10.4 in. (264 mm) rolls
Roll Drive	4 HB V-belt & enclosed gears			4 HB V-belt	4 HB V-belt & enclosed gears
Roll Speed	640 / 750 RPM	750 / 640 RPM		1,042 / 752 RPM	750 / 640 RPM
Roll Tension Adjustment	Single crank			N/A	Single crank
Conditioner Gap Adjustment	Single crank adjustment of rotor hood		Drawbolt stop, each end	Single crank adjustment of rotor hood	Drawbolt stop, each end
Swath Width	6 ft. (1.8 m)	7 ft. (2.1 m)	10 ft. (3 m)	11 ft. (3.4 m)	12 ft. (3.7 m)
Windrow Width	3–8 ft. (0.9–2.4 m)				
DRIVELINE					
Input Speed	540 RPM or 1,000 RPM	1,000 RPM			
Driveline Protection	Slip clutch and overrunning clutch assembly @ rear of PTO shaft				
HITCH OPTIONS					
Hitch Options	Drawbar swivel or 2-pt. swivel				
TRACTOR REQUIREMENTS					
Minimum PTO HP Required	80	85	90		100
PTO Shaft Spline/Size Requirements	6-spline/1 3/8 or 21-spline/1 3/8		21-spline/1 3/8		
Hydraulic Remotes Required	2				
Minimum Relief Pressure	1,500 psi (103 bar)				
Drawbar/Swivel Hitch-Drawbar/Swivel Hitch- 2-pt.	ASAE Cat. 2 or 3 drawbar or Cat. 3 3-pt. hitch				
Electrical	7-pin electrical connector for transport lights				
DIMENSIONS* & WEIGHTS**					
Operating Length	23 ft. 7 in. (7.2 m) w/ 2-pt. hitch; 22 ft. 8 in. (6.9 m) w/ drawbar hitch	27 ft. 5 in. (8.4 m) w/ 2-pt. hitch; 26 ft. 5 in. (8.1 m) w/ drawbar hitch			32 ft. (9.7 m) w/ 2-pt. hitch; 31 ft. (9.4 m) w/ drawbar hitch
Operating Height	6 ft. 7 in. (2.0 m)				
Transport Length	2pt swivel hitch 27 ft. 5 in. (8.4m) drawbar swivel hitch 26 ft. 5 in. (8.1m)				
Transport Width	10 ft. 1 in. (3 072 mm)	11 ft. 7 in. (3 537 mm)	13 ft. 4 in. (4.1 m)		16 ft. 7 in. (5.1 m)
Transport Height	7 ft. 5 in. (2.26 m)				
Transport Speed (mph/kph)	20 mph (32)				
Ground Clearance When Fully Raised	16.2 in. (411 mm)				
Operating Weight	Flail: 5,660 lb. (2 567 kg) / Roll: 5,760 lb. (2 613 kg)	Flail: 5,760 lb. (2 613 kg) / Roll: 5,880 lb. (2 667 kg)	Flail: 6,147 lb. (2 788 kg); Roll: 6,255 lb. (2 837 kg)		Flail: N/A; Roll: 6,980 lb. (3 166 kg)
Tires	12.5L × 15.8 PR				

*Flail curtain is down for all height and length measurements. Length with flail curtain up should be reduced by 6 in. (152 mm). Height with flail curtain up should be increased by 11 in. (279 mm). Windrow shields fully open for length in both transport and operating positions.
**Weights shown with rubber conditioning rolls. For weight w/steel conditioning rolls add 100 lb. (45 kg).

SICKLE MOWER CONDITIONER

MODEL	SC101 W/ 14 FT. HEADER	SC101 W/ 16 FT. HEADER	SC101 W/ 18 FT. HEADER
CROP DISCHARGE			
Swath Width	96 in. (2438 mm)		
Windrow Width	38–60 in. (965–1524 mm)		
Adjustments	Swath gate adjusted lowered provides 96 in. swath. Swath gate raised allows adjustable windrow shields to produce windrow widths between 38 in. and 60 in.		
TRACTOR REQUIREMENTS			
Minimum PTO HP Required	60		
Hydraulic Remotes Required	2		
Relief Pressure	1,750 psi (121 bar)		
Minimum Drawbar	Category 2		
7-pin Electrical Connector	Required for lighting		
Hitch Type	Swivel ball in standard hitch extension w/ clevis on implement tongue		
HYDRAULICS			
Swing Circuit	Double-acting, 3 in. (76.2 mm) bore × 19 in. (482.6 mm) stroke		
Raise/Lower Circuit	Single-acting, Master/Slave, 2.5 in. (63.5 mm) bore × 10 in. (254 mm) stroke		
Tilt Circuit	Single-acting, 2 in. (50.8 mm) bore × 10 in. (254 mm) stroke		
HYDROSTATIC HEADER DRIVE SYSTEM			
Pump Drive Speed	1,000 RPM only		
Pump Type	Fixed displacement, gear-type, w/ thrust bearing on input shaft		
Pump Drive	Telescoping PTO, category 3 w/ standard u-joints		
Pump Mount	Swivel mounted on 1.75 in. (44.5 mm) composite non-greaseable bushing w/ steering link attached to hitch extension		
Flow @ Rated Speed	29 gpm (110 lpm)		
Relief Valve Setting	3,300 psi (228 bar)		
Motor Type	Fixed displacement, gear-type		
Reservoir Capacity	28 gal. (105 l)		
OPERATING SPEEDS			
Field	0–8 mph (0–13 kph)		
Transport	20 mph (32 kph)		
SAFETY FEATURES			
Lighting	Brake/Flasher/Turn signal lights – Standard		
Transport Swing Lock	Standard mechanical stop w/ spring-loaded locking pin to facilitate ease of actuation		
Transport Lift Lock	Standard mechanical lift cylinder stops		
Safety Chain	Standard		
DIMENSIONS & WEIGHTS			
Transport/Overall Width (Defined by Header Width)	16 ft. 3 in. (4.95 m)	18 ft. 3 in. (5.56 m)	20 ft. 3 in. (6.17 m)
Overall Length	25 ft. 11 in. (7.90 m)		29 ft. 7 in. (9.02 m)
Operating Position	73 in. (1 854 mm)		
Transport Position	80 in. (2 032 mm)		
Track Width	152 in. (3 861 mm)		
Ground Clearance to Guard Tips	25 in. (635 mm)		
Tires: Size, Ply Rating and Type	31 × 13.50-15, 8 ply, 11, agricultural implement rib tire		
Tires: Inflation Pressure	30 psi (2.07 bar)		
Operating: Less Header	3,062 lb. (1 389 kg)	3,094 lb. (1 403 kg)	3,208 lb. (1 455 kg)
Operating: Header w/ Steel Rolls	7,062 lb. (3 203 kg)	7,314 lb. (3 317 kg)	7,978 lb. (3 619 kg)

SMALL SQUARE BALERS

MODEL	SB531	SB541	SB541C
BALE SIZE			
Cross Section	14 × 18 in. (356 × 457 mm)		
Length	12 to 52 in. (305 to 1321 mm)		
Density Control (Std./Opt.)	Adj. spring loaded tension rails/Hydraulic density adj.		
PICKUP			
Width Inside	65 in. (1651 mm)	75 in. (1905 mm)	
Width on Flare	70 in. (1778 mm)	80 in. (2032 mm)	
Number of Teeth	110	156	
Tine Bars	Five tooth bars	Six tooth bars	
Protection	V-belt to chain, with "lost-motion" reel drive		
FEEDER			
Type	Rotary feeder with packer		
Opening	283 sq. in. (0.182 sq. m)		
PLUNGER			
Speed	93 spm		
Stroke Length	30 in. (762 mm)		
TYING MECHANISM			
Type	Twine knotter	Knotter or twister	HD knotter
Drive Mechanism	Gear and shaft		
Protection	Shear bolt		
Capacity (Twine/Wire)	6 balls/N/A	8 balls/4 coils	8 balls/N/A
MAIN DRIVE			
Flywheel Diameter	22 in. (559 mm)		
Flywheel Weight	248 lb. (112 kg)		
PTO Driveline	Std. 3 joint, category 6, with Power-Pivot bearing		
Protection	Shear bolt, overrunning and slip clutches		
Gearbox	Heat treated, steel alloy hypoid gears run in oil		
TRACTOR REQUIREMENTS			
Minimum PTO HP Required	62	75	
DIMENSIONS & WEIGHTS			
Tires Left/Right	31 × 13.50 - 15, 6PR/27 × 9.50 - 15, 6PR		14L × 16.1, 6PR/11 × 14, 6PR
Twine Tie Weight	3,400 lb. (1,542 kg)	3,715 lb. (1,685 kg)	3,940 lb. (1,787 kg)
Wire Tie Weight	N/A	3,851 lb. (1,747 kg)	N/A

ROUND BALERS

MODEL	RB456A STANDARD	RB455 HAY	RB455 SILAGE	RB455 ROTOR CUTTER	RB455 ROTOR FEEDER
BALE SIZE					
Diameter	36–60 in. (915–1524 mm)				
Width	46.5 in. (1182 mm)				
Weight	Up to 1,000 lb. (454 kg)	400–1,200 lb. (181–544 kg)		400–1,800 lb. (181–816 kg)	
Density Pressure Control	1 spring & 1 cylinder; No option for in-cab control			1 spring & 1 cylinder; In-cab control standard	
In-Cab Density System	N/A	Optional		Standard	
PICKUP					
Standard Width, Tine to Tine	44.6 in. (1133 mm)	71 in. (1800 mm)		82 in. (2070 mm)	71 in. (1800 mm)
Pickup Type	Direct feed	Overshot feeder		Undershot rotor	
Pickup Protection	Breakaway chain	Radial pin clutch		Radial pin clutch	
Gauge Wheels (Std./Opt.)	Single wheel on left, optional wheel on right	No-tools adjustable/No option		Fixed/Castering	
Tine Bars	4 bar		5 bar	5 solid bars	
Width, Tine to Tine	44.7 in. (113 cm)	71 in. (180 cm)	72 in. (180 cm)	81.5 in. (207 cm)	
Width, Flare to Flare	68 in. (174 cm)	79 in. (202 cm)	80 in. (202 cm)	90 in. (228.4 cm)	
Tine Spacing			2.6 in. (7 cm)		
Number of Tines	72 steel coil tine	112 steel coil tine	140 rubber-mounted	160 rubber-mounted	
Reel Diameter	12.4 in. (31.5 cm)	12 (30.5 cm)	13 (30.5 cm)	12.5 in. (31.5 cm)	
BELTS					
Type (Std./Opt.)	Standard-laced	Premium-laced/Endless	Endless		
Number of Belts	5			6	
Width			7 in. (178 mm)		
Length			343 in. (8712 mm)		
WRAPPING SYSTEM					
Net & Twine	Yes				
Twine Only	Yes				N/A
Net Only	No option				Yes
Twine Application	Single twine arm w/ dual twine tubes	Dual twine arms			
Twine Control	Automatic w/ electric driver				
Twine Box Capacity	4 active balls				6 balls
Net System	Front feeding net wrap system				
Net Control	Automatic w/ electric driver				
Net Wrap Capacity	1 active roll	1 active roll + 2 rolls in storage			
BALE RAMP					
Type	Spring-loaded				
TRACTOR REQUIREMENTS					
Minimum PTO HP Required	40	60	65	100	85
PTO Speed	540	540/1,000	540	540/1,000	
PTO Protection	Shear bolt	Cut-out clutch		Cut-out clutch	
Hydraulic Remote Required	1 to 2	2	2–4		2–3
DIMENSIONS & WEIGHTS*					
Overall Width	85 in. (2162 mm)	99 in. (2515 mm)		120 in. (3048 mm)	99 in. (2515 mm)
Overall Length (Tailgate Closed)	163 in. (4134 mm)	175 in. (4445 mm)			
Overall Height (Tailgate Closed)	100 in. (2534 mm)	105 in. (2667 mm)		112 in. (2845 mm)	
Overall Height (Tailgate Open)	146 in. (3709 mm)	153 in. (3886 mm)		161 in. (4089 mm)	
Weight	3,460 lb. (1569 kg)	6,790 lb. (3080 kg)		7,851 lb. (3561 kg)	7,498 lb. (3401 kg)
Standard Baler Tire Size	11L x 14, 6 ply	18L–16.1SL 10 PR			
Optional Baler Tire Size	31 x 13.5–15	31 x 13.5–15 8 PR			

ROUND BALERS

MODEL	RB465 HAY	RB465 SILAGE	RB465 ROTOR CUTTER	RB465 ROTOR FEEDER	RB565 PREMIUM BALER	RB565 PREMIUM HD
BALE SIZE						
Diameter	36–72 in. (914–1 829 mm)		36–70 in. (914–1 778 mm)		36–72 in. (914–1 829 mm)	
Width	46.5 in. (1 181 mm)				61.5 in. (1 562 mm)	
Weight	400–2,200 lb. (181–998 kg)			500–2,500 lb. (227–1 134 kg)		
Density Pressure Control	2 springs & 1 cylinder; In-cab control standard				2 springs & 2 cylinders; In-cab control opt.	
In-Cab Density System	Standard				Optional	
PICKUP						
Standard Width, Tine to Tine	71 in. (1 800 mm)		82 in. (2 070 mm)	71 in. (1 800 mm)		82 in. (2 070 mm)
Pickup Type	Overshot feeder		Undershot rotor		Overshot feeder	
Pickup Protection	Radial pin clutch		Radial pin clutch		Radial pin clutch	
Gauge Wheels (Std./Opt.)	No-tools adjustable/No option		Castering/No option		No-tools adjustable/Castering	
Tine Bars	4 bars		5 solid bars			
Width, Tine to Tine	71 in. (180 cm)		81.5 in. (207 cm)			
Width, Flare to Flare	79 in. (202 cm)		90 in. (228.4 cm)			
Tine Spacing	2.6 in. (7 cm)					
Number of Tines	112 Steel coil tine		160 rubber-mounted			
Reel Diameter	12 in. (30.5 cm)		12.5 in. (31.5 cm)			
BELTS						
Type (Std./Opt.)	Premium laced/Endless		Endless		Premium-laced/Endless	Endless
Number of Belts	6				8	
Width	7 in. (178 mm)					
Length	421 in. (10 693 mm)					
WRAPPING SYSTEM						
Net & Twine	Yes					
Twine Only	N/A					
Net Only	Yes					
Twine Application	Dual twine arms					
Twine Control	Automatic with electric drive					
Twine Box Capacity	6 balls					
Net System	Front feeding net wrap system					
Net Control	Automatic with electric drive					
Net Wrap Capacity	1 active roll + 2 rolls in storage					
BALE RAMP						
Type (Std./Opt.)	Spring-loaded/Hydraulic					
TRACTOR REQUIREMENTS						
Minimum PTO HP Required	70	75	105	90	85	
PTO Speed	540 / 1,000		540		540 / 1,000	
PTO Protection	Cut-out clutch					
Hydraulic Remote Required	2		2–4	2–3	2	
DIMENSIONS & WEIGHTS*						
Overall Width	99 in. (2 515 mm)		120 in. (3 048 mm)^	113 in. (2 870 mm)^	128 in. (3 251 mm)^	128.5 in. (3 26.3 cm)^
Overall Length (Tailgate Closed)	189 in. (4 801 mm)^					
Overall Height (Tailgate Closed)	114 in. (2 896 mm)		120 in. (3 048 mm)^		114 in. (2 896 mm)^	122.2 in. (310.3 cm)^
Overall Height (Tailgate Open)	167 in. (4 242 mm)		173 in. (4 394 mm)^		167 in. (4 242 mm)^	178.7 in. (454 cm)^
Weight	7,275 lb. (3 300 kg)		8,322 lb. (3 775 kg)^	7,970 lb. (3 615 kg)^	7,785 lb. (3 531 kg)^	7,450 lb. (3 379 kg)^
Standard Baler Tire Size	18L–16.1SL 10 PR					
Optional Baler Tire Size	21.5L×16.1 10 PR or 31×13.5–15 8 PR			21.5L×16.1 10 PR		

*With 18L Tires/Wheels ^With 21.5L Tires/Wheels

ROUND BALERS

MODEL	RB456 HD PRO		RB466 HD PRO	
POWER				
Type	Rotor Feeder	Rotor Cutter	Rotor Feeder	Rotor Cutter
BALE DIMENSIONS				
Diameter (Minimum/Maximum)	36–65 in. (90–165 cm)		36–75 in. (90–190 cm)	
Width	47.25 in. (120 cm)			
TRACTOR REQUIREMENTS				
Minimum PTO Power (HP)	100	120	100	120
PTO Speed	1,000			
Hydraulic Remotes Required	2			
Main Drive	T Drive split gearbox			
Protection	Cut-out clutch			
PICK-UP				
Standard Working Width	90 in. (2.3 m)			
Outside Width Tine-to-Tine	82 in. (2.07 m) 82 in. (2.07 m) 82 in. (2.07 m)◇			
Five Tine Bar Pick-Up with Rubber Tines	Standard			
Roller Windguard	Standard			
Flotation	Double adjustable spring			
Pick Up Protection	Radial pin clutch			
No Tools Adjust Pickup Gauge Wheels	Standard			
No Tools Adjust Castering Pickup Gauge Wheels	Option			
Gauge Wheels (15/6.00 - 6)	Standard			
Feeding System	Rotor diameter – 20.5 in (520 mm)			
Active Drop Floor	Standard			
Knives Options	–	13 / 25	–	13 / 25
Theoretical Cut Length	–	3.25 in. (83 mm)/1.6 in. (41 mm)	–	3.25 in. (83 mm)/1.6 in. (41 mm)
Knife Activation, In - Out	–	Hydraulic	–	Hydraulic
BALE FORMATION				
Type	Combination of rolls and belts			
Formation Rolls	2			
Belts	Four 10.4 in. (273 mm) endless			
Double Belt Drive	Standard			
Bale Shape Indicators	Standard			
Net Capacity	Once active plus two in storage			
BALE DENSITY SYSTEM				
Dual Density System	Standard			
Density Control	In-cab control through monitor			
BALER ELECTRONICS				
Isobus Connection Ready	Standard			
Pro 700 Monitor	Option			
Baler Automation System	Active with unlock code			
Moisture Sensor	Option			
Maximum Traveling Speeds	32 mph (50 kph)			
Bale Ramp	Spring			
BALER DIMENSIONS				
Length	192 in. (4.87 m)		202 in. (5.12 m)	
Width on 500/55-20 Tires	108 in. (2.74 m)			
Width on 620/40-22.5 Tires	115 in. (2.91 m)			

FORAGE EQUIPMENT

MODEL	FHX300 FORAGE CHOPPER
Number/Type of Knives	12 single edge hardened steel
Cutterhead, Type/Speed	Cylinder, 848 RPM
Cutterhead, Diameter	21 in. (533.4 mm)
Throat Opening	24 3/8 × 6 5/8 in. (619 × 167 mm)
Shearbar	Quick adjust, reversible, hard-faced on vertical and horizontal surfaces
Length of Cut	3/16 to 1 1/2 in. (5 to 37 mm)
Blower Speed	1,000 RPM
Recommended Max. Tractor HP	300 HP (224 kW)
Minimum PTO HP Required	180 HP (134.2 kW)
Knife Sharpener	3 in. (76.2 mm) manual, built-in
Recutter Screens	5 sizes available
Vertical Wheel Adjustment	6 in. (152 mm), 3 positions
Weight	5,130 lb. (2 325 kg)
Length	21 ft. 6 in. (6.5 m)
Height with Standard Spout	11 ft. 2 in. (3.4 m)
Width	10 ft. 8 in. (3.3 m)
Tire Size, Tandem Axle	11L x 15-15 6PR

MODEL	HDX3R CORN HEADER
Number of Rows	3
Row Spacing	28 to 32 in. (711 to 813 mm)
Drive Protection	Slip clutch
Type of Sickle	Rotary
Stalk Deflector	Standard
Power Divider	Standard (left and right)
Chain Size	#60 Roller chain
Overall Width	7 ft. 8 in. (2 337 mm)
Length	7 ft. 9 in. (2 362 mm)
Height	4 ft. 5 in. (1 346 mm)
Weight	2,030 lb. (921 kg)

MODEL	HDX20P PICKUP HEADER
Tine Width	7 ft. 8 in. (2.33 m)
Pickup Width	8 ft. 2.5 in. (2.5 m)
Overall Width	9 ft. 9.5 in. (2.98 m)
Total Unit Width, w/ Roller & Gauge Wheels	144 Rubber Mtd.
Number of Tines	Chain/Gear Set
Pickup Drive	20 in. (508 mm)
Auger Outside Diameter	#80 Roller Chain
Auger Drive	Slip Clutch
Overload Protection	Fully Adjustable
Windguard	Standard (left and right)
Approximate Weight	1,200 lb. (544 kg)

WHEEL RAKES

MODEL	WR102	WR102	WR102	WR201	WR201	WR302	WR302	WR302
FINGER WHEELS								
Number of Finger Wheels	8	10	12	8	10	12	14	16
Finger Wheel Diameter (Standard/Optional)	55 in. (1.4 m)					55 in. (1.4 m)/60 in. (1.52m)		
Number of Teeth Per Wheel	40							
Finger Wheel Tine Diameter	9/32 in. (7 mm)					7 mm on 55 in. wheel/7.5 mm on 60 in. wheel		
Finger Wheel Hub Bearing Type	Tapered roller – greaseable			Greaseable, heavy-duty tapered roller bearings				
Finger Wheel Spacing (Center to Center)	30.8 in. (782 mm)							
SPECIFICATIONS								
Transport Wheel Size & Quantity	Two 205/75-15			Four 205/75-15			Six 205/75-15	
Number of Raking Settings	8/10			12/14/16				
High Clearance Wheel Frame Design	Yes							
Horizontal Wheel Frame Transport Position	Yes			4 in. x 4 in.		4 in. x 6 in.		
Safety Tow Chain	Standard							
Maximum Operating Speed	9 mph (15 kph)			14 mph (22.5 kph)				
HITCH								
Hitch Type	Clevis							
TRACTOR REQUIREMENTS								
Minimum PTO HP Required	30		50		30		40	
Hydraulic Remotes Required	1 standard (2 standard if equipped with hydraulic angle adjust)			2		2 standard (3 if equipped with hydraulic rear opening kit)		
DIMENSIONS & WEIGHTS								
Overall Transport (Length/Width)	19 ft. (5.8 m)/8 ft. 5 in. (2.6 m)		22 ft. (6.7 m)/8 ft. 5 in. (2.6 m)		8 ft. 4 in. (2.55 m)			
Minimum Transport Height	6.07' (1.85 m)			6.40' (1.95 m)				
Width—Outside of Tires	8.36' (2.55 m)							
Working Width (Minimum/Maximum)	16 ft. 4 in. (5.0 m)/18 ft. (5.5 m)	19 ft. (5.8 m)/21 ft. (6.4 m)	21 ft. 8 in. (6.6 m)/24 ft. 6 in. (7.5 m)	17 ft. 5 in. (5.3 m)	20 ft. 4 in. (6.2 m)	25 ft. (7.6 m)	28 ft. 6 in. (8.7 m)	31 ft. (9.4 m)
Windrow Width (Minimum/Maximum)	3 ft. (0.9 m)/6 ft. 7 in. (2.0 m)			3–6 ft. (0.9–1.8 m)				
Operating Weight	1,675 lb. (760 kg)	1,875 lb. (850 kg)	2,115 lb. (960 kg)	2,425 lb. (1 100 kg)	2,750 lb. (1 247 kg)	3,700 lb. (1 680 kg)	5,020 lb. (2 280 kg)	5,285 lb. (2 363 kg)
OPTIONAL EQUIPMENT								
Center Kicker Wheel	Optional							
Center Kicker Wheel Diameter	50 in. (1.26 m)							
Number of Teeth Per Wheel	40							
Center Kicker Wheel Tine Diameter	9/32 in. (7 mm)							
Center Kicker Wheel Lift Type	Hydraulic with lock-out							
Center Kicker Wheel Suspension	Spring							
Hydraulic Control of Windrow Width	Available							

SAFETY NEVER HURTS!™ Always read the Operators Manual before operating any equipment. Inspect equipment before using it, and be sure it is operating properly. Follow the product safety signs, and use any safety features provided. CNH Industrial America LLC reserves the right to make improvements in design and changes in specifications at any time without notice and without incurring any obligation to install them on units previously sold. Specifications, descriptions and illustrative material herein are as accurate as known at time of publication, but are subject to change without notice. Availability of some models and equipment builds varies according to the country in which the equipment is used.

