

Art's Way

Since 1956



Art's-Way Manufacturing Co., Inc.

Model 7165 CATTLEMAXX
Grinder/Mixer

Illustrated Parts List
623720

Issued April 2017



This symbol means ATTENTION! BECOME ALERT! YOUR SAFETY IS INVOLVED. The message that follows the symbol contains important information about your safety. Carefully read the message. Make sure you fully understand the causes of possible injury or death.

IF THIS MACHINE IS USED BY AN EMPLOYEE, IS LOANED, OR IS RENTED, MAKE SURE THAT THE OPERATOR UNDERSTANDS THE TWO INSTRUCTIONS BELOW.

BEFORE THE OPERATOR STARTS THE ENGINE:

GIVE INSTRUCTIONS TO THE OPERATOR ON SAFE AND CORRECT USE OF THE MACHINE.

MAKE SURE THE OPERATOR READS AND UNDERSTANDS THE OPERATOR'S MANUAL FOR THIS MACHINE.

 **WARNING**

IMPROPER OPERATION OF THIS MACHINE CAN CAUSE INJURY OR DEATH.

BEFORE STARTING THE ENGINE, DO THE FOLLOWING:

1. READ THE OPERATOR'S MANUAL.
2. READ ALL SAFETY DECALS ON THE MACHINE.
3. CLEAR THE AREA OF OTHER PERSONS.
4. LEARN AND PRACTICE SAFE USE OF MACHINE CONTROLS IN A SAFE AND CLEAR AREA BEFORE YOU OPERATE THIS MACHINE ON A JOB SITE.

It is your responsibility to observe pertinent laws and regulations and to follow manufacturer's instructions on machine operation and maintenance.

See your Authorized Art's-Way Manufacturing Co., Inc. dealer or Art's-Way Manufacturing Co., Inc. for additional operator's manuals, illustrated parts catalogs, and service manuals.

TO THE OWNER

Congratulations on the purchase of your new Art's-Way Grinder/Mixer. You have selected a top quality machine that is designed and built with pride to ensure you have many years of efficient and reliable service.

Many people have worked on the design, production, and delivery of this Grinder/Mixer. The information in this manual is based on the knowledge, study, and experience through years of specializing in the manufacturing of farm machinery. This manual is designed to provide you with important information regarding safety, maintenance, and machine operation so you can and will get the best possible performance from your Grinder/Mixer.

Even if you are an experienced operator of this or similar equipment, we ask that you read this manual before operating this Grinder/Mixer. The way you operate, adjust, and maintain this unit will have much to do with its successful performance. Any further questions you may have about this product of Art's-Way equipment should be directed to your local Art's-Way dealer or to Art's-Way Manufacturing Co., Inc., Armstrong, Iowa, 50514, (712) 864-3131.

SPECIFICATIONS AND DESIGN ARE SUBJECT TO CHANGE WITHOUT NOTICE

Art's-Way Manufacturing Co., Inc. is continually making product improvements. In doing so, we reserve the right to make changes and/or add improvements to our products without obligation for the equipment previously sold.

Modifications to this Grinder/Mixer may affect the performance, function, and safety of its operation. Therefore, no modifications are to be made without the written permission of Art's-Way Manufacturing Co., Inc. Any modification made without the written permission of Art's-Way Manufacturing Co., Inc. shall void the warranty of this product.

In the interest of continued safe operation of this Grinder/Mixer, pay particular attention to the safety alert symbol(s) throughout this manual.

Art's-Way Manufacturing Co., Inc. STATEMENT OF PRODUCT LIABILITY

Art's-Way Manufacturing Co., Inc. recognizes its responsibility to provide customers with a safe and efficient product. Art's-Way Manufacturing Co., Inc., attempts to design and manufacture its products in accordance with all accepted engineering practices effective at the date of design. This statement should not be interpreted to mean that our products will protect against the user's own carelessness or failure to follow common safety practices nor will Art's-Way Manufacturing Co., Inc., be liable for any such act. In addition, Art's-Way Manufacturing Co., Inc., assumes no liability for any altered product or any modified product by users or anyone other than an authorized dealer.

IMPORTANT WARRANTY INFORMATION

The warranty for this Grinder/Mixer appears on page 6 of this manual. In order to establish proper warranty registration, the Warranty Registration must be completed and returned to the factory. Failure to comply with this requirement will result in invalidating the warranty!

LIMITATIONS OF THIS MANUAL

This manual contains operating instructions for your 7165 CATTLEMAXX Grinder/Mixer only. Any mention of other machinery in this manual other than the 7165 CATTLEMAXX Grinder/Mixer is for reference only. This manual does not replace nor is it to be used for any machinery that may be attached to or used in conjunction with the 7165 CATTLEMAXX Grinder/Mixer.

PARTS & SERVICE

As the purchaser of your new grinder/mixer, it is very important to consider the following factors:

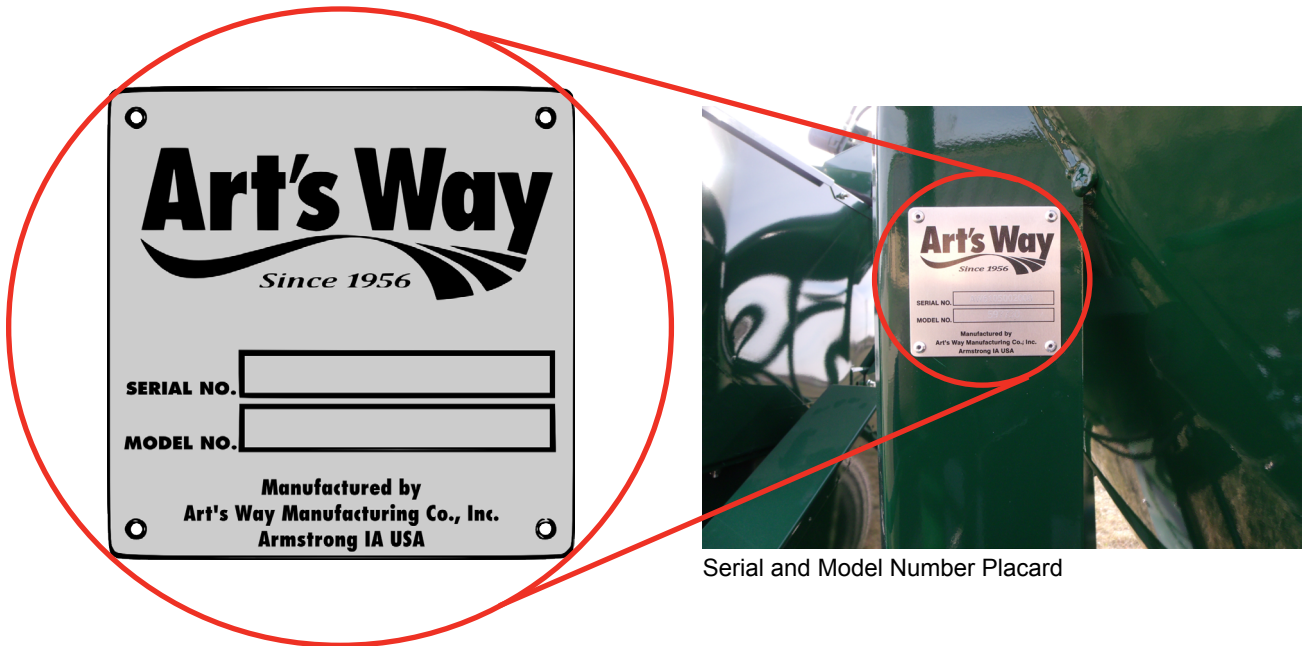
A. Original Quality

B. Availability of Service Parts

C. Availability of Adequate Service Facilities

Art's-Way Manufacturing Co., Inc. has an excellent dealership network ready to answer any questions you may have about your grinder/mixer. Parts for your machine may be ordered through our dealers. When placing a parts order, please have the **model** and **serial number** ready. This will allow the dealer to fill your order as quickly as possible.

For your convenience, we have provided this space for you to record your model number, serial number, and the date of purchase, as well as your dealer's name and address.



Serial and Model Number Placard

TABLE OF CONTENTS

TO THE OWNER	1
SPECIFICATIONS AND DESIGN ARE SUBJECT TO CHANGE WITHOUT NOTICE	1
Art's-Way Manufacturing Co., Inc. STATEMENT OF PRODUCT LIABILITY	1
IMPORTANT WARRANTY INFORMATION	1
LIMITATIONS OF THIS MANUAL	1
PARTS & SERVICE	2
TABLE OF CONTENTS	3-5
LIMITED WARRANTY	6
SAFETY FIRST	7
NOTICES OF DANGER, WARNING, AND CAUTION	7
SAFETY INSTRUCTIONS	8
GENERAL	8
BEFORE OPERATING	9
DURING OPERATION	9
MAINTENANCE SAFETY	9
HYDRAULIC SAFETY	10
TRANSPORTATION SAFETY	10
STORAGE SAFETY	10
TIRE SAFETY	11
ASSEMBLY SAFETY	11

TABLE OF CONTENTS	
NAME	PAGE
540 RPM DRIVE SHAFT (380690) ASSEMBLY	14
540 RPM DRIVE SHAFT (617200) ASSEMBLY	16
1000 RPM DRIVE SHAFT (617210) ASSEMBLY	18
1000 RPM DRIVE SHAFT (617220) ASSEMBLY	20
PAINT AND DECALS	22
LIGHTS ASSEMBLY	24
MISC. TANK PARTS ASSEMBLY	26
MIXING AUGER ASSEMBLY	28
GEARBOX ASSEMBLY	30
LOWER DRIVE & GEARBOX ASSEMBLY	32
WHEELS, AXLES, & FENDERS ASSEMBLY	34
LOWER DISCHARGE ASSEMBLY	36
MIDDLE DISCHARGE ASSEMBLY	38
UPPER DISCHARGE ASSEMBLY	40
UPPER DISCHARGE ASSEMBLY, (CONTINUED)	42
HOOD ASSEMBLY	44
MILL TO MIXER AUGER ASSEMBLY	46
30" ROLLERMILL WITH OFFSET HOPPER ASSEMBLY	48
30" ROLLERMILL ASSEMBLY	50
540 RPM 30" ROLLERMILL DRIVE ASSEMBLY	52
540 RPM 30" ROLLERMILL DRIVE ASSEMBLY, (CONTINUED)	54
30" ROLLERMILL BELT DRIVE ASSEMBLY	56
30" NEW OR RE-GROOVED ROLLS	58
30" OFFSET HOPPER W/O AUGER FEEDER COVER ASSEMBLY	60
30" OFFSET HOPPER W/ AUGER FEEDER COVER ASSEMBLY	62
SUPPLEMENT HOPPER ASSEMBLY	64
HYDRAULIC AUGER FEEDER ASSEMBLY	66
HYDRAULIC AUGER FEEDER ASSEMBLY, (CONTINUED 1)	68
HYDRAULIC AUGER FEEDER ASSEMBLY, (CONTINUED 2)	70
FOLDING DISCHARGE AUGER EXTENSION ASSEMBLY	72
BOLT-ON DISCHARGE AUGER EXTENSION ASSEMBLY	74
SCALE ARM ASSEMBLY	76
HYDRAULICS TO TRACTOR ASSEMBLY	78
HYDRAULICS TO TRACTOR SELECTOR VALVE ASSEMBLY	80
HYDRAULICS TO TRACTOR NON-SELECTOR VALVE AUGER/ROLL FEEDER	82
REMOTE ACTUATOR CONTROL BOX ASSEMBLY	84
ACTUATOR ASSEMBLY	86
HYDRAULIC TANK & COOLER ASSEMBLY	88
HYDRAULIC TANK & COOLER ASSEMBLY, (CONTINUED)	90
RESERVOIR TANK ASSEMBLY	92
HYDRAULIC MANIFOLD VALVE DESCRIPTIONS	94

<u>TABLE OF CONTENTS</u>	
HYDRAULIC MANIFOLD VALVE ASSEMBLY	96
CONTROL BOX SYSTEM ASSEMBLY	98
CONTROL BOX ASSEMBLY	100
HARNESS ASSEMBLY	102
HARNESS EXTENSION ASSEMBLY	104
TRACTOR HYDRAULIC SCHEMATIC	106
SELF-CONTAINED HYDRAULIC SCHEMATIC	107
SELF CONTAINED ELECTRIC SCHEMATIC	108
WIRING HARNESS ELECTRIC SCHEMATIC	109
RECEIVER ELECTRIC SCHEMATIC	110
HARNESS EXTENSION ELECTRIC SCHEMATIC	111
AUGER FEEDER, SWING, & DISCHARGE HYDRAULIC MOTOR KITS	112
AUGER FEEDER & ROLL FEED FLOW CONTROL VALVE ASSEMBLY	114

LIMITED WARRANTY

Refer to the operator's manual for warranty information.

SAFETY FIRST

SAFETY INSTRUCTIONS

“A careful operator is the best insurance against an accident.” Quote from the National Safety Council.

Most accidents can be prevented if the operator:

1. Fully understands how the machine functions.
2. Can anticipate situations which may produce problems.
3. Can make necessary corrections before problems develop.

**THIS SYMBOL MEANS ATTENTION!
BECOME ALERT!
YOUR SAFETY IS INVOLVED!**



- Universal Safety Alert Symbol

The American Society of Agricultural Engineers has adopted the Universal Safety Alert Symbol as a way to identify areas of potential danger if the equipment is not operated correctly. Please be alert whenever you see this symbol in the manuals or on your grinder/mixer.

Art's-Way Manufacturing Co., Inc. strives to make our equipment as safe as possible. The Art's-Way 7165 CATTLEMAXX Grinder/Mixer conforms to applicable safety standards at the time of manufacturing. A safety conscious equipment operator makes an effective accident-prevention program complete.

Safety features and instructions for the grinder/mixer are detailed in the Safety Guidelines section of this Operator's Manual. It is the responsibility of the owner to ensure that all operators read and understand the manual before they are allowed to operate the grinder/mixer. (Occupational Safety and Health Administration (OSHA) regulations 1928.57).

NOTICES OF DANGER, WARNING, AND CAUTION

Signal Words: Note the use of signal words **DANGER**, **WARNING**, and **CAUTION** on the grinder/mixer and in this manual. The appropriate signal word for each has been selected using the following guidelines:

! DANGER

Indicates a hazardous situation which, if not avoided, will result in death or serious injury.

! WARNING

Indicates a hazardous situation which, if not avoided, could result in death or serious injury.

! CAUTION

Indicates a potentially hazardous situation which, if not avoided, could result in minor or moderate injury.

NOTICE

NOTICE is used to address practices not related to physical injury.

SAFETY INSTRUCTIONS

Safety instructions (or equivalent) signs indicate specific safety-related instructions or procedures.

Note: Contains additional information important to a procedure and will be found within the regular text body of this manual.

GENERAL

SAFETY INSTRUCTIONS

Most work related accidents are caused by failure to observe basic safety rules or precautions. An accident can often be avoided by recognizing potentially hazardous situations before an accident occurs. As you operate and maintain the grinder/mixer you must be alert to potential hazards. You should also have the necessary training, skills, and tools to perform any assembly procedure.

Improper operation and/or maintenance of this unit could cause a dangerous situation that results in injury or death.

Do not use this unit until you read and understand the information contained in this manual. Do not use this equipment for anything other than its intended purpose.



Safety precautions and warnings are provided in this manual and on the unit. If these hazard warnings are not heeded, bodily injury or death could occur to you or to other persons.

Art's-Way Manufacturing Co., Inc. cannot anticipate every possible circumstance that might involve a potential hazard. The warnings in this manual and on the product are, therefore, not all-inclusive. If a method of operation not specifically recommended by us is used, you must satisfy yourself that it is safe for you and for others. You should also ensure that the unit will not be damaged or be made unsafe by the methods that you choose.

The information, specifications, and illustrations in this manual are based on the information that was available at the time this material was written and can change at any time.

Safety Alert Symbols



death.

This is the safety alert symbol. It is used to alert you to potential personal injury hazards. Obey all safety messages that follow this symbol to avoid possible injury or

This manual contains DANGERS, WARNINGS, CAUTIONS, NOTICES, SAFETY INSTRUCTIONS, and NOTES which must be followed to prevent the possibility of improper service, damage to the equipment, personal injury, or death. The following key words call the readers attention to potential hazards.

Hazards are identified by the "Safety Alert Symbol" and followed by a signal word such as "DANGER", "WARNING", or "CAUTION".

**SAFETY
INSTRUCTIONS**

**Remember:
"The Best Operator is a Safe Operator"**

CAUTION



Read and understand the operator's manual and all the safety decals before operating the grinder/mixer. Review all safety instructions with all operators annually.

BEFORE OPERATING

SAFETY
INSTRUCTIONS

Do not wear loose fitting clothing as it may catch in moving parts.



Make sure all guards and shields are installed, including the tractor power take-off (PTO) master shield, before starting or operating the grinder/mixer.



Be sure that the correct implement driveline parts are used and that they are properly secured.

Lower the lifter wheels when the grinder/mixer is not in use.

Install safety chain when attaching the grinder/mixer to the tractor.



Clear the area of bystanders, especially children, when making repairs, adjustments, or performing maintenance on the grinder/mixer.



Do not allow riders.

Put all tractor and machine controls in “neutral” and disengage the PTO before starting. Follow the starting instructions according to the OEM tractor manual.



Operate the grinder/mixer only while seated on the tractor seat.



Make sure the unit is adequately supported with safety blocks or safety stands when changing tires or performing maintenance.

DURING OPERATION

CAUTION



Entanglement Hazard
Keep hands, feet, hair, and clothing away from moving parts. Wait for all movement to stop before approaching equipment.

Before making adjustments:

1. Shut off the tractor,
2. Set parking brake,
3. Put machine in neutral, and
4. Remove key while making adjustments.



Keep all shields and guards in place and in good working condition.



Keep all bystanders, especially children, away from the grinder/mixer while in operation.



Do not allow riders while the grinder/mixer is in operation.



Do not attempt to unclog, clean, or adjust the grinder/mixer while it is running.



Stay away from overhead power lines. Electrocutation can occur even without direct contact.



Keep all hydraulic lines, fittings, and couplers tight and free of leaks. (Refer to Safety Guidelines – Hydraulic Safety).



Use caution when ascending or descending on the grinder/mixer. Wet shoes or boots are slippery.

MAINTENANCE SAFETY

SAFETY
INSTRUCTIONS

Follow all operating, maintenance, and safety instructions found in this Manual.



Before servicing, adjusting, repairing, or unclogging the machine, always make sure the tractor engine is stopped, key in your pocket, the machine is lowered to the ground, all controls are placed in neutral, the parking brake is set, and all the moving parts have stopped.



Use sufficient tools, jacks, and hoists that have the capacity for the job.



Use support blocks or safety stands when changing tires or performing maintenance.



Follow good shop practices of keeping the service area clean and dry, and use adequate light for the job at hand.



Before applying pressure to the hydraulic system, make sure all lines, fittings, and couplers are tightly secured and in good condition.



Make sure all shields/guards are in place and properly secured when performing maintenance.

HYDRAULIC SAFETY

SAFETY INSTRUCTIONS

Follow all operating, maintenance, and safety instructions found in this Manual.

Make sure components in the hydraulic system are kept clean and in good working condition.



Relieve pressure from the hydraulic system before servicing or disconnecting from the tractor.



Keep all hydraulic lines, fittings, and couplers tightly secured and free of leaks.



Replace any worn, cut, abraded, flattened, or crimped hoses.



Do not make any temporary repairs to the hydraulic lines, fittings, or hoses using tape, clamps, or cement. The hydraulic system operates under extremely high pressure and temporary repairs may fail suddenly and create a hazardous/dangerous situation.



Wear proper hand and eye protection when searching for a high-pressure hydraulic leak. Use a piece of wood or cardboard as a backstop instead of hands to identify and isolate a leak. If injured by a concentrated high-pressure stream of hydraulic fluid, seek medical attention immediately. Serious infection or toxic reaction can develop if hydraulic fluid penetrates the surface of the skin.



Before applying pressure to the system, make sure all components are tight and that the hydraulic lines, hoses, and couplings are not damaged.

TRANSPORTATION SAFETY

SAFETY INSTRUCTIONS

Follow all operating and safety instructions found in this manual when transporting this equipment.

Make sure the grinder/mixer complies with all local regulations regarding transporting equipment on public roads and highways.



Make sure the Slow Moving Vehicle (SMV) emblem and all lights and reflectors required by local highway and transportation authorities are properly in place, clean, and clearly visible to traffic.



Do not allow riders on any machinery during transport.

Make sure the grinder/mixer is securely attached to the tractor and install a safety chain to the grinder/mixer.

Make sure the tractor brake pedals are latched together.

Do not exceed 20 mph (32 km/h) when transporting the grinder/mixer. Always reduce speed on rough roads and surfaces, or when going down inclines.

Use caution when turning and always use the turn signals on the tractor to indicate your turning intentions to the other traffic.

The weight of the trailed machine should NEVER exceed the weight of the towing vehicle.

Check all clearances carefully whenever the machine is towed.

Lower the elevator into the transport position before transporting the grinder/mixer on the highway.



Stay away from overhead obstructions and power lines during transport. Electrocutation can occur even without direct contact.

STORAGE SAFETY

SAFETY INSTRUCTIONS

Follow all operating and safety instructions found in this manual when storing this equipment.



Store the grinder/mixer in an area away from human activity.



Do not permit children to play on or around the stored machine at any time.

Make sure that the grinder/mixer is stored in an area with a firm and level base to prevent the machine from tipping or sinking into the ground.



Block the wheels to prevent the machine from rolling.

TIRE SAFETY**SAFETY
INSTRUCTIONS**

Follow all operating and safety instructions found in this manual when working around tires.

Have only a qualified tire dealer or tire repair service perform tire repairs.

Do not attempt to install a tire on a wheel or rim unless you have the proper equipment and experience to do the job.

Do not substitute tires with a lesser road rating and/or capacity for the original equipment tires.

WARNING

Explosive Force Hazard
Tire replacement, repair, and/or maintenance should be done by a qualified tire dealer or qualified repair service.

Failure to follow proper procedures when installing a tire on a wheel or rim can produce an explosive force that will result in serious injury or death.

Do not attempt to install a tire without proper equipment and experience to perform the job.

ASSEMBLY SAFETY**SAFETY
INSTRUCTIONS**

Follow all assembly, operating, and safety instructions found in this manual when assembly this equipment.



Use adequate manpower to perform assembly procedures safely.

Assemble the grinder/mixer in an area with sufficient space to maneuver the largest components and allow easy access to all sides of the machine.



Use only forklifts, lift cranes, jacks, and tools with sufficient capacity for the loads.

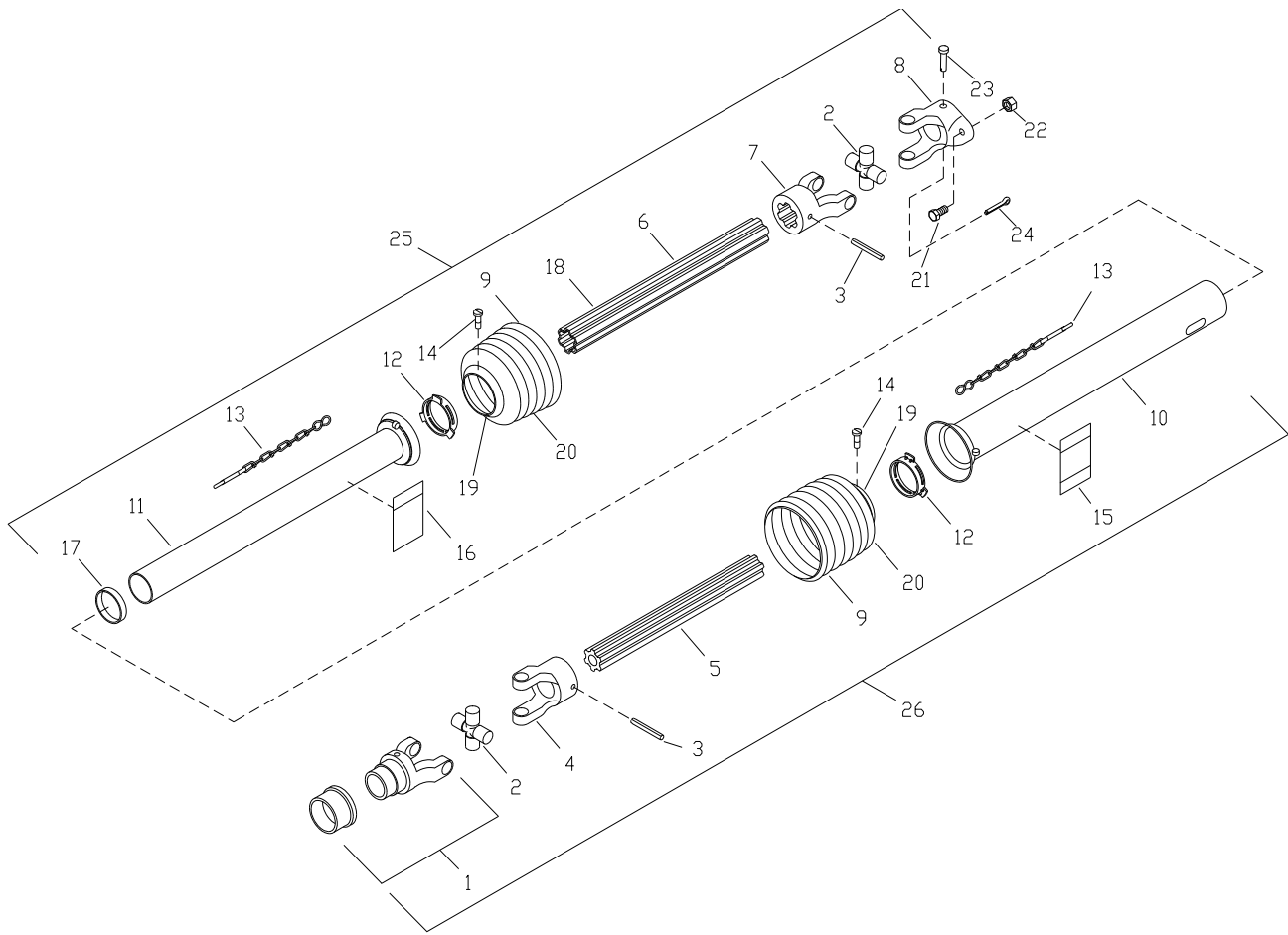


Do not allow spectators, especially children, in the working area.

**THIS PAGE
LEFT
INTENTIONALLY
BLANK**

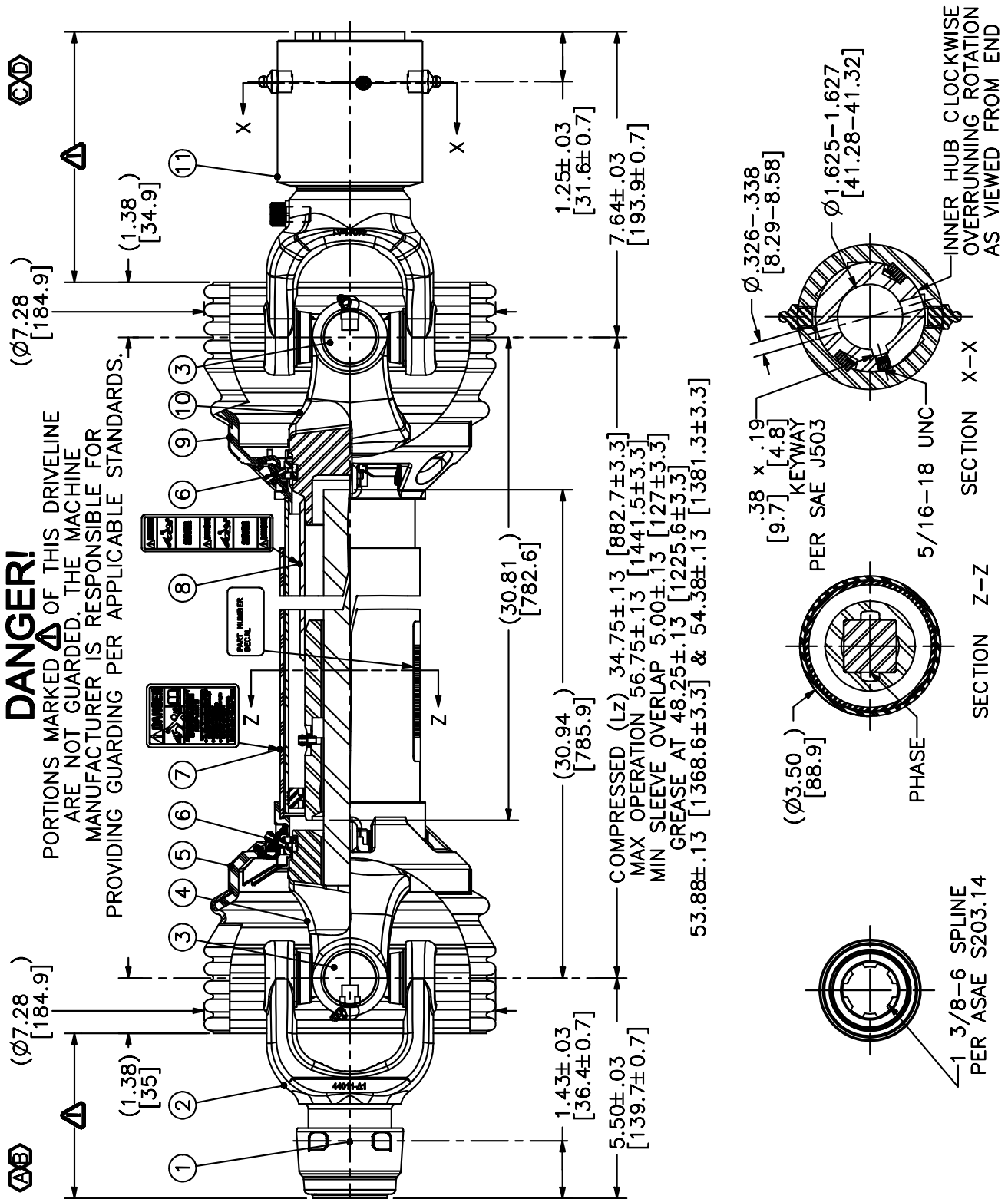
SECTION 1: GRINDER/MIXER

540 RPM DRIVE SHAFT (380690) ASSEMBLY



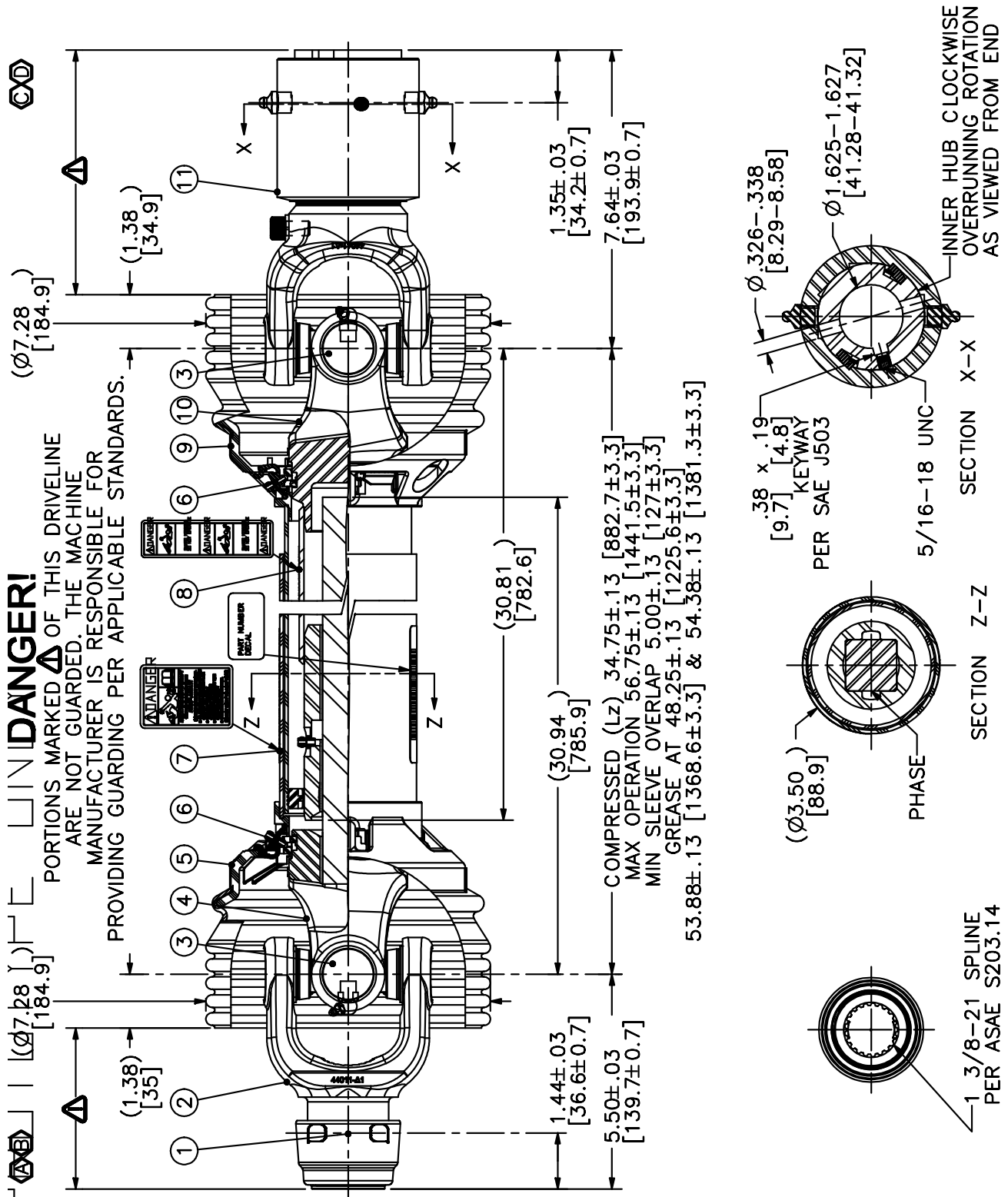
ITEM NO.	PART NUMBER	DESCRIPTION	QTY.
1	340130	YOKE, 1-3/8 – 6 SPL AS	1
2	182230	KIT, CROSS & BEARING	2
3	196740	PIN, SPRING 10 X 90	2
4	196730	YOKE, INBOARD	1
5	355700	SHAFT, INNER PROFILE	1
6	355710	TUBE, OUTER PROFILE	1
7	196770	YOKE, INBOARD	1
8	379840	YOKE, 1-5/8" R8, 3/8 K-WAY	1
9	340140	SHIELD, CONE 7 RIB	1
10	383190	TUBE, OUTER SHIELD	1
11	355730	TUBE, INNER SHIELD	1
12	182900	RING, SC 24 BEARING	2
13	182890	CHAIN, SAFETY	2
14	345980	SCREW, SHIELD (IN ITEM 9)	2
15	340170	DECAL, DANGER ROTATING DRIVE LINE	1
16	340180	DECAL	1
17	340190	SUPPORT BEARING	1
18	196890	ZERK, 3/16 DRIVE GREASE (IN ITEM 6)	1
19	349250	REINFORCED COLLAR	2
20	340210	KIT, SLIDE COLLAR	1
21	029930	BOLT, HHCS 3/8-16 X 2-1/4 GR5 ZN	1
22	E552044	NUT, LOCK 3/8-16 ZN	1
23	036480	PIN, CLEVIS	1
24	020700	PIN, COTTER	1
25	383180	PTO, IMPLEMENT HALF 1-5/8"	1
26	383170	PTO, TRACTOR HALF 1-3/8" 6-SPLINE	1

540 RPM DRIVE SHAFT (617200) ASSEMBLY



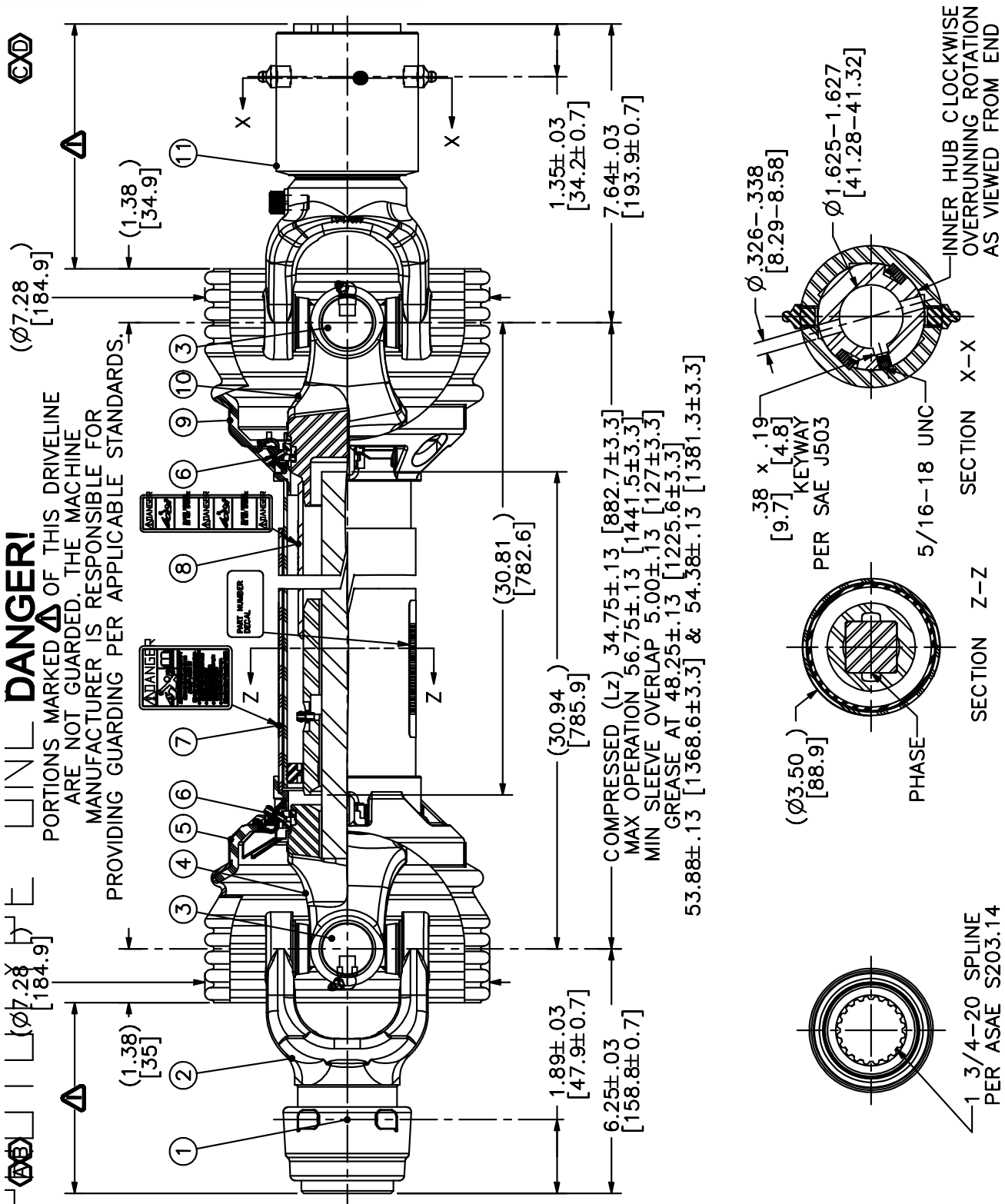
ITEM NO.	PART NUMBER	DESCRIPTION	QTY.
A	93-27401	JOINT & SHAFT HALF, GUARDED	1
B	95-27401	JOINT & SHAFT HALF	1
C	92-27401	JOINT & TUBE HALF, GUARDED	1
D	94-27401	JOINT & TUBE HALF	1
1	26-15120	REPAIR KIT, SSL/AUTO-LOK	1
2	44011-1006	YOKE, 44, SLIDE LOCK	1
3	03-10089	CROSS KIT, 44R	2
4	99-27401	YOKE & SHAFT (1.31 SQUARE)	1
5	97-27401	OUTER GUARD	1
6	19-15121	GUARD REPAIR KIT	2
7	13-10021	SAFETY SIGN	1
8	13-10022	SAFETY SIGN	1
9	96-27401	INNER GUARD	1
10	98-27401	YOKE, TUBE & SLIP SLEEVE	1
11	39-10215	CLUTCH, 44, OVERRUNNING	1

1000 RPM DRIVE SHAFT (617210) ASSEMBLY



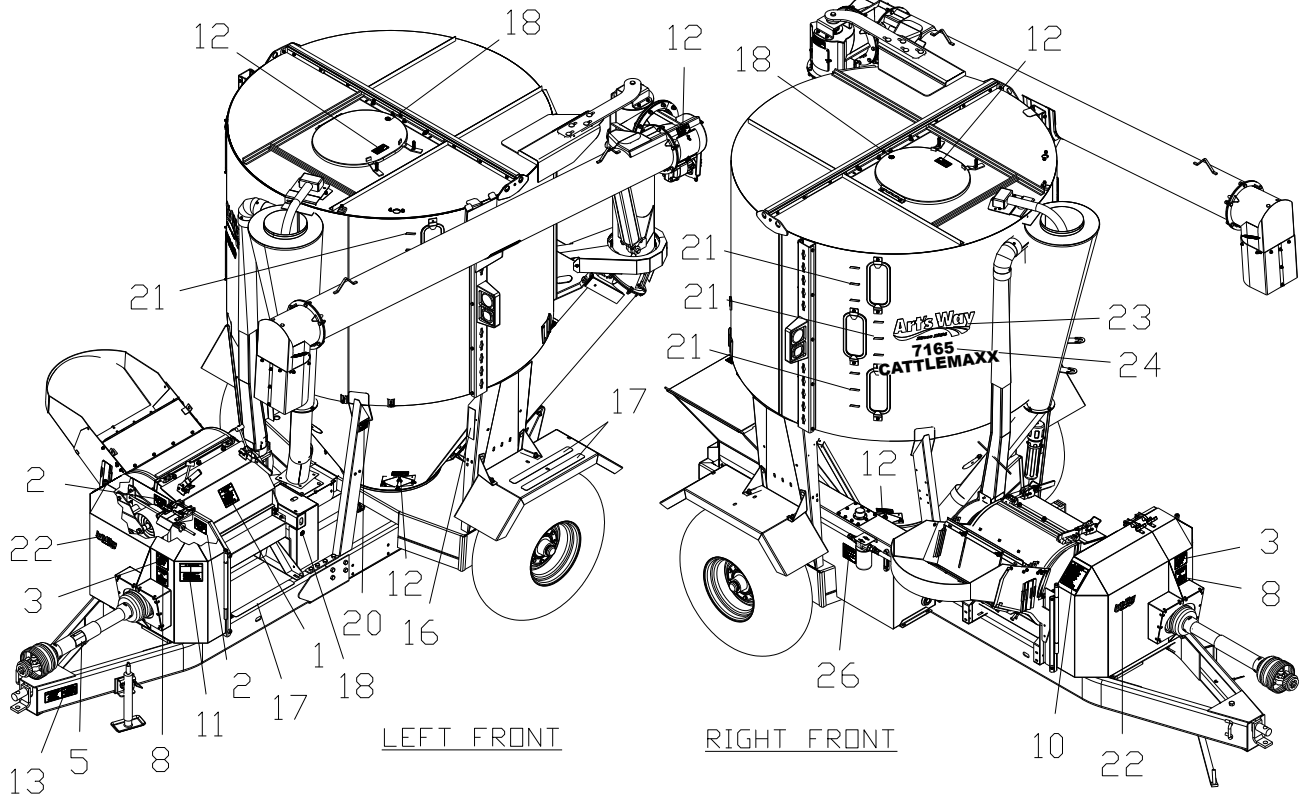
ITEM NO.	PART NUMBER	DESCRIPTION	QTY.
A	93-27402	JOINT & SHAFT HALF, GUARDED	1
B	95-27402	JOINT & SHAFT HALF	1
C	92-27401	JOINT & TUBE HALF, GUARDED	1
D	94-27401	JOINT & TUBE HALF	1
1	26-15120	REPAIR KIT, SSL/AUTO-LOK	1
2	44011-1007	YOKE, 44, SLIDE LOCK	1
3	03-10089	CROSS KIT, 44R	2
4	99-27401	YOKE & SHAFT (1.31 SQUARE)	1
5	97-27401	OUTER GUARD	1
6	19-15121	GUARD REPAIR KIT	2
7	13-10021	SAFETY SIGN	1
8	13-10022	SAFETY SIGN	1
9	96-27401	INNER GUARD	1
10	98-27401	YOKE, TUBE & SLIP SLEEVE	1
11	39-10215	CLUTCH, 44, OVERRUNNING	1

1000 RPM DRIVE SHAFT (617220) ASSEMBLY



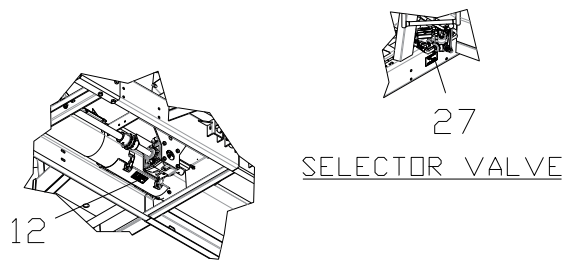
ITEM NO.	PART NUMBER	DESCRIPTION	QTY.
A	93-27404	JOINT & SHAFT HALF, GUARDED	1
B	95-27404	JOINT & SHAFT HALF	1
C	92-27401	JOINT & TUBE HALF, GUARDED	1
D	94-27401	JOINT & TUBE HALF	1
1	26-13387	REPAIR KIT, SLIDE LOCK/AUTO-LOK	1
2	44211-1004	YOKE, 44, SLIDE LOCK	1
3	03-10089	CROSS KIT, 44R	2
4	99-27401	YOKE & SHAFT (1.31 SQUARE)	1
5	97-27401	OUTER GUARD	1
6	19-15121	GUARD REPAIR KIT	2
7	13-10021	SAFETY SIGN	1
8	13-10022	SAFETY SIGN	1
9	96-27401	INNER GUARD	1
10	98-27401	YOKE, TUBE & SLIP SLEEVE	1
11	39-10215	CLUTCH, 44, OVERRUNNING	1

PAINT AND DECALS



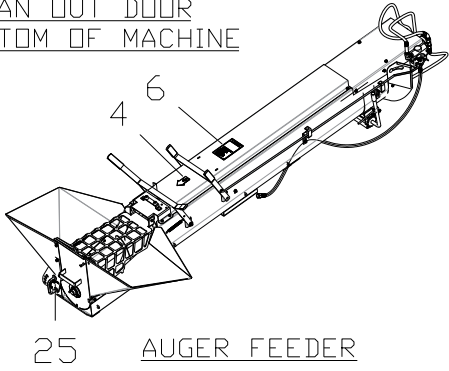
LEFT FRONT

RIGHT FRONT

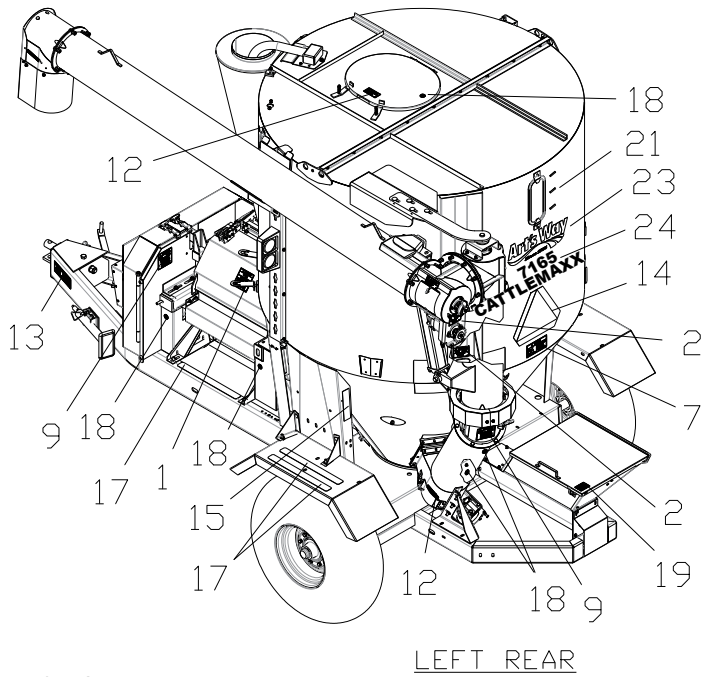


SELECTOR VALVE

CLEAN OUT DOOR
BOTTOM OF MACHINE



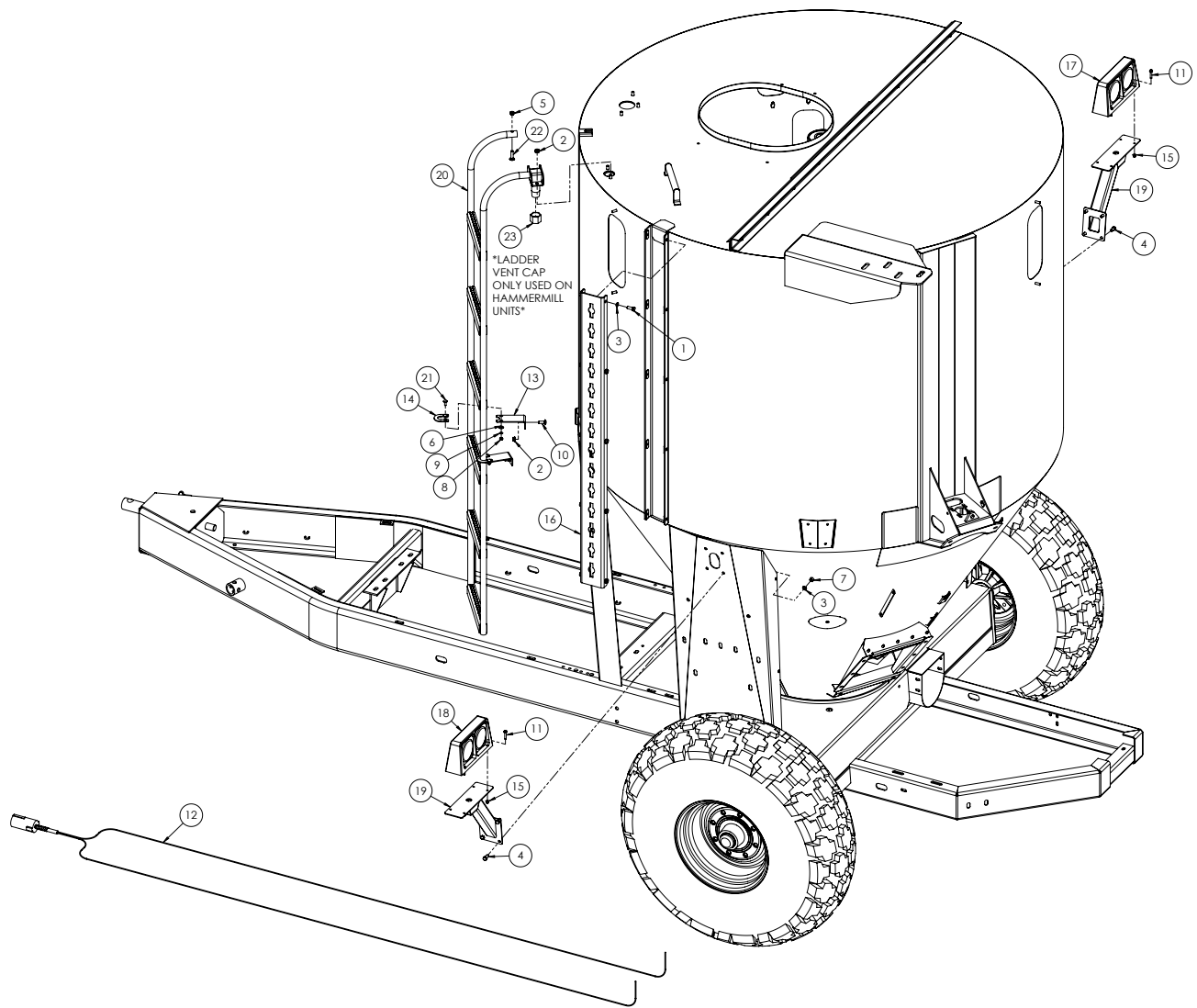
AUGER FEEDER



LEFT REAR

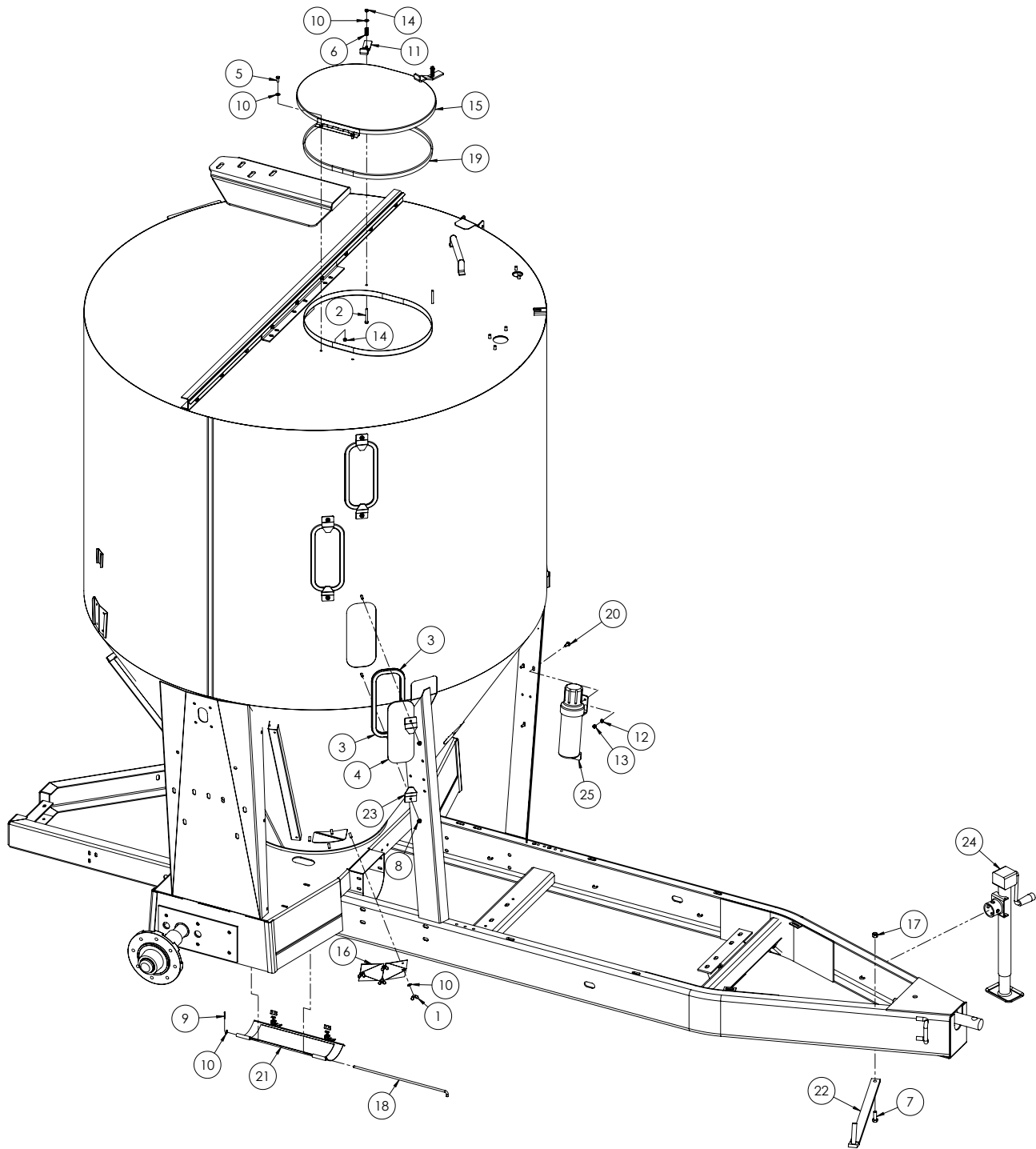
ITEM NO.	PART NUMBER	DESCRIPTION	QTY.
1	363000	DECAL, DANGER ROTATING MECHANISM	1
2	467430	DECAL, DANGER SHIELD MISSING	5
3	384020	DECAL, DANGER 1000 RPM PTO	1
	384030	DECAL, DANGER 565 RPM PTO	
4	158520	DECAL, AUGER FEEDER STOP	1
5	268860	DECAL, DANGER ROTATING DRIVE LINE	1
6	383990	DECAL, DANGER AUGER FEEDER	1
7	384000	DECAL, DANGER ELECTROCUTION HAZARD	1
8	368350	DECAL, WARNING MOVING FLYWHEEL HAZARD	1
9	467450	DECAL, MOVING PART HAZARD	2
10	368040	DECAL, CAUTION SAFETY INSTRUCTIONS	1
11	346310	DECAL, WARNING HIGH PRESSURE FLUID HAZARD	1
12	377280	DECAL, CAUTION DO NOT OPEN	7
13	383970	DECAL, CAUTION HITCH INSTRUCTIONS	1
14	E224038	DECAL, CAUTION SMV	1
15	476450	REFLECTOR, RED	2
16	476460	REFLECTOR, YELLOW	1
17	117720	TAPE, ANTI-SKID	3
18	146670	DECAL, GREASE SYMBOL	5
19	212350	DECAL, SUPPLEMENT INSTRUCTIONS	1
20	355500	TAG, SERIAL NO. FINISHED	1
	204510	NAIL, 1/4" GRIP	4
21	529400	DECAL, TANK WINDOW DASH	5
22	626570	DECAL, ART'S WAY LOGO 7.0" BLACK/SILVER	1
23	582430	DECAL, ART'S-WAY LOGO 20.1 CREAM/SILVER	2
24	626560	DECAL, 7165 CATTLEMXX GRINDER MIXER	2
25	586320	DECAL, DECAL, AF LATCH 'LOCK-'UNLOCK'	1
26	389300	DECAL, IMPORTANT AVOID DESTRUCTION/PUMP	1
27	591750	DECAL, SELECTOR VALVE	1
-	043121P	PAINT, ART'S-WAY GREEN – 16 OZ. SPRAY CAN	-
-	153090P	PAINT, OFF-WHITE – 16 OZ. SPRAY CAN	-

LIGHTS ASSEMBLY



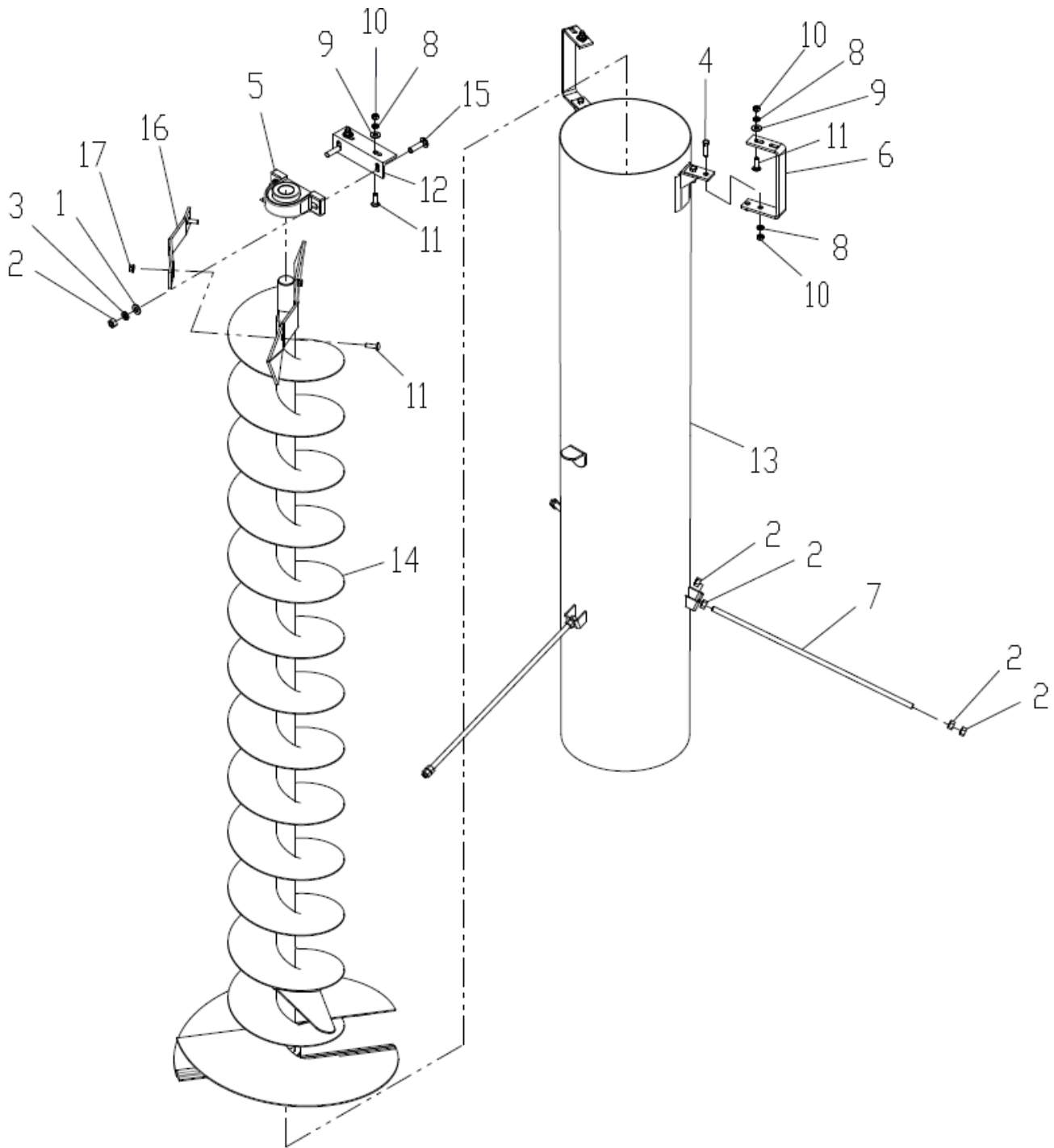
ITEM NO.	PART NUMBER	DESCRIPTION	QTY.
1	012260	BOLT, HHCS 3/8-16 X 1	10
2	020180	NUT, LOCK 3/8-16 Gr5 ZN HEX FLG	4
3	021180	WASHER, LOCK 3/8	18
4	022420	BOLT, HHCS 3/8-16 X 3/4"	8
5	023060	NUT, LOCK 3/8-16 2 WAY	1
6	023260	WASHER, FLAT 1/4 STD	4
7	027260	NUT, HEX 3/8-16 GR5 ZN	8
8	027660	NUT, HEX 1/4-20 GR5 ZN	4
9	029440	WASHER, LOCK 1/4 SAE	4
10	170530	BOLT, CRG 3/8-16 X 1"	2
11	206070	BOLT, HHCS 1/4-20 x 1-1/4	8
12	586360	HARNESS, WISHBONE 288"	1
13	590960	BRACKET, INNER	2
14	590970	BRACKET, OUTER	2
15	600100	NUT, HFH NYLOC 1/4-20	8
16	626470	CHANNEL, COVER SIDE	1
17	626580	LAMP ASSY, LH DUAL	1
18	626590	LAMP ASSY, RH DUAL	1
19	626670	MOUNT WLDT, LIGHT	2
20	626730	LADDER WLDT, GM	1
21	E096029	BOLT, CRG 1/4-20 x 3/4	4
22	J03H1558	BOLT, CRG 3/8-16 X 1-1/2	1
23	E276028	PIPE, CAP 1" STANDARD	1

MISC. TANK PARTS ASSEMBLY



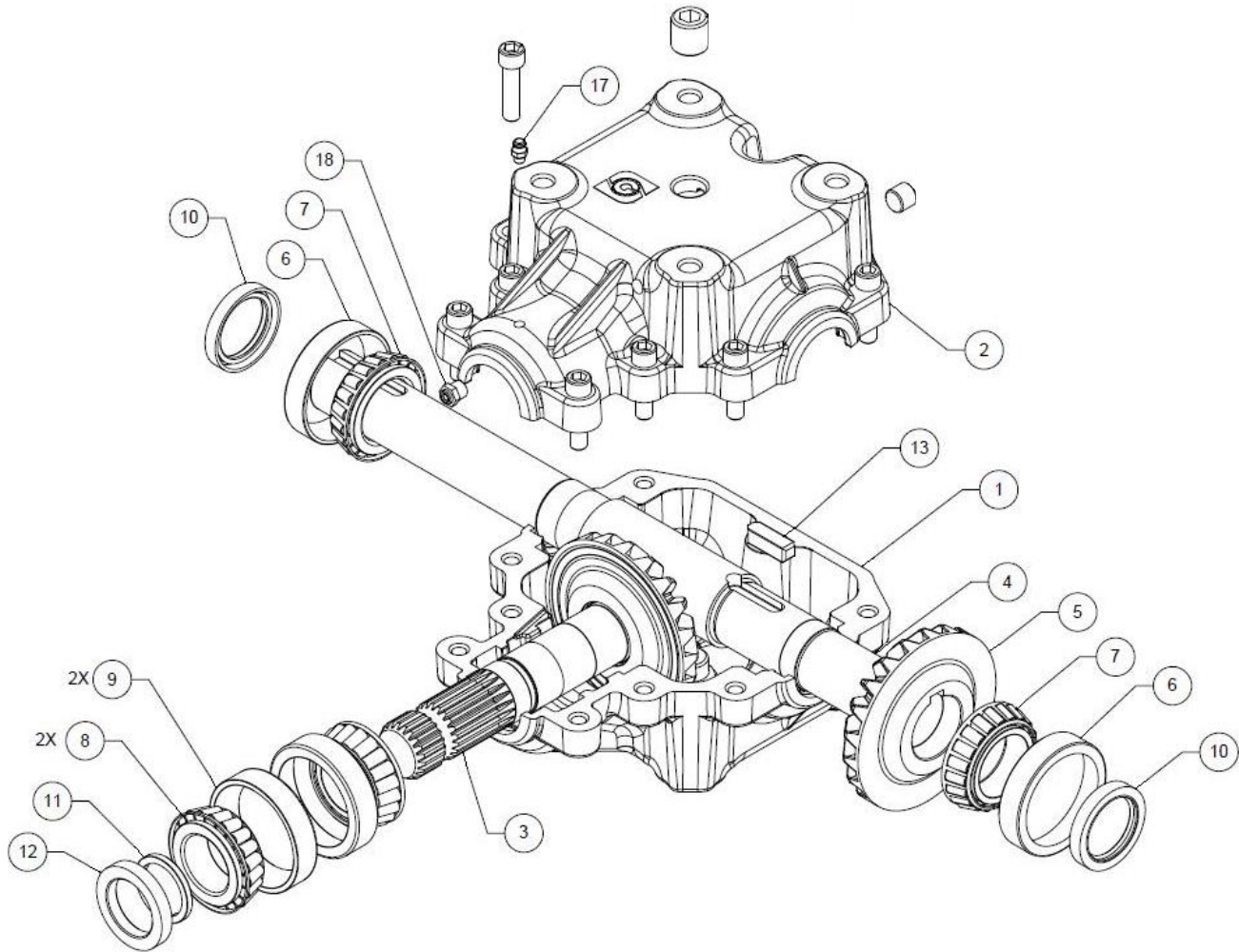
ITEM NO.	PART NUMBER	DESCRIPTION	QTY.
1	009790	NUT, WING 5/16-18 TYPE A ZN	8
2	009800	HBOLT 0.3125-18x2.5x0.875-N	2
3	012020	RUBBER, WINDOW	5
4	012050	GLASS, 4.5 X 12.0	5
5	012140	BOLT, HHCS 5/16-18 X 3/4	2
6	013080	SPRING, COMP.	2
7	014770	BOLT, HHCS .50-13X1.50	1
8	020190	NUT, LOCK 5/16-18 GR5 ZN HEX FLG	10
9	021210	PIN, COTTER 3/32 x 1.00	1
10	022920	WASHER, FLAT 5/16 STD	13
11	022930	BRACET, LID	2
12	023620	WASHER, LOCK 5/16	3
13	023630	NUT, HEX 5/16-18 GR5 ZN	3
14	025670	NUT, LOCK 5/16-18 HEX FLG	4
15	035661	LID & HINGE,	1
16	036090	DOOR, CLEANOUT	2
17	037540	NUT, LOCK 1/2-13 GR5 ZN NYLON	1
18	156970	PIN, 5/16 DIA	1
19	164020	SEAL, TANK LID	1
20	254060	BOLT, CRG 5/16-18 X 1"	3
21	363990	COVER WLDT,	1
22	379470	HOLDER, PTO	1
23	575940	CLIP, MIX TANK	10
24	626050	JACK ASSY, SIDEWINDER	1
25	MP907739	TUBE - OP MAN HOLDER	1

MIXING AUGER ASSEMBLY



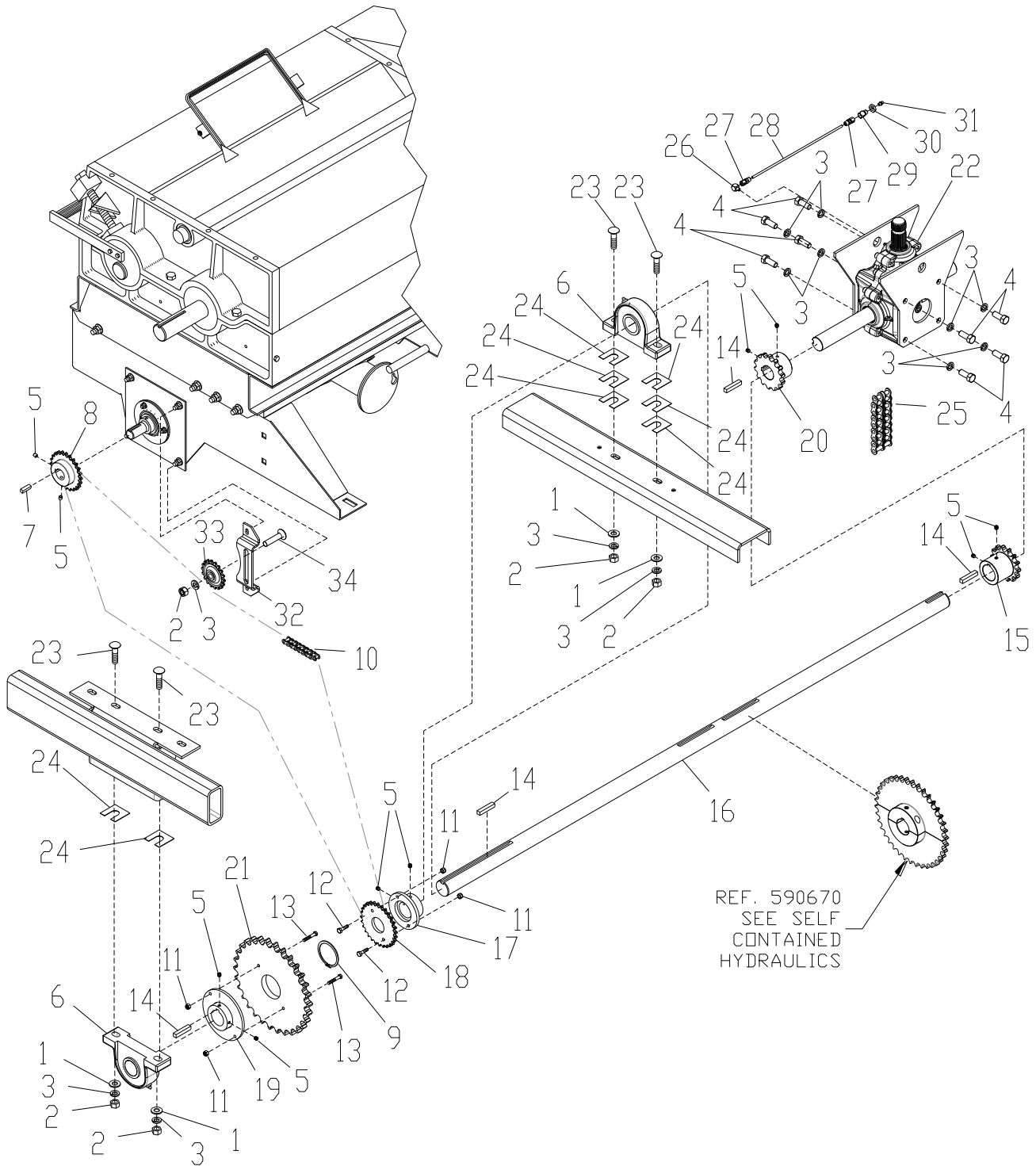
ITEM NO.	PART NUMBER	DESCRIPTION	QTY.
1	005200	WASHER, FLAT 1/2 STD	2
2	005360	NUT, HEX 1/2-13 GR5, ZN	14
3	005370	WASHER, LOCK 1/2	2
4	011370	BOLT, HHCS 3/8-16 X 1-1/2	4
5	013960	BEARING, PB 1-5/8 CI HSG W/LC	1
6	018680	SUPPORT, MAIN	2
7	021020	ROD, MIX AUGER	3
8	021180	WASHER, LOCK 3/8 ZN	8
9	021190	WASHER, FLAT 3/8 STD 7/16 X 1 X 5/64 ZN+	4
10	027260	NUT, HEX 3/8-16 GR5 ZN	8
11	035180	BOLT, CRG 3/8-16 X 1-1/4 SSN GR5 ZN	6
12	516090	HANGER, BEARING	1
13	516100	TUBE, MIXING AUGER 165 BU	1
14	577740	AUGER WLDT, SUPERIOR GB 165 BU MIXING	1
15	991200	BOLT, CRG 1/2-13 X 2 GR5 ZN	2
16	035651	PADDLE, MIXING	1
17	020180	NUT, LOCK 3/8-16 GR5 ZN HEX FLG	2

GEARBOX ASSEMBLY



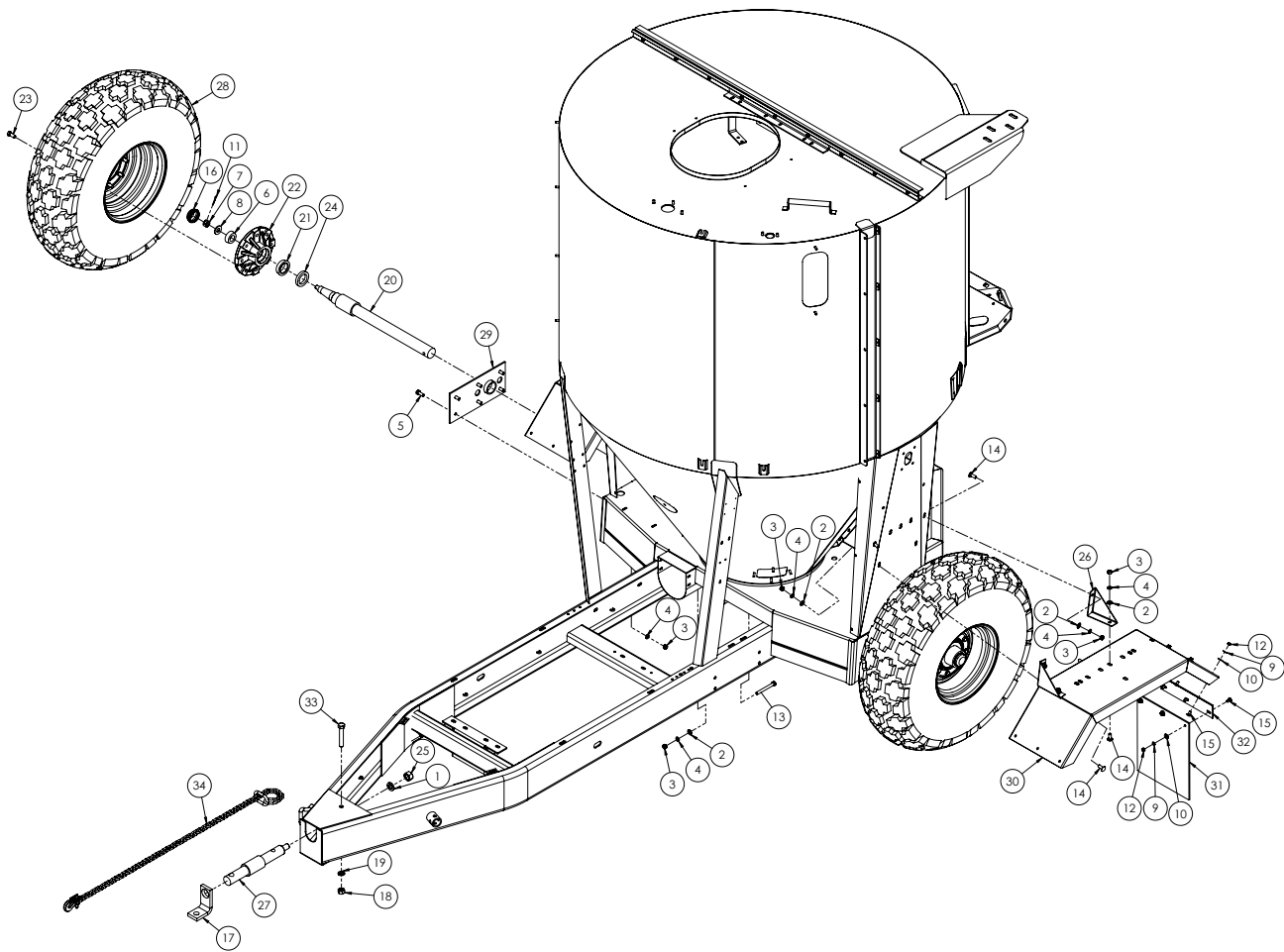
ITEM NO.	PART NUMBER	DESCRIPTION	QTY.
1	586180	GEARBOX, R500-003M-A0536 HOUSING 1/2	1
2	586190	GEARBOX, R500-004M-B0559 HOUSING 1/2	1
3	586200	GEARBOX, R500-8B00-K0280 SHAFT & GEAR	1
4	586210	GEARBOX, R500-1120-K0265 CROSS SHAFT	1
5	586220	GEAR, 1:1 1.50 KEY 51121	1
6	MP905502	BEARING CUP - 2.7170OD #13620	2
7	MP904026	BEARING CONE - 1.5000ID #13687	2
8	MP901102	BEARING CONE - 1.3750ID #14137A	2
9	MP901713	BEARING CUP - 2.7180OD #14276	2
10	586160	514846 SEAL, 1.500-2.00 .313	2
11	U50200005	RING, RETAINING	1
12	U51400006	SEAL, SHAFT TC - 1.375 X 2.00 X .313	1
13	586170	400201 KEY SQ, 3/8 X 1.20	1
17	I21987	ZERK, 1/4-28 TAPER DRIVE THREAD STRAIGHT	1
18	247820	PRESSURE RELIEF 2003PR	1
19	963130	OIL, 80/90 W GL-1 STRAIGHT GEAR OIL	1 GA.

LOWER DRIVE & GEARBOX ASSEMBLY



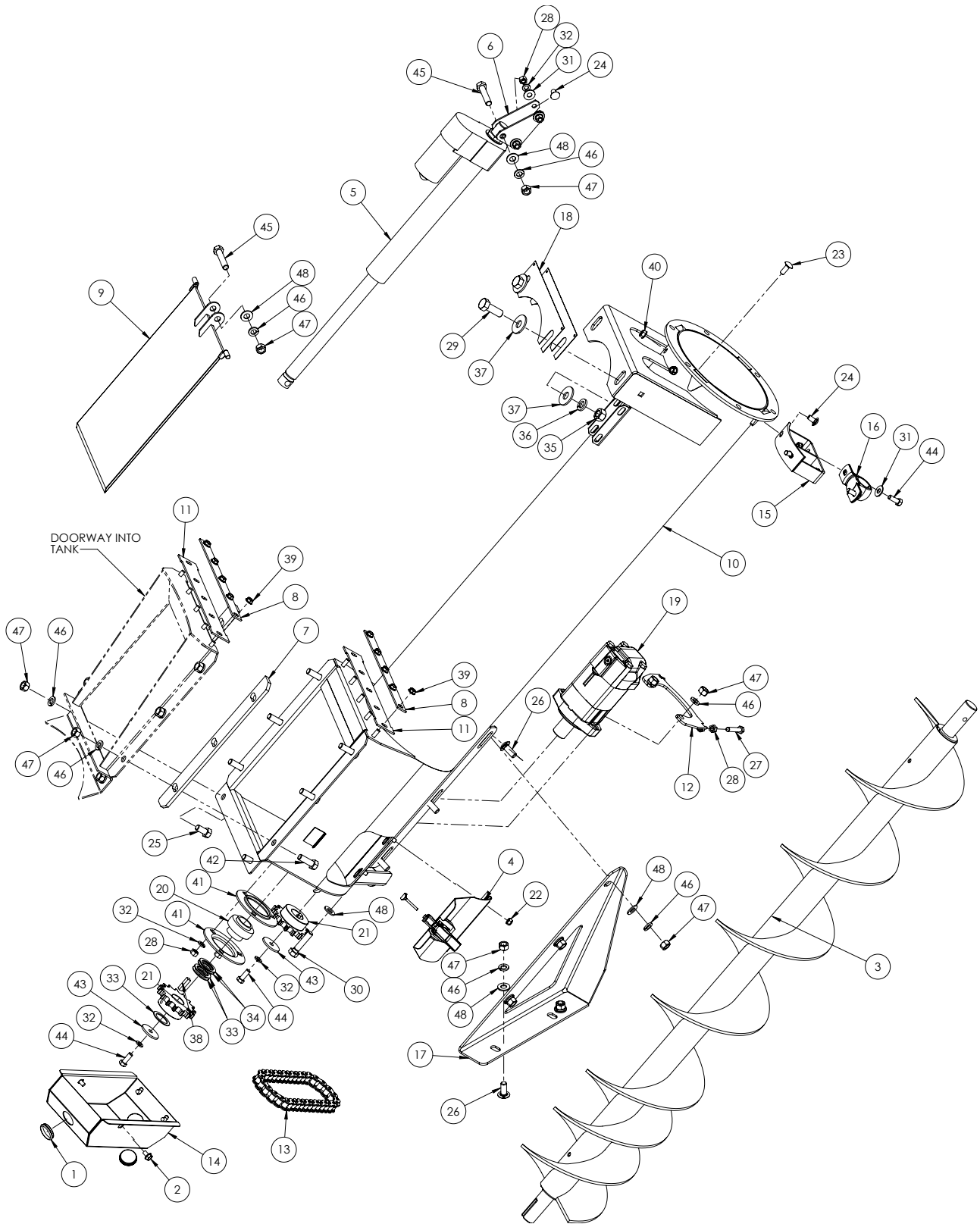
ITEM NO.	PART NUMBER	DESCRIPTION	QTY.
1	005200	WASHER, FLAT 1/2 STD	6
2	005360	NUT, HEX 1/2-13	7
3	005370	WASHER, LOCK 1/2 ZN	15
4	010730	BOLT, HHCS 1/2-13 X 1-1/4 GR5 ZN	8
5	010990	SCREW, HSSS 5/16-18 X 5/16 KNRD CPPT BLO	8
6	013960	BEARING, PB 1-5/8 W/LC	2
7	020760	KEY, PARALLEL	1
8	021860	SPROCKET, 40B24	1
9	040290	RING, RETAINING	1
10	384570	CHAIN, ROLLER RC40 X 66-PITCHES	1
11	042370	NYLON INSERT LOCKNUT, 1/4-20 UNC	4
12	042960	BOLT, HHCS 1/4-20 X 1	2
13	047000	BOLT, HHCS 1/4-20 X 1-1/2 GR5 ZN	2
14	021530	KEY, SQ. 3/8 X 2	4
15	461150	SPROCKET, 60B14 COUPLER	1
16	461870	SHAFT, MIXER DRIVE	1
17	461880	SPROCKET, 40A28	1
18	461890	HUB WLDT, SHEAR 1.625 BORE W/3/8 KEYWAY	1
19	469750	HUB WLDT, SHEAR 1.625 BORE W/3/8 KEYWAY	1
20	529110	SPROCKET, 60B14 1.44 ID, .38KW & SS	1
21	469730	SPROCKET, 80A30	1
22	577790	GEARBOX, SUPERIOR	1
23	991200	BOLT, CRG 1/2-13 X 2 X 2-N	4
24	I486454R1	SHIM, .030 BLADE	AR
25	163770	CHAIN, COUPLER RC60-2 X 14-PITCHES	1
26	585890	ADAPTER, 90 DEG.	1
27	MP16.21123	CONNECTOR, MALE 3/16	2
28	MP16.21125	TUBING – COPPER, REFRIG. 3/16 OD	1
29	244280	CONNECTOR, BULKHEAD	1
30	244290	NUT, LOCK 1/8-NPSM	1
31	049180	FITTING, 1/4-28 STR ZN	1
32	590980	BRACKET, IDLER MILL-TO-MIXER	1
33	020260	SPROCKET, IDLER RC40-18T	1
34	025390	BOLT, HHCS 1/2-13 X 1-3/4 GR5 ZN	1

WHEELS, AXLES, & FENDERS ASSEMBLY



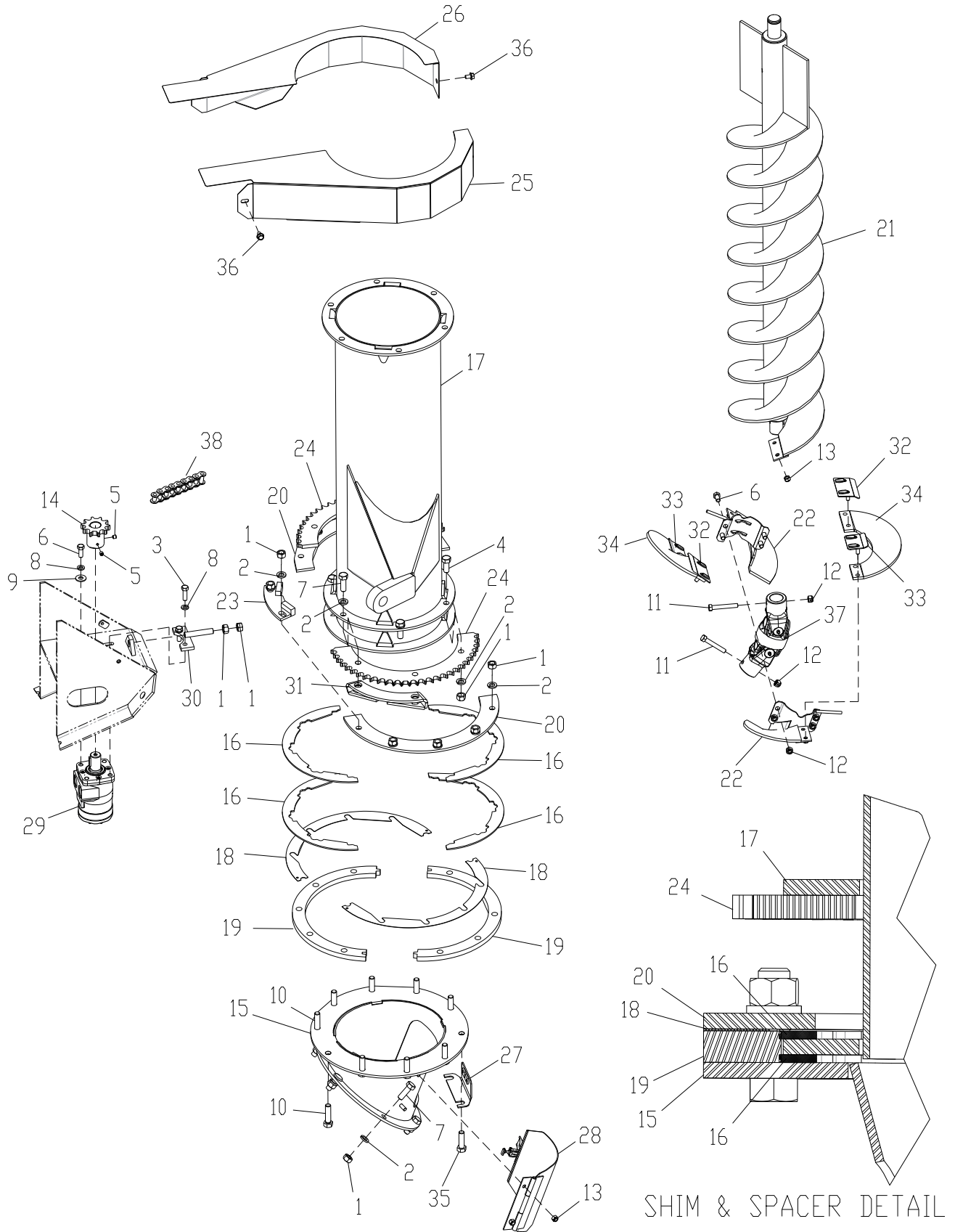
ITEM NO.	PART NUMBER	DESCRIPTION	QTY.
1	003350	WASHER, LOCK 1"	1
2	005200	WASHER, FLAT 1/2 STD	14
3	005360	NUT, HEX 1/2-13	26
4	005370	WASHER, LOCK 1/2	26
5	010730	BOLT, HHCS 1/2-13 X 1-1/4"	12
6	012630	BEARING CONE	2
7	020710	BUT, SLOTTED 3/4-16 GR5 ZN HEX	2
8	020720	WASHER, FLAT	2
9	021180	WASHER, LOCK 3/8	12
10	021190	WASHER, FLAT 3/8 STD	12
11	026630	COTTER PIN, 5/32 X 1-1/2	2
12	027260	NUT, HEX 3/8-16 GR5 ZN	12
13	030420	HBOLT 1/2-13 X 4-1/2" GR5 ZN	2
14	030470	BOLT, CRG 1/2-13 X 1-1/4"	12
15	032840	BOLT, CRG 3/8-16 X 3/4 SSN GR5 ZN	12
16	035420	HUBCAP, 2 1/2"	2
17	036740	CLEVIS, 1-7/8	1
18	036750	NUT, HEX 3/4-10	1
19	036800	WASHER, LOCK 3/4 SAE	1
20	040611	WEIGHBAR, SPINDLE	2
21	042310	BEARING CONE	2
22	042330	HUB ASSY, 8-BOLT	2
23	042440	BOLT, LUG 9/16-18 X1-1/8 GR6 ZP	16
24	121130	SEAL, WHEEL	2
25	147310	NUT, HEX 1-8	1
26	159160	SUPPORT, FENDER	2
27	219870	HITCH, 1-7/8 DIA 2-1/8 5-PIN	1
28	228711	TIRE & RIM ASSY	2
29	363940	BRACKET, MOUNTING	1
30	584070	FENDER WLDT, LARGE	2
31	626430	FLAP, MUD RUBBER 14X18	2
32	626440	BRACKET, MUD FLAP	2
33	991050	HBOLT 0.7500-10X8.5X8.5-N	1
34	1765302	CHAIN, SAFETY 5/16X5'	1

LOWER DISCHARGE ASSEMBLY



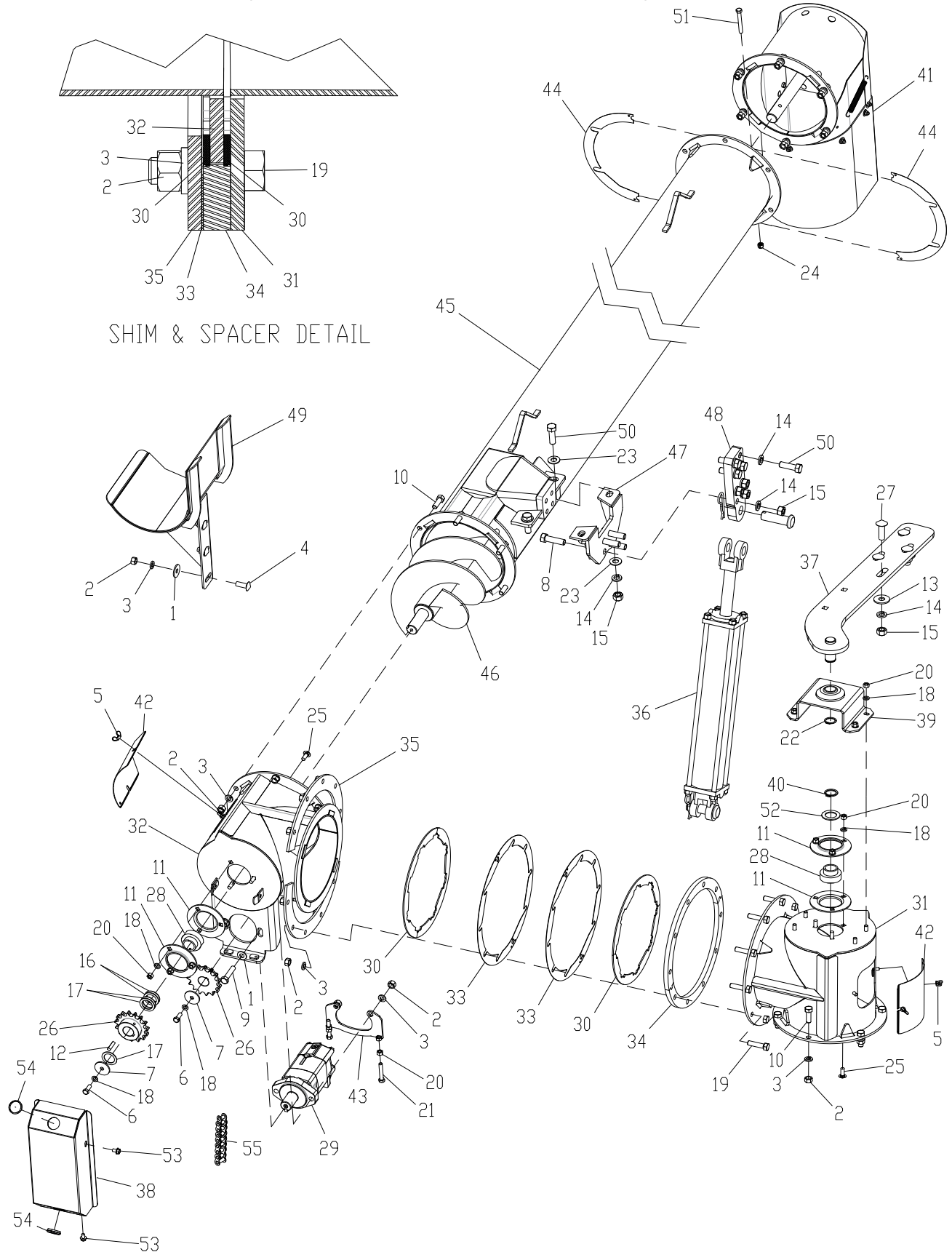
ITEM NO.	PART NUMBER	DESCRIPTION	QTY.
1	SD205165	PLUG, 1-3/8 X .35	2
2	JN71292	SCREW, FLG 5/16-18 X 1/2	4
3	626410	AUGER WLDT,	1
4	592970	DOOR WLDT, LOWER	1
5	591780	ACTUATOR, 12" LINEAR	1
6	591260	PLATE, UPPER	2
7	591240	SPACER, DISCHARGE	2
8	591230	FLAT, SEAL	2
9	591210	GATE WLDT,	1
10	591190	TUBE WLDT,DIAGONAL 10"	1
11	591160	SEAL, RUBBER	2
12	584860	BRACKET WLDT, MOTOR	1
13	584090	CHAIN	1
14	583130	SHIELD	1
15	583030	BRACKET WLDT,	1
16	583020	BEARING, 1.25 SPLIT	1
17	582810	BRACKET, LOWER	1
18	582650	SHIM, .030 DISCHARGE	2
19	576240	MOTOR, HYD 9.6 CID	1
20	461780	BEARING ASSY,	1
21	260070	SPROCKET, 60B15	2
22	181570	NYLON INSERT LOCKNUT, 5/16-18	2
23	170530	BOLT, CRG 3/8-16 X 1"	3
24	032840	BOLT, CRG 3/8-16 X 3/4 SSN GR5 ZN	6
25	031080	BOLT, HHCS 1/2-13 X 1.00	2
26	030470	BOLT, CRG 1/2-13 X 1-1/4"	5
27	029930	HBOLT 0.3750-16X2.25X2.25-N	2
28	027260	NUT, HEX 3/8-16 GR5	9
29	025100	HBOLT 0.6250-11X1.75X1.75-N	2
30	023950	BOLT, HHCS 1/2-13 X 2 GR5 ZN	2
31	021190	WASHER, FLAT 3/8 STD	6
32	021180	WASHER, LOCK 3/8	9
33	020910	WASHER, FLAT	3
34	020880	WASHER, FLAT	2
35	020450	NUT, HEX 5/8-11	2
36	020440	WASHER, LOCK 5/8	2
37	020430	WASHER, FLAT 5/8 STD	4
38	020220	KEY, SQUARE 5/16 X 1-1/4	1
39	020190	NUT, LOCK 5/16-18 GR5 ZN HEX FLG	10
40	020180	NUT, LOCK 3/8-16 GR5 ZN HEX FLG	4
41	019150	FLG, 1-1/8 BRG	2
42	014770	BOLT, HHCS .50-13X1.50	6
43	012270	WASHER, FLAT	2
44	012260	BOLT, HHCS 3/8-16 X 1	4
45	007080	BOLT, HHCS 1/2-13 X 2-1/2	2
46	005370	WASHER, LOCK 1/2	17
47	005360	NUT, HEX 1/2-13	17
48	005200	WASHER, FLAT 1/2 STD	9

MIDDLE DISCHARGE ASSEMBLY



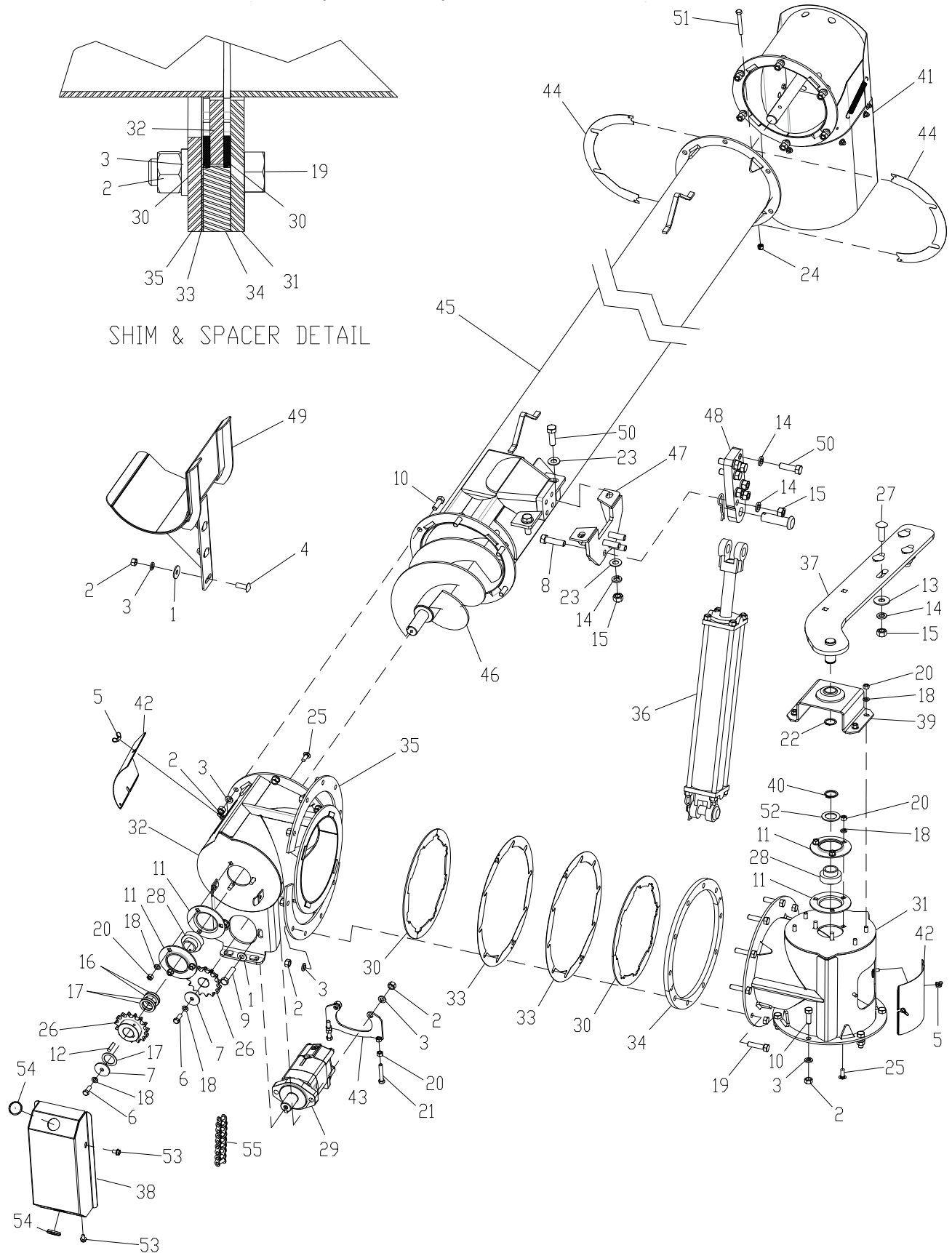
ITEM NO.	PART NUMBER	DESCRIPTION	QTY.
1	005360	NUT, HEX 1/2-13	22
2	005370	WASHER, LOCK 1/2 ZN	22
3	006690	BOLT, HHCS 3/8-16 X 1-1/4 GR5 ZN	2
4	010730	BOLT, HHCS 1/2-13 X 1-1/4 GR5 ZN	4
5	010990	SCREW, HSSS 5/16-18 X 5/16	2
6	012260	BOLT, HHCS 3/8-16 X 1 GR5 ZN	6
7	014770	BOLT, HHCS 1/2-13 X 1-1/2 GR5 ZN	6
8	021180	WASHER, LOCK 3/8 ZN	4
9	021190	WASHER, FLAT 3/8 STD ZN	2
10	023950	BOLT, HHCS 1/2-13 X 2 GR5 ZN	2
11	037630	BOLT, HHCS 3/8-16 X 2-1/2 GR5 ZN	2
12	073630	NUT, LOCK 3/8-16	2
13	181570	NUT, LOCK 5/16-18 NYLON HEX	10
14	458500	SPROCKET, 60B10 1" DIA.	1
15	582300	TRANSITION WLDT, 10" DISCHARGE	1
16	582320	WASHER, HALF UHMW	4
17	582600	TUBE WLDT, VERTICAL	1
18	582670	RING, HALF, SHIM	AR
19	582680	RING, HALF, SPACER	2
20	582690	RING, HALF, CLAMPING	2
21	582900	AUGER WLDT, VERTICAL	1
22	583200	AUGER WLDT, HALF	2
23	583210	STOP WLDT, LOWER	1
24	583620	SPROCKET, HALF 60A58	2
25	584450	SHIELD WLDT, LH DISCHARGE PIVOT	1
26	584460	SHIELD WLDT, RH DISCHARGE PIVOT	1
27	584500	BRACKET WLDT, SHIELD	1
28	584930	DOOR WLDT, TRANSITION	1
29	586440	MOTOR, HYD. 20 CI DISPL. -10 SAE O-RING	1
30	586800	TENSIONER WLDT, HYD. MOTOR	1
31	587010	STOP WLDT, UPPER DISCHARGE PIVOT	1
32	593840	TAB WLDT, UPPER FLIGHTING CLAMPING	2
33	593860	TAB WLDT, LOWER FLIGHTING CLAMPING	2
34	593900	FLIGHTING, RUBBER TRANSITION	2
35	1770500	BOLT, 1/2-13 X 1-3/4 GR5 ZN	8
36	JN71292	SCREW, FLG 5/16-18 X 1/2 GR5 ZN HEX	4
37	SD200294	U-JOINT, CV 1-1/4 BORE 6 RW 50°	1
38	583640	CHAIN, ROLLER RC60 X 79 PITCH +1 CONN	1
NOTE: RUBBER FLIGHTING NOT INSTALLED AT FACTORY			

UPPER DISCHARGE ASSEMBLY



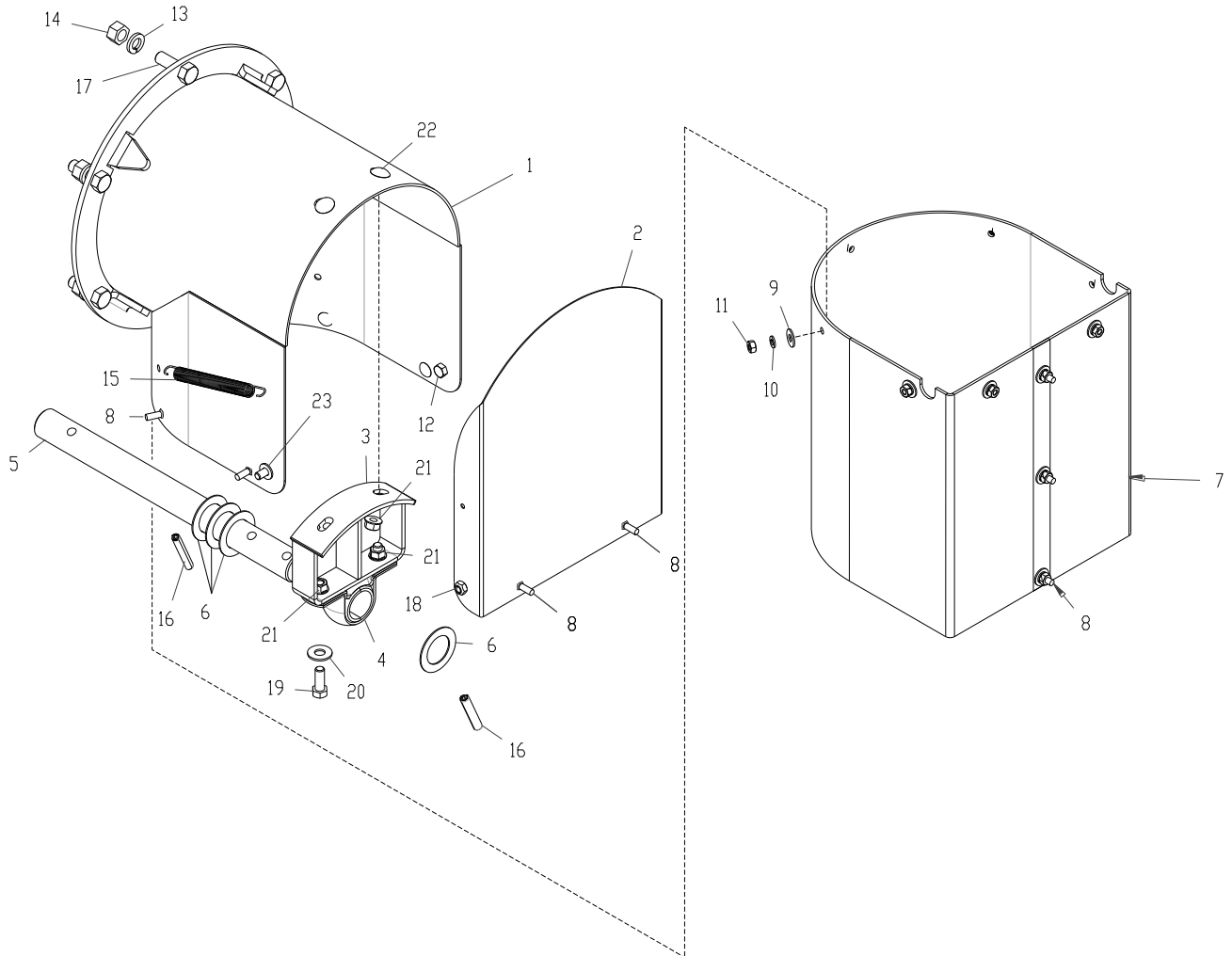
ITEM NO.	PART NUMBER	DESCRIPTION	QTY.
1	005200	WASHER, FLAT 1/2 STD	5
2	005360	NUT, HEX 1/2-13	27
3	005370	WASHER, LOCK 1/2 ZN	27
4	156850	BOLT, CRG 1/2-13 X 1-1/2 SSN GR5 ZN	3
5	009790	NUT, WING 5/16-18 TYPE A ZN	4
6	012260	BOLT, HHCS 3/8-16 X 1 GR5 ZN	2
7	012270	WASHER, FLAT 3/8 STANDARD ZN	2
8	013430	BOLT, HHCS 5/8-13 X 2-1/4 GR5 ZN	4
9	013790	BOLT, HHCS 1/2-13 X 2-1/4 GR5 ZN	2
10	014770	BOLT, HHCS 1/2-13 X 1-1/2 GR5 ZN	12
11	019150	FLANGETTE, 1-1/8 BEARING	4
12	020220	KEY, SQUARE 5/16 X 1-1/4	1
13	020430	WASHER, FLAT 5/8 STD	4
14	020440	WASHER, LOCK 5/8	14
15	020450	NUT, HEX 5/8-11	10
16	020880	WASHER, FLAT 1-1/4 X 1-3/4 X 10 GA.	2
17	020910	WASHER, FLAT 1-1/4 X 1-3/4 X 1/16	3
18	021180	WASHER, LOCK 3/8 ZN	12
19	023950	BOLT, HHCS 1/2-13 X 2 GR5 ZN	10
20	027260	NUT, HEX 3/8-16 GR5 ZN	12
21	029930	BOLT, HHCS 3/8-16 X 2-1/4 ZN GR5	2
22	035200	RING, SNAP	1
23	035210	WASHER, FLAT 5/8 SAE	4
24	073630	NUT, LOCK 3/8-16 NYLON HEX	1
25	170530	BOLT, CRG 3/8-16 X 1 SSN GR5 ZN	6
26	260070	SPROCKET, 60B15	2
27	452990	BOLT, CRG 5/8-11 X 2 GR5 ZN	4
28	461780	BEARING ASSEMBLY	2
29	576240	MOTOR, HYD 9.6 CID	1
30	582320	WASHER, HALF UHMW	4
31	582490	ELBOW WLDT, HEAD 10"	1

UPPER DISCHARGE ASSEMBLY, (CONTINUED)



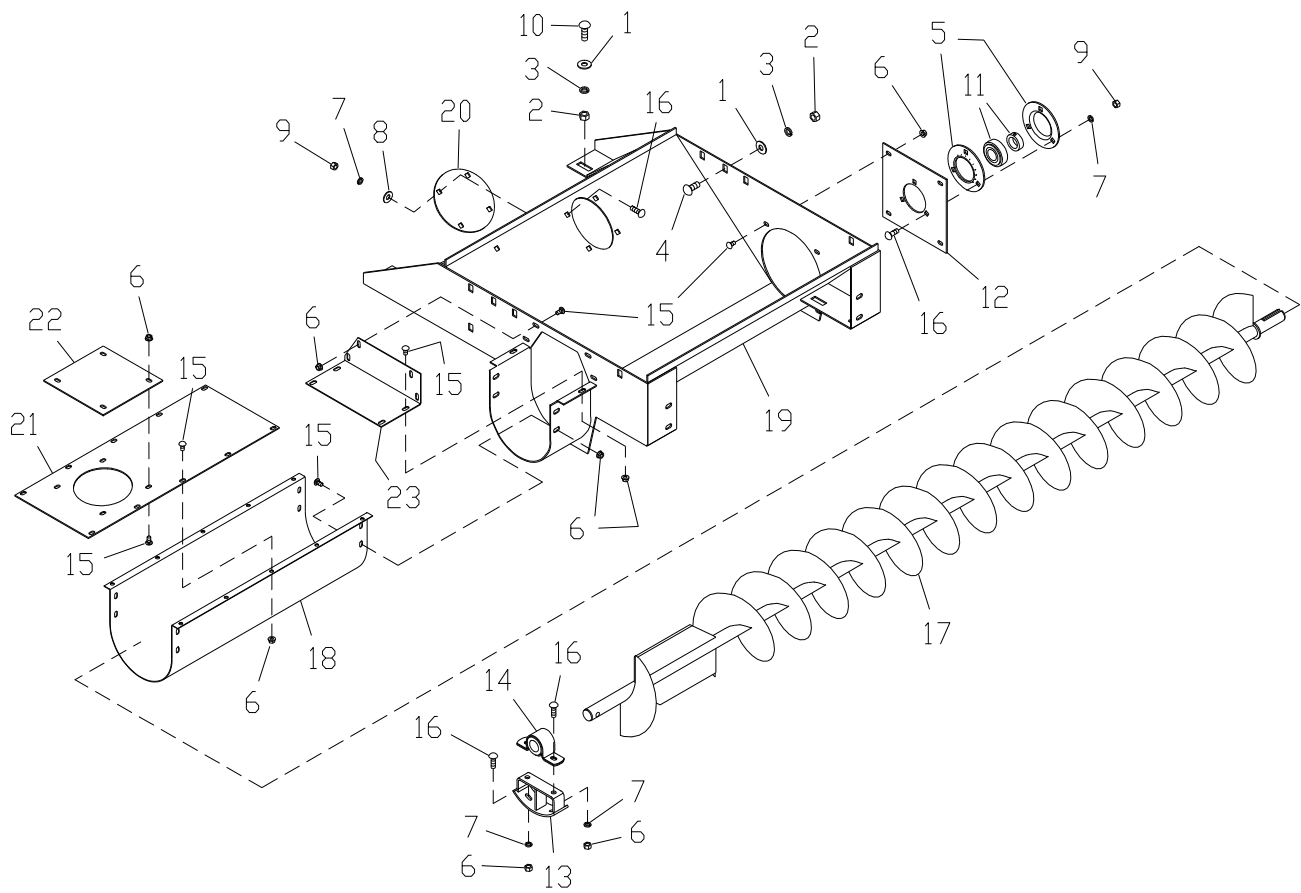
ITEM NO.	PART NUMBER	DESCRIPTION	QTY.
32	582500	ELBOW WLDT, DISCHARGE 10"	1
33	582670	RING, HALF, SHIM	AR
34	582680	RING, HALF, SPACER	2
35	582690	RING, HALF, CLAMPING	2
36	582800	CYLINDER, HYD 3 X 16	1
37	582830	BAR WLDT, UPPER	1
38	583130	SHIELD, DISCHARGE	1
39	583140	BRACKET WLDT, UPPER PIVOT	1
40	583340	RING, EXT 1.25 HD SNAP	1
41	583700	HOOD ASSY, 10"	1
42	584050	DOOR, CLEANOUT 10"	2
43	584860	BRACKET WLDT, MOTOR	1
44	586370	SHIM, HALF 10" ID .030 THICK RING	AR
45	590910	TUBE WLDT, 12' LONG DISCHARGE (DOMESTIC)	1
	582700	TUBE WLDT, 10' LONG DISCHARGE (EXPORT)	
46	590930	AUGER WLDT, 12' LONG DISCHARGE (DOMESTIC)	1
	582920	AUGER WLDT, 10' LONG DISCHARGE (EXPORT)	
47	591660	SUPPORT WLDT, ADJUSTABLE CYLINDER LUG	1
48	591690	LUG, ADJUSTABLE DISCHARGE CYLINDER	1
49	594540	SADDLE WLDT, 10" EXTENDED	1
	585810	CUSHION, RUBBER (QTY. 3 IN 594540)	-
	962040	ADHESIVE, 5 OZ. TUBE RUBBER (IN 594540)	-
50	990620	BOLT, HHCS 5/8-13 X 2 GR5 ZN	6
51	990820	BOLT, HHCS 3/8-16 X 3 GR5 ZN	1
52	I49581203	WASHER, FLAT 1-9/32 X 2 X .105	1
53	JN71292	SCREW, FLG 5/16-18 X 1/2 GR5 ZN HEX	4
54	SD205165	PLUG, 1-3/8 X .35	2
55	584090	CHAIN, ROLLER RC60 X 36 PITCH +1 CONN	1

HOOD ASSEMBLY



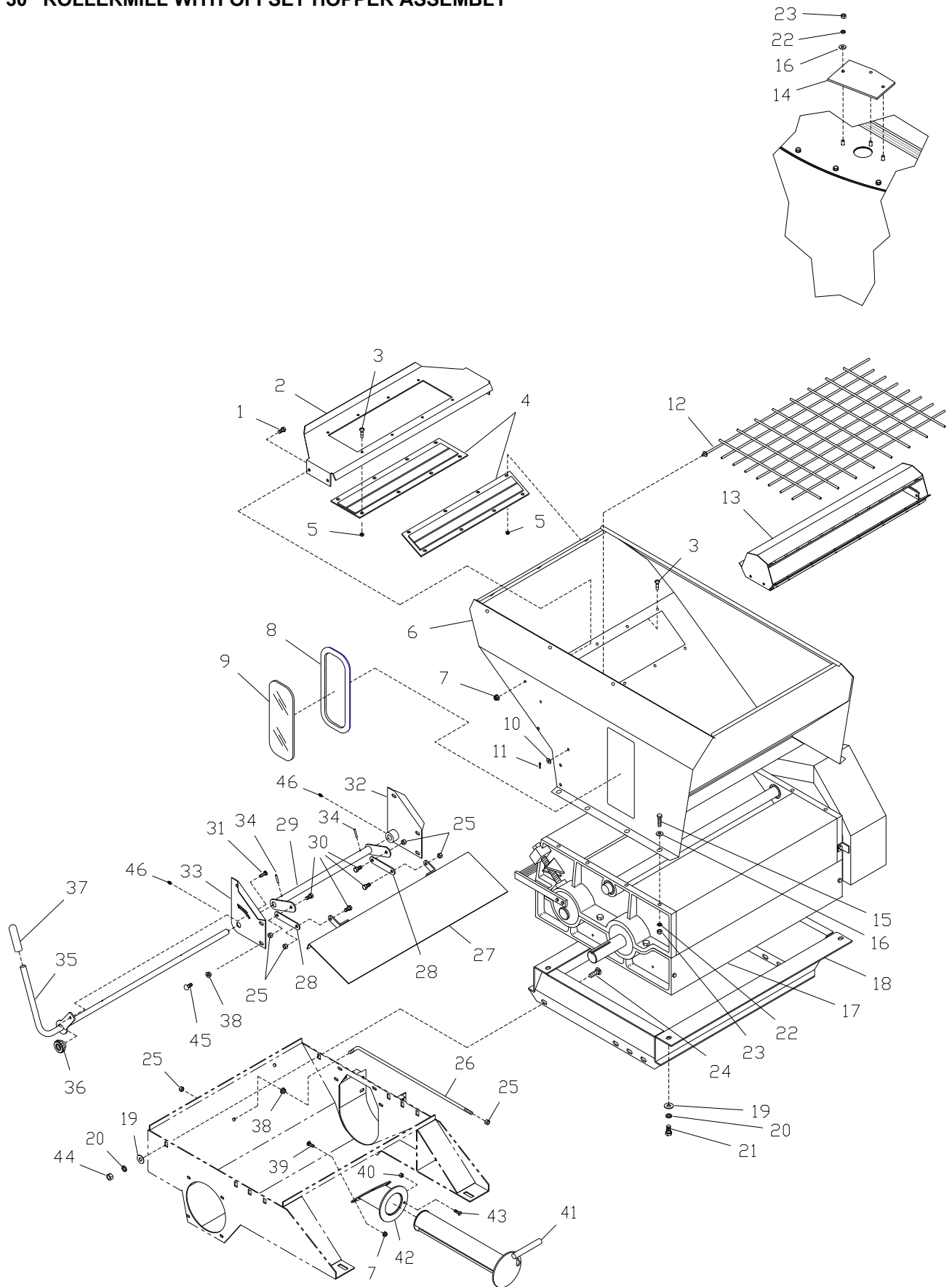
ITEM NO.	PART NUMBER	DESCRIPTION	QTY.
1	583710	HOOD WLDT, 10"	1
2	583740	DOOR, 10" HOOD	1
3	583030	BRACKET WLDT, BEARING	1
4	583020	BEARING, 1-1/4 SPLIT WOOD	1
5	583690	SHAFT, COUPLER	1
6	I608700R1	WASHER, FLAT 1.28 X 2.00 X .054	4
7	583750	FLAP, RUBBER SPOUT	1
8	E096029	BOLT, CRG 1/4-20 X 3/4 GR5 ZN	10
9	023260	WASHER, FLAT 1/4 STD	10
10	029440	WASHER, LOCK 1/4 SAE	10
11	027660	NUT, HEX 1/4-20 GR5 ZN	10
12	006880	BOLT, HHCS 5/16-18 X 5/8 GR5 ZN	2
13	005370	WASHER, LOCK 1/2 ZN	6
14	005360	NUT, HEX 1/2-13 ZN	6
15	100750	SPRING, EXTENSION	2
16	I43812432	PIN, .375 X 2 SLIT SPRING HVY ZN	2
17	014770	BOLT, HHCS 1/2-13 X 1-1/2 GR5 ZN	5
18	025670	NUT, LOCK 5/16-18 HEX FLG ZN	2
19	012260	BOLT, HHCS 3/8-16 X 1 GR5 ZN	2
20	021190	WASHER, FLAT 3/8 STD	2
21	020180	NUT, LOCK 3/8-16 HEX FLG GR5 ZN	4
22	032840	BOLT, CRG 3/8-16 X 3/4 SSN GR5 ZN	2
23	022920	WASHER, FLAT 5/16 STD	2

MILL TO MIXER AUGER ASSEMBLY



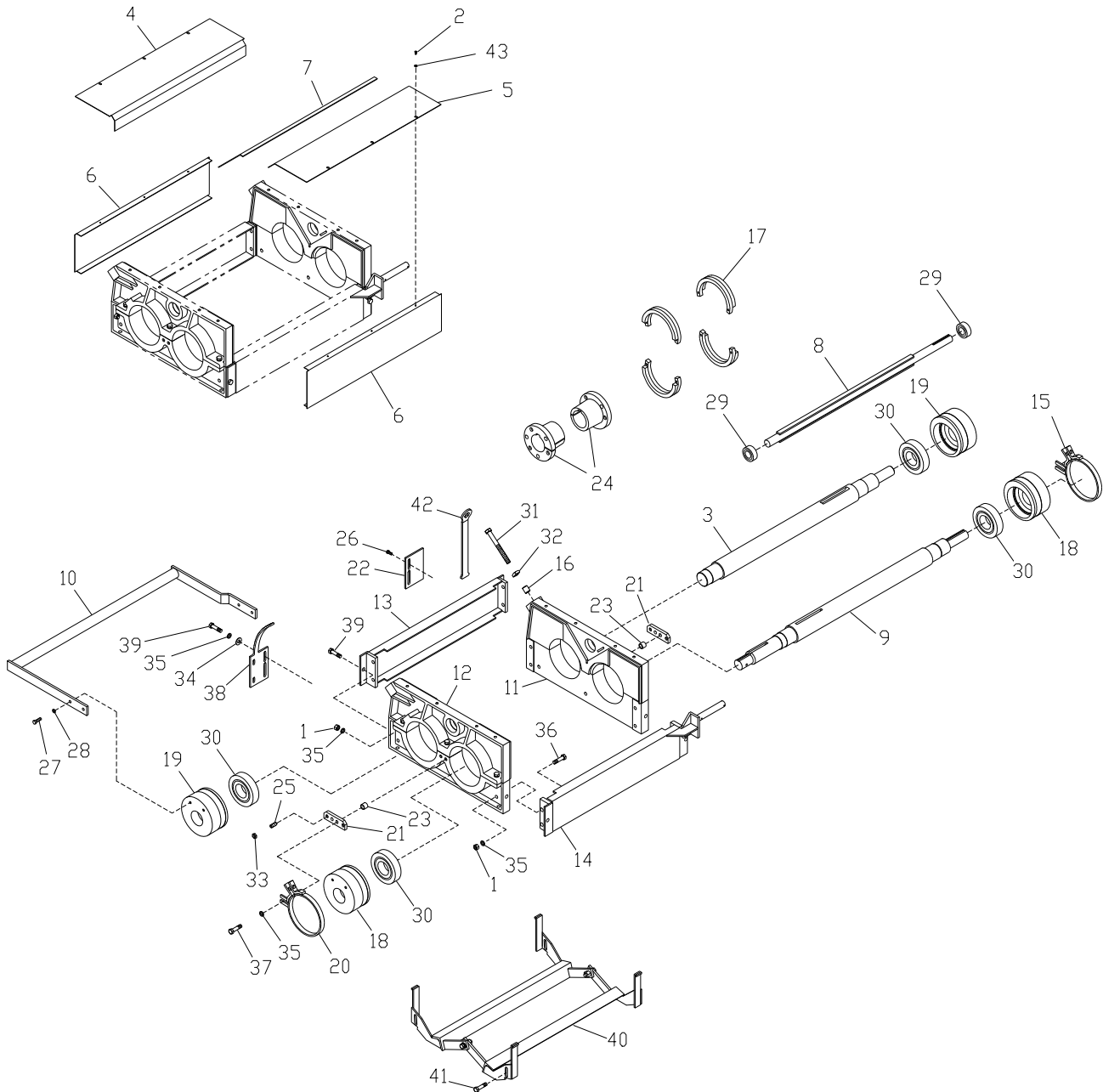
ITEM NO.	PART NUMBER	DESCRIPTION	QTY.
1	005200	WASHER, FLAT 1/2 STD	14
2	005360	NUT, HEX 1/2-13	14
3	005370	WASHER, LOCK 1/2 ZN	14
4	005390	BOLT, CRG 1/2-13 X 1 SSN GR5 ZN	10
5	019150	FLANGETTE, 1-1/8 BEARING	2
6	020190	NUT, LOCK 5/16-18 GR5 ZN HEX FLG	28
7	021180	WASHER, LOCK 3/8 ZN	11
8	021190	WASHER, FLAT 3/8 STD ZN	4
9	027260	NUT, HEX 3/8-16 GR5 ZN	11
10	030470	BOLT, CRG 1/2-13 X 1-1/4 SSN GR5 ZN	4
11	108850	BEARING, 1.12 SOD SPRING LOCK	1
12	128040	PLATE, HOLE COVER	1
13	165020	BRACKET WLDT, BEARING HOLDER	1
14	165030	BEARING, 1.12 SPLIT WOOD PB	1
15	169340	BOLT, CRG 5/16-18 X 1/2 SSN GR2	28
16	170530	BOLT, CRG 3/8-16 X 1 SSN GR5	11
17	363750	AUGER WLDT, MILL TO MIXER	1
18	364250	TROUGH, LOWER PAN TO TANK	1
19	365330	PAN WLDT, LOWER	1
20	365390	COVER, LOWER PAN	1
21	365880	CAP, TROUGH	1
22	365900	PLATE, CAP	1
23	365950	CAP, ANGLE	1
24	961990	CAULKING, TUBE MAGIC SEAL CLEAR	1.5

30" ROLLERMILL WITH OFFSET HOPPER ASSEMBLY



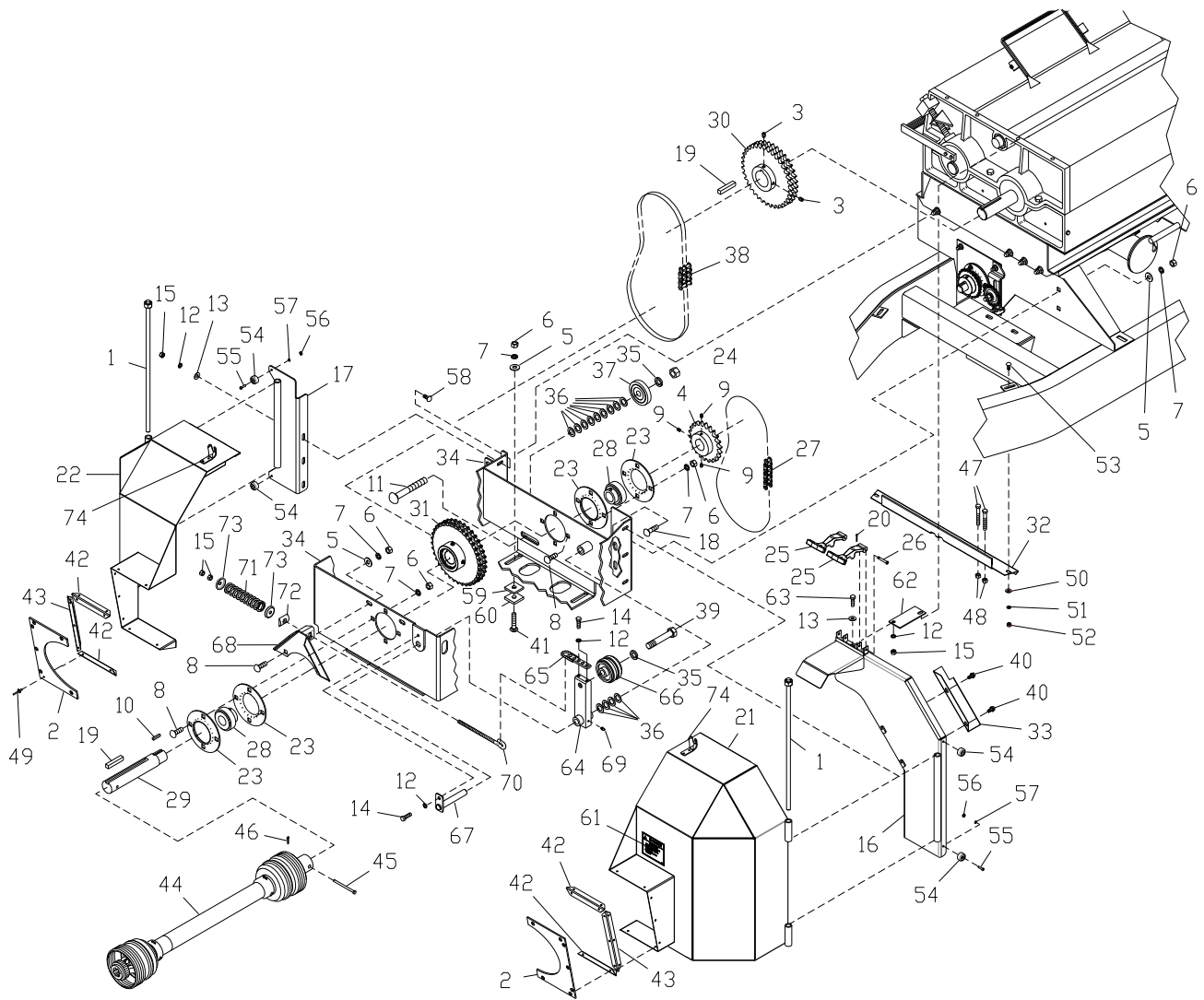
ITEM NO.	PART NUMBER	DESCRIPTION	QTY.
1	012140	BOLT, HHCS 5/16-18 X 3/4 GR5 ZN	4
2	423280	PANEL, 30" UPPER MTG	1
3	035230	BOLT, TRUSS HD 1/4-20 X 3/4	16
4	009740	MAGNET, #4	2
5	023270	NUT, LOCK 1/4-20 HEX FLG	16
6	375080	HOPPER WLDT, 30" OFFSET	1
7	020190	NUT, LOCK 5/16-18 GR5 ZN HEX FLG	4
8	012020	RUBBER, WINDOW	1
9	012050	GLASS, 4.5 X 12.0	1
10	023260	WASHER, FLAT 1/4 STD	1
11	023090	PIN, COTTER 3/32 X 3/4	1
12	375130	GRATE WLDT, TRASH	1
13	375220	MAGNET ASSY, 30" OFFSET	1
14	380040	COVER, AIR	1
15	006690	BOLT, HHCS 3/8-16 1-1/4	8
16	021190	WASHER, FLAT 3/8 STD ZN	8
17	P30800M	30" ROLLER MILL	1
18	371170	BASE WLDT	1
19	005200	WASHER, FLAT 1/2 STD	12
20	005370	WASHER, LOCK 1/2 ZN	12
21	031080	BOLT, HHCS 1/2-13 X 1 GR5 ZN	4
22	021180	WASHER, LOCK 3/8 ZN	10
23	027260	NUT, HEX 3/8-16 GR5 ZN	10
24	030470	BOLT, CRG 1/2-13 X 1-1/4 GR5 ZN	8
25	E552044	NUT, LOCK 3/8-16 HEX TOP LOCK ZN	5
26	376870	ROD, 3/8 X 23.0	1
27	386220	GATE WLDT, 30"	1
28	386240	LINK, LOWER	2
29	386260	TUBE WLDT, LINK	1
30	022420	BOLT, HHCS 3/8-16 X 3/4 GR5 ZN	4
31	035520	BOLT, CRG 5/16-18 X 1-1/4 GR5 ZN	1
32	386170	HANGER WLDT, REAR	1
33	386160	HANGER WLDT, FRONT	1
34	012560	PIN, EXPANSION 3/16 X 1	2
35	386180	LEVER WLDT, LIFT	1
36	386130	KNOB, FLUTED 5/16-18	1
37	150940	GRIP, ROUND HANDLE	1
38	020180	NUT, LOCK 3/8-16 HEX FLG ZN	7
39	012410	BOLT, CRG 5/16-18 X 3/4 SSN GR5 ZN	1
40	023630	NUT, HEX 5/16-18 ZN	4
41	376630	TROUGH, SAMPLE	1
42	376830	TUBE WLDT	1
43	144510	SCREW, RHMS 5/16-18 X 3/4 ZN	1
44	005360	NUT, HEX 1/2-13	8
45	032840	BOLT, CRG 3/8-16 X 3/4 GR5 ZN	6
46	049180	FITTING, 1/4-28 TAPER THREAD STRAIGHT	2

30" ROLLERMILL ASSEMBLY



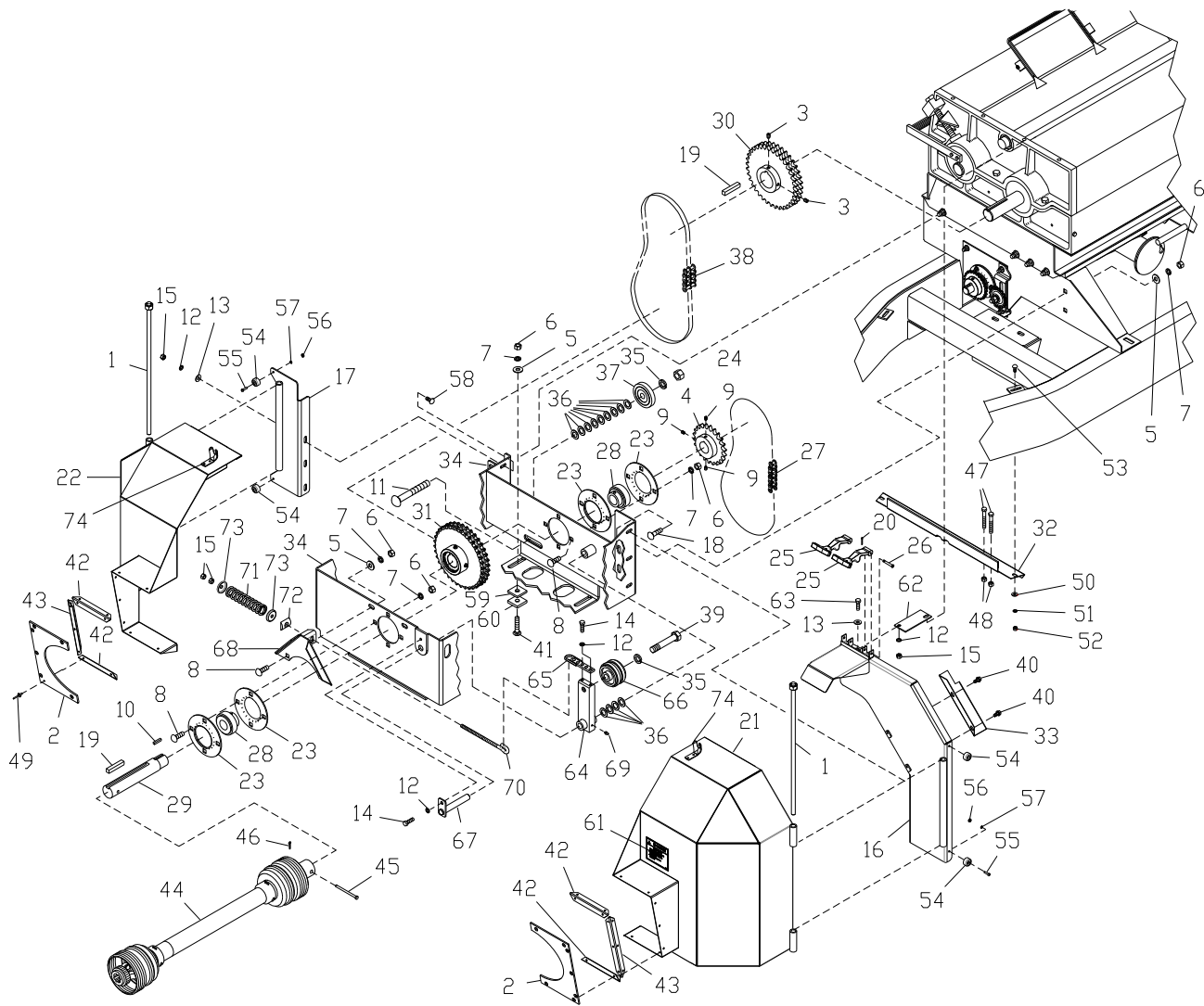
ITEM NO.	PART NUMBER	DESCRIPTION	QTY.
1	005360	NUT, HEX 1/2-13	12
2	P98341	SCREW, SPHMS #10-24 X 1/2	22
3	403250	SHAFT, ROLL ECCENTRIC 30"	1
4	P30813	COVER, TOP FRONT CASTING	1
5	P30814	COVER, REAR TOP	1
6	P30815	COVER, FRONT & REAR CASTING	2
7	P30816	PLATE, FEED CONTROL	1
8	P30820	SHAFT WLDT, AGITATOR	1
9	423940	SHAFT, 30" PTO DRIVE	1
10	P30835	HANDLE WLDT, ECCENTRIC ADJUSTING	1
11	P36810	SIDE ASSY, LH	1
12	P36811	SIDE ASSY, RH	1
13	400080	CHANNEL WLDT, RH	1
14	400100	CHANNEL WLDT, LH	1
15	386470	BRAKE WLDT, ADJUSTABLE RH	1
16	P36182	PLUG, CLAMP SCREW BRASS	2
17	P36196	WEIGHT WLDT, ROLL	4
18	P36824	HOUSING, DRIVE SIDE ECCENTRIC	2
19	P36825	HOUSING, ECCENTRIC	2
20	P36835	BRAKE WLDT, ADJUSTABLE LH	1
21	P36838	PLATE, ROLL ADJUSTER	2
22	P36852	STOP, CORN ROLL	1
23	P74358	BUSHING, SUPPORT SWIVEL	4
24	P97946	BUSHING, R2 X 3 SPLIT TAPER	4
25	P98307	SCREW, DOG POINT SS 1/2 -13 X 1	4
26	P98346	SCREW, HH SELF TAP 5/16 X 5/8	2
27	012260	BOLT, HHCS 3/8-16 X 1 GR5 ZN	4
28	021180	WASHER, LOCK 3/8 ZN	4
29	P99036	BEARING, 1-1/4 AGITATOR	2
30	P99050	BEARING, SHAFT 6313-2RS	4
31	P99420	BOLT, HHCS 7/8-9 X 6-1/2 GR5 ZN	2
32	P99530	NUT, SQUARE 7/8-9 HEAVY	2
33	114380	NUT, JAM 1/2-13 GR5 ZN	4
34	005200	WASHER, FLAT 1/2 STD	4
35	005370	WASHER, LOCK 1/2 ZN	18
36	1770500	BOLT, HHCS 1/2-13 X 1-3/4 GR5 ZN	8
37	013790	BOLT, HHCS 1/2-13 X 2-1/4 GR5 ZN	4
38	388150	STOP, ECCENTRIC ROLL GAUGE	1
39	014770	BOLT, HHCS 1/2-13 X 1-1/2 GR5 ZN	8
40	P30940	SCRAPER, 30" ROLL	1
41	991200	BOLT, HHCS 1/2-13 X 2 GR5 ZN	4
42	416860	WRENCH, ROLLER MILL	4
43	W144750056	WASHER, FLAT #10 SAE	6

540 RPM 30" ROLLERMILL DRIVE ASSEMBLY



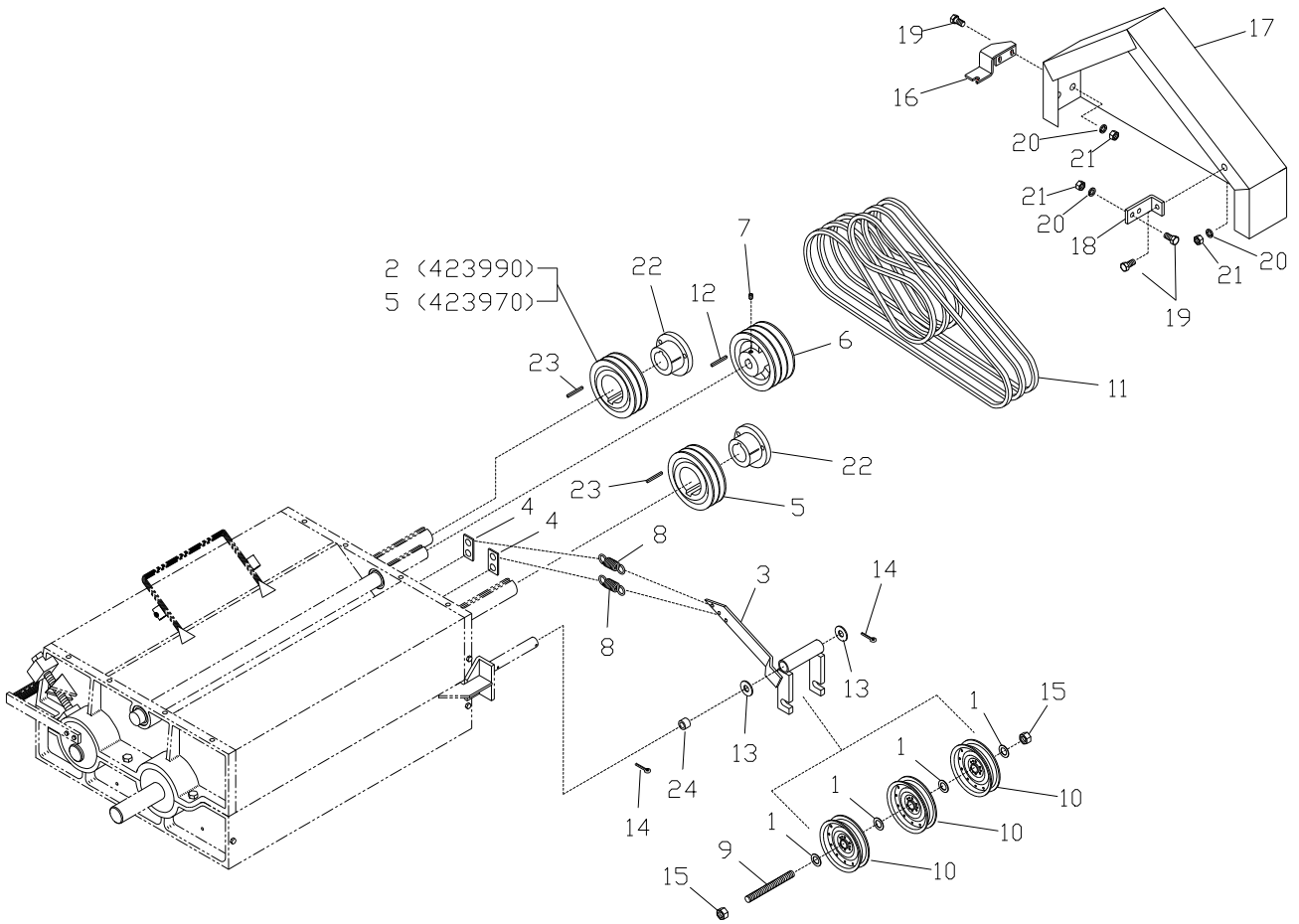
ITEM NO.	PART NUMBER	DESCRIPTION	QTY.
1	518711	PIN WLDT, FRONT DOOR WHITE	2
2	581930	GUARD, RUBBER PTO	2
3	1125843	SCREW, HSSS 3/8-16 X 3/8 GR8	2
4	471840	SPROCKET, 80B20 40MM BORE 1/4 KEYWAY	1
5	005200	WASHER, FLAT 1/2 STD	20
6	005360	NUT, HEX 1/2-13	16
7	005370	WASHER, LOCK 1/2 ZN	16
8	005390	BOLT, CRG 1/2-13 X 1 SSN GR5 ZN	10
9	010990	SCREW, HSSS 5/16-18 X 5/16 KNURLED POINT BLO	3
10	011530	KEY, SQUARE 1/4 X 1-1/4	1
11	G146921	BOLT, CRG 3/4-10 X 3 GR5 ZN	1
12	021180	WASHER, LOCK 3/8 ZN	8
13	021190	WASHER, FLAT 3/8 STD ZN	12
14	012260	BOLT, CRG 3/8-16 X 1 GR5 ZN	3
15	027260	NUT, HEX 3/8-16 GR5 ZN	8
16	587360	MOUNT WLDT, LH SHIELD 30" RM	1
17	587380	MOUNT WLDT, LH SHIELD 30" RM	1
18	030470	BOLT, CRG 1/2-13 X 1-1/4 SSN GR5 ZN	2
19	042040	KEY, SQUARE 1/2 X 2-3/4	2
20	116820	PIN, COTTER 1/16 X 3/4	2
21	587400	SHIELD WLDT, LH SIDE 30" RM	1
22	587440	SHIELD WLDT, RH SIDE 30" RM	1
23	121950	FLANGETTE, BEARING 1-5/8, 1-3/4 4-BOLT	4
24	036750	NUT, HEX 3/4-11 ZN	1
25	E504003	LATCH, RUBBER	2
26	215800	PIN, CLEVIS 1/4 X 1-5/8 ZN	2
27	577390	CHAIN, RC80-46 PITCHES	1
28	288130	BEARING, 1-3/4 X 85MM SOD W/COLLAR	2
29	386400	SHAFT, STUB	1
30	386440	SPROCKET WLDT, D60B36 2-1/4 BORE	1
31	594850	SPROCKET WLDT, D60B36 1-3/4 BORE W/OVERRUN. CLUTCH	1
	594790	REPAIR KIT, OVERRUNNING CLUTCH HUB (FOR 594790)	-
32	587490	STOP, LOWER SHIELD	1
33	587720	SHIELD, FILLER 30" RM	1
34	594620	MOUNT WLDT, MAIN DRIVE	1
35	036800	WASHER, LOCK 3/4 ZN	2
36	E126120	BUSHING, MACH. 3/4 X 1-1/4 X 18 GA.	13

540 RPM 30" ROLLERMILL DRIVE ASSEMBLY, (CONTINUED)



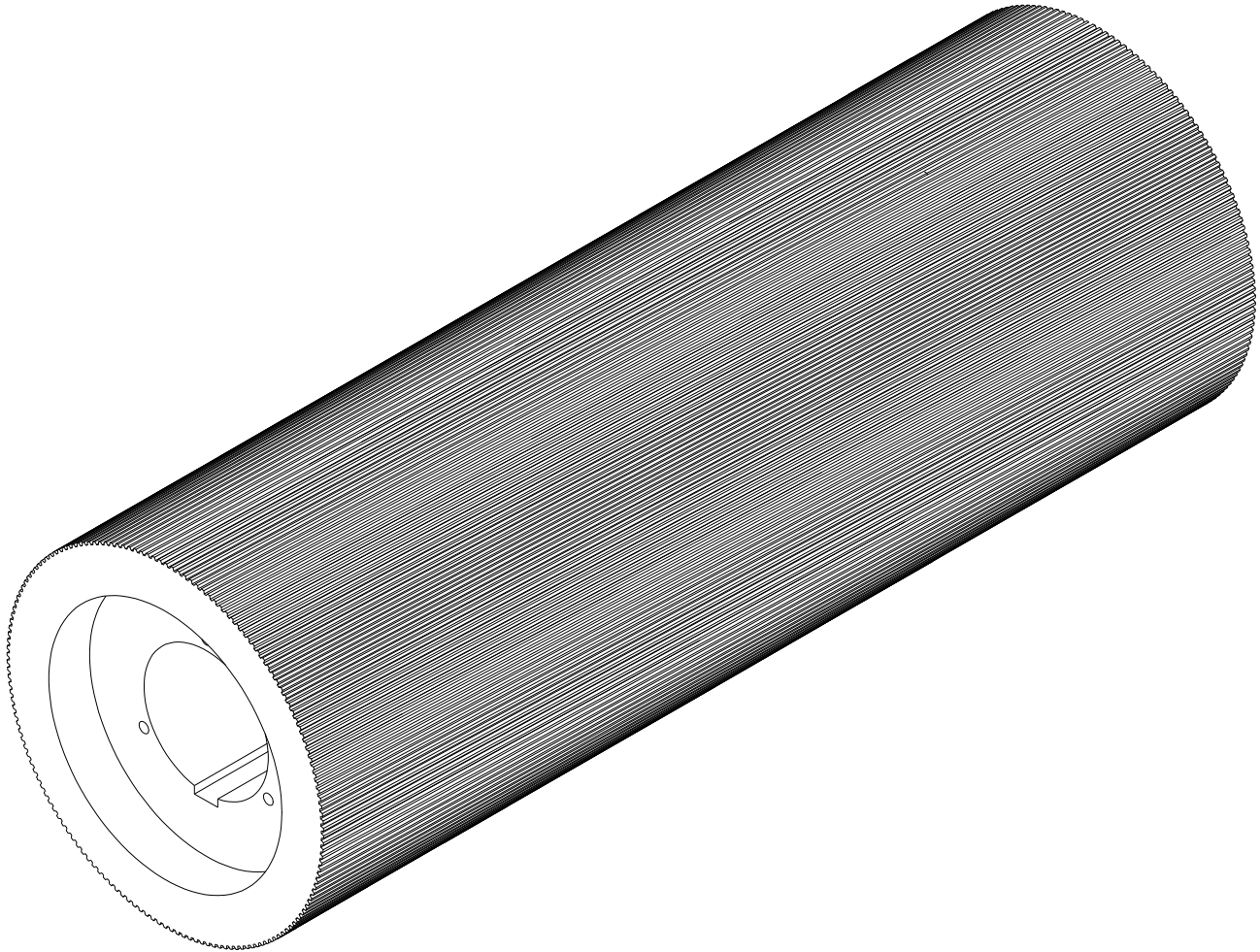
ITEM NO.	PART NUMBER	DESCRIPTION	QTY.
37	594710	ROLLER, IDLER RC80	1
38	387210	CHAIN, RC60-2 X 64 PITCHES	1
39	990830	BOLT, HHCS 3/4-10 X 3-1/2 GR5 ZN	1
40	JN71292	BOLT, HHCS 5/16-18 X 1/2 FLG GR5, ZN	2
41	991200	BOLT, CRG 1/2-13 X 2 GR5 ZN	2
42	584430	ANGLE, BACKING EYEBROW SHORT	4
43	584440	ANGLE, BACKING EYEBROW LONG	2
44	380690	PTO ASSY, 1-3/8 6B X 1-3/4 SBC (SEE PAGE 14)	1
45	036480	PIN, CLEVIS 5/16 X 3 ZN	1
46	020700	PIN, COTTER 5/32 X 1 CHISEL POINT	1
47	407760	BOLT, HHCS M10-1.5 X 60MM GR8.8 ZN	2
48	402630	NUT, HEX LOCK M10-1.5 ZN	2
49	1070819	RIVET, BLIND 3/16 X .450	28
50	022920	WASHER, FLAT 5/16 STD	2
51	023620	WASHER, LOCK 5/16 ZN	2
52	023630	NUT, HEX 5/16-18 ZN	2
53	254060	BOLT, CRG 5/16-18 X 1 SSN GR5 ZN	2
54	212510	BUMPER, RUBBER	4
55	991120	SCREW, RHMS #10-24 X 3/4 GR2 SLOTTED ZN	4
56	120590	NUT, HEX #10-24 GR2 ZN	4
57	120600	WASHER, LOCK #10 ZN	4
58	035180	BOLT, CRG 5/16-18 X 1 SSN GR5 ZN	6
59	035780	WASHER, SQUARE 1/4 X 1-3/4 PLAIN	2
60	035790	WASHER, SQUARE 3/8 X 1-3/4 PLAIN	2
61	384030	DECAL, DANGER 565 RPM SPEED	1
62	588560	STRAP, MOUNT SUPPORT FRONT SHIELD	1
63	006690	BOLT, HHCS 3/8-16 X 1-1/4 GR5 ZN	1
64	591580	ARM WLDT, TENSIONER	1
65	591600	LOOP WLDT, TENSIONER	1
66	591740	ROLLER, DOUBLE RC60 IDLE MASTER	1
67	594570	PIN WLDT, PIVOT TENSIONER	1
68	594680	TENSIONER WLDT, IDLER	1
69	115590	FITTING, 1/4-28 STRAIGHT	1
70	R66275	BOLT, J 3/8-16 X 8-1/8 FULL THREAD	1
71	J23096	SPRING, COMPRESSION 1.00 X 1.41 X 6.0	1
72	264780	WASHER, OVAL 5/8 X 1-1/4 X 1-1/2	1
73	JN72401	WASHER, CUPPED 13/32 X 1-9/16 X 1/4	2
74	E104310	BRACKET, HOOK RUBBER HOLD (IN 587400 & 587440)	RF

30" ROLLERMILL BELT DRIVE ASSEMBLY



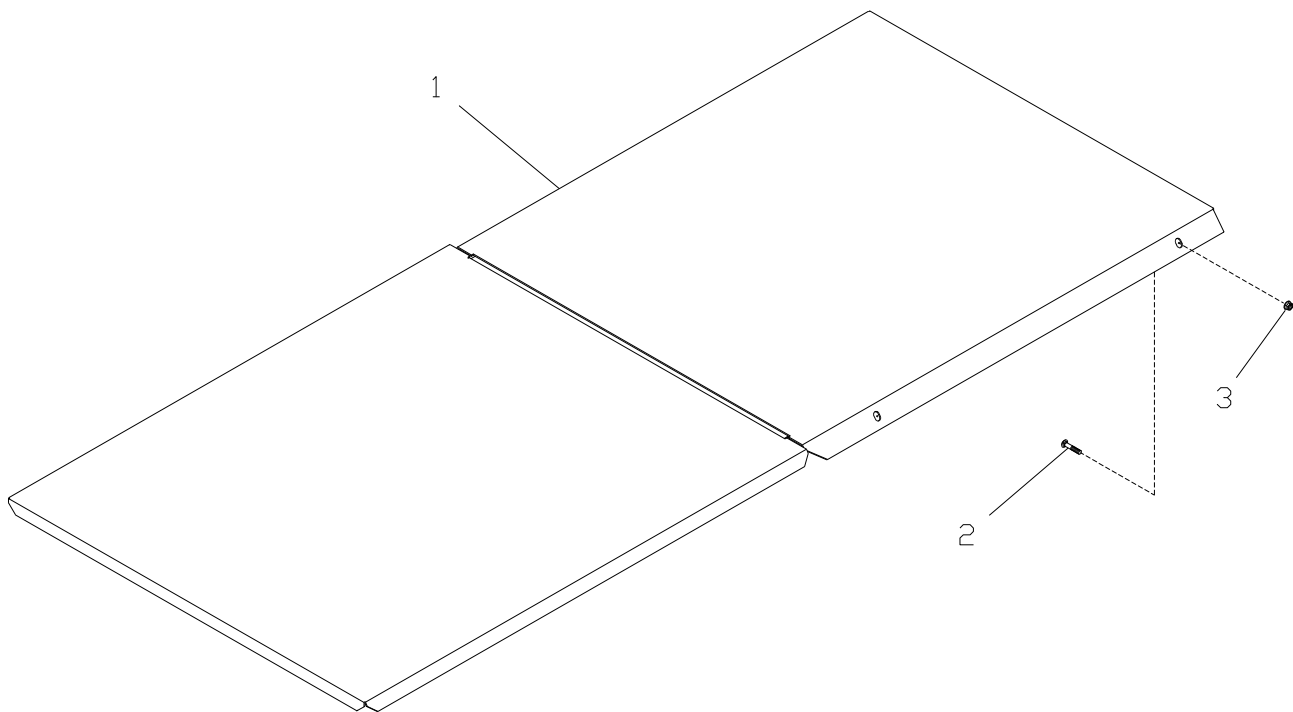
ITEM NO.	PART NUMBER	DESCRIPTION	QTY. (1:1.12)	QTY. (1:1)
1	E126120	BUSHING, MACH..75 X 1.25 X 18 GA.	4	4
2	423950	PULLEY, ROLL SPEED DIFFERENTIAL	1	-
3	P30953	BRACKET WLDT, BELT TIGHTENER	1	1
4	P30957	BRACKET, SPRING	2	2
5	423960	PULLEY, ROLL DRIVE	1	2
6	P30882	PULLEY, AGITATOR	1	1
7	P98298	SCREW. AHSS 3/8-16 X 1/2	1	1
8	P98379	SPRING, BELT, TIGHTENER 1 X 6	2	2
9	P36153	SHAFT, TIGHTENER FULL THREAD 5/8-11	1	1
10	P99025	PULLEY, IDLER .634 BORE 4.37 O.D.	3	3
11	P99712	BELT, ROLL DRIVE BB-81	3	3
12	014630	KEY, SQUARE 1/4 X 2	1	1
13	020430	WASHER, FLAT 5/8 STD	12	9
14	124340	PIN, COTTER 3/16 X 1-1/2	1	1
15	020450	NUT, HEX 5/8-11 GR2 ZN	2	2
16	388080	MOUNT WLDT, SHIELD	1	1
17	P36731	GUARD WLDT, BELT	1	1
18	P36735	BRACKET, REAR	1	1
19	012140	BOLT, HHCS 5/16-18 X 3/4 GR5 ZN	5	5
20	023620	WASHER, LOCK 5/16 ZN	5	5
21	023630	NUT, HEX 5/16-18 ZN	5	5
22	E126080	BUSHING, SPLIT TAPER Q1 2 X 1/4 X 1/2	2	2
23	401320	KEY, SQUARE 1/2 X 2-1/2	2	2
24	395260	SPACER, IDLER	-	1

30" NEW OR RE-GROOVED ROLLS



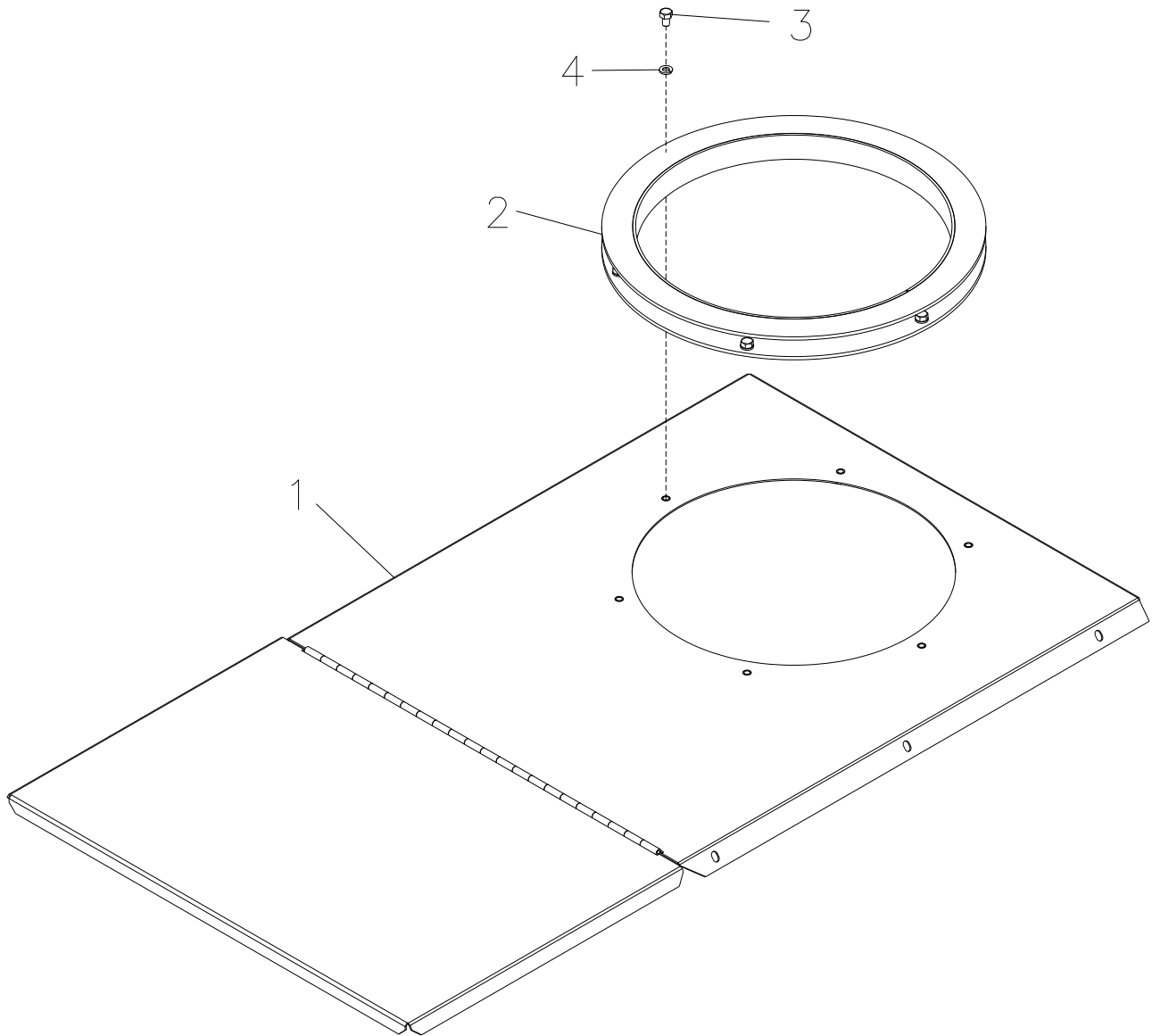
ITEM NO.	PART NUMBER	DESCRIPTION	QTY. (REGROOVED)	QTY. (NEW)
-	370080	ROLL ASSY,5-GROOVE FLAT (SHOWN)	-	1
-	396800	ROLL ASSY,5-GROOVE SHARP	-	1
-	370090	ROLL ASSY,7-GROOVE FLAT	-	1
-	396840	ROLL ASSY,7-GROOVE SHARP	-	1
-	370100	ROLL ASSY,10-GROOVE FLAT	-	1
-	390400	ROLL ASSY,10-GROOVE SHARP	-	1
-	389080	ROLL ASSY,12-GROOVE SHARP	-	1
-	370081	ROLL ASSY,5-GROOVE FLAT (SHOWN)	1	-
-	396801	ROLL ASSY,5-GROOVE SHARP	1	-
-	370091	ROLL ASSY,7-GROOVE FLAT	1	-
-	396841	ROLL ASSY,7-GROOVE SHARP	1	-
-	370101	ROLL ASSY,10-GROOVE FLAT	1	-
-	390401	ROLL ASSY,10-GROOVE SHARP	1	-
-	389081	ROLL ASSY,12-GROOVE SHARP	1	-

30" OFFSET HOPPER W/O AUGER FEEDER COVER ASSEMBLY



ITEM NO.	PART NUMBER	DESCRIPTION	QTY.
1	455060	COVER WLDT, W/O AUGER FEEDER 30" RM	1
2	035290	NUT, HEX 1/2-13	4
3	020190	WASHER, LOCK 1/2 ZN	4

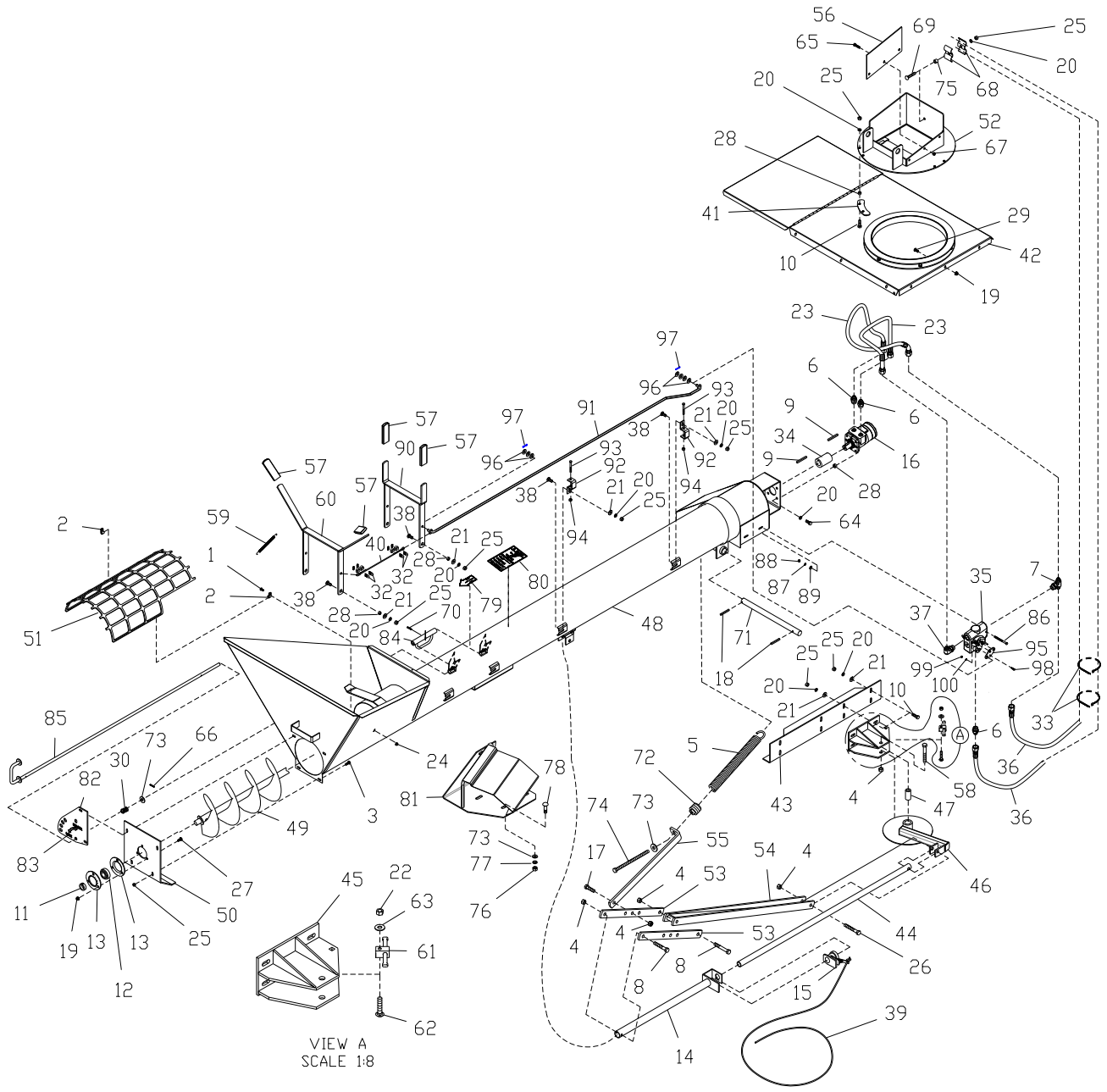
30" OFFSET HOPPER W/ AUGER FEEDER COVER ASSEMBLY



ITEM NO.	PART NUMBER	DESCRIPTION	QTY.
1	590610	COVER WLDT, OFFSET W/AUGER FEEDER 30" RM	1
2	590630	RING WLDT, HOPPER 30" RM	1
3	136470	BOLT, HHCS 5/16-18 X 5/8 GR5 ZN	4
4	023620	WASHER, LOCK 5/16 ZN	6

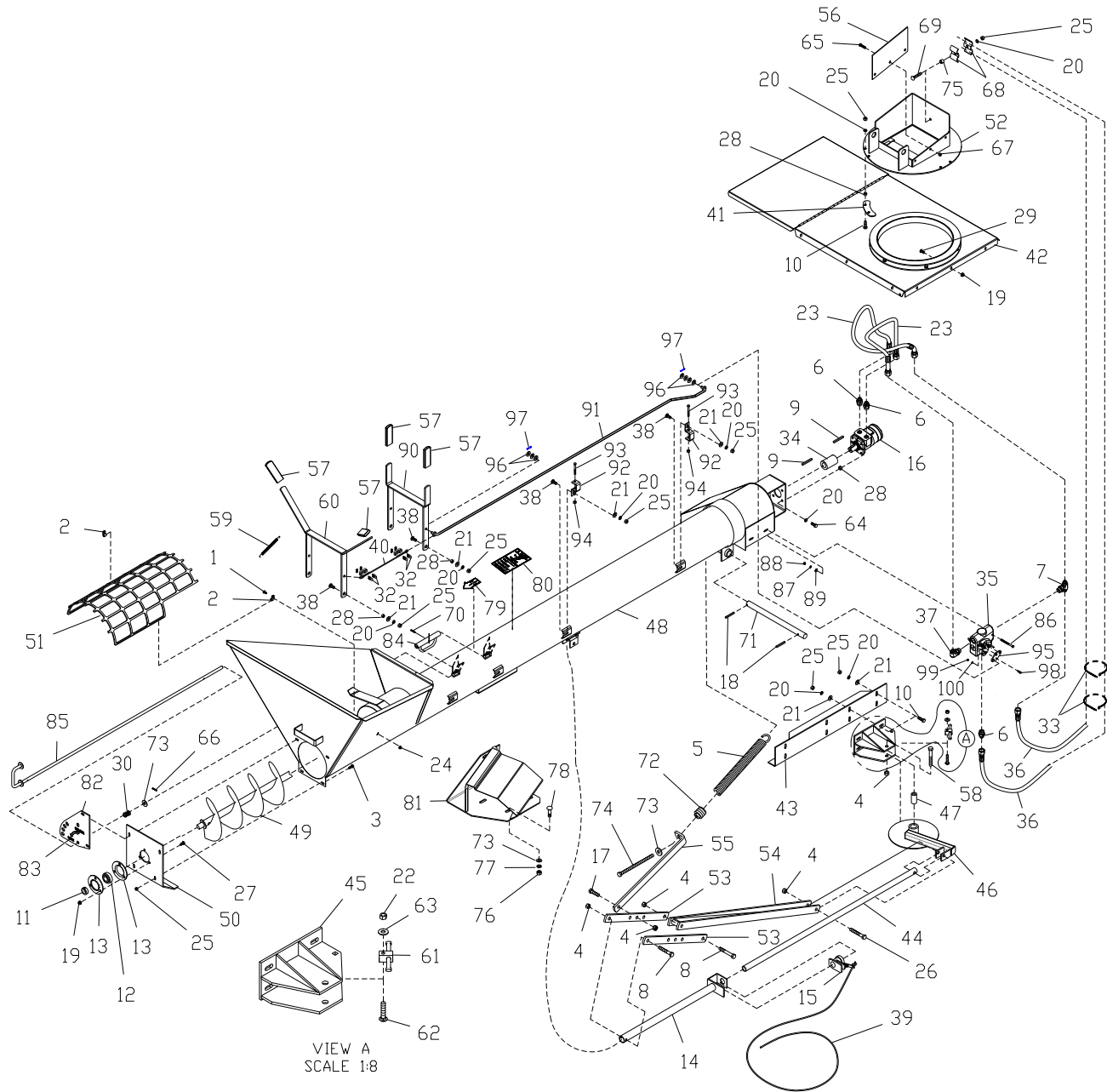
ITEM NO.	PART NUMBER	DESCRIPTION	QTY.
1	006880	BOLT, HHCS 5/16-18 X 0.62 GR5, ZN	6
2	019150	FLANGETTE, BEARING 1.12 3 BOLT RD	2
3	020180	NUT, LOCK 3/8-16 HEX FLG GR5	3
4	020190	NUT, LOCK 5/16-18 HEX FLG G5	16
5	020700	PIN, COTTER 5/32 X 1.0 CHISEL	1
6	021210	PIN, COTTER 3/32 X 1.0 ZN	2
7	021430	PIN, CLEVIS 3/8 X 2.25 GR5, ZN	1
8	022920	WASHER, FLAT 0.375 X 0.875 X 0.083 ZN	1
9	025760	BOLT, HHCS 5/16-18 X 1.5 GR5, ZN	2
10	108850	BEARING, 1.12 SOD SPRING LOCK	1
11	126540	LID WLDT, SUPPLEMENT HOPPER	1
12	128040	PLATE, HOLE COVER	1
13	470950	CUTTER, SACK	1
14	560700	GRATE, WLDT, SUPPLEMENT HOPPER	1
15	169340	BOLT, CRG 5/16-18 X 0.50 SSN GR2	4
16	170530	BOLT, CRG 3/8-16 X 1.0 SSN GR5	3
17	583600	HOPPER WLDT, SUPPLEMENT EXTENDED	1
18	365140	COVER, SUPPLEMENT HOPPER	1
19	365150	AUGER WLDT, CONCENTRATE TANK	1
20	560710	GRATE WLDT, ANGLED HOPPER	1
21	I669184R1	CLAMP, SHIELD LATCH	1
22	I159920	SCREW, PHMS 10-24 X 1/2	2
23	120600	WASHER, LOCK #10	2
24	120590	NUT, HEX 10-24	2

HYDRAULIC AUGER FEEDER ASSEMBLY



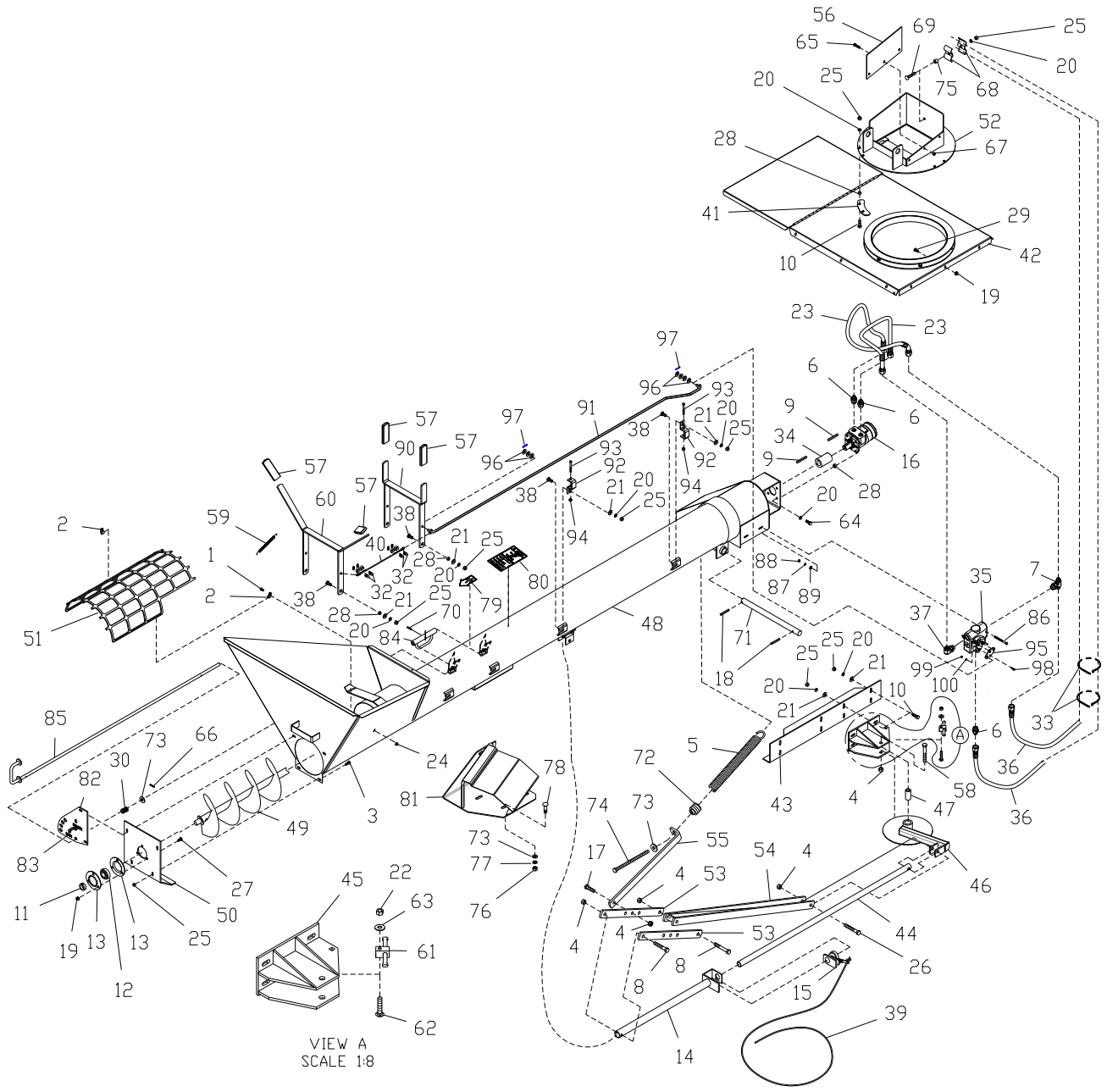
ITEM NO.	PART NUMBER	DESCRIPTION	QTY.
1	E096029	BOLT, CRG 1/4-20 X 3/4 ZN	2
2	E180006	CLIP, WIRE	3
3	012410	BOLT, HHCS 5/16-18 X 3/4 GR5 ZN	4
4	I9413967	NUT, LOCK 1/2-13 HEX GR5 CAD	6
5	113470	SPRING, 2" DIA. X 14" LONG	1
6	MP3202101	ADAPTER, STRAIGHT	3
7	585150	ADAPTER, TEE-8 MJIC	1
8	038560	BOLT, HHCS 1/2-13 X 4 GR5 ZN	2
9	011530	KEY, SQUARE 1/4 -1-1/4	2
10	012260	BOLT, HHCS 3/8-16 X 1 GR5 ZN	15
11	012300	COLLAR, LOCK 1.0	1
12	012310	BEARING, ADAPTER 1 SOD	1
13	012330	FLANGETTE, BRG 7/8 X 1.0, 3-BOLT ROUND	2
14	014130	SUPPORT, PIPE JACK TOP	1
15	014140	CLAMP, DRAG FEED ONLY	1
16	585120	MOTOR, HYD. 12 CU. IN. (SEE PAGE 46)	1
17	014770	BOLT, HHCS 1/2-13 X 1-1/2 GR5 ZN	1
18	018920	PIN, ROLL 1/4 X 1-3/4 ZN	2
19	020190	NUT, LOCK 5/16-18 HEX FLG GR5 ZN	16
20	021180	WASHER, LOCK 3/8 ZN	24
21	021190	WASHER, FLAT 3/8 STD 7/16 X 1 X 5/64 ZN	16
22	023060	NUT, LOCK 3/8-16 2-WAY	9
23	585180	HOSE ASSY, HYD. 1/2-20", -8FJIC 45 DEG. -8FJIC	2
24	023270	NUT, LOCK 1/4-20 HEX FLG GR5 ZN	2
25	027260	NUT, HEX 3/8-16 GR5 ZN	15
26	031580	BOLT, HHCS 1/2-13 X 2-3/4 GR5 ZN	1
27	254060	BOLT, CRG 5/15-18 X 1 SSN GR5 ZN	3
28	033460	SPACER, .38 ID X .56 OD X .312	14
29	035290	BOLT, CRG 5/15-18 X 5/8 GR2 ZN	9
30	129310	SPRING, COMP	1
31	114370	PIN, COTTER 1/4 X 2 ZN	1
32	129260	CABLE, CLIP 1/8 CABLE	4
33	149670	TIE, NYLON CABLE	6
34	160140	COLLAR, SHAFT ROLL FEED	1

HYDRAULIC AUGER FEEDER ASSEMBLY, (CONTINUED 1)



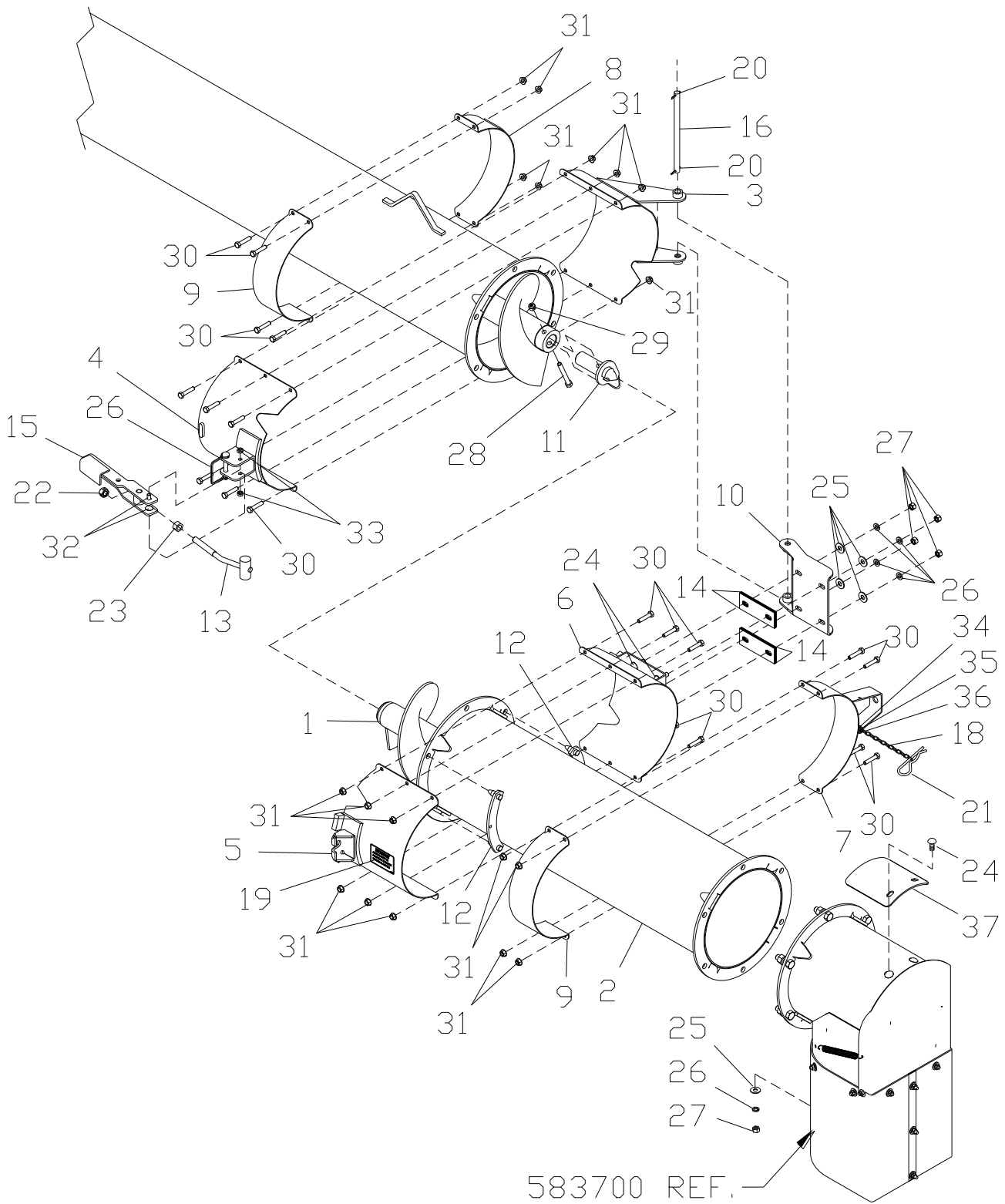
ITEM NO.	PART NUMBER	DESCRIPTION	QTY.
35	585130	VALVE ASSY, HYD. (SEE PAGE 46)	1
36	585190	HOSE ASSY, HYD. 1/2-120", -8FJIC -8FJIC	2
37	MP32.03794	ADAPTER, 90 DEG. ELBOW	1
38	170530	BOLT, CRG 3/8-16 X 1 SSN GR5 ZN	14
39	211490	ROPE, POLYPROPOLENE 102" LONG	1
40	593960	CABLE, CLUTCH AF SHUT-OFF	1
41	349470	PLATE, CLAMP	3
42	594770	COVER ASSY, OFFSET HOPPER 30" (SEE PAGE 40)	1
43	388110	MOUNT WLDT, SUPPORT	1
44	371060	PIPE, LOWER	1
45	587590	SUPPORT WLDT, LOWER AF 30" RM	1
46	587610	PIVOT WLDT, LOWER AF 30" RM	1
47	371130	BUSHING, 1.0 OD X .561 ID X 1.9	1
48	594810	HOUSING WLDT, AF 30" RM	1
49	371260	AUGER WLDT, GRAIN	1
50	371320	PANEL, HOPPER BEARING	1
51	560720	GRATE, GUARD AUGER FEEDER	1
52	372910	CAP WLDT, HOPPER	1
53	372970	STRAP, SPRING ADJUSTMENT	2
54	577080	SUPPORT WLDT, AUGER FEEDER	1
55	372990	STRAP, SPRING EXTENSION	1
56	373000	FLAP, RUBBER GRAIN	1
57	021560	GRIP CLUTCH HANDLE	4
58	990840	BOLT, HHCS 1/2-13 X 3 GR5 ZN	1
59	100750	SPRING, EXTENSION	1
60	587650	HANDLE WLDT, AF SHUT-OFF	1
61	160560	HANDLE ASSY, BRAKE	1
62	E096042	BOLT, CRG 3/8-16 X 1-3/4 GR2 ZN	1
63	012270	WASHER, FLAT 13/32 X 1-3/4 X 9/64 PLAIN	1
64	022420	BOLT, HHCS 3/8-16 X 3/4 GR5 ZN	4
65	005900	BOLT, HHCS 5/16-18 X 1 GR5 ZN	3
66	012560	PIN, ROLL 3/16 X 1	1
67	025670	NUT, LOCK 5/16-18 HEX ZN	3
68	413050	CLAMP, HOSE SHORT	2

HYDRAULIC AUGER FEEDER ASSEMBLY, (CONTINUED 2)



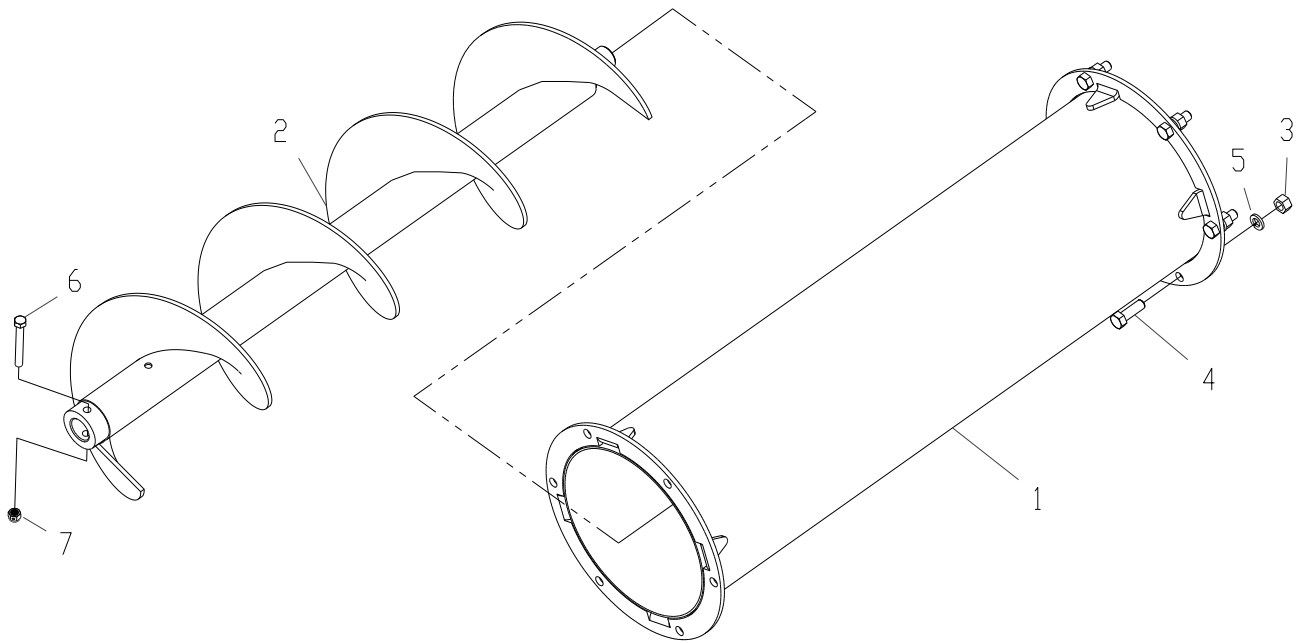
ITEM NO.	PART NUMBER	DESCRIPTION	QTY.
69	J03H1558	BOLT, CRG 3/8-16 X 1-1/2 SSN GR5	1
70	C01-0103-F	PIN, ROLL 3/16 X 3/4	1
71	373010	ROD, AUGER PIVOT	1
72	113490	NUT, SPRING RETAINING	1
73	005200	WASHER, FLAT 1/2 STD	4
74	384270	BOLT, HHCS 1/2-13 X 7 FULL THREAD	1
75	P98458	SPACER, SPLIT PIPE	1
76	005360	NUT, HEX 1/2-13	2
77	005370	WASHER, LOCK 1/2 ZN	2
78	030470	BOLT, CRG 1/2-13 1-1/4 GR5 ZN	2
79	158520	DECAL, A-W STOP AUGER FEEDER	1
80	383990	DECAL, DANGER AUGER FEEDER HAZARD	1
81	587670	MOUNT WLDT, AF 30" RM	1
82	587580	PLATE, END AF HOLD DOWN 30" RM	1
83	586320	DECAL, AF LATCH 'LOCK'-'UNLOCK'	1
84	583410	LATCH WLDT, AF	1
85	583490	ROD WLDT, AF	1
86	031560	HHCS, 1/4-20 X 2-1/2	2
87	029440	WASHER, LOCK 1/4 SAE MED	2
88	027660	NUT, HEX 1/4-20-D-N	2
89	023260	WASHER, FLAT 1/2 STD	2
90	594720	HANDLE WLDT, AUGER FEEDER ON-OFF	1
91	594740	LINKAGE WLDT, ROLLER MILL AF SHUTOFF	1
92	594760	STRAP, ROD GUIDE RM AF SHUTOFF	2
93	022910	BOLT, HHCS 5/16-18 X 2-1/4 GR5 ZN	2
94	181570	NUT, LOCK 5/16-18 ZN NYLON HEX	2
95	581770	TAB, AF SHUTOFF	1
96	I120394	WASHER, FLAT 3/8 SAE	7
97	023090	PIN, COTTER 3/32 X 3/4	2
98	991120	SCREW, RHMS #10-24 X 3/4 GR2 SLOTTED ZN	2
99	120590	NUT, HEX #10-24 GR2 ZN	1
100	120600	WASHER, LOCK #10 ZN	1

FOLDING DISCHARGE AUGER EXTENSION ASSEMBLY



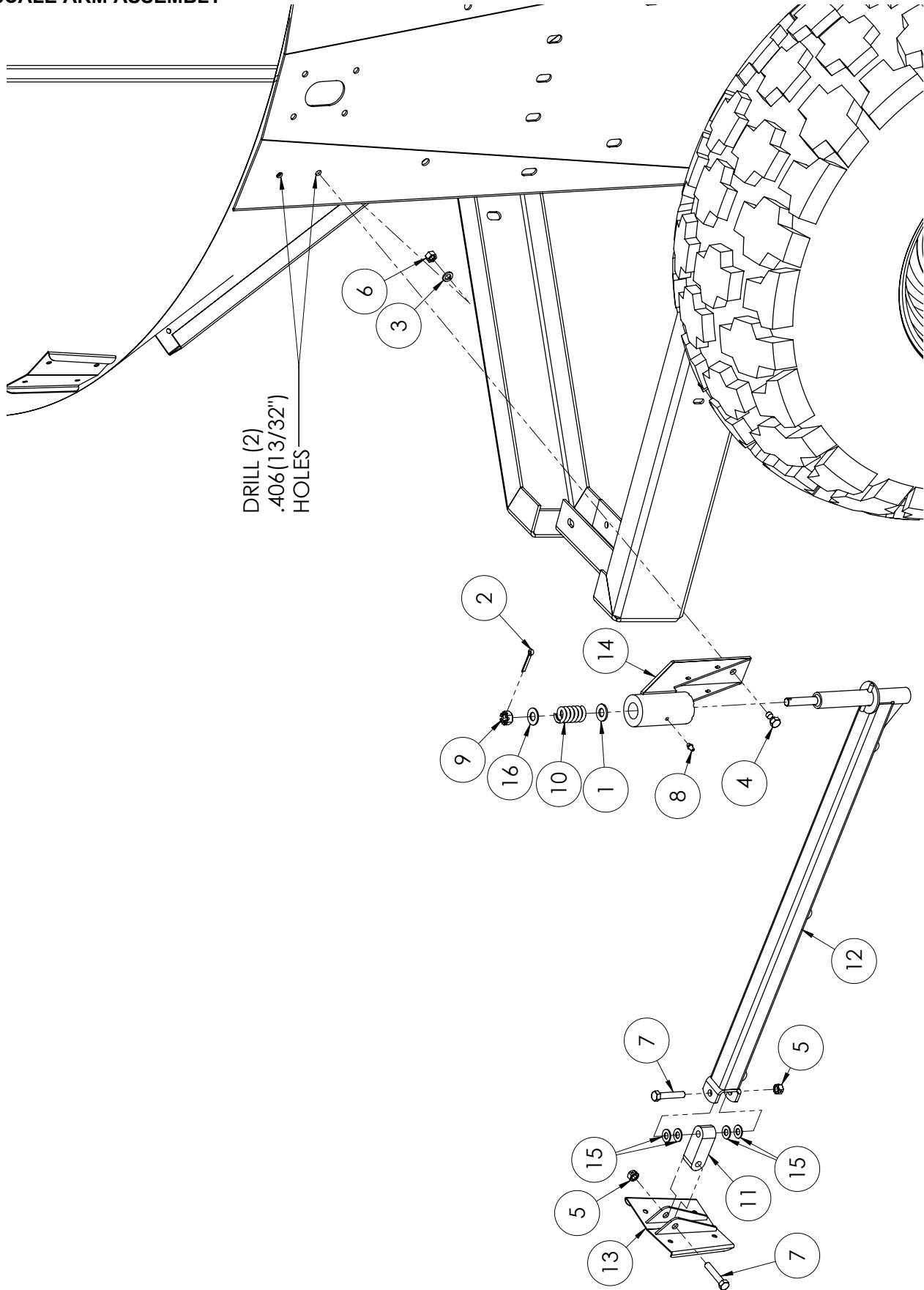
ITEM NO.	PART NUMBER	DESCRIPTION	3' QTY.	6' QTY.
1	586140	AUGER WLDT, 3' (SHOWN)	1	-
	584600	AUGER WLDT, 6'	-	1
2	584410	TUBE WLDT, 3' (SHOWN)	1	-
	583300	TUBE WLDT, 6'	-	1
3	583840	CLAMP WLDT, DISCHARGE OUTER	1	1
4	583880	CLAMP WLDT, DISCHARGE INNER	1	1
5	583890	CLAMP WLDT, EXTENSION INNER	1	1
6	583990	CLAMP WLDT, EXTENSION OUTER	1	1
7	583930	CLAMP WLDT, W/STRAP	1	1
8	583960	CLAMP WLDT, W/PIN	1	1
9	584960	BAND, CLAMPING 2-HOLE	2	2
10	586850	HINGE WLDT, ADJUSTABLE EXTENSION	1	1
11	584630	PIN WLDT, PILOT	1	1
12	587240	ANCHOR WLDT, PIN	2	2
13	587220	T-BAR WLDT, LATCH	1	1
14	586880	SHIM, EXTENSION HINGE	AR	AR
15	127830	HANDLE WLDT	1	1
16	144640	PIN, PIVOT	1	1
17	143710	PIN, SNAPPER	1	1
18	143700	CHAIN, 8" LONG	1	1
19	144650	DECAL, IMPORTANT AUGER ENGAGEMENT	1	1
20	034360	PIN, COTTER, 1/8 X 1 ZN	2	2
21	035830	PIN, BRIDGE 3/16 X 1-1/2 INTERNAL HAIR ZN	1	1
22	127890	NUT, LOCK 1/2-13 HEX ZN	1	1
23	005360	NUT, HEX 1/2-13 ZN	1	1
24	035180	BOLT, CRG 3/8-16 X 1-1/4 SSN GR5 ZN	6	6
25	021190	WASHER, FLAT 3/8 STANDARD ZN	6	6
26	021180	WASHER, LOCK 3/8 ZN	6	6
27	027280	NUT, HEX 3/8-16 ZN	6	6
28	990820	BOLT, HHCS 3/8-16 X 3 GR5 ZN	1	1
29	073630	NUT, LOCK 3/8-16	1	1
30	025760	BOLT, HHCS 5/16-18 X 1-1/2 GR5 ZN	20	20
31	020190	NUT, LOCK 5/16-18 GR5 ZN HEX FLG	20	20
32	012410	BOLT, CRG 5/16-18 X 3/4 SSN ZN	2	2
33	025670	NUT, HEX 5/16-18	2	2
34	218300	BOLT, HHMS #10-24 X 1/2 ZN	1	1
35	W144750056	WASHER, FLAT #10 SAE	1	1
36	124300	NUT, LOCK #10-24 HEX	1	1
37	590730	PLATE, BEARING REINFORCING	1	1

BOLT-ON DISCHARGE AUGER EXTENSION ASSEMBLY



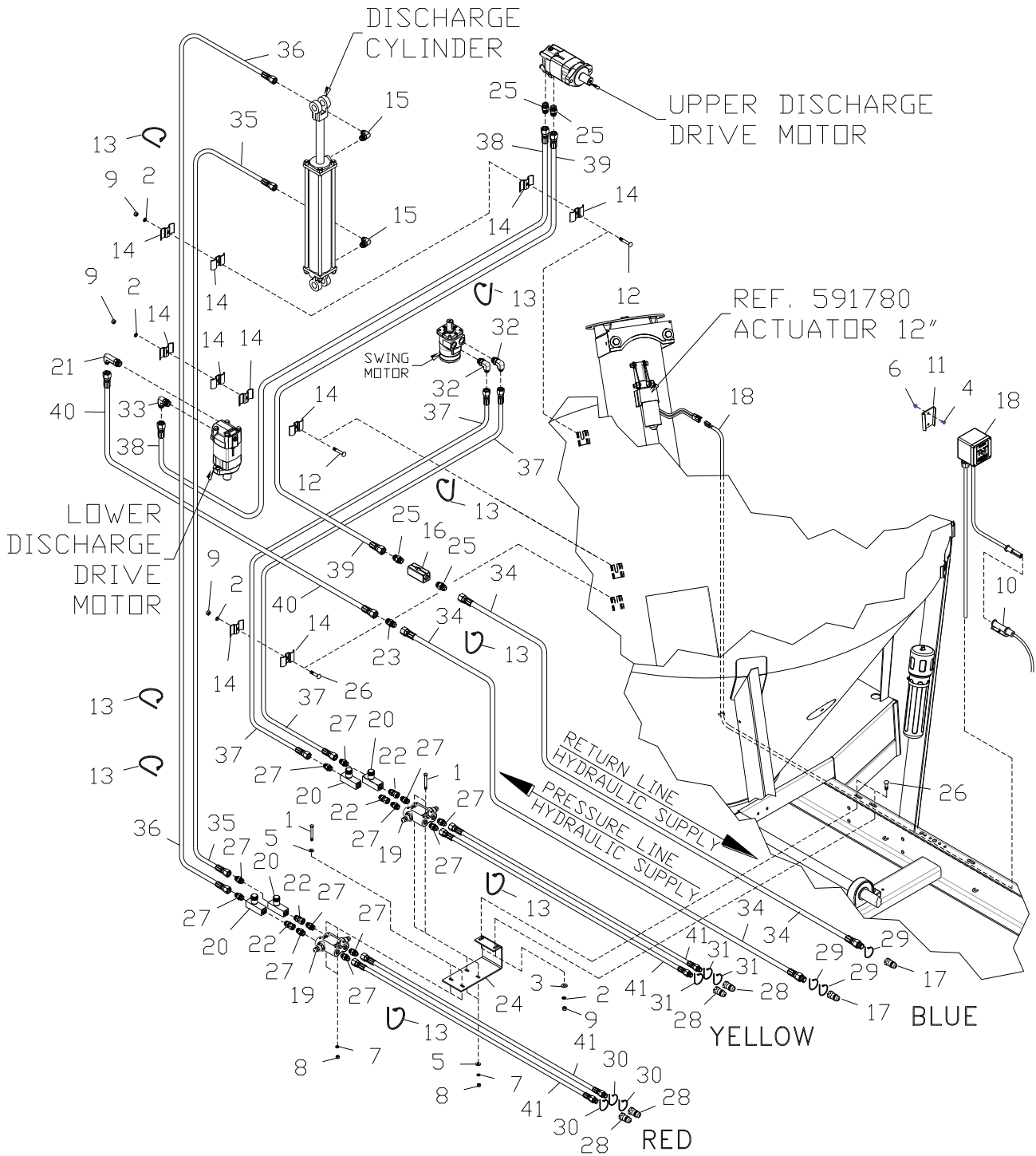
ITEM NO.	PART NUMBER	DESCRIPTION	3' QTY.	6' QTY.
1	584410	TUBE WLDT, 3'(SHOWN)	1	-
	583300	TUBE WLDT, 6'	-	1
2	584970	AUGER WLDT, 3'(SHOWN)	1	-
	583320	AUGER WLDT, 6'	-	1
3	005360	NUT, HEX 1/2-13	6	6
4	014770	BOLT, HHCS 1/2-13 X 1-1/2 GR5 ZN	6	6
5	005370	WASHER, LOCK 1/2 ZN	6	6
6	990820	BOLT, HHCS 3/8-16 X 3 GR5 ZN	1	1
7	073630	NUT, LOCK 3/8-16	1	1

SCALE ARM ASSEMBLY



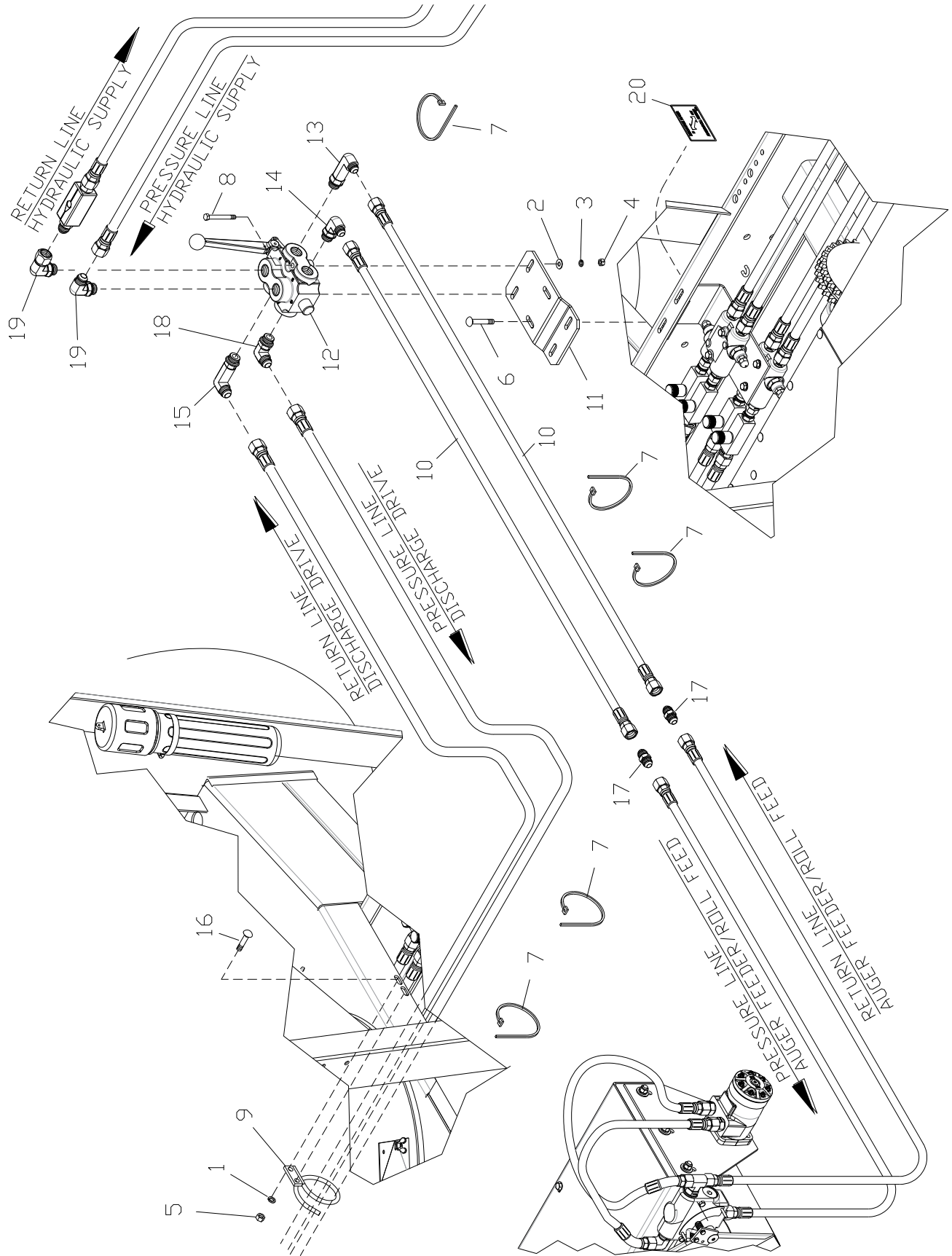
ITEM NO.	PART NUMBER	DESCRIPTION	QTY.
1	005200	WASHER, FLAT 1/2 STD	1
2	020700	COTTER PIN, 3/16 X 2 1/2	1
3	021180	WASHER, LOCK 3/8	2
4	022420	BOLT, HHCS 3/8-16 X 3/4"	2
5	023060	NUT, LOCK 3/8-16 2 WAY	2
6	027260	NUT, HEX 3/8-16 GR5	2
7	037790	BOLT, HHCS 3/8-16 X 2	2
8	115590	FITTING, GREASE	1
9	129830	NUT, SLOTTED 7/8-14 GR5	1
10	342890	SPRING, COMP.	1
11	400800	BLOCK, PIVOT	1
12	529560	ARM WLDT,	1
13	529630	BRACKET WLDT,	1
14	626960	MOUNT WLDT, ARM EXT.	1
15	I120394	WASHER, FLAT 3/8 SAE	4
16	I120396	WASHER, FLAT 1/2"	1

HYDRAULICS TO TRACTOR ASSEMBLY



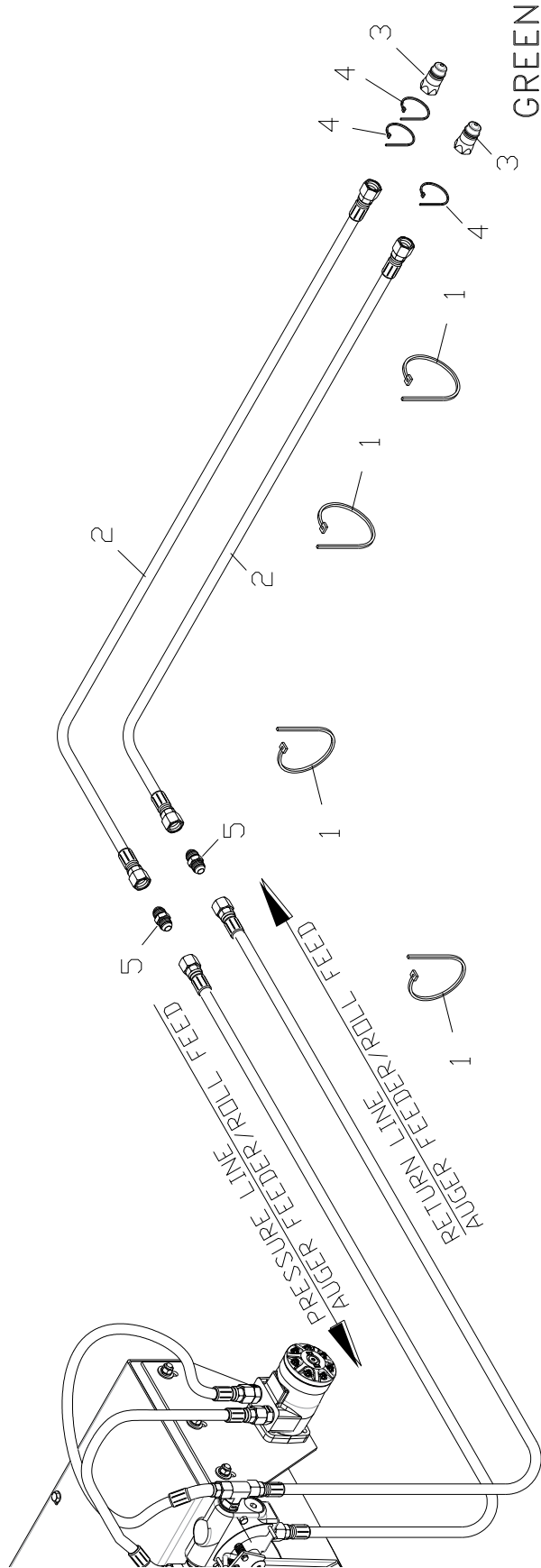
ITEM NO.	PART NUMBER	DESCRIPTION	QTY.
1	009800	BOLT, HHCS 5/16-18 X 2-1/2	4
2	021180	WASHER, LOCK 3/8 ZN	5
3	021190	WASHER, FLAT 3/8 STD ZN	2
4	021240	SCREW, TRUSS HEAD 1/4"-20 X 1/2"	2
5	022920	WASHER, FLAT 5/16 STD ZN	4
6	023270	NUT, LOCK 1/4"-20 HEX FLANGE	2
7	023620	WASHER, LOCK 5/16 ZN	4
8	023630	NUT, HEX 5/16-18 GR5 ZN	4
9	027260	NUT, HEX 3/8-16 GR5 ZN	5
10	036780	CONNECTOR, POWER CORD (FEMALE)	1
11	039261	BRACKET, SMV EMBLEM MTG	1
12	041450	BOLT, CRG 3/8-16 X 2 GR5 ZN	2
13	149670	TIE, NYLON CABLE 3/16" X 11"	10
14	413050	CLAMP, HOSE	10
15	530210	ADAPTER, 90° SAE -16 MJIC X -16 MORB	2
16	530340	VALVE, CHECK SAE -10 FORB INLINE	1
17	576100	COUPLER, HYD -10 ORB	2
18	591790	BOX ASSY, REMOTE ACTUATOR	1
19	591920	VALVE, DUAL RELIEF ADJUSTABLE	2
20	591930	VALVE, FLOW CONTROL	4
21	591990	ELBOW, 90° X-LONG SAE -10 MORB X -10 MJIC	1
22	592520	ADAPTER, STR -10 JIC-M7/8 ORB	4
23	592530	ADAPTER, UNION -10 MJIC	1
24	593990	BRACKET, HYD VALVE MTG	1
25	I2185062	ADAPTER, STR -10 JIC -10 ORB	4
26	J03H1558	BOLT, CRG 3/8-16 X 1-1/2 SSN GR5 ZN	3
27	MP09.74155	CONNECTOR, SAE -8 MORB X -8 MJIC	12
28	MP09.74158	COUPLER, HYD -8 ORB	4
29	MP17.00564	CABLE, TIE - BLUE	3
30	MP17.00565	CABLE, TIE - RED	3
31	MP17.00566	CABLE, TIE - YELLOW	3
32	MP32.03794	ELBOW, 90° SAE -8 MORB X -8 MJIC	2
33	MP907670	ELBOW, 90° SAE -10 MORB X -10 MJIC	1
34	576270	HOSE ASSY, HYD 5/8 X 155" SAE -10 MORB X -10 FJIC	2
35	585550	HOSE ASSY, HYD 1/2 X 149" SAE -8 FJIC X -8 FJIC	1
36	585560	HOSE ASSY, HYD 1/2 X 170" SAE -8 FJIC X -8 FJIC	1
37	585570	HOSE ASSY, HYD 1/2 X 96" SAE -8 FJIC X -8 FJIC	2
38	585580	HOSE ASSY, HYD 5/8 X 149" SAE -10 FJIC X -10 FJIC	1
39	585590	HOSE ASSY, HYD 5/8 X 245" SAE -10 FJIC X -10 FJIC	1
40	585600	HOSE ASSY, HYD 5/8 X 96" SAE -10 FJIC X -10 FJIC	1
41	591950	HOSE ASSY, HYD 1/2 X 155" SAE -8 MORB X -8 FJIC	4

HYDRAULICS TO TRACTOR SELECTOR VALVE ASSEMBLY



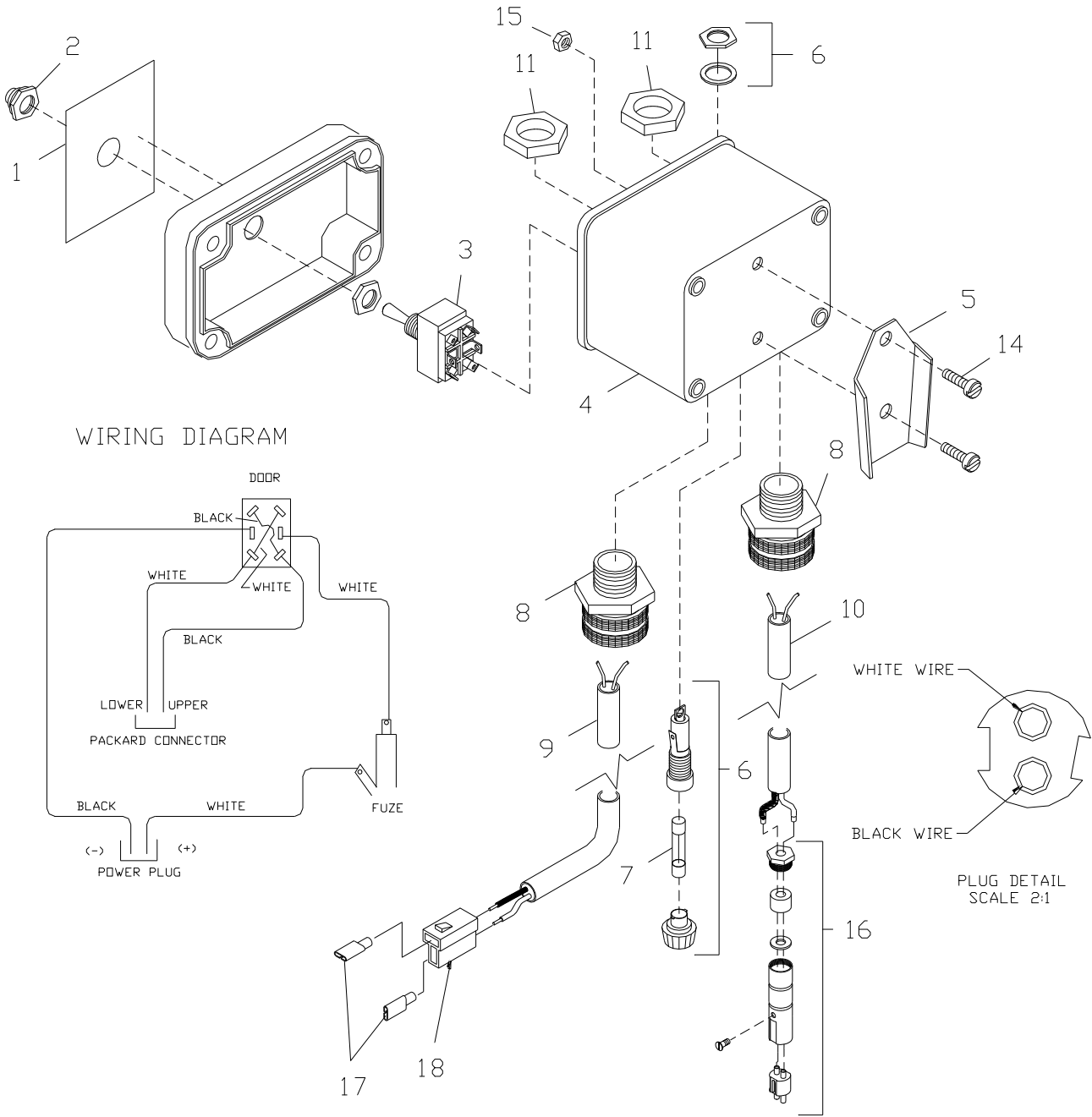
ITEM NO.	PART NUMBER	DESCRIPTION	QTY.
1	021180	WASHER, LOCK 3/8 ZN	2
2	022920	WASHER, FLAT 5/16 STD ZN	2
3	023620	WASHER, LOCK 5/16 ZN	2
4	023630	NUT, HEX 5/16-18 GR5 ZN	2
5	027260	NUT, HEX 3/8-16 GR5 ZN	2
6	041450	BOLT, CRG 3/8-16 X 2 GR5 ZN	2
7	149670	TIE, NYLON CABLE 3/16" X 11"	6
8	160230	BOLT, HHCS 5/16-18 X 3 GR5 ZN	2
9	212610	HOLDER WLDT, SWIVEL RING	1
10	528390	BRACKET, HYD. VALVES	1
11	580950	HOSE ASSY, HYD 1/2 X 63" SAE -8 FJIC X -8 FJIC	2
12	591940	VALVE, DOUBLE SELECTOR -10 SAE PORTS	1
13	591990	ELBOW, 90° X-LONG SAE -10 MORB X -10 MJIC	1
14	592510	ELBOW, 90° ADAPTER -10 MORB -10 FJIC	1
15	594840	ELBOW, 90° X-LONG SAE -10 MORB X -8 MJIC	1
16	J03H1558	BOLT, CRG 3/8-16 X 1-1/2 SSN GR5 ZN	2
17	MP32.01952	UNION, SAE -8 MJIC	2
18	MP32.03794	ELBOW, 90° SAE -8 MORB X -8 MJIC	1
19	MP907670	ELBOW, 90° SAE -10 MORB X -10 MJIC	2
20	591750	DECAL, SELECTOR VALVE	1

HYDRAULICS TO TRACTOR NON-SELECTOR VALVE AUGER/ROLL FEEDER

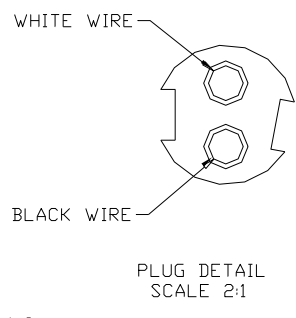
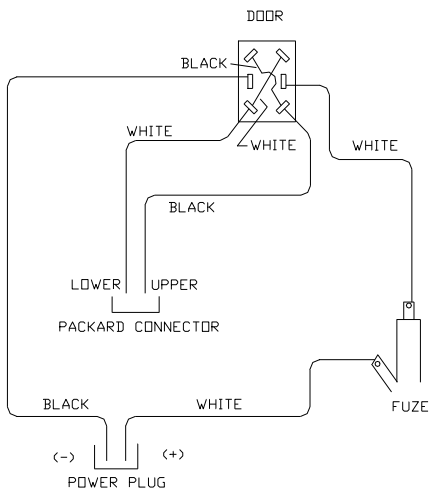


ITEM NO.	PART NUMBER	DESCRIPTION	QTY.
1	149670	TIE, NYLON CABLE 3/16" X 11"	4
2	591950	HOSE ASSY, HYD 1/2 X 155" SAE -8 MORB X -8 FJIC	2
3	MP09.74158	COUPLER, HYD -8 ORB	2
4	MP17.00567	CABLE, TIE - GREEN	3
5	MP32.01952	UNION, SAE -8 MJIC	2

REMOTE ACTUATOR CONTROL BOX ASSEMBLY

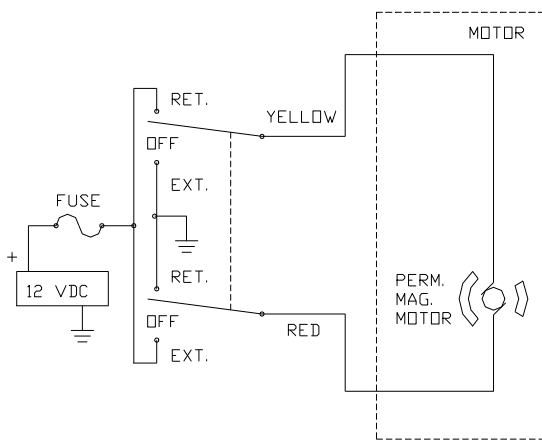


WIRING DIAGRAM

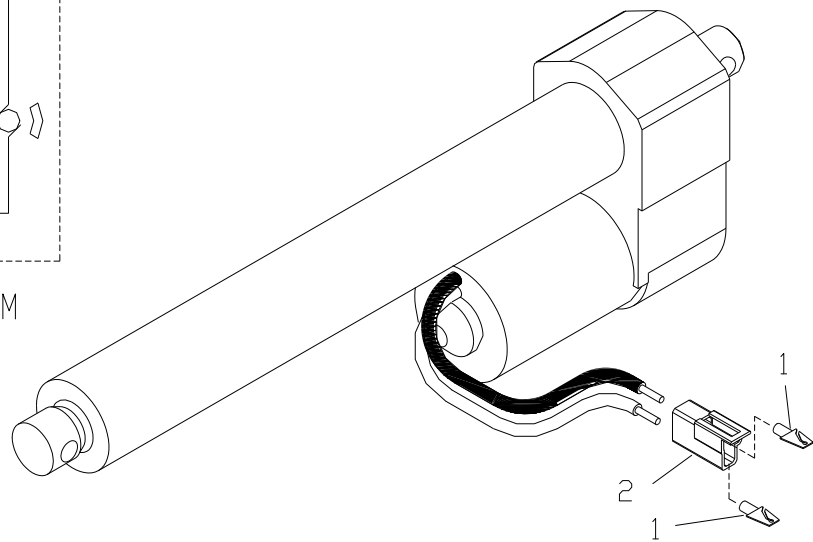


ITEM NO.	PART NUMBER	DESCRIPTION	QTY.
1	591820	DECAL, ACTUATOR CONTROL BOX	1
2	212470	SEAL, TOGGLE SWITCH	1
3	209590	SWITCH, TOGGLE MOMENTARY DPDT	1
4	591830	ENCLOSURE, REMOTE	1
5	346690	BRACKET, MOUNTING	1
6	W154550016	FUZE HOLDER	1
7	E292002	FUZE	1
8	346750	CONNECTOR, CORD .25 - .31	2
9	486650	WIRE, 16/2 GPT/300V NEO B/W	24'
10	486650	WIRE, 16/2 GPT/300V NEO B/W	6'
11	209210	LOCKNUT, 1/2 CONDUIT	2
12	962680	WIRE, 16 GA. WHITE	1'
13	962690	WIRE, 16 GA. BLACK	1'
14	021240	SCREW, TRUSS HEAD 1/4"-20 X 1/2"	2
15	023270	NUT, LOCK 1/4"-20 HEX FLANGE	2
16	155220	CONNECTOR, POWER CORD	1
17	E192016	TERMINAL, FEMALE 14-16 GA.	2
18	E376001	INSULATOR, CONNECTOR MALE PACKARD	1

ACTUATOR ASSEMBLY

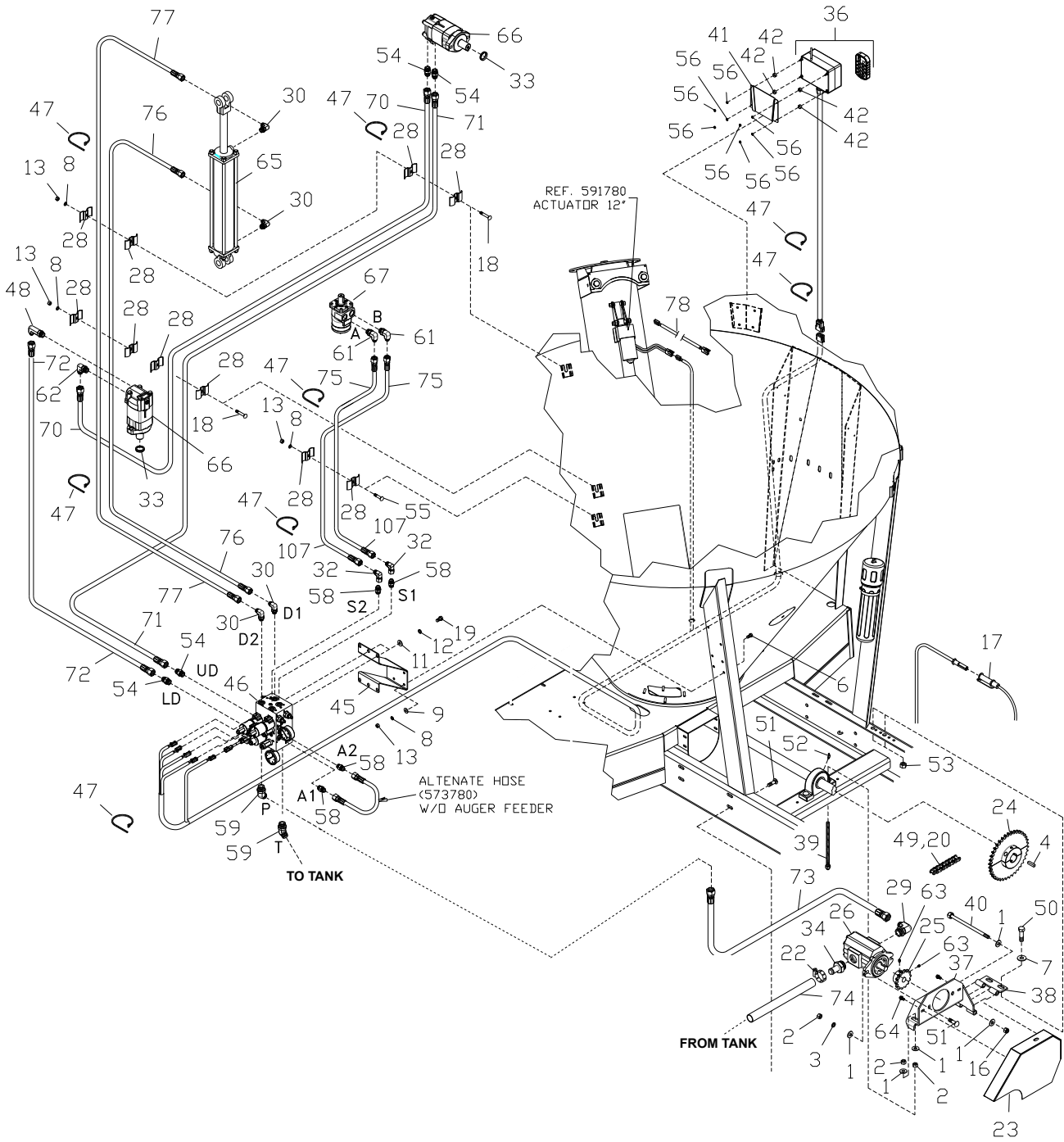


ACTUATOR WIRING DIAGRAM



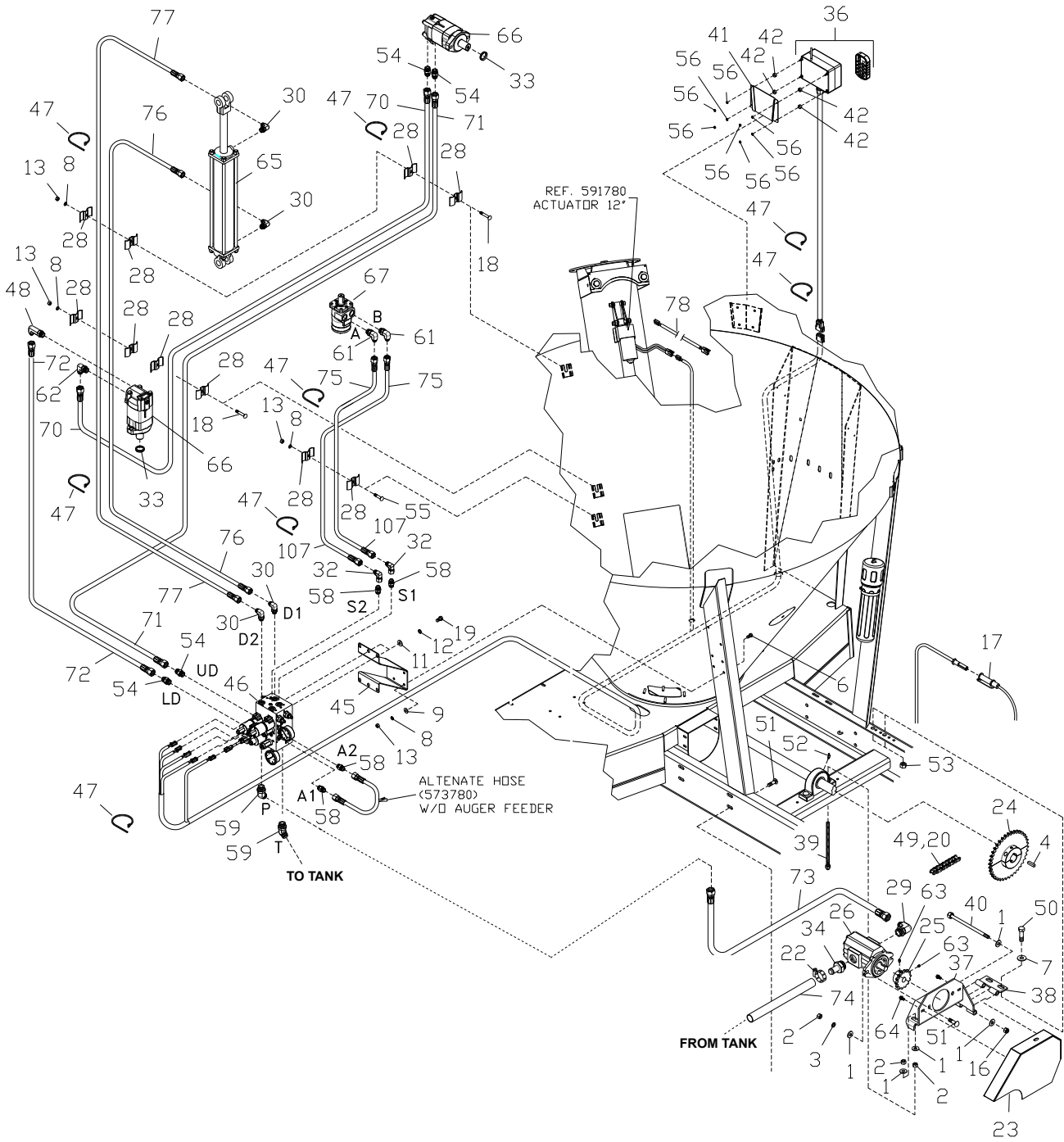
ITEM NO.	PART NUMBER	DESCRIPTION	QTY.
1	345820	TERMINAL, MALE, 14-16 GA.	2
2	345810	INSULATOR, CONNECTOR FEMALE	1

HYDRAULIC TANK & COOLER ASSEMBLY



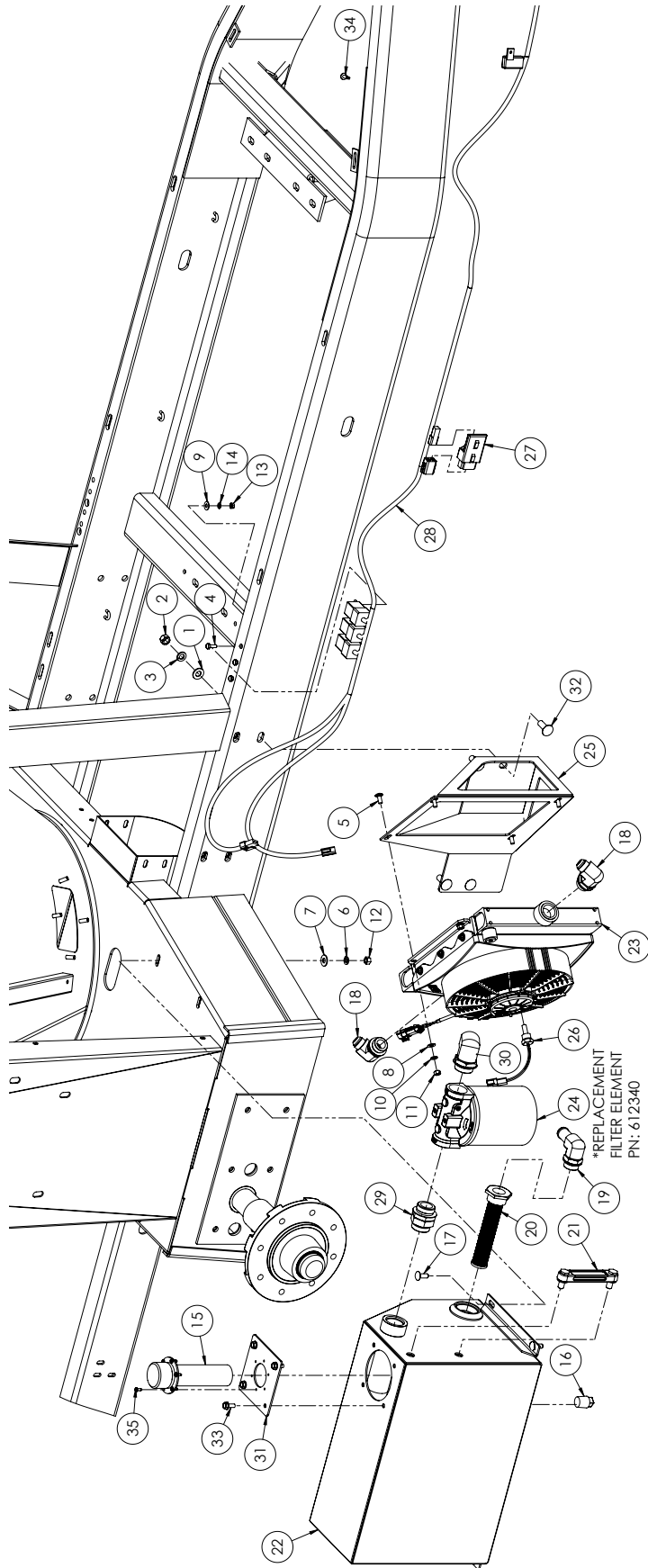
ITEM NO.	PART NUMBER	DESCRIPTION	QTY.
1	005200	WASHER, FLAT 1/2 STD ZN	10
2	005360	NUT, HEX 1/2-13 GR5 ZN	8
3	005370	WASHER, LOCK 1/2 ZN	6
4	006670	KEY, SQUARE 3/8 X 1-1/2	1
5	006690	BOLT, HHCS 3/8-16 X 1-1/4 GR5 ZN	4
6	012260	BOLT, HHCS 3/8-16 X 1 GR5 ZN	4
7	020430	WASHER, FLAT 5/8 STD ZN	2
8	021180	WASHER, LOCK 3/8 ZN	11
9	021190	WASHER, FLAT 3/8 STD ZN	12
10	023260	WASHER, FLAT 1/4 STD ZN	2
11	023980	WASHER, FLAT 7/16 STD ZN	4
12	023990	WASHER, LOCK 7/16 ZN	4
13	027260	NUT, HEX 3/8-16 GR5 ZN	11
14	029440	WASHER, LOCK 1/4 ZN	2
15	029450	BOLT, HHCS 1/4-20 X 1/2 GR5 ZN	2
16	037540	NUT, LOCK 1/2-13 NYLON HEX GR5 ZN	1
17	036780	CONNECTOR, POWER CORD (FEMALE)	1
18	041450	BOLT, CRG 3/8-16 X 2 GR5 ZN	2
19	128000	BOLT, HHCS 7/16-14 X 1 GR5 ZN	4
20	165990	LUBRICANT, INDUSTRIAL	.5
21	166000	OIL, HYDRAULIC	37 GAL.
22	166110	CLAMP, HOSE 20H	2
23	587300	SHIELD WLDT, CENTER DRIVE 540 RPM	1
24	590670	SPROCKET, SPLIT 60B38 1-5/8 BORE	1
25	271180	SPROCKET, 60B14 7/8 BORE	1
26	274380	PUMP, HYD 3.90CI CC ROTATION	1
	589650	SEAL KIT, HYD PUMP PRINCE (FOR 274380) (NOT SHOWN)	-
27	389300	DECAL, IMPORTANT AVOID DESTRUCTION/PUMP	1
28	413050	CLAMP, HOSE	10
29	506540	ELBOW,90 DEG. 1-5/16ORB X 1-1/16JIC MALE	2
30	530210	ADAPTER, 90° SAE -16 MJIC X -16 MORB	2
31	551510P	ADAPTER, 90° SAE-12 MJIC X -12 MORB	1
32	551560	ADAPTER, 90° SAE-8 MJIC X -8 FJIC	2
33	584690	SEAL, SLINGER 1-1/4	2
34	585310	FITTING, HYD SAE-20 MORB X -20 BEADED	1
35	585400	ADAPTER, 90° ELBOW SAE-20 BEADED X -16 MORB	1
36	585710	CONTROL BOX, COMPLETE (SEE PAGE 72)	1
37	586550	MOUNT WLDT, HYD PUMP 540 RPM	1
38	586580	HINGE WLDT, HYD PUMP 540 RPM	1
39	586600	BOLT WLDT, 1/2-13 X 9-1/4 FULL THREAD	1
40	586780	BOLT WLDT, 1/2-13 X 9-1/8	1

HYDRAULIC TANK & COOLER ASSEMBLY, (CONTINUED)



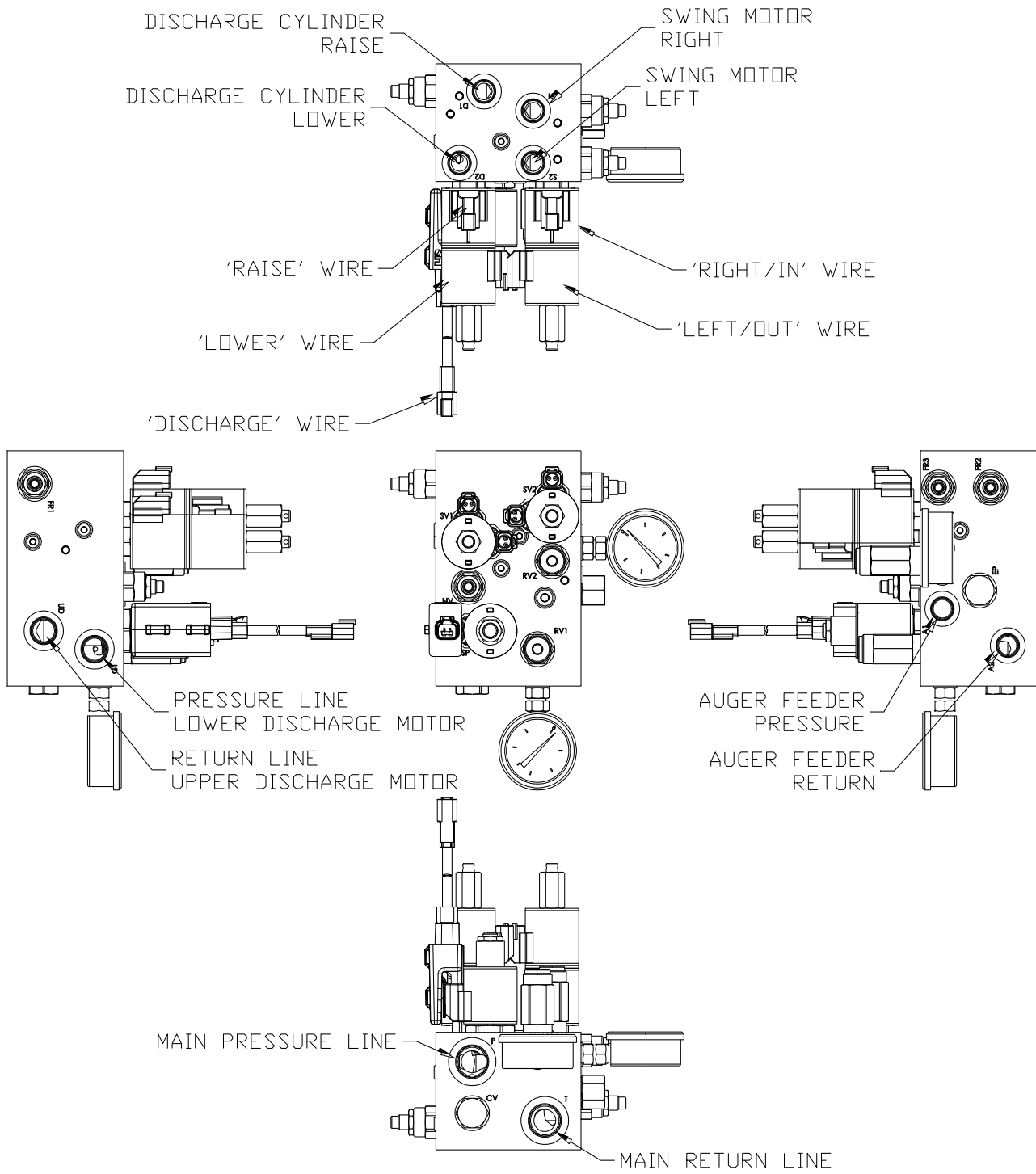
ITEM NO.	PART NUMBER	DESCRIPTION	QTY.
41	587170	BRACKET WLDT, CONTROL BOX	1
42	589490	BUMPER, RUBBER	4
43	591370	MOUNT WLDT, LOWER RESERVOIR	1
44	591400	TANK ASSY, HYD.RESERVOIR 36 GAL. (SEE PAGE 70)	1
45	591410	MOUNT, MANIFOLD VALVE	1
46	591800	VALVE ASSY, MANIFOLD (SEE PAGE 71)	1
47	149670	TIE, NYLON CABLE 3/16" X 11"	20
48	591990	ELBOW, 90° X-LONG SAE -10 MORB X -10 MJIC	1
49	588510	CHAIN, ROLLER RC60H X 54 PITCH	1
50	990610	BOLT, HHCS 5/8-11 X 1-1/2	2
51	E096046	BOLT, CRG 1/2-13 X 1-1/2 GR5 ZN	6
52	I117176	FITTING, GREASE 45° 1/4-28	1
53	I19508R1	NUT, LOCK 5/8-11	2
54	I2185062	ADAPTER, STR M7/8 JIC-M7/8 ORB	3
55	J03H1558	BOLT, CRG 3/8-16 X 1-1/2 SSN GR5 ZN	1
56	J14H605	NUT, HEX #8-32 GR2 ZN	8
57	MP09.74127	CONNECTOR, HYD SAE -12 MORB X-12 MJIC	2
58	MP09.74155	CONNECTOR, SAE -8 MORB X -8 MJIC	4
59	MP17.00388	ELBOW, 45° SAE -12 MORB X -12 MJIC	2
60	MP17.00391	FILTER, HYDRAULIC W/HOUSING	1
	MP17.00392	FILTER, ELEMENT REPLACEMENT (IN MP17.00391)	-
61	MP32.03794	ELBOW, 90° SAE -10 MORB X -8 MJIC	2
62	MP907670	ELBOW, 90° SAE -10 MORB X -10 MJIC	1
63	R61564	SCREW, HSSS 5/16-18 X 1/2 BLO KNURLED	2
64	JN10212	SCREW, FLANGE 5/16-18 X 3/4 ZN	2
65	582800	CYLINDER, HYD 3X16 DOUBLE ACTING	1
	355350P	SEAL KIT, CROSS CYL. (FOR 582800)(NOT SHOWN)	-
66	576240	MOTOR, HYD 9.6 CID 1.25 SHAFT 5/16 KW(SEE PAGE 49)	2
67	586440	MOTOR, HYD 20 CID (SEE PAGE 49)	1
68	585360	HOSE ASSY, HYD 3/4 X 30" SAE -12 FJIC X -12 FJIC	1
69	585380	HOSE ASSY, HYD 3/4 X 20" SAE -12 FJIC X -12 FJIC	1
70	585580	HOSE ASSY, HYD 5/8 X 149" SAE -10 FJIC X -10 FJIC	1
71	585590	HOSE ASSY, HYD 5/8 X 245" SAE -10 FJIC X -10 FJIC	1
72	585600	HOSE ASSY, HYD 5/8 X 96" SAE -10 FJIC X -10 FJIC	1
73	585690	HOSE ASSY, HYD 3/4 X 72" SAE -12 FJIC X -12 FJIC	1
74	585700	HOSE HYD, 1-1/4 X 30" 100R4-20	1
75	591960	HOSE ASSY, HYD 1/2 X 126" SAE -8 FJIC X -8 FJIC	2
76	591970	HOSE ASSY, HYD 1/2 X 179" SAE -8 FJIC X -8 FJIC	1
77	591980	HOSE ASSY, HYD 1/2 X 200" SAE -8 FJIC X -8 FJIC	1
78	345800	WIRE ASSY, 18/2 SJO 3' W/CONNECTORS (SEE PAGE 65)	1

RESERVOIR TANK ASSEMBLY



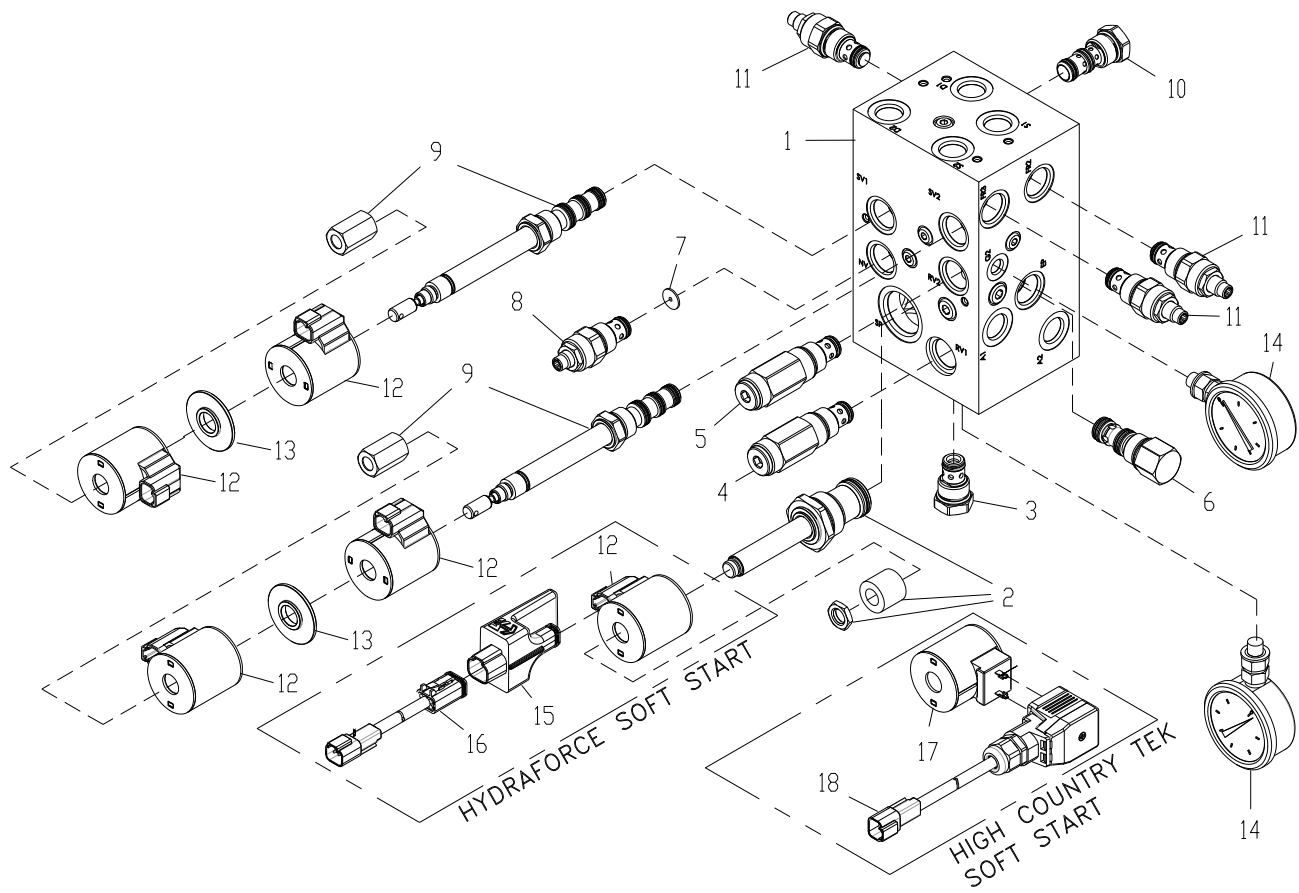
ITEM NO.	PART NUMBER	DESCRIPTION	QTY.
1	005200	WASHER, FLAT 1/2 STD	4
2	005360	NUT, HEX 1/2-13	4
3	005370	WASHER, LOCK 1/2	4
4	012051	BOLT, HHCS 1/4-20 X 3/4	3
5	012410	BOLT, CRG 5/16-18X3/4	4
6	021180	WASHER, LOCK 3/8	4
7	021190	WASHER, FLAT 3/8 STD	4
8	022920	WASHER, FLAT 5/16 STD	4
9	023260	WASHER, FLAT 1/4 STD	3
10	023620	WASHER, LOCK 5/16	4
11	023630	NUT, HEX 5/16-18 GR5 ZN	4
12	027260	NUT, HEX 3/8-16 GR5	4
13	027660	NUT, HEX 1/4-20 GR5 ZN	3
14	029440	WASHER, LOCK 1/4 SAE	3
15	165880	FILLER-BREATHER,	1
16	165960	PLUG, MAGNETIC	1
17	170530	BOLT, CRG 3/8-16 X 1"	4
18	506540	FITTING, HYD 90°	2
19	585400	ADAPTER, 90° ELBOW	1
20	585450	STRAINER, TANK MOUNT	1
21	596790	GAUGE, SIGHT/TEMP	1
22	626180	TANK WLDT, HYD	1
23	626200	COOLER, HYD. 12V	1
24	626290	FILTER ASSY, SPIN ON	1
25	626300	MOUNT WLDT, COOLER	1
26	626360	SWITCH, TEMP CONTROL	1
27	626370	CONTROLLER, TWO WAY	1
28	626380	HARNESS, COOLER FAN	1
29	626390	FITTING, HYD STR	1
30	626820	FITTING, HYD 90°	1
31	636050	PANEL, TANK ACCESS	1
32	E096046	BOLT, CRG 1/2-13 X 1-1/2	4
33	JN10212	SCREW, FLG 5/16-18 X 3/4	4
34	MP907120	SCREW, TEK 1/4"	1
35	P98341	SCREW, PHTS 10-24X1/2	6

HYDRAULIC MANIFOLD VALVE DESCRIPTIONS



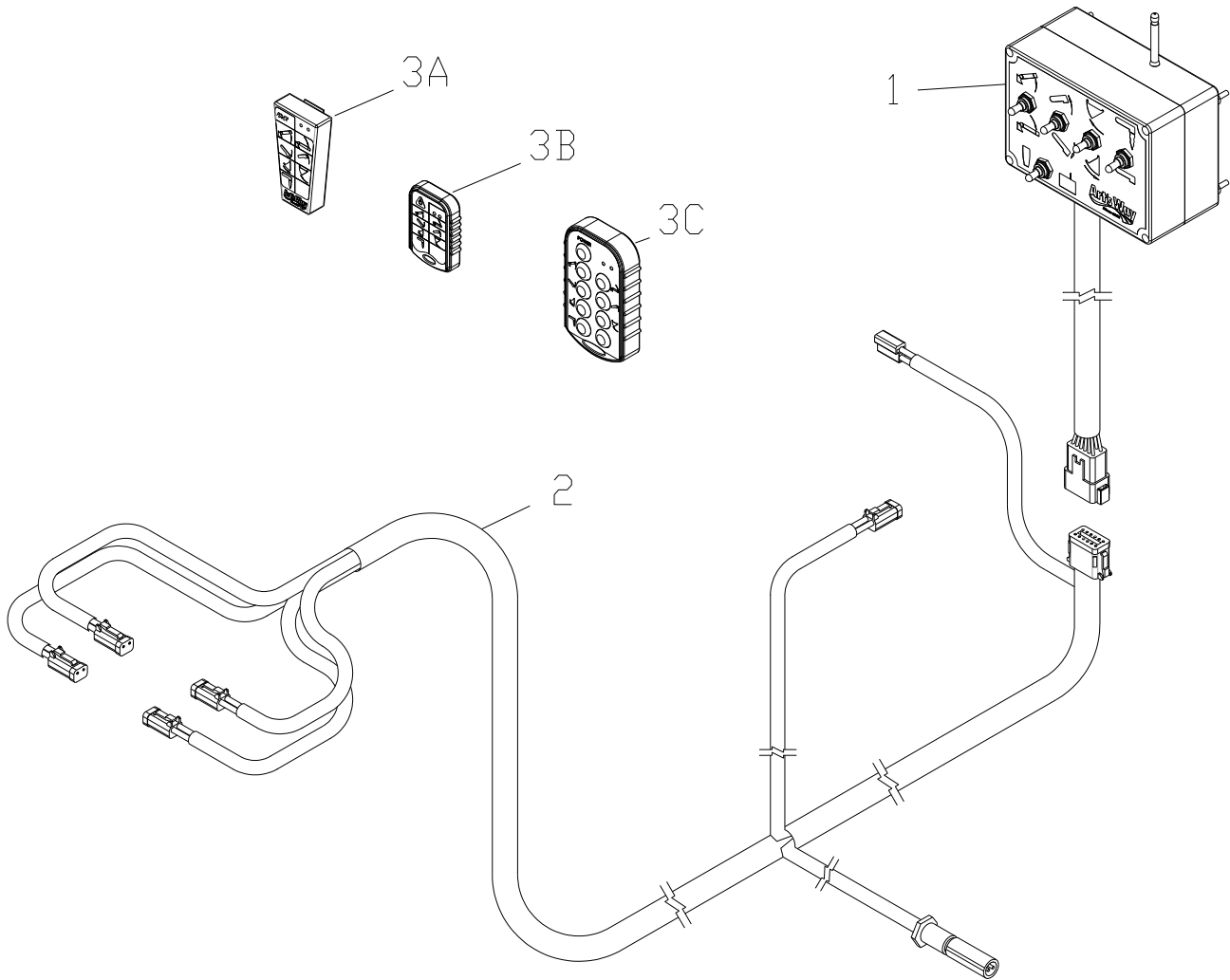
PAGE LEFT INTENTIONALLY
BLANK

HYDRAULIC MANIFOLD VALVE ASSEMBLY



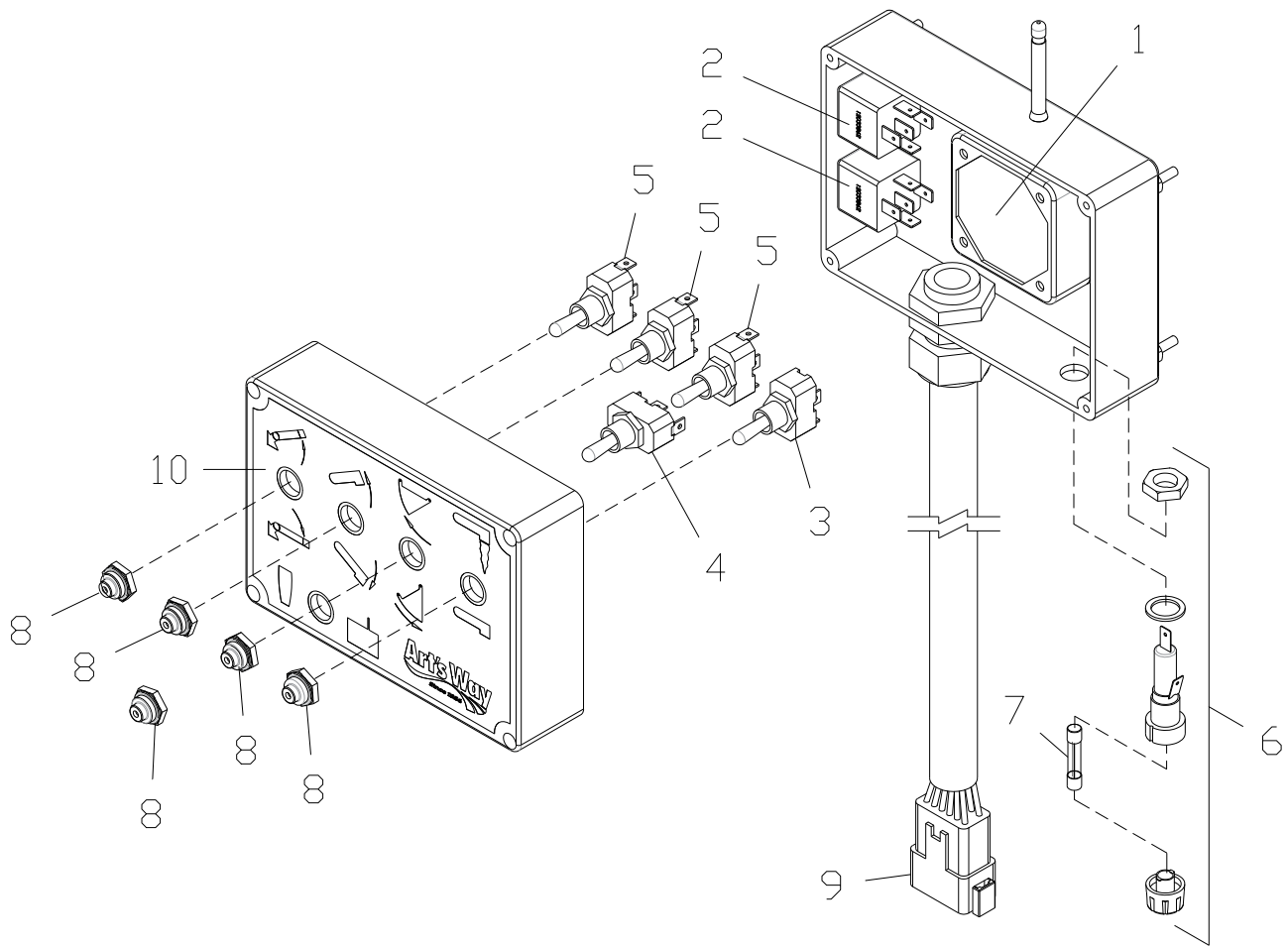
ITEM NO.	PART NUMBER	DESCRIPTION	TORQUE	QTY.
1	-	BLOCK, MANIFOLD	-	1
2	594860	VALVE, #16 PROPORTIONAL POPPET 2-WAY NC	46-54 FT.LBS.	1
	596940	SEAL KIT, SK16-2N-T (NOT SHOWN)		-
3	594870	VALVE, #10 CHECK 5 PSI	24-26 FT.LBS.	1
	596950	SEAL KIT, SK10-2N-T (NOT SHOWN)		-
4	594880	VALVE, #10 RELIEF DIFFERENTIAL AREA 2500 PSI	24-26 FT.LBS.	1
	596950	SEAL KIT, SK10-2N-T (NOT SHOWN)		--
5	594890	VALVE, #10 RELIEF DIFFERENTIAL AREA 2000 PSI	24-26 FT.LBS.	1
	596950	SEAL KIT, SK10-2N-T (NOT SHOWN)		-
6	594900	VALVE, #10 PILOTED SPOOL TYPE LOGIC ELEMENT 80 PSI	24-26 FT.LBS.	1
	596960	SEAL KIT, SK10-3N-MM (NOT SHOWN)		-
7	-	DISK, ORIFICE .117 DIA.	-	1
8	594910	VALVE, #10 NEEDLE ALLEN HEAD ADJUSTMENT	24-26 FT.LBS.	1
	596970	SEAL KIT, SK10-2N-M (NOT SHOWN)		-
9	594920	VALVE, #10 SPOOL, 4W3P, TANDEM CENTER	24-26 FT.LBS.	2
	596980	SEAL KIT, SK10-4N-MMM (NOT SHOWN)		-
10	594930	VALVE, #10 PILOT TO OPEN 30 PSI	24-26 FT.LBS.	1
	596990	SEAL KIT, SK10-3N-TM (NOT SHOWN)		-
11	594940	VALVE, #10 PRESS. COMP. FLOW CONTROL 0-3 GPM	33-37 FT.LBS.	3
	596950	SEAL KIT, SK10-2N-T (NOT SHOWN)		-
12	594950	E-COIL, #10 12-VDC, DEUTSCH DT04-2P	-	4-5
13	-	SPACER, #10 COIL	-	2
14	MP07.17866	GAUGE, PRESSURE, 0-3000 PSI 2-1/2 LIQUID	8-10 FT.LBS.	2
15	594960	DRIVER ASSY, VALVE RAMP CONTROLLER	-	1
16	594970	HARNESS ASSY, WIRE RAMP CONTROLLER	-	1
17	596920	E-COIL, #10 12-VDC, DIN43650	-	1*
18	591810	HARNESS, SOFT START WIRE (EA1507-E8)	-	1*
19	596930	SEAL KIT, COMPLETE MANIFOLD VALVE	-	**
<p>*NOTE: PARTS MARKED * ARE FOR THE EARLY VERSION (HIGH COUNTRY TEK) OF THE ELECTRONIC SOFT START, THEY CAN BE REPLACED WITH THE CURRENT VERSION (HYDRAFORCE).</p> <p>**NOTE: 596930 SEAL KIT INCLUDES ALL LISTED INDIVIDUAL VALVE SEAL KITS.</p>				

CONTROL BOX SYSTEM ASSEMBLY



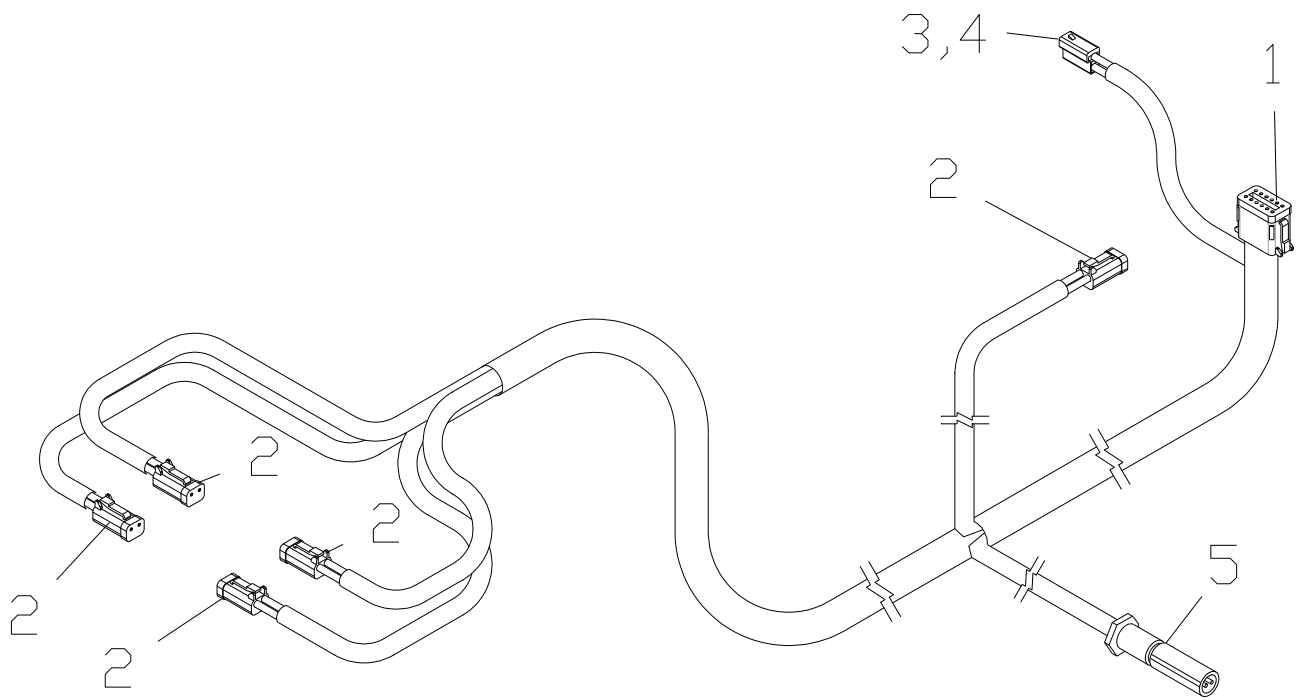
ITEM NO.	PART NUMBER	DESCRIPTION	QTY.
1	587140	CONTROL BOX, W/OVERRIDE & 4' WIRE HARNESS	1
2	587150	HARNESS, WIRE VALVE & ACTUATOR	1
3A	584670	TRANSMITTER, MINI RF 8-BUTTON W/LABEL(BATTERY OPERATED)	1*
	585370	LABEL, MINI-TRANSMITTER 8-BUTTON	-
3B	588480	TRANSMITTER, MICRO RF 8-BUTTON W/LABEL (RECHARGEABLE)	1*
	588490	LABEL, MICRO-TRANSMITTER 8-BUTTON	-
3C	589660	TRANSMITTER, MACRO RF 8-BUTTON W/LABEL (RECHARGEABLE)	1*
	589670	LABEL, MACRO-TRANSMITTER 8-BUTTON	-
*NOTE: THE 7165 IS SHIPPED WITH 589660 MACRO-TRANSMITTER, ANY OF THE OTHER TYPES OF TRANSMITTERS WILL WORK WITH THE SELF-CONTAINED HYDRAULIC SYSTEM.			

CONTROL BOX ASSEMBLY



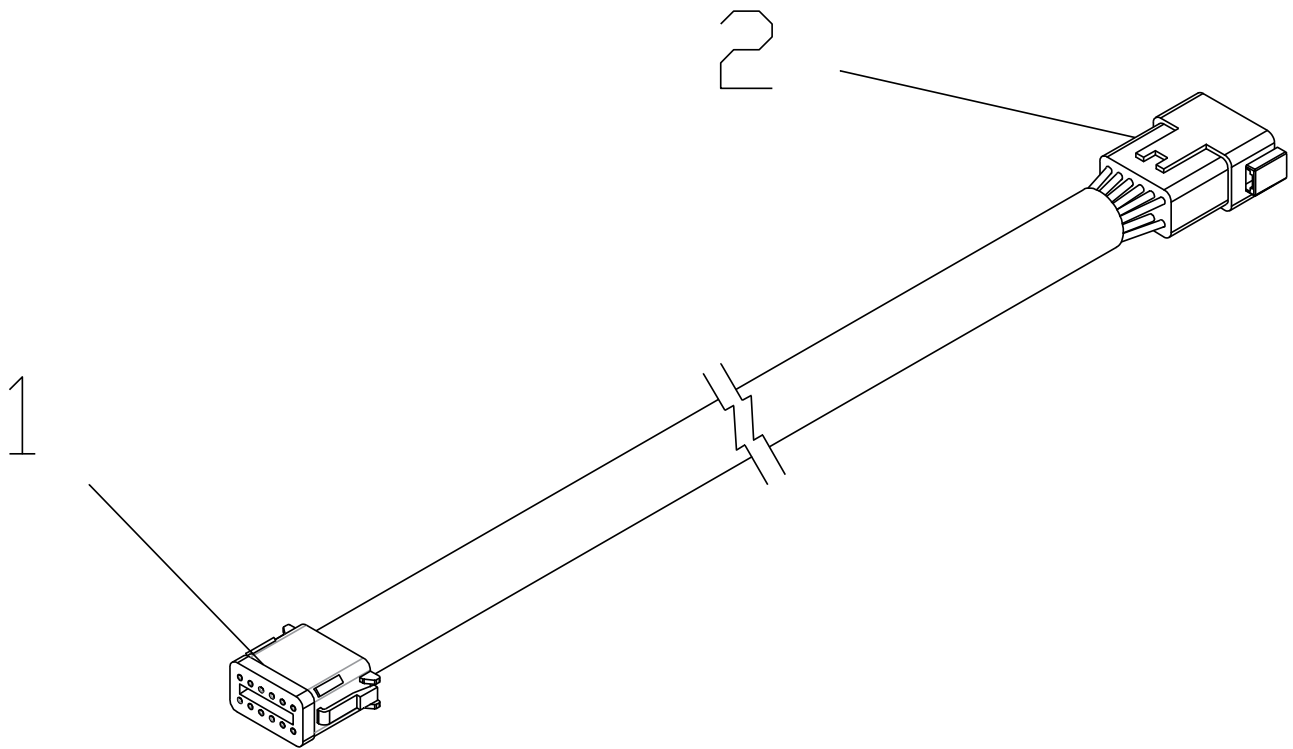
ITEM NO.	PART NUMBER	DESCRIPTION	QTY.
1	587160	RECEIVER, RF 8-OUTPUT KAR-TECH	1
2	589950	RELAY, 12V SPDT 40/20 AMP 5-TERMINAL #75413	2
3	589960	SWITCH, TOGGLE ON-OFF SPDT #44252	1
4	589970	SWITCH, TOGGLE ON-ON SPDT #44252	1
5	589980	SWITCH, TOGGLE MOMENTARY (ON)-OFF-(ON) SPDT #44252	3
6	589990	HOLDER, FUSE 1/4" PUSH-ON TERMINALS	1
7	590410	FUSE, GLASS AGC 30AMP #46130	1
8	212470	SEAL, TOGGLE SWITCH	5
9	590430	CONNECTOR KIT, DEUTSCH DT04-12P (PAGE 71)	1
10	588470	LABEL, CONTROL BOX COMPLETE	-
*NOTE SEE OTHER PAGE FOR ELECTRICAL SCHEMATIC.			

HARNESS ASSEMBLY



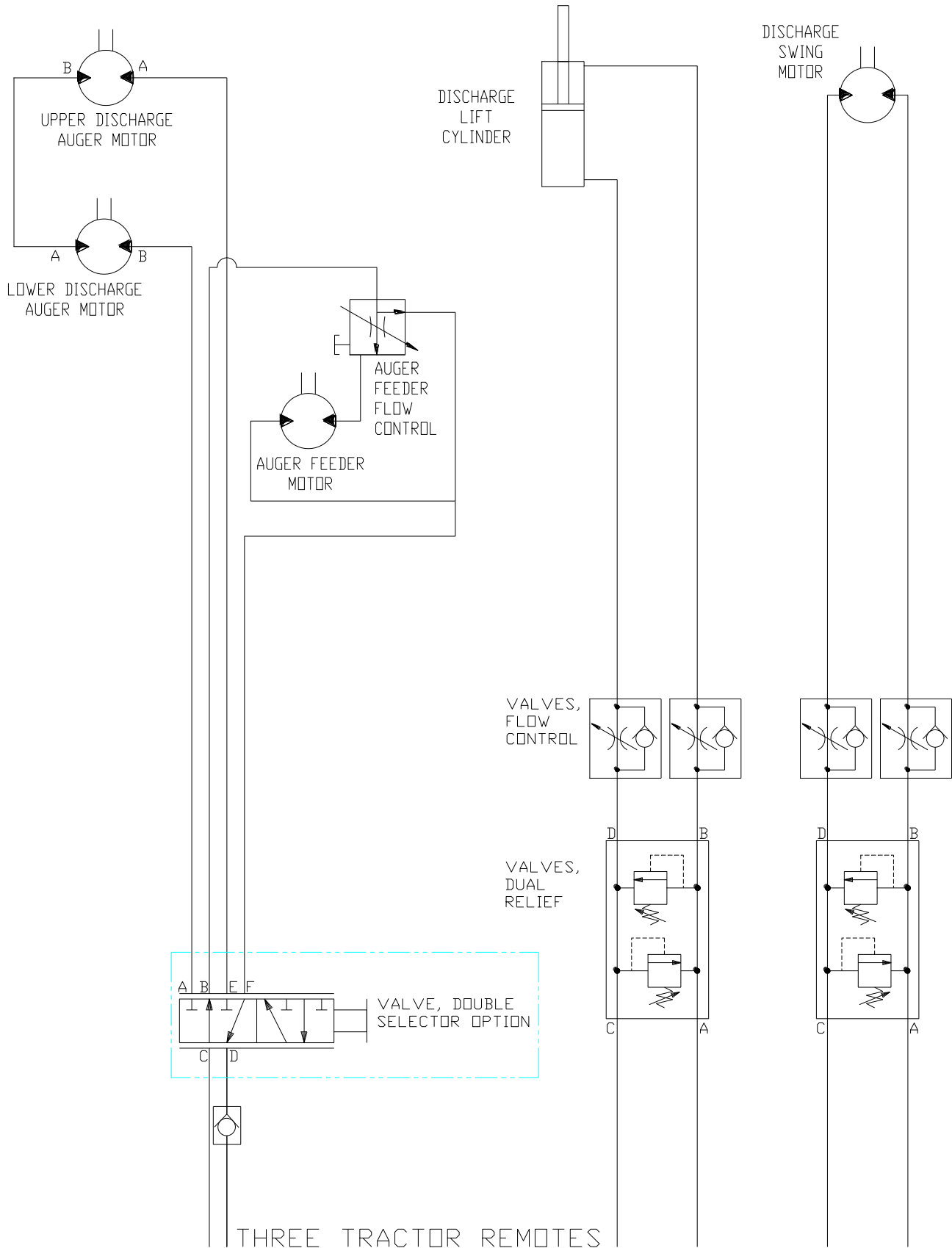
ITEM NO.	PART NUMBER	DESCRIPTION	QTY.
1	590420	CONNECTOR KIT, DEUTSCH DT06-12S W/TERMINALS (PAGE 71)	1
2	590440	CONNECTOR KIT, DEUTSCH DT06-2S W/TERMINALS (PAGE 71)	5
3	E376001	INSULATOR, CONNECTOR MALE PACKARD	1
4	E192016	TERMINAL, FEMALE 14-16 GA.	2
5	155220	CONNECTOR, POWER CORD	1
*NOTE SEE OTHER PAGE FOR ELECTRICAL SCHEMATIC.			

HARNESS EXTENSION ASSEMBLY

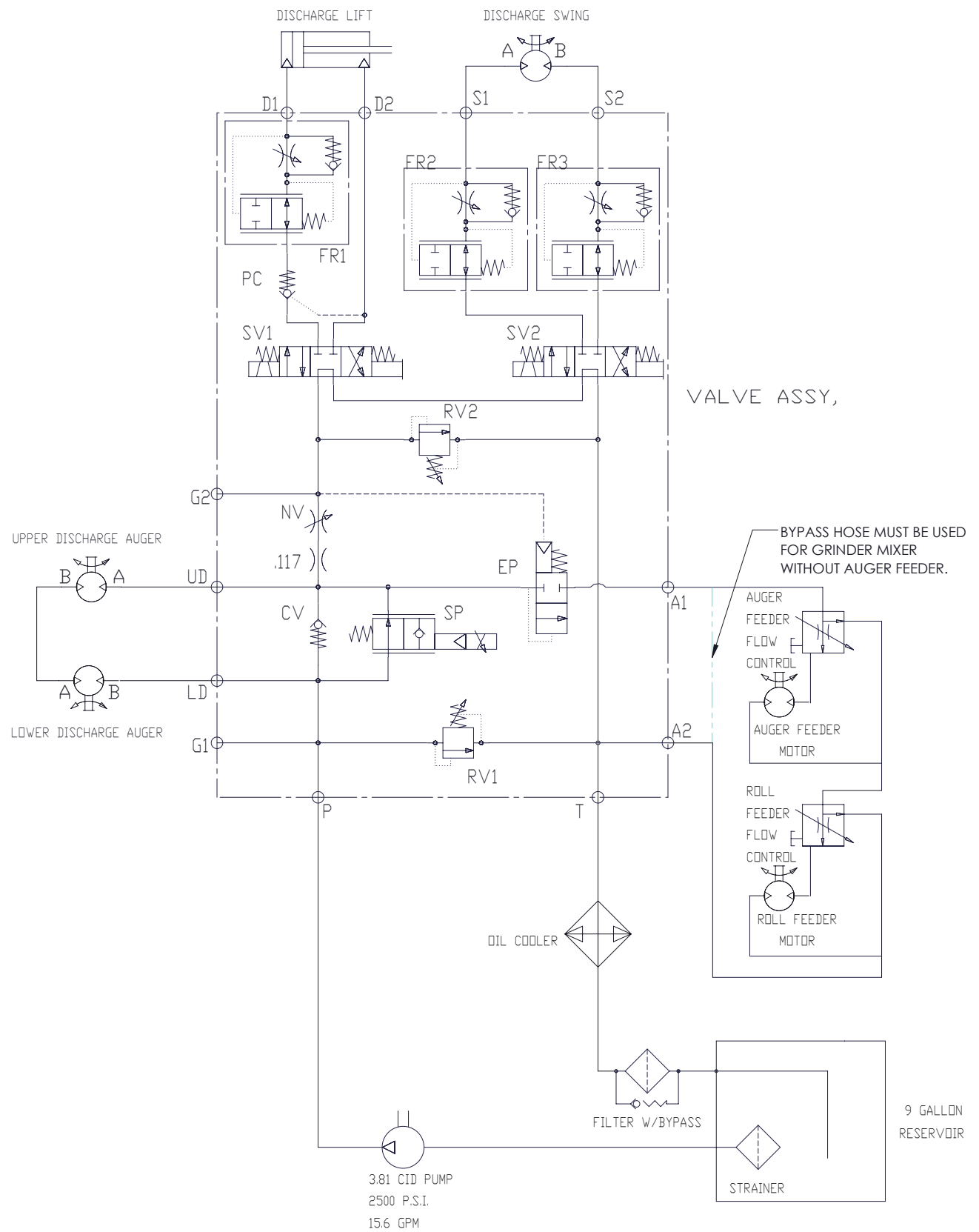


ITEM NO.	PART NUMBER	DESCRIPTION	QTY.
1	590420	CONNECTOR KIT, DEUTSCH DT06-12S W/TERMINALS (PAGE 71)	1
2	590430	CONNECTOR KIT, DEUTSCH DT04-12P W/TERMINALS (PAGE 71)	1
NOTE: 20 FT. WIRE HARNESS EXTENSION CAN BE USED WITH 585710, CONTROL BOX W/OVERRIDE TO ALLOW OPERATION FROM TRACTOR . SEE OTHER PAGE FOR ELECTRICAL SCHEMATIC.			

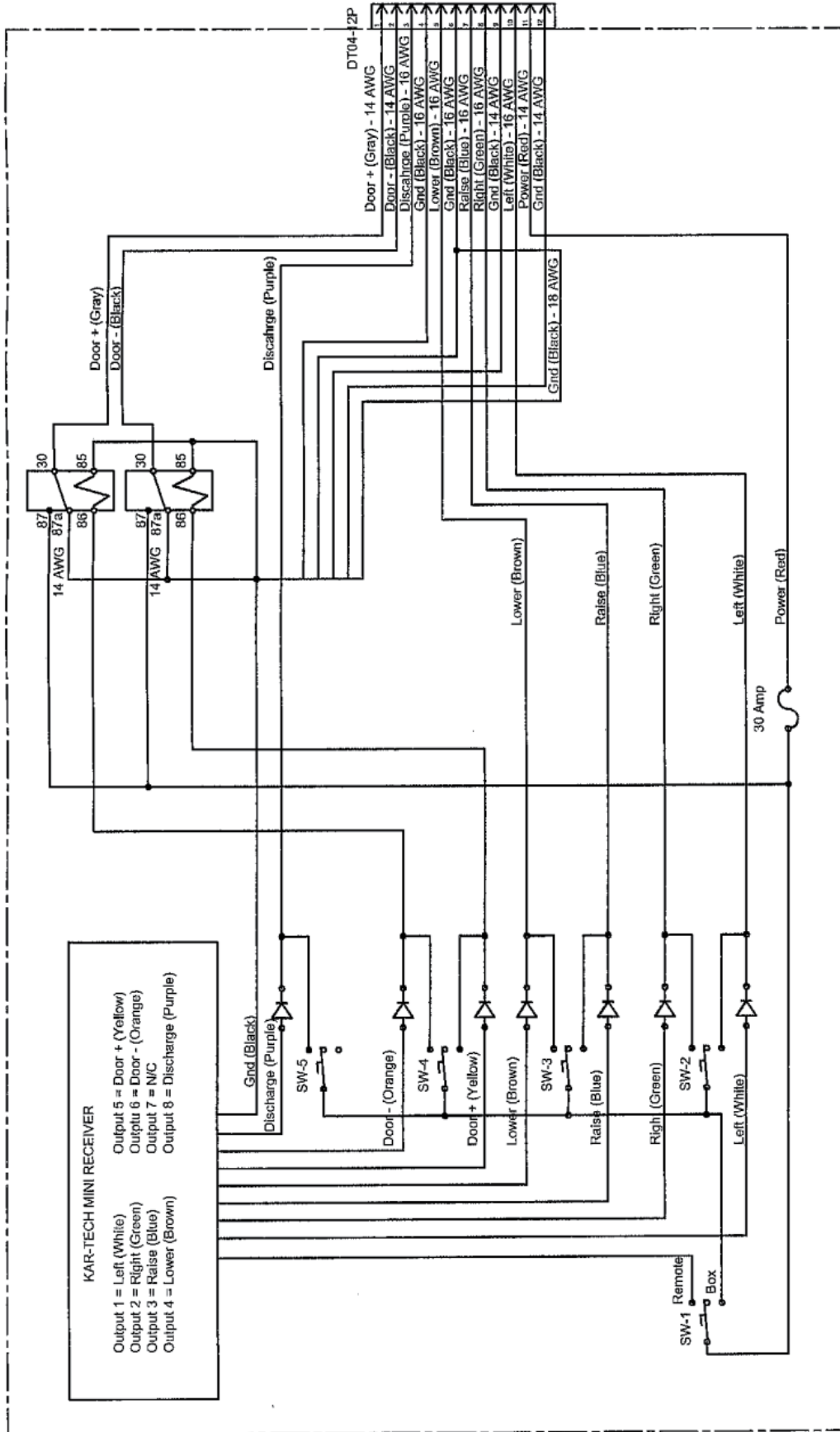
TRACTOR HYDRAULIC SCHEMATIC



SELF-CONTAINED HYDRAULIC SCHEMATIC

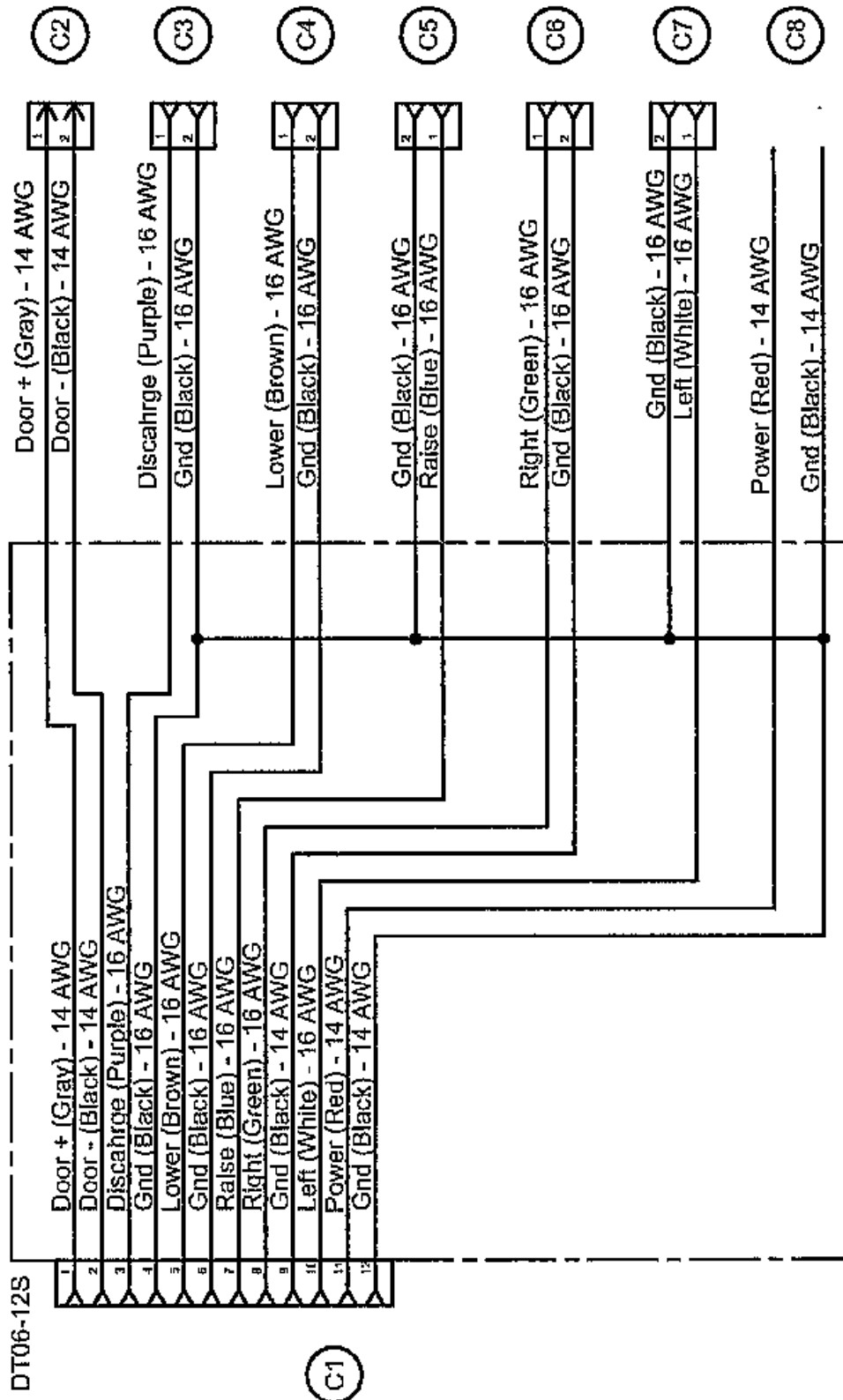


SELF CONTAINED ELECTRIC SCHEMATIC



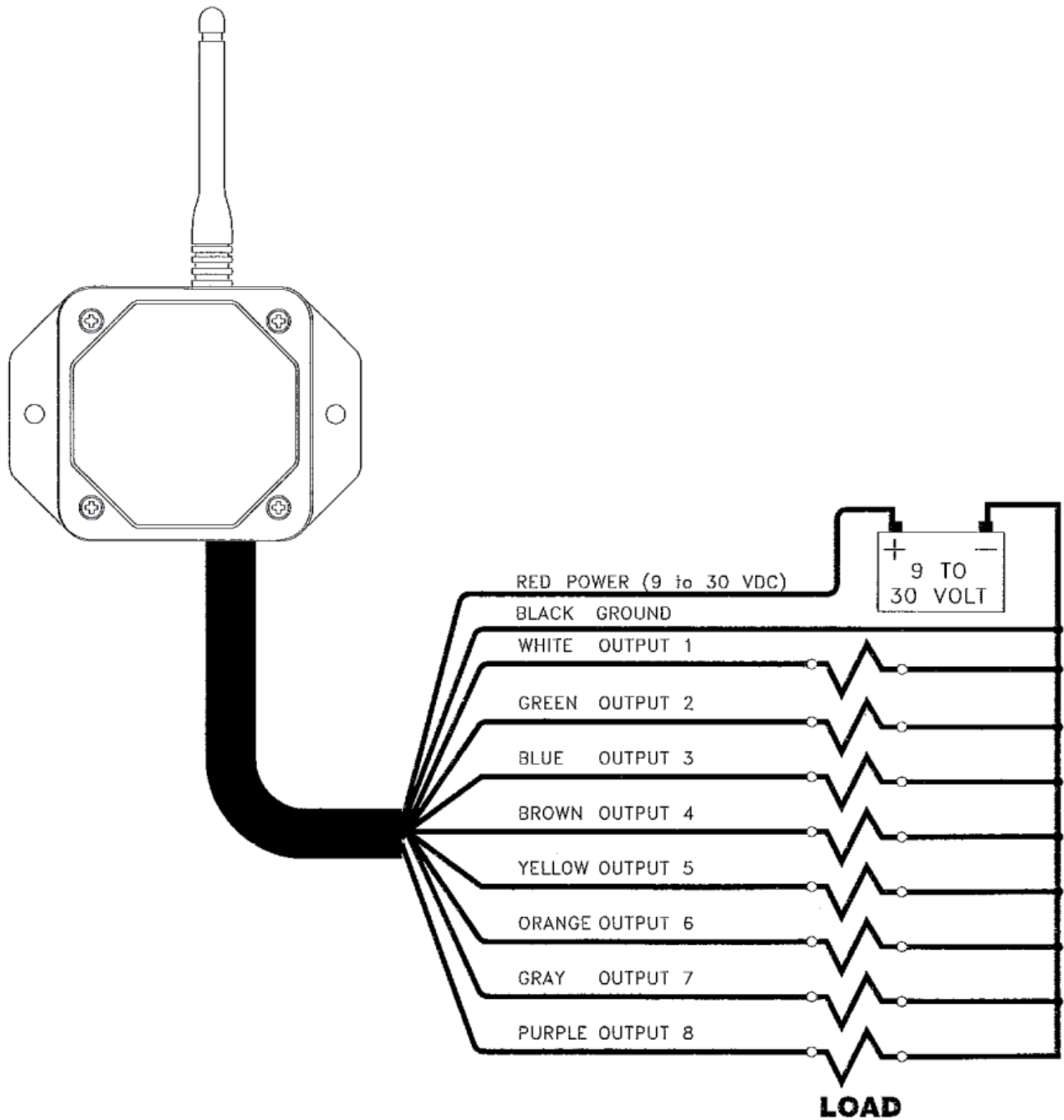
WIRING HARNESS ELECTRIC SCHEMATIC

Packard 56 Series Female

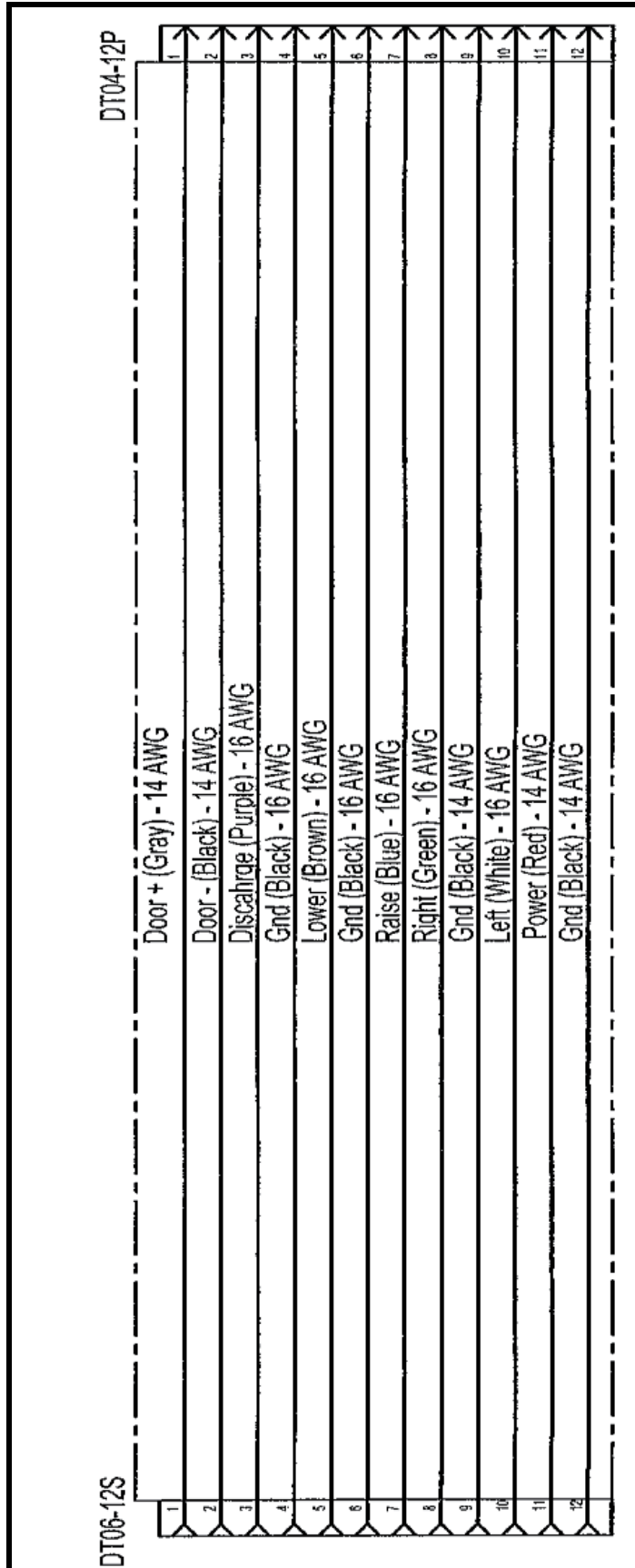


DT06-2S
Sockets #0462-201-16141
Wedge W2S
5 Places Typ

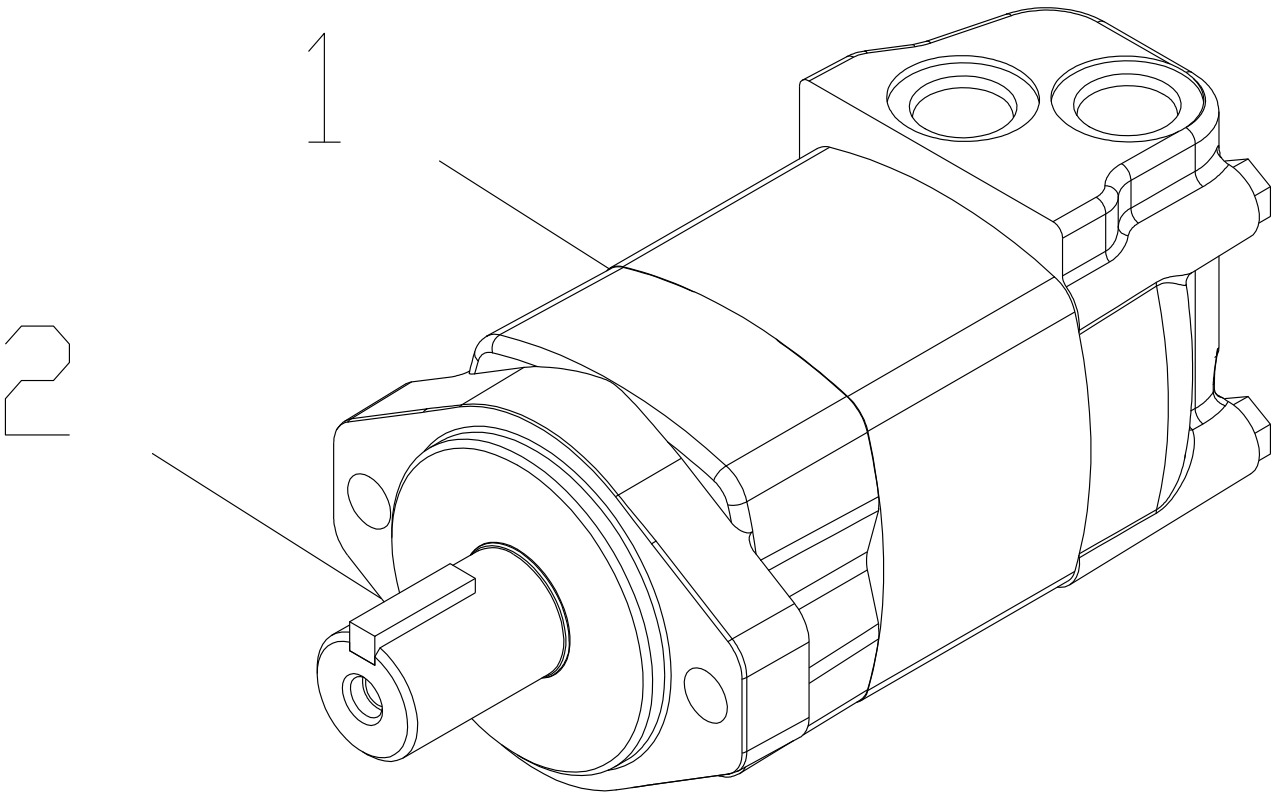
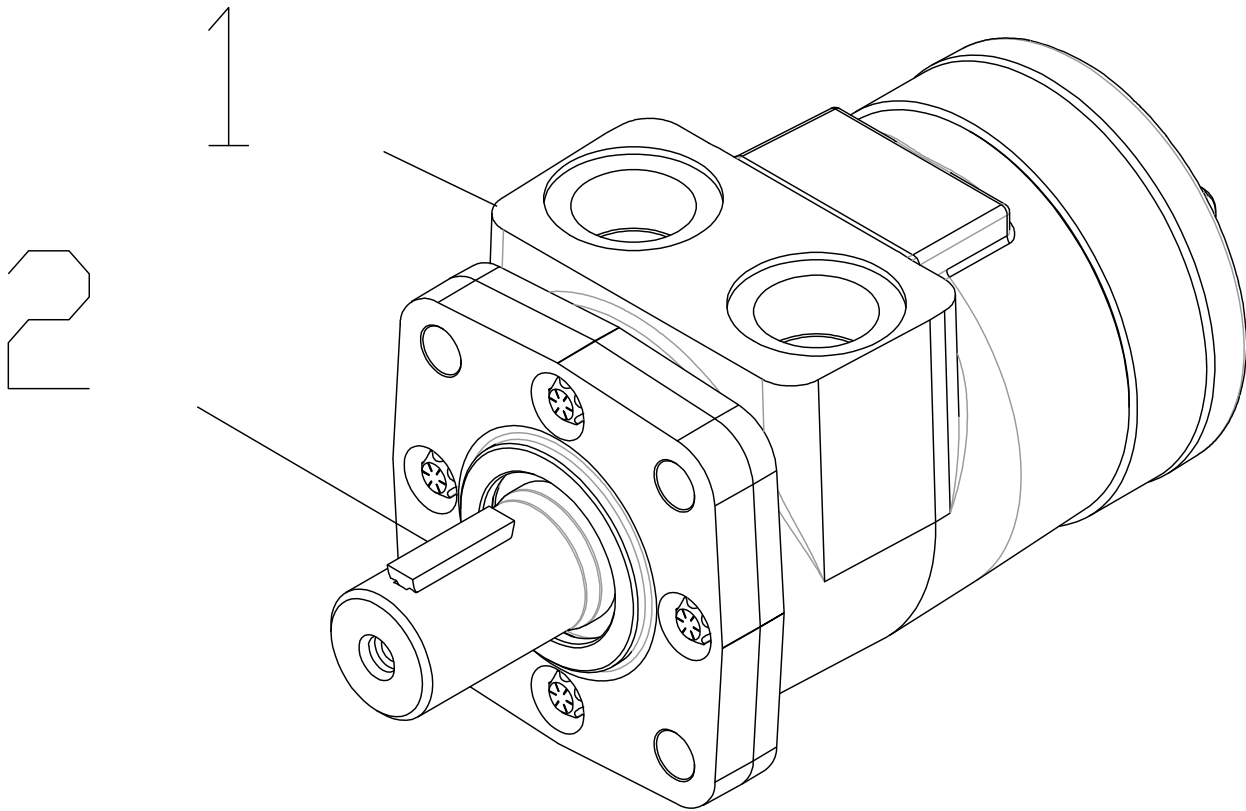
RECEIVER ELECTRIC SCHEMATIC



HARNESS EXTENSION ELECTRIC SCHEMATIC



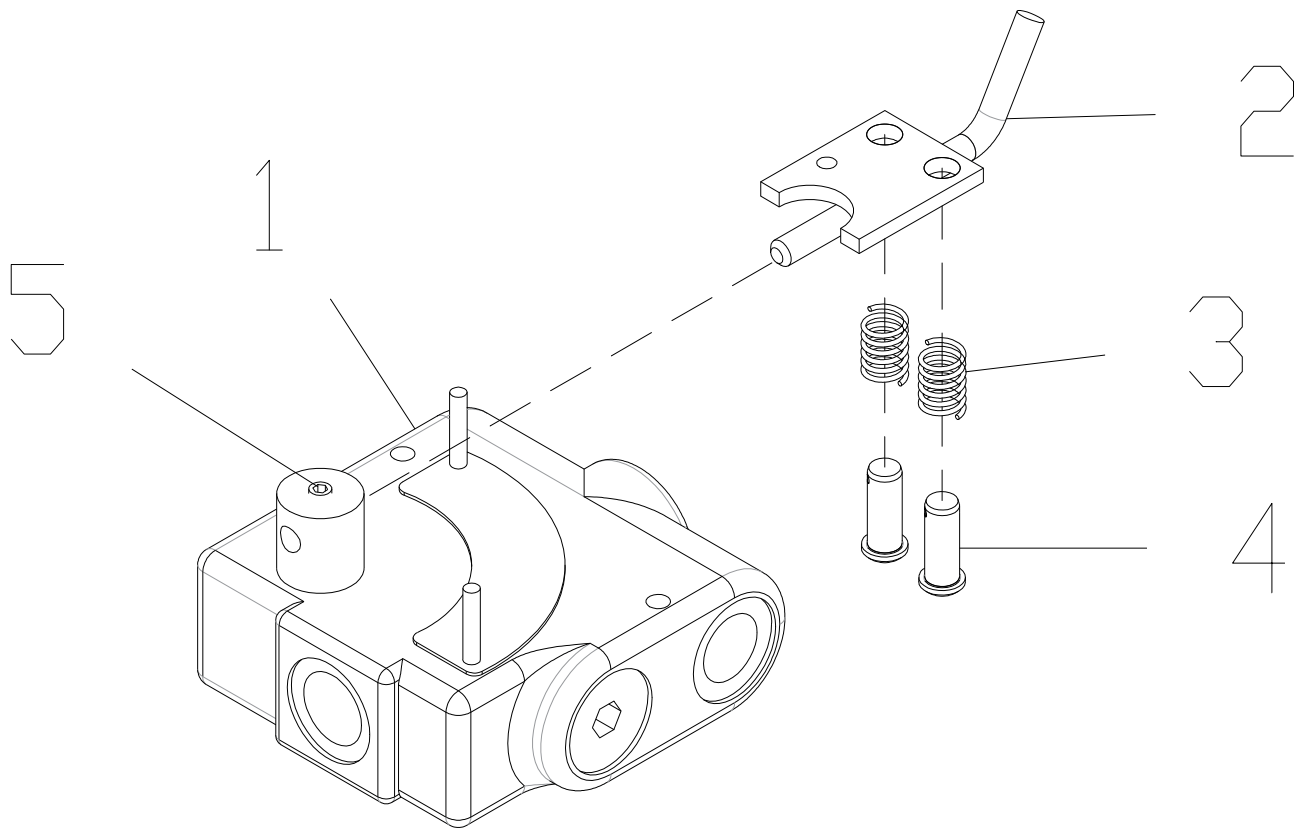
AUGER FEEDER, SWING, & DISCHARGE HYDRAULIC MOTOR KITS



ITEM NO.	PART NUMBER	DESCRIPTION	QTY.
1	586440	MOTOR, HYD. 20 CI DISPLACEMENT -10 SAE O-RING (SWING)	-
	585120	MOTOR, HYD. 12 CI DISPLACEMENT SAE-10 ORB (AUGER & ROLL FEED)	-
2	006180	KEY, WOODRUFF 1/4 X 1 #15 (808)	-
3	1780808	SEAL KIT, EATON 'H'-SERIES MOTOR #60023 (NOT SHOWN)	-
	243040	SEAL KIT, ROSS TRW 'MG'-SERIES MOTOR #SK000090 (NOT SHOWN)	-

ITEM NO.	PART NUMBER	DESCRIPTION	QTY.
1	576240	MOTOR, HYD. 20 CI DISPLACEMENT SAE-10 O-RING	-
2	020220	KEY, SQUARE 5/16 X 1-1/4	-
3	G214101	SEAL KIT, EATON '2000'-SERIES MOTOR #61258-000 (NOT SHOWN)	-

AUGER FEEDER & ROLL FEED FLOW CONTROL VALVE ASSEMBLY



ITEM NO.	PART NUMBER	DESCRIPTION	QTY.
1	585140	VALVE, FLOW CONTROL W/O HANDLE	1
2	161500	LEVER WLDT, HYD. CONTROL	1
3	042390	SPRING, COMPRESSION 0.415 X 0.50 X 1.045 ZN	2
4	012172	PIN, CLEVIS 3/8 X 1	2
5	E672451	SCREW, SHSS 1/4-20 X 1/4	1

NOTES:

Art's

Since

NOTES:





Art's-Way Manufacturing Co., Inc. TECHNICAL MANUALS

Manuals are available from your local dealer or Art's-Way Manufacturing Co., Inc. for the operation, service, and repair of your machine. For prompt convenient service, contact your local dealer for assistance in obtaining the manuals for your machine.

Your local dealer can expedite your order for operator manuals, illustrated parts catalogs, service manuals, and maintenance records.

Always give the Machine Name, Model, and Serial Number so your local dealer can provide the correct manuals for your machine.

Art's-Way Manufacturing Co., Inc. reserves the right to make improvements in design or changes in specifications at any time without incurring any obligation to install them on units previously sold.

Except as expressly authorized, no part of this manual may be reproduced, copied, transmitted, disseminated, downloaded or stored in any storage medium, for any purpose without the express prior written consent of Art's-Way Manufacturing Co., Inc.

ART'S-WAY MANUFACTURING CO., INC.

HWY 9 WEST - PO Box 288

Armstrong, IA. 50514 U.S.A

© Copyright 2012

ART'S-WAY MANUFACTURING CO., INC.

All Rights Reserved