

SUPPLEMENT SHEET

Date: February 2, 2022

Subject: Battery Connection and Removal

Model(s): Pro Z 900 Series

The instructions in this supplement sheet replace the instructions in the Connecting the Battery Cables, Removing the Battery (SD Models) and Removing the Battery (SDL Models) sections of the Operator's Manual.

ASSEMBLY (PAGE 11)

Connecting the Battery Cables

WARNING

California **PROPOSITION 65**: Battery posts, terminals, and related accessories contain lead and lead compounds, chemicals known to the State of California to cause cancer and reproductive harm. Wash hands after handling.

CAUTION

When attaching battery cables, always connect the **POSITIVE (Red)** wire to its terminal first, followed by the **NEGATIVE (Black)** wire.

For shipping reasons, both battery cables on your equipment may have been left disconnected from the terminals at the factory. To connect the battery cables, proceed as follows:

SD MODELS

1. Using the lever on either side of the back of the seat, lift up on the lever and tilt the seat forward locking it in place with the seat prop. Remove the vertical mount bolts and nuts (if present) from the manual bag.

NOTE: The positive battery terminal is marked POS. (+) (a). The negative battery terminal is marked NEG. (-) (b). See Figure 1.

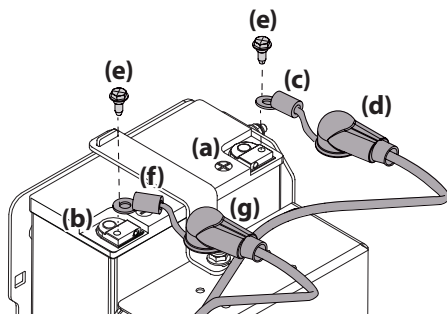


Figure 1

NOTE: If the positive battery cable (c) is already attached, skip ahead to Step 4. See Figure 1.

2. Slide the red boot (d) from the positive battery terminal (a) and attach the red cable (c) with the vertical mount bolt (e). See Figure 1.
3. Position the red boot (d) over the positive battery terminal (a) to insulate it and help protect it from corrosion. See Figure 1.
4. Slide the black boot (g) from the negative battery terminal (b) and attach the black cable (f) to the negative battery terminal (b) with the vertical mount bolt (e). See Figure 1.
5. Position the black boot (g) over the negative battery terminal (b) to insulate it and help protect it from corrosion. See Figure 1.

NOTE: If the battery is put into service after the date shown on top/side of battery, charge the battery prior to operating the machine.

SDL MODELS

1. Using the lever on either side of the back of the seat, lift up on the lever and tilt the seat forward locking it in place with the seat prop. Remove the vertical mount bolts and nuts (if present) from the manual bag.

NOTE: The positive battery terminal is marked POS. (+) (a). The negative battery terminal is marked NEG. (-) (b). See Figure 2.

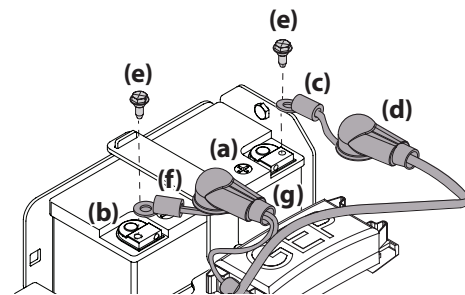


Figure 2

NOTE: If the positive battery cable (c) is already attached, skip ahead to Step 4. See Figure 2.

2. Slide the red boot (d) from the positive battery terminal (a) and attach the red cable (c) with the vertical mount bolt (e). See Figure 2.
3. Position the red boot (d) over the positive battery terminal (a) to insulate it and help protect it from corrosion. See Figure 2.
4. Slide the black boot (g) from the negative battery terminal (b) and attach the black cable (f) to the negative battery terminal (b) with the vertical mount bolt (e). See Figure 2.
5. Position the black boot (g) over the negative battery terminal (b) to insulate it and help protect it from corrosion. See Figure 2.

NOTE: If the battery is put into service after the date shown on top/side of battery, charge the battery prior to operating the machine.



SUPPLEMENT SHEET

Date: February 2, 2022

Subject: Battery Connection and Removal

Model(s): Pro Z 900 Series

PRODUCT CARE (PAGES 24 AND 25)

Removing the Battery (SD Models)

⚠ CAUTION

Battery posts, terminals, and related accessories contain lead and lead compounds. Wash hands after handling.

1. Flip the seat all the way forward.
2. Remove the vertical mount bolt securing the black negative battery lead (a) to the negative battery post (marked NEG (-)). Move the cable away from the negative battery post. See Figure 3.

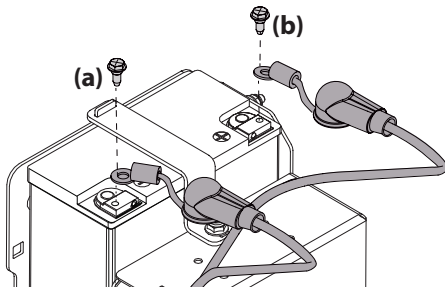


Figure 3

3. Remove the vertical mount bolt securing the red positive battery lead (b) to the positive battery post (marked POS (+)). Move the cable away from the positive battery post. See Figure 3.
4. Locate and hold the carriage bolt (a) at the front of the battery bracket (c) to prevent it from falling. See Figure 4.

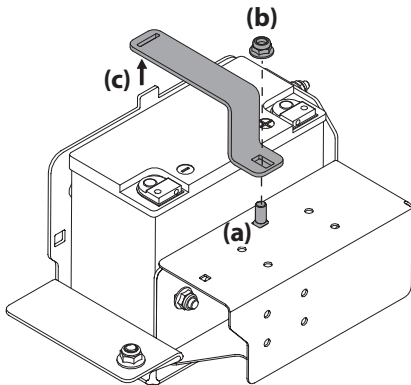


Figure 4

5. Remove the hex lock nut (b) securing the battery bracket (c) in place. Save the carriage bolt and hex lock nut for later reinstallation. See Figure 4.
6. Lift the battery bracket (c) off of the tab at the left side of the battery compartment and save for later reinstallation. See Figure 4.

Removing the Battery (SDL Models)

⚠ WARNING

Battery posts, terminals, and related accessories contain lead and lead compounds. Wash hands after handling.

1. Flip the seat all the way forward.
2. Remove the vertical mount bolt securing the black negative battery lead (a) to the negative battery post (marked NEG (-)). Move the cable away from the negative battery post. See Figure 5.

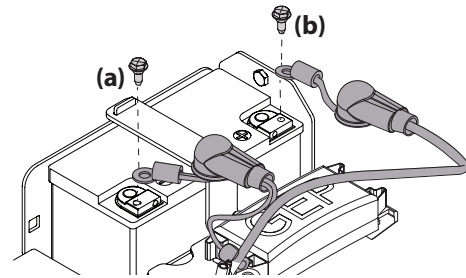


Figure 5

3. Remove the vertical mount bolt securing the red positive battery lead (b) to the positive battery post (marked POS (+)). Move the cable away from the positive battery post. See Figure 5.
4. Locate and hold the carriage bolt (a) at the front of the battery bracket (c) to prevent it from falling. See Figure 6.

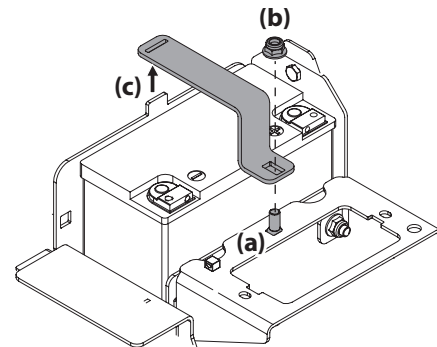


Figure 6

5. Remove the hex lock nut (b) securing the battery bracket (c) in place. Save the carriage bolt and hex lock nut for later reinstallation. See Figure 6.
6. Lift the battery bracket (c) off of the tab at the left side of the battery compartment and save for later reinstallation. See Figure 6.