



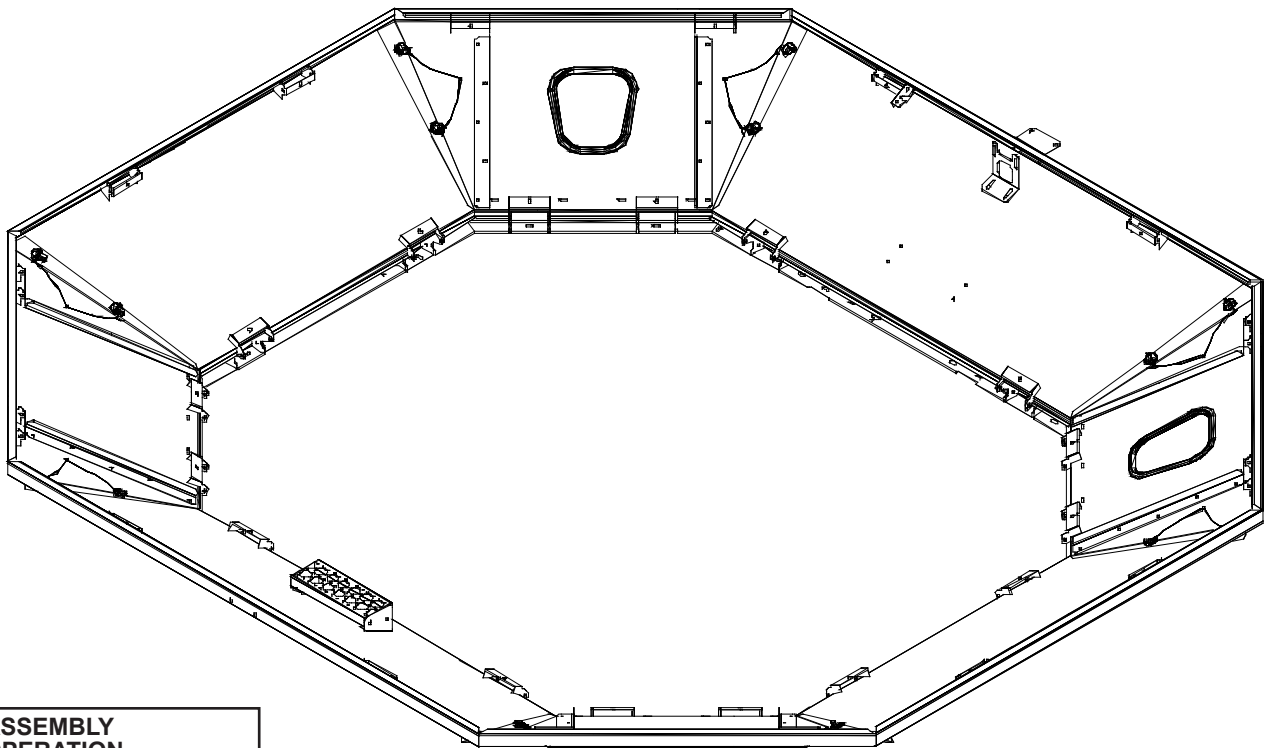
Doing Our Best to Provide You the Best

8E000015, Rev AE
6/27/14

COMBINE GRAIN TANK EXTENSION

9E000015 - Case/New Holland Regular Extension

**PLACE IN COMBINE CAB AFTER ASSEMBLY
FOR FUTURE REFERENCE.**



**ASSEMBLY
OPERATION
REPLACEMENT PARTS**

OPERATOR MANUAL

INTRODUCTION

Thank you for purchasing a Demco grain tank extension. Proper care and use will result in many years of service.



WARNING: TO AVOID PERSONAL INJURY OR DEATH, OBSERVE THE FOLLOWING INSTRUCTIONS:

Ensure that anyone present is clear before applying power to any machinery used in conjunction with a Demco grain tank extension.

Never allow anyone in or near the grain tank of a combine during loading or unloading of grain. The accumulation of grain is dangerous and can cause entrapment, resulting in serious injury or death by suffocation.

Adding a Demco Bin Extension or Tip-Up increases the overall height of your combine. Use caution when operating around trees, buildings, power lines, and when approaching bridges and over passes. Pay attention to height restrictions.

Do not exceed advertised maximum capacity of a Demco grain tank extension.

GENERAL INFORMATION

1. Read assembly instructions carefully. Study assembly procedures and all illustrations before you begin assembly. Note which parts are used in each step. This unit must be assembled in proper sequence or complications could result.
2. When placing a parts order, refer to this manual for proper part numbers and place order by **PART NO. and DESCRIPTION.**
3. Whenever terms “**LEFT**” and “**RIGHT**” are used in this manual it means from a position behind the combine and facing forward.

Table of Contents

General information.....	2
Safety, Signal Words.....	3
Product Safety Guidelines.....	4
Safety Sign Locations	5
Safety Sign Care	5
Product Disclaimer	5
Parts Breakdown.....	6
Parts List.....	7
Frame Assembly	8
Panel Assembly.....	8-10
Misc. Bracket Assembly	10
Completed Assembly, Mounting Instructions	11
Mounting Instructions, Wiring, & Tank Cap Installation	12

SAFETY

TAKE NOTE! THIS SAFETY ALERT SYMBOL FOUND THROUGHOUT THIS MANUAL IS USED TO CALL YOUR ATTENTION TO INSTRUCTIONS INVOLVING YOUR PERSONAL SAFETY AND SAFETY OF OTHERS. FAILURE TO FOLLOW THESE INSTRUCTIONS CAN RESULT IN INJURY OR DEATH!



**THIS SYMBOL MEANS
ATTENTION
BECOME ALERT
YOUR SAFETY IS INVOLVED!**

SIGNAL WORDS

Note use of following signal words **DANGER**, **WARNING**, and **CAUTION** with safety messages. The appropriate signal word for each has been selected using the following guidelines:

DANGER: Indicates an imminently hazardous situation that, if not avoided, could result in death or serious injury. This signal word is to be limited to most extreme situations typically for machine components which, for functional purposes, cannot be guarded.

WARNING: Indicates a potentially hazardous situation that, if not avoided, could result in death or serious injury, and includes hazards that are exposed when guards are removed. It may also be used to alert against unsafe practices.

CAUTION: Indicates a potentially hazardous situation that, if not avoided, may result in minor or moderate injury. It may also be used to alert against unsafe practices.



EQUIPMENT SAFETY GUIDELINES

Every year many accidents occur which could have been avoided by a few seconds of thought and a more careful approach to handling equipment. You, the operator, can avoid many accidents by observing the following precautions in this section. To avoid personal injury, study the following precautions and insist those working with you, or you yourself, follow them.

Replace any caution, warning, danger or instruction safety decal that is not readable or is missing. Location of such decals is indicated in this booklet.

Review safety instructions with all users annually.

Operator should be a responsible adult. **DO NOT ALLOW PERSONS TO OPERATE OR ASSEMBLE THIS UNIT UNTIL THEY HAVE DEVELOPED A THOROUGH UNDERSTANDING OF SAFETY PRECAUTIONS AND HOW IT WORKS.**

Do not paint over, remove, or deface any safety signs or warning decals on your equipment. Observe all safety signs and practice instructions on them.

Never exceed limits of a piece of machinery. If it's ability to do a job, or to do so safely is in question **DON'T TRY IT.**

Adding a Demco Bin Extension or Tip-Up increases the overall height of your combine. Use caution when operating around trees, buildings, power lines, and when approaching bridges and over passes. Pay attention to height restrictions.

Fold and secure (if needed) the grain tank extension panels when transporting the combine to avoid contact with low power lines and other obstructions.

Use the panel safety step to safely enter and exit the grain tank.

Ensure that any additional bracing and safety equipment have been installed according to this manual. (Some models do not require additional bracing or safety equipment)

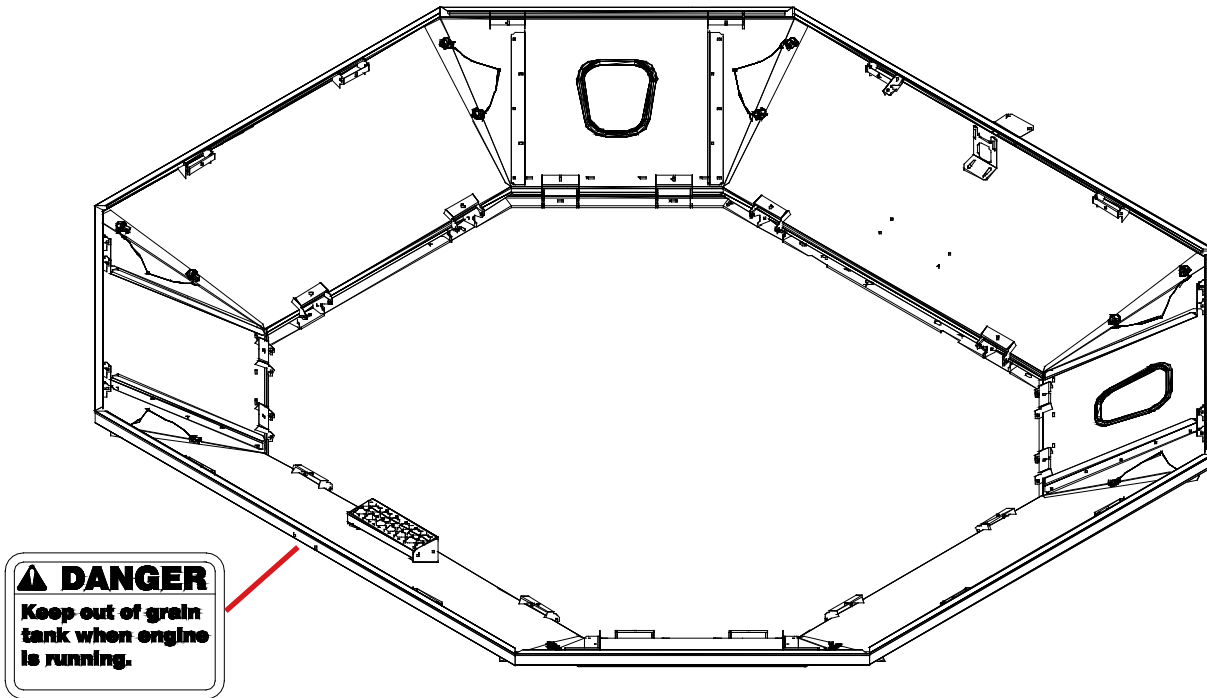
Ensure that the grain tank extension frame has been properly mounted to the combine according to this manual.

Never exceed the maximum advertised capacity of the grain tank extension. By doing so you risk damage to the grain tank extension.



SAFETY SIGN LOCATIONS

Types of safety sign and locations on equipment are shown in illustration below. Good safety requires that you familiarize yourself with various safety signs, type of warning, and area or particular function related to that area, that requires your SAFETY AWARENESS.



SAFETY SIGN CARE

- Keep safety signs clean and legible at all times.
- Replace safety signs that are missing or have become illegible.
- When replacing panels, make sure all applicable safety decals are in place.
- Safety signs are available from the Spencer plant.

PRODUCT DISCLAIMER

Increasing the grain tank capacity of any combine by use of this product is at the discretion of the owner. Increasing the grain holding capacity of any combine may affect the structural aspects of the combine as well as drive line components and tires. Although Demco has included additional support bracing on selected models, it does not assume liabilities, or make any warranties pertaining to the structural stability or performance of any combine. See the combine owners/operators manual for additional combine specifications and safety information not listed in this manual.

Grain Tank Extension Breakdown

Case IH / New Holland Grain Tank Extension

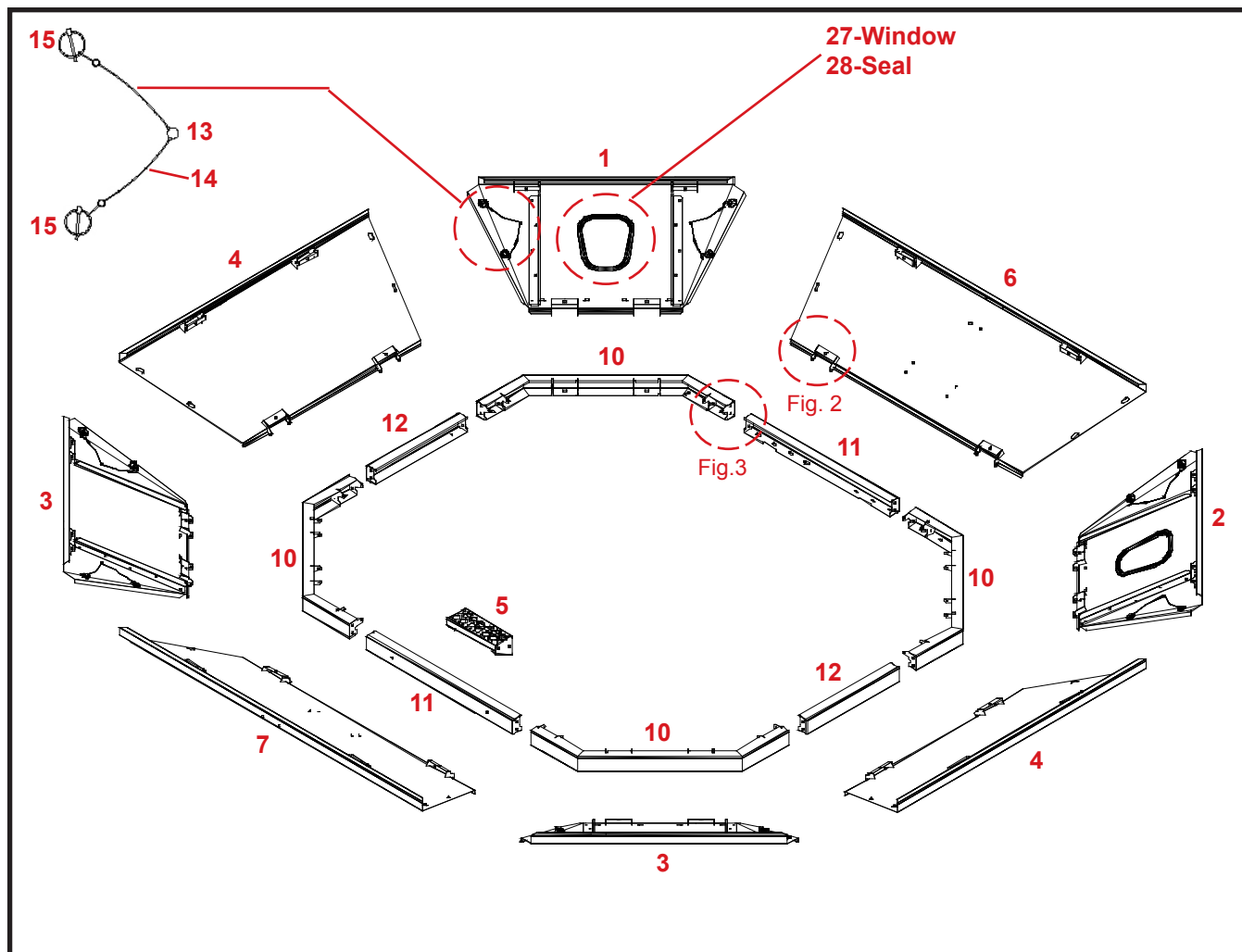


Figure 1

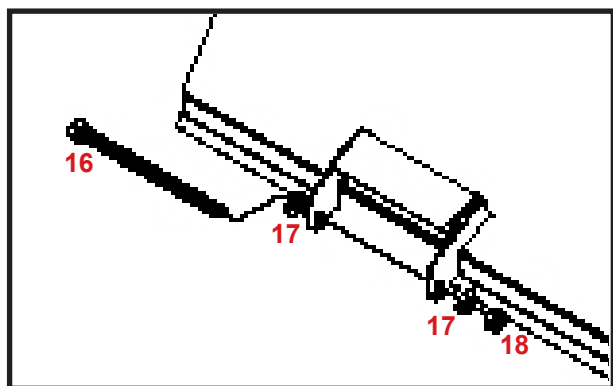


Figure 2

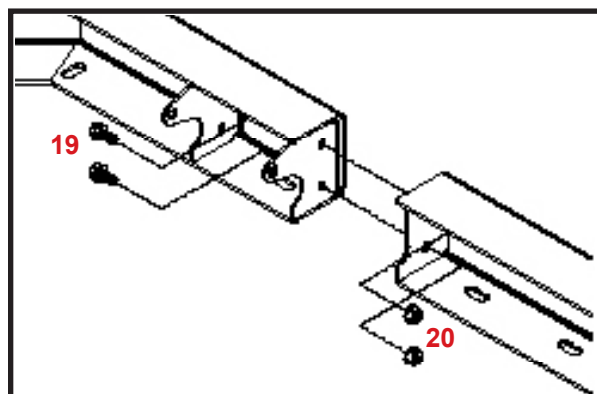


Figure 3

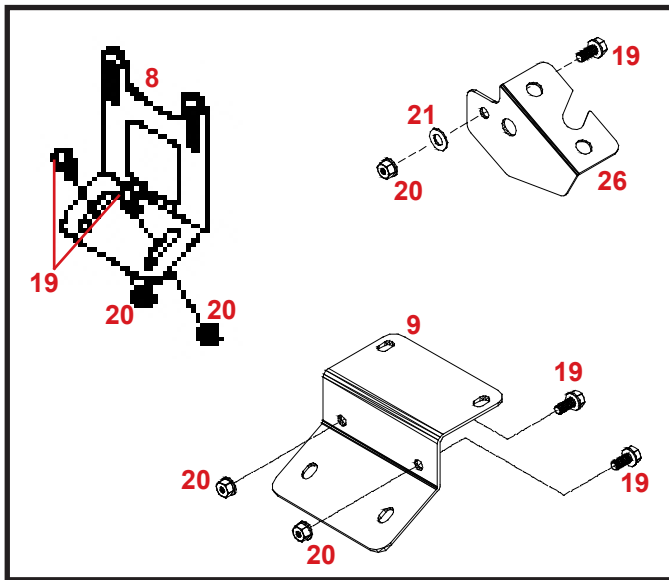


Figure 4

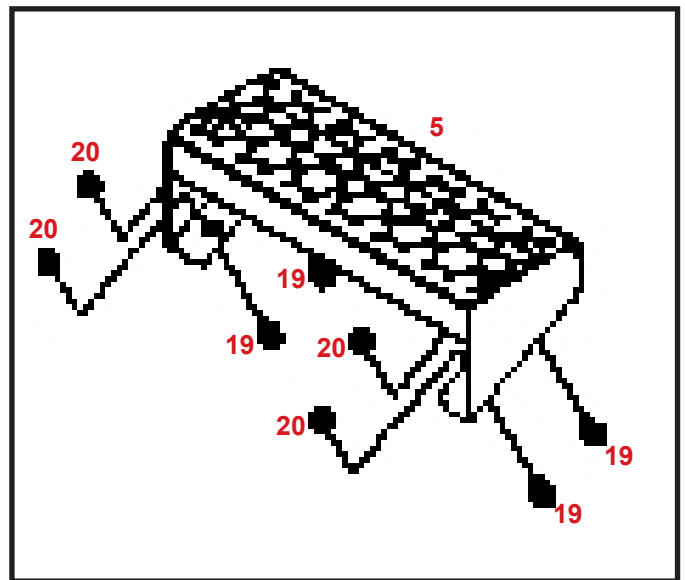


Figure 5

PARTS LIST

Please order replacement parts by PART NO. and DESCRIPTION.

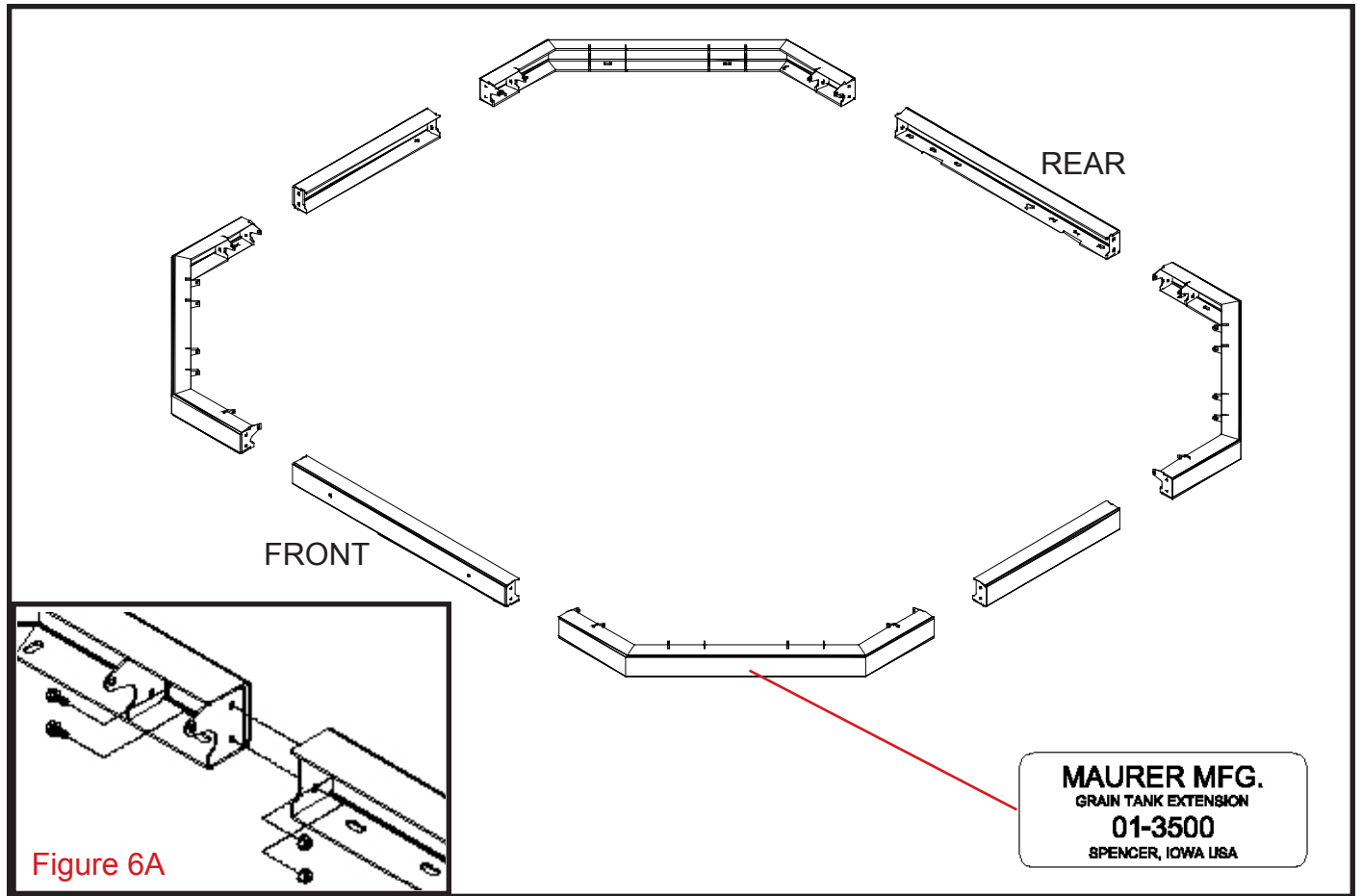
REF. NO.	PART NO.	QTY.	DESCRIPTION
1.	R5E000011LO	1	Front Left Corner Panel
2.	R5E000003LO	1	Front Right Corner Panel
3.	R5E000005LO	2	Rear Corner Panel
4.	R5E000044LO	2	Side Panel
5.	R5E000006LO	1	Extension Safety Step
6.	R5E000004LO	1	Front Panel
7.	R5E000010LO	1	Rear Panel
8.	R3E000015LO	1	Base Sensor Bracket
9.	R3E000022LO	1	Base GPS Bracket
10.	R5E000007LO	4	Frame Corner Assembly
11.	R5E000008LO	2	Frame Splice Assembly (Front & Rear)
12.	R5E000043LO	2	Frame Splice Assembly (Side)
13.	1AF032D0000	8	Press Rivet
14.	1AF031DKA00	16	Nylon Lanyard
15.	1AF034CAA10	16	3/16" x 1-9/16" Lynch Pin
16.	1AFC12FFA05	16	3/8" x 6.00 Hex Bolt
17.	1AF009E000C	40	3/8" SAE Flat Washer
18.	1AFC18F0000	20	3/8" Nylon Lock Nut
19.	1AFC37E00L0	32	5/16" x 3/4" Serrated Flange Bolt
20.	1AFC08E0000	38	5/16" Serrated Flange Nut
21.	1AF046EAAD0	2	5/16" x 1-1/4" x .120 Washer
22.	1AR00000012	2	Frame Spacer (Side) "Figure 13, Page 11"
23.	1AR00000011	1	Frame Spacer (Front) "Figure 13, Page 11"
24.	1AR00000009	1	Frame Spacer (Rear) "Figure 13, Page 11"
*25.	1AFC37FAAH5	4	3/8" x 1-1/2" Serrated Flange Bolt GR.5
26.	R3E000003LO	1	Base Light Bracket
27.	1AWALACKAMC	2	Window
28.	R3E000026LO	2	Window Seal
29.	R3E000091LO	1	Right Front Tank Cap "Figure 14, Page 12"
30.	R3E000093LO	1	Right Rear Tank Cap "Figure 14, Page 12"
31.	R3E000094LO	1	Left Rear Tank Cap "Figure 14, Page 12"
32.	R3E000092LO	1	Left Front Tank Cap "Figure 14, Page 12"
*33.	1AEX0015243	1	Case/NH Wire Harness
*34.	1AFC35CAACC	12	#12 X 1" Self Tapping Screw

* Indicates items not shown in illustrations

NOTE: In order to simplify the assembly process, we recommend that the grain tank extension be assembled on the ground and hoisted to the top of the combine.

FRAME ASSEMBLY

Arrange the frame components as shown in figure 6. The frame corner with the serial number decal is the left front frame corner. Fasten the frame joints together with two 5/16" x 3/4" serrated flange bolts and two 5/16" serrated flange nuts per joint. See figure 6A.



PANEL ASSEMBLY

STEP 1:

Using one 3/8" x 6" hex bolt, two 5/16" washers and one 3/8" nylon lock nut per hinge point, attach the extension corner panels to the frame of the grain tank extension. See figure 7A.

NOTE: DO NOT over tighten nuts and distort hinge component, but ensure nylon lock nut fully engages bolt threads.

STEP 2:

Assemble all four corner panels to the frame (panels with windows are to be fastened to the front) and slowly fold the panels outward to accept the front, rear, and side panels. The corner panel with the Demco logo on the back side is the left front corner. See figure 7.



ATTENTION: DAMAGE TO CORNER PANEL CAN OCCUR IF NOT FOLDED OUTWARD SLOWLY!

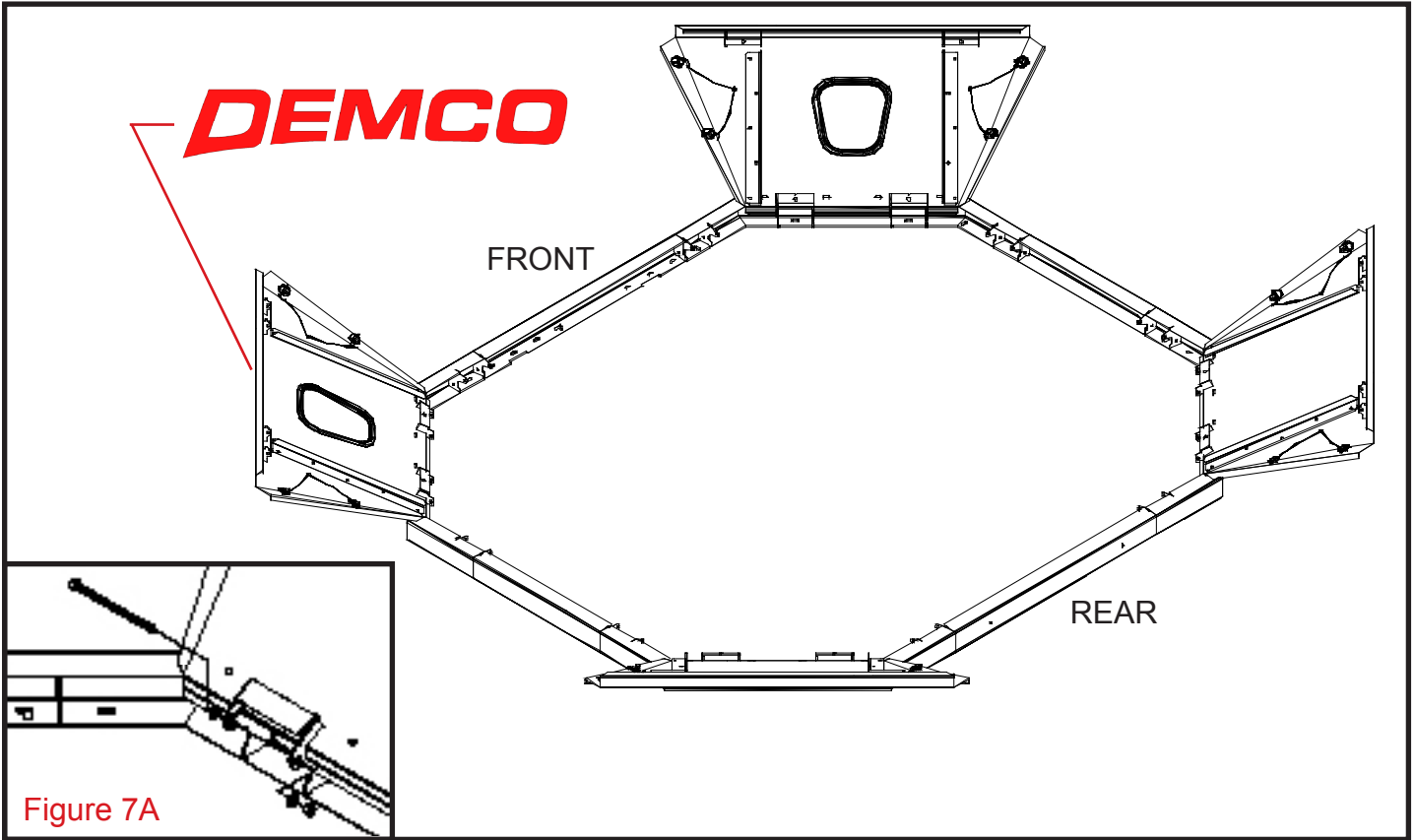


Figure 7

STEP 3:

Assemble the front, rear, and side panels the same as the corner panels. Please ensure that the panel with DANGER decal is the rear panel. This panel will also receive the safety step.

STEP 4:

Remove the partial cut slugs near the bottom of the rear panel, and fasten the safety step to the rear panel using 5/16" x 3/4" serrated flange bolts and 5/16" serrated flange nuts. When mounting, place the nuts to the inside. See figure 8.

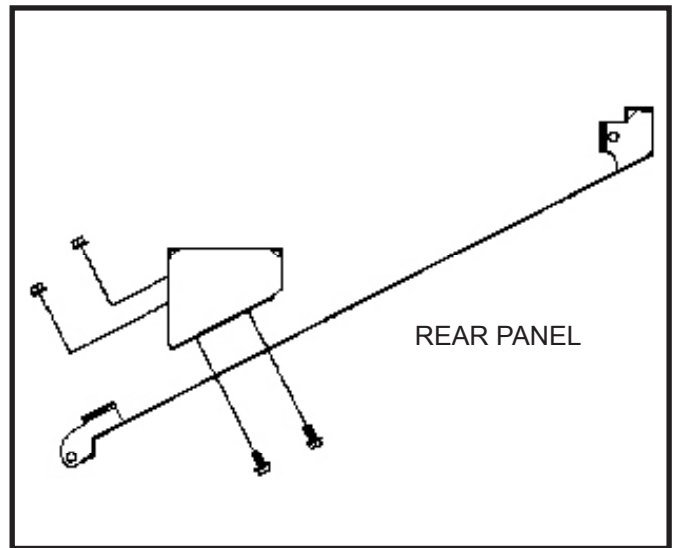


Figure 8



ATTENTION: DANGER decal must be facing the rear of the combine!

STEP 5:

Remove the partial cut slugs near the top of the front panel and fasten the tank full sensor bracket to the front panel using two 5/16" x 3/4" serrated flange bolts and two 5/16" serrated flange nuts. See figure 9.

NOTE: If installing Tip-Up unit with base extension unit, do not remove slugs. Sensor will be located on Tip-Up unit.

STEP 6:

Fasten the provided light bracket to the front panel using one 5/16" x 3/4" serrated flange bolt, one 5/16" serrated flange nut, and one 5/16" x 1-1/4" x .120 washer. See figure 10.

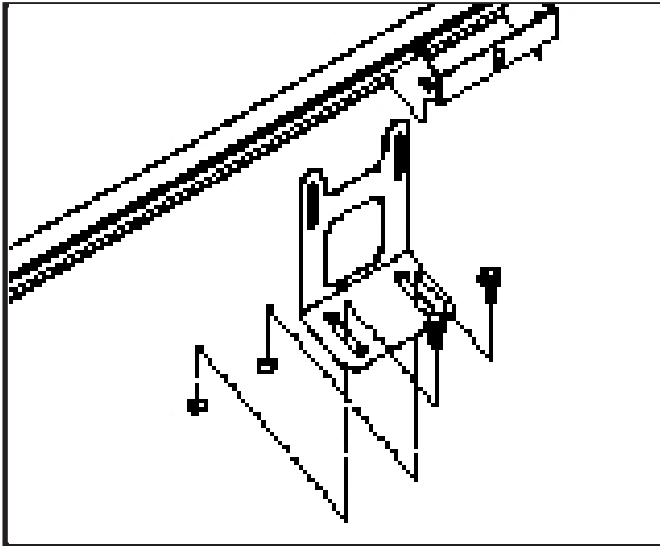


Figure 9

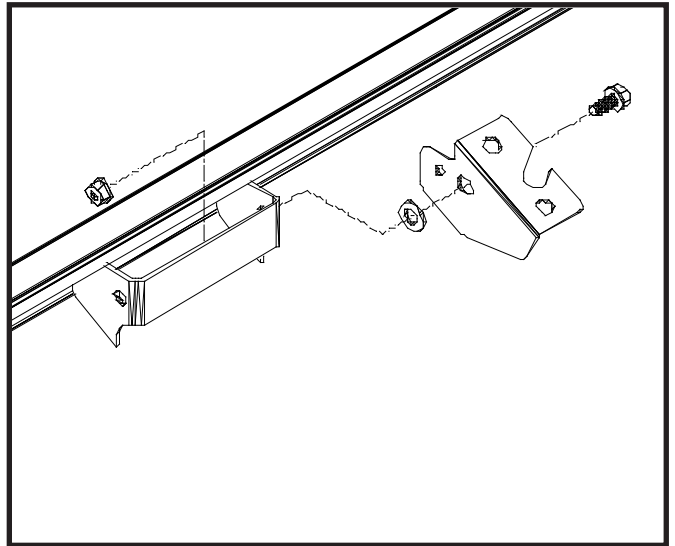


Figure 10

STEP 7:

Remove the partial cut slugs from the vertical leg of the front panel, and mount the base GPS bracket using 5/16" x 3/4" serrated flange bolts and 5/16" serrated flange nuts. See figure 11.

STEP 8:

Align two nylon lanyards with one press rivet and fasten together. Loop and lock the ends of the lanyards around one lynch pin each. Fasten the complete assembly to the two small holes located on the corner panels. See figure 12.

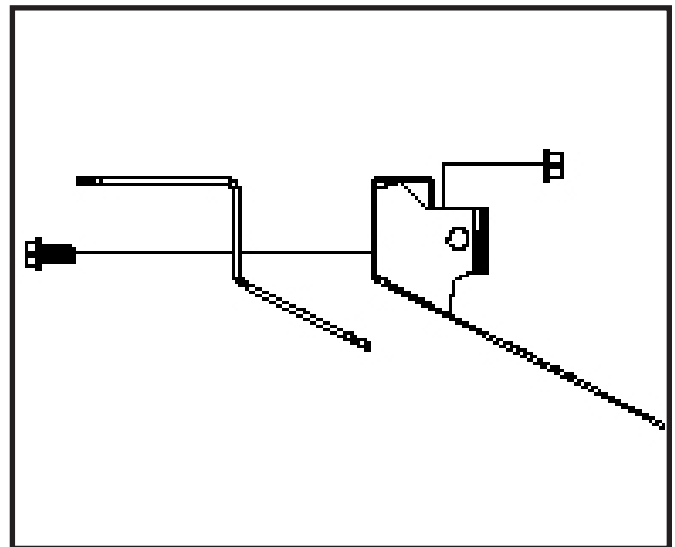


Figure 11

Completed Grain Tank Extension Assembly

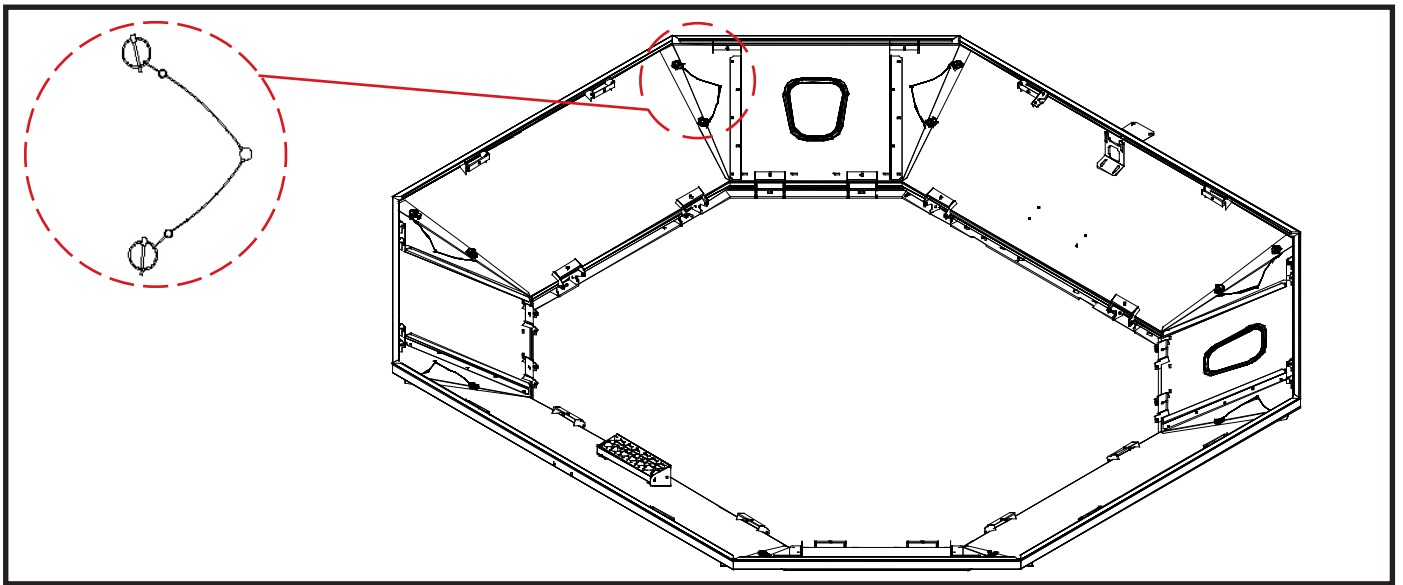


Figure 12

Mounting Instructions

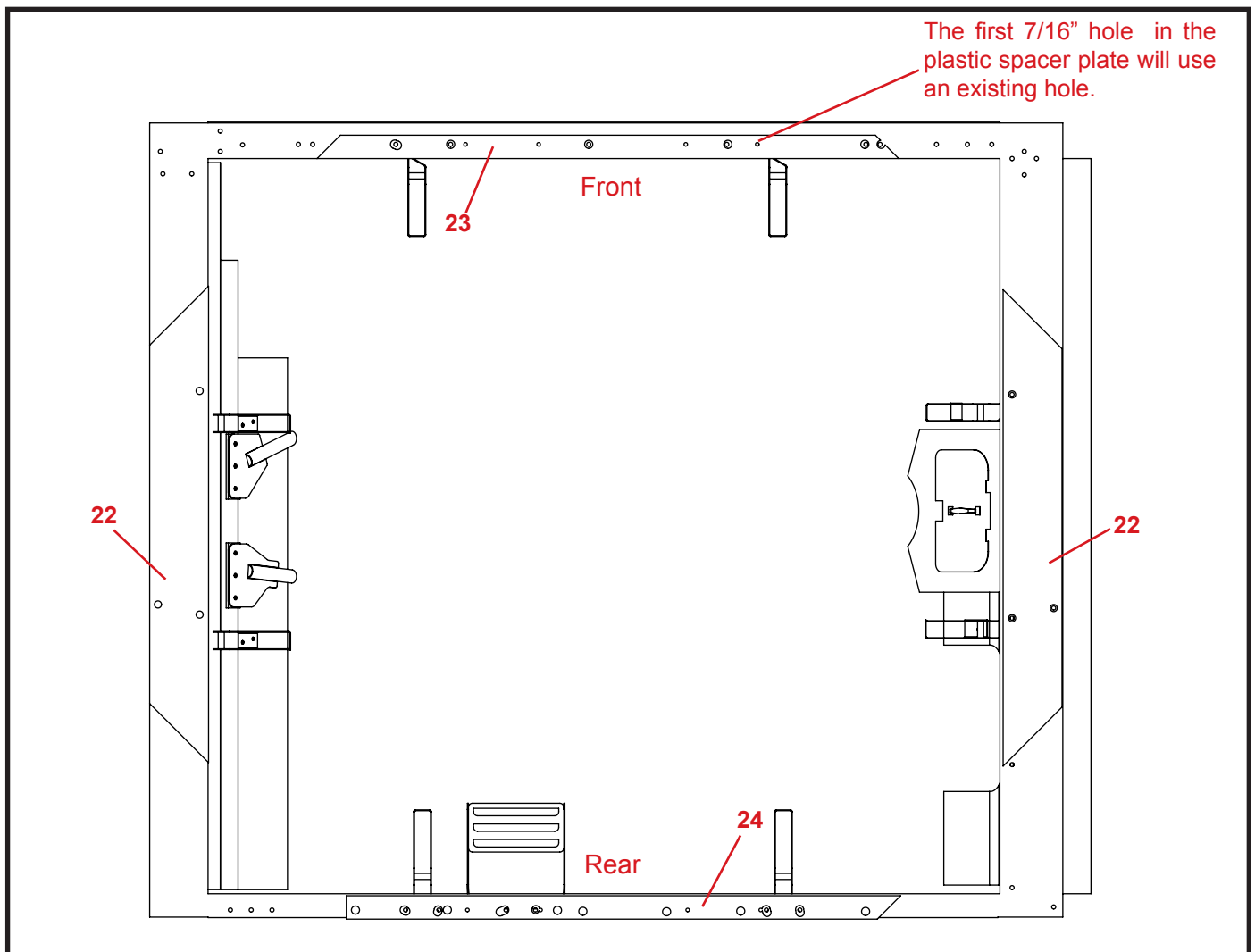


Figure 13

MOUNTING INSTRUCTIONS

STEP 1:

Remove factory installed extension and all mounting brackets provided by the combine manufacturer. Failure to do so will not allow the Demco extension to function properly.

STEP 2:

Place the plastic frame spacer plates on the combine's grain tank as shown in Figure 13. The large holes in the spacer plates allow them to fit over bolt heads that protrude above the grain tank. The front and rear plastic spacer plates each have (4) 7/16" holes in them. Use these holes as a drill template and drill a 7/16" hole through the grain tank in each location.



ATTENTION: Failure to drill holes cautiously may cause damage to the engine!! Damage to the air cleaner may occur if holes in the rear of the tank are drilled too deep!!

STEP 3:

Place the Demco extension on top of the plastic spacer plates.

STEP 4:

Secure the extension to the combine's grain tank by using one 3/8" x 1-1/2" serrated flange bolt, one 3/8" flat washer, and one 3/8"-16 nylon lock nut in each of the 7/16" holes which were drilled in STEP 2.

SENSOR AND LIGHT WIRING

STEP 1:

Mount the OEM light to the previously mounted light bracket on the front panel. Fasten with the original hardware.

STEP 2:

Mount the tank full sensor to the slots in the bracket using the original hardware. Use the provided wire harness to connect the sensor to the OEM wiring.

FOLDING SEQUENCE

- 1) Fold right side panel into tank.
- 2) Fold left side panel into tank.
- 3) Fold front panel into tank.
- 4) Fold rear panel into tank.
- 5) Fold in corner panels.

TANK CAP INSTALATION

Layout the Tank Caps as shown in figure 14. Fasten Tank Caps to the extension frame corners using 5/16" serrated bolts and nuts. (Tabs will be on the underside of the frame) Complete by screwing the Tank Caps to the outer rim of the tank with #12 x 1" self tapping screws.

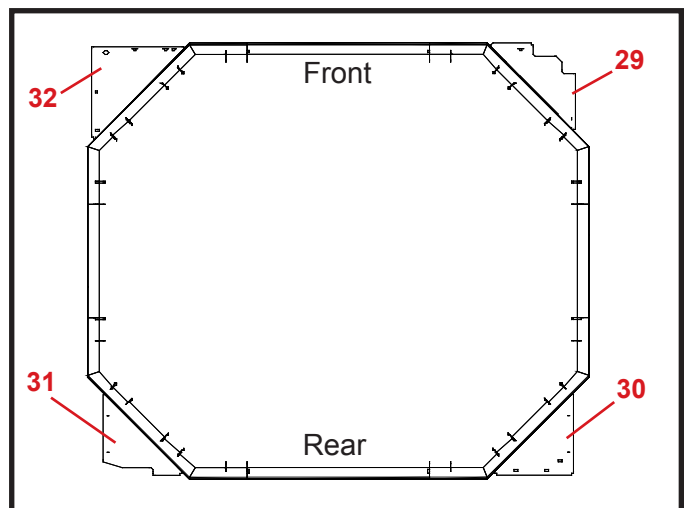


Figure 14