

COMBINE GRAIN TANK EXTENSION

9E000019 - Case IH 2577 Riser Kit

PARTS LIST

Please order replacement parts by PART NO. and DESCRIPTION.

REF.#	PART #	QTY.	DESCRIPTION
1.	R3E000055S0	1	Case IH Riser-Front
2.	R3E000056S0	1	Case IH Riser-Rear
3.	R3E000119S0	1	Case IH 2577 Riser-Left
4.	R3E000120S0	1	Case IH 2577 Riser-Right
5.	R3E000059S0	4	Case IH Riser Corner Tie
6.	1AFC37E00L0	24	5/16" x 3/4" Serrated Flange Bolt
7.	1AFC08E0000	24	5/16" Serrated Flange Nut

STEP 1:

Fasten both the front and rear Riser Boards to the top lip of the grain tank using three 5/16" x 3/4" serrated flange bolts and three 5/16" serrated flange nuts per board. (Boards may need to be adjusted once the left & right boards have been attached to square the unit.)

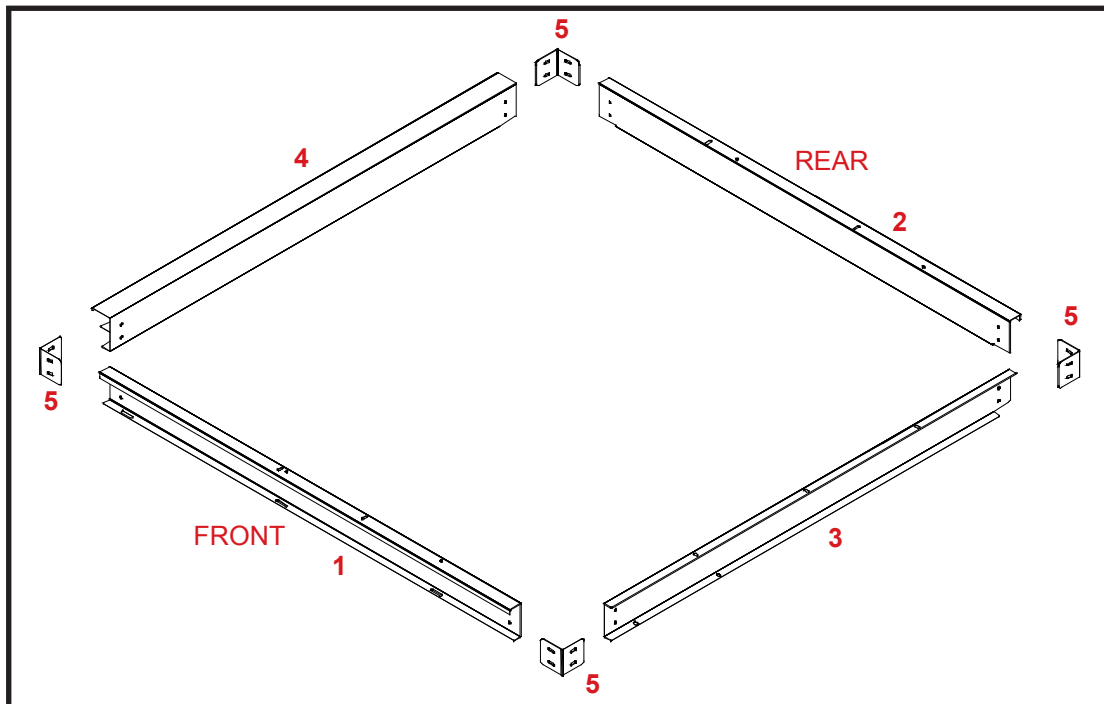


Figure 1

STEP 2:

Assemble the right and left Riser boards to the front and rear Riser boards attached to the top of the grain tank. Butt the right and left Riser boards against the front and rear boards and secure together using the formed Riser tie bracket. Fasten the brackets to the outside of the boards using four 5/16" x 3/4" serrated flange bolts and four 5/16" serrated flange nuts per bracket. See figure 2 & 3.

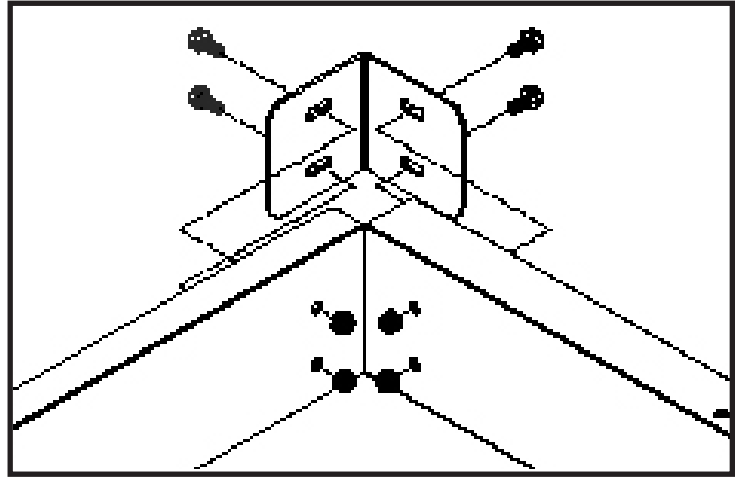


Figure 2

STEP 3:

Once the corner tie brackets have been secured to the Riser boards, square the unit with the grain tank before tightening down the front and rear boards to the top of the grain tank.

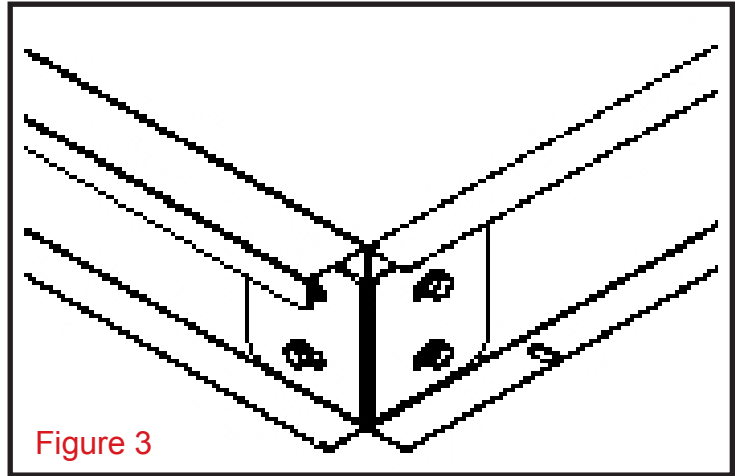


Figure 3

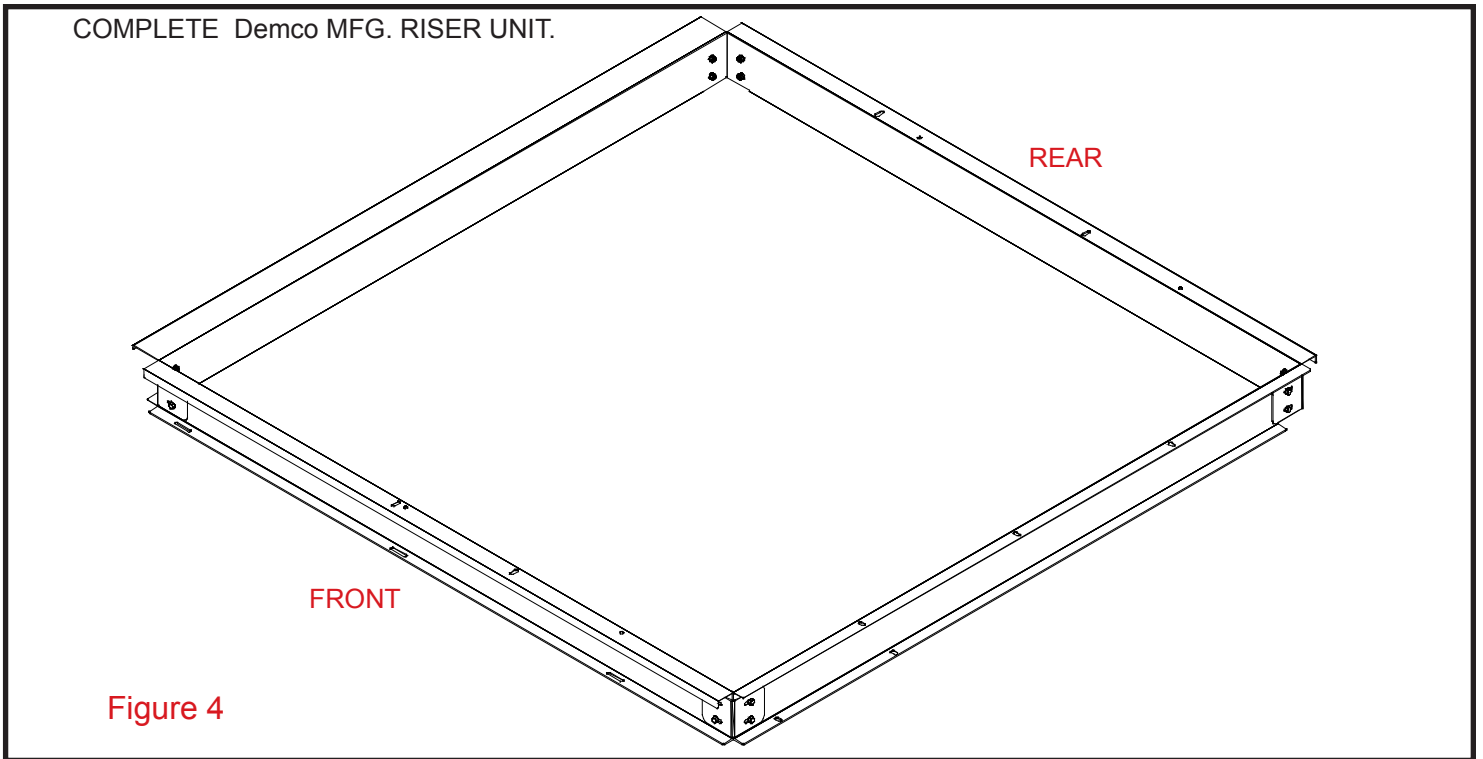


Figure 4