

# WOODS DARE-TO-COMPARE BW12 BATWING®

The original Batwing® in a 12-foot width, designed specifically for compact tractors



# WOODS BW12 BATWING® DARE-TO-COMPARE

Since 1963, the legendary Batwing® rotary cutter has set the standard for flex-wing cutters and is now available for your compact and utility tractors. Requiring a minimum of 35 hp, the BW12 gives you Woods quality and performance in a sleek, round-front design and our industry-leading sloped deck.

## Match Your Tractor Color

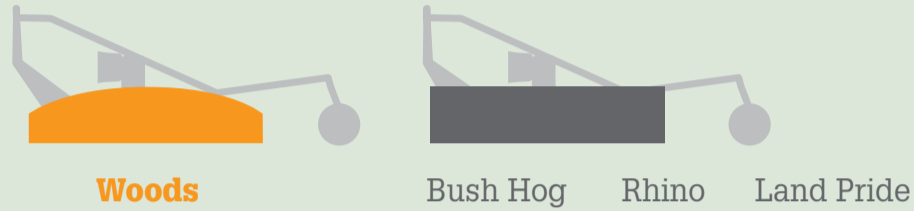


## Easy Maintenance\*

### Sloped Deck

**WOODS Exclusive**

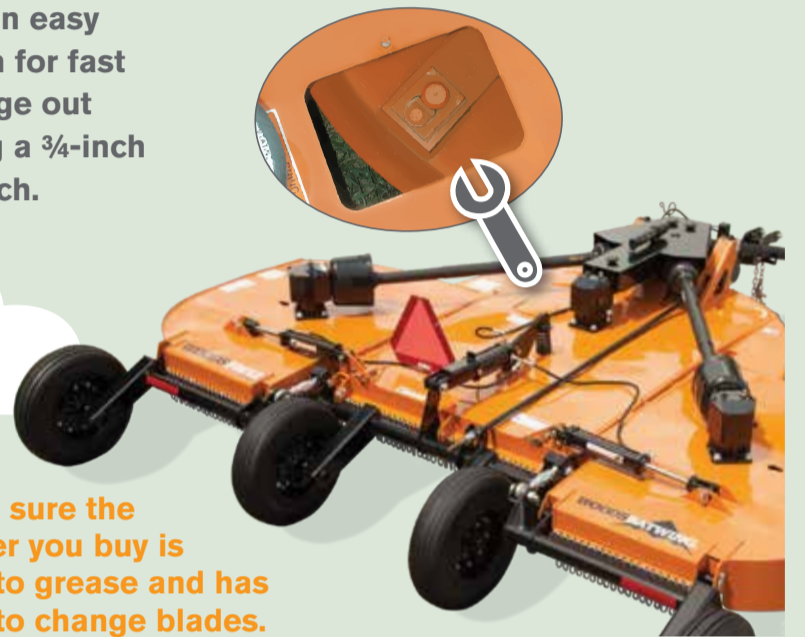
Sloped top deck sheds debris — easy to clean and maintain.



### Quick-Change Blade Pins

**WOODS Exclusive**

Within easy reach for fast change out using a 3/4-inch wrench.



\* Make sure the mower you buy is easy to grease and has easy to change blades.

### Service

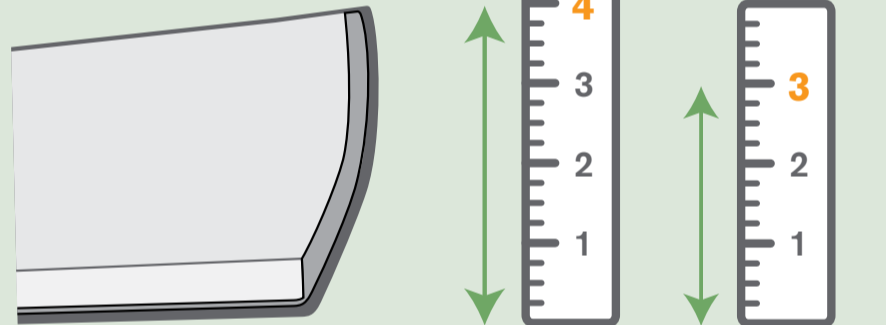
All Woods equipment is backed by superior service from a nationwide network of Woods Dealers.



## Performance

### Larger Blades

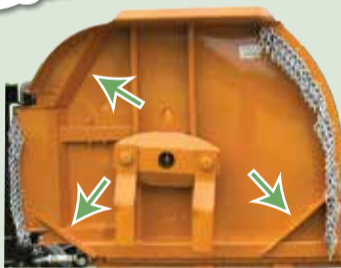
More lift and better cut quality with 4-inch blades.



### Fully Baffled

**WOODS Exclusive**

Better cut quality and even distribution from strategically placed baffles.



Woods



Bush Hog  
Land Pride  
Rhino

### Less Weight

**WOODS Exclusive**

Lower tongue and overall weight means better weight distribution fitting a wider range of compact tractors.

### Exclusive Curved Design

**WOODS Exclusive**



Rounded wings slice through tall grass while curved leading edge shrugs off impact.

## Durability

### Full Size Links

**CUSTOMER Preferred**

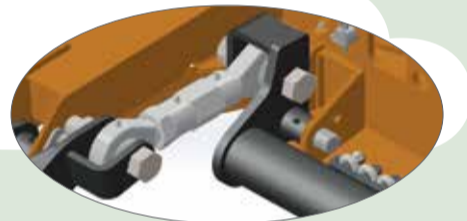
More durable than smaller sized links.



Woods  
Bush Hog

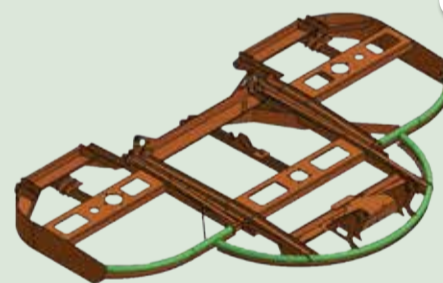


Land Pride  
Rhino



### Tubular Front Bumper

**WOODS Exclusive**



Steel tubes across the front absorb shocks and create a stronger, longer-lasting rotary cutter.

### Spring Suspension

Offers more cushion and smoother operation than a rubber dampener.



Woods  
Land Pride

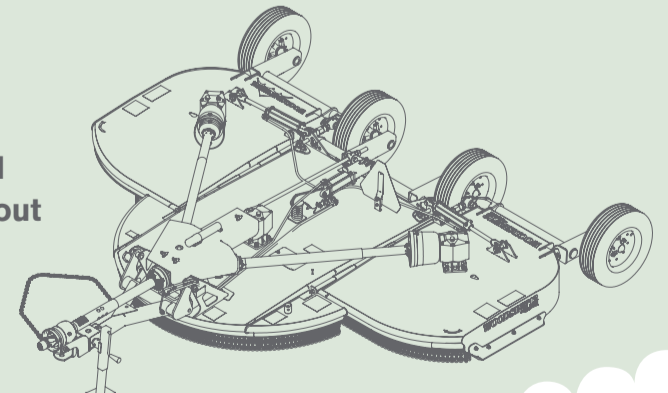


Bush Hog  
Rhino



### High-strength Steel Throughout

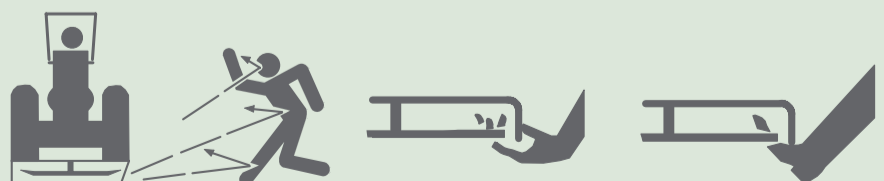
Incorporating the same high-strength grade 50 steel used throughout all Woods Batwing cutters.



## Safety\*\*

### Safety Tested

All Woods cutters are tested to applicable industry mower safety standards.



\*\* Make sure the mower you buy is tested for safe operation.

## Competitive Specification Chart

SPECIFICATIONS	Woods BW12	Bush Hog 2212	Land Pride RC2512	Rhino TS12 Stealth
Cutting Width	12 ft	12 ft	12 ft	12 ft
Cutting Capacity	1-1/2 in	1-1/2 in	1-1/2 in	1-1/2 in
Cutting Height	2 to 12 in	2 to 14 in	1-1/2 to 12 in	1-1/2 to 12 in
Overall Weight	2500 lb	3,404 lb	2,540 lb	2,750 lb
Tongue Weight	750 lb	1,086 lb	793 lb	748 lb
Tractor PTO	540 RPM	540 RPM	540 RPM	540 RPM
Min Tractor HP	35 HP	50 HP	50 HP	35 HP
Deck Thickness	12 ga High-strength grade 50 steel	10 ga	10 ga	Center: 10 ga bottom, 12 ga top Wing: 12 ga double under gearbox
Side Frame Thickness	7 ga	7 ga	7 ga	1/4 in
Side Frame Depth	11 in	12 in	11 in	11-1/2 in
Gearbox HP - Splitter	160 HP	160 HP	160 HP	160 HP
Gearbox HP - Center	75 HP	75 HP	75 HP	65 HP
Gearbox HP - Wing	75 HP	75 HP	75 HP	65 HP
PTO Driveline	Cat 4 CV	Cat 4 CV	Cat 4 CV	Cat 4 Eq. Angle
Wing Driveline	Cat 3	Cat 3	Cat 3	Cat 3
Blade Tip Speed	14,300 FPM center 14,900 FPM wing	15,604 FPM	16,500 FPM center 16,000 FPM wing	14,504 FPM center 13,925 FPM wing
Blade Size	1/2 x 4 in	1/2 x 4 in	1/2 x 3 in	1/2 x 3 in
Hitch Type	Swivel Clevis	Swivel Clevis	Clevis	Equal Angle
Wing Flex	90° up, 22° down	87° up, 22° down	45° up, 22° down	88° up, 25° down
Tires	Laminated, Used Aircraft, Foam Filled Aircraft	Laminated, Used Aircraft, Pneumatic 15 in Wheel	Laminated, Used Aircraft	Used Aircraft
Suspension	Spring on Center Section	Spring on Center Section	Spring on Center Section	Rubber Dampeners on Center Section
Shielding	Chain	Banding/Belting, optional chains	Chain	Chain
Gearbox warranty	6-year limited	5-year limited	5-year limited	5-year limited

**POWER TEAM** **Got ideas?**  
Join our customer panel at [woodsequipment.com/power](http://woodsequipment.com/power).  
**You have the power...**

**WOODS®** | A Blount International Brand  
2606 South Illinois Route 2, Oregon, Illinois 61061 tel 800-319-6637 [woodsequipment.com](http://woodsequipment.com)

**WOODS**  
A Blount International Brand

Warning! Some images may show safety shields removed to provide a better view. Equipment should never be operated with any safety shield removed. Some machines in this brochure may be shown with optional equipment. Always operate machines in accordance with supplied operator's manuals. ©2015 Woods Equipment Company. All rights reserved. WOODS and Woods logo are trademarks of Woods Equipment Company. All other trademarks, trade names, or service marks not owned by Woods Equipment Company that appear in this brochure are the property of their respective companies or mark holders. Specifications subject to change without notice.

