

Farm King

LANDSCAPING EQUIPMENT
PRODUCTS FOR EVERY FARM

Mowers | Cutters | Tillers | Compact Implements | Fencing Equipment | Rear Blades





FARM KING PRODUCT LINE-UP

FARM KING PRODUCT CATEGORIES

Grain Handling

Tillage

Application Equipment

Hay Tools

Landscaping Equipment

Allied by Farm King
Commercial Products

FARM-KING.COM

FARM KING HAS BEEN BUILDING EQUIPMENT FOR THE AGRICULTURE INDUSTRY FOR MORE THAN 70 YEARS.

Known for dependability and value, Farm King manufactures a wide array of landscaping equipment for tractors starting at 12 hp, all of which are Quick Hitch compatible.

Farm King landscaping equipment has undergone years of testing and refinement and is built to be rugged and long lasting.

TABLE OF CONTENTS

Mowers & Cutters

Finishing Mower 4
 Triplex 8
 Flex-Wing Rotary Cutters 10
 Twin Spindle Rotary Cutters ... 14
 Series I & II Rotary Cutters 16

Soil & Aggregate Equipment

Rotary Tiller 18
 Box Scraper 20
 Landscape Rake 21
 Grading Scraper 22
 Drag Harrow 24
 Disc 25
 Cultivator 26

Fencing Equipment

Post-Hole Digger 27
 Post Driver 28

Allied by Farm King

Rear Blades 30
 Quick Hitch 33



FINISHING MOWER

PRODUCT OVERVIEW

Built for lawns and acreages

Category I

12 to 30 hp required

FEATURES

Independent axle beams

Quick Hitch compatible

Steel tube front roller

OPTIONS

UHMW poly roller prevents scalping

Solid rubber tires

Chain kit

AVAILABLE COLORS



*Red is the standard color.



FINISHING MOWER

HOME-OWNER MODELS 430, 530, 630



BLADES

Each mower features three high-speed blades with one of the highest rated tip-speeds in the industry. This creates powerful suction that lifts the grass for a crisp cut. A blade overlap of 1-5/8" to 2-5/8" prevents stripping and ensures the lawn is mowed evenly. Three, high-speed blades constructed from 1/4" x 2-1/2" alloy hardened steel are standard with optional hard-surfaced blades.

Model 430 - 4' (1.2 m) cutting width, 3-point hitch Category I
For tractors 12 - 25 hp

Model 530 - 5' (1.5 m) cutting width, 3-point hitch Category I
For tractors 15 - 30 hp

Model 630 - 6' (1.8 m) cutting width, 3-point hitch Category I
For tractors 20 - 30 hp





THE FARM KING HOME-OWNER FINISHING MOWER SERIES WAS DESIGNED AS AN ECONOMICAL CHOICE FOR USE ON LARGE ACREAGE HOMESTEADS.

These finishing mowers are Quick Hitch compatible and are available in widths ranging from 48" to 72" for tractors from 12 to 30 hp.

Farm king's top quality finishing mowers have been refined to be among the best in the industry. Independent axle beams allow for a close cut on uneven terrain, and are easily replaced when required. If mowed debris is a concern, an optional chain kit can be added to offer further protection.



[1] Independent axle beams. [2] Pneumatic tires with puncture proof sealant are standard; solid rubber tires can be equipped as an option. [3] All models are quick hitch compatible.

SPECIFICATIONS

STANDARD EQUIPMENT

- Alloy steel hardened blades
- Steel tube front roller
- 4.10 / 3.50 tires

OPTIONAL EQUIPMENT

- UHMW poly roller
- hard-surfaced blades
- PTO shaft, heavy-duty
- Solid rubber tires

| MODEL | 430 | 530 | 630 |
|---------------------|-------------------|-------------------|-------------------|
| Cutting width | 48" | 60" | 72" |
| Cutting height | 1-1/2" to 5-1/2" | 1-1/2" to 5-1/2" | 1-1/2" to 5-1/2" |
| Blade tip speed | 15,485 ft/min | 15,829 ft/min | 18,737 ft/min |
| Blades | 3 | 3 | 3 |
| Blade material | 1/4" x 2-1/4" | 1/4" x 2-1/4" | 1/4" x 2-1/4" |
| Blade length | 17-3/4" | 21-3/4" | 25-3/4" |
| Blade overlap | 1-5/8" | 2-5/8" | 2-5/8" |
| Blade drive | 2 belt B groove | 2 belt B groove | 2 belt B groove |
| Deck material | 10 gauge | 7 gauge | 7 gauge |
| Gearbox | Closed (540 RPM) | Closed (540 RPM) | Closed (540 RPM) |
| Gearbox ratio | 1 : 1.93 | 1 : 1.93 | 1 : 1.93 |
| Tractor requirement | 12 - 25 hp | 15 - 30 hp | 20 - 30 hp |
| 3-point hitch | Category I | Category I | Category I |
| Tires | 4.10 / 3.50 - 4 | 4.10 / 3.50 - 4 | 4.10 / 3.50 - 4 |
| Spindles | Cast iron, sealed | Cast iron, sealed | Cast iron, sealed |
| Front roller | 4" x 5-3/8" | 4" x 5-3/8" | 4" x 5-3/8" |
| Weight, approx. | 442 lb | 503 lb | 569 lb |

FINISHING MOWER - HEAVY-DUTY

FINISHING MOWER

PRODUCT OVERVIEW

Built for mowing parks, lawns and sports fields

15 to 55 hp required

FEATURES

Spring-loaded, self-tensioning belt adjustment

Two gates hi-power, raw edge, rubber V-belts

Independent axle beams

Quick Hitch compatible

OPTIONS

Solid rubber tires

Rear safety chain

AVAILABLE COLORS



*Red is the standard color.



FINISHING MOWER

HEAVY-DUTY MODELS 555, 655, 755



HARD SURFACED BLADES

Each mower features three high-speed blades with one of the highest rated tip-speeds in the industry. This creates powerful suction that lifts the grass for a crisp cut. A blade overlap of 1-5/8" to 2-5/8" prevents stripping and ensures the lawn is mowed evenly.

Model 555 - 5' (1.5 m) cutting width, 3-point hitch Category I
For tractors 15 - 55 hp

Model 655 - 6' (1.8 m) cutting width, 3-point hitch Category I
For tractors 20 - 55 hp

Model 755 - 7' (2.1 m) cutting width, 3-point hitch Category I
For tractors 25 - 55 hp





THE FARM KING HD FINISHING MOWER SERIES WAS DESIGNED TO PROVIDE A CLOSE, GROOMED FINISH ON ROUGH, UNEVEN TERRAIN.

Manufactured with top quality material, the mower deck features solid reinforcing plates which are found beneath the deck at all spindle and axle mounting locations. Additionally the hard-surfaced blades and heavy-duty spindles prepare the Farm King Finishing Mower for any job.

These finishing mowers are Quick Hitch compatible and are available in widths ranging from 60" to 84".

[1] Independent axle beams. **[2]** An optional chain kit minimizes the possibility of flying debris. **[3]** Two gates, hi-power, raw edge, rubber V-belts with spring loaded idler. **[4]** Steel gearbox cover.



STANDARD EQUIPMENT

- UHMW poly roller
- Hard surfaced blades
- Heavy-duty spindles
- 13 / 500 x 6 4-ply pneumatic tires

OPTIONAL EQUIPMENT

- PTO shaft, heavy-duty
- Solid rubber tires
- Chain kit

SPECIFICATIONS

| MODEL | 555 | 655 | 755 |
|---------------------|------------------------------|------------------------------|------------------------------|
| Cutting width | 60" | 72" | 84" |
| Cutting height | 1-1/2" to 5-1/2" | 1-1/2" to 5-1/2" | 1-1/2" to 5-1/2" |
| Blade tip speed | 15,829 ft/min | 18,737 ft/min | 18,552 ft/min |
| Blades | 3 | 3 | 3 |
| Blade material | 1/4" x 2-1/4" Hard surfacing | 1/4" x 2-1/4" Hard surfacing | 1/4" x 2-1/4" Hard surfacing |
| Blade length | 21-3/4" | 25-3/4" | 29-3/4" |
| Blade overlap | 2-5/8" | 2-5/8" | 2-5/8" |
| Blade drive | 2-rubber | 2-rubber | 2-rubber |
| Deck material | 7 gauge | 7 gauge | 7 gauge |
| Gearbox | Closed (540 RPM) | Closed (540 RPM) | Closed (540 RPM) |
| Gearbox ratio | 1 : 1.93 | 1 : 1.93 | 1 : 1.93 |
| Tractor requirement | 15 - 55 hp | 20 - 55 hp | 25 - 55 hp |
| 3-point hitch | Category I | Category I | Category I |
| Tires | 13 / 500 x 6 4-ply | 13 / 500 x 6 4-ply | 13 / 500 x 6 4-ply |
| Spindles | Cast iron, sealed | Cast iron, sealed | Cast iron, sealed |
| Front roller | 4" x 6-15/16" | 4" x 6-15/16" | 4" x 6-15/16" |
| Weight, approx. | 627 lb | 697 lb | 780 lb |

TRIPLEX FINISHING MOWER

TRIPLEX

PRODUCT OVERVIEW

Industry heavyweight combines impressive tip speed with class leading blade and deck overlap

FEATURES

Slide adjustment on the gearbox for easy belt tensioning

Blade overlap of 1-5/8" to 2-5/8" minimizes stripping

Hard surface cutting edges are standard on all models

Hydraulic lift kit

Mower Chain Kits

AVAILABLE COLOURS



TRIPLEX

Models 450, 550, 650, 750

TRANSPORT

The TripleX is designed to transport with ease. A cast clevis hitch is standard and a 2-5/16" ball hitch is optional for road transport. The 5-position hitch adjustment makes it easy to move, regardless of the hitch height of the tow vehicle. The decks are lifted into position by hydraulic cylinders and are automatically locked in place for transport.

ROLLER BEARINGS

Tapered roller bearings in the wheel hubs ensure long-term reliability without needing frequent lubrication. The standard front UHMW roller prevents scalping on uneven turf.

BLADE OVERLAP

Custom engineered overlap negates stripping, especially when turning, to provide a consistent, pristine finished cut.

YOKE DESIGN

A forgiving yoke design creates the ability to follow the terrain, yet maintain a seamless finish, available on models 550 and 650.

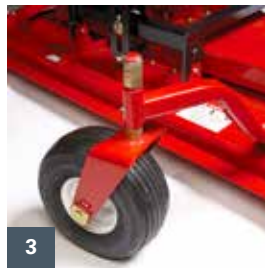
Farm King



UNRIVALED PERFORMANCE. TRIPLEX

Three finishing mowers combine to create one magnificent volume grass trimmer: the TripleX. Nine blades generate a powerful vacuum for a crisp, clean cut. Each deck floats independently over rolling terrain for a uniform, manicured trim.

[1] Heavy-duty deck and structural supports have solid reinforcing rods around the edges. **[2]** Adjustable poly roller to prevent scalping. **[3]** Each wheel assembly includes a cutting height adjustment on the 1-1/4 inch wheel yoke shaft. **[4]** Transport position.



SPECIFICATIONS

| MODEL | 450 | 550 | 650 | 750 |
|--|---|----------------------------|----------------------------|----------------------------|
| Cutting width | 11' (3.35 m) | 13.6' (4.15 m) | 16' (4.88 m) | 19.9' (6.07 m) |
| Transportation width bottom / top, approx. | 84" / 90" | 86" / 100" | 86" / 102" | 79" / 102" |
| Transportation height / length, approx. | 80" / 13' | 84-1/2" / 15' 9" | 103" / 16'3" | 121-1/2" / 16' 9" |
| Recommended horsepower | 35 hp | 40 hp | 45 hp | 50 hp |
| Wing frame | 2" x 3" x 1/4" wall tube | 2" x 3" x 1/4" wall tube | 2" x 3" x 1/4" wall tube | 2" x 3" x 1/4" wall tube |
| Wing flex* | 30° up 17° down | 35° up 16° down | 30° up 11° down | 30° up 11° down |
| Deck overlap | 5" | 8.5" | 8" | 8" |
| Gear box rating at 540 RPM | 66 horsepower - divider box / 30 horsepower - wing boxes | | | |
| Hitch type | Cast clevis - standard, 2 5/16" (2 5/16" ball hitch - Optional) | | | |
| Driveline main / wings | Series 4-80° CV / series 2 | Series 6-80° CV / series 2 | Series 6-80° CV / series 2 | Series 6-80° CV / series 2 |
| Deck width / thickness | 4' / 10 Ga. | 5' / 7 Ga. | 6' / 7 Ga. | 7' / 7 Ga. |
| Deck tires | 8 (15" x 6" x 6") | 10 (15" x 6" x 6") | 10 (15" x 6" x 6") | 12 (15" x 6" x 6") |
| Main frame tire | 2 (27" x 10-1/2" x 15") | 2 (27" x 10-1/2" x 15") | 2 (27" x 10-1/2" x 15") | 2 (27" x 10-1/2" x 15") |
| Blades per deck / overlap | 3 blades / 1-5/8" | 3 blades / 2-5/8" | 3 blades / 2-5/8" | 3 blades / 2-5/8" |
| Blade tip speed | 15,485 ft/min | 15,829 ft/min | 18,737 ft/min | 18,552 ft/min |
| Cutting height | 1-1/2" to 4-1/2" | 1-1/2" to 4-1/2" | 1-1/2" to 4-1/2" | 1-1/2" to 4-1/2" |
| Mower drive system | 2 belt B groove | 2 belt B groove | 2 belt B groove | 2 belt B groove |
| Front roller | 4" x 7" UHMW Poly | 4" x 7" UHMW Poly | 4" x 7" UHMW Poly | 4" x 7" UHMW Poly |
| Weight | 3347 lb | 3919 lb | 4349 lb | 4633 lb |

* Not recommended for operation greater than 30°, actual measurement based on mower deck flex.

FLEX-WING ROTARY CUTTER

ROTARY CUTTER

PRODUCT OVERVIEW

Commercially designed for roadside cutting, deep ditches, pastures, uneven farm lands, right of ways, and left over crop residue

FEATURES

4" cutting capacity

Heat-treated blades

Industry leading 7" blade overlap

5 year warranty on gearbox

Gearbox hp: splitter / wings 250 hp / 190 hp

AVAILABLE COLORS



FLEX-WING ROTARY CUTTER

MODEL 1530

DECKS

The decks on this heavy-duty cutter are manufactured using 7 gauge steel. A deck protection ring minimizes stress on the deck while the stump jumper protects the mower deck and allows the assembly to glide over uneven terrain. The streamline deck design maintains strength and prevents buildup. Standard equipment such as a single chain guard attached to the entire deck limits the possibility of flying debris.

SUSPENSION

The suspension on the Farm King 1530 individually isolates each wheel assembly from the machine, reducing road vibration and terrain roughness. This provides a smoother ride and reduces shock stress on the frame, axle and driveline leading to a close, consistent finished cut.

CUTTING CAPACITY

A 4" cutting capacity combined with our high blade tip speed allow our cutter to easily handle left over crop residue, pastures and extreme brush in any cutting application.

HEAT-TREATED BLADES

Each blade is heat-treated to enhance rigidity and is designed with an industry-leading 7" overlap to consistently achieve a close finished cut, no matter the terrain. The access panel located on the deck makes it easy to inspect, clean or replace the blades if necessary. The blades also have an industry-leading 7" overlap to make sure you get the best cut the first time.



THE 1530 HEAVY DUTY FLEX WING CUTTER IS IDEAL FOR THOSE PROJECTS THAT REQUIRE A RUGGED MACHINE BUILT TO WITHSTAND TOUGH CUTTING JOBS.

With a class-leading 7" blade overlap for a thorough cut and a working range of +/- 25°, this machine is ideal for cutting deep grassy ditches, uneven terrain, right of ways and trenches.

[1] Decks are manufactured using 7 gauge steel **[2]** The suspension individually isolates each wheel assembly from the machine, reducing road vibration and terrain roughness **[3]** Heat-treated blades for enhanced rigidity **[4]** 96" transport width



SPECIFICATIONS

MODEL

1530

| | | |
|------------------------------|--|----------------------------|
| Width, working / overall | 186 in (4.7 m) / 194 in (4.9 m) | |
| Transport, width / height | 96 in (2.4 m) / 92 in (2.3 m) | |
| Working range | +/- 25° | |
| Cutting height | 2 to 15 in (51 to 381 mm) | |
| Cutting Capacity | 4" (101.6 mm) | |
| Weight | 5900 lb (2676 kg) | |
| Tongue weight | 2100 lb (953 kg) | |
| Tractor hp requirement, min. | 65 hp | |
| Gearbox hp: splitter / wings | 250 hp / 190 hp | |
| Gearbox speed | 540 RPM | 1000 RPM |
| Wing blade tip speed | 16,481 ft/min (5023 m/min) | 16,737 ft/min (5101 m/min) |
| Center blade tip speed | 16,197 ft/min (4937 m/min) | 15,802 ft/min (4816 m/min) |
| Blade overlap | 7 in (177 mm) | |
| Blade | 0.5 x 4, Uplift | |
| Stump jumper | Symmetric die pressed (7 Ga.) | |
| Deck material thickness | 0.179 in (7 Ga) (4.5 mm) | |
| Side skirt thickness | 0.25 in (6.4 mm) | |
| Side skid | Reversible and replaceable | |
| Suspension | Independent rubber-isolated wheel assemblies | |
| Hitch | Double swivel clevis hitch | |
| Tires | (6 in or 8 in.); 24 x 7.7 x 10 aircraft tires (air filled) or 21 in. laminated wheels (solid rubber) | |

10.5' FLEX-WING ROTARY CUTTER

ROTARY CUTTER

PRODUCT OVERVIEW

Excellent choice for agricultural, state/provincial or municipal mowing applications

Heavy Duty / Commercial

FEATURES

4" cutting capacity

Smooth top deck

Industry leading 7" blade overlap

5 year warranty on gearbox

Gearbox hp: splitter / wings 250 hp / 190 hp

AVAILABLE COLORS



10.5' FLEX-WING ROTARY CUTTER

MODEL 1030

GEARBOX

The heavy duty gearboxes ensure that the machine is robust enough to handle the loads required without burning out the gearbox assemblies. A five year warranty provides further peace of mind in this regard.

INDEPENDENT WHEEL ASSEMBLY SUSPENSION

Independent wheel suspension enables the mower deck to float with the contours of the land providing a close, finished cut. Combining this with the flex wing floating nature allows Farm King to offer a machine that can handle a huge variety of field and ditch conditions.

BLADE TIP SPEED

A high blade tip speed, combined with an industry leading 7" blade overlap allows for a consistent, close cut and enables the Flex Wing to achieve a 4" diameter cutting capacity with ease.

4" CUTTING CAPACITY

A 4" cutting capacity provides a very heavy duty cutter that can handle extreme brush as it's cutting.

SMOOTH TOP DECK

This enables material and moisture to fall off and keeps the top deck clean improving longevity of the cutter deck.



THIS IS A HEAVY DUTY ROTARY CUTTER BASED VERY CLOSELY ON OUR 15' FLEX WING ROTARY CUTTER.

The 1030 (10.5') Heavy Duty Flex Wing Cutter has been designed with the same toughness for difficult jobs as the larger 1530 Flex Wing. Make short work of your pastures & roadsides.

The 10.5' (1030) has a splitter gearbox rated at 250 hp and wing gearboxes rated at 190 hp.

This machine is rated for a 4" diameter cutting capacity making it one of the toughest on the market.



[1] 250 splitter with 190 HP Gearbox **[2]** Independent wheel assembly suspension **[3]** Industry leading blade tip speeds **[4]** Smooth top deck.

SPECIFICATIONS

MODEL

1030

| | | |
|------------------------------|--|----------------------------|
| Transport width | 82 in (2.1 m) | |
| Transport height | 93 in (2.4 m) | |
| Overall length | 230 in (5842 mm) | |
| Transport deck height | 13.5 in (343 mm) | |
| Cutting height | 2-15 in (51-381 mm) | |
| Cutting Capacity | 4" (101.6 mm) | |
| Weight | 5200 lb (2359 kg) | |
| Tongue weight | 2100 lb (953 kg) | |
| Tractor hp requirement, min. | 65 hp | |
| Gearbox speed | 540 RPM | 1000 RPM |
| Wing blade tip speed | 16,481 ft/min (5023 m/min) | 16,737 ft/min (5101 m/min) |
| Center blade tip speed | 16,197 ft/min (4937 m/min) | 15,802 ft/min (4816 m/min) |
| Blade overlap | 7 in (177 mm) | |
| Blade | 0.5 x 4, Uplift | |
| Stump jumper | Symmetric die pressed (7 Ga.) | |
| Deck Material Thickness | 0.179" (7 Ga.) (4.5mm) | |
| Side skid | Reversible and replaceable | |
| Suspension | Independent rubber-isolated wheel assemblies | |
| Hitch | Double swivel clevis hitch | |
| Tires | (6 in or 8 in.): 24 x 7.7 x 10 aircraft tires (air filled) or 21 in. laminated wheels (solid rubber) | |

TWIN SPINDLE ROTARY CUTTERS

ROTARY CUTTER

PRODUCT OVERVIEW

Extremely robust and cost efficient

Minimum 40 HP tractor requirements

FEATURES

2" cutting capacity

Solid 10 gauge deck with 7 gauge side skirts

High blade tip speed

5 year warranty on gearbox

Standard: replaceable skid shoes, chain guards, stump jumper

AVAILABLE COLORS



TWIN SPINDLE ROTARY CUTTERS

MODELS 820, 1020

GEARBOX

Robust 120 and 90 HP gearbox for the Twin Spindle Rotary Cutter will hold up to extreme use. In addition, the gearboxes have a 5 year (limited) warranty giving reassurance that these machines will be working hard for years.

SLIP CLUTCH

The slip clutch mechanism allows the cutter to get past obstacle and continue cutting when an obstacle is hit. This feature also prevents damage to the gears inside the gearbox and other internal parts.

FLAT TOP DECK

Aesthetically pleasing - the smooth deck allows water or material to easily blow off of the machine without fear of hang up.

2" CUTTING CAPACITY

A 2" cutting capacity provides a commercial cutter that can handle extreme brush as it's cutting.

Farm King



OLD FASHIONED TOUGH. FARM KING TWIN SPINDLE ROTARY CUTTERS ARE ROBUSTLY DESIGNED TO OVERCOME YOUR TOUGHEST JOBS

A clean top design that boasts a strong 120 and 90 HP gearbox both with a 5 year warranty. This machine is ready to work with standard safety chains, standard stump jumper and replaceable skid shoes. Extremely high blade tip speeds and a 2" cutting capacity makes this a very effective machine that can take the abuse and keep working hard.



[1] 120 and 90 HP gearbox **[2]** Standard chain shielding, stump jumper and replaceable front skids **[3]** 21 inch laminated solid rubber wheels **[4]** Flat top deck.

| MODEL | 820 | 820 | 1020 | 1020 | 1020 |
|-------------------------------|-------------------------------|-------------------------|--------------------------------|--------------------------------|--------------------------------|
| TYPE | 3-POINT | PULL TYPE | 3-POINT | PULL TYPE | SEMI MOUNT |
| Overall width | 102.5 in (3060.7 mm) | | 126.5 in (3213.1 mm) | | |
| Overall length | 95.75 in (2432. mm) | 128.25 in (3258 mm) | 110.75 in (2813 mm) | 152.8 in (3881 mm) | 114.95 in (2920 mm) |
| Transport deck height | 9 in (228.6 mm) | 10 in (254 mm) | 10 in (254 mm) | 10 in (254 mm) | 18 in (457 mm) |
| Cutting height | 2 - 11 in (51 - 279 mm) | 2 - 12 in (51 - 305 mm) | 2 - 12 in (50.8 mm - 304.8 mm) | 2 - 12 in (50.8 mm - 304.8 mm) | 2 - 12 in (50.8 mm - 304.8 mm) |
| Cutting Capacity | 2 in (50.8 mm) | 2 in (50.8 mm) | 2 in (50.8 mm) | 2 in (50.8 mm) | 2 in (50.8 mm) |
| Weight | 1550 lb (704 kg) | 1640 lb (745 kg) | 2,150 lbs (975 kg) | 2,225 lbs (1009 kg) | 2,200lbs (998 kg) |
| Tractor HP requirement | 40 hp | | 50 hp | | |
| Blade tip speed | 16,126 ft/min (8192 m/sec) | | 16,390 ft/min | | |
| Blade overlap | 4 in (177 mm) | | | | |
| Blade | 0.5 x 4, Reversible | | 0.5 x 4 Uplift | | |
| Deck Material Thickness | 0.135 in (10 Ga) 3.4 mm | | | | |
| Side Skirt Material Thickness | 0.179 in (7 Ga) (4.5mm) | | | | |
| Stump jumper | Symmetric die pressed (7 Ga.) | | | | |
| Side skid | Replaceable | | | | |
| Hitch | Cat I / II 3-Point | Swivel Clevis | Cat II / III 3-Point | Swivel Clevis | Cat II / III 3-Point |

ROTARY CUTTER

ROTARY CUTTER

PRODUCT OVERVIEW

Built to clear rough areas where stones, tree stumps and debris are hidden by weeds

Category I & II

20 to 75 hp required

FEATURES

The stump-jumper is standard on Series II

15" laminated 3-point tire

OPTIONS

Chain Kit Optional on Series I

AVAILABLE COLORS



ROTARY CUTTER

SERIES I AND II



FEATURES

- » Include a single 15" laminated trailing wheel.
- » The access panel on the deck makes it easy to replace the blades.
- » The Series II rotary cutters are equipped with a slip clutch to prevent gearbox damage.
- » Chain kit minimizes the possibility of flying debris.
- » A 24" stump jumper is standard on Series II protecting the blade on uneven terrain.

SERIES I

Model 418 - 48" (1.2 m) cutting width, 3-pt hitch Cat. I
For tractors 20 - 55 hp

Model 518 - 60" (1.5 m) cutting width, 3-pt hitch Cat. I
For tractors 20 - 55 hp

SERIES II

Model 528 - 60" (1.5 m) cutting width, 3-pt hitch Cat. I
For tractors 30 - 65 hp

Model 628 - 72" (1.8 m) cutting width, 3-pt hitch Cat. II
For tractors 30 - 65 hp

Model 728 - 84" (2.1 m) cutting width, 3-pt hitch Cat. II
For tractors 35 - 65 hp

FARM KING ROTARY CUTTERS ARE ENGINEERED TO CLEAR ROUGH AREAS WITH EASE, WHILE REQUIRING MINIMAL MAINTENANCE.

Series I, with a 3-point hitch, is available in 48" or 60" widths.

Series II is available in widths of 60", 72" and 84".

[1] Chain kit minimizes the possibility of flying debris. **[2]** 3-point hitch models include a single 15" laminated trailing wheel. **[3]** The stump-jumper minimizes stress on the deck and gearbox.



Farm King

| SERIES | I | I | II | II | II |
|--------------------------|------------------------|------------------------|------------------------|------------------------|--|
| MODEL | 418 | 518 | 528 | 628 | 728 |
| Cutting width | 48" | 60" | 60" | 72" | 84" |
| Cutting height | 2" - 12" Setting | 2" - 12" Setting | 2" - 12" Setting | 2" - 12" Setting | 2" - 12" Setting |
| Blade tip speed | 13,098 ft/min | 12,721 ft/min | 16, 371 ft/min | 14, 861 ft/min | 14, 369 ft/min |
| Spring steel blades | 1/2" x 3" heat treated | 1/2" x 3" heat treated | 1/2" x 3" heat treated | 1/2" x 3" heat treated | 1/2" x 3" heat treated |
| Deck material | 11 gauge | 11 gauge | 11 gauge | 10 gauge | 10 gauge |
| Gearbox | Closed (540 RPM) | Closed (540 RPM) | Closed (540 RPM) | Closed (540 RPM) | Closed (540 RPM) |
| Gearbox rating | 40 hp | 40 hp | 60 hp | 60 hp | 65 hp |
| Tractor requirement | 20 - 55 hp | 25 - 55 hp | 30 - 65 hp | 30 - 65 hp | 35 - 65 hp |
| PTO shaft | Shear pin | Shear pin | Slip clutch | Slip clutch | Slip clutch |
| 3-point hitch* | Category I | Category I | Category I | Category I & II | Category I & II |
| Tire - 3-point | 15" laminated | 15" laminated | 15" laminated | 15" laminated | 15" laminated |
| Tire / wheels - trailing | N/A | N/A | N/A | N/A | 15" rim included. Optional 15" Tire Kit avail. |
| Stump-jumper | N/A | N/A | 24" diameter | 24" diameter | 24" diameter |
| Parking jack | N/A | N/A | N/A | N/A | Included |
| Chain kit | Optional | Optional | Chain Kit Included | Chain Kit Included | Chain Kit Included |
| Weight - 3-point | 450 lb | 530 lb | 680 lb | 1037 lb | 1175 lb |
| Weight - trailing | N/A | N/A | N/A | N/A | 1476 lb |

ROTARY TILLER

ROTARY TILLER

PRODUCT OVERVIEW

Built for landscaping gardens, orchards, nurseries, hobby farms and homesteads

Category I, opt. fit Category II

12 - 65 hp required

FEATURES

Slip clutch

Automatic chain tightener enhances longevity

OPTIONS

4 tines per flange on 65 Series (6 standard)

AVAILABLE COLORS



*Red is the standard color.



ROTARY TILLER

SERIES 25, 45 AND 65



SIDE SHIFT

Getting close to fences, hedges or covering a tire track is easy with the side shift feature. The entire unit can be pushed to one side while the PTO shaft remains in line with the tractor. The 4560, 4572, 6572 tillers are capable of side shift allowing models to be moved 6" either left or right. The 6582 has a standard offset of 10" (non-adjustable).

FEATURES

- » The rotator tilling shaft is equipped with four to eight flanges, depending on the model.
- » Flanges on all series are available with four tines, and six tines per flange are standard on the 65 Series.
- » Housed in a sealed oil bath, the chain tightener assembly is resistant to heat, dust, debris and moisture, which reduces maintenance and enhances the longevity of the chain and sprockets.
- » Farm King Rotary Tillers come standard with a parking jack and height adjustable skid shoes.

SERIES 25

Model TL236 - 36" (0.9 m) tillage width, 3-point hitch
Category I. For tractors 12 - 18 hp

Model TL245 - 45" (1.1 m) tillage width, 3-point hitch
Category I. For tractors 14 - 22 hp

Model TL254 - 54" (1.4 m) tillage width, 3-point hitch
Category I. For tractors 18 - 25 hp

SERIES 45

Model 4560 - 55" (1.4 m) tillage width, 3-point hitch
Category I. For tractors 25 - 40 hp

Model 4572 - 69" (1.8 m) tillage width, 3-point hitch
Category I. For tractors 30 - 45 hp

SERIES 65

Model 6572 - 68" (1.7 m) tillage width, 3-point hitch
Category I / II. For tractors 45 - 55 hp

Model 6582 - 77" (2.0 m) tillage width, 3-point hitch
Category I / II. For tractors 55 - 65 hp



THE FARM KING ROTARY TILLER COLLECTION HAS THE SIZE YOU NEED TO MAKE THOSE GARDEN AND LANDSCAPING JOBS SEEM LESS CHALLENGING. BUILT TOUGH AND RUGGED TO PROVIDE YEARS OF WORRY FREE TILLING. PUT ONE TO WORK

The Farm King Rotary Tiller is designed to fit a variety of different tractors from 12 HP to 56 HP with tilling widths ranging from 36" to 77", there is a model for each and every job.

[1] Housed in a sealed oil bath, the chain tightener assembly is resistant to heat, dust, debris and moisture, which reduces maintenance and enhances the longevity of the chain and sprockets. **[2]** Flanges on all series are available with four tines. Six tines per flange are standard on the 65 Series. **[3]** The side shift feature is available on the 45 Series and model 6572.



| SERIES | 25 | 25 | 25 | 45 | 45 | 65 | 65 |
|----------------------------|-------------------------------|-------------------------------|-------------------------------|-------------------------------|-------------------------------|----------------------------------|----------------------------------|
| MODEL | 236 | 245 | 254 | 4560 | 4572 | 6572 | 6582 |
| Tillage width | 36" | 45" | 54" | 55" | 69" | 68" | 77" |
| Overall width | 46-1/2" | 54-1/2" | 66-1/2" | 66" | 78" | 78" | 88" |
| Tractor requirement | 12 - 18 hp | 14 - 22 hp | 18 - 25 hp | 25 - 40 hp | 30 - 45 hp | 45 - 55 hp | 55 - 65 hp |
| 3-point hitch | Category I | Category I | Category I | Category I | Category I | Category I, opt. fit Category II | Category I, opt. fit Category II |
| Gearbox | Heavy-duty oil bath (540 RPM) | Heavy-duty oil bath (540 RPM) | Heavy-duty oil bath (540 RPM) | Heavy-duty oil bath (540 RPM) | Heavy-duty oil bath (540 RPM) | Heavy-duty oil bath (540 RPM) | Heavy-duty oil bath (540 RPM) |
| Chain in oil bath | #80H | #80H | #80H | #80H | #80H | #100H | #100H |
| Rotor speed RPM | 239 RPM | 239 RPM | 239 RPM | 203 RPM or 865 ft/min | 203 RPM or 865 ft/min | 196 RPM or 880 ft/min | 196 RPM or 880 ft/min |
| Sideshift | n/a | n/a | n/a | 6-3/4" | 8-1/2" | 15" | n/a |
| PTO shaft | Slip clutch | Slip clutch, | Slip clutch | Slip clutch | Slip clutch | Slip clutch | Slip clutch |
| Tine size | 1/4" x 2-1/4" | 1/4" x 2-1/4" | 1/4" x 2-1/4" | 1/4" x 2-1/4" | 1/4" x 2-1/4" | 5/16" x 3-1/4" | 5/16" x 3-1/4" |
| No. of tines/No. of flange | 16/4 | 20/5 | 24/6 | 24/6 | 32/8 | 42/7 (opt. 28/4) | 48/8 (opt. 32/4) |
| No. of tines per flange | 4 | 4 | 4 | 4 | 4 | 6 (opt. 4) | 6 (opt. 4) |
| Skid shoes | Standard | Standard | Standard | Standard | Standard | Standard | Standard |
| Weight | 385 lb | 418 lb | 477 lb | 613 lb | 688 lb | 906 lb | 968 lb |



BOX SCRAPER

MODELS 484, 604, 725, 846

BOX SCRAPER

PRODUCT OVERVIEW

Built for landscaping, snow removal, construction

Category I

20 - 65 hp required

FEATURES

Two 1/2" x 6" replaceable blades

Heat treated scarifier shanks

AVAILABLE COLORS



*Red is the standard color.

Model 484 - 4' (1.2 m) width
For tractors 20 - 40 hp, Cat. I

Model 604 - 5' (1.5 m) width
For tractors 20 - 45 hp, Cat. I

Model 725 - 6' (1.8 m) width
For tractors 25 - 55 hp, Cat. I

Model 846 - 7' (2.1 m) width
For tractors 30 - 65 hp, Cat. I

TWO 1/2" X 6" REPLACEABLE, BACK TO BACK BLADES MAKE THIS BI-DIRECTIONAL SCRAPER EXTREMELY VERSATILE.

Featuring heat treated scarifier shanks that are easily adjusted for depth. The Farm King Box Scraper features a replaceable / reversible back to back cutting edge as well as replaceable / reversible scarifier shanks for use in forward or reverse.

- [1] The 1/2" x 6" cutting edges on the Farm King Box Scraper are reversible and replaceable.
- [2] 4-position scarifier shanks provides a variety of digging depths of up to 4".

SPECIFICATIONS

| MODEL | 484 | 604 | 725 | 846 |
|-------------------------|---------------------------|---------------------------|---------------------------|---------------------------|
| Width | 48" | 60" | 72" | 84" |
| Capacity (approximate) | 6 cu. ft. | 8 cu. ft. | 10 cu. ft. | 12 cu. ft. |
| Max. working depth | 4" | 4" | 4" | 4" |
| Reversible cutting edge | 1/2" x 6" replaceable | 1/2" x 6" replaceable | 1/2" x 6" replaceable | 1/2" x 6" replaceable |
| No. of cutting edges | 2 | 2 | 2 | 2 |
| Reversible shanks | 3/4" x 2-3/8" replaceable | 3/4" x 2-3/8" replaceable | 3/4" x 2-3/8" replaceable | 3/4" x 2-3/8" replaceable |
| No. of shanks | 4 | 4 | 5 | 6 |
| Shank tip width | 1" | 1" | 1" | 1" |
| 3-point hitch | Category I | Category I | Category I | Category I |
| Tractor requirements | 20 - 40 hp | 20 - 45 hp | 25 - 55 hp | 30 - 65 hp |
| Weight | 320 lb | 378 lb | 428 lb | 469 lb |



LANDSCAPING RAKE

MODELS 6030, 7236, 8442, 9648

LANDSCAPING RAKE

PRODUCT OVERVIEW

Built to spread and level soil, gravel, beaches and seed beds

Category I

20 - 65 hp required

FEATURES

5/16" x 1" spring-steel tines

Reversible for push or pull applications

OPTIONS

Optional gauge wheels

AVAILABLE COLORS



*Red is the standard color.

THE FARM KING LANDSCAPE RAKE IS IDEAL FOR SEEDBED PREPARATION AND TRASH REMOVAL FROM LONG GRASS, DIRT AND GRAVEL.

Five-positions of angle adjustment allow the operator to evenly distribute crushed rock or clumped soil. Models are available in 5' to 8' sizing with Quick Hitch compatibility. Tine spacing is ideal for clearing unwanted material, spreading and leveling crushed stone, maintaining beaches and recreational areas.

[1] Optional gauge wheels provide added stability and depth control.

[2] 1-inch wide, spring-steel tines clear off unwanted material and prepare an ideal seedbed ready to accept small seeds or sod.

SPECIFICATIONS

| MODEL | 6030 | 7236 | 8442 | 9648 |
|---------------------------|-------------------------|-------------------------|-------------------------|-------------------------|
| Width | 60" | 72" | 84" | 96" |
| Tines | 5/16" x 1" spring-steel | 5/16" x 1" spring-steel | 5/16" x 1" spring-steel | 5/16" x 1" spring-steel |
| Gauge wheels | Optional | Optional | Optional | Optional |
| Wheel material | Solid rubber tire | Solid rubber tire | Solid rubber tire | Solid rubber tire |
| Angle adjustment, forward | 3-position | 3-position | 3-position | 3-position |
| Angle adjustment, reverse | 2-position | 2-position | 2-position | 2-position |
| Angle increments | 20° | 20° | 20° | 20° |
| 3-point hitch | Category I | Category I | Category I | Category I |
| Parking stand | Standard | Standard | Standard | Standard |
| Tractor requirements | 20 - 40 hp | 20 - 45 hp | 25 - 55 hp | 30 - 65 hp |
| Weight | 134 lb | 187 lb | 199 lb | 331 lb |

Model 6030 - 5' (1.5 m) width
For tractors 20 - 40 hp, Cat. I

Model 7236 - 6' (1.8 m) width
For tractors 20 - 45 hp, Cat. I

Model 8442 - 7' (2.1 m) width
For tractors 25 - 55 hp, Cat. I

Model 9648 - 8' (2.4 m) width
For tractors 30 - 65 hp, Cat. I

GRADING SCRAPER

GRADING SCRAPER

PRODUCT OVERVIEW

Easily adjusted for depth with skid shoe carriage bolts and slots

5.75° blade angle

18" blade spacing

Hitch Category I & II

FEATURES

Six time heat treated scarifier shanks

Bevelled & reversible scraper blades

Quick hitch compatible

AVAILABLE COLORS



*Red is the standard color.



GRADING SCRAPER

MODELS GS60 / GS72 / GS84



ADJUSTABLE FEATURES

The Grading Scraper provides adjustable features for operator convenience.

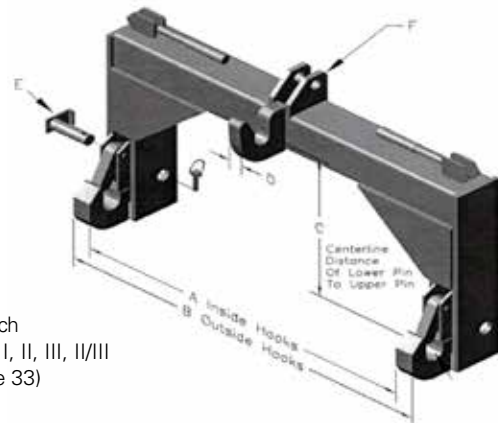
The heat treated scarifier shanks include four positional settings allowing for depth control in soil tillage and scraping material. Further depth control can be effortlessly achieved by adjusting the carriage bolt settings on the full length skid shoes. To ensure cost effectiveness, the grading scraper blades have been designed to be fully reversible. This allows the scraping blades to wear evenly, providing level material placement while promoting blade longevity.

Farm King offers model working widths of 60", 72" and 84" to match your tractor' HP requirements. Five color

schemes are also offered as options to choose from.

QUICK HITCH COMPATIBILITY

The Quick Hitch compatibility also allows for further improved versatility and functionality.



Quick Hitch
Category I, II, III, II/III
(See page 33)



THE FARM KING GRADING SCRAPER HAS BEEN BUILT WITH TOUGHNESS AND DURABILITY IN MIND.

For those leveling jobs that require hardened steel that won't bend or break; this is the implement for you. Easily adjustable heat treated steel shanks tear into the toughest of soil. Specifically designed to provide a smooth finish, beveled and reversible grader blades allow for even material distribution.

[1] Adjustable scarifier shanks **[2]** Replaceable and reversible leveling blades **[3]** Skid shoe adjustments for depth control **[4]** Heavy duty 3 Pt hitch



SPECIFICATIONS

| MODEL | GS60 | GS72 | GS84 |
|-----------------------|--|--|--|
| Weight | 534 lbs | 590 lbs | 648 lbs |
| Working width | 60" | 72" | 84" |
| Overall width | 66 " | 78" | 90" |
| Overall Length | 49" | 49" | 49" |
| Box height | 16" | 16" | 16" |
| Hitch category | Cat. 1 & 2 | Cat. 1 & 2 | Cat. 1 & 2 |
| Number of shanks | 4 | 5 | 6 |
| Cutting edge material | 0.5 x 6 Beveled, Reversible | 0.5 x 6 Beveled, Reversible | 0.5 x 6 Beveled, Reversible |
| Shank adjustment | -1.5", -0.5", +0.5", +3.0" From Bottom of Blade Edge | -1.5", -0.5", +0.5", +3.0" From Bottom of Blade Edge | -1.5", -0.5", +0.5", +3.0" From Bottom of Blade Edge |
| Skid shoe adjustment | 1.5" Below Grade to 0.5" Above | 1.5" Below Grade to 0.5" Above | 1.5" Below Grade to 0.5" Above |
| Lower hitch design | Clevis | Clevis | Clevis |
| Tractor HP | 20-55 hp | 25-55 hp | 30-65 hp |
| Blade angle | 5.75° | 5.75° | 5.75° |

DRAG HARROW



DRAG HARROW

MODELS 80, 1002, 1003

DRAG HARROW

PRODUCT OVERVIEW

Ideal for landscaping, freshening horse paddocks and pastures

Category I

18 - 65 hp required

FEATURES

80" and 100" bars accept any combination of 40" and 60" harrow sections.

Maximum ground coverage of 10'

Heavy-duty chains provide an even pull and can be adjusted for height.

AVAILABLE COLORS



*Red is the standard color.

Model 80 - 80" (2.0 m) width
For tractors 18 - 50 hp, Cat. I

Model 1002 - 100" (2.5 m) width
For tractors 20 - 65 hp, Cat. I

Model 1003 - 120" (3.0 m) width
For tractors 20 - 65 hp, Cat. I

TWO AVAILABLE SIZES OF HARROW IN 40" AND 60" MAKE ANY LARGE JOB FEEL SMALL.

The Farm King drag harrow provides impressive versatility in leveling driveways, gravel parking lots, weeding out tilled soil and removing embedded trash from gravel and soils. The stirring motion of the harrow aerates and prepares top quality seed bed for grass, saplings and other various foliage. Reinforced adjustable chain clamps make the harrow easy to adjust for desired soil penetration and better ground clearance during transport.

[1] The rigid construction allows for the filling of potholes while the floating assembly follows the contour of the ground. **[2]** The chain height can be adjusted to the desired depth.

SPECIFICATIONS

| MODEL | 80 | 1002 | 1003 |
|----------------------|------------|-------------|------------|
| Width | 80" | 100" | 120" |
| Frame tubing | 4" x 4" | 4" x 4" | 4" x 4" |
| Harrow sections | 2 - 40" | 40" and 60" | 3 - 40" |
| Teeth | 5/8" | 5/8" | 5/8" |
| Chain height | Adjustable | Adjustable | Adjustable |
| 3-point hitch | Category I | Category I | Category I |
| Tractor requirements | 18 - 50 hp | 20 - 65 hp | 20 - 65 hp |
| Weight | 308 lb | 361 lb | 413 lb |



DISC

MODELS 505, 605, 705, 805

DISC

PRODUCT OVERVIEW

Built for landscaping, nurseries and homesteads

Category I

20 - 65 hp required

FEATURES

2" x 3" x 1/4" wall tubing

Each gang can be positioned at five different angles

OPTIONS

Scraper Kit

Center Sweep

AVAILABLE COLORS



*Red is the standard color.

FARM KINGS DISCS ARE HEAVILY CONSTRUCTED TO ENHANCE DURABILITY IN MULTIPLE APPLICATIONS.

Specializing in seedbed preparation, the Farm King disc penetrates crusty, hard packed soil and rejuvenates it for easy seed application. Hardened steel discs help churn the soil to reveal a nutrient rich layer and deeper rich soil texture. Notched and smooth blades are available in any combination. Each Farm King disc is Quick Hitch compatible.

[1] The optional scraper kit keeps discs free of clinging soil. **[2]** The optional center sweep prevents the buildup of material between the gangs.

Model 505 - 66" (1.7 m) width
For tractors 20 - 40 hp, Cat. I

Model 605 - 78" (2.0 m) width
For tractors 25 - 50 hp, Cat. I

Model 705 - 90" (2.3 m) width
For tractors 30 - 60 hp, Cat. I

Model 805 - 102" (2.6 m) width
For tractors 30 - 65 hp, Cat. I

SPECIFICATIONS

| MODEL | 505 | 605 | 705 | 805 |
|----------------------|--------------------------|--------------------------|--------------------------|--------------------------|
| Width | 5-1/2' | 6-1/2' | 7-1/2' | 8-1/2' |
| Frame | 2" x 3" x 1/4" wall tube | 2" x 3" x 1/4" wall tube | 2" x 3" x 1/4" wall tube | 2" x 3" x 1/4" wall tube |
| Discs | 16 | 20 | 24 | 28 |
| Disc diameter | 18" | 18" | 20" | 20" |
| Disc spacing | 7-1/2" | 7-1/2" | 7-1/2" | 7-1/2" |
| Scraper kit | Optional | Optional | Optional | Optional |
| Center sweep | Optional | Optional | Optional | Optional |
| 3-point hitch | Category I | Category I | Category I | Category I |
| Tractor requirements | 20 - 40 hp | 25 - 50 hp | 30 - 60 hp | 30 - 65 hp |
| Weight | 649 lb | 732 lb | 899 lb | 1084 lb |



CULTIVATOR

MODELS 609, 7211, 8413

CULTIVATOR

PRODUCT OVERVIEW

Built for nurseries, seedbed preparation and soil aeration

Category I

15 - 40 hp required

FEATURES

2" x 2" x .250" wall tubing

Tine point are reversible and replaceable.

OPTIONS

Optional gauge wheels and 7" sweeps

AVAILABLE COLORS



*Red is the standard color.

SUPERIOR SOIL PENETRATION PROVIDED WITH EVERY PASS.

This cultivator is designed to provide the operator optimal depth control and even soil distribution. Heavy-duty gauge wheels and a rigid design allow the cultivator to remain stable while digging deep into the soil. Shanks are easily adjustable with a single bolt space adjustment clamp, and spaced to allow for uniform soil distribution and minimal nutrient loss. Category I 3-point hitch; all models are Quick Hitch compatible and features single bolt spacing adjustment.

[1] Attached to solid 2" x 2" frame are forged steel S tines. The tine tips are outfitted with hardened steel reversible points. **[2]** All models are Quick Hitch compatible.

SPECIFICATIONS

| MODEL | 609 | 7211 | 8413 |
|----------------------|----------------------------------|----------------------------------|----------------------------------|
| Width | 60" | 72" | 84" |
| Frame | 2" x 2" x .250 wall tubing | 2" x 2" x .250 wall tubing | 2" x 2" x .250 wall tubing |
| Tines | Forged steel w/reversible points | Forged steel w/reversible points | Forged steel w/reversible points |
| Number of "S" tines | 9 | 11 | 13 |
| Gauge wheels | Optional | Optional | Optional |
| 7" sweeps | Optional | Optional | Optional |
| 3-point hitch | Category I | Category I | Category I |
| Tractor requirements | 15 - 30 hp | 20 - 35 hp | 20 - 40 hp |
| Weight | 190 lb | 215 lb | 243 lb |



POST-HOLE DIGGER

MODELS 150, 160, 205, 210

POST-HOLE DIGGER

PRODUCT OVERVIEW

Shear-bolt protected and shielded PTO driveline

Category 0, I, II

14 hp and greater required

FEATURES

3-position boom adjustment on models 150, 160, 205

Heavy-duty tubular steel stock on the yoke and booms of all PTO-driven units

OPTIONS

Optional down force kit for 350-500 lb extra pressure when digging conditions get tough

AVAILABLE COLORS



*Red is the standard color.

THE FARM KING POST HOLE DIGGER UTILIZES AN IMPRESSIVE DESIGN TO DIG DEEP INTO THE HARDEST COMPACT SOIL IN ANY REGION.

The auger and PTO assembly are held together using heavy-duty tubular steel stock that allows the post hole digger to remain stable under the most grueling conditions. Simply attach the post-hole digger to any three point hitch assembly or skid steer mount, hook up hydraulic lines and the digger is ready for use.

[1] Choose from 6" to 30", single and double flighted augers with optional 12" auger extensions (with guards) and special fishtail auger center points.

SPECIFICATIONS

| MODEL | 150 | 160 | 205 | 210 |
|--|-------------|------------|------------|------------|
| Main frame (O.D. size of steel tubing) | - | 3" | 3-1/2" | 3-1/2" |
| Gear ratio | 3:1 | 3:1 | 3.18:1 | 4.1:1 |
| Boom positions | 3 | 3 | 3 | 1 |
| Hitch size | Cat. 0 | Cat. I/II | Cat. I/II | Cat. I/II |
| Down force kit | Optional | Optional | Optional | Optional |
| Output shaft | 2" | 2" | 2" | 2" |
| Weight | 149 lb | 160 lb | 206 lb | 210 lb |
| Tractor Requirement | up to 25 hp | 20 - 35 hp | 25 - 65 hp | 35 - 95 hp |

POST DRIVER

POST DRIVER

PRODUCT OVERVIEW

Built for fast, easy fence post installation

Category I and II

100,000 lb at full impact

FEATURES

Self-contained hydraulic system

Full hydraulic controls

Welded, tubular steel construction

OPTIONS

Mast Extension Kit

Hydraulic extendable hitch (model 2400)



POST DRIVER

MODELS 1450 AND 2400



MODEL 2400 - ENGINE AND PTO DRIVE

[1] A sturdy in / out slide mechanism that allows 0–16" of movement for ease of adjustment to fence line. A heavy-duty cross axle tube reinforces both wheel legs and undercarriage. A large in frame weight box allows required ballasting of the post driver for stable operation.

[2] The Engine driven model is equipped with a 9 hp gasoline engine and utilizes a direct mounted hydraulic pump which eliminates the need for belts or pulleys.

HYDRAULIC CONTROLS

[3] Fingertip hydraulic controls are standard and allow for smooth 4-way tilt, in/out slide and hammer up/down.

DRIVE

[4] Self-contained hydraulics eliminates possible oil contamination between power unit and post driver. All models are equipped with oversized hydraulic pumps which allows full operation at reduced rpm.

HAMMER

A large 9" x 14" hammer face is wider for easier line up and provides greater width for pounding on the opposite side of the wire. This eliminates the need to drive around existing fence line. A 12" welded hammer mast track provides for smooth guided hammer operation. No internal pads or shims to adjust or maintain. A 62" cylinder stroke, combined with a 1-5/8" diameter cylinder bore, ensures a fast acting downward force.



THE FARM KING 3-POINT POST DRIVER WORKS WITH YOUR TRACTOR OR SKID-STEER FOR EFFICIENT EFFORTLESS POST DRIVING.

Built to be fast, powerful, durable, and maneuverable, Farm King 3-Point post drivers are ideal for use on the jobsite or on the farm.

Farm King 2400 trailered post drivers makes work easy. Available in a PTO or 9 hp engine models, Farm King post driver trailers can work with a tractor or behind a pick-up truck. Designed to be maneuverable and durable Farm King post drivers are perfect for farmers, ranchers, and contractors.

MODEL 1450 - 3-POINT HITCH STANDARD EQUIPMENT

- Category I and II 3-point hitch
- Optional skid steer Quick-Tach mount frame
- Integral stand
- PTO driven hydraulic pump
- Self-contained hydraulic system
- Full hydraulic controls

3-PT BASE

- 6" x 8" base pads, wide stance for stability
- Welded, tubular steel construction
- Category II bushings included

MODEL 1450 - SKID STEER SKID STEER

Skid Steer Quick-Tach Mount Frame*

- 45" wide, 235 lb (107 kg)
- Includes hydraulic drive motor with couplers

*skid steer must be equipped with Quick-Tach carrier

OPTIONAL EQUIPMENT

- Post guide

MODEL 2400 - ENGINE AND PTO DRIVE STANDARD EQUIPMENT

- PTO or engine driven hydraulic pump
- Self-contained hydraulic system
- Full hydraulic controls
- Large hammer face
- Hammer ballast box with lid
- Welded frame, axle and counter weight box reduces set up time
- Rear stand to prevent backward flip over

OPTIONAL EQUIPMENT

- Mast extension
- Hydraulic extendable hitch
- 2" ball hitch receiver

| MODEL | 1450 - 3-Point Hitch and Skid Steer | MODEL | 2400 - Engine or PTO Drive |
|------------------------------|--|----------------------------|--|
| Frame | All welded tubular steel construction | Frame | All welded tubular steel construction |
| Assembly | Cat. I or II 3-pt hitch or opt. skid steer mount | In frame counterweight box | 15" x 15" x 25" – 3.2 cu. ft. (92L) |
| Mast | 12" (305 mm) wide track | Wheel track width | 69" (1750 mm) |
| Hammer weight | 310 lb (141 kg) | Wheel rims | 15" (381 mm) (6.70 x 15 4-ply bias tires optional) |
| Impact at full stroke | 100,000 lb (45,360 kg) | Wheel bearings | Tapered roller |
| Hydraulic requirements | 6-8 gpm @ 300-500 rpm (22.7-30.3 lpm @ 300-500 rpm) | Mast | 12" (305 mm) wide track |
| Maximum hammer height | Standard lift 105" (2.67 m) | Hammer weight | 310 lb (141 kg) empty, up to 700 lb (318 kg) ballasted |
| Minimum hammer height | 43" (1090 mm) | Impact at full stroke | 100,000 lb (45,360 kg)* |
| Maximum hammer stroke | 62" (1570 mm) | Maximum hammer height | Standard lift 105" (2.67 m), 128" (3.25 m) with optional mast extension |
| Leveling adjustment | 2" x 8" cylinder on mast (1) 2" x 8" cylinder on hammer pivot (1) | Minimum hammer height | 43" (1090 mm), 66" (1676 mm) with optional mast extension |
| Angle of tilt, from vertical | Front / Back: Fore 15° / Aft 35° Side tilt: Left 22° / Right 22° | Maximum hammer stroke | 62" (1570 mm) |
| Hydraulic pump | 12 gpm @ rated speed | In & out hammer slide | 16" (410 mm) |
| Basic shipping weight | 1135 lb (515 kg) | Hammer tilt, from vertical | Fore 20° / Aft 15°, Side Tilt: Left 40° / Right 22° |
| | | Basic shipping weight | PTO: 1190 lb (540 kg), Engine: 1300 lb (590 kg) |

*Impact lb are based on an 8" diameter post driven into packed clay soil with non ballasted hammer. Impact increases proportionally with ballast in hammer.

REAR BLADE

REAR BLADES

PRODUCT OVERVIEW

Constructed for ditching, scraping, landscaping and snow removal applications

Category I, II, III

15 - 155 hp required

FEATURES

Reversible and replaceable cutting edge

No tools are required for adjusting the angle

Pivot pin designed with tight tolerances

OPTIONS

Hydraulic angle adjustment, Series 60



REAR BLADES

Series 30, 45, 60, 80, 100, 155

PIVOT POINT

These rear blades have been precisely built, with particular attention to the pivot point. To minimize metal-on-metal wear and maximize blade longevity, the pivot point has been designed with tight tolerance and built to precisely engineered specifications.

TILT ADJUSTMENT

The manual tilt adjustment on the 45 Series tilts the blade up to 15°. The same bolts adjust the side shift feature to move the blade up to 12" off-center. Adjusting the angle on models without hydraulic cylinders does not require tools.

FEATURES

Standard equipment includes parking stand and Quick Hitch compatibility.

CUTTING EDGE

Allied by Farm King rear blades feature a reversible and replaceable cutting edge.

FARM KING HAS BEEN BUILDING A WIDE VARIETY OF REAR BLADES FOR SEVERAL DECADES.

These blades are manufactured using more steel than industry standards, which adds strength, longevity and durability to each blade. Available in six series suitable for tractors ranging from 15 hp to 155 hp, Farm King Rear Blades are capable of tackling tough scraping projects.



[1] The sideshift feature moves the blade up to 12" off-center. [2] Adjusting the angle on models without hydraulic cylinders does not require tools. [3] The manual tilt adjustment on the 45 Series tilts the blade up to 15°.



| SERIES | 30 | | | 45 | | | 60 | | 80 | | | 100 | | 155 | | | |
|---|----------------------------|----------------|----------------|-------------------------------------|-----------------|-----------------|-------------------------------------|-----------------|-------------------------------------|-----------------|-----------------|-------------------------------------|------------------|-------------------------------------|------------------|------------------|------------------|
| MODEL | 3048 | 3060 | 3072 | 4560 | 4572 | 4584 | 6084 | 6096 | 8084 | 8096 | 80108 | 10096 | 100108 | 15596 | 155108 | 155120 | 155144 |
| Maximum hp | 30 hp (22 kW) | | | 45 hp (34 kW) | | | 60 hp (45 kW) | | 80 hp (60 kW) | | | 100 hp (75 kW) | | 155 hp (115 kW) | | | |
| 3-point hitch | Cat. I | | | Cat. I | | | Cat. I/II | | Cat. II | | | Cat. II/III | | Cat. II/III | | | |
| Moldboard thickness - Box reinforcement | 1/4" (6 mm) | | | 1/4" (6 mm) | | | 1/4" (6 mm) | | 1/4" (6 mm) | | | 5/16" (8 mm) | | 5/16" (8 mm) | | | |
| Moldboard width | 48" (1.2 m) | 60" (1.5 m) | 72" (1.8 m) | 60" (1.5 m) | 72" (1.8 m) | 84" (2.1 m) | 84" (2.1 m) | 96" (2.4 m) | 84" (2.1 m) | 96" (2.4 m) | 108" (2.7 m) | 96" (2.4 m) | 108" (2.7 m) | 96" (2.4 m) | 108" (2.7 m) | 120" (3.0 m) | 144" (3.7 m) |
| Moldboard height | 12-1/2" (32 cm) | | | 13" (33 cm) | | | 16" (41 cm) | | 18" (46 cm) | | | 18" (46 cm) | | 21-1/4" 18" (54 cm) | | | |
| Adjustment | Manual 5-pos. | | | Manual 5-pos. | | | Manual 5-pos. | | Manual or hyd. | | | Manual or hyd. | | Manual or hyd. | | | |
| Adjustment, angle | 30° left or right | | | 40° left or right | | | 40° left or right | | 30° left or right | | | 30° left or right | | 30° left or right | | | |
| Adjustment, hydraulic cylinder adjustment | N/A | | | N/A | | | Optional | | N/A | | | N/A | | N/A | | | |
| Adjustment, tilt | 3-point hitch linkage adj. | | | Manual 15° blade adjustment | | | 3-point hitch linkage adj. | | Manual or hyd. 13° blade adj. | | | Manual or hyd. 13° blade adj. | | Manual or hyd. 13° blade adj. | | | |
| Offset | N/A | | | N/A | | | N/A | | Manual or hyd. 20° left or right | | | Manual or hyd. 20° left or right | | Manual or hyd. 20° left or right | | | |
| Side shift | N/A | | | Up to 12" (30 cm) off center | | | N/A | | N/A | | | N/A | | N/A | | | |
| King pin | N/A | | | N/A | | | N/A | | 3" | | | 3-1/2" | | 4" | | | |
| Cutting edge, reversible | 1/4" x 3" (6 x 76 mm) | | | High carbon 1/2" x 6" (12 x 152 mm) | | | High carbon 1/2" x 6" (12 x 152 mm) | | High carbon 1/2" x 6" (12 x 152 mm) | | | High carbon 1/2" x 6" (12 x 152 mm) | | High carbon 1/2" x 6" (12 x 152 mm) | | | |
| Weight | 130 lb (59 kg) | 155 lb (70 kg) | 180 lb (82 kg) | 263 lb (119 kg) | 283 lb (128 kg) | 289 lb (131 kg) | 405 lb (184 kg) | 450 lb (204 kg) | 939 lb (426 kg) | 969 lb (440 kg) | 989 lb (449 kg) | 1287 lb (584 kg) | 1352 lb (613 kg) | 1683 lb (763 kg) | 1710 lb (776 kg) | 1749 lb (793 kg) | 1846 lb (837 kg) |

Series 30



FOR TRACTORS 15-30 HP

Available in 4', 5' and 6' widths. Manual adjustment. Tilt adjustment is 3-point hitch linkage adjustment.

| SERIES | 30 |
|-----------------|-------------------|
| 3-point hitch | Cat. I |
| Angle | 30° left or right |
| Angle - forward | 5-position |
| Angle - reverse | 5-position |

Series 45



FOR TRACTORS 20-45 HP

Available in 5', 6' or 7' widths. 15° vertical tilt on both sides. Cutting edge constructed of high carbon steel, 1/2" x 6".

| SERIES | 45 |
|-----------------|-------------------|
| 3-point hitch | Cat. I |
| Angle | 40° left or right |
| Angle - forward | 5-position |
| Angle - reverse | 5-position |

Series 60



FOR TRACTORS 30-60 HP

Available in 7' and 8' widths. Mechanical linkage. Hyd. adjustment is optional. Cutting edge constructed of high carbon steel, 1/2" x 6".

| SERIES | 60 |
|-----------------|---------------------|
| 3-point hitch | Cat. II, I optional |
| Angle | 40° left or right |
| Angle - forward | 5-position |
| Angle - reverse | 5-position |

Series 80



FOR TRACTORS 80 HP

Available in 7', 8' and 9' widths. Angle adjustment, offset and tilt can be fitted with either hydraulic cylinders or mechanical linkage.

| SERIES | 80 |
|-----------------|-------------------|
| 3-point hitch | Cat. II |
| Angle | 30° left or right |
| Angle - forward | 5-position |
| Angle - reverse | 5-position |

Series 100



FOR TRACTORS 100 HP

Available in 8' and 9' widths. Hydraulic angle adjustment, offset and tilt. Cutting edge constructed of high carbon steel, 1/2" x 6".

| SERIES | 100 |
|-----------------|-------------------|
| 3-point hitch | Cat. II and III |
| Angle | 30° left or right |
| Angle - forward | 5-position |
| Angle - reverse | 5-position |

Series 155



FOR TRACTORS 155 HP

Available in 8', 9', 10' and 12' widths. Hydraulic angle adjustment, offset and tilt. Cutting edge constructed of high carbon steel, 1/2" x 6".

| SERIES | 155 |
|-----------------|-------------------|
| 3-point hitch | Cat. II and III |
| Angle | 30° left or right |
| Angle - forward | 5-position |
| Angle - reverse | 5-position |

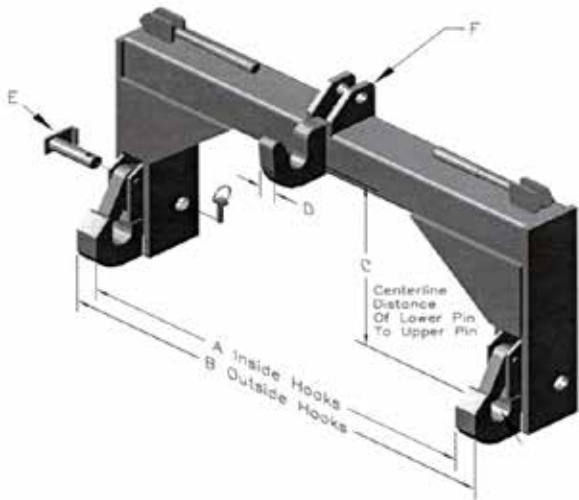


QUICK HITCH

Category I, II, III, II/III

THE BEST PART ABOUT OWNING A TRACTOR IS PUTTING IT TO GOOD USE.

Regardless of the size of your tractor, a number of implements are available to maximize the usefulness of your machine. Whether you have a compact utility tractor or a large four-wheel-drive, the Quick Hitch can be matched to various types of snow blowers, mowers, tillers, rear blades, box scrapers, cultivators and rakes to turn any tractor into a multi-purpose farming tool.



SPECIFICATIONS

| MODEL | C3101 | C3201 | C3301 | C3231 |
|----------|--------------------|---------|---------|----------|
| Category | I | II | III | II / III |
| A | 27-1/4" | 32-3/4" | 38-1/4" | 38-1/4" |
| B | 29-1/2" | 36-1/4" | 42-3/4" | 42-3/4" |
| C | 14-1/2" to 17-1/4" | 14-7/8" | 18-7/8" | 19" |
| D | 1-1/4" | 1-1/4" | 1-1/4" | 1-1/4" |
| E | 7/8" | 1-1/8" | 1-7/16" | 1-1/8" |
| F | 3/4" | 1" | 1-1/4" | 1-1/4" |
| Weight | 76 lb | 134 lb | 182 lb | 185 lb |



DID YOU KNOW WE HAVE
PRODUCTS FOR
EVERY FARM





**GRAIN HANDLING
TILLAGE
APPLICATION EQUIPMENT
HAY TOOLS
LANDSCAPING EQUIPMENT
ALLIED COMMERCIAL EQUIPMENT**

Visit farm-king.com for the latest info



farm-king.com



Farm King

1260 Clarence Avenue
Winnipeg, Manitoba Canada R3T 1T2
Ph.: 204.661.8711 | Fax: 204.654.2503
Toll Free: 888.524.1003
E-mail: info@buhler.com
farm-king.com

Equipment shown is subject to change without notice. ©2020 BuhlerTrading Inc.
Printed in Canada. Ref: 022020

bühler | a division of Buhler Industries Inc.