

## STANDARD EQUIPMENT

ISO Standard cabin
All-weather steel cab with 360° visibility
Safety glass windows
Rise-up type windshield wiper
Sliding fold-in front window
Sliding side window(LH)
Lockable door
Hot & cool box
Storage compartment & Ashtray
Transparent cabin roof-cover
CD/MP3 Player
Handsfree mobile phone system with USB
Sun visor
Computer aided power optimization (New CAPO) system
3-power mode, 3-work mode, User mode
Auto deceleration & one-touch deceleration system
Auto warm-up system
Auto overheat prevention system
Automatic climate control
Air conditioner & heater
Defroster
Self-diagnostics system
Starting Aid (air grid heater) for cold weather
Centralized monitoring
LCD display
Engine speed or Trip meter/Accel.
Clock
Gauges
Fuel level gauge
Engine coolant temperature gauge
Hyd. oil temperature gauge
Warnings
Check Engine
Overload
Communication error
Low battery
Air cleaner clogging
Indicators
Max power
Low speed/High speed
Fuel warmer
Auto idle
Door and cab locks, one key
Two outside rearview mirrors
Fully adjustable suspension seat with seat belt
Pilot-operated slidable joystick
Console box height adjust system
Three front working lights
Electric horn
Batteries (2 x 12V x 160 AH)
Battery master switch
Removable clean-out screen for oil cooler
Automatic swing brake
Removable reservoir tank
Fuel pre-filter with fuel warmer
Boom holding system
Arm holding system
Counterweight (6200kg, 13670lb)
Track shoes (600mm, 24")
Track rail guard
Accumulator for lowering work equipment
Electric transducer
Lower frame under cover (Normal)

## OPTIONAL EQUIPMENT

Fuel filler pump (50 L/min)
Beacon lamp
Safety lock valve for boom cylinder with overload warning device
Safety lock valve for arm cylinder
Single-acting piping kit (breaker, etc.)
Double-acting piping kit (clamshell, etc.)
Quick coupler
12 volt power outlet (24V DC to 12V DC converter)
Travel alarm
Booms
6.15 m, 20' 2"
6.45 m, 21' 2"
6.45 m, 21' 2" Heavy Duty
Arms
2.2 m, 7' 3"
2.5 m, 8' 2"
3.2 m, 10' 6"
3.2 m, 10' 6" Heavy Duty
4.05 m, 13' 3"
Climate control
Air conditioner only
Heater only
Cabin FOPS/FOG (ISO/DIS 10262)
FOPS (Falling Object Protective Structure)
FOG (Falling Object Guard)
Cabin roof-steel cover
Cabin lights
Cabin front window rain guard
Track shoes
Triple grousers shoe (700 mm, 28" )
Triple grousers shoe (800 mm, 32" )
Triple grousers shoe (900 mm, 36" )
Double grousers shoe (700 mm, 28" )
Full track rail guard
Lower frame under cover (Additional)
Pre-heating system, coolant
Tool kit
Operator suit
Rearview camera
Seat
Adjustable air suspension seat
Adjustable air suspension seat with heater
Mechanical suspension seat with heater
Pattern change valve (2 patterns)
Hi-mate (Remote Management System)

Standard and optional equipment may vary. Contact your Hyundai dealer for more information. The machine may vary according to International standards. All imperial measurements rounded off to the nearest pound or inch.

PLEASE CONTACT

www.hyundai-ce.com

2009.07 Rev 0

## **HYUNDAI** HEAVY INDUSTRIES CO.,LTD. **CONSTRUCTION EQUIPMENT**

Head Office (Sales Office)  
1 JEONHA-DONG, DONG-GU, ULSAN, KOREA TEL: (82) 52-202-7970, 7729, 0971 FAX: (82) 52-202-7979, 7720

U.S. Operation: Hyundai Construction Equipment U.S.A., Inc.  
955 ESTES AVENUE, ELK GROVE VILLAGE, IL. 60007, U.S.A. TEL: (1) 847-437-3333 FAX: (1) 847-437-3574

European Operation: Hyundai Heavy Industries Europe N.V.  
VOSSENDAAL 11, 2440 GEEL, BELGIUM TEL: (32) 14-56-2200 FAX: (32) 14-59-3405

India Operation: Hyundai Construction Equipment India Pvt., Ltd.  
PLOT NO.A-2, CHAKAN INDUSTRIAL AREA, VILL.- KHALUMBRE. TALUK.- KHED., DIST.- PUNE 410 501, INDIA  
TEL: (91) 21-3530-1700 FAX: (91) 21-3530-1712

We build a better future

**Robex**  
**320LC-9**

With Tier 3 Engine installed



\*Photo may include optional equipment.

 **HYUNDAI**  
HEAVY INDUSTRIES CO.,LTD.

## Pride at Work

Hyundai Heavy Industries strives to build state-of-the-art earthmoving equipment to give every operator maximum performance, more precision, versatile machine preferences, and proven quality. Take pride in your work with a Hyundai!



\*Photo may include optional equipment.

# Robex 320LC-9

## Machine Walk-Around

### Undercarriage

Sealed track chain (urethane seals) / Standard track rail guard / Comfortable bolt-on steps  
Large upper roller cut-outs for debris clean-out / Tapered side frames for debris clean-out / Grease-type track tensioner

### Engine Technology

Proven / reliable, fuel efficient Cummins Tier III QSC engine  
Electronically controlled for optimum fuel to air ratio and clean, efficient combustion  
Low noise / Auto engine overheat feature / Anti-restart feature

### Hydraulic System Improvements

New patented hydraulic control for improved controllability / Improved control valve design for added efficiency and smoother operation / New auto boom and swing priority system for optimum speed / New auto power boost feature for additional power when needed / Improved arm-in and boom-down flow regeneration system for added speed and efficiency

### Pump Compartment

Industry-leading, powerful, reliable Kawasaki designed, variable volume in-line axial piston pumps  
New compact solenoid block equipped with 4 solenoid valves, 1 EPPR valves, 1 check valve accumulator and pilot filter - controls 2 speed travel, power boost, boom priority, safety lock

### Enhanced Operator Cab

#### Improved Visibility

Enlarged cab with improved visibility / See-through upper skylight for visibility and ventilation  
Larger right-side glass, now one piece, for better right visibility  
Safety glass windows on all sides - less expensive than (polycarbonate) and won't scratch or fade  
Closeable sunshade for operator convenience / Reduced front window seam for improved operator view

#### Improved Cab Construction

New steel tube construction for added operator safety, protection and durability  
New window open/close mechanism designed with cable and spring lift assist and single latch release

#### Improved Suspension Seat / Console Assembly

Ergonomic joysticks with auxiliary control buttons for attachment use. Now with new sleek styling  
Heated suspension (standard) or optional air ride suspension with heat  
New joystick consoles - now adjustable in height by way of dial at bottom  
Adjustable arm rests - turn dial to raise or lower for optimum comfort

#### Advanced 7" Color Cluster

New Color LCD Display with easy to read digital gauges for hydraulic oil temperature, water temperature, and fuel. Simplified design makes adjustment and diagnostics easier. Also, new enhanced features such as rear-view camera are integrated into monitor.

3 power modes : (P) Power, (S) Standard, (E) Economy, 2 work modes : Dig & Attachment, (U) User mode for operator preference  
Enhanced self-diagnostic features with GPS download capability  
One pump flow or two pump flow for optional attachment now selectable through the cluster / New anti-theft system with password capability  
Boom speed and arm regeneration are selectable through the monitor.  
Auto power boost is now available - selectable (on/off) through the monitor.  
Powerful air conditioning and heat with auto climate control, 20% more heat and air output than 7A series!  
RMS (Remote Management System) works through GPS/satellite technology to ultimately provide better customer service and support.

# Preference

Operating a 9 series is unique to every operator. Operators can fully customize their work environment and operating preferences to fit their individual needs.



\*Photo may include optional equipment.



## Wide Cabin with Excellent Visibility

The newly designed cabin was conceived for more space, a wider field of view and operator comfort. Special attention was given to a clear, open and convenient interior with plenty of visibility on the machine surroundings and the job at hand. This well balanced combination of precision aspects put the operator in the perfect position to work safely and securely.

## Operator Comfort

In 9 series cabin you can easily adjust the seat, console and armrest settings to best suit your preferred comfort level. Seat and console position and height can be set together and independent from each other. Other preference settings that add to overall operator comfort include the full automatic high capacity airconditioning system and the CD/MP3 radio.



## Reduced Stress

Work is stressful enough. Your work environment should be stress free. Hyundai's 9 series provides improved cab amenities, additional space and a comfortable seat to minimize stress to the operator. A powerful climate control system provides the operator with optimum air temperature. An advanced audio system with CD player, AM/FM stereo and MP3 capabilities, plus remotely located controls is perfect for listening to music favorites. Operators can even talk on the phone with the hands-free cell phone feature.



## Operator - Friendly Cluster

The advanced new cluster with 7 inch wide color LCD screen and toggle switch allows the operator to select his personal machine preferences. Power and work mode selection, self diagnostics, optional rear-view camera, maintenance check lists, start-up machine security, and video functions were integrated into the cluster to make the machine more versatile and the operator more productive.



# Precision

Innovative hydraulic system technologies make the 9 series excavator fast, smooth and easy to control.



## Computer Aided Power

The engine horsepower and hydraulic horsepower together in unison through the advanced CAPO(Computer Aided Power Optimization) system, flow for the job at hand. Operator can set their own preferences for boom or swing priority, power mode selection and optional work tools at the touch of a button.

The CAPO system also provides complete self diagnostic features and digital gauges for important information like hydraulic oil temperature, water temperatures and fuel level. This system interfaces with multiple sensors placed throughout the hydraulic system as well as the electronically controlled engine to provide the optimum level of engine power and hydraulic flow.

### Power Mode

P (Power Max) mode maximizes machine speed and power for mass production. S (Standard) mode provides a reduced, fixed rpm for optimum performance and improved fuel economy. For maximum fuel savings and improved control, E (Economy) mode provides precise flow and engine power based on load demand. Three unique power modes provide the operator with custom power, speed and fuel economy.

### Work Mode

The work mode allows the operator to select single flow attachments like a hydraulic breaker or bi-directional flow attachments like a crusher. Flow settings unique to each attachment can be programmed from within the cluster.

### User Mode

Some jobs require more precise machine settings. Using the versatile U (User) mode, the operator can customize engine speed, pump output, idle speed and other machine settings for the job at hand.

## Improved Hydraulic System



To achieve optimum precision, Hyundai redesigned the hydraulic system to provide the operator with super fine touch and improved controllability. Improved pump flow control reduces flow when controls are not being used to minimize fuel consumption.

Improved spool valves in the control valve are engineered to provide more precise flow to each function with less effort.

Improved hydraulic valves, precision-designed variable volume piston pumps, fine-touch pilot controls, and enhanced travel functions make any operator running a 9

series look like a smooth operator. Newly improved features include arm-in and boom-down flow regeneration, improved control valve technology and innovative auto boom and swing priority for optimal performance in any application.

## Auto Boom-swing Priority

This smart function automatically and continuously looks the ideal hydraulic flow balance for the boom and swing motions of the machine. The advanced CAPO system monitors the hydraulic system and adjusts its settings to maximize performance and productivity.



# Performance

9 series is designed for maximum performance to keep the operator working productively.



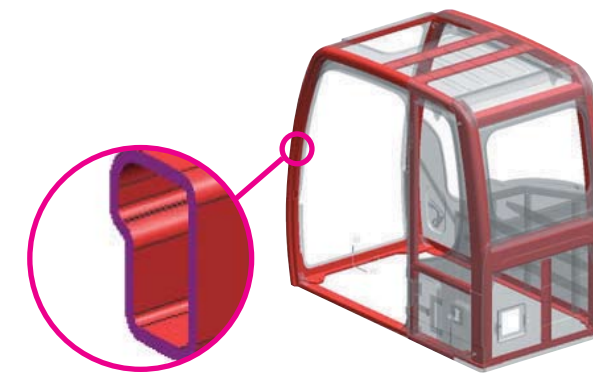
\*Photo may include optional equipment.



## Track Rail Guard & Adjusters

standard grease cylinder track adjusters and shock absorbing springs.

Durable track rail guards keep track links in place. Track adjustment is made easy with



## Structure Strength

The 9 series cabin structure has been fitted with stronger but slimmer tubing for more safety and improved visibility. Low-stress, high strength steel is integrally welded to form a stronger, more durable upper and lower frame. Structural integrity was tested by way of FEM (Finite Elements Method) analysis and long-term durability tests.

## CUMMINS QSC Engine

The Tier III compliant, six cylinder, turbo-charged, 4 cycle, water cooled, Cummins QSC diesel engine is built for power, reliability, efficiency and reduced emissions.

## Heavy-duty strength

The QSC from Cummins. With advanced electronics. Higher torque. Better throttle response. Shorter service times. Longer maintenance intervals. Increased fuel economy. Decreased noise. Diagnostics. Prognostics. Engine protection, and more. All wrapped up in something we call the Quantum system.

The QSC is built to withstand the toughest work environment. Bearings have more surface area to handle higher loads with greater durability. The exhaust manifold allows for heat expansion and contraction, eliminating metal stress fractures. Reduced friction in the power cylinder means longer life and increased power output. From the structurally reinforced block to the stiffened gear housing, the QSC is built stronger to last longer.



# Profitable

9 series is designed to maximize profitability through improved efficiencies, enhanced service features and longer life components.

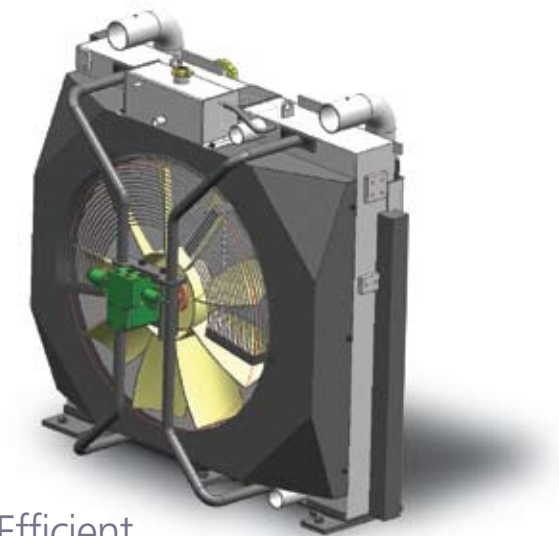


\*Photo may include optional equipment.



## Hi-mate (Remote Management System)

Hi-mate, Hyundai's proprietary remote management system, provides operators and dealer service personnel access to vital service and diagnostic information on the machine from any computer with internet access. Users can pinpoint machine location using digital mapping and set machine work boundaries, reducing the need for multiple service calls. Hi-mate saves time and money for the owner and dealer by promoting preventative maintenance and reducing machine downtime.



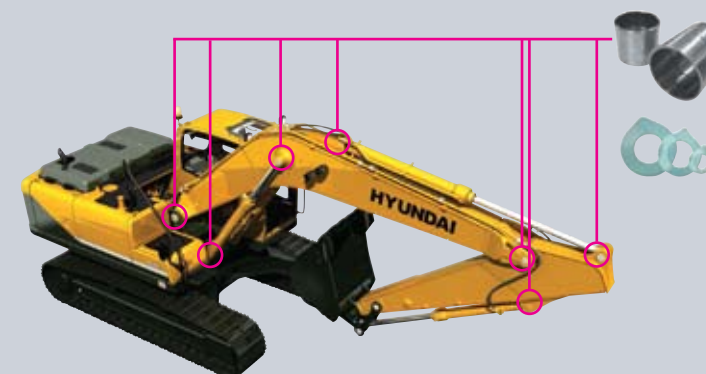
## Fuel Efficient

9 series excavators are engineered to be extremely fuel efficient. New innovations like the variable speed & remote fan, three-stage auto decel system and the new economy mode help to conserve fuel and reduce the impact on the environment.



## Easy Access

Ground-line access to filters, lube fittings, fuses, machine computer components and wide open compartments makes service more convenient on the 9 series.



## Extended Life Components

9 series excavators were designed with extended lubricant bush life & ultra high molecular weight polymer shim (wear resistant, noise reducing), extended-life hydraulic filters (1,000hr), long-life hydraulic oil (5,000hr), more efficient cooling systems and integrated preheating systems to long extend service intervals, minimize operating costs and reduce machine down time.

# Specifications

## ENGINE

MODEL	Cummins QSC		
Type	Water-cooled, 4-cycle Diesel, 6-Cylinder in-line, Direct injection, Turbocharged, Charge air cooled, Low emission		
Rated flywheel horsepower	SAE	J1995 (gross)	278HP (213kW)/ 1,750rpm
		J1349 (net)	263HP (196kW)/ 1,750rpm
Rated flywheel horsepower	DIN	6271/1 (gross)	282PS (213kW)/ 1,750rpm
		6271/1 (net)	267PS (196kW)/ 1,750rpm
Max. torque	123.7kgf·m (895lbf·ft)/1,500rpm		
Bore X stroke	114mm X 135mm (4.5" X 5.3")		
Piston displacement	8,300cc (506 in³)		
Batteries	2 X 12V X 160AH		
Starting motor	24V, 7.5kW		
Alternator	24V, 50Amp		

## HYDRAULIC SYSTEM

MAIN PUMP	
Type	Variable displacement tandem-axis piston pumps
Max. flow	2 X 270 L/min (68.7 US gpm/57.2 UK gpm)
Sub-pump for pilot circuit	Gear pump

Cross-sensing and fuel saving pump system

HYDRAULIC MOTORS	
Travel	Two-speed axial pistons motor with brake valve and parking brake
Swing	Axial piston motor with automatic brake

RELIEF VALVE SETTING	
Implement circuits	350 kgf/cm² (4,690 psi)
Travel	350 kgf/cm² (4,690 psi)
Power boost (boom, arm, bucket)	380 kgf/cm² (5,120 psi)
Swing circuit	300 kgf/cm² (3,770 psi)
Pilot circuit	40 kgf/cm² (500 psi)
Service valve	Installed

HYDRAULIC CYLINDERS	
No. of cylinder	Boom: 2-150 X 1,480 mm (5.9" X 58.3")
bore X stroke	Arm: 1-160 X 1,685 mm (6.3" X 66.3") Bucket: 1-140 X 1,285 mm (5.5" X 50.6")

## DRIVES & BRAKES

Drive method	Fully hydrostatic type
Drive motor	Axial piston motor, in-shoe design
Reduction system	Planetary reduction gear
Max. drawbar pull	29,500 kgf (65,040lbf)
Max. travel speed (high / low)	5.5 km/hr (3.4 mph) / 3.3 km/hr (2.1 mph)
Gradeability	35° (70 %)
Parking brake	Multi wet disc

## CONTROL

Pilot pressure operated joysticks and pedals with detachable lever provide almost effortless and fatigueless operation.

Pilot control	Two joysticks with one safety lever (LH): Swing and arm, (RH): Boom and bucket (ISO)
Traveling and steering	Two levers with pedals
Engine throttle	Electric, Dial type
Lights	Two lights mounted on the boom, one light mounted on the battery box

## SWING SYSTEM

Swing motor	Two fixed displacement axial pistons motor
Swing reduction	Planetary gear reduction
Swing bearing lubrication	Grease-bathed
Swing brake	Multi wet disc
Swing speed	9.2 rpm

## COOLANT & LUBRICANT CAPACITY

Re-filling	liter	US gal	UK gal
Fuel tank	500	132.1	110.0
Engine coolant	45.0	11.9	9.9
Engine oil	35	9.2	7.7
Swing device - gear oil	11	1.8	1.5
Final drive (each) - gear oil	5.5	2.9	2.4
Hydraulic system (including tank)	330	87.2	72.6
Hydraulic tank	190	50.2	41.8

## UNDERCARRIAGE

The X-leg type center frame is integrally welded with reinforced box-section track frames. The undercarriage includes lubricated rollers, idlers, track adjusters with shock absorbing springs and sprockets, and a track chain with double or triple grouser shoes.

Center frame	X-leg type
Track frame	Pentagonal box type
No. of shoes on each side	48
No. of carrier rollers on each side	2
No. of track rollers on each side	9
No. of rail guards on each side	2

## OPERATING WEIGHT (APPROXIMATE)

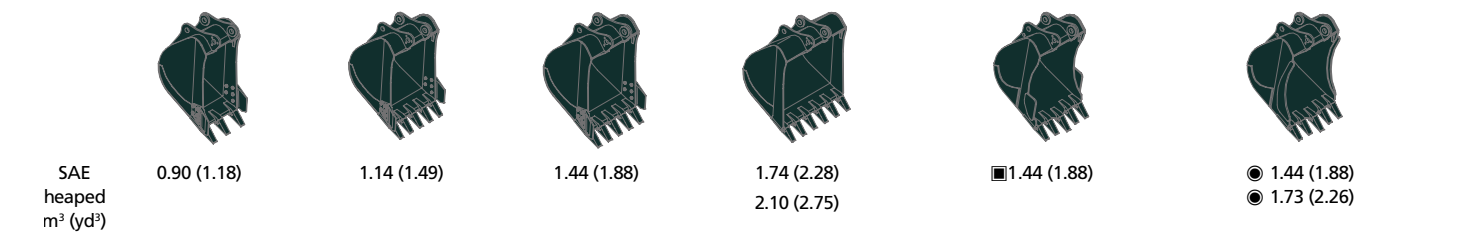
Operating weight, including 6,450mm (21' 2") boom, 3,200mm (10' 6") arm, SAE heaped 1.44m³ (1.88 yd³) bucket, lubricant, coolant, full fuel tank, full hydraulic tank, and all standard equipments.

MAJOR COMPONENT WEIGHT	
Upperstructure	8,320kg (18,340lb)
Counterweight	6,200kg (13,670lb)
Boom (with arm cylinder)	3,030kg (6,680lb)
Arm (with bucket cylinder)	1,770kg (3,900lb)

OPERATING WEIGHT			
Shoes		Operating weight	Ground pressure
Type	Width mm (in)	kg (lb)	kgf/cm² (psi)
Triple grouser	600 mm (24")	R320LC-9	33,000 (72,750) 0.63 (8.96)
		R320NLC-9	32,800 (72,310) 0.63 (8.96)
		R320LC-9 H/W	35,500 (78,260) 0.68 (9.67)
	700 mm (28")	R320LC-9	33,600 (74,070) 0.55 (7.82)
		R320LC-9 H/W	36,100 (79,590) 0.59 (8.39)
		R320LC-9	34,000 (74,960) 0.49 (6.97)
	800 mm (32")	R320LC-9 H/W	36,500 (80,470) 0.53 (7.54)
		R320LC-9	34,400 (75,840) 0.44 (6.26)
	Double grouser	700 mm (28")	R320LC-9 H/W

## BUCKETS

All buckets are welded with high-strength steel.



Capacity m³ (yd³)	Width mm (in)	Weight kg (lb)	Recommendation mm (ft-in)						
			6,450 (21' 2") Boom				6,150 (20' 2") Boom		
SAE heaped	CECE heaped	Without sidecutters	With sidecutters	2,200 (7' 3") Arm	2,500 (8' 2") Arm	3,200 (10' 6") Arm	4,050 (13' 3") Arm	2,200 (7' 3") Arm	
0.90 (1.18)	0.80 (1.05)	950 (37.4)	1,070 (42.1)	870 (1920)	●	●	●	■	●
1.14 (1.49)	1.00 (1.31)	1,110 (43.7)	1,230 (48.4)	980 (2160)	●	●	●	■	●
1.44 (1.88)	1.25 (1.63)	1,380 (54.3)	1,500 (59.1)	1,110 (2450)	●	●	■	▲	●
1.74 (2.28)	1.50 (1.96)	1,620 (63.8)	1,740 (68.5)	1,230 (2710)	■	■	▲	-	●
2.10 (2.75)	1.80 (2.35)	1,910 (75.2)	2,030 (79.9)	1,370 (3020)	▲	▲	-	-	■
1.44 (1.88)	1.25 (1.63)	1,470 (57.9)	-	1,380 (3040)	●	●	■	-	●
1.44 (1.88)	1.25 (1.63)	1,470 (57.9)	-	1,470 (3240)	●	●	■	-	●
1.73 (2.26)	1.50 (1.96)	1,710 (67.3)	-	1,610 (3550)	■	■	-	-	●

■ Heavy duty bucket

● Rock-Heavy duty bucket

● : Applicable for materials with density of 2,000 kg /m³ (3,370 lb/ yd³) or less

■ : Applicable for materials with density of 1,600 kg /m³ (2,700 lb/ yd³) or less

▲ : Applicable for materials with density of 1,100 kg /m³ (1,850 lb/ yd³) or less

## ATTACHMENT

Booms and arms are welded with a low-stress, full-box section design. 6.45m & 6.15m Booms and 2.2m, 2.5m, 3.2m, & 4.05m Arms are available.

## DIGGING FORCE

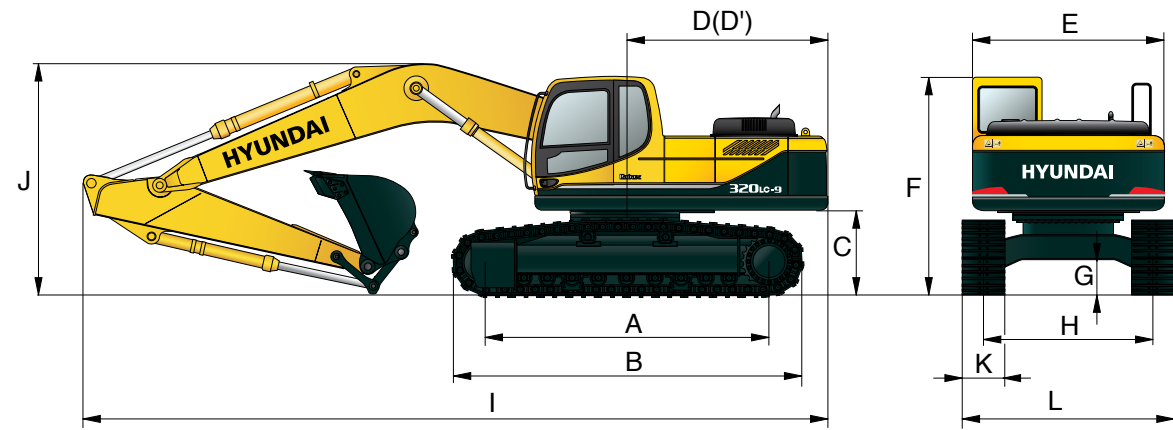
Boom	Length	mm (ft-in)	6,450 (21' 2")				Remarks			
			Weight	kg (lb)						
Arm	Length	mm (ft-in)	2,200 (7' 3")		2,500 (8' 2")		3,200 (10' 6")		4,050 (13' 3")	
			Weight	kg (lb)	1,560 (3,440)	1,650 (3,640)	1,770 (3,900)	1,870 (4,120)		
Bucket digging force	SAE	kN	189.3 [205.5]	189.3 [205.5]	189.3 [205.5]	189.3 [205.5]				
		kgf	19,300 [20,950]	19,300 [20,950]	19,300 [20,950]	19,300 [20,950]				
		lbf	42,550 [46,200]	42,550 [46,200]	42,550 [46,200]	42,550 [46,200]				
	ISO	kN	211.8 [230.0]	211.8 [230.0]	211.8 [230.0]	211.8 [230.0]				
		kgf	21,600 [23,450]	21,600 [23,450]	21,600 [23,450]	21,600 [23,450]				
		lbf	47,620 [51,700]	47,620 [51,700]	47,620 [51,700]	47,620 [51,700]				
Arm crowd force	SAE	kN	196.6 [213.4]	178.9 [194.2]	143.2 [155.5]	119.6 [129.9]				
		kgf	20,000 [21,760]	18,200 [19,810]	14,600 [15,850]	12,200 [13,240]				
		lbf	44,190 [47,980]	40,220 [43,670]	32,190 [34,950]	26,890 [29,190]				
	ISO	kN	202.8 [220.2]	185.1 [201.0]	147.1 [159.7]	122.7 [133.3]				
		kgf	20,700 [22,450]	18,900 [20,500]	15,000 [16,290]	12,515 [13,590]				
		lbf	45,600 [49,510]	41,620 [45,190]	33,070 [35,900]	27,590 [29,950]				

Note: Boom weight includes arm cylinder, piping, and pin

Arm weight includes bucket cylinder, linkage, and pin

# Dimensions & Working Range

## R320LC-9 / R320NLC-9 DIMENSIONS

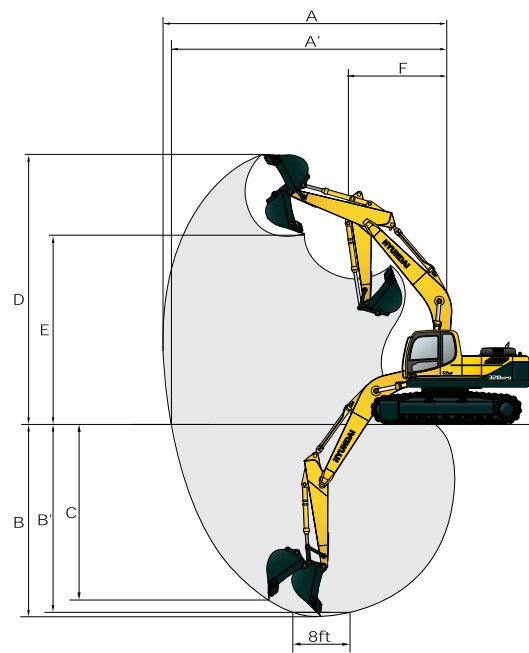


Unit : mm (ft · in)

A Tumbler distance	R320LC-9	4,030 (13' 3")	Boom length				6,450 (21' 2")	6,150 (20' 2")
	R320NLC-9	4,030 (13' 3")	Arm length				2,200 (7' 3")	2,500 (8' 2")
B Overall length of crawler		4,940 (16' 2")		3,200 (10' 6")	4,050 (13' 3")	3,600 (11' 10")		
C Ground clearance of counterweight		1,200 (3' 11")	I Overall length	11,230 (36' 10")	11,100 (36' 5")	10,980 (36' 0")	10,980 (36' 0")	10,930 (35' 10")
D Tail swing radius		3,330 (10' 11")	J Overall height of boom	3,640 (11' 11")	3,670 (12' 0")	3,380 (11' 1")	3,860 (12' 8")	3,680 (12' 1")
D' Rear-end length		3,265 (10' 9")	K Track shoe width		600 (24")	700 (28")	800 (32")	900 (36")
E Overall width of upperstructure		2,980 (9' 9")	L Overall width	R320LC-9	3,280 (10' 9")	3,380 (11' 1")	3,480 (11' 5")	3,580 (11' 9")
F Overall height of cab		3,090 (10' 2")		R320NLC-9	2,990 (9' 10")	-	-	-
G Min. ground clearance		500 (1' 8")						
H Track gauge	R320LC-9	2,680 (8' 10")						
	R320NLC-9	2,390 (7' 10")						

## R320LC-9 / R320NLC-9 WORKING RANGE

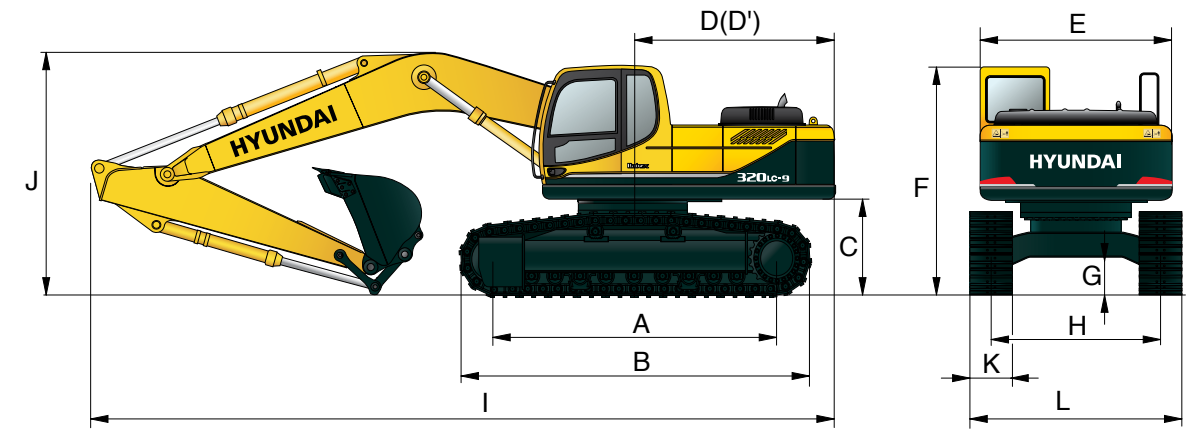
Unit : mm (ft · in)



Boom length		6,450 (21' 2")				6,150 (20' 2")
Arm length		2,200 (7' 3")	2,500 (8' 2")	3,200 (10' 6")	4,050 (13' 3")	2,200 (7' 3")
A Max. digging reach		10,330 (33' 11")	10,550 (34' 7")	11,140 (36' 7")	11,950 (39' 2")	10,020 (32' 10")
A' Max. digging reach on ground		10,110 (33' 2")	10,330 (33' 11")	10,940 (35' 11")	11,760 (38' 7")	9,800 (32' 2")
B Max. digging depth		6,370 (20' 11")	6,670 (21' 11")	7,370 (24' 2")	8,220 (26' 12")	6,160 (20' 3")
B' Max. digging depth (8' level)		6,160 (20' 3")	6,470 (21' 3")	7,210 (23' 8")	8,080 (26' 6")	5,950 (19' 6")
C Max. vertical wall digging depth		5,980 (19' 7")	5,920 (19' 5")	6,360 (20' 10")	7,260 (23' 10")	5,710 (18' 9")
D Max. digging height		10,220 (33' 6")	10,170 (33' 4")	10,310 (33' 10")	10,710 (35' 2")	9,940 (32' 7")
E Max. dumping height		7,050 (23' 2")	7,050 (23' 2")	7,240 (23' 9")	7,630 (25' 0")	6,780 (22' 3")
F Min. swing radius		4,700 (15' 5")	4,500 (14' 9")	4,470 (14' 8")	4,470 (14' 8")	4,520 (14' 10")

# Dimensions & Working Range

## R320LC-9 HIGH WALKER DIMENSIONS

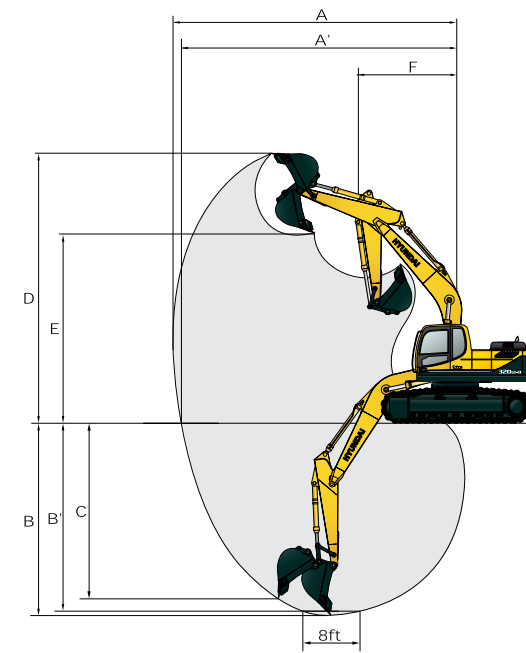


Unit : mm (ft · in)

A Tumbler distance		4,030 (13' 3")	Boom length				6,450 (21' 2")
B Overall length of crawler		4,940 (16' 2")	Arm length				2,200 (7' 3")
C Ground clearance of counterweight		1,500 (4' 11")		3,200 (10' 6")	4,050 (13' 3")	2,200 (7' 3")	
D Tail swing radius		3,330 (10' 11")	I Overall length	11,220 (36' 10")	11,100 (36' 5")	10,910 (35' 10")	11,000 (36' 1")
D' Rear-end length		3,265 (10' 9")	J Overall height of boom	3,740 (12' 3")	3,760 (12' 4")	3,360 (11' 0")	3,810 (12' 6")
E Overall width of upperstructure		2,980 (9' 9")	K Track shoe width		600 (24")	700 (28")	800 (32")
F Overall height of cab		3,390 (11' 1")					
G Min. ground clearance		765 (2' 6")	L Overall width		3,470 (11' 5")	3,570 (11' 9")	3,670 (12' 0")
H Track gauge		2,870 (9' 5")					

## R320LC-9 HIGH WALKER WORKING RANGE

Unit : mm (ft · in)



Boom length		6,450 (21' 2")				6,150 (20' 2")
Arm length		2,200 (7' 3")	2,500 (8' 2")	3,200 (10' 6")	4,050 (13' 3")	2,200 (7' 3")
A Max. digging reach		10,330 (33' 11")	10,550 (34' 7")	11,140 (36' 7")	11,950 (39' 2")	10,020 (32' 10")
A' Max. digging reach on ground		10,040 (32' 11")	10,270 (33' 8")	10,880 (35' 8")	11,710 (38' 5")	9,730 (31' 11")
B Max. digging depth		6,100 (20' 0")	6,400 (20' 12")	7,100 (23' 4")	7,950 (26' 1")	5,880 (19' 3")
B' Max. digging depth (8' level)		5,890 (19' 4")	6,200 (20' 4")	6,940 (22' 9")	7,950 (26' 1")	5,680 (18' 8")
C Max. vertical wall digging depth		5,700 (18' 8")	5,650 (18' 6")	6,080 (19' 11")	6,980 (22' 11")	5,440 (17' 10")
D Max. digging height		10,500 (34' 5")	10,450 (34' 3")	10,590 (34' 9")	10,990 (36' 1")	10,220 (33' 6")
E Max. dumping height		7,330 (24' 1")	7,330 (24' 1")	7,520 (24' 8")	7,910 (25' 11")	7,060 (23' 2")
F Min. swing radius		4,700 (15' 5")	4,500 (14' 9")	4,470 (14' 8")	4,470 (14' 8")	4,520 (14' 10")



# Lifting Capacity

## R320LC-9

Rating over-front Rating over-side or 360 degree

Boom : 6.45m (21' 2") / Arm : 2.5 m (8' 2") / Bucket : 1.44 m<sup>3</sup> (1.20 yd<sup>3</sup>) SAE heaped / Shoe : 600mm (24") triple grouser with 6,200kg (13,670 lb) Counterweight

Load point height m (ft)	Load radius										At max. reach			
	3.0 m (10.0 ft)		4.5 m (15.0 ft)		6.0 m (20.0 ft)		7.5 m (25.0 ft)		9.0 m (30.0 ft)		Capacity		Reach	
													m (ft)	
7.5 m (25.0 ft)	kg											*6720	5040	8.34
	lb											*14820	11110	(27.4)
6.0 m (20.0 ft)	kg						*7320	5980				6430	4100	9.19
	lb						*16140	13180				14180	9040	(30.2)
4.5 m (15.0 ft)	kg			*11600	*11600	*9120	8430	*7930	5770			5740	3600	9.70
	lb			*25570	*25570	*20110	18580	*17480	12720			12650	7940	(31.8)
3.0 m (10.0 ft)	kg			*15130	12220	*10770	7870	8690	5490			5420	3360	9.92
	lb			*33360	26940	*23740	17350	19160	12100			11950	7410	(32.5)
1.5 m (5.0 ft)	kg			*17590	11360	12060	7390	8400	5240	6240	3860	5380	3310	9.88
	lb			*38780	25040	26590	16290	18520	11550	13760	8510	11860	7300	(32.4)
Ground	kg			*18360	11070	11730	7110	8200	5060			5630	3470	9.57
	lb			*40480	24410	25860	15670	18080	11160			12410	7650	(31.4)
-1.5 m (-5.0 ft)	kg	*15010	*15010	*18010	11060	11630	7010	8130	4990			6280	3890	8.97
	lb	*33090	*33090	*39710	24380	25640	15450	17920	11000			13850	8580	(29.4)
-3.0 m (-10.0 ft)	kg	*22800	*22800	*16720	11240	11710	7090					7670	4800	7.98
	lb	*50270	*50270	*36860	24780	25820	15630					16910	10580	(26.2)
-4.5 m (-15.0 ft)	kg	*19110	*19110	*14080	11620	*10340	7380					*7300	7080	6.42
	lb	*42130	*42130	*31040	25620	*22800	16270					*16090	15610	(21.1)

Boom : 6.45m (21' 2") / Arm : 3.2 m (10' 6") / Bucket : 1.44 m<sup>3</sup> (1.20 yd<sup>3</sup>) SAE heaped / Shoe : 600mm (24") triple grouser with 6,200kg (13,670 lb) Counterweight

Load point height m (ft)	Load radius										At max. reach							
	1.5 m (5.0 ft)		3.0 m (10.0 ft)		4.5 m (15.0 ft)		6.0 m (20.0 ft)		7.5 m (25.0 ft)		9.0 m (30.0 ft)		Capacity		Reach			
															m (ft)			
7.5 m (25.0 ft)	kg													*5970	4370	9.06		
	lb													*13160	9630	(29.7)		
6.0 m (20.0 ft)	kg													*6500	6100	9.84		
	lb													*14330	13450	(32.3)		
4.5 m (15.0 ft)	kg						*8090	*8090	*7190	5850	*5440	4150	5160	3200	10.31			
	lb						*17840	*17840	*15850	12900	*11990	9150	11380	7050	(33.8)			
3.0 m (10.0 ft)	kg					*13400	12620	*9820	7990	*8110	5530	6390	3990	4880	2990	10.52		
	lb					*29540	27820	*21650	17610	*17880	12190	14090	8800	10760	6590	(34.5)		
1.5 m (5.0 ft)	kg					*16400	11540	*11460	7430	8400	5220	6210	3830	4830	2930	10.48		
	lb					*36160	25440	*25260	16380	18520	11510	13690	8440	10650	6460	(34.4)		
Ground	kg					*10240	*10240	*17910	11010	11690	7060	8140	4990	6080	3710	5020	3040	10.19
	lb					*22580	*22580	*39480	24270	25770	15560	17950	11000	13400	8180	11070	6700	(33.4)
-1.5 m (-5.0 ft)	kg	*11380	*11380	*14470	*14470	*18150	10860	11490	6880	8010	4870			5500	3350	9.63		
	lb	*25090	*25090	*31900	*31900	*40010	23940	25330	15170	17660	10740			12130	7390	(31.6)		
-3.0 m (-10.0 ft)	kg	*15350	*15350	*19470	*19470	*17370	10940	11490	6880	8020	4800			6500	4010	8.74		
	lb	*33840	*33840	*42920	*42920	*38290	24120	25330	15170	17680	10760			14330	8840	(28.7)		
-4.5 m (-15.0 ft)	kg					*21820	*21820	*15410	11220	*11430	7060			*7480	5470	7.37		
	lb					*48100	*48100	*33970	24740	*25200	15560			*16490	12060	(24.2)		
-6.0 m (-20.0 ft)	kg					*11340	*11340											
	lb					*25000	*25000											

Boom : 6.45m (21' 2") / Arm : 4.05 m (13' 3") / Bucket : 1.44 m<sup>3</sup> (1.20 yd<sup>3</sup>) SAE heaped / Shoe : 600mm (24") triple grouser with 6,200kg (13,670 lb) Counterweight

Load point height m (ft)	Load radius										At max. reach							
	1.5 m (5.0 ft)		3.0 m (10.0 ft)		4.5 m (15.0 ft)		6.0 m (20.0 ft)		7.5 m (25.0 ft)		9.0 m (30.0 ft)		Capacity		Reach			
															m (ft)			
7.5 m (25.0 ft)	kg													*5250	3640	10.00		
	lb													*11570	8020	(32.8)		
6.0 m (20.0 ft)	kg													*4530	4380	10.71		
	lb													*9990	9660	(35.1)		
4.5 m (15.0 ft)	kg													*6270	6000	11.13		
	lb													*13820	13230	(36.5)		
3.0 m (10.0 ft)	kg					*18220	*18220	*11250	*11250	*8610	8250	6460	4060	4280	2570	11.32		
	lb					*40170	*40170	*24800	*24800	*18980	18190	*16050	12480	14240	8950	9440	5670	(37.1)
1.5 m (5.0 ft)	kg					*10440	*10440	*14750	12000	*10470	7630	*8360	5310	6240	3860	4230	2520	11.29
	lb					*23020	*23020	*32520	26460	*23080	16820	*18430	11710	13760	8510	9330	5560	(37.0)
Ground	kg					*10810	*10810	*17060	11210	11810	7150	8180	5020	6060	3690	4360	2590	11.03
	lb					*23830	*23830	*37610	24710	26040	15760	18030	11070	13360	8140	9610	5710	(36.2)
-1.5 m (-5.0 ft)	kg	*9850	*9850	*13390	*13390	*18030	10860	11490	6880	7980	4830	5950	3580	4700	2810	10.52		
	lb	*21720	*21720	*29520	*29520	*39750	23940	25330	15170	17590	10650	13120	7890	10360	6190	(34.5)		
-3.0 m (-10.0 ft)	kg	*13020	*13020	*16980	*16980	*17900	10800	11380	6780	7900	4770	5930	3570	5390	3270	9.72		
	lb	*28700	*28700	*37430	*37430	*39460	23810	25090	14950	17420	10520	13070	7870	11880	7210	(31.9)		
-4.5 m (-15.0 ft)	kg	*16670	*16670	*21800	*21800	*16680	10950	11460	6850	7980	4840			6760	4180	8.53		
	lb	*36750	*36750	*48060	*48060	*36770	24140	25260	15100	17590	10670			14900	9220	(28.0)		
-6.0 m (-20.0 ft)	kg					*20030	*20030	*13950	11330	*10120	7130			*6790	6430	6.71		
	lb					*44160	*44160	*30750	24980	*22310	15720			*14970	14180	(22.0)		

# Lifting Capacity

## R320LC-9

Rating over-front Rating over-side or 360 degree

Boom : 6.45m (21' 2") / Arm : 2.5 m (8' 2") / Bucket : 1.44 m<sup>3</sup> (1.20 yd<sup>3</sup>) SAE heaped / Shoe : 800mm (32") triple grouser with 6,200kg (13,670 lb) Counterweight

Load point height m (ft)	Load radius										At max. reach				
	3.0 m (10.0 ft)		4.5 m (15.0 ft)		6.0 m (20.0 ft)		7.5 m (25.0 ft)		9.0 m (30.0 ft)		Capacity		Reach		
													m (ft)		
7.5 m (25.0 ft)	kg												*6720	5190	8.34
	lb												*14820	11440	(27.4)
6.0 m (20.0 ft)	kg												6630	4230	9.19
	lb												14620	9330	(30.2)
4.5 m (15.0 ft)	kg			*11600	*11600	*9120	8660	*7930	5940			5930	3720	9.70	
	lb			*25570	*25570	*20110	19090	*17480	13100			13070	8200	(31.8)	
3.0 m (10.0 ft)	kg			*15130	12550	*10770	8090	*8770	5660			5600	3480	9.92	
	lb			*33360	27670	*23740	17840	*19330	12480			12350	7670	(32.5)	
1.5 m (5.0 ft)	kg			*17590	11700	*12210	7610	8660	5400	6440	4000	5570	3440	9.88	
	lb			*38780	25790	*26920	16780	19090	11900	14200	8820	12280	7580	(32.4)	
Ground	kg			*18360	11400	12100	7330	8470	5230			5820	3590	9.57	
	lb			*40480	25130	26680	16160	18670	11						

# Lifting Capacity

## R320NLC-9

Rating over-front Rating over-side or 360 degree

Boom : 6.45m (21' 2") / Arm : 2.5 m (8' 2") / Bucket : 1.44 m<sup>3</sup> (1.20 yd<sup>3</sup>) SAE heaped / Shoe : 600mm (24") triple grouser with 6,200kg (13,670 lb) Counterweight

Load point height m (ft)	Load radius										At max. reach			
	3.0 m (10.0 ft)		4.5 m (15.0 ft)		6.0 m (20.0 ft)		7.5 m (25.0 ft)		9.0 m (30.0 ft)		Capacity		Reach	
													m (ft)	
7.5 m (25.0 ft)	kg											*6720	4240	8.34
	lb											*14820	9350	(27.4)
6.0 m (20.0 ft)	kg							*7320	5050			6390	3410	9.19
	lb							*16140	11130			14090	7520	(30.2)
4.5 m (15.0 ft)	kg			*11600	11300	*9120	7100	*7930	4840			5700	2960	9.70
	lb			*25570	24910	*20110	15650	*17480	10670			12570	6530	(31.8)
3.0 m (10.0 ft)	kg			*15130	10060	*10770	6560	8630	4570			5380	2740	9.92
	lb			*33360	22180	*23740	14460	19030	10080			11860	6040	(32.5)
1.5 m (5.0 ft)	kg			*17590	9250	11980	6100	8350	4320	6190	3160	5340	2690	9.88
	lb			*38780	20390	26410	13450	18410	9520	13650	6970	11770	5930	(32.4)
Ground	kg			*18360	8980	11660	5830	8150	4150			5590	2820	9.57
	lb			*40480	19800	25710	12850	17970	9150			12320	6220	(31.4)
-1.5 m (-5.0 ft)	kg	*15010	*15010	*18010	8970	11550	5740	8080	4080			6230	3180	8.97
	lb	*33090	*33090	*39710	19780	25460	12650	17810	8990			13730	7010	(29.4)
-3.0 m (-10.0 ft)	kg	*22800	18590	*16720	9130	11640	5810					7620	3960	7.98
	lb	*50270	40980	*36860	20130	25660	12810					16800	8730	(26.2)
-4.5 m (-15.0 ft)	kg	*19110	*19110	*14080	9490	*10340	6090					*7300	5910	6.42
	lb	*42130	*42130	*31040	20920	*22800	13430					*16090	13030	(21.1)

Boom : 6.45m (21' 2") / Arm : 3.2 m (10' 6") / Bucket : 1.44 m<sup>3</sup> (1.20 yd<sup>3</sup>) SAE heaped / Shoe : 600mm (24") triple grouser with 6,200kg (13,670 lb) Counterweight

Load point height m (ft)	Load radius										At max. reach					
	1.5 m (5.0 ft)		3.0 m (10.0 ft)		4.5 m (15.0 ft)		6.0 m (20.0 ft)		7.5 m (25.0 ft)		9.0 m (30.0 ft)		Capacity		Reach	
															m (ft)	
7.5 m (25.0 ft)	kg									*5240	*5240			*5970	3650	9.06
	lb									*11550	*11550			*13160	8050	(29.7)
6.0 m (20.0 ft)	kg									*6500	5160			5690	2990	9.84
	lb									*14330	11380			12540	6590	(32.3)
4.5 m (15.0 ft)	kg							*8090	7260	*7190	4910	*5440	3440	5120	2610	10.31
	lb							*17840	16010	*15850	10820	*11990	7580	11290	5750	(33.8)
3.0 m (10.0 ft)	kg					*13400	10430	*9820	6670	*8110	4600	6340	3280	4850	2410	10.52
	lb					*29540	22990	*21650	14700	*17880	10140	13980	7230	10690	5310	(34.5)
1.5 m (5.0 ft)	kg					*16400	9410	*11460	6140	8340	4310	6170	3120	4800	2360	10.48
	lb					*36160	20750	*25260	13540	18390	9500	13600	6880	10580	5200	(34.4)
Ground	kg			*10240	*10240	*17910	8920	11620	5780	8090	4080	6030	3000	4980	2440	10.19
	lb			*22580	*22580	*39480	19670	25620	12740	17840	8990	13290	6610	10980	5380	(33.4)
-1.5 m (-5.0 ft)	kg	*11380	*11380	*14470	*14470	*18150	8780	11410	5610	7950	3960			5460	2710	9.63
	lb	*25090	*25090	*31900	*31900	*40010	19360	25150	12370	17530	8730			12040	5970	(31.6)
-3.0 m (-10.0 ft)	kg	*15350	*15350	*19470	17990	*17370	8850	11410	5610	7960	3970			6450	3280	8.74
	lb	*33840	*33840	*42920	39660	*38290	19510	25150	12370	17550	8750			14220	7230	(28.7)
-4.5 m (-15.0 ft)	kg			*21820	18520	*15410	9110	*11430	5780					*7480	4520	7.37
	lb			*48100	40830	*33970	20080	*25200	12740					*16490	9960	(24.2)
-6.0 m (-20.0 ft)	kg					*11340	9660									
	lb					*25000	21300									

Boom : 6.45m (21' 2") / Arm : 4.05 m (13' 3") / Bucket : 1.44 m<sup>3</sup> (1.20 yd<sup>3</sup>) SAE heaped / Shoe : 600mm (24") triple grouser with 6,200kg (13,670 lb) Counterweight

Load point height m (ft)	Load radius										At max. reach					
	1.5 m (5.0 ft)		3.0 m (10.0 ft)		4.5 m (15.0 ft)		6.0 m (20.0 ft)		7.5 m (25.0 ft)		9.0 m (30.0 ft)		Capacity		Reach	
															m (ft)	
7.5 m (25.0 ft)	kg													*5250	3010	10.00
	lb													*11570	6640	(32.8)
6.0 m (20.0 ft)	kg															
	lb															
4.5 m (15.0 ft)	kg							*6270	5060	*5750	3530	4470	2210	11.13		
	lb							*13820	11160	*12680	7780	9850	4870	(36.5)		
3.0 m (10.0 ft)	kg			*18220	*18220	*11250	11040	*8610	6930	*7280	4720	6410	3340	4250	2050	11.32
	lb			*40170	*40170	*24800	24340	*18980	15280	*16050	10410	14130	7360	9370	4520	(37.1)
1.5 m (5.0 ft)	kg			*10440	*10440	*14750	9840	*10470	6320	*8360	4390	6200	3150	4200	2000	11.29
	lb			*23020	*23020	*32520	21690	*23080	13930	*18430	9680	13670	6940	9260	4410	(37.0)
Ground	kg			*10810	*10810	*17060	9090	11730	5870	8130	4110	6020	2980	4330	2050	11.03
	lb			*23830	*23830	*37610	20040	25860	12940	17920	9060	13270	6570	9550	4520	(36.2)
-1.5 m (-5.0 ft)	kg	*9850	*9850	*13390	*13390	*18030	8760	11420	5600	7920	3930	5900	2880	4670	2240	10.52
	lb	*21720	*21720	*29520	*29520	*39750	19310	25180	12350	17460	8660	13010	6350	10300	4940	(34.5)
-3.0 m (-10.0 ft)	kg	*13020	*13020	*16980	*16980	*17900	8710	11310	5510	7840	3860	5890	2870	5350	2630	9.72
	lb	*28700	*28700	*37430	*37430	*39460	19200	24930	12150	17280	8510	12990	6330	11790	5800	(31.9)
-4.5 m (-15.0 ft)	kg	*16670	*16670	*21800	18000	*16680	8850	11390	5580	7920	3930			6710	3410	8.53
	lb	*36750	*36750	*48060	39680	*36770	19510	25110	12300	17460	8660			14790	7520	(28.0)
-6.0 m (-20.0 ft)	kg			*20030	18700	*13950	9210	*10120	5850					*6790	5340	6.71
	lb			*44160	41230	*30750	20300	*22310	12900					*14970	11770	(22.0)

# Lifting Capacity

## R320LC-9 HIGH WALKER

Rating over-front Rating over-side or 360 degree

Boom : 6.45m (21' 2") / Arm : 2.5 m (8' 2") / Bucket : 1.44 m<sup>3</sup> (1.20 yd<sup>3</sup>) SAE heaped / Shoe : 600mm (24") triple grouser with 6,200kg (13,670 lb) Counterweight

Load point height m (ft)	Load radius										At max. reach					
	3.0 m (10.0 ft)		4.5 m (15.0 ft)		6.0 m (20.0 ft)		7.5 m (25.0 ft)		9.0 m (30.0 ft)		Capacity		Reach			
													m (ft)			
7.5 m (25.0 ft)	kg													*6730	5630	8.53
	lb													*14840	12410	(28.0)
6.0 m (20.0 ft)	kg													*7410	6920	9.31
	lb													*16340	15260	(30.5)
4.5 m (15.0 ft)	kg			*12260	*12260	*9420	*9420	*8070	6690					6250	4210	9.76
	lb			*27030	*27030	*20770	*20770	*17790	14750					13780	9280	(32.0)
3.0 m (10.0 ft)	kg			*15720	14150	*11070	9100	*8930	6400	7000	4710			5970	4000	9.93
	lb			*34660	31200	*24410	20060	*19690	14110	15430	10380			13160	8820	(32.6)
1.5 m (5.0 ft)	kg			*17850	13390	*12430	8650	9190	6150					5990	3990	9.84
	lb			*39350	29520	*27400	19070	20260	13560					13210	8800	(32.3)
Ground	kg			*18370	13170	12850	8400	9020	5990					6330	4220	9.48