

STANDARD EQUIPMENT

ISO Standard cabin

All-weather steel cab with 360° visibility
 Safety glass windows
 Rise-up type windshield wiper
 Sliding fold-in front window
 Sliding side window(LH)
 Lockable door
 Hot & cool box
 Storage compartment & Ashtray
 Radio & USB player
 Handsfree mobile phone system with USB
 Transparent cabin roof-cover
 12 volt power outlet (24V DC to 12V DC converter)
 Sun visor

Computer aided power optimization (New CAPO) system

3-power mode, 2-work mode, User mode
 Auto deceleration & one-touch deceleration system
 Auto warm-up system
 Auto overheat prevention system

Automatic climate control

Air conditioner & heater
 Defroster

Self-diagnostics system

Starting Aid (air grid heater) for cold weather

Centralized monitoring

LCD display
 Engine speed or Trip meter/Accel.
 Clock
 Gauges
 Fuel level gauge
 Engine coolant temperature gauge
 Hyd. oil temperature gauge
 Warnings
 Check engine
 Overload
 Communication error
 Low battery
 Air cleaner clogging
 Indicators
 Max power
 Low speed/High speed
 Fuel warmer
 Auto idle

Door and cab locks, one key

Three outside rearview mirrors

Mechanical suspension seat with heater

Pilot-operated slidable joystick

Console box height adjust system

Four front working lights

Electric horn

Batteries (2 x 12V x 100 AH)

Battery master switch

Removable clean-out dust net for cooler

Automatic swing brake

Fuel pre-filter

Boom holding system

Arm holding system

Track shoes (600mm, 24")

Track rail guard

Accumulator for lowering work equipment

Electric transducer

Lower frame under cover (Normal)

Viscous fan clutch

OPTIONAL EQUIPMENT

Fuel filler pump (35 L/min)

Beacon lamp

Safety lock valve for boom cylinder with overload warning device

Safety lock valve for arm cylinder

Single-acting piping kit (breaker, etc.)

Double-acting piping kit (clamshell, etc.)

Quick coupler

Travel alarm

Booms

4.1m, 13' 5"

4.6m, 15' 1"

4.9m, 16' 1"

Arms

1.9m, 6' 3"

2.1m, 6' 11"

2.5m, 8' 2"

3.0m, 9' 10"

Cabin FOPS/FOG (ISO/DIS 10262 Level II)

FOPS (Falling Object Protective Structure)

FOG (Falling Object Guard)

Cabin ROPS (ISO 12117-2)

ROPS (Roll-over Protective Structure)

Cabin roof-steel cover

Cabin lights

Cabin front window rain guard

Track shoes

Triple grousers shoe (500mm, 20")

Triple grousers shoe (700mm, 28")

Triple grousers shoe (800mm, 32"), R140LCM-9A

Double grousers shoe (710mm, 28"), R140LCM-9A

Single grousers shoe (960mm, 38"), R140LCM-9A

R140LCD-9A Blade : 550mm(1' 8") x 2,500mm(8' 2")

550mm(1' 8") x 2,600mm(8' 6")

Lower frame under cover(Additional)

Tool kit

Rearview camera

Seat

Adjustable air suspension seat with heater

Pattern change valve (2 patterns)

Hi-mate (Remote Management System)

Rear work lamp

* Standard and optional equipment may vary. Contact your Hyundai dealer for more information. The machine may vary according to International standards.

* The photos may include attachments and optional equipment that are not available in your area.

* Materials and specifications are subject to change without advance notice.

* All imperial measurements rounded off to the nearest pound or inch.

PLEASE CONTACT

 **HYUNDAI**
 HEAVY INDUSTRIES CO.,LTD.
CONSTRUCTION EQUIPMENT

Head Office
 1000 BANGGEOJINSUNHWAN-DORO, DONG-GU, ULSAN, 682-792, KOREA
 TEL:(82)52-202-7722, 9807 FAX:(82)52-202-7720

Robex

140LC-9A

With Tier 4 Interim Engine installed

MOVING YOU FURTHER

HYUNDAI HEAVY INDUSTRIES



*Photo may include optional equipment.

 **HYUNDAI**
 HEAVY INDUSTRIES CO.,LTD.

PRIDE AT WORK

Hyundai Heavy Industries strives to build state-of-the-art earthmoving equipment to give every operator maximum performance, more precision, versatile machine preferences, and proven quality.

Take pride in your work with Hyundai!

Robex 140LC-9A

Machine Walk-Around

Engine Technology

Proven, reliable, fuel efficient, low emission and low noise
Perkins Tier 4 interim & EU stage III B engine

Hydraulic System Improvements

New patented hydraulic control for improved controllability / Improved control valve design for added efficiency and smoother operation / New auto boom and swing priority system for optimum speed / New auto power boost feature for additional power when needed / Improved arm-in and boom-down flow regeneration system for added speed and efficiency

Pump Compartment

Industry-leading, powerful, reliable Kawasaki designed, variable volume in-line axial piston pumps
New compact solenoid block equipped with 4 solenoid valves, 1 EPPR valve, 1 check valve accumulator and pilot filter - controls 2 speed travel, power boost, boom priority, safety lock, arm regeneration

Enhanced Operator Cab

Improved Visibility

Enlarged cab with improved visibility / See-through upper skylight for visibility and ventilation
Larger right-side glass, now one piece, for better right visibility
Safety glass windows on all sides - less expensive than (polycarbonate) and won't scratch or fade
Closeable sunshade for operator convenience / Reduced front window seam for improved operator view

Improved Cab Construction

New steel tube construction for added operator safety, protection and durability
New window open/close mechanism designed with cable and spring lift assist and single latch release

Improved Suspension Seat / Console Assembly

Ergonomic joysticks with auxiliary control buttons for attachment use. Now with new sleek styling
Heated suspension (standard) or optional air ride suspension with heat
New joystick consoles - now adjustable in height by pushing the button
Integrated seat with consoles - reduce the operator fatigue

Advanced 7" Color Cluster with Touch Screen

New Color LCD Display with easy to read digital gauges for hydraulic oil temperature, water temperature, and fuel. Simplified design makes adjustment and diagnostics easier. Also, new enhanced features such as rear-view camera are integrated into monitor.
3 power modes : (P) Power, (S) Standard, (E) Economy, 2 work modes : Dig & Attachment, (U) User mode for operator preference
Enhanced self-diagnostic features with GPS download capability
One pump flow or two pump flow for optional attachment is now selectable through the cluster /
New anti-theft system with password capability
Boom speed and arm regeneration are selectable through the monitor.
Auto power boost is now available - selectable (on/off) through the monitor.
Powerful air conditioning and heat with auto climate control

RMS

(Remote Management System) works through GPS/satellite technology to ultimately provide better customer service and support.

Undercarriage

Sealed track chain (urethane seals) / Standard track rail guard / Comfortable bolt-on steps
Large upper roller cut-outs for debris clean-out / Tapered side frames for debris clean-out / Grease-type track tensioner

*Photo may include optional equipment.

PRECISION

Innovative hydraulic system technologies make the 9A series excavator fast, smooth and easy to control.



*Photo may include optional equipment.

Computer Aided Power

The engine horsepower and hydraulic horsepower together in unison through the advanced CAPO(Computer Aided Power Optimization) system, flow for the job at hand. Operator can set their own preferences for boom or swing priority, power mode selection and optional work tools at the touch of a button.

The CAPO system also provides complete self diagnostic features and digital gauges for important information like hydraulic oil temperature, water temperatures and fuel level. This system interfaces with multiple sensors placed throughout the hydraulic system as well as the electronically controlled engine to provide the optimum level of engine power and hydraulic flow.

Power Mode

P (Power Max) mode maximizes machine speed and power for mass production. S (Standard) mode provides a reduced, fixed rpm for optimum performance and improved fuel economy. For maximum fuel savings and improved control, E (Economy) mode provides precise flow and engine power based on load demand. Three unique power modes provide the operator with custom power, speed and fuel economy.

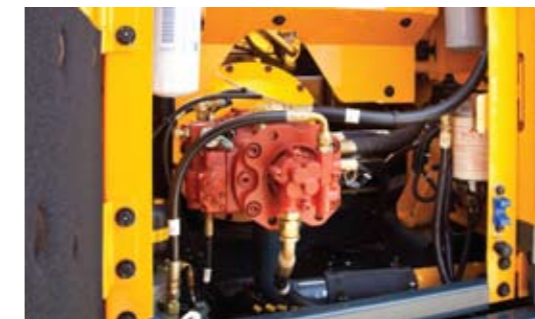
Work Mode

The work mode allows the operator to select single flow attachments like a hydraulic breaker or bi-directional flow attachments like a crusher. Flow settings unique to each attachment can be programmed from within the cluster.

User Mode

Some jobs require more precise machine settings. Using the versatile U (User) mode, the operator can customize engine speed, pump output, idle speed and other machine settings for the job at hand.

Improved Hydraulic System



To achieve optimum precision, Hyundai redesigned the hydraulic system to provide the operator with super fine touch and improved controllability. Improved pump flow control reduces flow when controls are not being used to minimize fuel consumption.

Improved spool valves in the control valve are engineered to provide more precise flow to each function with less effort.

Improved hydraulic valves, precision-designed variable volume piston pumps, fine-touch pilot controls, and enhanced travel functions make any operator running a 9A series look like a smooth operator. Newly improved features

include arm-in and boom-down flow regeneration, improved control valve technology and innovative auto boom and swing priority for optimal performance in any application.



Auto Boom-swing Priority

This smart function automatically and continuously looks the ideal hydraulic flow balance for the boom and swing motions of the machine. The advanced CAPO system monitors the hydraulic system and adjusts its settings to maximize performance and productivity.

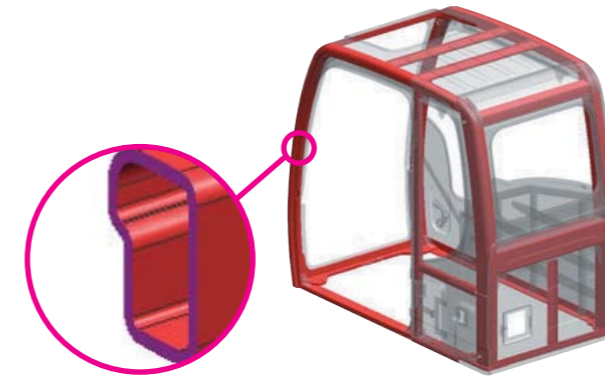
PERFORMANCE

9A series is designed for maximum performance to keep the operator working productively.



Track Rail Guard & Adjusters

Durable track rail guards keep track links in place. Track adjustment is made easy with standard grease cylinder track adjusters and shock absorbing springs.



Structure Strength

The 9A series cabin structure has been fitted with stronger but slimmer tubing for more safety and improved visibility. Low-stress, high strength steel is integrally welded to form a stronger, more durable upper and lower frame. Structural integrity was tested by way of FEM (Finite Elements Method) analysis and long-term durability tests.

The optional ROPS(Roll Over Protective Structure) cab can be equipped to enhance operator safety.



Perkins 1204E Engine

Tier 4 interim, four cylinder, 4 cycle, turbo-charged, charge air cooled Perkins 1204E engine provides maximum power, reliability, optimum fuel economy, and reduced emissions. Electronically controlled fuel injection and diagnostic capabilities add to the engines efficiency and serviceability.

Better Performance

Using DPF (Diesel Particulate Filter) enables uncompromised, fuel economy and reduced cooling pack size, because the engine calibration does not solely need to be focussed on low particulates. By using mainly passive regeneration and low back pressure aftertreatment designs fuel economy is not negatively impacted.

Integrated aftertreatment without operating impact

The 1204E engines have fully transparent regeneration strategies and service free DPF, completely seamless to the operator.

One solution for all regions

Area mandating the use of DPF are increasing and european air quality directive will drive more non-attainment zones. Because our products use DPFs, our customers don't have to offer a retrofit DPF option to allow machines to operate in these territories.

Easy to maintain engine components

The cooling and preheating system are provided for optimum and immediate operation, guaranteeing longer life for the engine and hydraulic components.

Servicing of the engine and hydraulics is considerably simplified due to total accessibility.

PREFERENCE

Operating a 9A series is unique to every operator. Operators can fully customize their work environment and operating preferences to fit their individual needs.



*Photo may include optional equipment.



Wide Cabin with Excellent Visibility

The newly designed cabin was conceived for more space, a wider field of view and operator comfort. Special attention was given to a clear, open and convenient interior with plenty of visibility on the machine surroundings and the job at hand. This well balanced combination of precision aspects put the operator in the perfect position to work safely and securely.

Operator Comfort

In 9A series cabin you can easily adjust the seat, console and armrest settings to best suit your comfort level. The seat suspension and reduce operator's fatigue. New joystick consoles are adjustable in height by pushing the button. Other preference settings that add to overall operator comfort include the fully automatic high capacity airconditioning system, transparent polycarbonate glass sun roof, large and easy to control sun visor, and the Radio / USB player.



Reduced Stress

Work is stressful enough. Your work environment should be stress free. Hyundai's 9A series provides improved cab amenities, additional space and a comfortable seat to minimize stress to the operator. A powerful climate control system provides the operator with optimum air temperature. An advanced audio system with USB player, AM/FM stereo and MP3 capabilities, plus remotely located controls is perfect for listening to music favorites.

Operators can even talk on the phone with the hands-free cell phone feature. Also, the newly designed optional remote control offers mobile bluetooth-handsfree and radio cable-handsfree function.



Smart Key System (Option)

9A series excavators provide smart key system as an option. This allows the operator to start the engine by the push of a starter button without inserting a key in the ignition.



Operator - Friendly Cluster

The advanced new cluster with 7 inch wide color LCD with touch screen and toggle switch allows the operator to select his personal machine preferences. Power and work mode selection, self diagnostics, optional rear-view camera, maintenance check lists, start-up machine security, and video functions were integrated into the cluster to make the machine more versatile and the operator more productive.

The newly applied FM transmitter application transmits signal to USB & Radio player with the same frequency as cluster. The player outputs the audio through the internal speaker in the cab. The video & firmware updates are possible with USB host support and an adjustable cluster hinge bracket improves cluster visibility.

Monitor Tilt Range



Horizontal
Total : 15°



Vertical
Total : 30°



PROFITABILITY

9A series is designed to maximize profitability through improved efficiencies, enhanced service features and longer life components.



*Photo may include optional equipment.

Fuel Efficiency

9A series excavators are engineered to be extremely fuel efficient. New innovations like the variable speed fan clutch, two-stage auto decel system and the new economy mode help to conserve fuel and reduce the impact on the environment.



Hi-mate (Remote Management System)

Hi-mate, Hyundai's proprietary remote management system, provides operators and dealer service personnel access to vital service and diagnostic information on the machine from any computer with internet access. Users can pinpoint machine location using digital mapping and set machine work boundaries, reducing the need for multiple service calls. Hi-mate saves time and money for the owner and dealer by promoting preventative maintenance and reducing machine downtime.



Easy Access

Ground-line access to filters, lube fittings, fuses, machine computer components and wide open compartments makes service more convenient on the 9A series.



Long-Life Components

9A series excavators were designed with bushings designed for long-life lube intervals (250 hrs) & polymer shims (wear resistant, noise reducing), long-life hydraulic filters (1,000hrs), long-life hydraulic oil (5,000hrs), more efficient cooling systems and integrated preheating systems which extend service intervals, minimize operating costs and reduce machine down time.

Specifications

ENGINE

| | | | |
|----------------------------|--|--------------------------------|--|
| MODEL | Perkins 1204E | | |
| Type | Water cooled, 4 cycle Diesel, 4-cylinders in line, direct injection, turbocharged charger and air cooled | | |
| Rated flywheel horse power | SAE | J1995 (gross) J1349 (net) | 124 HP (92.7 kW)/ 1,950 rpm 116 HP (88 kW)/ 1,950 rpm |
| | DIN | 6271/1 (gross) 6271/1 (net) | 126 PS (92.7 kW)/ 1,950 rpm 118 PS (87 kW)/ 1,950 rpm |
| Max. torque | 54 kgf-m (391 lbf-ft)/ 1,400 rpm | | |
| Bore X stroke | 105 x 127 mm (4.13" x 5.0") | | |
| Piston displacement | 4,400cc (268 in ³) | | |
| Batteries | 2 X 12V X 80AH | | |
| Starting motor | 24V- 4.5 kW | | |
| Alternator | 24V- 85 Amp | | |

HYDRAULIC SYSTEM

| | |
|----------------------------|--|
| MAIN PUMP | |
| Type | Variable displacement piston pumps |
| Rated flow | 2 X 130L/min (34.3 US gpm / 28.6 UK gpm) |
| Sub-pump for pilot circuit | Gear pump |

Cross-sensing and fuel saving pump system.

| | |
|------------------|--|
| HYDRAULIC MOTORS | |
| Travel | Two speed axial pistons motor with brake valve and parking brake |
| Swing | Axial piston motor with automatic brake |

| | |
|---------------------------------|-------------------------------------|
| RELIEF VALVE SETTING | |
| Implement circuits | 350 kgf/cm ² (4,978 psi) |
| Travel | 350 kgf/cm ² (4,978 psi) |
| Power boost (boom, arm, bucket) | 380 kgf/cm ² (5,404 psi) |
| Swing circuit | 285 kgf/cm ² (4,054 psi) |
| Pilot circuit | 40 kgf/cm ² (568 psi) |
| Service valve | Installed |

| | |
|-------------------------------|---|
| HYDRAULIC CYLINDERS | |
| No. of cylinder bore X stroke | Boom: 2-105 X 1,075 mm (4.1" X 42.3") |
| | Arm: 1-115 X 1,138 mm (4.5" X 44.8") |
| | Bucket: 1-100 X 840 mm (3.9" X 33.1") |
| | Blade: 2-100 X 250 mm (3.9" X 9.8") |
| | 2-PCS boom : 2-105 X 975 mm (4.1" X 38.4") |
| | Adjust(boom): 1-145 X 613 mm (5.7" X 24.1") |

DRIVES & BRAKES

| | |
|---------------------------------|---|
| Drive method | Fully hydrostatic type |
| Drive motor | Axial piston motor, in-shoe design |
| Reduction system | Planetary reduction gear |
| Max. drawbar pull | 13,300 kgf (29,320 lbf) |
| Max. travel speed(high) / (low) | 5.4 km/hr (3.4 mph) / 3.2 km/hr (2.0 mph) |
| Gradeability | 35° (70 %) |
| Parking brake | Multi wet disc |

CONTROL

Pilot pressure operated joysticks and pedals with detachable lever provide almost effortless and fatigueless operation.

| | |
|------------------------|---|
| Pilot control | Two joysticks with one safety lever (LH): Swing and arm, (RH): Boom and bucket(ISO) |
| Traveling and steering | Two levers with pedals |
| Engine throttle | Electric, Dial type |

SWING SYSTEM

| | |
|---------------------------|--|
| Swing motor | Fixed displacement axial pistons motor |
| Swing reduction | Planetary gear reduction |
| Swing bearing lubrication | Grease-bathed |
| Swing brake | Multi wet disc |
| Swing speed | 11.7 rpm |

COOLANT & LUBRICANT CAPACITY

| | | | |
|----------------------------------|-------|--------|--------|
| Refilling | liter | US gal | UK gal |
| Fuel tank | 270.0 | 71.3 | 59.4 |
| Engine coolant | 15.5 | 4.1 | 3.4 |
| Engine oil | 10.5 | 2.8 | 2.3 |
| Swing device-gear oil | 2.5 | 0.66 | 0.55 |
| Final drive(each)-gear oil | 2.2 | 0.6 | 0.5 |
| Hydraulic system(including tank) | 210.0 | 55.5 | 46.2 |
| Hydraulic tank | 124.0 | 32.8 | 27.3 |

UNDERCARRIAGE

The X-leg type center frame is integrally welded with reinforced box-section track frames. The undercarriage includes lubricated rollers, idlers, track adjusters with shock absorbing springs and sprockets, and a track chain with double or triple grouser shoes.

| | | |
|------------------------------------|---------------------|-----------|
| | R140LC/LCD-9 | R140LCM-9 |
| Center frame | X - leg type | |
| Track frame | Pentagonal box type | |
| No. of shoes on each side | 46 | 47 |
| No. of carrier roller on each side | 1 | 2 |
| No. of track roller on each side | 7 | 7 |
| No. of rail guard on each side | 1 | 1 |

OPERATING WEIGHT (APPROXIMATE)

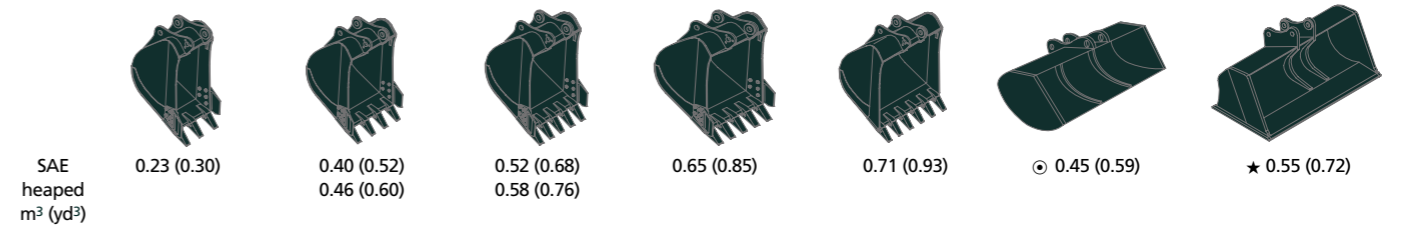
Operating weight, including 4,600mm (15' 1") boom, 2,500mm (8' 2") arm, SAE heaped 0.58m³ (0.76 yd³) bucket, lubricant, coolant, full fuel tank, full hydraulic tank, and all standard equipments.

| | |
|--------------------------|---------------------|
| MAJOR COMPONENT WEIGHT | |
| Upperstructure | 3,820 kg (8,422 lb) |
| Boom (with Arm cylinder) | 1,030 kg (2,270 lb) |

| | | | | |
|------------------|---------------|------------------|----------------|---------------------------|
| OPERATING WEIGHT | | | | |
| Shoes | | Operating weight | | Ground pressure |
| Type | Width mm (in) | kg(lb) | | kgf/cm ² (psi) |
| Triple grouser | 500 mm (20") | R140LC-9A | 13,790(30,400) | 0.43(6.11) |
| | | R140LCD-9A | 14,590(32,160) | 0.45(6.40) |
| | 600 mm (24") | R140LC-9A | 13,980(30,820) | 0.36(5.12) |
| | | R140LCD-9A | 14,800(32,630) | 0.38(5.40) |
| Double grouser | 700 mm (28") | R140LC-9A | 14,210(31,330) | 0.32(4.55) |
| | 800 mm (32") | R140LCM-9A | 16,880(37,210) | 0.32(4.55) |
| Single grouser | 710 mm (28") | R140LCM-9A | 16,880(37,210) | 0.36(5.12) |
| | 960 mm (38") | R140LCM-9A | 17,110(37,720) | 0.27(3.84) |

BUCKETS

All buckets are welded with high-strength steel.



| Capacity m ³ (yd ³) | | Width mm (in) | | Weight kg (lb) | Recommendation mm (ft-in) | | | | | | | | |
|--|-------------|---------------------|------------------|----------------|---------------------------|--------------------|-------------------|---------------------|-------------------|--------------------------------|-------------------|--------------------|-------------------|
| SAE heaped | CECE heaped | Without sidecutters | With sidecutters | | 4,600 (15' 1") Boom | | | 4,100 (13' 5") Boom | | 4,900 (16' 1") Adjustable Boom | | | |
| | | | | | 1,900 (6' 3") Arm | 2,100 (6' 11") Arm | 2,500 (8' 2") Arm | 3,000 (9' 10") Arm | 1,900 (6' 3") Arm | 2,100 (6' 11") Arm | 1,900 (6' 3") Arm | 2,100 (6' 11") Arm | 2,500 (8' 2") Arm |
| 0.23 (0.30) | 0.20(0.26) | 520(20.5) | 620(24.4) | 335(740) | ● | ● | ● | ■ | ● | ● | ● | ● | ● |
| 0.40 (0.52) | 0.35(0.46) | 760(29.9) | 860(33.9) | 410(900) | ● | ● | ● | ■ | ● | ● | ● | ● | ● |
| 0.46 (0.60) | 0.40(0.52) | 850(33.5) | 950(37.4) | 435(960) | ● | ● | ● | ▲ | ● | ● | ● | ● | ■ |
| 0.52 (0.68) | 0.45(0.59) | 935(36.8) | 1,035(40.8) | 460(1,010) | ● | ● | ● | — | ● | ● | ● | ■ | ■ |
| 0.58 (0.76) | 0.50(0.65) | 1,030(40.6) | 1,130(44.5) | 480(1,060) | ● | ● | ■ | — | ● | ● | ■ | ▲ | ▲ |
| 0.65 (0.85) | 0.55(0.72) | 1,110(43.7) | 1,210(47.6) | 500(1,100) | ■ | ■ | ▲ | — | ● | ■ | ▲ | ▲ | — |
| 0.71 (0.93) | 0.60(0.78) | 1,205(47.4) | - | 540(1,190) | ▲ | ▲ | — | — | ■ | ▲ | ▲ | — | — |
| ◎ 0.45 (0.59) | 0.40(0.52) | 1,520(59.8) | - | 410(900) | ● | ● | ■ | — | ● | ● | ■ | ■ | ▲ |
| ★ 0.55 (0.72) | 0.45(0.59) | 1,800(70.9) | - | 585(1,290) | ■ | ■ | ▲ | — | ● | ● | ■ | ▲ | ▲ |

◎ Ditching bucket

★ Slope finishing bucket

●: Applicable for materials with density of 2,000 kg /m³ (3,370 lb/ yd³) or less

■: Applicable for materials with density of 1,600 kg /m³ (2,700 lb/ yd³) or less

▲: Applicable for materials with density of 1,100 kg /m³ (1,850 lb/ yd³) or less

ATTACHMENT

Booms and arms are welded, a low-stress, full-box section design. 4.1m, 4.6m mono booms and 4.9m adjustable boom and 1.9m, 2.1m, 2.5m, 3.0m arms are available.

DIGGING FORCE

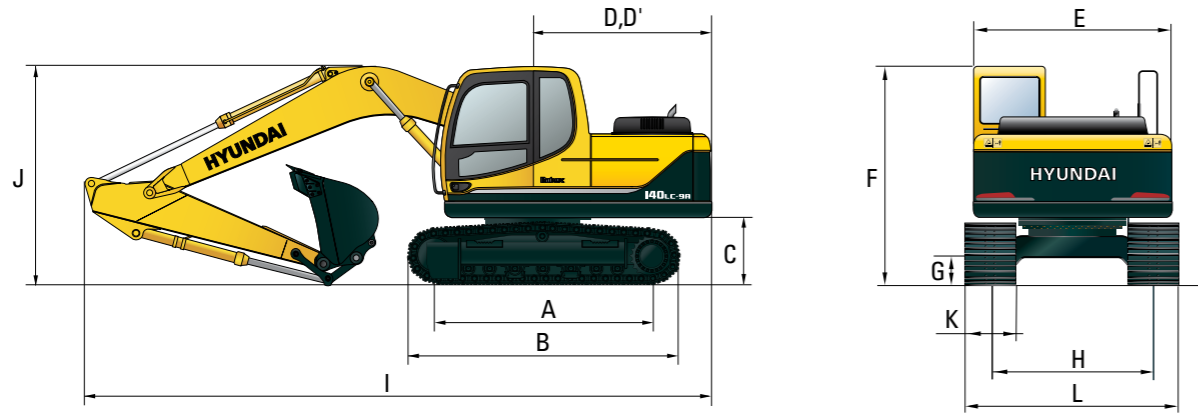
| Boom | Length | mm (ft-in) | 4,600 (15' 1") | | | | Remarks | | | | |
|----------------------|--------|------------|----------------|--|----------------|--|----------------|--|----------------|--|------------------|
| | | | Weight | | 1,030 (2,270) | | | | | | |
| Arm | Length | mm (ft-in) | 1,900 (6' 3") | | 2,100 (6' 11") | | 2,500 (8' 2") | | 3,000 (9' 10") | | |
| | | | Weight | | 560 (1,230) | | 580 (1,280) | | 610 (1,340) | | 670 (1,480) |
| Bucket digging force | SAE | kN | 87.3[94.8] | | 87.3[94.8] | | 87.3[94.8] | | 87.3[94.8] | | []: Power Boost |
| | | kgf | 8,900[9,660] | | 8,900[9,660] | | 8,900[9,660] | | 8,900[9,660] | | |
| | | lbf | 19,620[21,300] | | 19,620[21,300] | | 19,620[21,300] | | 19,620[21,300] | | |
| | ISO | kN | 102[110.8] | | 102[110.8] | | 102[110.8] | | 102[110.8] | | |
| | | kgf | 10,400[11,290] | | 10,400[11,290] | | 10,400[11,290] | | 10,400[11,290] | | |
| | | lbf | 22,930[24,890] | | 22,930[24,890] | | 22,930[24,890] | | 22,930[24,890] | | |
| Arm crowd force | SAE | kN | 76.5[83.1] | | 73.6[79.9] | | 62.8[68.2] | | 55.9[60.7] | | |
| | | kgf | 7,800[8,470] | | 7,500[8,140] | | 6,400[6,950] | | 5,700[6,190] | | |
| | | lbf | 17,200[18,670] | | 16,530[17,950] | | 14,110[15,320] | | 12,570[13,640] | | |
| | ISO | kN | 80.4[87.3] | | 77.5[84.1] | | 65.7[71.4] | | 57.9[62.8] | | |
| | | kgf | 8,200[8,900] | | 7,900[8,580] | | 6,700[7,270] | | 5,900[6,410] | | |
| | | lbf | 18,080[19,630] | | 17,420[18,910] | | 14,770[16,040] | | 13,010[14,120] | | |

Note: Boom weight includes arm cylinder, piping, and pin

Arm weight includes bucket cylinder, linkage, and pin

Dimensions & Working Range

R140LC-9A DIMENSIONS

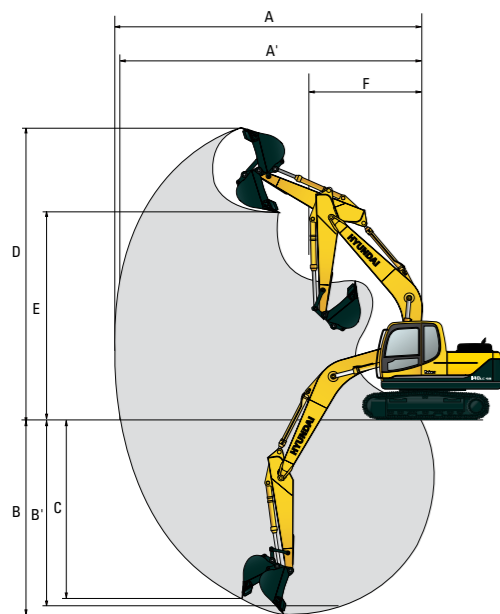


Unit : mm (ft-in)

| | | | | | | | | |
|--|----------------|---------------------------------|----------------|----------------|----------------|----------------|----------------|----------------|
| A Tumbler distance | 3,000 (9' 10") | Boom length | 4,600 (15' 1") | | | | 4,100 (13' 5") | |
| B Overall length of crawler | 3,750 (12' 4") | Arm length | 1,900 (6' 3") | 2,100 (6' 11") | 2,500 (8' 2") | 3,000 (9' 10") | 1,900 (6' 3") | 2,100 (6' 11") |
| C Ground clearance of counterweight | 940 (3' 1") | I Overall length | 7,820 (25' 7") | 7,850 (25' 8") | 7,820 (25' 7") | 7,790 (25' 6") | 7,320 (24' 0") | 7,350 (24' 1") |
| D Tail swing radius | 2,330 (7' 7") | J Overall height of boom | 2,650 (8' 7") | 2,760 (9' 0") | 2,780 (9' 1") | 3,110 (10' 2") | 2,600 (8' 5") | 2,790 (9' 2") |
| D' Rear-end length | 2,330 (7' 7") | K Track shoe width | 500 (20") | 600 (24") | 700 (28") | | | |
| E Overall width of upperstructure | 2,500 (8' 2") | L Overall width | 2,500 (8' 2") | 2,600 (8' 6") | 2,700 (8' 10") | | | |
| F Overall height of cab | 2,860 (9' 4") | | | | | | | |
| G Min. ground clearance | 440 (1' 5") | | | | | | | |
| H Track gauge | 2,000 (6' 7") | | | | | | | |

R140LC-9A WORKING RANGE

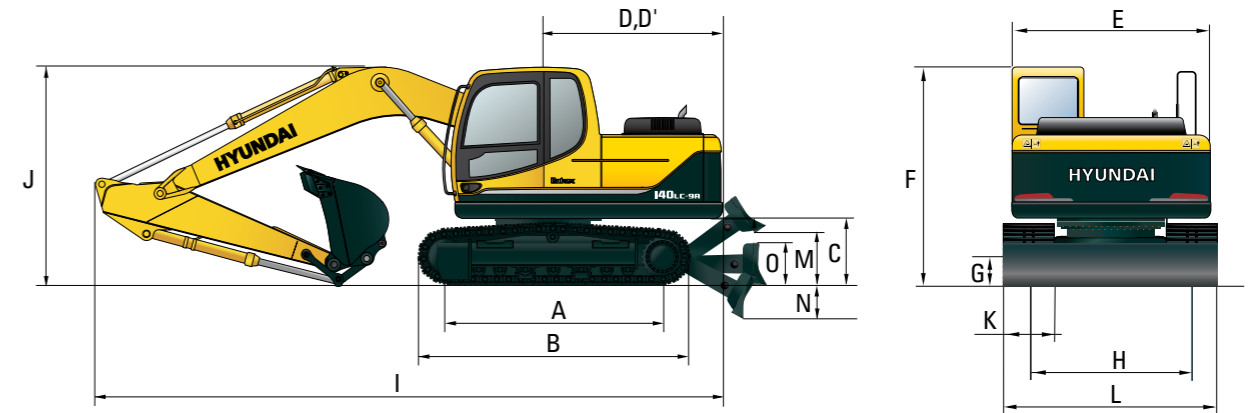
Unit : mm (ft-in)



| | | | | | | |
|---|-----------------|-----------------|-----------------|-----------------|-----------------|-----------------|
| Boom length | 4,600 (15' 1") | | | | 4,100 (13' 5") | |
| Arm length | 1,900 (6' 3") | 2,100 (6' 11") | 2,500 (8' 2") | 3,000 (9' 10") | 1,900 (6' 3") | 2,100 (6' 11") |
| A Max. digging reach | 7,750 (25' 5") | 7,920 (25' 11") | 8,330 (27' 4") | 8,790 (28' 10") | 7,260 (23' 10") | 7,420 (24' 4") |
| A' Max. digging reach on ground | 7,600 (24' 11") | 7,770 (25' 6") | 8,180 (26' 10") | 8,650 (28' 4") | 7,090 (23' 3") | 7,260 (23' 10") |
| B Max. digging depth | 4,950 (16' 2") | 5,150 (16' 10") | 5,550 (18' 3") | 6,050 (19' 10") | 4,540 (14' 11") | 4,740 (15' 7") |
| B' Max. digging depth (8' level) | 4,680 (15' 4") | 4,900 (16' 1") | 5,340 (17' 6") | 5,870 (19' 3") | 4,280 (14' 1") | 4,490 (14' 9") |
| C Max. vertical wall digging depth | 4,650 (15' 3") | 4,900 (16' 1") | 5,330 (17' 6") | 5,850 (19' 2") | 4,240 (13' 11") | 4,350 (14' 3") |
| D Max. digging height | 8,100 (26' 7") | 8,180 (26' 10") | 8,500 (27' 11") | 8,780 (28' 10") | 7,700 (25' 3") | 7,770 (25' 6") |
| E Max. dumping height | 5,670 (18' 7") | 5,750 (18' 10") | 6,060 (19' 11") | 6,330 (20' 9") | 5,260 (17' 3") | 5,340 (17' 6") |
| F Min. swing radius | 2,630 (8' 8") | 2,670 (8' 9") | 2,650 (8' 8") | 2,680 (8' 10") | 2,350 (7' 9") | 2,460 (8' 1") |

Dimensions & Working Range

R140LCD-9A DIMENSIONS

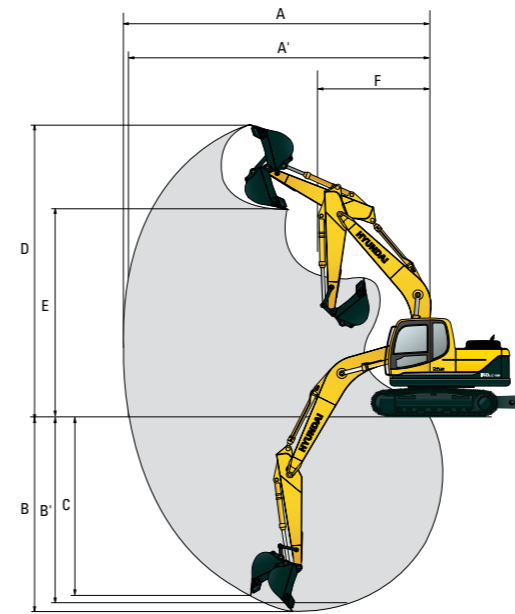


Unit : mm (ft-in)

| | | | | | | | | |
|--|-----------------------------|---------------------------------|----------------|----------------|----------------|----------------|----------------|----------------|
| A Tumbler distance | 3,000 (9' 10") | Boom length | 4,600 (15' 1") | | | | 4,100 (13' 5") | |
| B Overall length of crawler | 3,750 (12' 4") | Arm length | 1,900 (6' 3") | 2,100 (6' 11") | 2,500 (8' 2") | 3,000 (9' 10") | 1,900 (6' 3") | 2,100 (6' 11") |
| C Ground clearance of counterweight | 940 (3' 1") | I Overall length | 8,130 (26' 7") | 8,160 (26' 7") | 8,130 (26' 7") | 8,100 (26' 6") | 7,630 (25' 0") | 7,660 (25' 1") |
| D Tail swing radius | 2,330 (7' 7") | J Overall height of boom | 2,650 (8' 7") | 2,760 (9' 0") | 2,780 (9' 1") | 3,110 (10' 2") | 2,600 (8' 5") | 2,790 (9' 2") |
| D' Rear-end length | 2,330 (7' 7") | K Track shoe width | 500 (20") | 600 (24") | 700 (28") | | | |
| E Overall width of upperstructure | 2,500 (8' 2") | L Overall width | 2,500 (8' 2") | 2,600 (8' 6") | 2,700 (8' 10") | | | |
| F Overall height of cab | 2,860 (9' 4") | | | | | | | |
| G Min. ground clearance | 440 (1' 5") | | | | | | | |
| H Track gauge | 2,000 (6' 7") | | | | | | | |
| M Ground clearance of blade up | 560 (1' 8") | | | | | | | |
| N Depth of blade down | 500 (1' 6") | | | | | | | |
| O Height of blade | 550 (1' 8") | | | | | | | |
| Width of blade | 2,500 (8' 2") 2,600 (8' 6") | | | | | | | |

R140LCD-9A WORKING RANGE

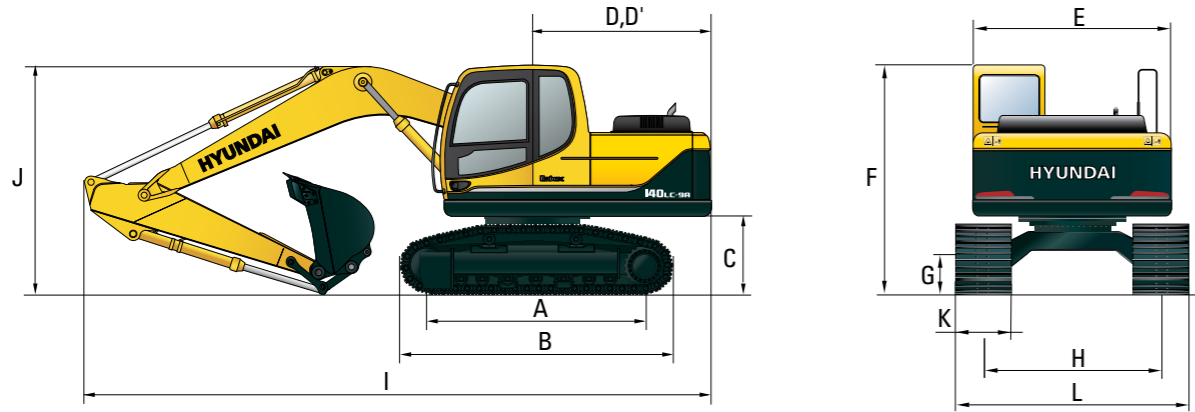
Unit : mm (ft-in)



| | | | | | | |
|---|-----------------|-----------------|-----------------|-----------------|-----------------|-----------------|
| Boom length | 4,600 (15' 1") | | | | 4,100 (13' 5") | |
| Arm length | 1,900 (6' 3") | 2,100 (6' 11") | 2,500 (8' 2") | 3,000 (9' 10") | 1,900 (6' 3") | 2,100 (6' 11") |
| A Max. digging reach | 7,750 (25' 5") | 7,920 (25' 11") | 8,330 (27' 4") | 8,790 (28' 10") | 7,260 (23' 10") | 7,420 (24' 4") |
| A' Max. digging reach on ground | 7,600 (24' 11") | 7,770 (25' 6") | 8,180 (26' 10") | 8,650 (28' 4") | 7,090 (23' 3") | 7,260 (23' 10") |
| B Max. digging depth | 4,950 (16' 2") | 5,150 (16' 10") | 5,550 (18' 3") | 6,050 (19' 10") | 4,540 (14' 11") | 4,740 (15' 7") |
| B' Max. digging depth (8' level) | 4,680 (15' 4") | 4,900 (16' 1") | 5,340 (17' 6") | 5,870 (19' 3") | 4,280 (14' 1") | 4,490 (14' 9") |
| C Max. vertical wall digging depth | 4,650 (15' 3") | 4,900 (16' 1") | 5,330 (17' 6") | 5,850 (19' 2") | 4,240 (13' 11") | 4,350 (14' 3") |
| D Max. digging height | 8,100 (26' 7") | 8,180 (26' 10") | 8,500 (27' 11") | 8,780 (28' 10") | 7,700 (25' 3") | 7,770 (25' 6") |
| E Max. dumping height | 5,670 (18' 7") | 5,750 (18' 10") | 6,060 (19' 11") | 6,330 (20' 9") | 5,260 (17' 3") | 5,340 (17' 6") |
| F Min. swing radius | 2,630 (8' 8") | 2,670 (8' 9") | 2,650 (8' 8") | 2,680 (8' 10") | 2,350 (7' 9") | 2,460 (8' 1") |

Dimensions & Working Range

R140LCM-9A DIMENSIONS

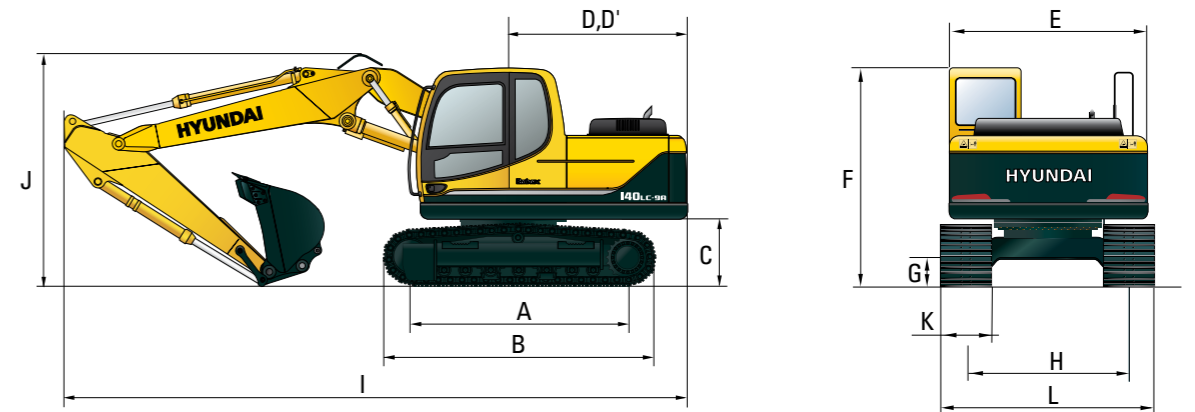


Unit : mm (ft-in)

| | | | | | | |
|-------------------------------------|----------------|--------------------------|----------------|----------------|----------------|----------------|
| A Tumbler distance | 3,030 (9' 11") | Boom length | 4,600 (15' 1") | | | |
| B Overall length of crawler | 3,860 (12' 4") | Arm length | 1,900 (6' 3") | 2,100 (6' 11") | 2,500 (8' 2") | 3,000 (9' 10") |
| C Ground clearance of counterweight | 1,200 (3' 9") | I Overall length | 7,770 (25' 5") | 7,830 (25' 7") | 7,790 (25' 6") | 7,860 (25' 8") |
| D Tail swing radius | 2,330 (7' 7") | J Overall height of boom | 2,750 (9' 0") | 2,860 (9' 4") | 2,830 (9' 3") | 3,120 (10' 2") |
| D' Rear-end length | 2,330 (7' 7") | K Track shoe width | Type | Double grouser | Triple grouser | Single grouser |
| E Overall width of upperstructure | 2,500 (8' 2") | | Width | 710 (28") | 800 (32") | 960 (38") |
| F Overall height of cab | 3,120 (10' 2") | L Overall width | 2,750 (9' 0") | 2,840 (9' 4") | 3,000 (9' 10") | |
| G Min. ground clearance | 600 (2' 0") | | | | | |
| H Track gauge | 2,040 (6' 8") | | | | | |

Dimensions & Working Range

R140LC-9A ADJUSTABLE BOOM DIMENSIONS

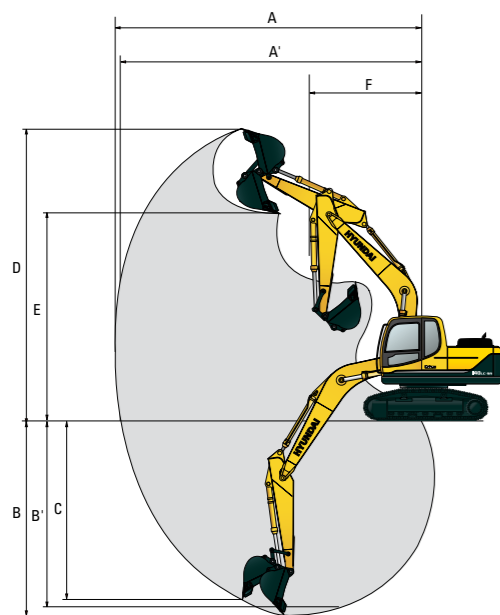


Unit : mm (ft-in)

| | | | | | |
|-------------------------------------|----------------|--------------------------|---------------------------------|----------------|----------------|
| A Tumbler distance | 3,000 (9' 10") | Boom length | 4,900 (16' 1"), Adjustable boom | | |
| B Overall length of crawler | 3,750 (12' 4") | Arm length | 1,900 (6' 3") | 2,100 (6' 11") | 2,500 (8' 2") |
| C Ground clearance of counterweight | 940 (3' 1") | I Overall length | 8,160 (26' 8") | 8,170 (26' 8") | 8,150 (26' 8") |
| D Tail swing radius | 2,330 (7' 7") | J Overall height of boom | 2,830 (9' 3") | 2,940 (9' 6") | 2,960 (9' 7") |
| D' Rear-end length | 2,330 (7' 7") | K Track shoe width | 500 (20") | 600 (24") | 700 (28") |
| E Overall width of upperstructure | 2,500 (8' 2") | | L Overall width | 2,500 (8' 2") | 2,600 (8' 6") |
| F Overall height of cab | 2,870 (9' 4") | | | | |
| G Min. ground clearance | 440 (1' 5") | | | | |
| H Track gauge | 2,000 (6' 7") | | | | |

R140LCM-9A WORKING RANGE

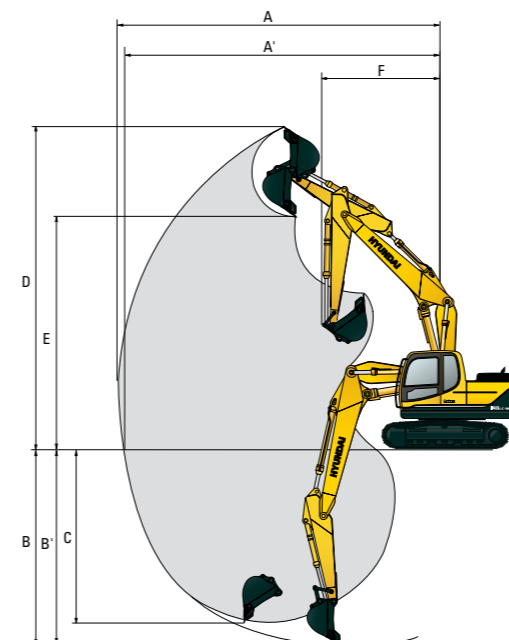
Unit : mm (ft-in)



| | | | | |
|------------------------------------|----------------|-----------------|----------------|-----------------|
| Boom length | 4,600 (15' 1") | | | |
| Arm length | 1,900 (6' 3") | 2,100 (6' 11") | 2,500 (8' 2") | 3,000 (9' 10") |
| A Max. digging reach | 7,750 (25' 5") | 7,920 (25' 11") | 8,330 (27' 4") | 8,790 (28' 10") |
| A' Max. digging reach on ground | 7,540 (24' 9") | 7,710 (25' 4") | 8,110 (26' 7") | 8,580 (28' 2") |
| B Max. digging depth | 4,690 (15' 5") | 4,890 (16' 1") | 5,290 (17' 4") | 5,790 (19' 0") |
| B' Max. digging depth (8' level) | 4,420 (14' 6") | 4,640 (15' 3") | 5,080 (16' 8") | 5,610 (18' 5") |
| C Max. vertical wall digging depth | 4,390 (14' 5") | 4,640 (15' 3") | 5,070 (16' 8") | 5,590 (18' 4") |
| D Max. digging height | 8,360 (27' 5") | 8,440 (27' 8") | 8,760 (28' 9") | 9,040 (29' 7") |
| E Max. dumping height | 5,930 (19' 5") | 6,010 (19' 8") | 6,320 (20' 9") | 6,590 (21' 7") |
| F Min. swing radius | 2,630 (8' 8") | 2,670 (8' 9") | 2,650 (8' 8") | 2,680 (8' 10") |

R140LC-9A ADJUSTABLE BOOM WORKING RANGE

Unit : mm (ft-in)



| | | | |
|------------------------------------|---------------------------------|-----------------|-----------------|
| Boom length | 4,900 (16' 1"), Adjustable boom | | |
| Arm length | 1,900 (6' 3") | 2,100 (6' 11") | 2,500 (8' 2") |
| A Max. digging reach | 8,140 (26' 8") | 8,320 (27' 4") | 8,720 (28' 7") |
| A' Max. digging reach on ground | 8,000 (26' 3") | 8,180 (26' 10") | 8,590 (28' 2") |
| B Max. digging depth | 5,110 (16' 9") | 5,310 (17' 5") | 5,710 (18' 9") |
| B' Max. digging depth (8' level) | 5,000 (16' 5") | 5,190 (17' 0") | 5,610 (18' 5") |
| C Max. vertical wall digging depth | 4,490 (14' 9") | 4,660 (15' 3") | 5,120 (16' 10") |
| D Max. digging height | 8,810 (28' 11") | 8,890 (29' 2") | 9,270 (30' 5") |
| E Max. dumping height | 6,330 (20' 9") | 6,410 (21' 0") | 6,780 (22' 3") |
| F Min. swing radius | 2,670 (8' 9") | 2,830 (9' 3") | 2,690 (8' 10") |

Lifting Capacity

R140LC-9A

Rating over-front Rating over-side or 360 degree

Boom : 4.6 m (15' 1") / Arm : 1.9 m (6' 3") / Bucket : 0.58 m³ (0.76 yd³) SAE heaped / Shoe : 600mm(24") triple grouser

| Load point height m (ft) | | Load radius | | | | | | | | At max. reach | | |
|-----------------------------|----------|------------------|------------------|-----------------|-----------------|----------------|----------------|---------------|--------------|----------------|--------------|-----------------|
| | | 1.5 m (5 ft) | | 3.0 m (10 ft) | | 4.5 m (15 ft) | | 6.0 m (20 ft) | | Capacity | | Reach m (ft) |
| | | | | | | | | | | | | |
| 6.0 m (20 ft) | kg lb | | | | | *3340 *7360 | *3340 *7360 | | | *3170 *6990 | 2350 5180 | 5.95 (19.5) |
| 4.5 m (15 ft) | kg lb | | | | | *3550 *7830 | *3550 *7830 | | | 2820 6220 | 1760 3880 | 6.90 (22.6) |
| 3.0 m (10 ft) | kg lb | | | *6270 *13820 | *6270 *13820 | *4440 *9790 | 3510 7740 | 3480 4780 | 2170 5470 | 2480 5470 | 1520 3350 | 7.37 (24.2) |
| 1.5 m (5 ft) | kg lb | | | *8490 *18720 | 6040 13320 | 5400 11900 | 3270 7210 | 3380 7450 | 2080 4590 | 2390 5270 | 1450 3200 | 7.45 (24.4) |
| Ground | kg lb | | | *8230 *18140 | 5790 12760 | 5200 11460 | 3100 6830 | 3300 7280 | 2000 4410 | 2510 5530 | 1520 3350 | 7.17 (23.5) |
| -1.5 m (-5 ft) | kg lb | *6670 *14700 | *6670 *14700 | *9690 *21360 | 5800 12790 | 5140 11330 | 3050 6720 | | | 2960 6530 | 1810 3990 | 6.48 (21.3) |
| -3.0 m (-10 ft) | kg lb | *10970 *24180 | *10970 *24180 | *8330 *18360 | 5930 13070 | 5220 11510 | 3110 6860 | | | *3690 *8140 | 2670 5890 | 5.15 (16.9) |

Boom : 4.6 m (15' 1") / Arm : 2.5 m (8' 2") / Bucket : 0.58 m³ (0.76 yd³) SAE heaped / Shoe : 600mm(24") triple grouser

| Load point height m (ft) | | Load radius | | | | | | | | At max. reach | | |
|-----------------------------|----------|-----------------|-----------------|-----------------|-----------------|-----------------|--------------|----------------|--------------|----------------|--------------|-----------------|
| | | 1.5 m (5 ft) | | 3.0 m (10 ft) | | 4.5 m (15 ft) | | 6.0 m (20 ft) | | Capacity | | Reach m (ft) |
| | | | | | | | | | | | | |
| 6.0 m (20 ft) | kg lb | | | | | | | | | *2810 *6190 | 1920 4230 | 6.69 (21.9) |
| 4.5 m (15 ft) | kg lb | | | | | | | *2770 *6110 | 2270 5000 | 2440 5380 | 1500 3310 | 7.53 (24.7) |
| 3.0 m (10 ft) | kg lb | | | *4930 *10870 | *4930 *10870 | *3830 *8440 | 3570 7870 | *3380 *7450 | 2190 4830 | 2170 4780 | 1310 2890 | 7.95 (26.1) |
| 1.5 m (5 ft) | kg lb | | | *8030 *17700 | 6240 13760 | *5010 *11050 | 3300 7280 | 3380 7450 | 2070 4560 | 2100 4630 | 1250 2760 | 8.03 (26.3) |
| Ground | kg lb | | | *8780 *19360 | 5800 12790 | 5200 11460 | 3090 6810 | 3270 7210 | 1970 4340 | 2180 4810 | 1300 2870 | 7.77 (25.5) |
| -1.5 m (-5 ft) | kg lb | *5740 *12650 | *5740 *12650 | *9910 *21850 | 5700 12570 | 5080 11200 | 2990 6590 | 3220 7100 | 1920 4230 | 2500 5510 | 1500 3310 | 7.15 (23.5) |
| -3.0 m (-10 ft) | kg lb | *8760 *19310 | *8760 *19310 | *9040 *19930 | 5770 12720 | 5100 11240 | 3000 6610 | | | 3340 7360 | 2030 4480 | 6.01 (19.7) |
| -4.5 m (-15 ft) | kg lb | | | *6590 *14530 | 6030 13290 | | | | | | | |

Boom : 4.6 m (15' 1") / Arm : 3.0 m (9' 10") / Bucket : 0.58 m³ (0.76 yd³) SAE heaped / Shoe : 600mm(24") triple grouser

| Load point height m (ft) | | Load radius | | | | | | | | | | At max. reach | | |
|-----------------------------|----------|------------------|------------------|-----------------|---------------|-----------------|----------------|----------------|----------------|----------------|--------------|----------------|--------------|-----------------|
| | | 1.5 m (5 ft) | | 3.0 m (10 ft) | | 4.5 m (15 ft) | | 6.0 m (20 ft) | | 7.5 m (25 ft) | | Capacity | | Reach m (ft) |
| | | | | | | | | | | | | | | |
| 6.0 m (20 ft) | kg lb | | | | | | | *1880 *4140 | *1880 *4140 | | | *2540 *5600 | 1650 3640 | 7.25 (23.8) |
| 4.5 m (15 ft) | kg lb | | | | | | | *2570 *5670 | 2310 5090 | | | 2180 4810 | 1320 2910 | 8.02 (26.3) |
| 3.0 m (10 ft) | kg lb | | | | | *3280 *7230 | *3280 *7230 | *3020 *6660 | 2210 4870 | *1660 *3660 | 1430 3150 | 1960 4320 | 1160 2560 | 8.41 (27.6) |
| 1.5 m (5 ft) | kg lb | | | *6980 *15390 | 6440 14200 | *4540 *10010 | 3350 7390 | 3400 7500 | 2080 4590 | *2190 *4830 | 1890 3040 | 1100 4170 | 1190 2430 | 8.49 (27.9) |
| Ground | kg lb | | | *9240 *20370 | 5850 12900 | 5210 11490 | 3100 6830 | 3260 7190 | 1960 4320 | *2120 *4670 | 1330 2930 | 1960 4320 | 1140 2510 | 8.25 (27.1) |
| -1.5 m (-5 ft) | kg lb | *5290 *11660 | *5290 *11660 | *9910 *21850 | 5650 12460 | 5060 11160 | 2960 6530 | 3180 7010 | 1890 4170 | | | 2200 4850 | 1290 2840 | 7.67 (25.2) |
| -3.0 m (-10 ft) | kg lb | *7720 *17020 | *7720 *17020 | *9440 *20810 | 5670 12500 | 5030 11090 | 2940 6480 | 3180 7010 | 1880 4140 | | | 2800 6170 | 1680 3700 | 6.64 (21.8) |
| -4.5 m (-15 ft) | kg lb | *11300 *24910 | *11300 *24910 | *7670 *16910 | 5850 12900 | *4890 *10780 | 3050 6720 | | | | | | | |

- Lifting capacity is based on SAE J1097, ISO 10567.
- Lifting capacity of the Robex Series does not exceed 75% of the tipping load with the machine on firm, level ground or 87% of full hydraulic capacity.
- The load point is a hook located on the back of the bucket.
- (*) indicates the load limited by hydraulic capacity.

Lifting Capacity

R140LCD-9A

Rating over-front Rating over-side or 360 degree

Boom : 4.6 m (15' 1") / Arm : 1.9 m (6' 3") / Bucket : 0.58 m³ (0.76 yd³) SAE heaped / Shoe : 600mm(24") triple grouser

| Load point height m (ft) | | Load radius | | | | | | | | At max. reach | | |
|-----------------------------|----------|------------------|------------------|-----------------|-----------------|----------------|----------------|---------------|--------------|----------------|--------------|-----------------|
| | | 1.5 m (5 ft) | | 3.0 m (10 ft) | | 4.5 m (15 ft) | | 6.0 m (20 ft) | | Capacity | | Reach m (ft) |
| | | | | | | | | | | | | |
| 6.0 m (20 ft) | kg lb | | | | | *3340 *7360 | *3340 *7360 | | | *3170 *6990 | 2490 5490 | 5.95 (19.5) |
| 4.5 m (15 ft) | kg lb | | | | | *3550 *7830 | *3550 *7830 | | | 2820 6220 | 1870 4120 | 6.90 (22.6) |
| 3.0 m (10 ft) | kg lb | | | *6270 *13820 | *6270 *13820 | *4440 *9790 | 3510 7740 | 3480 4780 | 2170 5470 | 2480 5470 | 1520 3350 | 7.37 (24.2) |
| 1.5 m (5 ft) | kg lb | | | *8490 *18720 | 6040 13320 | 5400 11900 | 3270 7210 | 3380 7450 | 2080 4590 | 2390 5270 | 1450 3200 | 7.45 (24.4) |
| Ground | kg lb | | | *8230 *18140 | 5790 12760 | 5200 11460 | 3100 6830 | 3300 7280 | 2000 4410 | 2510 5530 | 1520 3350 | 7.17 (23.5) |
| -1.5 m (-5 ft) | kg lb | *6670 *14700 | *6670 *14700 | *9690 *21360 | 5800 12790 | 5140 11330 | 3050 6720 | | | 2960 6530 | 1810 3990 | 6.48 (21.3) |
| -3.0 m (-10 ft) | kg lb | *10970 *24180 | *10970 *24180 | *8330 *18360 | 5930 13070 | 5220 11510 | 3110 6860 | | | *3690 *8140 | 2670 5890 | 5.15 (16.9) |

Boom : 4.6 m (15' 1") / Arm : 2.5 m (8' 2") / Bucket : 0.58 m³ (0.76 yd³) SAE heaped / Shoe : 600mm(24") triple grouser

| Load point height m (ft) | | Load radius | | | | | | | | At max. reach | | |
|-----------------------------|----------|-----------------|-----------------|-----------------|-----------------|-----------------|--------------|----------------|--------------|----------------|--------------|-----------------|
| | | 1.5 m (5 ft) | | 3.0 m (10 ft) | | 4.5 m (15 ft) | | 6.0 m (20 ft) | | Capacity | | Reach m (ft) |
| | | | | | | | | | | | | |
| 6.0 m (20 ft) | kg lb | | | | | | | | | *2810 *6190 | 2040 4500 | 6.69 (21.9) |
| 4.5 m (15 ft) | kg lb | | | | | | | *2770 *6110 | 2410 5310 | 2660 5860 | 1600 3530 | 7.53 (24.7) |
| 3.0 m (10 ft) | kg lb | | | *4930 *10870 | *4930 *10870 | *3830 *8440 | 3770 8310 | *3380 *7450 | 2320 5110 | 2380 5250 | 1400 3090 | 7.95 (26.1) |
| 1.5 m (5 ft) | kg lb | | | *8030 *17700 | 6240 13760 | *5010 *11050 | 3490 7690 | 3680 8110 | 2210 4870 | 2300 5070 | 1340 2950 | 8.03 (26.3) |
| Ground | kg lb | | | *8780 *19360 | 5800 12790 | 5200 11460 | 3090 6810 | 3270 7210 | 1970 4340 | 2180 4810 | 1300 2870 | 7.77 (25.5) |
| -1.5 m (-5 ft) | kg lb | *5740 *12650 | *5740 *12650 | *9910 *21850 | 5700 12570 | 5080 11200 | 2990 6590 | 3220 7100 | 1920 4230 | 2500 5510 | 1500 3310 | 7.15 (23.5) |
| -3.0 m (-10 ft) | kg lb | *8760 *19310 | *8760 *19310 | *9040 *19930 | 5770 12720 | 5100 11240 | 3000 6610 | | | 3340 7360 | 2030 4480 | 6.01 (19.7) |
| -4.5 m (-15 ft) | kg lb | | | *6590 *14530 | 6030 13290 | | | | | | | |

Boom : 4.6 m (15' 1") / Arm : 3.0 m (9' 10") / Bucket : 0.58 m³ (0.76 yd³) SAE heaped / Shoe : 600mm(24") triple grouser

| Load point height m (ft) | | Load radius | | | | | | | | | | At max. reach | | |
|-----------------------------|----------|------------------|------------------|-----------------|---------------|-----------------|----------------|----------------|----------------|----------------|--------------|----------------|--------------|-----------------|
| | | 1.5 m (5 ft) | | 3.0 m (10 ft) | | 4.5 m (15 ft) | | 6.0 m (20 ft) | | 7.5 m (25 ft) | | Capacity | | Reach m (ft) |
| | | | | | | | | | | | | | | |
| 6.0 m (20 ft) | kg lb | | | | | | | *1880 *4140 | *1880 *4140 | | | *2540 *5600 | 1760 3880 | 7.25 (23.8) |
| 4.5 m (15 ft) | kg lb | | | | | | | *2570 *5670 | 2440 5380 | | | 2380 5250 | 1410 3110 | 8.02 (26.3) |
| 3.0 m (10 ft) | kg lb | | | | | *3280 *7230 | *3280 *7230 | *3020 *6660 | 2350 5180 | *1660 *3660 | 1540 3400 | 2150 4740 | 1250 2760 | 8.41 (27.6) |
| 1.5 m (5 ft) | kg lb | | | *6980 *15390 | 6440 14200 | *4540 *10010 | 3350 7390 | 3400 7500 | 2080 4590 | *2190 *4830 | 1890 3040 | 1100 4170 | 1190 2430 | 8.49 (27.9) |
| Ground | kg lb | | | *9240 *20370 | 5850 12900 | 5210 11490 | 3100 6830 | 3260 7190 | 1960 4320 | *2120 *4670 | 1330 2930 | 1960 4320 | 1140 2510 | 8.25 (27.1) |
| -1.5 m (-5 ft) | kg lb | *5290 *11660 | *5290 *11660 | *9910 *21850 | 5650 12460 | 5060 11160 | 2960 6530 | 3180 7010 | 1890 4170 | | | 2200 4850 | 1290 2840 | 7.67 (25.2) |
| -3.0 m (-10 ft) | kg lb | *7720 *17020 | *7720 *17020 | *9440 *20810 | 5670 12500 | 5030 11090 | 2940 6480 | 3180 7010 | 1880 4140 | | | 2800 6170 | 1680 3700 | 6.64 (21.8) |
| -4.5 m (-15 ft) | kg lb | *11300 *24910 | *11300 *24910 | *7670 *16910 | 5850 12900 | *4890 *10780 | 3050 6720 | | | | | | | |

- Lifting capacity is based on SAE J1097, ISO 10567.
- Lifting capacity of the Robex Series does not exceed 75% of the tipping load with the machine on firm, level ground or 87% of full hydraulic capacity.
- The load point is a hook located on the back of the bucket.
- (*) indicates the load limited by hydraulic capacity.

Lifting Capacity

R140LCM-9A

Rating over-front Rating over-side or 360 degree

Boom : 4.6 m (15' 1") / Arm : 1.9 m (6' 3") / Bucket : 0.58 m³ (0.76 yd³) SAE heaped / Shoe : 800mm(32") triple grouser

| Load point height m (ft) | | Load radius | | | | | | | | At max. reach | | |
|-----------------------------|----------|-----------------|-----------------|-----------------|-----------------|-----------------|----------------|----------------|--------------|----------------|--------------|-----------------|
| | | 1.5 m (5 ft) | | 3.0 m (10 ft) | | 4.5 m (15 ft) | | 6.0 m (20 ft) | | Capacity | | Reach m (ft) |
| | | | | | | | | | | | | |
| 6.0 m (20 ft) | kg lb | | | | | *3310 *7300 | *3310 *7300 | | | *3180 *7010 | 2610 5750 | 6.16 (20.2) |
| 4.5 m (15 ft) | kg lb | | | | | *3670 *8090 | *3670 *8090 | *2830 *6240 | 2640 5820 | 3200 7050 | 2050 4520 | 7.01 (23.0) |
| 3.0 m (10 ft) | kg lb | | | *6820 *15040 | *6820 *15040 | *4620 *10190 | 4090 9020 | *3860 *8510 | 2580 5690 | 2880 6350 | 1820 4010 | 7.41 (24.3) |
| 1.5 m (5 ft) | kg lb | | | *7800 *17200 | 7120 15700 | *5680 *12520 | 3850 8490 | 3930 8660 | 2480 5470 | 2820 6220 | 1770 3900 | 7.43 (24.4) |
| Ground | kg lb | | | *8700 *19180 | 6940 15300 | 6050 13340 | 3700 8160 | 3850 8490 | 2410 5310 | 3020 6660 | 1890 4170 | 7.09 (23.3) |
| Line | kg lb | | | *7330 *16160 | *7330 *16160 | *9540 *21030 | 6960 15340 | 6010 13250 | 3670 8090 | 3630 8000 | 2290 5050 | 6.31 (20.7) |
| (-1.5 m (-5 ft)) | kg lb | *7330 *16160 | *7330 *16160 | *9540 *21030 | 6960 15340 | 6010 13250 | 3670 8090 | | | | | |
| (-3.0 m (-10 ft)) | kg lb | | | *7950 *17530 | 7130 15720 | *5200 *11460 | 3760 8290 | | | | | |

Boom : 4.6 m (15' 1") / Arm : 2.5 m (8' 2") / Bucket : 0.58 m³ (0.76 yd³) SAE heaped / Shoe : 800mm(32") triple grouser

| Load point height m (ft) | | Load radius | | | | | | | | At max. reach | | |
|-----------------------------|----------|-----------------|-----------------|-----------------|-----------------|-----------------|----------------|----------------|--------------|----------------|--------------|-----------------|
| | | 1.5 m (5 ft) | | 3.0 m (10 ft) | | 4.5 m (15 ft) | | 6.0 m (20 ft) | | Capacity | | Reach m (ft) |
| | | | | | | | | | | | | |
| 6.0 m (20 ft) | kg lb | | | | | | | | | *2830 *6240 | 2180 4810 | 6.87 (22.5) |
| 4.5 m (15 ft) | kg lb | | | | | *3040 *6700 | *3040 *6700 | *2930 *6460 | 2690 5930 | 2790 6150 | 1770 3900 | 7.63 (25.0) |
| 3.0 m (10 ft) | kg lb | | | *5460 *12040 | *5460 *12040 | *4030 *8880 | *4030 *8880 | *3470 *7650 | 2590 5710 | 2540 5600 | 1590 3510 | 7.99 (26.2) |
| 1.5 m (5 ft) | kg lb | | | *8460 *18650 | 7290 16070 | *5200 *11460 | 3880 8550 | 3930 8660 | 2480 5470 | 2490 5490 | 1540 3400 | 8.01 (26.3) |
| Ground | kg lb | *3600 *7940 | *3600 *7940 | *8880 *19580 | 6920 15260 | 6030 13290 | 3680 8110 | 3820 8420 | 2380 5250 | 2630 5800 | 1630 3590 | 7.70 (25.3) |
| Line | kg lb | *6200 *13670 | *6200 *13670 | *9840 *21690 | 6850 15100 | 5940 13100 | 3600 7940 | 3780 8330 | 2340 5160 | 3050 6720 | 1900 4190 | 7.00 (23.0) |
| (-1.5 m (-5 ft)) | kg lb | *6200 *13670 | *6200 *13670 | *9840 *21690 | 6850 15100 | 5940 13100 | 3600 7940 | 3780 8330 | 2340 5160 | 3050 6720 | 1900 4190 | 7.00 (23.0) |
| (-3.0 m (-10 ft)) | kg lb | *9390 *20700 | *9390 *20700 | *8770 *19330 | 6960 15340 | *5760 *12700 | 3640 8020 | | | *3520 *7760 | 2650 5840 | 5.74 (18.8) |

Boom : 4.6 m (15' 1") / Arm : 3.0 m (9' 10") / Bucket : 0.58 m³ (0.76 yd³) SAE heaped / Shoe : 800mm(32") triple grouser

| Load point height m (ft) | | Load radius | | | | | | | | | | At max. reach | | |
|-----------------------------|----------|-----------------|-----------------|-----------------|---------------|-----------------|----------------|----------------|----------------|----------------|--------------|----------------|--------------|-----------------|
| | | 1.5 m (5 ft) | | 3.0 m (10 ft) | | 4.5 m (15 ft) | | 6.0 m (20 ft) | | 7.5 m (25 ft) | | Capacity | | Reach m (ft) |
| | | | | | | | | | | | | | | |
| 6.0 m (20 ft) | kg lb | | | | | | | *2060 *4540 | *2060 *4540 | | | *2550 *5620 | 1900 4190 | 7.41 (24.3) |
| 4.5 m (15 ft) | kg lb | | | | | | | *2660 *5860 | *2660 *5860 | | | 2510 5530 | 1570 3460 | 8.11 (26.6) |
| 3.0 m (10 ft) | kg lb | | | | | *3480 *7670 | *3480 *7670 | *3120 *6880 | 2610 5750 | *1790 *3950 | 1740 3840 | 2300 5070 | 1420 3130 | 8.45 (27.7) |
| 1.5 m (5 ft) | kg lb | | | *7490 *16510 | 7480 16490 | *4750 *10470 | 3920 8640 | *3710 *8180 | 2480 5470 | *2230 *4920 | 1690 3730 | 2250 4960 | 1380 3040 | 8.47 (27.8) |
| Ground | kg lb | *3650 *8050 | *3650 *8050 | *9450 *20830 | 6950 15320 | *5770 *12720 | 3680 8110 | 3810 8400 | 2360 5200 | *1990 *4390 | 1640 3620 | 2360 5200 | 1440 3170 | 8.18 (26.8) |
| Line | kg lb | *8050 *17590 | *8050 *17590 | *9900 *21830 | 6800 14990 | 5900 13010 | 3560 7850 | 3740 8250 | 2300 5070 | | | 2680 5910 | 1650 3640 | 7.53 (24.7) |
| (-1.5 m (-5 ft)) | kg lb | *5660 *12480 | *5660 *12480 | *9900 *21830 | 6800 14990 | 5900 13010 | 3560 7850 | 3740 8250 | 2300 5070 | | | 2680 5910 | 1650 3640 | 7.53 (24.7) |
| (-3.0 m (-10 ft)) | kg lb | *8220 *18120 | *8220 *18120 | *9250 *20390 | 6840 15080 | 5900 13010 | 3560 7850 | 3760 8290 | 2320 5110 | | | *3380 *7450 | 2180 4810 | 6.40 (21.0) |
| (-4.5 m (-15 ft)) | kg lb | | | *7160 *15790 | 7060 15560 | *4420 *9740 | 3710 8180 | | | | | | | |

- Lifting capacity is based on SAE J1097, ISO 10567.
- Lifting capacity of the Robex Series does not exceed 75% of the tipping load with the machine on firm, level ground or 87% of full hydraulic capacity.
- The load point is a hook located on the back of the bucket.
- (*) indicates the load limited by hydraulic capacity.

Lifting Capacity

R140LC-9A ADJUSTABLE BOOM

Rating over-front Rating over-side or 360 degree

Boom : 4.9 m (16' 1") / Arm : 1.9 m (6' 3") / Bucket : 0.58 m³ (0.76 yd³) SAE heaped / Shoe : 600mm(24") triple grouser

| Load point height m (ft) | | Load radius | | | | | | At max. reach | | | | |
|-----------------------------|----------|-----------------|-----------------|----------------|---------------|----------------|----------------|----------------|--------------|-----------------|--------------|----------------|
| | | 3.0 m (10 ft) | | 4.5 m (15 ft) | | 6.0 m (20 ft) | | Capacity | | Reach m (ft) | | |
| | | | | | | | | | | | | |
| 6.0 m (20 ft) | kg lb | | | | | *2900 *6390 | *2900 *6390 | | | *2880 *6350 | 2010 4430 | 6.45 (21.2) |
| 4.5 m (15 ft) | kg lb | | | | | *3280 *7230 | *3280 *7230 | *3150 *6940 | 2220 4890 | 2530 5580 | 1540 3400 | 7.33 (24.0) |
| 3.0 m (10 ft) | kg lb | *6420 *14150 | *6420 *14150 | *4230 *9330 | 3440 7580 | 3470 7650 | 2130 4700 | 2240 4940 | 1340 2950 | | | 7.76 (25.5) |
| 1.5 m (5 ft) | kg lb | | | 5310 11710 | 3160 6970 | 3340 7360 | 2020 4450 | 2170 4780 | 1280 2820 | | | 7.84 (25.7) |
| Ground | kg lb | *5430 *11970 | *5430 *11970 | 5110 11270 | 2980 6570 | 3240 7140 | 1930 4250 | 2270 5000 | 1340 2950 | | | 7.58 (24.9) |
| Line | kg lb | *9210 *20300 | *9210 *20300 | 5620 12390 | 5050 11130 | 2940 6480 | 1900 4190 | 2630 5800 | 1570 3460 | | | 6.93 (22.7) |
| (-1.5 m (-5 ft)) | kg lb | *9210 *20300 | *9210 *20300 | 5620 12390 | 5050 11130 | 2940 6480 | 1900 4190 | 2630 5800 | 1570 3460 | | | 6.93 (22.7) |
| (-3.0 m (-10 ft)) | kg lb | *8450 *18630 | *8450 *18630 | 5780 12740 | 5130 11310 | 3000 6610 | | | | | | |

Boom : 4.9 m (16' 1") / Arm : 2.1 m (6' 11") / Bucket : 0.58 m³ (0.76 yd³) SAE heaped / Shoe : 600mm(24") triple grouser

| Load point height m (ft) | | Load radius | | | | | | At max. reach | | | | |
|-----------------------------|----------|-----------------|-----------------|-----------------|--------------|----------------|----------------|----------------|--------------|-----------------|--------------|----------------|
| | | 3.0 m (10 ft) | | 4.5 m (15 ft) | | 6.0 m (20 ft) | | Capacity | | Reach m (ft) | | |
| | | | | | | | | | | | | |
| 6.0 m (20 ft) | kg lb | | | | | *2690 *5930 | *2690 *5930 | | | *2760 *6080 | 1900 4190 | 6.68 (21.9) |
| 4.5 m (15 ft) | kg lb | | | | | *3080 *6790 | *3080 *6790 | *2990 *6590 | 2230 4920 | 2420 5340 | 1470 3240 | 7.52 (24.7) |
| 3.0 m (10 ft) | kg lb | *5930 *13070 | *5930 *13070 | *4030 *8880 | 3460 7630 | *3360 *7410 | 2140 4720 | 2150 4740 | 1280 2820 | | | 7.94 (26.0) |
| 1.5 m (5 ft) | kg lb | | | *5140 *11330 | 3160 6970 | 3340 7360 | 2010 4430 | 2080 4590 | 1220 2690 | | | 8.02 (26.3) |
| Ground | kg lb | *5690 *12540 | 5540 12210 | 5090 11220 | 2960 6530 | 3230 7120 | 1910 4210 | 2170 4780 | 1270 2800 | | | 7.77 (25.5) |
| Line | kg lb | *8930 *19690 | 5560 12260 | 5020 11070 | 2900 6390 | 3190 7030 | 1870 4120 | 2490 5490 | 1470 3240 | | | 7.14 (23.4) |
| (-1.5 m (-5 ft)) | kg lb | *8930 *19690 | 5560 12260 | 5020 11070 | 2900 6390 | 3190 7030 | 1870 4120 | 2490 5490 | 1470 3240 | | | 7.14 (23.4) |
| (-3.0 m (-10 ft)) | kg lb | *8650 *19070 | 5690 12540 | 5070 11180 | 2950 6500 | | | | | | | |

Boom : 4.9 m (16' 1") / Arm : 2.5 m (8' 2") / Bucket : 0.58 m³ (0.76 yd³) SAE heaped / Shoe : 600mm(24") triple grouser

| Load point height m (ft) | | Load radius | | | | | | | | | | At max. reach | | | | | | |
|-----------------------------|----------|-----------------|-----------------|-----------------|---------------|-----------------|-----------------|-----------------|--------------|----------------|--------------|----------------|----------------|-----------------|--------------|----------------|--------------|----------------|
| | | 1.5 m (5 ft) | | 3.0 m (10 ft) | | 4.5 m (15 ft) | | 6.0 m (20 ft) | | 7.5 m (25 ft) | | Capacity | | Reach m (ft) | | | | |
| | | | | | | | | | | | | | | | | | | |
| 6.0 m (20 ft) | kg lb | | | | | | | | | | | *2250 *4960 | *2250 *4960 | *2570 *5670 | 1660 3660 | 7.18 (23.6) | | |
| 4.5 m (15 ft) | kg lb | | | | | | | | | | | *2700 *5950 | *2700 *5950 | *2710 *5970 | 2270 5000 | 2190 4830 | 1310 2890 | 7.96 (26.1) |
| 3.0 m (10 ft) | kg lb | | | | | *5070 *11180 | *5070 *11180 | *3660 *8070 | 3520 7760 | *3120 *6880 | 2160 4760 | *1900 *4190 | 1400 3090 | 1970 4340 | 1150 2540 | 8.35 (27.4) | | |
| 1.5 m (5 ft) | kg lb | | | | | *7220 *15920 | 5960 13140 | *4830 *10650 | 3200 7050 | 3350 7390 | 2020 4450 | 2300 5070 | 1350 2980 | 1900 4190 | 1100 2430 | 8.43 (27.7) | | |
| Ground | kg lb | | | | | *6040 *13320 | 5560 12260 | 5100 11240 | 2970 6550 | 3220 7100 | 1900 4190 | 2250 4960 | 1310 2890 | 1980 4370 | 1140 2510 | 8.19 (26.9) | | |
| Line | kg lb | *4680 *10320 | *4680 *10320 | *8220 *18120 | 5510 12150 | 4990 11000 | 2880 6350 | 3160 6970 | 1850 4080 | | | | | 2230 4920 | 1300 2870 | 7.60 (24.9) | | |
| (-1.5 m (-5 ft)) | kg lb | *4680 *10320 | *4680 *10320 | *8220 *18120 | 5510 12150 | 4990 11000 | 2880 6350 | 3160 6970 | 1850 4080 | | | | | 2230 4920 | 1300 2870 | 7.60 (24.9) | | |
| (-3.0 m (-10 ft)) | kg lb | | | | | *9010 *19860 | 5600 12350 | 5010 11050 | 2900 6390 | 3190 7030 | 1870 4120 | | | | | | | |

- Lifting capacity is based on SAE J1097, ISO 10567.
- Lifting capacity of the Robex Series does not exceed 75% of the tipping load with the machine on firm, level ground or 87% of full hydraulic capacity.
- The load point is a hook located on the back of the bucket.
- (*) indicates the load limited by hydraulic capacity.