



8200 "Boss RT" Series Front & Rear Unload Forage Box - Feeder Box

Truck • Trailer • Wagon Mount 22'-24'-26'

YOU ASKED - IT'S HERE!

*A Front and Rear Unload with
Boss Series Features - Full 8' Inside Width*



B

SS
RT


**Advanced
Geardrive
Technology!**



MEMBER



Farm Equipment Buyers Trust The Name Meyer!





Meyer 8200 "BOSS RT"

TANDEM TRAILER, WAGON OR TRUCK MOUNTS



High Capacity!
22-24-26' floor lengths
8' Inside Box Width

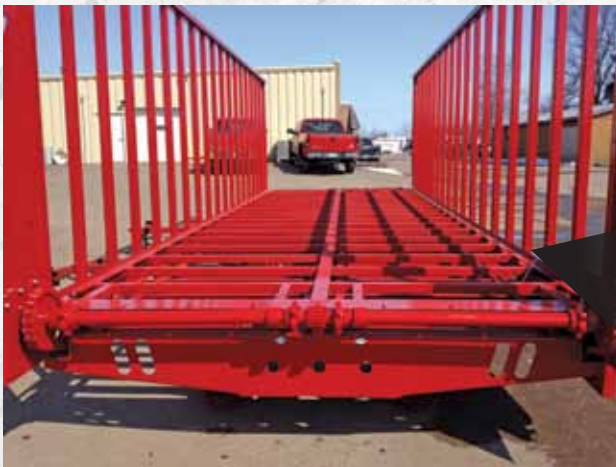
8200 BOSS RT Features

The 8200 BOSS RT features a spring-loaded, torsion apron tightening system for max efficiency and better drive shaft wrap front and rear. Solid poly floors are standard on the 8200 and all Meyer front and rear unload models. Scale packages are available for truck and trailer mounted versions.



- Wider Cross Apron w/ massive 81X Chain and hydraulic lift
- 1 1/4" conveyor shafts and 2" front apron drive shaft (2 3/8" Rear Drive)

NOT ONLY IS IT BIG, IT'S GOT THE FEATURES TO MATCH!
(Pictured with scale cell and junction box.)



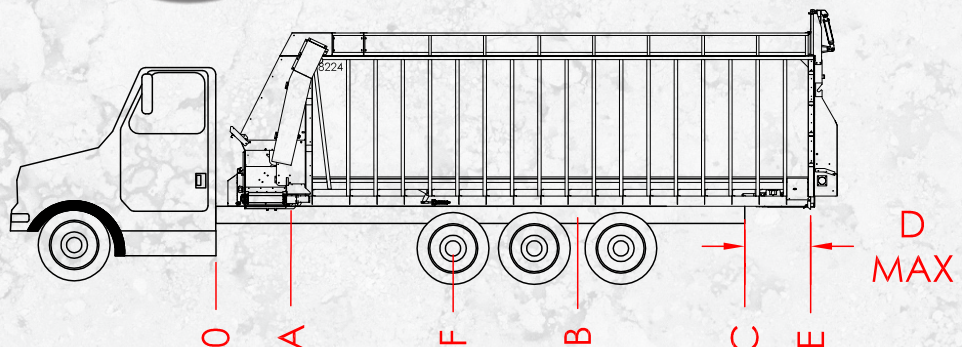
Massive BOSS Frame

Like all Meyer Boss RT boxes, the 8200 features a fully welded frame on 16" centers. Tubular floor supports, under mounted LED lighting, dual rear hydraulic drive and 2 3/8" drive shaft all standard. 6' inside height is standard - optional 14" side extensions available with 4th beater system.



TRUCK HYDRAULIC SPECIFICATIONS

- 30 GPM @ 3,000 PSI Peak Pressure
- Truck Engine RPM 1,200
- Relief Valve Installed, set @ 3,000 PSI
- 40 Gallon Reservoir filled with oil
- 3/4" NPT for Hydraulic Hook Up



8200 Series Frame Length Requirements

Size	A	B	C	D	E	F
8222	44"	200"	278"	38"	316"	N/A
8224	44"	212"	310"	38"	348"	N/A
8226	44"	220"	326"	38"	364"	139"

Select truck with axle, frame and horsepower configuration that match box capacities. Always follow Federal, State and local laws for lighting, weight and operation. Be sure box is located on the truck to provide safe weight distribution on the truck.

Commercial Grade RT Geardrive

Forage, Commodity Transport and Feeding Applications



Largest, Most Technologically Advanced Front and Rear Unload Forage Box Made!

Directed at the Commercial User

Meyer has taken the popular 8100 BOSS RT and added a front unloading head to accommodate your Front/Rear Unload Application.

- Industry Leading **8' inside width** for Max Capacity!
- Meyer Exclusive Geardrive Technology (front drive)
- 22-24-26' versions for Truck / Trailer / Wagon Mount
- Redesigned front head provides additional capacity, performance and strength!
- Clad-Tuff, fiberglass reinforced side panels and Solid Poly Floor standard equipment
- 667XH main aprons / 81X Cross apron with hydraulic lift!



Tarp Packages Available

Pictured in optional black paint color and highway light package. Electric front/rear scissor tarp or side to side tarps available.



Simple, Powerful Geardrive Technology!

- All Hydraulic Variable Speed
- NO BELTS!
- No worm-drive gearboxes – period!
- No roller chains for front main apron or cross apron drive.
- Remote auger bearing grease banks.



Rear Drive Coupler Location
Low clearance design to minimize width
Dual final drives - #120!

Front Hydraulic Power Supply

- Simple but effective system powers the 8200.
- On-board selector valve allows push/pull front-to-rear unload selection. (Pictured with electric in-cab selector-optional)
- No belt or chains here!

Productive – Fast – Smart

The Meyer 8200 comes standard with Hydraulic Cab Controls. All front unload functions are operated from the driver's seat! Pictured with standard Cab Control Box, as well as the optional Digi-Star Scale Monitor





Meyer 8200 "BOSS RT"

Dimensions • Specifications • Options

DIMENSIONS	8222RT	8224RT	8226RT
Inside Length	22'	24'8"	26'
Inside Width	97"	97"	97"
Inside Height - no extension	72"	72"	72"
Inside Height w/14" extension	85.5"	85.5"	85.5"
Overall Length	27'1"	29'8"	31'
Overall Width w/ Convey. Ext	119"	119"	119"
Overall Width w/o Convey. Ext	117"	117"	117"
Overall Height - no extension (top of gate)	103.5"	103.5"	103.5"
Overall Height w/14" extension (top of gate)	115.5"	115.5"	115.5"
Overall Side Height - no ext. / ext.	88.25/102"	88.25/102"	88.25/102"
Stringer Width (Truck/Trailer Mount)	33.5"	33.5"	33.5"
Capacity (struck level) Cu. Ft. - w/o ext.	1075	1200	1260
Capacity (struck level) Cu. Ft. - w14" ext.	1280	1400	1495
SPECIFICATIONS			
Maximum Net Load (off road rating)	25 ton	25 ton	25 ton
Apron Chains (pintle)	667XH	667XH	667XH
Cross Conveyor Apron Chain	HD 81X	HD 81X	HD 81X
Rear Drive Shaft	2-3/8" HD solid shaft	2-3/8" HD solid shaft	2-3/8" HD solid shaft
Front Hydraulic Direct Geardrive	STD	STD	STD
Rear Unload Power Source	Dual #120	Dual #120	Dual #120
Upright Spacing	16" on ctr	16" on ctr	16" on ctr
Upright / Cross member Construction	2x2 tubing	2x2 tubing	2x2 tubing
Rear Unloading Time (Dependent of Hyd. System)	50 sec	50 sec	50 sec
FEATURES			
Clad-Tuff Fiberglass Woven Side Panels	STD	STD	STD
Solid Poly Floor - High Molecular	STD	STD	STD
Rear Gate Delay System *new RT design!	STD	STD	STD
Automatic Rear Door Unlatch / Latch	STD	STD	STD
Hydraulic Drive	STD	STD	STD
Rear Transport Lights-LED (new location)	STD	STD	STD
Marker/Clearance Lights & D.O.T. Tape	OPT	OPT	OPT
Personalized Farm Name on Sides	STD	STD	STD
OPTIONS			
14" Removable Side Extension (screen or solid) +includes 4th beater assembly	OPT	OPT	OPT
Double Center Opening Doors Hyd/Air (Barn Doors)	Call Factory		
Grain Kit / Quick Attach for Top Pivot Door			
Grain Kit / Quick Attach for Barn Door Gate			
Side-mtd, LED Turn Signals in addition to std	OPT	OPT	OPT
Side Hood Deflector/backstop (RH side)	OPT	OPT	OPT
Black paint in lieu of Red	OPT	OPT	OPT
Truck Mount Kit w/Steel Fenders	OPT	OPT	OPT
Factory Install of Truck Mount Kit	OPT	OPT	OPT
Wagon/Trailer Mount Kit	OPT	OPT	OPT
Front Enclosure	OPT	OPT	OPT
TARP SYSTEMS			
Front to Back Scissor Tarp (electric)	OPT	OPT	OPT
Side-to-Side Roll Tarp (electric)	OPT	OPT	OPT

Tandem Trailers

Suitable for Boxes from 18'-26'



XT 2200 Oscillating Beam Trailer

For close hauls, muddy conditions, balanced load.



XTS Suspension Axle Trailer
XTSS Suspension Axle / Steerable Trailer



9136RT

Meyer offers a full line of 9100 Boss RT Trailers and 8100 Boss RT Live Floor Models for your rear unload applications!



6224

The 8200 joins our existing fleet of front and rear unloads: Be sure to check out our full line-up at: www.meyermfg.com

* Height measurements - Straight Truck Mounted Units require hardware which adds approximately 1.5" to height listed above * Model & specifications subject to change without notice or obligation.

Over 70 years of service to our customers

Farm Equipment Buyers Trust The Name Meyer!
American Made - American Owned



Visit us online using your mobile device.

Meyer Mfg. Corp.

Dorchester, Wisconsin 54425

Phone: 715/654-5132 • 1-800-325-9103

FAX: 715/654-5513

sales@meyermfg.com • www.meyermfg.com

YOUR DEALER IS:

