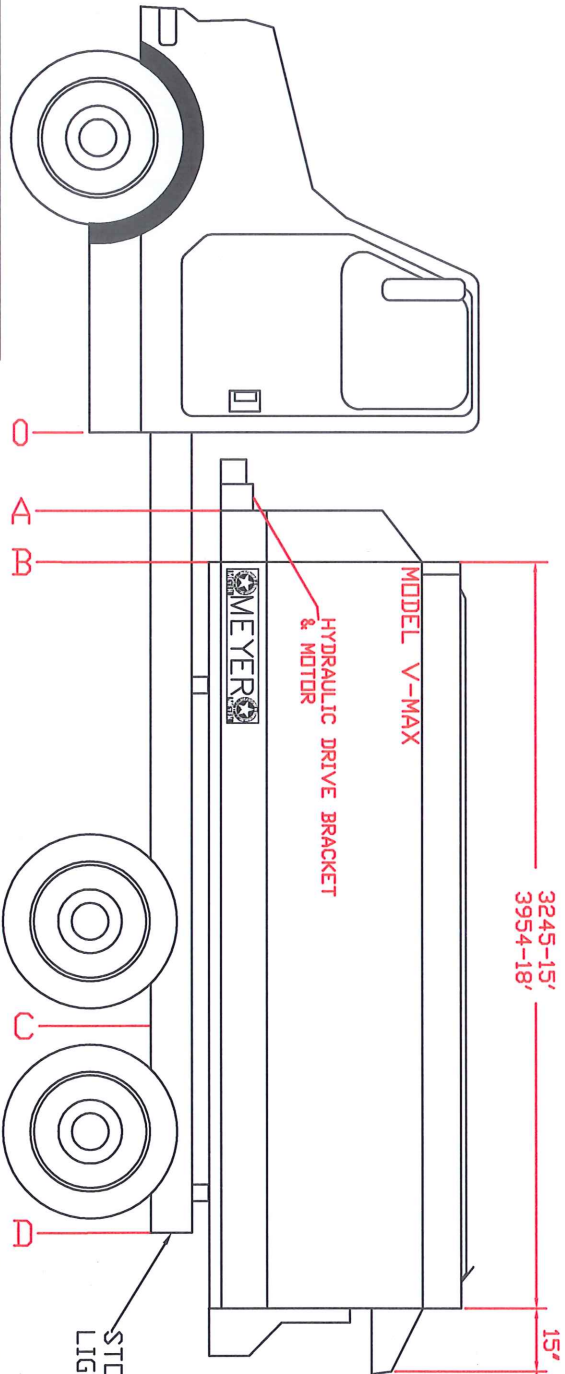


HYDRAULIC WET KIT OR TRUCK PTO PROVIDED BY CUSTOMER

DIMENSIONAL DATA FOR TRUCK MOUNTED V-MAX MANURE SPREADERS



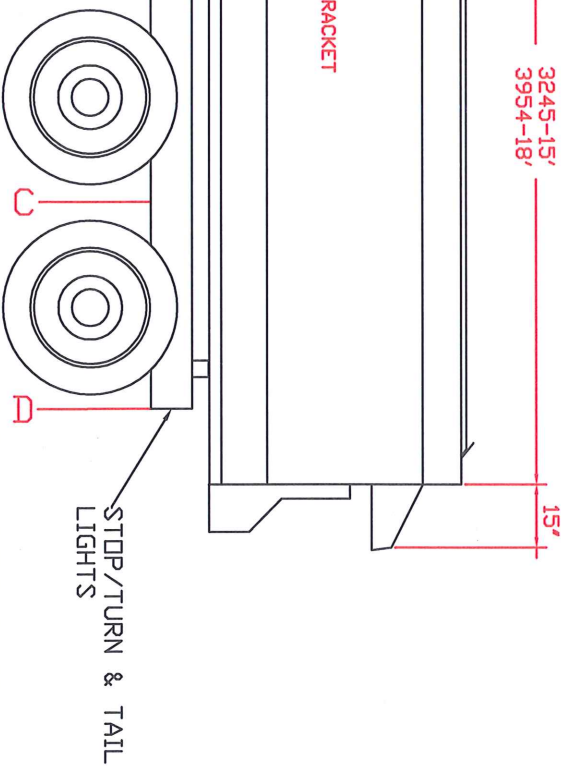
SIZE	A	B	C	D
2636	28"	43"	134"	170"
3245	28"	43"	151"	201"
3954	28"	43"	171"	231"

TRUCK PTO REQUIREMENTS-(DIRECT OR HYDRAULIC DRIVE)
TRUCK PTO-300 FT./LBS INTERNAL TORQUE MINIMUM

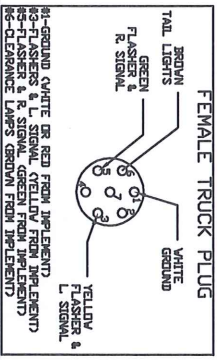
HYDRAULIC DRIVE REQUIREMENTS
PUMP REQUIREMENTS OF 3250-3400 PSI CONTINUOUS
AT A MAXIMUM OF 40 GAL./MIN. @ 1900-2000 ENGINE RPM
MANIFOLD RELIEF INSTALLED AND SET AT 3250 PSI
RESERVOIR CAPACITY-80 GALLON MINIMUM (W/OIL) W/INLINE COOLER
(CAPACITY 33 HP MIN. @ 40 GPM), 130 GALLONS (W/OIL) WITHOUT COOLER
DIRECT DRIVE REQUIREMENTS

GEARBOX DRIVE SYSTEM (STANDARD)
100% OF ENGINE SPEED TO REACH 1000 RPM INPUT AT SPREADER
CHAIN DRIVE SYSTEM (OPTIONAL)
60-80% OF ENGINE SPEED TO REACH 1000 RPM INPUT AT SPREADER
#80 ROLLER CHAIN RECOMMENDED
JACK SHAFT SPROCKET-AS REQUIRED
V-MAX/FORCE DRIVE 80B24 (CLUTCH PACKAGE)

MEYER MANUFACTURING WILL NOT BE RESPONSIBLE FOR UNITS THAT ARE NOT SET UP ACCORDING TO THE SPECIFICATIONS ON THIS PAGE. SYSTEM FAILURE COULD OCCUR ALONG WITH POOR PERFORMANCE.



LIGHTING REQUIREMENTS
TRUCK MUST BE EQUIPPED WITH STOP, TURN & TAIL LIGHTS
SUPPLY A 7-PIN MALE & FEMALE PLUG OFF THE REAR OF CAB FOR LIGHT HOOK-UP TO IMPLEMENT, LOCATED CENTRALLY BEHIND CAB. FROM MEYER ORDER 56-0005-2 & 56-0014-1.



TAILLIGHT CONVERTER
PENDING MAKE AND MODEL OF TRUCK
THESE NECESSARY TO INSTALL A LIGHT
CONVERTER ALL LVS SIGNAL LIGHTS AND
BRAKE LIGHTS TO OPERATE ACCORDING
TO DOT LIGHTING.

DRAWN	NAME	DATE	
JAA	JAA	3-30-16	
CHECKED			
UNLESS OTHERWISE SPECIFIED: DIMENSIONS ARE IN INCHES TOLERANCES: FRACTIONAL ±1/32" ANGULAR MACH ± TWO PLACE DECIMAL ±0.030° THREE PLACE DECIMAL ±0.015°			
MATERIAL: MEYER MFG CORP.			
TITLE: V-MAX TRUCK MOUNT DIMENSIONS			
SIZE	DWG. NO.	REV	
A	SV-TRUCK MOUNT-HP BLOCK	—	
SCALE: 1:1	WEIGHT:	SHEET 1 OF 1	

PROPRIETARY AND CONFIDENTIAL
THE INFORMATION CONTAINED IN THIS
DRAWING IS THE SOLE PROPERTY OF
MEYER MFG CORP. ANY REPRODUCTION
IN PART OR AS A WHOLE WITHOUT THE
WRITTEN PERMISSION OF MEYER MFG CORP.
IS PROHIBITED.