

# TH SERIES TELEHANDLERS

TH7.42 PLUS | TH7.42 ELITE | TH9.35 PLUS



# Lift your productivity to new heights.

From handling bales to defacing silage and everything in between, telehandlers are essential on farms with dedicated material-handling needs. Compared to tractors equipped with front loaders, telehandlers provide greater lift capacity and reach, faster cycle times, better stability, and more maneuverability. New Holland TH Series telehandlers combine those advantages with features like superior cab visibility, comfort and access, simple controls, and efficient engines. In fact, New Holland telehandlers have continued to deliver an unrivalled mix of performance and dependability for over 20 years. Lift your productivity to new heights with the TH Series: the ultimate multi-tool for material handling.

## What's in a name?

Look no further than the hood or door to recognize performance:

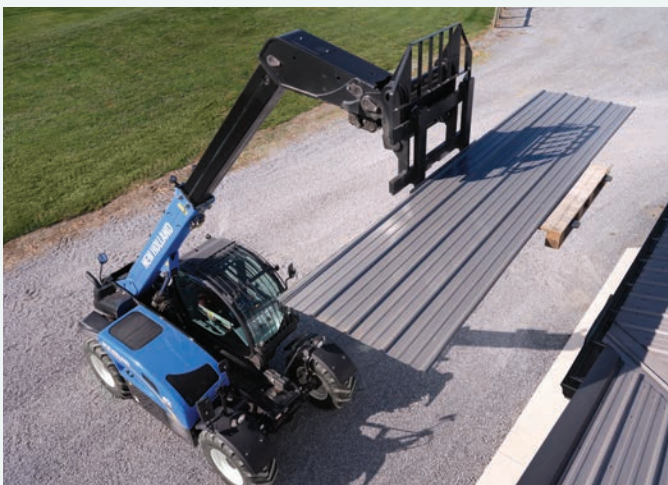
- **TH:** "Telescopic Handler"
- **First digit:** Maximum boom extension in meters
- **Second and third digits:** Maximum lift capacity in kg when boom is fully retracted



## Three models, countless applications

The TH Series consists of three models: the TH7.42 PLUS, TH7.42 ELITE, and TH9.35 PLUS. Impressive productivity in a wide variety of demanding applications comes standard as all models are equipped with an efficient NEF 4.5-liter Tier 4B engine, a powershift transmission, and powerful hydraulics.

Model		TH7.42 PLUS	TH7.42 ELITE	TH9.35 PLUS
Max engine horsepower		133	133	146
Reach	ft. (m)	22.9 (7.0)	22.9 (7.0)	29.8 (9.1)
Lift Capacity	lbs. (kg)	9,259 (4,200)	9,259 (4,200)	7,716 (3,500)
Transmission		4F/3R Powershift	6F/3R Powershift	4F/3R Powershift





### The power of a PLUS

Delivering maximum productivity without compromising comfort, the TH7.42 PLUS and TH9.35 PLUS are ideal choices for mixed-farm applications. With maximum power output of 133 horsepower, full-time 4WD, a front limited-slip differential, three steering modes for ultimate maneuverability, and a smooth 4F/3R powershift transmission, you'll find plenty of powerful features with a PLUS.

### Elite productivity requires ELITE performance

The TH7.42 ELITE supplies the power, performance, and comfort you need to handle every job. It features 146 horsepower and a 6F/3R full powershift transmission with three shift modes for optimum efficiency and ease. For greater efficiency, the forward and reverse power shuttle can be selected via buttons on the main joystick or the lever mounted on the steering column. This model also features a limited-slip differential on both front and rear axles and a high power-to-weight ratio for heavy material tasks.

### Proudly built in Lecce, Italy

For over 20 years, New Holland telehandlers have delivered unrivalled performance, dependability, and affordability. The TH Series is built on a dedicated production line at CNH Industrial's plant in Lecce, Italy, which also builds New Holland backhoe loaders and compact wheel loaders. The 146-acre plant is one of the company's largest production centers and is a Bronze-level member of its World Class Manufacturing (WCM) program.



## An efficient and comfortable place to work.

A long day doesn't have to feel like one. New Holland's cab design expertise is clear on the 360° Vision Cab. A key advantage is easy cab entry and exit, evident with a wide step and side-entry door, which means no climbing over attachments, or spinning around before narrow door openings to get in the seat. Inside you'll find class-leading space and comfort and excellent all-round visibility with an unparalleled view of the front attachment when fully lowered. This extra visibility is especially beneficial during operation and when changing attachments.



### Less noise, more glass

The 360° Vision Cab and left side of the boom position reduces blind spots over the front of the boom. The wide, deep front screen with slim 'A' pillars further enhances your view. This added visibility is particularly helpful when the boom is fully lowered. When extended, a high-visibility roof with integrated sunshade offers

a perfect view of the loader without compromising your comfort, even at full height. By combining several design elements, in-cab noise levels are just 71 dBA. A key factor in low noise levels is the ECOBlue™ HI-eSCR 2 engine. Clean and efficient, it offers exceptionally low noise inside and outside of the cab.

### Convenient controls

From the comfort of the seat, you'll find a convenient control layout. A tilt and telescopic steering column along with a left-hand, column-mounted shuttle lever provide you with ideal operating comfort. On the right side of the steering column, you'll find a control stalk for windshield wiper operation. Offset to your right is an easy-to-see instrument cluster that shows key operating information with gauges and a digital display. Direction, gear selection, speed, and service information are clearly shown on the screen. PLUS models feature a console-mounted joystick with controls for transmission de-clutch, gear selection, boom, and third functions. On the seat's right armrest in a TH7.42 ELITE, you'll find a perfectly positioned electronic joystick. Functions on the joystick include transmission de-clutch, gear selection, forward and reverse shuttle, boom, and third functions.



### Comfort comes standard

An easy-to-adjust air suspension seat comes standard across the TH Series. For cold-weather comfort, the TH7.42 ELITE seat comes standard with a heating feature, while both PLUS models can be upgraded to this seat.

To ensure comfort regardless of weather conditions, the heating and air-conditioning system pushes air through eight vents that can be easily positioned for fast cool down or defrosting. Knob controls for temperature and fan speed are conveniently located on the side console directly below the instrument cluster. The rear window and door window both open to let in fresh air. To keep out dust, these windows have a secure seal when closed.

# All the power, reliability and efficiency you need.

TH Series telehandlers are powered by a NEF 4.5-liter, 4-cylinder engine built by Fiat Powertrain Technologies (FPT). This engine has been proven in New Holland's T6 Series tractors and is compliant with Tier 4B emissions by using clean ECOBlue™ HI-eSCR technology. This simple after-treatment system uses only clean, fresh air to feed the engine. Optimized combustion improves both performance and consumption of fuel and AdBlue. To minimize power loss, the engine flywheel connects directly to the transmission via a heavy-duty 280-mm torque converter, while a transfer box directs power to the front and rear axles.

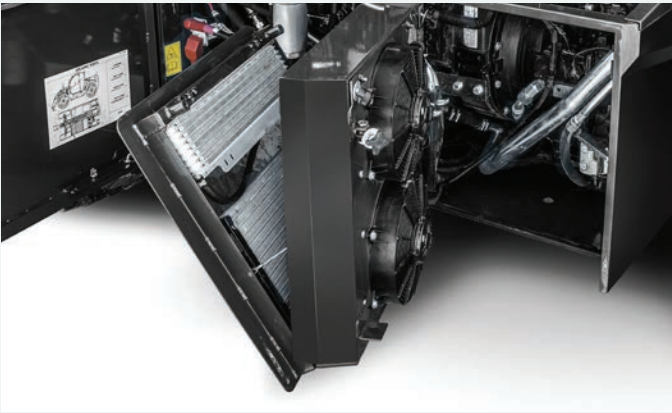


Model		TH7.42 PLUS	TH7.42 ELITE	TH9.35 PLUS
Max engine horsepower	1,800 rpm	133	133	146
Rated engine horsepower	2,200 rpm	121	121	131



### Warm when it's cold

To ensure your telehandler is ready when you are, even in the coldest conditions, an engine grid heater is standard on all models.



### Fans of keeping cool

Every six minutes the engine and cooling package fan will reverse direction for 15 seconds when you engage the standard reversing fan. This helps blow dust and contaminants from the engine radiator, oil cooler and intercooler and helps keep the external engine hood screens free of debris. Working on the same cycle, two separate electrical fans reverse to clean the air-conditioning, fuel cooler and transmission radiators.

### 4F/3R powershift transmission — TH7.42 PLUS and TH9.35 PLUS

Both PLUS models feature a full powershift transmission with four forward and three reverse speeds and clutch-free changes between each gear. Choose your speeds using buttons on the console-mounted joystick and make direction changes with the shuttle lever on the steering column. A top speed of 21 mph (34 kph) is achieved. Two transmission modes are available: Manual and Semi-auto. Semi-Auto is effective in fourth, fifth, and sixth gear and is ideal for short cycle jobs.

### 6F/3R powershift transmission — TH7.42 ELITE

The TH7.42 ELITE features a full powershift transmission with six forward and three reverse speeds. Make all gear and direction changes using the armrest-mounted joystick or the column-mounted shuttle lever. A top speed of 24.8 mph (40 kph) ensures you can get to your next job quicker. With the press of a switch, three modes can be selected: Manual, Semi-Auto, and Full-Auto. Ideal for roading, Full-Auto mode electronically controls the selected gear between second and sixth gear based on your engine and forward speed.



# High capacity maximizes your productivity.

Your productivity won't be limited in restricted spaces and tough conditions thanks to the hydraulic power, maneuverability, and traction on the TH Series. Efficient hydraulics are key to telehandler productivity and that goes beyond pump capacity. Effective use of oil, optimal ram sizes, and control valves all contribute to overall performance. Careful attention to the design of the hydraulic circuit ensures fast cycle times and performance in demanding conditions, including extreme heat. Up to two optional front auxiliary hydraulic outlets, complete with valves and diverters, to control front-mounted attachments can be specified. Additional rear auxiliary lines are also available.

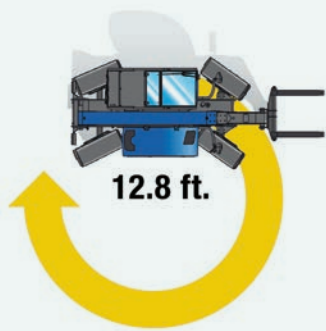


Hydraulic Cycle Times (Unladen)				
Model		TH7.42 PLUS	TH7.42 ELITE	TH9.35 PLUS
Lift / lower	seconds	6.7 / 5.2	6.7 / 5.2	6.7 / 5.2
Extend / retract	seconds	6.2 / 4.5	6.2 / 4.5	7.9 / 6.3
Bucket dump / crowd	seconds	2.8 / 2.9	2.8 / 2.9	2.8 / 2.9

## Variable pump delivers high output at low engine speeds

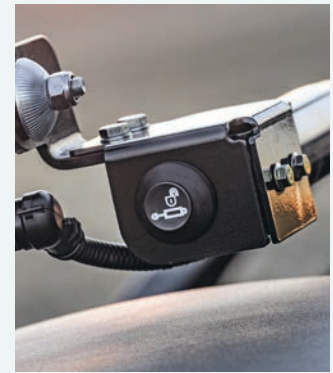
All models are equipped with a high-performance, variable-displacement piston pump with a maximum output of 36.9 gpm (140 lpm). High flow rates are available at all engine speeds, but hydraulics also close down when there is no demand on the system to allow more engine power to divert to the transmission. This is especially valuable in transport or when climbing a steep slope.





### Three electronically selectable steering modes

Maneuverability is key, especially when navigating around tight barnyards, but the TH Series is big on staying nimble. When four-wheel steering mode is engaged, you'll enjoy a turning radius of just 12.8 feet (3.9 m). Crab steer mode lets you move a load in or out of an area in a diagonal direction to easily maneuver around fenceposts or immovable objects. Front-wheel steering works well for general use and transport applications, letting you drive just like a tractor. Auto wheel alignment is standard on all models to realign the wheels when switching between all-wheel, crab, and front steering.



### Auxiliary pressure-release switch

You'll switch attachments over quickly and easily without returning to the cab by pressing the auxiliary pressure-release button located above the front fender.

### Hydraulic wet disc brakes

Designed for longevity and high transport speeds, sealed wet disc brakes are used on both axles. The parking brake (Spring Applied Hydraulic Release—SAHR—System) is activated via a dash-mounted switch.

### Full-time 4WD and auto traction control

All models come standard with full-time 4WD and a front limited-slip differential. The TH7.42 ELITE comes standard with a front and rear limited-slip differential, which directs up to 45% of available torque across the axle to ensure the wheel with the most traction gets power.

### Tire options

460/70 R24 tires are standard and ideal for general-purpose applications and yard work. To enhance flotation, 500/70 R24 tires are optional. Ground clearance at the lowest point under the axles is more than enough for your daily chores or when working over rough terrain.

# Put it to work for the long haul.

Strength and durability are key components of a reliable material-handling machine, and that's exactly why the TH Series telehandler boom and frame are more robust and durable than ever. New Holland uses state-of-the-art manufacturing techniques, like robotic welding, to ensure consistent quality during chassis and boom construction. The perfectly balanced design of the rear boom provides a natural counterbalance when lifting for additional stability and operator safety.

## Shock-load protection

Hydraulic end-stroke dampers are incorporated into the boom rams to automatically ensure the boom smoothly and fully extends and returns to its fully retracted position. This hydraulic damping helps protect the boom and operator from shock loads.

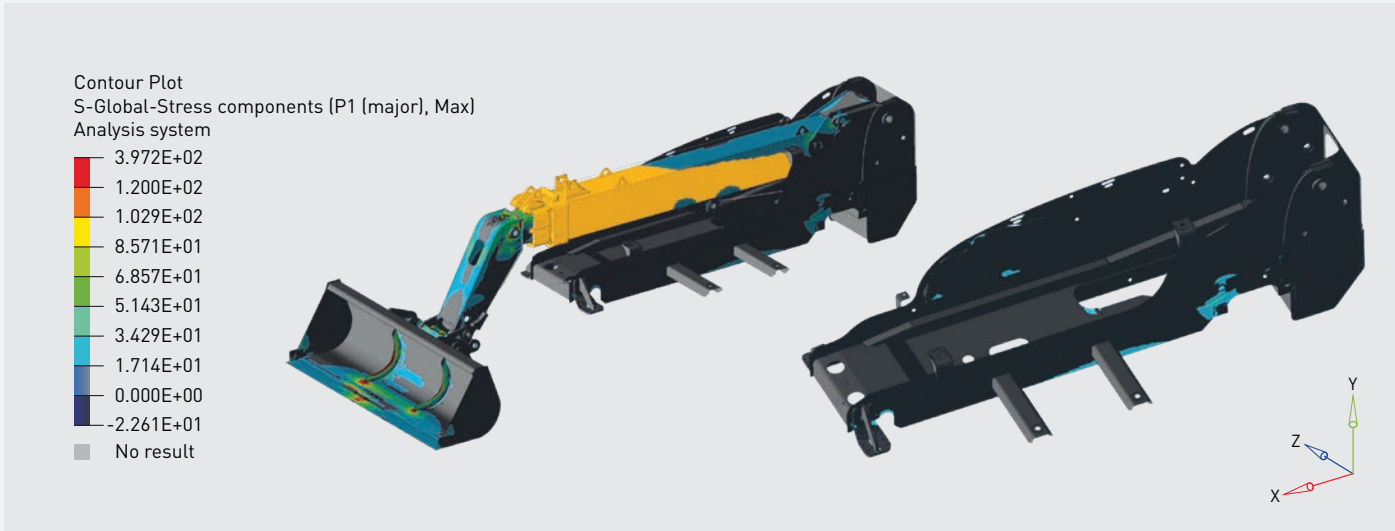
## Stack higher

The low-profile headstock features an attachment angle of almost 45 degrees compared to 90 degrees of previous models. The lower-profile design allows you to stack loads closer to the roof. The standard carrier tilt angle is 14.2 degrees. The hydraulic attachment lock allows you to quickly hookup any Manitou-style attachment.

## Lifting geometry

The main lift ram is positioned under the boom, while the boom compensation cylinder faces rearward near the hinge point. When the boom raises, both cylinders extend in opposite directions. This opposite working-design improves boom control. The boom float option lets your attachment follow the contour of the ground, which is ideal for applications like scraping manure. The system automatically deactivates when the boom exceeds a 35-degree lift angle. Boom float is available on the TH7.42 PLUS and TH9.35 PLUS.



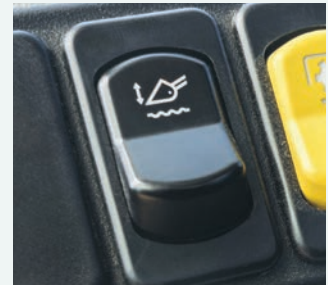


### Rugged boom construction

Based around twin U-shaped 0.39- to 0.47-inch (10- to 12-mm) thick sections, the boom is immensely strong, with heavy-duty pivot pins for optimum durability. Wear pads adjust quickly using a simple screw and lock-nut design, without the need for special tools. Boom brushes prevent debris from entering the sliding sections.

### Heavy-duty chassis

The one-piece, H-shape ladder chassis is made from one-inch- (25-mm-) thick, high-tensile steel that is fully robot-welded to ensure exceptional torsional rigidity. The boom support is exceptionally strong, and its mass helps counterbalance heavy loads.



### A smooth, stable ride

New Holland has engineered the chassis with 40/60 weight distribution to eliminate the need for a counterweight. This design delivers excellent stability and traction when loaded. The mass that would be used in a counterweight is instead built into the chassis to boost its strength.

### Smooth Ride boom suspension

To reduce shock loads when traveling over rough terrain, Smooth Ride boom suspension is standard. Smooth Ride is easily activated with a rocker switch on the dash and automatically deactivated when the boom exceeds a 35-degree lift angle to ensure stability and precise control of your load.

# Easy maintenance comes standard.

New Holland has worked hard to reduce the maintenance demands on the TH Series. As a result, you get long service intervals of 600 hours for both the engine and transmission oils. Twelve daily grease points are featured and banked grease zerks are optional for the axles as well as the lift and compensation cylinders.



## Easy-to-check engine air filter

The engine air filter is easy to inspect, clean, and replace without the need for tools.



## Conveniently-located dipstick

The engine oil level is simple to check during routine service with the easy-to-reach dipstick.

## Compact cooling

The compact cooling package is mounted on a frame that enables the radiators to both swing out and tilt for easy cleaning.

## One-piece hood with gas struts

A large, one-piece hood opens to reveal the main cooling package and top half of the engine. To minimize your effort, two gas struts aid in opening and holding up the hood. The lower side panels swing open to give even more access to the engine, making routine servicing quick and easy.





### Quick refill

The 36.9-gallon (140 liter) fuel and 7.1-gallon (27 liter) AdBlue tanks are located behind the cab. Both can easily be filled simultaneously from the ground.



### Easy-to-adjust telescopic boom pads

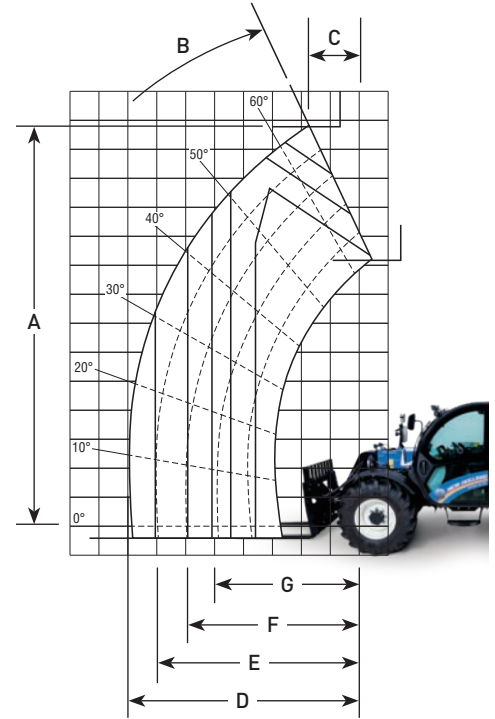
Adjustment of the telescopic boom pads has been simplified. A simple nut screw and lock system makes adjustment quick and easy without needing to remove the boom to add spacers.



### Powerful lights

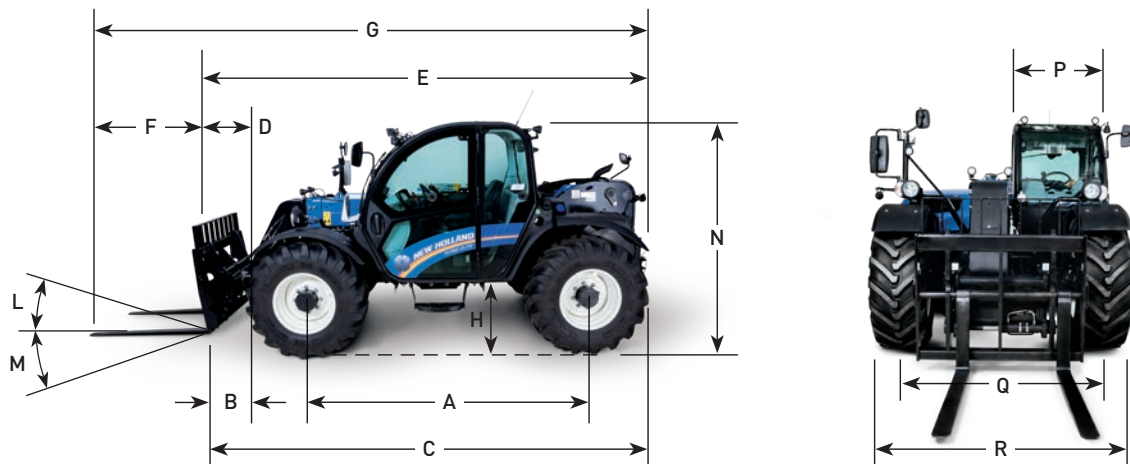
The TH Series comes standard with a powerful lighting package. All models feature dual-beam headlights, stop and taillights, turn signals with four-way flashers, and a trailer light socket. Two work lights are equipped on the front of the cab roof, the rear of the cab roof, and the boom. The TH7.42 ELITE features an additional side work light and LEDs for maximum visibility.

Model		TH7.42 PLUS	TH7.42 ELITE	TH9.35 PLUS
Max lift capacity	lbs. (kg)	9259 (4200)	9259 (4200)	7716 (3500)
Lift capacity at full height	lbs. (kg)	5511 (2500)	5511 (2500)	3306 (1500)
Lift capacity at full reach	lbs. (kg)	3306 (1500)	3306 (1500)	1102 (500)
A - Max lift height	in. (mm)	276 (7000)	276 (7000)	360 (9150)
B - Max lift angle	degrees	65	65	61
C - Reach at max lift height	in. (mm)	33 (850)	33 (850)	105 (2660)
D - Max forward reach	lbs. (kg)	8928 (4050)	8928 (4050)	14991 (6800)
E - Reach with 4409 lbs. (2000 kg)	in. (mm)	138 (3500)	138 (3500)	136 (3470)
F - Reach with 3306 lbs. (1500 kg)	in. (mm)	159 (4050)	159 (4050)	166 (4220)
G - Reach with 2205 lbs. (1000 kg)	in. (mm)	159 (4050)	159 (4050)	208 (5280)



Model		TH7.42 PLUS	TH7.42 ELITE	TH9.35 PLUS
A - Wheelbase	in. (mm)	118 (3000)	118 (3000)	118 (3000)
B - Axle to carrier	in. (mm)	50 (1280)	50 (1280)	59 (1510)
C - Carrier to rear of machine*	in. (mm)	201 (5110)	201 (5110)	210 (5340)
D - Axle to fork heel	in. (mm)	56 (1410)	56 (1410)	65 (1640)
E - Fork heel to rear of machine*	in. (mm)	206 (5240)	206 (5240)	215 (5470)
F - Pallet forks length	in. (mm)	47 (1200)	47 (1200)	47 (1200)
G - Overall length	in. (mm)	261 (6440)	261 (6440)	263 (6670)
H - Ground clearance	in. (mm)	16 (415)	16 (415)	16 (415)
L - Rollback angle	Degrees	24	24	24
M - Dump angle	Degrees	118	118	118
Total angle	Degrees	142	142	142
N - Cab height	in. (mm)	96 (2445)	96 (2445)	96 (2445)
P - Cab width	in. (mm)	40 (1020)	40 (1020)	40 (1020)
Q - Wheel track	in. (mm)	72 (1840)	72 (1840)	74 (1870)
R - Overall width (outside tires)	in. (mm)	92 (2340)	92 (2340)	92 (2340)
Turning radius outside tires - 4WS	in. (mm)	154 (3910)	154 (3910)	154 (3910)
Operating weight**	lbs. (kg)	315 (8000)	315 (8000)	338 (8580)

Dimensions based on machines with 460/70 R42 tires \*Without rear hitch \*\*Includes forks, full fuel tank and driver



MODELS	TH7.42 PLUS	TH7.42 ELITE	TH9.35 PLUS
<b>Engine</b>			
Type	4 Cylinder - FPT NEF Tier 4B Common Rail	4 Cylinder - FPT NEF Tier 4B Common Rail	4 Cylinder - FPT NEF Tier 4B Common Rail
ECObLue™ HI-eSCR system (Selective Catalytic Reduction)	•	•	•
Aspiration	Turbo intercooler	Turbo intercooler	Turbo intercooler
Displacement	cu. in. (L)	274 (4.5)	274 (4.5)
Max power ISO14396 - ECE R120 @ rpm	hp (kW)	133 (98) @ 1800	146 (107) @ 1800
Rated power ISO14396 - ECE R120 @ rpm	hp (kW)	121 (89) @ 2200	131 (96) @ 2200
Max. torque ISO14396 - ECE R120 @ rpm	ft. lbs. (Nm)	405 (549) @ 1500	435 (590) @ 1500
<b>Transmission</b>			
Type	Powershift	Powershift	Powershift
Speed	4F/3R	6F/3R	4F/3R
Gear shifting control	Incorporated on joystick	Incorporated on joystick	Incorporated on joystick
F-N-R integrated on joystick	—	•	—
F-N-R Shuttle lever on steering column	•	•	•
Max Speed	mph (kph)	21 (34)	21 (34)
<b>Service Brakes</b>			
Actuation	Hydraulic power assisted	Hydraulic power assisted	Hydraulic power assisted
All four wheels	Standard	Standard	Standard
Type	Oil immersed discs	Oil immersed discs	Oil immersed discs
Discs per axle	6 front - 4 rear axle	6 front axle - 4 rear axle	6 front axle - 4 rear axle
<b>Parking Brake</b>			
Actuation	Front axle SAHR (Spring Actuated Hydraulic Release)	Front axle SAHR (Spring Actuated Hydraulic Release)	Front axle SAHR (Spring Actuated Hydraulic Release)
Type	Oil immersed discs	Oil immersed discs	Oil immersed discs
<b>Axles</b>			
Limited slip differential front axle	•	•	•
Limited slip differential rear axle	•	•	•
<b>Capacities</b>			
Hydraulic oil tank	gal. (L)	27.7 (105)	27.7 (105)
Fuel tank / AdBlue tank	gal. (L)	36.9 (140) / 7.1 (27)	36.9 (140) / 7.1 (27)
Engine oil	gal. (L)	3.2 (12)	3.2 (12)
<b>Hydraulic</b>			
Variable pump	gpm (l/min)	36.9 (140)	36.9 (140)
<b>Boom Controls</b>			
Lift	Pilot	Electro proportional	Pilot
Tilt	Pilot	Electro proportional	Pilot
Extension	Electro proportional	Electro proportional	Electro proportional
Headstock auxiliary	Electrohydraulic	Electro proportional	Electrohydraulic
<b>Hydraulic Cycle Times (unloaded)</b>			
Lift / lower	seconds	6.7 / 5.2	6.7 / 5.2
Extend / retract	seconds	6.2 / 4.5	7.9 / 6.3
Bucket dump / bucket crowd	seconds	2.8 / 2.9	2.8 / 2.9
<b>Cab</b>			
Max noise level	dB(A)	71	71
Vision	degrees	360	360
Air conditioning	•	•	•
Air suspension seat	•	—	•
Heated air suspension seat	◦	•	◦
Joystick mounting location	Console mounted	Seat mounted	Console mounted
Steering column	Tilt and telescopic	Tilt and telescopic	Tilt and telescopic
Steering mode options	2WS / 4WS / crab	2WS / 4WS / crab	2WS / 4WS / crab
<b>Steering Mode Selection</b>			
Manual selection with front & rear pilot lights	•	—	•
Manual selection with automatic alignment	—	•	—
<b>Tires</b>			
460/70 R24	•	•	•
500/70 R24	◦	◦	◦
Pattern type	Agricultural / industrial	Agricultural / industrial	Agricultural / industrial

• Standard ◦ Optional – Not available

# One machine for all your chores.

In addition to the long list of Manitou-style factory-supplied attachments from buckets to bale spears, adapter plates are available to mount skid steer attachments. The standard in-cab hydraulic attachment locking system and boom auxiliary hydraulics make the TH telehandler even more versatile as a multi-tool carrier.



## Buckets

- 2.25 cu yd. 96-inch-wide bucket
- 3.25 cu yd. 96-inch-wide bucket

## Silage

- Silage bunker defacer

## Fixed Pallet Forks

- (x2) 48-inch-long 4-inch-wide Manitou-style fork frame with hook-style forks

## Bale Handling

- Bale spike
- Double spike round bale spear
- Large square bale grab
- Large square bale fork
- 2.5 cu yd. hay grapple bucket



Learn more at [www.newholland.com](http://www.newholland.com)



Design, materials and/or specifications are subject to change without notice and without liability therefor. Specifications are applicable to units sold in Canada, the United States, its territories and possessions, and may vary outside these areas.

© 2023 CNH Industrial America LLC. All rights reserved. New Holland is a trademark registered in the United States and many other countries, owned by or licensed to CNH Industrial N.V., its subsidiaries or affiliates. Any trademarks referred to herein, in association with goods and/or services of companies, other than owned by or licensed to CNH Industrial N.V., its subsidiaries or affiliates, are the property of those respective companies.



Safety begins with a thorough understanding of the equipment. Always make sure you and your operators read the Operator's Manual before using the equipment. Pay close attention to all safety and operating decals and never operate machinery without all shields, protective devices and structures in place.