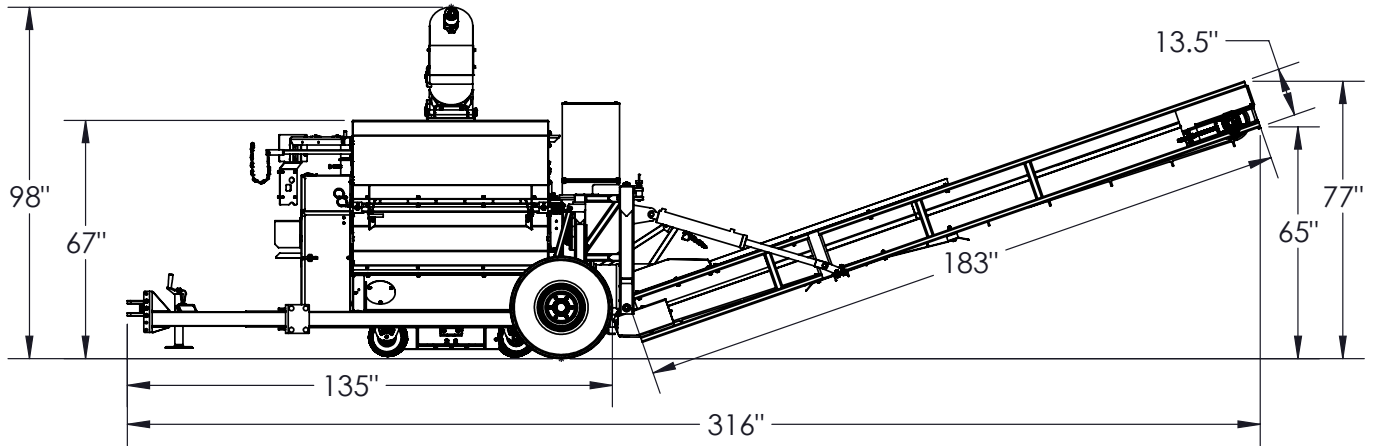


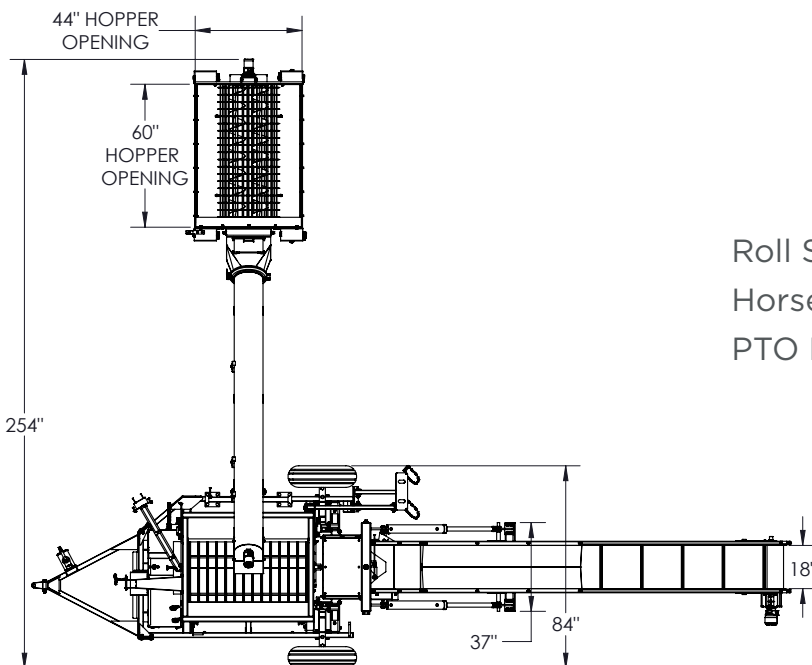
# Automatic

## ATG6020 Swing Under Intake with 18" Conveyor Discharge



- Maximum capacity, versatility, and transportability
- Heavy-duty PTO with shear bolt
- High carbon steel rolls
- Fatigue proof shafts
- One roll turns faster to prevent plugging and increase capacity

| Roll Configuration | Dry Corn    | High Moisture Corn | Soybeans    | Milo        | Small Grains |
|--------------------|-------------|--------------------|-------------|-------------|--------------|
| 4                  | 6300 bsh/hr | 5900 bsh/hr        |             |             |              |
| 6.5                | 4050 bsh/hr | 3600 bsh/hr        | 3420 bsh/hr | 3525 bsh/hr | 1760 bsh/hr  |
| 8                  | 3510 bsh/hr | 3120 bsh/hr        | 2760 bsh/hr | 3165 bsh/hr | 2370 bsh/hr  |
| 10                 | 2970 bsh/hr | 2640 bsh/hr        | 2340 bsh/hr | 2820 bsh/hr | 2115 bsh/hr  |



Roll Size: 14" x 54"  
 Horsepower: 180 (minimum)  
 PTO RPM: 1000

email: [info@automaticag.com](mailto:info@automaticag.com)  
 800-336-4336 • [automaticag.com](http://automaticag.com)