



Automatic

More Gain From Your Grain



Jim S

Automatic's equipment is simply top notch and has had a big impact on my bottom line.

I highly recommend Automatic!



Mike W

I have been very impressed with the conversion I am getting on my ATG 10000.

Its the best piece of equipment I have ever owned!



Jason K

Working with the Alec has been great. Every question I had was promptly answered.

I couldn't be happier with my purchase!



Building innovative products for the agricultural market since 1925

The Automatic Difference

More Farmers Are Choosing Automatic, one of the most energy-efficient methods of processing all types of feed grains.

Whether you are feeding beef, pork, dairy or poultry, you will get more from your grain with Automatic.

Make 4 bushels do the work of five. Get more milk per cow. Faster, more economical gains. All livestock thrives on rolled grain.

Improved Palatability & Digestibility

It is just like cracking nuts, the roller mill cracks the grain lightly, just enough to break the seed coat without reducing the meat inside to flour. The digestible nutrients can then be assimilated for consistently higher rates of gain. Without cracking, much of the grain will pass through the animal whole.

Avoid Feed Waste & Respiratory Ailments

Dust-free rolled grain will not be “wind blown” out of the feed bunk. Your livestock will eat it all, and they will avoid respiratory problems caused by inhaling “powdered feeds.”

Save Horsepower

Whether you want to roll your grain coarse, medium or fine, wet or dry, Automatic mills require one-third less horsepower than other mills.

Versatility

Roller mills will process corn, milo, oats, barley, and wheat. You choose the particle reduction size best suited for your livestock. Set your rolls and let Automatic do the rest.

800-336-4336 • automaticag.com

email: info@automaticag.com



Chill Cast Rolls **VS** Automatic Hardened Steel Rolls

Inexpensive Chill Cast Rolls

- Chill cast iron costs less for the manufacturer than hardened steel due to the lower material, energy, and labor costs required to produce finished rolls
- Chill cast iron has poor corrosion resistance, meaning that they constantly need to be resharpened in order to achieve consistent feed quality
- Cast iron easily warps without shattering, this rubber band effect leads to long term negative effects on all working aspects of the mill
- The lifetime cost of ownership is much higher than hardened steel rolls

Automatic High Quality Hardened Steel Rolls

- Automatic Hardened Steel is more expensive because it's better material. Regular maintenance requirements are drastically reduced, saving time and money in the long-term
- Hardened Steel has 1.5 x the modulus of elasticity of chill cast steel, leading to less warping of material on shaft. The entire mill will last longer, providing years of trouble-free operation
- No need for constant resharpening and reworking to mill quality grain
- Harder, stronger rolls that deliver consistent feed quality for years at a lower lifetime cost



Roy Ritter, RKR Feedlot

West Point, Nebraska

Our Automatic 10K Electric mill is an outstanding machine. We use two one-thousand bushel dump pits.

On our biggest day, we process 145,000 bushels through the mill at about 9000 bushels per hour with 25 to 28% moisture.

I no longer dread high-moisture corn season.



ATG10000 Electric

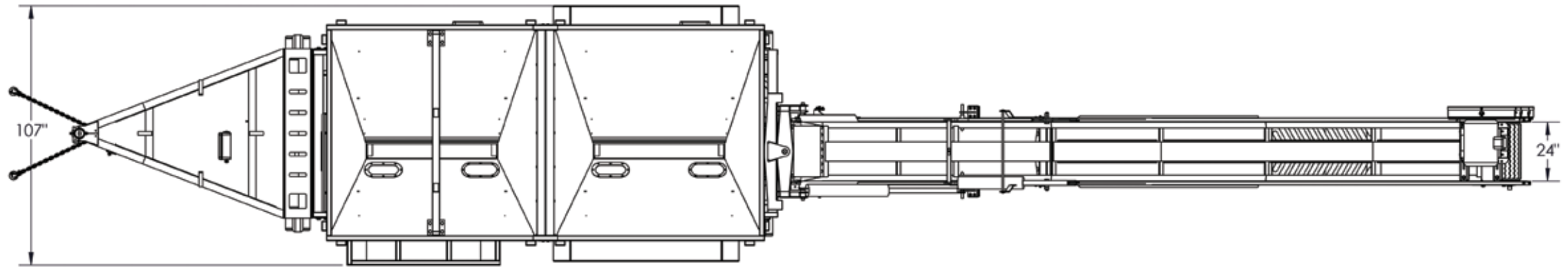
ATG10000 Electric

Features

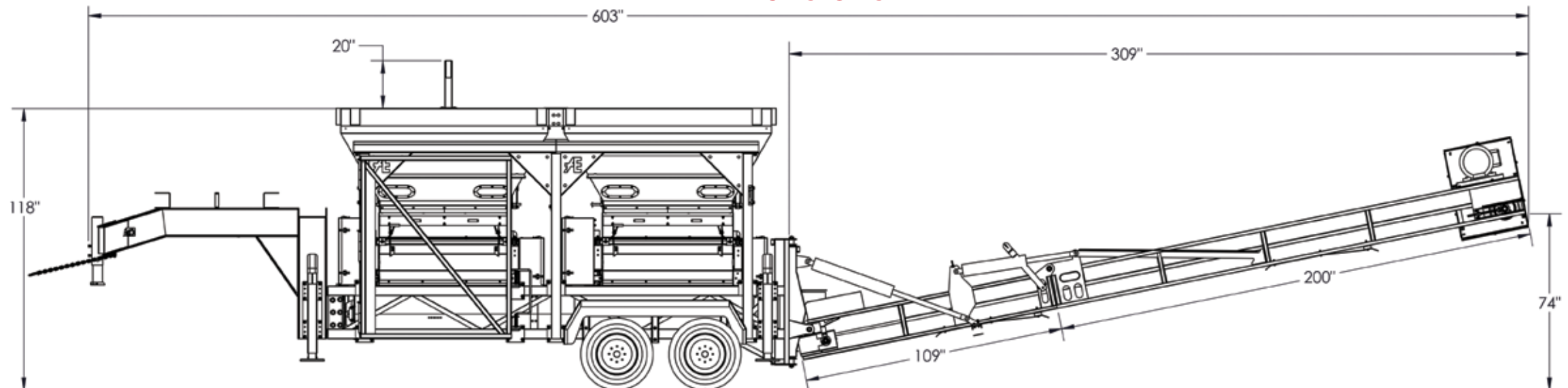
- Sequential electric start up/shut down
- Electric hopper grates
- Rolls: 14" hardened to 56 Rockwell C
- Quick adjust rolls
- Magnetic grates
- Designed for quick and easy serviceability
- Each basic controlled by an individual motor
- Torsion axle suspension

Specifications

- 10,000 bu/hr capacity
- 350 bushel hopper
- 24" discharge conveyor
- 2-100 HP motors



Dimensions





ATG10000 PTO

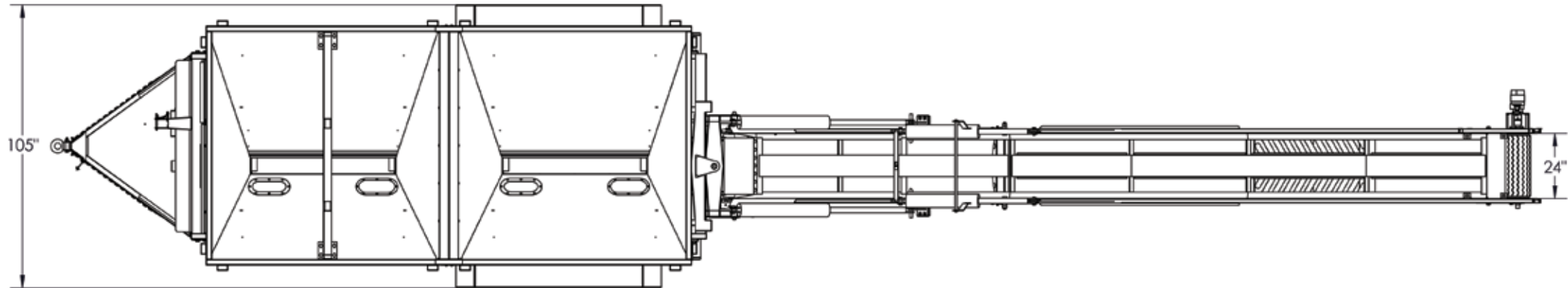
ATG10000 PTO

Features

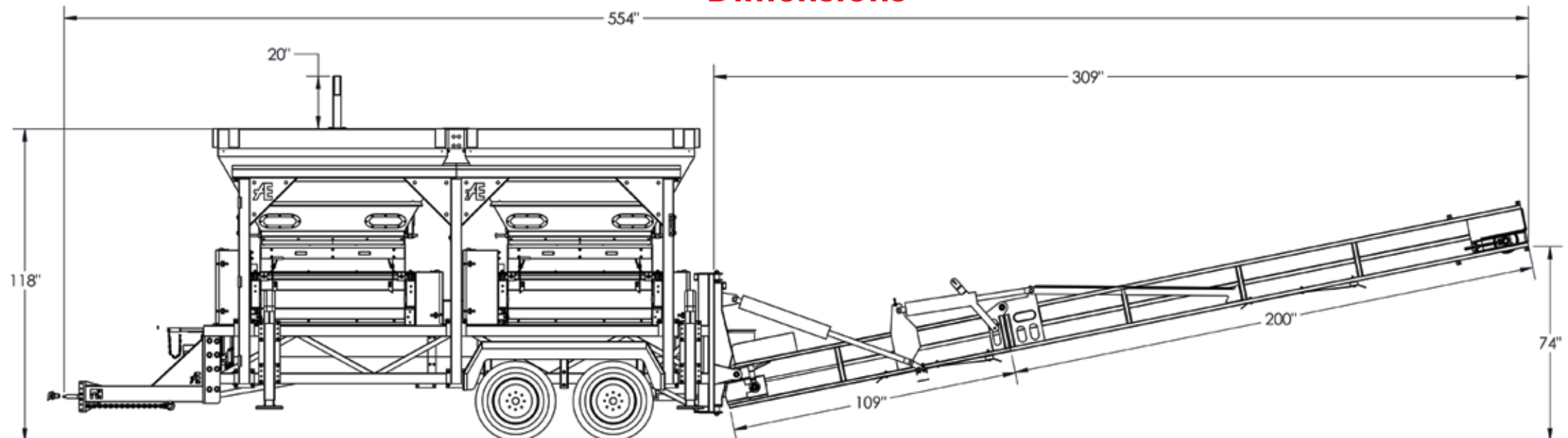
- Electric hopper grates
- Rolls: 14" hardened to 56 Rockwell C
- Quick adjust rolls
- Magnetic grates
- Designed for quick and easy serviceability
- Torsion axle suspension

Specifications

- 10,000 bu/hr capacity
- 350 bushel hopper
- 24" discharge conveyor
- PTO Driven



Dimensions





Beller Feedlot Lindsay, Nebraska

Real World Results

- 3 lbs of additional gain per head
- 1¢ better cost of grain = 64lbs less feed per head
- 4.48% higher grade out on Prime/Certified Angus Beef
- 1.88% better conversion


ATG15000 Electric

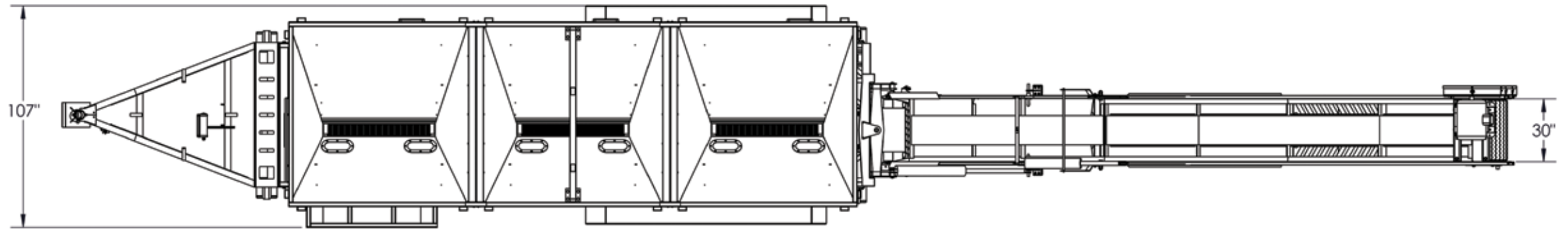
ATG15000 Electric

Features

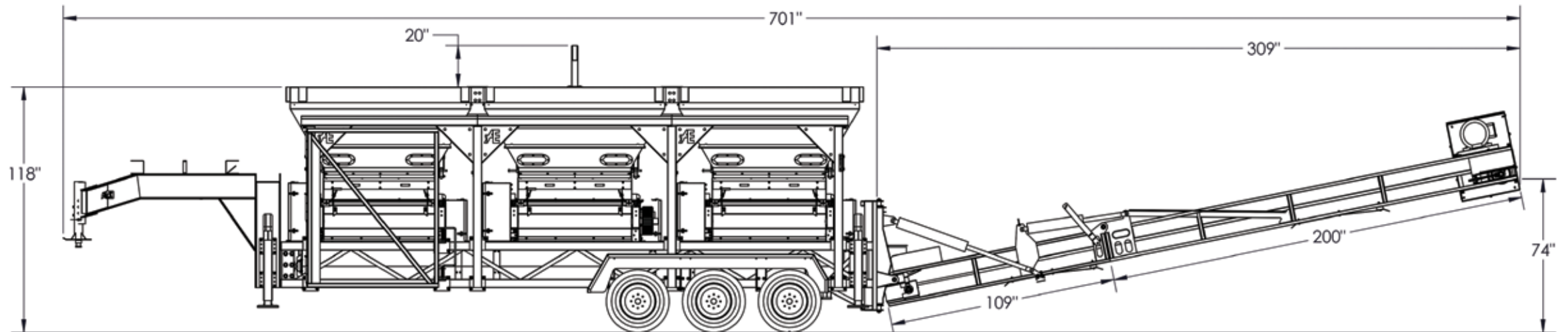
- Sequential electric start up/shut down
- Electric hopper grates
- Rolls: 14" hardened to 56 Rockwell C
- Quick adjust rolls
- Magnetic grates
- Designed for quick and easy serviceability
- Each basic controlled by an individual motor
- Torsion axle suspension

Specifications

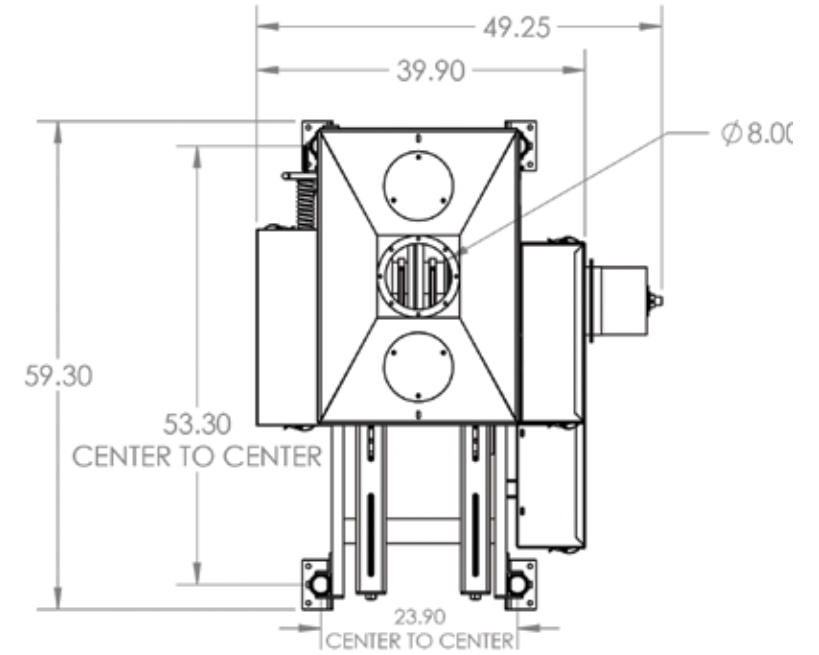
- 15,000 bu/hr capacity
- 500 bushel hopper
- 30" discharge conveyor
- 3-100 HP motors



Dimensions



AE CSU 1000



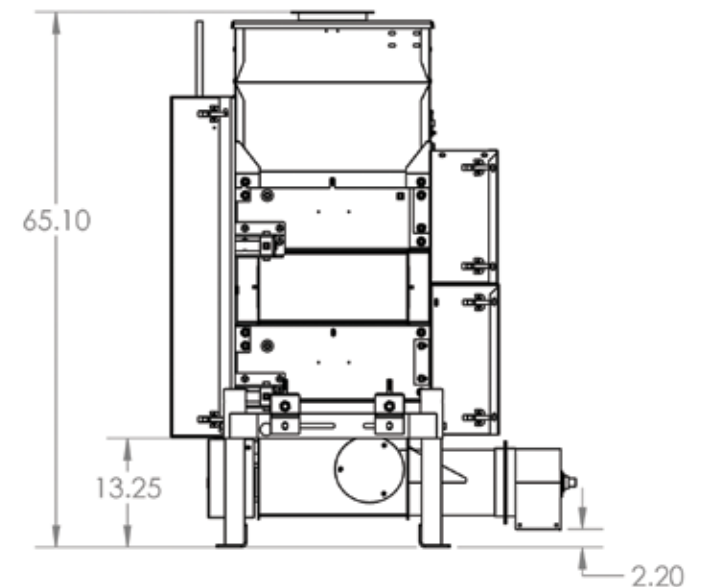
Dimensions

Features

- Two-stage reduction process for maximum control
- Top rolls are coarse for primary reduction
- Bottom rolls are fine to produce the exact amount of reduction required for the job
- One point adjustment sets the gap between the rolls to control particle size.

Specifications

Roll Size	9"D x 18" L (23 x 46)
Shaft Size	2.00" (5.1)
Drive Belts (motor & rolls)	4
Weight (less motor)	1560 lb (708)
Length	61" (155)
Height	65" (165)

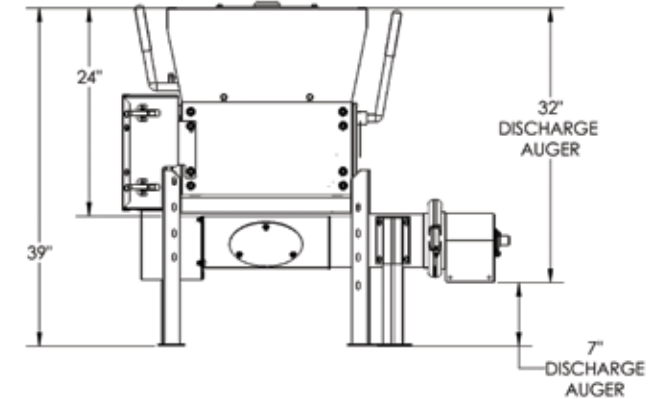
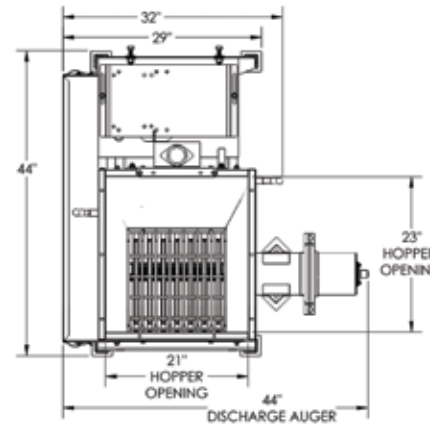




Low Profile Electric Roller Mills



Dimensions



LPE700

Roll Configuration	Dry Corn	High Moisture Corn	Soybeans	Milo	Small Grains
4	700 bsh/hr	600 bsh/hr			
6.5	520 bsh/hr	450 bsh/hr	420 bsh/hr	400 bsh/hr	300 bsh/hr
8	450 bsh/hr	390 bsh/hr	380 bsh/hr	380 bsh/hr	270 bsh/hr
10	330 bsh/hr	300 bsh/hr	270 bsh/hr	270 bsh/hr	240 bsh/hr

Features

- Economical and versatile
- Mount under low discharge outlets
- Auger options for discharge
- Set rolls with a single lever

Features

- Economical and versatile
- Mount under low discharge outlets
- Auger options for discharge
- Set rolls with a single lever

Specifications

Roll Size: 9"x 14"

Weight: 570 lbs

Horsepower: 7.5-10



Low Profile Electric Roller Mills

Features

- Economical and versatile
- Mount under low discharge outlets
- Auger options for discharge
- Set rolls with a single lever

LPM200

Roll Configuration	Dry Corn	High Moisture Corn	Soybeans	Milo	Small Grains
4	250 bsh/hr	200 bsh/hr			
6.5	180 bsh/hr	150 bsh/hr		160 bsh/hr	100 bsh/hr
8	160 bsh/hr	130 bsh/hr		144 bsh/hr	90 bsh/hr
10	140 bsh/hr	110 bsh/hr		130 bsh/hr	80 bsh/hr

Roll Size: 6"x 8"

Weight: 370 lbs

Horsepower: 3-5

Specifications

LPE500

Roll Configuration	Dry Corn	High Moisture Corn	Soybeans	Milo	Small Grains
4	450 bsh/hr	400 bsh/hr			
6.5	330 bsh/hr	300 bsh/hr	260 bsh/hr	320 bsh/hr	200 bsh/hr
8	260 bsh/hr	290 bsh/hr	230 bsh/hr	280 bsh/hr	180 bsh/hr
10	250 bsh/hr	220 bsh/hr	200 bsh/hr	260 bsh/hr	160 bsh/hr

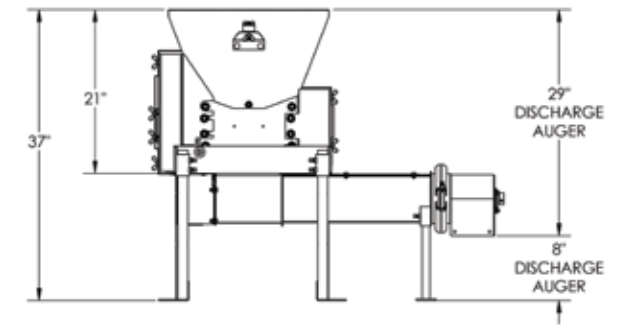
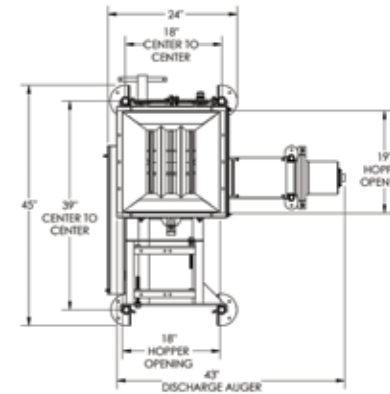
Roll Size: 9"x 10"

Weight: 480 lbs

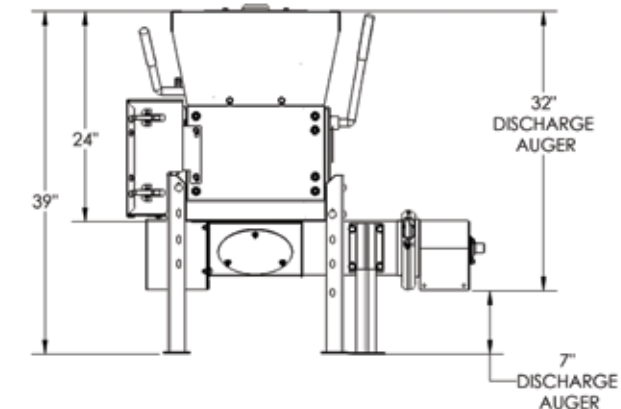
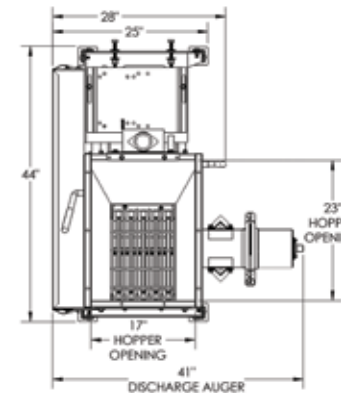
Horsepower: 5-7.5

Specifications

Dimensions



Dimensions





Large Capacity Electric Roller Mills

Features

- Large volume processing
- 9", 12" or 14" inch diameter rolls up to 36", 48" or 54" in length
- Corrugations available for the right particle size from coarse to fine
- Complete unit includes the basic mill with fast roll, belt drive, motor mount, mill and motor pulleys



ABC900



Large Capacity Electric Roller Mills

Features

- Large volume processing
- 9", 12" or 14" inch diameter rolls up to 36", 48" or 54" in length
- Corrugations available for the right particle size from coarse to fine
- Complete unit includes the basic mill with fast roll, belt drive, motor mount, mill and motor pulleys

ABC900

Roll Configuration	Dry Corn	High Moisture Corn	Soybeans	Milo	Small Grains
4	900 bsh/hr	700 bsh/hr			
6.5	670 bsh/hr	520 bsh/hr	540 bsh/hr	600 bsh/hr	450 bsh/hr
8	580 bsh/hr	450 bsh/hr	480 bsh/hr	540 bsh/hr	400 bsh/hr
10	490 bsh/hr	380 bsh/hr	390 bsh/hr	480 bsh/hr	360 bsh/hr

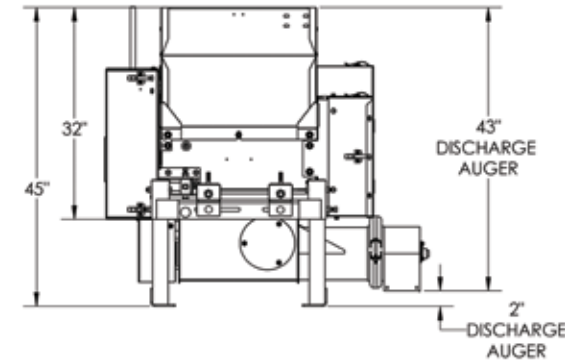
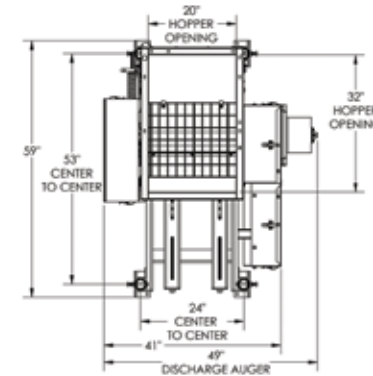
Specifications

Roll Size: 9"x 18"

Weight: 750 lbs

Horsepower: 10-15

Dimensions



ABC1800

Roll Configuration	Dry Corn	High Moisture Corn	Soybeans	Milo	Small Grains
4	1800 bsh/hr	1600 bsh/hr			
6.5	1350 bsh/hr	1200 bsh/hr	1080 bsh/hr	1200 bsh/hr	900 bsh/hr
8	1170 bsh/hr	1040 bsh/hr	930 bsh/hr	1080 bsh/hr	810 bsh/hr
10	990 bsh/hr	880 bsh/hr	780 bsh/hr	970 bsh/hr	720 bsh/hr

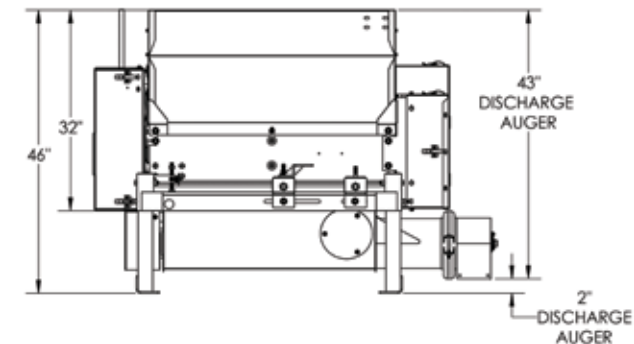
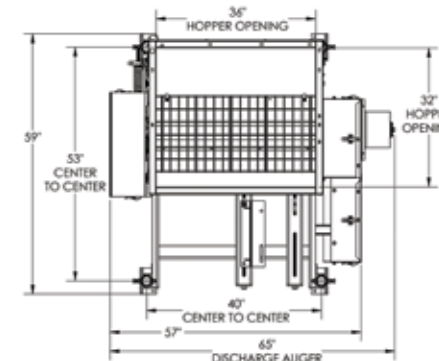
Specifications

Roll Size: 9"x 34"

Weight: 1100 lbs

Horsepower: 25-30

Dimensions





Large Capacity Electric Roller Mills

Features

- Large volume processing
- 9", 12" or 14" inch diameter rolls up to 36", 48" or 54" in length
- Corrugations available for the right particle size from coarse to fine
- Complete unit includes the basic mill with fast roll, belt drive, motor mount, mill and motor pulleys

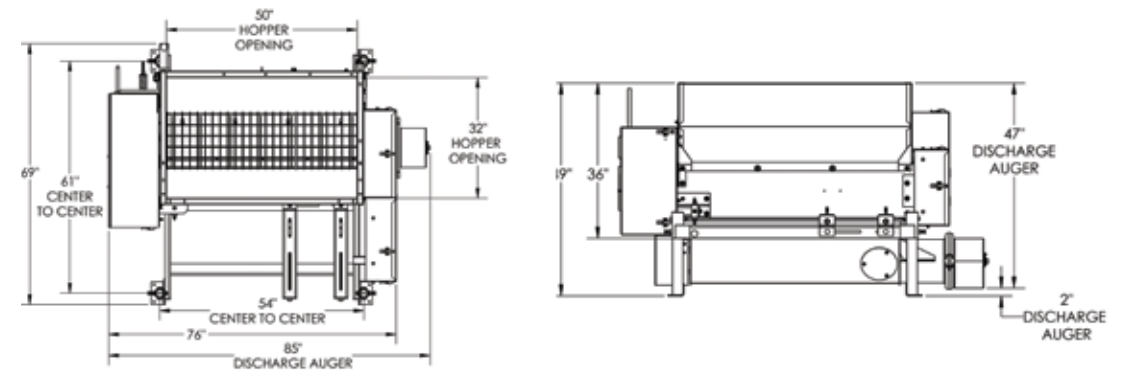
ABC3600

Roll Configuration	Dry Corn	High Moisture Corn	Soybeans	Milo	Small Grains
4	3600 bsh/hr	3200 bsh/hr			
6.5	2700 bsh/hr	2400 bsh/hr	2160 bsh/hr	2350 bsh/hr	1760 bsh/hr
8	2340 bsh/hr	2080 bsh/hr	1840 bsh/hr	2110 bsh/hr	1580 bsh/hr
10	1980 bsh/hr	1760 bsh/hr	1560 bsh/hr	1880 bsh/hr	1410 bsh/hr

Specifications

Roll Size: 12"x 48"
 Weight: 1850 lbs
 Horsepower: 60-75

Dimensions



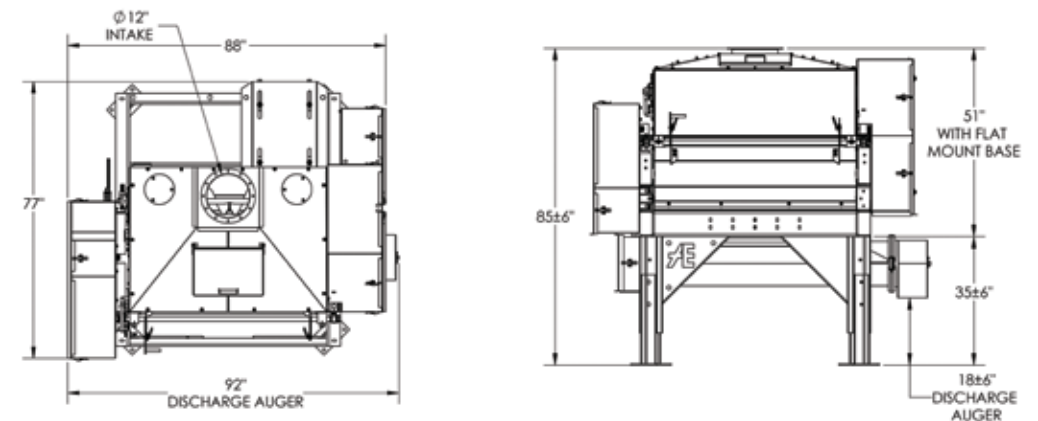
ABC5000

Roll Configuration	Dry Corn	High Moisture Corn	Soybeans	Milo	Small Grains
4	6300 bsh/hr	5900 bsh/hr			
6.5	4050 bsh/hr	3600 bsh/hr	3420 bsh/hr	3525 bsh/hr	1760 bsh/hr
8	3510 bsh/hr	3120 bsh/hr	2760 bsh/hr	3165 bsh/hr	2370 bsh/hr
10	2970 bsh/hr	2640 bsh/hr	2340 bsh/hr	2820 bsh/hr	2115 bsh/hr

Specifications

Roll Size: 14"x 54"
 Weight: 5500 lbs
 Horsepower: 100, 1800RPM

Dimensions





Large Capacity PTO Trailer Mills

Features

- Maximum capacity, versatility, and transportability
- Heavy-duty PTO with shear bolt
- High carbon steel rolls
- Fatigue proof shafts
- One roll turns faster to prevent plugging and increase capacity



ATG3620



Large Capacity PTO Trailer Mills

ATG900A

Roll Configuration	Dry Corn	High Moisture Corn	Soybeans	Milo	Small Grains
4	900 bsh/hr	700 bsh/hr			
6.5	670 bsh/hr	520 bsh/hr	540 bsh/hr	600 bsh/hr	450 bsh/hr
8	580 bsh/hr	450 bsh/hr	480 bsh/hr	540 bsh/hr	400 bsh/hr
10	490 bsh/hr	380 bsh/hr	390 bsh/hr	390 bsh/hr	360 bsh/hr

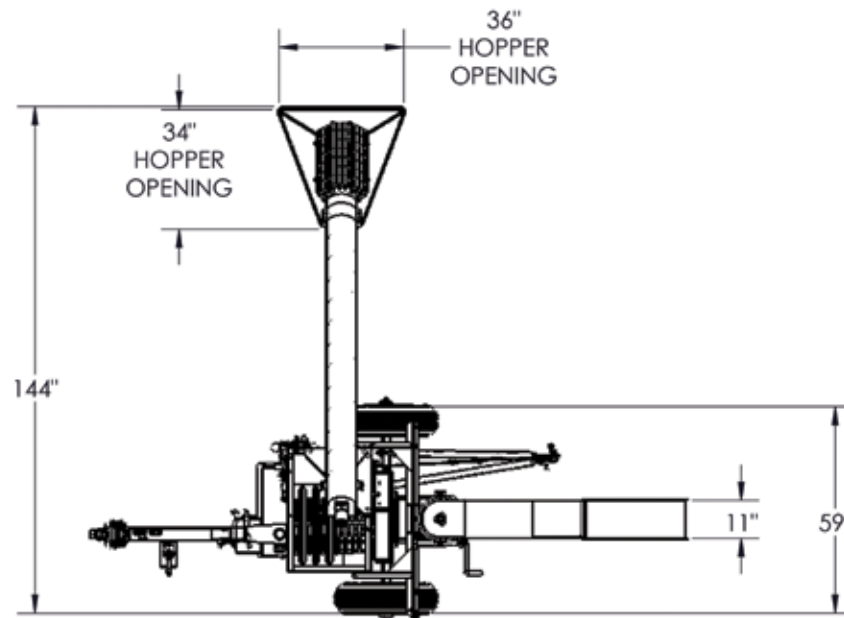
Features

- Maximum capacity, versatility, and transportability
- Heavy-duty PTO with shear bolt
- High carbon steel rolls
- Fatigue proof shafts
- One roll turns faster to prevent plugging and increase capacity

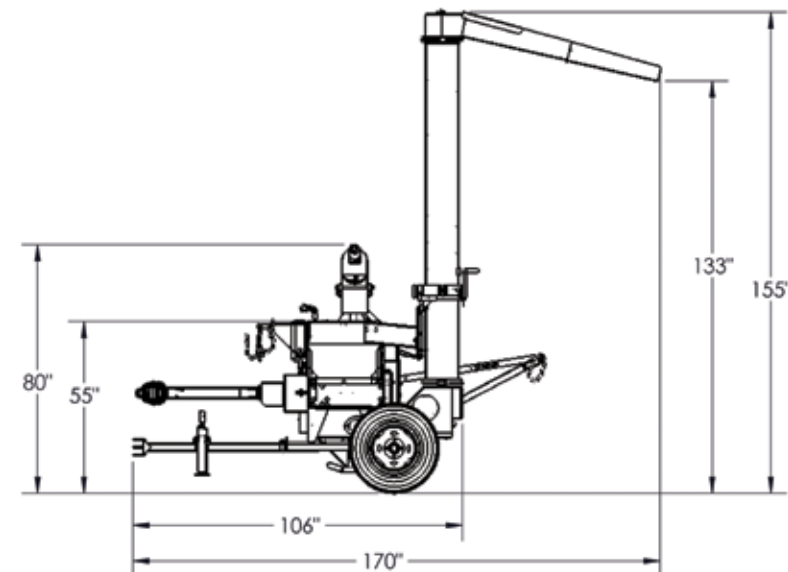
Specifications

Roll Size: 9"x 34" Horsepower: 70/90
 Weight: 2500/2450 lbs PTO RPM: 540

Dimensions



ATG900 STANDARD INTAKE & DISCHARGE AUGER





Large Capacity PTO Trailer Mills

ATG1820A Auger Discharge • ATG1820B Blower Discharge

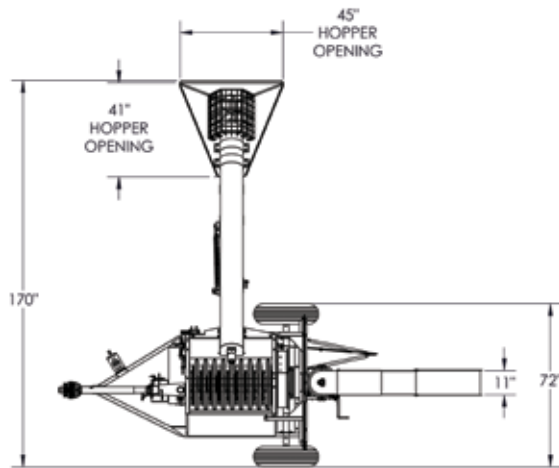
Roll Configuration	Dry Corn	High Moisture Corn	Soybeans	Milo	Small Grains
4	1800 bsh/hr	1600 bsh/hr			
6.5	1350 bsh/hr	1200 bsh/hr	1080 bsh/hr	1200 bsh/hr	900 bsh/hr
8	1040 bsh/hr	1040 bsh/hr	930 bsh/hr	1080 bsh/hr	810 bsh/hr
10	880 bsh/hr	880 bsh/hr	780 bsh/hr	970 bsh/hr	720 bsh/hr

Features

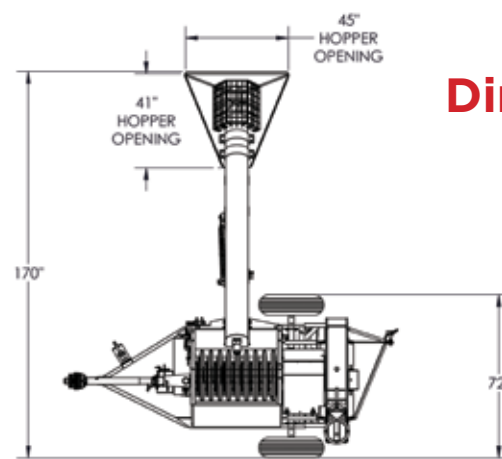
- Maximum capacity, versatility, and transportability
- Heavy-duty PTO with shear bolt
- High carbon steel rolls
- Fatigue proof shafts
- One roll turns faster to prevent plugging and increase capacity

Specifications

Roll Size: 9"x 34"
 Weight: 2500/2450 lbs
 Horsepower: 70/90
 PTO RPM: 540

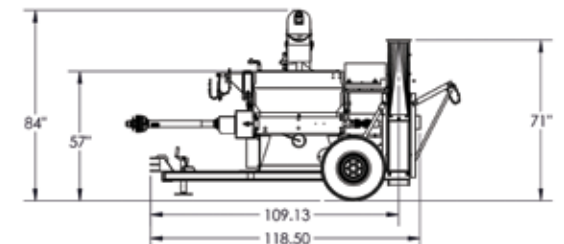
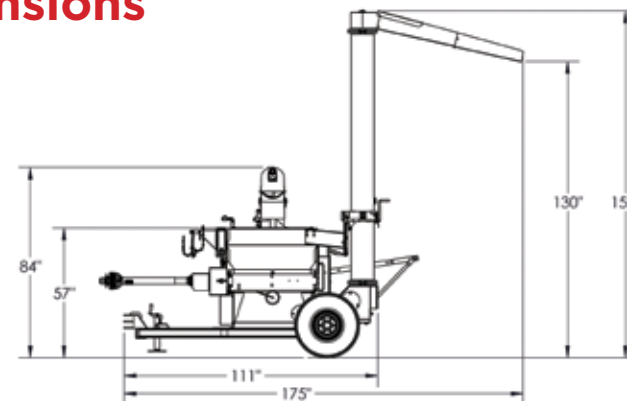


ATG1820 STANDARD INTAKE & DISCHARGE AUGER



ATG1820 STANDARD INTAKE & BLOWER DISCHARGE

Dimensions





Large Capacity PTO Trailer Mills

ATG3620A Auger Discharge • ATG3620B Blower Discharge

Roll Configuration	Dry Corn	High Moisture Corn	Soybeans	Milo	Small Grains
4	3600 bsh/hr	3200 bsh/hr			
6.5	2700 bsh/hr	2400 bsh/hr	2160 bsh/hr	2350 bsh/hr	1760 bsh/hr
8	2340 bsh/hr	2080 bsh/hr	1840 bsh/hr	2110 bsh/hr	1580 bsh/hr
10	1980 bsh/hr	1760 bsh/hr	390 bsh/hr	1880 bsh/hr	1410 bsh/hr

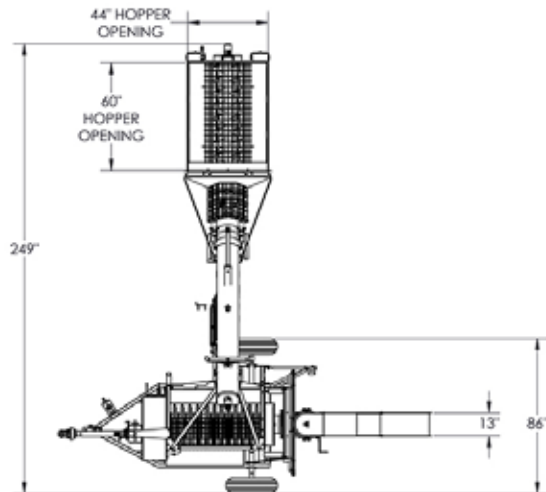
Features

- Maximum capacity, versatility, and transportability
- Heavy-duty PTO with shear bolt
- High carbon steel rolls
- Fatigue proof shafts
- One roll turns faster to prevent plugging and increase capacity

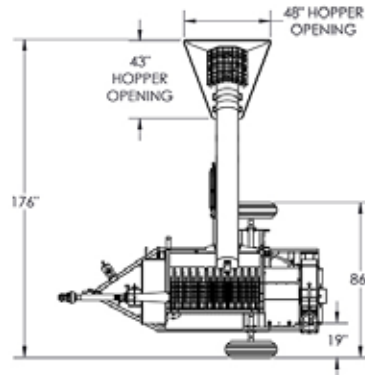
Specifications

Roll Size: 12"x 48"
 Weight: 3500/2900 lbs
 Horsepower: 110/130
 PTO RPM: 1000

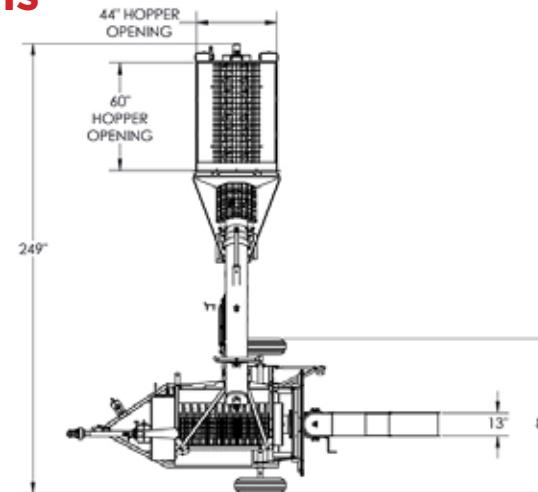
Dimensions



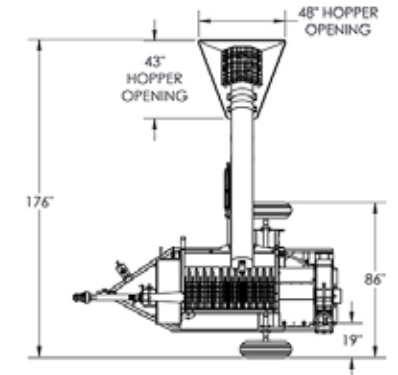
ATG 3620 SWING UNDER INTAKE & DISCHARGE AUGER



ATG3620 STANDARD INTAKE & BLOWER DISCHARGE



ATG 3620 SWING UNDER INTAKE & DISCHARGE AUGER



ATG3620 STANDARD INTAKE & BLOWER DISCHARGE



Large Capacity PTO Trailer Mills

ATG6020A Auger Discharge

Roll Configuration	Dry Corn	High Moisture Corn	Soybeans	Milo	Small Grains
4	6300 bsh/hr	5900 bsh/hr			
6.5	4050 bsh/hr	3600 bsh/hr	3420 bsh/hr	3525 bsh/hr	1760 bsh/hr
8	3510 bsh/hr	3120 bsh/hr	2760 bsh/hr	3165 bsh/hr	2370 bsh/hr
10	2970 bsh/hr	2640 bsh/hr	2340 bsh/hr	2820 bsh/hr	2115 bsh/hr

Features

- Maximum capacity, versatility, and transportability
- Heavy-duty PTO with shear bolt
- High carbon steel rolls
- Fatigue proof shafts
- One roll turns faster to prevent plugging and increase capacity

Specifications

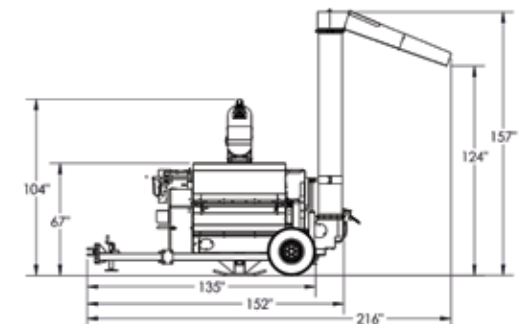
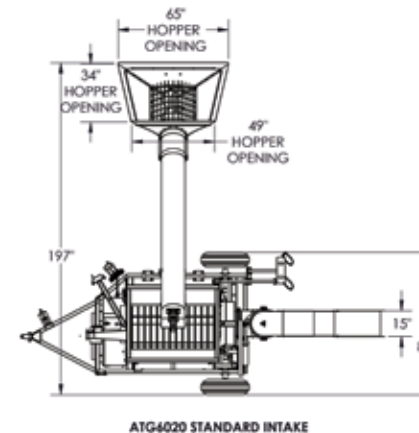
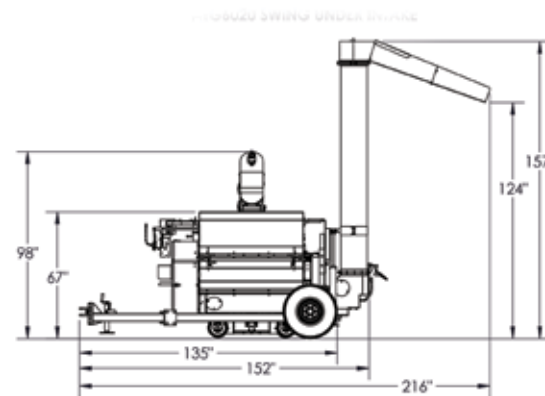
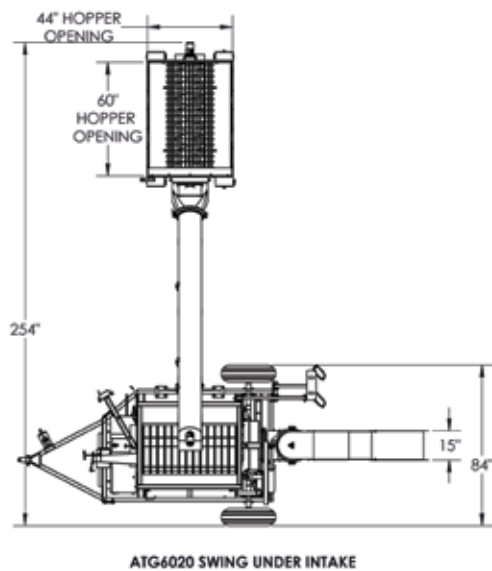
Roll Size: 14"x 54"

Weight: 5500 lbs With Swing Auger: 5995 lbs

Horsepower: 180

PTO RPM: 1000

Dimensions





Large Capacity PTO Trailer Mills

ATG6020A Swing Under Intake with 18" Conveyor Discharge

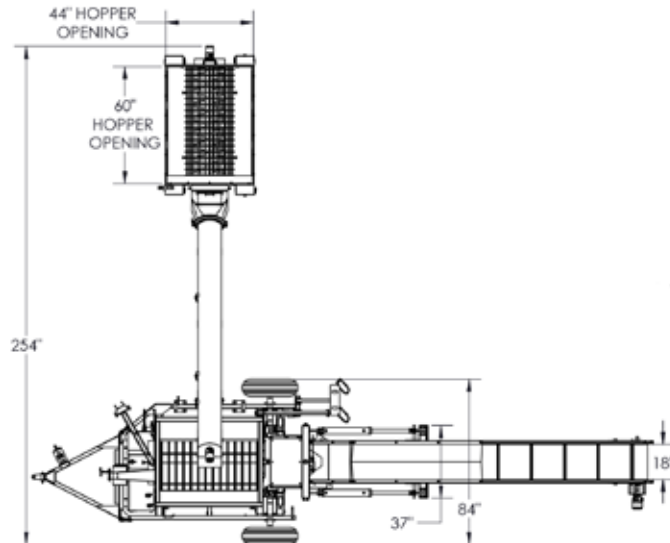
Roll Configuration	Dry Corn	High Moisture Corn	Soybeans	Milo	Small Grains
4	6300 bsh/hr	5900 bsh/hr			
6.5	4050 bsh/hr	3600 bsh/hr	3420 bsh/hr	3525 bsh/hr	1760 bsh/hr
8	3510 bsh/hr	3120 bsh/hr	2760 bsh/hr	3165 bsh/hr	2370 bsh/hr
10	2970 bsh/hr	2640 bsh/hr	2340 bsh/hr	2820 bsh/hr	2115 bsh/hr

Features

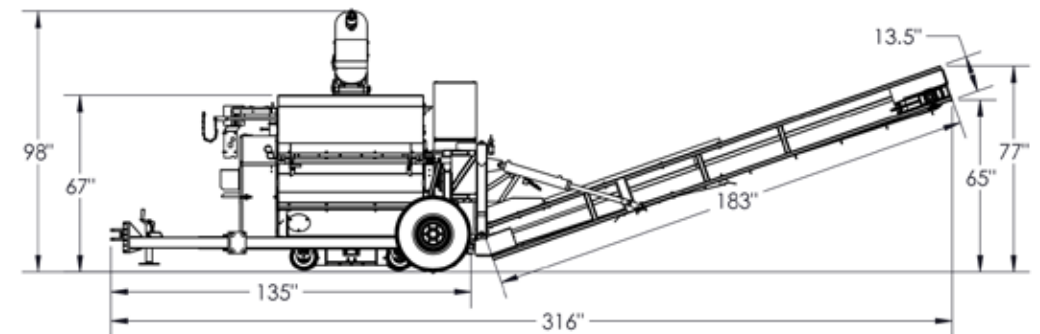
- Maximum capacity, versatility, and transportability
- Heavy-duty PTO with shear bolt
- High carbon steel rolls
- Fatigue proof shafts
- One roll turns faster to prevent plugging and increase capacity

Specifications

Roll Size: 14"x 54"
Horsepower: 180
PTO RPM: 1000



Dimensions



AE Rotary Mills



ARM1665



ARM1665T
with Cyclone Discharge

Features

- PTO or Electric
- Use less feed
- Increased milk production
- High RPM cylinder set in a drum with shear bars to chop corn
- No screens - no plugging
- Control plate controls the rate of corn entering the mill
- Milled corn is blown out of the bottom of the mill to auger into a cart or mixer

The Rotary Mill Will Grind:

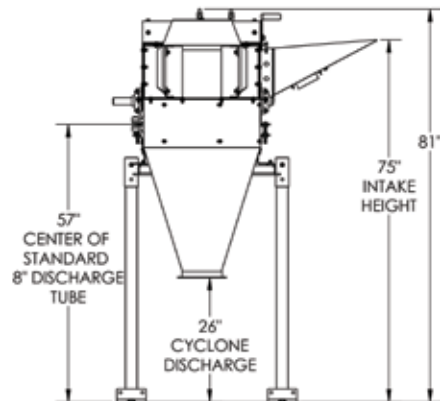
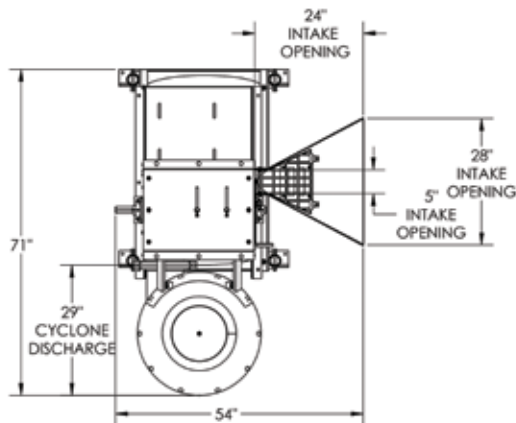
- Dry ear corn
- Dry shell corn
- High-moisture shell corn
- Milo
- Wheat
- Soybeans

Trailer Models Available, Cyclone Discharge Available

ARM1665

Cyclone Discharge

Dimensions



ARM1665T

