

# Automatic

## Grain Mills

### ATG3620A ATG3620B

#### Features

- Heavy-duty PTO with shear bolt
- High carbon steel rolls
- Fatigue proof shafts
- Maximum capacity, versatility, and transportability
- One roll turns faster to prevent plugging and increase capacity



Roll Configuration	Dry Corn	High Moisture Corn	Soybeans	Milo	Small Grains
4	3600 bsh/hr	3200 bsh/hr			
6.5	2700 bsh/hr	2400 bsh/hr	2160 bsh/hr	2350 bsh/hr	1760 bsh/hr
8	2340 bsh/hr	2080 bsh/hr	1840 bsh/hr	2110 bsh/hr	1580 bsh/hr
10	1980 bsh/hr	1760 bsh/hr	390 bsh/hr	1880 bsh/hr	1410 bsh/hr

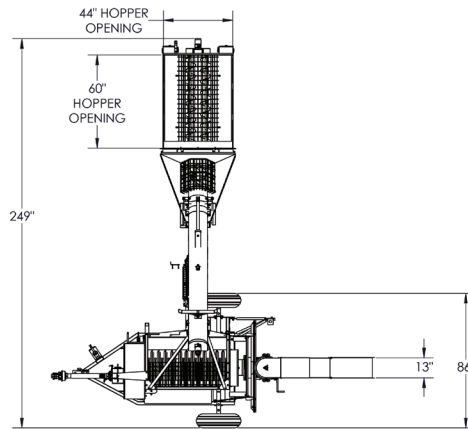
#### Specifications

Roll Size: 12"x 48"

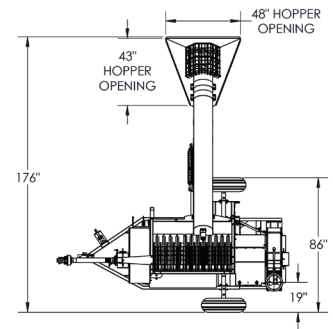
Weight: 3500/2900 lbs

Horsepower: 110/130

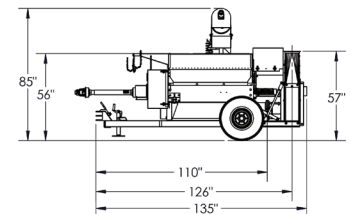
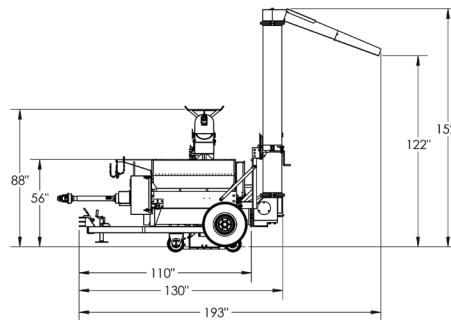
PTO RPM: 1000



ATG 3620 SWING UNDER INTAKE & DISCHARGE AUGER



ATG3620 STANDARD INTAKE & BLOWER DISCHARGE



Email: [info@automaticag.com](mailto:info@automaticag.com)  
800-336-4336 • [automaticag.com](http://automaticag.com)