

Automatic

Grain Mills

ATG1820A ATG1820B

Features

- Heavy-duty PTO with shear bolt
- High carbon steel rolls
- Fatigue proof shafts
- Maximum capacity, versatility, and transportability
- One roll turns faster to prevent plugging and increase capacity



Roll Configuration	Dry Corn	High Moisture Corn	Soybeans	Milo	Small Grains
4	1800 bsh/hr	1600 bsh/hr			
6.5	1350 bsh/hr	1200 bsh/hr	1080 bsh/hr	1200 bsh/hr	900 bsh/hr
8	1040 bsh/hr	1040 bsh/hr	930 bsh/hr	1080 bsh/hr	810 bsh/hr
10	880 bsh/hr	880 bsh/hr	780 bsh/hr	970 bsh/hr	720 bsh/hr

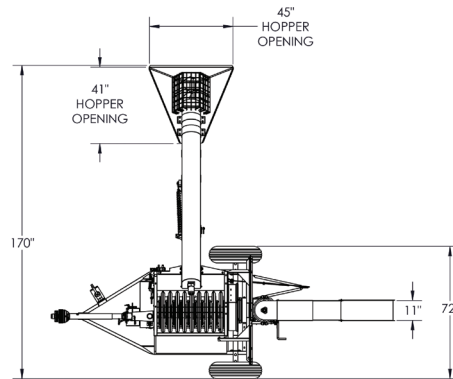
Specifications

Roll Size: 9"x 34"

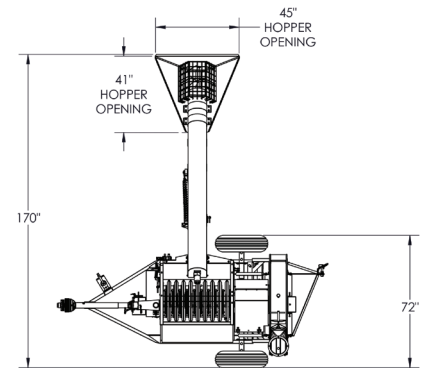
Weight: 2500/2450 lbs

Horsepower: 70/90

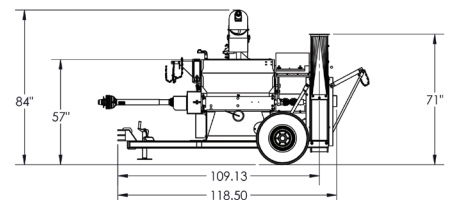
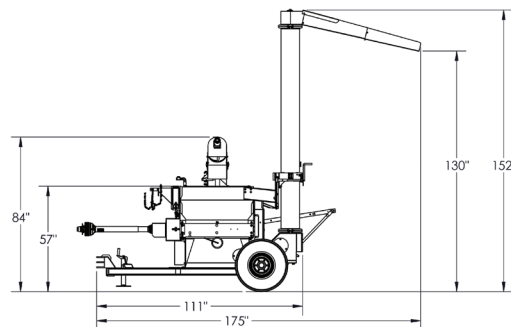
PTO RPM: 540



ATG1820 STANDARD INTAKE & DISCHARGE AUGER



ATG1820 STANDARD INTAKE & BLOWER DISCHARGE



Email: info@automaticag.com
800-336-4336 • automaticag.com