



PARTS CATALOG

99944200552

ProSweep Attachment

PAS Attachment

Fits Models

PAS-225	Pro Attachment Series
PAS-230	Pro Attachment Series
PAS-231	Pro Attachment Series
PAS-2400	Pro Attachment Series
PAS-260	Pro Attachment Series
PAS-2601	Pro Attachment Series
PAS-261	Pro Attachment Series
SRM-225SB	Split-Shaft Trimmer
SRM-2400SB	Split-Shaft Trimmer
SRM-260SB	Split-Shaft Trimmer
SRM-261SB	Split-Shaft Trimmer

ECHO, INCORPORATED

400 Oakwood Road Lake Zurich, Illinois 60047 USA

WWW.ECHO-USA.COM



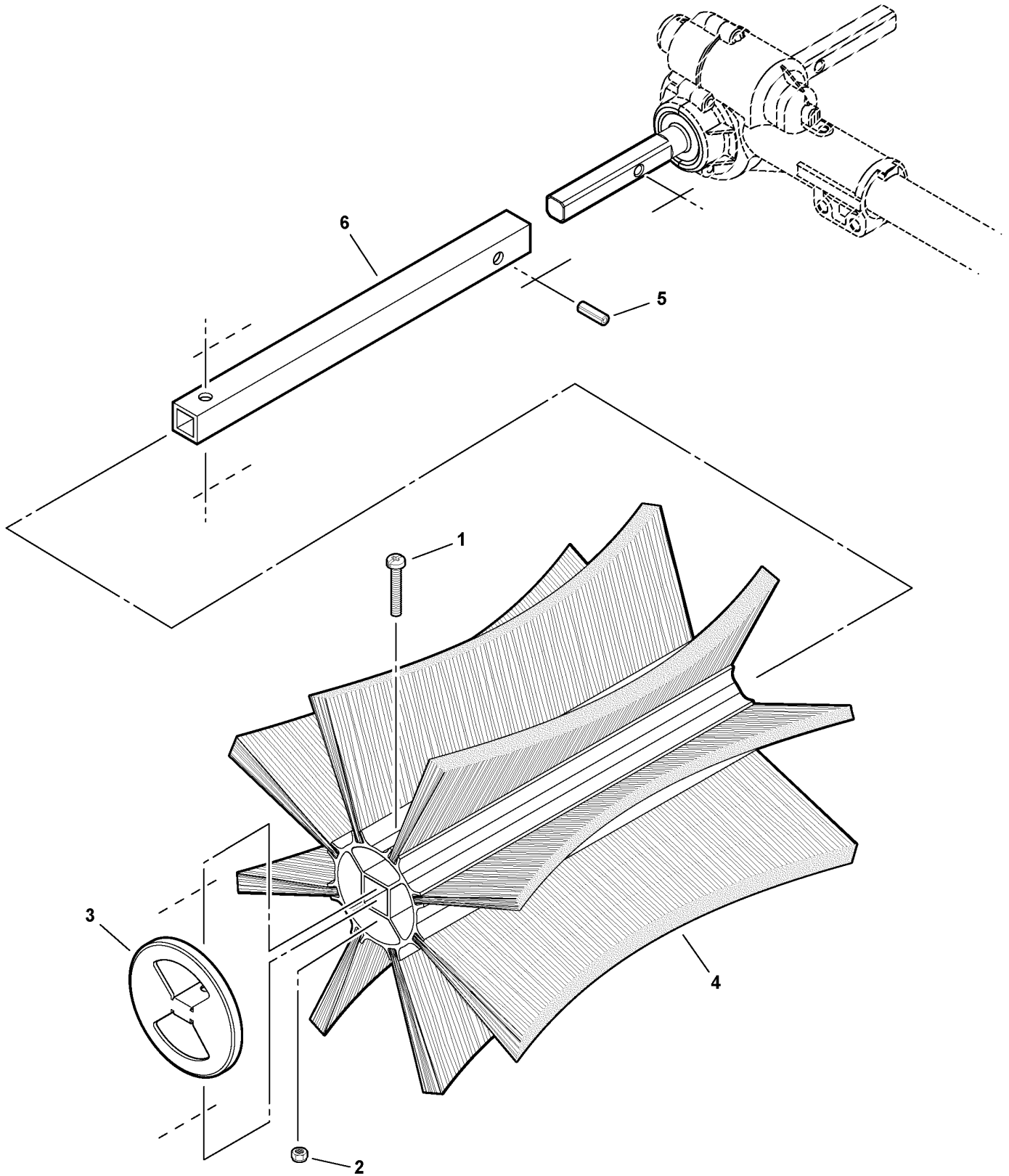
Table of Contents

Click Any Diagram Description Below To View That Diagram.

99944200552 ProSweep Attachment

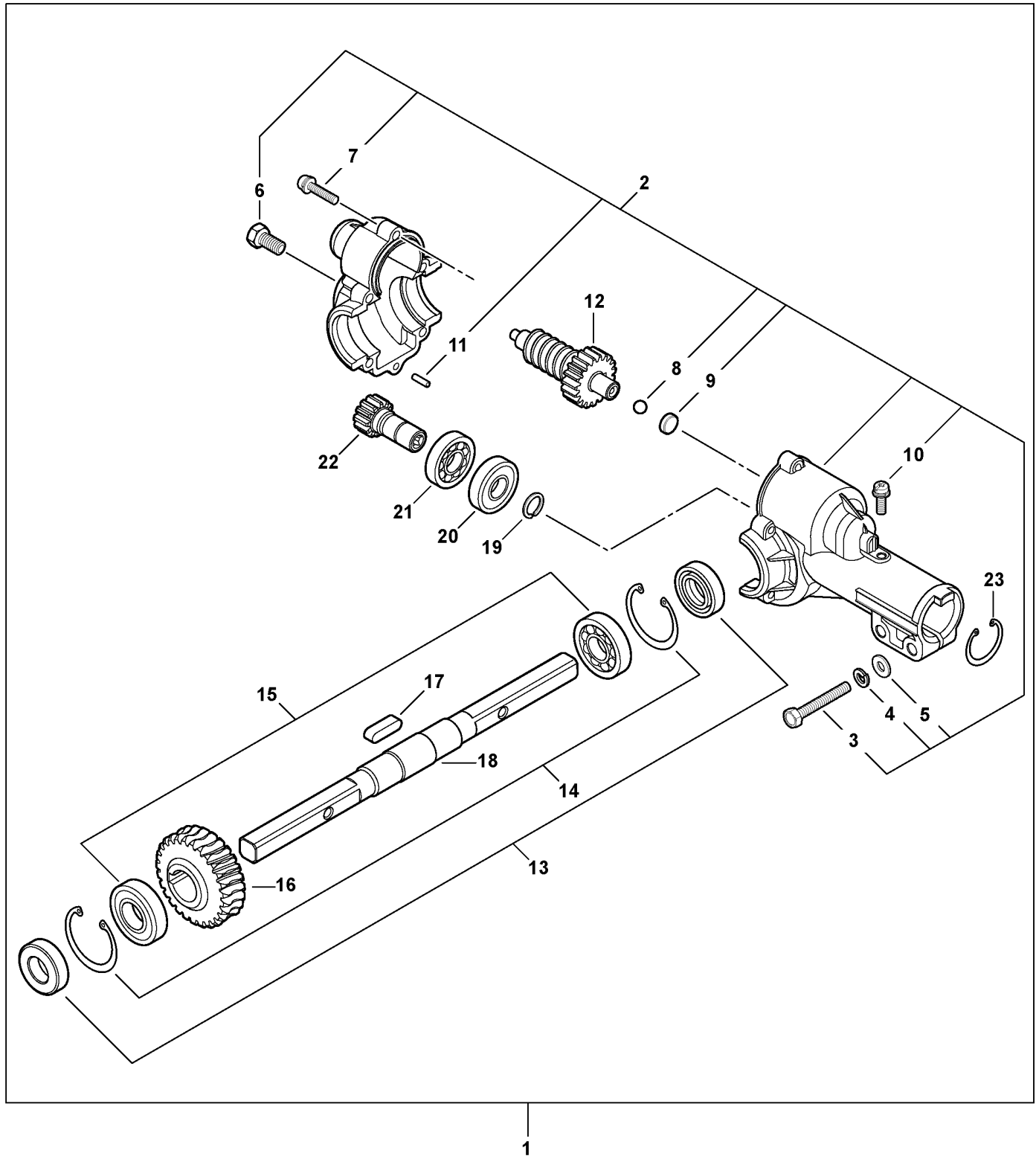
Brush Assembly.....	4
Gear Case.....	6
Main Pipe Assembly.....	8
Part Number Index.....	10
Part Description Index.....	11

This Page Intentionally Left Blank



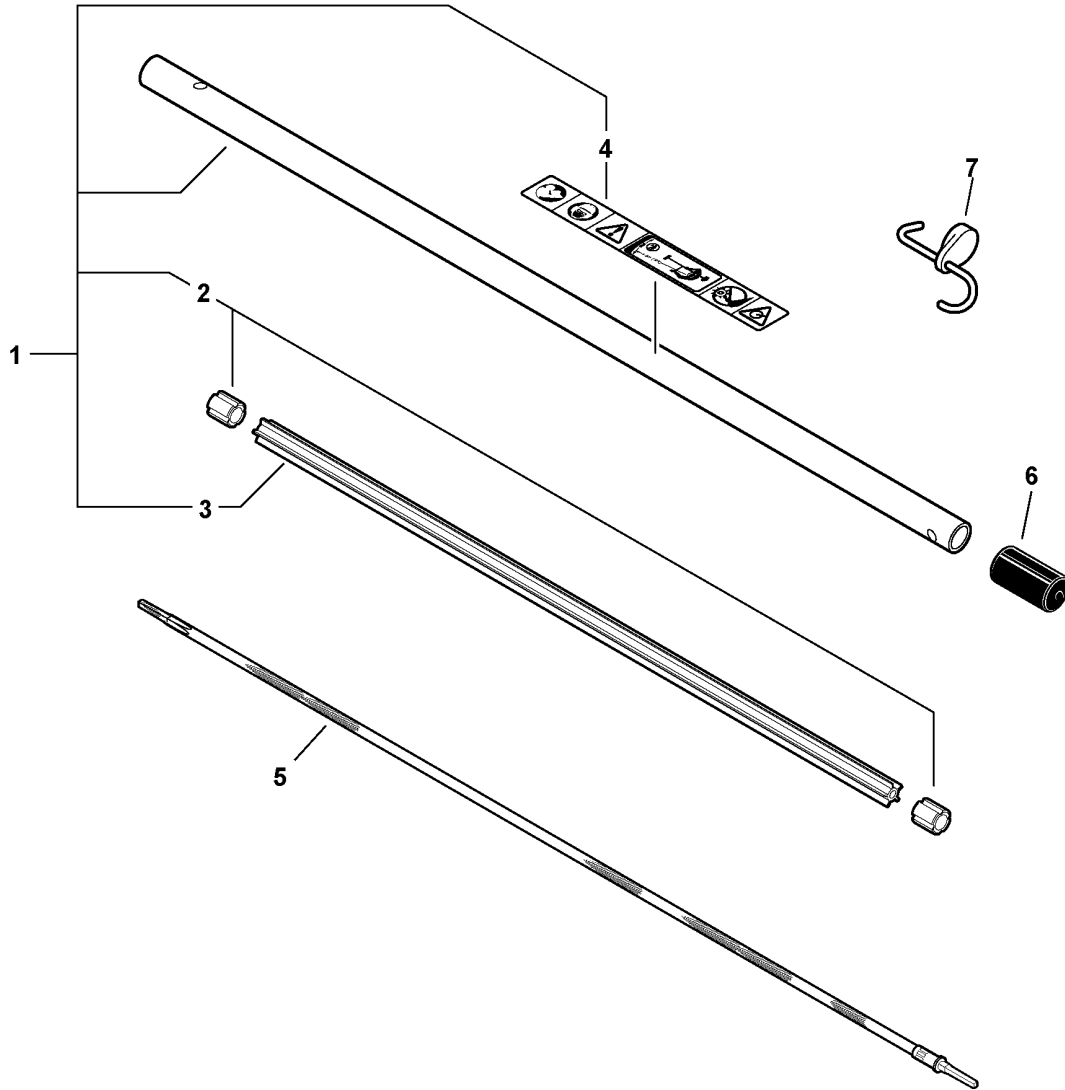
091 0002 018

ITEM	PART NUMBER	QTY	DESCRIPTION	REMARKS
1	90022005030	2	SCREW 5X30	
2	90056000005	2	LOCKNUT 5	
3	25023025561	2	CAP, END	
4	99944200551	1	BRUSH ASY - .018 INCH	INCLUDES 2 BRUSH ASSEMBLIES
5	40452325560	2	SPRING PIN	
6	C517000070	2	COUPLING, SHAFT	



090 0002 000

ITEM	PART NUMBER	QTY	DESCRIPTION	REMARKS
1	60140024960	1	GEAR CASE ASY	INCLUDES ITEMS 2-23
2	60540112050	1	GEAR HOUSING ASY	INCLUDES ITEMS 3-11
3	90010006025	2	BOLT 6X25	
4	90060500006	2	LOCKWASHER	
5	90060000006	2	WASHER 6	
6	90010008008	1	BOLT 8X8	
7	90024204025	5	SCREW 4X25	
8	90073101004	1	BALL, STEEL	
9	60532411050	1	WASHER 3	
10	90024205014	1	SCREW 5X14	
11	60543011050	2	DOWEL PIN	
12	60531311050	1	GEAR, WORM	
13	60541611050	2	OILSEAL	
14	90070200030	2	CIRCLIP 30	
15	90085506903	2	BEARING, BALL 6903	
16	60531511050	1	WHEEL, WORM	
17	90032504015	1	KEY	
18	60531425560	1	SHAFT, WORM WHEEL	
19	90070600009	1	CIRCLIP 9	
20	90080300609	1	BEARING, BALL 609Z	
21	90080000609	1	BEARING, BALL 609	
22	60531011050	1	GEAR, DRIVE	
23	90070200025	1	CIRCLIP 25	



031 0037 000

ITEM	PART NUMBER	QTY	DESCRIPTION	REMARKS
1	61020625660	1	MAIN PIPE ASY	INCLUDES ITEMS 2-3
2	61024644730	2	STOPPER	
3	61021752630	1	LINER	
4	89016025560	1	LABEL, CAUTION	
5	C506000000	1	DRIVESHAFT - FLEXIBLE	
6	35122301130	1	CAP, PROTECTIVE	
7	99944200630	1	PAS ATTACHMENT HANGER	INCLUDES 4 PER PACKAGE



Part Number Index

Click The Page Number After Any Part Number To View The Diagram Containing That Part.

<u>Part Number</u>	<u>Page</u>
25023025561	5
35122301130	9
40452325560	5
60140024960	7
60531011050	7
60531311050	7
60531425560	7
60531511050	7
60532411050	7
60540112050	7
60541611050	7
60543011050	7
61020625660	9
61021752630	9
61024644730	9
89016025560	9
90010006025	7
90010008008	7
90022005030	5
90024204025	7
90024205014	7
90032504015	7
90056000005	5
90060000006	7
90060500006	7
90070200025	7
90070200030	7
90070600009	7
90073101004	7
90080000609	7
90080300609	7
90085506903	7
99944200551	5
99944200630	9
C506000000	9
C517000070	5



Part Description Index

Click The Page Number After Any Part Description To View The Diagram Containing That Part.

B

BALL, STEEL.....7
BEARING, BALL 609.....7
BEARING, BALL 609Z.....7
BEARING, BALL 6903.....7
BOLT 6X25.....7
BOLT 8X8.....7
BRUSH ASY - .018 INCH.....5

C

CAP, END.....5
CAP, PROTECTIVE.....9
CIRCLIP 25.....7
CIRCLIP 30.....7
CIRCLIP 9.....7
COUPLING, SHAFT.....5

D

DOWEL PIN.....7
DRIVESHAFT - FLEXIBLE.....9

G

GEAR CASE ASY.....7
GEAR HOUSING ASY.....7
GEAR, DRIVE.....7
GEAR, WORM.....7

K

KEY.....7

L

LABEL, CAUTION.....9
LINER.....9
LOCKNUT 5.....5
LOCKWASHER.....7

M

MAIN PIPE ASY.....9

O

OILSEAL.....7

P

PAS ATTACHMENT HANGER.....9

S

SCREW 4X25.....7
SCREW 5X14.....7
SCREW 5X30.....5
SHAFT, WORM WHEEL.....7
SPRING PIN.....5
STOPPER.....9

W

WASHER 3.....7
WASHER 6.....7
WHEEL, WORM.....7



ECHO, INCORPORATED
400 Oakwood Road
Lake Zurich, IL 60047 USA

WWW.ECHO-USA.COM
