



Accessories for ECHO products can be found at:

Los accesorios para los productos ECHO se pueden encontrar en:

www.echo-usa.com/products/catalogs

OPTIONAL ACCESSORIES & ATTACHMENTS:

155 DIA, CROSS-FIRE® (50 COUNT / 21" STRIPS)	102225155
175 DIA, CROSS-FIRE® (50 COUNT / 21" STRIPS)	102225175
155 DIA, CROSS-FIRE® (3 LB. SPOOL)	314155056
175 DIA, CROSS-FIRE® (3 LB. SPOOL)	314175057
155 DIA, CROSS-FIRE® (1 LB. DONUT)	311155066
175 DIA, CROSS-FIRE® (1 LB. DONUT)	311175067
KIT, PRO-LINE HEAD	99944400000
KIT, NO SPARK MOW BALL	99944400001
KIT, SPARK ARRESTER BRIGGS	YH460000220

PARTS CATALOG

**WT-1610T
Wheel Trimmer**



163 cc

SERIAL NUMBER
NÚMERO DE SERIE

110WTB000001 - 110WTB999999

ECHO Incorporated

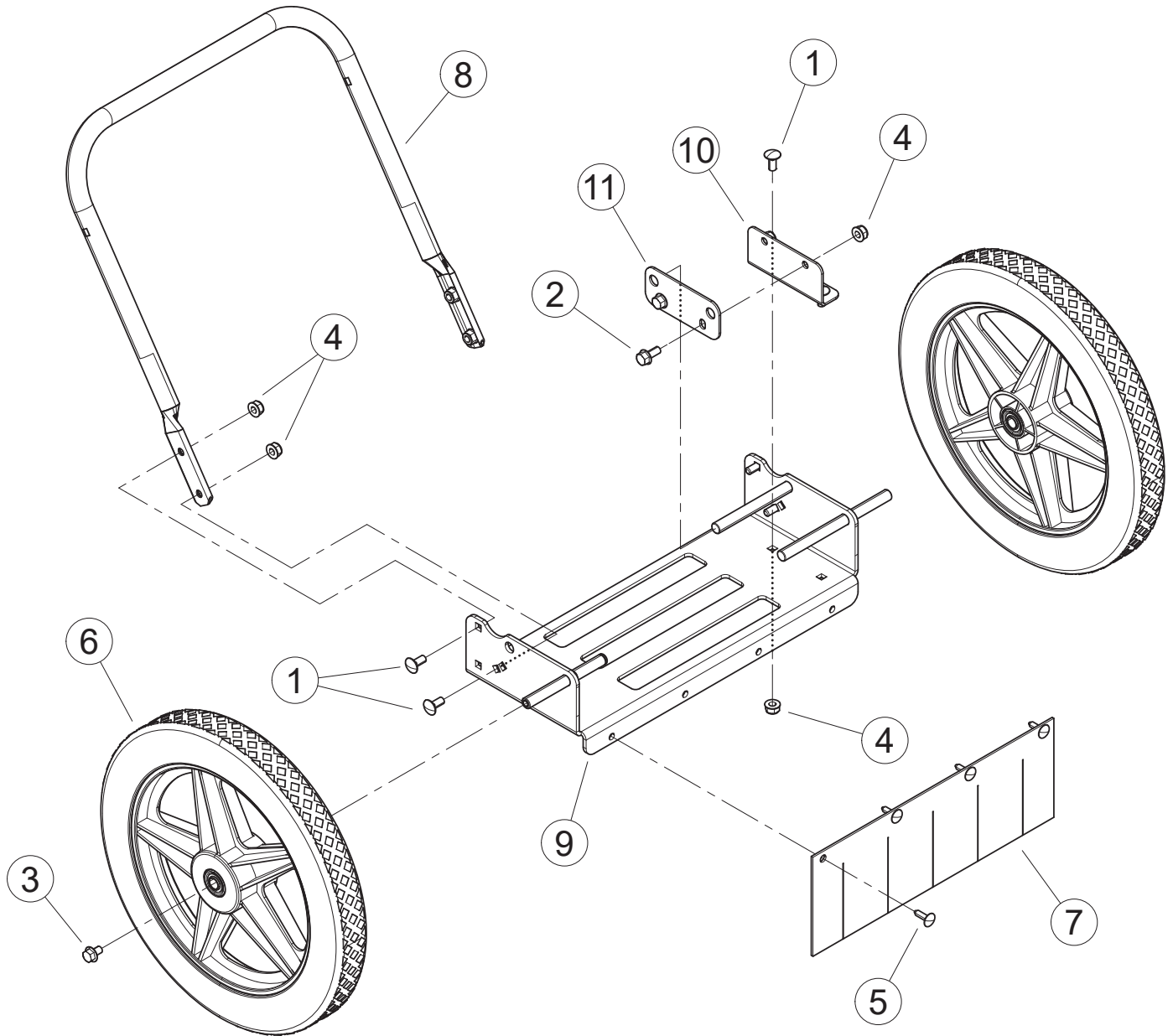
400 Oakwood Road, Lake Zurich, Illinois 60047

WWW.ECHO-USA.COM

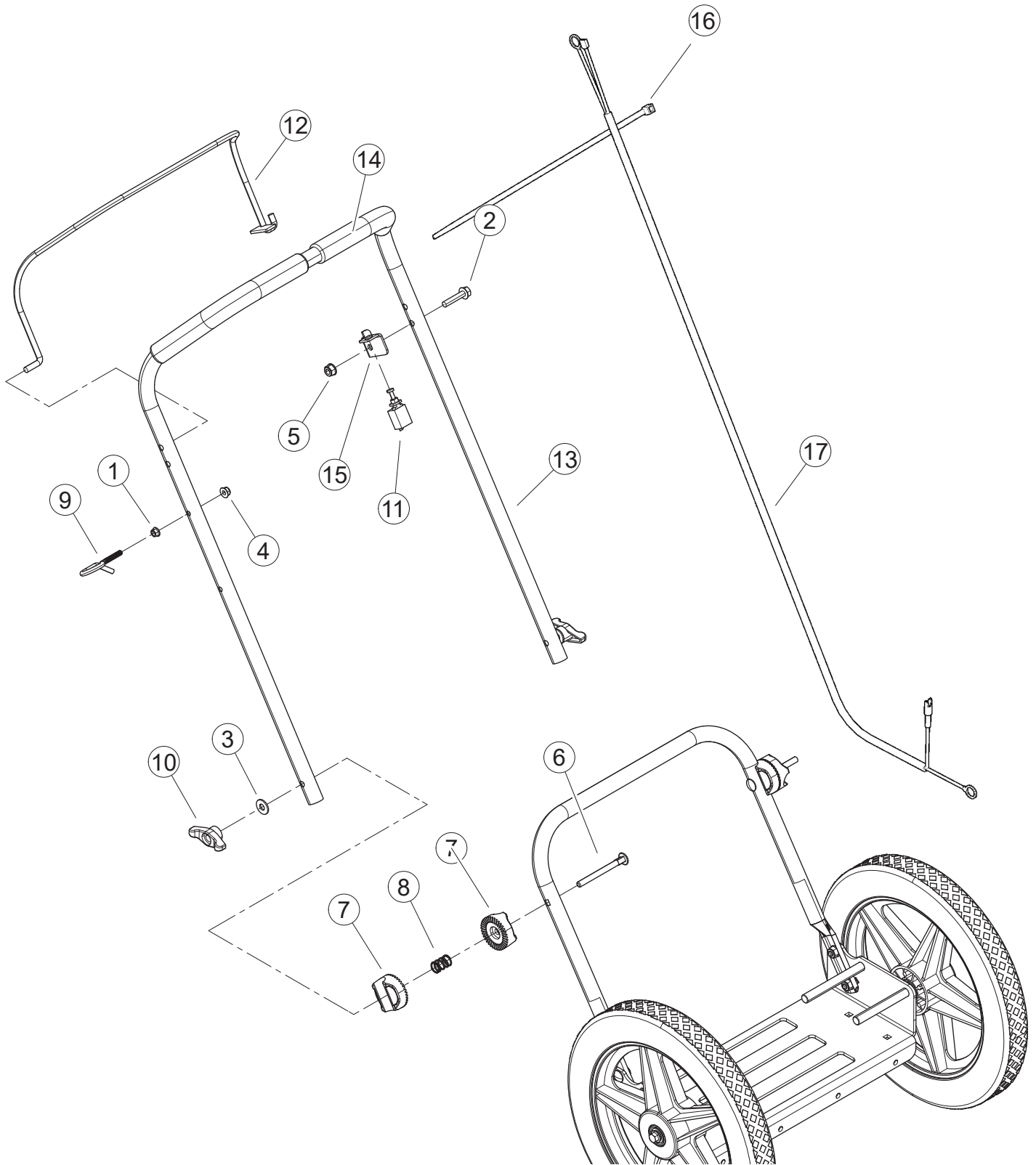
©2021 ECHO Incorporated. All Rights Reserved

P/N 99922205579
REVISED 05/06/2021

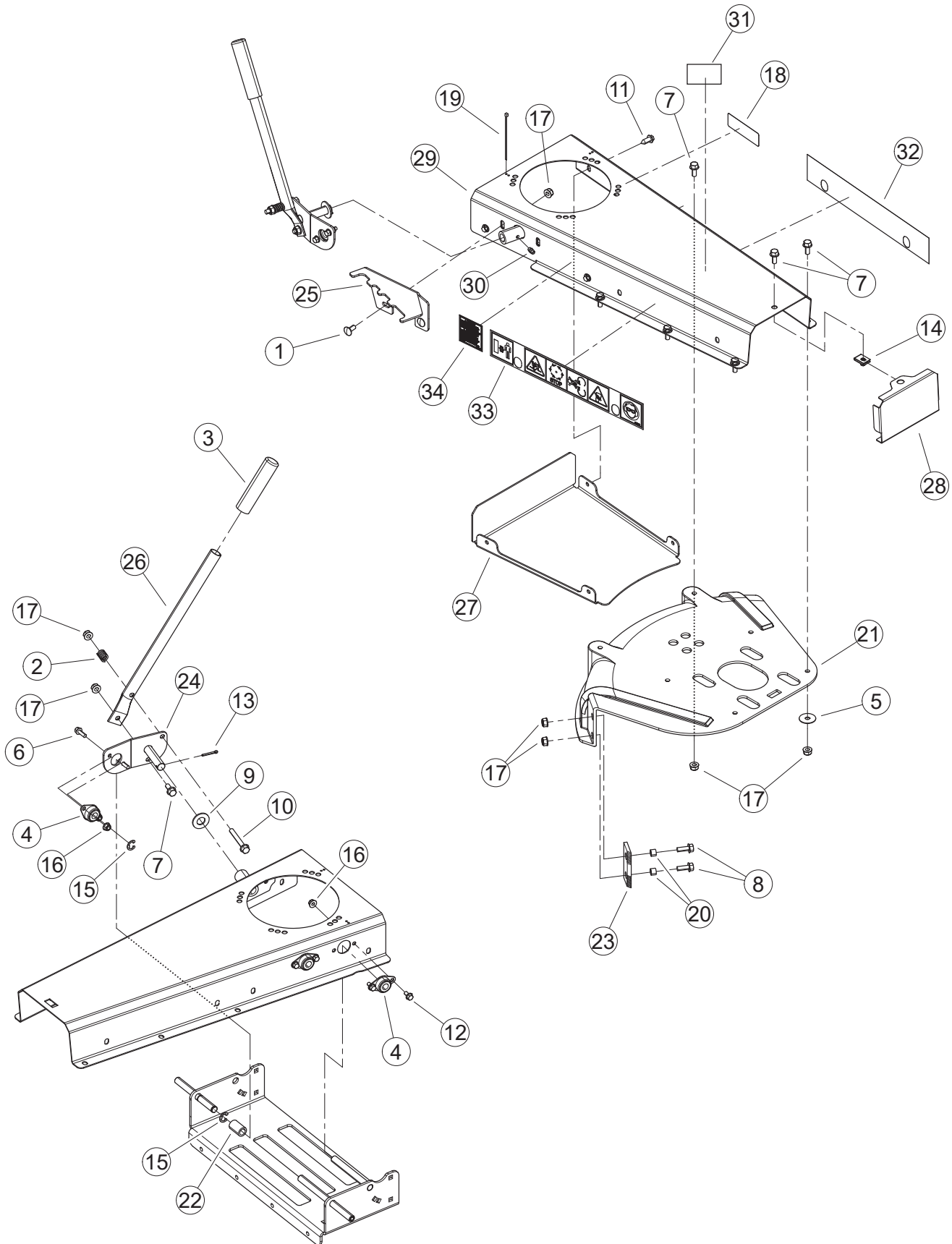
Axle	2
Axle	3
Handle Bar	4
Handle Bar	5
Body	6
Body	7
Drive	8
Drive	9



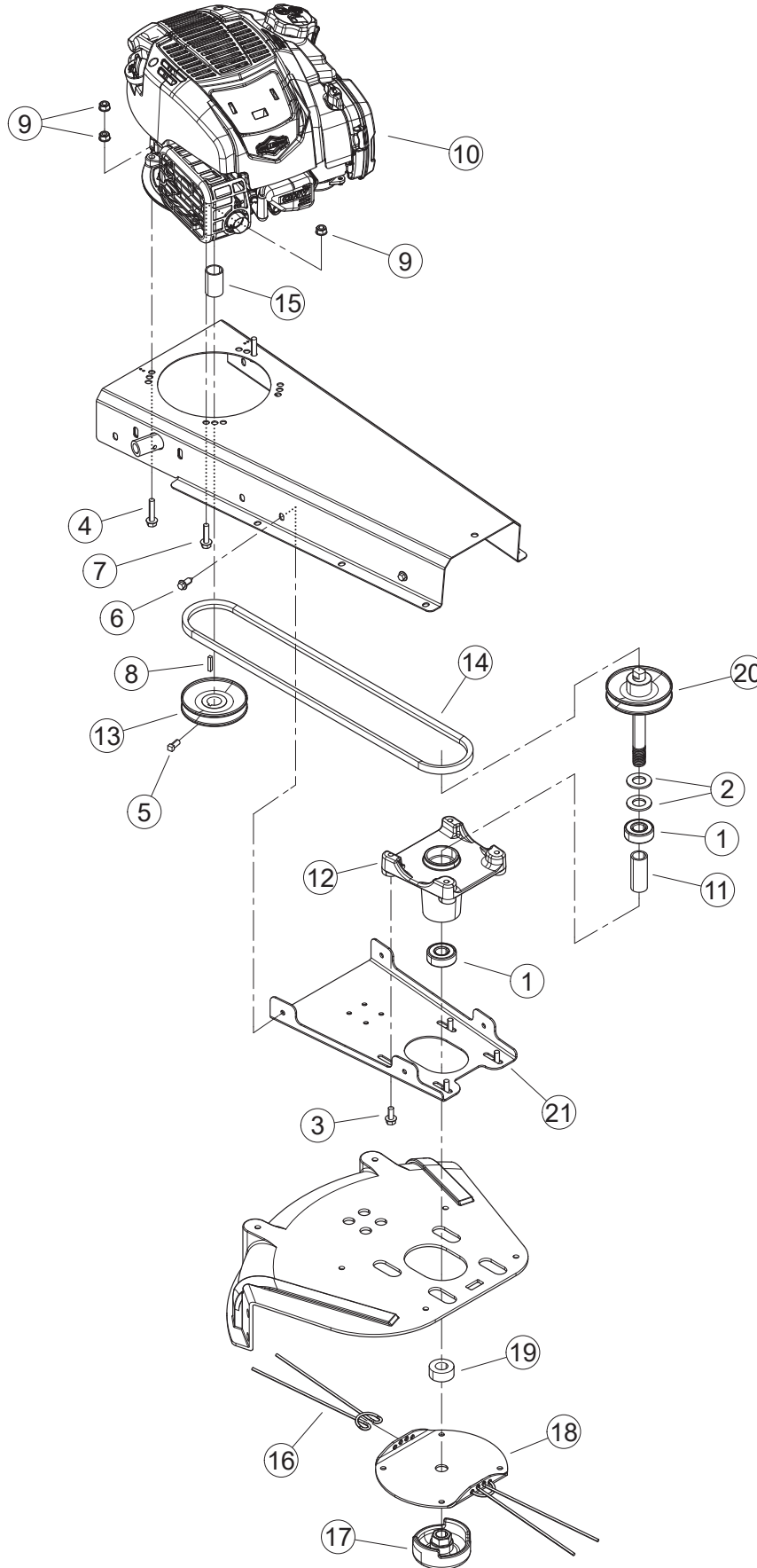
ITEM	PART NUMBER	QTY	DESCRIPTION
1	YH434000110	6	BOLT, 5/16-18 × 3/4 SN GR5 CRG
2	YH436000010	2	BOLT, 5/16 × 3/4 FLANGE NC
3	YH434000130	2	BOLT, 5/16-18 × 1/2 G5 HH SERRATED FLANGE
4	YH449000040	8	NUT, 5/16-18 NYLOCK FLANGE
5	YH448000000	4	RIVET, PLASTIC .28 × 1"
6	YH478000070	2	WHEEL, TRIMMER 15 × 1.75
7	YH479000850	1	FLAP, TRIMMER
8	YH466000160	1	HANDLE BAR, LOWER TRIMMER PAINTED
9	YH479001670	1	WELDMENT, AXLE WT
10	YH466000430	1	BRACKET, AXLE SUPPORT WT
11	YH479001690	1	PLATE, AXLE SUPPORT WT



ITEM	PART NUMBER	QTY	DESCRIPTION
1	YH449000010	1	NUT, 1/4"-20 SERRATED FLANGE NC ZP
2	YH436000060	1	BOLT, 5/16 × 1-1/2 FLANGE NC
3	YH451000440	2	WASHER, 5/16 FLAT
4	YH449000030	1	NUT, 1/4-20 NYLOCK-FLANGE
5	YH449000040	1	NUT, 5/16-18 NYLOCK-FLANGE
6	YH434000160	1	BOLT, 5/16-18 × 3-1/2 LONG NECK GR5 CRG ZP
7	YH452000680	4	RETAINER, HANDLEBAR ADJUSTMENT
8	YH476000180	2	SPRING, RETAINER COMPRESSION
9	YH470000610	1	GUIDE, RECOIL ROPE
10	YH452000690	2	KNOB, 5/16-18 FEEM TEE
11	YH321000190	1	SWITCH, ENGINE KILL
12	YH470000730	1	ASSEMBLY, BAIL WT TRIMMERS
13	YH466000210	1	ASSEMBLY, UPPER HANDLE BAR WITH GRIPS (includes Item 14)
14	YH466000150	2	+PAD, FOAM HANDLE BAR
15	YH479001960	1	BRACKET, WT KILL SWITCH
16	-	-	STRAP, 11 IN BLACK TIE
17	YH601000170	1	HARNESS, BRIGGS WT KILL SWITCH



ITEM	PART NUMBER	QTY	DESCRIPTION
1	YH434000110	2	BOLT, 5/16-18 × 3/4 SN GR5 CRG
2	YH476000160	1	SPRING, HEAVY DUTY COMPRESSION
3	YH466000000	1	GRIP, TILT CONTROL
4	YH453000110	3	BEARING, 1/2 FLANGE
5	YH451000070	6	WASHER, 5/16" FENDER ZP
6	YH436000000	1	BOLT, 1/4-20 × 3/4 FLANGE GR5 CZP
7	YH436000010	8	BOLT, 5/16 × 3/4 FLANGE NC
8	YH436000030	2	BOLT, 5/16 × 7/8 FLANGE NC
9	YH451000400	1	WASHER, 5/8 SAE FLAT
10	YH436000090	1	BOLT, 5/16 × 2-1/2 FLANGE NC
11	YH428000000	4	SCREW, 11/32-12 × 7/8 FLANGE T-AB
12	YH434000040	4	BOLT, 1/4-20 × 1/2 SERRATED FLANGE GR5
13	YH471000090	1	PIN, 1/8 × 1.00 ZP COTTER
14	YH449000020	1	NUT, 5/16"-18 TINNERMAN U-TYPE
15	YH452000670	1	CLIP, 1/2" E
16	YH449000030	4	NUT, 1/4-20 NYLOCK FLANGE
17	YH449000040	12	NUT, 5/16-18 NYLOCK FLANGE
18	-	1	DECAL, SERIAL NUMBER
19	-	4	STRAP, 4 IN BLACK
20	YH475000210	2	SPACER, PLASTIC TRIMMER SHIELD
21	YH479000870	1	SHIELD, TRIMMER
22	YH475000100	1	SPACER, .75 × 1.18
23	YH457000010	1	KNIFE, RECTANGULAR SHREDDING
24	YH466000340	1	WELDMENT, AXLE PIVOT
25	YH466000380	1	BRACKET, TILT HANDLE
26	YH466000390	1	HANDLE, HEIGHT ADJUST
27	YH479001680	1	PLATE, BODY BOTTOM WT
28	YH479001920	1	COVER, METAL WT TRIMMERS
29	YH479001940	1	ASSEMBLY, BODY WITH DECALS (includes Items 30-34)
30	YH456000060	1	+ZERK, STRAIGHT 1/4-28 UNF MALE SELF-TAP .58 OVERALL LG
31	YH653000350	1	+DECAL, ECHO WT-1610T
32	YH653000230	1	+DECAL, SAFETY INFORMATION
33	YH653000240	1	+DECAL, MAINTENANCE INFORMATION
34	YH653000230	1	+DECAL, SPARK ARRESTOR



ITEM	PART NUMBER	QTY	DESCRIPTION
1	YH453000080	2	BEARING, 3/4 BALL
2	YH451000390	2	WASHER, 3/4" SAE FLAT ZP
3	YH436000010	4	BOLT, 5/16 × 3/4 FLANGE NC
4	YH436000060	1	BOLT, 5/16 × 1-1/2 FLANGE NC
5	YH426000000	1	SCREW, 5/16-18 × 5/8 SQ HD SET
6	YH428000000	4	SCREW, 11/32-12 × 7/8 FLANGE T-AB
7	YH436000120	2	BOLT, 5/16 × 1-1/4 FLANGE NC
8	YH469000040	1	KEY, 3/16" × 1.00" LG SQUARE
9	YH449000040	3	NUT, 5/16-18 NYLOCK FLANGE
10	-	1	ENGINE, BRIGGS 163cc VERTICAL
11	YH475000200	1	SPACER, TRIMMER SPINDLE
12	YH479000860	1	CASTING, TRIMMER SPINDLE HUB
13	YH472000090	1	PULLEY, B 4.0 x .875
14	YH454000020	1	BELT, AX48
15	YH475000220	1	SPACER, 1 1/16 OD X 14 GA X 1.63
16	-	2	STRING, 20" × .155 DIA. Cross-Fire®
17	YH457000060	1	MOWBALL, CAST TRIMMER PAINTED
18	YH457000070	1	DISK, TRIMMER HEAD
19	YH475000230	1	SPACER, TRIMMER HEAD
20	YH472000110	1	WELDMENT, SPINDLE
21	YH479001420	1	PLATE, SPINDLE CASTING MOUNT