

GATOR™ WORK SERIES

HPX & TRADITIONAL UTILITY VEHICLES



JOHN DEERE



RUN WITH US



Hard work is in their DNA

Our Gator™ Work Series loves work as much as you do. Because they're equipped with our Deluxe Cargo Box that shines under heavy stress and extreme conditions. These are the time-tested models that crave a full load, stop with dead-eye precision and deliver an intense bang for your hard-earned buck. Gas, diesel or electric, pick the Gator™ UV that's right for you. And let's get to work.



12-volt DC outlets The same kind you'll find on most Gator™ UV's are similar to the ones in boats and trucks. Keep your phone charging at all times.



Every brake system is precisely matched to the vehicle load capacity. Stop with confidence.



A standard gas assist shock underneath the bed makes lifting and dumping effortless. An optional power lift kit raises and lowers bed from a switch right on the dash.



Generous Cargo Box is built with tough, composite materials. Its 16.4 cu. ft (.56 cu. m.) can handle 1,000 lb. (450 kg) easy.



Pick-up style tailgate folds out to 90 degrees, and down a full 150 degrees. Protect your investment with a factory-installed spray-on bedliner. Optional brake/tail light kit helps you stand out on the worksite. Tie-down points let you secure cargo.

Put a Gator™ UV to Work For You

	MID-SIZE			FULL-SIZE			
	TE	TX	TX (CA)	TH Gas	TH Diesel	HPX615E (Gas)	HPX815E (Diesel)
HP	48-volt system	15.5 hp* (11.6 kW) (675cc)	13.5 hp* (10.1 kW) (401cc)	15.5 hp* (11.6 kW) (675cc)	18.5 hp* (14 kW) (854cc)	20 hp* (15.7 kW) (617cc)	18.2 hp* (13.7 kW) (854cc)
Drive	4x2	4x2	4x2	6x4	6x4	4x4	4x4
Payload**/ Cargo Capacity	900 lb. (363 kg) / 500 lb. (272 kg)	1,000 lb. (454 kg) / 600 lb. (273 kg)	1,000 lb. (454 kg) / 600 lb. (273 kg)	1,400 lb. (635 kg) / 1,000 lb. (454 kg)	1,600 lb. (726 kg) / 1,200 lb. (544 kg)	1,400 lb. (635 kg) / 1,000 lb. (454 kg)	1,400 lb. (635 kg) / 1,000 lb. (454 kg)

*The engine horsepower and torque information are provided by the engine manufacturer to be used for comparison purposes only. Actual operating horsepower and torque will be less. Refer to the engine manufacturer's web site for additional information. **Includes 200-lb. operator and 200-lb. passenger and maximum box capacity.

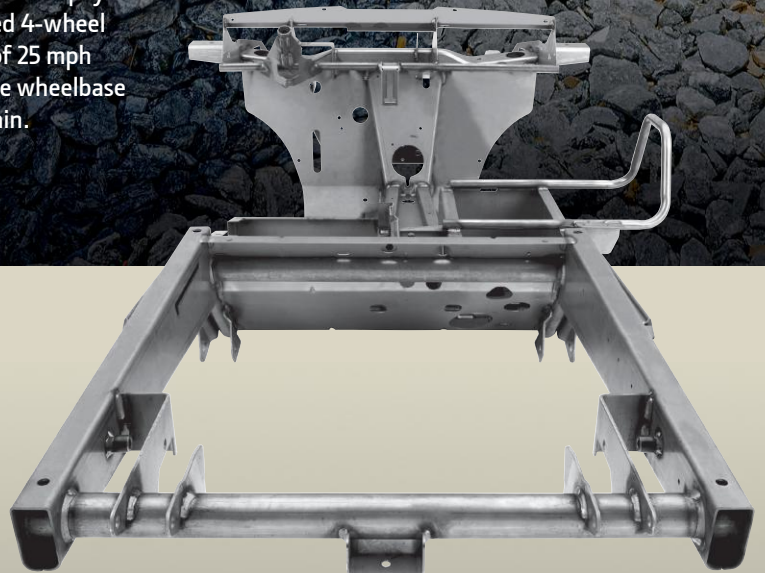


This workhorse is a thoroughbred.

The Gator™ HPX has been engineered to impress. With its exceptional payload and towing capacity, deluxe heavy-duty cargo box and enhanced 4-wheel suspension, it is the alpha of any work site. It hits a top speed of 25 mph (40 km/h), so you'll get jobs done fast. The HPX even has a wide wheelbase and low center of gravity for stability when tackling tricky terrain. Advantage, you.



4WD instant engagement provides traction with a flip of a switch. Auto-locking electronic differential button provides a more automotive feel for instant engagement at your fingertips.



The hydroformed frame on the HPX has incredible tolerance for twisting and heavy loads.



GATOR™ HPX615E (Gas) / HPX815E (Diesel) Specifications

ENGINE AND ELECTRICAL

Type	GAS 20 hp* (15.7 kW), Liquid-cooled, 2-cylinder, OHV, DIESEL 18.2 hp* (13.57 kW) Liquid-cooled, 3-cylinder, OHV,
Displacement	GAS 617 cc DIESEL 854 cc

TRANSMISSION

Type	Continuously variable transmission (CVT)
Four Wheel Drive	Dash switch actuated four-wheel drive system with limited slip front differential plus locking rear differential
Traction Assist	Positive locking, switch actuated rear differential lock
Gear Selection	Forward (hi-lo), Neutral, Reverse

SUSPENSION AND STEERING

Suspension, front	Independent with McPherson Strut
Front Susp. Travel (total)	5.15 in. (131 mm)
Suspension, rear	Coil over shock
Rear Susp. Travel (total)	3.5 in. (90 mm)

BRAKES

Park brake	Optional factory installed, hand operated
------------	---

TIRES

Front	24X10.5-10
Rear	24X12.0-10

FUEL SYSTEM

Capacity	7.3 U.S. gal./hr. (27.6 L)
----------	----------------------------

GROUND CLEARANCE

	6 in. (152 mm)
--	----------------

CARGO BOX

Material	Polypropylene side panels and tailgate, steel floor and load guard
Capacity	1000 lb. (454 kg)
Dimensions, in. (mm)	45L x 52W x 12 D (1143L x 1320W x 304D)
Volume	16.4 cu. ft. (.46 cu. m)
Dump	Manual (power lift option)
Tailgate	Hinged at bottom, removable
Weight, lb. (Incl fuel, fluids)	HPX615E 1566 lb. (710 kg) HPX815E 1606 lb. (728 kg)

DIMENSIONS

Height (overall with OPS)	73.5 in. (1867 mm)
Width	58.5 in. (1486.5 mm)
Length with bumper	119 in. (3022 mm)
Wheelbase	75.2 in. (1910 mm)

PAYLOAD/TOWING CAPACITY

	1400 lb. (635 kg)
--	-------------------

SEATING TYPE

	2, Professional high back, bucket (tilt forward)
--	--

OCCUPANT PROTECTIVE SYSTEM (OPS)

Seat belts	3-point seat belts
Certification	SAE J2194 & OSHA ROPS & FOPS standard

*The engine horsepower and torque information are provided by the engine manufacturer to be used for comparison purposes only. Actual operating horsepower and torque will be less. Refer to the engine manufacturer's web site for additional information.



Easy-to-read dash panel lets you quickly scan your speed, gear position, and now, fuel level.



Shift Control Lever with an integrated park position. There's no more releasing a separate park brake. It's our smoothest shifting Gator™ UV yet.



Keep your 4WD Gator UV working year round with a powerful front blade to help you clear the way during winter's worst. .



More everything (even wheels).

The very definition of heavy duty, with more power, more can-do and even more wheels. Gas or diesel, the Gator™ TH 6x4s are known for digging in and moving earth. They take stability to the extreme with an extra-long wheelbase and low center of gravity. The high-capacity (and highly versatile) Deluxe Cargo Box is a stand-out standard. Add to all that long-lasting wet disc brakes, independent front suspension, a versatile glove box and a 12-volt DC outlet and you've got your workday's MVP.



Six-wheel design Offers excellent traction, while remaining turf friendly. Includes standard traction assist.

Generous Cargo Box The 16.4 cu. ft. (.56 cu. m.) reinforced cargo box includes a gas-assist shock for easier lifting and dumping and a pick-up style tailgate, 20 integrated tie-down points, and removable composite side panels and tailgate for flatbed operation. (Also available: a factory-installed spray-on bedliner)





GATOR™ TH 6X4 GAS & DIESEL Specifications

ENGINE AND ELECTRICAL

Type	GAS 15.5 hp* (11.6 kW) air-cooled, overhead valves, 2-cylinder, 4-cycle DIESEL 18.2 hp (13.6 kW) Liquid-cooled, overhead-valves, 3-cylinder, 4-cycle
Displacement	GAS 675 cc (41.2 cu. in.) DIESEL 854 cc (52.1 cu. in.)

TRANSMISSION

Type	Continuously variable transmission (CVT)
Differential Lock	Standard, hand-operated
Transaxle	Fully enclosed, oil bath
Gear Selection	Forward, reverse, neutral

SUSPENSION AND STEERING

Front	Independent spring over shock, single A-arm
Total travel	5 in. (127 mm)
Rear	Two high-flotation, low pressure tires (solid axles)
Steering	Rack and pinion

BRAKES

Park brake	Wet disk, hand operated
------------	-------------------------

TIRES

Front	Two 22.5x10.00-8, 2 PR hi-flotation
Rear	Four 25x12.00-9, 2 PR hi-flotation

FUEL SYSTEM

Capacity	GAS 5 U.S. gal. (18.9 l) DIESEL 5.3 U.S. gal. (20 l)
----------	--

CARGO BOX

Material	Polypropylene side panels and tailgate, steel floor and load guard
Electric lift	Optional
Capacity	GAS 1000 lb. (454 kg) DIESEL 1200 lb. (544 kg)
Depth	12 in. (304.8 mm) / 45 in. (1143 mm)
Length	16.4 cu. ft. (0.46 cu. m)
Volume	52 in. (1320 mm) inside
Width	25 in. (635 mm)
Height above ground	Hinged at bottom, removable / side panels are removable
Tailgate	Hinged at bottom, removable

WEIGHT, LB. (Incl fuel, fluids)

	GAS 1087 lb. (493 kg) DIESEL 915 lb. (415 kg)
--	---

SEATING TYPE

	2, Professional High Back
--	---------------------------

Seat adjustment	Optional, driver's side
-----------------	-------------------------

DIMENSIONS

Height	43.6 in. (1108 mm)
Width	60 in. (1525 mm)
Length with/without bumper	108.4 in. (2754 mm) 105.9 in. (2689 mm)
Ground clearance,	
under foot platform	GAS 9.8 in. (250 mm) DIESEL 8.5 in. (216 mm)
under transaxle	GAS 6.0 in. (153 mm) DIESEL 6.5 in. (165 mm)
Wheelbase	79 in. (2006 mm) front to rear, 26.8 in. (680 mm) mid to rear

PAYLOAD/TOWING CAPACITY

	GAS 1400 lb. (635 kg) DIESEL 1600 lb. (726 kg)
--	--

*The engine horsepower and torque information are provided by the engine manufacturer to be used for comparison purposes only. Actual operating horsepower and torque will be less. Refer to the engine manufacturer's web site for additional information.





Monster power. Creature comforts.

Step up to the Gator™ TX. This top of the line two-wheel drive boasts intense horsepower and a Deluxe Cargo Box that's equal parts versatile and invaluable. While tuned four-wheel suspension and high-back seats mean comfort comes standard. And no matter if you're towing a full load or not, its hydraulic disc brakes deliver a quick stop and a standard rear receiver hitch makes towing a breeze.



Power under the hood delivers exceptional torque, great low-end lugging power and fast acceleration everywhere you go.



No matter what you haul, the Gator™ TX delivers a smooth ride, courtesy of its four-wheel suspension with coil over shock, triple-rate adjustable springs.



Easily remove the composite sides to convert the box to a flat-bed mode that's perfect for carrying large, awkward loads like plywood sheets, bales of hay and tables.



GATOR™ TX 4X2 / TX 4X2 CALIFORNIA Specifications

ENGINE AND ELECTRICAL

Type	15.5 hp* (11.6 kW), Air-cooled / 13.5hp* (10.1kW), Air-cooled, overhead-valve 2-cylinder, 4-cycle gas /overhead-valve 1-cylinder, 4-cycle gas
Displacement	675 cc (41.2 cu. in.) / 401 cc, (24.5 cu. in.)

TRANSMISSION

Type	Continuously variable transmission (CVT)
Differential Lock	Standard; hand-operated
Transaxle	Fully enclosed; oil bath
Gear Selection	Forward, neutral, reverse

SUSPENSION AND STEERING

Front	Independent spring over shock, single A-arm
Total travel	5 in. (127 mm)
Rear	Semi Independent Adjustable Coil over Shock
Total travel	3 in. (76.2 mm)
Steering	Rack and pinion

BRAKES

Park brake	Rear mechanical disc, hand operated
------------	-------------------------------------

TIRES

Front	Two 22x9.50-10, 4 PR,
Rear	Two 24x10.50-10 HPAP, 24x12-10 Turf/Hard Surface & HPAT

FUEL SYSTEM

Capacity	5 U.S. gal. (18.9 l)
----------	----------------------

CARGO BOX

Material	Polypropylene side panels and tailgate, steel floor and load guard
Electric lift	Optional
Capacity	600 lb. (272 kg)
Depth	12 in. (304.8 mm)
Length	45 in. (1143 mm)
Volume	16.4 cu. ft. (0.46 cu. m)
Width	52 in. (1320 mm) inside
Height above ground	30 in. (762 mm)
Tailgate	Hinged at bottom, removable; side panels are removable

WEIGHT, LB. (Incl fuel, fluids)

	1105 lb. (501 kg)
--	-------------------

SEATING TYPE

	2, Professional High Back, tilt forward
--	---

DIMENSIONS

Height	43.6 in. (1108 mm)
Width	60 in. (1525 mm)
Length with/without bumper	112.1 in. (2847 mm) / 109.6 in. (2788 mm)
Ground clearance,	
under transaxle	5.7 in. (145 mm)

PAYLOAD/TOWING CAPACITY

	1000 lb. (454 kg)
--	-------------------

*The engine horsepower and torque information are provided by the engine manufacturer to be used for comparison purposes only. Actual operating horsepower and torque will be less. Refer to the engine manufacturer's web site for additional information.



Optional cargo box dividers let you reconfigure and organize your load in a few minutes without tools.



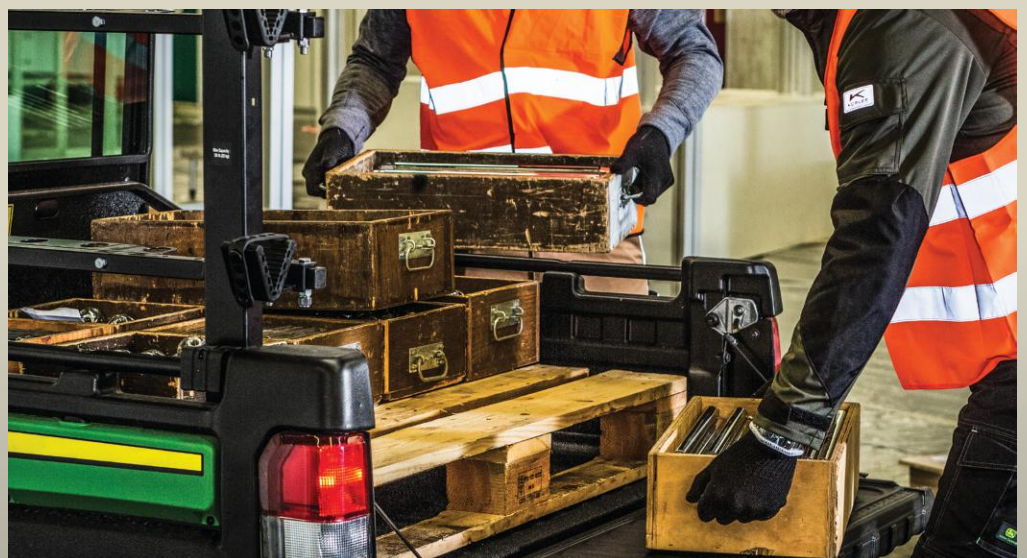
Cargo box has 16.4 cu. ft. (.56 cu. m.) of capacity, a pick-up style tailgate, 20 tie-down points and a gas-assist shock for easier lifting and dumping.



Optional Box Side Extensions increase the amount of light material you can haul such as clippings and mulch when compared to a base model cargo box. Tailgate pivots at the top for ease of unloading loose material.



The 48-volt electrical system performs steady and smooth all day long.* This transporter with zero operating emissions sports a 16.4 cubic foot (.46 cu m) capacity reinforced cargo box, the ideal solution for working inside large warehouses and buildings. The pick-up style tailgate and tie-down points make managing loads easier. For large loads, convert to flatbed mode by removing tailgate and side panels.





GATOR™ TE 4X2 ELECTRIC From zero to amazing.

Go electric, and see what zero can do. Zero operating emissions. Zero fuel consumption. Whisper quiet and tackles your entire workday or to-do list on a single charge*. All while sacrificing ZERO in power and performance—this Gator™ hauls up to 500-lb (227-kg) with the same versatile Deluxe Cargo Box you'll find on the TX and TH models. A UL-approved charger that automatically shuts off after reaching a charge comes standard. So make the change. The feeling will be positively electric.

GATOR™ TE 4X2 ELECTRIC Specifications

DRIVE SYSTEM

Motor	6.0 hp (4.6 kW) separately excited D.C. motor (30 minute S2 rating)
Controller	Separately excited, 400 current limit
Transaxle	16.99:1 ratio with helical gearing
Electrical System	48 volt system
Gear Selection	Forward, Neutral, Reverse
Battery	Trojan T-105
Extended Run Time Battery	Trojan T-145

BRAKES

Type	Dual rear wheel mechanical drum, auto adjust
Park Brake	Hand operated, multi-latch

TIRES

Front	22.5x10.00-8, 4-ply hi-flotation turf
Rear	25x12.00-9, 4-ply hi-flotation turf

SUSPENSION AND STEERING

Front	Independent, spring over shock, single A-Arm
Total Travel	5 in. (127 mm)
Rear	2 hi-flotation, low pressure tires
Steering	Rack and pinion

DIMENSIONS

Height – in. (mm)	44.5 in. (1130 mm)
Width – in. (mm)	60 in. (1524 mm)
Length – in. (mm)	–
With/Without Bumper	107.4 in. (2728 mm) / 104.9 in. (2664 mm)
Ground Clearance	7.3 in. (185 mm) under Foot Platform
Wheelbase	69.7 in. (1770 mm)
Vehicle Weight	1302 lb. (627 kg) w/batteries / T145: 1470 lb. (667 kg)
Turning Clearance Circle	24.1 ft. (7.3 m)

PAYLOAD/TOWING CAPACITY

	900 lb. (409 kg) / 600 lb. (273 kg)
--	-------------------------------------

SEATS

Type	2 Professional high back bucket, tilt forward
Seat Adjustment	Optional

CARGO BOX

Material	Polypropylene side panels and tailgate steel floor and load guard
Length	45 in. (1143 mm)
Width	52 in. (1320 mm) inside
Depth	12 in. (304.8 mm)
Capacity	500 lb. (227 kg)
Volume	16.4 cu. ft. (0.46 cu. m ³)
Height Above Ground	25 in. (635 mm)
Tailgate	Hinged at bottom, removable / side panels are removable
Dump	Manual (optional power lift)

CHARGER

Type	Ferroresonant transformer
Input Voltage	120V AC +/- 10% input, 60 HZ
Input Current	12 amps AC (at start)
True RMS Power	1200 Watts
Estimated Full Recharge Time	12 hours TE 105 / 16 hours TE 145



Plug, charge and go.

No removing the battery. No special charging station needed. The external AC outlet can be plugged into any wall receptacle, it's also covered to protect it from the elements. The charge indicator light measures 3 levels: solid green light is fully charged, faster green flashing light is more than 80% charge, slow green blinking light is a low charge. Red flashing light indicates service is required for the charger or batteries. There is also a battery level indicator gauge located on the dash for easier readouts on-the-go.

*Based on typical usage of the average commercial operator for an 8 hour work day.



Nothing Runs Like A Deere™

*The engine horsepower and torque information are provided by the engine manufacturer to be used for comparison purposes only. Actual operating horsepower and torque will be less. Refer to the manufacturer's web site for additional information. Features, specs and attachments subject to change without notice. Before operating or riding, always refer to the safety and operating information on the vehicle, and in the Operator's Manual. Actual vehicle top speed may vary based on belt wear, tire selection, vehicle weight, fuel condition, terrain and other environmental factors. Travel responsibly on designated roads, trails or areas, respect the rights of others, and avoid sensitive areas such as meadows, lakeshores, wetlands and streams. This literature has been compiled for worldwide circulation. While general information, pictures and descriptions are provided, some illustrations and text may include finance, credit, insurance, product options and accessories NOT AVAILABLE in all regions. PLEASE CONTACT YOUR LOCAL DEALER FOR DETAILS. John Deere reserves the right to change specification, design and price of the products described in this literature without notice. John Deere's green and yellow color scheme, the leaping deer symbol, and JOHN DEERE are trademarks of Deere & Company.



4197251 (23-06)

www.JohnDeere.com/Gator
www.JohnDeere.ca/Gator

