



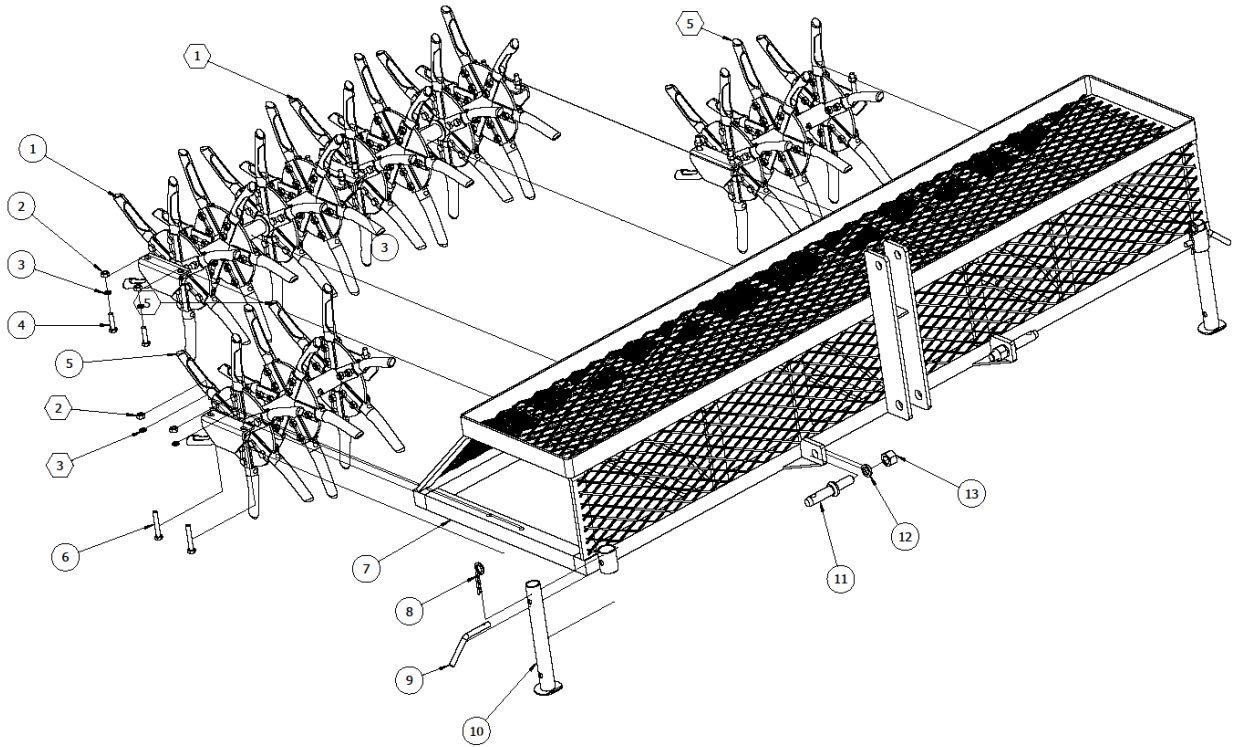
## Parts Manual

### For Models:

- BE-AER4G
- BE-AER5G
- BE-AER6G

Purchase Date	Model No.	Serial No.
<b>Dealer</b>		

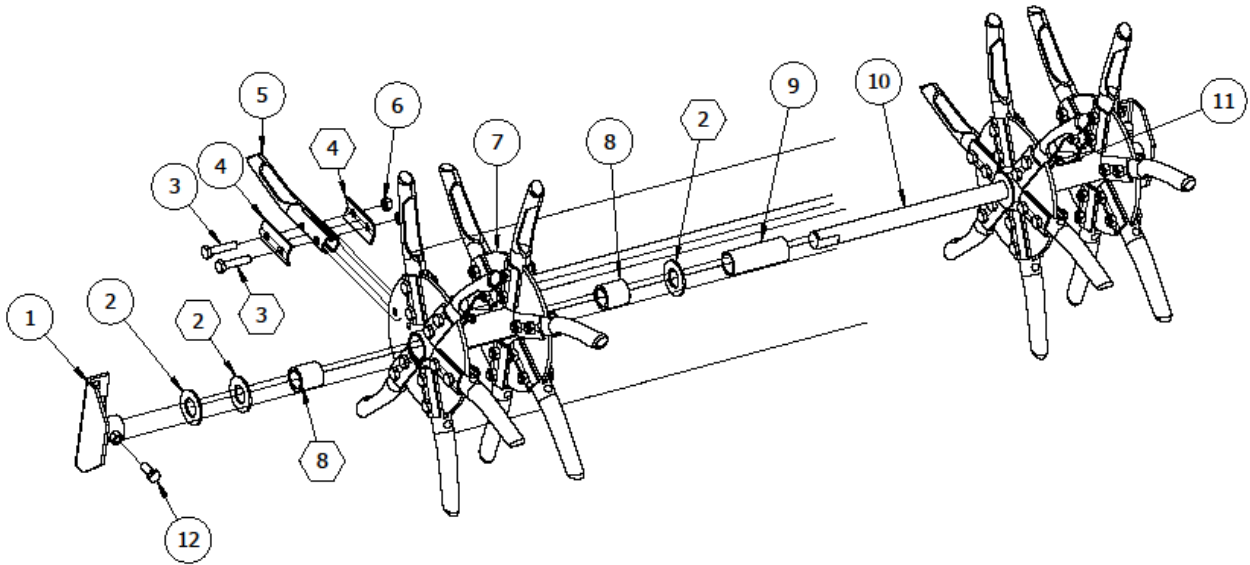
## Main Body



**AER6G Main Body**

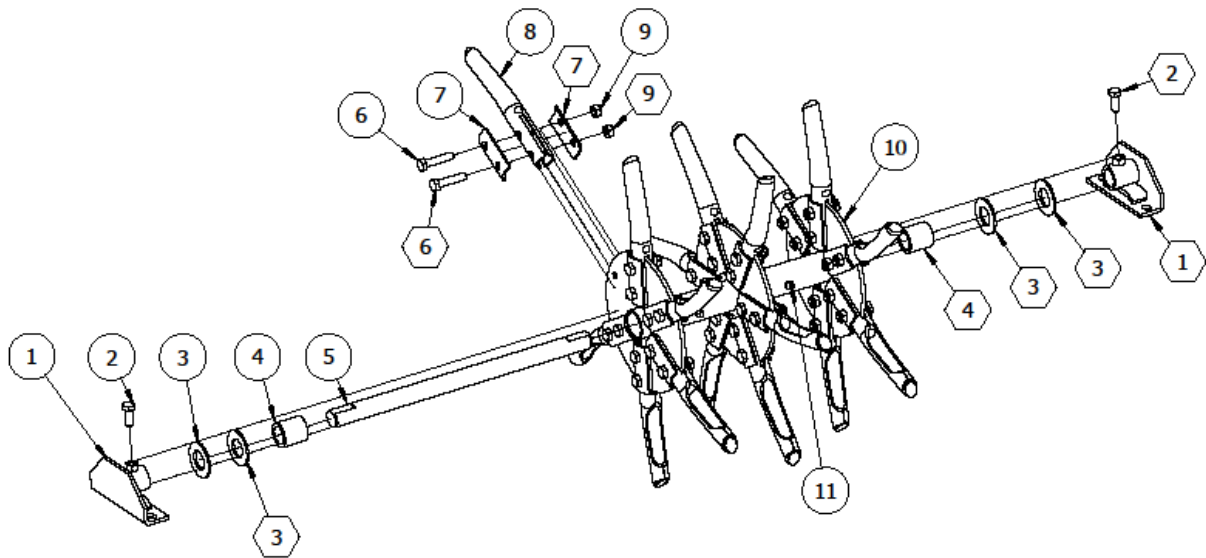
No.	System No.	Drawing No.	Part Name	QTY
1	807810035	LA-5FT. 020000	Rotating disk assembly 1	2
2	503010046	GB6170-M10	Hexagon nut	16
3	506030036	GB93-10	Spring washer	16
4	501011115	GB5783-M10X40	Screw bolt	12
5	807820008	LA-6FT. 020000	LA-6FT Rotating disk assembly 2	2
6	501010750	GB5782-M10X65	Half thread bolt	4
7	807820001	LA-6FT. 010000	LA-6FT Frame	1
8	703340017	ZL-25.104	R pin	2
9	800920101	EF100. 00. 111A	D square pin	2
10	807810032	LA-5FT. 030000	Brace leg	2
11	707810001	LA-5FT. 000001	Connect pin	2
12	506030041	GB93-20	Spring washer	2
13	503010080	GB6171-M20X1.5	Nut	2

# Rotating Disk Assembly 1



Rotating Disk Assembly 1				
No.	System No.	Drawing No.	Part Name	QTY
1	807810025	LA-5FT. 020100	Shaft bracket	2
2	707810021	LA-5FT. 020003	Space washer	6
3	501010746	GB5782-M10X45	Half thread bolt	48
4	707810020	LA-5FT. 020002	Pinch plate	48
5	707810019	LA-5FT. 020001	Vent tine	24
6	503010310	GB6184-M10	Lock nut	48
7	807810029	LA-5FT. 020200	Rotating disc weldment	2
8	707810022	LA-5FT. 020004	Support sleeve	4
9	707810024	LA-5FT. 020006	Spacer bush	1
10	707810023	LA-5FT. 020005	Rotating shaft	1
11	509010009	GB1152-M10X1	Grease cup	2
12	501011112	GB5783-M10X25	Screw bolt	2

## Rotating Disc Assembly 2



Rotating Disk Assembly 2				
No.	System No.	Drawing No.	Part Name	QTY
1	807810025	LA-5FT. 020100	Shaft bracket	2
2	501011112	GB5783-M10X25	Screw bolt	2
3	707810021	LA-5FT. 020003	Space washer	4
4	707810022	LA-5FT. 020004	Support sleeve	2
5	707820009	LA-6FT. 020001	LA-6FT Rotating shaft	1
6	501010746	GB5782-M10X45	Half thread bolt	36
7	707810020	LA-5FT. 020002	Pinch plate	36
8	707810019	LA-5FT. 020001	Vent tine	18
9	503010310	GB6184-M10	Lock nut	36
10	807820010	LA-6FT. 020100	LA-6FT Rotating shaft	1
11	509010009	GB1152-M10X1	Grease cup	2