



Offset Mowers
TBE 22 / RSM SERIES





Summary

TBE 22	4-5
RSM Series.....	6
Specifications	7

SIMPLE AND COMPACT ROADSIDE MOWERS

KUHN OFFSET MOWERS ARE SPECIALLY DESIGNED FOR MOWING ROADSIDES, DITCHES, AND HEDGES. FEATURES SUCH AS PIVOTING HEADSTOCKS AND BREAKAWAY RESET SYSTEMS MAKE MOWING AROUND OBSTACLES EASY AND EFFICIENT IN GOVERNMENT/MUNICIPAL, COMMERCIAL, AND FARM APPLICATIONS.



SHRED & MULCH

The shredding heads of KUHN offset mowers shred grass and material into fine mulch for quick decomposition. In addition, the design deposits the shredded material immediately behind the rear roller, reducing flying debris. Other styles of mowers can launch hard objects hidden in the grass, potentially causing damage or injury.

SIMPLE & EASY MAINTENANCE

Simple shaft and belt rotor drives are easy to keep in peak performance condition. A minimum number of grease zerks and daily checkpoints will help operators complete more mowing per day.

Models	Working Width	Standard Knives	Maximum PTO Power Rating
TBE 22	7'0" (2.14 m)	Universal Knives or Articulated Hammer Knives	110 hp (81 kW)
RSM Series	6' - 7' (1.83 - 2.13 m)	Universal Knives or Articulated Hammer Knives	90 hp (67 kW)

VERSATILE BY DESIGN

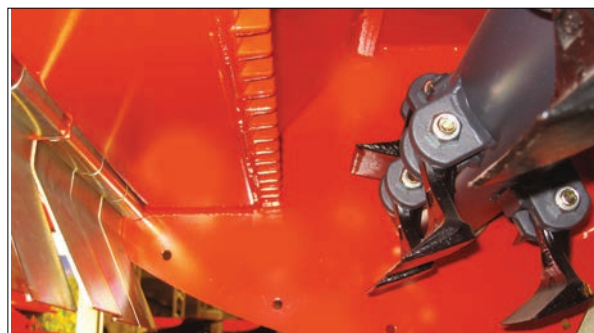
Whether it's the fight against weeds on field edges or road maintenance – there is a solution available for everyone. In multiple conditions, KUHN TBE 22 mower provides you with versatility. These mowers are also supported by their sturdy design and safety features to avoid damage.

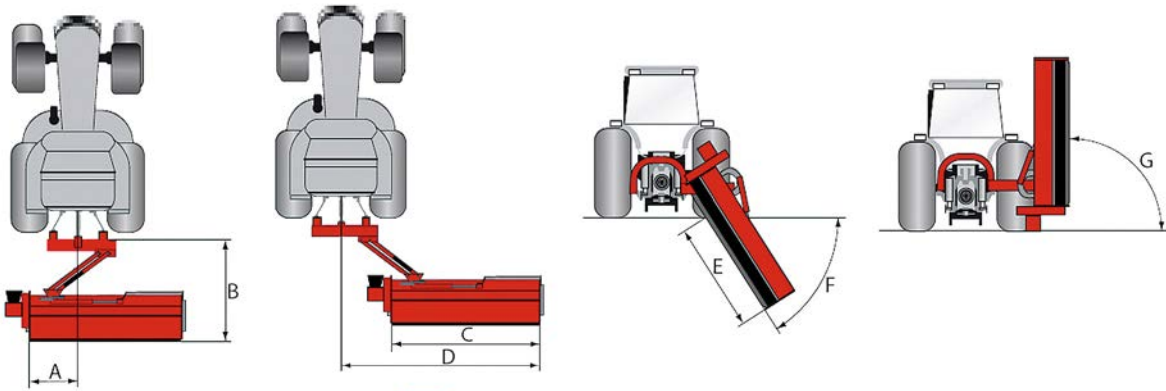
Maintenance mowing has to be done in a variety of environments, but will usually take place in grassy areas with a high chance of hidden foreign objects. The TBE 22 has been designed specifically for these types of operations. These mowers will easily meet your offset mowing needs. The design is suited for hedge work with operating angles from -65° to $+90^{\circ}$.



PROTECTED AGAINST IMPACT

When meeting an obstacle, the machine frame is protected by a non-stop, spring-loaded safety system. After the obstacle is cleared, the machine will automatically return to working position. The mechanical parts that are exposed to impact are all protected and the hood features a welded, 4-mm thick sheet metal lining for increased resistance to impacts and wear.





TBE 22	
A	27.4" (70 cm)
B	72.8" (185 cm)
C	84.4" (214 cm)
D	119.3" (30.3 cm)
E	62.8" (160 cm)
F	-65 degrees
G	+90 degrees

MORE MOWING OPTIONS, MORE MOWING POSSIBILITIES

A wide angle PTO shaft is standard. This is one of the most important features on the machine, especially if you spend a large amount of time in the field with the machine in an offset or vertical position. Look at the diagram and chart above to see examples of how a TBE mower can be more versatile by working in multiple positions.

SHREDDING TO FIT YOUR NEEDS

Choose from either:

1. Hammer knives are much heavier and more desirable in applications that encounter a significant number of small branches or woody twigs.
2. Universal knives feature a "Y" shape, idea for powering through thick grass.

Other knife styles are available through KUHN Parts to match a wide range of specific applications.



NON-STOP SAFETY SPRING

A non-stop safety spring protects the structure against impacts. In order to not exceed the strength of the springs, a mechanical stop is standard.



TOUGH IN AND OUT OF THE FIELD

This machine has a number of strong features including:

- High-strength steel construction with an excellent weight:strength ratio
- Strong 4" x 4" (10 x 10 cm) hitch frame
- Welded sheet metal lining
- Vented drive belt cover to reduce heat buildup
- Hard steel skid shoes



TRIED AND TESTED STRENGTH

Designed for intensive use, the frame of the KUHN TBE offset mower is unmatched with its reliability and longevity. This machine includes self-lubricating bushings on all-pivot points.

OFFSET MOWERS RSM SERIES

SIMPLE AND COMPACT

Quality of work and adaptability are the two main characteristics of roadside mowers. Suitable for tractors with 65–90 hp (49–67 kW), the RSM models are at ease in a wide variety of conditions.

The models in the RSM range have been designed to meet local municipality needs for mowing with increased safety over conventional rotary mowers.



ROCK-SOLID DRIVE SYSTEM

The drive system is comprised of four automatically tensioned, high-capacity V-belts.



CHOOSE YOUR TOOL

The rotor can be equipped with two types of knives:

1. Universal knives for mowing in heavy grass conditions.
2. Articulated hammer knives for mowing in tough conditions that may include rocks and foreign objects.



HYDRAULIC SIDE SHIFT

The RSM can be fitted with a hitch frame incorporating a horizontal offset. This reduces overhang and limits stress in the structure during offset maneuvers. With the 23" (58 cm) offset, obstacles can be quickly and easily avoided.



A MACHINE YOU CAN TRUST

The structure of the chassis and frame are based on decades of experience. In the event of a collision with an obstacle, the mechanical safety device will protect the machine's structure. Hydraulic non-stop breakaway with automatic reset is available as an option.

Technical Specifications		TBE 22
	TBE 22	
Working width	7'0" (2.14 m)	
Transport width	7'10" (2.39 m)	
Rotor speed	2,325 rpm	
Knife linear speed	116 mph (52 m/s)	
Number of hammer knives	24	
Number of universal knives	48	
Working height adjustment	Roller with fixed ends	
Inner protection cover	0.16" (4 mm) welded liner	
Mechanical breakaway system	Standard	
Curved skid shoes	Standard	
Free wheel integrated in the central gearbox	Standard	
Wide angle PTO shaft	Standard	
Hitch type	Cat. 2, 3-point	
Required tractor hydraulic connections	1 SA and 1 DA	
Machine net weight, approx. with roller	1,773 lbs (804 kg)	
PTO speed (rpm)	540	
Rotor diameter	16.7" (425 mm)	
Minimum PTO power requirement	80 hp (59 kW)	
Maximum PTO power recommended	110 hp (81 kW)	

Technical Specifications		RSM Series	
	RSM 180	RSM 210	
Working width	6' (1.83 m)	7' (2.13 m)	
Number of articulated hammer knives	20	24	
Hydraulic control of inner and outer cutting head position	Standard	Standard	
Inner protection cover	Standard	Standard	
Mechanical breakaway system	Standard	Standard	
Height adjustment by roller with removable ends	Standard	Standard	
Curved skid shoes	Standard	Standard	
Free wheel integrated in the central gearbox	Standard	Standard	
Hitch type	3-point, Cat. 2 (quick hitch compatible)		
Required tractor hydraulic connections	2 SA - with float required		
Machine net weight, approx. with roller	1,565 lbs (710 kg)	1,785 lbs (810 kg)	
PTO speed (rpm)	540		
Rotor drive	4 - SPB belts		
Minimum PTO power requirement	65 hp (49 kW)		
Maximum PTO power requirement	90 hp (67 kW)		

MyKUHNS

THE LINK TO MY SUCCESS

MyKUHNS is your online customer portal where you can access machine operator's manuals, parts catalog and more! The site is available on computer, phone or tablet, so you can access your fleet's information anywhere around the farm. Create an account and register your KUHN equipment today!



MORE PRODUCTS TO MEET YOUR NEEDS!



1. Shredders - 2. Salt Spreaders - 3. Power Tillers - 4. Power Harrows - 5. Grain Drills - 6. Fertilizer Spreaders

KUHN NORTH AMERICA, INC. | Corporate Headquarters | 1501 West Seventh Avenue - Brodhead, WI 53520

For more information about your nearest KUHN dealer, visit our website www.kuhn.com

Information given in this document is only for informational purposes and is non-contractual. Our machines are in compliance with North American safety standards. In our literature, and for improved illustration of certain details, some safety devices may not be in operating position. When operating these machines, these devices must be operated in accordance with the requirements indicated in the operator's manuals and assembly manuals. We reserve the right to change any designs, specifications or materials listed without further notice. Machines and equipment in this document can be covered by at least one patent and/or registered design. Trademarks cited in this document may be registered in one or several countries.

Printed in USA 706540US 0921 Copyright 2021 Kuhn North America, Inc.

