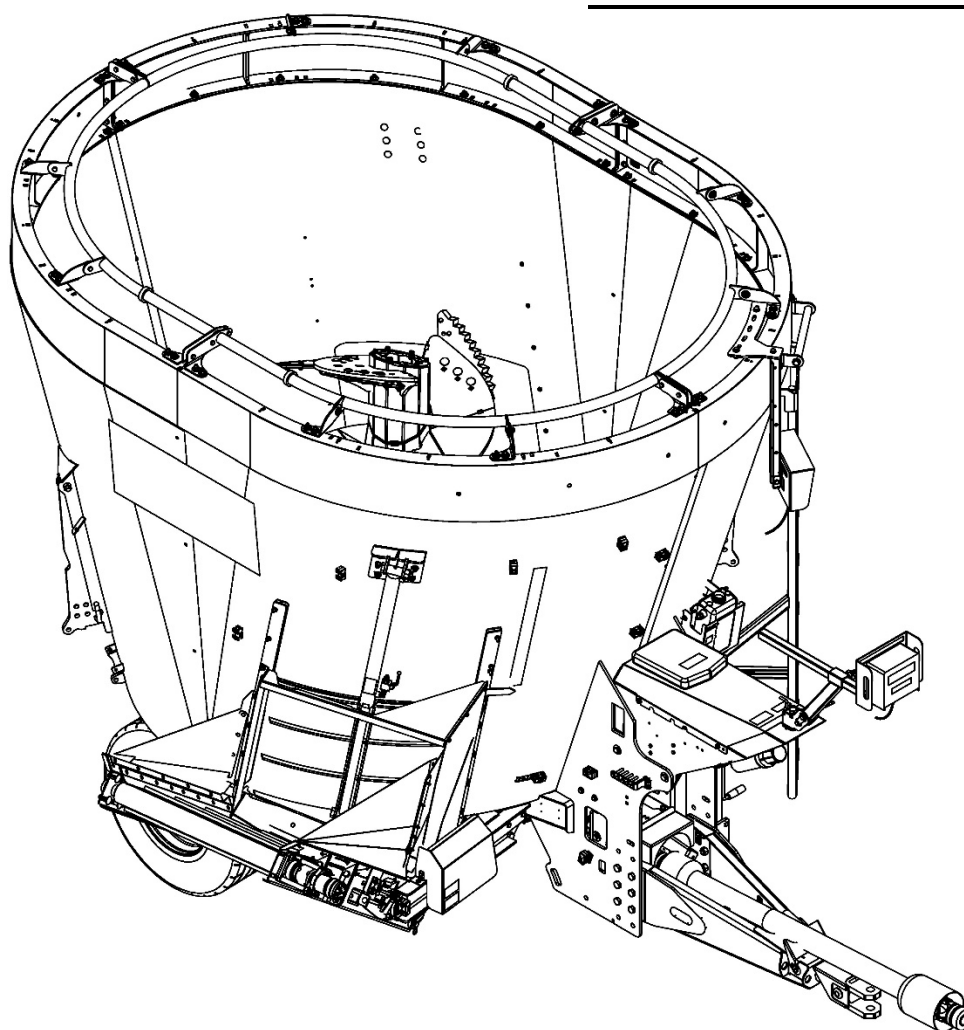


404687



ANDERSON

Smart-mix A450ST
Mixer
Mélangeur



Parts Manual
Livre de pièces
2022

Content / Contenu

00 – GENERAL / GÉNÉRAL
01 – MIXING CHAMBER / CUVE
02 – AXLE / ESSIEU
03 – NOSE / NEZ
04 – HITCH / TIMON
05 – RESTRICTOR BLADE / CONTRE-COUTEAUX
06A – AUGER / VIS
06B- AUGER OPTION / OPTIONS POUR VIS
07 – SIDE SLIDE / CHUTE DE CÔTÉ
08 – MANUAL JACK / BÉQUILLE MANUELLE
09 – HATCH / TRAPPE
10 – REAR COVER / BOUCHON
11 – LADDER / ÉCHELLE
12A – REAR TRANSMISSION / TRANSMISSION ARRIÈRE
12B – REAR TRANSMISSION / TRANSMISSION ARRIÈRE (PTO)
12C – TRANSMISSION DIAGRAM / DIAGRAMME DE TRANSMISSION
13A - FRONT TRANSMISSION / TRANSMISSION AVANT / 1HD134Z6
13B - FRONT TRANSMISSION / TRANSMISSION AVANT / 540Z6WG1151P134
13C - FRONT TRANSMISSION / TRANSMISSION AVANT / GBD7321000VP7Z21
13G – 325373 – PTO TRACTOR 1 3/8 Z21 / PTO TRACTEUR 1 3/8 Z21
13K – 325246 – PTO TRACTOR 1 3/8 Z6 / PTO TRACTEUR 1 3/8 Z6
14A - SCALE CONTROL DG500 /CONTRÔLE DE PESÉ DG500
14B - SCALE OPTION / OPTION DE PESÉ
15A – 15D - STICKER LOCATION / EMBLACEMENT DES DÉCALQUES
16 - CAPACITY EXTENSION 6’’ 12’’ 18’’ / REHAUSSE 6’’ 12’’ 18’’
17 - HAY RETENTION RING / ANNEAU ANTI-DÉBORDEMENT
19A – 19D INCLINE BELT CONVEYOR 3’ TO 8’ / CONVOYEUR INCLINÉ À COURROIE 3’ À 8’
19E - MOUTING KIT (BELT) CONVEYOR / KIT DE MONTAGE CONVOYEUR À COURROIE
20A – 20G INCLINED CHAIN CONVEYOR 3’ TO 8’ / CONVOYEUR INCLINÉ À COURROIE 3’ À 8’
20H – MOUNTING KIT CHAIN CONVEYOR / KIT DE MONTAGE DE CONVOYEUR À CHAÎNE
21A – 21G – HYDRAULIC DIAGRAM / DIAGRAMME HYDRAULIQUE
22 – ELECTRIC DIAGRAM / DIAGRAMME ÉLECTRIQUE
23 – BUMPER / PARE-CHOC
24A – ADDITIONAL OUTPUT / SORTIE ADDITIONNELLE
24B – HYD. DIAGRAM ADDITIONAL OUTPUT / DIAGRAMME HYD. SORTIE ADDITIONNELLE
25A – MANUAL HYDRAULIC CONTROL / COMMANDE HYDRAULIQUE MANUELLE
25B – HYD. DIAGRAM MANUAL CONTROL / DIAGRAMME HYD. COMMANDE MANUELLE

Pour les commandes de pièces, utilisez le livre de pièces et trouvez l’item dont vous avez besoin et contacter votre revendeur ou contactez-nous directement à :

For any parts order, please use the parts manual to find the item you need and contact your dealer or contact us directly at:

GROUPE ANDERSON

5125 de la Plaisance

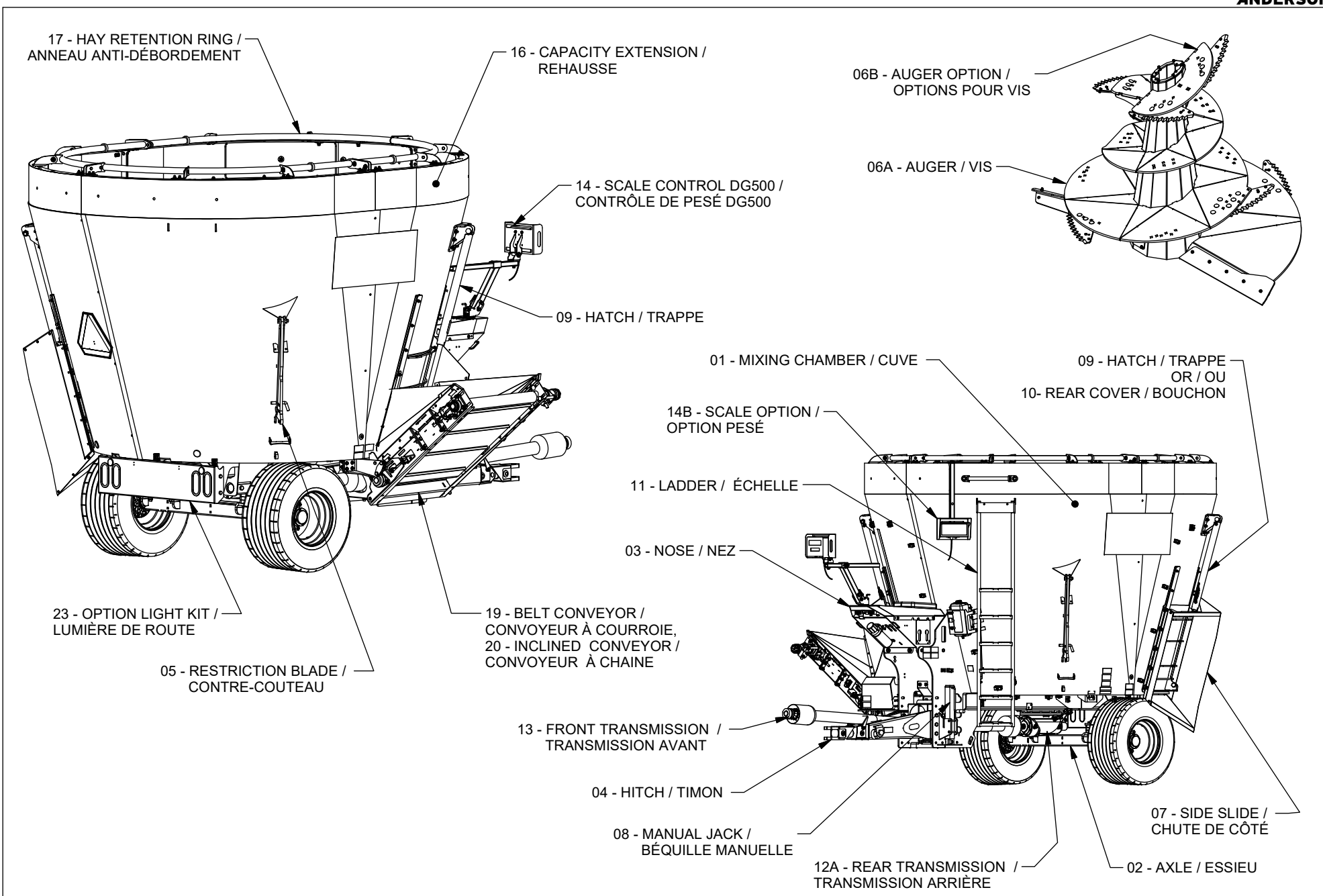
Chesterville (Québec)

CANADA G0P 1J0

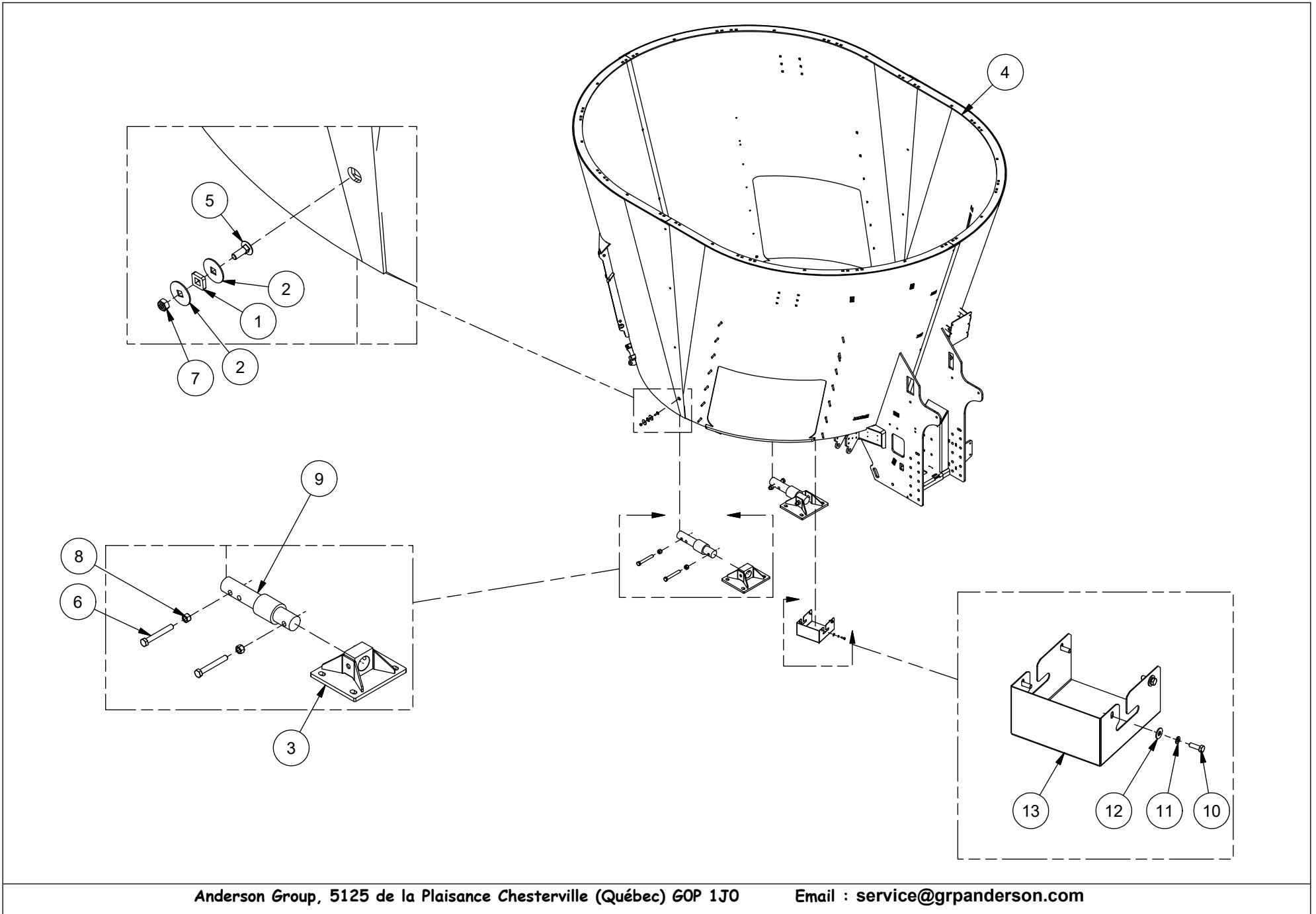
Tel.: (819)-382-2952 Fax.: (819) 382-2643 Email : support@grpanderson.com

Visit our website: grpanderson.com

00 - GENERAL A450ST / GÉNÉRAL A450ST



01 - MIXING CHAMBER / CUVE

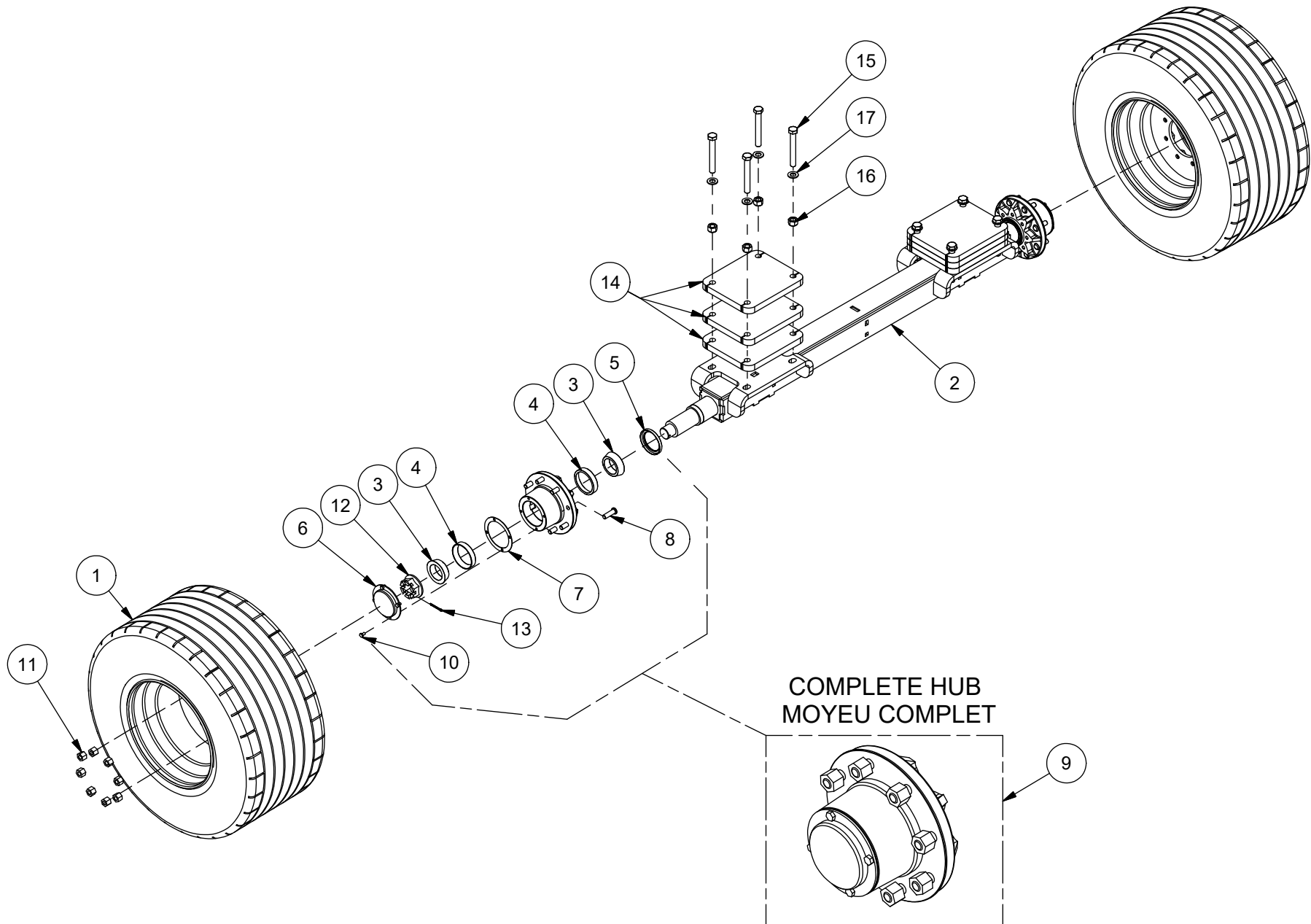


01 - MIXING CHAMBER / CUVE



ITEM	QT	PART/PIECE	ENGLISH DESCRIPTION	DESCRIPTION FRANCAISE	NOTE
1	2	090-CUV-115	CARRIAGE SPACER	ESPACEUR DE CARROSSERIE	
2	4	090-CUV-116	CARRIAGE FLAT WASHER	RONDELLE PLATE DE CARROSSERIE	
3	2	091-FRM-AI	LOAD CELL BASE	BASE DE PESON	
4	1	097-CUV-AI	MIXING CHAMBER	CUVE	
5	2	500705	CARRIAGE BOLT M10 X 1.50 X 30 CL4.6	BOULON CAROSSERIE M10 X 1.50 X 30 CL4.6	
6	4	506107	HEX BOLT M20 X 2,5 - 150 CL8.8 Z	BOULON HEX M20 X 2,5 - 150 CL8.8 Z	
7	2	506039	NYLON NUT M10 X 1.5	ECROU NYLON M10 X 1.5	
8	4	506038	NYLON NUT M20 X 2.5	ECROU NYLON M20 X 2.5	
9	2	900700	MOBILE LOAD CELL 63.5-CE C+6.5 + ECP	MOBILE LOAD CELL 63.5-CE C+6.5 + ECP	
10	4	506001	HEX. BOLT M8 X 1.25 X 25mm CL8.8	BOULON HEX. M8 X 1.25 X 25mm CL8.8	
11	4	502046	LOCK WASHER 5/16 Z	RONDELLE DE BLOCAGE 5/16 Z	
12	4	502014	FLAT WASHER 5/16 Z	RONDELLE PLATE 5/16 Z	
13	1	090-GRD-058	GUARD	GARDE	

02 - STANDRAD AXLE / ESSIEU STANDARD

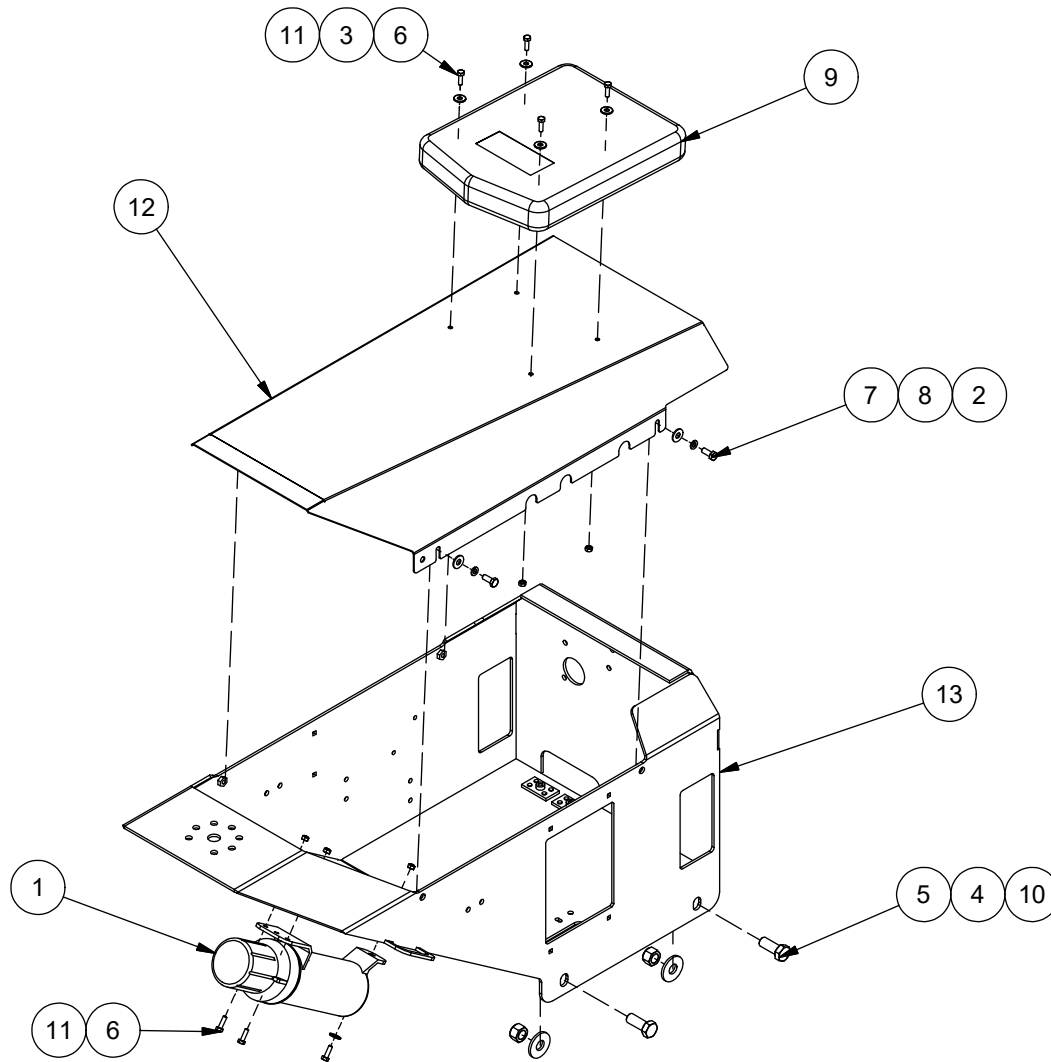


02 - STANDRAD AXLE / ESSIEU STANDARD



ITEM	QT	PART/PIECE	ENGLISH DESCRIPTION	DESCRIPTION FRANCAISE	NOTE
1	2	481533	TIRE	PNEU	
2	1	093-ESS-AA	AXLE	ESSIEU	
3	4	303491	BEARING 28995 *	ROULEMENT 28995 *	
4	4	303492	BEARING CUP KOYO-28921 *	CAGE DE ROULEMENT KOYO-28921 *	
5	2	303490	RADIAL SHAFT SEAL 10000 *	JOINT RADIAL 10000 *	
6	2	481020	SEAL	BOUCHON	
7	2	303510	SEAL	JOINT	
8	16	481006	STUD DE HUB 5/8	GOUJON DE MOYEU 5/8	
9	2	481406*	COMPLETE HUB	MOYEU COMPLET	
10	8	500040	HEX BOLT GR5 5/16-18 X 1/2	BOULON HEX GR5 5/16-18 X 1/2	
11	16	501902	HEX WHEEL NUT 5/8-18	ÉCROU DE ROUE 5/8-18	
12	2	501133	HEX CASTLE NUT FLANGE 1 3/4-12	ÉCROU CHÂTEAU À EMBASE HEX GR5 1 3/4-12	
13	2	320002	COTTER PIN	GOUPILLE	
14	6	093-FRM-017	AXLE SPACER	ESPACEUR D' ESSIEUX	
15	8	506107	HEX BOLT M20 X 2,5 - 150 CL8.8 Z	BOULON HEX M20 X 2,5 - 150 CL8.8 Z	
16	8	506038	NYLON NUT M20 X 2.5	ECROU NYLON M20 X 2.5	
17	16	502017	FLAT WASHER SAE 3-4 ZINC	RONDELLE PLATE SAE 3-4 ZINC	

03 - NOSE / NEZ

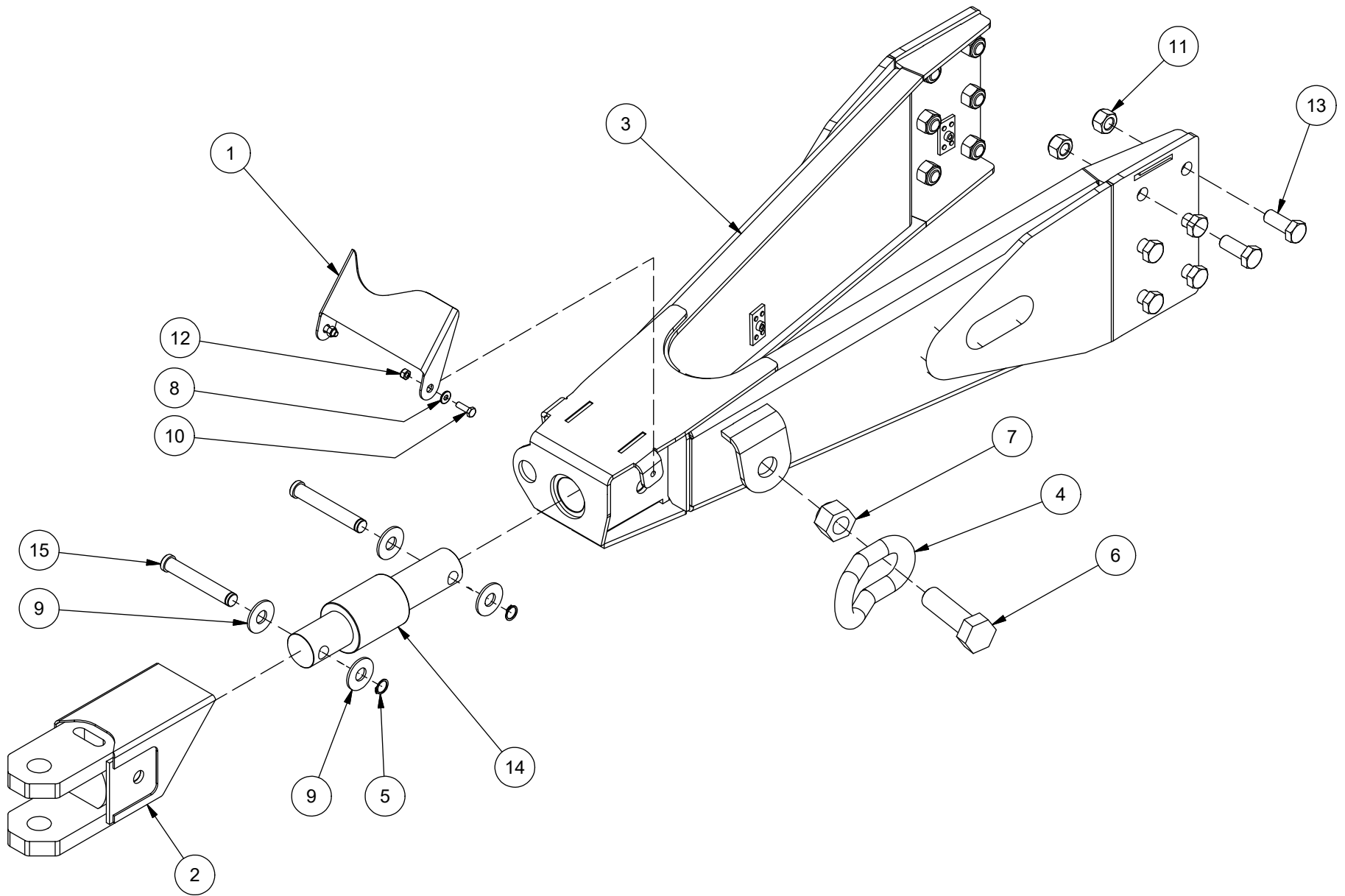


03 - NOSE / NEZ



ITEM	QT	PART/PIECE	ENGLISH DESCRIPTION	DESCRIPTION FRANCAISE	NOTE
1	1	325120	MANUAL CASE	COFFRE DU MANUEL	
2	4	502014	FLAT WASHER 5/16 Z	RONDELLE PLATE 5/16 Z	
3	5	502002	FLAT WASHER 1/4 Z	RONDELLE PLATE 1/4 Z	
4	6	502008	FLAT WASHER 5/8 Z	RONDELLE PLATE 5/8 Z	
5	4	506012	HEX. BOLT M16 X 2 X 40mm CL8.8	BOULON HEX. M16 X 2 X 40mm CL8.8	
6	7	506124	HEX. BOLT M6 X 1 X 20mm CL8.8	BOULON HEX. M6 X 1 X 20mm CL8.8	
7	4	506000	HEX. BOLT M8 X 1.25 X 20mm CL8.8	BOULON HEX. M8 X 1.25 X 20mm CL8.8	
8	4	502046	LOCK WASHER 5/16 Z	RONDELLE DE BLOCAGE 5/16 Z	
9	1	325109-1	MANUAL CASE	BOITIER DU MANUEL	
10	4	506037	NYLON NUT M16 X 2	ECROU NYLON M16 X 2	
11	7	506050	HEX NUT M6 X 1	ECROU NYLON M6 X 1	
12	1	091-GRD-034	NOSE CAP	COUVERCLE DU NEZ	
13	1	091-HYD-AA	NOSE FRAME	CHÂSSIS DU NEZ	

04 - HITCH / TIMON



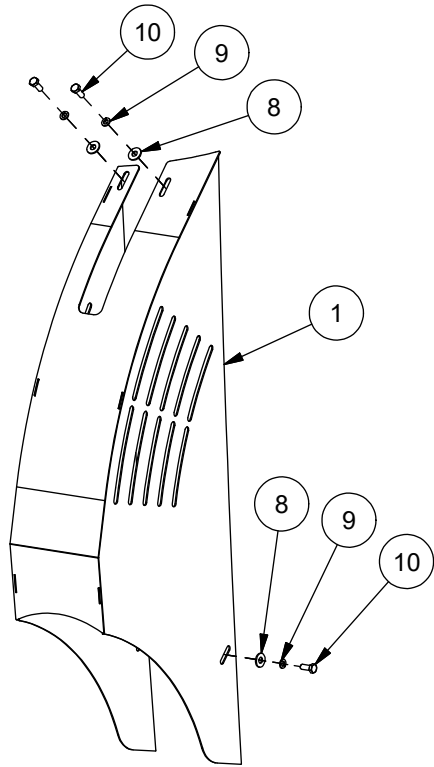
04 - HITCH / TIMON



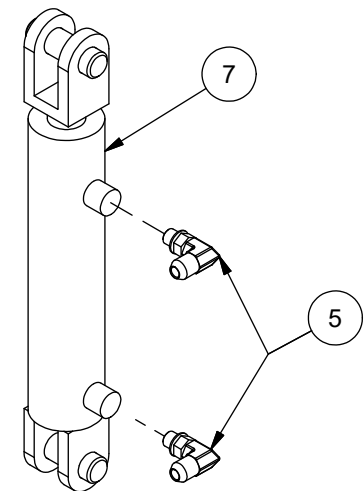
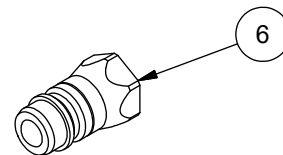
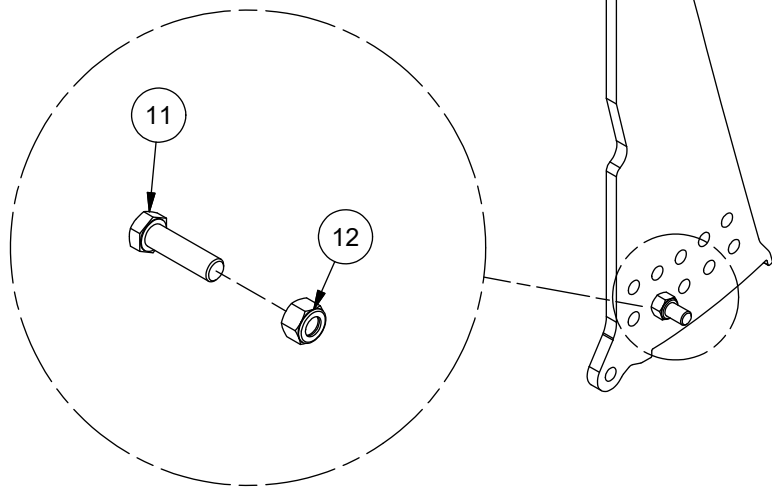
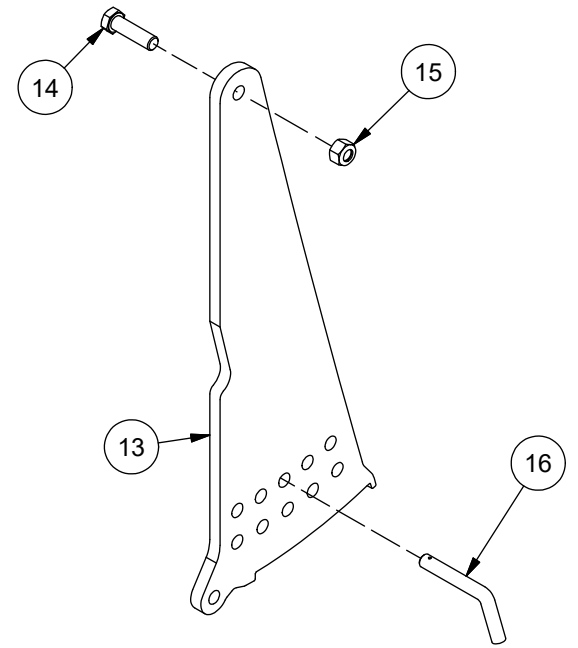
ITEM	QT	PART/PIECE	ENGLISH DESCRIPTION	DESCRIPTION FRANCAISE	NOTE
1	1	091-FRM-156	DRIVE SHAFT SUPPORT	SUPPORT D'ARBRE À TRANSMISSION	
2	1	091-FRM-AL	BOLTED DRAW BAR	MAIN DE REMORQUAGE	
3	1	091-FRM-AP	HITCH FRAME	CHÂSSIS DU TIMON	
4	1	302021	SAFETY CHAIN	CHAINE DE SÉCURITÉ	
5	2	320133	SNAP RING EXT 20MM	BAGUE DE RETENUE EXT 20MM	
6	1	500351	HEX. BOLT 1 1/4 X 4 - NC GR.8	BOULON HEX. 1 1/4 X 4 - NC GR.8	
7	1	501078	HEX NYLON LOCKNUT GR5 1 1/4-7 Z	ÉCROU NYLON IND HEX GR5 1 1/4-7 Z	
8	2	502002	FLAT WASHER 1/4 Z	RONDELLE PLATE 1/4 Z	
9	4	502009	FLAT WASHER 3/4 Z	RONDELLE PLATE 3/4 Z	
10	2	506001	HEX. BOLT M8 X 1.25 X 25mm CL8.8	BOULON HEX. M8 X 1.25 X 25mm CL8.8	
11	12	506038	NYLON NUT M20 X 2.5	ECROU NYLON M20 X 2.5	
12	2	506051	NYLON NUT M8 X 1.25	ECROU NYLON M8 X 1.25	
13	12	506080	HEX. BOLT M16 X 2.5 X 50mm CL8.8	BOULON HEX. M20 X 2.5 X 50mm CL8.8	
14	1	900699	MOBILE LOAD CELL 54-CD	CELLULE DE PESAGE MOBILE 54-CD	
15	2	900784	LOCKING PIN Ø20MM	GOUJON DE BLOCAGE Ø20MM	

05 - RESTRICTOR BLADE / CONTRE-COUTEAU

HYDRAULIC OPTION
OPTION HYDRAULIQUE



STANDARD

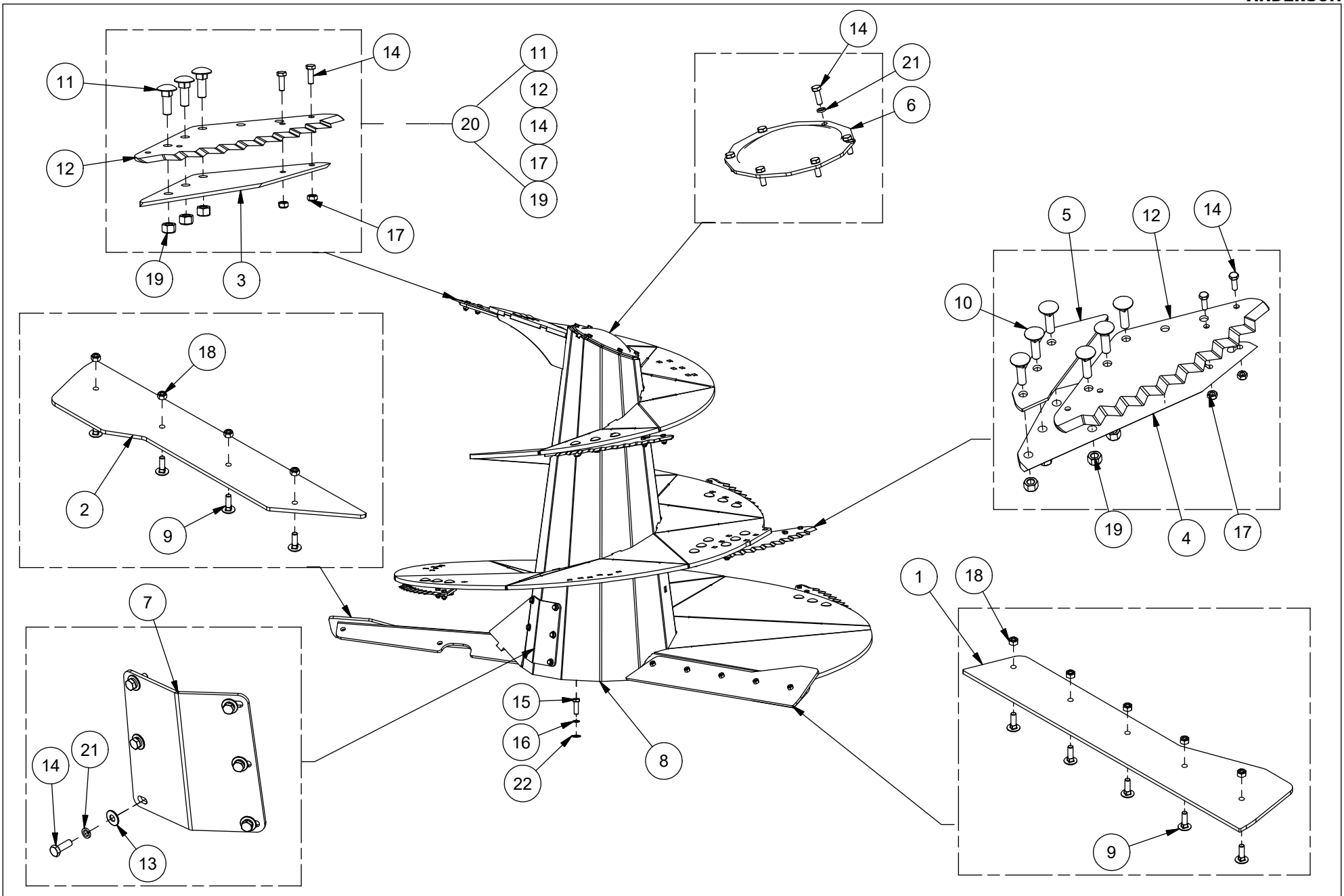


05 - RESTRICTOR BLADE / CONTRE-COUTEAU



HYDRAULIC OPTION / OPTION HYDRAULIQUE					
ITEM	QT	PART/PIECE	ENGLISH DESCRIPTION	DESCRIPTION FRANCAISE	NOTE
1	2	095-GRD-AB	RESTRICTOR BLADE GUARD	GARDE DU CONTRE-COUTEAU	
2	10	320009-3	PIPE CLAMP	SUPPORT BOYAU	
3	2	450858	6 M.JIC - 6 M.JIC	6 M.JIC - 6 M.JIC	
4	4	450897	NUT FOR HYDRAULIC FITTING	ÉCROU POUR ADAPTEUR HYDRAULIQUE	
5	4	451258	6 M.JIC - 4 M.ORB 90°	6 M.JIC - 4 M.ORB 90°	
6	2	452000	1/2 QUICK COUPLER NPTM	RACCORD RAPIDE 1/2 NPTM	
7	2	467357	CYLINDER CL 1505-S	CYLINDRE CL1505-S	SEAL KIT #467814
8	8	502014	FLAT WASHER 5/16 Z	RONDELLE PLATE 5/16 Z	
9	8	502046	LOCK WASHER 5/16 Z	RONDELLE DE BLOCAGE 5/16 Z	
10	8	506000	HEX. BOLT M8 X 1.25 X 20mm CL8.8	BOULON HEX. M8 X 1.25 X 20mm CL8.8	
11	2	506128	HEX. BOLT M20 X 2.5 X 70mm CL8.8	BOULON HEX. M20 X 2.5 X 70mm CL8.8	
12	2	506038	NYLON NUT M20 X 2.5	ECROU NYLON M20 X 2.5	
STANDARD					
13	1	090-CUV-039	ADJUSTABLE RESTRICTOR BLADE	CONTRE-COUTEAU AJUSTABLE	
14	1	506128	HEX. BOLT M20 X 2.5 X 70mm CL8.8	BOULON HEX. M20 X 2.5 X 70mm CL8.8	
15	1	506038	NYLON NUT M20 X 2.5	ECROU NYLON M20 X 2.5	
16	1	320162	3/4 PIN	TIGE PLIÉ 3/4	
<p>Anderson Group, 5125 de la Plaisance Chesterville (Québec) GOP 1J0 Email : service@grpanderson.com</p>					

06A - BIG HIGH AUGER / GROSSE VIS HAUTE



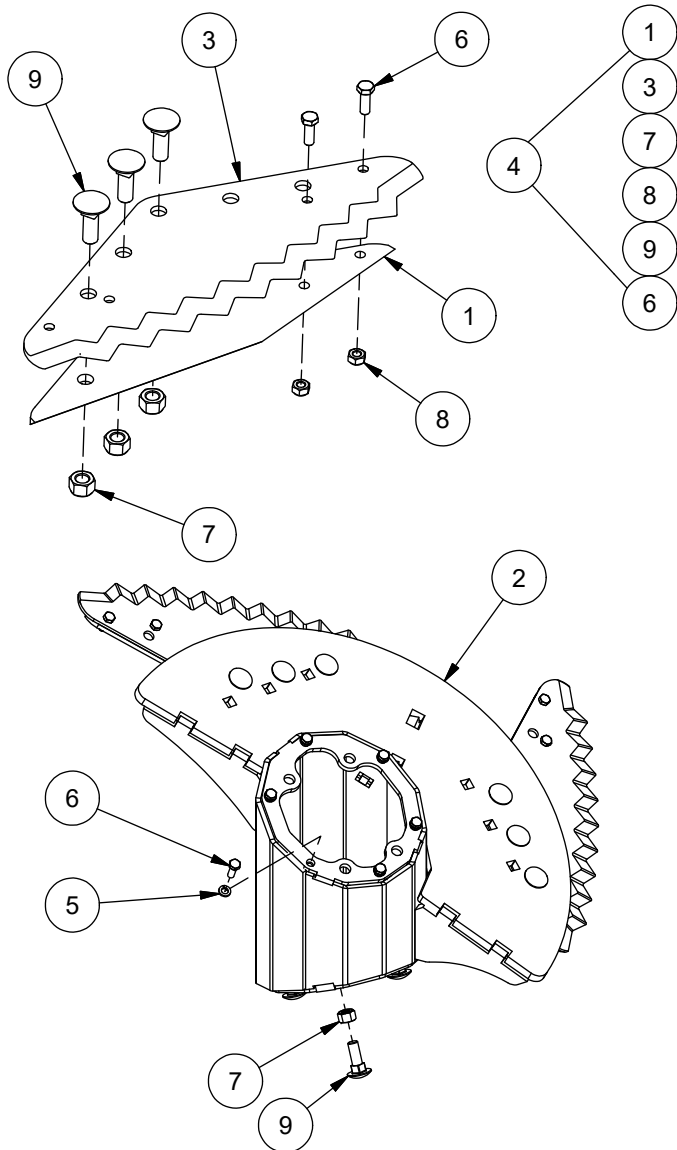
06A - BIG HIGH AUGER / GROSSE VIS HAUTE



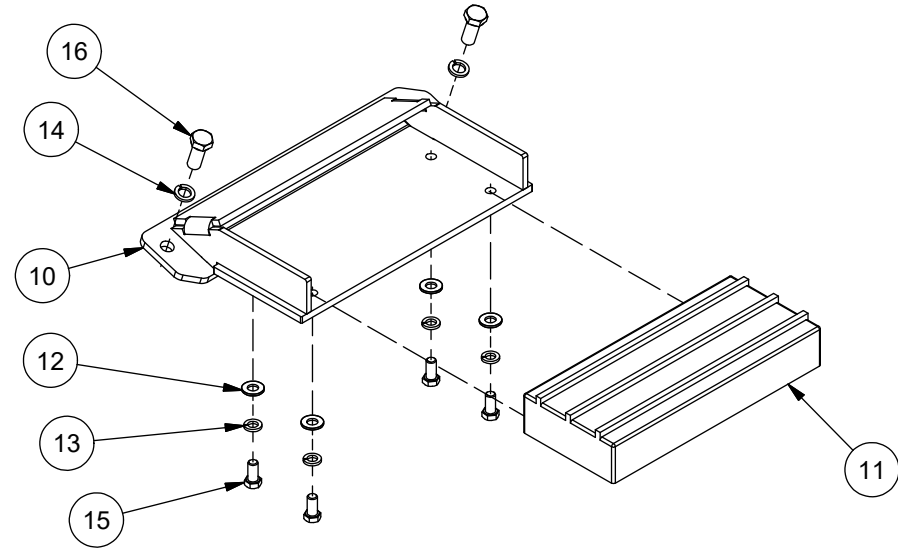
ITEM	QT	PART/PIECE	ENGLISH DESCRIPTION	DESCRIPTION FRANCAISE	NOTE
1	1	090-VIS-018	HELICAL SCRAPER	RACLOIR D'HÉLICE	
2	1	090-VIS-019	SECOND SCRAPER	RACLOIR SECONDAIRE	
3	7	090-VIS-056	STD KNIFE HOLDER FOR SCREW	SUPPORTS À COUTEAUX DES VIS STD	
4	1	090-VIS-211	DEPORT KNIFE HOLDER FOR BIG SCREW	SUPPORT COUTEAU DEPORTER POUR GRANDE VIS	
5	1	090-VIS-212	SHIM DEPORT KNIFE HOLDER FOR BIG SCREW	ESPACEUR SUP.COUTEAU DEPORTER GRANDE VIS	
6	1	090-VIS-AJ	AUGER CAP	CAP DE VIS	
7	2	095-VIS-038	COVER PLATE	COUVERCLE	
8	1	097-VIS-AB	AUGER	VIS	
9	9	507135	CARRIAGE BOLT M12 X 1.75 X 40 CL8.8	BOULON CAROSSERIE M12 X 1.75 X 40 CL8.8	
10	6	506153	CARRIAGE BOLT M16 X 2 X 60 CL8.8	BOULON CAROSSERIE M16 X 2 X 60 CL8.8	
11	21	506154	CARRIAGE BOLT M16 X 2 X 50 CL8.8	CBZ M16 - 2.00 X 50MM CL8.8	
12	8	243065	REVERSIBLE KNIFE	COUTEAU RÉVERSIBLE	
13	12	502004	FLAT WASHER 3/8 Z	RONDELLE PLATE 3/8 Z	
14	34	506009-2	HEX. BOLT M10 X 1.5 X 30mm CL8.8	BOULON HEX. M10 X 1.5 X 30mm CL8.8	
15	15	506076	HEX. BOLT M16 X 2 X 50mm CL8.8	BOULON HEX. M16 X 2 X 50mm CL8.8	
16	15	502049	LOCK WASHER 5/8	RONDELLE DE BLOCAGE 5/8	
17	16	506039	NYLON NUT M10 X 1.5	ECROU NYLON M10 X 1.5	
18	9	506040	NYLON NUT M12 X 1.75	ECROU NYLON M12 X 1.75	
19	27	506037	NYLON NUT M16 X 2	ECROU NYLON M16 X 2	
20	1	243065-KIT	EXTRA KNIFE FOR MIXER	EXTRA COUTEAU POUR MÉLANGEUR	
21	18	502042	LOCK WASHER M10 ZINC	RONDELLE DE BLOCAGE M10 ZINC	
22	15	502008-1	FLAT WASHER 5/8 Z-SAE	RONDELLE PLATE 5/8 Z-SAE	

06B - BIG AUGER OPTION / OPTION GROSSE VIS

AUGER EXTENSION / EXTENSION DE VIS



MAGNET ON MIXER AUGER / AIMANT SUR VIS MÉLANGEUR



06B - BIG AUGER OPTION / OPTION GROSSE VIS



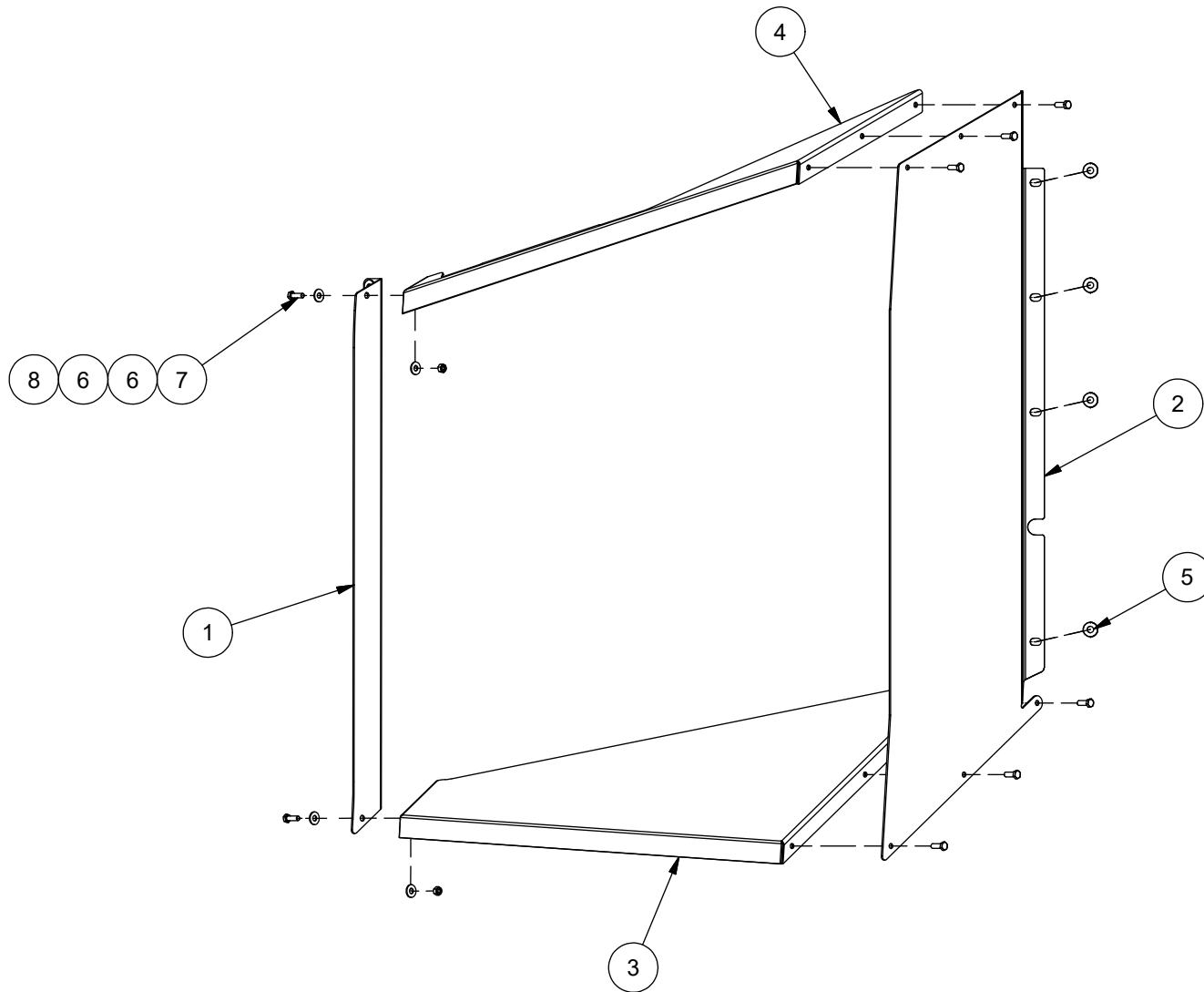
AUGER EXTENSION / EXTENSION DE VIS

ITEM	QT	PART/PIECE	ENGLISH DESCRIPTION	DESCRIPTION FRANCAISE	NOTE
1	2	090-VIS-056	STD KNIFE HOLDER FOR SCREW	SUPPORTS À COUTEAUX DES VIS STD	
2	1	090-VIS-AL	AUGER EXTENSION	EXTENSION DE VIS	
3	2	243065	REVERSIBLE KNIFE	COUTEAU RÉVERSIBLE	
4	1	243065-KIT	EXTRA KNIFE FOR MIXER	EXTRA COUTEAU POUR MÉLANGEUR	
5	6	502047	LOCK WASHER 7/16	RONDELLE DE BLOCAGE 7/16	
6	10	506009-2	HEX. BOLT M10 X 1.5 X 30mm CL8.8	BOULON HEX. M10 X 1.5 X 30mm CL8.8	
7	12	506037	NYLON NUT M16 X 2	ECROU NYLON M16 X 2	
8	4	506039	NYLON NUT M10 X 1.5	ECROU NYLON M10 X 1.5	
9	12	506154	CARRIAGE BOLT M16 X 2 X 50 CL8.8	CBZ M16 - 2.00 X 50MM CL8.8	

MAGNET ON MIXER AUGER / AIMANT SUR VIS MÉLANGEUR

ITEM	QT	PART/PIECE	ENGLISH DESCRIPTION	DESCRIPTION FRANCAISE	NOTE
10	1	095-VIS-AI	MAGNET HOLDER	SUPPORT A AIMENT	
11	1	250337	PERMANENT MAGNET NEODYMIUM	AIMENT PERMANENT EN NEODYME	
12	4	502006	FLAT WASHER 1/2 Z-SAE	RONDELLE PLATE 1/2 Z-SAE	
13	4	502048	LOCK WASHER 1/2	RONDELLE DE BLOCAGE 1/2	
14	2	502049	LOCK WASHER 5/8	RONDELLE DE BLOCAGE 5/8	
15	4	506008-1	HEX. BOLT M12 X 1.75 X 25mm CL8.8	BOULON HEX. M12 X 1.75 X 25mm CL8.8	
16	2	506012	HEX. BOLT M16 X 2 X 40mm CL8.8	BOULON HEX. M16 X 2 X 40mm CL8.8	

07 - SIDE SLIDE / CHUTE DE CÔTÉ



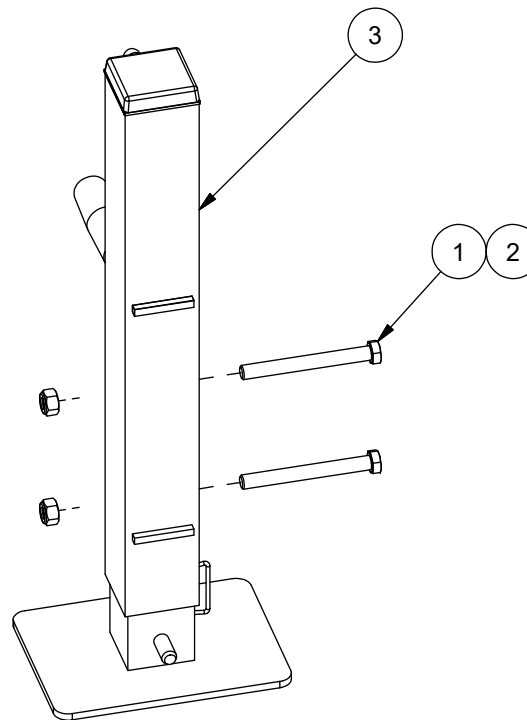
07 - SIDE SLIDE / CHUTE DE CÔTÉ



ANDERSON

ITEM	QT	PART/PIECE	ENGLISH DESCRIPTION	DESCRIPTION FRANCAISE	NOTE
1	1	097-TRP-100	LEFT WALL OF THE SLIDE	CÔTÉ GAUCHE DE LA CHUTE	
2	1	097-TRP-101	RIGHT WALL OF THE SLIDE	CÔTÉ DROIT DE LA CHUTE	
3	1	097-TRP-102	BOTTOM OF THE SLIDE	BAS DE LA CHUTE	
4	1	097-TRP-103	TOP OF THE SLIDE	DESSUS DE LA CHUTE	
5	8	502004	FLAT WASHER 3/8 Z	RONDELLE PLATE 3/8 Z	
6	4	502014	FLAT WASHER 5/16 Z	RONDELLE PLATE 5/16 Z	
7	8	506001	HEX. BOLT M8 X 1.25 X 25mm CL8.8	BOULON HEX. M8 X 1.25 X 25mm CL8.8	
8	8	506051	NYLON NUT M8 X 1.25	ECROU NYLON M8 X 1.25	

08 - MANUAL JACK / BÉQUILLE MANUELLE



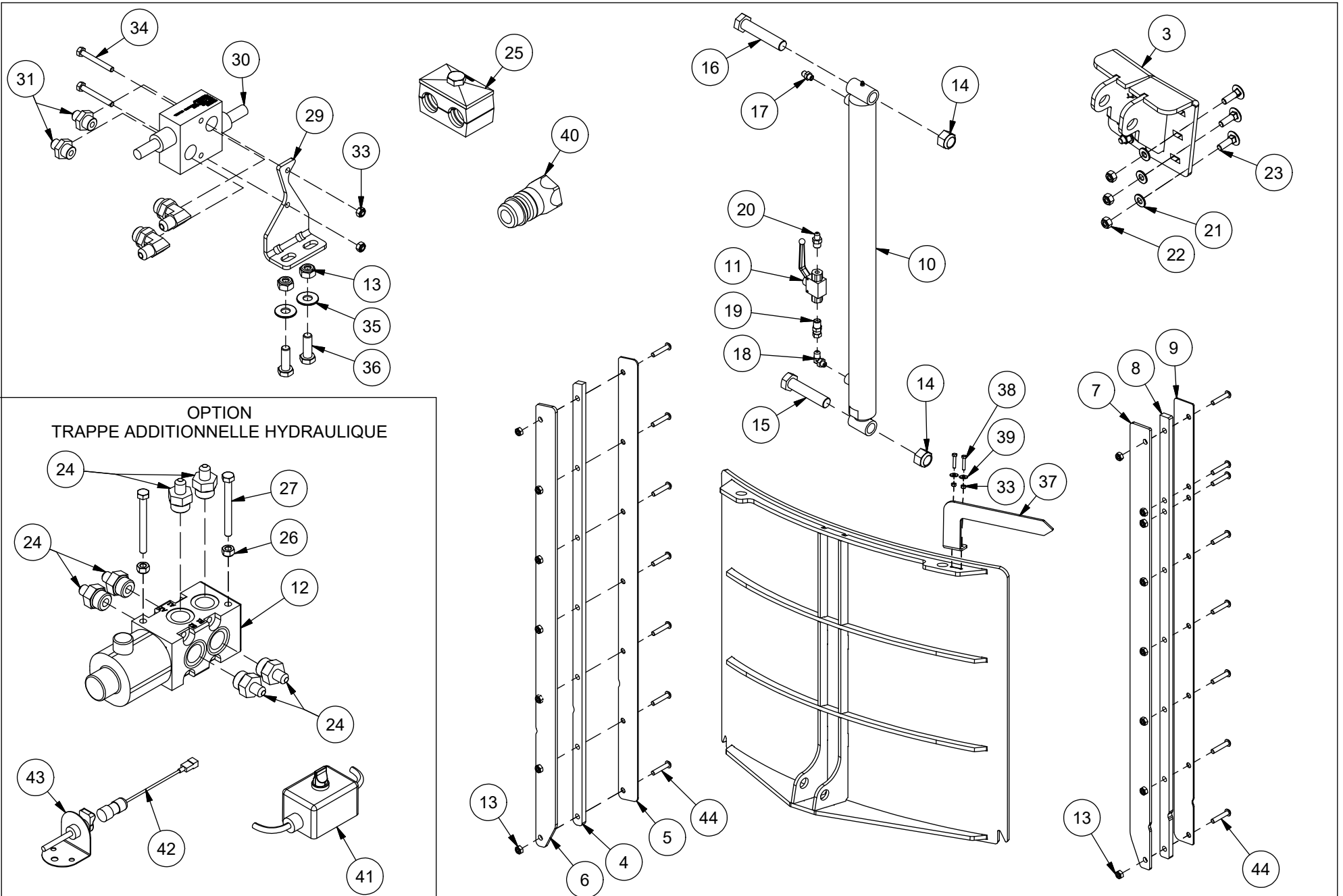
08 - MANUAL JACK / BÉQUILLE MANUELLE



ANDERSON

ITEM	QT	PART/PIECE	ENGLISH DESCRIPTION	DESCRIPTION FRANCAISE	NOTE
1	2	506146	HEX. BOLT M12 X 1.75 X 110mm CL8.8	BOULON HEX. M12 X 1.75 X 110mm CL8.8	
2	2	506040	NYLON NUT M12 X 1.75	ECROU NYLON M12 X 1.75	
3	1	233460	JACK	BÉQUILLE	

09 - HATCH / TRAPPE

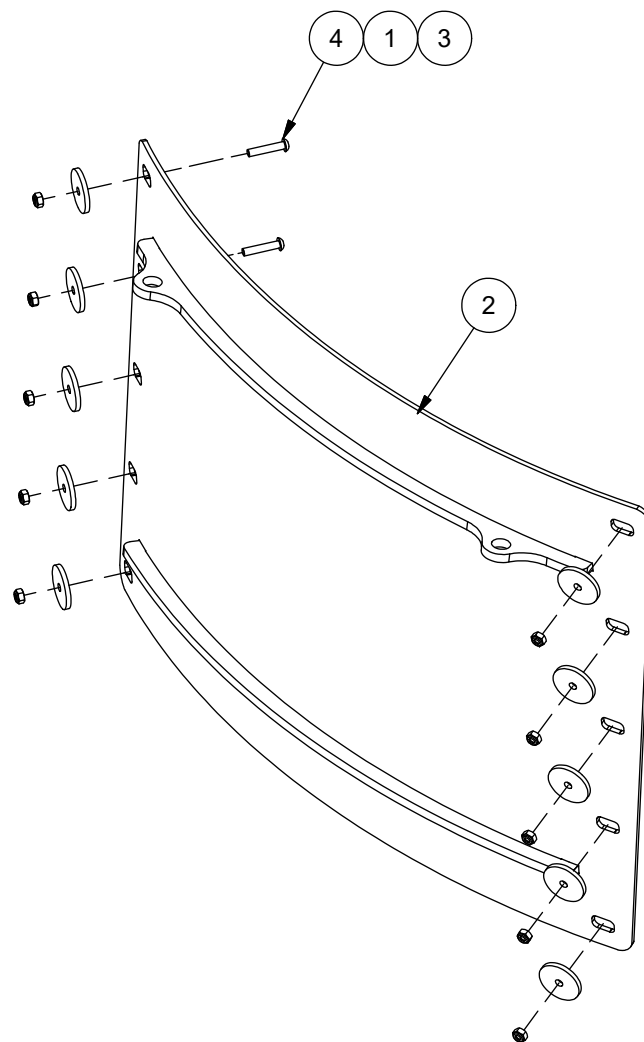


09 - HATCH / TRAPPE



ITEM	QT	PART/PIECE	ENGLISH DESCRIPTION	DESCRIPTION FRANCAISE	NOTE
2	1	097-TRP-AE	HATCH	TRAPPE	
3	1	097-TRP-AG	CYLINDRE ATTACHMENT	ATTACHE DE CYLINDRE	
4	1	090-TRP-008	HATCH GUIDE	GUIDE DE TRAPPE	
5	1	090-TRP-052	HATCH GUIDE	GUIDE DE TRAPPE	
6	1	090-TRP-009	HATCH GUIDE	GUIDE DE TRAPPE	
7	1	090-TRP-030	HATCH GUIDE	GUIDE DE TRAPPE	
8	1	090-TRP-010	HATCH GUIDE	GUIDE DE TRAPPE	
9	1	090-TRP-053	HATCH GUIDE	GUIDE DE TRAPPE	
10	1	467355	CYLINDER HBU 2030-S	CYLINDRE HBU 2030-S	SEAL KIT #467833
11	1	466998	HYDRAULIC VALVE	VALVE HYDRAULIQUE	
12	1	465930	HYDRAULIC VALVE	VALVE HYDRAULIQUE	
13	17	506039	NYLON NUT M10 X 1.5	ECROU NYLON M10 X 1.5	
14	2	501037	HEX NYLON LOCKNUT GR5 1-8 Z	ÉCROU NYLON IND HEX GR5 1-8 Z	
15	1	500332	HEX BOLT GR5 1-8 X 4 1/2 Z	BOULON HEX GR5 1-8 X 4 1/2 Z	
16	1	500333	HEX BOLT GR5 1-8 X 5 Z	BOULON HEX GR5 1-8 X 5 Z	
17	1	451171	6 M.JIC- 6M.ORB	6 M.JIC- 6M.ORB	
18	1	451260	6 M.JIC - 6 M.ORB 90°	6 M.JIC - 6 M.ORB 90°	
19	1	450994	6 F.JIC - 6 M.NPT	6 F.JIC - 6 M.NPT	
20	1	450542	6 M.JIC - 6 M.NPT	6 M.JIC - 6 M.NPT	
21	6	502006	FLAT WASHER 1/2 Z-SAE	RONDELLE PLATE 1/2 Z-SAE	
22	6	506040	NYLON NUT M12 X 1.75	ECROU NYLON M12 X 1.75	
23	6	507135	CARRIAGE BOLT M12 X 1.75 X 40 CL8.8	BOULON CAROSSERIE M12 X 1.75 X 40 CL8.8	
24	6	451173	6 M.JIC - 10 M.ORB	6 M.JIC - 10 M.ORB	
25	11	320009-3	PIPE CLAMP	SUPPORT BOYAU	
26	2	506051	NYLON NUT M8 X 1.25	ECROU NYLON M8 X 1.25	
27	2	506122	HEX. BOLT M8 X 1.25 X 80mm CL8.8	BOULON HEX. M8 X 1.25 X 80mm CL8.8	
28	1	404163	BE CAREFUL PUT SAFETY KICKSTAND STICKER	DECALQUE ATTENTION METTRE BEQUILLE	
29	1	090-HYD-002	RELIEF VALVE SUPPORT	SUPPORT DE LIMITEUR DE PRESSION	
30	1	466004	CUSHION VALVE	LIMTEUR DE PRESSION	
31	2	451172	6 M JIC - 8 M ORB	6 M JIC - 8 M ORB	
32	2	451261	6 M.JIC - 8 M.ORB	6 M.JIC - 8 M.ORB	
33	4	506050	HEX NUT M6 X 1	ECROU NYLON M6 X 1	
34	2	506085	HEX. BOLT M6 X 1 X 50mm CL8.8	BOULON HEX. M6 X 1 X 50mm CL8.8	
35	2	502004	FLAT WASHER 3/8 Z	RONDELLE PLATE 3/8 Z	
36	2	506009-2	HEX. BOLT M10 X 1.5 X 30mm CL8.8	BOULON HEX. M10 X 1.5 X 30mm CL8.8	
37	1	090-GRD-051	HATCH OPENNING INDICATOR	INDICATEUR D'OUVERTURE DE TRAPPE	
38	2	506109	HEX. BOLT M6 X 1 X 20mm CL8.8	BOULON HEX. M6 X 1 X 20mm CL8.8	
39	2	502002	FLAT WASHER 1/4 Z	RONDELLE PLATE 1/4 Z	
40	2	452000	1/2 QUICK COUPLER NPTM	RACCORD RAPIDE 1/2 NPTM	
41	1	315277	SINGLE SWITCH	INTERRUPTEUR SIMPLE	
42	1	315273	POWER EXTENSION CABLE	FIL RALLONGE D'ALIMENTATION	
43	1	240142	POWER SUPPLY 25 amp	PRISE DE COURANT 25 amp	
44	15	507150	BOTTOM SOCKET HEAD M10-1.5 X 50 FT CL12.9	VIS A TETE RONDE 6 PANS M10-1.5 X 50 FT CL12.9	

10 - REAR COVER / BOUCHON



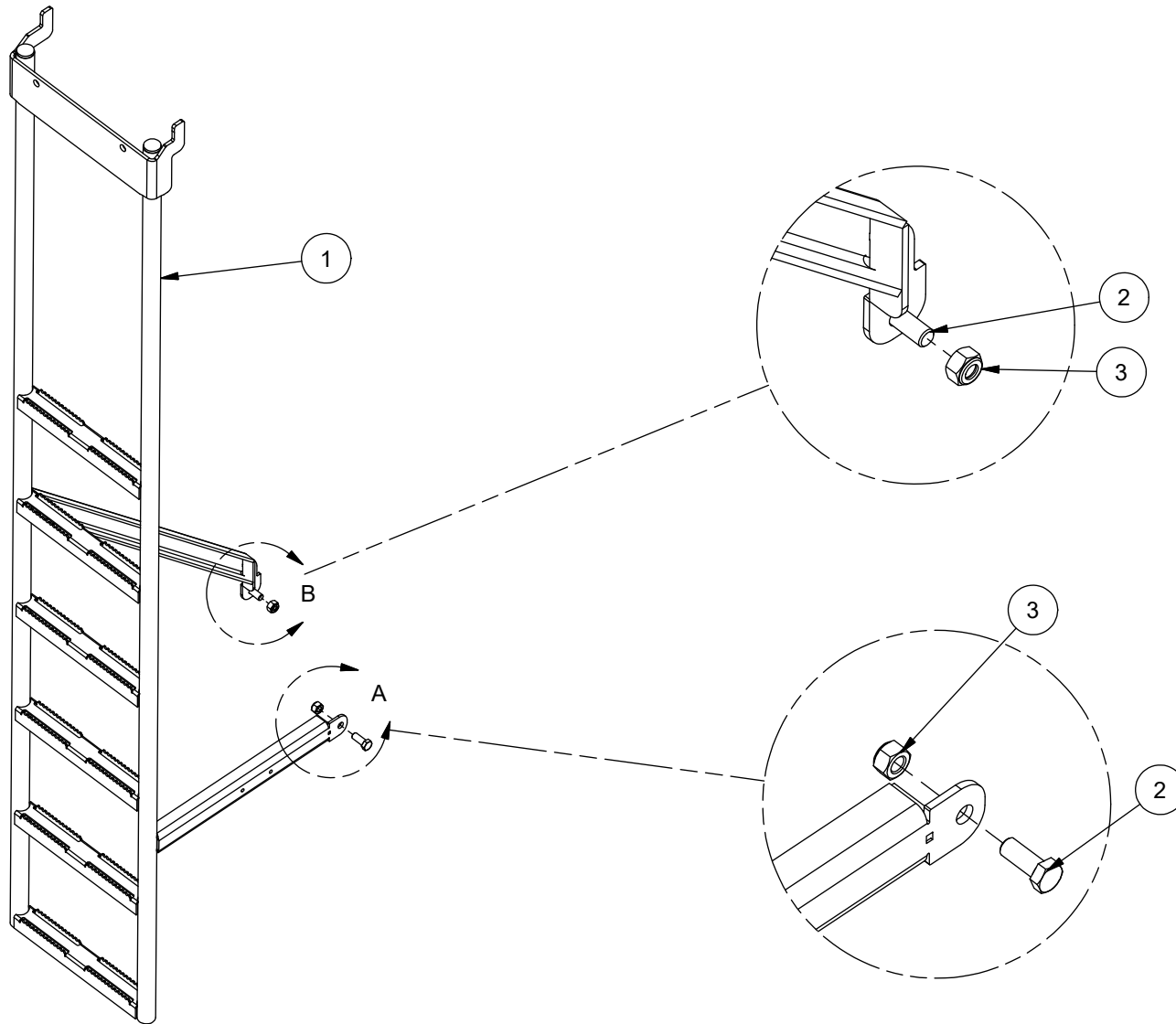
10 - REAR COVER / BOUCHON



ANDERSON

ITEM	QT	PART/PIECE	ENGLISH DESCRIPTION	DESCRIPTION FRANCAISE	NOTE
1	10	090-TRP-208	WASHER	RONDELLE	
2	1	097-TRP-AI	REAR COVER	BOUCHON	
3	10	506039	NYLON NUT M10 X 1.5	ECROU NYLON M10 X 1.5	
4	5	507150	BOTTOM SOCKET HEAD M10-1.5 X 50 FT CL12.9	VIS A TETE RONDE 6 PANS M10-1.5 X 50 FT CL12.9	

11 - LADDER / ÉCHELLE



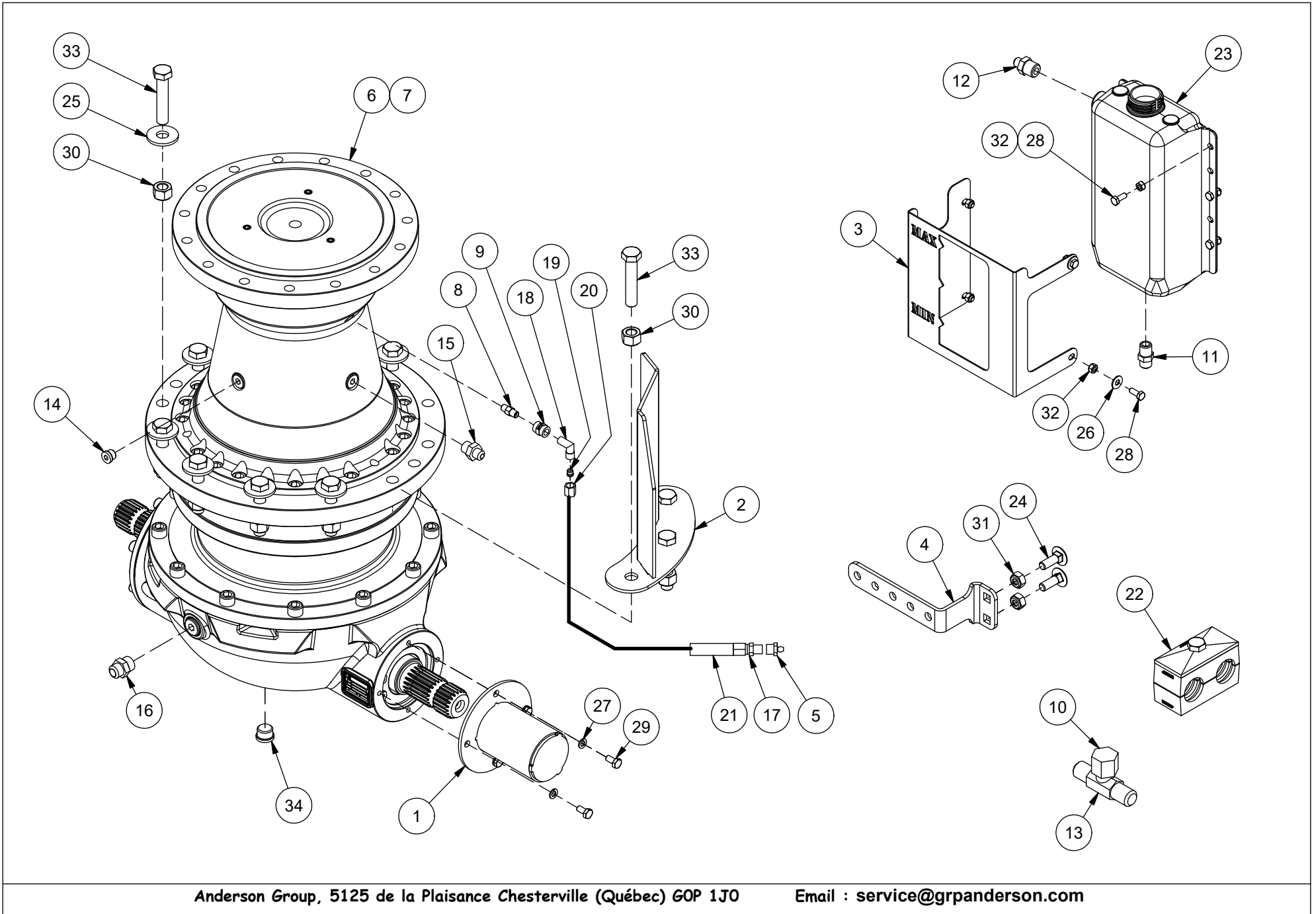
11 - LADDER / ÉCHELLE



ANDERSON

ITEM	QT	PART/PIECE	ENGLISH DESCRIPTION	DESCRIPTION FRANCAISE	NOTE
1	1	097-ECH-AB	LADDER	ÉCHELLE	
2	2	506008-2	HEX. BOLT M12 X 1.75 X 30mm CL8.8	BOULON HEX. M12 X 1.75 X 30mm CL8.8	
3	2	506040	NYLON NUT M12 X 1.75	ECROU NYLON M12 X 1.75	

12A - REAR TRANSMISSION / TRANSMISSION ARRIÈRE

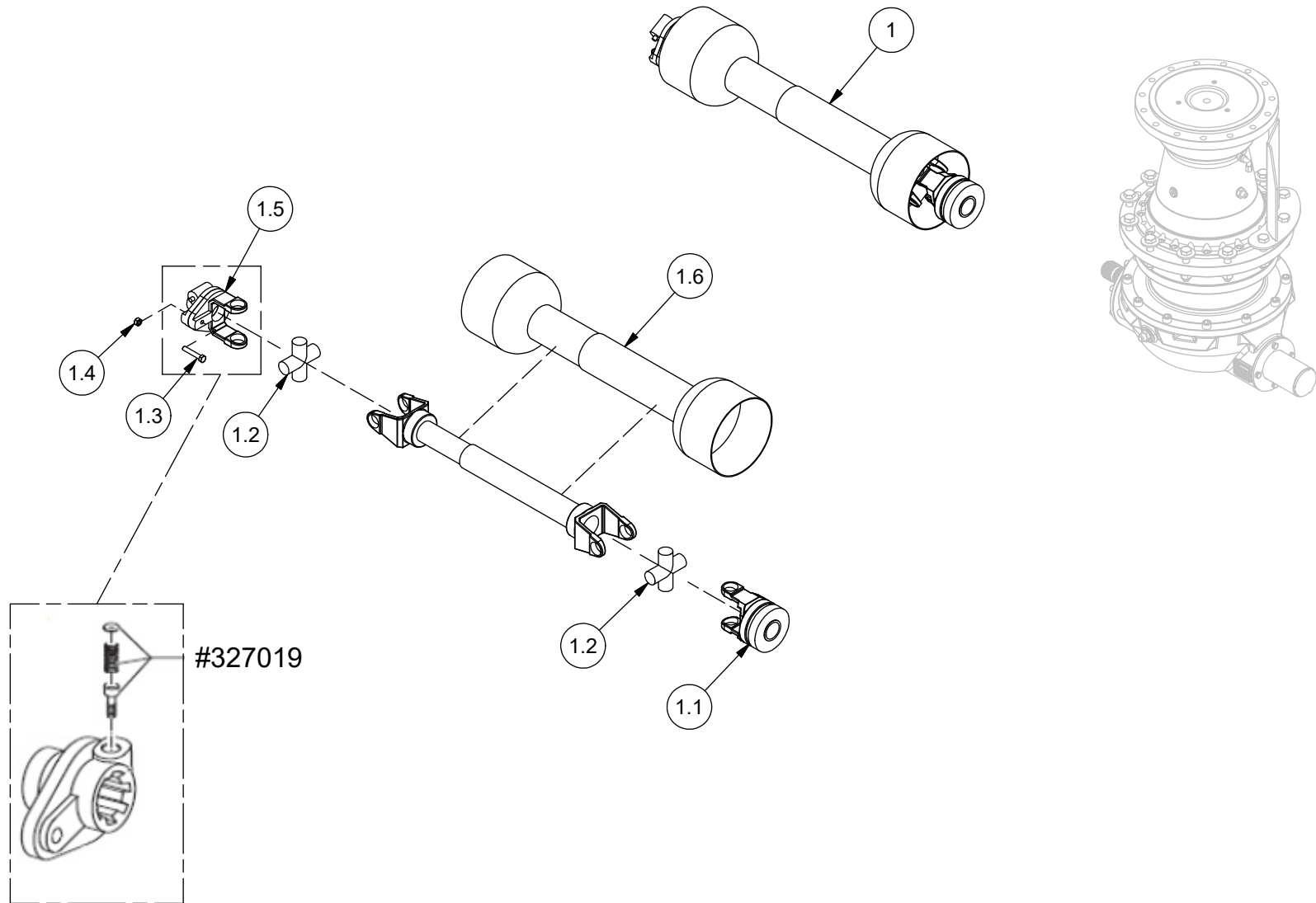


12A - REAR TRANSMISSION / TRANSMISSION ARRIÈRE



ITEM	QT	PART/PIECE	ENGLISH DESCRIPTION	DESCRIPTION FRANCAISE	NOTE
1	1	090-GRD-AQ	TRANSMISSION GUARD	GARDE DE TRANSMISSION	
2	1	090-TRA-BU	TRANSMISSION HOSE GUARD	PROTECTEUR DE TUYAUX TRANSMISSION	
3	1	092-TRA-001	OIL INDICATOR	INDICATEUR DE NIVEAU D'HUILE	
4	1	093-FRM-012	SHEAR BOLT SUPPORT	SUPPORT À BOULON DE CISAILLEMENT	
5	1	322295	GREASE FITTING	GRAISSEUR	
6	1	325286	GEARBOX PGA2002VM-13.4:1	BOITE ENGRENAGE PGA2002VM-13.4:1	SEAL #467715
7	1	404500	SYNTHETIC OIL CASTROL ISO 220	HUILE CASTROL ISO 220 SYNTHÉTIQUE	SEE OWNER MANUAL FOR QUANTITY / VOIR MANUEL OPÉRATEUR POUR QUANTITÉ
8	1	450000	2 MNPT - 2 MNPT	2 MNPT - 2 MNPT	
9	1	450100	2 FNPT - 2 FNPT	2 FNPT - 2 FNPT	
10	1	450504	HYDRAULIC CAP 5129-06	BOUCHON HYDRAULIQUE 5129-06	
11	1	450548	8 M JIC - 8 M NPT	8 M JIC - 8 M NPT	
12	1	450549	8 M.JIC - 12 M.NPT	8 M.JIC - 12 M.NPT	
13	1	450862	HYDRAULIC FITTING	ADAPTEUR HYDRAULIQUE	
14	1	451354	PLUG 6 M. ORB	PLUG 6 M. ORB	
15	1	451359	82505-6-6 ADAP. MALE JIC/MALE BSPP	82505-6-6 ADAP. MALE JIC/MALE BSPP	
16	1	451373	82505-6-6 ADAP. MALE JIC/MALE BSPP	82505-6-6 ADAP. MALE JIC/MALE BSPP	
17	1	451445	GREASE FITTING	ADAPTEUR DE GRAISSAGE	
18	1	452617	TN94-06LNPT ELBOW 90-TUBE/MALE NPTF	TN94-06LNPT COUDE 90-TUBE/MALE NPTF	
19	1	452618	TN88-6LS SLEEVE FOR FLARELESS TUBE END	TN88-6LS BAGUE SANS EVASEMENT	
20	1	452619	TN81-6L TUBE NUT	TN81-6L ECROU DE SERRAGE	
21	1	250339	LUBRIFICATION HOSE (13' LONG)	BOYAU DE GRAISSAGE (13, LONG)	
22	5	470051	DOUBLE HOSE HOLDER 21.3mm (0.84")	SUPPORT BOYAU DOUBLE 21.3mm (0.84")	
23	1	470073	TANK 5 QUART	RESERVOIR 5 QUART	
24	2	500705	CARRIAGE BOLT M10 X 1.50 X 30 CL4.6	BOULON CARROSSERIE M10 X 1.50 X 30 CL4.6	
25	9	502008	FLAT WASHER 5/8 Z	RONDELLE PLATE 5/8 Z	
26	4	502014	FLAT WASHER 5/16 Z	RONDELLE PLATE 5/16 Z	
27	4	502046	LOCK WASHER 5/16 Z	RONDELLE DE BLOCAGE 5/16 Z	
28	10	506000	HEX. BOLT M8 X 1.25 X 20mm CL8.8	BOULON HEX. M8 X 1.25 X 20mm CL8.8	
29	4	506004-1	HEX. BOLT M8 X 1.25 X 16mm CL8.8	BOULON HEX. M8 X 1.25 X 16mm CL8.8	
30	12	506037	NYLON NUT M16 X 2	ECROU NYLON M16 X 2	
31	7	506039	NYLON NUT M10 X 1.5	ECROU NYLON M10 X 1.5	
32	10	506051	NYLON NUT M8 X 1.25	ECROU NYLON M8 X 1.25	
33	12	506180	HEX. BOLT M16 X 2 X 80mm CL10.9	BOULON HEX. M16 X 2 X 80mm CL10.9	
34	1	470145	PLUG 1/2 GAZ MAGNETIC W/COPPER WASHER	BOUCHON 1/2 GAZ MAGNET + RONDELLE CUIVRE	RONDELLE CUIVRE / COPPER WASHER #470147

12B - REAR TRANSMISSION PTO / TRANSMISSION ARRIÈRE (PTO)



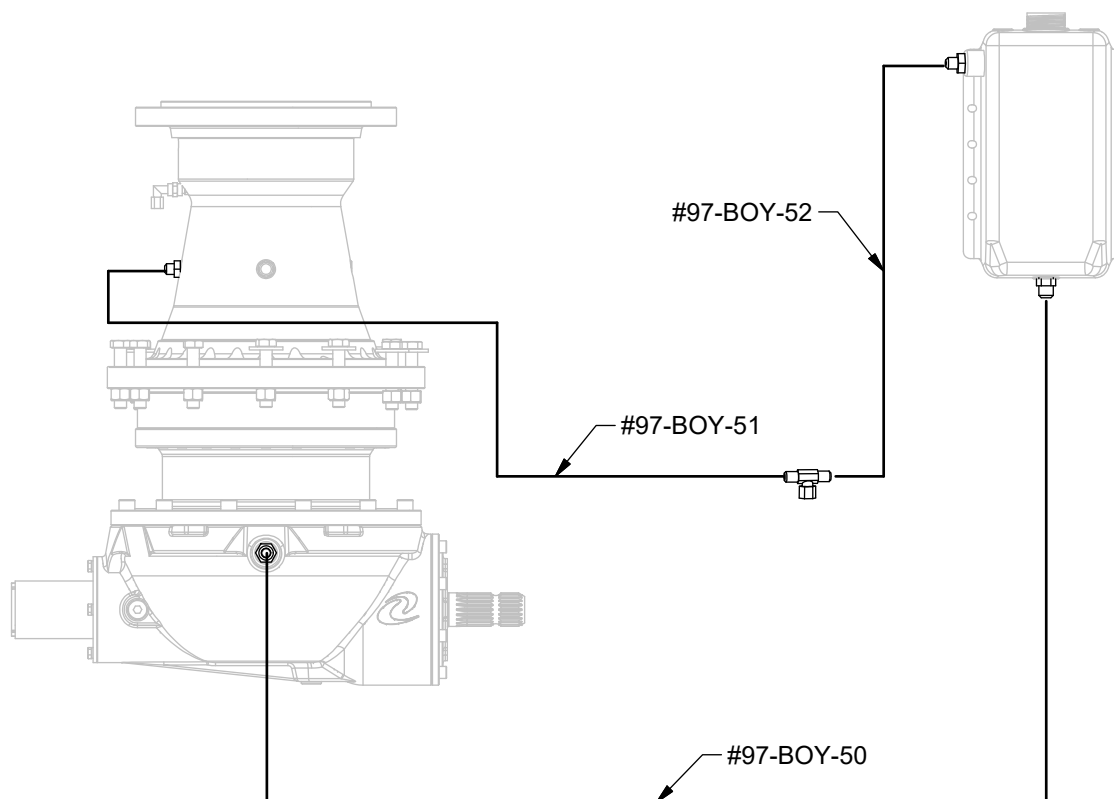
12B - REAR TRANSMISSION PTO / TRANSMISSION ARRIÈRE (PTO)



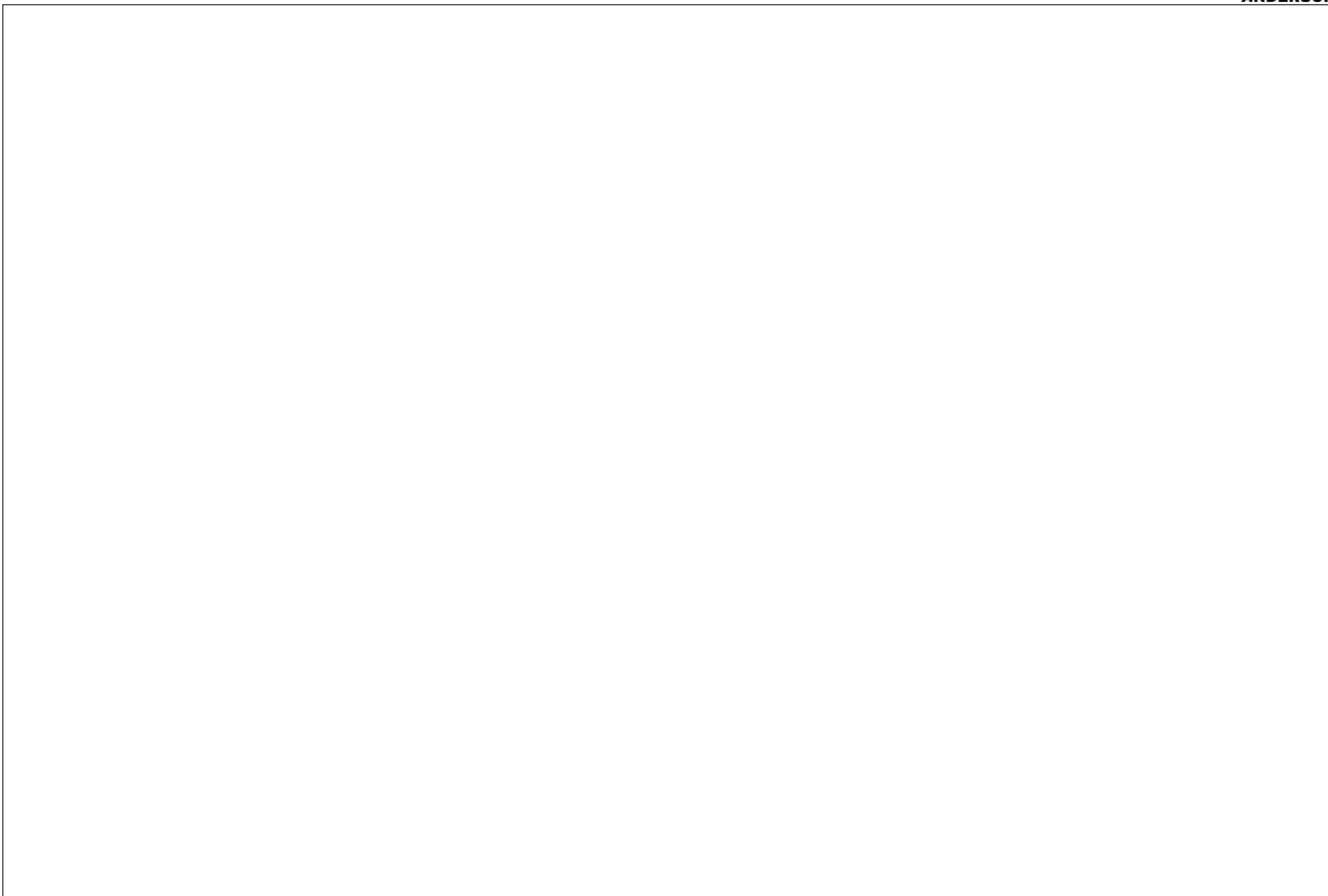
ANDERSON

ITEM	QT	PART/PIECE	ENGLISH DESCRIPTION	DESCRIPTION FRANCAISE	NOTE
1	1	325243	T80-061P028428-280029	T80-061P028428-280029	
1.1	1	327060	YOKE SC 1 3/4 Z20	MACHOIRE SC 1 3/4 Z20	
1.2	2	325323	CROSS	CROISILLON	
1.3	1	506065	HEX. BOLT M10 X 1.5 X 60 mm CL8.8	BOULON HEX. M10 X 1.5 X 60 mm CL8.8	SHEAR BOLT / BOULON DE CISAILLEMENT
1.4	1	506039	NYLON NUT M10 X 1.5	ECROU NYLON M10 X 1.5	
1.5	1	327063	YOKE SB 1 3/4 Z20	MACHOIRE SB 1 3/4 Z20	
1.6	1	327078	PTO GUARD T80-061P028428-280029	GARDE PTO T80-061P028428-280029	

12C - TRANSMISSION DIAGRAM / DIAGRAMME DE TRANSMISSION



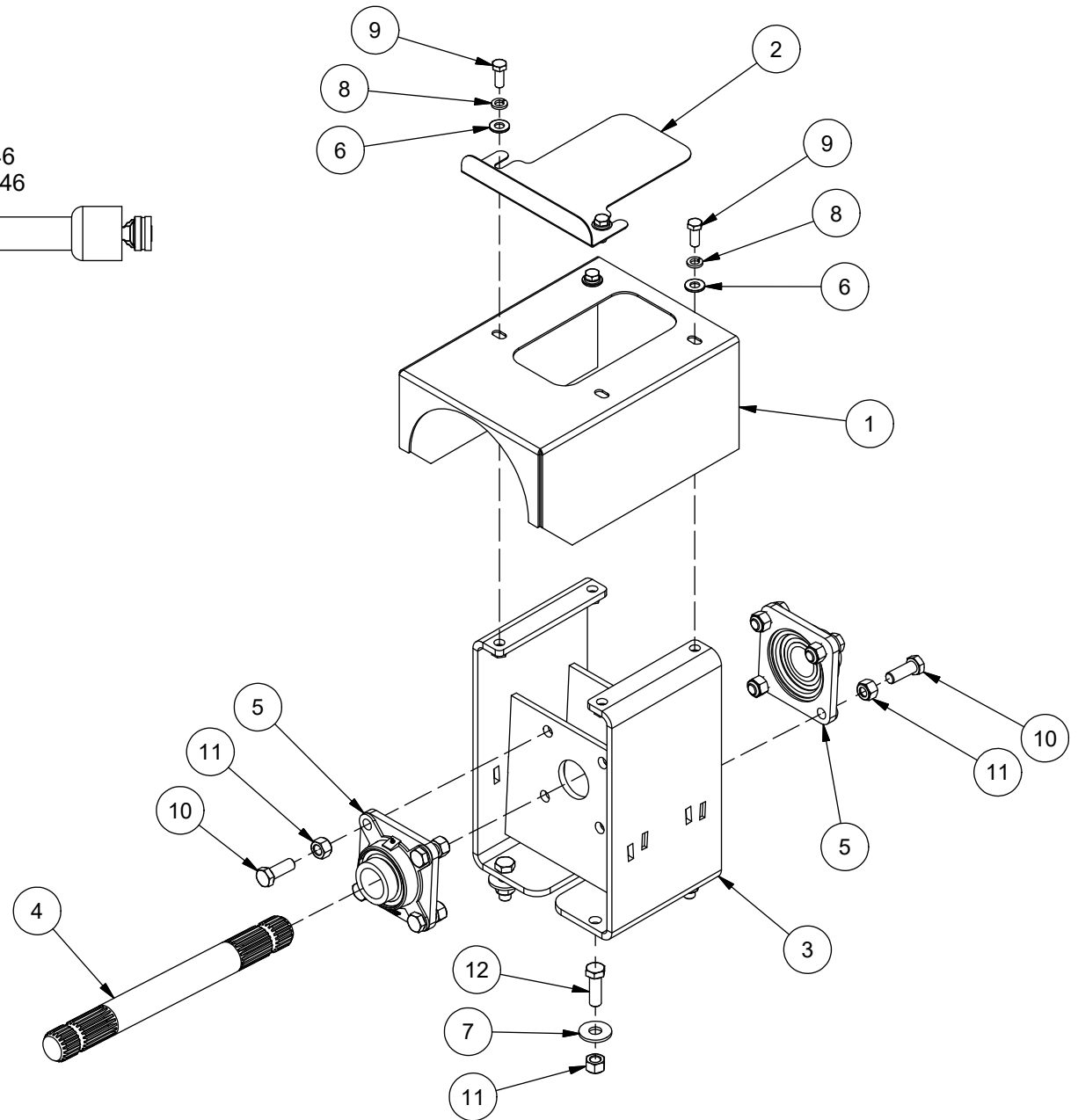
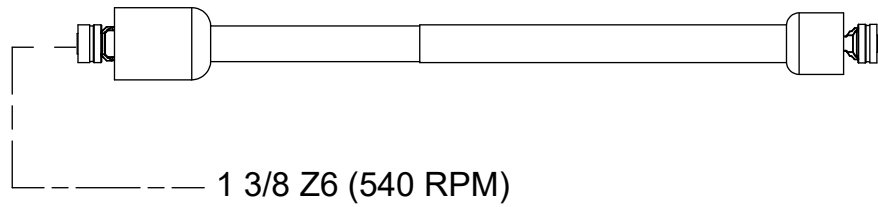
12C - TRANSMISSION DIAGRAM / DIAGRAMME DE TRANSMISSION



13A-FRONT TRANSMISSION /TRANSMISSION AVANT / 1HD134Z6



SEE PAGE 13K PTO 325246
VOIR PAGE 13K PTO 325246

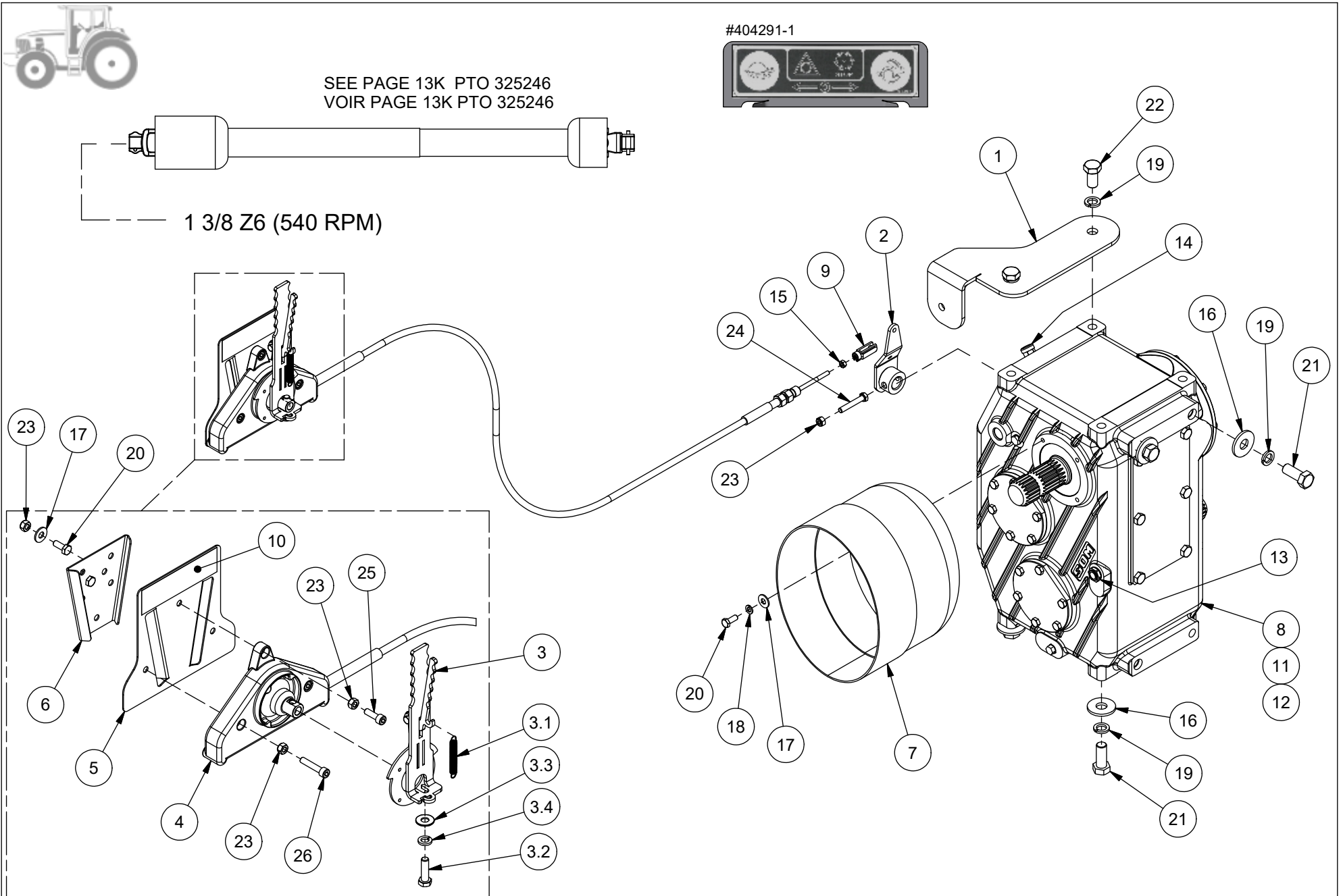


13A-FRONT TRANSMISSION /TRANSMISSION AVANT / 1HD134Z6



ITEM	QT	PART/PIECE	ENGLISH DESCRIPTION	DESCRIPTION FRANCAISE	NOTE
1	1	093-GRD-004	COVER PLATE	COUVERT	
2	1	093-TRA-004	LID	COUVERCLE	
3	1	097-FRM-AE	DIRECT DRIVE FRAME	CHÂSSIS DE L'ENTRAÎNEMENT DIRECT	
4	1	250010	GROOVE SHAFT 20 - 10/24 - 30°	ARBRES À CANNELURES 20 - 10/24 - 30°	
5	2	303161	FLANGE MOUNTED BALL BEARING - SHAFT 1 3/4	ROULEMENT A PALIER - SHAFT 1 3/4	
6	4	502006	FLAT WASHER 1/2 Z-SAE	RONDELLE PLATE 1/2 Z-SAE	
7	4	502008	FLAT WASHER 5/8 Z	RONDELLE PLATE 5/8 Z	
8	4	502048	LOCK WASHER 1/2	RONDELLE DE BLOCAGE 1/2	
9	4	506008-2	HEX. BOLT M12 X 1.75 X 30mm CL8.8	BOULON HEX. M12 X 1.75 X 30mm CL8.8	
10	8	506020	HEX. BOLT M16 X 2 X 45mm CL8.8	BOULON HEX. M16 X 2 X 45mm CL8.8	
11	12	506037	NYLON NUT M16 X 2	ECROU NYLON M16 X 2	
12	4	506076	HEX. BOLT M16 X 2 X 50mm CL8.8	BOULON HEX. M16 X 2 X 50mm CL8.8	

13B - FRONT TRANSMISSION / TRANSMISSION AVANT / 540Z6WG1151P134



13B - FRONT TRANSMISSION / TRANSMISSION AVANT / 540Z6WG1151P134

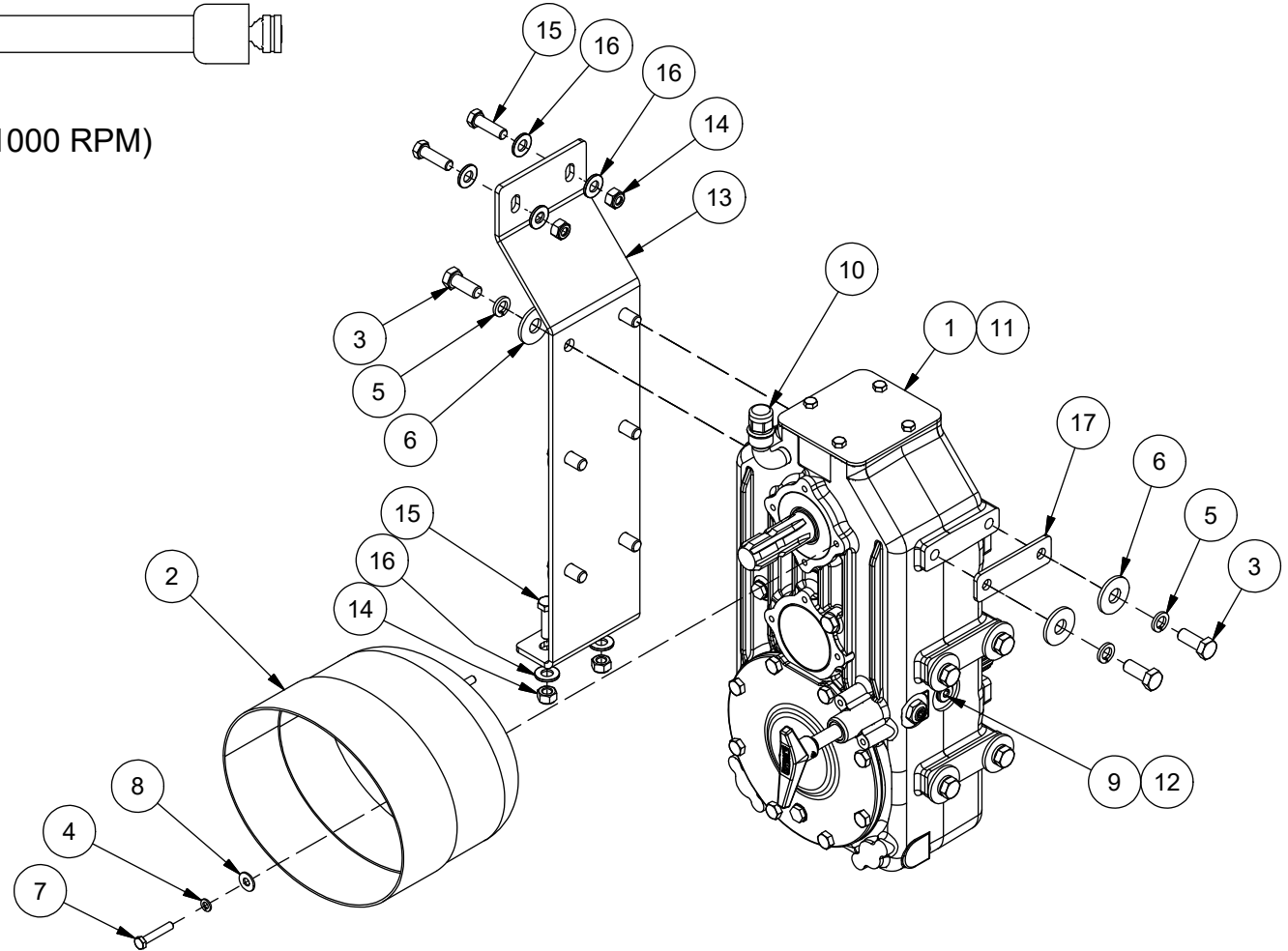
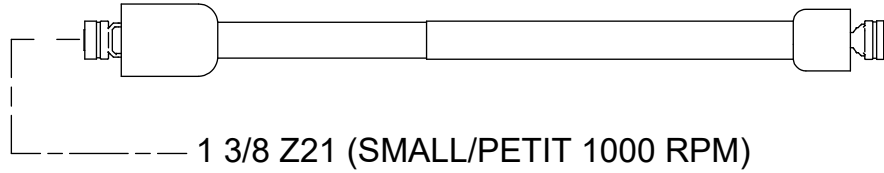


ITEM	QT	PART/PIECE	ENGLISH DESCRIPTION	DESCRIPTION FRANCAISE	NOTE
1	1	090-FRM-345	GUIDE	GUIDE	
2	1	090-FRM-BI	TRANSMISSION HANDLE	POIGNÉE DE TRANSMISSION	
3	1	090-TRA-BN	HANDLE	POIGNÉE	
3.1	1	304083	SPRING	RESSORT	
3.3	1	502004	FLAT WASHER 3/8 Z	RONDELLE PLATE 3/8 Z	
3.4	1	502047	LOCK WASHER 7/16	RONDELLE DE BLOCAGE 7/16	
3.2	1	506009-3	HEX. BOLT M10 X 1.5 X 35mm CL8.8	BOULON HEX. M10 X 1.5 X 35mm CL8.8	
4	1	250032	CAB.TELEF.3.5M+POIGN.RENF	CAB.TELEF.3.5M+POIGN.RENF	
5	1	250061	HANDLE SUPPORT	SUPPORT DE POIGNÉE	
6	2	250062	HANDLE SUPPORT	SUPPORT DE POIGNÉE	
7	1	325088	PROTECTION CONE	CÔNE DE PROTECTION PTO	
8	1	325275	GEARBOX C3A-R 1:1,1.5:1 ESHIFT	BOITE ENGRENAGE C3A-R 1:1,1.5:1 ESHIFT	
9	1	325309	CLEVIS ROD END M6-1.0 X 36mm	EMBOUT EN "U" (CLEVIS) M6 x 36MM	
10	1	404291-1	DECALQUE SELECT, VITESSE BOITIER INV	DECALQUE SELECT, VITESSE BOITIER INV	
11	1	404500	CASTROL OIL ISO 220 SYNTHETIC	HUILE CASTROL ISO 220 SYNTHÉTIQUE	SEE OWNER MANUEL FOR QUANTITY / VOIR MANUEL OPÉRATEUR POUR QUANTITÉ
12	0	467775	SEAL KIT C3A-R	JEU DE JOINT C3A-R	
13	0	470070	LEVEL PLUG	BOUCHON DE NIVEAU	
14	0	471010	BREATHER	RENIFLARD	
15	1	501116	HEX NUT M6 X 1 CL8 Z	ÉCROU HEX M6 X 1 CL8 Z	
16	6	502008	FLAT WASHER 5/8 Z	RONDELLE PLATE 5/8 Z	
17	8	502014	FLAT WASHER 5/16 Z	RONDELLE PLATE 5/16 Z	
18	4	502046	LOCK WASHER 5/16 Z	RONDELLE DE BLOCAGE 5/16 Z	
19	8	502049	LOCK WASHER 5/8	RONDELLE DE BLOCAGE 5/8	
20	8	506000	HEX. BOLT M8 X 1.25 X 20mm CL8.8	BOULON HEX. M8 X 1.25 X 20mm CL8.8	
21	6	506012	HEX. BOLT M16 X 2 X 40mm CL8.8	BOULON HEX. M16 X 2 X 40mm CL8.8	
22	2	506012-1	HBZ M16 - 2.00 X 30MM CL 8.8	HBZ M16 - 2.00 X 30MM CL 8.8	
23	8	506051	NYLON NUT M8 X 1.25	ECROU NYLON M8 X 1.25	
24	1	506087	HEX. BOLT M8 X 1.25 X 50mm CL8.8	BOULON HEX. M8 X 1.25 X 50mm CL8.8	
25	1	506140	SOCKET HEAD CAP SCREW M8-1.25 X 25MMCL8.8	VIS A TETE CYL. M8-1.25 X 25MMCL8.8	
26	2	506147	HEX SOCKET HEAD CAP SCREW M8 X 1.25 X 15 CL12.9	VIS TETE CYLINDRIQUE M8 X 1.25 X 15 CL12.9	

13C - FRONT TRANSMISSION / TRANSMISSION AVANT / GBD7321000VP7Z21



SEE PAGE 13G - PTO 325373
VOIR PAGE 13G - PTO 325373



13C - FRONT TRANSMISSION / TRANSMISSION AVANT / GBD7321000VP7Z21



ANDERSON

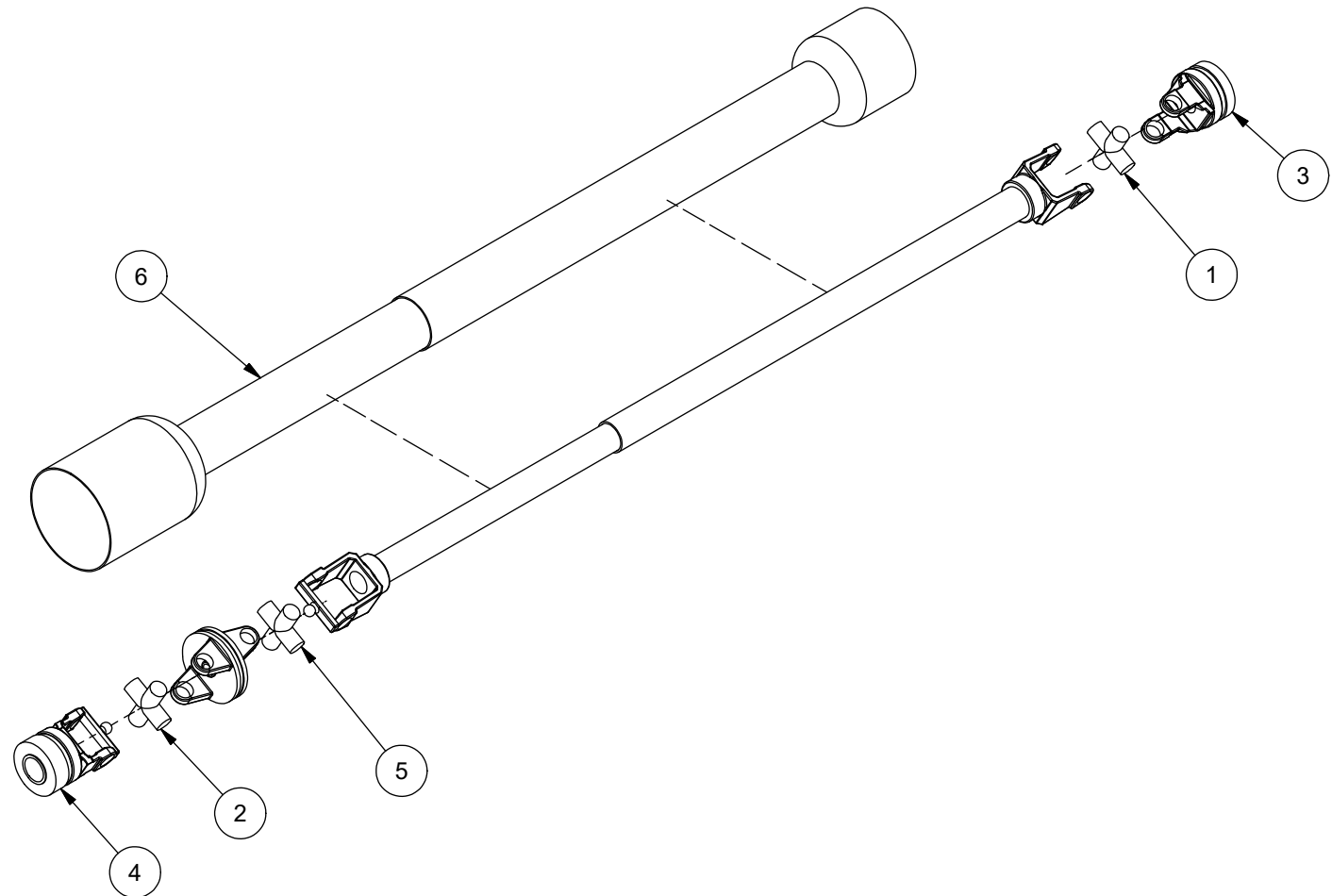
ITEM	QT	PART/PIECE	ENGLISH DESCRIPTION	DESCRIPTION FRANCAISE	NOTE
1	1	325364	GEARBOX D732 1.87:1 MSHIFT	BOITE ENGRENAGE D732 1.87:1 MSHIFT	
2	1	325088	PROTECTION CONE	CÔNE DE PROTECTION PTO	
3	12	506164	HBZ M14 - 2.00 X 35MM CL 8.8	HBZ M14 - 2.00 X 35MM CL 8.8	
4	4	502046	LOCK WASHER 5/16 Z	RONDELLE DE BLOCAGE 5/16 Z	
5	12	502052	LOCK WASHER 9/16	RONDELLE DE BLOCAGE 9/16	
6	12	502008	FLAT WASHER 5/8 Z	RONDELLE PLATE 5/8 Z	
7	4	506145	HEX. BOLT M8 X 1.25 X 45mm CL8.8	BOULON HEX. M8 X 1.25 X 45mm CL8.8	
8	4	502014	FLAT WASHER 5/16 Z	RONDELLE PLATE 5/16 Z	
9	1	470069	LEVEL PLUG	BOUCHON DE NIVEAU	
10	1	471010	BREATHER	RENIFLARD	
11	1	467774	SEAL KIT D732	JEU DE JOINT D732	
12	1	404500	CASTROL OIL ISO 220 SYNTHETIC	HUILE CASTROL ISO 220 SYNTHÉTIQUE	SEE OWNER MANUEL FOR QUANTITY / VOIR MANUEL OPÉRATEUR POUR QUANTITÉ
13	1	093-TRA-003	GEAR BOX SUPPORT	SUPPORT DE BOITE DE VITESSE	
14	4	506040	NYLON NUT M12 X 1.75	ECROU NYLON M12 X 1.75	
15	4	506129	HEX. BOLT M12 X 1.75 X 40mm CL8.8	BOULON HEX. M12 X 1.75 X 40mm CL8.8	
16	6	502006	FLAT WASHER 1/2 Z-SAE	RONDELLE PLATE 1/2 Z-SAE	
17	3	093-TRA-002	SPACER	ESPACEUR	

13G - 325373- PTO TRACTOR 1 3/8 Z21 / PTO TRACTEUR 1 3/8 Z21



ANDERSON

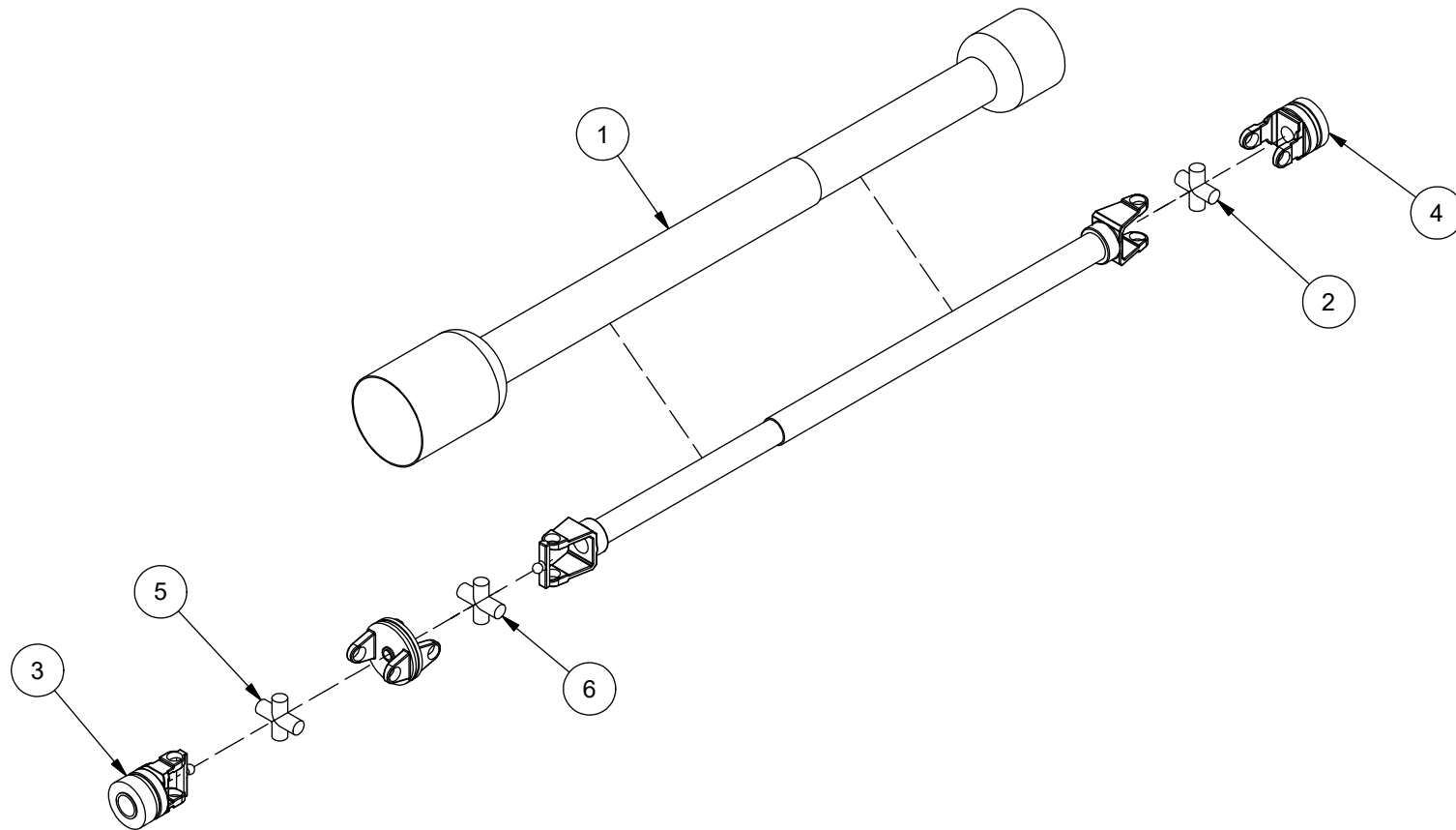
ITEM	QT	PART/PIECE	ENGLISH DESCRIPTION	DESCRIPTION FRANCAISE	NOTE
1	1	327065	CROSS	CROISILLON	
2	1	327072	CROSS	CROISILLON	
3	1	327070	YOKE SC 1 3/8 Z6	MACHOIRE SC 1 3/8 Z6	
4	1	327069	YOKE SC 1 3/8 Z21	MACHOIRE SC 1 3/8 Z21	
5	1	327073	CROSS	CROISILLON	
6	1	325280	PTO GUARD VP7-121P227025-227011	GARDE PTO VP7-121P227025-227011	



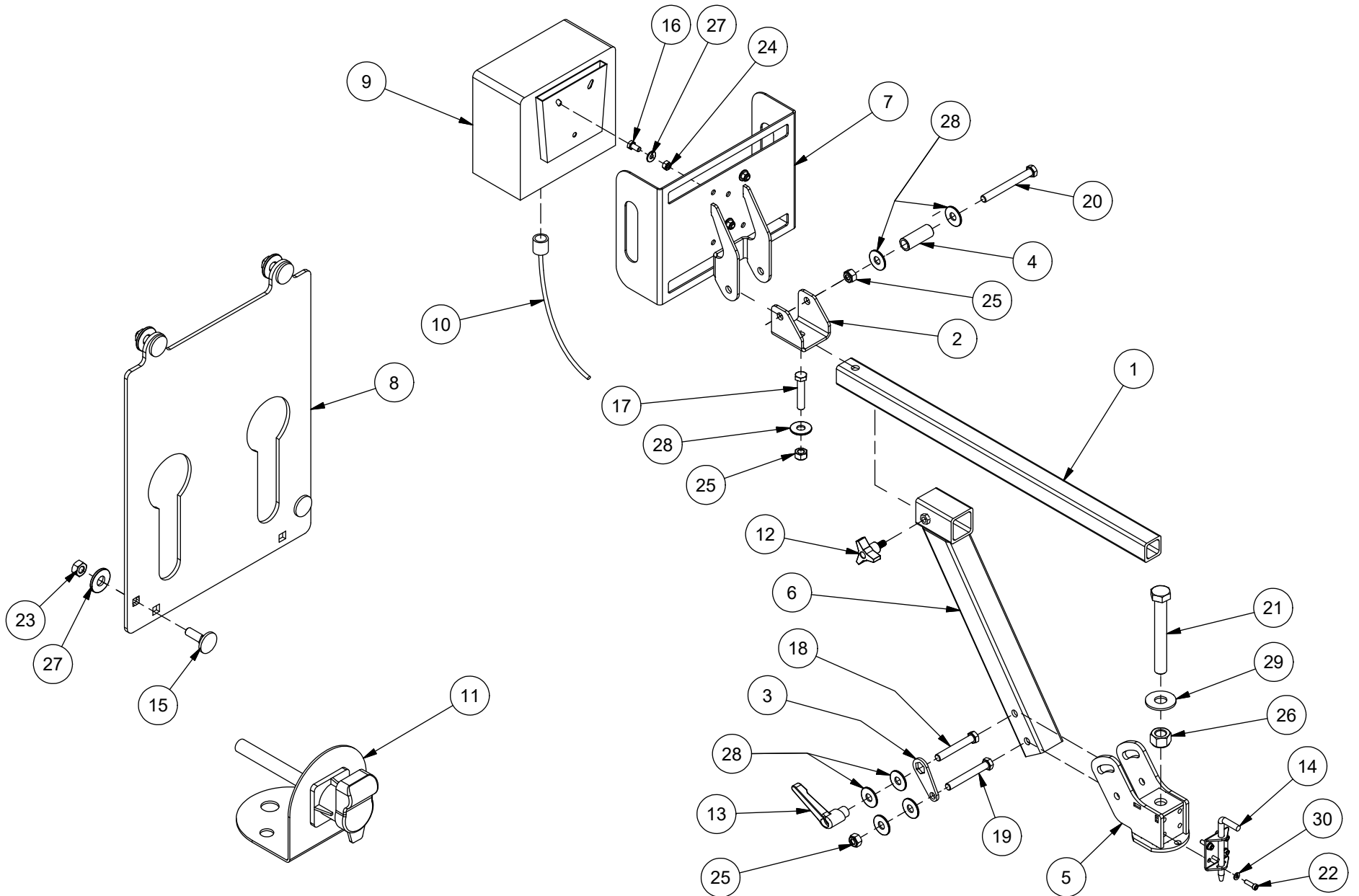
13K - 325246 - PTO TRACTOR 1 3/8 Z6 / PTO TRACTEUR 1 3/8 Z6



ITEM	QT	PART/PIECE	ENGLISH DESCRIPTION	DESCRIPTION FRANCAISE	NOTE
1	1	325281	PTO GUARD VP7-111P227025-227115	GARDE PTO VP7-111P227025-227115	
2	1	327065	CROSS	CROISILLON	
3	1	327069	YOKE SC 1 3/8 Z21	MACHOIRE SC 1 3/8 Z21	
4	1	327071	YOKE SC 3/4 Z20	MACHOIRE SC 1 3/4 Z20	
5	1	327072	CROSS	CROISILLON	
6	1	327073	CROSS	CROISILLON	



14A - SCALE CONTROL DG500 / CONTROLE DE PESÉ DG500



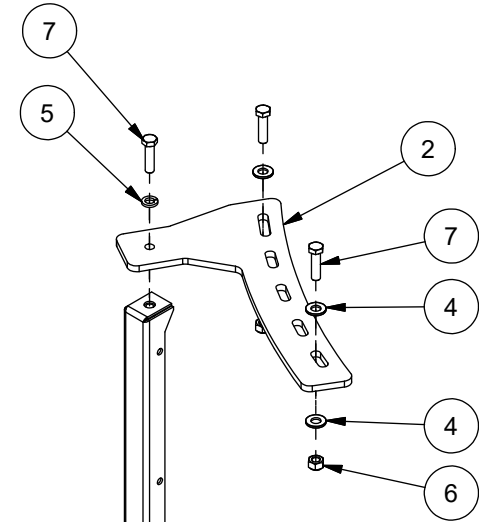
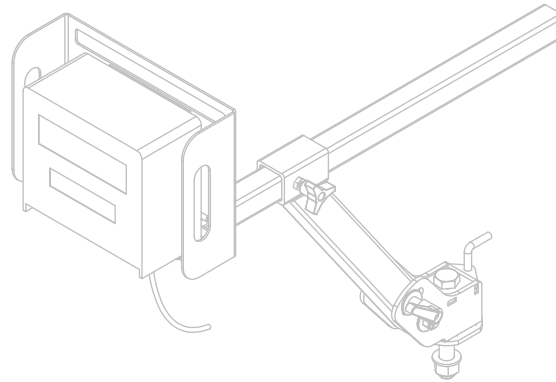
14A - SCALE CONTROL DG500 / CONTROLE DE PESÉ DG500



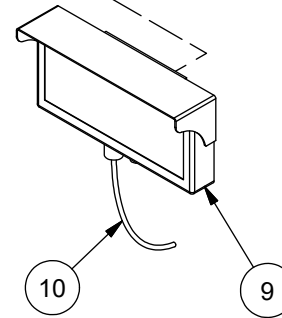
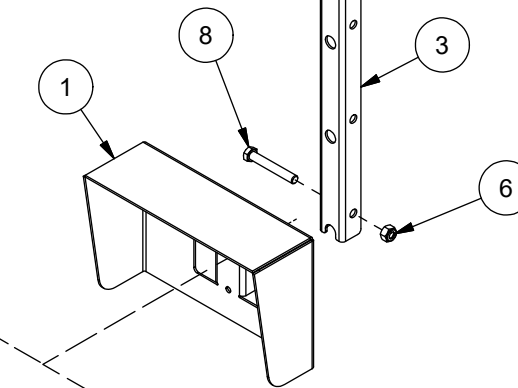
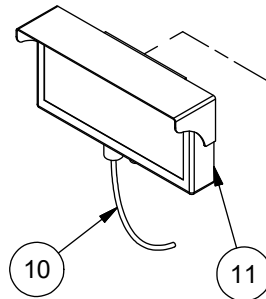
ITEM	QT	PART/PIECE	ENGLISH DESCRIPTION	DESCRIPTION FRANCAISE	NOTE
1	1	090-FRM-059	ADJUSTMENT TUBE	TUBE D'AJUSTEMENT	
2	1	090-FRM-060	COMPUTER SWIVEL SUPPORT	PIVOT SUPPORT ORDINATEUR	
3	1	090-FRM-357	COMPUTER LOCK BRACKET	BARRURE SUPPORT ORDINATEUR	
4	1	090-FRM-358	SPACER	ESPACEUR	
5	1	090-FRM-AH	SWIVEL BASE	BASE PIVOTANTE	
6	1	090-FRM-AI	EXTENSION ARM	BRAS D'EXTENSION	
7	1	090-FRM-AJ	CASE	BOITIER	
8	1	090-HYD-003	HOSE GUIDING PLATE	PLAQUE DE GUIDAGE POUR BOYAU	
9	1	239160	WEIGHT CONTROL DG500	CONTROLE PESEE DG500	
10	1	900704	POWER CABLE 10M 3 PIN COBO PLUG	CABLE D'ALIMENTATION 10M 3 PIN COBO	
11	1	240142	POWER SUPPLY 25 amp	PRISE DE COURANT 25 amp	
12	1	325133	KNOB WITH THREADED STUD	POIGNÉE AVEC TIGE FILETÉ	
13	1	325267	SECURITY AJUSTABLE KNOB - M12	POIGNÉ RÉGLABLE DE SÉCURITÉ- M12	
14	1	304082	SPRING LATCH BOLT	VERROU A RESSORT 3/8	
15	4	500706	CBZ M6 X 1.0 X 20 CL8.8	CBZ M6 X 1.0 X 20 CL8.8	
16	3	506004-1	HEX. BOLT M8 X 1.25 X 16mm CL8.8	BOULON HEX. M8 X 1.25 X 16mm CL8.8	
17	1	507136	HEX. BOLT M12 X 1.75 X 60mm CL8.8	BOULON HEX. M12 X 1.75 X 60mm CL8.8	
18	1	506121	HEX. BOLT M12 X 1.75 X 80mm CL8.8	BOULON HEX. M12 X 1.75 X 80mm CL8.8	
19	1	506073	HEX. BOLT M12 X 1.75 X 90mm CL8.8	BOULON HEX. M12 X 1.75 X 90mm CL8.8	
20	1	506146	HEX. BOLT M12 X 1.75 X 110mm CL8.8	BOULON HEX. M12 X 1.75 X 110mm CL8.8	
21	1	506107	HEX BOLT M20 X 2,5 - 150 CL8.8 Z	BOULON HEX M20 X 2,5 - 150 CL8.8 Z	
22	4	506110	HEX SOCKET HEAD CAP SCREW M6 X 1.00 X 20 MM	VIS HEX CREUX TÊTE CYLINDRIQUE M6 X 1.00 X 20 MM	
23	4	506050	HEX NUT M6 X 1	ECROU NYLON M6 X 1	
24	3	506051	NYLON NUT M8 X 1.25	ECROU NYLON M8 X 1.25	
25	3	506040	NYLON NUT M12 X 1.75	ECROU NYLON M12 X 1.75	
26	1	506038	NYLON NUT M20 X 2.5	ECROU NYLON M20 X 2.5	
27	7	502002	FLAT WASHER 1/4 Z	RONDELLE PLATE 1/4 Z	
28	7	502006-1	FLAT WASHER 1/2 Z	RONDELLE PLATE 1/2 Z	
29	2	502009	FLAT WASHER 3/4 Z	RONDELLE PLATE 3/4 Z	
30	4	502064	LOCK WASHER 1/4	RONDELLE DE BLOCAGE 1/4	

14B - SCALE OPTION / OPTION DE PESÉ

Bluetooth modem Dina Tel 3
#415173



EXTRA DISPLAY KIT
#900656



WEIGHT REPEATER /
RÉPÉTITEUR DE POIDS
#900688

14B - SCALE OPTION / OPTION DE PESÉ

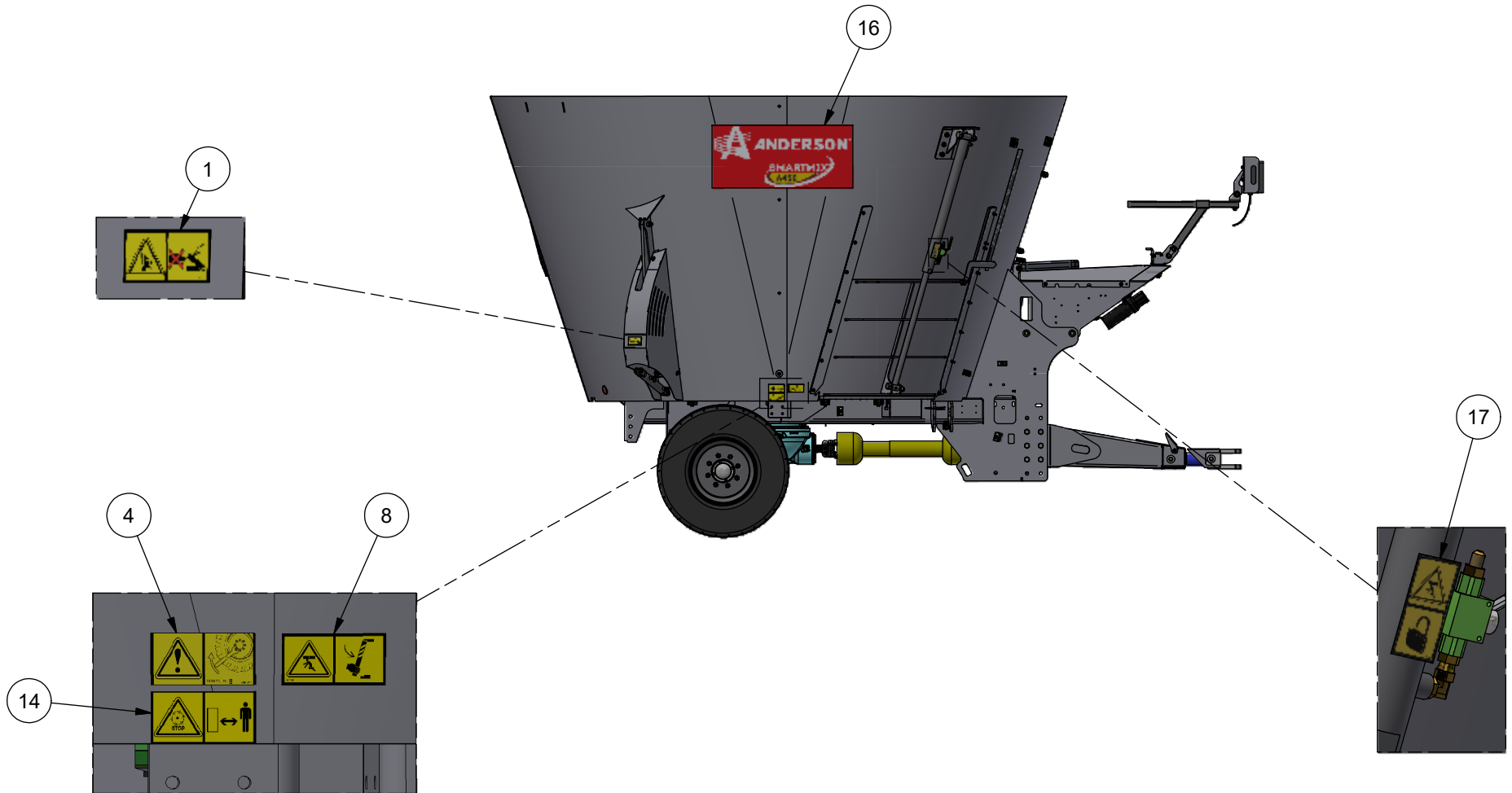


WEIGHT REPEATER / RÉPÉTITEUR DE POIDS					
ITEM	QT	PART/PIECE	ENGLISH DESCRIPTION	DESCRIPTION FRANCAISE	NOTE
1	1	090-FRM-363	CASE	BOÎTIER	
2	1	090-FRM-364	SUPPORT PLATE	PLAQUE DE SUPPORT	
3	1	090-FRM-BN	WEIGHT REPEATER ARM	BRAS DU RÉPÉTITEUR DE POIDS	
4	4	502006	FLAT WASHER 1/2 Z-SAE	RONDELLE PLATE 1/2 Z-SAE	
5	1	502048	LOCK WASHER 1/2	RONDELLE DE BLOCAGE 1/2	
6	3	506040	NYLON NUT M12 X 1.75	ECROU NYLON M12 X 1.75	
7	3	506102	HEX. BOLT M12 X 1.75 X 45mm CL8.8	BOULON HEX. M12 X 1.75 X 45mm CL8.8	
8	1	506121	HEX. BOLT M12 X 1.75 X 80mm CL8.8	BOULON HEX. M12 X 1.75 X 80mm CL8.8	
9	1	900688	WEIGHT REPEATER	REPETITEUR DE POIDS	
10	1	900689	WEIGHT REPEATER POWER CABLE	CABLE D'ALIMENTATION REPETITEUR DE POIDS	

EXTRA DISPLAY KIT					
ITEM	QT	PART/PIECE	ENGLISH DESCRIPTION	DESCRIPTION FRANCAISE	NOTE
1	1	090-FRM-363	CASE	BOÎTIER	
2	1	090-FRM-364	SUPPORT PLATE	PLAQUE DE SUPPORT	
3	1	090-FRM-BN	WEIGHT REPEATER ARM	BRAS DU RÉPÉTITEUR DE POIDS	
4	4	502006	FLAT WASHER 1/2 Z-SAE	RONDELLE PLATE 1/2 Z-SAE	
5	1	502048	LOCK WASHER 1/2	RONDELLE DE BLOCAGE 1/2	
6	3	506040	NYLON NUT M12 X 1.75	ECROU NYLON M12 X 1.75	
7	3	506102	HEX. BOLT M12 X 1.75 X 45mm CL8.8	BOULON HEX. M12 X 1.75 X 45mm CL8.8	
8	1	506121	HEX. BOLT M12 X 1.75 X 80mm CL8.8	BOULON HEX. M12 X 1.75 X 80mm CL8.8	
10	1	900689	WEIGHT REPEATER POWER CABLE	CABLE D'ALIMENTATION REPETITEUR DE POIDS	
11	1	900656	EXTRA DISPLAY	ÉCRAN EXTRA	

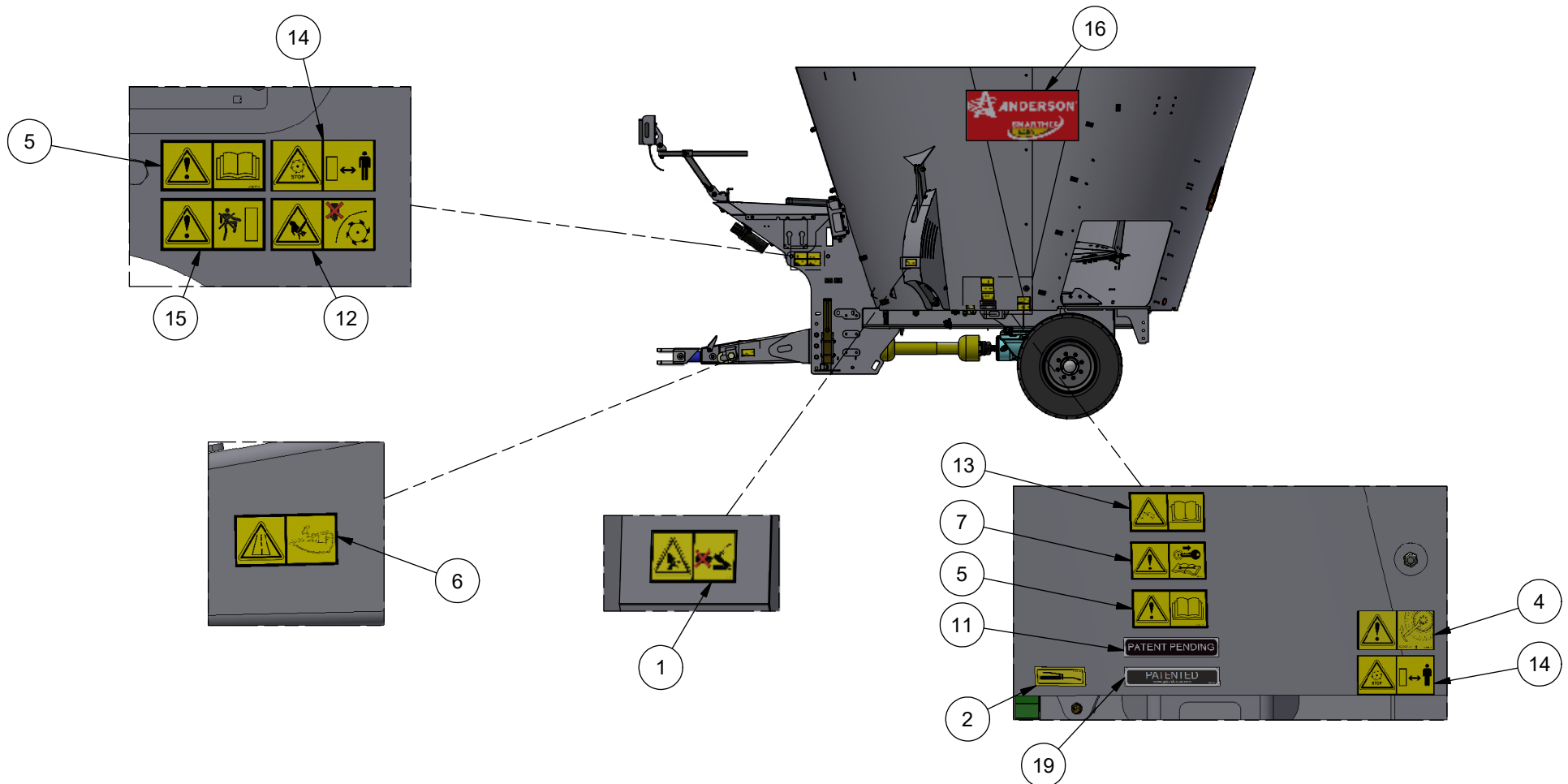
15A - STICKER LOCATION / EMPLACEMENT DES DÉCALQUES

ITEM	QT	PART/PIECE	ENGLISH DESCRIPTION	DESCRIPTION FRANCAISE	NOTE
1	2	404164	CAUTION RISK OF CRUSHING STICKER	DECALQUE ATTENTION RISQUE ECRASEMENT	
4	2	404042-1	CHECK THE WHEEL NUTS STICKER	DECALQUE VERIF, ECROUS DE ROUE	
8	1	404163	BE CAREFUL PUT SAFETY KICKSTAND STICKER	DECALQUE ATTENTION METTRE BEQUILLE	
14	3	404298	STICKER ROTATION COMPONENTS	DECALQUE ELEMENTS EN ROTATION	
16	2	404307	STICKER SMARTMIX S450	DECALQUE SMARTMIX S450	
17	1	404351	STICKER LOCK CRUSHING	DECALQUE BARRURE ECRASEMENT	



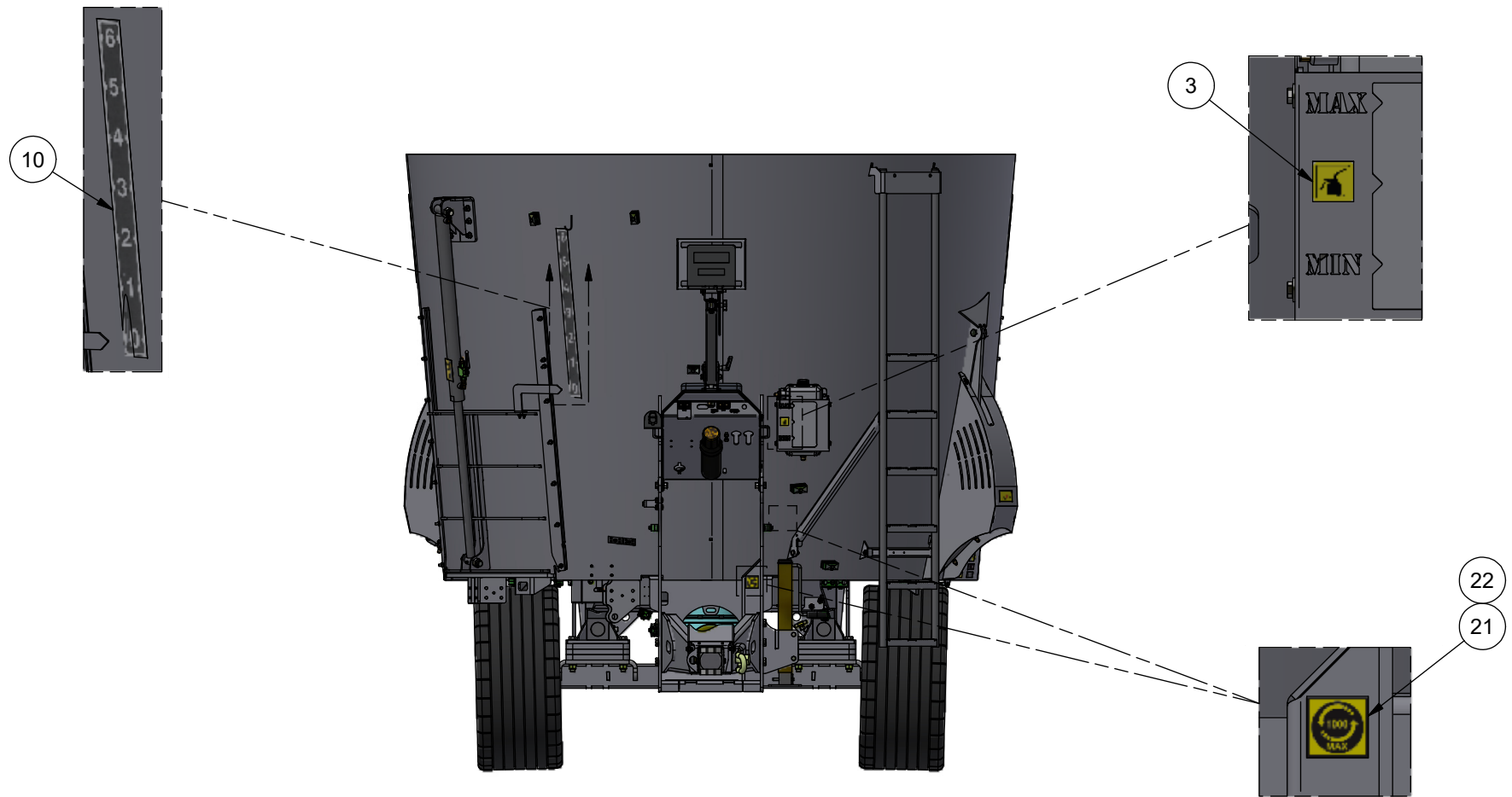
15B - STICKER LOCATION / EMPLACEMENT DES DÉCALQUES

ITEM	QT	PART/PIECE	ENGLISH DESCRIPTION	DESCRIPTION FRANCAISE	NOTE
1	2	404164	CAUTION RISK OF CRUSHING STICKER	DECALQUE ATTENTION RISQUE ECRASEMENT	
2	1	404002	LUBRICATION STICKER	DECALQUE GRAISSAGE	
4	2	404042-1	CHECK THE WHEEL NUTS STICKER	DECALQUE VERIF, ECROUS DE ROUE	
5	2	404057-1	READ THE MANUAL STICKER	DECALQUE LIRE MANUEL	
6	1	404058-1	STICKER SECURITY CHAIN	DECALQUE CHAINE DE RETENUE	
7	1	404158-1	STICKER STOP ENGINE FOR MAINTENANCE	DECALQUE ARRET MOTEUR ENTRETIEN	
11	1	404293	STICKER PATENT PENDING	DECALQUE BREVET EN INSTANCE	
12	1	404296	STICKER DO NOT APPROACH HANDS	DECALQUE NE PAS APPROCHER MAINS	
13	2	404297	CAUTION WELDING STICKER	DECALQUE ATTENTION SOUDURE	
14	3	404298	STICKER ROTATION COMPONENTS	DECALQUE ELEMENTS EN ROTATION	
15	1	404299	STICKER DO NOT ENTER EQUIPMENT	DECALQUE NE PAS ENTRER DANS EQUIPEMENT	
16	2	404307	STICKER SMARTMIX S450	DECALQUE SMARTMIX S450	
19	1	404395	STICKER PATENTED	DECALQUE BREVETÉ	



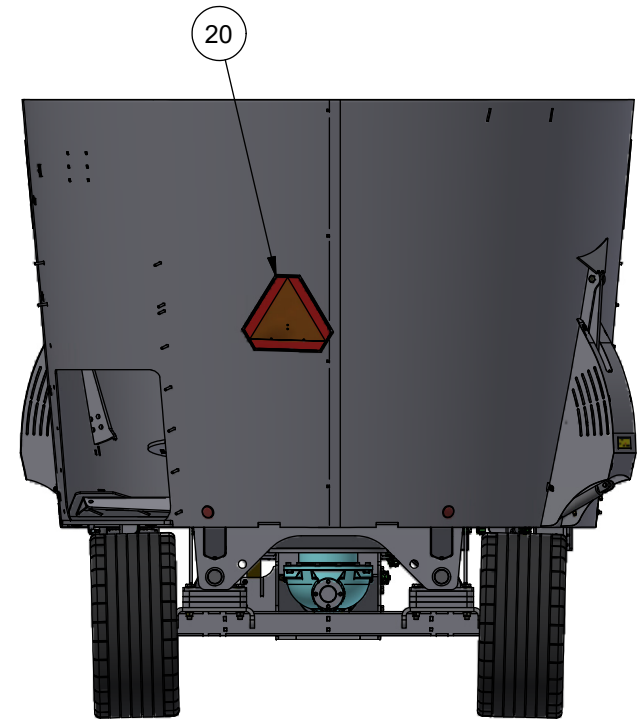
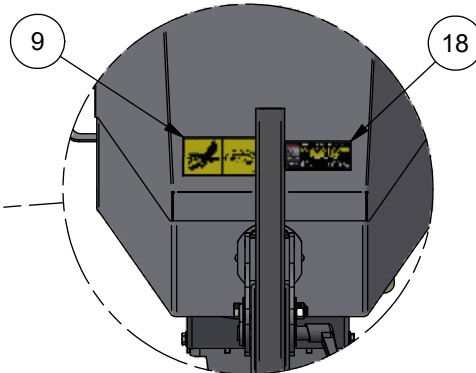
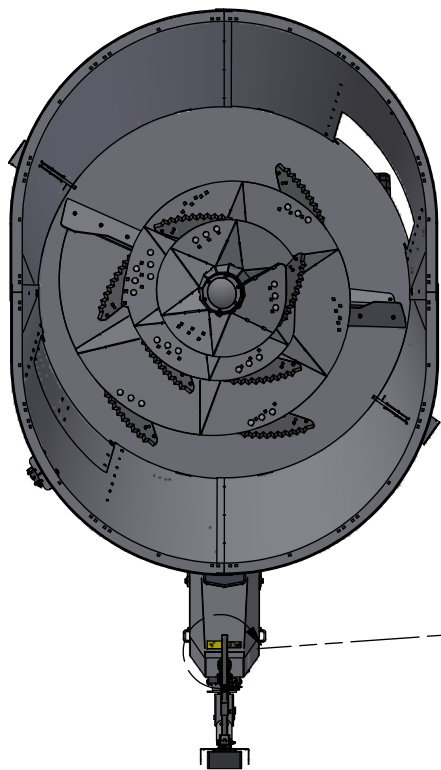
15C - STICKER LOCATION / EMPLACEMENT DES DÉCALQUES

ITEM	QT	PART/PIECE	ENGLISH DESCRIPTION	DESCRIPTION FRANCAISE	NOTE
3	1	404040	OIL CHANGE STICKER	DECALQUE CHANGEMENT D'HUILE	
10	1	404289	DOOR OPENING MIXER	DECALQUE OUVERTURE TRAPPE MELANGEUR	
21	1	404190	DECALQUE 540 RPM MAX	DECALQUE 540 RPM MAX	
22	1	404278	1000 RPM MAX STICKER	DECALQUE 1000 RPM MAX	

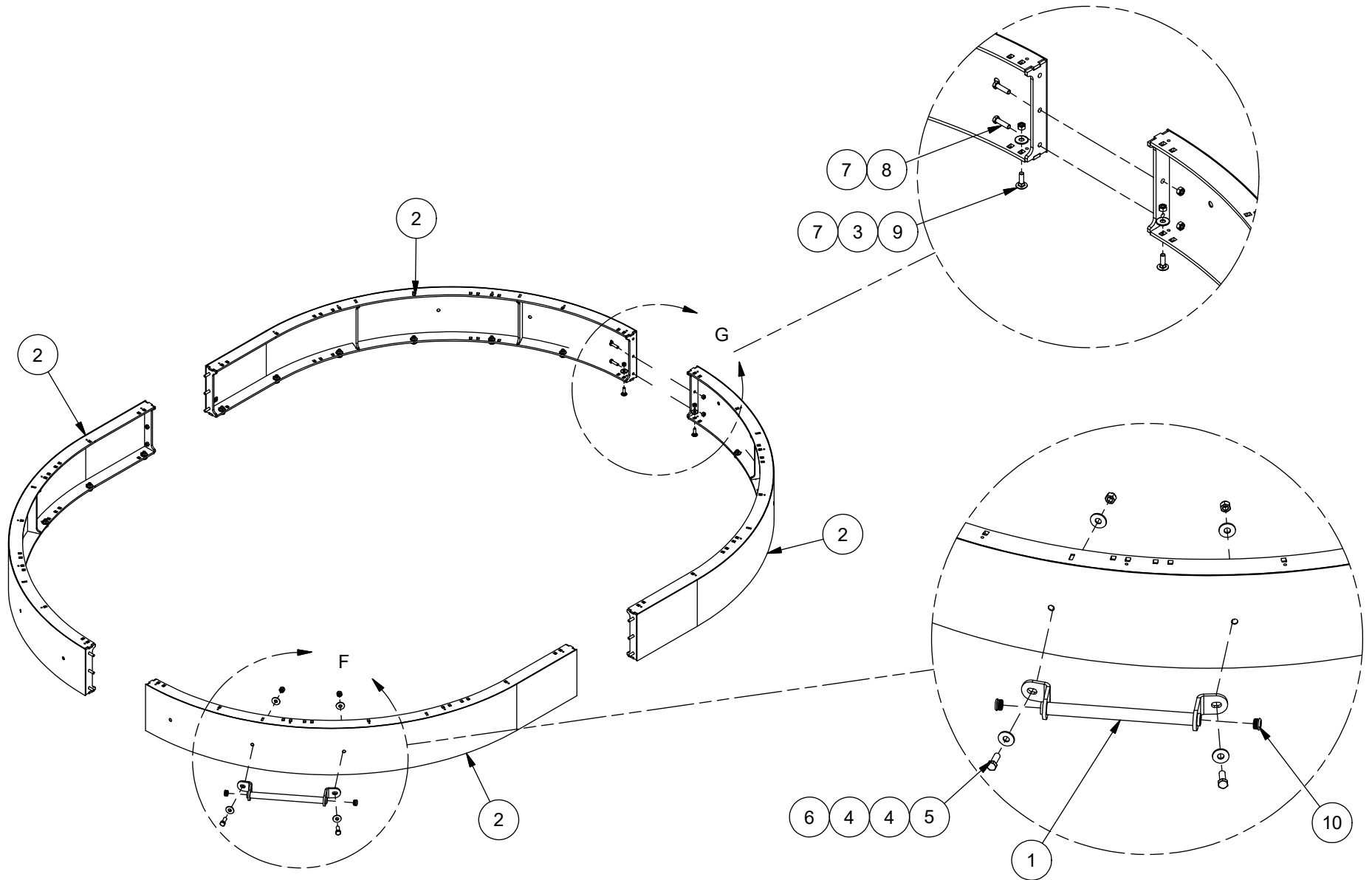


15D - STICKER LOCATION / EMPLACEMENT DES DÉCALQUES

ITEM	QT	PART/PIECE	ENGLISH DESCRIPTION	DESCRIPTION FRANCAISE	NOTE
9	1	404170	REFERENCE TO MANUAL STICKER	DECALQUE REF MANUEL	
18	1	404370	STICKER ANDERSON APP	DÉCALQUE APPLICATION ANDERSON	
20	1	407070	STICKER TRIANGLE	DECALQUE TRIANGLE	



16 - CAPACITY EXTENSION 6" 12" 18" / REHAUSSE 6" 12" 18"



16 - CAPACITY EXTENSION 6" 12" 18" / REHAUSSE 6" 12" 18'

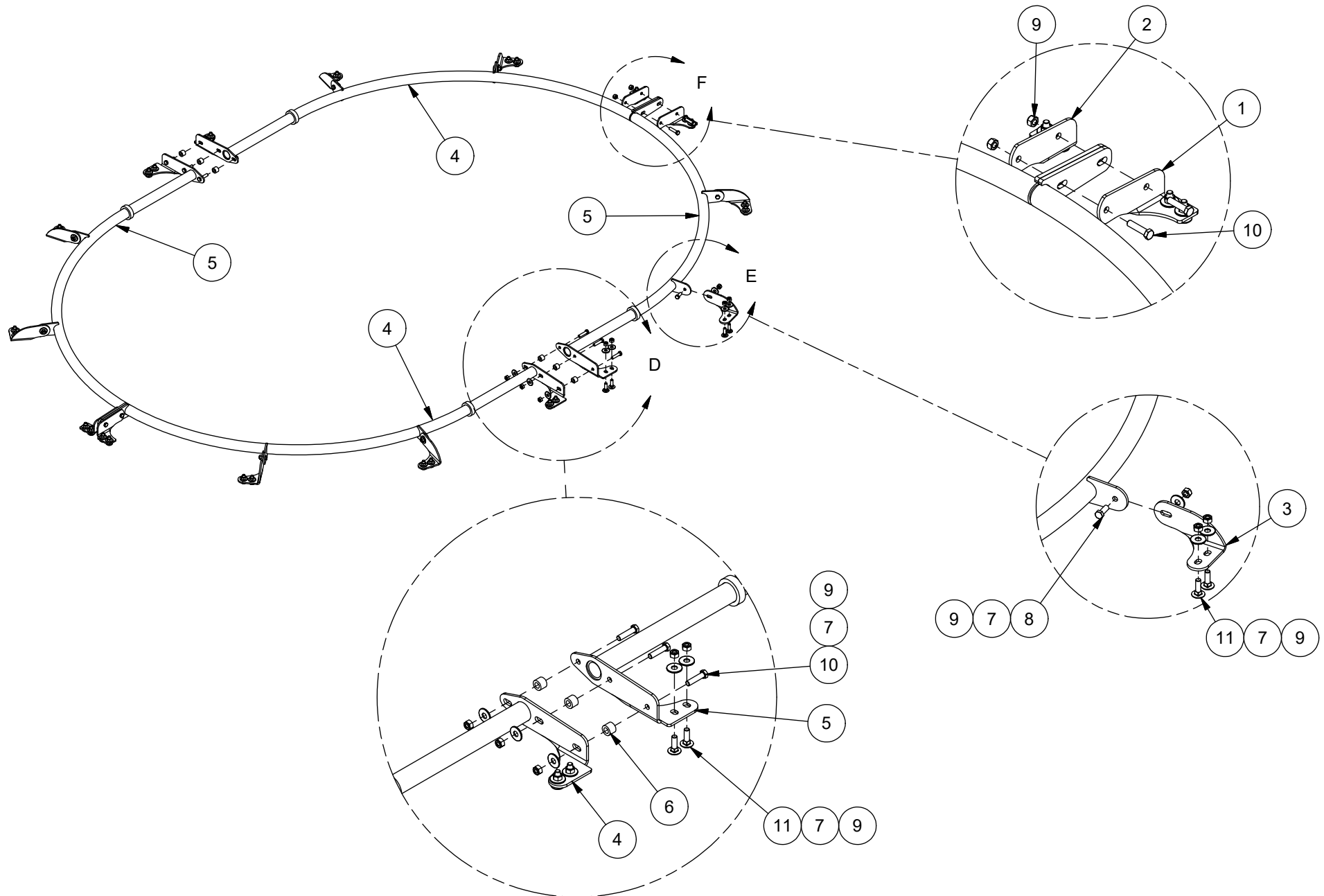


CAPACITY EXTENSION 6"/ REHAUSSE 6"					
ITEM	QT	PART/PIECE	ENGLISH DESCRIPTION	DESCRIPTION FRANCAISE	NOTE
1	1	090-REH-BR	EXTENSION HANDLE	POIGNÉE DE REHAUSSE	
2	4	097-REH-AG	EXTENSION CAPACITY SECTION	SECTION DE REHAUSSE	
3	28	502006-1	FLAT WASHER 1/2 Z	RONDELLE PLATE 1/2 Z	
4	4	502008	FLAT WASHER 5/8 Z	RONDELLE PLATE 5/8 Z	
5	2	506020	HEX. BOLT M16 X 2 X 45mm CL8.8	BOULON HEX. M16 X 2 X 45mm CL8.8	
6	2	506037	NYLON NUT M16 X 2	ECROU NYLON M16 X 2	
7	36	506040	NYLON NUT M12 X 1.75	ECROU NYLON M12 X 1.75	
8	8	506102	HEX. BOLT M12 X 1.75 X 45mm CL8.8	BOULON HEX. M12 X 1.75 X 45mm CL8.8	
9	28	507135	CARRIAGE BOLT M12 X 1.75 X 40 CL8.8	BOULON CAROSSERIE M12 X 1.75 X 40 CL8.8	
10	2	481013	CAPUCHON	PLASTIC PLUG	

CAPACITY EXTENSION 12"/ REHAUSSE 12"					
ITEM	QT	PART/PIECE	ENGLISH DESCRIPTION	DESCRIPTION FRANCAISE	NOTE
1	1	090-REH-BR	EXTENSION HANDLE	POIGNÉE DE REHAUSSE	
2	4	097-REH-AA	EXTENSION SECTION	SECTION DE REHAUSSE	
3	28	502006-1	FLAT WASHER 1/2 Z	RONDELLE PLATE 1/2 Z	
4	4	502008	FLAT WASHER 5/8 Z	RONDELLE PLATE 5/8 Z	
5	2	506020	HEX. BOLT M16 X 2 X 45mm CL8.8	BOULON HEX. M16 X 2 X 45mm CL8.8	
6	2	506037	NYLON NUT M16 X 2	ECROU NYLON M16 X 2	
7	40	506040	NYLON NUT M12 X 1.75	ECROU NYLON M12 X 1.75	
8	12	506102	HEX. BOLT M12 X 1.75 X 45mm CL8.8	BOULON HEX. M12 X 1.75 X 45mm CL8.8	
9	28	507135	CARRIAGE BOLT M12 X 1.75 X 40 CL8.8	BOULON CAROSSERIE M12 X 1.75 X 40 CL8.8	
10	2	481013	CAPUCHON	PLASTIC PLUG	

CAPACITY EXTENSION 18"/ REHAUSSE 18"					
ITEM	QT	PART/PIECE	ENGLISH DESCRIPTION	DESCRIPTION FRANCAISE	NOTE
1	1	090-REH-BR	EXTENSION HANDLE	POIGNÉE DE REHAUSSE	
2	4	097-REH-AI	END SECTION	SECTION DU BOUT	
3	28	502006-1	FLAT WASHER 1/2 Z	RONDELLE PLATE 1/2 Z	
4	4	502008	FLAT WASHER 5/8 Z	RONDELLE PLATE 5/8 Z	
5	2	506020	HEX. BOLT M16 X 2 X 45mm CL8.8	BOULON HEX. M16 X 2 X 45mm CL8.8	
6	2	506037	NYLON NUT M16 X 2	ECROU NYLON M16 X 2	
7	40	506040	NYLON NUT M12 X 1.75	ECROU NYLON M12 X 1.75	
8	12	506102	HEX. BOLT M12 X 1.75 X 45mm CL8.8	BOULON HEX. M12 X 1.75 X 45mm CL8.8	
9	28	507135	CARRIAGE BOLT M12 X 1.75 X 40 CL8.8	BOULON CAROSSERIE M12 X 1.75 X 40 CL8.8	
10	2	481013	CAPUCHON	PLASTIC PLUG	

17 - HAY RETENTION RING / ANNEAU ANTI-DÉBORDEMENT



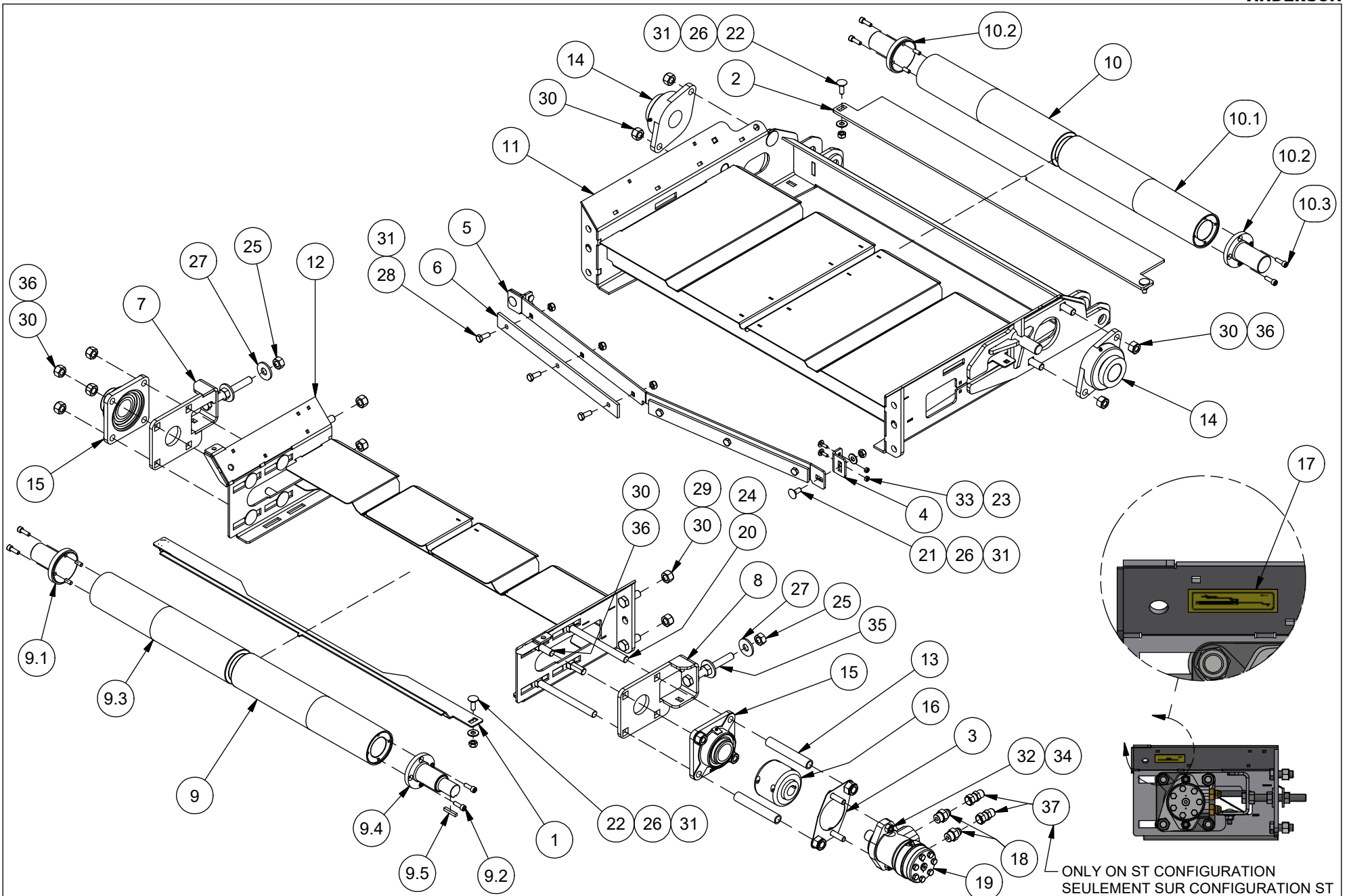
17 - HAY RETENTION RING / ANNEAU ANTI-DÉBORDEMENT



ANDERSON

ITEM	QT	PART/PIECE	ENGLISH DESCRIPTION	DESCRIPTION FRANCAISE	NOTE
1	2	093-REH-043	MOUNTING PLATE	PLAQUE DE FIXATION	
2	2	093-REH-045	MOUNTING PLATE	PLAQUE DE FIXATION	
3	8	097-REH-006	MOUNTING PLATE	PLAQUE DE FIXATION	
4	2	097-REH-AD	QUATER SECTION LEFT	QUART DE SECTION GAUCHE	
5	2	097-REH-AE	QUATER SECTION RIGHT	QUART DROIT SECTION	
6	6	206334	SPACER T.M. 1" X L 0,75" X 0.218" MUR	ESPACER T.M. 1" X L 0,75" X 0.218" MUR	
7	46	502006-1	FLAT WASHER 1/2 Z	RONDELLE PLATE 1/2 Z	
8	8	506008-2	HEX. BOLT M12 X 1.75 X 30mm CL8.8	BOULON HEX. M12 X 1.75 X 30mm CL8.8	
9	50	506040	NYLON NUT M12 X 1.75	ECROU NYLON M12 X 1.75	
10	10	506095	HEX. BOLT M12 X 1.75 X 50mm CL8.8	BOULON HEX. M12 X 1.75 X 50mm CL8.8	
11	32	507135	CARRIAGE BOLT M12 X 1.75 X 40 CL8.8	BOULON CAROSSERIE M12 X 1.75 X 40 CL8.8	

19A - COMMUN INCLINE BELT CONVEYOR / COMMUN CONVOYEUR INCLINÉ À COURROIE



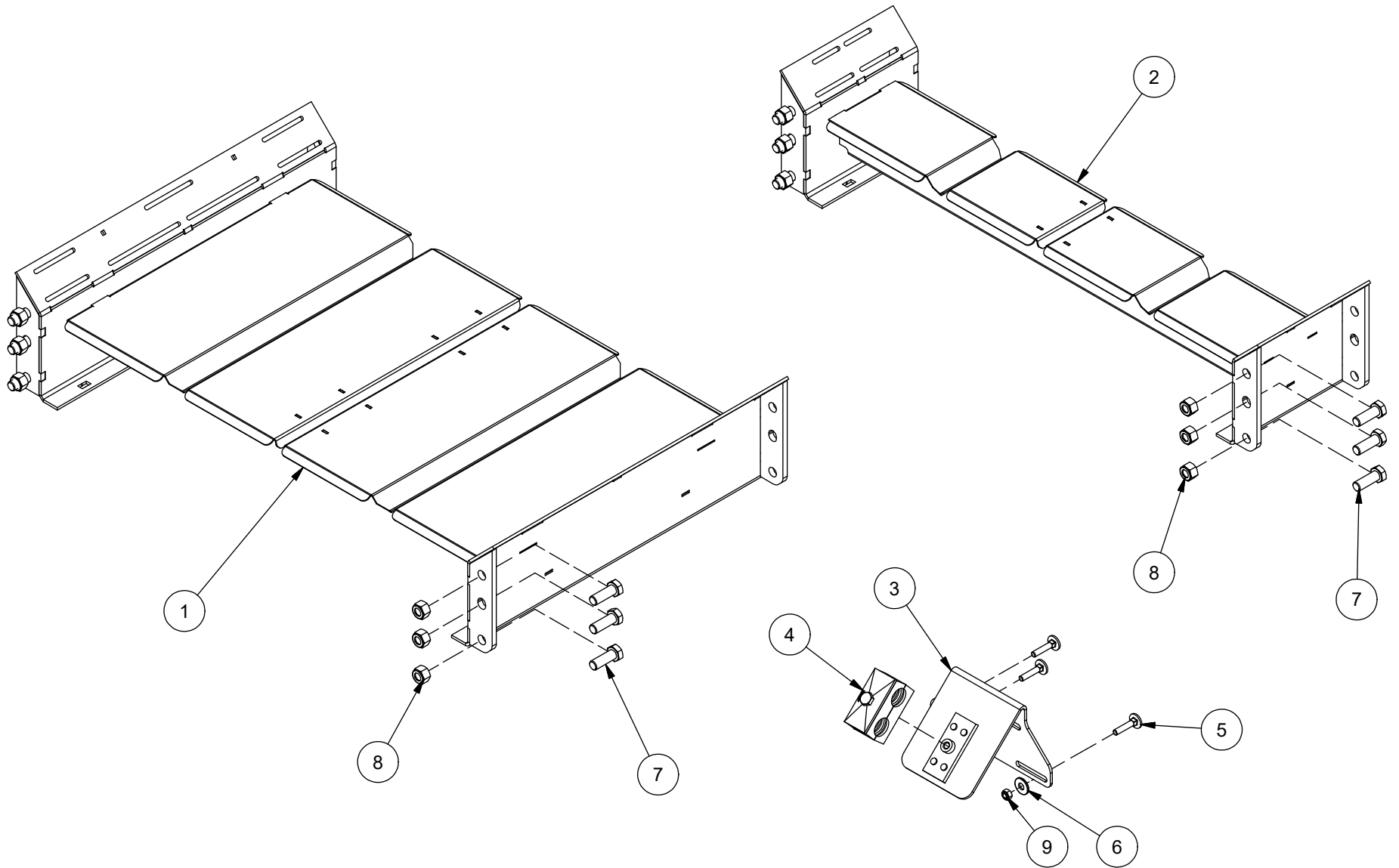
ONLY ON ST CONFIGURATION
SEULEMENT SUR CONFIGURATION ST

19A - COMMUN INCLINE BELT CONVEYOR / COMMUN CONVOYEUR INCLINÉ À COURROIE



ITEM	QT	PART/PIECE	ENGLISH DESCRIPTION	DESCRIPTION FRANCAISE	NOTE
1	1	090-CON-131	ADJUSTABLE PULLEY SCRAPPER	RACLOIR DE POULIE AJUSTABLE	
2	1	090-CON-369	ADJUSTABLE PULLEY SCRAPPER	RACLOIR DE POULIE AJUSTABLE	
3	1	090-CON-393	HYDRAULIC MOTOR SUPPORT	SUPPORT DE MOTEUR HYDRAULIQUE	
4	2	090-CON-394	FIXING BRACKET	BRAQUETTE DE FIXATION	
5	1	090-CON-395	CENTRAL SCRAPPER	RACLOIR CENTRAL	
6	2	090-CON-396	BELT SCRAPER	RACLOIRE DE TAPIS	
7	1	090-CON-AD	CONVOYER TENSIONER	TENDEUR DE CONVOYEUR	
8	1	090-CON-AE	CONVOYER TENSIONER	TENDEUR DE CONVOYEUR	
9	1	090-CON-CE	DRIVE PULLEY FOR BELT CONVEYOR	POULIE DE TÊTE POUR CONVOYEUR A COURROIE	
9.1	1	900782	PULLEY EXTENSION	EXTENSION DE POULIE	
9.2	8	506140	SOCKET HEAD CAP SCREW M8-1.25 X 25MMCL8.8	VIS A TETE CYL. M8-1.25 X 25MMCL8.8	
9.3	1	900809	PULLEY CENTRAL SECTION	SECTION CENTRALE DE LA POULIE	
9.4	1	091-CON-050	DRIVE PULLEY EXTENSION	EXTENSION DE POULIE AVEC ARBRE DE TRANSMISSION	
9.5	1	325141-1	KEY 1/4 X 1/4 X 1 1/2	CLE 1/4 X 1/4 X 1 1/2	
10	1	090-CON-CF	CONVOYER PULLEY	POULIE DE CONVOYEUR	
10.1	1	900809	PULLEY CENTRAL SECTION	SECTION CENTRALE DE LA POULIE	
10.2	2	900782	PULLEY EXTENSION	EXTENSION DE POULIE	
10.3	8	506140	SOCKET HEAD CAP SCREW M8-1.25 X 25MMCL8.8	VIS A TETE CYL. M8-1.25 X 25MMCL8.8	
11	1	090-CON-DE	BOTTOM CONVEYOR FRAME	CHÂSSIS INFÉRIEUR DU CONVOYEUR	
12	1	090-CON-DF	TOP CONVEYOR FRAME	CHÂSSIS SUPÉRIEUR DU CONVOYEUR	
13	2	090-CON-180	HYDRAULIC MOTOR LONG SPACER	ESPACEUR LONG DE MOTEUR HYDRAULIQUE	
14	2	303048	BEARING HCFT209-28	ROULEMENT HCFT209-28	
15	2	303161	FLANGE BEARING 1 3/4	ROULEMENT A PALIER 1 3/4	
16	1	322062	CHAIN COUPLING	ACCOUPEMENT À CHAÎNE	
17	4	404002	LUBRICATION STICKER	DECALQUE GRAISSAGE	
18	2	451179	8 M JIC - 10 M ORB	8 M JIC - 10 M ORB	
19	1	469161	HYD. MOTOR MLHP100CN4UPE+KPDR145/AP/3	MOTEUR HYD. MLHP100CN4UPE+KPDR145/AP/3	
20	2	500556	CARRIAGE BOLT	BOULON DE CARROSSERIE	
21	2	500700	CARRIAGE BOLT M10 X 1.50 X 25 CL4.6	BOULON CAROSSERIE M10 X 1.50 X 25 CL4.6	
22	4	500705	CARRIAGE BOLT M10 X 1.50 X 30 CL4.6	BOULON CAROSSERIE M10 X 1.50 X 30 CL4.6	
23	4	500706	CBZ M6 X 1.0 X 20 CL8.8	CBZ M6 X 1.0 X 20 CL8.8	
24	2	501035	HEX NYLON LOCKNUT GR5 5/8-11 Z	ÉCROU NYLON IND HEX GR5 5/8-11 Z	
25	6	501119	HEX NUT M16 X 2 CL8 Z	ÉCROU HEX M16 X 2 CL8 Z	
26	6	502004	FLAT WASHER 3/8 Z	RONDELLE PLATE 3/8 Z	
27	4	502008	FLAT WASHER 5/8 Z	RONDELLE PLATE 5/8 Z	
28	6	506009-1	HEX. BOLT M10 X 1.5 X 25mm CL8.8	BOULON HEX. M10 X 1.5 X 25mm CL8.8	
29	4	506020	HEX. BOLT M16 X 2 X 45mm CL8.8	BOULON HEX. M16 X 2 X 45mm CL8.8	
30	14	506037	NYLON NUT M16 X 2	ECROU NYLON M16 X 2	
31	12	506039	NYLON NUT M10 X 1.5	ECROU NYLON M10 X 1.5	
32	2	506040	NYLON NUT M12 X 1.75	ECROU NYLON M12 X 1.75	
33	4	506050	HEX NUT M6 X 1	ECROU NYLON M6 X 1	
34	2	506129	HEX. BOLT M12 X 1.75 X 40mm CL8.8	BOULON HEX. M12 X 1.75 X 40mm CL8.8	
35	2	506150	HEX. BOLT M16 X 2 X 140mm FT CL8.8	BOULON HEX. M16 X 2 X 140mm FT CL8.8	
36	10	506154	CARRIAGE BOLT M16 X 2 X 50 CL8.8	CBZ M16 - 2.00 X 50MM CL8.8	
37	2	450916	8 F.JIC - 8 M.JIC	8 F.JIC - 8 M.JIC	

19B - INTER INCLINED BELT CONVEYOR / INTER CONVOYEUR INCLINÉ À COURROIE



19B - INTER INCLINED BELT CONVEYOR / INTER CONVOYEUR INCLINÉ À COURROIE



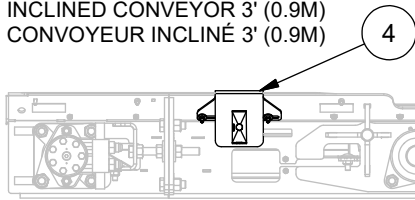
ANDERSON

ITEM	QT	PART/PIECE	ENGLISH DESCRIPTION	DESCRIPTION FRANCAISE	NOTE
1	1	090-CON-AC	CENTRAL CONVEYOR FRAME	CHÂSSIS CENTRAL DU CONVOYEUR	
2	1	090-CON-AG	CENTRAL CONVEYOR FRAME	CHÂSSIS CENTRAL DU CONVOYEUR	
3	1	090-CON-BW	HOSE SUPPORT	SUPPORT DE BOYAU	
4	1	470051	DOUBLE HOSE HOLDER 21.3mm (0.84")	SUPPORT BOYAU DOUBLE 21.3mm (0.84")	
5	3	500714	CBZ M6 X 1.0 X 30 CL8.8	CBZ M6 X 1.0 X 30 CL8.8	
6	3	502002	FLAT WASHER 1/4 Z	RONDELLE PLATE 1/4 Z	
7	12	506020	HEX. BOLT M16 X 2 X 45mm CL8.8	BOULON HEX. M16 X 2 X 45mm CL8.8	
8	12	506037	NYLON NUT M16 X 2	ECROU NYLON M16 X 2	
9	3	506050	HEX NUT M6 X 1	ECROU NYLON M6 X 1	

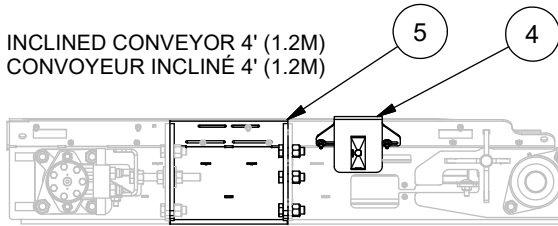
19C - SHORT INCLINE BELT CONVOYOR/ CONVOYEUR INCLINÉ COUR À COURROIE



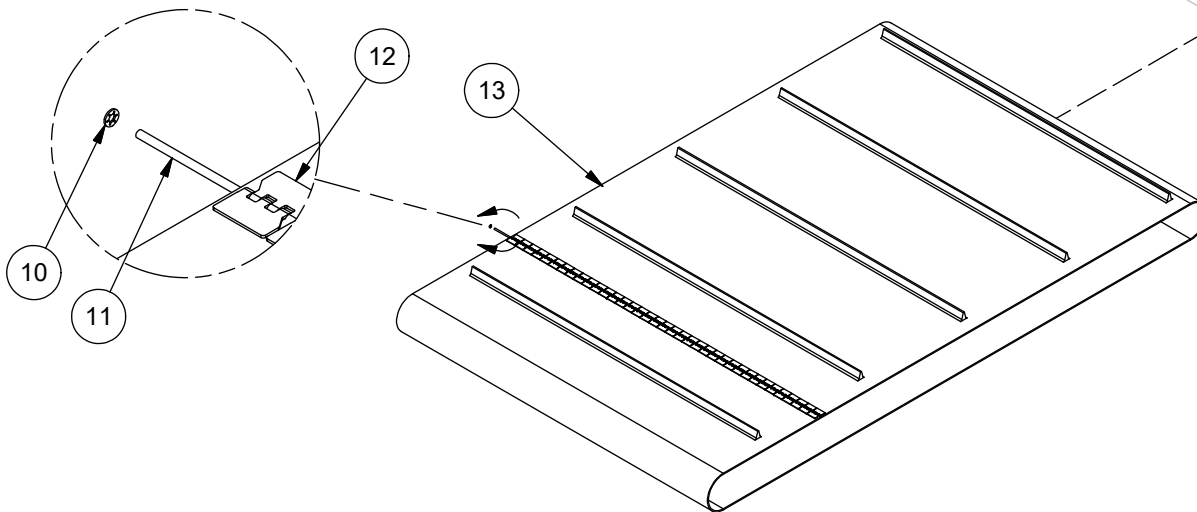
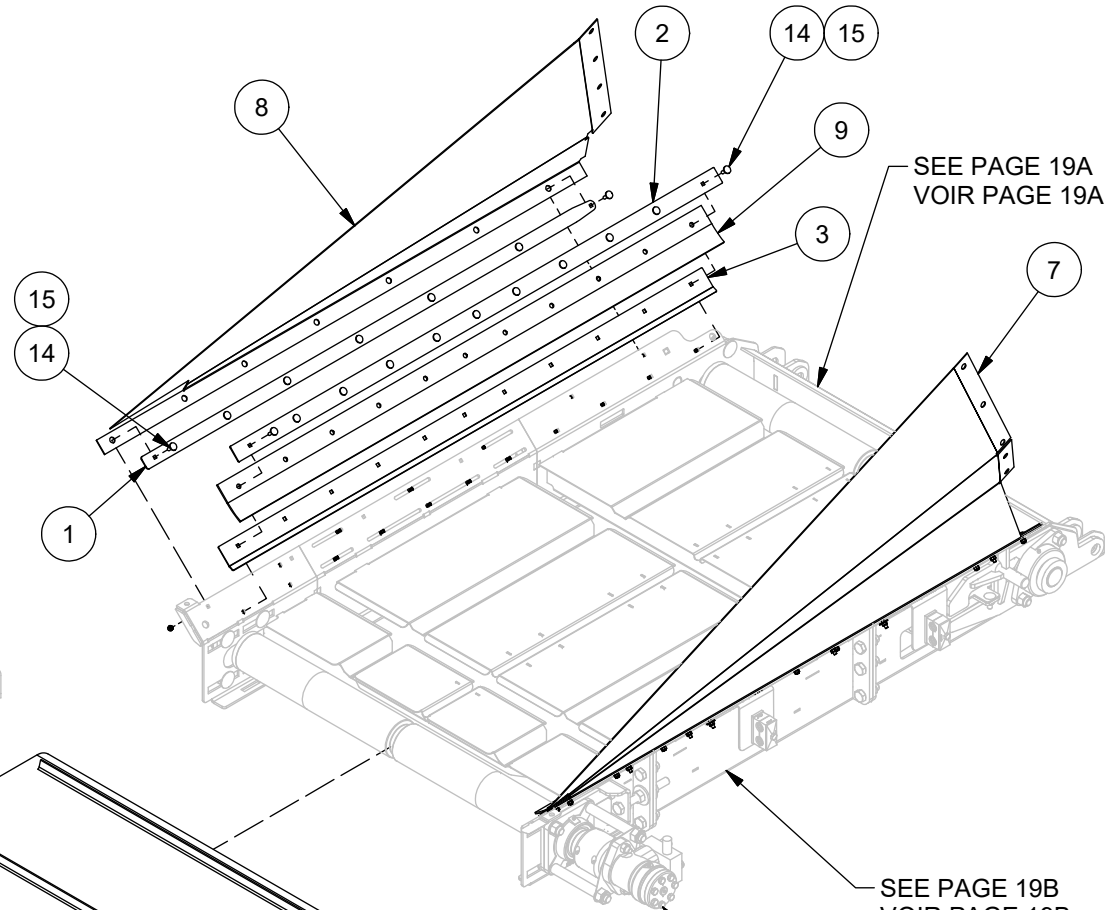
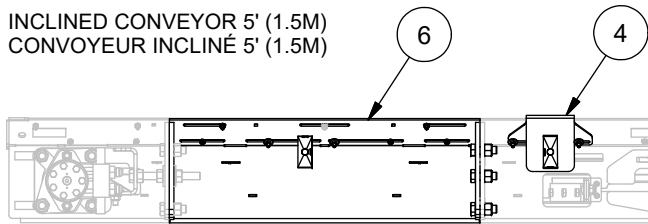
INCLINED CONVEYOR 3' (0.9M)
CONVOYEUR INCLINÉ 3' (0.9M)



INCLINED CONVEYOR 4' (1.2M)
CONVOYEUR INCLINÉ 4' (1.2M)



INCLINED CONVEYOR 5' (1.5M)
CONVOYEUR INCLINÉ 5' (1.5M)

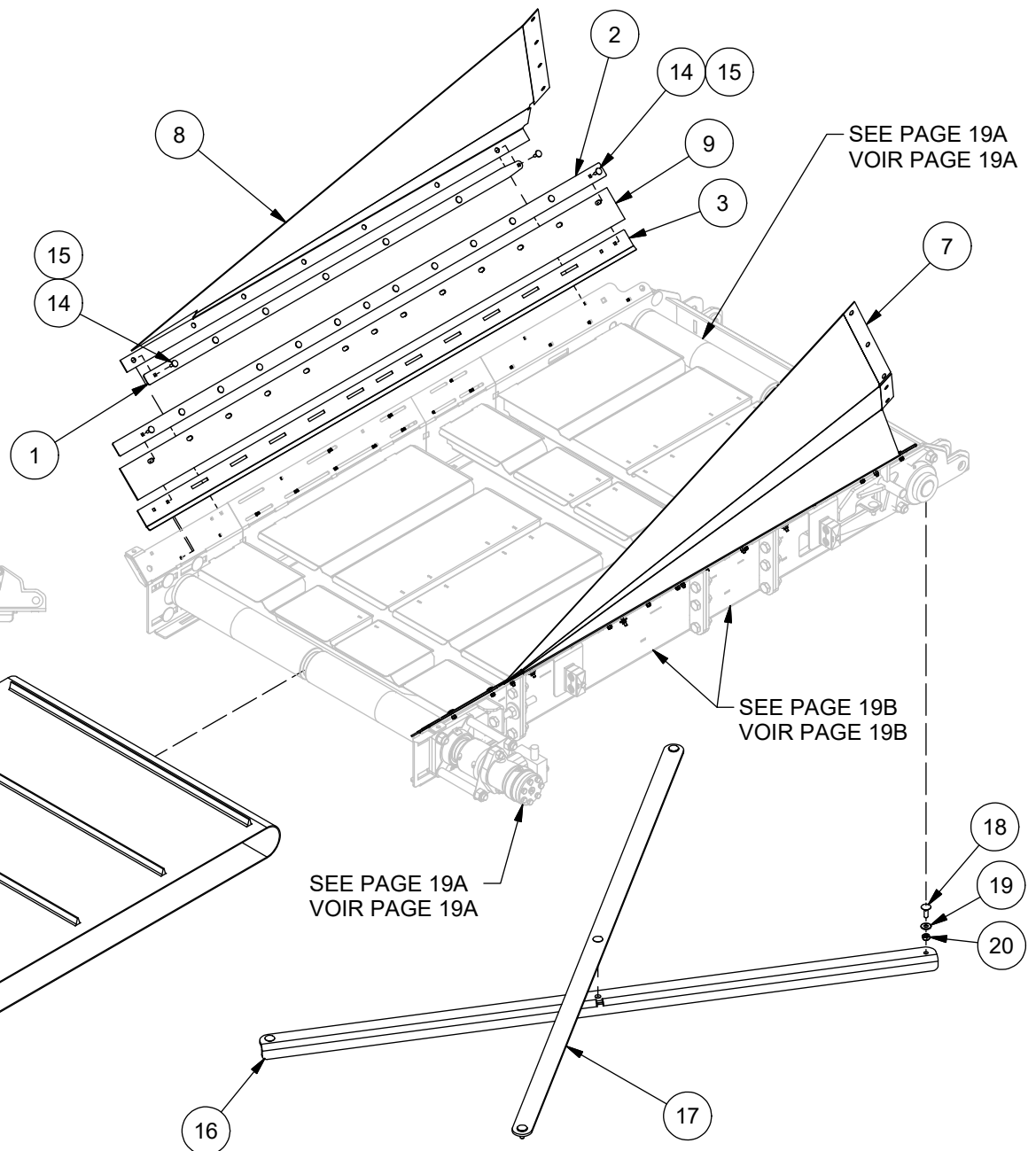
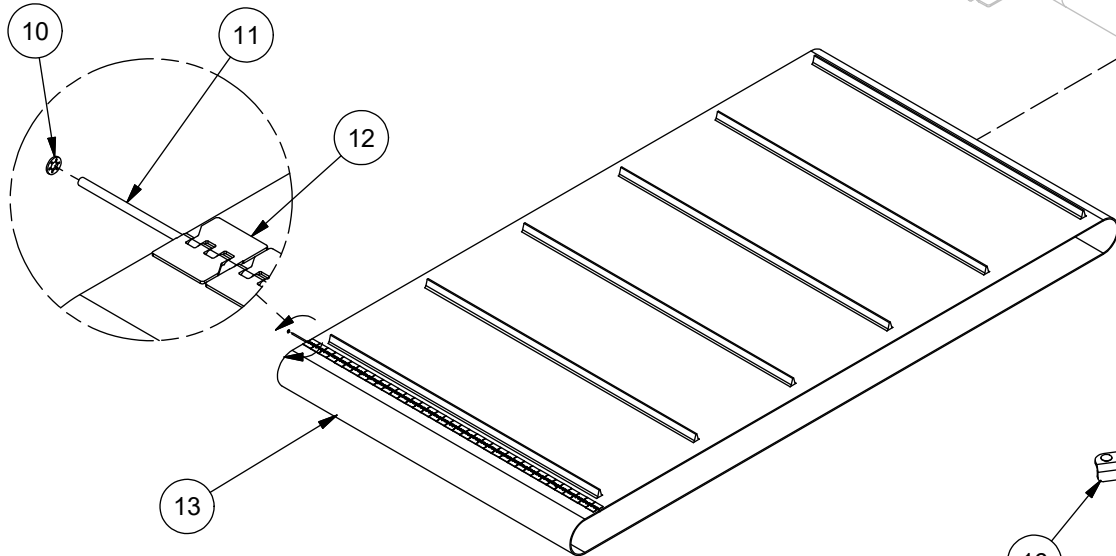
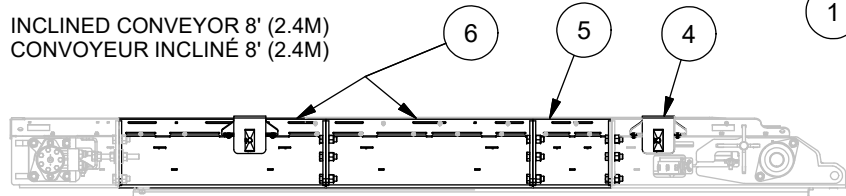
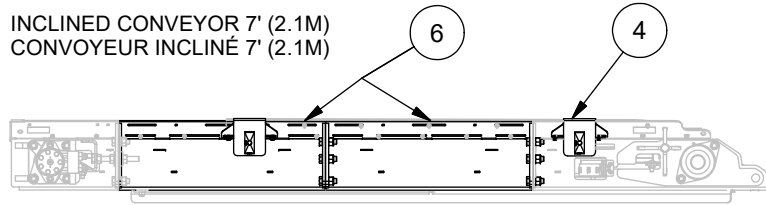
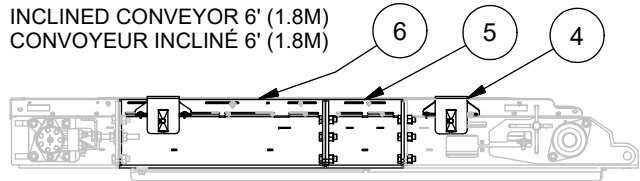


19C - SHORT INCLINE BELT CONVOYOR/ CONVOYEUR INCLINÉ COURT À COURROIE



CONVOYOR 3' (0.9M) / CONVOYEUR 3' (0.9M)					
ITEM	QT	PART/PIECE	ENGLISH DESCRIPTION	DESCRIPTION FRANCAISE	NOTE
1	2	090-CON-045	CANVAS PLATE	PLAQUE POUR TOILE	
2	2	090-CON-044	RUBBER BELT PLATE	PLAQUE POUR COURROIE DE RUBBER	
3	2	090-CON-316	BELT PLATE	PLAQUE DE COURROIE	
4	1	090-CON-BW	HOSE SUPPORT	SUPPORT DE BOYAU	
7	1	250351	GRAY CANVAS 090-CON-169	TOILE GRISE 090-CON-169	
8	1	250350	GRAY CANVAS 090-CON-168	TOILE GRISE 090-CON-168	
9	2	322689	RUBBER BELT	COURROIE DE RUBBER	
10	1	325201	ALLIGATOR JOINT WASHER	RONDELLE DE JOINT ALLIGATOR	
11	4	320168	CONNECTING PIN	PIN DE CONNEXION	
12	1	250008	ALLIGATOR ATTACHE 36"	ATTACHE ALLIGATOR 36"	
13	1	430042	BELT 69.881" x 36.625" CH07-9300	COURROIE 69.881" x 36.625" CH07-9300	
14	18	500706	CBZ M6 X 1.0 X 20 CL8.8	CBZ M6 X 1.0 X 20 CL8.8	
15	20	506050	HEX NUT M6 X 1	ECROU NYLON M6 X 1	
CONVOYOR 4' (1.2M) / CONVOYEUR 4' (1.2M)					
ITEM	QT	PART/PIECE	ENGLISH DESCRIPTION	DESCRIPTION FRANCAISE	NOTE
1	2	090-CON-041	CANVAS PLATE	PLAQUE POUR TOILE	
2	2	090-CON-179	RUBBER BELT PLATE	PLAQUE POUR COURROIE DE RUBBER	
3	2	090-CON-317	BELT PLATE	PLAQUE DE COURROIE	
4	1	090-CON-BW	HOSE SUPPORT	SUPPORT DE BOYAU	
5	1	090-CON-CO	INTER SHORT SECTION	INTER SECTION COURTE	
7	1	250353	GRAY CANVAS 090-CON-171	TOILE GRISE 090-CON-171	
8	1	250352	GRAY CANVAS 090-CON-170	TOILE GRISE 090-CON-170	
9	2	322688	RUBBER BELT	COURROIE DE RUBBER	
10	1	325201	ALLIGATOR JOINT WASHER	RONDELLE DE JOINT ALLIGATOR	
11	4	320168	CONNECTING PIN	PIN DE CONNEXION	
12	1	250008	ALLIGATOR ATTACHE 36"	ATTACHE ALLIGATOR 36"	
13	1	430043	BELT 89.567" x 36.625" CH07-9301	COURROIE 89.567" x 36.625" CH07-9301	
14	24	500706	CBZ M6 X 1.0 X 20 CL8.8	CBZ M6 X 1.0 X 20 CL8.8	
15	26	506050	HEX NUT M6 X 1	ECROU NYLON M6 X 1	
CONVOYOR 5' (1.5M) / CONVOYEUR 5' (1.5M)					
ITEM	QT	PART/PIECE	ENGLISH DESCRIPTION	DESCRIPTION FRANCAISE	NOTE
1	2	090-CON-029	CANVAS PLATE	PLAQUE POUR TOILE	
2	2	090-CON-032	RUBBER BELT PLATE	PLAQUE POUR COURROIE DE RUBBER	
3	2	090-CON-318	BELT PLATE	PLAQUE DE COURROIE	
4	2	090-CON-BW	HOSE SUPPORT	SUPPORT DE BOYAU	
6	1	090-CON-CN	INTER LONG SECTION	INTER SECTION LONGUE	
7	1	250355	CANVAS 090-CON-173	TOILE GRISE 090-CON-173	
8	1	250354	CANVAS 090-CON-172	TOILE GRISE 090-CON-172	
9	2	322687	RUBBER BELT	COURROIE DE RUBBER	
10	1	325201	ALLIGATOR JOINT WASHER	RONDELLE DE JOINT ALLIGATOR	
11	4	320168	CONNECTING PIN	PIN DE CONNEXION	
12	1	250008	ALLIGATOR ATTACHE 36"	ATTACHE ALLIGATOR 36"	
13	1	430044	BELT 121.653" x 36.625" CH07-9302	COURROIE 121.653" x 36.625" CH07-9302	
14	32	500706	CBZ M6 X 1.0 X 20 CL8.8	CBZ M6 X 1.0 X 20 CL8.8	
15	36	506050	HEX NUT M6 X 1	ECROU NYLON M6 X 1	

19D - LONG INCLINE BELT CONVOYOR/ CONVOYEUR INCLINÉ LONG À COURROIE



19D - LONG INCLINE BELT CONVOYOR/ CONVOYEUR INCLINÉ LONG À COURROIE



CONVOYOR 6' (1.8M) / CONVOYEUR 6' (1.8M)

ITEM	QT	PART/PIECE	ENGLISH DESCRIPTION	DESCRIPTION FRANCAISE	NOTE
1	2	090-CON-029	CANVAS PLATE	PLAQUE POUR TOILE	
2	2	090-CON-330	RUBBER BELT PLATE	PLAQUE POUR COURROIE DE RUBBER	
3	2	090-CON-331	BELT PLATE	PLAQUE DE COURROIE	
4	2	090-CON-BW	HOSE SUPPORT	SUPPORT DE BOYAU	
5	1	090-CON-CO	INTER SHORT SECTION	INTER SECTION COURTE	
6	1	090-CON-CN	INTER LONG SECTION	INTER SECTION LONGUE	
7	1	250355	CANVAS 090-CON-173	TOILE GRISE 090-CON-173	
8	1	250354	CANVAS 090-CON-172	TOILE GRISE 090-CON-172	
9	2	322693	RUBBER BELT	COURROIE DE RUBBER	
10	1	325201	ALLIGATOR JOINT WASHER	RONDELLE DE JOINT ALLIGATOR	
11	4	320168	CONNECTING PIN	PIN DE CONNEXION	
12	1	250008	ALLIGATOR ATTACHE 36"	ATTACHE ALLIGATOR 36"	
13	1	430045	BELT 140.82" x 36.25"	COURROIE 140.82" x 36.25"	
14	33	500706	CBZ M6 X 1.0 X 20 CL8.8	CBZ M6 X 1.0 X 20 CL8.8	
15	38	506050	HEX NUT M6 X 1	ECROU NYLON M6 X 1	
16	1	090-CON-385	ANGLE SUPPORT	RENFORT À ANGLE	
17	1	090-CON-384	FLAT SUPPORT	RENFORT PLAT	
18	5	500705	CARRIAGE BOLT M10 X 1.50 X 30 CL4.6	BOULON CARROSSERIE M10 X 1.50 X 30 CL4.6	
19	5	502004	FLAT WASHER 3/8 Z	RONDELLE PLATE 3/8 Z	
20	5	506039	NYLON NUT M10 X 1.5	ECROU NYLON M10 X 1.5	

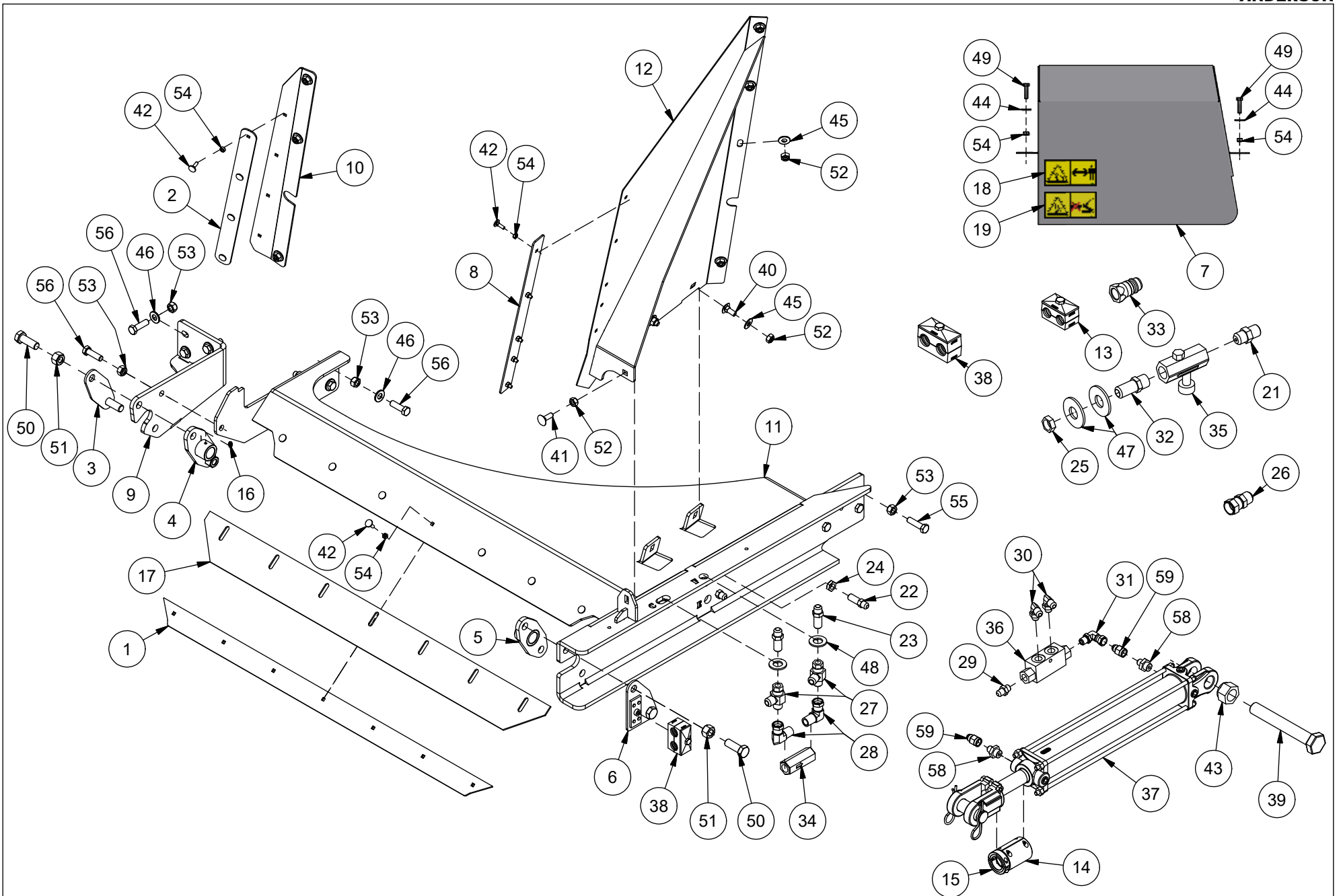
CONVOYOR 7' (2.1M) / CONVOYEUR 7' (2.1M)

ITEM	QT	PART/PIECE	ENGLISH DESCRIPTION	DESCRIPTION FRANCAISE	NOTE
1	2	090-CON-029	CANVAS PLATE	PLAQUE POUR TOILE	
2	2	090-CON-339	RUBBER BELT PLATE	PLAQUE POUR COURROIE DE RUBBER	
3	2	090-CON-338	BELT PLATE	PLAQUE DE COURROIE	
4	2	090-CON-BW	HOSE SUPPORT	SUPPORT DE BOYAU	
6	2	090-CON-CN	INTER LONG SECTION	INTER SECTION LONGUE	
7	1	250355	CANVAS 090-CON-173	TOILE GRISE 090-CON-173	
8	1	250354	CANVAS 090-CON-172	TOILE GRISE 090-CON-172	
9	2	322694	RUBBER BELT	COURROIE DE RUBBER	
10	1	325201	ALLIGATOR JOINT WASHER	RONDELLE DE JOINT ALLIGATOR	
11	4	320168	CONNECTING PIN	PIN DE CONNEXION	
12	1	250008	ALLIGATOR ATTACHE 36"	ATTACHE ALLIGATOR 36"	
13	1	430046	BELT 173.94" x 36.25"	COURROIE 173.94" x 36.25"	
14	38	500706	CBZ M6 X 1.0 X 20 CL8.8	CBZ M6 X 1.0 X 20 CL8.8	
15	44	506050	HEX NUT M6 X 1	ECROU NYLON M6 X 1	
16	1	090-CON-387	ANGLE SUPPORT	RENFORT À ANGLE	
17	1	090-CON-386	FLAT SUPPORT	RENFORT PLAT	
18	5	500705	CARRIAGE BOLT M10 X 1.50 X 30 CL4.6	BOULON CARROSSERIE M10 X 1.50 X 30 CL4.6	
19	3	502004	FLAT WASHER 3/8 Z	RONDELLE PLATE 3/8 Z	
20	5	506039	NYLON NUT M10 X 1.5	ECROU NYLON M10 X 1.5	

CONVOYOR 8' (2.4M) / CONVOYEUR 8' (2.4M)

ITEM	QT	PART/PIECE	ENGLISH DESCRIPTION	DESCRIPTION FRANCAISE	NOTE
1	2	090-CON-029	CANVAS PLATE	PLAQUE POUR TOILE	
2	2	090-CON-342	RUBBER BELT PLATE	PLAQUE POUR COURROIE DE RUBBER	
3	2	090-CON-343	BELT PLATE	PLAQUE DE COURROIE	
4	2	090-CON-BW	HOSE SUPPORT	SUPPORT DE BOYAU	
5	1	090-CON-CO	INTER SHORT SECTION	INTER SECTION COURTE	
6	2	090-CON-CN	INTER LONG SECTION	INTER SECTION LONGUE	
7	1	250355	CANVAS 090-CON-173	TOILE GRISE 090-CON-173	
8	1	250354	CANVAS 090-CON-172	TOILE GRISE 090-CON-172	
9	2	322695	RUBBER BELT	COURROIE DE RUBBER	
10	1	325201	ALLIGATOR JOINT WASHER	RONDELLE DE JOINT ALLIGATOR	
11	4	320168	CONNECTING PIN	PIN DE CONNEXION	
12	1	250008	ALLIGATOR ATTACHE 36"	ATTACHE ALLIGATOR 36"	
13	1	430047	BELT 192.63" x 36.25"	COURROIE 192.63" x 36.25"	
14	43	500706	CBZ M6 X 1.0 X 20 CL8.8	CBZ M6 X 1.0 X 20 CL8.8	
15	49	506050	HEX NUT M6 X 1	ECROU NYLON M6 X 1	
16	1	090-CON-389	ANGLE SUPPORT	RENFORT À ANGLE	
17	1	090-CON-388	FLAT SUPPORT	SUPPORT PLAT	
18	5	500705	CARRIAGE BOLT M10 X 1.50 X 30 CL4.6	BOULON CARROSSERIE M10 X 1.50 X 30 CL4.6	
19	3	502004	FLAT WASHER 3/8 Z	RONDELLE PLATE 3/8 Z	
20	5	506039	NYLON NUT M10 X 1.5	ECROU NYLON M10 X 1.5	

19E - MOUNTING KIT BELT CONVEYOR / KIT DE MONTAGE CONVOYEUR A COURROIE

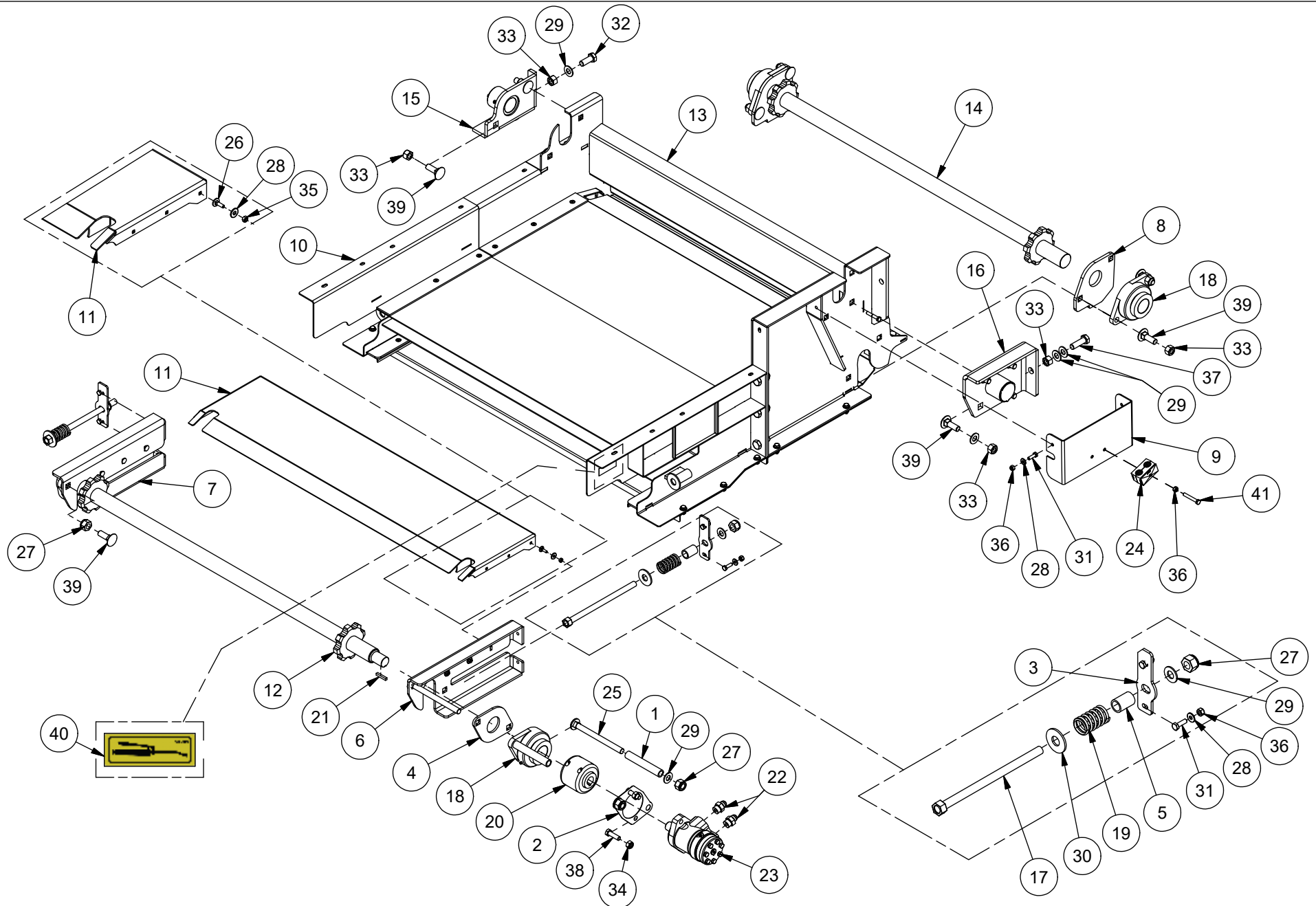


19E - MOUNTING KIT BELT CONVEYOR / KIT DE MONTAGE CONVOYEUR A COURROIE



ITEM	QT	PART/PIECE	LIVRE PIECE		NOTE
			ENGLISH DESCRIPTION	DESCRIPTION FRANCAISE	
1	1	090-CON-040	RUBBER BELT PLATE	PLAQUE POUR COURROIE DE RUBBER	
2	1	090-CON-152	SUPPORT FOR CANVAS PLATE	RENFORT POUR PLAQUE	
3	1	090-CON-349	COVER PLATE	PLAQUE DE RECOUVREMENT	
4	1	090-CON-CY	MONTED SLEEVE	COUSSINET DE MONTAGE	
5	1	090-CON-CZ	MONTED SLEEVE	COUSSINET DE MONTAGE	
6	1	090-CON-DH	COVER PLATE	PLAQUE DE RECOUVREMENT	
7	1	091-CON-010	FITTING GUARD	GARDE DE RACCORD HYDRAULIQUE	
8	1	091-CON-022	CANVAS PLATE	PLAQUE POUR TOILE	
9	1	091-CON-AD	SWIVEL ARM	BRAS POUR PIVOT	
10	1	097-CON-001	CANVAS PLATE	PLAQUE POUR TOILE	
11	1	097-CON-AB	FRAME WITH SWIVEL ARM	CHÂSSIS AVEC BRAS POUR PIVOT	
12	1	097-CON-AC	RIGHT GAUARD	GARDE CÔTÉ DROIT	
13	2	320009-3	PIPE CLAMP	SUPPORT BOYAU	
14	1	322059	SHAFT COUPLING 1 1/8" ALUMINIUM	ACCOUPEMENT A ARBRE 1 1/8" ALUMINIUM	
15	1	322063	SHAFT COUPLING 1 1/8" x 1"	ACCOUPEMENT ARBRE 1 1/8" x 1"	
16	2	322299	GREASE FITTING	GRAISSEUR	
17	1	322696	RUBBER BELT	COURROIE DE RUBBER	
18	1	404077	WARNING LOADING ARM STICKER	DECALQUE ATTENTION BRAS CHARGEMENT	
19	1	404164	CAUTION RISK OF CRUSHING STICKER	DECALQUE ATTENTION RISQUE ECRASEMENT	
21	2	450548	8 M JIC - 8 M NPT	8 M JIC - 8 M NPT	
22	2	450658	6 M.JIC - 6 M.JIC LONG	6 M.JIC - 6 M.JIC LONG	
23	2	450659	6 M.JIC - 6 M.JIC LONG	6 M.JIC - 6 M.JIC LONG	
24	2	450897	NUT FOR HYDRAULIC FITTING	ÉCROU POUR ADAPTEUR HYDRAULIQUE	
25	4	450899	BH NUT 8	BH NUT 8	
26	2	450916	8 F.JIC - 8 M.JIC	8 F.JIC - 8 M.JIC	
27	2	450973	HYDRAULIC FITTING	ADAPTEUR HYDRAULIQUE	
28	2	451026	8 F.JIC - 8 M.NPT 90°	8 F.JIC - 8 M.NPT 90°	
29	1	451171	6 M.JIC- 6M.ORB	6 M.JIC- 6M.ORB	
30	2	451260	6 M.JIC - 6 M.ORB 90°	6 M.JIC - 6 M.ORB 90°	
31	1	451409	6 M.ORB - 6 F.JIC 90°	6 M.ORB - 6 F.JIC 90°	
32	2	451457	8 M.JIC - 8 M.NPT	8 M.JIC - 8 M.NPT	
33	4	452000	1/2 QUICK COUPLER NPTM	RACCORD RAPIDE 1/2 NPTM	
34	1	465879	CHECK VALVE	VALVE ANTI-RETOUR	
35	2	466409	FLOW CONTROL 1/2" NPT	CONTROL DE DÉBIT 1/2" NPT	
36	1	466989	HYDRAULIC VALVE	VALVE HYDRAULIQUE	
37	1	467206	CYLINDER HTR 2012	CYLINDRE HTR 2012	
38	2	470051	DOUBLE HOSE HOLDER 21.3mm (0.84")	SUPPORT BOYAU DOUBLE 21.3mm (0.84")	
39	1	500336	HEX BOLT GR5 1-8 X 6 1/2 Z	BOULON HEX GR5 1-8 X 6 1/2 Z	
40	2	500700	CARRIAGE BOLT M10 X 1.50 X 25 CL4.6	BOULON CARROSSERIE M10 X 1.50 X 25 CL4.6	
41	1	500705	CARRIAGE BOLT M10 X 1.50 X 30 CL4.6	BOULON CARROSSERIE M10 X 1.50 X 30 CL4.6	
42	16	500706	CBZ M6 X 1.0 X 20 CL8.8	CBZ M6 X 1.0 X 20 CL8.8	
43	1	501037	HEX NYLON LOCKNUT GR5 1-8 Z	ÉCROU NYLON IND HEX GR5 1-8 Z	
44	2	502002	FLAT WASHER 1/4 Z	RONDELLE PLATE 1/4 Z	
45	10	502004	FLAT WASHER 3/8 Z	RONDELLE PLATE 3/8 Z	
46	8	502006	FLAT WASHER 1/2 Z-SAE	RONDELLE PLATE 1/2 Z-SAE	
47	2	502009	FLAT WASHER 3/4 Z	RONDELLE PLATE 3/4 Z	
48	2	502017	FLAT WASHER SAE 3-4 ZINC	RONDELLE PLATE SAE 3-4 ZINC	
49	2	506003	HEX. BOLT M6 X 1 X 25mm CL8.8	BOULON HEX. M6 X 1 X 25mm CL8.8	
50	4	506020	HEX. BOLT M16 X 2 X 45mm CL8.8	BOULON HEX. M16 X 2 X 45mm CL8.8	
51	4	506037	NYLON NUT M16 X 2	ECROU NYLON M16 X 2	
52	10	506039	NYLON NUT M10 X 1.5	ECROU NYLON M10 X 1.5	
53	13	506040	NYLON NUT M12 X 1.75	ECROU NYLON M12 X 1.75	
54	20	506050	HEX NUT M6 X 1	ECROU NYLON M6 X 1	
55	4	506102	HEX. BOLT M12 X 1.75 X 45mm CL8.8	BOULON HEX. M12 X 1.75 X 45mm CL8.8	
56	9	506129	HEX. BOLT M12 X 1.75 X 40mm CL8.8	BOULON HEX. M12 X 1.75 X 40mm CL8.8	
58	2	451172	6 M JIC - 8 M ORB	6 M JIC - 8 M ORB	
59	2	450574	5100-06-06 HOLE 3/64	5100-06-06 ORIFICE 3/64	

20A - COMMUN ST CHAIN CONVEYOR / CONVOYEUR À CHAÎNE ST COMMUN

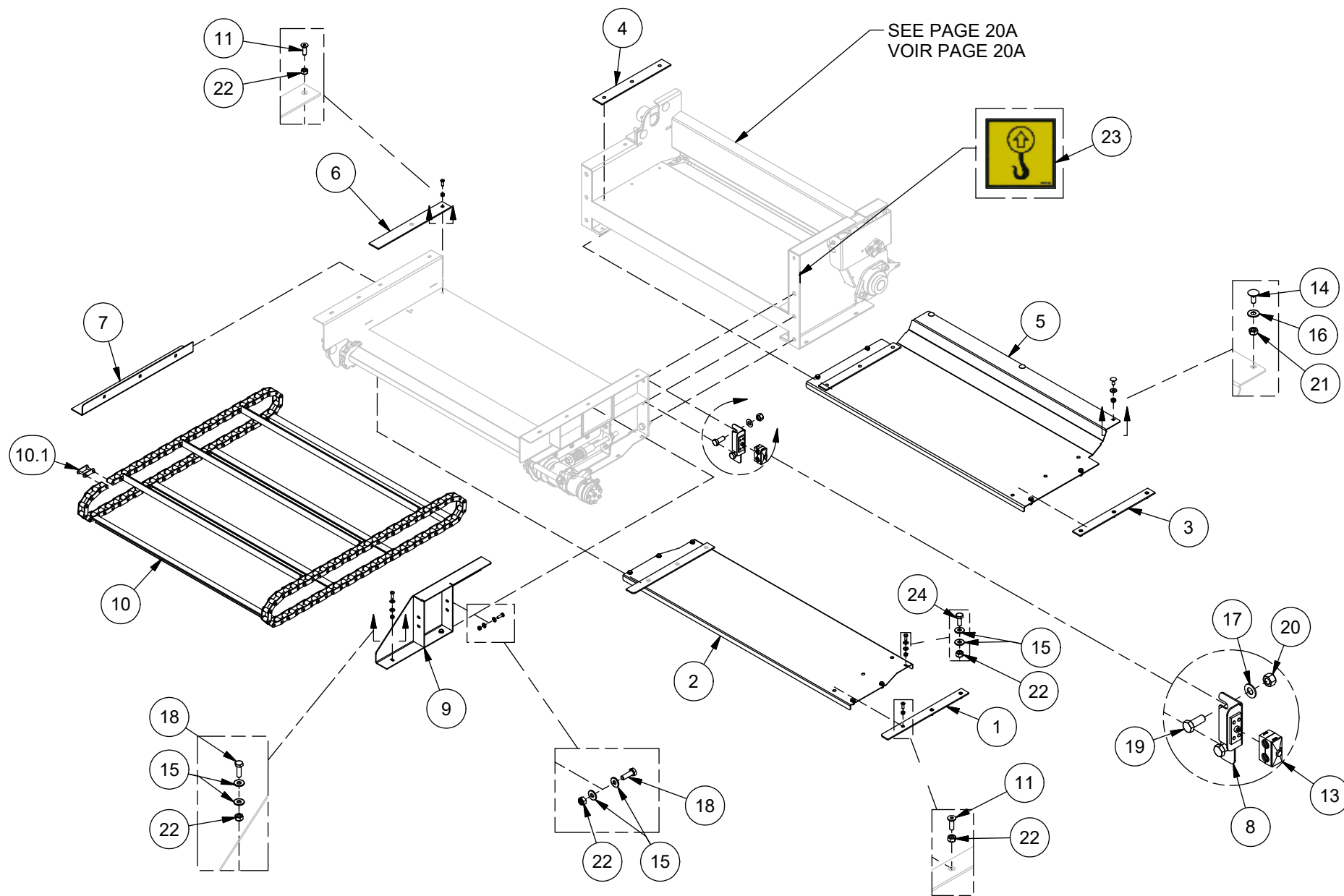


20A - COMMUN ST CHAIN CONVEYOR / CONVOYEUR À CHAÎNE ST COMMUN



ITEM	QT	PART/PIECE	ENGLISH DESCRIPTION	DESCRIPTION FRANCAISE	NOTE
1	2	090-CON-180	HYDRAULIC MOTOR LONG SPACER	ESPACEUR LONG DE MOTEUR HYDRAULIQUE	
2	1	090-CON-393	HYDRAULIC MOTOR SUPPORT	SUPPORT DE MOTEUR HYDRAULIQUE	
3	2	097-CON-111	RETAINING PLATE FOR ADJUSTMENT SCREWS	PAQUE DE RETENUE POUR VIS D'AJUSTEMENT	
4	2	097-CON-114	CHAIN CONVEYOR HEAD BEARING SPACER	ESPACEUR DE ROULEMENT TÊTE DE CONVOYEUR À CHAÎNE	
5	2	097-CON-150	ADJUSTMENT SCREW STOP	BUTÉ DE VIS D'AJUSTEMENT	
6	1	097-CON-158	LEFT AUTOMATIC TENSIONER CHAIN CONVEYOR	TENDEUR AUTOMATIQUE GAUCHE CONVOYEUR À CHAÎNE	
7	1	097-CON-158M	RIGHT AUTOMATIC TENSIONER CHAIN CONVEYOR	TENDEUR AUTOMATIQUE DROIT CONVOYEUR À CHAÎNE	
8	2	097-CON-300	CHAIN CONVEYOR FOOT BEARING SPACER	ESPACEUR DE ROULEMENT PIED DE CONVOYEUR À CHAÎNE	
9	1	097-CON-351	HOSE GUARD CHAIN CONVEYOR FD	PROTECTEUR DE TUYAUX CONVOYEUR À CHAÎNE FD	
10	1	097-CON-BO	CONVEYOR HEAD FRAME	CADRE DE CONVOYEUR DE TÊTE	
11	1	097-CON-BV	TOP AUTOMATIC TENSIONER CHAIN CONVEYOR	TENDEUR AUTOMATIQUE DESSUS CONVOYEUR À CHAÎNE	
12	1	097-CON-CA	SPROCKET SHAFT FOR INCLINED CONVEYOR HEAD	ARBRE À PIGNON POUR TÊTE DE CONVOYEUR INCLINÉ	
13	1	097-CON-DB	CONVEYOR FOOT FRAME ST	CADRE PIED CONVOYEUR ST	
14	1	097-CON-DC	SPROCKET SHAFT FOR INCLINED CONVEYOR FOOT	ARBRE À PIGNON POUR PIED DE CONVOYEUR INCLINÉ	
15	1	097-CON-DO	RIGHT PIVOT SUPPORT CHAIN CONVEYOR ST	SUPPORT PIVOT DROIT CONVOYEUR À CHAÎNE ST	
16	1	097-CON-DP	LEFT PIVOT SUPPORT CHAIN CONVEYOR ST	SUPPORT PIVOT GAUCHE CONVOYEUR À CHAÎNE S	
17	2	097-CON-DR	SCREW AUTOMATIC TENSIONER CHAIN CONVEYOR	TENDEUR AUTOMATIQUE VIS CONVOYEUR À CHAÎNE	
18	4	303048	BEARING HCFT209-28	ROULEMENT HCFT209-28	
19	2	304085	COMPRESSION SPRING 1.46 X 1.086 X 2.50	RESSORT COMPRESSION 1.46 X 1.086 X 2.50	
20	1	322062	CHAIN COUPLING	ACCOUPEMENT À CHAÎNE	
21	1	325141-1	KEY 1/4 X 1/4 X 1 1/2	CLE 1/4 X 1/4 X 1 1/2	
22	2	451179	8 M JIC - 10 M ORB	8 M JIC - 10 M ORB	
23	1	469173	HYD. MOTOR MLHP100CN4UPE+KPDR145/AP/3	MOTEUR HYD. MLHP100CN4UPE+KPDR145/AP/3	
24	3	470051	DOUBLE HOSE HOLDER 21.3mm (0.84")	SUPPORT BOYAU DOUBLE 21.3mm (0.84")	
25	2	500556	CARRIAGE BOLT	BOULON DE CARROSSERIE	
26	6	500706	CBZ M6 X 1.0 X 20 CL8.8	CBZ M6 X 1.0 X 20 CL8.8	
27	6	501035	HEX NYLON LOCKNUT GR5 5/8-11 Z	ÉCROU NYLON IND HEX GR5 5/8-11 Z	
28	31	502002	FLAT WASHER 1/4 Z	RONDELLE PLATE 1/4 Z	
29	16	502008-1	FLAT WASHER 5/8 Z-SAE	RONDELLE PLATE 5/8 Z-SAE	
30	2	502009	FLAT WASHER 3/4 Z	RONDELLE PLATE 3/4 Z	
31	9	506001	HEX. BOLT M8 X 1.25 X 25mm CL8.8	BOULON HEX. M8 X 1.25 X 25mm CL8.8	
32	8	506012	HEX. BOLT M16 X 2 X 40mm CL8.8	BOULON HEX. M16 X 2 X 40mm CL8.8	
33	19	506037	NYLON NUT M16 X 2	ECROU NYLON M16 X 2	
34	2	506040	NYLON NUT M12 X 1.75	ECROU NYLON M12 X 1.75	
35	6	506050	HEX NUT M6 X 1	ECROU NYLON M6 X 1	
36	38	506051	NYLON NUT M8 X 1.25	ECROU NYLON M8 X 1.25	
37	1	506076	HEX. BOLT M16 X 2 X 50mm CL8.8	BOULON HEX. M16 X 2 X 50mm CL8.8	
38	2	506129	HEX. BOLT M12 X 1.75 X 40mm CL8.8	BOULON HEX. M12 X 1.75 X 40mm CL8.8	
39	10	506154	CARRIAGE BOLT M16 X 2 X 50 CL8.8	CBZ M16 - 2.00 X 50MM CL8.8	
40	2	404002	LUBRICATION STICKER	DECALQUE GRAISSAGE	
41	1	506011	HEX. BOLT M8 X 1.25 X 50mm CL8.8	BOULON HEX. M8 X 1.25 X 50mm CL8.8	

20B - INCLINED ST CHAIN CONVEYOR (0.9M) / CONVOYEUR À CHAÎNE INCLINÉ ST (0.9M)



20B - INCLINED ST CHAIN CONVEYOR (0.9M) / CONVOYEUR À CHAÎNE INCLINÉ ST (0.9M)

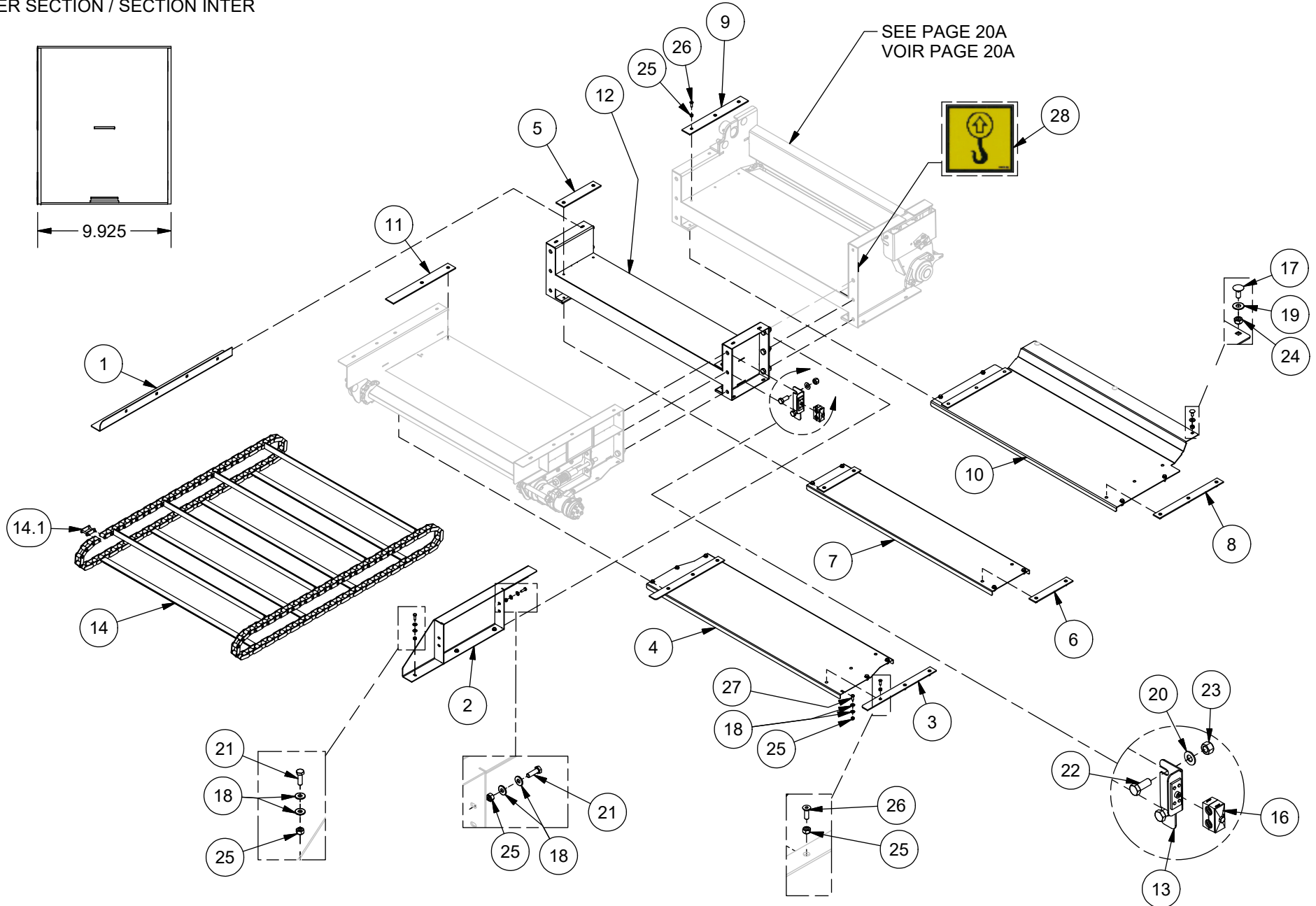


ITEM	QT	PART/PIECE	ENGLISH DESCRIPTION	DESCRIPTION FRANCAISE	NOTE
1	2	097-CON-123	BLACK UHMW UNDER CHAIN CONVEYOR HEAD	UHMW NOIR SOUS LA TÊTE DU CONVOYEUR À CHAÎNE	3/16" X 1 3/4" X 18 1/8"
2	1	097-CON-172	GUARD UNDER CHAIN CONVEYOR HEAD	GARDE SOUS LE TÊTE DU CONVOYEUR À CHAÎNE	
3	2	097-CON-301	BLACK UHMW UNDER CHAIN CONVEYOR FOOT	UHMW NOIR SOUS LE PIED DU CONVOYEUR À CHAÎNE	3/16 X 1 3/4 X 16 3/4
4	2	097-CON-302	BLACK UHMW ABOVE CHAIN CONVEYOR FOOT	UHMW NOIR DESSUS LE PIED DU CONVOYEUR À CHAÎNE	3/16 X 2 1/8 X 15 7/16
5	1	097-CON-303	GUARD UNDER CHAIN CONVEYOR FOOT	GARDE SOUS LE PIED DU CONVOYEUR À CHAÎNE	
6	2	097-CON-349	BLACK UHMW ABOVE CHAIN CONVEYOR HEAD	UHMW NOIR DESSUS LA TÊTE DU CONVOYEUR À CHAÎNE	3/16" X 2 1/8" X 16 3/8"
7	1	097-CON-543	RIGHT CONVEYOR CAPACITY EXTENSION 0.9M	REHAUSSE DE CONVOYEUR DROIT 0.9M	
8	1	097-CON-DW	HOSE HOLDER BRACKET	SUPPORT DE BOYAU	
9	1	097-CON-GY	LEFT CONVEYOR CAPACITY EXTENSION 0.9M	REHAUSSE DE CONVOYEUR GAUCHE 0.9M	
10	1	302589-1	CHAIN CONV. 56 LINK CA620 F.ANGLE	CONV. CHAÎNE 56 MAILLES CA620 F. ANGLE	
10.1	2	302583	CA620 CONNECTING LINK	MAILLE PATENTE CA620 CONNECT LINK	
11	22	507052-1	HEX FLAT SOCKET HEAD BOLT M8 X 1.25 - 25	BOULON TÊTE CREUSE PLATE HEX M8 X 1.25 - 25	
13	2	470051	DOUBLE HOSE HOLDER 21.3mm (0.84")	SUPPORT BOYAU DOUBLE 21.3mm (0.84")	
14	3	500700	CARRIAGE BOLT M10 X 1.50 X 25 CL4.6	BOULON CAROSSERIE M10 X 1.50 X 25 CL4.6	
15	43	502002	FLAT WASHER 1/4 Z	RONDELLE PLATE 1/4 Z	
16	3	502004	FLAT WASHER 3/8 Z	RONDELLE PLATE 3/8 Z	
17	16	502008-1	FLAT WASHER 5/8 Z-SAE	RONDELLE PLATE 5/8 Z-SAE	
18	15	506001	HEX. BOLT M8 X 1.25 X 25mm CL8.8	BOULON HEX. M8 X 1.25 X 25mm CL8.8	
19	8	506012	HEX. BOLT M16 X 2 X 40mm CL8.8	BOULON HEX. M16 X 2 X 40mm CL8.8	
20	19	506037	NYLON NUT M16 X 2	ECROU NYLON M16 X 2	
21	3	506039	NYLON NUT M10 X 1.5	ECROU NYLON M10 X 1.5	
22	43	506051	NYLON NUT M8 X 1.25	ECROU NYLON M8 X 1.25	
23	2	404063	HANG HERE STICKER	DÉCALQUE ACCROCHEZ ICI	
24	6	506000	HEX. BOLT M8 X 1.25 X 20mm CL8.8	BOULON HEX. M8 X 1.25 X 20mm CL8.8	

20C - INCLINED ST CHAIN CONVEYOR (1.2M) / CONVOYEUR À CHAÎNE INCLINÉ ST (1.2M)



INTER SECTION / SECTION INTER



20C - INCLINED ST CHAIN CONVEYOR (1.2M) / CONVOYEUR À CHAÎNE INCLINÉ ST (1.2M)

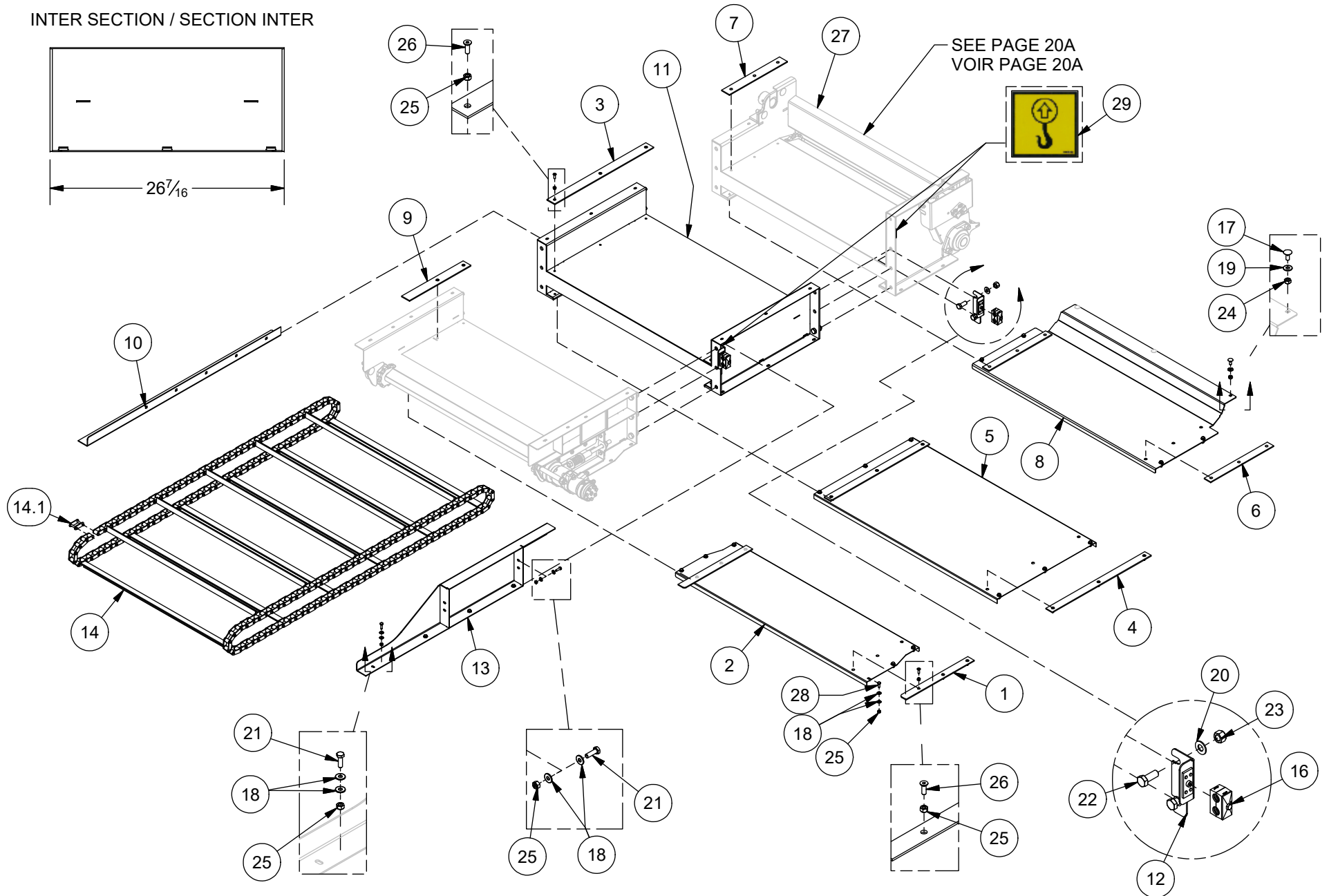
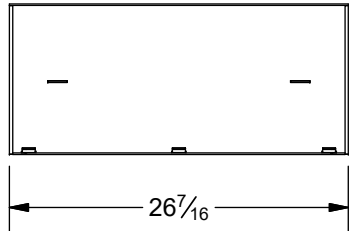


ITEM	QT	PART/PIECE	ENGLISH DESCRIPTION	DESCRIPTION FRANCAISE	NOTE
1	1	097-CON-541	RIGHT CONVEYOR CAPACITY EXTENSION 1.2M	REHAUSSE DE CONVOYEUR DROIT 1.2M	
2	1	097-CON-GU	LEFT CONVEYOR CAPACITY EXTENSION 1.2M	REHAUSSE DE CONVOYEUR GAUCHE 1.2M	
3	2	097-CON-123	BLACK UHMW UNDER CHAIN CONVEYOR HEAD	UHMW NOIR SOUS LA TÊTE DU CONVOYEUR À CHAÎNE	3/16" X 1 3/4" X 18 1/8"
4	1	097-CON-172	GUARD UNDER CHAIN CONVEYOR HEAD	GARDE SOUS LE TÊTE DU CONVOYEUR À CHAÎNE	
5	2	097-CON-265	BLACK UHMW ABOVE CHAIN CONVEYOR INTER 1.2M	UHMW NOIR DESSUS DU CONVOYEUR À CHAÎNE INTER 1.2M	3/16" X 2 1/8" X 9 3/4"
6	2	097-CON-266	BLACK UHMW UNDER CHAIN CONVEYOR INTER 1.2M	UHMW NOIR SOUS LE CONVOYEUR À CHAÎNE INTER 1.2M	3/16" X 1 3/4" X 9 3/4"
7	1	097-CON-267	GUARD UNDER CHAIN CONVEYOR INTER 1.2M	GARDE SOUS LE CONVOYEUR À CHAÎNE INTER 1.2M	
8	2	097-CON-301	BLACK UHMW UNDER CHAIN CONVEYOR FOOT	UHMW NOIR SOUS LE PIED DU CONVOYEUR À CHAÎNE	3/16 X 1 3/4 X 16 3/4
9	2	097-CON-302	BLACK UHMW ABOVE CHAIN CONVEYOR FOOT	UHMW NOIR DESSUS LE PIED DU CONVOYEUR À CHAÎNE	3/16 X 2 1/8 X 15 7/16
10	1	097-CON-303	GUARD UNDER CHAIN CONVEYOR FOOT	GARDE SOUS LE PIED DU CONVOYEUR À CHAÎNE	
11	2	097-CON-349	BLACK UHMW ABOVE CHAIN CONVEYOR HEAD	UHMW NOIR DESSUS LA TÊTE DU CONVOYEUR À CHAÎNE	3/16" X 2 1/8" X 16 3/8"
12	1	097-CON-CJ	INTER 1.2M CONVEYOR FRAME	CADRE DE CONVOYEUR INTER 1.2M	
13	1	097-CON-DW	HOSE HOLDER BRACKET	SUPPORT DE BOYAU	
14	1	302588-1	CHAIN CONV. 68 MAILLES CA620 F. ANGLE	CONV. CHAÎNE 68 MAILLES CA620 F. ANGLE	
14.1	2	302583	CA620 CONNECTING LINK	MAILLE PATENTE CA620 CONNECT LINK	
16	2	470051	DOUBLE HOSE HOLDER 21.3mm (0.84")	SUPPORT BOYAU DOUBLE 21.3mm (0.84")	
17	3	500700	CARRIAGE BOLT M10 X 1.50 X 25 CL4.6	BOULON CARROSSERIE M10 X 1.50 X 25 CL4.6	
18	55	502002	FLAT WASHER 1/4 Z	RONDELLE PLATE 1/4 Z	
19	3	502004	FLAT WASHER 3/8 Z	RONDELLE PLATE 3/8 Z	
20	18	502008-1	FLAT WASHER 5/8 Z-SAE	RONDELLE PLATE 5/8 Z-SAE	
21	17	506001	HEX. BOLT M8 X 1.25 X 25mm CL8.8	BOULON HEX. M8 X 1.25 X 25mm CL8.8	
22	14	506012	HEX. BOLT M16 X 2 X 40mm CL8.8	BOULON HEX. M16 X 2 X 40mm CL8.8	
23	25	506037	NYLON NUT M16 X 2	ECROU NYLON M16 X 2	
24	3	506039	NYLON NUT M10 X 1.5	ECROU NYLON M10 X 1.5	
25	57	506051	NYLON NUT M8 X 1.25	ECROU NYLON M8 X 1.25	
26	30	507052-1	HEX FLAT SOCKET HEAD BOLT M8 X 1,25 - 25	BOULON TÊTE CREUSE PLATE HEX M8 X 1,25 - 25	
27	10	506000	HEX. BOLT M8 X 1.25 X 20mm CL8.8	BOULON HEX. M8 X 1.25 X 20mm CL8.8	
28	2	404063	HANG HERE STICKER	DÉCALQUE ACCROCHEZ ICI	

20D - INCLINED ST CHAIN CONVEYOR (1.5M) / CONVOYEUR À CHAÎNE INCLINÉ ST (1.5M)



INTER SECTION / SECTION INTER



20D - INCLINED ST CHAIN CONVEYOR (1.5M) / CONVOYEUR À CHAÎNE INCLINÉ ST (1.5M)

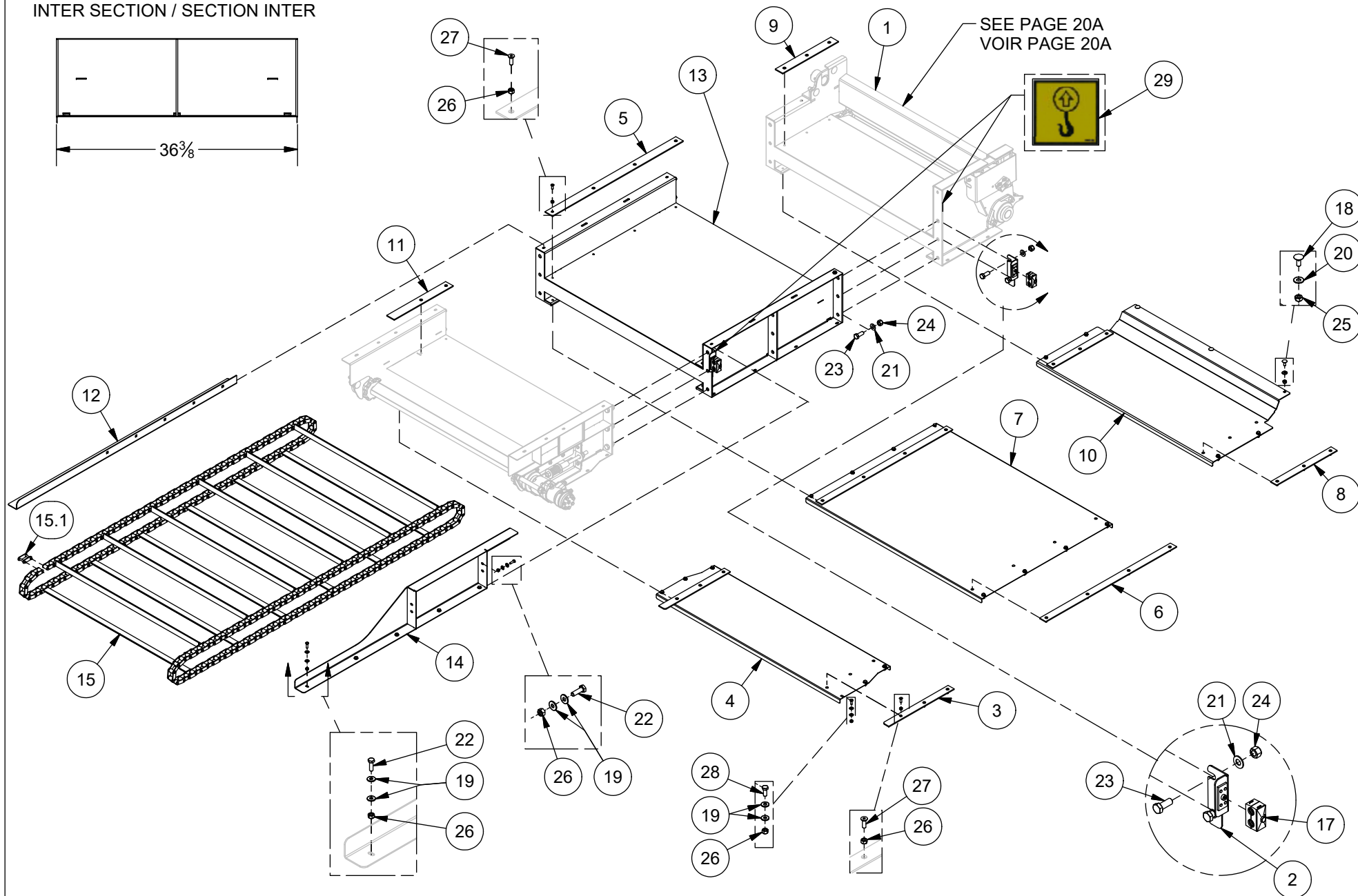
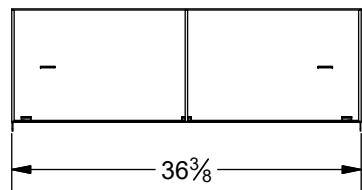


ITEM	QT	PART/PIECE	ENGLISH DESCRIPTION	DESCRIPTION FRANCAISE	NOTE
1	2	097-CON-123	BLACK UHMW UNDER CHAIN CONVEYOR HEAD	UHMW NOIR SOUS LA TÊTE DU CONVOYEUR À CHAÎNE	3/16" X 1 3/4" X 18 1/8"
2	1	097-CON-172	GUARD UNDER CHAIN CONVEYOR HEAD	GARDE SOUS LE TÊTE DU CONVOYEUR À CHAÎNE	
3	2	097-CON-250	BLACK UHMW ABOVE CHAIN CONVEYOR INTER 1.5M	UHMW NOIR DESSUS DU CONVOYEUR À CHAÎNE INTER 1.5M	3/16" X 2 1/8" X 26 1/4
4	2	097-CON-251	BLACK UHMW UNDER CHAIN CONVEYOR INTER 1.5M	UHMW NOIR SOUS LE CONVOYEUR À CHAÎNE INTER 1.5M	3/16" X 1 3/4" X 26 1/4"
5	1	097-CON-252	GUARD UNDER CHAIN CONVEYOR INTER 1.5M	GARDE SOUS LE CONVOYEUR À CHAÎNE INTER 1.5M	
6	2	097-CON-301	BLACK UHMW UNDER CHAIN CONVEYOR FOOT	UHMW NOIR SOUS LE PIED DU CONVOYEUR À CHAÎNE	3/16 X 1 3/4 X 16 3/4
7	2	097-CON-302	BLACK UHMW ABOVE CHAIN CONVEYOR FOOT	UHMW NOIR DESSUS LE PIED DU CONVOYEUR À CHAÎNE	3/16 X 2 1/8 X 15 7/16
8	1	097-CON-303	GUARD UNDER CHAIN CONVEYOR FOOT	GARDE SOUS LE PIED DU CONVOYEUR À CHAÎNE	
9	2	097-CON-349	BLACK UHMW ABOVE CHAIN CONVEYOR HEAD	UHMW NOIR DESSUS LA TÊTE DU CONVOYEUR À CHAÎNE	3/16" X 2 1/8" X 16 3/8"
10	1	097-CON-539	RIGHT CONVEYOR CAPACITY EXTENSION 1.5M	REHAUSSE DE CONVOYEUR GAUCHE 1.5M	
11	1	097-CON-CH	INTER 1.5M CONVEYOR FRAME	CADRE DE CONVOYEUR INTER 1.5M	
12	2	097-CON-DW	HOSE HOLDER BRACKET	SUPPORT DE BOYAU	
13	1	097-CON-GQ	LEFT CONVEYOR CAPACITY EXTENSION 1.5M	REHAUSSE DE CONVOYEUR GAUCHE 1.5M	
14	1	302587-1	CONV. CHAIN 88 LINK CA 620 F. ANGLE	CHAÎNE CONV. 88 MAILLES CA620 F.ANGLE	
14.1	2	302583	CA620 CONNECTING LINK	MAILLE PATENTE CA620 CONNECT LINK	
16	3	470051	DOUBLE HOSE HOLDER 21.3mm (0.84")	SUPPORT BOYAU DOUBLE 21.3mm (0.84")	
17	3	500700	CARRIAGE BOLT M10 X 1.50 X 25 CL4.6	BOULON CAROSSERIE M10 X 1.50 X 25 CL4.6	
18	62	502002	FLAT WASHER 1/4 Z	RONDELLE PLATE 1/4 Z	
19	3	502004	FLAT WASHER 3/8 Z	RONDELLE PLATE 3/8 Z	
20	18	502008-1	FLAT WASHER 5/8 Z-SAE	RONDELLE PLATE 5/8 Z-SAE	
21	19	506001	HEX. BOLT M8 X 1.25 X 25mm CL8.8	BOULON HEX. M8 X 1.25 X 25mm CL8.8	
22	14	506012	HEX. BOLT M16 X 2 X 40mm CL8.8	BOULON HEX. M16 X 2 X 40mm CL8.8	
23	25	506037	NYLON NUT M16 X 2	ECROU NYLON M16 X 2	
24	3	506039	NYLON NUT M10 X 1.5	ECROU NYLON M10 X 1.5	
25	65	506051	NYLON NUT M8 X 1.25	ECROU NYLON M8 X 1.25	
26	34	507052-1	HEX FLAT SOCKET HEAD BOLT M8 X 1,25 - 25	BOULON TÊTE CREUSE PLATE HEX M8 X 1,25 - 25	
27	1	097-CON-DB	CONVEYOR FOOT FRAME ST	CADRE PIED CONVOYEUR ST	
28	12	506000	HEX. BOLT M8 X 1.25 X 20mm CL8.8	BOULON HEX. M8 X 1.25 X 20mm CL8.8	
29	2	404063	HANG HERE STICKER	DÉCALQUE ACCROCHEZ ICI	

20E - INCLINED ST CHAIN CONVEYOR (1.8M) / CONVOYEUR À CHAÎNE INCLINÉ ST (1.8M)



INTER SECTION / SECTION INTER



20E - INCLINED ST CHAIN CONVEYOR (1.8M) / CONVOYEUR À CHAÎNE INCLINÉ ST (1.8M)

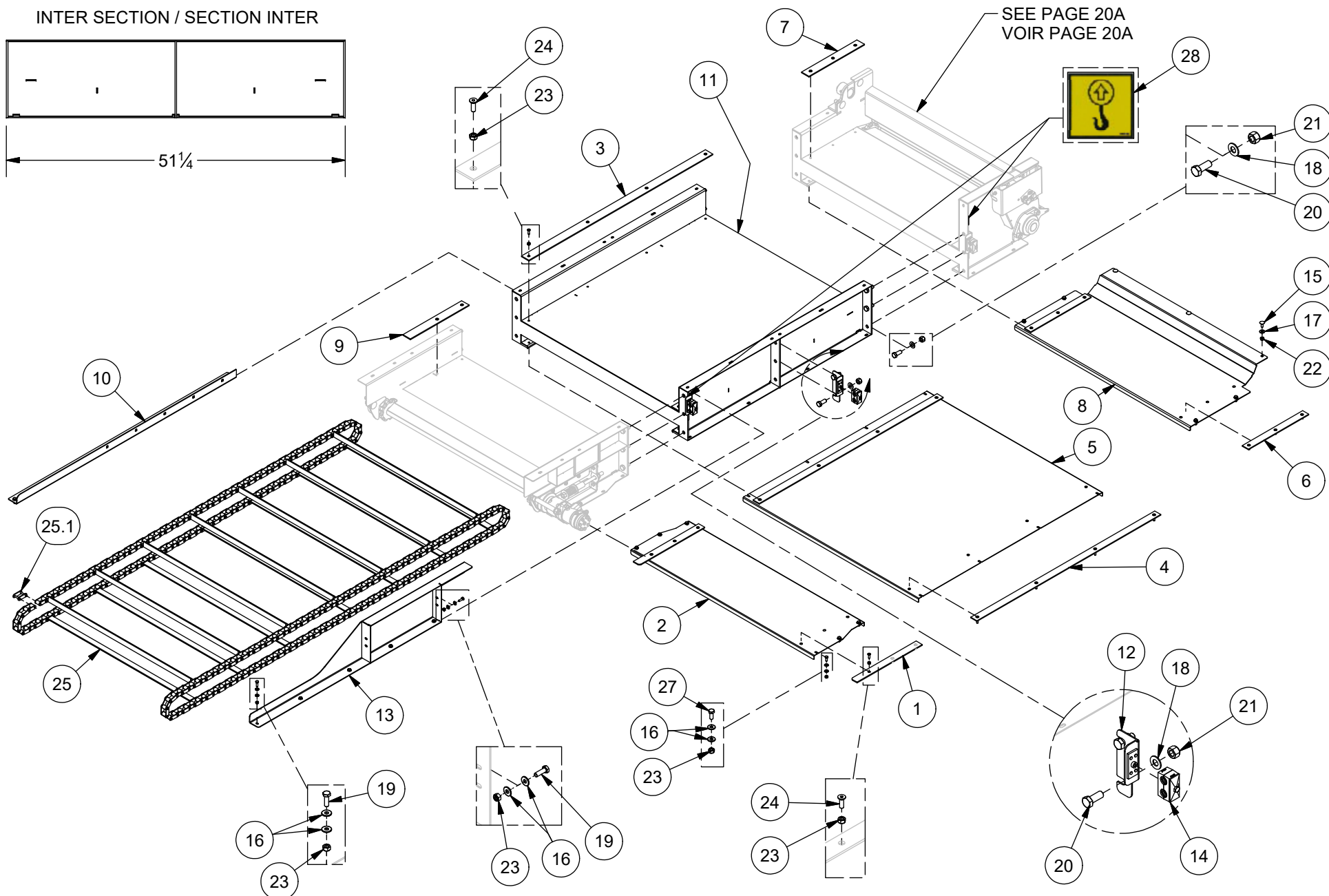
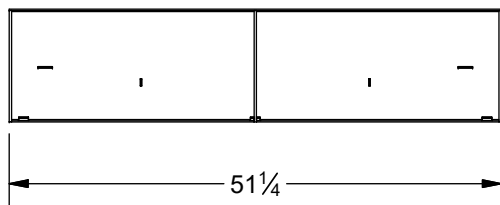


ITEM	QT	PART/PIECE	ENGLISH DESCRIPTION	DESCRIPTION FRANCAISE	NOTE
1	1	097-CON-DB	CONVEYOR FOOT FRAME ST	CADRE PIED CONVOYEUR ST	
2	2	097-CON-354	HOSE HOLDER BRACKET	SUPPORT DE BOYAU	
3	2	097-CON-123	BLACK UHMW UNDER CHAIN CONVEYOR HEAD	UHMW NOIR SOUS LA TÊTE DU CONVOYEUR À CHAÎNE	3/16" X 1 3/4" X 18 1/8"
4	1	097-CON-172	GUARD UNDER CHAIN CONVEYOR HEAD	GARDE SOUS LE TÊTE DU CONVOYEUR À CHAÎNE	
5	2	097-CON-235	BLACK UHMW ABOVE CHAIN CONVEYOR INTER 1.8M	UHMW NOIR DESSUS DU CONVOYEUR À CHAÎNE INTER 1.8M	3/16" X 2 1/8" X 36 1/4"
6	2	097-CON-236	BLACK UHMW UNDER CHAIN CONVEYOR INTER 1.8M	UHMW NOIR SOUS LE CONVOYEUR À CHAÎNE INTER 1.8M	3/16" X 1 3/4" X 36 1/4"
7	1	097-CON-237	GUARD UNDER CHAIN CONVEYOR INTER 1.8M	GARDE SOUS LE CONVOYEUR À CHAÎNE INTER 1.8M	
8	2	097-CON-301	BLACK UHMW UNDER CHAIN CONVEYOR FOOT	UHMW NOIR SOUS LE PIED DU CONVOYEUR À CHAÎNE	3/16 X 1 3/4 X 16 3/4
9	2	097-CON-302	BLACK UHMW ABOVE CHAIN CONVEYOR FOOT	UHMW NOIR DESSUS LE PIED DU CONVOYEUR À CHAÎNE	3/16 X 2 1/8 X 15 7/16
10	1	097-CON-303	GUARD UNDER CHAIN CONVEYOR FOOT	GARDE SOUS LE PIED DU CONVOYEUR À CHAÎNE	
11	2	097-CON-349	BLACK UHMW ABOVE CHAIN CONVEYOR HEAD	UHMW NOIR DESSUS LA TÊTE DU CONVOYEUR À CHAÎNE	3/16" X 2 1/8" X 16 3/8"
12	1	097-CON-537	RIGHT CONVEYOR CAPACITY EXTENSION 1.8M	REHAUSSE DE CONVOYEUR DROIT 1.8M	
13	1	097-CON-CF	INTER 1.8M CONVEYOR FRAME	CADRE DE CONVOYEUR INTER 1.8M	
14	1	097-CON-GM	LEFT CONVEYOR CAPACITY EXTENSION 1.8M	REHAUSSE DE CONVOYEUR GAUCHE 1.8M	
15	1	302586-1	CONV. CHAIN 100 LINK CA620 F.ANGLE	CHAÎNE CONV. 100 MAILLES CA620 F.ANGLE	
15.1	2	302583	CA620 CONNECTING LINK	MAILLE PATENTE CA620 CONNECT LINK	
17	3	470051	DOUBLE HOSE HOLDER 21.3mm (0.84")	SUPPORT BOYAU DOUBLE 21.3mm (0.84")	
18	3	500700	CARRIAGE BOLT M10 X 1.50 X 25 CL4.6	BOULON CARROSSERIE M10 X 1.50 X 25 CL4.6	
19	72	502002	FLAT WASHER 1/4 Z	RONDELLE PLATE 1/4 Z	
20	3	502004	FLAT WASHER 3/8 Z	RONDELLE PLATE 3/8 Z	
21	18	502008-1	FLAT WASHER 5/8 Z-SAE	RONDELLE PLATE 5/8 Z-SAE	
22	22	506001	HEX. BOLT M8 X 1.25 X 25mm CL8.8	BOULON HEX. M8 X 1.25 X 25mm CL8.8	
23	14	506012	HEX. BOLT M16 X 2 X 40mm CL8.8	BOULON HEX. M16 X 2 X 40mm CL8.8	
24	25	506037	NYLON NUT M16 X 2	ECROU NYLON M16 X 2	
25	3	506039	NYLON NUT M10 X 1.5	ECROU NYLON M10 X 1.5	
26	73	506051	NYLON NUT M8 X 1.25	ECROU NYLON M8 X 1.25	
27	38	507052-1	HEX FLAT SOCKET HEAD BOLT M8 X 1,25 - 25	BOULON TÊTE CREUSE PLATE HEX M8 X 1,25 - 25	
28	14	506000	HEX. BOLT M8 X 1.25 X 20mm CL8.8	BOULON HEX. M8 X 1.25 X 20mm CL8.8	
29	2	404063	HANG HERE STICKER	DÉCALQUE ACCROCHEZ ICI	

20F - INCLINED ST CHAIN CONVEYOR (2.1M) / CONVOYEUR À CHAÎNE INCLINÉ ST (2.1M)



INTER SECTION / SECTION INTER



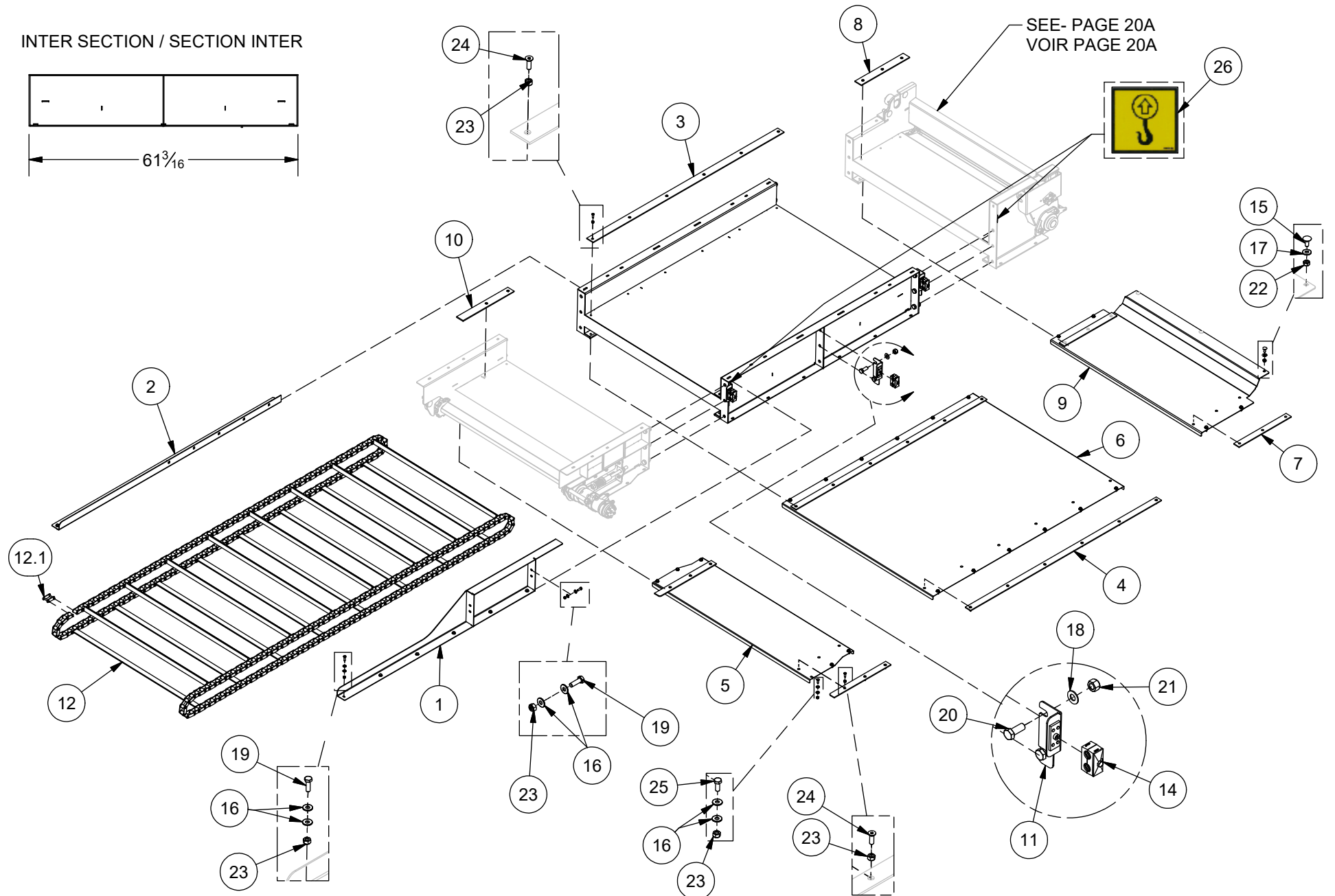
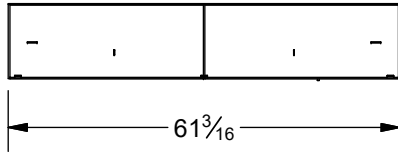
20F - INCLINED ST CHAIN CONVEYOR (2.1M) / CONVOYEUR À CHAÎNE INCLINÉ ST (2.1M)



ITEM	QT	PART/PIECE	ENGLISH DESCRIPTION	DESCRIPTION FRANCAISE	NOTE
1	2	097-CON-123	BLACK UHMW UNDER CHAIN CONVEYOR HEAD	UHMW NOIR SOUS LA TÊTE DU CONVOYEUR À CHAÎNE	3/16" X 1 3/4" X 18 1/8"
2	1	097-CON-172	GUARD UNDER CHAIN CONVEYOR HEAD	GARDE SOUS LE TÊTE DU CONVOYEUR À CHAÎNE	
3	2	097-CON-220	BLACK UHMW UNDER CHAIN CONVEYOR INTER 2.1M	UHMW NOIR DESSUS DU CONVOYEUR À CHAÎNE INTER 2.1M	3/16" X 2 1/8" X 51 1/8"
4	2	097-CON-221	BLACK UHMW UNDER CHAIN CONVEYOR INTER 2.1M	UHMW NOIR SOUS LE CONVOYEUR À CHAÎNE INTER 2.1M	3/16" X 1 3/4" X 51 1/8"
5	1	097-CON-222	GUARD UNDER CHAIN CONVEYOR INTER 2.1M	GARDE SOUS LE CONVOYEUR À CHAÎNE INTER 2.1M	
6	2	097-CON-301	BLACK UHMW UNDER CHAIN CONVEYOR FOOT	UHMW NOIR SOUS LE PIED DU CONVOYEUR À CHAÎNE	3/16 X 1 3/4 X 16 3/4
7	2	097-CON-302	BLACK UHMW ABOVE CHAIN CONVEYOR FOOT	UHMW NOIR DESSUS LE PIED DU CONVOYEUR À CHAÎNE	3/16 X 2 1/8 X 15 7/16
8	1	097-CON-303	GUARD UNDER CHAIN CONVEYOR FOOT	GARDE SOUS LE PIED DU CONVOYEUR À CHAÎNE	
9	2	097-CON-349	BLACK UHMW ABOVE CHAIN CONVEYOR HEAD	UHMW NOIR DESSUS LA TÊTE DU CONVOYEUR À CHAÎNE	3/16" X 2 1/8" X 16 3/8"
10	1	097-CON-534	RIGHT CONVEYOR CAPACITY EXTENSION 2.1M	REHAUSSE DE CONVOYEUR DROIT 2.1M	
11	1	097-CON-CD	INTER 2.1M CONVEYOR FRAME	CADRE DE CONVOYEUR INTER 2.1M	
12	3	097-CON-DW	HOSE HOLDER BRACKET	SUPPORT DE BOYAU	
13	1	097-CON-GI	LEFT CONVEYOR CAPACITY EXTENSION 2.1M	REHAUSSE DE CONVOYEUR GAUCHE 2.1M	
14	4	470051	DOUBLE HOSE HOLDER 21.3mm (0.84")	SUPPORT BOYAU DOUBLE 21.3mm (0.84")	
15	3	500700	CARRIAGE BOLT M10 X 1.50 X 25 CL4.6	BOULON CAROSSERIE M10 X 1.50 X 25 CL4.6	
16	63	502002	FLAT WASHER 1/4 Z	RONDELLE PLATE 1/4 Z	
17	3	502004	FLAT WASHER 3/8 Z	RONDELLE PLATE 3/8 Z	
18	20	502008-1	FLAT WASHER 5/8 Z-SAE	RONDELLE PLATE 5/8 Z-SAE	
19	21	506001	HEX. BOLT M8 X 1.25 X 25mm CL8.8	BOULON HEX. M8 X 1.25 X 25mm CL8.8	
20	16	506012	HEX. BOLT M16 X 2 X 40mm CL8.8	BOULON HEX. M16 X 2 X 40mm CL8.8	
21	27	506037	NYLON NUT M16 X 2	ECROU NYLON M16 X 2	
22	3	506039	NYLON NUT M10 X 1.5	ECROU NYLON M10 X 1.5	
23	75	506051	NYLON NUT M8 X 1.25	ECROU NYLON M8 X 1.25	
24	30	507052-1	HEX FLAT SOCKET HEAD BOLT M8 X 1,25 - 25	BOULON TÊTE CREUSE PLATE HEX M8 X 1,25 - 25	
25	1	302585-1	CONV.CHAIN 118 LINK CA620 F.ANGLE	CHAÎNE CONV. 118 MAILLES CA620 F.ANGLE	
25.1	2	302583	CA620 CONNECTING LINK	MAILLE PATENTE CA620 CONNECT LINK	
27	6	506000	HEX. BOLT M8 X 1.25 X 20mm CL8.8	BOULON HEX. M8 X 1.25 X 20mm CL8.8	
28	2	404063	HANG HERE STICKER	DÉCALQUE ACCROCHEZ ICI	

20G - INCLINED ST CHAIN CONVEYOR (2.4M) / CONVOYEUR À CHAÎNE INCLINÉ ST (2.4M)

INTER SECTION / SECTION INTER

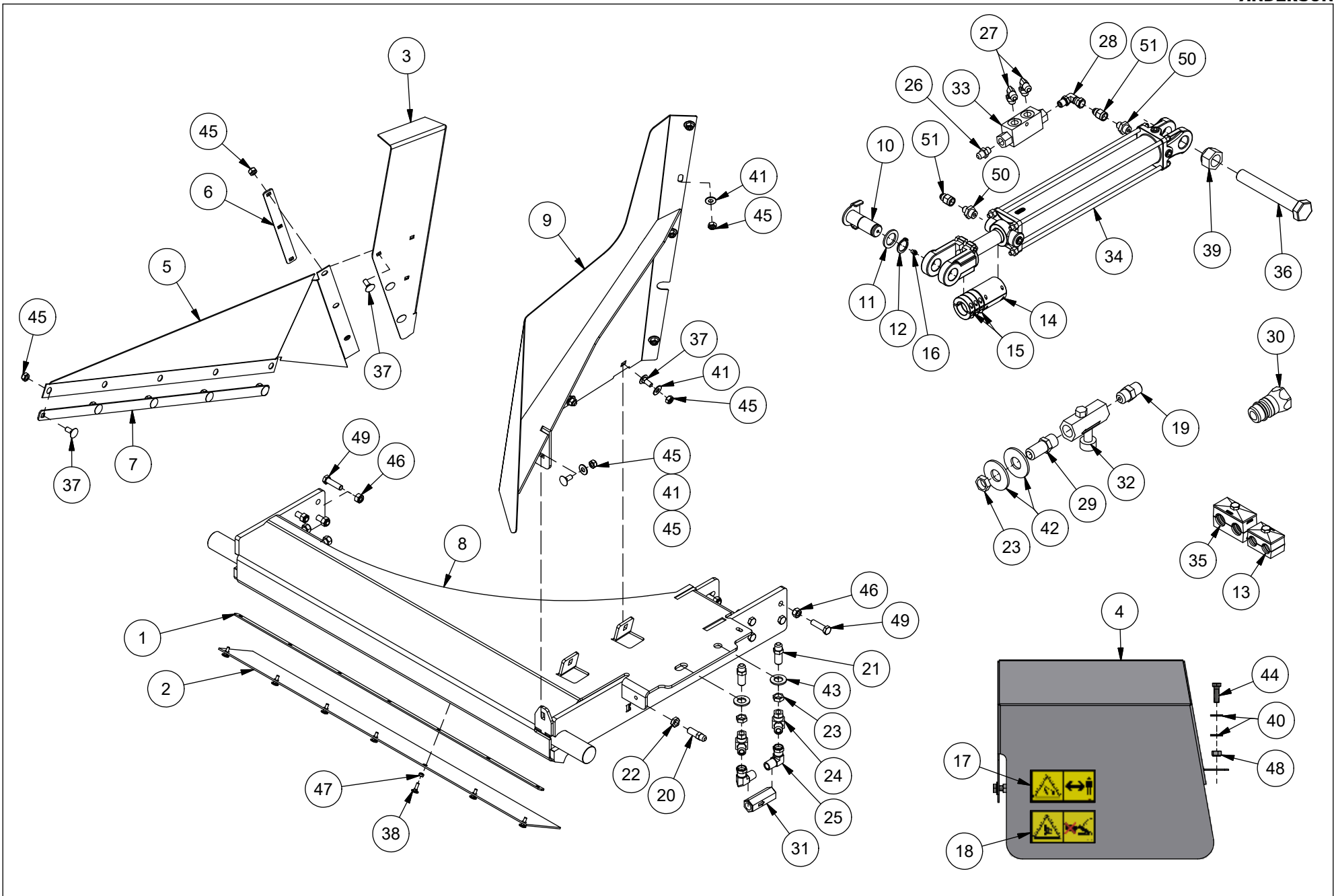


20G - INCLINED ST CHAIN CONVEYOR (2.4M) / CONVOYEUR À CHAÎNE INCLINÉ ST (2.4M)



ITEM	QT	PART/PIECE	ENGLISH DESCRIPTION	DESCRIPTION FRANCAISE	NOTE
1	1	097-CON-DX	LEFT CONVEYOR CAPACITY EXTENSION 2.4M	REHAUSSE DE CONVOYEUR GAUCHE 2.4M	
2	1	097-CON-341	RIGHT CONVEYOR CAPACITY EXTENSION 2.4M	REHAUSSE DE CONVOYEUR DROIT 2.4M	
3	2	097-CON-121	BLACK UHMW ABOVE CHAIN CONVEYOR INTER 2.4M	UHMW NOIR DESSUS DU CONVOYEUR À CHAÎNE INTER 2.4M	3/16" X 2 1/8" X 61"
4	2	097-CON-140	BLACK UHMW UNDER CHAIN CONVEYOR INTER 2.4M	UHMW NOIR SOUS LE CONVOYEUR À CHAÎNE INTER 2.4M	3/16" X 1 3/4" X 61"
5	1	097-CON-172	GUARD UNDER CHAIN CONVEYOR HEAD	GARDE SOUS LE TÊTE DU CONVOYEUR À CHAÎNE	
6	1	097-CON-173	GUARD UNDER CHAIN CONVEYOR INTER 2.4M	GARDE SOUS LE CONVOYEUR À CHAÎNE INTER 2.4M	
7	2	097-CON-301	BLACK UHMW UNDER CHAIN CONVEYOR FOOT	UHMW NOIR SOUS LE PIED DU CONVOYEUR À CHAÎNE	3/16 X 1 3/4 X 16 3/4
8	2	097-CON-302	BLACK UHMW ABOVE CHAIN CONVEYOR FOOT	UHMW NOIR DESSUS LE PIED DU CONVOYEUR À CHAÎNE	3/16 X 2 1/8 X 15 7/16
9	1	097-CON-303	GUARD UNDER CHAIN CONVEYOR FOOT	GARDE SOUS LE PIED DU CONVOYEUR À CHAÎNE	
10	2	097-CON-349	BLACK UHMW ABOVE CHAIN CONVEYOR HEAD	UHMW NOIR DESSUS LA TÊTE DU CONVOYEUR À CHAÎNE	3/16" X 2 1/8" X 16 3/8"
11	3	097-CON-DW	HOSE HOLDER BRACKET	SUPPORT DE BOYAU	
12	1	097-CON-DT	CHAIN CONV. 130 LINK CA620 F. ANGLE	CONV.CHAIN 130 MAILLES CA620 F. ANGLE	
12.1	2	302583	CA620 CONNECTING LINK	MAILLE PATENTE CA620 CONNECT LINK	
14	4	470051	DOUBLE HOSE HOLDER 21.3mm (0.84")	SUPPORT BOYAU DOUBLE 21.3mm (0.84")	
15	3	500700	CARRIAGE BOLT M10 X 1.50 X 25 CL4.6	BOULON CAROSSERIE M10 X 1.50 X 25 CL4.6	
16	83	502002	FLAT WASHER 1/4 Z	RONDELLE PLATE 1/4 Z	
17	3	502004	FLAT WASHER 3/8 Z	RONDELLE PLATE 3/8 Z	
18	20	502008-1	FLAT WASHER 5/8 Z-SAE	RONDELLE PLATE 5/8 Z-SAE	
19	23	506001	HEX. BOLT M8 X 1.25 X 25mm CL8.8	BOULON HEX. M8 X 1.25 X 25mm CL8.8	
20	16	506012	HEX. BOLT M16 X 2 X 40mm CL8.8	BOULON HEX. M16 X 2 X 40mm CL8.8	
21	27	506037	NYLON NUT M16 X 2	ECROU NYLON M16 X 2	
22	3	506039	NYLON NUT M10 X 1.5	ECROU NYLON M10 X 1.5	
23	87	506051	NYLON NUT M8 X 1.25	ECROU NYLON M8 X 1.25	
24	46	507052-1	HEX FLAT SOCKET HEAD BOLT M8 X 1,25 - 25	BOULON TÊTE CREUSE PLATE HEX M8 X 1,25 - 25	
25	18	506000	HEX. BOLT M8 X 1.25 X 20mm CL8.8	BOULON HEX. M8 X 1.25 X 20mm CL8.8	
26	2	404063	HANG HERE STICKER	DÉCALQUE ACCROCHEZ ICI	

20H - MOUTING KIT (CHAIN) / KIT DE MONTAGE (CHAINE)



20H - MOUTING KIT (CHAIN) / KIT DE MONTAGE (CHAINE)

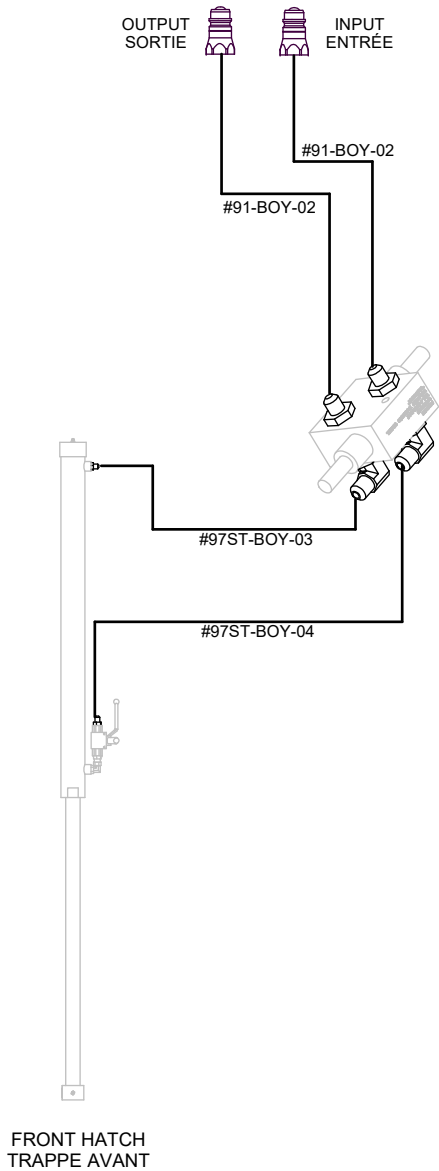


ITEM	QT	PART/PIECE	ENGLISH DESCRIPTION	DESCRIPTION FRANCAISE	NOTE
1	1	097-CON-336	CANVAS PLATE	PLAQUE POUR TOILE	
2	1	097-CON-337	RUBBER BELT	COURROIE DE RUBBER	
3	1	097-CON-339	CANVAS PLATE	PLAQUE POUR TOILE	
4	1	097-CON-353	FITTING GUARD	GARDE DE RACCORD HYDRAULIQUE	
5	1	097-CON-369	CANVAS	TOILE	
6	1	097-CON-370	CANVAS PLATE	PLAQUE POUR TOILE	
7	1	097-CON-371	LONG CANVAS PLATE	LONGUE PLAQUE DE TOILE	
8	1	097-CON-DL	FRAME	CHÂSSIS	
9	1	097-CON-DN	RIGHT GUARD	GARDE CÔTÉ DROIT	
10	1	097-CON-DY	CYLINDER PIN	GOUPILLE DE CYLINDRE	
11	1	221020	WASHER	RONDELLE	
12	1	320005-1	RETAINING RING EXT. 1PO	BAGUE DE RETENUE EXT. 1PO	
13	2	320009-3	PIPE CLAMP	SUPPORT BOYAU	
14	1	322059	SHAFT COUPLING 1 1/8" ALUMINIUM	ACCOUPEMENT A ARBRE 1 1/8" ALUMINIUM	
15	3	322063	SHAFT COUPLING 1 1/8" x 1"	ACCOUPEMENT ARBRE 1 1/8" x 1"	
16	1	322299	GREASE FITTING	GRAISSEUR	
17	1	404077	WARNING LOADING ARM STICKER	DECALQUE ATTENTION BRAS CHARGEMENT	
18	1	404164	CAUTION RISK OF CRUSHING STICKER	DECALQUE ATTENTION RISQUE ECRASEMENT	
19	2	450548	8 M JIC - 8 M NPT	8 M JIC - 8 M NPT	
20	2	450658	6 M.JIC - 6 M.JIC LONG	6 M.JIC - 6 M.JIC LONG	
21	2	450659	6 M.JIC - 6 M.JIC LONG	6 M.JIC - 6 M.JIC LONG	
22	2	450897	NUT FOR HYDRAULIC FITTING	ÉCROU POUR ADAPTEUR HYDRAULIQUE	
23	4	450899	BH NUT 8	BH NUT 8	
24	2	450973	HYDRAULIC FITTING	ADAPTEUR HYDRAULIQUE	
25	2	451026	8 F.JIC - 8 M.NPT 90°	8 F.JIC - 8 M.NPT 90°	
26	1	451171	6 M.JIC- 6M.ORB	6 M.JIC- 6M.ORB	
27	2	451260	6 M.JIC - 6 M.ORB 90°	6 M.JIC - 6 M.ORB 90°	
28	1	451409	6 M.ORB - 6 F.JIC 90°	6 M.ORB - 6 F.JIC 90°	
29	2	451457	8 M.JIC - 8 M.NPT	8 M.JIC - 8 M.NPT	
30	4	452000	1/2 QUICK COUPLER NPTM	RACCORD RAPIDE 1/2 NPTM	
31	1	465879	CHECK VALVE	VALVE ANTI-RETOUR	
32	2	466409	FLOW CONTROL 1/2" NPT	CONTROL DE DÉBIT 1/2" NPT	
33	1	466989	HYDRAULIC VALVE	VALVE HYDRAULIQUE	
34	1	467206	CYLINDER HTR 2012	CYLINDRE HTR 2012	
35	1	470051	DOUBLE HOSE HOLDER 21.3mm (0.84")	SUPPORT BOYAU DOUBLE 21.3mm (0.84")	
36	1	500336	HEX BOLT GR5 1-8 X 6 1/2 Z	BOULON HEX GR5 1-8 X 6 1/2 Z	
37	11	500700	CARRIAGE BOLT M10 X 1.50 X 25 CL8.8	BOULON CAROSSERIE M10 X 1.50 X 25 CL8.8	
38	7	500706	CBZ M6 X 1.0 X 20 CL8.8	CBZ M6 X 1.0 X 20 CL8.8	
39	1	501037	HEX NYLON LOCKNUT GR5 1-8 Z	ÉCROU NYLON IND HEX GR5 1-8 Z	
40	3	502002	FLAT WASHER 1/4 Z	RONDELLE PLATE 1/4 Z	
41	10	502004	FLAT WASHER 3/8 Z	RONDELLE PLATE 3/8 Z	
42	2	502009	FLAT WASHER 3/4 Z	RONDELLE PLATE 3/4 Z	
43	2	502017	FLAT WASHER SAE 3-4 ZINC	RONDELLE PLATE SAE 3-4 ZINC	
44	2	506001	HEX. BOLT M8 X 1.25 X 25mm CL8.8	BOULON HEX. M8 X 1.25 X 25mm CL8.8	
45	18	506039	NYLON NUT M10 X 1.5	ECROU NYLON M10 X 1.5	
46	14	506040	NYLON NUT M12 X 1.75	ECROU NYLON M12 X 1.75	
47	7	506050	HEX NUT M6 X 1	ECROU NYLON M6 X 1	
48	2	506051	NYLON NUT M8 X 1.25	ECROU NYLON M8 X 1.25	
49	14	506102	HEX. BOLT M12 X 1.75 X 45mm CL8.8	BOULON HEX. M12 X 1.75 X 45mm CL8.8	
50	2	451172	6 M JIC - 8 M ORB	6 M JIC - 8 M ORB	
51	2	450574	5100-06-06 HOLE 1/32	5100-06-06 ORIFICE 1/32	

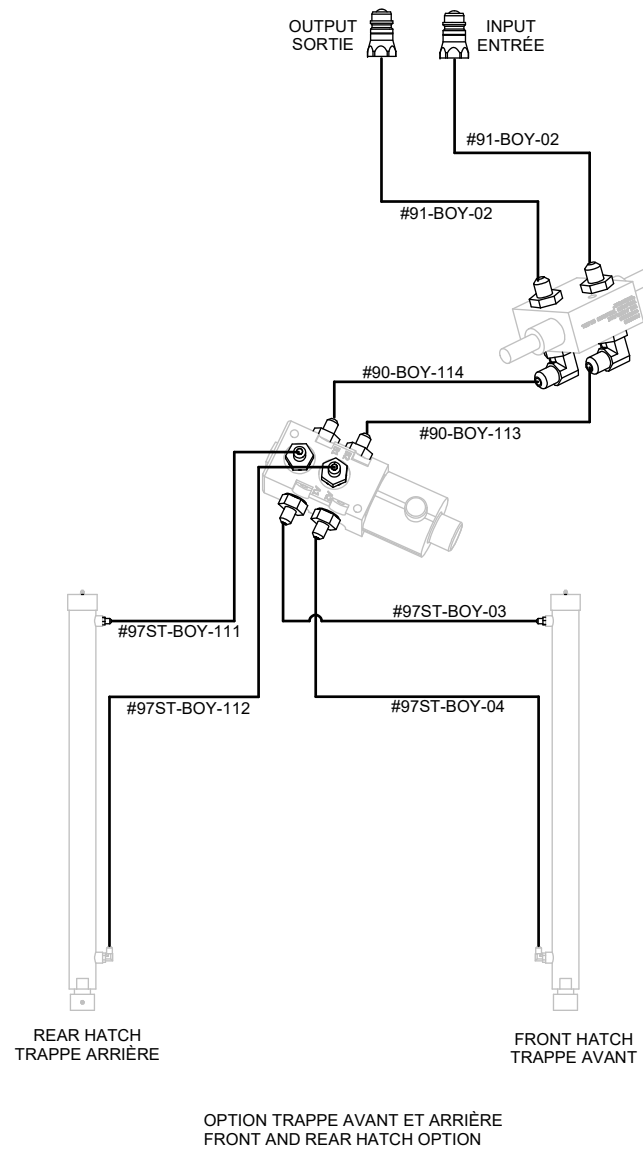
21A - HATCH AND RESTRICTOR BLADE / TRAPPE ET CONTRE-COUTEAU



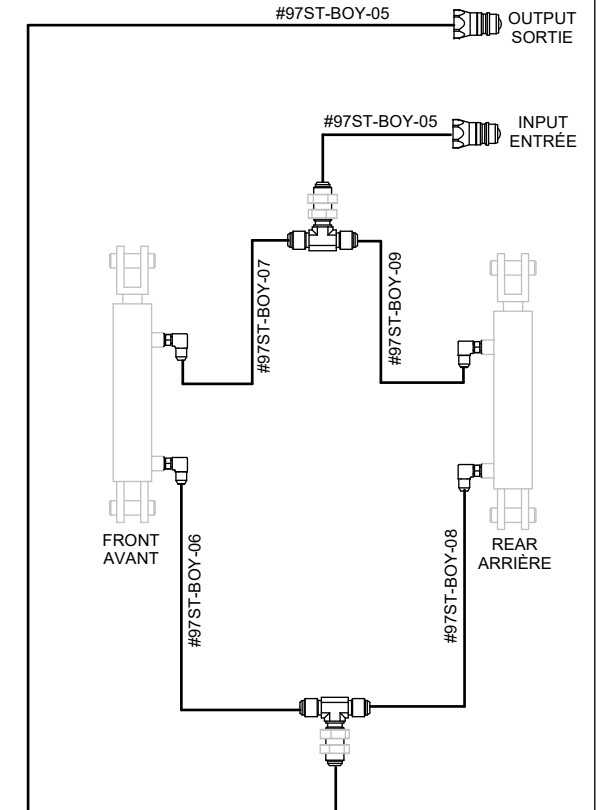
ONLY FRONT HATCH TRAPPE AVANT SEULEMENT



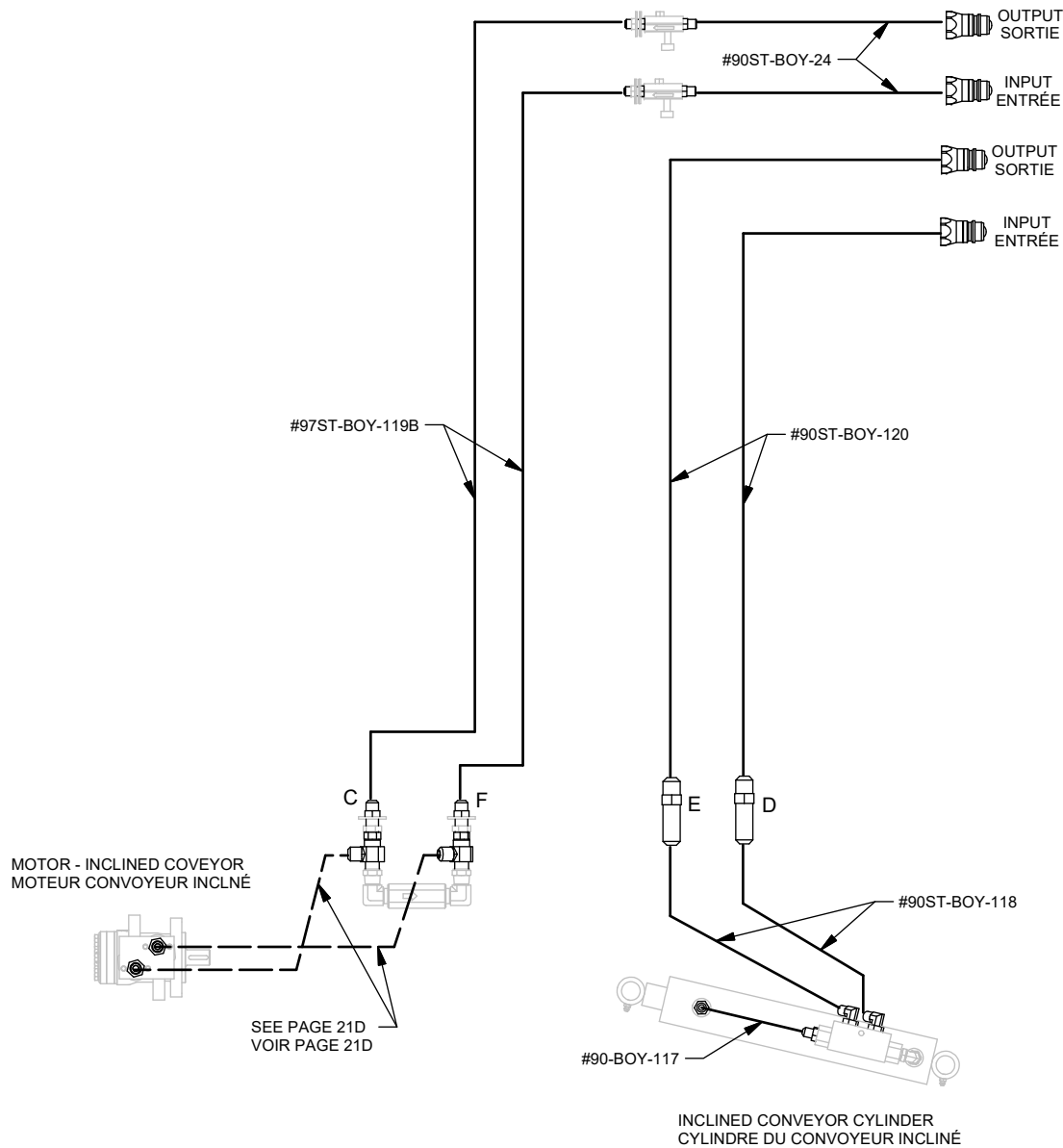
TWO HATCH OPTION OPTION DEUX TRAPPES



RESTRICTOR BLADE OPTION OPTION DE CONTRE-COUTEAU



21C - INCLINED BELT CONVEYOR/ CONVOYEUR À COURROIE INCLINÉ

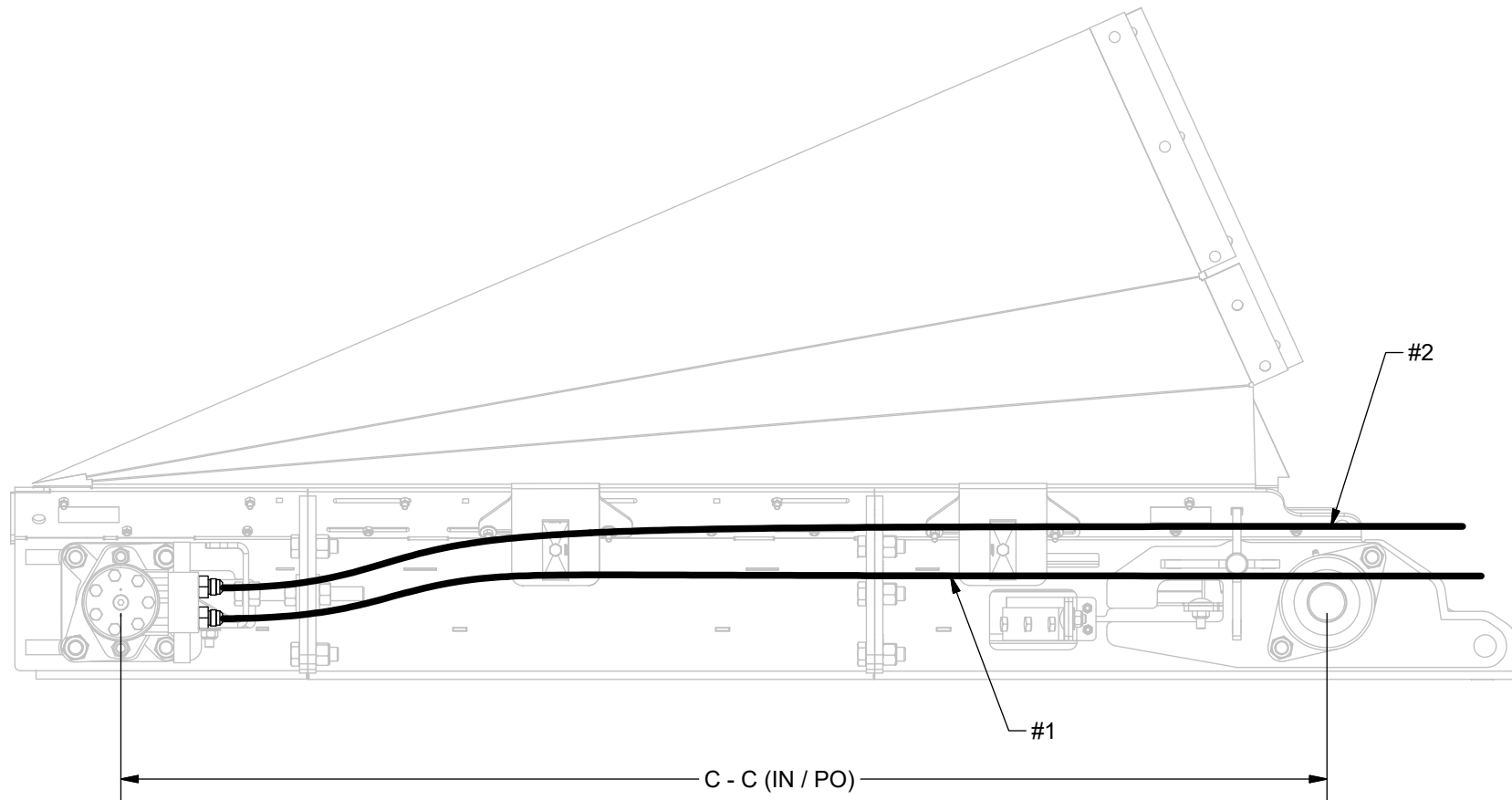


21D - INCLINED BELT CONVEYOR/ CONVOYEUR À COURROIE INCLINÉ

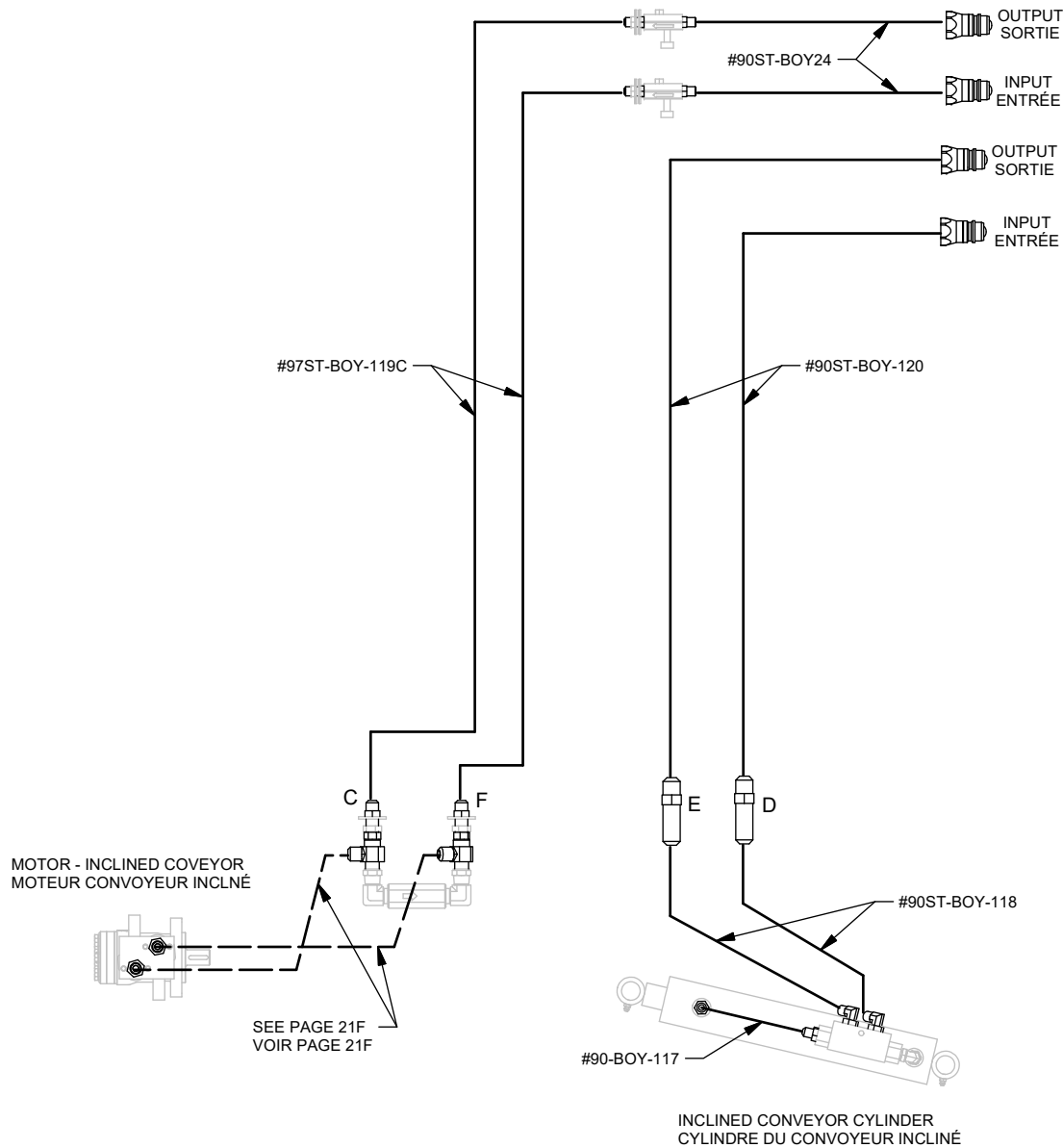


HOSE LIST CONVEYOR / LISTE DE BOYAUX CONVOYEUR

#	3FT / 0.9M	4FT / 1.2M	5FT / 1.5M	6FT / 1.8M	7FT / 2.1M	8FT / 2.4M
#1	IC90-BOY-115	IC120-BOY-115	IC150-BOY-115	IC180-BOY-115	IC210-BOY-115	IC240-BOY-115
#2	IC90-BOY-116	IC120-BOY-116	IC150-BOY-116	IC180-BOY-116	IC210-BOY-116	IC240-BOY-116
C - C	29 3/16	39	55 1/16	64 15/16	80 15/16	90 13/16



21E - INCLINED CHAIN CONVEYOR/ CONVOYEUR À CHAÎNE INCLINÉ

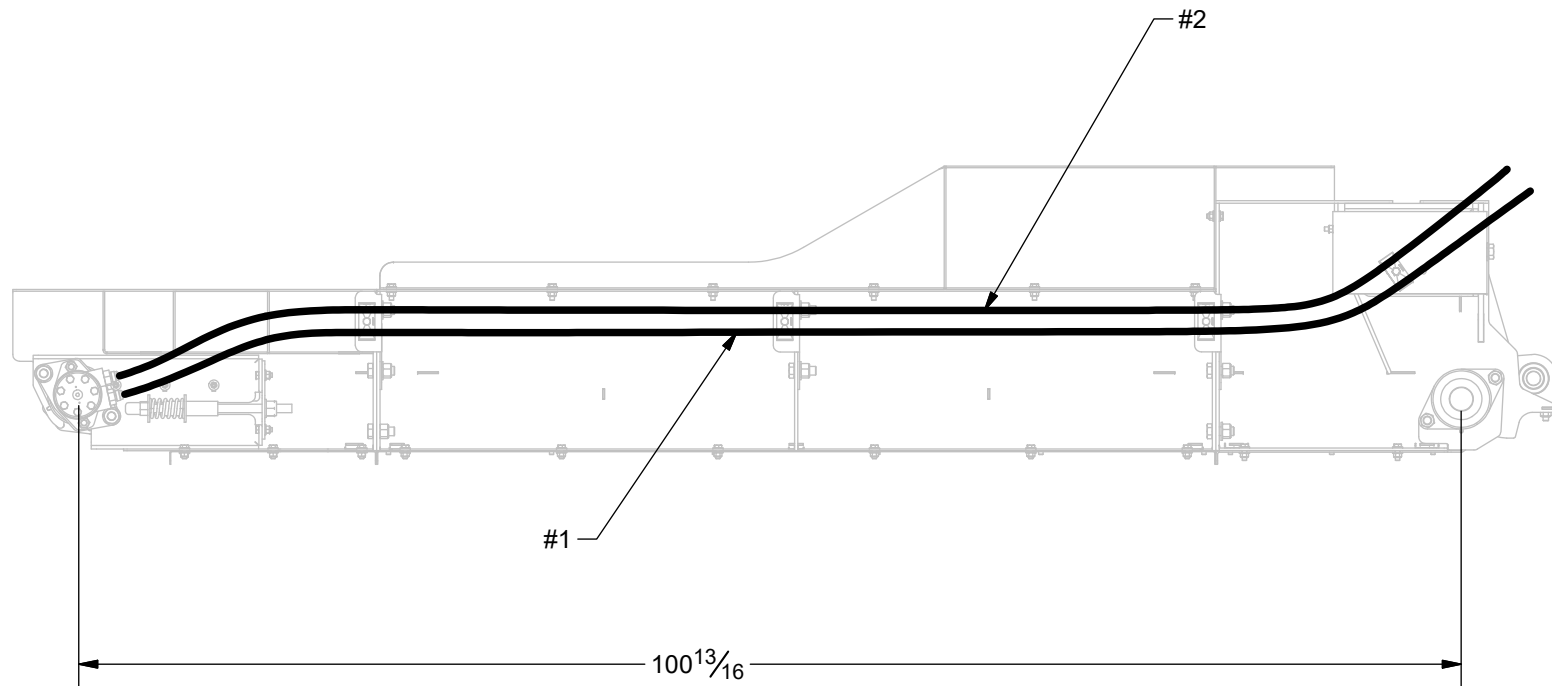


21F - INCLINED CHAINS CONVEYOR/ CONVOYEUR À CHAÎNE INCLINÉ

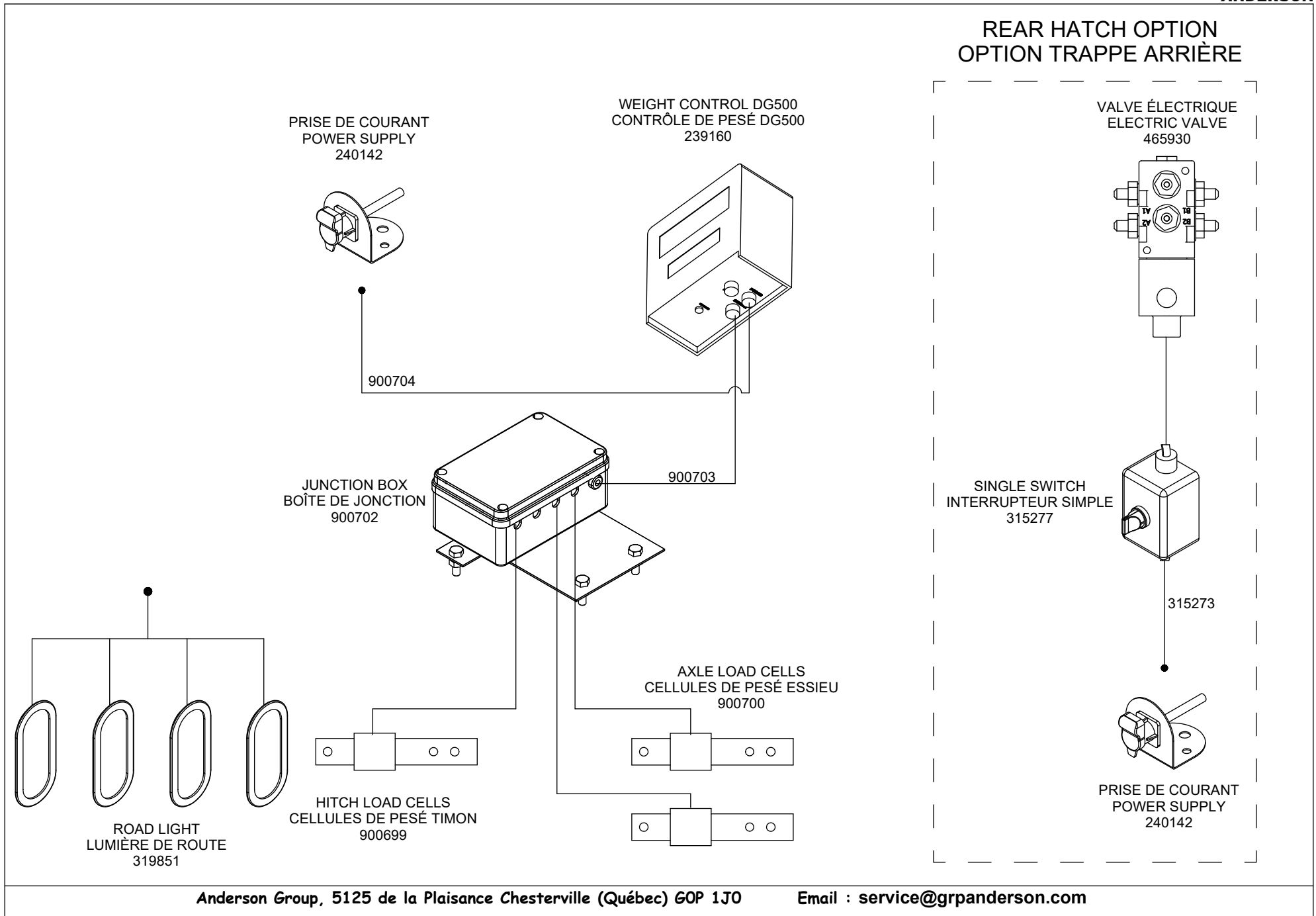


HOSE LIST CONVEYOR / LISTE DE BOYAUX CONVOYEUR

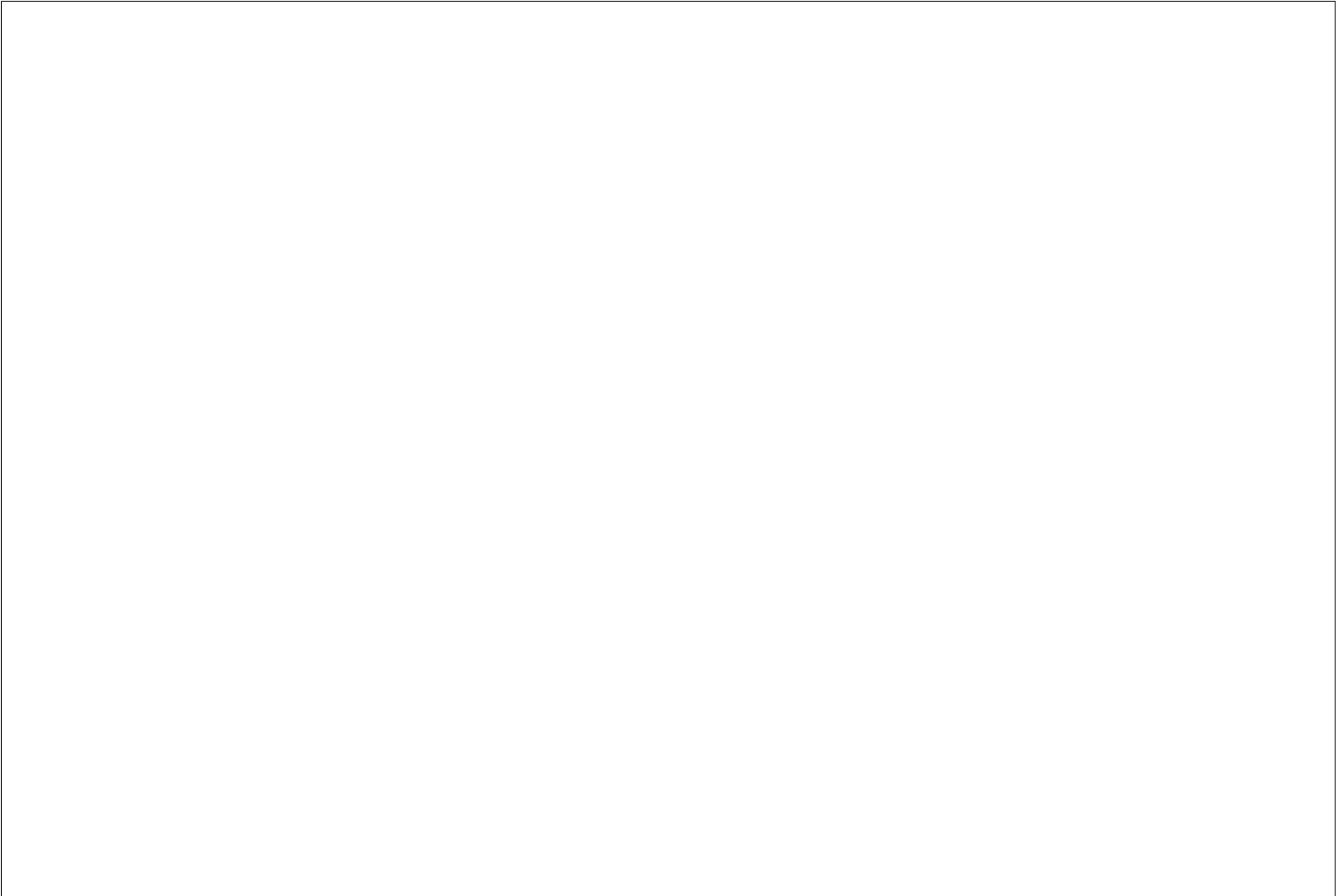
#	3FT / 0.9M	4FT / 1.2M	5FT / 1.5M	6FT / 1.8M	7FT / 2.1M	8FT / 2.4M
#1	IC90ST-BOY-115	IC120ST-BOY-115	IC150ST-BOY-115	IC180ST-BOY-115	IC210ST-BOY-115	IC240ST-BOY-115
#2	IC90ST-BOY-116	IC120ST-BOY-116	IC150ST-BOY-116	IC180ST-BOY-116	IC210ST-BOY-116	IC240ST-BOY-116
C - C	39 11/16	49 5/8	66 3/16	76 1/16	91	100 13/16



22 - DG500 ELECTRIC DIAGRAM / DIAGRAMME ÉLECTRIQUE DG500

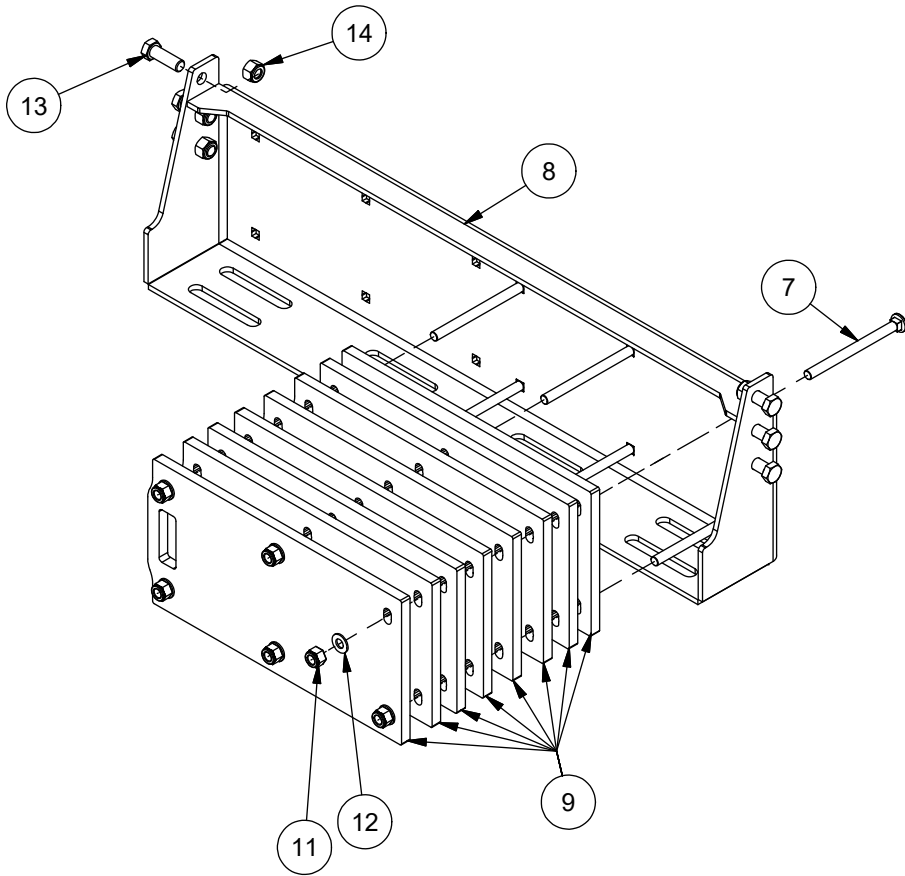


22 - DG500 ELECTRIC DIAGRAM / DIAGRAMME ÉLECTRIQUE DG500

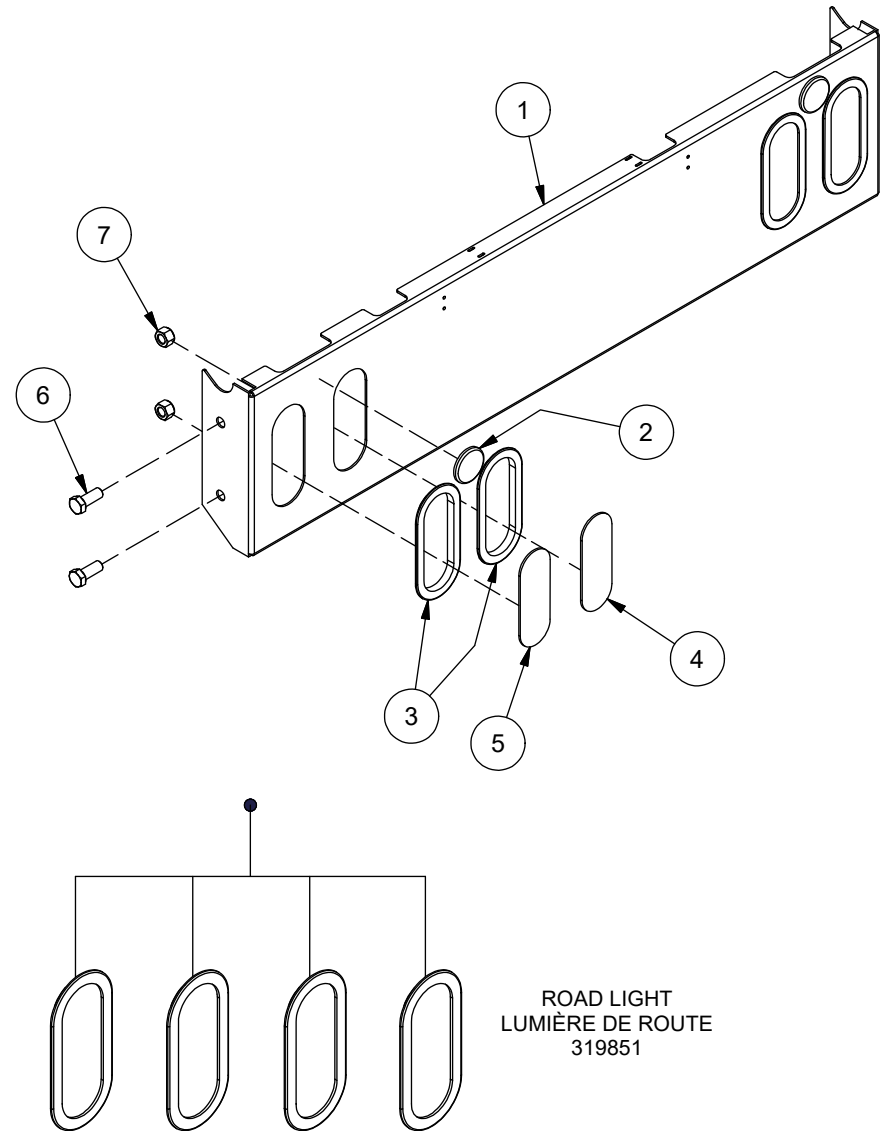


23 - BUMPER AND COUNTERWEIGHT / PARE-CHOC ET CONTREPOIDS

COUNTERWEIGHT / CONTREPOIDS



BUMPER / PARE-CHOC



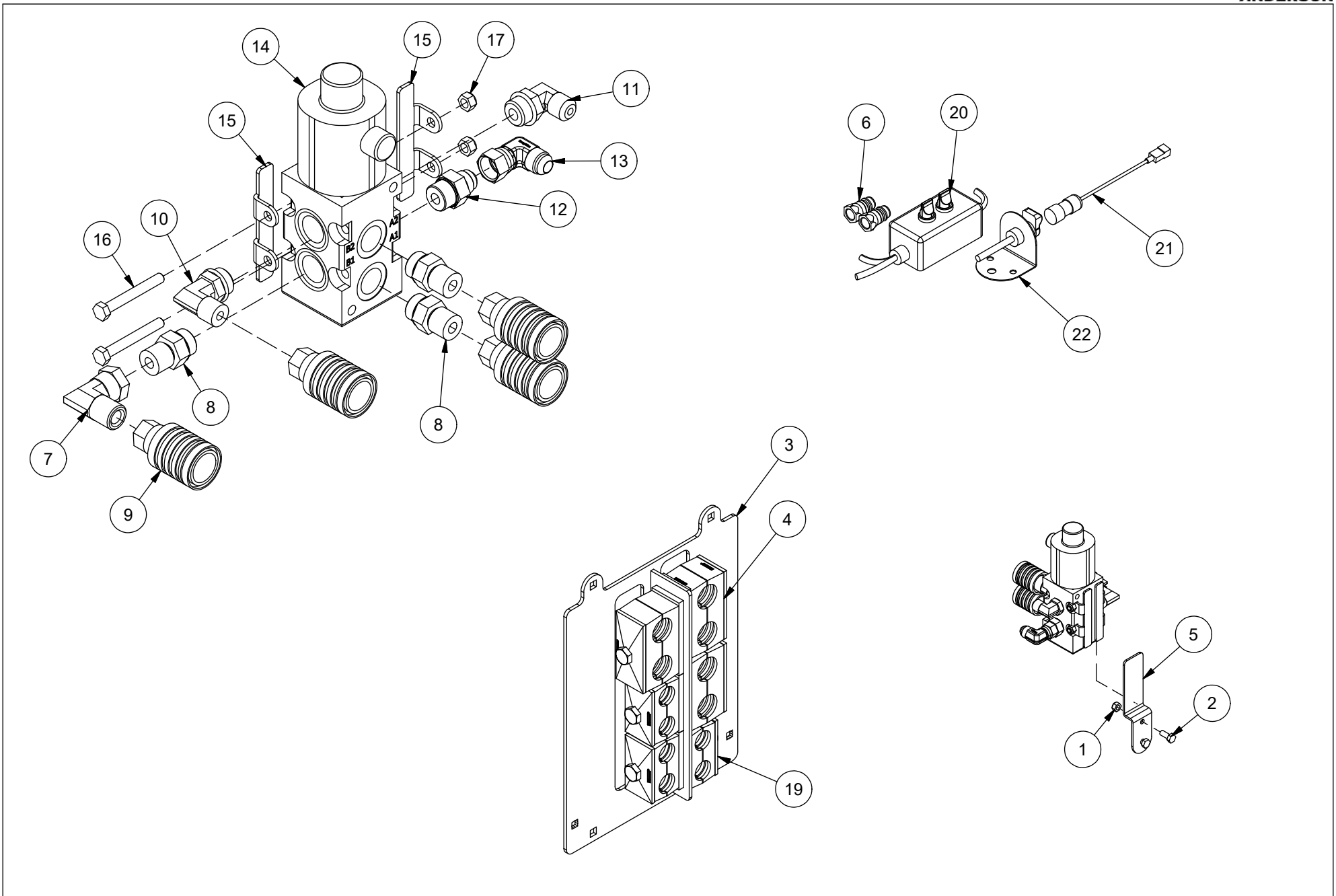
23 - BUMPER AND COUNTERWEIGHT / PARE-CHOC ET CONTREPOIDS



PARE CHOC / BUMPER					
ITEM	QT	PART/PIECE	ENGLISH DESCRIPTION	DESCRIPTION FRANCAISE	NOTE
1	1	090-FRM-215	BUMPER	PARE-CHOC	
2	2	900563	REFLECTOR	RÉFLECTEUR	
3	4	319877-1	LIGHT CONTOUR	LUMIERE CONTOUR	
4	2	319883	RED LIGHT	LUMIERE ROUGE	
5	2	319882	YELLOW LIGHT	LUMIERE JAUNE	
6	4	506012	HEX. BOLT M16 X 2 X 40mm CL8.8	BOULON HEX. M16 X 2 X 40mm CL8.8	
7	4	506037	NYLON NUT M16 X 2	ECROU NYLON M16 X 2	

CONTREPOIDS / COUNTERWEIGHT					
ITEM	QT	PART/PIECE	ENGLISH DESCRIPTION	DESCRIPTION FRANCAISE	NOTE
7	6	500554	CARRIAGE BOLT	BOULON DE CARROSSERIE	
8	1	097-FRM-017	CONTERWEIGHT BRACKET	SUPPORT CONTREPOIDS	
9	8	097-FRM-016	WEIGHT	POIDS	
11	6	501035	HEX NYLON LOCKNUT GR5 5/8-11 Z	ÉCROU NYLON IND HEX GR5 5/8-11 Z	
12	6	502008-1	FLAT WASHER 5/8 Z-SAE	RONDELLE PLATE 5/8 Z-SAE	
13	6	506054	HEX. BOLT M16 X 2.5 X 60mm CL8.8	BOULON HEX. M20 X 2.5 X 60mm CL8.8	
14	6	506038	NYLON NUT M20 X 2.5	ECROU NYLON M20 X 2.5	

24A - ADDITIONAL OUTPUT / SORTIE ADDITIONNELLE



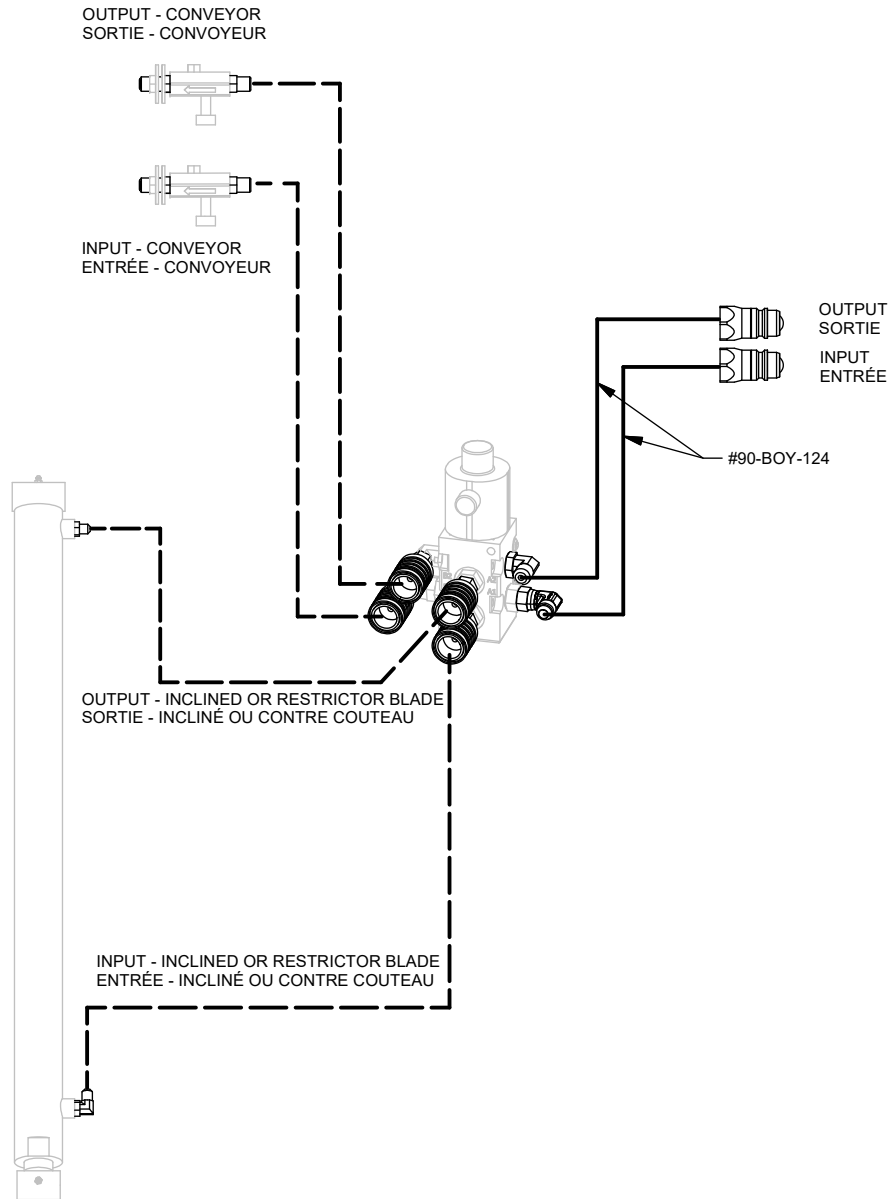
24A - ADDITIONAL OUTPUT / SORTIE ADDITIONNELLE



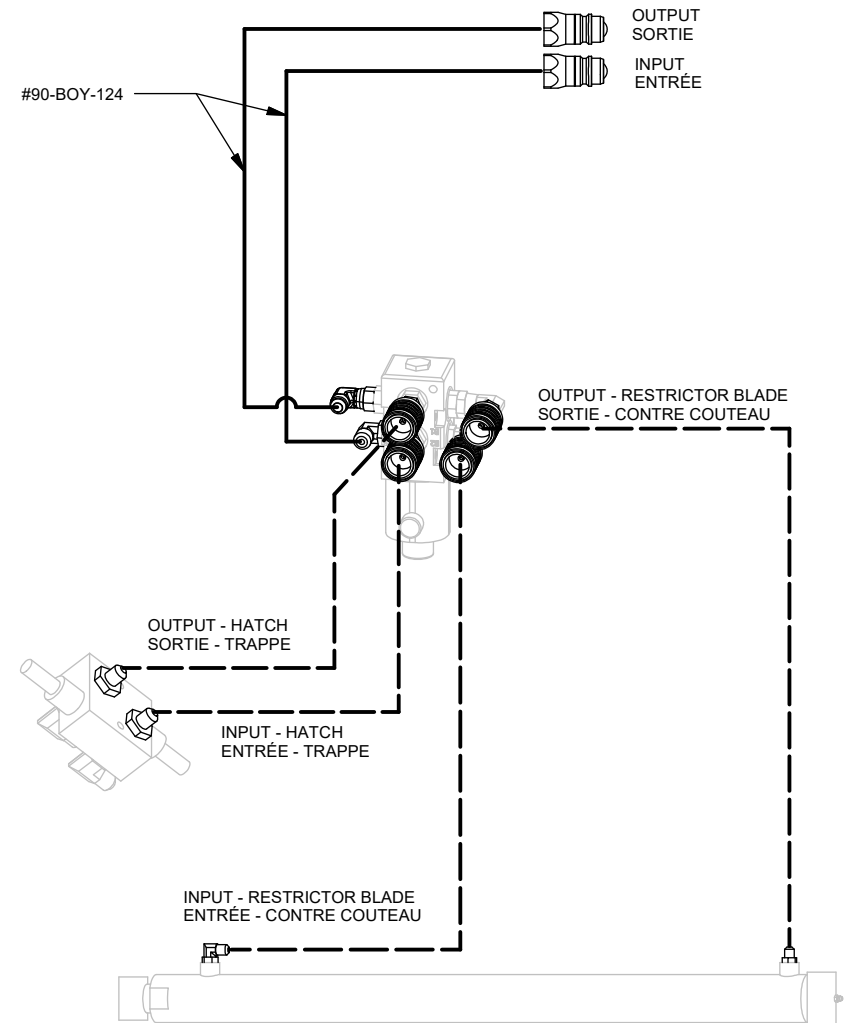
ITEM	QT	PART/PIECE	ENGLISH DESCRIPTION	DESCRIPTION FRANCAISE	NOTE
1	2	501031	HEX NYLON LOCKNUT GR5 5/16-18 Z	ÉCROU NYLON IND HEX GR5 5/16-18 Z	
2	2	500042	HEX BOLT GR5 5/16-18 X 3/4	BOULON HEX GR5 5/16-18 X 3/4	
3	1	091-HYD-AH	HOSE CLAMP PLATE	PLAQUE DE SUPPORT DE BOYAU	
4	3	470051	DOUBLE HOSE HOLDER 21.3mm (0.84")	SUPPORT BOYAU DOUBLE 21.3mm (0.84")	
5	1	234083	SELECTOR VALVE SUPPORT	ATTACHE VALVE SÉLECTRICE	
6	2	452000	HYDRAULIC FITTING	ADAPTEUR HYDRAULIQUE	
7	1	450381	8 F.NPSM - 8 M.NPT 90°	8 F.NPSM - 8 M.NPT 90°	
8	3	451097	10 M.ORB - 8 M.NPT	10 M.ORB - 8 M.NPT	
9	4	452001	QUICK COUPLER 1/2 F	RACCORD RAPIDE 1/2 F	
10	1	450164	10 M.ORB - 8 M.NPT 90°	10 M.ORB - 8 M.NPT 90°	
11	1	451266	8 M.JIC - 10 M.ORB 90°	8 M.JIC - 10 M.ORB 90°	
12	1	451179	8 M JIC - 10 M ORB	8 M JIC - 10 M ORB	
13	1	450955	5506-08-08	5506-08-08	
14	1	465930	HYDRAULIC VALVE	VALVE HYDRAULIQUE	
15	2	234186	SELECTOR VALVE SUPPORT	ATTACHE VALVE SÉLECTRICE	
16	2	500055	HEX BOLT GR5 5/16-18 X 2 1/2	BOULON HEX GR5 5/16-18 X 2 1/2	
17	2	501031	HEX NYLON LOCKNUT GR5 5/16-18 Z	ÉCROU NYLON IND HEX GR5 5/16-18 Z	
19	3	320009-3	PIPE CLAMP	SUPPORT BOYAU	
20	1	315278	DOUBLE SWITCH	INTERRUPTEUR DOUBLE	
21	1	315273	POWER EXTENSION CABLE	FIL RALLONGE D'ALIMENTATION	
22	1	240142	POWER SUPPLY 25 amp	PRISE DE COURANT 25 amp	

24B - ADDITIONAL OUTPUT / SORTIE ADDITIONNELLE

1 OUTPUT / 1 SORTIE



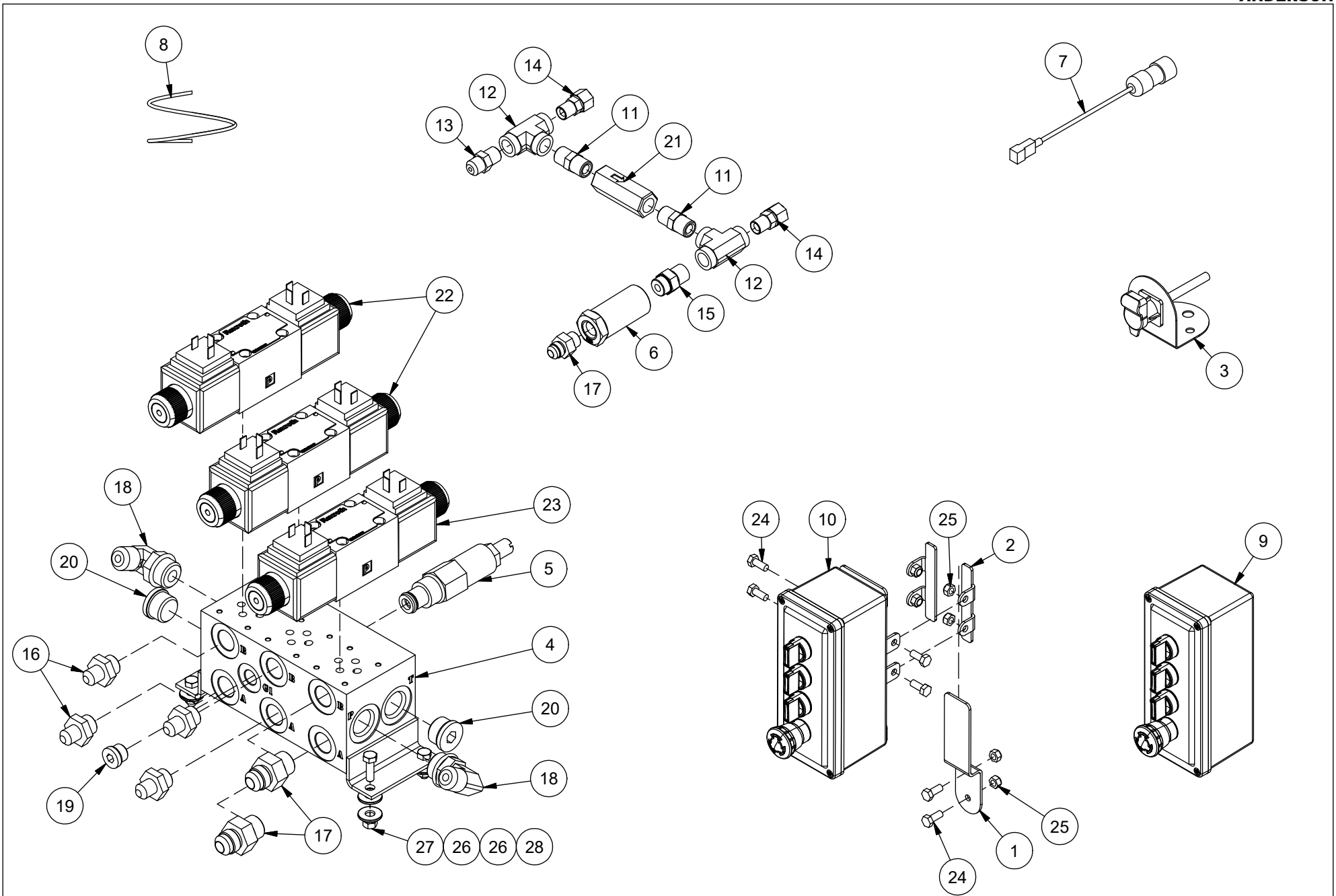
2 OUTPUTS / 2 SORTIES





ANDERSON

25A - MANUAL HYDRAULIC CONTROL / COMMANDE HYDRAULIQUE MANUELLE

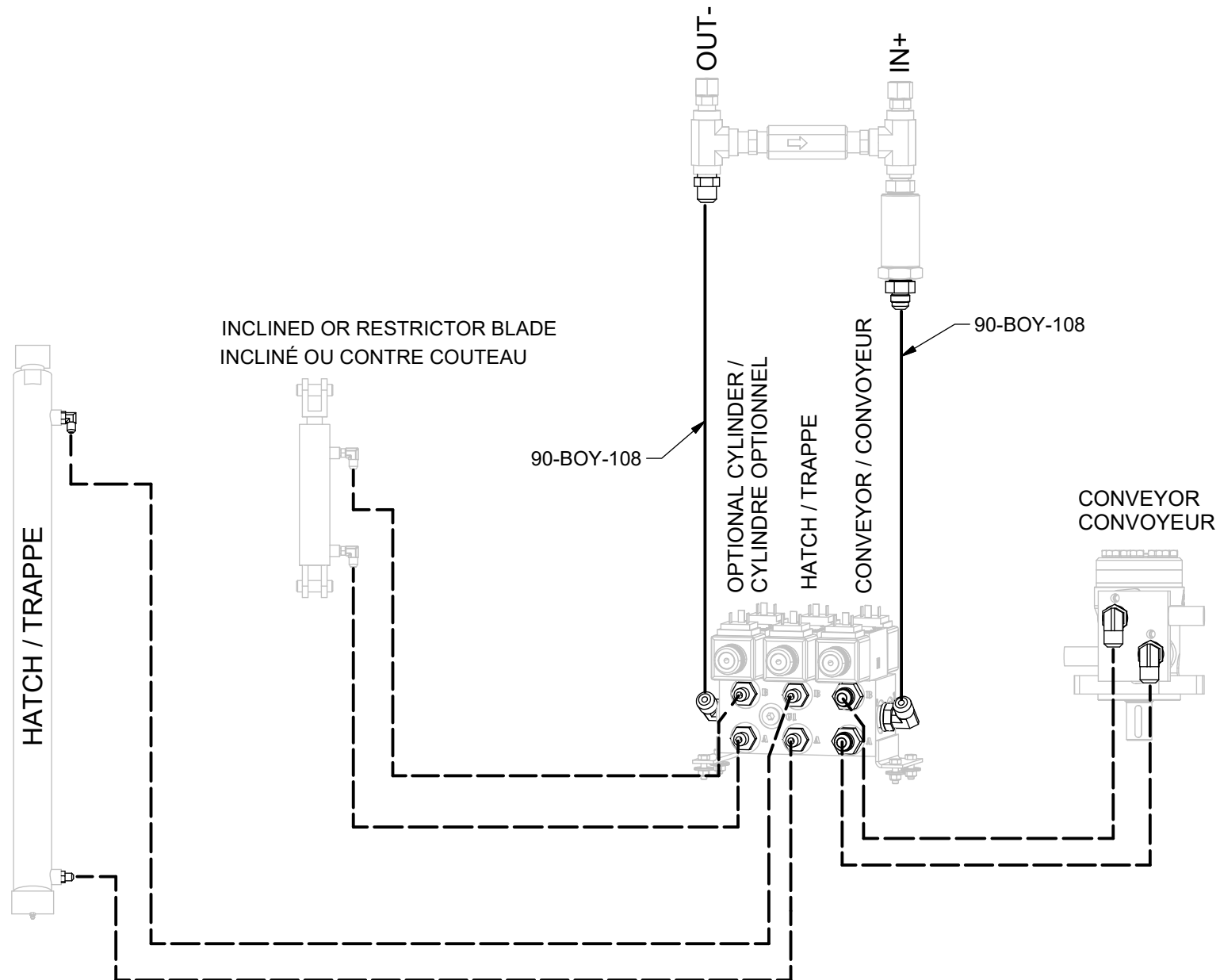


25A - MANUAL HYDRAULIC CONTROL / COMMANDE HYDRAULIQUE MANUELLE



ITEM	QT	PART/PIECE	ENGLISH DESCRIPTION	DESCRIPTION FRANCAISE	NOTE
1	1	234083	SELECTOR VALVE SUPPORT	ATTACHE VALVE SÉLECTRICE	
2	2	234186	SELECTOR VALVE SUPPORT	ATTACHE VALVE SÉLECTRICE	
3	1	240142	POWER SUPPLY 25 amp	PRISE DE COURANT 25 amp	
4	1	250021	VALVE MANIFOLD	BLOC VALVE	
5	1	250022	RELIEF VALVE	LIMITEUR DE PRESSION	
6	1	250025	FILTER HPJ 1666	FILTRE HPJ 1666	
7	1	315273	POWER EXTENSION CABLE	FIL RALLONGE D'ALIMENTATION	
8	1	315365	CONTROL CABLE	CABLE DE CONTROLE	
9	1	315366	CONTROLE BOX 4 HOLES	MANETTE DE CONTROLE 4 TROUES	
10	1	315367	CONTROL BOX 4 HOLES	MANETTE DE CONTROLE 4 TROUES	
11	2	450008	HYDRAULIC FITTING	ADAPTEUR HYDRAULIQUE	
12	2	450243	8 F.NPT	8 F.NPT	
13	1	450548	8 M JIC - 8 M NPT	8 M JIC - 8 M NPT	
14	2	450996	8 F.JIC - 8 M.NPT	8 F.JIC - 8 M.NPT	
15	1	451095	8 M.ORB -8 M.NPT	8 M.ORB -8 M.NPT	
16	4	451172	6 M JIC - 8 M ORB	6 M JIC - 8 M ORB	
17	3	451178	8 M.JIC - 8 M.ORB	8 M.JIC - 8 M.ORB	
18	2	451266	8 M.JIC - 10 M.ORB 90°	8 M.JIC - 10 M.ORB 90°	
19	1	451354	PLUG 6 M. ORB	PLUG 6 M. ORB	
20	2	451356	PLUG ORB 10	BOUCHON ORB 10	
21	1	465879	CHECK VALVE	VALVE ANTI-RETOUR	
22	2	466701	HYDRAULIC VALVE	VALVE HYDRAULIQUE	
23	1	466702	HYDRAULIC VALVE	VALVE HYDRAULIQUE	
24	6	500042	HEX BOLT GR5 5/16-18 X 3/4	BOULON HEX GR5 5/16-18 X 3/4	
25	6	501031	HEX NYLON LOCKNUT GR5 5/16-18 Z	ÉCROU NYLON IND HEX GR5 5/16-18 Z	
26	8	502002	FLAT WASHER 1/4 Z	RONDELLE PLATE 1/4 Z	
27	4	506050	HEX NUT M6 X 1	ECROU NYLON M6 X 1	
28	4	506124	HEX. BOLT M6 X 1 X 20mm CL8.8	BOULON HEX. M6 X 1 X 20mm CL8.8	

25B - MANUAL HYDRAULIC CONTROL / COMMANDE HYDRAULIQUE MANUELLE





ANDERSON



GROUPE ANDERSON

5125 de la Plaisance
Chesterville (Québec)
CANADA G0P 1J0

Email : support@grpanderson.com
Tel. : 1-819-382-2952
Fax. : 1-819-382-2218
www.grpanderson.com