

DEMCO

PRO SERIES SPRAYERS



Lawn and Garden Sprayers



Doing Our Best to Provide You the Best
www.demco-products.com • 1.800.543.3626



Professional grade sprayers

made affordable. Many lawn sprayer manufacturers are good at supplying an affordable, easy-to-assemble product, but their functionality is a big secret until you use it for the first time. Less than desirable agitation and poor drainage are the results acquired from off-the-shelf tank designs.

14 & 25 GALLON

- 5" fill well - 1/2" outlet
- Spray gun with adjustable nozzle
- 15' lead hose
- booms available
- Plumbing includes pressure gauge and regulator on 25 gallon model



The 14 and 25 gallon are high quality ATV mounted sprayers. Great for spraying weeds on your lawn, garden, or acreage.

40, 60, 80 GALLON

- Tank with a sloped bottom sump for total drainage, 5" fillwell
- Gallon and liter markings on the tank
- Agitation is standard in all tanks
- Special molded-in baffling in bottom of tank for enhanced agitation
- 15 x 6 flotation turf tires on 40 gallon trailer models
- 18 x 9.50 flotation tires on 60 and 80 gallon trailer models
- Handgun with 15' spray hose
- Rear mount fits category "1" three-point



The versatile 40, 60, and 80 gallon sprayers can be purchased as a skid mount, a rear mount, or as a trailer. These sprayers contain a molded-in baffle for enhanced agitation, a deep sump for uninterrupted application and complete product clean-out. These are available with 80" to 18' booms or rear fold booms with an option of in-cab control console to easier control your pump and boom.

At Demco, we designed a tank specifically for our ProSeries sprayers. A molded-in baffle system provides excellent circulation and chemical suspension, and a large deep sump ensures uninterrupted application.



Perfect for acreage spraying, the 110 or 115 gallon Pro Series sprayer can mount in the back of your pickup or flatbed trailer. The heavy duty form steel skid frame is built strong with the high quality you expect from Demco.



The largest capacity Pro Series sprayers are the 150 and 200 gallon sprayers. These single or tandem axle sprayers are perfect for pulling behind your ATV, UTV, or small tractor for spot spraying or spraying small fields or pastures.

110 & 150 GALLON SKID SPRAYERS

- Tank features sump, molded sight gauge and large fillwell and agitation
- 18" handgun
- 15' hose (380RB)

THREE BOOMS AVAILABLE:

- 12' and 18' booms feature floodjet tips (AN1.5 with 40" nozzle spacing) and spring loaded boom wing breakaway
- 21' Truss-T boom features vertical and horizontal boom breakaway with 20" nozzle spacing (spray tips not included)

150 & 200 GALLON ATV SPRAYER

- Elliptical tank features jet agitation, sump, and molded sight gauge
- Walking tandem axles with 22 x 11 x 8 pneumatic tires, or single axle with 24 x 12 turf tires
- 2" ball coupler hitch
- 2 1/2 gallon clean water tank is mounted for added safety

FOUR BOOMS AVAILABLE:

- 21', 30', 45' or 60'

SPECIFICATIONS

WHEEL SPACING TANDEM: 44" to 90" centers

TRANSPORT WIDTH: 8': 21' & 30', 10': 40', 45' & 60'

GROUND CLEARANCE: 18"



REAR MOUNT SPRAYERS

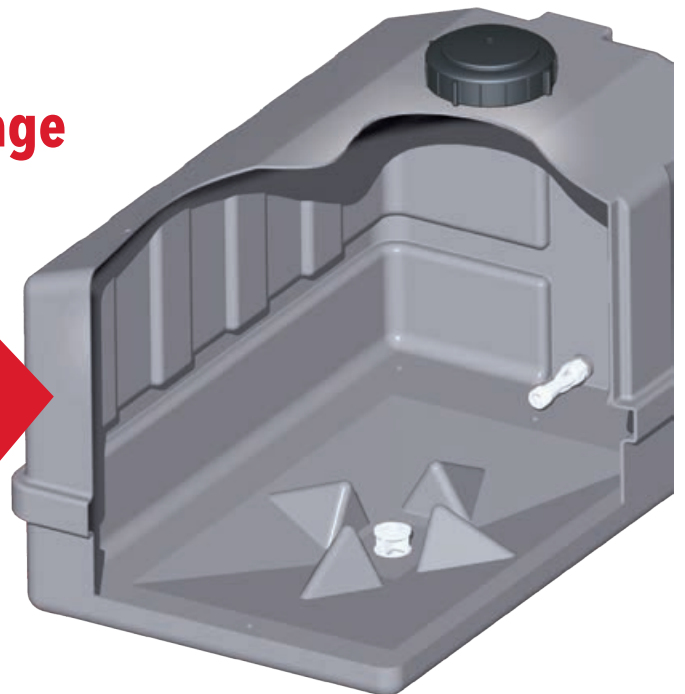
150, 200, 300 GALLON

- Tanks include jet agitation, molded sight gauge, sump, fillwell with no-splash cover
- Category "1" and "2" - 150 and 200 gallon
- Category "2" and "3" - 300 gallon
- May be used with a "Quick Attach" three point hookup
- Built-in ground stand for storage when empty on 150 and 200 gallon
- Retractable stand
- 21', 30' and 40' Truss-T booms feature vertical and horizontal boom breakaway, no drip diaphragm check nozzles spaced at 20"
- Handgun with 25' of hose (optional)



Better agitation, better drainage
Just take a look inside

The DEMCO Pro Series tank for 40, 60, & 80 gallons is more than just an "Off the Self" tank that holds spray solution



Doing Our Best to Provide You the Best

4010 320th Street • Boyden, Iowa 51234

1.800.543.3626

www.demco-products.com