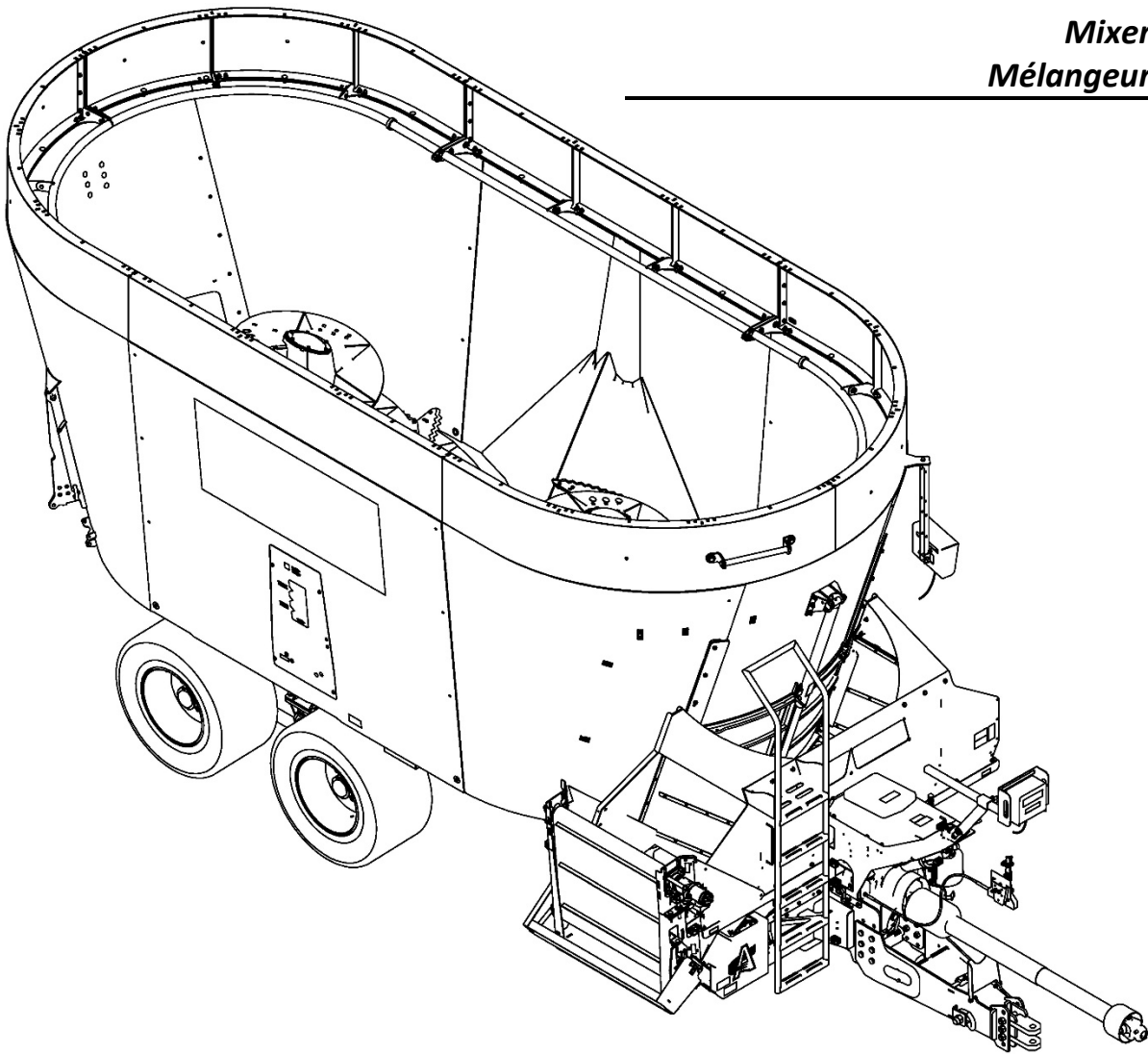


404690



ANDERSON

Smart-mix A920FD
Mixer
Mélangeur



Parts Manual
Livre de pièces
2022

Content / Contenu

00 – GENERAL / GÉNÉRAL
01 – MIXING CHAMBER / CUVE
02A -WALKING BEAM TANDEM AXLE / ESSIEU TANDEM
03 – NOSE / NEZ
04 – HITCH / TIMON
05 – RESTRICTOR BLADE / CONTRE-COUTEAUX
06A –AUGER / VIS
06B –AUGER OPTION / OPTION VIS
07 – TRANSFER PANEL / PANNEAU DE TRANSFERT
08 – HYDRAULIC JACK / BÉQUILLE HYDRAULIQUE
09 – HATCH / TRAPPE
10 – REAR COVER / BOUCHON
11 – LADDER / ÉCHELLE
12A - REAR TRANSMISSION (1000 RPM) 2103 / TRANSMISSION ARRIÈRE (1000 RPM) 2103
12B - REAR TRANSMISSION (PTO/1000 RPM) 2103 / TRANSMISSION ARRIÈRE (PTO/1000 RPM) 2103
12C - REAR TRANSMISSION (1000RPM) 3002 / TRANSMISSION ARRIÈRE (1000RPM) 3002
12D - REAR TRANSMISSION (PTO/1000 RPM) 3002 / TRANSMISSION ARRIÈRE (PTO/1000 RPM) 3002
12E - TRANSMISSION DIAGRAM / DIAGRAMME DE TRANSMISSION
13A - FRONT TRANSMISSION (1000 RPM) / TRANSMISSION AVANT (1000 RPM) / WITH DIRECT DRIVE DDBF
13B - FRONT TRANSMISSION (1000 RPM) / TRANSMISSION AVANT (1000 RPM) / WITH 2SGBC3ARR115
13H - 325370 – PTO TRACTOR 1 3/8 Z21 / PTO TRACTEUR 1 3/8 Z21
13I - 325371 – PTO TRACTOR 1 3/4 Z20 / PTO TRACTEUR 1 3/4 Z20
14A – SCALE CONTROL DG500 / CONTROLE DE PESÉ DG500
14B – SCALE OPTION / OPTION DE PESÉ
15A - 15D – STICKER LOCATION / EMLACEMENT DES DÉCALQUES
16 – CAPACITY EXTENSION 6" 12" 18" / REHAUSSE 6" 12" 18"
17 – HAY RETENTION RING / ANNEAU ANTI-DÉBORDEMENT
18A - 18B – BELT HORIZONTAL CONVEYOR / CONVOYEUR HORIZONTAL À COURROIE
18C - 18D – CHAIN HORIZONTAL CONVEYOR / CONVOYEUR HORIZONTAL À CHAÎNE
18E – BELT CONVEYOR OFFSET / DÉPORT CONVOYEUR À COURROIE
18F – CHAIN CONVEYOR OFFSET / DÉPORT CONVOYEUR À CHAÎNE
19A - 19D – INCLINED BELT CONVEYOR 3' TO 8' / CONVOYEUR INCLINÉ À COURROIE 3' À 8'
19E – MOUNTING KIT BELT CONVEYOR / KIT DE MONTAGE CONVOYEUR À COURROIE
20A - 20G – INCLINED CHAIN CONVEYOR 3' TO 8' / CONVOYEUR INCLINÉ À CHAÎNE 3' À 8'
20H – MOUNTING KIT CHAIN CONVEYOR / KIT DE MONTAGE CONVOYEUR À CHAÎNE
21A – 21G – HYDRAULIC DIAGRAM / DIAGRAMME HYDRAULIQUE
22 – ELECTRIC DIAGRAM / DIAGRAMME ÉLECTRIQUE
23 – BUMPER / PARE-CHOC
24A – ADDITIONAL OUTPUT / SORTIE ADDITIONNELLE
24B – HYD. DIAGRAM ADDITIONAL OUTPUT / DIAGRAMME HYD. SORTIE ADDITIONNELLE
25A – MANUAL HYDRAULIC CONTROL / COMMANDE HYDRAULIQUE MANUELLE
25B – HYD. DIAGRAM MANUAL CONTROL / DIAGRAMME HYD. COMMANDE MANUELLE02

Pour les commandes de pièces, utilisez le livre de pièces et trouvez l'item dont vous avez besoin et contacter votre revendeur ou contactez-nous directement à :

For any parts order, please use the parts manual to find the item you need and contact your dealer or contact us directly at:

GROUPE ANDERSON

5125 de la Plaisance

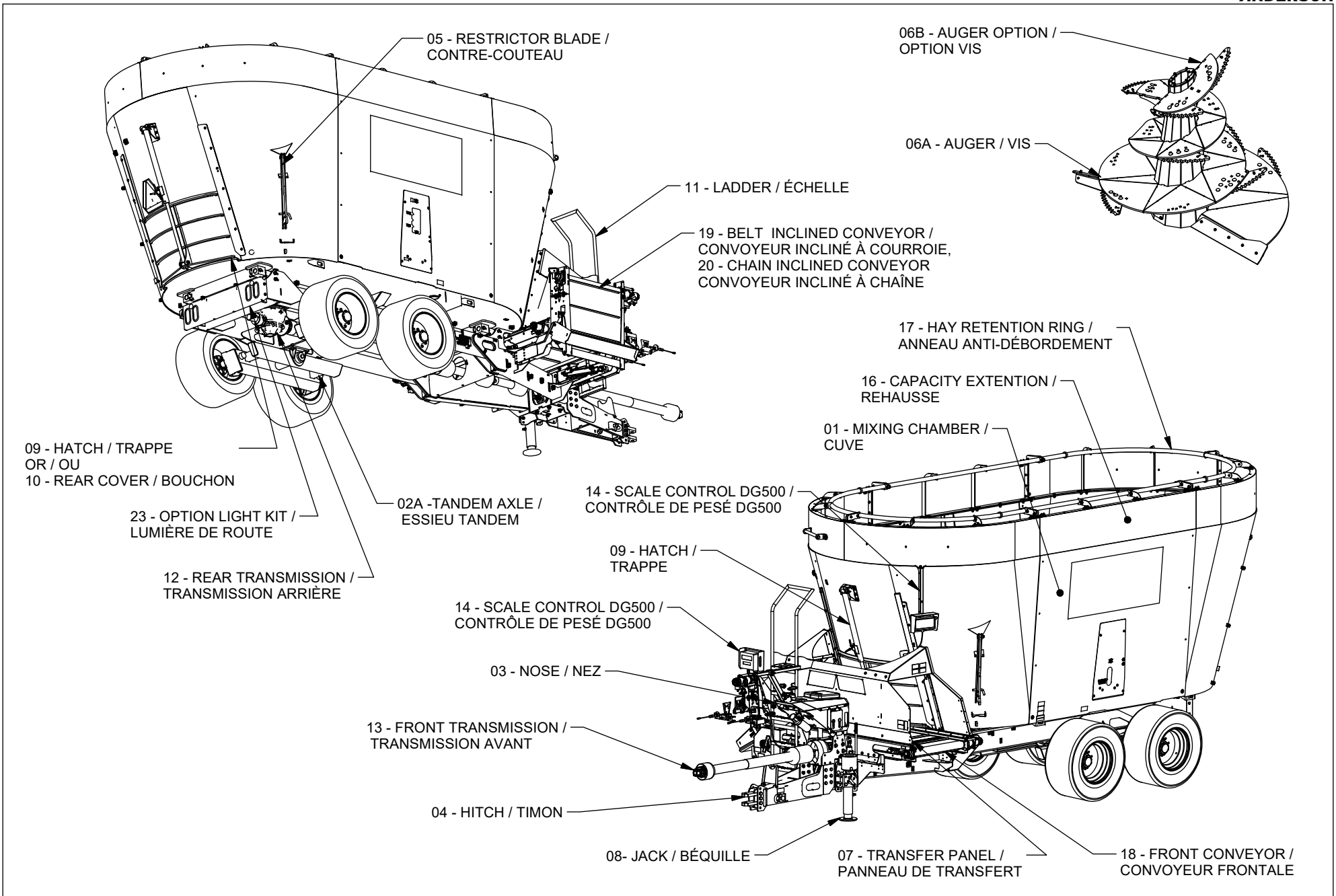
Chesterville (Québec)

CANADA G0P 1J0

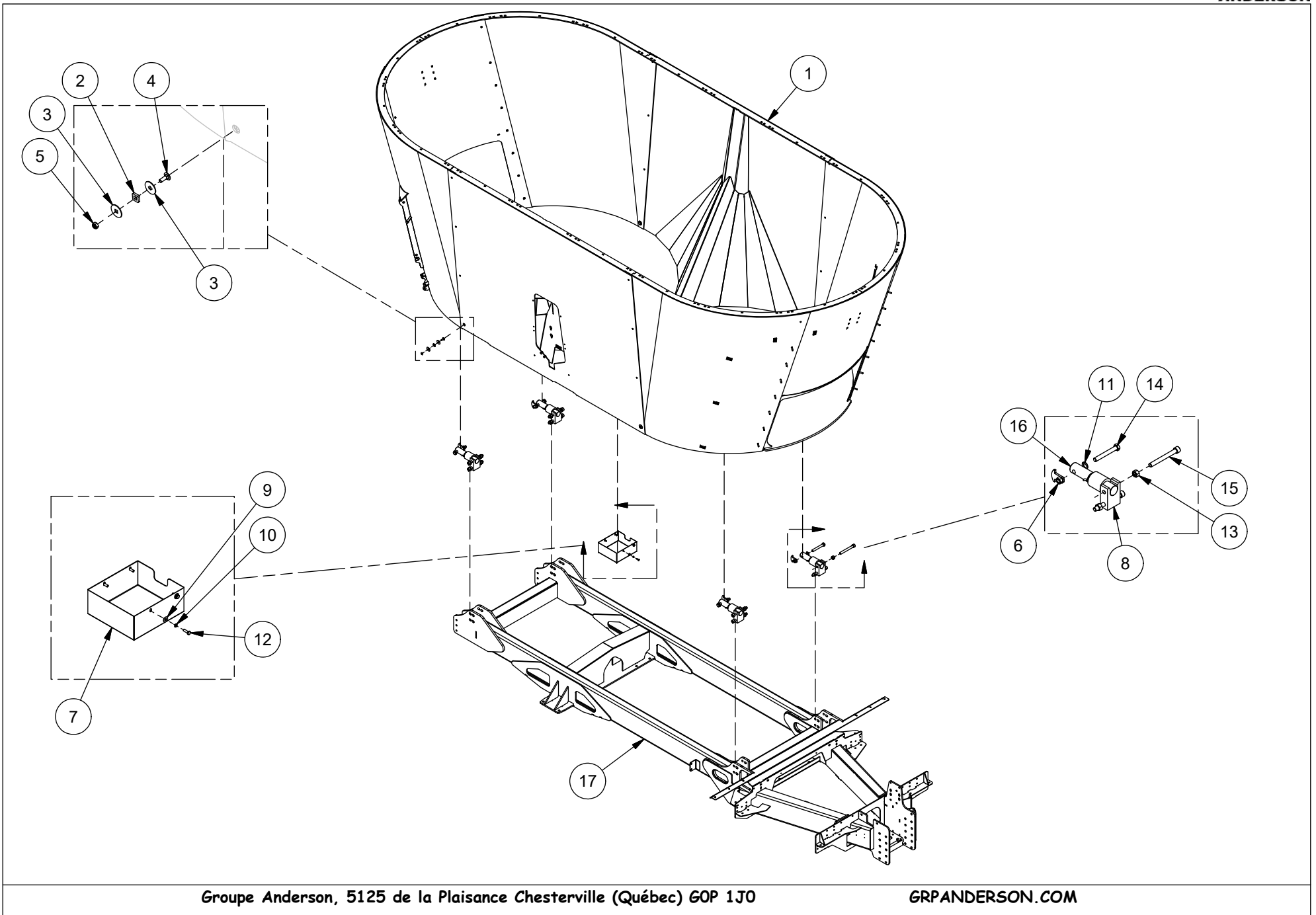
Tel.: 819-382-2952 Fax : (819) 382-2643 Email : support@grpanderson.com

Visit our website: grpanderson.com

00 - GENERAL A920FD / GÉNÉRAL A920FD



01 - MIXING CHAMBER / CUVE

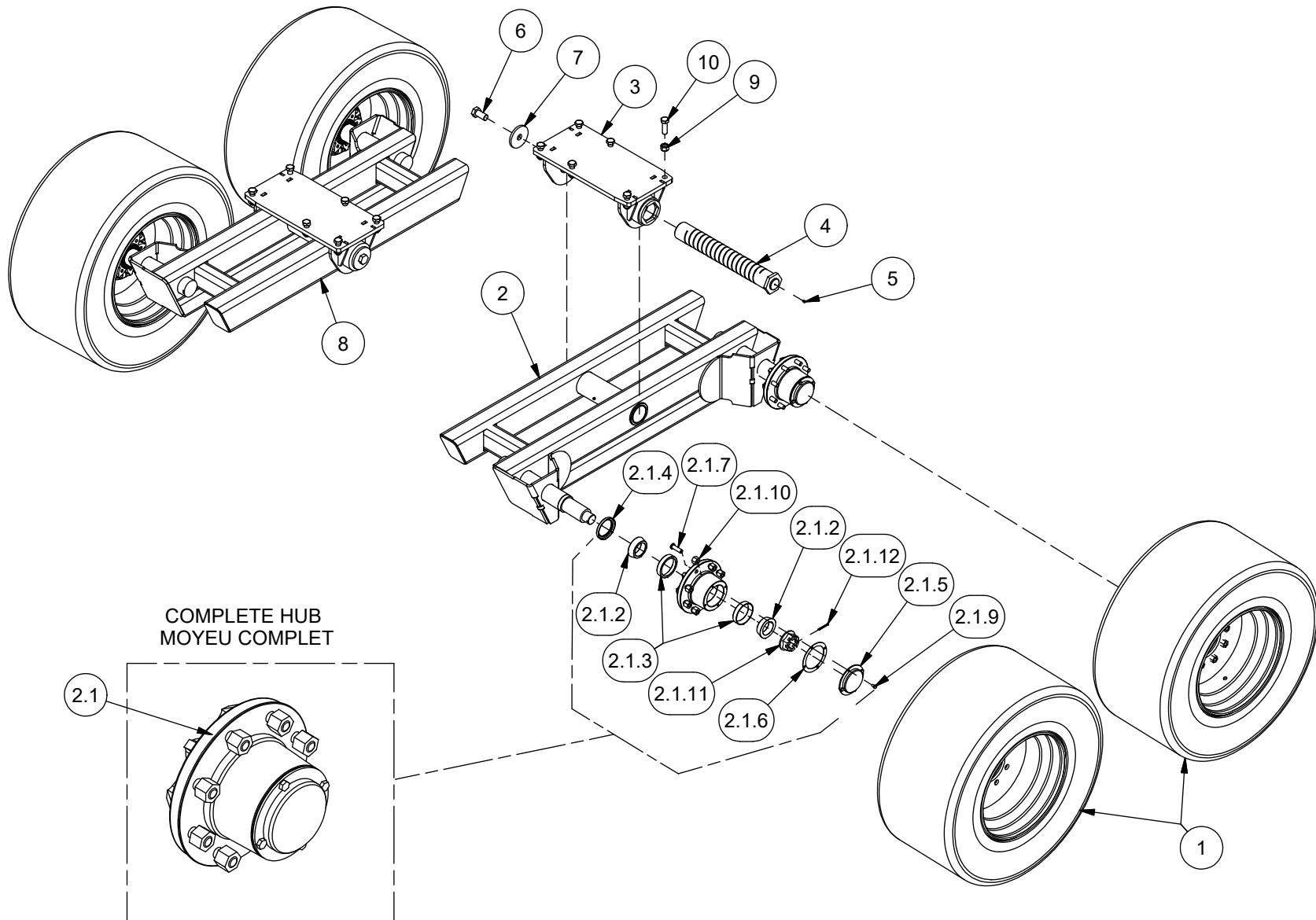


01 - MIXING CHAMBER / CUVE



ITEM	QT	PART/PIECE	ENGLISH DESCRIPTION	DESCRIPTION FRANCAISE	NOTE
1	1	098-CUV-AS	MIXING CHAMBER	CUVE	
2	4	090-CUV-115	CARRIAGE SPACER	ESPACEUR DE CARROSSERIE	
3	8	090-CUV-116	CARRIAGE FLAT WASHER	RONDELLE PLATE DE CARROSSERIE	
4	4	500705	CARRIAGE BOLT M10 X 1.50 X 30 CL4.6	BOULON CAROSSERIE M10 X 1.50 X 30 CL4.6	
5	4	506039	NYLON NUT M10 X 1.5	ECROU NYLON M10 X 1.5	
6	4	090-FRM-CD	LOAD CELL NUT	ÉCROU POUR PESON	
7	1	098-GRD-010	GUARD	GARDE	
8	4	250001	LOAD CELL SUPPORT	SUPPORT DE PESON	
9	4	502014	FLAT WASHER 5/16 Z	RONDELLE PLATE 5/16 Z	
10	4	502046	LOCK WASHER 5/16 Z	RONDELLE DE BLOCAGE 5/16 Z	
11	4	502055	LOCK WASHER 7/8	RONDELLE DE BLOCAGE 7/8	
12	4	506001	HEX. BOLT M8 X 1.25 X 25mm CL8.8	BOULON HEX. M8 X 1.25 X 25mm CL8.8	
13	8	506038	NYLON NUT M20 X 2.5	ECROU NYLON M20 X 2.5	
14	4	506107	HEX BOLT M20 X 2,5 - 150 CL8.8 Z	BOULON HEX M20 X 2,5 - 150 CL8.8 Z	
15	8	506177	SOCKET HEAD SCREW. M20-1.50 X 180MM CL12.9	VIS A TETE CYL. M20-1.50 X 180MM CL12.9	
16	4	900701	LOAD CELL	PESON	
17	1	098-FRM-AB	FRAME	CHÂSSIS	

02A TANDEM AXLE / ESSIEU TANDEM

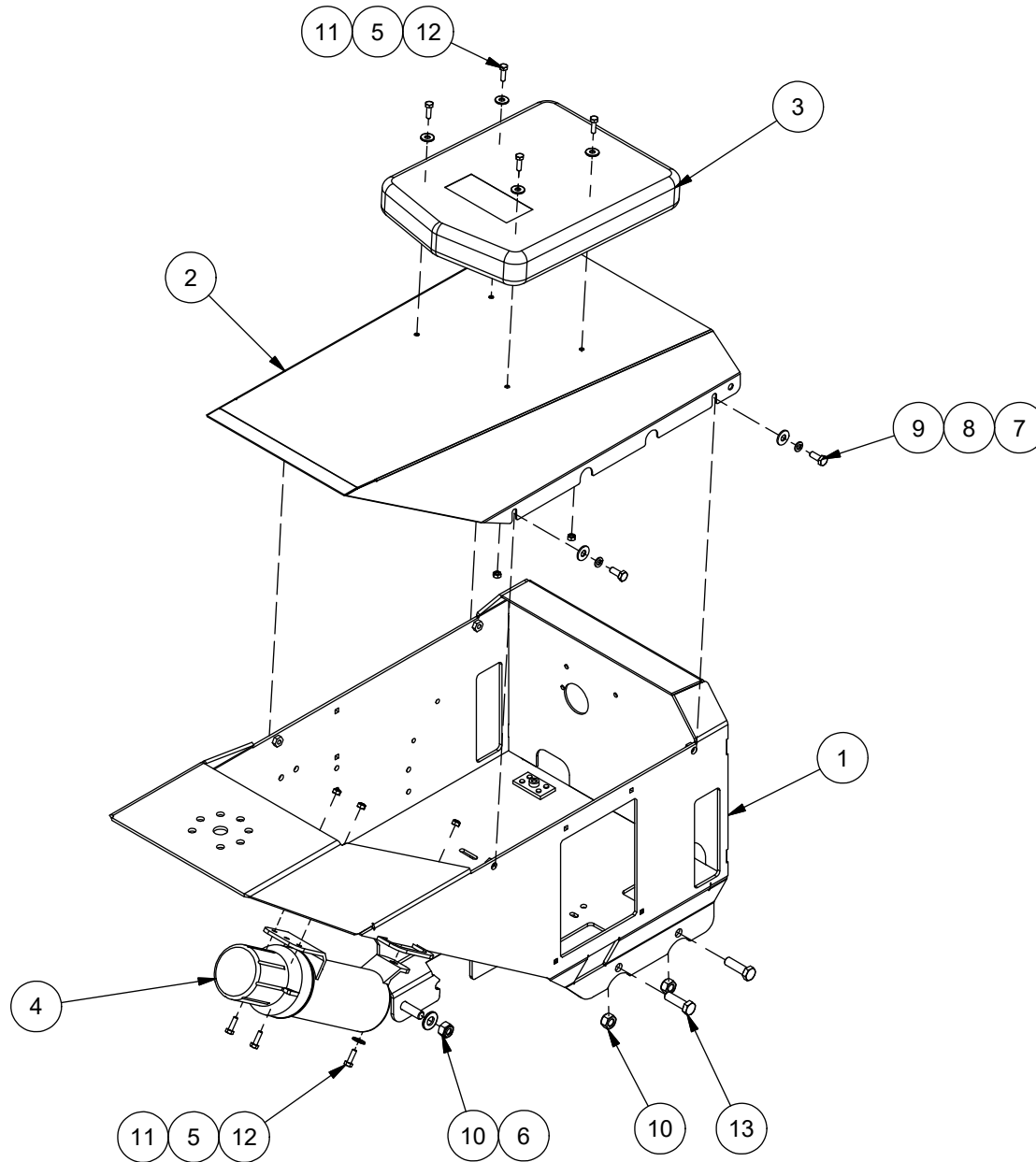


02A - TANDEM AXLE / ESSIEU TANDEM



ITEM	QT	PART/PIECE	ENGLISH DESCRIPTION	DESCRIPTION FRANCAISE	NOTE
1	4	481528	TIRE	PNEU	
2	1	090-TAN-AE	LEFT AXLES	ESSIEUX GAUCHE	
2.1	1	481406	HUB	MOYEU	
2.1.2	2	303491	BEARING 28995 *	ROULEMENT 28995 *	
2.1.3	2	303492	BEARING CUP KOYO-28921 *	CAGE DE ROULEMENT KOYO-28921 *	
2.1.4	1	303490	RADIAL SHAFT SEAL 10000 *	JOINT RADIAL 10000 *	
2.1.5	1	481020	SEAL	BOUCHON	
2.1.6	1	303510	SEAL	JOINT	
2.1.7	8	481006	STUD DE HUB 5/8	GOUJON DE MOYEU 5/8	
2.1.9	4	500040	HEX BOLT GR5 5/16-18 X 1/2	BOULON HEX GR5 5/16-18 X 1/2	
2.1.10	8	501902	HEX WHEEL NUT 5/8-18	ÉCROU DE ROUE 5/8-18	
2.1.11	1	501133	HEX CASTLE NUT FLANGE 1 3/4-12	ÉCROU CHÂTEAU À EMBASE HEX GR5 1 3/4-12	
2.1.12	1	320002	COTTER PIN	GOUPILLE	
3	1	090-TAN-BC	TANDEM SUPPORT	SUPPORT DE TANDEM	
4	1	234144	TANDEM HD AXLE	AXE DE TANDEM HD	
5	1	322299	GREASE FITTING	GRAISSEUR	
6	1	500319	HEX BOLT GR5 1-14 X 1/2 Z	BOULON HEX GR5 1-14 X 2 Z	
7	1	234145	BRACKET	FERRURE	
8	1	090-TAN-BB	RIGHT TANDEM	TANDEM DROITE	
9	12	506038	NYLON NUT M20 X 2.5	ECROU NYLON M20 X 2.5	
10	12	506054	HEX. BOLT M16 X 2.5 X 60mm CL8.8	BOULON HEX. M20 X 2.5 X 60mm CL8.8	

03 - NOSE / NEZ

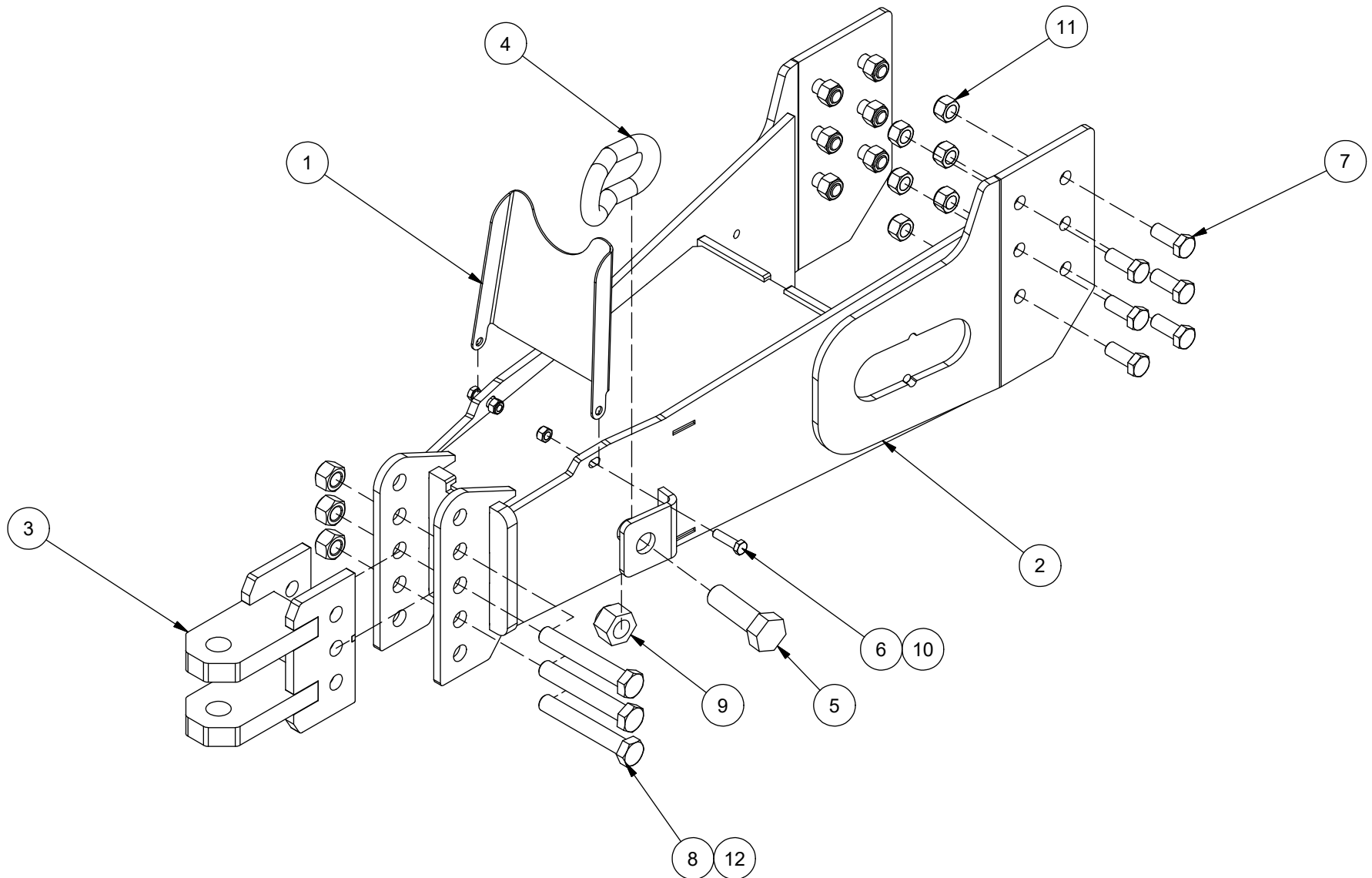


03 - NOSE / NEZ



ITEM	QT	PART/PIECE	ENGLISH DESCRIPTION	DESCRIPTION FRANCAISE	NOTE
1	1	090-FRM-AP	NOSE FRAME	CHÂSSIS DU NEZ	
2	1	090-GRD-057	NOSE CAP	COUVERCLE DU NEZ	
3	1	325109-1	MANUAL CASE	BOITIER DU MANUEL	
4	1	325120	MANUAL CASE	COFFRE DU MANUEL	
5	5	502002	FLAT WASHER 1/4 Z	RONDELLE PLATE 1/4 Z	
6	2	502006	FLAT WASHER 1/2 Z-SAE	RONDELLE PLATE 1/2 Z-SAE	
7	4	502014	FLAT WASHER 5/16 Z	RONDELLE PLATE 5/16 Z	
8	4	502046	LOCK WASHER 5/16 Z	RONDELLE DE BLOCAGE 5/16 Z	
9	4	506000	HEX. BOLT M8 X 1.25 X 20mm CL8.8	BOULON HEX. M8 X 1.25 X 20mm CL8.8	
10	4	506040	NYLON NUT M12 X 1.75	ECROU NYLON M12 X 1.75	
11	7	506050	HEX NUT M6 X 1	ECROU NYLON M6 X 1	
12	7	506124	HEX. BOLT M6 X 1 X 20mm CL8.8	BOULON HEX. M6 X 1 X 20mm CL8.8	
13	4	506129	HEX. BOLT M12 X 1.75 X 40mm CL8.8	BOULON HEX. M12 X 1.75 X 40mm CL8.8	

04 - HITCH / TIMON



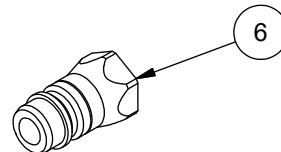
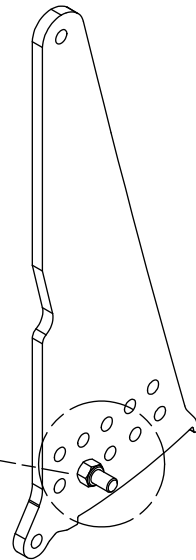
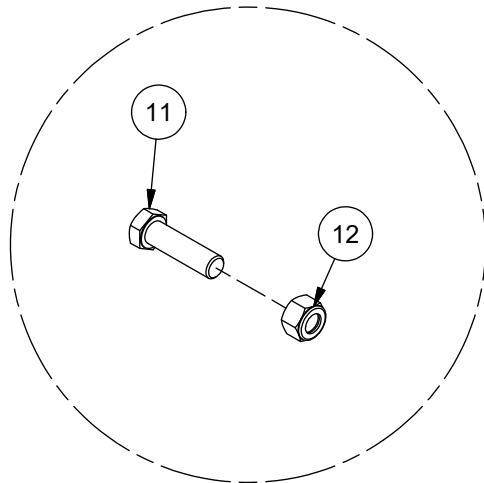
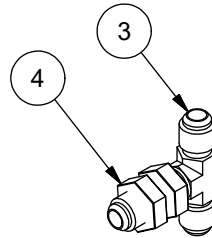
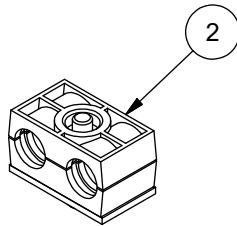
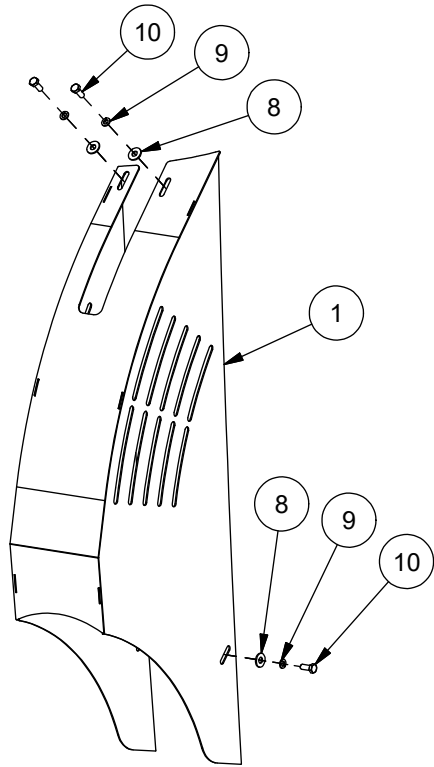
04 - HITCH / TIMON



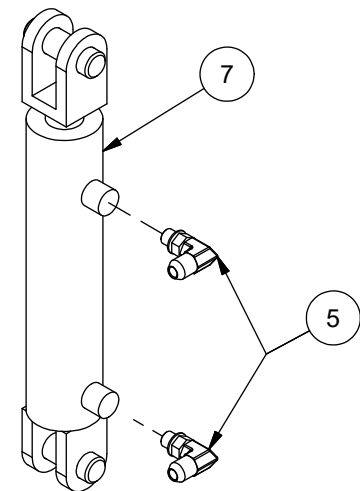
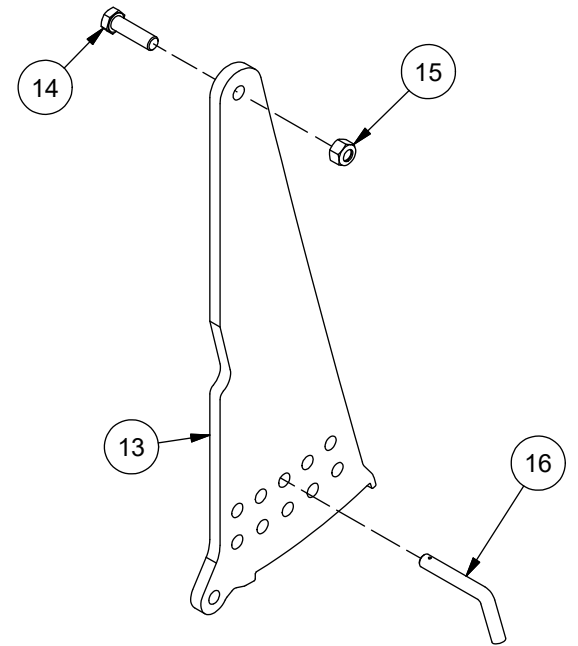
ITEM	QT	PART/PIECE	ENGLISH DESCRIPTION	DESCRIPTION FRANCAISE	NOTE
1	1	090-FRM-508	PTO SUPPORT	SUPPORT DE PTO	
2	1	090-FRM-DE	HITCH	TIMON	
3	1	094-FRM-AR	HAND	MAIN	
4	1	302021	SAFETY CHAIN	CHAINE DE SÉCURITÉ	
5	1	500351	HEX. BOLT 1 1/4 X 4 - NC GR.8	BOULON HEX. 1 1/4 X 4 - NC GR.8	
6	2	506102	HEX. BOLT M12 X 1.75 X 45mm CL8.8	BOULON HEX. M12 X 1.75 X 45mm CL8.8	
7	12	506080	HEX. BOLT M20 X 2.5 X 50mm CL8.8	BOULON HEX. M20 X 2.5 X 50mm CL8.8	
8	3	506175	HEX BOLT M24 X 3 - 130 CL8.8	HBZ M24 X 3 X 130 CL 8.8	
9	1	501078	HEX NYLON LOCKNUT GR5 1 1/4-7 Z	ÉCROU NYLON IND HEX GR5 1 1/4-7 Z	
10	2	506040	NYLON NUT M12 X 1.75	ECROU NYLON M12 X 1.75	
11	12	506038	NYLON NUT M20 X 2.5	ECROU NYLON M20 X 2.5	
12	3	506041	HEX NYLON-INSERT LOCKNUT M24 X 3 CL8 Z	NUT NYLON M24	

05 - RESTRICTOR BLADE / CONTRE-COUTEAU

HYDRAULIC OPTION
OPTION HYDRAULIQUE



STANDARD

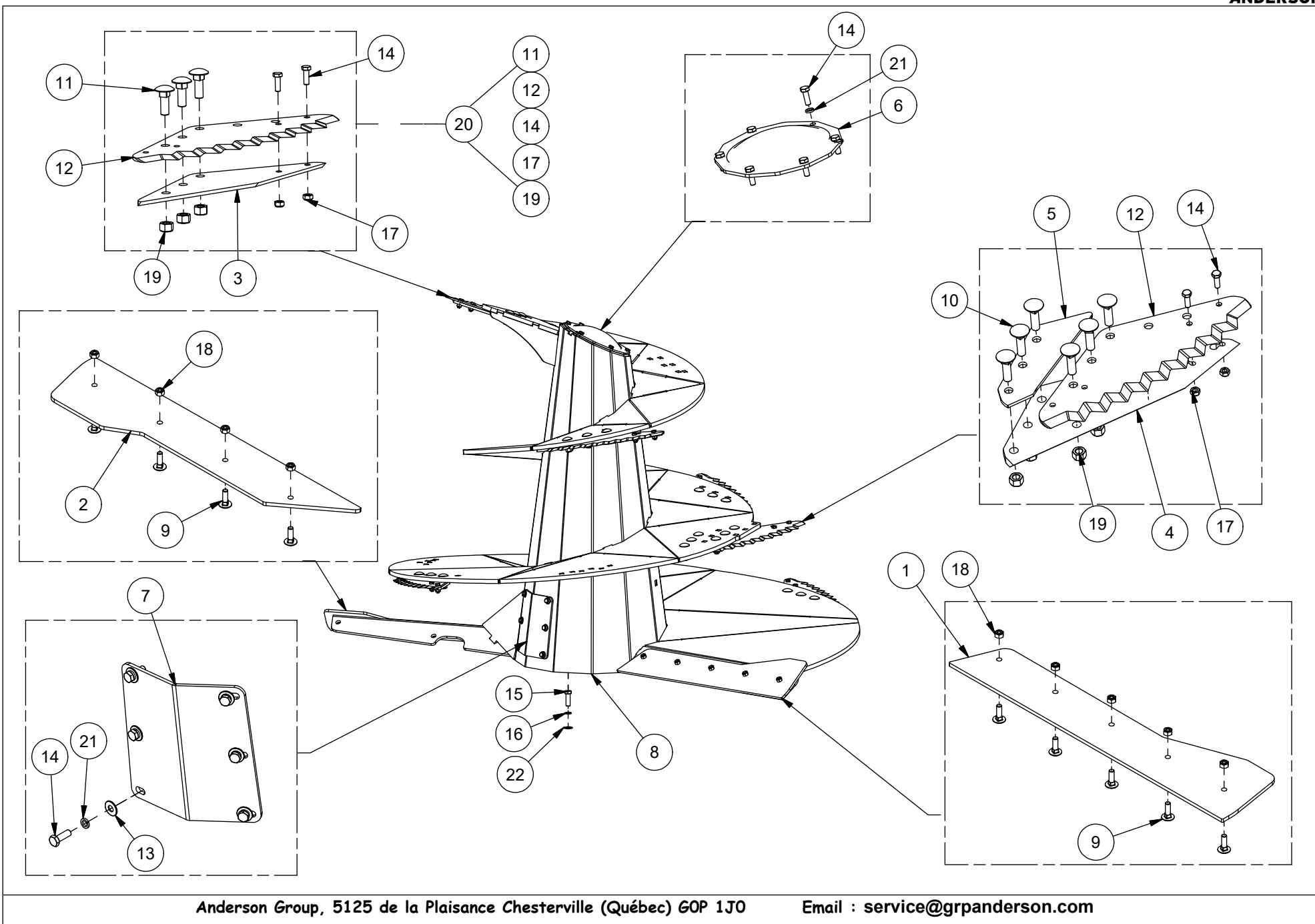


05 - RESTRICTOR BLADE / CONTRE-COUTEAU



HYDRAULIC OPTION / OPTION HYDRAULIQUE					
ITEM	QT	PART/PIECE	ENGLISH DESCRIPTION	DESCRIPTION FRANCAISE	NOTE
1	2	095-GRD-AB	RESTRICTOR BLADE GUARD	GARDE DU CONTRE-COUTEAU	
2	10	320009-3	PIPE CLAMP	SUPPORT BOYAU	
3	2	450858	6 M.JIC - 6 M.JIC	6 M.JIC - 6 M.JIC	
4	4	450897	NUT FOR HYDRAULIC FITTING	ÉCROU POUR ADAPTEUR HYDRAULIQUE	
5	4	451258	6 M.JIC - 4 M.ORB 90°	6 M.JIC - 4 M.ORB 90°	
6	2	452000	1/2 QUICK COUPLER NPTM	RACCORD RAPIDE 1/2 NPTM	
7	2	467357	CYLINDER CL 1505-S	CYLINDRE CL1505-S	SEAL KIT #467814
8	8	502014	FLAT WASHER 5/16 Z	RONDELLE PLATE 5/16 Z	
9	8	502046	LOCK WASHER 5/16 Z	RONDELLE DE BLOCAGE 5/16 Z	
10	8	506000	HEX. BOLT M8 X 1.25 X 20mm CL8.8	BOULON HEX. M8 X 1.25 X 20mm CL8.8	
11	2	506128	HEX. BOLT M20 X 2.5 X 70mm CL8.8	BOULON HEX. M20 X 2.5 X 70mm CL8.8	
12	2	506038	NYLON NUT M20 X 2.5	ECROU NYLON M20 X 2.5	
STANDARD					
13	1	090-CUV-039	ADJUSTABLE RESTRICTOR BLADE	CONTRE-COUTEAU AJUSTABLE	
14	1	506128	HEX. BOLT M20 X 2.5 X 70mm CL8.8	BOULON HEX. M20 X 2.5 X 70mm CL8.8	
15	1	506038	NYLON NUT M20 X 2.5	ECROU NYLON M20 X 2.5	
16	1	320162	3/4 PIN	TIGE Plié 3/4	

06A - BIG HIGH AUGER / GROSSE VIS HAUTE



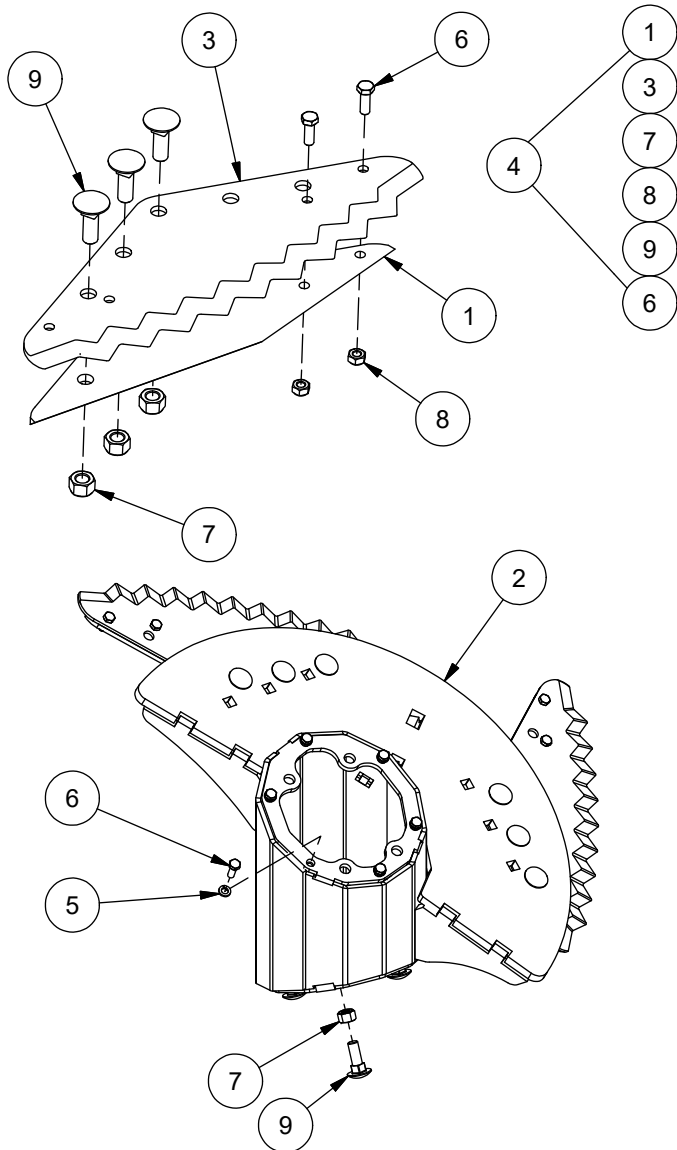
06A - BIG HIGH AUGER / GROSSE VIS HAUTE



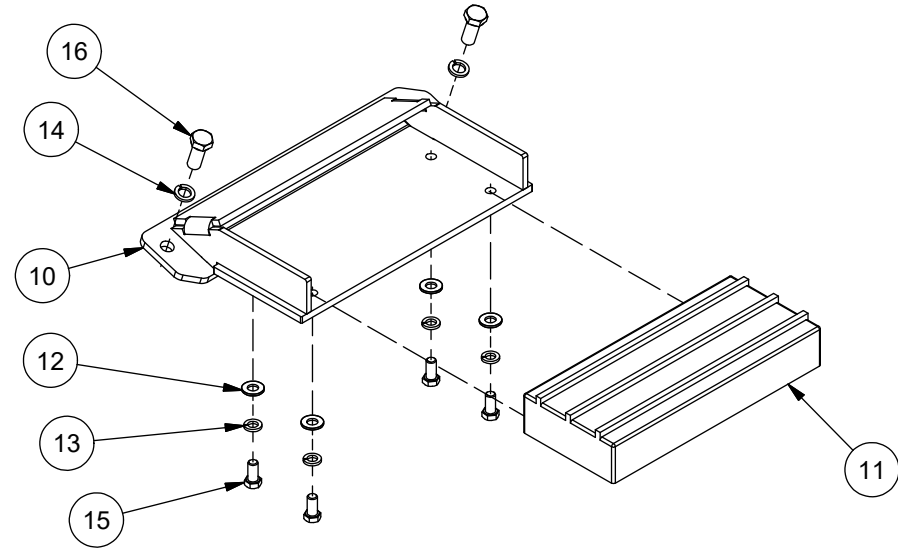
ITEM	QT	PART/PIECE	ENGLISH DESCRIPTION	DESCRIPTION FRANCAISE	NOTE
1	1	090-VIS-018	HELICAL SCRAPER	RACLOIR D'HÉLICE	
2	1	090-VIS-019	SECOND SCRAPER	RACLOIR SECONDAIRE	
3	7	090-VIS-056	STD KNIFE HOLDER FOR SCREW	SUPPORTS À COUTEAUX DES VIS STD	
4	1	090-VIS-211	DEPORT KNIFE HOLDER FOR BIG SCREW	SUPPORT COUTEAU DEPORTER POUR GRANDE VIS	
5	1	090-VIS-212	SHIM DEPORT KNIFE HOLDER FOR BIG SCREW	ESPACEUR SUP.COUTEAU DEPORTER GRANDE VIS	
6	1	090-VIS-AJ	AUGER CAP	CAP DE VIS	
7	2	095-VIS-038	COVER PLATE	COUVERCLE	
8	1	097-VIS-AB	AUGER	VIS	
9	9	507135	CARRIAGE BOLT M12 X 1.75 X 40 CL8.8	BOULON CAROSSERIE M12 X 1.75 X 40 CL8.8	
10	6	506153	CARRIAGE BOLT M16 X 2 X 60 CL8.8	BOULON CAROSSERIE M16 X 2 X 60 CL8.8	
11	21	506154	CARRIAGE BOLT M16 X 2 X 50 CL8.8	CBZ M16 - 2.00 X 50MM CL8.8	
12	8	243065	REVERSIBLE KNIFE	COUTEAU RÉVERSIBLE	
13	12	502004	FLAT WASHER 3/8 Z	RONDELLE PLATE 3/8 Z	
14	34	506009-2	HEX. BOLT M10 X 1.5 X 30mm CL8.8	BOULON HEX. M10 X 1.5 X 30mm CL8.8	
15	15	506076	HEX. BOLT M16 X 2 X 50mm CL8.8	BOULON HEX. M16 X 2 X 50mm CL8.8	
16	15	502049	LOCK WASHER 5/8	RONDELLE DE BLOCAGE 5/8	
17	16	506039	NYLON NUT M10 X 1.5	ECROU NYLON M10 X 1.5	
18	9	506040	NYLON NUT M12 X 1.75	ECROU NYLON M12 X 1.75	
19	27	506037	NYLON NUT M16 X 2	ECROU NYLON M16 X 2	
20	1	243065-KIT	EXTRA KNIFE FOR MIXER	EXTRA COUTEAU POUR MÉLANGEUR	
21	18	502042	LOCK WASHER M10 ZINC	RONDELLE DE BLOCAGE M10 ZINC	
22	15	502008-1	FLAT WASHER 5/8 Z-SAE	RONDELLE PLATE 5/8 Z-SAE	

06B - BIG AUGER OPTION / OPTION GROSSE VIS

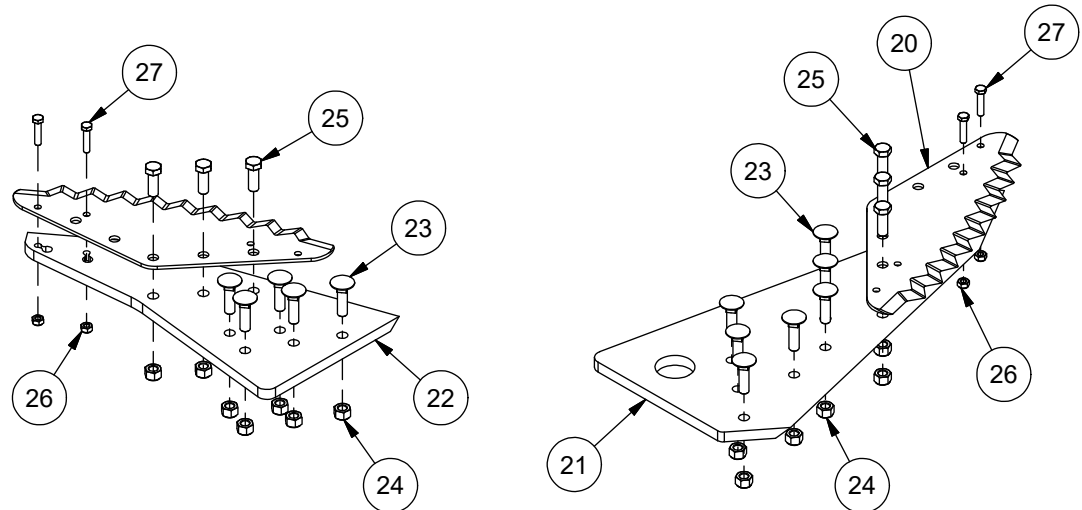
AUGER EXTENSION / EXTENSION DE VIS



MAGNET ON MIXER AUGER / AIMANT SUR VIS MÉLANGEUR



EXTRA OFFSET KNIVES 756 / COUTEAUX EXTRA DÉPORTÉS 756



06B - BIG AUGER OPTION / OPTION GROSSE VIS



AUGER EXTENSION / EXTENSION DE VIS

ITEM	QT	PART/PIECE	ENGLISH DESCRIPTION	DESCRIPTION FRANCAISE	NOTE
1	2	090-VIS-056	STD KNIFE HOLDER FOR SCREW	SUPPORTS À COUTEAUX DES VIS STD	
2	1	090-VIS-AL	AUGER EXTENSION	EXTENSION DE VIS	
3	2	243065	REVERSIBLE KNIFE	COUTEAU RÉVERSIBLE	
4	1	243065-KIT	EXTRA KNIFE FOR MIXER	EXTRA COUTEAU POUR MÉLANGEUR	
5	6	502047	LOCK WASHER 7/16	RONDELLE DE BLOCAGE 7/16	
6	10	506009-2	HEX. BOLT M10 X 1.5 X 30mm CL8.8	BOULON HEX. M10 X 1.5 X 30mm CL8.8	
7	12	506037	NYLON NUT M16 X 2	ECROU NYLON M16 X 2	
8	4	506039	NYLON NUT M10 X 1.5	ECROU NYLON M10 X 1.5	
9	12	506154	CARRIAGE BOLT M16 X 2 X 50 CL8.8	CBZ M16 - 2.00 X 50MM CL8.8	

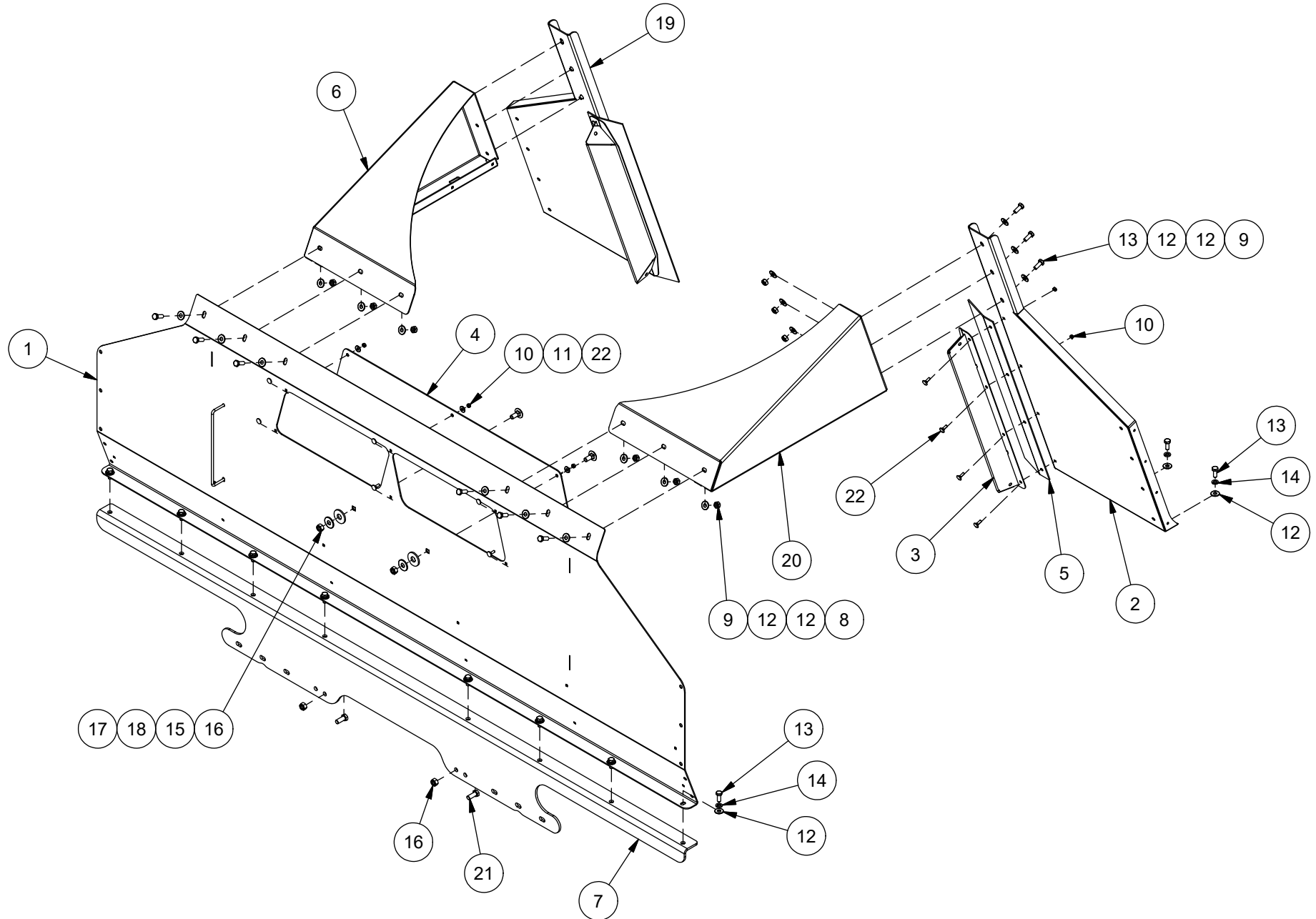
MAGNET ON MIXER AUGER / AIMANT SUR VIS MÉLANGEUR

ITEM	QT	PART/PIECE	ENGLISH DESCRIPTION	DESCRIPTION FRANCAISE	NOTE
10	1	095-VIS-AI	MAGNET HOLDER	SUPPORT A AIMENT	
11	1	250337	PERMANENT MAGNET NEODYMIUM	AIMENT PERMANENT EN NEODYME	
12	4	502006	FLAT WASHER 1/2 Z-SAE	RONDELLE PLATE 1/2 Z-SAE	
13	4	502048	LOCK WASHER 1/2	RONDELLE DE BLOCAGE 1/2	
14	2	502049	LOCK WASHER 5/8	RONDELLE DE BLOCAGE 5/8	
15	4	506008-1	HEX. BOLT M12 X 1.75 X 25mm CL8.8	BOULON HEX. M12 X 1.75 X 25mm CL8.8	
16	2	506012	HEX. BOLT M16 X 2 X 40mm CL8.8	BOULON HEX. M16 X 2 X 40mm CL8.8	

EXTRA OFFSET KNIVES 756 / COUTEAUX EXTRA DÉPORTÉS 756

ITEM	QT	PART/PIECE	ENGLISH DESCRIPTION	DESCRIPTION FRANCAISE	NOTE
20	2	243065	REVERSIBLE KNIFE	COUTEAU RÉVERSIBLE	
21	1	090-VIS-101	JORDAN KNIFE HOLDER BIG SCREW	SUPPORT COUTEAU JORDAN GROSSE VIS	
22	1	090-VIS-104	JORDAN KNIFE HOLDER BIG SCREW	SUPPORT COUTEAU JORDAN GROSSE VIS	
23	12	506153	CARRIAGE BOLT M16 X 2 X 60 CL8.8	BOULON CARROSSERIE M16 X 2 X 60 CL8.8	
24	18	506037	NYLON NUT M16 X 2	ECROU NYLON M16 X 2	
25	6	506020	HEX. BOLT M16 X 2 X 45mm CL8.8	BOULON HEX. M16 X 2 X 45mm CL8.8	
26	4	506039	NYLON NUT M10 X 1.5	ECROU NYLON M10 X 1.5	
27	4	506068	HEX. BOLT M10 X 1.5 X 45mm CL8.8	BOULON HEX. M10 X 1.5 X 45mm CL8.8	

07 - TRANSFER PANEL / PANNEAU DE TRANSFERT

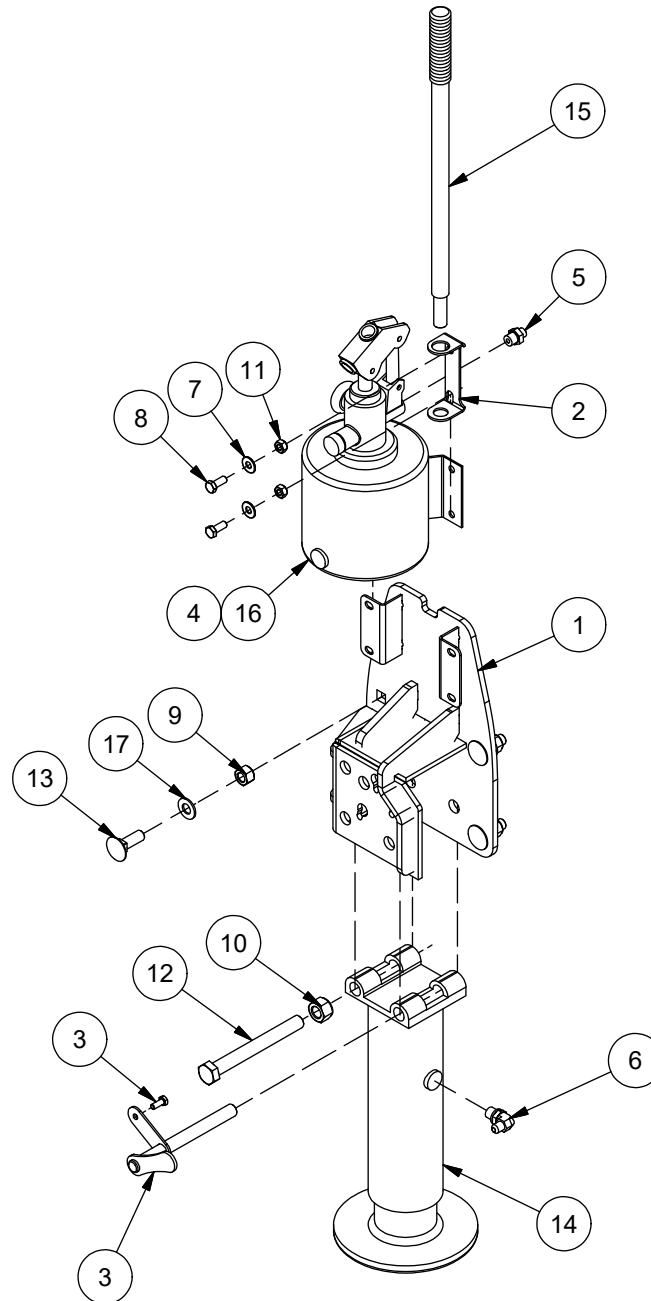


07 - TRANSFER PANEL / PANNEAU DE TRANSFERT



ITEM	QT	PART/PIECE	ENGLISH DESCRIPTION	DESCRIPTION FRANCAISE	NOTE
1	1	090-GRD-AG	FRONT PANEL	PANNEAU AVANT	
2	1	098-GRD-AB	REAR PANEL	PANNEAU ARRIERE	
3	2	090-GRD-AJ	GUIDE	GUIDE	
4	1	250007	RIGID CLEAR PVC 1/8 po	PVC RIGIDE CLAIR 1/8 po	
5	2	250059	RUBBER BELT I150-2	COURROIE I150-2	
6	1	098-GRD-001	TOP PANEL	PANNEAU DU HAUT	
7	1	090-CON-DW	MOUNTING PLATE	PLAQUE DE FIXATION	
8	6	506009-2	HEX. BOLT M10 X 1.5 X 30mm CL8.8	BOULON HEX. M10 X 1.5 X 30mm CL8.8	
9	12	506039	NYLON NUT M10 X 1.5	ECROU NYLON M10 X 1.5	
10	14	506050	HEX NUT M6 X 1	ECROU NYLON M6 X 1	
11	6	502002	FLAT WASHER 1/4 Z	RONDELLE PLATE 1/4 Z	
12	38	502004	FLAT WASHER 3/8 Z	RONDELLE PLATE 3/8 Z	
13	20	506009-1	HEX. BOLT M10 X 1.5 X 25mm CL8.8	BOULON HEX. M10 X 1.5 X 25mm CL8.8	
14	14	502047	LOCK WASHER 7/16	RONDELLE DE BLOCAGE 7/16	
15	2	502006-1	FLAT WASHER 1/2 Z	RONDELLE PLATE 1/2 Z	
16	4	506040	NYLON NUT M12 X 1.75	ECROU NYLON M12 X 1.75	
17	2	500701	CARRIAGE BOLT M12 X 1.75 X 30 CL8.8	BOULON CAROSSERIE M12 X 1.75 X 30 CL8.8	
18	2	502008	FLAT WASHER 5/8 Z	RONDELLE PLATE 5/8 Z	
19	1	098-GRD-AD	REAR PANEL	PANNEAU ARRIERE	
20	1	098-GRD-006	TOP PANEL	PANNEAU DU HAUT	
21	2	506008-2	HEX. BOLT M12 X 1.75 X 30mm CL8.8	BOULON HEX. M12 X 1.75 X 30mm CL8.8	
22	14	500706	CBZ M6 X 1.0 X 20 CL8.8	CBZ M6 X 1.0 X 20 CL8.8	

08 - HYDRAULIC JACK / BÉQUILLE HYDRAULIQUE



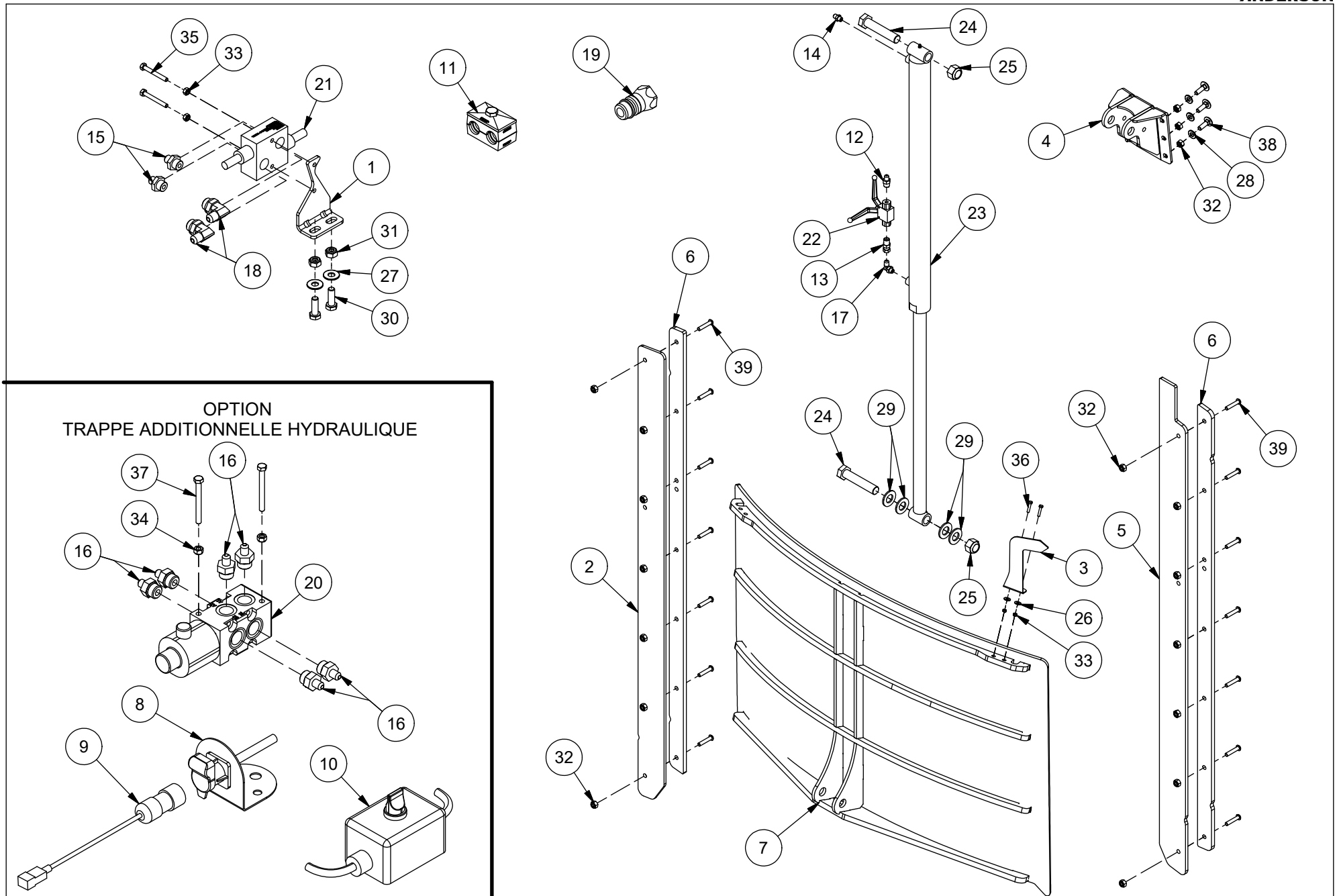
08 - HYDRAULIC JACK / BÉQUILLE HYDRAULIQUE



ANDERSON

ITEM	QT	PART/PIECE	ENGLISH DESCRIPTION	DESCRIPTION FRANCAISE	NOTE
1	1	090-FRM-AF	JACK SUPPORT	SUPPORT DE BÉQUILLE	
2	1	090-PIE-001	LEVER HOLDER	PORTE-LEVIER	
3	1	090-PIE-AB	JACK PIN	GOUPILLE DE BÉQUILLE	
4	4	404273	TRANSMISSION OIL (1 L)	HUILE TRANSMISSION (1 L)	
5	1	451359	82505-6-6 ADAP. MALE JIC/MALE BSPP	82505-6-6 ADAP. MALE JIC/MALE BSPP	
6	1	452620	6 M.JIC - 6 M.BSPP	6 M.JIC - 6 M.BSPP	
7	4	502004	FLAT WASHER 3/8 Z	RONDELLE PLATE 3/8 Z	
8	4	506009-1	HEX. BOLT M10 X 1.5 X 25mm CL8.8	BOULON HEX. M10 X 1.5 X 25mm CL8.8	
9	4	506037	NYLON NUT M16 X 2	ECROU NYLON M16 X 2	
10	1	506038	NYLON NUT M20 X 2.5	ECROU NYLON M20 X 2.5	
11	4	506039	NYLON NUT M10 X 1.5	ECROU NYLON M10 X 1.5	
12	1	506174	HEX. BOLT M20 X 2.5 X 180mm CL10.9	BOULON HEX. M20 X 2.5 X 180mm CL10.9	
13	4	506154	CARRIAGE BOLT M16 X 2 X 50 CL8.8	CBZ M16 - 2.00 X 50MM CL8.8	
14	1	250027	JACK'S FOOT	BÉQUILLE SANS CYLINDRE	
15	1	250030	JACK LEVER	LEVIER DE CRIC	
16	1	250028-1	TANK AND PUMP ASS	POMPE ET RÉSERVOIR ASS	
17	4	502008-1	FLAT WASHER 5/8 Z-SAE	RONDELLE PLATE 5/8 Z-SAE	

09 - HATCH / TRAPPE

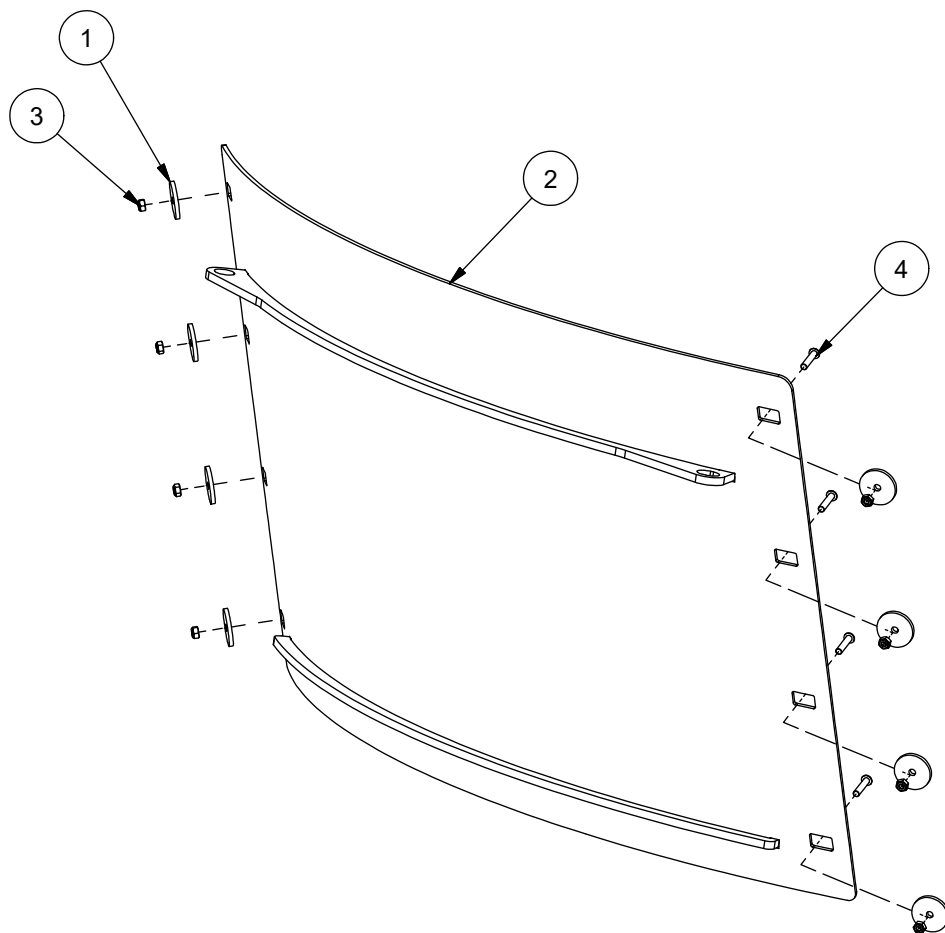


09 - HATCH / TRAPPE



ITEM	QT	PART/PIECE	ENGLISH DESCRIPTION	DESCRIPTION FRANCAISE	NOTE
1	1	090-HYD-002	RELIEF VALVE SUPPORT	SUPPORT DE LIMITEUR DE PRESSION	
2	1	090-TRP-095	HATCH GUIDE	GUIDE DE TRAPPE	
3	1	090-TRP-118	HATCH OPENNING INDICATOR	INDICATEUR D'OUVERTURE DE TRAPPE	
4	1	090-TRP-AN	HATCH CYLINDER SUPPORT	SUPPORT DE CYLINDRE POUR TRAPPE	
5	1	091-TRP-055	HATCH GUIDE	GUIDE DE TRAPPE	
6	2	091-TRP-066	HATCH GUIDE	GUIDE DE TRAPPE	
7	1	095-TRP-AF	HATCH	TRAPPE	
8	1	240142	POWER SUPPLY 25 amp	PRISE DE COURANT 25 amp	
9	1	315273	POWER EXTENSION CABLE	FIL RALLONGE D'ALIMENTATION	
10	1	315277	SINGLE SWITCH	INTERRUPTEUR SIMPLE	
11	8	320009-3	PIPE CLAMP	SUPPORT BOYAU	
12	1	450542	6 M.JIC - 6 M.NPT	6 M.JIC - 6 M.NPT	
13	1	450994	6 F.JIC - 6 M.NPT	6 F.JIC - 6 M.NPT	
14	1	451171	6 M.JIC- 6M.ORB	6 M.JIC- 6M.ORB	
15	2	451172	6 M JIC - 8 M ORB	6 M JIC - 8 M ORB	
16	6	451173	6 M.JIC - 10 M.ORB	6 M.JIC - 10 M.ORB	
17	1	451260	6 M.JIC - 6 M.ORB 90°	6 M.JIC - 6 M.ORB 90°	
18	2	451261	6 M.JIC - 8 M.ORB	6 M.JIC - 8 M.ORB	
19	2	452000	1/2 QUICK COUPLER NPTM	RACCORD RAPIDE 1/2 NPTM	
20	1	465930	HYDRAULIC VALVE	VALVE HYDRAULIQUE	
21	1	466004	CUSHION VALVE	LIMTEUR DE PRESSION	
22	1	466998	HYDRAULIC VALVE	VALVE HYDRAULIQUE	
23	1	467355	CYLINDER HBU 2030-S	CYLINDRE HBU 2030-S	SEAL KIT #467833
24	2	500333	HEX BOLT GR5 1-8 X 5 Z	BOULON HEX GR5 1-8 X 5 Z	
25	2	501037	HEX NYLON LOCKNUT GR5 1-8 Z	ÉCROU NYLON IND HEX GR5 1-8 Z	
26	2	502002	FLAT WASHER 1/4 Z	RONDELLE PLATE 1/4 Z	
27	2	502004	FLAT WASHER 3/8 Z	RONDELLE PLATE 3/8 Z	
28	6	502006	FLAT WASHER 1/2 Z-SAE	RONDELLE PLATE 1/2 Z-SAE	
29	4	502011-1	FLAT WASHER SAE 1 in ZINC	RONDELLE PLATE SAE 1 po ZINC	
30	2	506009-2	HEX. BOLT M10 X 1.5 X 30mm CL8.8	BOULON HEX. M10 X 1.5 X 30mm CL8.8	
31	2	506039	NYLON NUT M10 X 1.5	ECROU NYLON M10 X 1.5	
32	20	506040	NYLON NUT M12 X 1.75	ECROU NYLON M12 X 1.75	
33	4	506050	HEX NUT M6 X 1	ECROU NYLON M6 X 1	
34	2	506051	NYLON NUT M8 X 1.25	ECROU NYLON M8 X 1.25	
35	2	506085	HEX. BOLT M6 X 1 X 50mm CL8.8	BOULON HEX. M6 X 1 X 50mm CL8.8	
36	2	506109	HEX. BOLT M6 X 1 X 20mm CL8.8	BOULON HEX. M6 X 1 X 20mm CL8.8	
37	2	506122	HEX. BOLT M8 X 1.25 X 80mm CL8.8	BOULON HEX. M8 X 1.25 X 80mm CL8.8	
38	6	507135	CARRIAGE BOLT M12 X 1.75 X 40 CL8.8	BOULON CAROSSERIE M12 X 1.75 X 40 CL8.8	
39	14	507150	BOTTOM SOCKET HEAD M10-1.5 X 50 FT CL12.9	VIS A TETE RONDE 6 PANS M10-1.5 X 50 FT CL12.9	

10 - REAR COVER / BOUCHON



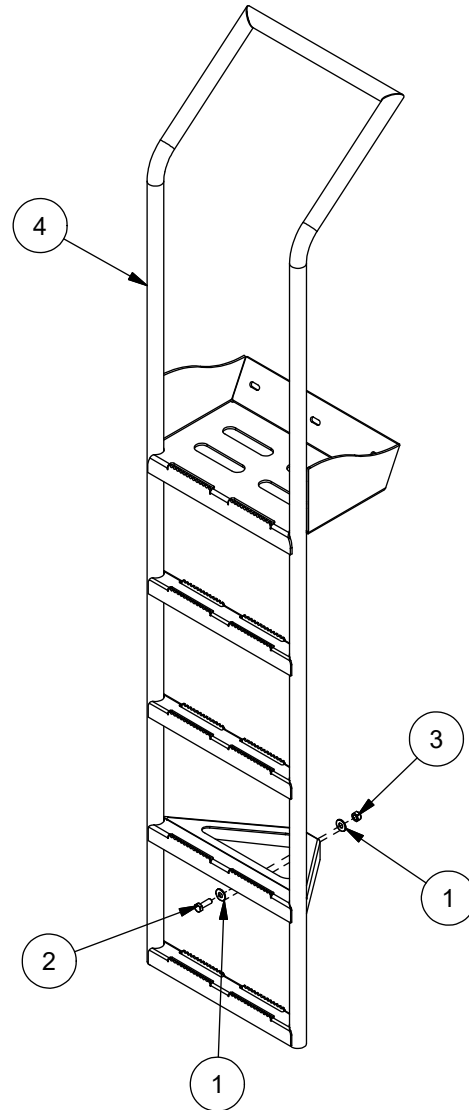
10 - REAR COVER / BOUCHON



ANDERSON

ITEM	QT	PART/PIECE	ENGLISH DESCRIPTION	DESCRIPTION FRANCAISE	NOTE
1	8	090-TRP-208	WASHER	RONDELLE	
2	1	095-TRP-AG	HATCH	TRAPPE	
3	8	506039	NYLON NUT M10 X 1.5	ECROU NYLON M10 X 1.5	
4	4	507150	BOTTOM SOCKET HEAD M10-1.5 X 50 FT CL12.9	VIS A TETE RONDE 6 PANS M10-1.5 X 50 FT CL12.9	

11 - LADDER / ÉCHELLE



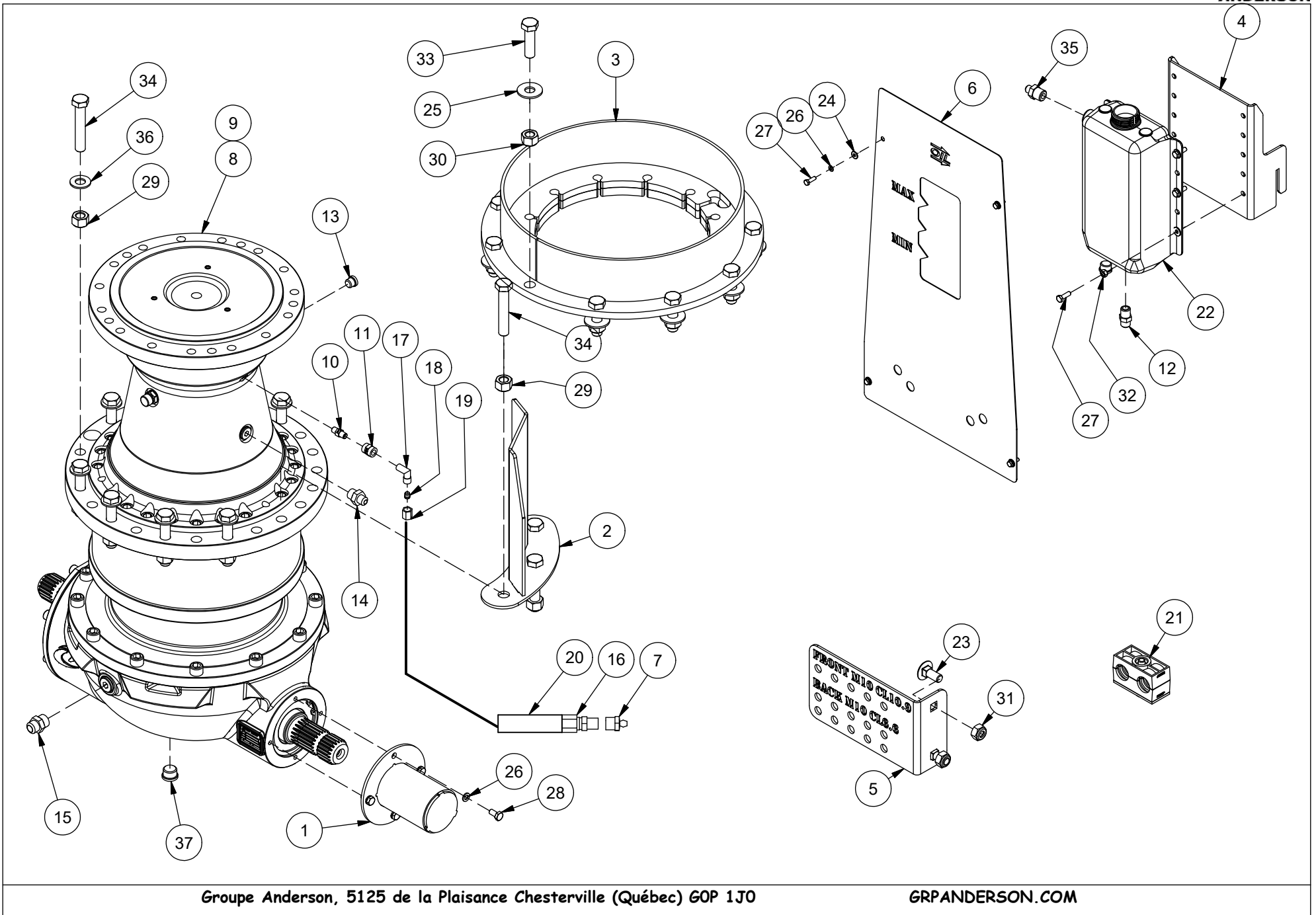
11 - LADDER / ÉCHELLE



ANDERSON

ITEM	QT	PART/PIECE	ENGLISH DESCRIPTION	DESCRIPTION FRANCAISE	NOTE
4	1	090-ECH-AB	LADDER	ÉCHELLE	
1	2	502004	FLAT WASHER 3/8 Z	RONDELLE PLATE 3/8 Z	
2	1	506009-2	HEX. BOLT M10 X 1.5 X 30mm CL8.8	BOULON HEX. M10 X 1.5 X 30mm CL8.8	
3	1	506039	NYLON NUT M10 X 1.5	ECROU NYLON M10 X 1.5	

12A - REAR TRANSMISSION / TRANSMISSION ARRIÈRE / 2103

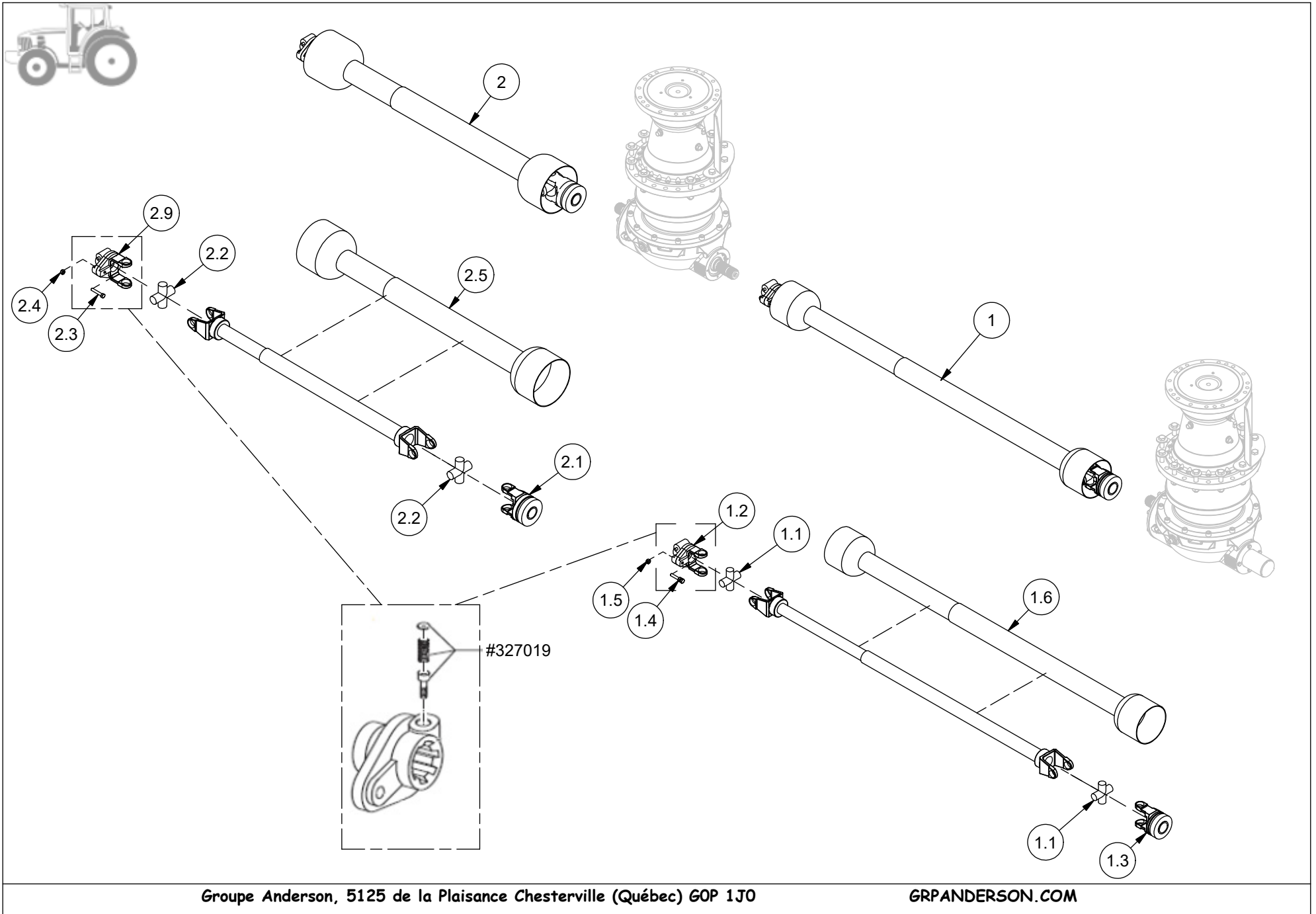


12A - REAR TRANSMISSION / TRANSMISSION ARRIÈRE / 2103



ITEM	QT	PART/PIECE	ENGLISH DESCRIPTION	DESCRIPTION FRANCAISE	NOTE
1	1	090-GRD-AQ	TRANSMISSION GUARD	GARDE DE TRANSMISSION	
2	2	090-TRA-BU	TRANSMISSION HOSE GUARD	PROTECTEUR DE TUYAUX TRANSMISSION	
3	2	098-CUV-BA	GEARBOX ADAPTER	ADAPTATEUR DE PLANETAIRE	
4	2	098-TRA-007	SUPPORT PLATE	PLAQUE DE SUPPORT	
5	1	098-TRA-008	SHEAR BOLT SUPPORT	SUPPORT À BOULON DE CISAILLEMENT	
6	2	098-TRA-013	OIL TANK PANEL	PANNEAU POUR RÉSERVOIR D'HUILE	
7	2	322295	GREASE FITTING	GRAISSEUR	
8	2	325385	GEARBOX PGA 2103 R29.9	BOITIER PGA 2103 R29.9	
9	2	404500	ISO 220 SYNTHETIC CASTROL OIL 205L	HUILE CASTROL ISO 220 SYNTHÉTIQUE 205L	
10	2	450000	2 MNPT - 2 MNPT	2 MNPT - 2 MNPT	
11	2	450100	2 FNPT - 2 FNPT	2 FNPT - 2 FNPT	
12	2	450548	8 M JIC - 8 M NPT	8 M JIC - 8 M NPT	
13	2	451354	PLUG 6 M. ORB	PLUG 6 M. ORB	
14	2	451359	82505-6-6 ADAP. MALE JIC/MALE BSPP	82505-6-6 ADAP. MALE JIC/MALE BSPP	
15	2	451373	82505-6-6 ADAP. MALE JIC/MALE BSPP	82505-6-6 ADAP. MALE JIC/MALE BSPP	
16	2	451445	GREASE FITTING	ADAPTEUR DE GRAISSAGE	
17	2	452617	TN94-06LNPT ELBOW 90-TUBE/MALE NPTF	TN94-06LNPT COUDE 90-TUBE/MALE NPTF	
18	2	452618	TN88-6LS SLEEVE FOR FLARELESS TUBE END	TN88-6LS BAGUE SANS EVASEMENT	
19	2	452619	TN81-6L TUBE NUT	TN81-6L ECROU DE SERRAGE	
20	1	250339	LUBRIFICATION HOSE (13' LONG)	BOYAU DE GRAISSAGE (13, LONG)	
21	4	470051	DOUBLE HOSE HOLDER 21.3mm (0.84")	SUPPORT BOYAU DOUBLE 21.3mm (0.84")	
22	2	470073	TANK 5 QUART	RESERVOIR 5 QUART	
23	2	500700	CARRIAGE BOLT M10 X 1.50 X 25 CL4.6	BOULON CARROSSERIE M10 X 1.50 X 25 CL4.6	
24	20	502002	FLAT WASHER 1/4 Z	RONDELLE PLATE 1/4 Z	
25	22	502009	FLAT WASHER 3/4 Z	RONDELLE PLATE 3/4 Z	
26	12	502046	LOCK WASHER 5/16 Z	RONDELLE DE BLOCAGE 5/16 Z	
27	20	506001	HEX. BOLT M8 X 1.25 X 25mm CL8.8	BOULON HEX. M8 X 1.25 X 25mm CL8.8	
28	4	506004-1	HEX. BOLT M8 X 1.25 X 16mm CL8.8	BOULON HEX. M8 X 1.25 X 16mm CL8.8	
29	24	506037	NYLON NUT M16 X 2	ECROU NYLON M16 X 2	
30	22	506038	NYLON NUT M20 X 2.5	ECROU NYLON M20 X 2.5	
31	7	506039	NYLON NUT M10 X 1.5	ECROU NYLON M10 X 1.5	
32	12	506051	NYLON NUT M8 X 1.25	ECROU NYLON M8 X 1.25	
33	22	506128	HEX. BOLT M20 X 2.5 X 70mm CL8.8	BOULON HEX. M20 X 2.5 X 70mm CL8.8	
34	24	506181	HEX. BOLT M16 X 2 X 90mm CL8.8	BOULON HEX. M16 X 2 X 90mm CL8.8	
35	2	450549	8 M.JIC - 12 M.NPT	8 M.JIC - 12 M.NPT	
36	18	502008-1	FLAT WASHER 5/8 Z-SAE	RONDELLE PLATE 5/8 Z-SAE	
37	1	470145	PLUG 1/2 GAZ MAGNETIC W/COPPER WASHER	BOUCHON 1/2 GAZ MAGNET + RONDELLE CUIVRE	RONDELLE CUIVRE / COPPER WASHER #470147

12B- REAR TRANSMISSION (PTO) / TRANSMISSION ARRIÈRE (PTO) / 2103



12B- REAR TRANSMISSION (PTO) / TRANSMISSION ARRIÈRE (PTO) / 2103



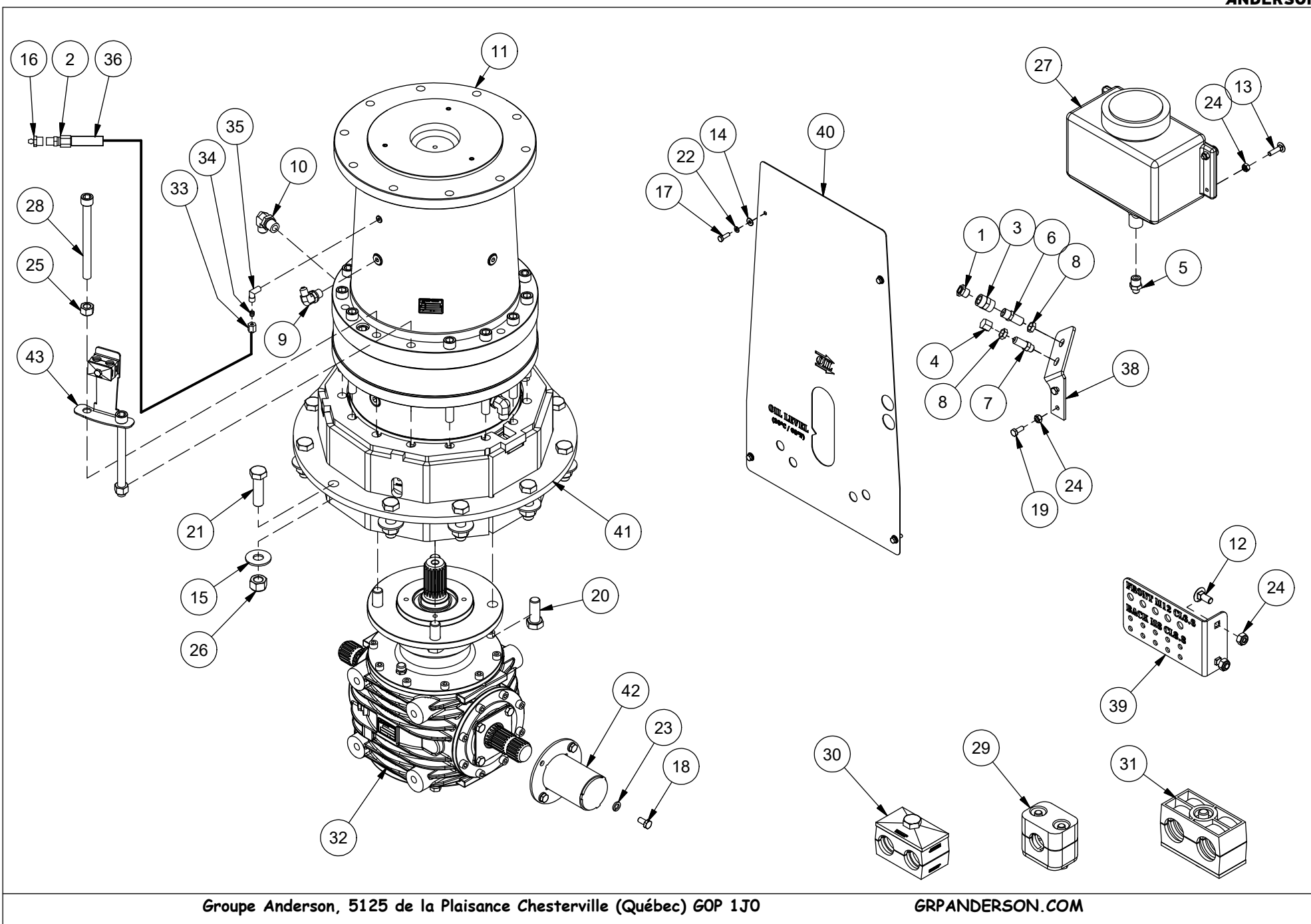
#325454 - PRIMARY PTO / PTO PRIMAIRE

ITEM	QT	PART/PIECE	ENGLISH DESCRIPTION	DESCRIPTION FRANCAISE	NOTE
2	1	325454	T80-101P028428-28XXXX-W / GR./F	T80-101P028428-28XXXX-W / GR./F	
2.1	1	327060	YOKE SC 1 3/4 Z20	MACHOIRE SC 1 3/4 Z20	
2.2	2	325323	CROSS	CROISILLON	
2.3	1	506158	HEX. BOLT M10 X 1.5 X 60mm CL10.9	BOULON HEX. M10 X 1.5 X 60mm CL10.9	SHEAR BOLT / BOULON DE CISAILLEMENT
2.4	1	506039	NYLON NUT M10 X 1.5	ECROU NYLON M10 X 1.5	
2.9	1	327063	YOKE SB 1 3/4 Z20	MACHOIRE SB 1 3/4 Z20	
2.5	1	327077	PTO GUARD T80-101P02842-280075	GARDE PTO T80-101P02842-280075	

#325384 - SECONDARY PTO / PTO SECONDAIRE

ITEM	QT	PART/PIECE	ENGLISH DESCRIPTION	DESCRIPTION FRANCAISE	NOTE
1	1	325384	T80-121P028428-2800XX	T80-121P028428-2800XX	
1.1	2	325322	CROSS	CROISILLON	
1.2	1	327062	YOKE SB 1 3/4 Z20	MACHOIRE SB 1 3/4 Z20	
1.3	1	327061	YOKE SC 1 3/4 Z20	MACHOIRE SC 1 3/4 Z20	
1.4	1	506502	HEX. BOLT M10 X 1.5 X 60 mm CL6.6	BOULON HEX. M10 X 1.5 X 60 mm CL6.6	SHEAR BOLT / BOULON DE CISAILLEMENT
1.5	1	506039	NYLON NUT M10 X 1.5	ECROU NYLON M10 X 1.5	
1.6	1	327076	PTO GUARD T60-121P026555-260004	GARDE PTO T60-121P026555-260004	

12C - REAR TRANSMISSION / TRANSMISSION ARRIÈRE / 3002

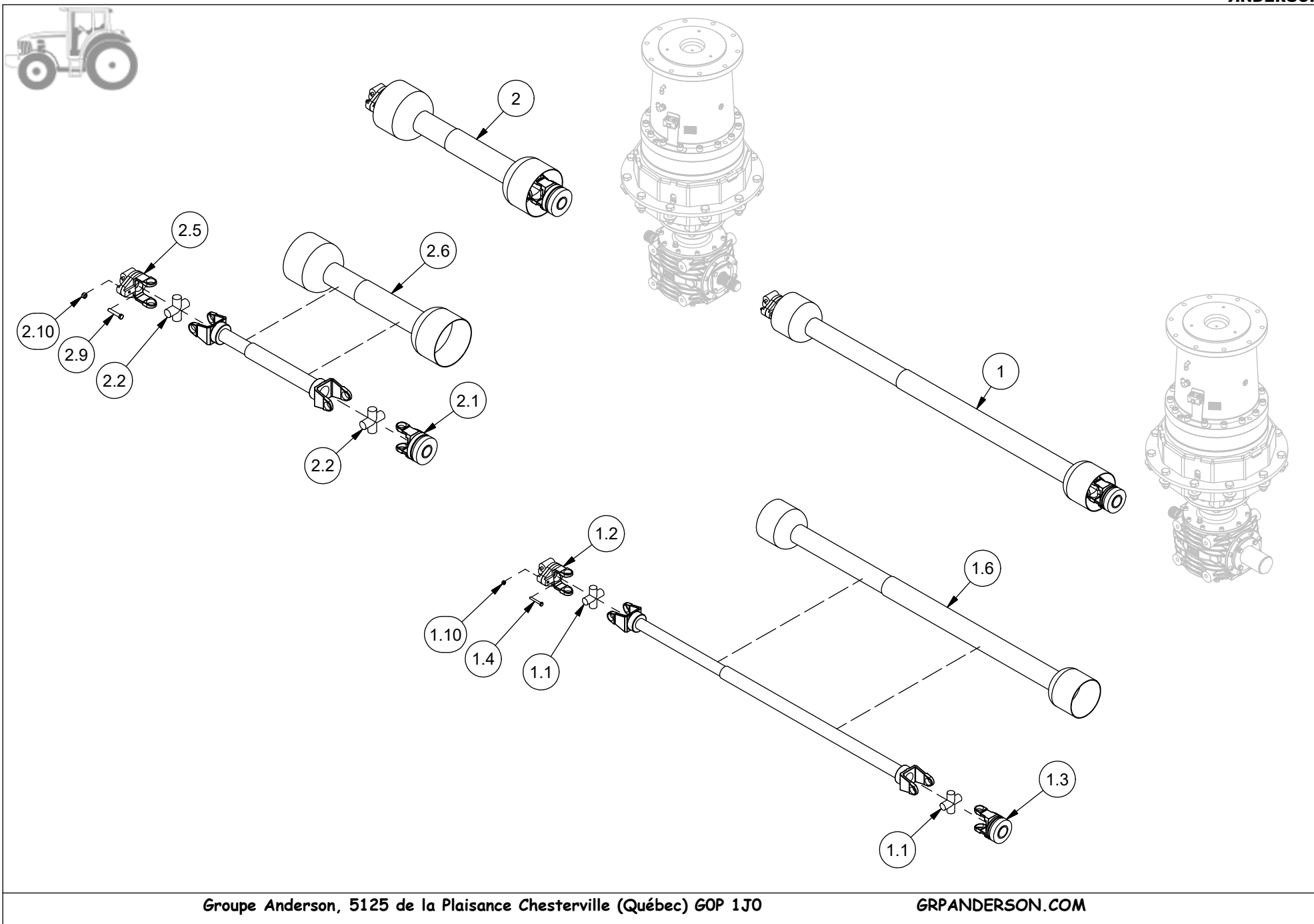


12C - REAR TRANSMISSION / TRANSMISSION ARRIÈRE / 3002



ITEM	QT	PART/PIECE	ENGLISH DESCRIPTION	DESCRIPTION FRANCAISE	NOTE
1	2	470993	HYDRAULIC FITTING	ADAPTEUR HYDRAULIQUE	
2	4	451445	GREASE FITTING	ADAPTEUR DE GRAISSAGE	
3	2	450108	HYDRAULIC FITTING	ADAPTEUR HYDRAULIQUE	
4	2	450505	HYDRAULIC FITTING	ADAPTEUR HYDRAULIQUE	
5	2	450549	8 M.JIC - 12 M.NPT	8 M.JIC - 12 M.NPT	
6	2	451457	8 M.JIC - 8 M.NPT	8 M.JIC - 8 M.NPT	
7	2	450659	6 M.JIC - 6 M.JIC LONG	6 M.JIC - 6 M.JIC LONG	
8	4	450899	BH NUT 8	BH NUT 8	
9	2	452620	6 M.JIC - 6 M.BSPP	6 M.JIC - 6 M.BSPP	
10	4	452625	6 M.JIC - 6 M.BSPP	6 M.JIC - 6 M.BSPP	
11	2	325382	GEARBOX PGA 3002 VM 22.4	BOITIER D'ENGRENAGE PGA 3002 VM 22.4	
12	2	500700	CARRIAGE BOLT M10 X 1.50 X 25 CL4.6	BOULON CAROSSERIE M10 X 1.50 X 25 CL4.6	
13	8	500707	CARRIAGE BOLT M10 X 1.50 X 40 CL8.8	BOULON CAROSSERIE M10 X 1.50 X 40 CL8.8	
14	8	502002	FLAT WASHER 1/4 Z	RONDELLE PLATE 1/4 Z	
15	22	502009	FLAT WASHER 3/4 Z	RONDELLE PLATE 3/4 Z	
16	4	322295	GREASE FITTING	GRAISSEUR	
17	8	506001	HEX. BOLT M8 X 1.25 X 25mm CL8.8	BOULON HEX. M8 X 1.25 X 25mm CL8.8	
18	4	506009	HEX. BOLT M10 X 1.5 X 20mm CL8.8	BOULON HEX. M10 X 1.5 X 20mm CL8.8	
19	4	506009-1	HEX. BOLT M10 X 1.5 X 25mm CL8.8	BOULON HEX. M10 X 1.5 X 25mm CL8.8	
20	8	506080	HEX. BOLT M20 X 2.5 X 50mm CL8.8	BOULON HEX. M20 X 2.5 X 50mm CL8.8	
21	22	506128	HEX. BOLT M20 X 2.5 X 70mm CL8.8	BOULON HEX. M20 X 2.5 X 70mm CL8.8	
22	8	502046	LOCK WASHER 5/16 Z	RONDELLE DE BLOCAGE 5/16 Z	
23	4	502047	LOCK WASHER 7/16	RONDELLE DE BLOCAGE 7/16	
24	14	506039	NYLON NUT M10 X 1.5	ECROU NYLON M10 X 1.5	
25	30	506037	NYLON NUT M16 X 2	ECROU NYLON M16 X 2	
26	22	506038	NYLON NUT M20 X 2.5	ECROU NYLON M20 X 2.5	
27	2	250338	OIL TANK	RÉSERVOIR D'HUILE	
28	30	506172	SOCKET HEAD CAP SCREW M16 X 2.00 X 180MM PTC 12	VIS À TÊTE CYL. M16 X 2.00 X 180MM PTC12	
29	8	322615	16MM SINGLE HOSE SUPPORT (0.625")	SUPPORT DE BOYAU SIMPLE 16MM (0.625")	
30	4	320009-3	PIPE CLAMP	SUPPORT BOYAU	
31	8	470051	DOUBLE HOSE HOLDER 21.3mm (0.84")	SUPPORT BOYAU DOUBLE 21.3mm (0.84")	
32	2	325383	GEARBOX T301B 1.35:1	BOITE ENGRENAGE T301B 1.35:1	
33	2	452619	TN81-6L TUBE NUT	TN81-6L ECROU DE SERRAGE	
34	2	452618	TN88-6LS SLEEVE FOR FLARELESS TUBE END	TN88-6LS BAGUE SANS EVASEMENT	
35	2	452617	TN94-06LNPT ELBOW 90-TUBE/MALE NPTF	TN94-06LNPT COUDE 90-TUBE/MALE NPTF	
36	2	250339	LUBRIFICATION HOSE (13' LONG)	BOYAU DE GRAISSAGE (13, LONG)	
38	2	090-TRA-068	FITTING SUPPORT	SUPPORT A RACCORD	
39	1	098-TRA-011	SHEAR BOLT SUPPORT	SUPPORT DE BOULONS DE CISAILLEMENT	
40	2	098-TRA-012	OIL TANK PANEL	PANNEAU POUR RÉSERVOIR D'HUILE	
41	2	095-CUV-AI	GEARBOX ADAPTER	ADAPTATEUR DE PLANETAIRE	
42	1	095-GRD-AC	TRANSMISSION GUARD	GARDE DE TRANSMISSION	
43	2	095-TRA-AH	HOSE RACK SUPPORT	SUPPORT A CRAMPE DE BOYAU	

12D - REAR TRANSMISSION (PTO) / TRANSMISSION ARRIÈRE (PTO) / 3002



12D - REAR TRANSMISSION (PTO) / TRANSMISSION ARRIÈRE (PTO) / 3002



ANDERSON

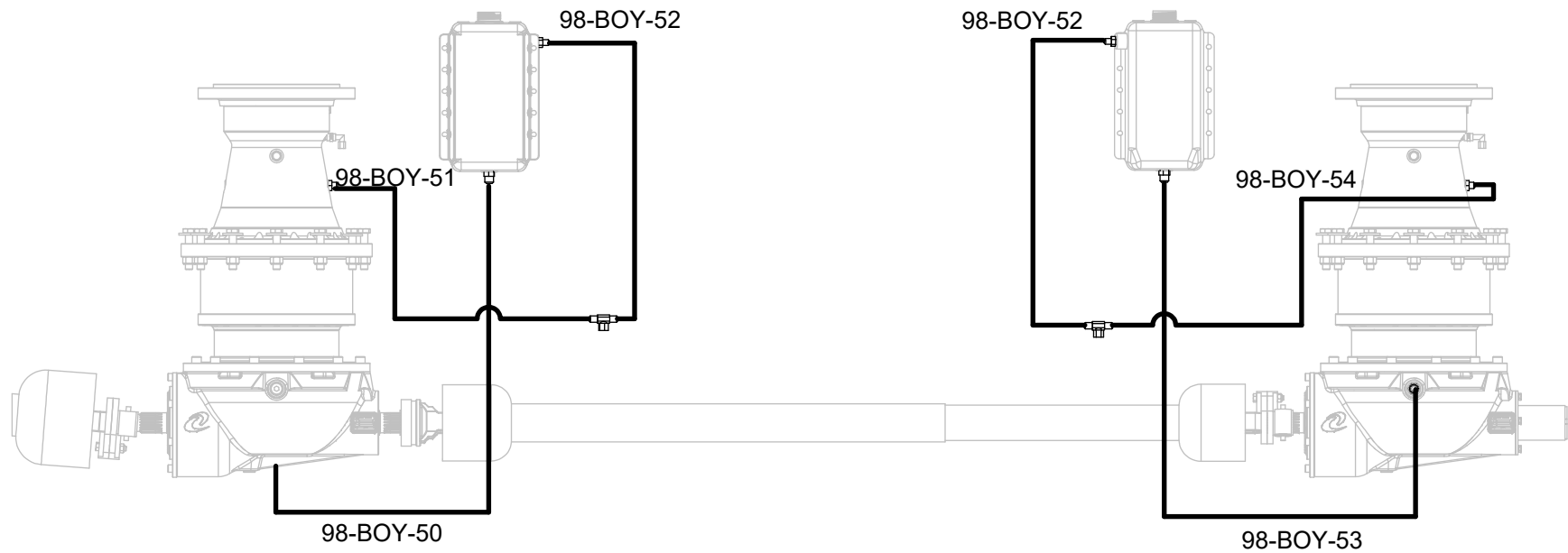
#325458 - PRIMARY PTO / PTO PRIMAIRE

ITEM	QT	PART/PIECE	ENGLISH DESCRIPTION	DESCRIPTION FRANCAISE	NOTE
2	1	325458	PTO W2500 SD25 KB61/20 1310 S4LGA S5	PTO W2500 SD25 KB61/20 1310 S4LGA S5	
2.1	1	327060	YOKE SC 1 3/4 Z20	MACHOIRE SC 1 3/4 Z20	
2.2	2	325323	CROSS	CROISILLON	
2.5	1	327063	YOKE SB 1 3/4 Z20	MACHOIRE SB 1 3/4 Z20	
2.6	1	327078	PTO GUARD T80-061P028428-280029	GARDE PTO T80-061P028428-280029	
2.9	1	500715	HEX. BOLT M12 X 1.75 X 65mm CL6.6	BOULON HEX. M12 X 1.75 X 65mm CL6.6	SHEAR BOLT / BOULON DE CISAILLEMENT
2.10	1	506040	NYLON NUT M12 X 1.75	ECROU NYLON M12 X 1.75	

#325394 - SECONDARY PTO / PTO SECONDAIRE

ITEM	QT	PART/PIECE	ENGLISH DESCRIPTION	DESCRIPTION FRANCAISE	NOTE
1	1	325394	PTO W2400 SD25 KB61-20 1310 S4LGA S5	PTO W2400 SD25 KB61-20 1310 S4LGA S5	
1.1	2	325322	CROSS	CROISILLON	
1.2	1	327062	YOKE SB 1 3/4 Z20	MACHOIRE SB 1 3/4 Z20	
1.3	1	327061	YOKE SC 1 3/4 Z20	MACHOIRE SC 1 3/4 Z20	
1.4	1	506088	HEX. BOLT M8 X 1.25 X 60mm CL8.8	BOULON HEX. M8 X 1.25 X 60mm CL8.8	SHEAR BOLT / BOULON DE CISAILLEMENT
1.6	1	327076	PTO GUARD T60-121P026555-260004	GARDE PTO T60-121P026555-260004	
1.10	1	506051	NYLON NUT M8 X 1.25	ECROU NYLON M8 X 1.25	

12E - TRANSMISSION DIAGRAM / DIAGRAMME DE TRANSMISSION



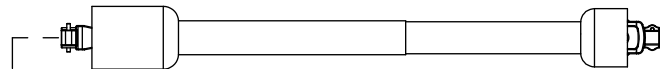


ANDERSON

13A - FRONT TRANSMISSION (1000RPM) / TRANSMISSION AVANT (1000 RPM) / WITH DIRECT DRIVE

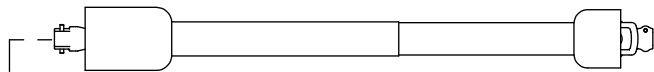


SEE PAGE 13H - PTO 325370
VOIR PAGE 13H - PTO 325370

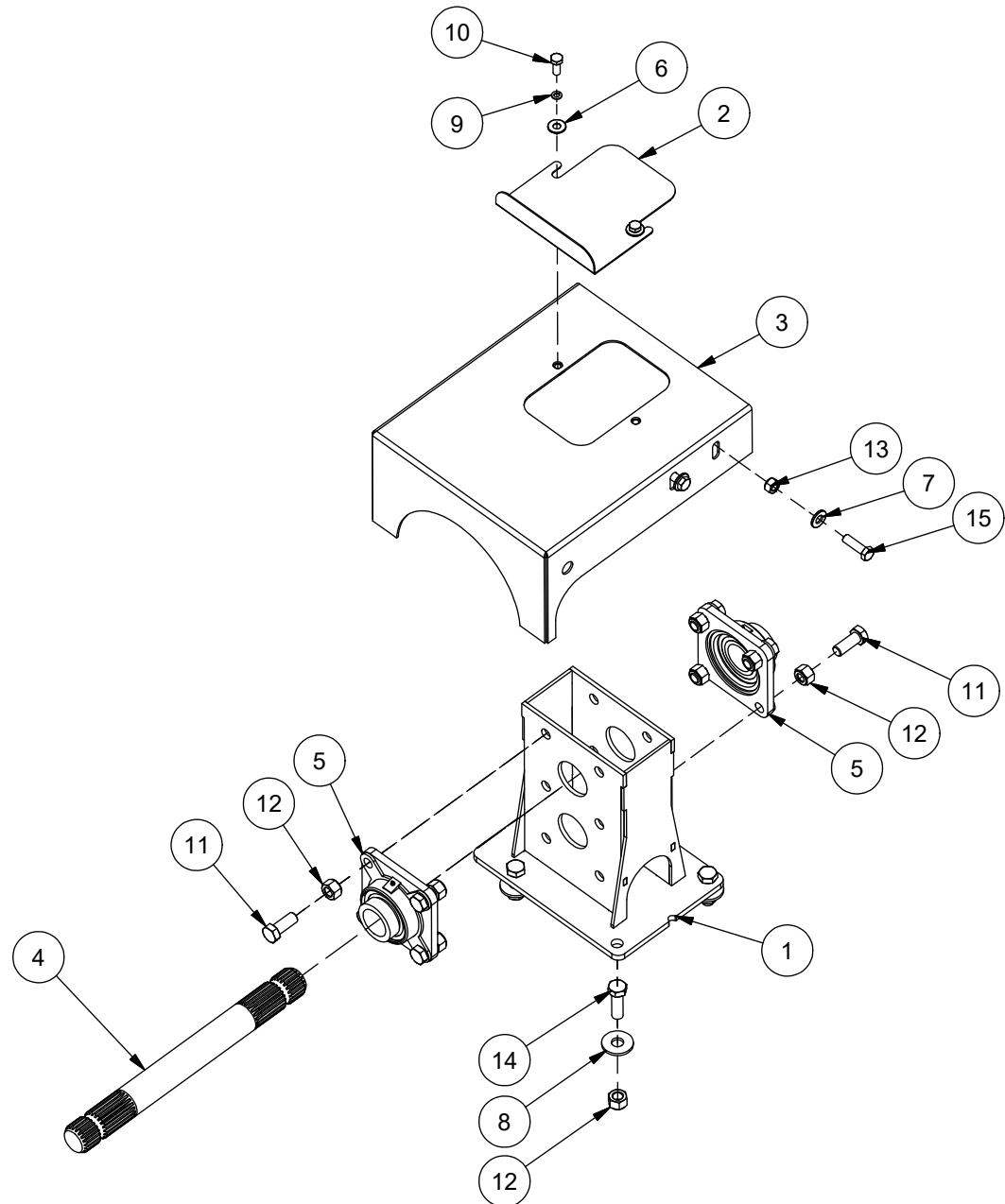


1 3/8 Z21 (1000RPM) SMALL

SEE PAGE 13I - PTO 325371
VOIR PAGE 13I - PTO 325371



1 3/4 Z20 (1000RPM) BIG



13A - FRONT TRANSMISSION (540RPM) / TRANSMISSION AVANT (540 RPM) / WITH DIRECT DRIVE



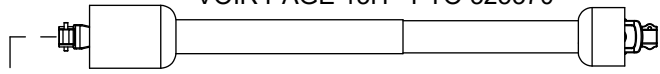
ITEM	QT	PART/PIECE	ENGLISH DESCRIPTION	DESCRIPTION FRANCAISE	NOTE
1	1	090-FRM-CW	DIRECT DRIVE FRAME	CHÂSSIS DE L'ENTRAÎNEMENT DIRECT	
2	1	090-GRD-219	LID	COUVERCLE	
3	1	090-GRD-BE	COVER PLATE	COUVERT	
4	1	250010	GROOVE SHAFT 20 - 10/24 - 30°	ARBRES À CANNELURES 20 - 10/24 - 30°	
5	2	303161	FLANGE MOUNTED BALL BEARING - SHAFT 1 3/4	ROULEMENT A PALIER - SHAFT 1 3/4	
6	2	502004	FLAT WASHER 3/8 Z	RONDELLE PLATE 3/8 Z	
7	4	502006	FLAT WASHER 1/2 Z-SAE	RONDELLE PLATE 1/2 Z-SAE	
8	4	502008	FLAT WASHER 5/8 Z	RONDELLE PLATE 5/8 Z	
9	2	502046	LOCK WASHER 5/16 Z	RONDELLE DE BLOCAGE 5/16 Z	
10	2	506009-1	HEX. BOLT M10 X 1.5 X 25mm CL8.8	BOULON HEX. M10 X 1.5 X 25mm CL8.8	
11	8	506012	HEX. BOLT M16 X 2 X 40mm CL8.8	BOULON HEX. M16 X 2 X 40mm CL8.8	
12	12	506037	NYLON NUT M16 X 2	ECROU NYLON M16 X 2	
13	2	506040	NYLON NUT M12 X 1.75	ECROU NYLON M12 X 1.75	
14	4	506076	HEX. BOLT M16 X 2 X 50mm CL8.8	BOULON HEX. M16 X 2 X 50mm CL8.8	
15	2	506129	HEX. BOLT M12 X 1.75 X 40mm CL8.8	BOULON HEX. M12 X 1.75 X 40mm CL8.8	

13B - FRONT TRANSMISSION (1000RPM) WITH 2 SPEED / TRANSMISSION AVANT (1000RPM) AVEC BI VITESSE



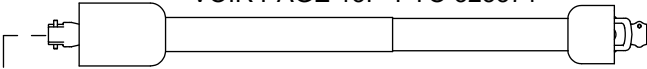
SEE PAGE 13H - PTO 325370
VOIR PAGE 13H - PTO 325370

#404291-1

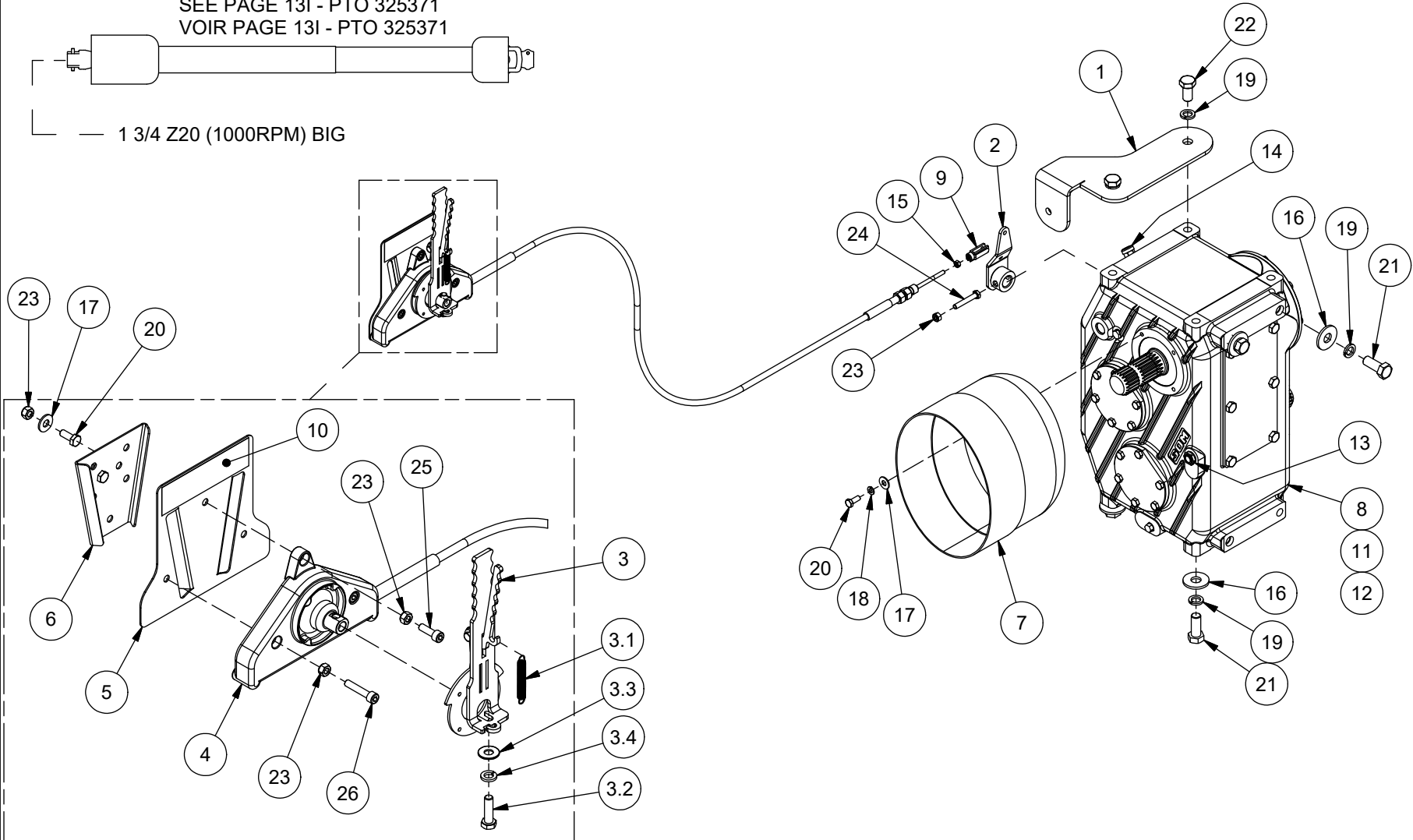


— 1 3/8 Z21 (1000RPM) SMALL

SEE PAGE 13I - PTO 325371
VOIR PAGE 13I - PTO 325371



— 1 3/4 Z20 (1000RPM) BIG



13B - FRONT TRANSMISSION (1000RPM) WITH 2 SPEED / TRANSMISSION AVANT (1000RPM) AVEC BI VITESSE

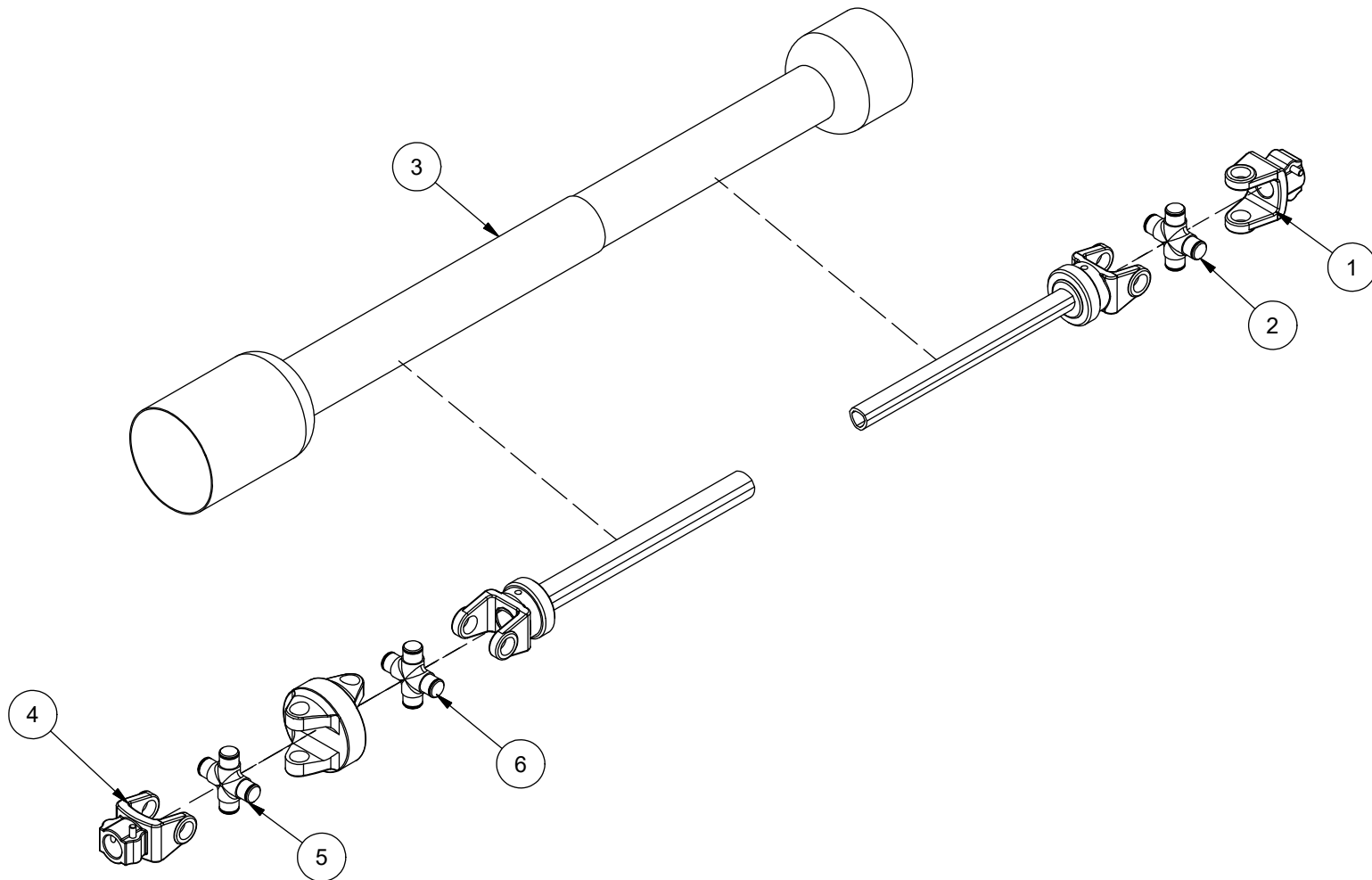


ITEM	QT	PART/PIECE	ENGLISH DESCRIPTION	DESCRIPTION FRANCAISE	NOTE
1	1	090-FRM-345	GUIDE	GUIDE	
2	1	090-FRM-BI	TRANSMISSION HANDLE	POIGNÉE DE TRANSMISSION	
3	1	090-TRA-BN	HANDLE	POIGNÉE	
3.1	1	304083	SPRING	RESSORT	
3.3	1	502004	FLAT WASHER 3/8 Z	RONDELLE PLATE 3/8 Z	
3.4	1	502047	LOCK WASHER 7/16	RONDELLE DE BLOCAGE 7/16	
3.2	1	506009-3	HEX. BOLT M10 X 1.5 X 35mm CL8.8	BOULON HEX. M10 X 1.5 X 35mm CL8.8	
4	1	250032	CAB.TELEF.3.5M+POIGN.RENF	CAB.TELEF.3.5M+POIGN.RENF	
5	1	250061	HANDLE SUPPORT	SUPPORT DE POIGNÉE	
6	2	250062	HANDLE SUPPORT	SUPPORT DE POIGNÉE	
7	1	325088	PROTECTION CONE	CÔNE DE PROTECTION PTO	
8	1	325275	GEARBOX C3A-R 1:1,1,5:1 ESHIFT	BOITE ENGRENAGE C3A-R 1:1,1,5:1 ESHIFT	
9	1	325309	CLEVIS ROD END M6-1.0 X 36mm	EMBOUT EN "U" (CLEVIS) M6 x 36MM	
10	1	404291-1	DECALQUE SELECT, VITESSE BOITIER INV	DECALQUE SELECT, VITESSE BOITIER INV	
11	1	404500	CASTROL OIL ISO 220 SYNTHETIC	HUILE CASTROL ISO 220 SYNTHÉTIQUE	SEE OWNER MANUEL FOR QUANTITY / VOIR MANUEL OPÉRATEUR POUR QUANTITÉ
12	0	467775	SEAL KIT C3A-R	JEU DE JOINT C3A-R	
13	0	470070	LEVEL PLUG	BOUCHON DE NIVEAU	
14	0	471010	BREATHER	RENIFLARD	
15	1	501116	HEX NUT M6 X 1 CL8 Z	ÉCROU HEX M6 X 1 CL8 Z	
16	6	502008	FLAT WASHER 5/8 Z	RONDELLE PLATE 5/8 Z	
17	8	502014	FLAT WASHER 5/16 Z	RONDELLE PLATE 5/16 Z	
18	4	502046	LOCK WASHER 5/16 Z	RONDELLE DE BLOCAGE 5/16 Z	
19	8	502049	LOCK WASHER 5/8	RONDELLE DE BLOCAGE 5/8	
20	8	506000	HEX. BOLT M8 X 1.25 X 20mm CL8.8	BOULON HEX. M8 X 1.25 X 20mm CL8.8	
21	6	506012	HEX. BOLT M16 X 2 X 40mm CL8.8	BOULON HEX. M16 X 2 X 40mm CL8.8	
22	2	506012-1	HBZ M16 - 2.00 X 30MM CL 8.8	HBZ M16 - 2.00 X 30MM CL 8.8	
23	8	506051	NYLON NUT M8 X 1.25	ECROU NYLON M8 X 1.25	
24	1	506087	HEX. BOLT M8 X 1.25 X 50mm CL8.8	BOULON HEX. M8 X 1.25 X 50mm CL8.8	
25	1	506140	SOCKET HEAD CAP SCREW M8-1.25 X 25MMCL8.8	VIS A TETE CYL. M8-1.25 X 25MMCL8.8	
26	2	506147	HEX SOCKET HEAD CAP SCREW M8 X 1.25 X 15 CL12.9	VIS TETE CYLINDRIQUE M8 X 1.25 X 15 CL12.9	

13H - 325370- PTO TRACTOR 1 3/8 Z21 / PTO TRACTEUR 1 3/8 Z21



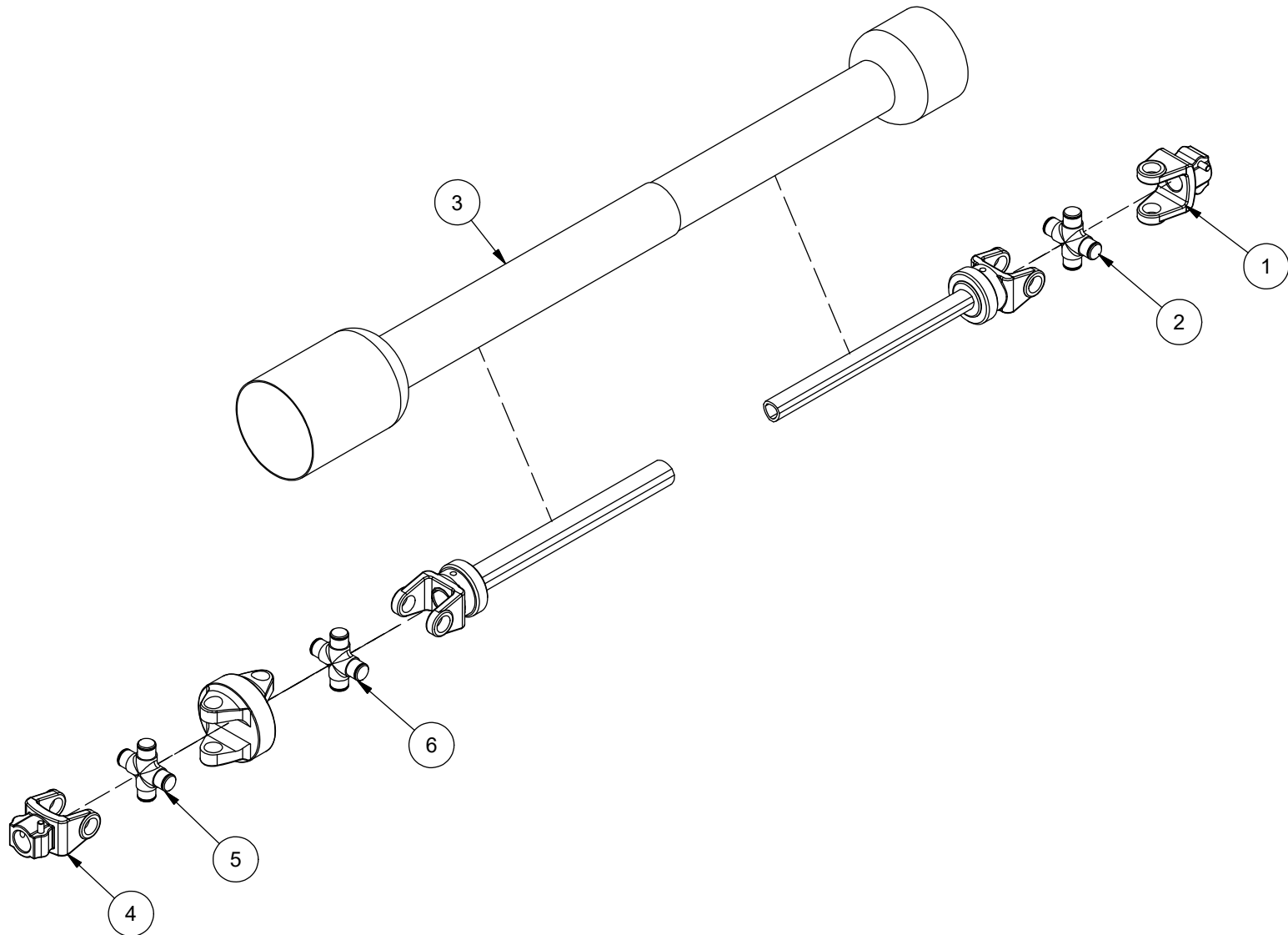
ITEM	QT	PART/PIECE	ENGLISH DESCRIPTION	DESCRIPTION FRANCAISE	NOTE
1	1	327067	YOKE SC 1 3/4 Z20	MACHOIRE SC 1 3/4 Z20	
2	1	327066	CROSS	CROISILLON	
3	1	325279	PTO GUARD VP9-101P229021-229074	GARDE PTO VP9-101P229021-229074	
4	1	327068	YOKE SC 1 3/8 Z6	MACHOIRE SC 1 3/8 Z6	
5	1	327074	CROSS	CROISILLON	
6	1	327075	CROSS	CROISILLON	



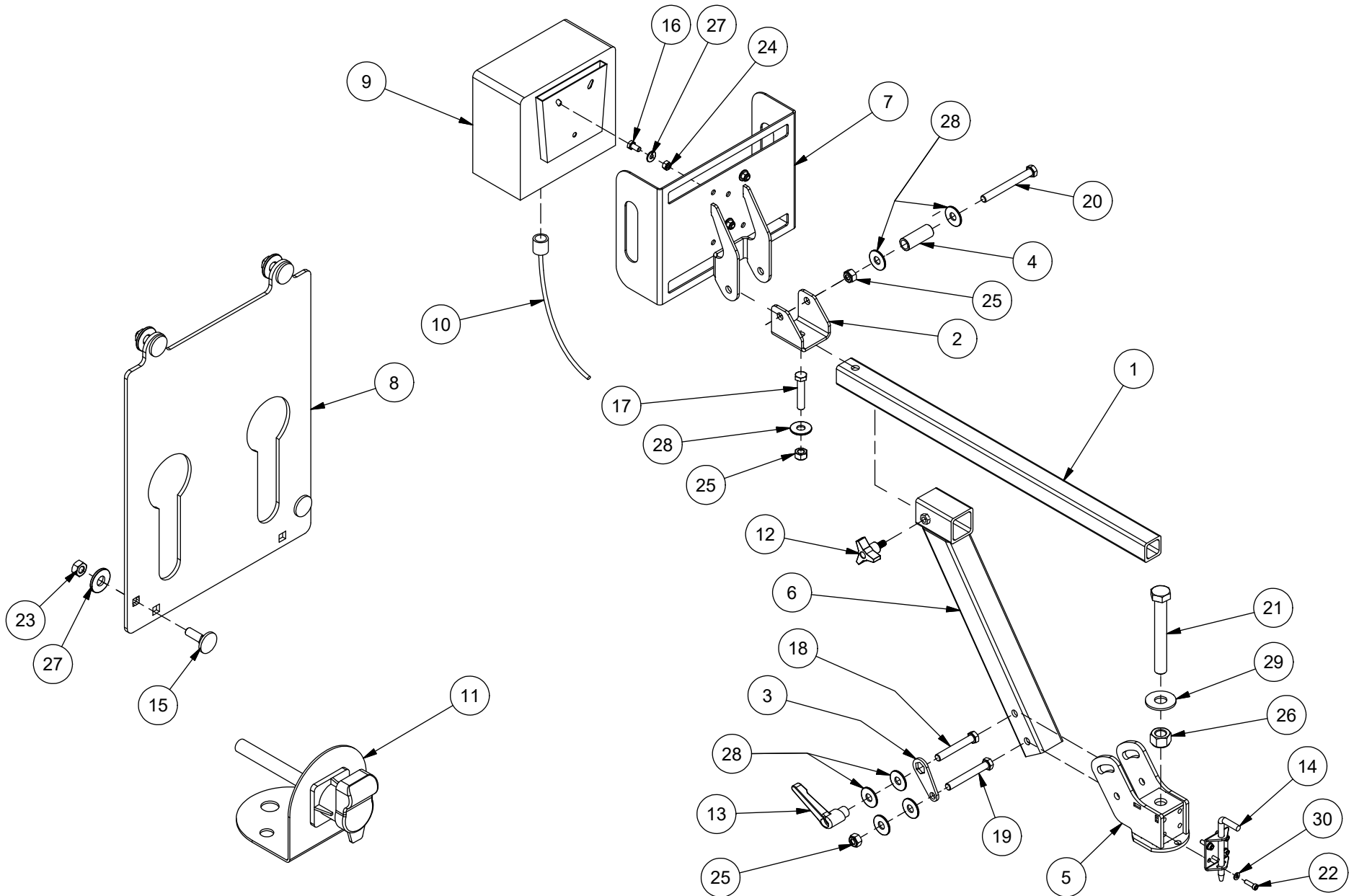
13H - 325371- PTO TRACTOR 1 3/4 Z20 / PTO TRACTEUR 1 3/4 Z20



ITEM	QT	PART/PIECE	ENGLISH DESCRIPTION	DESCRIPTION FRANCAISE		NOTE
1	1	327067	YOKE SC 1 3/4 Z20	MACHOIRE SC 1 3/4 Z20	141.229.074.1	
2	1	327066	CROSS	CROISILLON	180.219.020	
3	1	325279	PTO GUARD VP9-101P229021-229074	GARDE PTO VP9-101P229021-229074	142.991.025	
4	1	327068	YOKE SC 1 3/8 Z6	MACHOIRE SC 1 3/8 Z6	141.229.021.1	
5	1	327074	CROSS	CROISILLON	180.219.034	
6	1	327075	CROSS	CROISILLON	180.219.035	



14A - SCALE CONTROL DG500 / CONTROLE DE PESÉ DG500



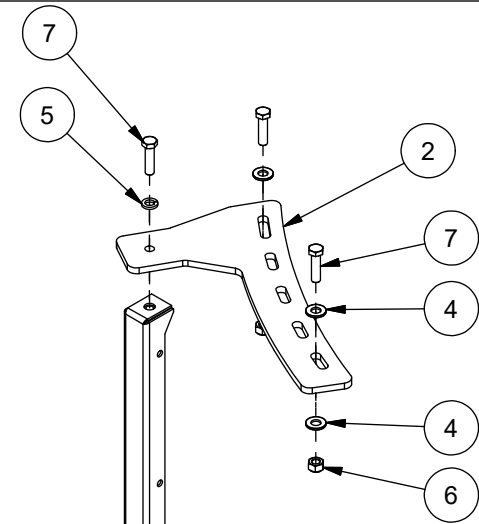
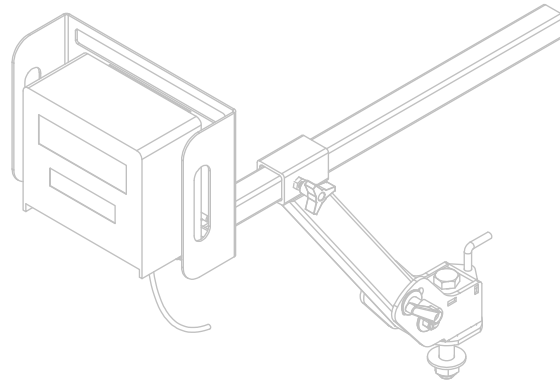
14A - SCALE CONTROL DG500 / CONTROLE DE PESÉ DG500



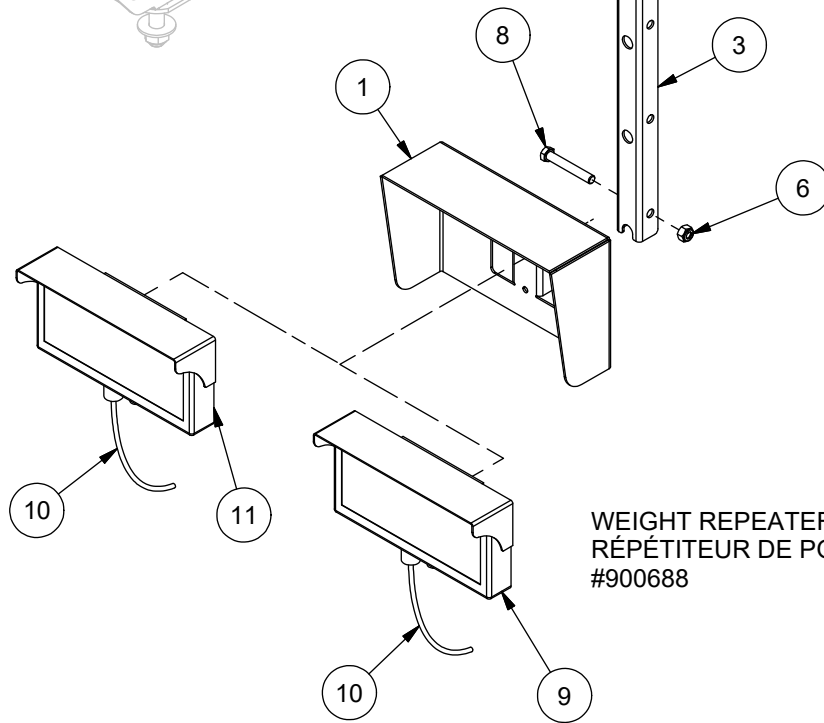
ITEM	QT	PART/PIECE	ENGLISH DESCRIPTION	DESCRIPTION FRANCAISE	NOTE
1	1	090-FRM-059	ADJUSTMENT TUBE	TUBE D'AJUSTEMENT	
2	1	090-FRM-060	COMPUTER SWIVEL SUPPORT	PIVOT SUPPORT ORDINATEUR	
3	1	090-FRM-357	COMPUTER LOCK BRACKET	BARRURE SUPPORT ORDINATEUR	
4	1	090-FRM-358	SPACER	ESPACEUR	
5	1	090-FRM-AH	SWIVEL BASE	BASE PIVOTANTE	
6	1	090-FRM-AI	EXTENSION ARM	BRAS D'EXTENSION	
7	1	090-FRM-AJ	CASE	BOITIER	
8	1	090-HYD-003	HOSE GUIDING PLATE	PLAQUE DE GUIDAGE POUR BOYAU	
9	1	239160	WEIGHT CONTROL DG500	CONTROLE PESEE DG500	
10	1	900704	POWER CABLE 10M 3 PIN COBO PLUG	CABLE D'ALIMENTATION 10M 3 PIN COBO	
11	1	240142	POWER SUPPLY 25 amp	PRISE DE COURANT 25 amp	
12	1	325133	KNOB WITH THREADED STUD	POIGNÉE AVEC TIGE FILETÉ	
13	1	325267	SECURITY AJUSTABLE KNOB - M12	POIGNÉ RÉGLABLE DE SÉCURITÉ- M12	
14	1	304082	SPRING LATCH BOLT	VERROU A RESSORT 3/8	
15	4	500706	CBZ M6 X 1.0 X 20 CL8.8	CBZ M6 X 1.0 X 20 CL8.8	
16	3	506004-1	HEX. BOLT M8 X 1.25 X 16mm CL8.8	BOULON HEX. M8 X 1.25 X 16mm CL8.8	
17	1	507136	HEX. BOLT M12 X 1.75 X 60mm CL8.8	BOULON HEX. M12 X 1.75 X 60mm CL8.8	
18	1	506121	HEX. BOLT M12 X 1.75 X 80mm CL8.8	BOULON HEX. M12 X 1.75 X 80mm CL8.8	
19	1	506073	HEX. BOLT M12 X 1.75 X 90mm CL8.8	BOULON HEX. M12 X 1.75 X 90mm CL8.8	
20	1	506146	HEX. BOLT M12 X 1.75 X 110mm CL8.8	BOULON HEX. M12 X 1.75 X 110mm CL8.8	
21	1	506107	HEX BOLT M20 X 2,5 - 150 CL8.8 Z	BOULON HEX M20 X 2,5 - 150 CL8.8 Z	
22	4	506110	HEX SOCKET HEAD CAP SCREW M6 X 1.00 X 20 MM	VIS HEX CREUX TÊTE CYLINDRIQUE M6 X 1.00 X 20 MM	
23	4	506050	HEX NUT M6 X 1	ECROU NYLON M6 X 1	
24	3	506051	NYLON NUT M8 X 1.25	ECROU NYLON M8 X 1.25	
25	3	506040	NYLON NUT M12 X 1.75	ECROU NYLON M12 X 1.75	
26	1	506038	NYLON NUT M20 X 2.5	ECROU NYLON M20 X 2.5	
27	7	502002	FLAT WASHER 1/4 Z	RONDELLE PLATE 1/4 Z	
28	7	502006-1	FLAT WASHER 1/2 Z	RONDELLE PLATE 1/2 Z	
29	2	502009	FLAT WASHER 3/4 Z	RONDELLE PLATE 3/4 Z	
30	4	502064	LOCK WASHER 1/4	RONDELLE DE BLOCAGE 1/4	

14B - SCALE OPTION / OPTION DE PESÉ

Bluetooth modem Dina Tel 3
#415173



EXTRA DISPLAY KIT
#900656



WEIGHT REPEATER /
RÉPÉTITEUR DE POIDS
#900688

14B - SCALE OPTION / OPTION DE PESÉ

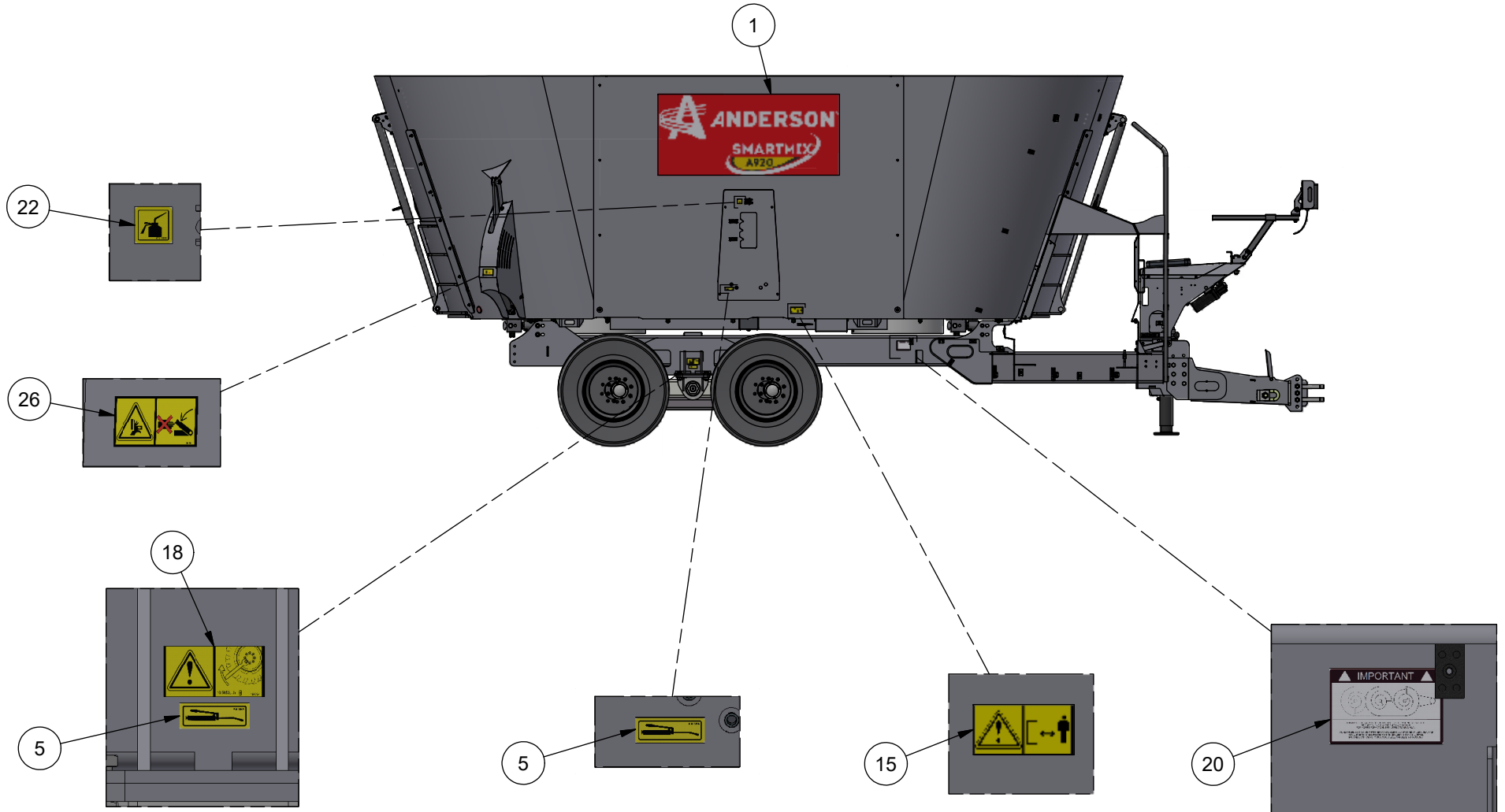


WEIGHT REPEATER / RÉPÉTITEUR DE POIDS					
ITEM	QT	PART/PIECE	ENGLISH DESCRIPTION	DESCRIPTION FRANCAISE	NOTE
1	1	090-FRM-363	CASE	BOÎTIER	
2	1	090-FRM-364	SUPPORT PLATE	PLAQUE DE SUPPORT	
3	1	090-FRM-BN	WEIGHT REPEATER ARM	BRAS DU RÉPÉTITEUR DE POIDS	
4	4	502006	FLAT WASHER 1/2 Z-SAE	RONDELLE PLATE 1/2 Z-SAE	
5	1	502048	LOCK WASHER 1/2	RONDELLE DE BLOCAGE 1/2	
6	3	506040	NYLON NUT M12 X 1.75	ECROU NYLON M12 X 1.75	
7	3	506102	HEX. BOLT M12 X 1.75 X 45mm CL8.8	BOULON HEX. M12 X 1.75 X 45mm CL8.8	
8	1	506121	HEX. BOLT M12 X 1.75 X 80mm CL8.8	BOULON HEX. M12 X 1.75 X 80mm CL8.8	
9	1	900688	WEIGHT REPEATER	REPETITEUR DE POIDS	
10	1	900689	WEIGHT REPEATER POWER CABLE	CABLE D'ALIMENTATION REPETITEUR DE POIDS	

EXTRA DISPLAY KIT					
ITEM	QT	PART/PIECE	ENGLISH DESCRIPTION	DESCRIPTION FRANCAISE	NOTE
1	1	090-FRM-363	CASE	BOÎTIER	
2	1	090-FRM-364	SUPPORT PLATE	PLAQUE DE SUPPORT	
3	1	090-FRM-BN	WEIGHT REPEATER ARM	BRAS DU RÉPÉTITEUR DE POIDS	
4	4	502006	FLAT WASHER 1/2 Z-SAE	RONDELLE PLATE 1/2 Z-SAE	
5	1	502048	LOCK WASHER 1/2	RONDELLE DE BLOCAGE 1/2	
6	3	506040	NYLON NUT M12 X 1.75	ECROU NYLON M12 X 1.75	
7	3	506102	HEX. BOLT M12 X 1.75 X 45mm CL8.8	BOULON HEX. M12 X 1.75 X 45mm CL8.8	
8	1	506121	HEX. BOLT M12 X 1.75 X 80mm CL8.8	BOULON HEX. M12 X 1.75 X 80mm CL8.8	
10	1	900689	WEIGHT REPEATER POWER CABLE	CABLE D'ALIMENTATION REPETITEUR DE POIDS	
11	1	900656	EXTRA DISPLAY	ÉCRAN EXTRA	

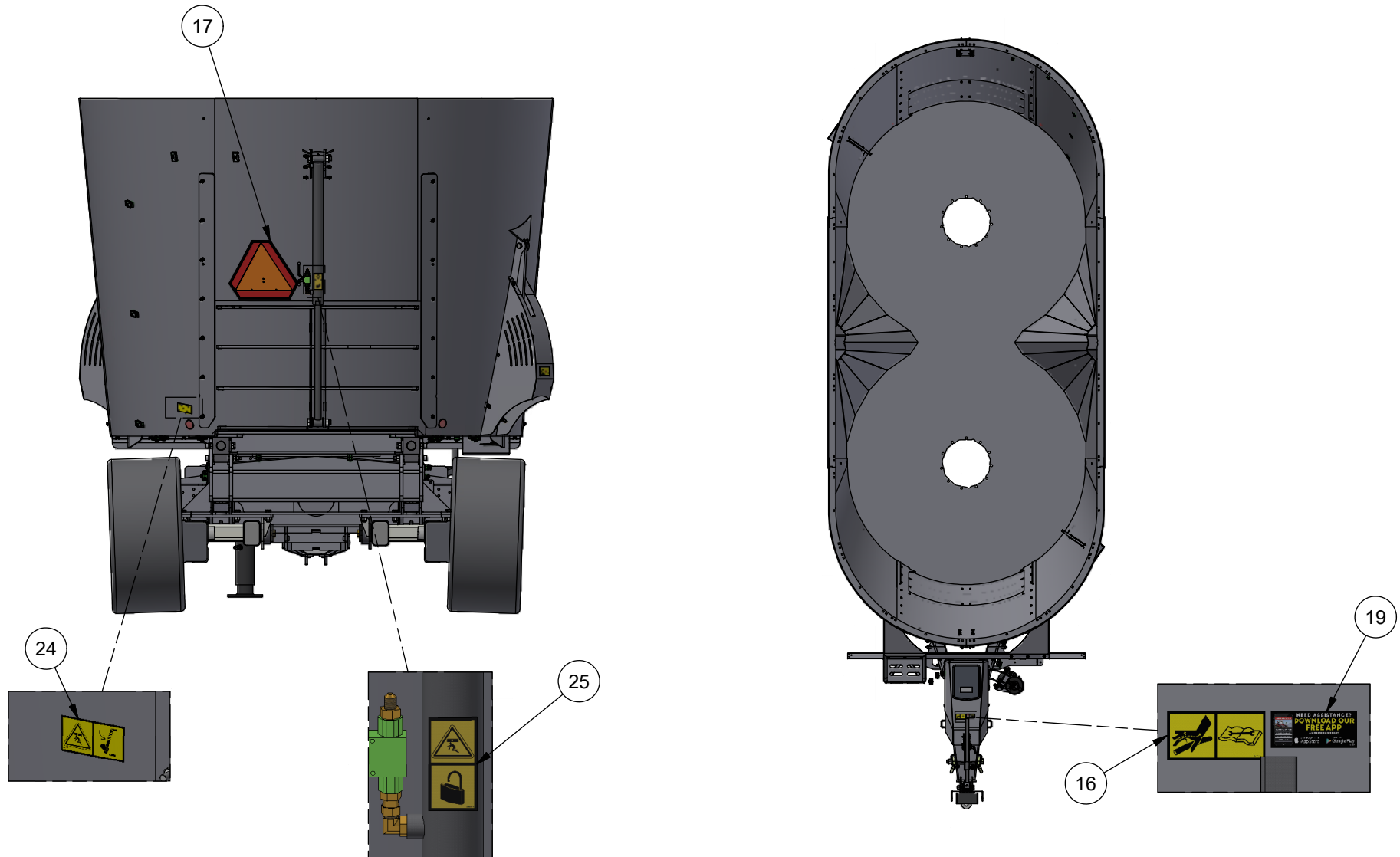
15A - STICKER LOCATION / EMPLACEMENT DES DÉCALQUES

ITEM	QT	PART/PIECE	ENGLISH DESCRIPTION	DESCRIPTION FRANCAISE	NOTE
1	2	404308	DECALQUE SMARTMIX A920	DECALQUE SMARTMIX A920	
5	6	404002	LUBRICATION STICKER	DECALQUE GRAISSAGE	
15	2	404300	STICKER KEEP YOUR DISTANCE	DECALQUE GARDER DISTANCE	
18	2	404042-1	CHECK THE WHEEL NUTS STICKER	DECALQUE VERIF, ECROUS DE ROUE	
20	1	404292	STICKER TIMMING SCREW MIXER	DECALQUE SYNCHO, VIS MELANGEUR	
22	2	404040	OIL CHANGE STICKER	DECALQUE CHANGEMENT D'HUILE	
26	2	404164	CAUTION RISK OF CRUSHING STICKER	DECALQUE ATTENTION RISQUE ECRASEMENT	



15B - STICKER LOCATION / EMPLACEMENT DES DÉCALQUES

ITEM	QT	PART/PIECE	ENGLISH DESCRIPTION	DESCRIPTION FRANCAISE	NOTE
16	1	404170	REFERENCE TO MANUAL STICKER	DECALQUE REF MANUEL	
17	1	407070	STICKER TRIANGLE	DECALQUE TRIANGLE	
19	1	404370	STICKER ANDERSON APP	DÉCALQUE APPLICATION ANDERSON	
24	1	404163	BE CAREFUL PUT SAFETY KICKSTAND STICKER	DECALQUE ATTENTION METTRE BEQUILLE	
25	1	404351	STICKER LOCK CRUSHING	DECALQUE BARRURE ECRASEMENT	

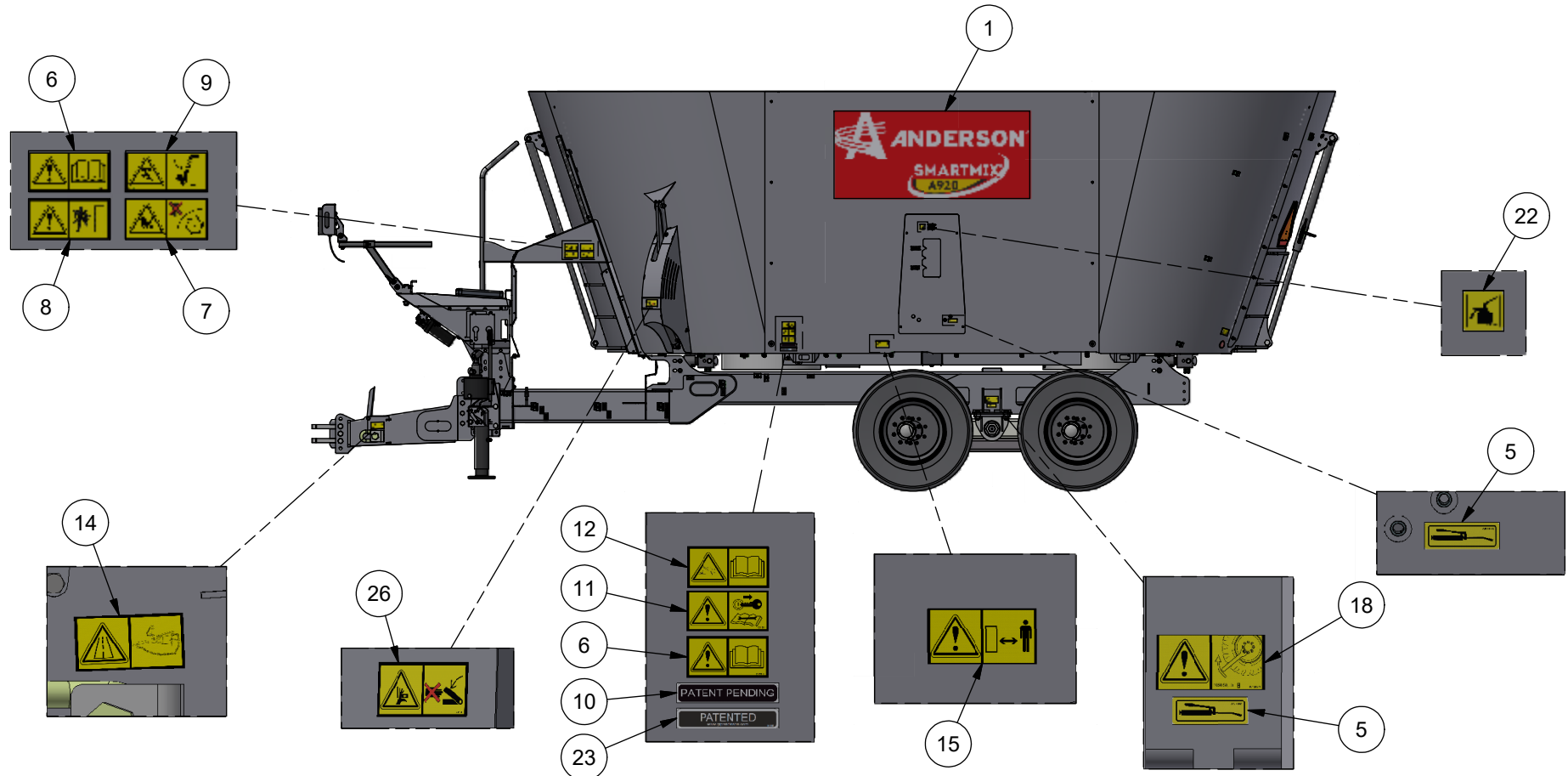


15C - STICKER LOCATION / EMPLACEMENT DES DÉCALQUES



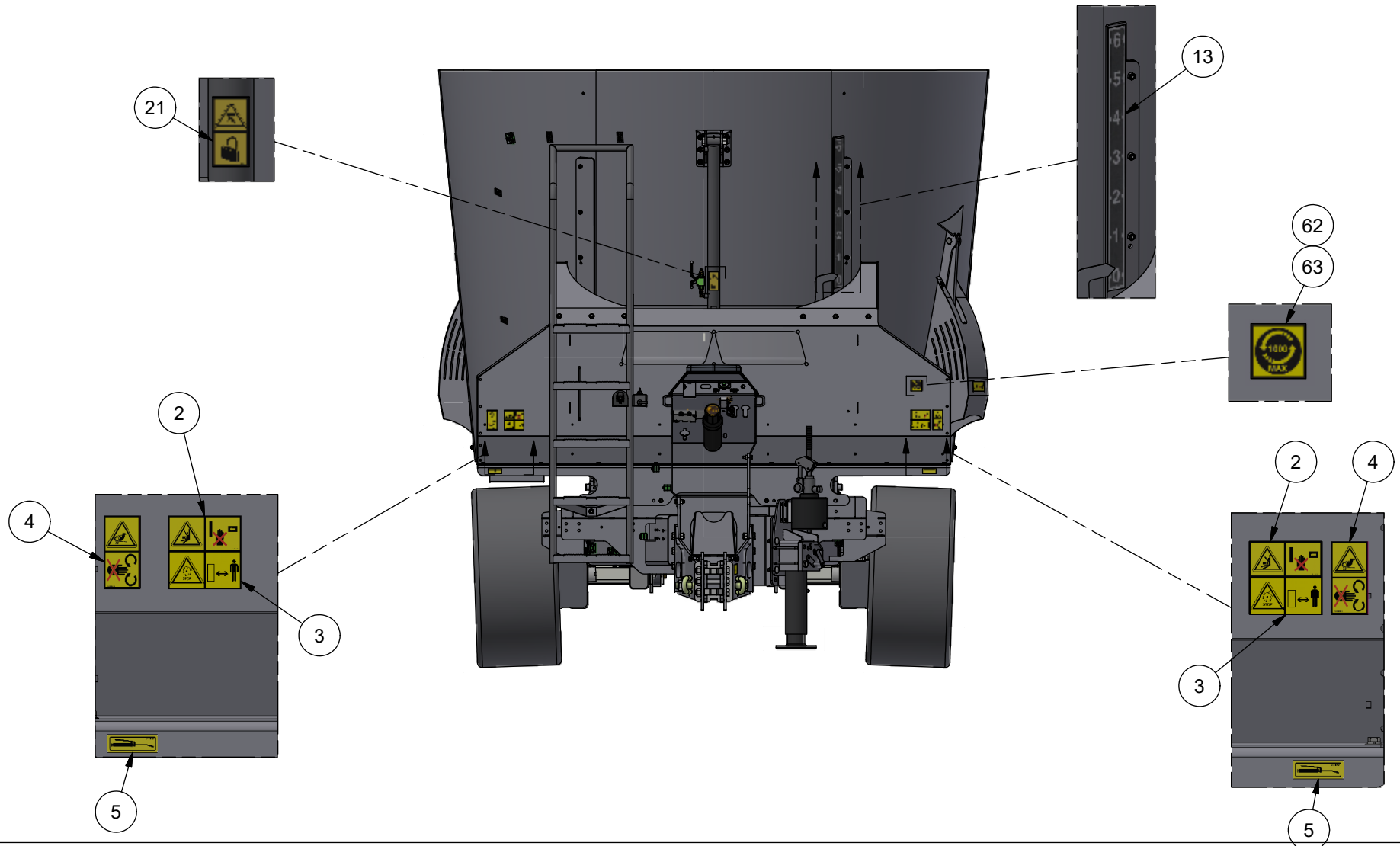
ANDERSON

ITEM	QT	PART/PIECE	ENGLISH DESCRIPTION	DESCRIPTION FRANCAISE	NOTE
1	2	404308	DECALQUE SMARTMIX A920	DECALQUE SMARTMIX A920	
5	6	404002	LUBRICATION STICKER	DECALQUE GRAISSAGE	
6	2	404057-1	READ THE MANUAL STICKER	DECALQUE LIRE MANUEL	
7	1	404296	STICKER DO NOT APPROACH HANDS	DECALQUE NE PAS APPROCHER MAINS	
8	1	404299	STICKER DO NOT ENTER EQUIPMENT	DECALQUE NE PAS ENTRER DANS EQUIPEMENT	
9	1	404163	BE CAREFUL PUT SAFETY KICKSTAND STICKER	DECALQUE ATTENTION METTRE BEQUILLE	
10	1	404293	STICKER PATENT PENDING	DECALQUE BREVET EN INSTANCE	
11	1	404158-1	STICKER STOP ENGINE FOR MAINTENANCE	DECALQUE ARRET MOTEUR ENTRETIEN	
12	1	404297	CAUTION WELDING STICKER	DECALQUE ATTENTION SOUDURE	
14	1	404058-1	STICKER SECURITY CHAIN	DECALQUE CHAINE DE RETENUE	
15	2	404300	STICKER KEEP YOUR DISTANCE	DECALQUE GARDER DISTANCE	
18	2	404042-1	CHECK THE WHEEL NUTS STICKER	DECALQUE VERIF. ECROUS DE ROUE	
22	2	404040	OIL CHANGE STICKER	DECALQUE CHANGEMENT D'HUILE	
23	1	404395	STICKER PATENTED	DECALQUE BREVETÉ	
26	2	404164	CAUTION RISK OF CRUSHING STICKER	DECALQUE ATTENTION RISQUE ECRASEMENT	

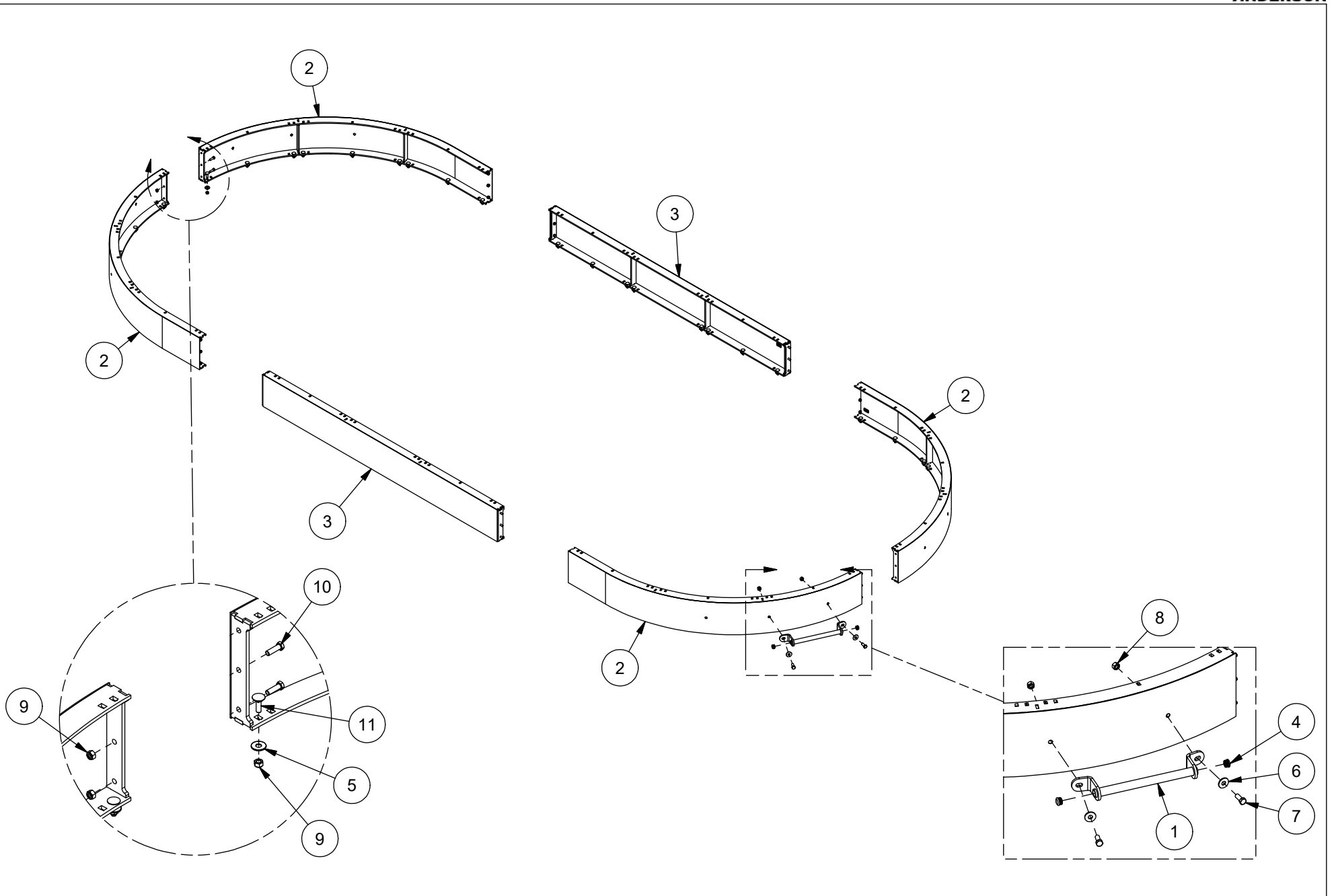


15D - STICKER LOCATION / EMBLACEMENT DES DÉCALQUES

ITEM	QT	PART/PIECE	ENGLISH DESCRIPTION	DESCRIPTION FRANCAISE	NOTE
2	2	404169	STICKER WARNING PUSHER	DECALQUE DANGER POUSSOIR	
3	2	404298	STICKER ROTATION COMPONENTS	DECALQUE ELEMENTS EN ROTATION	
4	2	404051-1	CHAIN ENTRAINMENT	DECALQUE ENTRAINEMENT DE CHAINE	
5	6	404002	LUBRICATION STICKER	DECALQUE GRAISSAGE	
13	1	404289	DOOR OPENING MIXER	DECALQUE OUVERTURE TRAPPE MELANGEUR	
21	1	404351	STICKER LOCK CRUSHING	DECALQUE BARRURE ECRASEMENT	
63	1	404278	1000 RPM MAX STICKER	DECALQUE 1000 RPM MAX	



16 - CAPACITY EXTENSION 6" 12" 18" / REHAUSSE 6" 12" 18"



16 - CAPACITY EXTENSION 6" 12" 18" / REHAUSSE 6" 12" 18"



CAPACITY EXTENSION 6PO / REHAUSSE 6PO

ITEM	QT	PART/PIECE	ENGLISH DESCRIPTION	DESCRIPTION FRANCAISE	NOTE
1	1	090-REH-BR	EXTENSION HANDLE	POIGNÉE DE REHAUSSE	
2	4	098-REH-AF	QUARTER SECTION EXTENSION 6"	QUART DE SECTION REHAUSSE 6"	
3	2	098-REH-AG	STRAIGHT SECTION EXTENSION 6"	SECTION DROITE REHAUSSE 6"	
4	2	481013	CAPUCHON	PLASTIC PLUG	
5	52	502006-1	FLAT WASHER 1/2 Z	RONDELLE PLATE 1/2 Z	
6	2	502008	FLAT WASHER 5/8 Z	RONDELLE PLATE 5/8 Z	
7	2	506012	HEX. BOLT M16 X 2 X 40mm CL8.8	BOULON HEX. M16 X 2 X 40mm CL8.8	
8	2	506037	NYLON NUT M16 X 2	ECROU NYLON M16 X 2	
9	70	506040	NYLON NUT M12 X 1.75	ECROU NYLON M12 X 1.75	
10	18	506129	HEX. BOLT M12 X 1.75 X 40mm CL8.8	BOULON HEX. M12 X 1.75 X 40mm CL8.8	
11	52	507135	CARRIAGE BOLT M12 X 1.75 X 40 CL8.8	BOULON CAROSSERIE M12 X 1.75 X 40 CL8.8	

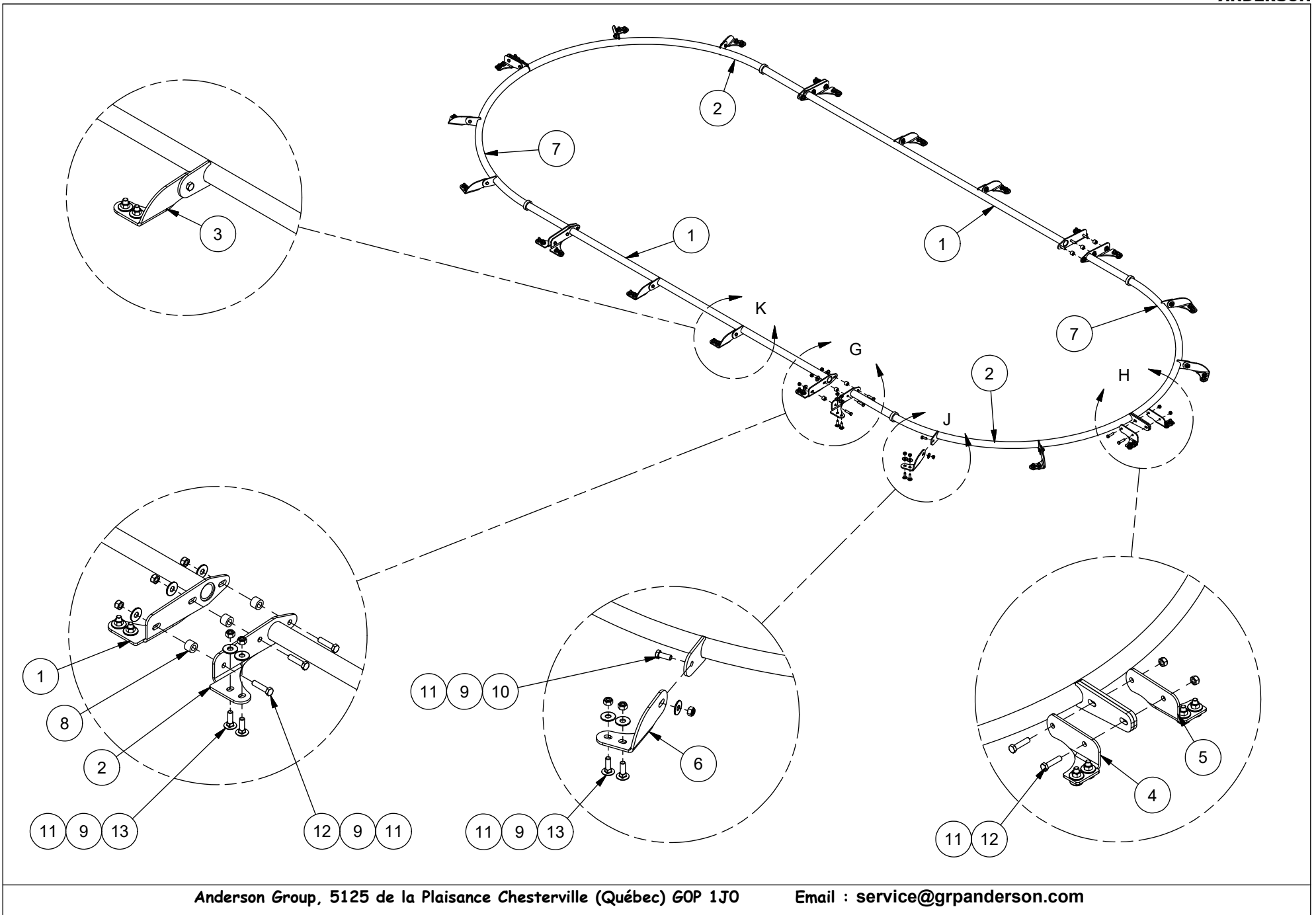
CAPACITY EXTENSION 12PO / REHAUSSE 12PO

ITEM	QT	PART/PIECE	ENGLISH DESCRIPTION	DESCRIPTION FRANCAISE	NOTE
1	1	090-REH-BR	EXTENSION HANDLE	POIGNÉE DE REHAUSSE	
2	4	098-REH-AI	QUARTER SECTION EXTENSION 12"	QUART DE SECTION REHAUSSE 12"	
3	2	098-REH-AJ	STRAIGHT SECTION EXTENSION 12"	SECTION DROITE REHAUSSE 12"	
4	2	481013	CAPUCHON	PLASTIC PLUG	
5	52	502006-1	FLAT WASHER 1/2 Z	RONDELLE PLATE 1/2 Z	
6	2	502008	FLAT WASHER 5/8 Z	RONDELLE PLATE 5/8 Z	
7	2	506012	HEX. BOLT M16 X 2 X 40mm CL8.8	BOULON HEX. M16 X 2 X 40mm CL8.8	
8	2	506037	NYLON NUT M16 X 2	ECROU NYLON M16 X 2	
9	64	506040	NYLON NUT M12 X 1.75	ECROU NYLON M12 X 1.75	
10	12	506129	HEX. BOLT M12 X 1.75 X 40mm CL8.8	BOULON HEX. M12 X 1.75 X 40mm CL8.8	
11	52	507135	CARRIAGE BOLT M12 X 1.75 X 40 CL8.8	BOULON CAROSSERIE M12 X 1.75 X 40 CL8.8	

CAPACITY EXTENSION 18PO / REHAUSSE 18PO

ITEM	QT	PART/PIECE	ENGLISH DESCRIPTION	DESCRIPTION FRANCAISE	NOTE
1	1	090-REH-BR	EXTENSION HANDLE	POIGNÉE DE REHAUSSE	
2	4	098-REH-AL	QUARTER SECTION EXTENSION 18"	QUART DE SECTION REHAUSSE 18"	
3	2	098-REH-AM	STRAIGHT SECTION EXTENSION 6"	SECTION DROITE REHAUSSE 6"	
4	2	481013	CAPUCHON	PLASTIC PLUG	
5	52	502006-1	FLAT WASHER 1/2 Z	RONDELLE PLATE 1/2 Z	
6	2	502008	FLAT WASHER 5/8 Z	RONDELLE PLATE 5/8 Z	
7	2	506012	HEX. BOLT M16 X 2 X 40mm CL8.8	BOULON HEX. M16 X 2 X 40mm CL8.8	
8	2	506037	NYLON NUT M16 X 2	ECROU NYLON M16 X 2	
9	76	506040	NYLON NUT M12 X 1.75	ECROU NYLON M12 X 1.75	
10	24	506129	HEX. BOLT M12 X 1.75 X 40mm CL8.8	BOULON HEX. M12 X 1.75 X 40mm CL8.8	
11	52	507135	CARRIAGE BOLT M12 X 1.75 X 40 CL8.8	BOULON CAROSSERIE M12 X 1.75 X 40 CL8.8	

17 - HAY RETENTION RING / ANNEAU ANTI-DÉBORDEMENT



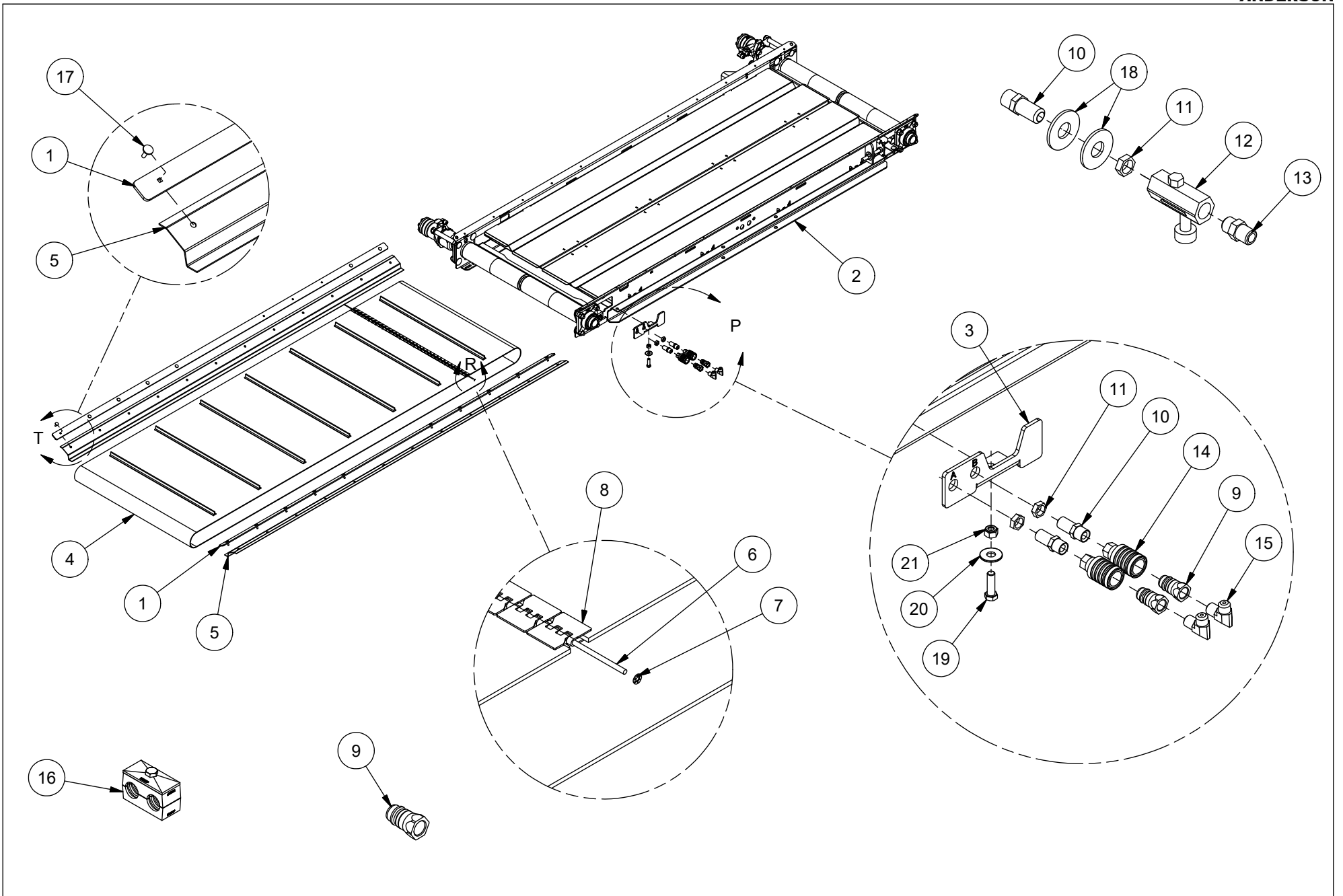
17 - HAY RETENTION RING / ANNEAU ANTI-DÉBORDEMENT



ANDERSON

ITEM	QT	PART/PIECE	ENGLISH DESCRIPTION	DESCRIPTION FRANCAISE	NOTE
1	2	098-REH-AD	MIDDLE SECTION	SECTION DU CENTRE	
2	2	098-REH-AC	LEFT END SECTION	SECTION DU BOUT GAUCHE	
3	4	091-REH-073	MOUNTING PLATE	PLAQUE DE FIXATION	
4	2	093-REH-043	MOUNTING PLATE	PLAQUE DE FIXATION	
5	2	093-REH-045	MOUNTING PLATE	PLAQUE DE FIXATION	
6	8	097-REH-006	MOUNTING PLATE	PLAQUE DE FIXATION	
7	2	098-REH-AB	RIGHT END SECTION	SECTION DU BOUT DROIT	
8	12	206334	SPACER T.M. 1" X L 0,75" X 0.218" MUR	ESPACER T.M. 1" X L 0,75" X 0.218" MUR	
9	72	502006-1	FLAT WASHER 1/2 Z	RONDELLE PLATE 1/2 Z	
10	12	506008-2	HEX. BOLT M12 X 1.75 X 30mm CL8.8	BOULON HEX. M12 X 1.75 X 30mm CL8.8	
11	76	506040	NYLON NUT M12 X 1.75	ECROU NYLON M12 X 1.75	
12	16	506095	HEX. BOLT M12 X 1.75 X 50mm CL8.8	BOULON HEX. M12 X 1.75 X 50mm CL8.8	
13	48	507135	CARRIAGE BOLT M12 X 1.75 X 40 CL8.8	BOULON CAROSSERIE M12 X 1.75 X 40 CL8.8	

18A - BELT HORIZONTAL CONVEYOR / CONVOYEUR HORIZONTAL À COURROIE



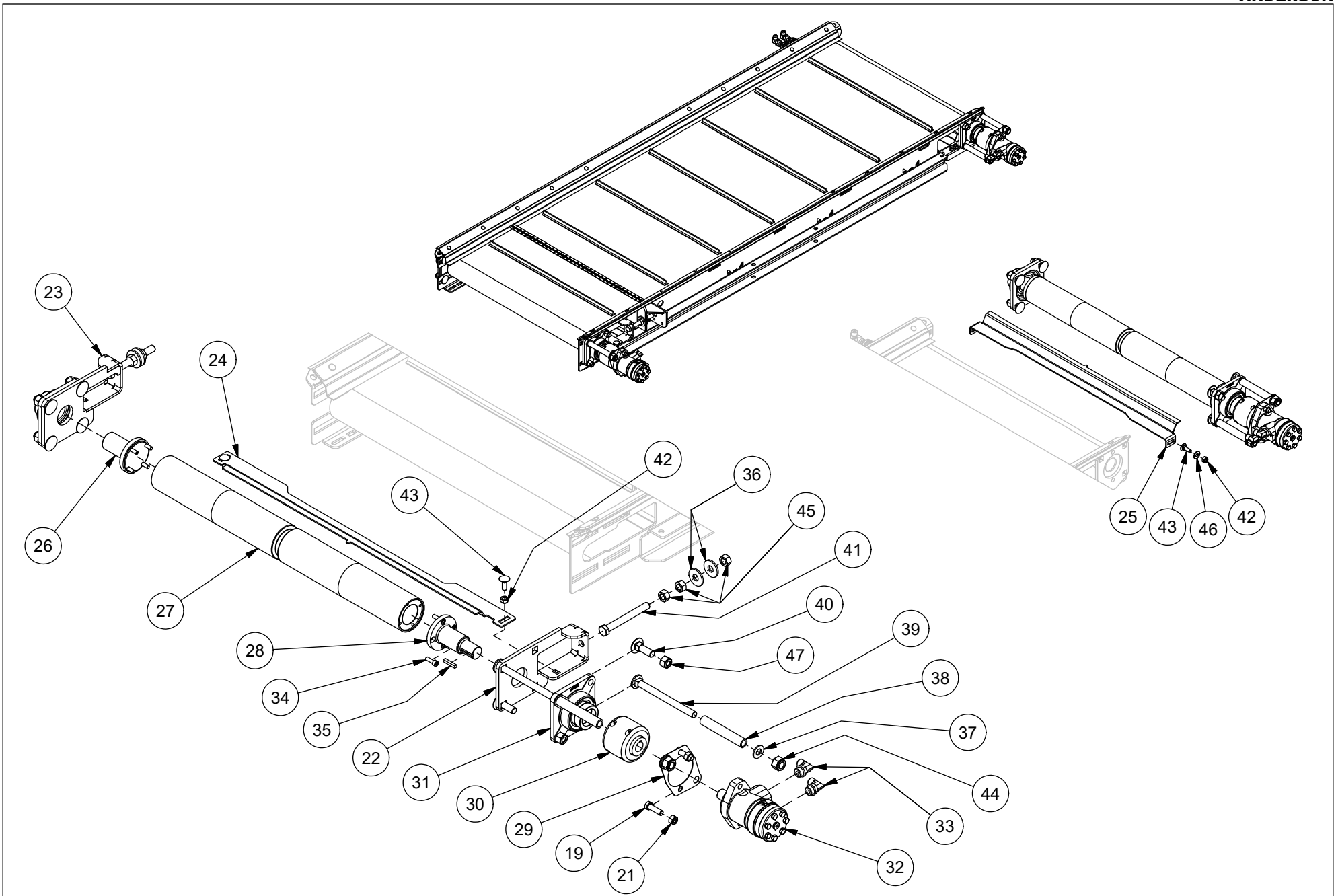
18A - BELT HORIZONTAL CONVEYOR / CONVOYEUR HORIZONTAL À COURROIE



ANDERSON

ITEM	QT	PART/PIECE	ENGLISH DESCRIPTION	DESCRIPTION FRANCAISE	NOTE
1	2	090-CON-070	RUBBER BELT PLATE	PLAQUE POUR COURROIE DE RUBBER	
2	1	090-CON-AK	HORIZONTAL CONVEYOR FRAME	CHÂSSIS DE CONVOYEUR HORIZONTAL	
3	1	090-CON-160	HYDRAULIC FITTING SUPPORT	SUPPORT D'ADAPTEUR HYDRAULIQUE	
4	1	430041-1	BELT2PLY150 1/32X1/32.75RCCV32.88X190.43	COUR2PLY150 1/32X1/32.75RCCV32.88x190.43	
5	2	250058	RUBBER BELT	COURROIE DE RUBBER	
6	4	320168	CONNECTING PIN	PIN DE CONNEXION	
7	1	325201	ALLIGATOR JOINT WASHER	RONDELLE DE JOINT ALLIGATOR	
8	1	250008	ALLIGATOR ATTACHE 36"	ATTACHE ALLIGATOR 36"	
9	4	452000	1/2 QUICK COUPLER NPTM	RACCORD RAPIDE 1/2 NPTM	
10	4	451457	8 M.JIC - 8 M.NPT	8 M.JIC - 8 M.NPT	
11	4	450899	BH NUT 8	BH NUT 8	
12	2	466409	FLOW CONTROL 1/2" NPT	CONTROL DE DÉBIT 1/2" NPT	
13	2	450548	8 M JIC - 8 M NPT	8 M JIC - 8 M NPT	
14	2	452001	QUICK COUPLER 1/2 F	RACCORD RAPIDE 1/2 F	
15	2	450716	M JIC 8 - M NPT 8 90 DEG	M JIC 8 - M NPT 8 90 DEG	
16	1	470051	DOUBLE HOSE HOLDER 21.3mm (0.84")	SUPPORT BOYAU DOUBLE 21.3mm (0.84")	
17	17	500706	CBZ M6 X 1.0 X 20 CL8.8	CBZ M6 X 1.0 X 20 CL8.8	
18	2	502009	FLAT WASHER 3/4 Z	RONDELLE PLATE 3/4 Z	
19	13	506129	HEX. BOLT M12 X 1.75 X 40mm CL8.8	BOULON HEX. M12 X 1.75 X 40mm CL8.8	
20	1	502006-1	FLAT WASHER 1/2 Z	RONDELLE PLATE 1/2 Z	
21	21	506040	NYLON NUT M12 X 1.75	ECROU NYLON M12 X 1.75	

18B - BELT CONVEYOR / CONVOYEUR HORIZONTAL À COURROIE

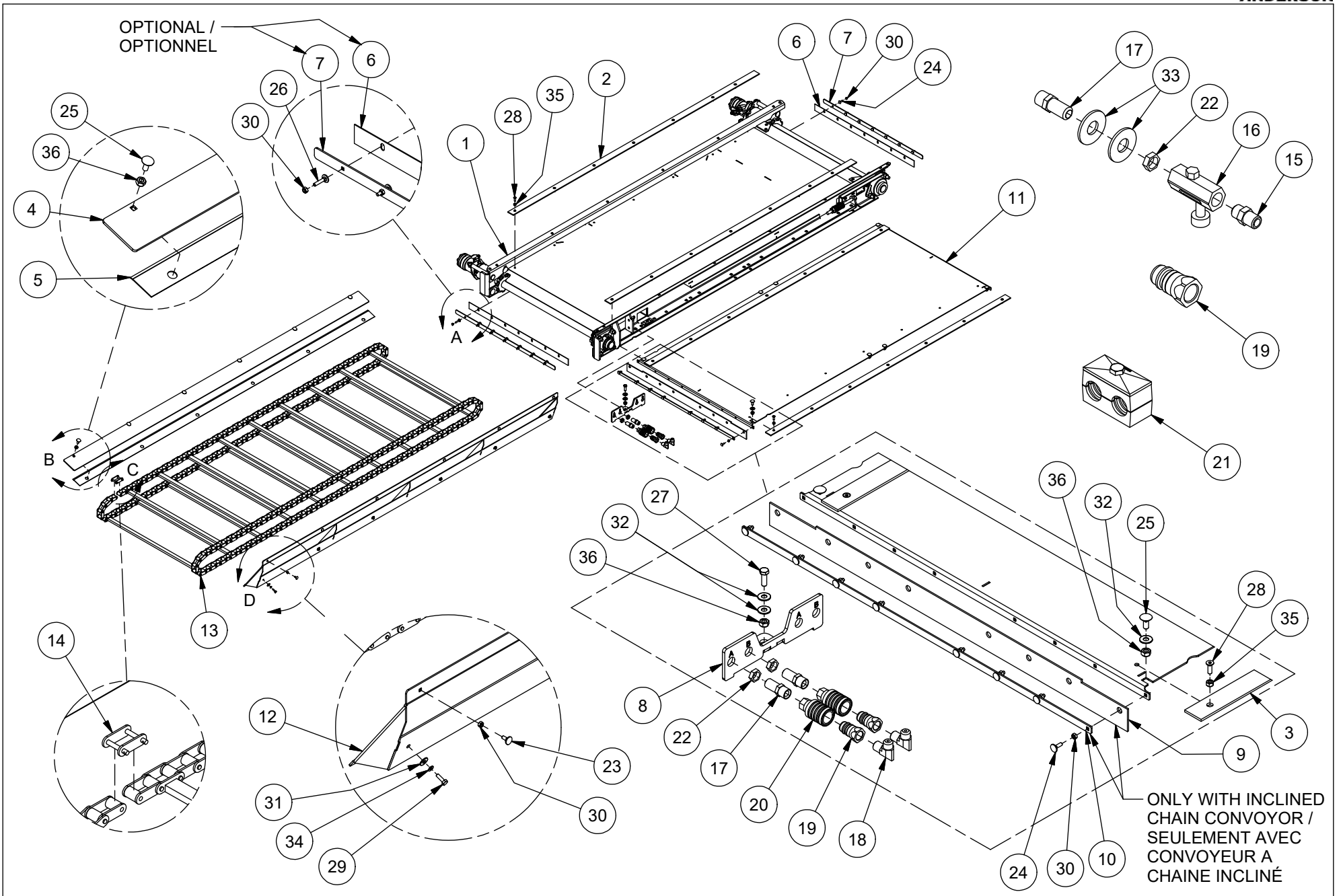


18B - BELT HORIZONTAL CONVEYOR / CONVOYEUR HORIZONTAL À COURROIE



ITEM	QT	PART/PIECE	ENGLISH DESCRIPTION	DESCRIPTION FRANCAISE	NOTE
19	13	506129	HEX. BOLT M12 X 1.75 X 40mm CL8.8	BOULON HEX. M12 X 1.75 X 40mm CL8.8	
21	21	506040	NYLON NUT M12 X 1.75	ECROU NYLON M12 X 1.75	
22	1	090-CON-AM	CONVEYOR TENSIONER	TENDEUR DE CONVOYEUR	
23	1	090-CON-AL	CONVEYOR TENSIONER	TENDEUR DE CONVOYEUR	
24	1	091-CON-021	AJUSTABLE PULLEY SCRAPER	RACLOIR DE POULIE AJUSTABLE	
25	1	091-CON-020	FIXED PULLEY SCRAPER	RACLOIR DE POULIE FIXE	
26	2	900782	PULLEY EXTENSION	EXTENSION DE POULIE	
27	2	900783	CONVEYOR PULLEY	POULIE DE CONVOYEUR	
28	2	091-CON-050	DRIVE PULLEY EXTENSION	EXTENSION DE POULIE AVEC ARBRE DE TRANSMISSION	
29	2	090-CON-393	HYDRAULIC MOTOR SUPPORT	SUPPORT DE MOTEUR HYDRAULIQUE	
30	2	322062	CHAIN COUPLING	ACCOUPLLEMENT À CHAÎNE	
31	4	303161	FLANGE BEARING 1 3/4	ROULEMENT A PALIER 1 3/4	
32	2	469161-1	HYD. MOTOR MLHP100CN4UPE	MOTEUR HYD. MLHP100CN4UPE	
33	4	451266	8 M.JIC - 10 M.ORB 90°	8 M.JIC - 10 M.ORB 90°	
34	16	506140	SOCKET HEAD CAP SCREW M8-1.25 X 25MMCL8.8	VIS A TETE CYL. M8-1.25 X 25MMCL8.8	
35	2	325141-1	KEY 1/4 X 1/4 X 1 1/2	CLE 1/4 X 1/4 X 1 1/2	
36	4	502008	FLAT WASHER 5/8 Z	RONDELLE PLATE 5/8 Z	
37	4	502008-1	FLAT WASHER 5/8 Z-SAE	RONDELLE PLATE 5/8 Z-SAE	
38	4	090-CON-180	HYDRAULIC MOTOR LONG SPACER	ESPACEUR LONG DE MOTEUR HYDRAULIQUE	
39	4	500556	CARRIAGE BOLT	BOULON DE CARROSSERIE	
40	12	506154	CARRIAGE BOLT M16 X 2 X 50 CL8.8	CBZ M16 - 2.00 X 50MM CL8.8	
41	2	506150	HEX. BOLT M16 X 2 X 140mm FT CL8.8	BOULON HEX. M16 X 2 X 140mm FT CL8.8	
42	4	506039	NYLON NUT M10 X 1.5	ECROU NYLON M10 X 1.5	
43	4	500705	CARRIAGE BOLT M10 X 1.50 X 30 CL4.6	BOULON CAROSSERIE M10 X 1.50 X 30 CL4.6	
44	4	501035	HEX NYLON LOCKNUT GR5 5/8-11 Z	ÉCROU NYLON IND HEX GR5 5/8-11 Z	
45	6	501119	HEX NUT M16 X 2 CL8 Z	ÉCROU HEX M16 X 2 CL8 Z	
46	2	502004	FLAT WASHER 3/8 Z	RONDELLE PLATE 3/8 Z	
47	12	506037	NYLON NUT M16 X 2	ECROU NYLON M16 X 2	

18C - CHAIN HORIZONTAL CONVEYOR / CONVOYEUR HORIZONTAL À CHAÎNE

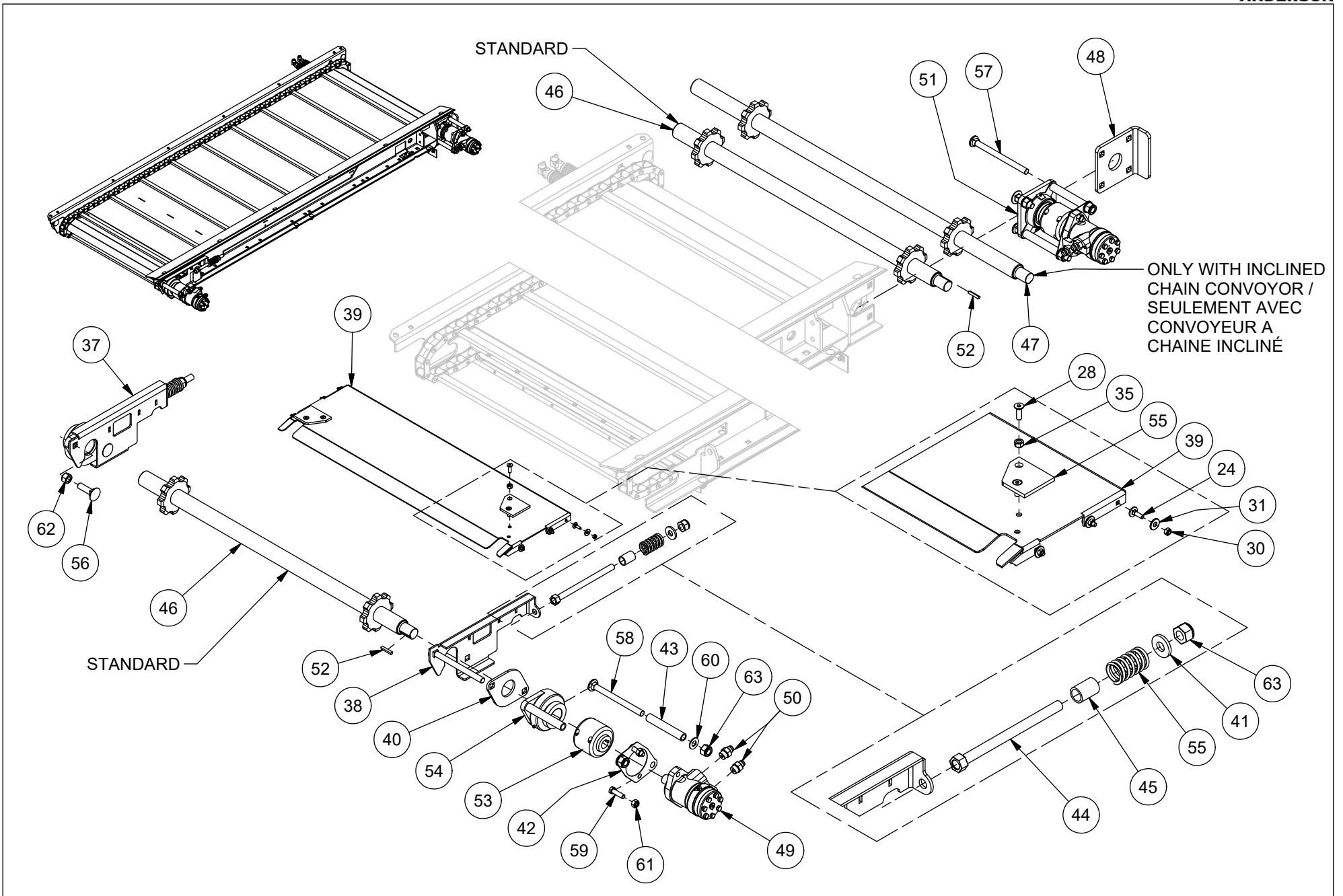


18C - CHAIN HORIZONTAL CONVEYOR / CONVOYEUR HORIZONTALE À CHAÎNE



ITEM	QT	PART/PIECE	ENGLISH DESCRIPTION	DESCRIPTION FRANCAISE	NOTE
1	1	097-CON-AP	HORIZONTAL CONVEYOR FRAME	CHÂSSIS DE CONVOYEUR HORIZONTAL	
2	2	097-CON-055	BLACK UHMW ABOVE CHAIN CONVEYOR HORIZONTAL	UHMW NOIR DESSUS CONVOYEUR HORIZONTAL À CHAÎNE	3/16" X 1 7/8" X 80 7/8"
3	2	097-CON-097	BLACK UHMW UNDER CHAIN CONVEYOR HORIZONTAL	UHMW NOIR SOUS CONVOYEUR HORIZONTAL À CHAÎNE	3/16" X 1 7/8" X 78 3/4"
4	1	097-CON-184	RUBBER BELT PLATE	PLAQUE POUR COURROIE DE RUBBER	
5	1	097-CON-185	RUBBER BELT	COURROIE DE RUBBER	
6	2	097-CON-187	RUBBER BELT	COURROIE DE RUBBER	
7	2	097-CON-189	FIXATION RUBBER BELT	FIXATION POUR COURROIE DE CAOUTCHOUC	
8	1	097-CON-195	HYDRAULIC FITTING SUPPORT	SUPPORT D'ADAPTEUR HYDRAULIQUE	
9	1	097-CON-374	RUBBER BELT	COURROIE DE RUBBER	ONLY WITH INCLINED CHAIN CONVOYOR / SEULEMENT AVEC CONVOYEUR A CHAÎNE INCLINÉ
10	1	097-CON-376	FLAT BAR	BARRE PLATE	
11	1	097-CON-062	BOTTOM PLATE	PLAQUE DU DESSOUS	
12	1	097-CON-DK	DEFLECTOR	DEFLECTEUR	
13	1	302580	CHAIN	CHAÎNE	
14	0	302583	CA620 CONNECTING LINK	MAILLE PATENTE CA620 CONNECT LINK	
15	2	450548	8 M JIC - 8 M NPT	8 M JIC - 8 M NPT	
16	2	466409	FLOW CONTROL 1/2" NPT	CONTROL DE DÉBIT 1/2" NPT	
17	4	451457	8 M.JIC - 8 M.NPT	8 M.JIC - 8 M.NPT	
18	2	450716	M JIC 8 - M NPT 8 90 DEG	M JIC 8 - M NPT 8 90 DEG	
19	4	452000	1/2 QUICK COUPLER NPTM	RACCORD RAPIDE 1/2 NPTM	
20	2	452001	QUICK COUPLER 1/2 F	RACCORD RAPIDE 1/2 F	
21	4	470051	DOUBLE HOSE HOLDER 21.3mm (0.84")	SUPPORT BOYAU DOUBLE 21.3mm (0.84")	
22	4	450899	BH NUT 8	BH NUT 8	
23	6	506157	CARRIAGE BOLT M6 X 1.0 X 16 CL8.8	BOULON CAROSSERIE M6 X 1.0 X 16 CL8.8	
24	21	500706	CBZ M6 X 1.0 X 20 CL8.8	CBZ M6 X 1.0 X 20 CL8.8	
25	14	500700	CARRIAGE BOLT M10 X 1.50 X 25 CL8.8	BOULON CAROSSERIE M10 X 1.50 X 25 CL8.8	
26	7	500714	CBZ M6 X 1.0 X 30 CL8.8	CBZ M6 X 1.0 X 30 CL8.8	
27	1	506009-2	HEX. BOLT M10 X 1.5 X 30mm CL8.8	BOULON HEX. M10 X 1.5 X 30mm CL8.8	
28	33	507052-1	HEX FLAT SOCKET HEAD BOLT M8 X 1,25 - 25	BOULON TÊTE CREUSE PLATE HEX M8 X 1,25 - 25	
29	6	506124	HEX. BOLT M6 X 1 X 20mm CL8.8	BOULON HEX. M6 X 1 X 20mm CL8.8	
30	34	506050	HEX NUT M6 X 1	ECROU NYLON M6 X 1	
31	12	502002	FLAT WASHER 1/4 Z	RONDELLE PLATE 1/4 Z	
32	10	502004	FLAT WASHER 3/8 Z	RONDELLE PLATE 3/8 Z	
33	2	502009	FLAT WASHER 3/4 Z	RONDELLE PLATE 3/4 Z	
34	6	502064	LOCK WASHER 1/4	RONDELLE DE BLOCAGE 1/4	
35	32	506051	NYLON NUT M8 X 1.25	ECROU NYLON M8 X 1.25	
36	15	506039	NYLON NUT M10 X 1.5	ECROU NYLON M10 X 1.5	

18D - CHAIN HORIZONTAL CONVEYOR / CONVOYEUR HORIZONTALE À CHAÎNE



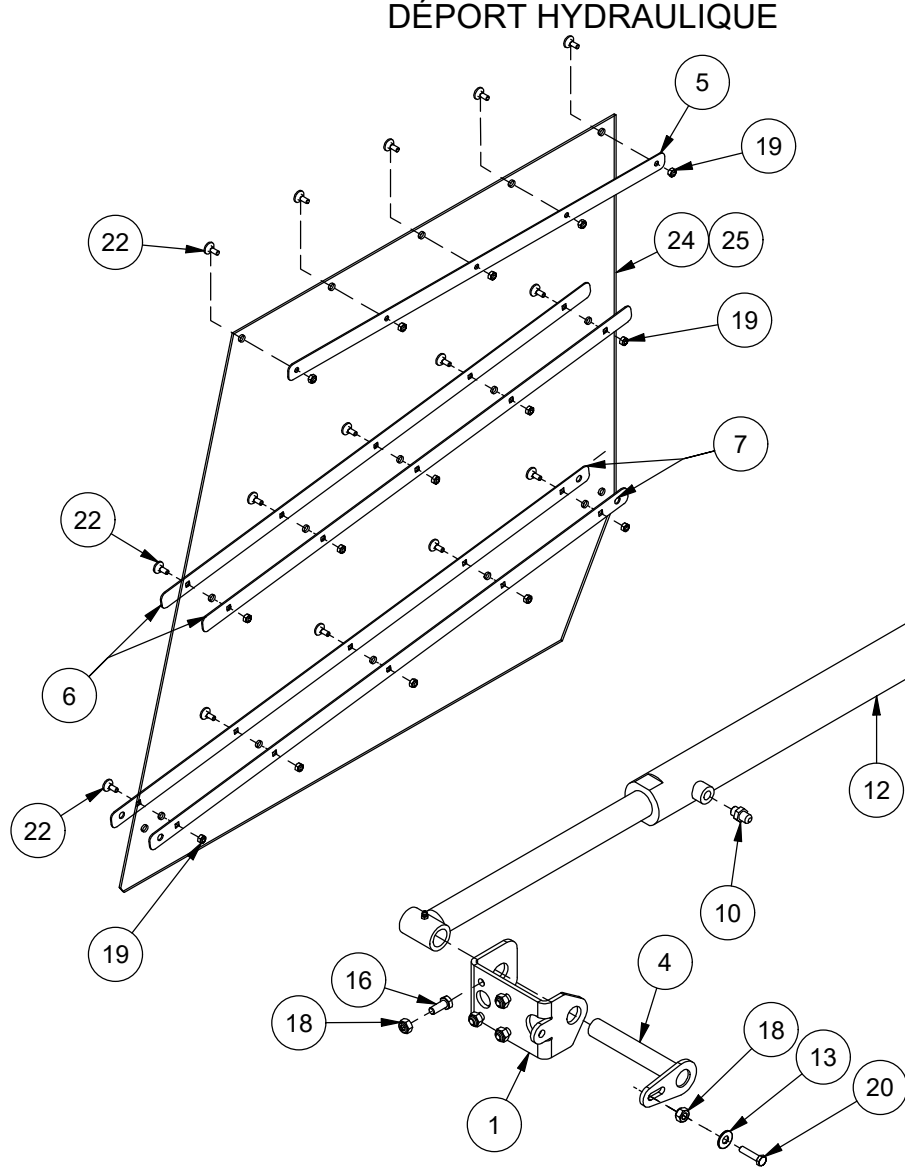
18D - CHAIN HORIZONTAL CONVEYOR / CONVOYEUR HORIZONTALE À CHAÎNE



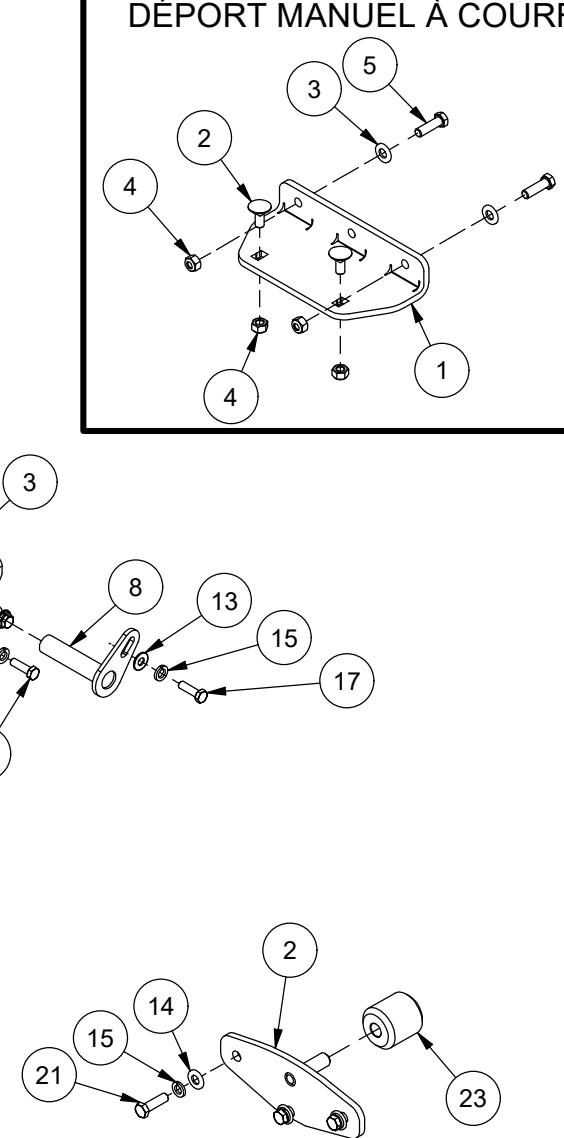
ITEM	QT	PART/PIECE	ENGLISH DESCRIPTION	DESCRIPTION FRANCAISE	NOTE
24	21	500706	CBZ M6 X 1.0 X 20 CL8.8	CBZ M6 X 1.0 X 20 CL8.8	
28	33	507052-1	HEX FLAT SOCKET HEAD BOLT M8 X 1,25 - 25	BOULON TÊTE CREUSE PLATE HEX M8 X 1,25 - 25	
30	34	506050	HEX NUT M6 X 1	ECROU NYLON M6 X 1	
31	12	502002	FLAT WASHER 1/4 Z	RONDELLE PLATE 1/4 Z	
35	32	506051	NYLON NUT M8 X 1.25	ECROU NYLON M8 X 1.25	
37	1	097-CON-106	BEARING FIXATION	FIXATION A ROULEMENT	
38	1	097-CON-106M	BEARING MOUNTING	FIXATION POUR ROULEMENT	
39	1	097-CON-AZ	CONVEYOR PLATE	PLAQUE DU CONVOYEUR	
40	2	097-CON-114	CHAIN CONVEYOR HEAD BEARING SPACER	ESPACEUR DE ROULEMENT TÊTE DE CONVOYEUR À CHAÎNE	
41	2	097-CON-183	WASHER	RONDELLE	
42	2	090-CON-393	HYDRAULIC MOTOR SUPPORT	SUPPORT DE MOTEUR HYDRAULIQUE	
43	4	090-CON-180	HYDRAULIC MOTOR LONG SPACER	ESPACEUR LONG DE MOTEUR HYDRAULIQUE	
44	2	097-CON-BB	AJUSTMENT SCREW	VIS D'AJUSTEMENT	
45	2	097-CON-150	ADJUSTMENT SCREW STOP	BUTÉ DE VIS D'AJUSTEMENT	
46	2	097-CON-BI	SHAFT AND GEAR	AERBRE ET ENGRENAGE	STANDARD
47	1	097-CON-BJ	SHAFT AND GEAR	ARBRE ET ENGRENAGE	ONLY WITH INCLINED CHAIN CONVOYOR / SEULEMENT AVEC CONVOYEUR A CHAINE INCLINÉ
48	2	097-CON-125	BEARING SUPPORT	SUPPORT DE ROULEMENT	
49	2	469173	HYD. MOTOR MLHP100CN4UPE+KPDR145/AP/3	MOTEUR HYD. MLHP100CN4UPE+KPDR145/AP/3	
50	4	451179	8 M JIC - 10 M ORB	8 M JIC - 10 M ORB	
51	2	303161	FLANGE BEARING 1 3/4	ROULEMENT A PALIER 1 3/4	
52	2	325141-1	KEY 1/4 X 1/4 X 1 1/2	CLE 1/4 X 1/4 X 1 1/2	
53	2	322062	CHAIN COUPLING	ACCOUPLLEMENT À CHAÎNE	
54	2	303048	BEARING HCFT209-28	ROULEMENT HCFT209-28	
55	2	097-CON-544	ANTI-NOISE PLATE CHAIN CONVEYOR	PLAQUE ANTI-BRUIT CONVOYEUR À CHAINE	
55	2	304085	COMPRESSION SPRING 1.46 X 1.086 X 2.50	RESSORT COMPRESSION 1.46 X 1.086 X 2.50	
56	8	506153	CARRIAGE BOLT M16 X 2 X 60 CL8.8	BOULON CARROSSERIE M16 X 2 X 60 CL8.8	
57	2	500554	CARRIAGE BOLT	BOULON DE CARROSSERIE	
58	2	500556	CARRIAGE BOLT	BOULON DE CARROSSERIE	
59	16	506129	HEX. BOLT M12 X 1.75 X 40mm CL8.8	BOULON HEX. M12 X 1.75 X 40mm CL8.8	
60	4	502008-1	FLAT WASHER 5/8 Z-SAE	RONDELLE PLATE 5/8 Z-SAE	
61	24	506040	NYLON NUT M12 X 1.75	ECROU NYLON M12 X 1.75	
62	8	506037	NYLON NUT M16 X 2	ECROU NYLON M16 X 2	
63	6	501035	HEX NYLON LOCKNUT GR5 5/8-11 Z	ÉCROU NYLON IND HEX GR5 5/8-11 Z	

18E - BELT CONVEYOR OFFSET / DÉPORT CONVOYEUR À COURROIE

HYDRAULIC OFFSET DÉPORT HYDRAULIQUE



BELT MANUAL OFFSET DÉPORT MANUEL À COURROIE



18E - BELT CONVEYOR OFFSET / DÉPORT CONVOYEUR À COURROIE

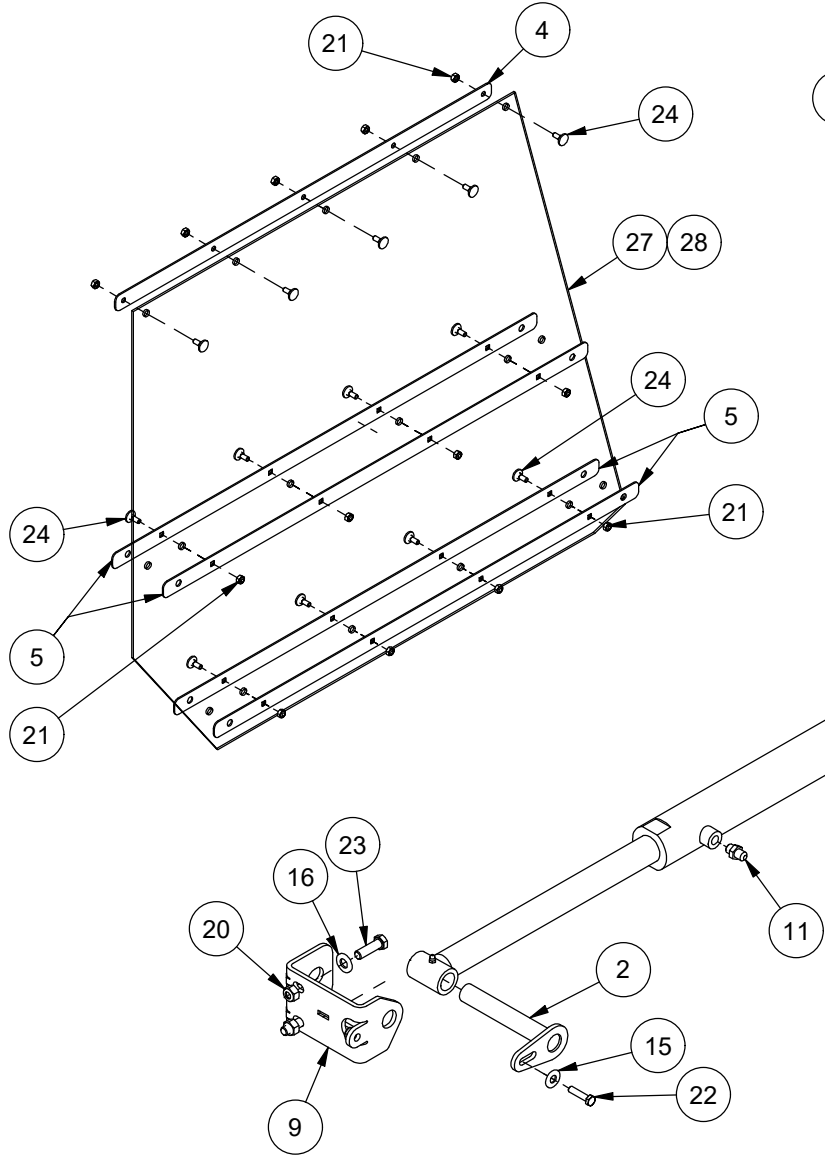


HYDRAULIC OFFSET / DÉPORT HYDRAULIQUE					
ITEM	QT	PART/PIECE	ENGLISH DESCRIPTION	DESCRIPTION FRANCAISE	NOTE
1	1	090-CON-436	CYLINDER ATTACHMENT	ATTACHE DE CYLINDRE	
2	4	090-CON-AT	ROLLER SUPPORT	SUPPORT DE ROULEAU	
3	1	090-CON-BN	CYLINDER SUPPORT	SUPPORT DE CYLINDRE	
4	1	090-CON-EE	PLATED PIN	GOUILLE PLAQUEE	
5	2	090-GRD-046	WEIGHT PLATE	PLAQUE DE POIDS	
6	4	090-GRD-047	WEIGHT PLATE	PLAQUE DE POIDS	
7	4	090-GRD-048	WEIGHT PLATE	PLAQUE DE POIDS	
8	1	250063	PLATED PIN	GOUILLE PLAQUEE	
9	6	320009-3	PIPE CLAMP	SUPPORT BOYAU	
10	2	451171	6 M.JIC- 6M.ORB	6 M.JIC- 6M.ORB	
11	2	452000	1/2 QUICK COUPLER NPTM	RACCORD RAPIDE 1/2 NPTM	
12	1	467355	CYLINDER HBU 2030-S	CYLINDRE HBU 2030-S	SEAL KIT #467833
13	5	502004	FLAT WASHER 3/8 Z	RONDELLE PLATE 3/8 Z	
14	12	502006	FLAT WASHER 1/2 Z-SAE	RONDELLE PLATE 1/2 Z-SAE	
15	16	502048	LOCK WASHER 1/2	RONDELLE DE BLOCAGE 1/2	
16	4	506009-1	HEX. BOLT M10 X 1.5 X 25mm CL8.8	BOULON HEX. M10 X 1.5 X 25mm CL8.8	
17	4	506009-3	HEX. BOLT M10 X 1.5 X 35mm CL8.8	BOULON HEX. M10 X 1.5 X 35mm CL8.8	
18	5	506039	NYLON NUT M10 X 1.5	ECROU NYLON M10 X 1.5	
19	30	506050	HEX NUT M6 X 1	ECROU NYLON M6 X 1	
20	1	506086	HEX. BOLT M8 X 1.25 X 35mm CL8.8	BOULON HEX. M8 X 1.25 X 35mm CL8.8	
21	12	506129	HEX. BOLT M12 X 1.75 X 40mm CL8.8	BOULON HEX. M12 X 1.75 X 40mm CL8.8	
22	30	506157	CARRIAGE BOLT M6 X 1.0 X 16 CL8.8	BOULON CAROSSERIE M6 X 1.0 X 16 CL8.8	
23	4	900785	ROLLER	ROULEAU	
24	1	090-GRD-042R	RIGHT BLACK RETENTION CANVAS	TOILE DE RÉTENTION NOIR DROIT	
25	1	090-GRD-042L	LEFT BLACK RETENTION CANVAS	TOILE NOIR DE RETENTION GAUCHE	

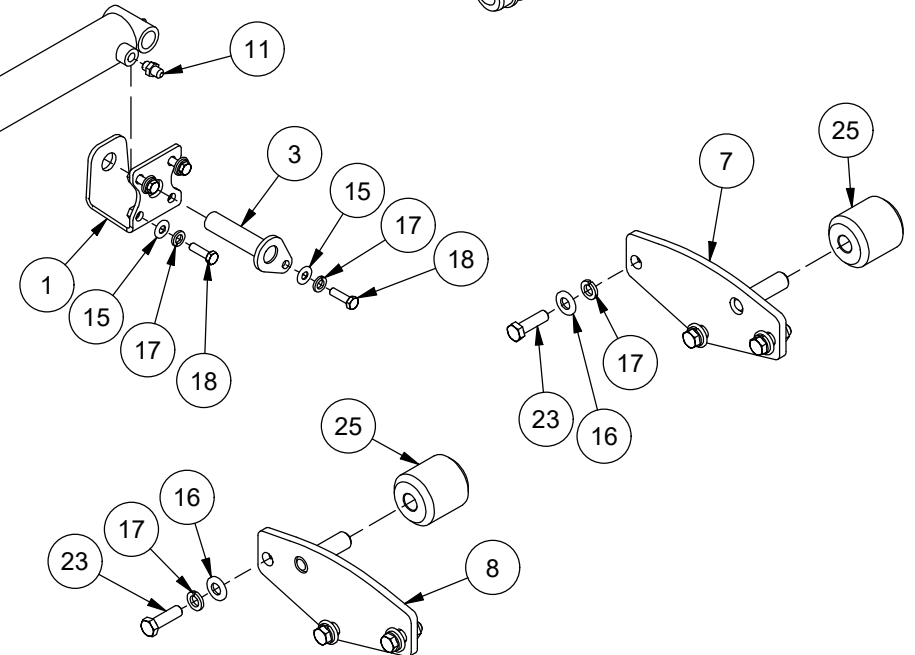
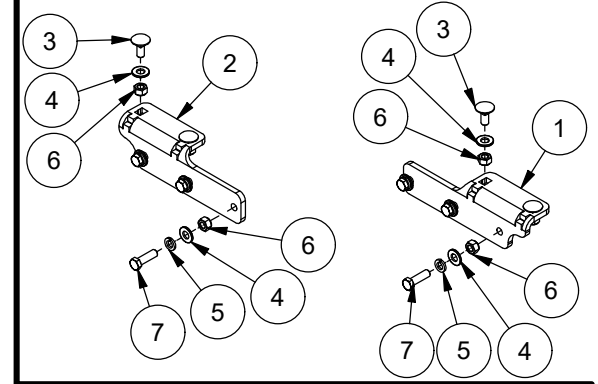
BELT MANUAL OFFSET / DÉPORT MANUEL À COURROIE					
ITEM	QT	PART/PIECE	ENGLISH DESCRIPTION	DESCRIPTION FRANCAISE	NOTE
1	4	090-CON-075	CONVEYOR SUPPORT	SUPPORT À CONVOYEUR	
2	8	500701	CARRIAGE BOLT M12 X 1.75 X 30 CL8.8	BOULON CAROSSERIE M12 X 1.75 X 30 CL8.8	
3	16	502006	FLAT WASHER 1/2 Z-SAE	RONDELLE PLATE 1/2 Z-SAE	
4	16	506040	NYLON NUT M12 X 1.75	ECROU NYLON M12 X 1.75	
5	8	506129	HEX. BOLT M12 X 1.75 X 40mm CL8.8	BOULON HEX. M12 X 1.75 X 40mm CL8.8	

18F - CHAIN CONVEYOR OFFSET / DÉPORT CONVOYEUR À CHAÎNE

HYDRAULIC OFFSET DÉPORT HYDRAULIQUE



CHAIN MANUAL OFFSET DÉPORT MANUEL À CHÂNE



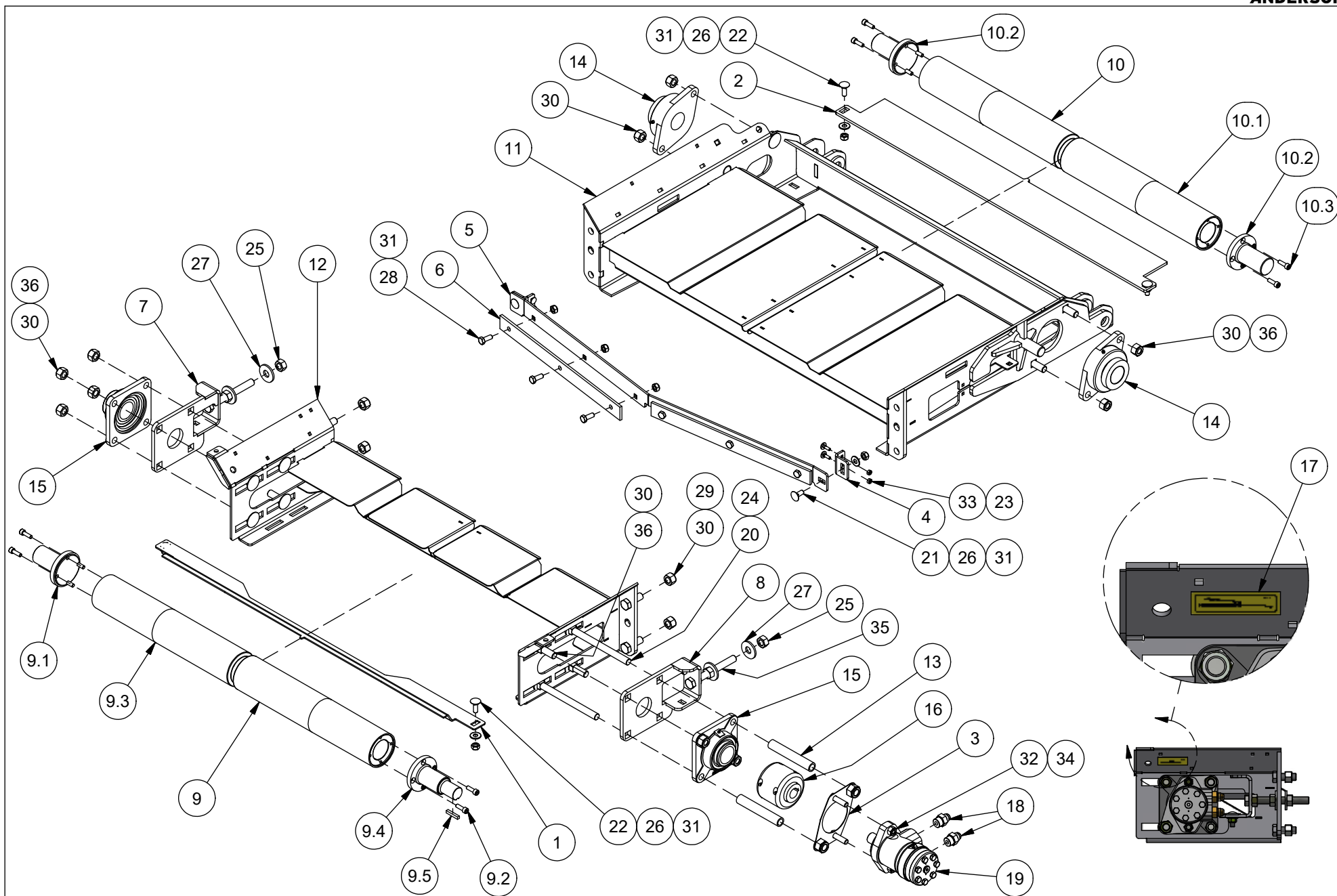
18F - CHAIN CONVEYOR OFFSET / DÉPORT CONVOYEUR À CHAÎNE



HYDRAULIC OFFSET / DÉPORT HYDRAULIQUE						
ITEM	QT	PART/PIECE	ENGLISH DESCRIPTION	DESCRIPTION FRANCAISE	NOTE	
1	1	090-CON-BN	CYLINDER SUPPORT	SUPPORT DE CYLINDRE		
2	1	090-CON-EE	PLATED PIN	GOUPILLE PLAQUEE		
3	1	090-CON-EH	PLATED PIN	GOUPILLE PLAQUEE		
4	2	090-GRD-046	WEIGHT PLATE	PLAQUE DE POIDS		
5	8	091-GRD-043	WEIGHT PLATE	PLAQUE DE POIDS		
6	2	097-CON-194	RUBBER BELT PLATE	PLAQUE POUR COURROIE DE RUBBER		
7	2	097-CON-BH	ROLLER SUPPORT	SUPPORT DE ROULEAU		
8	2	097-CON-DF	ROLLER SUPPORT	SUPPORT DE ROULEAU		
9	1	097-CON-GF	CONVEYOR OFFSET CYLINDER SUPPORT	SUPPORT CYLINDRE DEPORT CONVOYEUR		
10	6	320009-3	PIPE CLAMP	SUPPORT BOYAU		
11	2	451171	6 M.JIC- 6M.ORB	6 M.JIC- 6M.ORB		
12	2	452000	1/2 QUICK COUPLER NPTM	RACCORD RAPIDE 1/2 NPTM		
13	1	467355	CYLINDER HBU 2030-S	CYLINDRE HBU 2030-S	SEAL KIT #467833	
14	4	500700	CARRIAGE BOLT M10 X 1.50 X 25 CL8.8	BOULON CARROSSERIE M10 X 1.50 X 25 CL8.8		
15	5	502004	FLAT WASHER 3/8 Z	RONDELLE PLATE 3/8 Z		
16	14	502006	FLAT WASHER 1/2 Z-SAE	RONDELLE PLATE 1/2 Z-SAE		
17	16	502048	LOCK WASHER 1/2	RONDELLE DE BLOCAGE 1/2		
18	4	506009-3	HEX. BOLT M10 X 1.5 X 35mm CL8.8	BOULON HEX. M10 X 1.5 X 35mm CL8.8		
19	5	506039	NYLON NUT M10 X 1.5	ECROU NYLON M10 X 1.5		
20	2	506040	NYLON NUT M12 X 1.75	ECROU NYLON M12 X 1.75		
21	26	506050	HEX NUT M6 X 1	ECROU NYLON M6 X 1		
22	1	506086	HEX. BOLT M8 X 1.25 X 35mm CL8.8	BOULON HEX. M8 X 1.25 X 35mm CL8.8		
23	14	506129	HEX. BOLT M12 X 1.75 X 40mm CL8.8	BOULON HEX. M12 X 1.75 X 40mm CL8.8		
24	26	506157	CARRIAGE BOLT M6 X 1.0 X 16 CL8.8	BOULON CARROSSERIE M6 X 1.0 X 16 CL8.8		
25	4	900785	ROLLER	ROULEAU		
27	1	090-GRD-074L	LEFT BLACK RETENTION CANVAS	TOILE NOIR DE RETENTION GAUCHE		
28	1	090-GRD-074R	RIGHT BLACK RETENTION CANVAS	TOILE DE RÉTENTION NOIR DROIT		

CHAIN MANUAL OFFSET PIECE / DÉPORT MANUEL À CHAÎNE						
ITEM	QT	PART/PIECE	ENGLISH DESCRIPTION	DESCRIPTION FRANCAISE	NOTE	
1	2	097-CON-332	FRONT CONVEYOR FIXING	FIXATION AVANT CONVOYEUR		
2	2	097-CON-332M	REAR CONVEYOR MOUNTING	FIXATION ARRIÈRE CONVOYEUR		
3	8	500701	CARRIAGE BOLT M12 X 1.75 X 30 CL8.8	BOULON CARROSSERIE M12 X 1.75 X 30 CL8.8		
4	20	502006	FLAT WASHER 1/2 Z-SAE	RONDELLE PLATE 1/2 Z-SAE		
5	12	502048	LOCK WASHER 1/2	RONDELLE DE BLOCAGE 1/2		
6	24	506040	NYLON NUT M12 X 1.75	ECROU NYLON M12 X 1.75		
7	16	506129	HEX. BOLT M12 X 1.75 X 40mm CL8.8	BOULON HEX. M12 X 1.75 X 40mm CL8.8		

19A - COMMUN INCLINE BELT CONVEYOR / COMMUN CONVOYEUR INCLINÉ À COURROIE

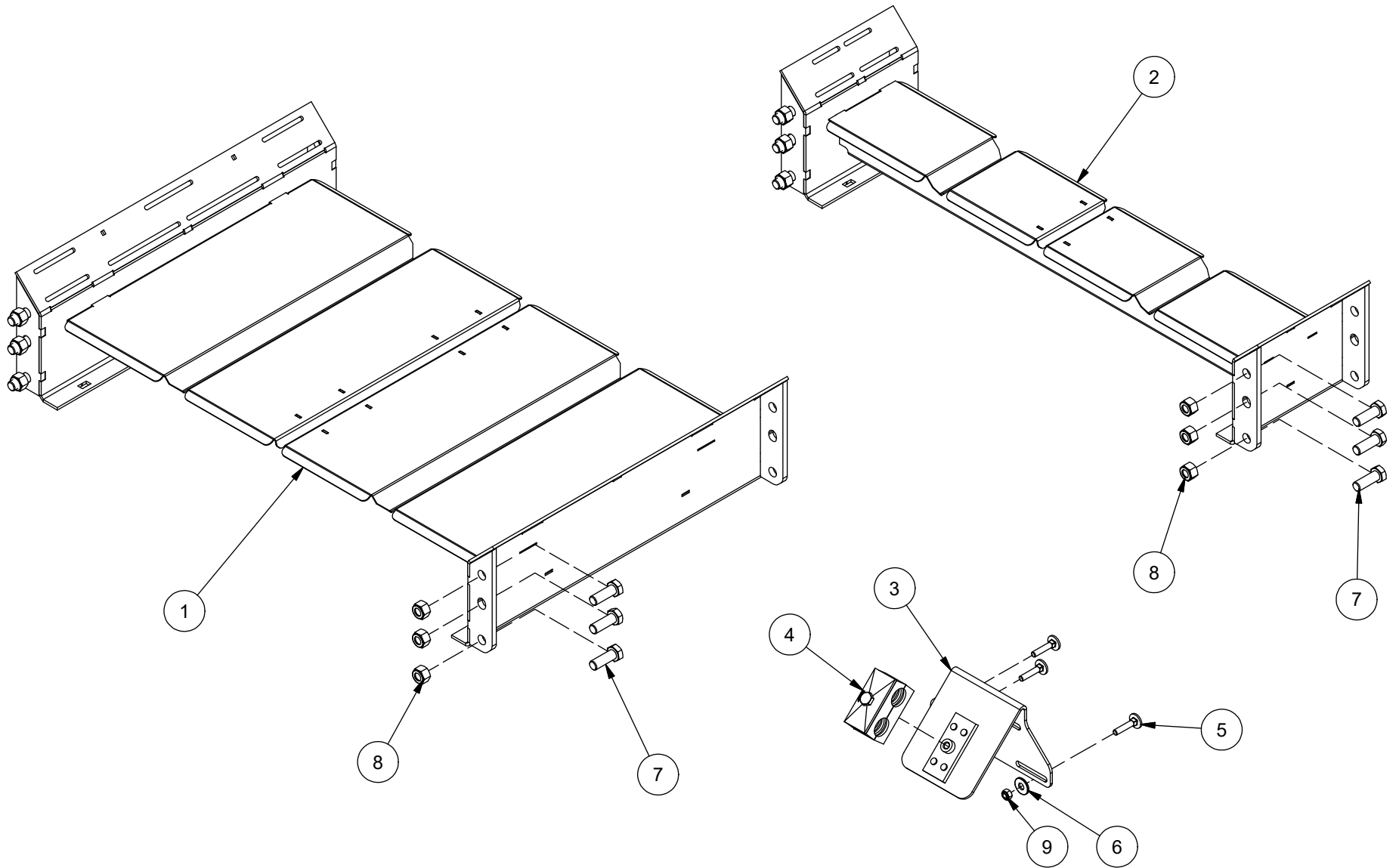


19A - COMMUN INCLINE BELT CONVEYOR / COMMUN CONVOYEUR INCLINÉ À COURROIE



ITEM	QT	PART/PIECE	ENGLISH DESCRIPTION	DESCRIPTION FRANCAISE	NOTE
1	1	090-CON-131	ADJUSTABLE PULLEY SCRAPPER	RACLOIR DE POULIE AJUSTABLE	
2	1	090-CON-369	ADJUSTABLE PULLEY SCRAPPER	RACLOIR DE POULIE AJUSTABLE	
3	1	090-CON-393	HYDRAULIC MOTOR SUPPORT	SUPPORT DE MOTEUR HYDRAULIQUE	
4	2	090-CON-394	FIXING BRACKET	BRAQUETTE DE FIXATION	
5	1	090-CON-395	CENTRAL SCRAPPER	RACLOIR CENTRAL	
6	2	090-CON-396	BELT SCRAPER	RACLOIRE DE TAPIS	
7	1	090-CON-AD	CONVOYER TENSIONER	TENDEUR DE CONVOYEUR	
8	1	090-CON-AE	CONVOYER TENSIONER	TENDEUR DE CONVOYEUR	
9	1	090-CON-CE	DRIVE PULLEY FOR BELT CONVEYOR	POULIE DE TÊTE POUR CONVOYEUR A COURROIE	
9.1	1	900782	PULLEY EXTENSION	EXTENSION DE POULIE	
9.2	8	506140	SOCKET HEAD CAP SCREW M8-1.25 X 25MMCL8.8	VIS A TETE CYL. M8-1.25 X 25MMCL8.8	
9.3	1	900809	PULLEY CENTRAL SECTION	SECTION CENTRALE DE LA POULIE	
9.4	1	091-CON-050	DRIVE PULLEY EXTENSION	EXTENSION DE POULIE AVEC ARBRE DE TRANSMISSION	
9.5	1	325141-1	KEY 1/4 X 1/4 X 1 1/2	CLE 1/4 X 1/4 X 1 1/2	
10	1	090-CON-CF	CONVOYER PULLEY	POULIE DE CONVOYEUR	
10.1	1	900809	PULLEY CENTRAL SECTION	SECTION CENTRALE DE LA POULIE	
10.2	2	900782	PULLEY EXTENSION	EXTENSION DE POULIE	
10.3	8	506140	SOCKET HEAD CAP SCREW M8-1.25 X 25MMCL8.8	VIS A TETE CYL. M8-1.25 X 25MMCL8.8	
11	1	090-CON-DE	BOTTOM CONVEYOR FRAME	CHÂSSIS INFÉRIEUR DU CONVOYEUR	
12	1	090-CON-DF	TOP CONVEYOR FRAME	CHÂSSIS SUPÉRIEUR DU CONVOYEUR	
13	2	090-CON-180	HYDRAULIC MOTOR LONG SPACER	ESPACEUR LONG DE MOTEUR HYDRAULIQUE	
14	2	303048	BEARING HCFT209-28	ROULEMENT HCFT209-28	
15	2	303161	FLANGE BEARING 1 3/4	ROULEMENT A PALIER 1 3/4	
16	1	322062	CHAIN COUPLING	ACCOUPLLEMENT À CHAÎNE	
17	4	404002	LUBRICATION STICKER	DECALQUE GRAISSAGE	
18	2	451179	8 M JIC - 10 M ORB	8 M JIC - 10 M ORB	
19	1	469161	HYD. MOTOR MLHP100CN4UPE+KPDR145/AP/3	MOTEUR HYD. MLHP100CN4UPE+KPDR145/AP/3	
20	2	500556	CARRIAGE BOLT	BOULON DE CARROSSERIE	
21	2	500700	CARRIAGE BOLT M10 X 1.50 X 25 CL4.6	BOULON CAROSSERIE M10 X 1.50 X 25 CL4.6	
22	4	500705	CARRIAGE BOLT M10 X 1.50 X 30 CL4.6	BOULON CAROSSERIE M10 X 1.50 X 30 CL4.6	
23	4	500706	CBZ M6 X 1.0 X 20 CL8.8	CBZ M6 X 1.0 X 20 CL8.8	
24	2	501035	HEX NYLON LOCKNUT GR5 5/8-11 Z	ÉCROU NYLON IND HEX GR5 5/8-11 Z	
25	6	501119	HEX NUT M16 X 2 CL8 Z	ÉCROU HEX M16 X 2 CL8 Z	
26	6	502004	FLAT WASHER 3/8 Z	RONDELLE PLATE 3/8 Z	
27	4	502008	FLAT WASHER 5/8 Z	RONDELLE PLATE 5/8 Z	
28	6	506009-1	HEX. BOLT M10 X 1.5 X 25mm CL8.8	BOULON HEX. M10 X 1.5 X 25mm CL8.8	
29	4	506020	HEX. BOLT M16 X 2 X 45mm CL8.8	BOULON HEX. M16 X 2 X 45mm CL8.8	
30	14	506037	NYLON NUT M16 X 2	ECROU NYLON M16 X 2	
31	12	506039	NYLON NUT M10 X 1.5	ECROU NYLON M10 X 1.5	
32	2	506040	NYLON NUT M12 X 1.75	ECROU NYLON M12 X 1.75	
33	4	506050	HEX NUT M6 X 1	ECROU NYLON M6 X 1	
34	2	506129	HEX. BOLT M12 X 1.75 X 40mm CL8.8	BOULON HEX. M12 X 1.75 X 40mm CL8.8	
35	2	506150	HEX. BOLT M16 X 2 X 140mm FT CL8.8	BOULON HEX. M16 X 2 X 140mm FT CL8.8	
36	10	506154	CARRIAGE BOLT M16 X 2 X 50 CL8.8	CBZ M16 - 2.00 X 50MM CL8.8	

19B - INTER INCLINED BELT CONVEYOR / INTER CONVOYEUR INCLINÉ À COURROIE



19B - INTER INCLINED BELT CONVEYOR / INTER CONVOYEUR INCLINÉ À COURROIE



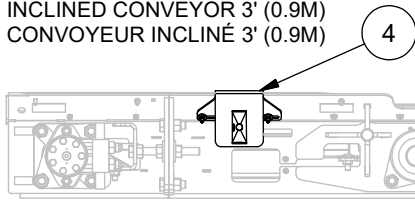
ANDERSON

ITEM	QT	PART/PIECE	ENGLISH DESCRIPTION	DESCRIPTION FRANCAISE	NOTE
1	1	090-CON-AC	CENTRAL CONVEYOR FRAME	CHÂSSIS CENTRAL DU CONVOYEUR	
2	1	090-CON-AG	CENTRAL CONVEYOR FRAME	CHÂSSIS CENTRAL DU CONVOYEUR	
3	1	090-CON-BW	HOSE SUPPORT	SUPPORT DE BOYAU	
4	1	470051	DOUBLE HOSE HOLDER 21.3mm (0.84")	SUPPORT BOYAU DOUBLE 21.3mm (0.84")	
5	3	500714	CBZ M6 X 1.0 X 30 CL8.8	CBZ M6 X 1.0 X 30 CL8.8	
6	3	502002	FLAT WASHER 1/4 Z	RONDELLE PLATE 1/4 Z	
7	12	506020	HEX. BOLT M16 X 2 X 45mm CL8.8	BOULON HEX. M16 X 2 X 45mm CL8.8	
8	12	506037	NYLON NUT M16 X 2	ECROU NYLON M16 X 2	
9	3	506050	HEX NUT M6 X 1	ECROU NYLON M6 X 1	

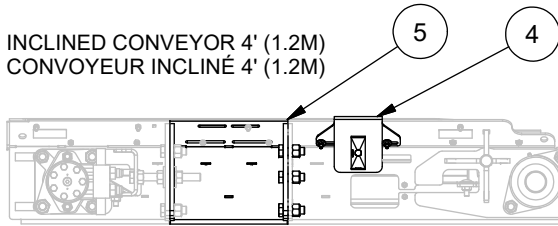
19C - SHORT INCLINE BELT CONVOYOR/ CONVOYEUR INCLINÉ COUR À COURROIE



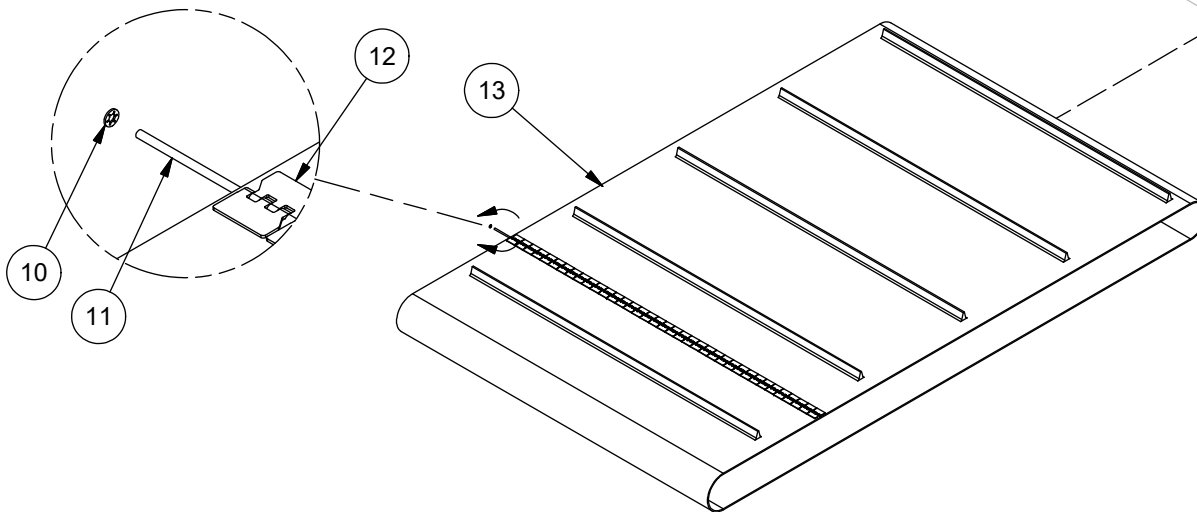
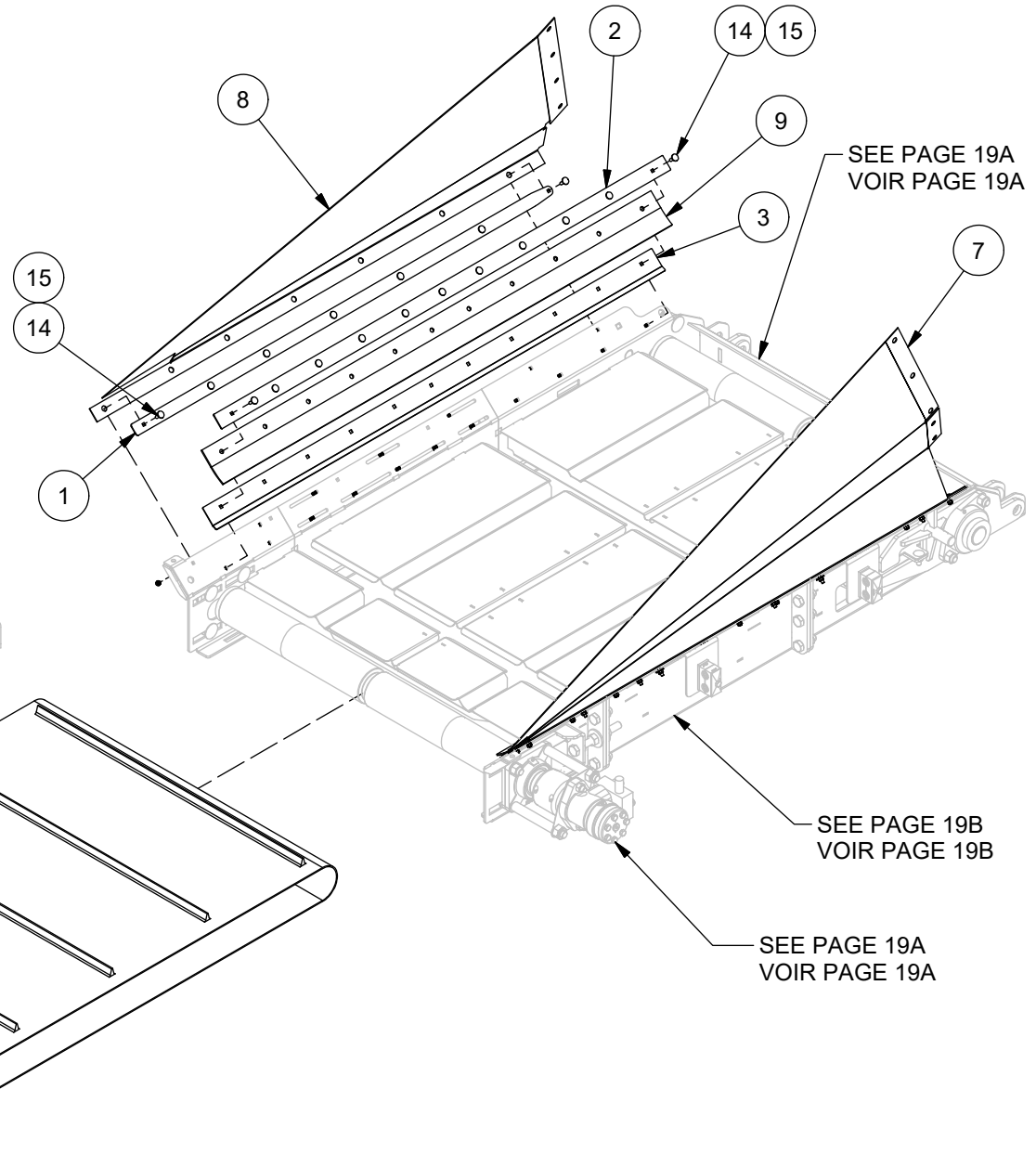
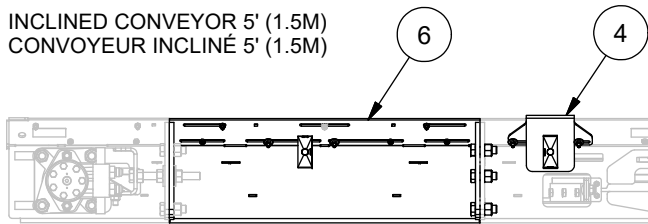
INCLINED CONVEYOR 3' (0.9M)
CONVOYEUR INCLINÉ 3' (0.9M)



INCLINED CONVEYOR 4' (1.2M)
CONVOYEUR INCLINÉ 4' (1.2M)



INCLINED CONVEYOR 5' (1.5M)
CONVOYEUR INCLINÉ 5' (1.5M)

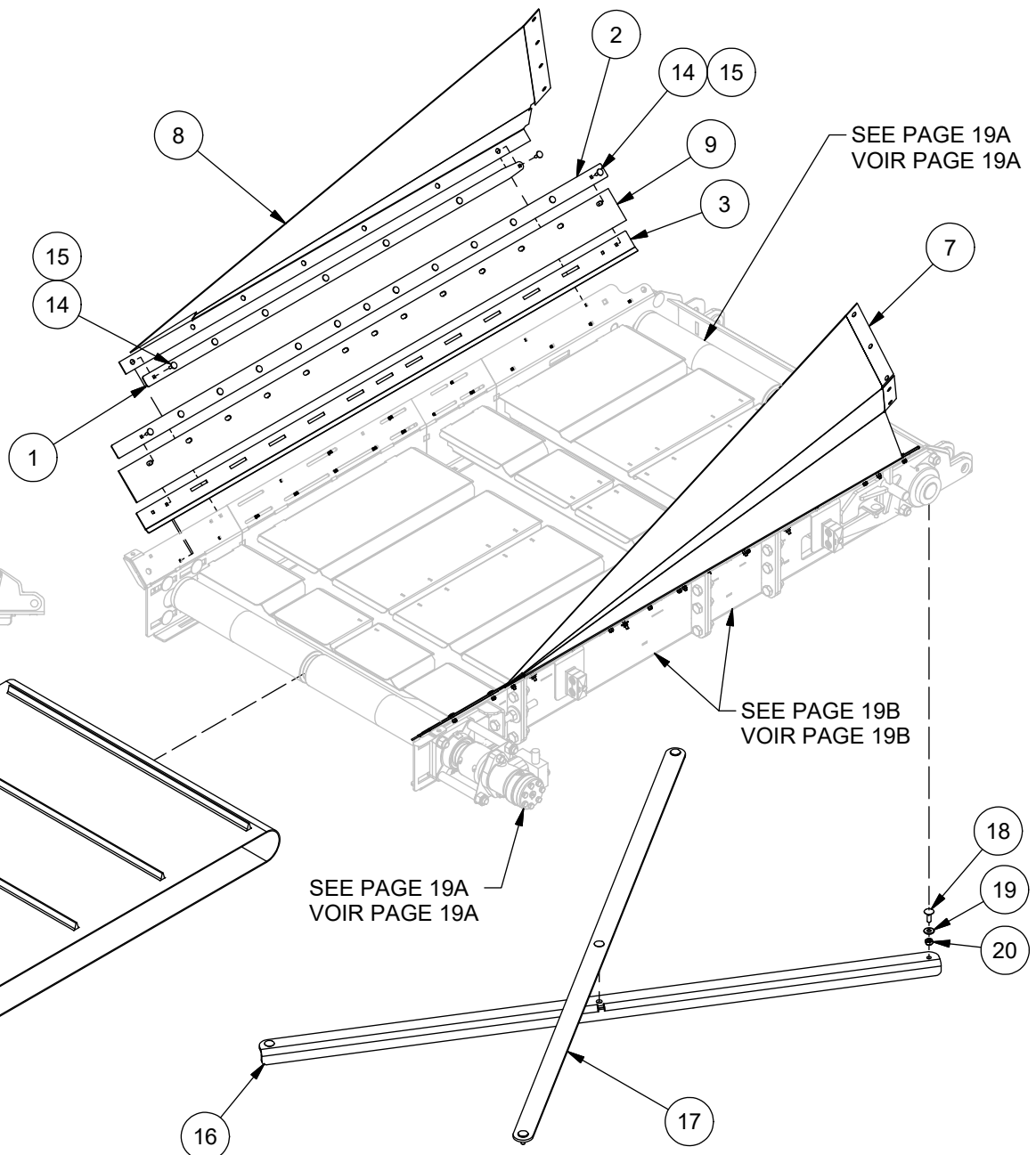
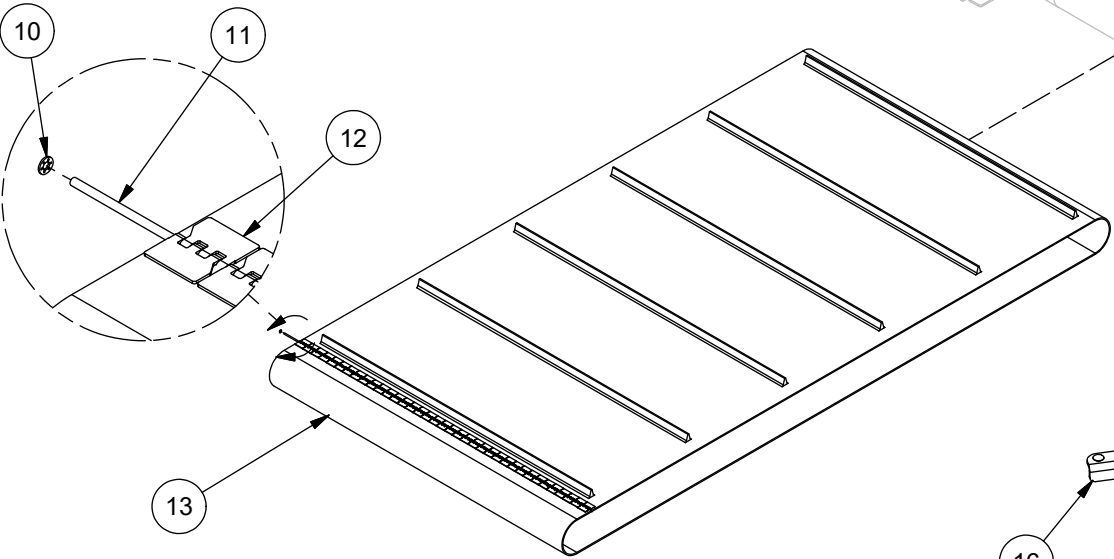
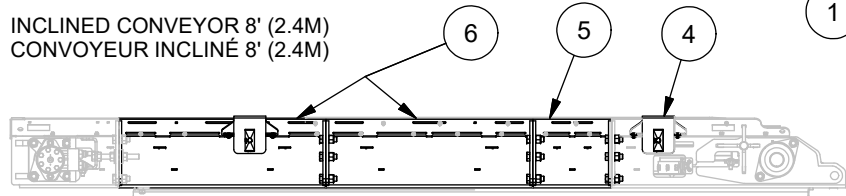
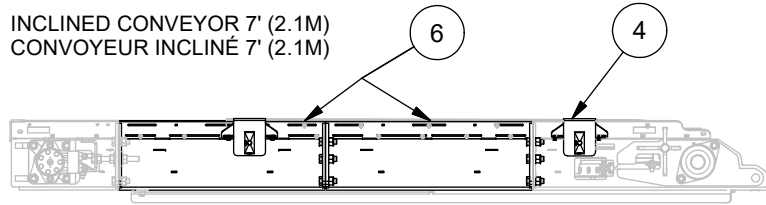
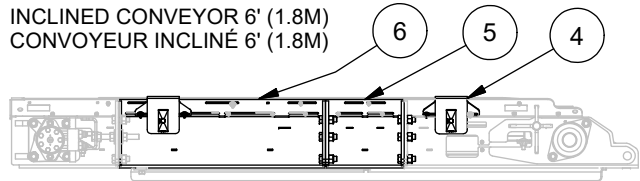


19C - SHORT INCLINE BELT CONVOYOR/ CONVOYEUR INCLINÉ COURT À COURROIE



CONVOYOR 3' (0.9M) / CONVOYEUR 3' (0.9M)					
ITEM	QT	PART/PIECE	ENGLISH DESCRIPTION	DESCRIPTION FRANCAISE	NOTE
1	2	090-CON-045	CANVAS PLATE	PLAQUE POUR TOILE	
2	2	090-CON-044	RUBBER BELT PLATE	PLAQUE POUR COURROIE DE RUBBER	
3	2	090-CON-316	BELT PLATE	PLAQUE DE COURROIE	
4	1	090-CON-BW	HOSE SUPPORT	SUPPORT DE BOYAU	
7	1	250351	GRAY CANVAS 090-CON-169	TOILE GRISE 090-CON-169	
8	1	250350	GRAY CANVAS 090-CON-168	TOILE GRISE 090-CON-168	
9	2	322689	RUBBER BELT	COURROIE DE RUBBER	
10	1	325201	ALLIGATOR JOINT WASHER	RONDELLE DE JOINT ALLIGATOR	
11	4	320168	CONNECTING PIN	PIN DE CONNEXION	
12	1	250008	ALLIGATOR ATTACHE 36"	ATTACHE ALLIGATOR 36"	
13	1	430042	BELT 69.881" x 36.625" CH07-9300	COURROIE 69.881" x 36.625" CH07-9300	
14	18	500706	CBZ M6 X 1.0 X 20 CL8.8	CBZ M6 X 1.0 X 20 CL8.8	
15	20	506050	HEX NUT M6 X 1	ECROU NYLON M6 X 1	
CONVOYOR 4' (1.2M) / CONVOYEUR 4' (1.2M)					
ITEM	QT	PART/PIECE	ENGLISH DESCRIPTION	DESCRIPTION FRANCAISE	NOTE
1	2	090-CON-041	CANVAS PLATE	PLAQUE POUR TOILE	
2	2	090-CON-179	RUBBER BELT PLATE	PLAQUE POUR COURROIE DE RUBBER	
3	2	090-CON-317	BELT PLATE	PLAQUE DE COURROIE	
4	1	090-CON-BW	HOSE SUPPORT	SUPPORT DE BOYAU	
5	1	090-CON-CO	INTER SHORT SECTION	INTER SECTION COURTE	
7	1	250353	GRAY CANVAS 090-CON-171	TOILE GRISE 090-CON-171	
8	1	250352	GRAY CANVAS 090-CON-170	TOILE GRISE 090-CON-170	
9	2	322688	RUBBER BELT	COURROIE DE RUBBER	
10	1	325201	ALLIGATOR JOINT WASHER	RONDELLE DE JOINT ALLIGATOR	
11	4	320168	CONNECTING PIN	PIN DE CONNEXION	
12	1	250008	ALLIGATOR ATTACHE 36"	ATTACHE ALLIGATOR 36"	
13	1	430043	BELT 89.567" x 36.625" CH07-9301	COURROIE 89.567" x 36.625" CH07-9301	
14	24	500706	CBZ M6 X 1.0 X 20 CL8.8	CBZ M6 X 1.0 X 20 CL8.8	
15	26	506050	HEX NUT M6 X 1	ECROU NYLON M6 X 1	
CONVOYOR 5' (1.5M) / CONVOYEUR 5' (1.5M)					
ITEM	QT	PART/PIECE	ENGLISH DESCRIPTION	DESCRIPTION FRANCAISE	NOTE
1	2	090-CON-029	CANVAS PLATE	PLAQUE POUR TOILE	
2	2	090-CON-032	RUBBER BELT PLATE	PLAQUE POUR COURROIE DE RUBBER	
3	2	090-CON-318	BELT PLATE	PLAQUE DE COURROIE	
4	2	090-CON-BW	HOSE SUPPORT	SUPPORT DE BOYAU	
6	1	090-CON-CN	INTER LONG SECTION	INTER SECTION LONGUE	
7	1	250355	CANVAS 090-CON-173	TOILE GRISE 090-CON-173	
8	1	250354	CANVAS 090-CON-172	TOILE GRISE 090-CON-172	
9	2	322687	RUBBER BELT	COURROIE DE RUBBER	
10	1	325201	ALLIGATOR JOINT WASHER	RONDELLE DE JOINT ALLIGATOR	
11	4	320168	CONNECTING PIN	PIN DE CONNEXION	
12	1	250008	ALLIGATOR ATTACHE 36"	ATTACHE ALLIGATOR 36"	
13	1	430044	BELT 121.653" x 36.625" CH07-9302	COURROIE 121.653" x 36.625" CH07-9302	
14	32	500706	CBZ M6 X 1.0 X 20 CL8.8	CBZ M6 X 1.0 X 20 CL8.8	
15	36	506050	HEX NUT M6 X 1	ECROU NYLON M6 X 1	

19D - LONG INCLINE BELT CONVOYOR/ CONVOYEUR INCLINÉ LONG À COURROIE



19D - LONG INCLINE BELT CONVOYOR/ CONVOYEUR INCLINÉ LONG À COURROIE



CONVOYOR 6' (1.8M) / CONVOYEUR 6' (1.8M)

ITEM	QT	PART/PIECE	ENGLISH DESCRIPTION	DESCRIPTION FRANCAISE	NOTE
1	2	090-CON-029	CANVAS PLATE	PLAQUE POUR TOILE	
2	2	090-CON-330	RUBBER BELT PLATE	PLAQUE POUR COURROIE DE RUBBER	
3	2	090-CON-331	BELT PLATE	PLAQUE DE COURROIE	
4	2	090-CON-BW	HOSE SUPPORT	SUPPORT DE BOYAU	
5	1	090-CON-CO	INTER SHORT SECTION	INTER SECTION COURTE	
6	1	090-CON-CN	INTER LONG SECTION	INTER SECTION LONGUE	
7	1	250355	CANVAS 090-CON-173	TOILE GRISE 090-CON-173	
8	1	250354	CANVAS 090-CON-172	TOILE GRISE 090-CON-172	
9	2	322693	RUBBER BELT	COURROIE DE RUBBER	
10	1	325201	ALLIGATOR JOINT WASHER	RONDELLE DE JOINT ALLIGATOR	
11	4	320168	CONNECTING PIN	PIN DE CONNEXION	
12	1	250008	ALLIGATOR ATTACHE 36"	ATTACHE ALLIGATOR 36"	
13	1	430045	BELT 140.82" x 36.25"	COURROIE 140.82" x 36.25"	
14	33	500706	CBZ M6 X 1.0 X 20 CL8.8	CBZ M6 X 1.0 X 20 CL8.8	
15	38	506050	HEX NUT M6 X 1	ECROU NYLON M6 X 1	
16	1	090-CON-385	ANGLE SUPPORT	RENFORT À ANGLE	
17	1	090-CON-384	FLAT SUPPORT	RENFORT PLAT	
18	5	500705	CARRIAGE BOLT M10 X 1.50 X 30 CL4.6	BOULON CARROSSERIE M10 X 1.50 X 30 CL4.6	
19	5	502004	FLAT WASHER 3/8 Z	RONDELLE PLATE 3/8 Z	
20	5	506039	NYLON NUT M10 X 1.5	ECROU NYLON M10 X 1.5	

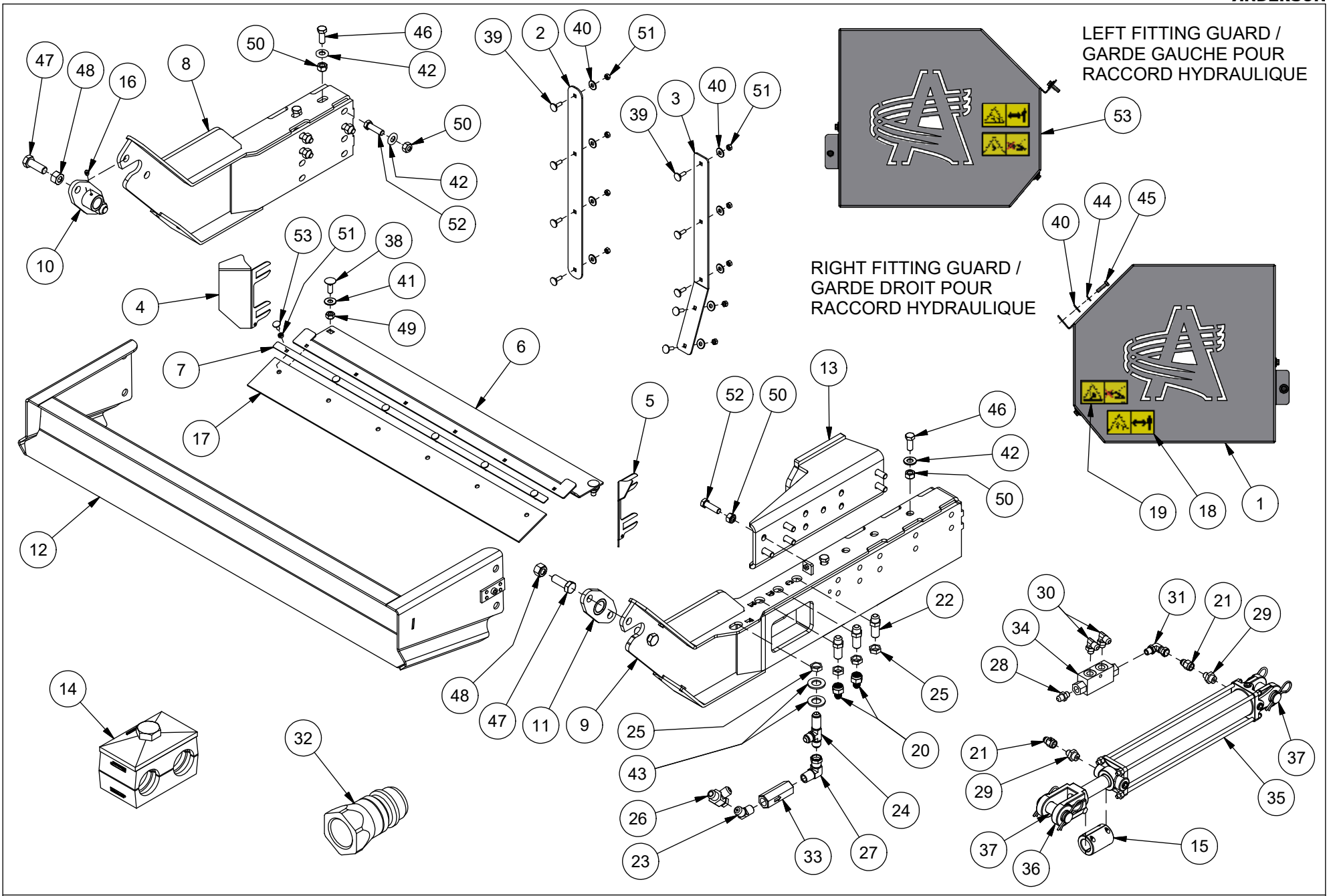
CONVOYOR 7' (2.1M) / CONVOYEUR 7' (2.1M)

ITEM	QT	PART/PIECE	ENGLISH DESCRIPTION	DESCRIPTION FRANCAISE	NOTE
1	2	090-CON-029	CANVAS PLATE	PLAQUE POUR TOILE	
2	2	090-CON-339	RUBBER BELT PLATE	PLAQUE POUR COURROIE DE RUBBER	
3	2	090-CON-338	BELT PLATE	PLAQUE DE COURROIE	
4	2	090-CON-BW	HOSE SUPPORT	SUPPORT DE BOYAU	
6	2	090-CON-CN	INTER LONG SECTION	INTER SECTION LONGUE	
7	1	250355	CANVAS 090-CON-173	TOILE GRISE 090-CON-173	
8	1	250354	CANVAS 090-CON-172	TOILE GRISE 090-CON-172	
9	2	322694	RUBBER BELT	COURROIE DE RUBBER	
10	1	325201	ALLIGATOR JOINT WASHER	RONDELLE DE JOINT ALLIGATOR	
11	4	320168	CONNECTING PIN	PIN DE CONNEXION	
12	1	250008	ALLIGATOR ATTACHE 36"	ATTACHE ALLIGATOR 36"	
13	1	430046	BELT 173.94" x 36.25"	COURROIE 173.94" x 36.25"	
14	38	500706	CBZ M6 X 1.0 X 20 CL8.8	CBZ M6 X 1.0 X 20 CL8.8	
15	44	506050	HEX NUT M6 X 1	ECROU NYLON M6 X 1	
16	1	090-CON-387	ANGLE SUPPORT	RENFORT À ANGLE	
17	1	090-CON-386	FLAT SUPPORT	RENFORT PLAT	
18	5	500705	CARRIAGE BOLT M10 X 1.50 X 30 CL4.6	BOULON CARROSSERIE M10 X 1.50 X 30 CL4.6	
19	3	502004	FLAT WASHER 3/8 Z	RONDELLE PLATE 3/8 Z	
20	5	506039	NYLON NUT M10 X 1.5	ECROU NYLON M10 X 1.5	

CONVOYOR 8' (2.4M) / CONVOYEUR 8' (2.4M)

ITEM	QT	PART/PIECE	ENGLISH DESCRIPTION	DESCRIPTION FRANCAISE	NOTE
1	2	090-CON-029	CANVAS PLATE	PLAQUE POUR TOILE	
2	2	090-CON-342	RUBBER BELT PLATE	PLAQUE POUR COURROIE DE RUBBER	
3	2	090-CON-343	BELT PLATE	PLAQUE DE COURROIE	
4	2	090-CON-BW	HOSE SUPPORT	SUPPORT DE BOYAU	
5	1	090-CON-CO	INTER SHORT SECTION	INTER SECTION COURTE	
6	2	090-CON-CN	INTER LONG SECTION	INTER SECTION LONGUE	
7	1	250355	CANVAS 090-CON-173	TOILE GRISE 090-CON-173	
8	1	250354	CANVAS 090-CON-172	TOILE GRISE 090-CON-172	
9	2	322695	RUBBER BELT	COURROIE DE RUBBER	
10	1	325201	ALLIGATOR JOINT WASHER	RONDELLE DE JOINT ALLIGATOR	
11	4	320168	CONNECTING PIN	PIN DE CONNEXION	
12	1	250008	ALLIGATOR ATTACHE 36"	ATTACHE ALLIGATOR 36"	
13	1	430047	BELT 192.63" x 36.25"	COURROIE 192.63" x 36.25"	
14	43	500706	CBZ M6 X 1.0 X 20 CL8.8	CBZ M6 X 1.0 X 20 CL8.8	
15	49	506050	HEX NUT M6 X 1	ECROU NYLON M6 X 1	
16	1	090-CON-389	ANGLE SUPPORT	RENFORT À ANGLE	
17	1	090-CON-388	FLAT SUPPORT	SUPPORT PLAT	
18	5	500705	CARRIAGE BOLT M10 X 1.50 X 30 CL4.6	BOULON CARROSSERIE M10 X 1.50 X 30 CL4.6	
19	3	502004	FLAT WASHER 3/8 Z	RONDELLE PLATE 3/8 Z	
20	5	506039	NYLON NUT M10 X 1.5	ECROU NYLON M10 X 1.5	

19E - MOUNTING KIT BELT CONVEYOR / KIT DE MONTAGE CONVOYEUR A COURROIE



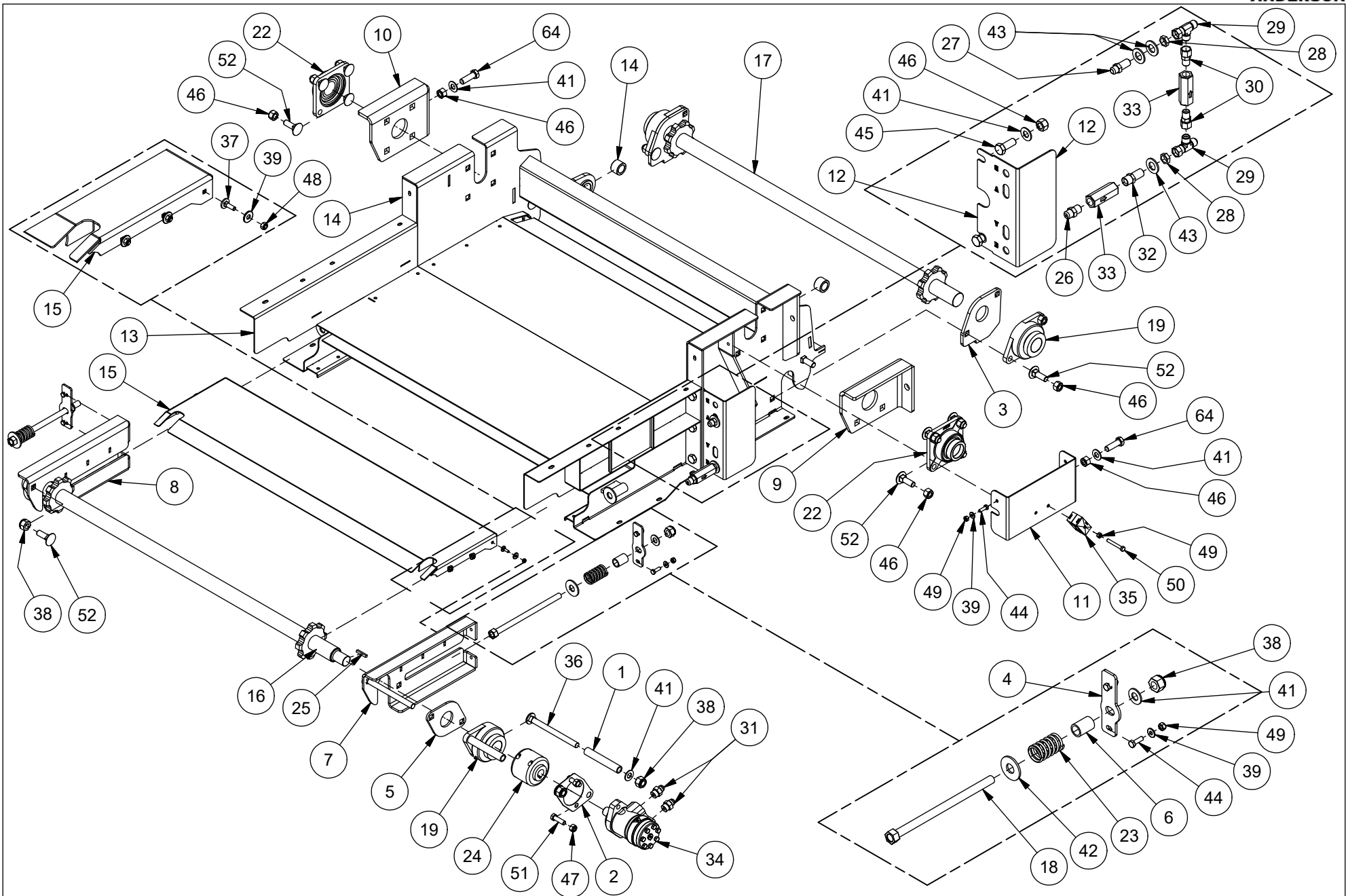
19E - MOUNTING KIT BELT CONVEYOR / KIT DE MONTAGE CONVOYEUR A COURROIE



ITEM	QT	PART/PIECE	ENGLISH DESCRIPTION	DESCRIPTION FRANCAISE	NOTE
1	1	090-CON-127	FITTING GUARD	GARDE DE RACCORD HYDRAULIQUE	
2	1	090-CON-152	SUPPORT FOR CANVAS PLATE	RENFORT POUR PLAQUE	
3	1	090-CON-153	CANVAS PLATE	PLAQUE POUR TOILE	
4	1	090-CON-273	RETENTION PANEL	PANNEAU DE RETENTION	
5	1	090-CON-274	RETENTION PANEL	PANNEAU DE RETENTION	
6	1	090-CON-276	JUNCTION PLATE	PLAQUE DE JONCTION	
7	1	090-CON-277	BELT SUPPORT	SUPPORT DE COURROIE	
8	1	090-CON-BQ	SWIVEL ARM	BRAS POUR PIVOT	
9	1	090-CON-BR	SWIVEL ARM	BRAS POUR PIVOT	
10	1	090-CON-CY	MONTED SLEEVE	COUSSINET DE MONTAGE	
11	1	090-CON-CZ	MONTED SLEEVE	COUSSINET DE MONTAGE	
12	1	090-CON-DG	REINFORCEMENT MOUNTING KIT	RENFORT KIT DE MONTAGE	
13	1	090-CON-EB	CYLINDER SUPPORT	SUPPORT DE CYLINDRE	
14	1	320009-3	PIPE CLAMP	SUPPORT BOYAU	
15	1	322059	SHAFT COUPLING 1 1/8" ALUMINIUM	ACCOUPEMENT A ARBRE 1 1/8" ALUMINIUM	
16	2	322299	GREASE FITTING	GRAISSEUR	
17	1	322692	RETENTION BELT	COURROIE DE RETENTION	
18	1	404077	WARNING LOADING ARM STICKER	DECALQUE ATTENTION BRAS CHARGEMENT	
19	1	404164	CAUTION RISK OF CRUSHING STICKER	DECALQUE ATTENTION RISQUE ECRASEMENT	
20	2	450456	8 F.JIC - 6 M.JIC	8 F.JIC - 6 M.JIC	
21	2	450574	5100-06-06 HOLE 1/32	5100-06-06 ORIFICE 1/32	
22	3	450659	6 M.JIC - 6 M.JIC LONG	6 M.JIC - 6 M.JIC LONG	
23	1	450673	8 M.JIC - 8 M.NPT 45°	8 M.JIC - 8 M.NPT 45°	
24	1	450867	8 M.JIC - 8 M.JIC	8 M.JIC - 8 M.JIC	
25	4	450899	BH NUT 8	BH NUT 8	
26	1	450973	HYDRAULIC FITTING	ADAPTEUR HYDRAULIQUE	
27	1	451026	8 F.JIC - 8 M.NPT 90°	8 F.JIC - 8 M.NPT 90°	
28	1	451171	6 M.JIC- 6M.ORB	6 M.JIC- 6M.ORB	
29	2	451172	6 M JIC - 8 M ORB	6 M JIC - 8 M ORB	
30	2	451260	6 M.JIC - 6 M.ORB 90°	6 M.JIC - 6 M.ORB 90°	
31	1	451409	6 M.ORB - 6 F.JIC 90°	6 M.ORB - 6 F.JIC 90°	
32	2	452000	1/2 QUICK COUPLER NPTM	RACCORD RAPIDE 1/2 NPTM	
33	1	465879	CHECK VALVE	VALVE ANTI-RETOUR	
34	1	466989	HYDRAULIC VALVE	VALVE HYDRAULIQUE	
35	1	467206	CYLINDER HTR 2012	CYLINDRE HTR 2012	SEAL KIT 467860
36	1	467521	CLEVIS FOR CYLINDER	CLEVIS POUR VÉRIN	
37	1	320145	CYLINDER PIN 1"	GOUPILLE DE CYLINDRE 1"	
38	2	500705	CARRIAGE BOLT M10 X 1.50 X 30 CL4.6	BOULON CARROSSERIE M10 X 1.50 X 30 CL4.6	
39	9	500706	CBZ M6 X 1.0 X 20 CL8.8	CBZ M6 X 1.0 X 20 CL8.8	
40	13	502002	FLAT WASHER 1/4 Z	RONDELLE PLATE 1/4 Z	
41	2	502004	FLAT WASHER 3/8 Z	RONDELLE PLATE 3/8 Z	
42	8	502006	FLAT WASHER 1/2 Z-SAE	RONDELLE PLATE 1/2 Z-SAE	
43	2	502017	FLAT WASHER SAE 3-4 ZINC	RONDELLE PLATE SAE 3-4 ZINC	
44	4	502064	LOCK WASHER 1/4	RONDELLE DE BLOCAGE 1/4	
45	4	506003	HEX. BOLT M6 X 1 X 25mm CL8.8	BOULON HEX. M6 X 1 X 25mm CL8.8	
46	4	506008-2	HEX. BOLT M12 X 1.75 X 30mm CL8.8	BOULON HEX. M12 X 1.75 X 30mm CL8.8	
47	4	506020	HEX. BOLT M16 X 2 X 45mm CL8.8	BOULON HEX. M16 X 2 X 45mm CL8.8	
48	4	506037	NYLON NUT M16 X 2	ECROU NYLON M16 X 2	
49	2	506039	NYLON NUT M10 X 1.5	ECROU NYLON M10 X 1.5	
50	14	506040	NYLON NUT M12 X 1.75	ECROU NYLON M12 X 1.75	
51	15	506050	HEX NUT M6 X 1	ECROU NYLON M6 X 1	
52	10	506129	HEX. BOLT M12 X 1.75 X 40mm CL8.8	BOULON HEX. M12 X 1.75 X 40mm CL8.8	
53	6	506157	CARRIAGE BOLT M6 X 1.0 X 16 CL8.8	BOULON CARROSSERIE M6 X 1.0 X 16 CL8.8	
53	1	090-CON-313	FITTING GUARD	GARDE DE RACCORD HYDRAULIQUE	

20A - COMMUN FD CHAIN CONVEYOR / CONVOYEUR A CHAINE FD COMMUN

STANDARD REPRESENTATION (LEFT MONTING IS POSSIBLE) / REPRÉSENTATION STANDARD (MONTAGE GAUCHE POSSIBLE)



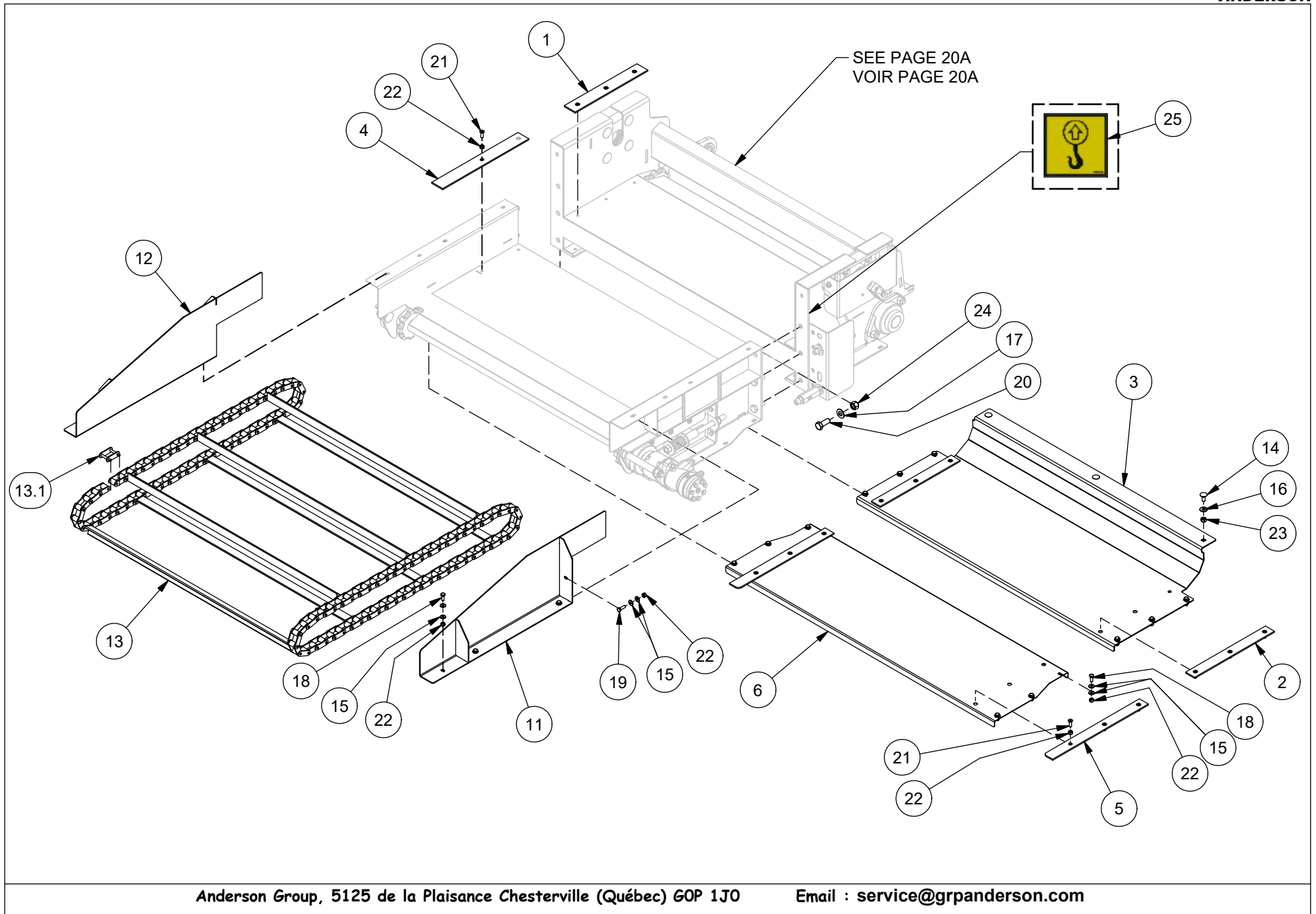
20A - COMMUN FD CHAIN CONVEYOR / CONVOYEUR A CHAINE FD COMMUN

STANDARD REPRESENTATION (LEFT MONTING IS POSSIBLE) / REPRÉSENTATION STANDARD (MONTAGE GAUCHE POSSIBLE)



ITEM	QT	PART/PIECE	ENGLISH DESCRIPTION	DESCRIPTION FRANCAISE	NOTE
1	2	090-CON-180	HYDRAULIC MOTOR LONG SPACER	ESPACEUR LONG DE MOTEUR HYDRAULIQUE	
2	1	090-CON-393	HYDRAULIC MOTOR SUPPORT	SUPPORT DE MOTEUR HYDRAULIQUE	
3	2	097-CON-074	CHAIN CONVEYOR FOOT BEARING SPACER	ESPACEUR DE ROULEMENT PIED DE CONVOYEUR À CHAÎNE	
4	2	097-CON-111	RETAINING PLATE FOR ADJUSTMENT SCREWS	PAQUE DE RETENUE POUR VIS D'AJUSTEMENT	
5	2	097-CON-114	CHAIN CONVEYOR HEAD BEARING SPACER	ESPACEUR DE ROULEMENT TÊTE DE CONVOYEUR À CHAÎNE	
6	2	097-CON-150	ADJUSTMENT SCREW STOP	BUTÉ DE VIS D'AJUSTEMENT	
7	1	097-CON-158	LEFT AUTOMATIC TENSIONER CHAIN CONVEYOR	TENDEUR AUTOMATIQUE GAUCHE CONVOYEUR À CHAÎNE	
8	1	097-CON-158M	RIGHT AUTOMATIC TENSIONER CHAIN CONVEYOR	TENDEUR AUTOMATIQUE DROIT CONVOYEUR À CHAÎNE	
9	1	097-CON-347	LEFT PIVOT SUPPORT CHAIN CONVEYOR FD	SUPPORT PIVOT GAUCHE CONVOYEUR À CHAÎNE FD	
10	1	097-CON-347M	RIGHT PIVOT SUPPORT CHAIN CONVEYOR FD	SUPPORT PIVOT DROIT CONVOYEUR À CHAÎNE FD	
11	1	097-CON-351	HOSE GUARD CHAIN CONVEYOR FD	PROTECTEUR DE TUYAUX CONVOYEUR À CHAÎNE FD	
12	1	097-CON-375	FITTING SUPPORT CHAIN CONVEYOR FD	SUPPORT DE RACCORD CONVOYEUR À CHAÎNE FD	
13	1	097-CON-BO	CONVEYOR HEAD FRAME	CADRE DE CONVOYEUR DE TÊTE	
14	1	097-CON-BT	CONVEYOR FOOT FRAME FD	CADRE PIED DE CONVOYEUR FD	
15	1	097-CON-BV	TOP AUTOMATIC TENSIONER CHAIN CONVEYOR	TENDEUR AUTOMATIQUE DESSUS CONVOYEUR À CHAÎNE	
16	1	097-CON-CA	SPROCKET SHAFT FOR INCLINED CONVEYOR HEAD	ARBRE À PIGNON POUR TÊTE DE CONVOYEUR INCLINÉ	
17	1	097-CON-DC	SPROCKET SHAFT FOR INCLINED CONVEYOR FOOT	ARBRE À PIGNON POUR PIED DE CONVOYEUR INCLINÉ	
18	2	097-CON-DR	SCREW AUTOMATIC TENSIONER CHAIN CONVEYOR	TENDEUR AUTOMATIQUE VIS CONVOYEUR À CHAÎNE	
19	4	303048	BEARING HCFT209-28	ROULEMENT HCFT209-28	
22	2	303161	FLANGE BEARING 1 3/4	ROULEMENT A PALIER 1 3/4	
23	2	304085	COMPRESSION SPRING 1.46 X 1.086 X 2.50	RESSORT COMPRESSION 1.46 X 1.086 X 2.50	
24	1	322062	CHAIN COUPLING	ACCOUPLLEMENT À CHAÎNE	
25	1	325141-1	KEY 1/4 X 1/4 X 1 1/2	CLE 1/4 X 1/4 X 1 1/2	
26	1	450548	8 M JIC - 8 M NPT	8 M JIC - 8 M NPT	
27	1	450659	6 M.JIC - 6 M.JIC LONG	6 M.JIC - 6 M.JIC LONG	
28	2	450899	BH NUT 8	BH NUT 8	
29	2	450973	T 8 F.JIC - 8 M.JIC	T 8 F.JIC - 8 M.JIC	
30	2	450996	8 F.JIC - 8 M.NPT	8 F.JIC - 8 M.NPT	
31	2	451179	8 M JIC - 10 M ORB	8 M JIC - 10 M ORB	
32	1	451457	8 M.JIC - 8 M.NPT	8 M.JIC - 8 M.NPT	
33	2	465879	CHECK VALVE	VALVE ANTI-RETOUR	
34	1	469173	HYD. MOTOR MLHP100CN4UPE+KPDR145/AP/3	MOTEUR HYD. MLHP100CN4UPE+KPDR145/AP/3	
35	1	470051	DOUBLE HOSE HOLDER 21.3mm (0.84")	SUPPORT BOYAU DOUBLE 21.3mm (0.84")	
36	2	500556	CARRIAGE BOLT	BOULON DE CARROSSERIE	
37	6	500706	CBZ M6 X 1.0 X 20 CL8.8	CBZ M6 X 1.0 X 20 CL8.8	
38	6	501035	HEX NYLON LOCKNUT GR5 5/8-11 Z	ÉCROU NYLON IND HEX GR5 5/8-11 Z	
39	11	502002	FLAT WASHER 1/4 Z	RONDELLE PLATE 1/4 Z	
41	7	502008-1	FLAT WASHER 5/8 Z-SAE	RONDELLE PLATE 5/8 Z-SAE	
42	2	502009	FLAT WASHER 3/4 Z	RONDELLE PLATE 3/4 Z	
43	3	502017	FLAT WASHER SAE 3-4 ZINC	RONDELLE PLATE SAE 3-4 ZINC	
44	5	506001	HEX. BOLT M8 X 1.25 X 25mm CL8.8	BOULON HEX. M8 X 1.25 X 25mm CL8.8	
45	2	506012	HEX. BOLT M16 X 2 X 40mm CL8.8	BOULON HEX. M16 X 2 X 40mm CL8.8	
46	16	506037	NYLON NUT M16 X 2	ECROU NYLON M16 X 2	
47	2	506040	NYLON NUT M12 X 1.75	ECROU NYLON M12 X 1.75	
48	6	506050	HEX NUT M6 X 1	ECROU NYLON M6 X 1	
49	6	506051	NYLON NUT M8 X 1.25	ECROU NYLON M8 X 1.25	
50	1	506088	HEX. BOLT M8 X 1.25 X 60mm CL8.8	BOULON HEX. M8 X 1.25 X 60mm CL8.8	
51	2	506129	HEX. BOLT M12 X 1.75 X 40mm CL8.8	BOULON HEX. M12 X 1.75 X 40mm CL8.8	
52	12	506154	CARRIAGE BOLT M16 X 2 X 50 CL8.8	CBZ M16 - 2.00 X 50MM CL8.8	
64	2	506076	HEX. BOLT M16 X 2 X 50mm CL8.8	BOULON HEX. M16 X 2 X 50mm CL8.8	

20B - INCLINED FD CHAIN CONVEYOR (0.9M) / CONVOYEUR À CHAÎNE INCLINÉ FD (0.9M)



20B - INCLINED FD CHAIN CONVEYOR (0.9M) / CONVOYEUR À CHAÎNE INCLINÉ FD (0.9M)

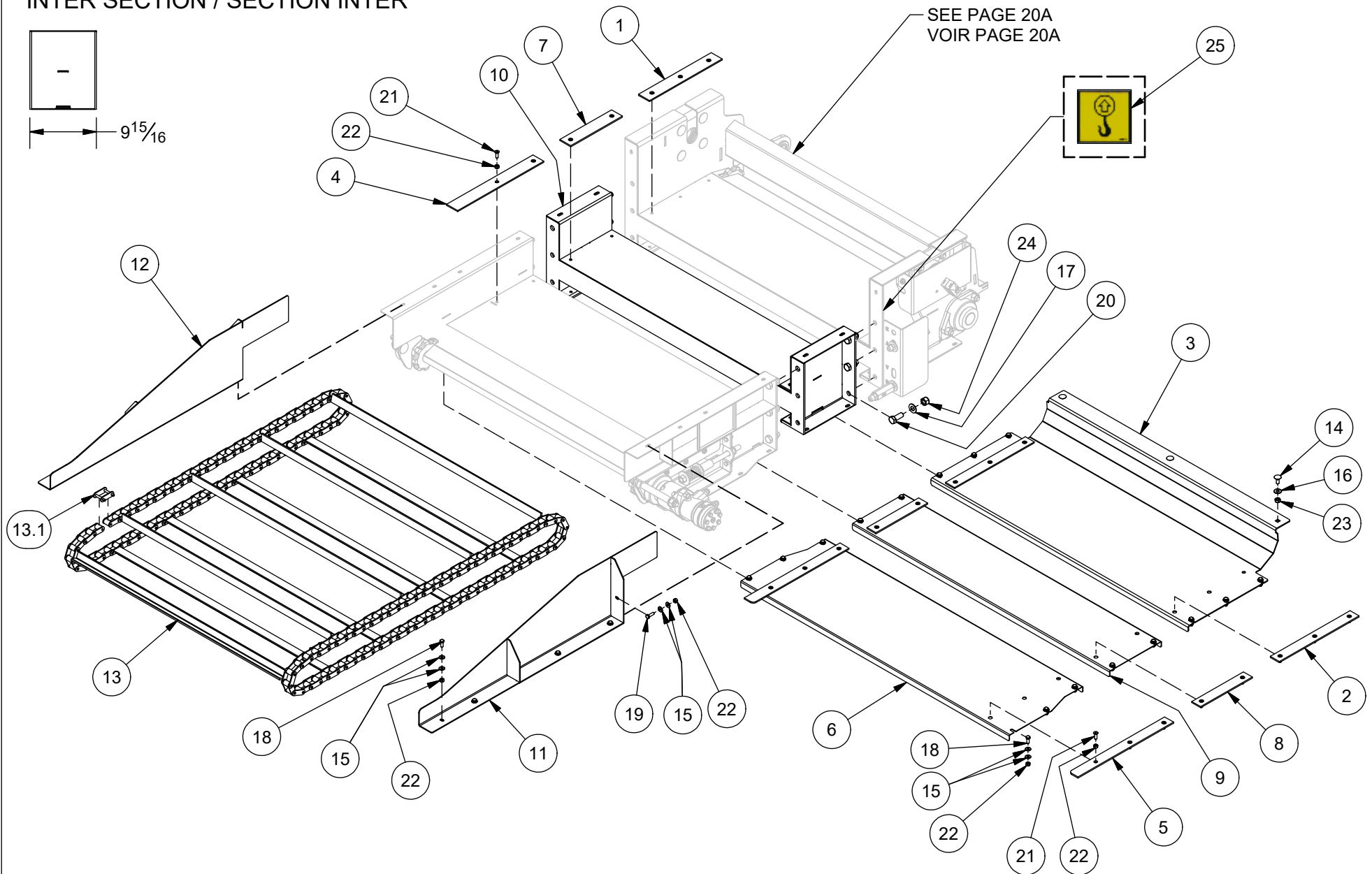


ITEM	QT	PART/PIECE	ENGLISH DESCRIPTION	DESCRIPTION FRANCAISE	NOTE
1	2	097-CON-130	BLACK UHMW ABOVE CHAIN CONVEYOR FOOT	UHMW NOIR DESSUS LE PIED DU CONVOYEUR À CHAÎNE	3/16" X 2 1/8" X 13 3/4"
2	2	097-CON-120	BLACK UHMW UNDER CHAIN CONVEYOR FOOT	UHMW NOIR SOUS LE PIED DU CONVOYEUR À CHAÎNE	3/16" X 1 3/4" X 15 1/8"
3	1	097-CON-168	GUARD UNDER CHAIN CONVEYOR FOOT	GARDE SOUS LE PIED DU CONVOYEUR À CHAÎNE	
4	2	097-CON-349	BLACK UHMW ABOVE CHAIN CONVEYOR HEAD	UHMW NOIR DESSUS LA TÊTE DU CONVOYEUR À CHAÎNE	3/16" X 2 1/8" X 16 3/8"
5	2	097-CON-123	BLACK UHMW UNDER CHAIN CONVEYOR HEAD	UHMW NOIR SOUS LA TÊTE DU CONVOYEUR À CHAÎNE	3/16" X 1 3/4" X 18 1/8"
6	1	097-CON-172	GUARD UNDER CHAIN CONVEYOR HEAD	GARDE SOUS LE TÊTE DU CONVOYEUR À CHAÎNE	
11	1	097-CON-GB	LEFT CONVEYOR CAPACITY EXTENSION 0.9M	REHAUSSE DE CONVOYEUR GAUCHE 0.9M	
12	1	097-CON-GC	RIGHT CONVEYOR CAPACITY EXTENSION 0.9M	REHAUSSE DE CONVOYEUR DROIT 0.9M	
13	1	302589	CONV. CHAIN 54 LINK CA620 F.ANGLE	CHAÎNE CONV. 54 MAILLE CA620 F.ANGLE	
13.1	2	302583	CA620 CONNECTING LINK	MAILLE PATENTE CA620 CONNECT LINK	
14	3	500700	CARRIAGE BOLT M10 X 1.50 X 25 CL4.6	BOULON CARROSSERIE M10 X 1.50 X 25 CL4.6	
15	53	502002	FLAT WASHER 1/4 Z	RONDELLE PLATE 1/4 Z	
16	3	502004	FLAT WASHER 3/8 Z	RONDELLE PLATE 3/8 Z	
17	9	502008-1	FLAT WASHER 5/8 Z-SAE	RONDELLE PLATE 5/8 Z-SAE	
18	12	506000	HEX. BOLT M8 X 1.25 X 20mm CL8.8	BOULON HEX. M8 X 1.25 X 20mm CL8.8	
19	14	506001	HEX. BOLT M8 X 1.25 X 25mm CL8.8	BOULON HEX. M8 X 1.25 X 25mm CL8.8	
20	6	506012	HEX. BOLT M16 X 2 X 40mm CL8.8	BOULON HEX. M16 X 2 X 40mm CL8.8	
21	22	507052-1	HEX FLAT SOCKET HEAD BOLT M8 X 1,25 - 25	BOULON TÊTE CREUSE PLATE HEX M8 X 1,25 - 25	
22	49	506051	NYLON NUT M8 X 1.25	ECROU NYLON M8 X 1.25	
23	3	506039	NYLON NUT M10 X 1.5	ECROU NYLON M10 X 1.5	
24	20	506037	NYLON NUT M16 X 2	ECROU NYLON M16 X 2	
25	2	404063	HANG HERE STICKER	DÉCALQUE ACCROCHEZ ICI	

20C - INCLINED FD CHAIN CONVEYOR (1.2M) / CONVOYEUR À CHAÎNE INCLINÉ FD (1.2M)



INTER SECTION / SECTION INTER



20C - INCLINED FD CHAIN CONVEYOR (1.2M) / CONVOYEUR À CHAÎNE INCLINÉ FD (1.2M)

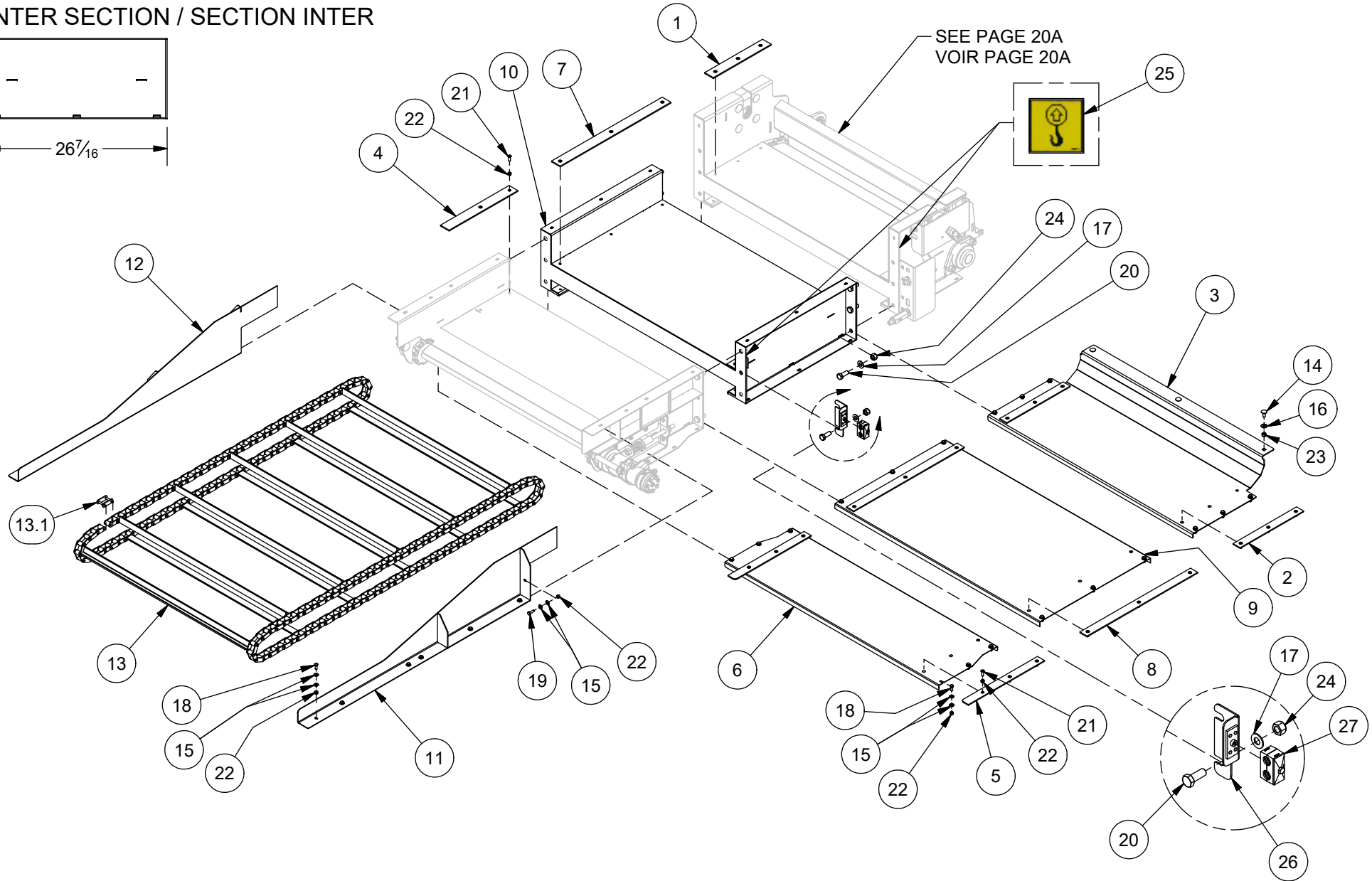
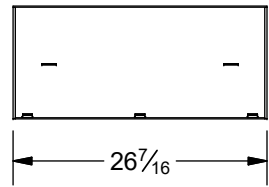


ITEM	QT	PART/PIECE	ENGLISH DESCRIPTION	DESCRIPTION FRANCAISE	NOTE
1	2	097-CON-130	BLACK UHMW ABOVE CHAIN CONVEYOR FOOT	UHMW NOIR DESSUS LE PIED DU CONVOYEUR À CHAÎNE	3/16" X 2 1/8" X 13 3/4"
2	2	097-CON-120	BLACK UHMW UNDER CHAIN CONVEYOR FOOT	UHMW NOIR SOUS LE PIED DU CONVOYEUR À CHAÎNE	3/16" X 1 3/4" X 15 1/8"
3	1	097-CON-168	GUARD UNDER CHAIN CONVEYOR FOOT	GARDE SOUS LE PIED DU CONVOYEUR À CHAÎNE	
4	2	097-CON-349	BLACK UHMW ABOVE CHAIN CONVEYOR HEAD	UHMW NOIR DESSUS LA TÊTE DU CONVOYEUR À CHAÎNE	3/16" X 2 1/8" X 16 3/8"
5	2	097-CON-123	BLACK UHMW UNDER CHAIN CONVEYOR HEAD	UHMW NOIR SOUS LA TÊTE DU CONVOYEUR À CHAÎNE	3/16" X 1 3/4" X 18 1/8"
6	1	097-CON-172	GUARD UNDER CHAIN CONVEYOR HEAD	GARDE SOUS LE TÊTE DU CONVOYEUR À CHAÎNE	
7	2	097-CON-265	BLACK UHMW ABOVE CHAIN CONVEYOR INTER 1.2M	UHMW NOIR DESSUS DU CONVOYEUR À CHAÎNE INTER 1.2M	3/16" X 2 1/8" X 9 3/4"
8	2	097-CON-266	BLACK UHMW UNDER CHAIN CONVEYOR INTER 1.2M	UHMW NOIR SOUS LE CONVOYEUR À CHAÎNE INTER 1.2M	3/16" X 1 3/4" X 9 3/4"
9	1	097-CON-267	GUARD UNDER CHAIN CONVEYOR INTER 1.2M	GARDE SOUS LE CONVOYEUR À CHAÎNE INTER 1.2M	
10	1	097-CON-CJ	INTER 1.2M CONVEYOR FRAME	CADRE DE CONVOYEUR INTER 1.2M	
11	1	097-CON-FV	LEFT CONVEYOR CAPACITY EXTENSION 1.2M	REHAUSSE DE CONVOYEUR GAUCHE 1.2M	
12	1	097-CON-FW	RIGHT CONVEYOR CAPACITY EXTENSION 1.2M	REHAUSSE DE CONVOYEUR DROIT 1.2M	
13	1	302588	CONV. CHAIN 66 LINK CA620 F.ANGLE	CHAIN CONV. 66 MAILLE CA620 F.ANGLE	
13.1	2	302583	CA620 CONNECTING LINK	MAILLE PATENTE CA620 CONNECT LINK	
14	3	500700	CARRIAGE BOLT M10 X 1.50 X 25 CL4.6	BOULON CAROSSERIE M10 X 1.50 X 25 CL4.6	
15	63	502002	FLAT WASHER 1/4 Z	RONDELLE PLATE 1/4 Z	
16	3	502004	FLAT WASHER 3/8 Z	RONDELLE PLATE 3/8 Z	
17	11	502008-1	FLAT WASHER 5/8 Z-SAE	RONDELLE PLATE 5/8 Z-SAE	
18	18	506000	HEX. BOLT M8 X 1.25 X 20mm CL8.8	BOULON HEX. M8 X 1.25 X 20mm CL8.8	
19	13	506001	HEX. BOLT M8 X 1.25 X 25mm CL8.8	BOULON HEX. M8 X 1.25 X 25mm CL8.8	
20	12	506012	HEX. BOLT M16 X 2 X 40mm CL8.8	BOULON HEX. M16 X 2 X 40mm CL8.8	
21	30	507052-1	HEX FLAT SOCKET HEAD BOLT M8 X 1,25 - 25	BOULON TÊTE CREUSE PLATE HEX M8 X 1,25 - 25	
22	62	506051	NYLON NUT M8 X 1.25	ECROU NYLON M8 X 1.25	
23	3	506039	NYLON NUT M10 X 1.5	ECROU NYLON M10 X 1.5	
24	26	506037	NYLON NUT M16 X 2	ECROU NYLON M16 X 2	
25	2	404063	HANG HERE STICKER	DÉCALQUE ACCROCHEZ ICI	

20D - INCLINED FD CHAIN CONVEYOR (1.5M) / CONVOYEUR À CHAÎNE INCLINÉ FD (1.5M)



INTER SECTION / SECTION INTER



20D - INCLINED FD CHAIN CONVEYOR (1.5M) / CONVOYEUR À CHAÎNE INCLINÉ FD (1.5M)

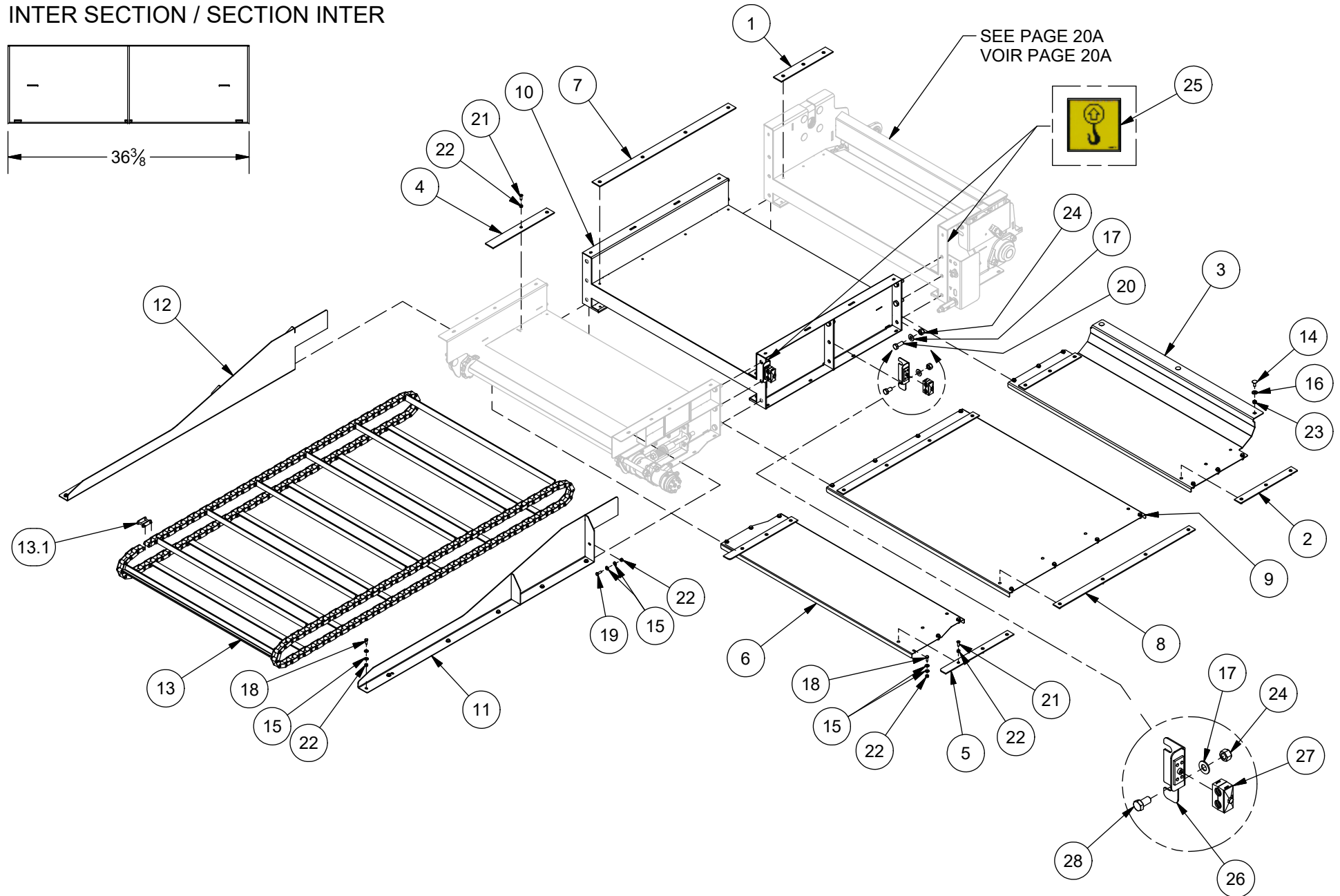
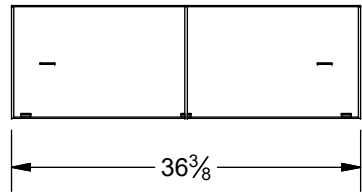


ITEM	QT	PART/PIECE	ENGLISH DESCRIPTION	DESCRIPTION FRANCAISE	NOTE
1	2	097-CON-130	BLACK UHMW ABOVE CHAIN CONVEYOR FOOT	UHMW NOIR DESSUS LE PIED DU CONVOYEUR À CHAÎNE	3/16" X 2 1/8" X 13 3/4"
2	2	097-CON-120	BLACK UHMW UNDER CHAIN CONVEYOR FOOT	UHMW NOIR SOUS LE PIED DU CONVOYEUR À CHAÎNE	3/16" X 1 3/4" X 15 1/8"
3	1	097-CON-168	GUARD UNDER CHAIN CONVEYOR FOOT	GARDE SOUS LE PIED DU CONVOYEUR À CHAÎNE	
4	2	097-CON-349	BLACK UHMW ABOVE CHAIN CONVEYOR HEAD	UHMW NOIR DESSUS LA TÊTE DU CONVOYEUR À CHAÎNE	3/16" X 2 1/8" X 16 3/8"
5	2	097-CON-123	BLACK UHMW UNDER CHAIN CONVEYOR HEAD	UHMW NOIR SOUS LA TÊTE DU CONVOYEUR À CHAÎNE	3/16" X 1 3/4" X 18 1/8"
6	1	097-CON-172	GUARD UNDER CHAIN CONVEYOR HEAD	GARDE SOUS LE TÊTE DU CONVOYEUR À CHAÎNE	
7	2	097-CON-250	BLACK UHMW ABOVE CHAIN CONVEYOR INTER 1.5M	UHMW NOIR DESSUS DU CONVOYEUR À CHAÎNE INTER 1.5M	3/16" X 2 1/8" X 26 1/4"
8	2	097-CON-251	BLACK UHMW UNDER CHAIN CONVEYOR INTER 1.5M	UHMW NOIR SOUS LE CONVOYEUR À CHAÎNE INTER 1.5M	3/16" X 1 3/4" X 26 1/4"
9	1	097-CON-252	GUARD UNDER CHAIN CONVEYOR INTER 1.5M	GARDE SOUS LE CONVOYEUR À CHAÎNE INTER 1.5M	
10	1	097-CON-CH	INTER 1.5M CONVEYOR FRAME	CADRE DE CONVOYEUR INTER 1.5M	
11	1	097-CON-FM	LEFT CONVEYOR CAPACITY EXTENSION	REHAUSSE DE CONVOYEUR GAUCHE	
12	1	097-CON-FN	LEFT CONVEYOR CAPACITY EXTENSION	REHAUSSE DE CONVOYEUR DROIT	
13	1	302587	CONV. CHAIN 86 LINK CA620 F.ANGLE	CHAÎNE CONV. 86 MAILLE CA620 F.ANGLE	
13.1	2	302583	CA620 CONNECTING LINK	MAILLE PATENTE CA620 CONNECT LINK	
14	3	500700	CARRIAGE BOLT M10 X 1.50 X 25 CL4.6	BOULON CAROSSERIE M10 X 1.50 X 25 CL4.6	
15	75	502002	FLAT WASHER 1/4 Z	RONDELLE PLATE 1/4 Z	
16	3	502004	FLAT WASHER 3/8 Z	RONDELLE PLATE 3/8 Z	
17	11	502008-1	FLAT WASHER 5/8 Z-SAE	RONDELLE PLATE 5/8 Z-SAE	
18	24	506000	HEX. BOLT M8 X 1.25 X 20mm CL8.8	BOULON HEX. M8 X 1.25 X 20mm CL8.8	
19	13	506001	HEX. BOLT M8 X 1.25 X 25mm CL8.8	BOULON HEX. M8 X 1.25 X 25mm CL8.8	
20	12	506012	HEX. BOLT M16 X 2 X 40mm CL8.8	BOULON HEX. M16 X 2 X 40mm CL8.8	
21	34	507052-1	HEX FLAT SOCKET HEAD BOLT M8 X 1,25 - 25	BOULON TÊTE CREUSE PLATE HEX M8 X 1,25 - 25	
22	72	506051	NYLON NUT M8 X 1.25	ECROU NYLON M8 X 1.25	
23	3	506039	NYLON NUT M10 X 1.5	ECROU NYLON M10 X 1.5	
24	26	506037	NYLON NUT M16 X 2	ECROU NYLON M16 X 2	
25	4	404063	HANG HERE STICKER	DÉCALQUE ACCROCHEZ ICI	
26	1	097-CON-DW	HOSE HOLDER BRACKET	SUPPORT DE BOYAU	
27	2	470051	DOUBLE HOSE HOLDER 21.3mm (0.84")	SUPPORT BOYAU DOUBLE 21.3mm (0.84")	

20E - INCLINED FD CHAIN CONVEYOR (1.8M) / CONVOYEUR À CHAÎNE INCLINÉ FD (1.8M)



INTER SECTION / SECTION INTER



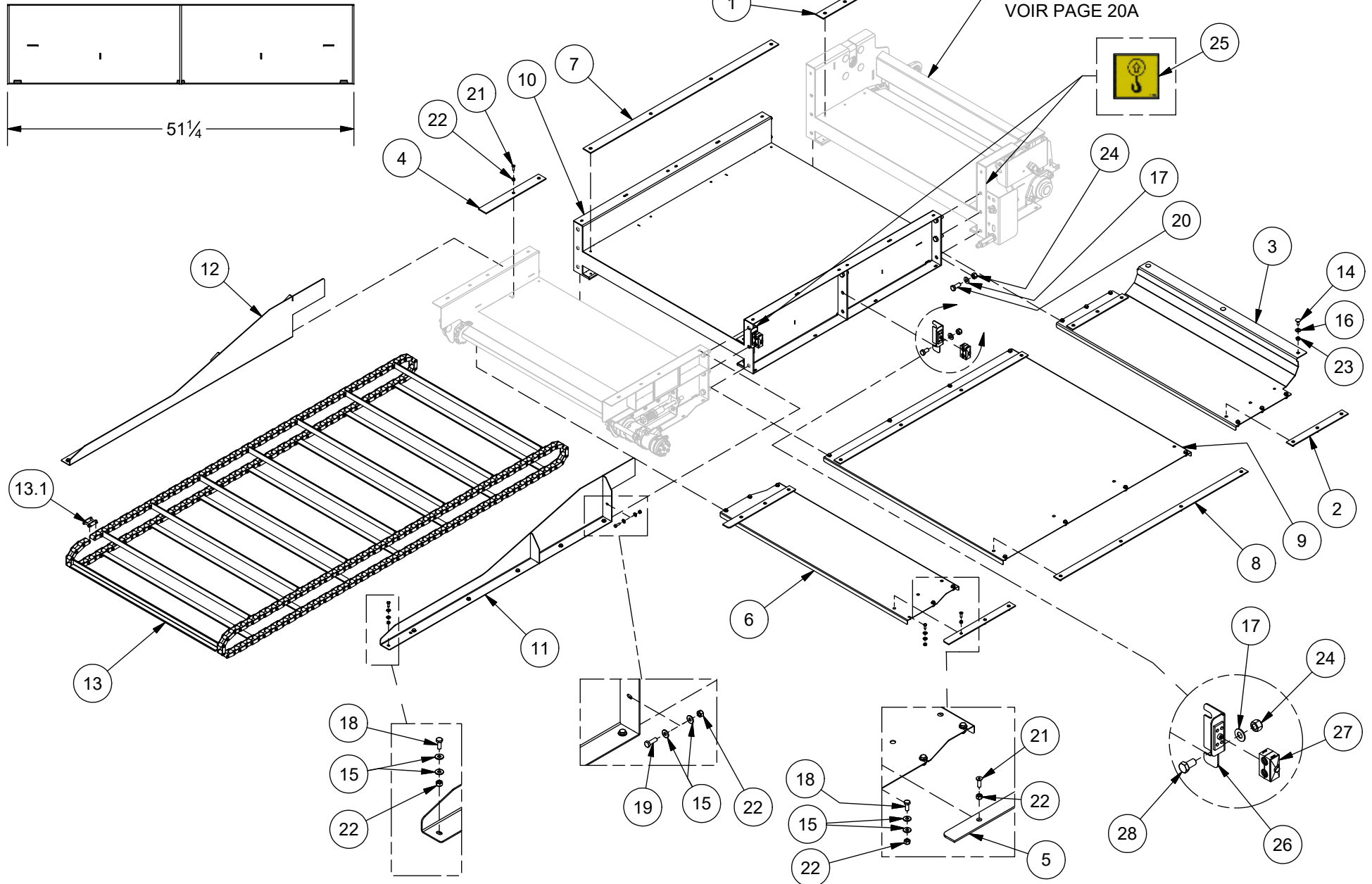
20E - INCLINED FD CHAIN CONVEYOR (1.8M) / CONVOYEUR À CHAÎNE INCLINÉ FD (1.8M)



ITEM	QT	PART/PIECE	ENGLISH DESCRIPTION	DESCRIPTION FRANCAISE	NOTE
1	2	097-CON-130	BLACK UHMW ABOVE CHAIN CONVEYOR FOOT	UHMW NOIR DESSUS LE PIED DU CONVOYEUR À CHAÎNE	3/16" X 2 1/8" X 13 3/4"
2	2	097-CON-120	BLACK UHMW UNDER CHAIN CONVEYOR FOOT	UHMW NOIR SOUS LE PIED DU CONVOYEUR À CHAÎNE	3/16" X 1 3/4" X 15 1/8"
3	1	097-CON-168	GUARD UNDER CHAIN CONVEYOR FOOT	GARDE SOUS LE PIED DU CONVOYEUR À CHAÎNE	
4	2	097-CON-349	BLACK UHMW ABOVE CHAIN CONVEYOR HEAD	UHMW NOIR DESSUS LA TÊTE DU CONVOYEUR À CHAÎNE	3/16" X 2 1/8" X 16 3/8"
5	2	097-CON-123	BLACK UHMW UNDER CHAIN CONVEYOR HEAD	UHMW NOIR SOUS LA TÊTE DU CONVOYEUR À CHAÎNE	3/16" X 1 3/4" X 18 1/8"
6	1	097-CON-172	GUARD UNDER CHAIN CONVEYOR HEAD	GARDE SOUS LE TÊTE DU CONVOYEUR À CHAÎNE	
7	2	097-CON-235	BLACK UHMW ABOVE CHAIN CONVEYOR INTER 1.8M	UHMW NOIR DESSUS DU CONVOYEUR À CHAÎNE INTER 1.8M	3/16" X 2 1/8" X 36 1/4"
8	2	097-CON-236	BLACK UHMW UNDER CHAIN CONVEYOR INTER 1.8M	UHMW NOIR SOUS LE CONVOYEUR À CHAÎNE INTER 1.8M	3/16" X 1 3/4" X 36 1/4"
9	1	097-CON-237	GUARD UNDER CHAIN CONVEYOR INTER 1.8M	GARDE SOUS LE CONVOYEUR À CHAÎNE INTER 1.8M	
10	1	097-CON-CF	INTER 1.8M CONVEYOR FRAME	CADRE DE CONVOYEUR INTER 1.8M	
11	1	097-CON-DZ	LEFT CONVEYOR CAPACITY EXTENSION 1.8M TO 2.4M	REHAUSSE DE CONVOYEUR GAUCHE 1.8M À 2.4M	
12	1	097-CON-EA	RIGHT CONVEYOR CAPACITY EXTENSION 1.8M TO 2.4M	REHAUSSE DE CONVOYEUR DROIT 1.8M À 2.4M	
13	1	302586	CONV. CHAIN 98 LINK CA620 F.ANGLE	CHAIN CONV. 98 MAILLE CA620 F.ANGLE	
13.1	2	302583	CA620 CONNECTING LINK	MAILLE PATENTE CA620 CONNECT LINK	
14	3	500700	CARRIAGE BOLT M10 X 1.50 X 25 CL4.6	BOULON CAROSSERIE M10 X 1.50 X 25 CL4.6	
15	79	502002	FLAT WASHER 1/4 Z	RONDELLE PLATE 1/4 Z	
16	3	502004	FLAT WASHER 3/8 Z	RONDELLE PLATE 3/8 Z	
17	13	502008-1	FLAT WASHER 5/8 Z-SAE	RONDELLE PLATE 5/8 Z-SAE	
18	26	506000	HEX. BOLT M8 X 1.25 X 20mm CL8.8	BOULON HEX. M8 X 1.25 X 20mm CL8.8	
19	13	506001	HEX. BOLT M8 X 1.25 X 25mm CL8.8	BOULON HEX. M8 X 1.25 X 25mm CL8.8	
20	12	506012	HEX. BOLT M16 X 2 X 40mm CL8.8	BOULON HEX. M16 X 2 X 40mm CL8.8	
21	38	507052-1	HEX FLAT SOCKET HEAD BOLT M8 X 1,25 - 25	BOULON TÊTE CREUSE PLATE HEX M8 X 1,25 - 25	
22	78	506051	NYLON NUT M8 X 1.25	ECROU NYLON M8 X 1.25	
23	3	506039	NYLON NUT M10 X 1.5	ECROU NYLON M10 X 1.5	
24	28	506037	NYLON NUT M16 X 2	ECROU NYLON M16 X 2	
25	4	404063	HANG HERE STICKER	DÉCALQUE ACCROCHEZ ICI	
26	2	097-CON-DW	HOSE HOLDER BRACKET	SUPPORT DE BOYAU	
27	3	470051	DOUBLE HOSE HOLDER 21.3mm (0.84")	SUPPORT BOYAU DOUBLE 21.3mm (0.84")	
28	2	506012-1	HBZ M16 - 2.00 X 30MM CL 8.8	HBZ M16 - 2.00 X 30MM CL 8.8	

20F - INCLINED FD CHAIN CONVEYOR (2.1M) / CONVOYEUR À CHAÎNE INCLINÉ FD (2.1M)

INTER SECTION / SECTION INTER



20F - INCLINED FD CHAIN CONVEYOR (2.1M) / CONVOYEUR À CHAÎNE INCLINÉ FD (2.1M)

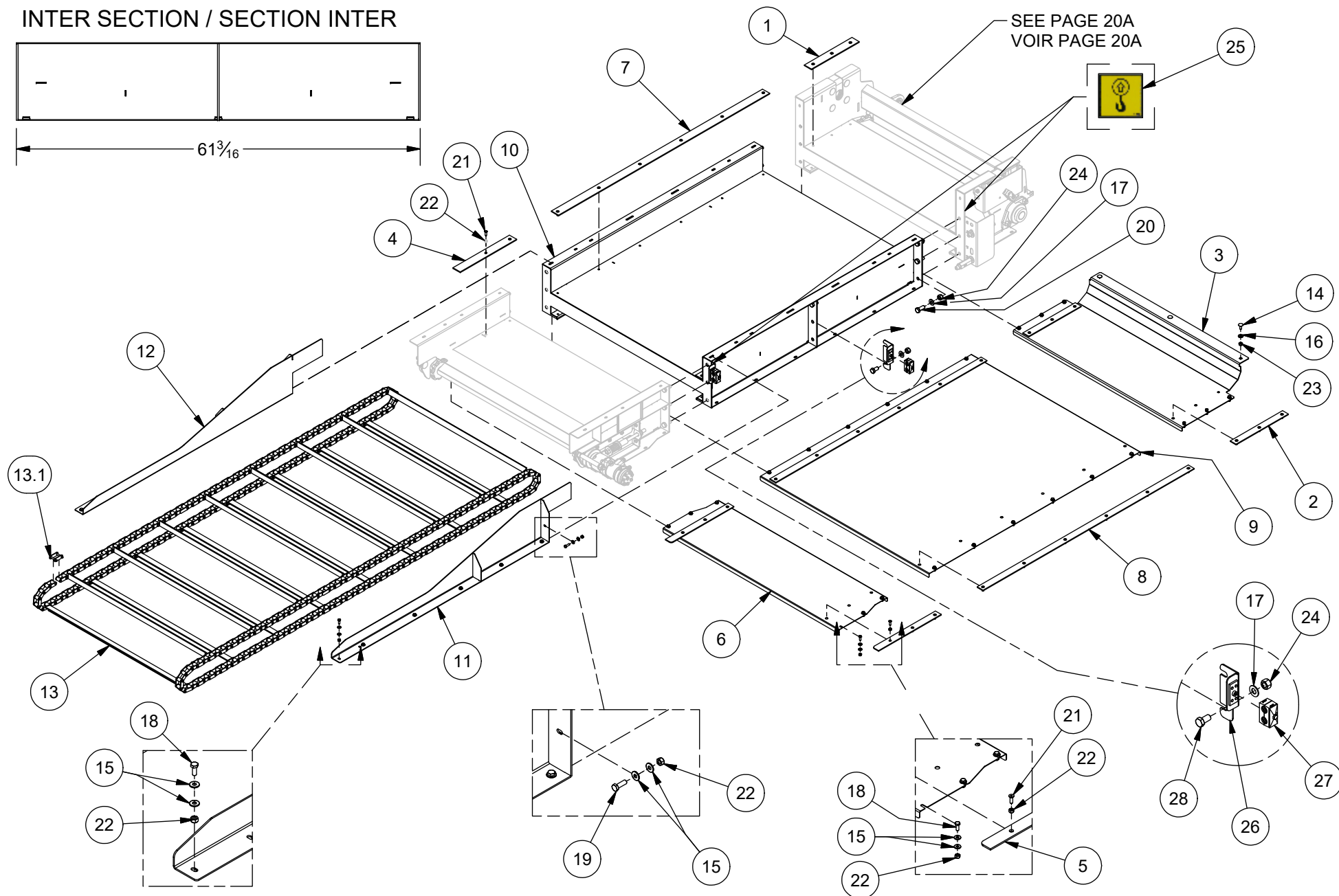
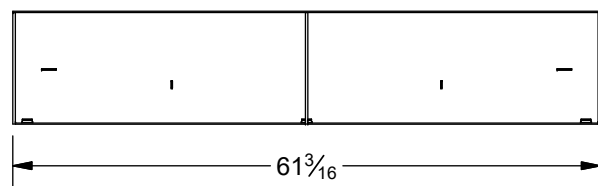


ITEM	QT	PART/PIECE	ENGLISH DESCRIPTION	DESCRIPTION FRANCAISE	NOTE
1	2	097-CON-130	BLACK UHMW ABOVE CHAIN CONVEYOR FOOT	UHMW NOIR DESSUS LE PIED DU CONVOYEUR À CHAÎNE	3/16" X 2 1/8" X 13 3/4"
2	2	097-CON-120	BLACK UHMW UNDER CHAIN CONVEYOR FOOT	UHMW NOIR SOUS LE PIED DU CONVOYEUR À CHAÎNE	3/16" X 1 3/4" X 15 1/8"
3	1	097-CON-168	GUARD UNDER CHAIN CONVEYOR FOOT	GARDE SOUS LE PIED DU CONVOYEUR À CHAÎNE	
4	2	097-CON-349	BLACK UHMW ABOVE CHAIN CONVEYOR HEAD	UHMW NOIR DESSUS LA TÊTE DU CONVOYEUR À CHAÎNE	3/16" X 2 1/8" X 16 3/8"
5	2	097-CON-123	BLACK UHMW UNDER CHAIN CONVEYOR HEAD	UHMW NOIR SOUS LA TÊTE DU CONVOYEUR À CHAÎNE	3/16" X 1 3/4" X 18 1/8"
6	1	097-CON-172	GUARD UNDER CHAIN CONVEYOR HEAD	GARDE SOUS LE TÊTE DU CONVOYEUR À CHAÎNE	
7	2	097-CON-220	BLACK UHMW UNDER CHAIN CONVEYOR INTER 2.1M	UHMW NOIR DESSUS DU CONVOYEUR À CHAÎNE INTER 2.1M	3/16" X 2 1/8" X 51 1/8"
8	2	097-CON-221	BLACK UHMW UNDER CHAIN CONVEYOR INTER 2.1M	UHMW NOIR SOUS LE CONVOYEUR À CHAÎNE INTER 2.1M	3/16" X 1 3/4" X 51 1/8"
9	1	097-CON-222	GUARD UNDER CHAIN CONVEYOR INTER 2.1M	GARDE SOUS LE CONVOYEUR À CHAÎNE INTER 2.1M	
10	1	097-CON-CD	INTER 2.1M CONVEYOR FRAME	CADRE DE CONVOYEUR INTER 2.1M	
11	1	097-CON-DZ	LEFT CONVEYOR CAPACITY EXTENSION 1.8M TO 2.4M	REHAUSSE DE CONVOYEUR GAUCHE 1.8M À 2.4M	
12	1	097-CON-EA	RIGHT CONVEYOR CAPACITY EXTENSION 1.8M TO 2.4M	REHAUSSE DE CONVOYEUR DROIT 1.8M À 2.4M	
13	1	302585	CONV. CHAIN 116 LINK CA620 F.ANGLE	CHAÎNE CONV. 116 MAILLE CA620 F.ANGLE	
13.1	2	302583	CA620 CONNECTING LINK	MAILLE PATENTE CA620 CONNECT LINK	
14	3	500700	CARRIAGE BOLT M10 X 1.50 X 25 CL.4.6	BOULON CAROSSERIE M10 X 1.50 X 25 CL.4.6	
15	79	502002	FLAT WASHER 1/4 Z	RONDELLE PLATE 1/4 Z	
16	3	502004	FLAT WASHER 3/8 Z	RONDELLE PLATE 3/8 Z	
17	13	502008-1	FLAT WASHER 5/8 Z-SAE	RONDELLE PLATE 5/8 Z-SAE	
18	26	506000	HEX. BOLT M8 X 1.25 X 20mm CL8.8	BOULON HEX. M8 X 1.25 X 20mm CL8.8	
19	13	506001	HEX. BOLT M8 X 1.25 X 25mm CL8.8	BOULON HEX. M8 X 1.25 X 25mm CL8.8	
20	12	506012	HEX. BOLT M16 X 2 X 40mm CL8.8	BOULON HEX. M16 X 2 X 40mm CL8.8	
21	38	507052-1	HEX FLAT SOCKET HEAD BOLT M8 X 1,25 - 25	BOULON TÊTE CREUSE PLATE HEX M8 X 1,25 - 25	
22	79	506051	NYLON NUT M8 X 1.25	ECROU NYLON M8 X 1.25	
23	3	506039	NYLON NUT M10 X 1.5	ECROU NYLON M10 X 1.5	
24	28	506037	NYLON NUT M16 X 2	ECROU NYLON M16 X 2	
25	4	404063	HANG HERE STICKER	DÉCALQUE ACCROCHEZ ICI	
26	2	097-CON-DW	HOSE HOLDER BRACKET	SUPPORT DE BOYAU	
27	3	470051	DOUBLE HOSE HOLDER 21.3mm (0.84")	SUPPORT BOYAU DOUBLE 21.3mm (0.84")	
28	2	506012-1	HBZ M16 - 2.00 X 30MM CL 8.8	HBZ M16 - 2.00 X 30MM CL 8.8	

20G - INCLINED FD CHAIN CONVEYOR (2.4M) / CONVOYEUR À CHAÎNE INCLINÉ FD (2.4M)



INTER SECTION / SECTION INTER



20G - INCLINED FD CHAIN CONVEYOR (2.4M) / CONVOYEUR À CHAÎNE INCLINÉ FD (2.4M)



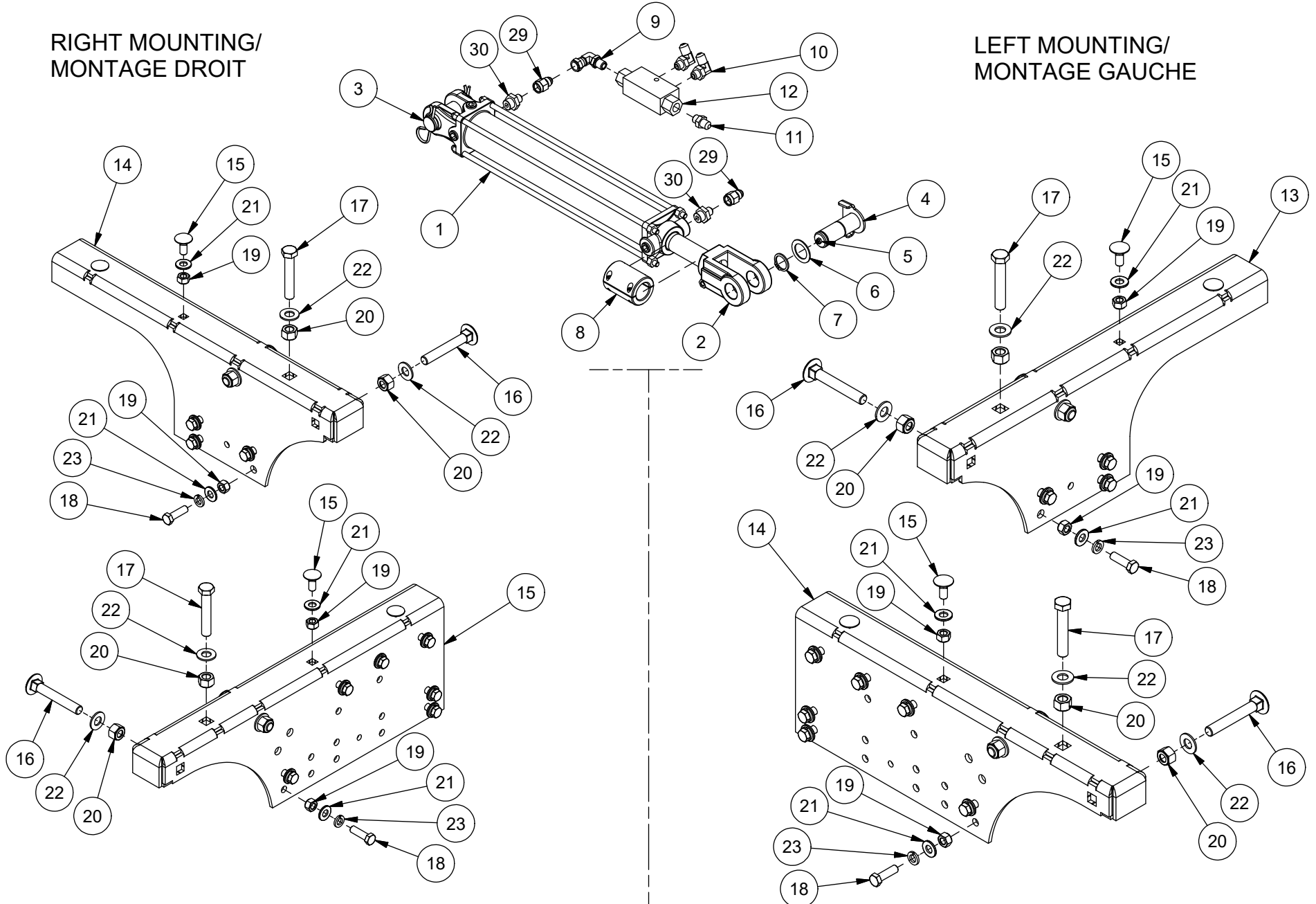
ITEM	QT	PART/PIECE	ENGLISH DESCRIPTION	DESCRIPTION FRANCAISE	NOTE
1	2	097-CON-130	BLACK UHMW ABOVE CHAIN CONVEYOR FOOT	UHMW NOIR DESSUS LE PIED DU CONVOYEUR À CHAÎNE	3/16" X 2 1/8" X 13 3/4"
2	2	097-CON-120	BLACK UHMW UNDER CHAIN CONVEYOR FOOT	UHMW NOIR SOUS LE PIED DU CONVOYEUR À CHAÎNE	3/16" X 1 3/4" X 15 1/8"
3	1	097-CON-168	GUARD UNDER CHAIN CONVEYOR FOOT	GARDE SOUS LE PIED DU CONVOYEUR À CHAÎNE	
4	2	097-CON-349	BLACK UHMW ABOVE CHAIN CONVEYOR HEAD	UHMW NOIR DESSUS LA TÊTE DU CONVOYEUR À CHAÎNE	3/16" X 2 1/8" X 16 3/8"
5	2	097-CON-123	BLACK UHMW UNDER CHAIN CONVEYOR HEAD	UHMW NOIR SOUS LA TÊTE DU CONVOYEUR À CHAÎNE	3/16" X 1 3/4" X 18 1/8"
6	1	097-CON-172	GUARD UNDER CHAIN CONVEYOR HEAD	GARDE SOUS LE TÊTE DU CONVOYEUR À CHAÎNE	
7	2	097-CON-121	BLACK UHMW ABOVE CHAIN CONVEYOR INTER 2.4M	UHMW NOIR DESSUS DU CONVOYEUR À CHAÎNE INTER 2.4M	3/16" X 2 1/8" X 61"
8	2	097-CON-140	BLACK UHMW UNDER CHAIN CONVEYOR INTER 2.4M	UHMW NOIR SOUS LE CONVOYEUR À CHAÎNE INTER 2.4M	3/16" X 1 3/4" X 61"
9	1	097-CON-173	GUARD UNDER CHAIN CONVEYOR INTER 2.4M	GARDE SOUS LE CONVOYEUR À CHAÎNE INTER 2.4M	
10	1	097-CON-BW	INTER 2.4M CONVEYOR FRAME	CADRE DE CONVOYEUR INTER 2.4M	
11	1	097-CON-DZ	LEFT CONVEYOR CAPACITY EXTENSION 1.8M TO 2.4M	REHAUSSE DE CONVOYEUR GAUCHE 1.8M À 2.4M	
12	1	097-CON-EA	RIGHT CONVEYOR CAPACITY EXTENSION 1.8M TO 2.4M	REHAUSSE DE CONVOYEUR DROIT 1.8M À 2.4M	
13	1	302581	CONV. CHAIN 128 LINK CA620 F.ANGLE	CHAIN CONV. 128 MAILLE CA620 F.ANGLE	
13.1	2	302583	CA620 CONNECTING LINK	MAILLE PATENTE CA620 CONNECT LINK	
14	3	500700	CARRIAGE BOLT M10 X 1.50 X 25 CL4.6	BOULON CAROSSERIE M10 X 1.50 X 25 CL4.6	
15	87	502002	FLAT WASHER 1/4 Z	RONDELLE PLATE 1/4 Z	
16	3	502004	FLAT WASHER 3/8 Z	RONDELLE PLATE 3/8 Z	
17	13	502008-1	FLAT WASHER 5/8 Z-SAE	RONDELLE PLATE 5/8 Z-SAE	
18	30	506000	HEX. BOLT M8 X 1.25 X 20mm CL8.8	BOULON HEX. M8 X 1.25 X 20mm CL8.8	
19	13	506001	HEX. BOLT M8 X 1.25 X 25mm CL8.8	BOULON HEX. M8 X 1.25 X 25mm CL8.8	
20	12	506012	HEX. BOLT M16 X 2 X 40mm CL8.8	BOULON HEX. M16 X 2 X 40mm CL8.8	
21	46	507052-1	HEX FLAT SOCKET HEAD BOLT M8 X 1,25 - 25	BOULON TÊTE CREUSE PLATE HEX M8 X 1,25 - 25	
22	90	506051	NYLON NUT M8 X 1.25	ECROU NYLON M8 X 1.25	
23	3	506039	NYLON NUT M10 X 1.5	ECROU NYLON M10 X 1.5	
24	28	506037	NYLON NUT M16 X 2	ECROU NYLON M16 X 2	
25	4	404063	HANG HERE STICKER	DÉCALQUE ACCROCHEZ ICI	
26	2	097-CON-DW	HOSE HOLDER BRACKET	SUPPORT DE BOYAU	
27	3	470051	DOUBLE HOSE HOLDER 21.3mm (0.84")	SUPPORT BOYAU DOUBLE 21.3mm (0.84")	
28	2	506012-1	HBZ M16 - 2.00 X 30MM CL 8.8	HBZ M16 - 2.00 X 30MM CL 8.8	

20H - MOUNTING KIT (CHAIN) / KIT DE MONTAGE (CHAINE)



RIGHT MOUNTING/
MONTAGE DROIT

LEFT MOUNTING/
MONTAGE GAUCHE



20H - MOUNTING KIT (CHAIN) / KIT DE MONTAGE (CHAINE)



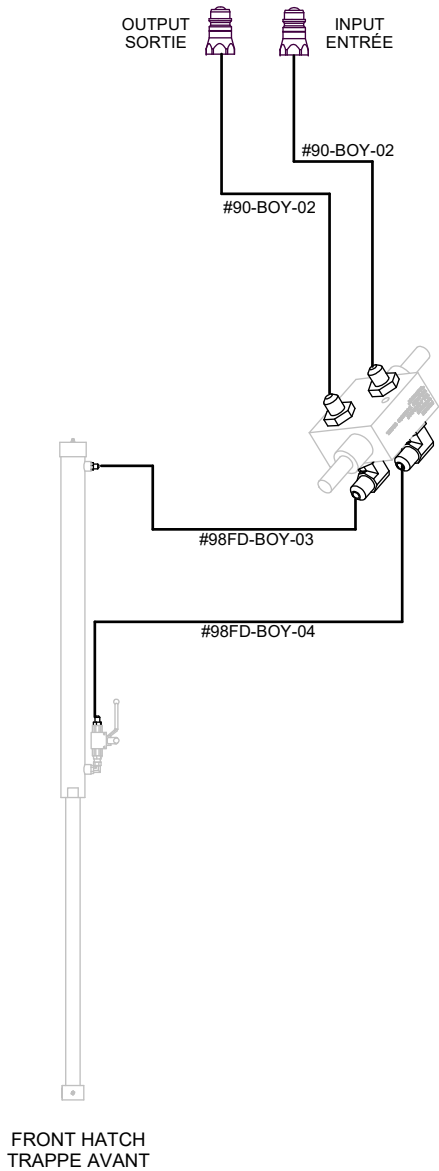
RIGHT MOUNTING / MONTAGE DROIT					
ITEM	QT	PART/PIECE	ENGLISH DESCRIPTION	DESCRIPTION FRANCAISE	NOTE
1	1	467206	CYLINDER HTR 2012	CYLINDRE HTR 2012	SEAL KIT 467860
2	1	467521	CLEVIS FOR CYLINDER	CLEVIS POUR VÉRIN	
3	1	320145	CYLINDER PIN 1"	GOUPILLE DE CYLINDRE 1"	
4	1	097-CON-DY	CYLINDER PIN	GOUPILLE DE CYLINDRE	
5	1	322299	GREASE FITTING	GRAISSEUR	
6	1	485206	FLAT WASHER dia 1.000 X .060	RONDELLE PLATE dia 1.000 X .060	
7	1	320005-1	RETAINING RING EXT. 1PO	BAGUE DE RETENUE EXT. 1PO	
8	1	322059	SHAFT COUPLING 1 1/8" ALUMINIUM	ACCOUPLLEMENT A ARBRE 1 1/8" ALUMINIUM	
9	1	451409	6 M.ORB - 6 F.JIC 90°	6 M.ORB - 6 F.JIC 90°	
10	2	451260	6 M.JIC - 6 M.ORB 90°	6 M.JIC - 6 M.ORB 90°	
11	1	451171	6 M.JIC- 6M.ORB	6 M.JIC- 6M.ORB	
12	1	466989	HYDRAULIC VALVE	VALVE HYDRAULIQUE	
14	1	097-CON-BE	INCLINED CONVEYOR RIGHT ATTACHMENT RIGHT CONFIG	ATTACHE DROITE DE CONVOYEUR INCLINÉ CONFIGURATION DROIT	
15	1	097-CON-AY	INCLINED CONVEYOR LEFT ATTACHMENT RIGHT CONFIG	ATTACHE GAUCHE DE CONVOYEUR INCLINÉ CONFIGURATION DROIT	
15	8	500701	CARRIAGE BOLT M12 X 1.75 X 30 CL8.8	BOULON CARROSSERIE M12 X 1.75 X 30 CL8.8	
16	8	500713	CARRIAGE BOLT M16 X 2 X 110 CL8.8	BOULON DE CARROSSERIE M16 X 2 X 110 CL8.8	
17	4	506134	HEX. BOLT M16 X 2 X 90mm CL8.8	BOULON HEX. M16 X 2 X 90mm CL8.8	
18	22	506129	HEX. BOLT M12 X 1.75 X 40mm CL8.8	BOULON HEX. M12 X 1.75 X 40mm CL8.8	
19	30	506040	NYLON NUT M12 X 1.75	ECROU NYLON M12 X 1.75	
20	12	506037	NYLON NUT M16 X 2	ECROU NYLON M16 X 2	
21	30	502006	FLAT WASHER 1/2 Z-SAE	RONDELLE PLATE 1/2 Z-SAE	
22	12	502008-1	FLAT WASHER 5/8 Z-SAE	RONDELLE PLATE 5/8 Z-SAE	
23	22	502048	LOCK WASHER 1/2	RONDELLE DE BLOCAGE 1/2	
29	2	450574	5100-06-06 HOLE 3/64	5100-06-06 ORIFICE 3/64	
30	2	451172	6 M JIC - 8 M ORB	6 M JIC - 8 M ORB	

LEFT MOUNTING / MONTAGE GAUCHE					
ITEM	QT	PART/PIECE	ENGLISH DESCRIPTION	DESCRIPTION FRANCAISE	NOTE
1	1	467206	CYLINDER HTR 2012	CYLINDRE HTR 2012	SEAL KIT 467860
2	1	467521	CLEVIS FOR CYLINDER	CLEVIS POUR VÉRIN	
3	1	320145	CYLINDER PIN 1"	GOUPILLE DE CYLINDRE 1"	
4	1	097-CON-DY	CYLINDER PIN	GOUPILLE DE CYLINDRE	
5	1	322299	GREASE FITTING	GRAISSEUR	
6	1	485206	FLAT WASHER dia 1.000 X .060	RONDELLE PLATE dia 1.000 X .060	
7	1	320005-1	RETAINING RING EXT. 1PO	BAGUE DE RETENUE EXT. 1PO	
8	1	322059	SHAFT COUPLING 1 1/8" ALUMINIUM	ACCOUPLLEMENT A ARBRE 1 1/8" ALUMINIUM	
9	1	451409	6 M.ORB - 6 F.JIC 90°	6 M.ORB - 6 F.JIC 90°	
10	2	451260	6 M.JIC - 6 M.ORB 90°	6 M.JIC - 6 M.ORB 90°	
11	1	451171	6 M.JIC- 6M.ORB	6 M.JIC- 6M.ORB	
12	1	466989	HYDRAULIC VALVE	VALVE HYDRAULIQUE	
13	1	097-CON-EN	INCLINED CONVEYOR LEFT ATTACHMENT LEFT CONFIG	ATTACHE GAUCHE DE CONVOYEUR INCLINÉ CONFIGURATION GAUCHE	
14	1	097-CON-EO	INCLINED CONVEYOR RIGHT ATTACHMENT LEFT CONFIG	ATTACHE DROITE DE CONVOYEUR INCLINÉ CONFIGURATION GAUCHE	
15	8	500701	CARRIAGE BOLT M12 X 1.75 X 30 CL8.8	BOULON CARROSSERIE M12 X 1.75 X 30 CL8.8	
16	8	500713	CARRIAGE BOLT M16 X 2 X 110 CL8.8	BOULON DE CARROSSERIE M16 X 2 X 110 CL8.8	
17	4	506134	HEX. BOLT M16 X 2 X 90mm CL8.8	BOULON HEX. M16 X 2 X 90mm CL8.8	
18	22	506129	HEX. BOLT M12 X 1.75 X 40mm CL8.8	BOULON HEX. M12 X 1.75 X 40mm CL8.8	
19	30	506040	NYLON NUT M12 X 1.75	ECROU NYLON M12 X 1.75	
20	12	506037	NYLON NUT M16 X 2	ECROU NYLON M16 X 2	
21	30	502006	FLAT WASHER 1/2 Z-SAE	RONDELLE PLATE 1/2 Z-SAE	
22	12	502008-1	FLAT WASHER 5/8 Z-SAE	RONDELLE PLATE 5/8 Z-SAE	
23	22	502048	LOCK WASHER 1/2	RONDELLE DE BLOCAGE 1/2	
29	2	450574	5100-06-06 HOLE 3/64	5100-06-06 ORIFICE 3/64	
30	2	451172	6 M JIC - 8 M ORB	6 M JIC - 8 M ORB	

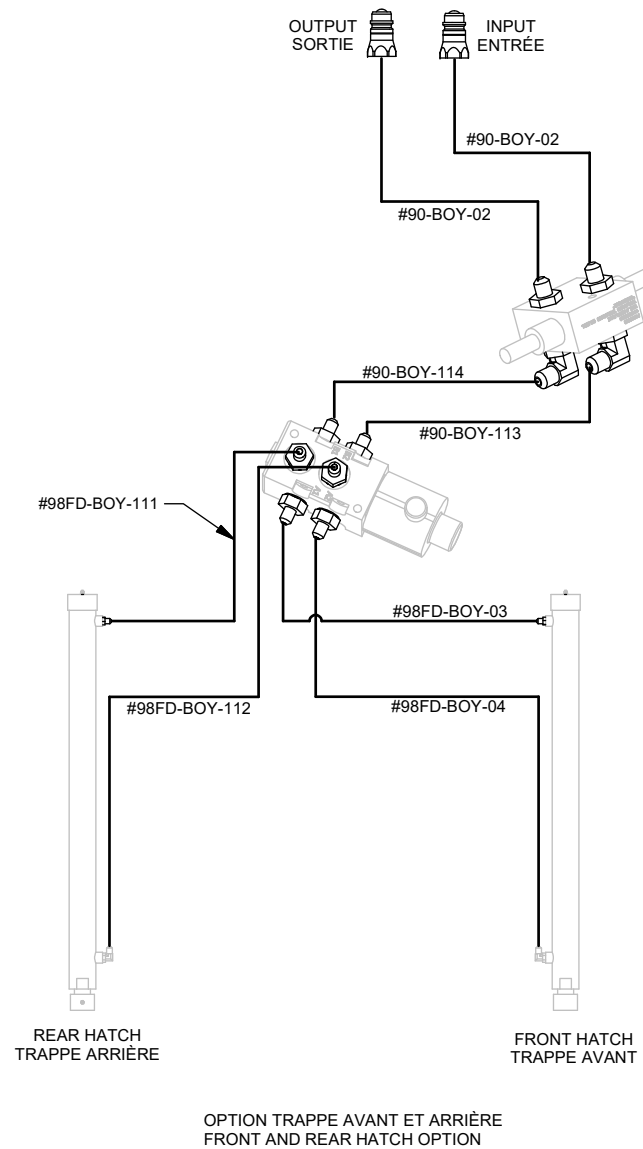
21A - HATCH AND RESTRICTOR BLADE / TRAPPE ET CONTRE-COUTEAU



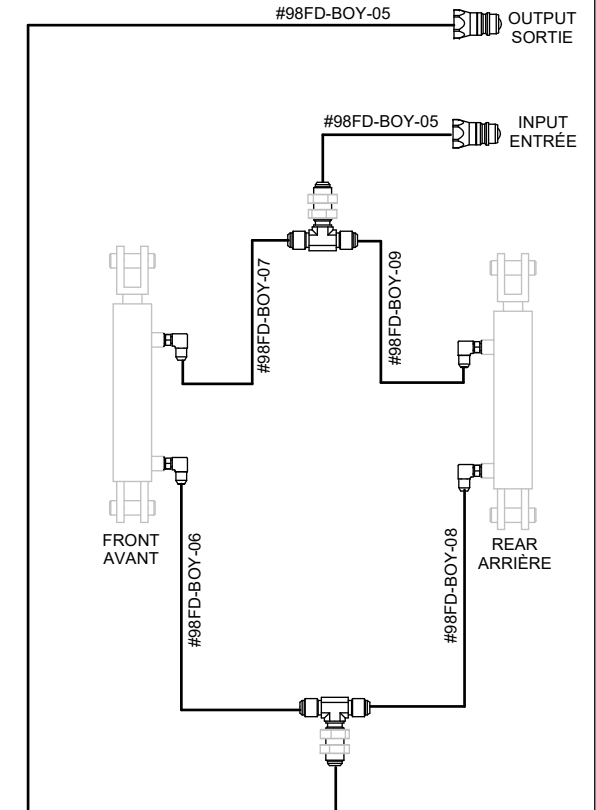
ONLY FRONT HATCH TRAPPE AVANT SEULEMENT



TWO HATCH OPTION OPTION DEUX TRAPPES



RESTRICTOR BLADE OPTION OPTION DE CONTRE-COUTEAU

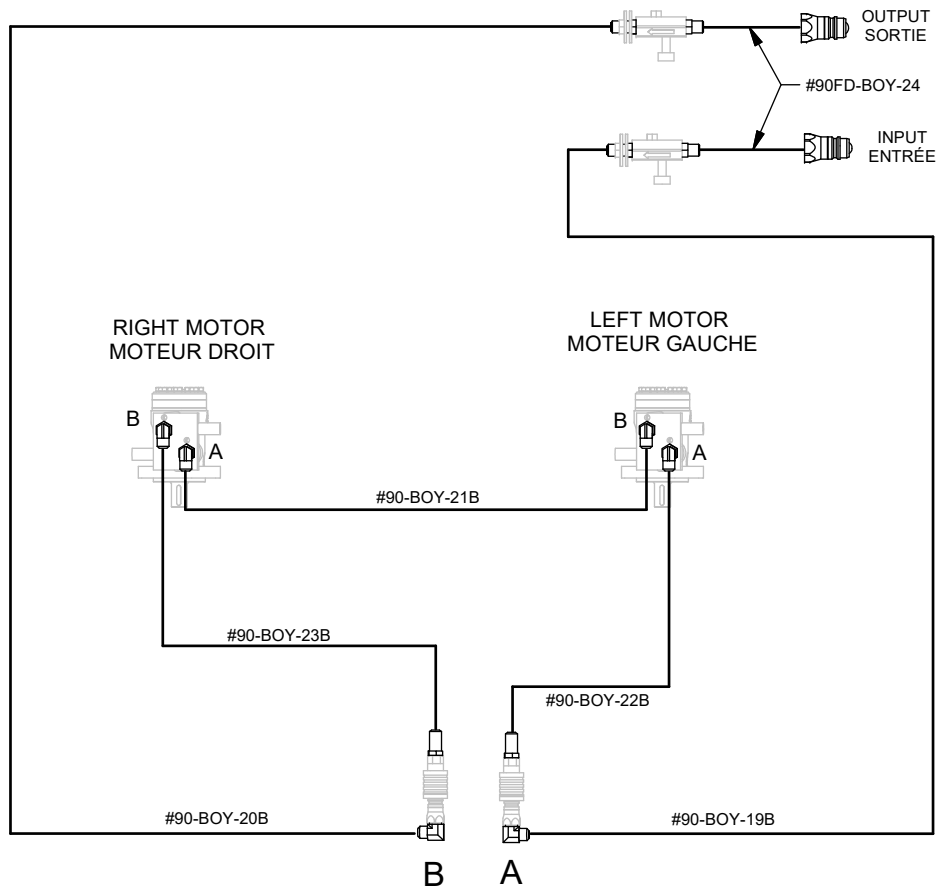




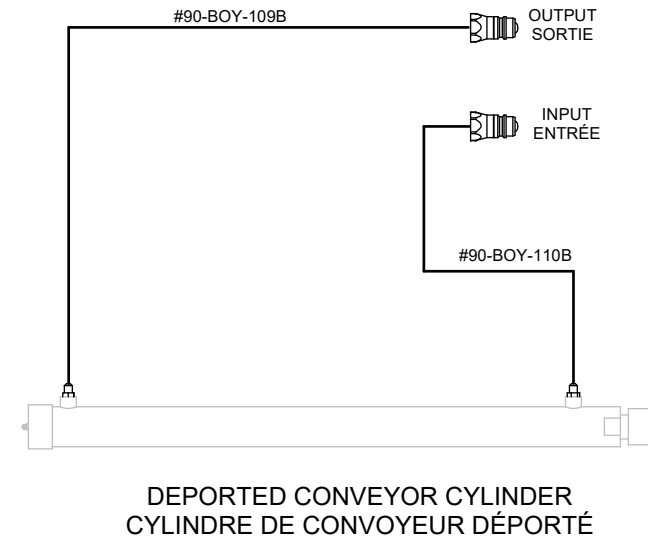
ANDERSON

21B - HORIZONTAL BELT COVEYOR / CONVOYEUR À COURROIE HORIZONTAL

HOROZONTAL CONVEYOR / CONVOYEUR HORIZONTAL



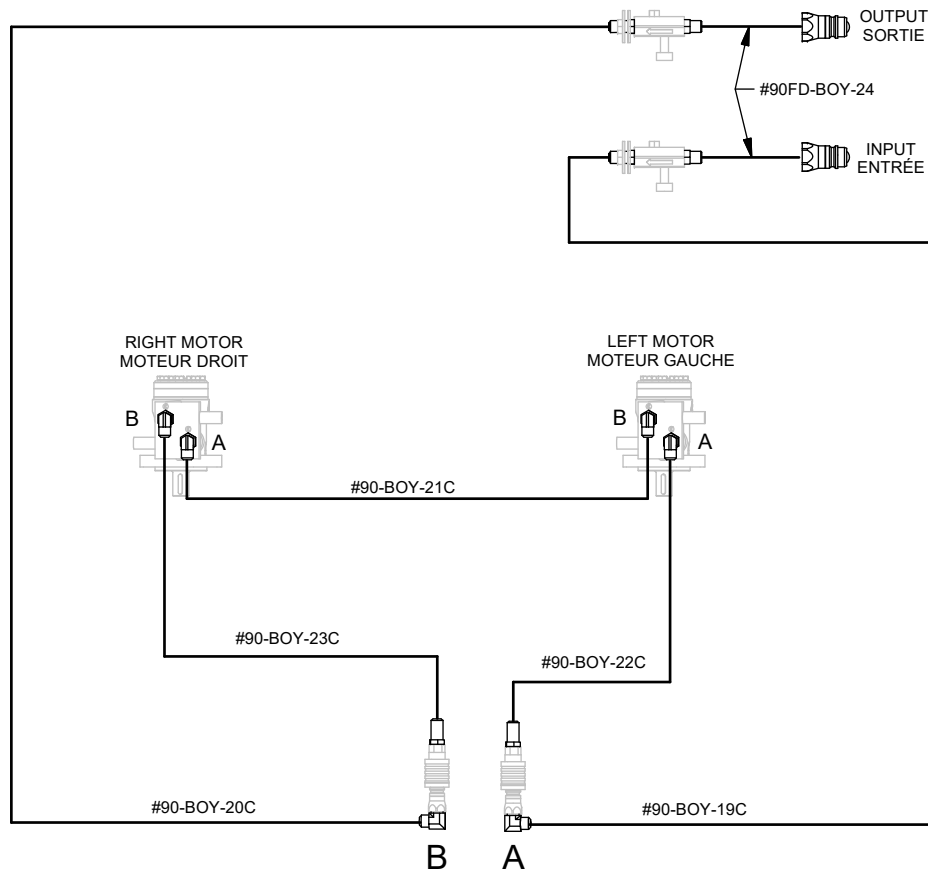
HORIZONTAL DEPORTED CONVEYOR CONVOYEUR HORIZONTAL DÉPORTÉ



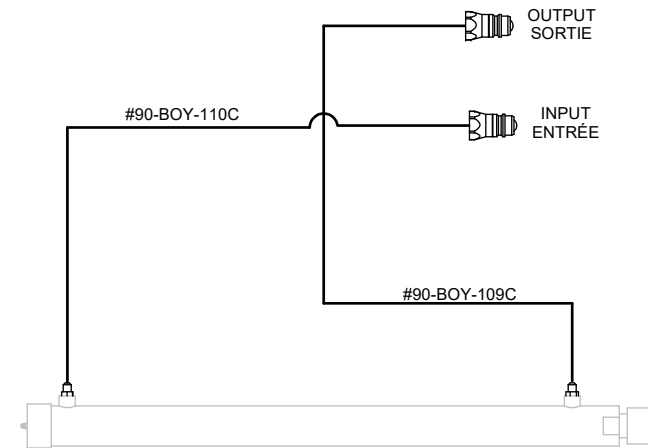
21C - HORIZONTAL CHAIN COVEYOR / CONVOYEUR À CHAÎNE HORIZONTAL



HOROVZONTAL CONVEYOR / CONVOYEUR HORIZONTAL



DEPORTED CYLINDER CONVEYOR CYLINDRE DE CONVOYEUR DÉPORTÉ

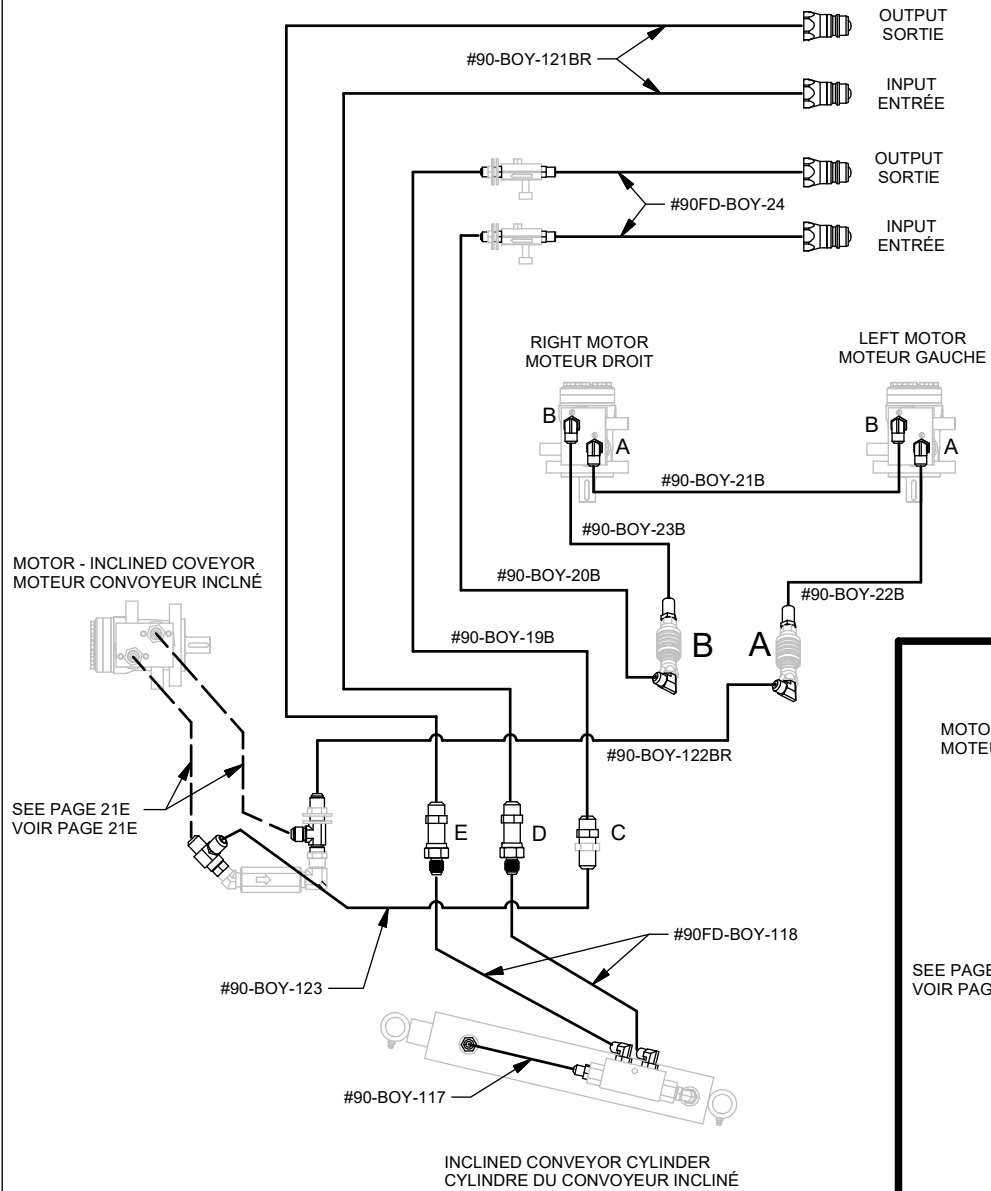


DEPORTED CONVEYOR CYLINDER CYLINDRE DE CONVOYEUR DÉPORTÉ

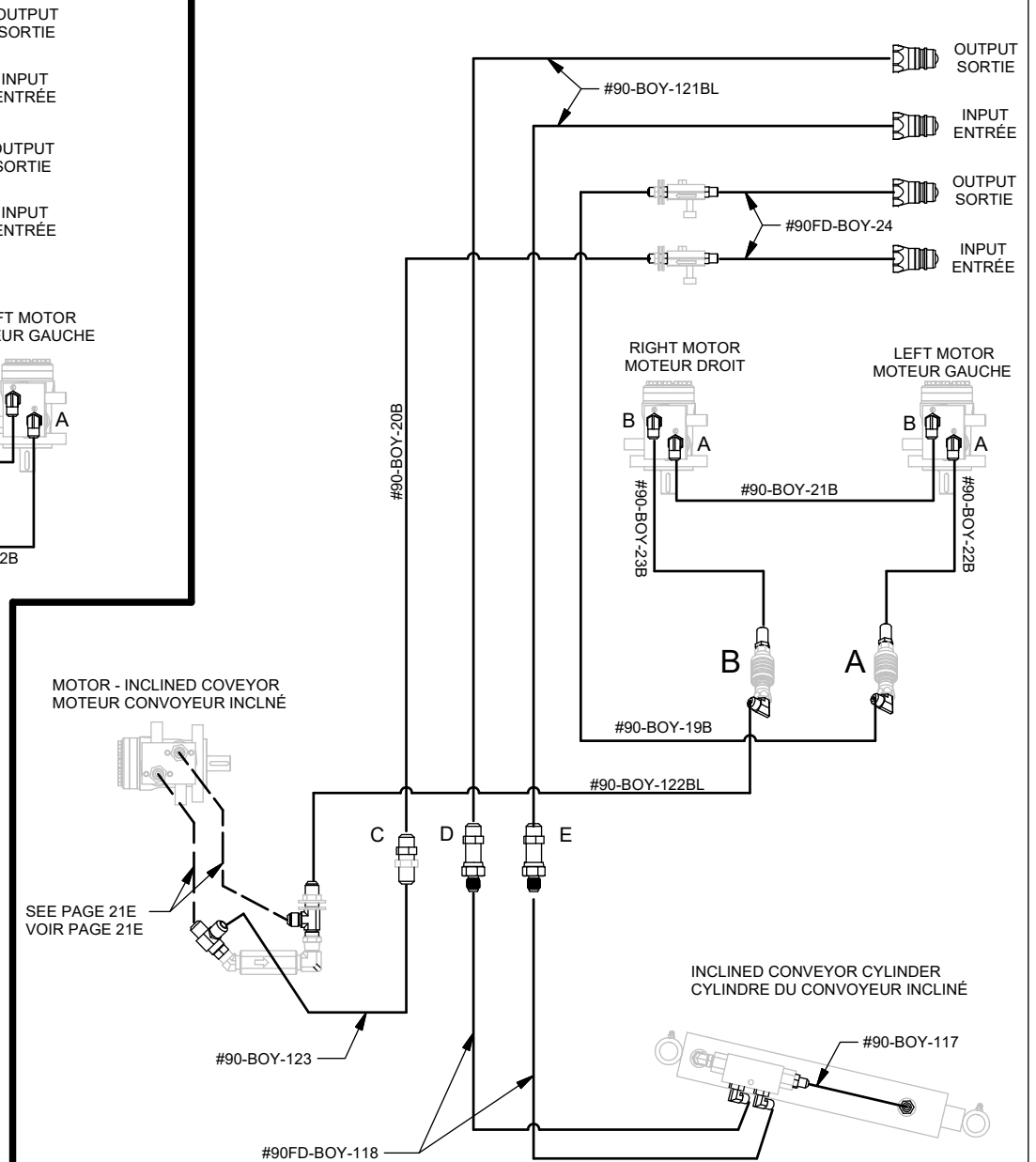
21D - INCLINED BELT CONVEYOR/ CONVOYEUR À COURROIE INCLINÉ



INCLINED RIGHT CONVEYOR / CONVOYEUR INCLINÉ DROIT



INCLINED LEFT CONVEYOR / CONVOYEUR INCLINÉ GAUCHE

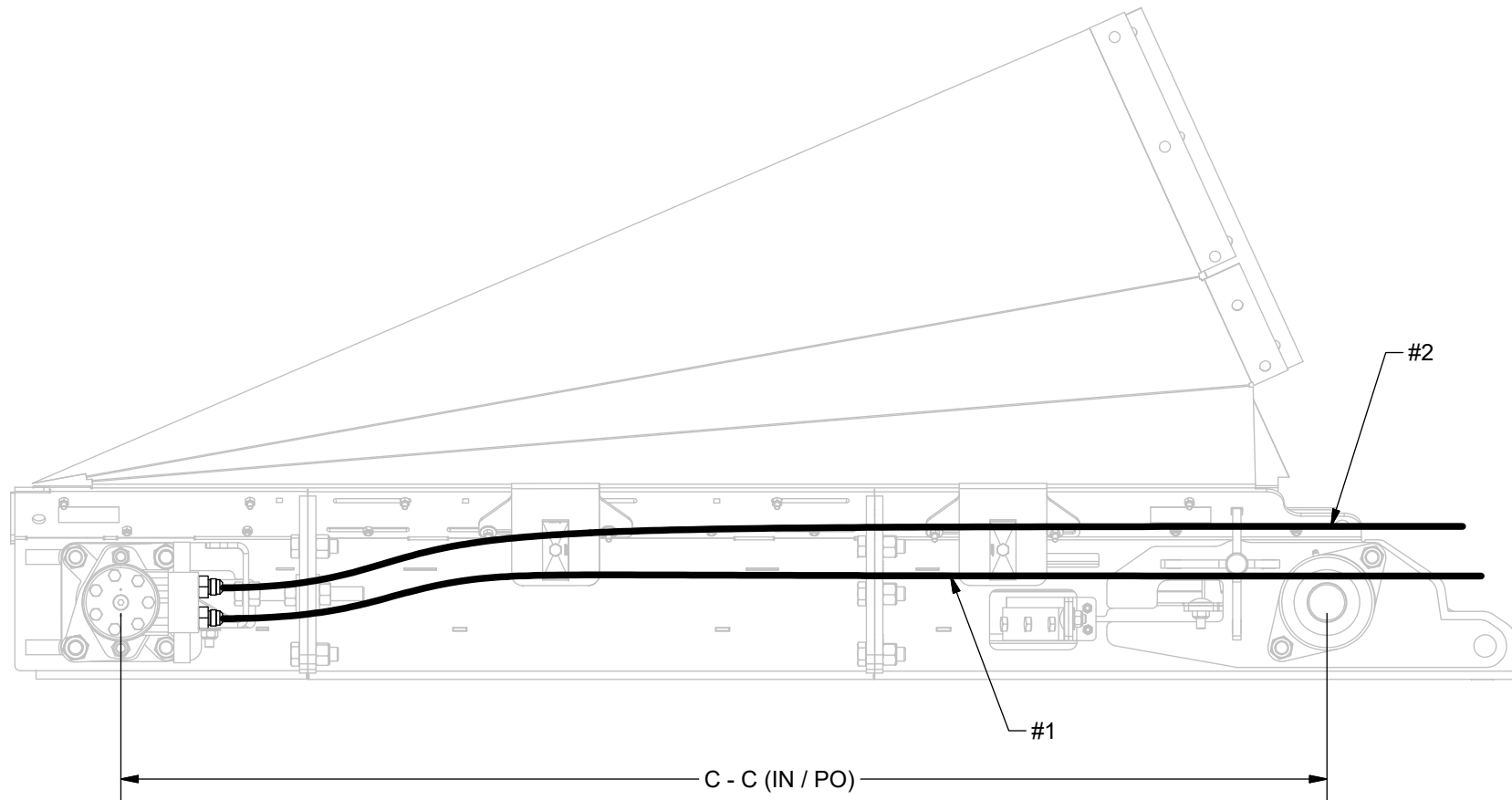


21E - INCLINED BELT CONVEYOR/ CONVOYEUR À COURROIE INCLINÉ



HOSE LIST CONVEYOR / LISTE DE BOYAUX CONVOYEUR

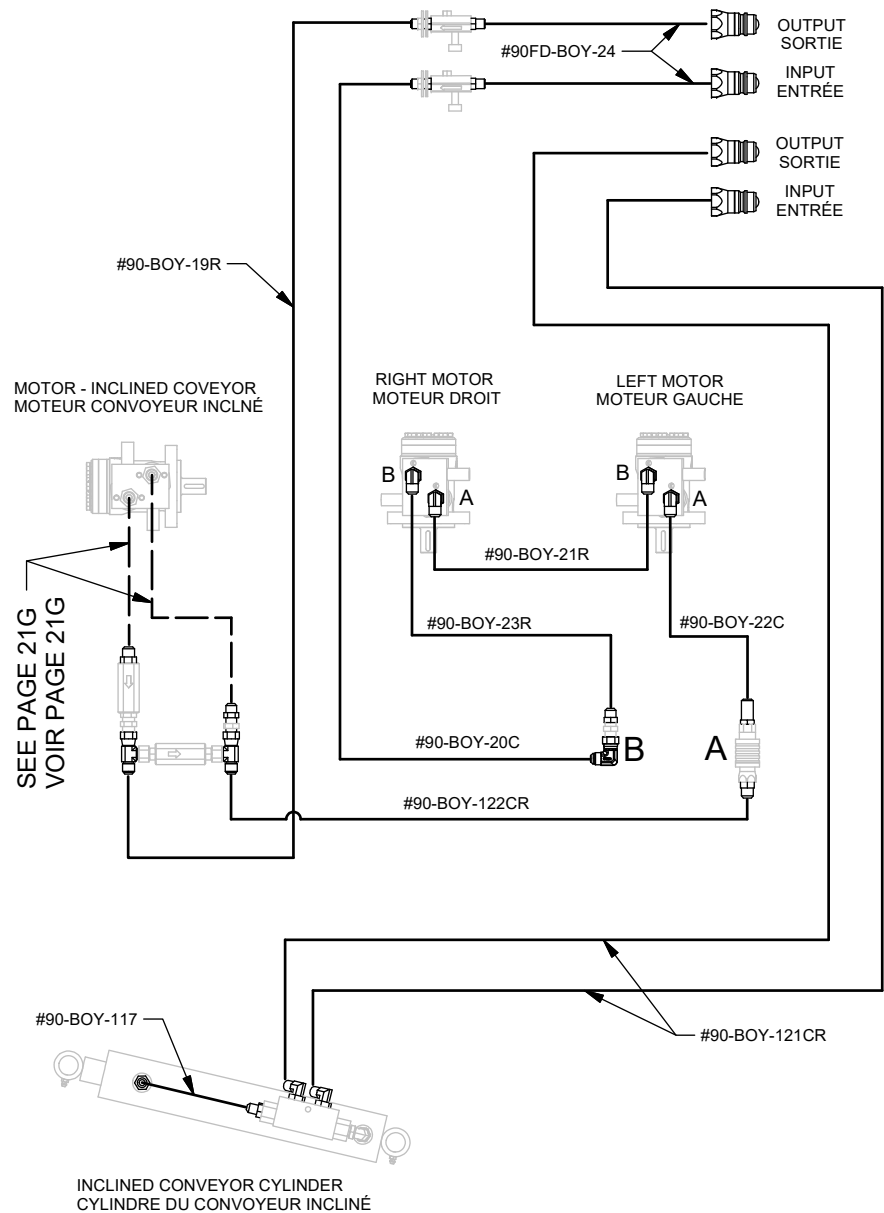
#	3FT / 0.9M	4FT / 1.2M	5FT / 1.5M	6FT / 1.8M	7FT / 2.1M	8FT / 2.4M
#1	IC90-BOY-115	IC120-BOY-115	IC150-BOY-115	IC180-BOY-115	IC210-BOY-115	IC240-BOY-115
#2	IC90-BOY-116	IC120-BOY-116	IC150-BOY-116	IC180-BOY-116	IC210-BOY-116	IC240-BOY-116
C - C	29 3/16	39	55 1/16	64 15/16	80 15/16	90 13/16



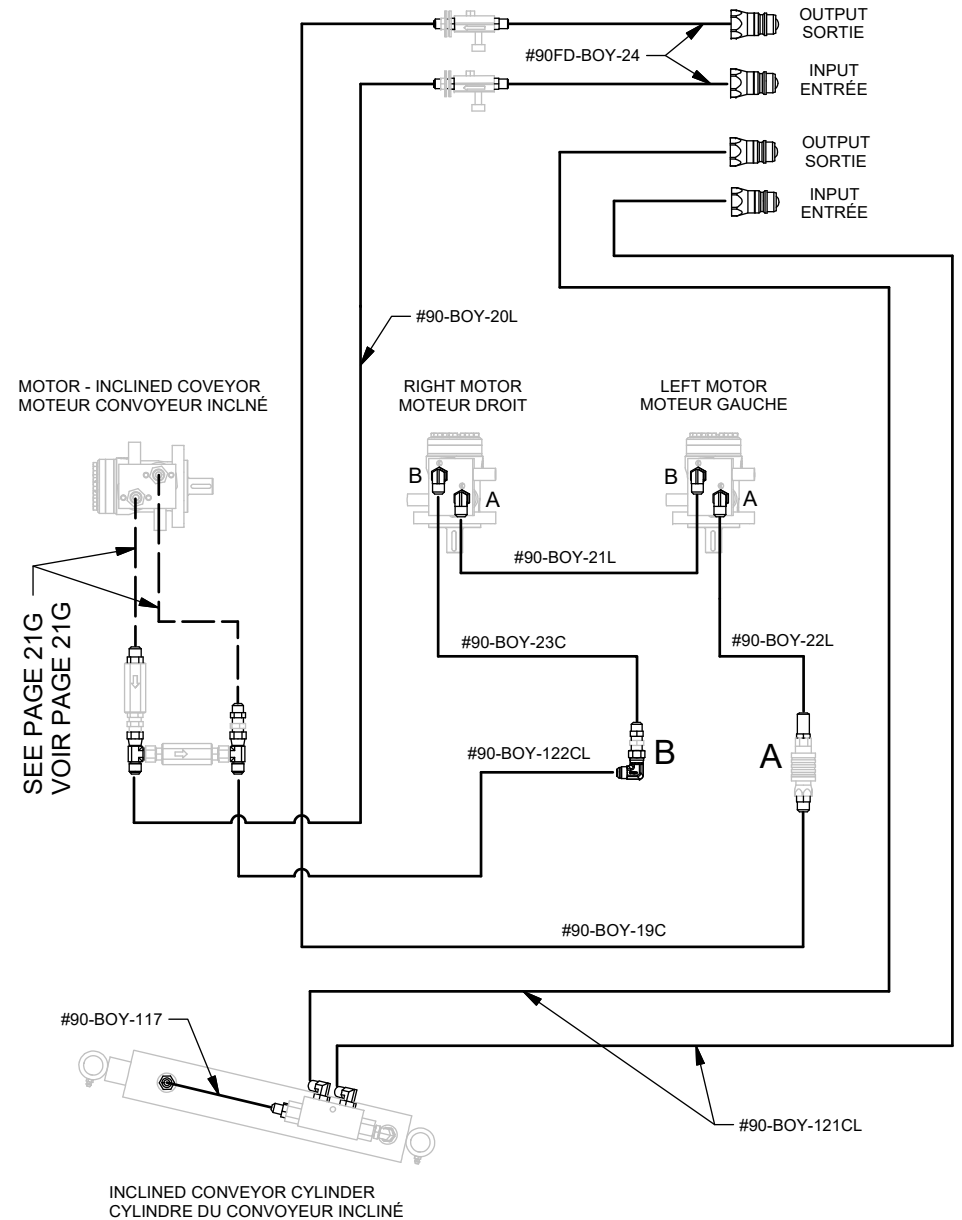
21F - INCLINED CHAIN CONVEYOR/ CONVOYEUR À CHAÎNE INCLINÉ



INCLINED RIGHT CONVEYOR / CONVOYEUR INCLINÉ DROIT



INCLINED LEFT CONVEYOR / CONVOYEUR INCLINÉ GAUCHE

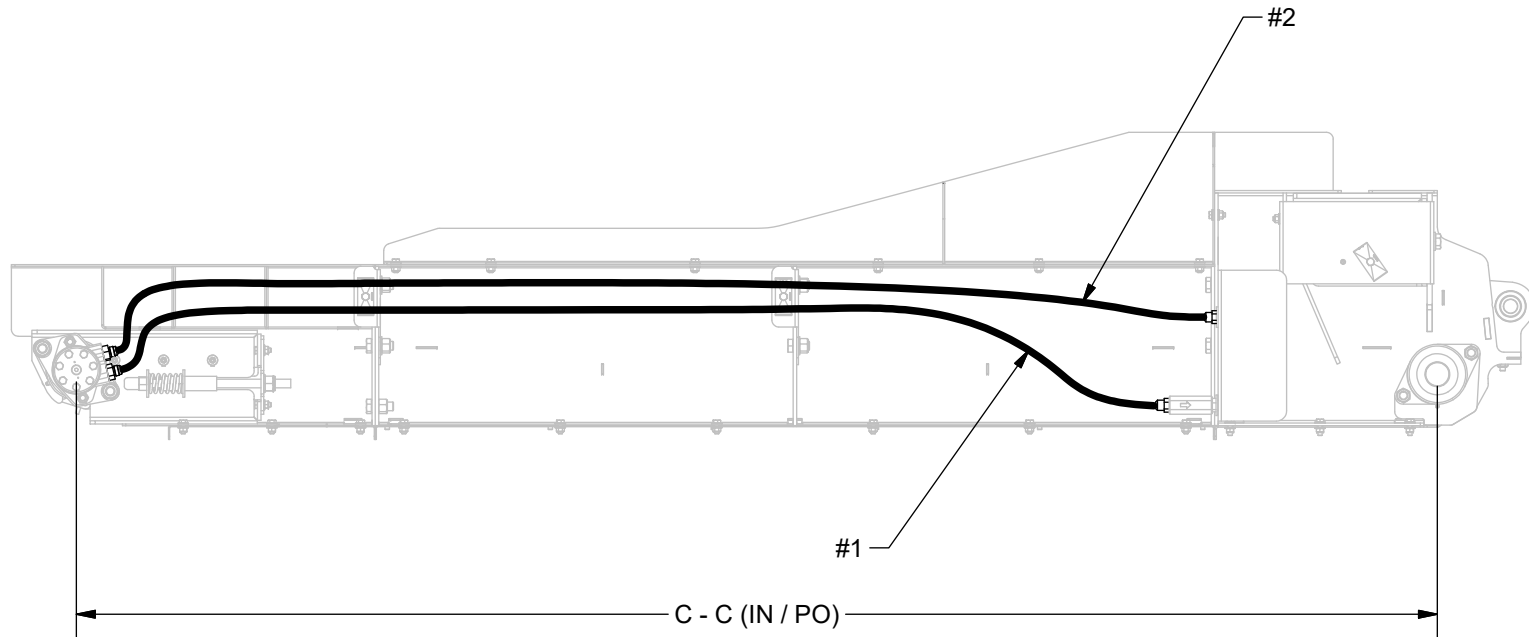


21G - INCLINED CHAINS CONVEYOR/ CONVOYEUR À CHAÎNE INCLINÉ

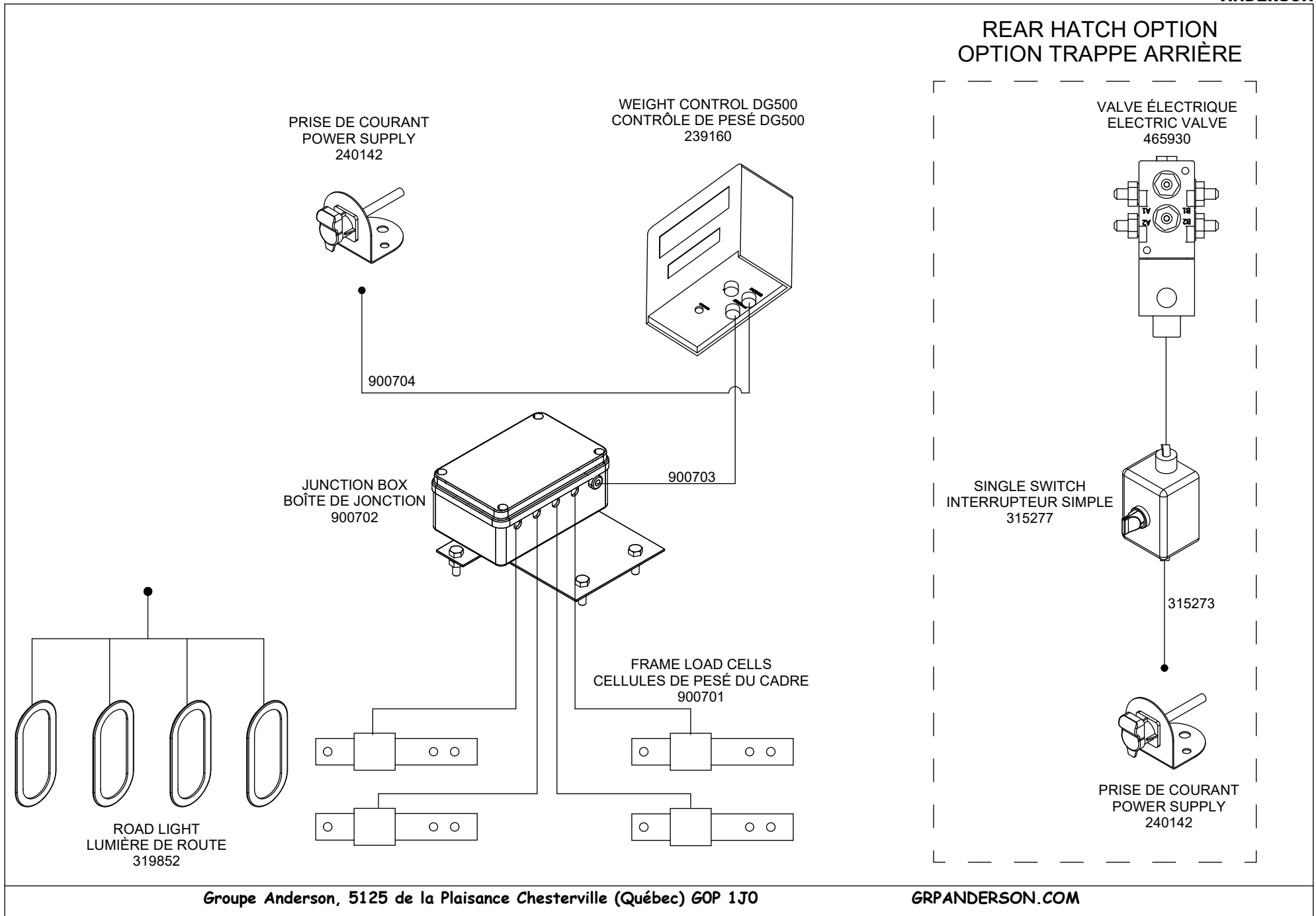


HOSE LIST CONVEYOR / LISTE DE BOYAUX CONVOYEUR

#	3FT / 0.9M	4FT / 1.2M	5FT / 1.5M	6FT / 1.8M	7FT / 2.1M	8FT / 2.4M
#1	IC90FD-BOY-115	IC120FD-BOY-115	IC150FD-BOY-115	IC180FD-BOY-115	IC210FD-BOY-115	IC240FD-BOY-115
#2	IC90FD-BOY-116	IC120FD-BOY-116	IC150FD-BOY-116	IC180FD-BOY-116	IC210FD-BOY-116	IC240FD-BOY-116
C - C	38 1/16	47 15/16	64 1/2	74 7/16	89 5/16	99 1/4



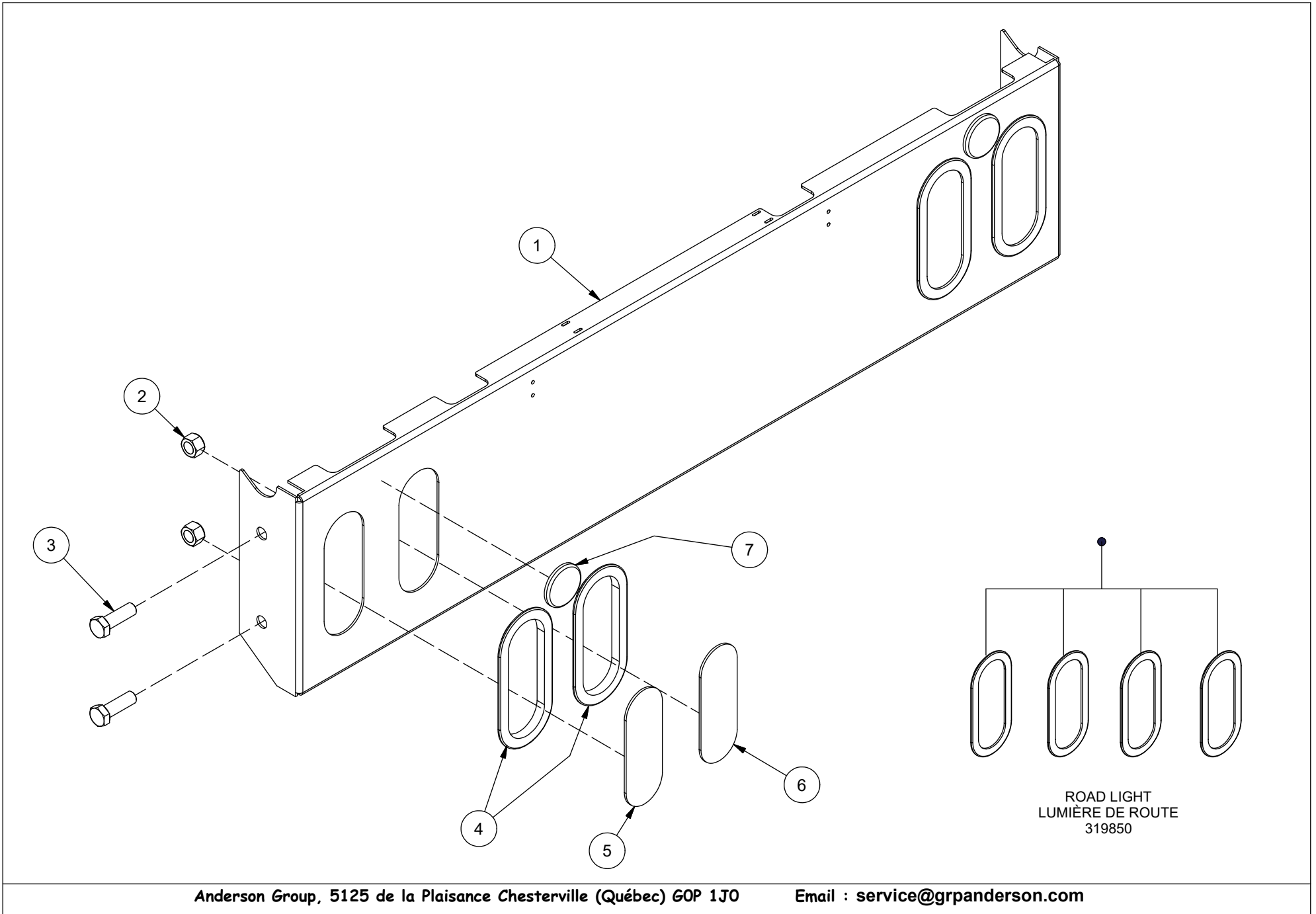
22 - DG500 ELECTRIC DIAGRAM / DIAGRAMME ÉLECTRIQUE DG500



22 - DG500 ELECTRIC DIAGRAM / DIAGRAMME ÉLECTRIQUE DG500



23 - BUMPER / PARE-CHOC



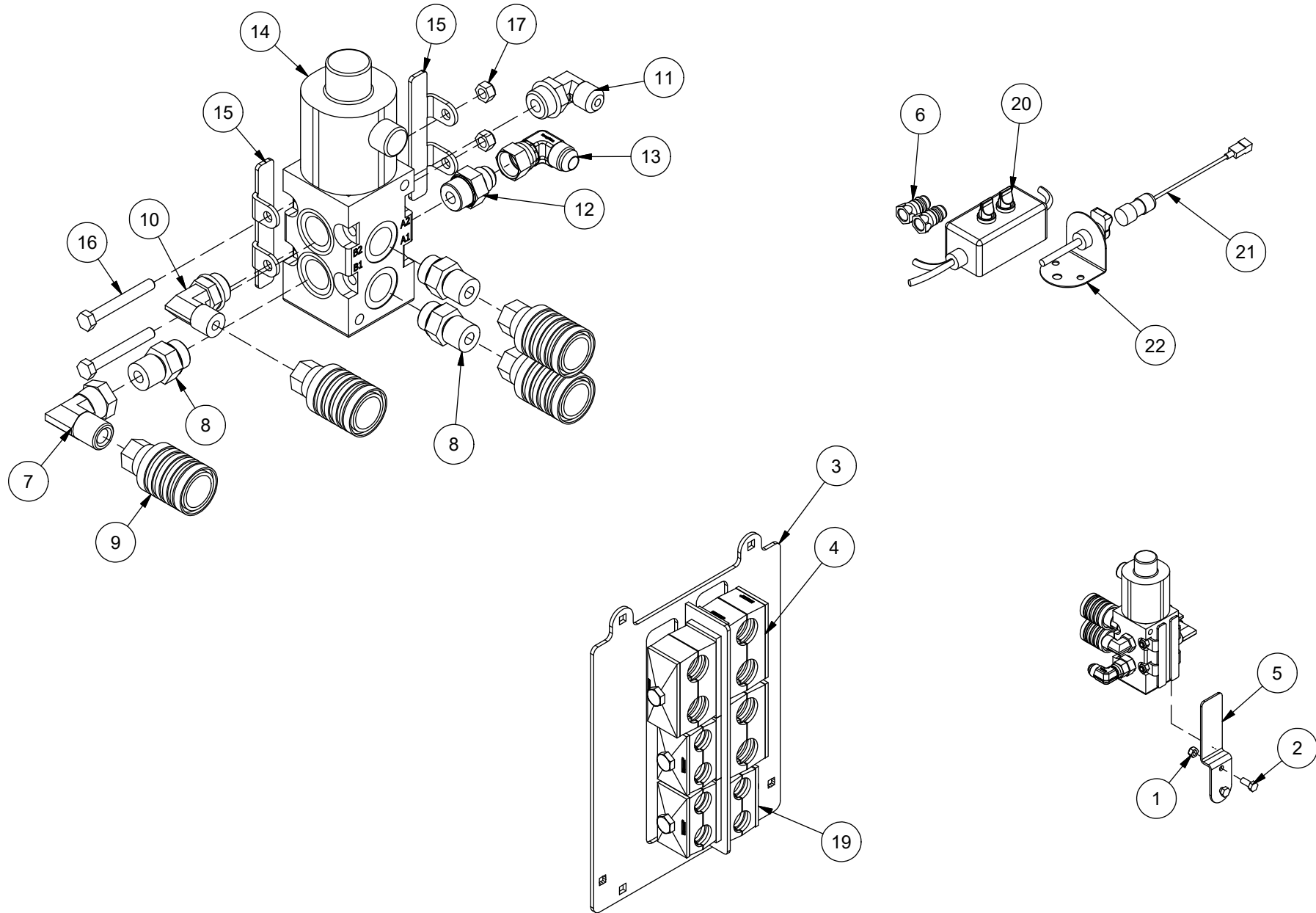
ROAD LIGHT
LUMIÈRE DE ROUTE
319850

23 - BUMPER / PARE-CHOC



ITEM	QT	PART/PIECE	ENGLISH DESCRIPTION	DESCRIPTION FRANCAISE	NOTE
1	1	090-FRM-215	BUMPER	PARE-CHOC	
2	4	506037	NYLON NUT M16 X 2	ECROU NYLON M16 X 2	
3	4	506076	HEX. BOLT M16 X 2 X 50mm CL8.8	BOULON HEX. M16 X 2 X 50mm CL8.8	
4	4	319877-1	LIGHT CONTOUR	LUMIERE CONTOUR	
5	2	319882	YELLOW LIGHT	LUMIERE JAUNE	
6	2	319883	RED LIGHT	LUMIERE ROUGE	
7	2	900563	REFLECTOR	RÉFLECTEUR	

24A - ADDITIONAL OUTPUT / SORTIE ADDITIONNELLE



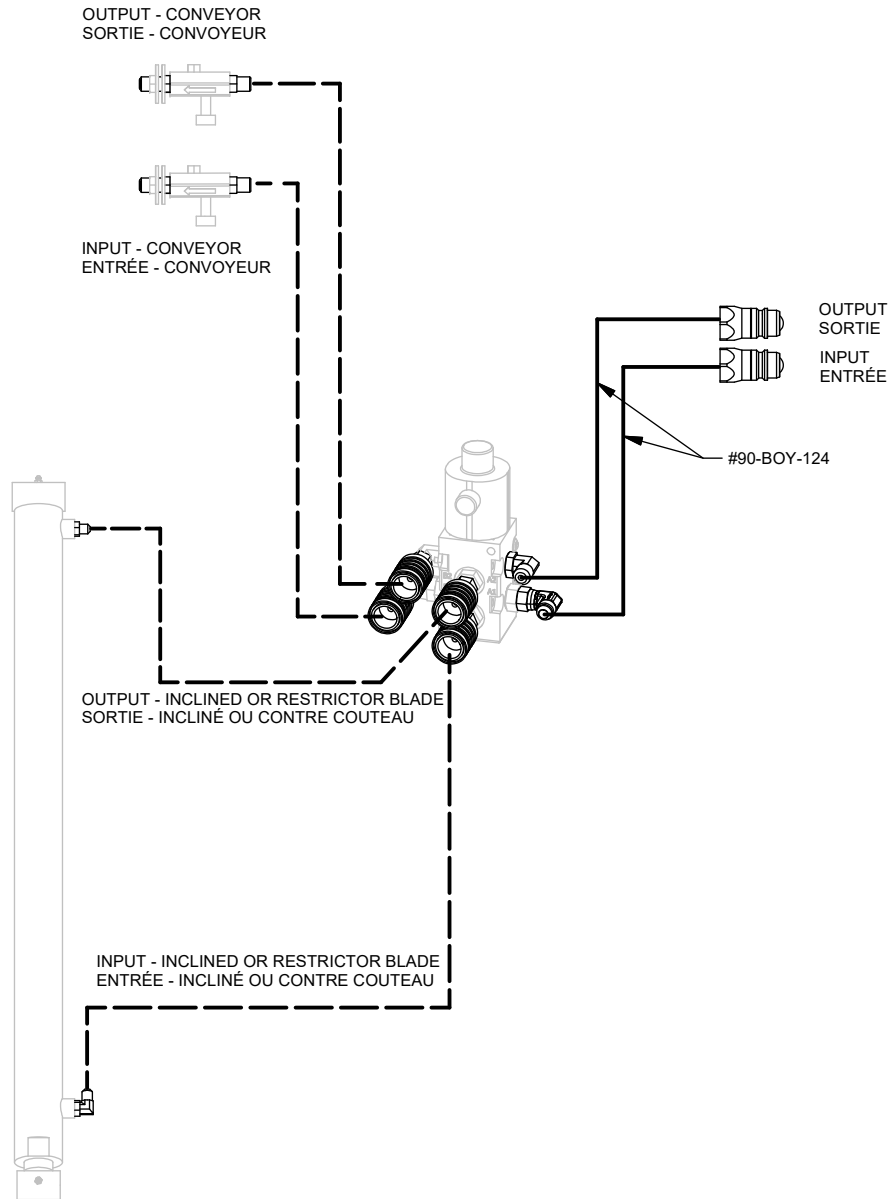
24A - ADDITIONAL OUTPUT / SORTIE ADDITIONNELLE



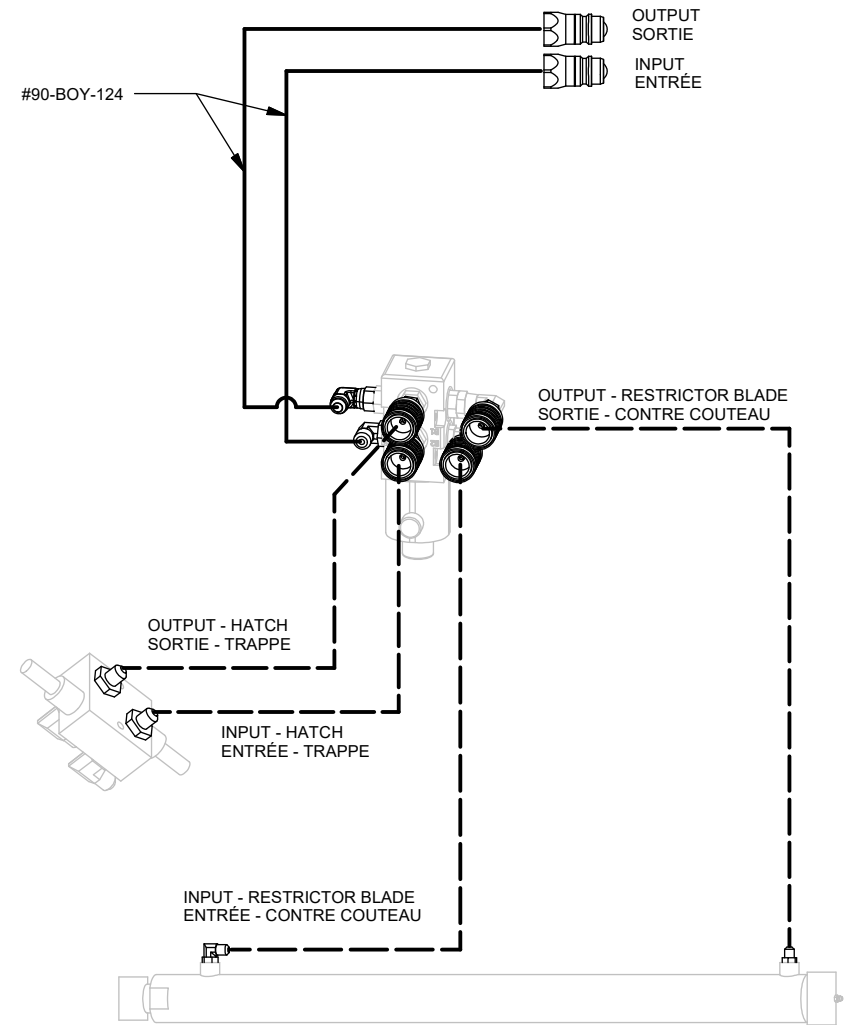
ITEM	QT	PART/PIECE	ENGLISH DESCRIPTION	DESCRIPTION FRANCAISE	NOTE
1	2	501031	HEX NYLON LOCKNUT GR5 5/16-18 Z	ÉCROU NYLON IND HEX GR5 5/16-18 Z	
2	2	500042	HEX BOLT GR5 5/16-18 X 3/4	BOULON HEX GR5 5/16-18 X 3/4	
3	1	091-HYD-AH	HOSE CLAMP PLATE	PLAQUE DE SUPPORT DE BOYAU	
4	3	470051	DOUBLE HOSE HOLDER 21.3mm (0.84")	SUPPORT BOYAU DOUBLE 21.3mm (0.84")	
5	1	234083	SELECTOR VALVE SUPPORT	ATTACHE VALVE SÉLECTRICE	
6	2	452000	HYDRAULIC FITTING	ADAPTEUR HYDRAULIQUE	
7	1	450381	8 F.NPSM - 8 M.NPT 90°	8 F.NPSM - 8 M.NPT 90°	
8	3	451097	10 M.ORB - 8 M.NPT	10 M.ORB - 8 M.NPT	
9	4	452001	QUICK COUPLER 1/2 F	RACCORD RAPIDE 1/2 F	
10	1	450164	10 M.ORB - 8 M.NPT 90°	10 M.ORB - 8 M.NPT 90°	
11	1	451266	8 M.JIC - 10 M.ORB 90°	8 M.JIC - 10 M.ORB 90°	
12	1	451179	8 M JIC - 10 M ORB	8 M JIC - 10 M ORB	
13	1	450955	5506-08-08	5506-08-08	
14	1	465930	HYDRAULIC VALVE	VALVE HYDRAULIQUE	
15	2	234186	SELECTOR VALVE SUPPORT	ATTACHE VALVE SÉLECTRICE	
16	2	500055	HEX BOLT GR5 5/16-18 X 2 1/2	BOULON HEX GR5 5/16-18 X 2 1/2	
17	2	501031	HEX NYLON LOCKNUT GR5 5/16-18 Z	ÉCROU NYLON IND HEX GR5 5/16-18 Z	
19	3	320009-3	PIPE CLAMP	SUPPORT BOYAU	
20	1	315278	DOUBLE SWITCH	INTERRUPTEUR DOUBLE	
21	1	315273	POWER EXTENSION CABLE	FIL RALLONGE D'ALIMENTATION	
22	1	240142	POWER SUPPLY 25 amp	PRISE DE COURANT 25 amp	

24B - ADDITIONAL OUTPUT / SORTIE ADDITIONNELLE

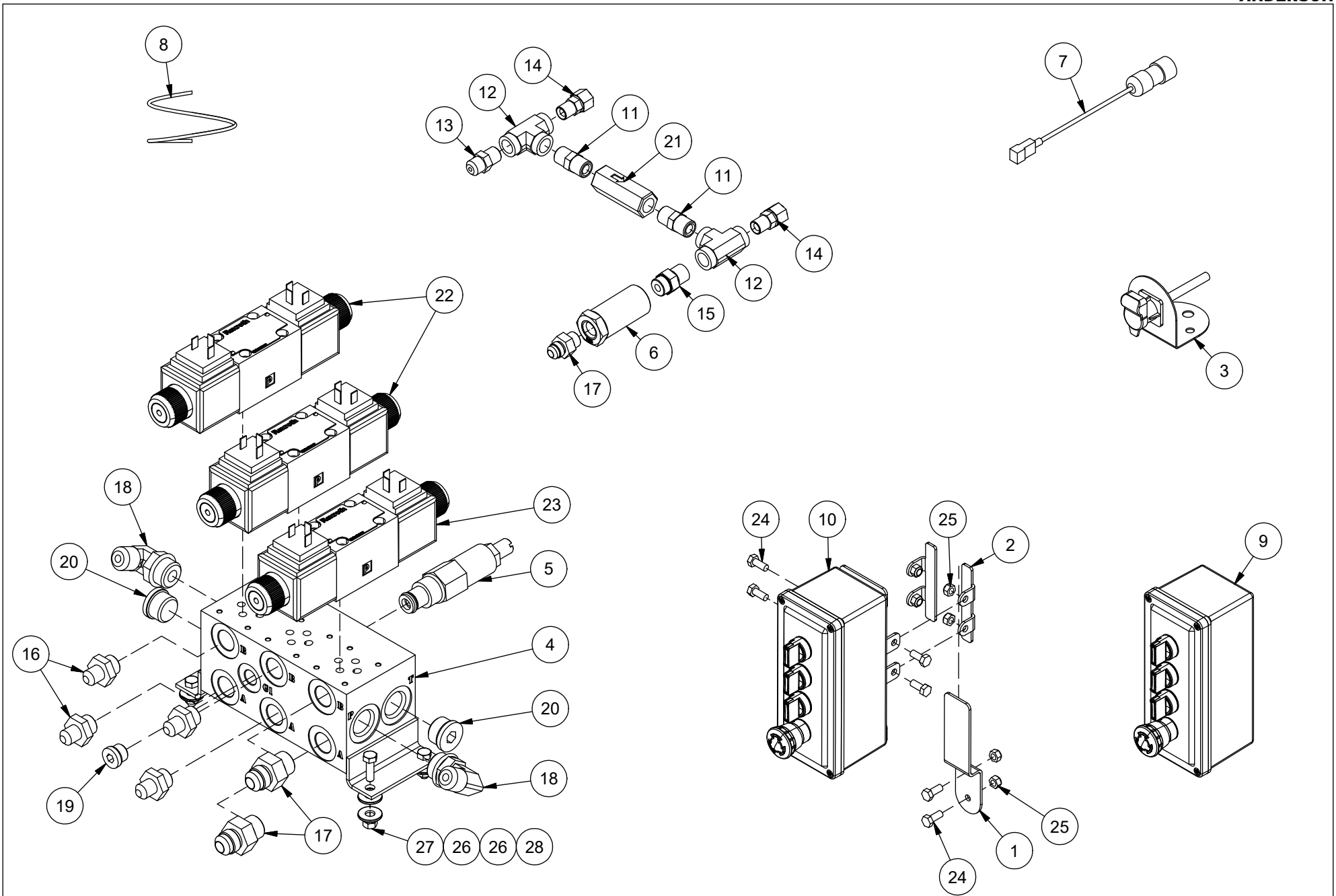
1 OUTPUT / 1 SORTIE



2 OUTPUTS / 2 SORTIES



25A - MANUAL HYDRAULIC CONTROL / COMMANDE HYDRAULIQUE MANUELLE

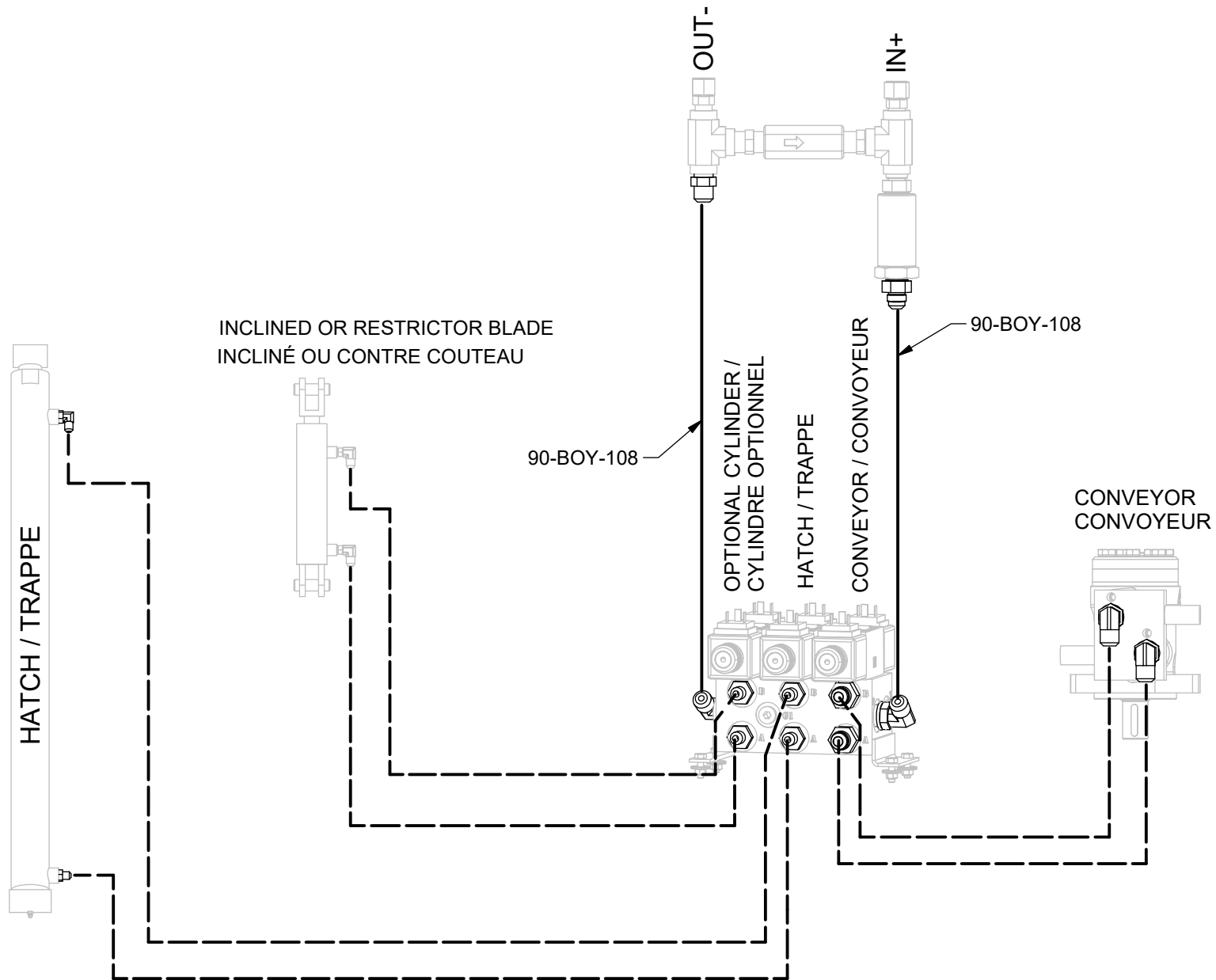


25A - MANUAL HYDRAULIC CONTROL / COMMANDE HYDRAULIQUE MANUELLE



ITEM	QT	PART/PIECE	ENGLISH DESCRIPTION	DESCRIPTION FRANCAISE	NOTE
1	1	234083	SELECTOR VALVE SUPPORT	ATTACHE VALVE SÉLECTRICE	
2	2	234186	SELECTOR VALVE SUPPORT	ATTACHE VALVE SÉLECTRICE	
3	1	240142	POWER SUPPLY 25 amp	PRISE DE COURANT 25 amp	
4	1	250021	VALVE MANIFOLD	BLOC VALVE	
5	1	250022	RELIEF VALVE	LIMITEUR DE PRESSION	
6	1	250025	FILTER HPJ 1666	FILTRE HPJ 1666	
7	1	315273	POWER EXTENSION CABLE	FIL RALLONGE D'ALIMENTATION	
8	1	315365	CONTROL CABLE	CABLE DE CONTROLE	
9	1	315366	CONTROLE BOX 4 HOLES	MANETTE DE CONTROLE 4 TROUES	
10	1	315367	CONTROL BOX 4 HOLES	MANETTE DE CONTROLE 4 TROUES	
11	2	450008	HYDRAULIC FITTING	ADAPTEUR HYDRAULIQUE	
12	2	450243	8 F.NPT	8 F.NPT	
13	1	450548	8 M JIC - 8 M NPT	8 M JIC - 8 M NPT	
14	2	450996	8 F.JIC - 8 M.NPT	8 F.JIC - 8 M.NPT	
15	1	451095	8 M.ORB -8 M.NPT	8 M.ORB -8 M.NPT	
16	4	451172	6 M JIC - 8 M ORB	6 M JIC - 8 M ORB	
17	3	451178	8 M.JIC - 8 M.ORB	8 M.JIC - 8 M.ORB	
18	2	451266	8 M.JIC - 10 M.ORB 90°	8 M.JIC - 10 M.ORB 90°	
19	1	451354	PLUG 6 M. ORB	PLUG 6 M. ORB	
20	2	451356	PLUG ORB 10	BOUCHON ORB 10	
21	1	465879	CHECK VALVE	VALVE ANTI-RETOUR	
22	2	466701	HYDRAULIC VALVE	VALVE HYDRAULIQUE	
23	1	466702	HYDRAULIC VALVE	VALVE HYDRAULIQUE	
24	6	500042	HEX BOLT GR5 5/16-18 X 3/4	BOULON HEX GR5 5/16-18 X 3/4	
25	6	501031	HEX NYLON LOCKNUT GR5 5/16-18 Z	ÉCROU NYLON IND HEX GR5 5/16-18 Z	
26	8	502002	FLAT WASHER 1/4 Z	RONDELLE PLATE 1/4 Z	
27	4	506050	HEX NUT M6 X 1	ECROU NYLON M6 X 1	
28	4	506124	HEX. BOLT M6 X 1 X 20mm CL8.8	BOULON HEX. M6 X 1 X 20mm CL8.8	

25B - MANUAL HYDRAULIC CONTROL / COMMANDE HYDRAULIQUE MANUELLE





ANDERSON



GROUPE ANDERSON

5125 de la Plaisance
Chesterville (Québec)
CANADA G0P 1J0

Email : support@grpanderson.com
Tel. : 1-819-382-2952
Fax. : 1-819-382-2218
www.grpanderson.com