



PARTS BREAKDOWN

2" TRASH PUMP

MODEL:TP-2065HR



BEPOWEREQUIPMENT

.COM

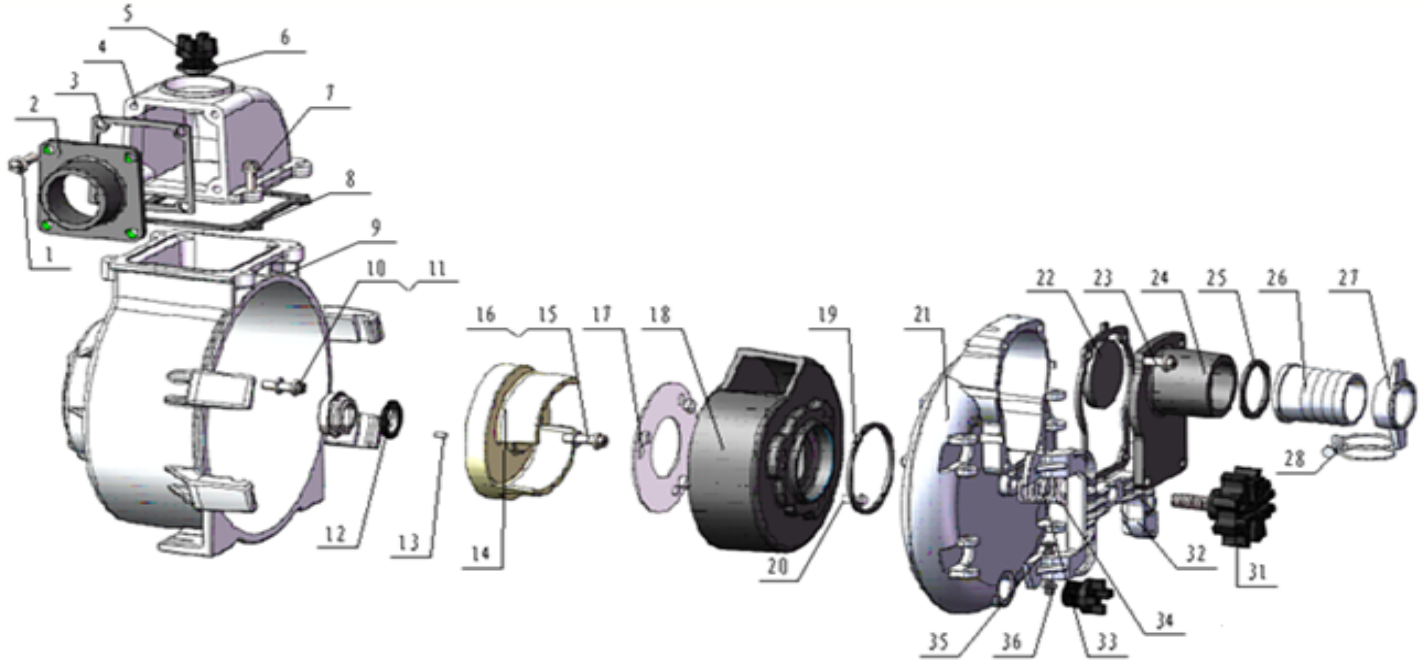


PARTS BREAKDOWN

2" TRASH PUMP

MODEL:TP-2065HR

PUMP ASSEMBLY



REF #	DESCRIPTION	QTY	BE PART #
1-4,7-8,22-24	Inlet/Outlet Kit	1	90155001BE
3,8,12,19,25	Seal Kit	1	90155002BE
5-6,33-34	Plugs and O-ring	2	90155003BE
9	Pump Body	1	90155004BE
14	Impeller	1	90155005BE
17-19	Whorl Case Kit	1	90155006BE
21	Pump Casing	1	90155007BE
25-28	Wire Lock Clamp Kit	1	90155008BE
32	Pump Casing Spring Plate	2	90155009BE
31,33-36	Spring Plate Hardware	1	90155010BE
1	M8*20	4	90155011BE
7	M8*20	4	
23	M8*20	4	
15	M8*25 Engine Mount Bolts	1	
16	Washer	1	
20	M6*16 Bolts	6	
27	Nut	2	
10	M8*30 Engine Mount Bolts	4	
11	Washer	4	
13	4.78*4.8*12 Key	1	

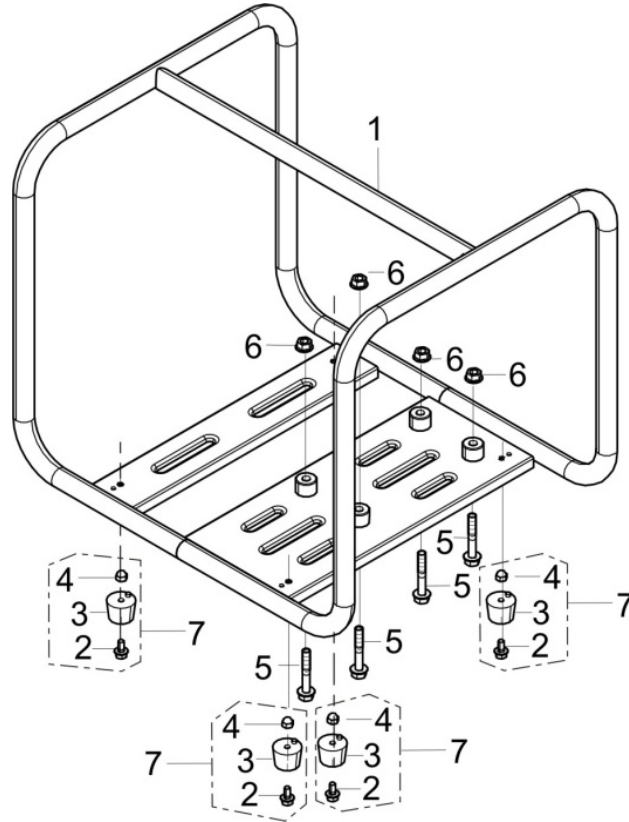


PARTS BREAKDOWN

2" TRASH PUMP

MODEL:TP-2065HR

FRAME ASSEMBLY



REF #	DESCRIPTION	QTY	BE PART #
2	Bolt	4	50.002.205
3	Engine Frame Shock Absorption Seat	4	
4	Acorn Nut	4	

***CHECK WITH HONDA FOR ENGINE BREAKDOWN AND PARTS**

BE

POWER EQUIPMENT

If you need technical assistance call:

1-866-850-6662

(8:00am - 4:30pm PST, Mon - Fri)