

Kubota®



KUBOTA ULTRA-COMPACT EXCAVATOR

K

K008-3

Spacious, comfortable, and more productive, yet it fits in the tightest spaces. The K008-3 sets the standard for all ultra-compact excavators.



T4
TIER

Kubota raises the bar again with the spacious K008-3 ultra-compact excavator.

For sheer productivity, no other ultra-compact excavator measures up to the K008-3. By upgrading it in the essential areas of performance, durability, serviceability, and comfort, the spacious K008-3 outperforms the competitors in a wide range of construction and building work.

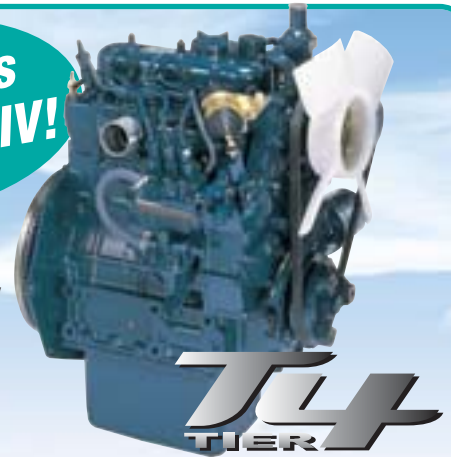


K008-3

Clean-running Kubota Engine

Complies with Tier IV!

Powerful and dependable, the K008-3's diesel engine delivers superior horsepower and performance. It offers low noise and vibration levels, exceptional fuel efficiency, and complies with the EPA's 2008 Tier IV emissions regulations.



TPSS

Allows the operator to choose either ISO or SAE control patterns. Requires approximately 5 minutes to make the minor mechanical change.



Handy toolbox

To help you perform basic maintenance, the K008-3 comes complete with a toolbox conveniently located under the operator's seat.



Straight wall trenching

Equipped with a swing angle of up to 60 degrees, the K008-3 lets you dig a straight trench along any wall.

Protected bucket hoses

By running inside the dipper arm, the bucket hoses are also well protected from damage.

Foldable ROPS

Rollover Protective Structure provides you with an extra measure of safety. It folds down to make easier transporting and storage of the excavator.



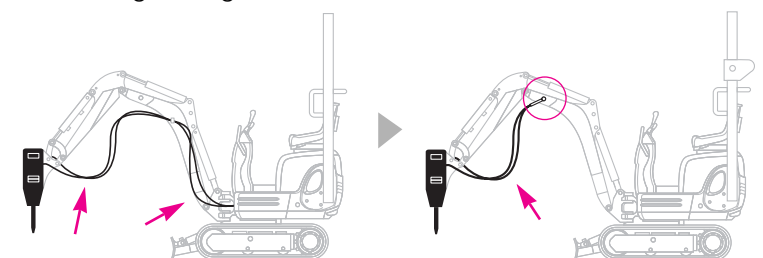
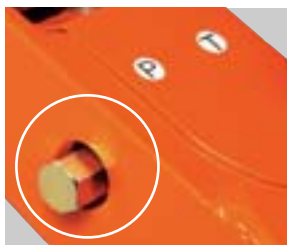
Improved hose and boom cylinder protection

All the hydraulic hoses hidden within in the boom and dipper arm. With the cylinder mounted on top of the boom, the K008-3 increases service life by offering outstanding protection from damage.

With increased space in the operator's area, you'll get the job done faster and in comfort.

Protected auxiliary hoses

By routing its auxiliary hydraulic hoses through the boom, the K008-3 no longer requires lengthy hoses when connecting your implements. Furthermore, a shorter hose length greatly reduces the risk of snagging and causing damage.



K008-3

Two-speed travel

Need to make up time? Step on the K008-3's hi-speed pedal, and you'll maneuver around job sites faster than any other compact excavator in its class.



Two-way lever

Located within easy reach, it lets you switch between control of the blade or the adjustable track width.



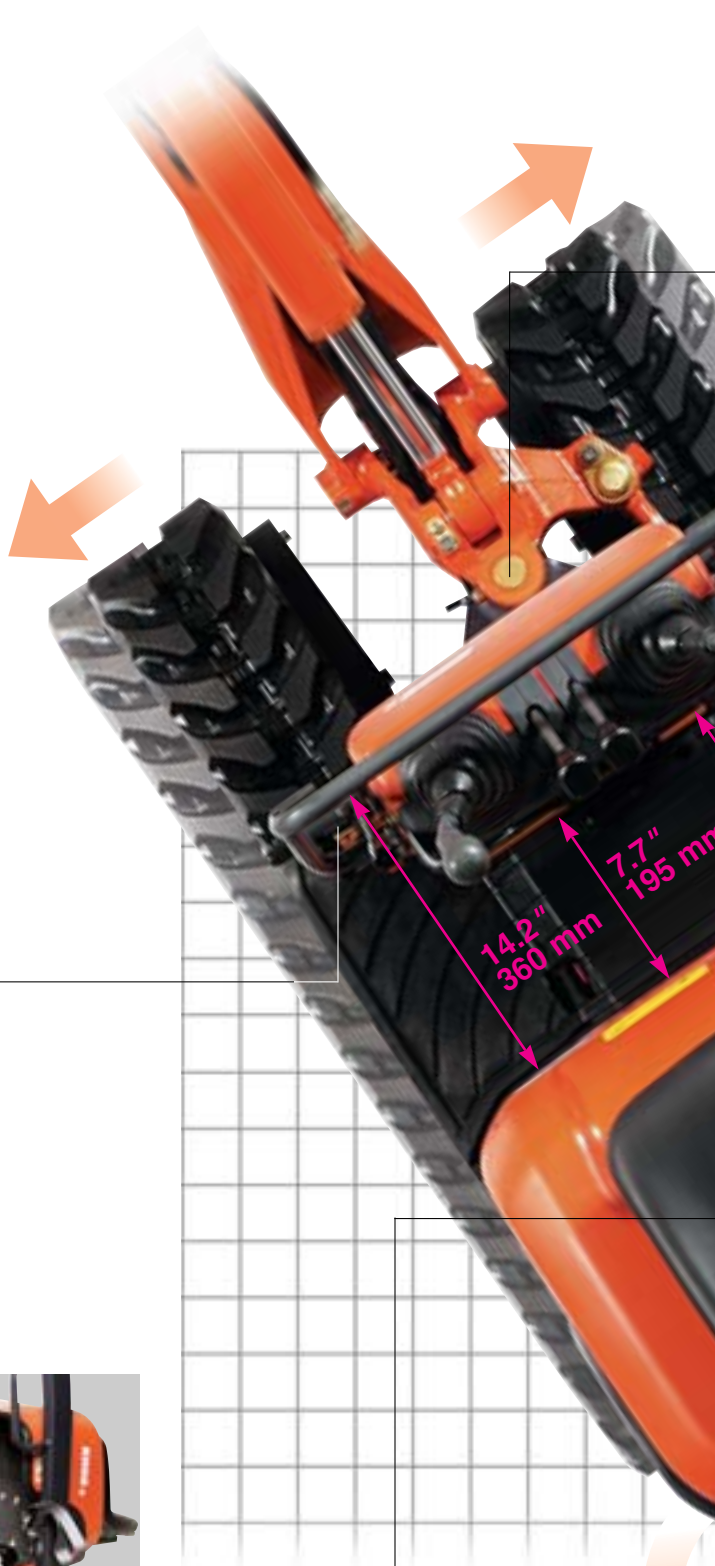
Fast and easy maintenance

A full-open bonnet and new engine layout makes daily inspection and maintenance of essential components a snap. Both features now provide you with easy access to the radiator, battery, coolant, fuel filter, and dual-element air-cleaner.



Comfortable operator's seat

Well padded and contoured, you'll truly appreciate the comfort of its operator's seat, especially during long days of operation.



14.2" 360 mm
7.7" 195 mm

WORKING PERFORMANCE



Swing bracket pin bushings

To increase life of components, swing bracket pins have bushings.

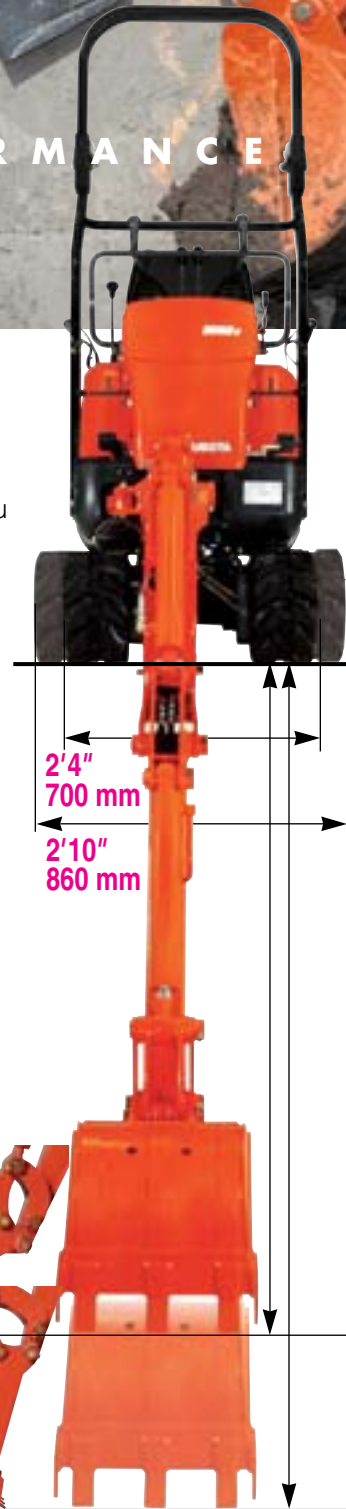
Spacious operator's area

You'll find it more comfortable behind the operating levers of the K008-3. That's because we've generously increased the space between the operating levers and the operator's seat, and lengthened the floorboards.



Pedal-operated boom swing

A convenient toe-heel pedal lets you easily operate the boom swing.



Wider working range

For maximum productivity, its digging/dumping heights, digging depths, and digging radius at ground level have all been increased.

4'6" 1,375 mm

5'8" 1,715 mm

Adjustable width track frame

To enable passage through narrow spaces such as doorways and gates, the adjustable width track frame can reduce the K008-3's track width down to 700 mm by simply operating a single lever. Plus, changing the blade width is as easy as removing one pin by hand.

Reliable Kubota E-TVCS engine

Super dependable and efficient, the combustion created by our engine's unique Three Vortex Combustion System reduces exhaust emission, noise, and vibration.



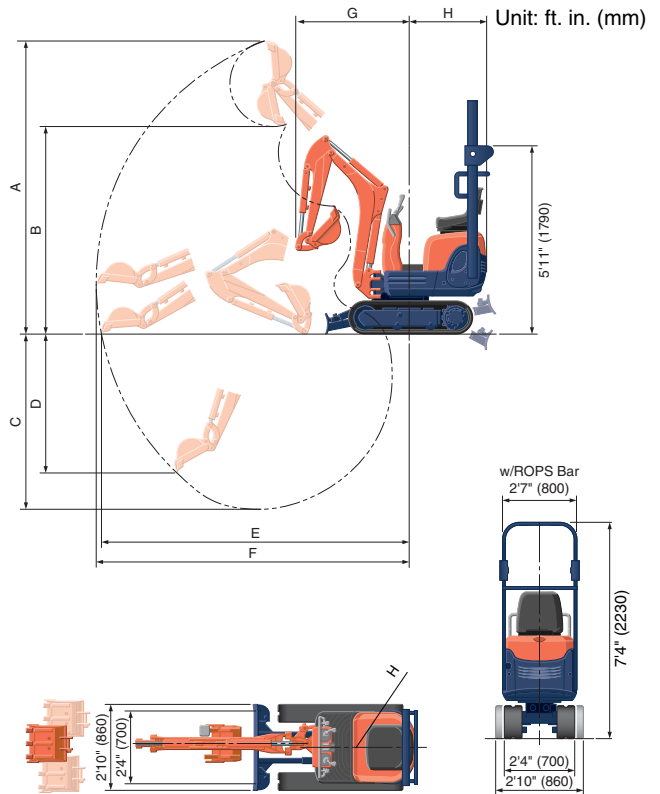
KUBOTA ULTRA-COMPACT EXCAVATOR

SPECIFICATIONS

Model		K008-3		
Type of tracks		Rubber		
Engine	Model	Kubota D722-E3		
	Output (SAEJ 1995 gross)	HP (kW)/rpm	10.3 (7.7) / 2050	
	Output (SAEJ 1349 net)	HP (kW)/rpm	10.1 (7.5) / 2050	
	Displacement	cu.in. (cc)	44 (719)	
Dimensions	Overall length	ft.in. (mm)	9'0" (2750)	
	Overall height	ft.in. (mm)	7'4" (2230)	
	Overall width	ft.in. (mm)	2'10" (860) / 2'4" (700)	
	Min. ground clearance	in. (mm)	5.9" (150)	
Hydraulic system	Pump capacity	gpm. (l/min)	5.55 (21.0)	
	Auxiliary hydraulic flow	gpm. (l/min)	5.55 (21.0)	
	Max. breakout force	Bucket	lbs. (kgf)	2200 (1000)
		Arm	lbs. (kgf)	1010 (460)
Drive system	Travel speed	mph (km/h)	1.2 / 2.5 (2.0 / 4.0)	
	Max. traction force	lbs. (kgf)	1695 (770)	
	Tumbler distance	ft.in. (mm)	2'11" (900)	
	Crawler length	ft.in. (mm)	4'0" (1230)	
	Shoe width	in. (mm)	7.1" (180)	
	Ground contact pressure	psi (kgf/cm ²)	3.55 (0.25)	
Swing system	Unit swing speed	rpm	8.3	
	Boom swing angle	Left	degree	55
Right		degree	60	
Blade	Dimensions	Width	in. (mm)	2'4" / 2'10" (700 / 860)
		Height	in. (mm)	7.9" (200)
	Max. lift above ground	in. (mm)	7.9" (200)	
	Max. drop below ground	in. (mm)	7.1" (180)	
Hydraulic oil (reservoir/system)	gpm. (l/min)	3.30 / 4.49 (12.5 / 17.0)		
Fuel reservoir	gpm. (l/min)	3.17 (12.0)		
Operating weight				
Including operator's weight 175 lbs.		lbs. (kgf)	2200 (1000)	

*Specifications are subject to change without notice for purpose of improvement.

DIMENSIONS



LIFTING CAPACITY

LIFT POINT HEIGHT (ft)	LIFTING CAPACITY OVER-FRONT BLADE DOWN unit=1000 lbs				LIFTING CAPACITY OVER-FRONT BLADE UP unit=1000 lbs				LIFTING CAPACITY OVER-SIDE unit=1000 lbs				
	LIFT POINT RADIUS (ft)				LIFT POINT RADIUS (ft)				LIFT POINT RADIUS (ft)				
	4	6	8	MAX	4	6	8	MAX	4	6	8	MAX	
6	-	0.45	-	-	-	0.45	-	-	-	0.38	-	-	
4	-	0.51	0.46	0.45	-	0.46	0.29	0.27	-	0.37	0.23	0.22	
2	1.20	0.66	0.47	0.41	0.79	0.43	0.28	0.24	0.62	0.35	0.22	0.20	
GL	0	1.22	0.68	0.43	0.37	0.72	0.40	0.27	0.24	0.56	0.32	0.21	0.20

Machine with ROPS canopy and rubber crawler, without bucket



Hydraulic Hammer
(Optional Attachment)

WORKING RANGE

A	Max. digging height	ft.in. (mm)	9'5" (2870)	
B	Max. dumping height	ft.in. (mm)	6'8" (2035)	
C	Max. digging depth	ft.in. (mm)	5'8" (1715)	
D	Max. vertical digging depth	ft.in. (mm)	4'6" (1375)	
E	Max. digging radius @ ground	ft.in. (mm)	9'11" (3025)	
F	Max. digging radius	ft.in. (mm)	10'1" (3075)	
G	Min. turning radius	W/o swing	ft.in. (mm)	3'8" (1120)
		With swing	ft.in. (mm)	3'2" (955)
H	Min. tail turning radius	ft.in. (mm)	2'6" (750)	

The company reserves the right to change the above specifications without notice. This brochure is for descriptive purpose only. Please contact your local Kubota dealer for warranty information. For your safety, Kubota strongly recommends the use of a Rollover Protective structure (ROPS) and seat belt for almost all applications.

©2008 Kubota Corporation

Kubota

KUBOTA CANADA LTD.

Head Office: 5900 14th Avenue, Markham, Ontario L3S 4K4 TEL: (905) 294-7477 FAX: (905) 294-6651
Delta Distribution Centre: 7979 82nd Street, Delta, B.C. V4G 1L7 TEL: (604) 940-6061 FAX: (604) 940-6067
Drummondville Distribution Office: 5705 Place Kubota, Drummondville, PQ, J2B 6V4 TEL: (819) 478-7151 FAX: (819) 478-7836

Visit our web site at: www.kubota.ca

