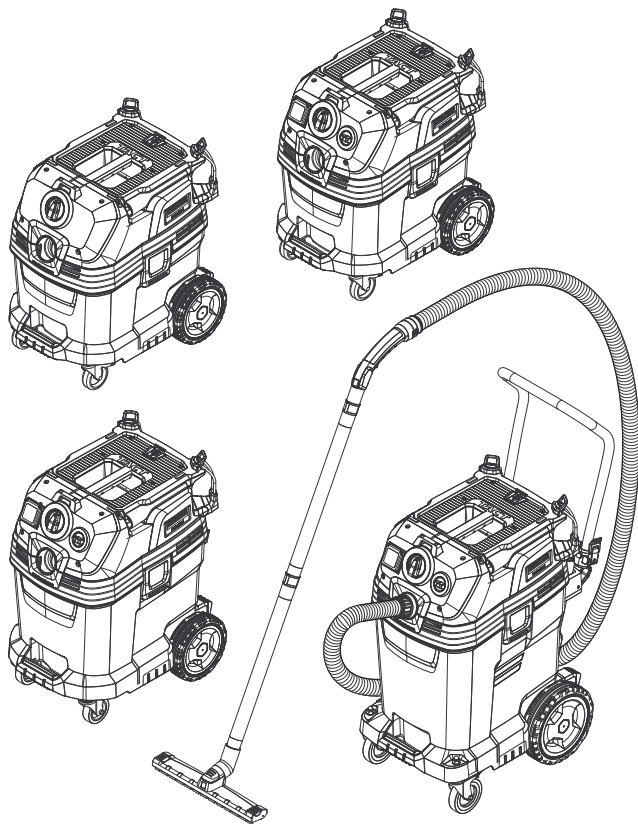


KÄRCHER

makes a difference

NT 30/1 Tact, NT 30/1 Tact Te
NT 40/1 Tact, NT 40/1 Tact Te
NT 50/1 Tact, NT 50/1 Tact Te

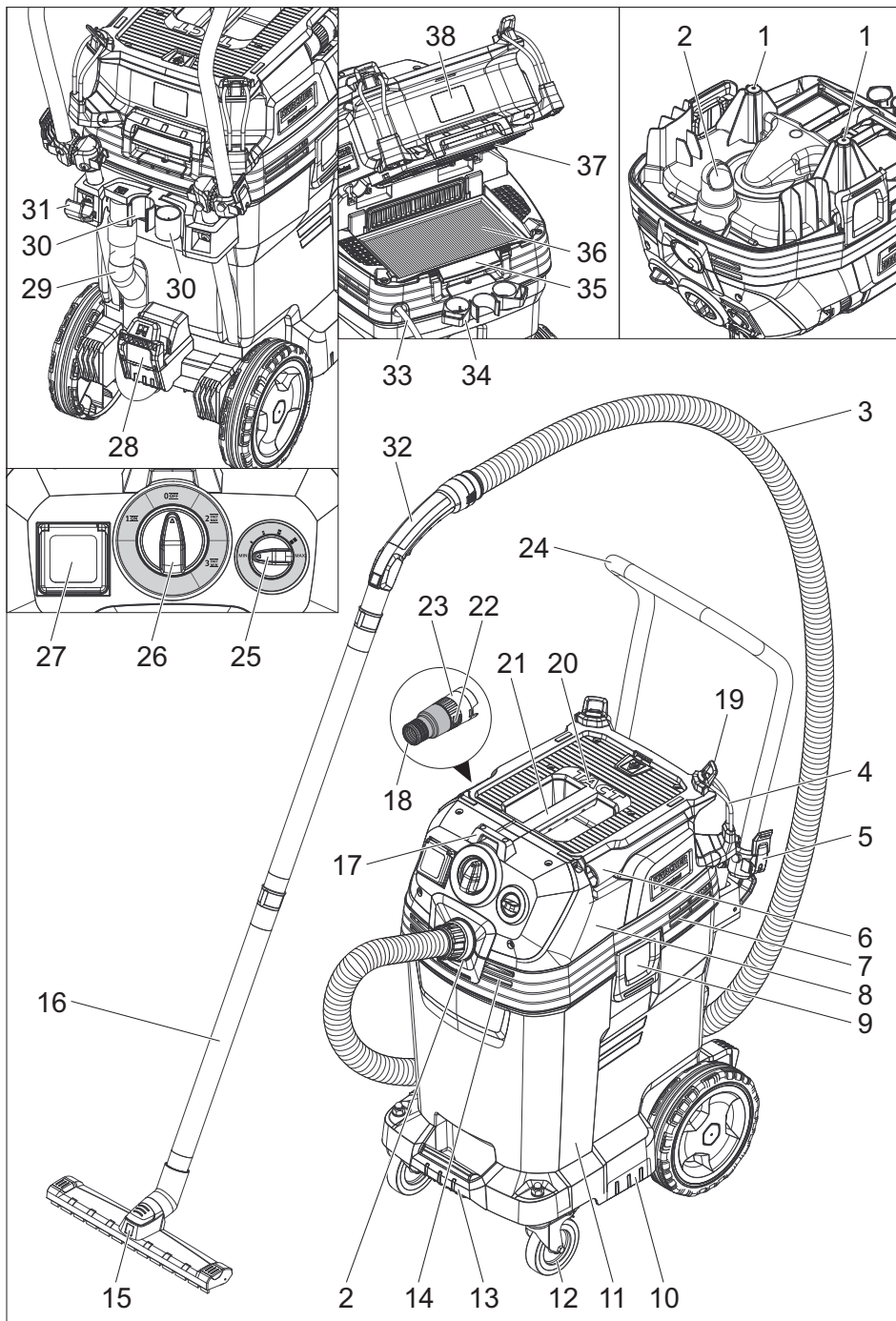
English	6
Français	16
Español	26

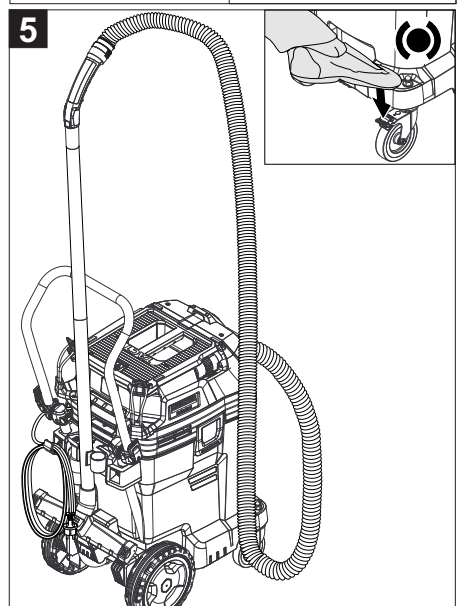
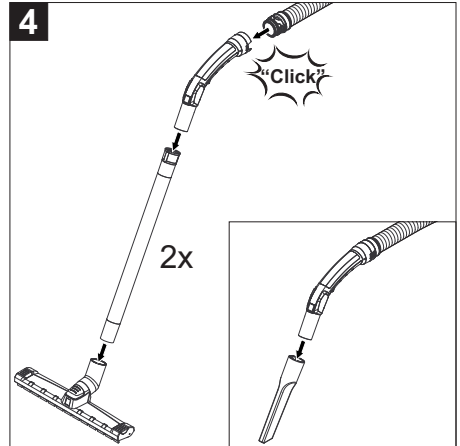
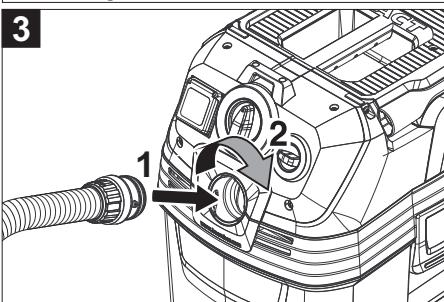
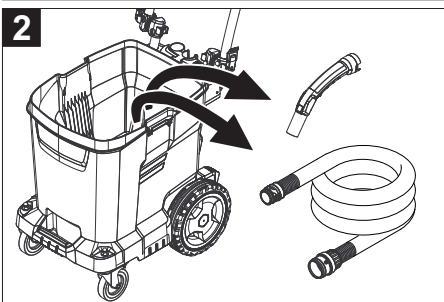
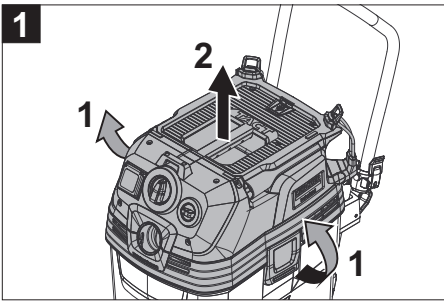
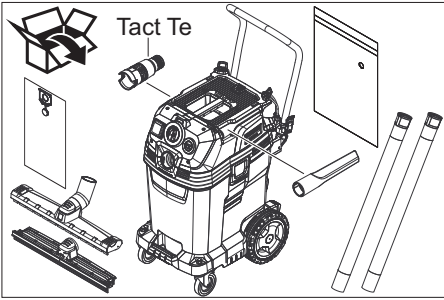


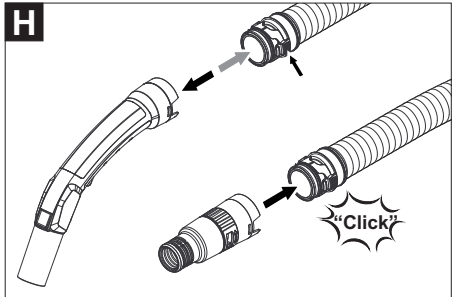
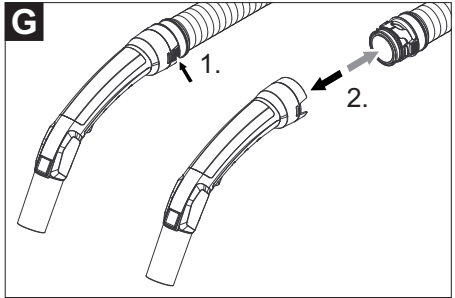
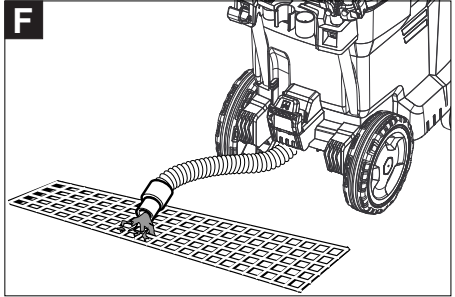
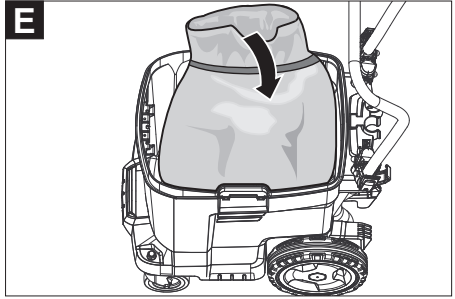
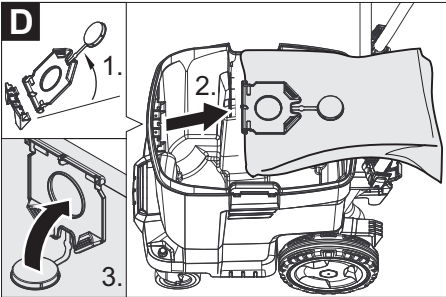
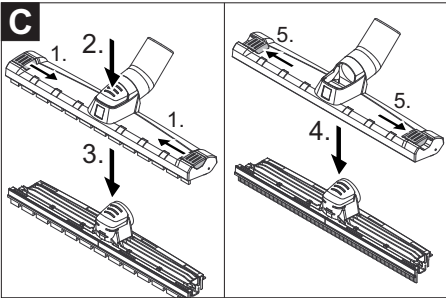
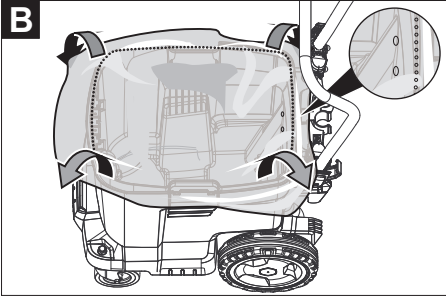
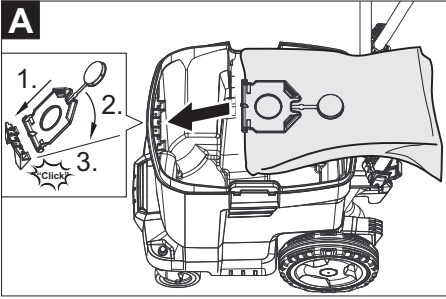
Register and win!
www.kärcher.com/register-and-win

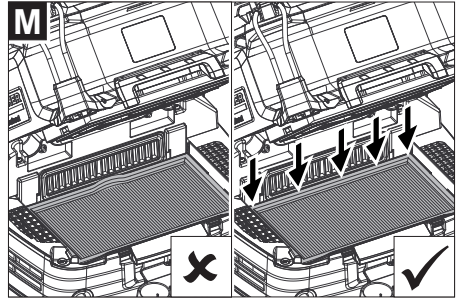
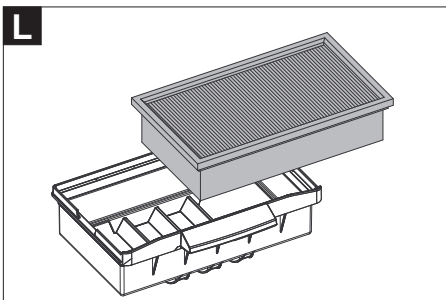
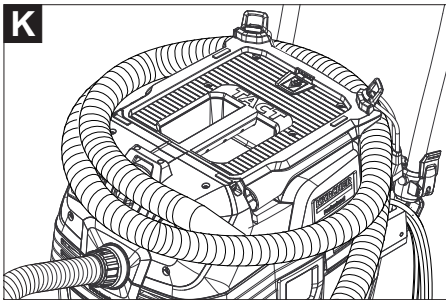
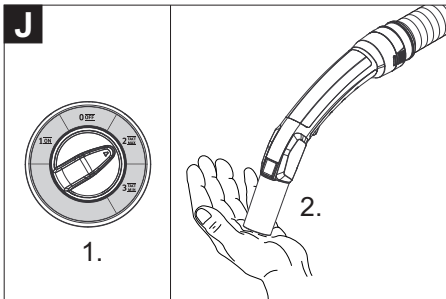
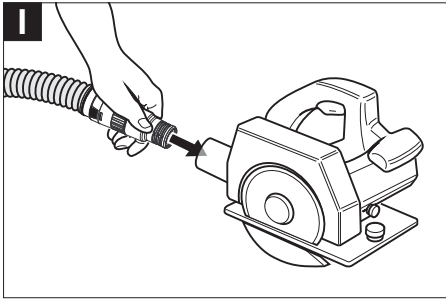


59678610 11/17









IMPORTANT SAFETY INSTRUCTIONS

READ ALL INSTRUCTIONS BEFORE USING THIS MACHINE

- Inform your dealer immediately if there is any shipping damage.
- Completely remove the accessories from the box.
- The suction unit is not suitable for sucking up hazardous dusts as asbestos. Please consult your Kärcher branch or your Kärcher dealer with regard to such applications.
- Only operate the vacuum from a grounded outlet. Refer to the Technical data for the necessary main fuse.
- Connect to a properly grounded outlet only. See Grounding Instructions.

When using an electrical machine, basic precautions should always be followed, including the following: This vacuum is intended for commercial use.

- 1 DISCONNECT VACUUM CLEANER FROM POWER CIRCUIT before removing the cover, performing maintenance work, and when not in use.
- 2 DO NOT LEAVE the machine unattended when plugged in.
- 3 ALWAYS CHECK THE POWER SUPPLY CORD for damage or signs of any aging before each use.
- 4 DO NOT PULL OR CARRY VACUUM CLEANER BY CORD. Do not close door on cord or pull cord around sharp edges.
- 5 KEEP CORD AWAY FROM HEAT AND OIL. Do not leave cord lying around after job is complete. It can become a tripping hazard.
- 6 DO NOT RUN VACUUM OVER CORD.
- 7 TURN SWITCH TO OFF before unplugging power supply cord.
- 8 DO NOT UNPLUG BY PULLING CORD. To unplug, grasp plug, not cord.
- 9 DO NOT GRASP PLUG WITH WET HANDS.

- 10 A DAMAGED CORD OR PLUG should only be replaced by an authorized service center representative. DO NOT ATTEMPT TO REPAIR POWER CORD.
- 11 TO AVOID SHOCK, do not expose to rain. Store indoors.
- 12 USE ONLY AS RECOMMENDED BY THIS MANUAL. Use only with recommended attachments.
- 13 KEEP HAIR, CLOTHING, LOOSE JEWELRY, FINGERS and all parts of the body away from openings and moving parts.
- 14 DO NOT BLOCK OR OBSTRUCT OPENINGS. Keep openings free of lint, hair, dust, and anything that restricts air flow.
- 15 DO NOT PICK UP ANYTHING THAT IS BURNING, smoldering, or smoking such as matches, cigarettes, or hot ashes.
- 16 DO NOT USE TO VACUUM COMBUSTIBLE EXPLOSIVE MATERIALS, such as coal, grain, and other finely divided combustible material.
- 17 DO NOT USE TO VACUUM COMBUSTIBLE, hazardous, toxic, or carcinogenic materials, including gasoline, diesel fuel, acetone, paint thinner, heating oils, undiluted acids and solvents, pesticide, and asbestos.
- 18 USE RECOMMENDED FILTERS when vacuuming drywall materials.
- 19 DO NOT USE WITHOUT FILTER and/or dust bag in proper place.
- 20 CONNECT VACUUM CLEANER WITH PROPERLY GROUNDED OUTLET ONLY. See grounding instructions.
- 21 DO NOT ALLOW VACUUM CLEANER TO BE USED AS A TOY. Keep children away from Vacuum Cleaner.
- 22 DO NOT LEAVE UNATTENDED while Vacuum Cleaner is running.

- 23 DO NOT USE IF CORD, PLUG, FILTER, OR VACUUM CLEANER IS IN POOR CONDITION. If the Vacuum Cleaner has been dropped, damaged, exposed to weather, or dropped into water; have it checked by an authorized service.
- 24 ALWAYS USE EYE PROTECTION when operating Vacuum Cleaner.
- 25 USE EXTRA CAUTION when operating on stairs.
- 26 STAY ALERT! Do not use Vacuum Cleaner when you are tired or under the influence of drugs, alcohol or medication.

SAVE THESE INSTRUCTIONS

This vacuum is intended for commercial use.

SAFETY INSTRUCTIONS

GROUNDING INSTRUCTIONS

- This appliance must be grounded. If it should malfunction or break down, grounding provides a path of least resistance for electric current to reduce the risk of electric shock.
- This appliance is equipped with a cord having an equipment grounding conductor and ground plug.
- The plug must be inserted into an appropriate outlet that is properly installed and grounded in accordance with all local codes and ordinances.

WARNING:

- Improper connection of the equipment-grounding conductor can result in a risk of electric shock.
- Check with a qualified electrician or service person if you are in doubt as to whether the outlet is properly grounded.
- Do not modify the plug provided with the appliance.
- If it will not fit the outlet, have a proper outlet installed by a qualified electrician.
- This appliance is for use on a nominal 120-volt circuit, and has a grounded plug that looks like the plug illustrated in Fig.A.
- A temporary adapter that looks like the adapter illustrated in Fig.B, may be used to connect this plug to a two-pole receptacle as shown in Fig.B, if a properly grounded outlet is not available.
- The temporary adapter should be used only until a properly grounded outlet (Fig.A) is installed by a qualified electrician.
- The green colored rigid ear, lug, or the like extending from the adapter must be connected to a permanent ground such as a properly grounded outlet box cover.
- Whenever the adapter is used, it must be held in place by a metal screw.

IN ALL CASES, MAKE SURE THE RECEPTACLE IN QUESTION IS PROPERLY GROUNDED.

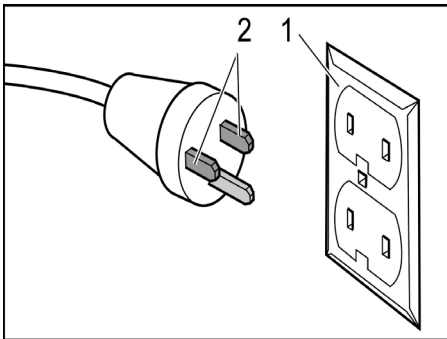
NEVER REMOVE GROUNDING PRONG FROM POWER PLUG.

EXTENSION CORDS

Use only three-wire extension cords that have three-prong grounding-type plugs and three-pole receptacle that accepts the appliance's plug. Replace damaged or worn cord immediately.

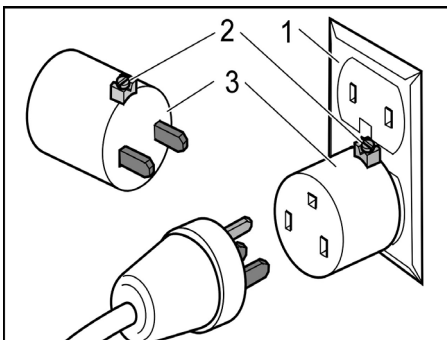
DO NOT ATTEMPT TO REPAIR POWER CORD.

Figure A



- 1 Grounded outlet box
 - 2 Current carrying prongs
- Grounding prong is longest of the 3 prongs

Figure B



- 1 Grounded outlet box
- 2 Grounding means
- 3 Adapter

Note: In Canada, the use of a temporary adapter is not permitted by the Canadian Electrical Code.

Servicing of double-insulated machines

In a double-insulated machine, two systems of insulation are provided instead of grounding. No grounding means is provided on a double-insulated machine, nor should a means for grounding be added to the machine. Servicing a double-insulated machine requires extreme care and knowledge of the system, and should be done only by qualified service personnel. Replacement parts for a double-insulated machine must be identical to the parts they replace.



Please read and comply with these original instructions prior to the initial operation of your appliance and store them for later use or subsequent owners.

- The non-compliance of the operating and safety instructions may lead to damages of the appliance and to dangers for the operator and other persons.
- In case of transport damage inform vendor immediately.

Contents

Environmental protection	EN	1
Danger or hazard levels	EN	1
Proper use	EN	1
Device elements	EN	2
Start up	EN	2
Operation	EN	3
Transport.	EN	4
Storage	EN	4
Care and maintenance	EN	4
Troubleshooting	EN	5
Warranty	EN	6
Accessories and Spare Parts . .	EN	6
Technical specifications	EN	7

Environmental protection



The packaging material can be recycled. Please do not throw the packaging material into household waste; please send it for recycling.



Old appliances contain valuable materials that can be recycled; these should be sent for recycling. Batteries, oil, and similar substances must not enter the environment. Please dispose of your old appliances using appropriate collection systems.

Notes about the ingredients (REACH)

You will find current information about the ingredients at:

www.kaercher.com/REACH

Danger or hazard levels

⚠ DANGER

Pointer to immediate danger, which leads to severe injuries or death.

⚠ WARNING

Pointer to a possibly dangerous situation, which can lead to severe injuries or death.

⚠ CAUTION

Pointer to a possibly dangerous situation, which can lead to minor injuries.

ATTENTION

Pointer to a possibly dangerous situation, which can lead to property damage.

Proper use

⚠ WARNING

The appliance is not suitable for vacuuming dust which endangers health.

- The machine is meant for dry and wet cleaning of floors and walls.
- This appliance is suited for the commercial use, e.g. in hotels, schools, hospitals, factories, shops, offices, and rental companies.

Device elements

- 1 Electrodes
- 2 Suction support
- 3 Suction hose
- 4 Hose hook
- 5 Push handle lock (NT 50/1 only)
- 6 Crevice nozzle
- 7 Air outlet, working air
- 8 Suction head
- 9 Suction head lock
- 10 Recessed grip
- 11 Dirt receptacle
- 12 Steering roller
- 13 Handle
- 14 Air inlet, motor cooling air
- 15 Floor nozzle
- 16 Suction tube
- 17 Stop for tool box
- 18 Rubber sleeve, screwable
- 19 Fixing eyelet
- 20 Filter cover
- 21 Carrying handle
- 22 Suction force regulator (continuous)
- 23 Tool adapter (Tact Te only)
- 24 Push handle (NT 50/1 only)
- 25 Rotary switch for suction output (min-max) (Tact Te only)
- 26 Rotating knob
- 27 Socket (Tact Te only)
- 28 Floor nozzle holder
- 29 Drain hose (NT 50/1 only)
- 30 Holder for suction pipe
- 31 Cable hook (NT 50/1 only)
- 32 Bender
- 33 Power cord
- 34 Bender holder (NT 30/1, NT 40/1 only)
- 35 Filter frame
- 36 Flat fold filter (PES)
- 37 Filter dedusting
- 38 Nameplate

Start up

ATTENTION

The flat pleated filter must always be in place while vacuuming.

Anti-static system

Static charge is deflected by providing earthing to the connection nozzles. This prevents the formation of sparks and current shocks due to attachments (option) with electrical conductivity.

Dry vacuum cleaning

- When vacuuming fine dust, a fleece filter or dust bag can also be used.

Install fleece filter bag

Illustration **A**

- Release and remove the suction head.
- Insert the fleece filter bag.
- Insert and lock the suction head.

Installing the dust disposal bag

Illustration **B**

- Release and remove the suction head.
- Insert the disposal bag.
- Pull disposal bag over the container.
Make sure that the marking line is situated within the container and both ventilation holes are positioned at the back of the container.
- Insert and lock the suction head.

Wet vacuum cleaning

Inserting the rubber lips

Illustration **C**

- Remove the brush strips.
- Install the rubber lips.

Remove the fleece filter bag

Illustration **D**

- Release and remove the suction head.
- Pull out the fleece filter bag on the flange towards the top.
- Tightly close the fleece filter bag with lock cap.
- Insert and lock the suction head.
- To suck wet dirt, first remove the fleece filter bag.


Removing the dust disposal bag

Illustration 

- Release and remove the suction head.
- Put the disposal bag over.
- Tightly close the disposal bag with cable tie underneath the opening.
- Remove disposal bag.
- Insert and lock the suction head.
- To suck wet dirt, always remove the disposal bag.

Drain off dirt water

NT 50/1 only:

Illustration 

- Drain off dirty water through the drainage hose.

General

- If wet dirt is vacuumed with the upholstery or crevice nozzle, or if water is sucked up from a container, it is recommended to deactivate the "automatic filter cleaning" function.
- If the maximum liquid level is reached the appliance will turn off automatically.
- **In case of non-conductive liquids (such as emulsion drilling fluids, oils, and greases) the appliance is not turned off when the container is full. The filling level must be continuously monitored and the container must be emptied in time.**
- After the wet vacuuming: Clean the flat folded filter with the filter cleaning. Clean the electrodes with a brush. Clean the container with a damp rag and dry it.

Clip connection

Illustration 

The suction hose is equipped with a clip system. All accessories with a nominal width of 1.38 in (35 mm) can be connected.

Operation

Rotating knob

0 OFF	Appliance OFF
1 ON	Appliance ON Automatic filter cleaning: OFF
2 TACT MAX	Appliance ON Automatic filter cleaning: maximum interval
3 TACT MIN	Appliance ON Automatic filter cleaning: minimum interval

Turning on the Appliance

- Plug in the mains plug.
- Set the rotary switch to the desired program.

Adjust the suction output

Only for appliances with built-in socket:

- Set the suction output (min - max) at the rotary switch.

Working with electrical power tools

Only for appliances with built-in socket:

⚠ DANGER

Risk of injury and damage! The socket outlet is only for the connection of power tools to the vacuum cleaner. Any other use of the socket outlet is not permitted.

- Connect the mains plug of the electric power tool to the vacuum cleaner. The vacuum cleaner is in standby mode.
- Switch on the appliance at the rotating knob.

Note: The vacuum cleaner is turned on and off automatically with the electric power tool.

Note: The vacuum cleaner starts automatically within 0.5 seconds and continues to run for 15 seconds after the power tool has been switched off.

Note: Please refer to "Technical specifications" for the power connection specifications of the power tools.

Illustration

- Remove the elbow from the suction hose.
- Attach the tool adapter to the suction hose.

Illustration

- Connect the tool adapter to the electric power tool.

Automatic filter cleaning

The appliance has an special filter cleaning system that is particularly effective with fine dust. The flat pleated filter is automatically cleaned every 15 seconds (TACT MAX) or every 60 seconds (TACT MIN) through an air jet (pulsating sound).

- Set the rotary switch to the desired program (TACT MIN-TACT MAX).

Illustration

- Power dedusting (especially with severe soiling of the flat pleated filter): Set the rotary switch to program 2, cover the suction tube or the bender with your hand and wait for the automatic filter dedusting (every 15 seconds).

Turn off the appliance

- Switch off the appliance at the rotating knob.
- Pull out the mains plug.

After each operation

- Empty the container.
- Vacuum and wipe the appliance inside and outside with a damp cloth.

Fold the push handle in/out

NT 50/1 only:

- Loosen the push handle lock and adjust the push handle.

Storing the Appliance

Illustration

- Store the suction hose and the mains cable as shown in the illustration.
- Place the appliance in a dry room and secure it from unauthorized use.

Transport

CAUTION

Risk of injury and damage! Observe the weight of the appliance when you transport it.

- Remove the suction pipe with the floor nozzle from the holder. Hold the appliance by the handle and at the suction pipe to transport it, not by the push handle.
- When transporting in vehicles, secure the appliance according to the guidelines from slipping and tipping over.

Storage

CAUTION

Risk of injury and damage! Note the weight of the appliance in case of storage.

This appliance must only be stored in interior rooms.

Care and maintenance

DANGER

First pull out the plug from the mains before carrying out any tasks on the machine.

Exchanging the flat pleated filter

Illustration

- Open filter door.
- Remove filter frame.
- Replace the flat pleated filter. During placement, make sure that the flat fold filter rests against all sides.
- Insert filter frame.
- Close the filter door, it must lock into place.

Exchange the fleece filter bag

Illustration

- Release and remove the suction head.
- Pull out the fleece filter bag on the flange towards the top.
- Tightly close the fleece filter bag with lock cap.
- Insert the new fleece filter bag.
- Insert and lock the suction head.

Replace the disposal bag

Illustration

- Release and remove the suction head.
- Put the disposal bag over.
- Tightly close the disposal bag with cable tie underneath the opening.
- Remove disposal bag.
- Insert the new disposal bag.
- Pull disposal bag over the container. Make sure that the marking line is situated within the container and both ventilation holes are positioned at the back of the container.
- Insert and lock the suction head.

Cleaning the electrodes

- Release and remove the suction head.
- Clean the electrodes with a brush.
- Insert and lock the suction head.

Troubleshooting

DANGER

First pull out the plug from the mains before carrying out any tasks on the machine.

Suction turbine does not run

- Check the receptacle and the fuse of the power supply.
- Check the power cable, the power plug, the electrodes and possibly the receptacle of the device.
- Turn on the appliance.

Suction turbine turns off

- Empty the container.

Suction turbine does not start again after the container has been emptied

- Turn off the appliance and wait for 5 seconds, turn it on again after 5 seconds.
- Clean the electrodes as well as the space between the electrodes with a brush.

Suction capacity decreases

- Remove blockages in the suction nozzle, suction tube, suction hose, or flat pleated filter.
- Replacing the full fleece filter bag.
- Replace the filled disposal bag
- Ensure the filter cover properly locks into place.
- Replace the flat pleated filter.
- NT 50/1 only:
Check drain pipe for leaks.

Dust comes out while vacuuming

Illustration

- Check/correct the correct positioning of the flat pleated filter.
- Replace the flat pleated filter.

Automatic shut-off (wet vacuum cleaning) does not react

- Clean the electrodes as well as the space between the electrodes with a brush.
- Continuously check the filling level in case of non-conductive liquid.

Automatic filter cleaning is not working

- Suction hose is not connected.

Automatic filter cleaning cannot be switched off

- Inform Customer Service.

Automatic filter cleaning cannot be switched on

- Inform Customer Service.

Customer Service

If malfunction can not be fixed, the device must be checked by customer service.

Warranty

The warranty terms published by the relevant sales company are applicable in each country. We will repair potential failures of your appliance within the warranty period free of charge, provided that such failure is caused by faulty material or defects in manufacturing. In the event of a warranty claim please contact your dealer or the nearest authorized Customer Service centre. Please submit the proof of purchase.

Accessories and Spare Parts

Only use original accessories and spare parts, they ensure the safe and trouble-free operation of the device.

For information about accessories and spare parts, please visit www.kaercher.com.

Technical specifications

		NT 30/1 Tact	NT 40/1 Tact	NT 50/1 Tact	NT 30/1 Tact Te	NT 40/1 Tact Te	NT 50/1 Tact Te
Mains voltage	V	120	120	120	120	120	120
Frequency	Hz	1~ 60	1~ 60	1~ 60	1~ 60	1~ 60	1~ 60
Rated current	A	9	9	9	15	15	15
Container capacity	gal (l)	8.2 (31)	10.3 (39)	13.5 (51)	8.2 (31)	10.3 (39)	13.5 (51)
Filling quantity (liquid)	gal (l)	4.5 (17)	6.3 (24)	9.2 (35)	4.5 (17)	6.3 (24)	9.2 (35)
Air volume (max.)	CFM (l/s)	150 (71)	150 (71)	150 (71)	150 (71)	150 (71)	150 (71)
Negative pressure (max.)	mm (kPa)	2468 (24.2)	2468 (24.2)	2468 (24.2)	2468 (24.2)	2468 (24.2)	2468 (24.2)
Power connection data of the power tools	A	--	--	--	6	6	6
Surface of the flat fold filter	sq ft (m ²)	6.5 (0.6)	6.5 (0.6)	6.5 (0.6)	6.5 (0.6)	6.5 (0.6)	6.5 (0.6)
Type of protection	--	IPX4	IPX4	IPX4	IPX4	IPX4	IPX4
Protective class	--	I	I	I	I	I	I
Diameter of the suction hose	in (mm)	1.38 (35)	1.38 (35)	1.38 (35)	1.38 (35)	1.38 (35)	1.38 (35)
Length of the suction hose	ft (m)	8.2 (2.5)	8.2 (2.5)	8.2 (2.5)	13.1 (4.0)	13.1 (4.0)	13.1 (4.0)
Length x width x height	in (mm)	22.0 x 14.6 x 22.8 (560 x 370 x 580)	22.0 x 14.6 x 25.8 (560 x 370 x 655)	25.2 x 14.6 x 41.1 (640 x 370 x 1045)	22.0 x 14.6 x 22.8 (560 x 370 x 580)	22.0 x 14.6 x 25.8 (560 x 370 x 655)	25.2 x 14.6 x 41.1 (640 x 370 x 1045)
Typical operating weight	lbs (kg)	29.8 (13.5)	31.7 (14.4)	40.3 (18.3)	29.8 (13.5)	31.7 (14.4)	40.3 (18.3)
Values determined to EN 60335-2-69							
Sound pressure level L _{pA}	dB(A)	68	68	68	68	68	68
Uncertainty K _{pA}	dB(A)	1	1	1	1	1	1

Power cord	SJOW 3/16 AWG	
Tact	Part no.:	Cable length
CUL	6.650-829.0	25 ft (7.5 m)
Power cord	SJOW 3/14 AWG	
Tact Te	Part no.:	Cable length
CUL	6.650-530.0	25 ft (7.5 m)

CONSIGNES DE SÉCURITÉ IMPORTANTES

OBSERVEZ LES POINTS SUIVANTS AVANT LA MISE EN SERVICE DE L'APPAREIL

- En cas de dommages dus au transport, veuillez en informer immédiatement votre revendeur.
- Sortir tous les accessoires du carton.
- L'aspirateur ne convient pas pour aspirer des poussières nocives comme p. ex. l'amiante. Pour de telles applications, veuillez vous adresser à votre représentation Kärcher ou à votre revendeur Kärcher.
- Ne brancher l'aspirateur qu'à une prise de courant de sécurité conforme. Faisible nécessaire, voir les caractéristiques techniques.
- Brancher uniquement sur une prise correctement reliée à la terre. Voir les instructions de mise à terre.

Lorsque vous utilisez un appareil électrique, vous devez prendre certaines précautions de base, dont la suivante: Cet aspirateur est conçu pour l'usage professionnel.

- 1 DÉBRANCHER L'ASPIRATEUR avant d'enlever le couvercle, d'effectuer tout entretien et lorsqu'il n'est pas utilisé.
- 2 Ne laissez pas l'appareil sans surveillance tant qu'il est branché.
- 3 TOUJOURS VÉRIFIER QUE LE CORDON D'ALIMENTATION n'est ni vieilli, ni abîmé, avant chaque usage.
- 4 NE PAS TRANSPORTER L'ASPIRATEUR OU LE TIRER PAR LE CORDON. Ne pas fermer de portes sur le cordon ou faire passer celui-ci sur des bords tranchants.
- 5 NE PAS METTRE LE CORDON À LA CHALEUR OU DANS DE L'HUILE. Ne pas laisser le cordon traîner par terre après la fin du travail. Il pourrait provoquer une chute.
- 6 NE PAS PASSER L'ASPIRATEUR SUR LE CORDON.
- 7 METTRE L'INTERRUPTEUR SUR avant de débrancher l'appareil.
- 8 NE PASTIRER SUR LE CORDON POUR DÉBRANCHER l'appareil. Tirer sur la prise.
- 9 NE PAS SAISIR LA PRISE AVEC DES MAINS MOUILLÉES.
- 10 SI LE CORDON OU LA PRISE EST ABÎMÉ, le faire remplacer par un agent d'un centre de service agréé uniquement. NE PAS ESSAYER DE RÉPARER SOI-MÊME.
- 11 POUR ÉVITER TOUT CHOC ÉLECTRIQUE, ne pas laisser l'appareil sous la pluie. Le stocker à l'intérieur.
- 12 N'UTILISER L'APPAREIL QUE COMME IL EST CONSEILLÉ DANS CE MODE D'EMPLOI. Utiliser exclusivement les accessoires recommandés.
- 13 ÉLOIGNER LES CHEVEUX, LES VÊTEMENTS, LES BIJOUX FLOTTANTS, LES DOIGTS et toutes les parties du corps des ouvertures et des pièces mobiles.
- 14 NE PAS FERMER OU OBSTRUER LES OUVERTURES. Enlever les peluches, cheveux, poussières et tout ce qui pourrait gêner le passage de l'air.
- 15 NE PAS AGRÉER D'OBJETS EN FEU, rougissants ou dégageant de la fumée tels que des allumettes, des cigarettes ou des cendres chaudes.
- 16 NE PAS ASPIRER DE MATÉRIAUX COMBUSTIBLES EXPLOSIFS, tels que charbon, grains et autres matériaux combustibles finement divisés.
- 17 NE PAS ASPIRER DE MATÉRIAUX COMBUSTIBLES, dangereux, toxiques ou cancérigènes comme l'essence, le gas-oil, l'acétone, les diluants à peinture, le fuel domestique, les acides et les solvants non dilués, les pesticides et l'amiante.
- 18 UTILISER LES FILTRES RECOMMANDÉS pour aspirer les solides.
- 19 NE PAS UTILISER L'APPAREIL SI LE FILTRE ou le sac à poussière n'est pas en place.

- 20 NE BRANCHER L'ASPIRATEUR QUE SUR UNE PRISE PROPREMENT RELIÉE À LA TERRE. Voir les consignes de raccordement à la terre.
- 21 INTERDIRE DE JOUER AVEC L'ASPIRATEUR. En tenir les enfants éloignés.
- 22 NE PAS LAISSER L'ASPIRATEUR SANS SURVEILLANCE pendant le fonctionnement.
- 23 NE PAS L'UTILISER SI LE CORDON, LA PRISE, LE FILTRE OU L'ASPIRATEUR EST EN MAUVAIS ÉTAT. Si l'aspirateur est tombé, a été abîmé, a été exposé, aux intempéries ou est tombé dans de l'eau, le faire vérifier par un agent de service.
- 24 TOUJOURS PORTER UNE PROTECTION OCULAIRE lors de l'utilisation de l'aspirateur.
- 25 REDOUBLER DE PRUDENCE pour l'utilisation dans un escalier.
- 26 RESTER VIGILANT! Ne pas utiliser l'aspirateur quand on est fatigué ou après avoir pris de la drogue, de l'alcool ou des médicaments.

CONSERVER CES CONSIGNES

Cet aspirateur est conçu pour l'usage professionnel.

CONSIGNES DE SÉCURITÉ

INSTRUCTIONS DE MISE À LA TERRE

- Cet appareil doit être connecté à la terre. En cas de dysfonctionnement ou de panne, la mise à la terre fournit un chemin de moindre résistance pour le courant électrique pour réduire le risque de choc électrique.
- Cet appareil est équipé d'un câble doté d'un équipement conducteur de terre et d'une prise de terre.
- La fiche doit être branchée dans une prise électrique qui est correctement installée et raccordée à la terre en conformité avec les réglementations et directives locales.

AVERTISSEMENT :

- Une connexion incorrecte du conducteur de terre de l'équipement peut avoir pour résultat un risque de choc électrique.
- Contrôler avec un électricien qualifié ou un technicien de service si vous avez des doutes relatifs à la mise à la terre correcte de la prise.
- Ne pas modifier la fiche fournie avec l'appareil.
- Si la fiche ne rentre pas dans la prise, faites installer une prise appropriée par un électricien qualifié.
- Cet appareil est destiné à une utilisation sur un circuit 120 V nominaux, et est équipé d'une prise de terre qui ressemble à la prise illustrée dans la fig. A.
- Un adaptateur temporaire qui ressemble à l'adaptateur illustré dans la fig. B peut être utilisé pour connecter cette fiche au réceptacle deux pôles comme indiqué dans la fig. B si une prise correctement reliée à la terre n'est pas disponible.
- L'adaptateur temporaire doit être utilisé uniquement jusqu'à ce qu'une prise correctement reliée à la terre (fig. A) soit installée par un électricien qualifié.
- L'oreille rigide de couleur verte, la lame ou l'équivalent étendu depuis l'adaptateur doit être connecté à une terre permanente comme un couvercle de prise relié correctement à la terre.
- Quel que soit l'endroit où l'adaptateur est utilisé, il doit être maintenu en place par une vis métallique.

DANS TOUS LES CAS, S'ASSURER QUE LE RECEPTACLE EN QUESTION EST CORRECTEMENT RELIÉ À LA TERRE.

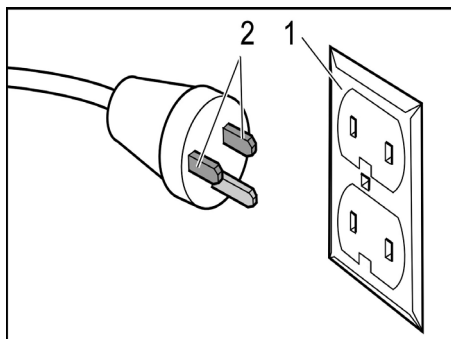
NE JAMAIS RETIRER LA LANGUETTE DE CONTACT DE TERRE DE LA FICHE ELECTRIQUE.

RALLONGES

Utiliser uniquement des câbles de rallonge à trois fils équipés de fiches à mise à la terre à trois languettes et des réceptacles à trois pôles qui acceptent la fiche de l'appareil. Remplacer le câble endommagé ou usé immédiatement.

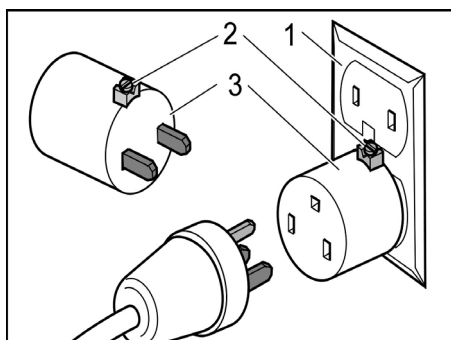
NE PAS TENTER DE REPARER UN CABLE D'ALIMENTATION.

Figure A



- 1 Socle de prise de courant
 - 2 Languettes conduisant le courant
- La languette de terre est la plus longue.

Figure B



- 1 Socle de prise de courant
- 2 Moyens de mise à la terre

3 Adapteur

Note : Au Canada, l'utilisation d'un adaptateur temporaire n'est pas autorisée par le Code Electrique Canadien.

Entretien des appareils à double-isolation

Dans un appareil à double isolation, deux isolations distinctes remplacent la mise à la terre. L'appareil à double isolation n'est pourvu d'aucun dispositif de mise à la terre et un tel dispositif ne doit pas être ajouté. L'entretien d'un appareil à double isolation demande beaucoup de soins ainsi qu'une bonne connaissance du système et ne devrait être effectué que par un technicien d'entretien qualifié. Les pièces de rechange d'un appareil à double isolation doivent être identiques aux pièces originales.



Lire ce manuel d'utilisation original avant la première utilisation de votre appareil, le respecter et le conserver pour une utilisation ultérieure ou pour le futur propriétaire.

- En cas de non-respect des instructions de service et des consignes de sécurité, l'appareil risque de subir des dommages matériels et l'utilisateur ainsi que toute tierce personne sont exposés à des dangers potentiels.
- Contactez immédiatement le revendeur en cas d'avarie de transport.

Table des matières

Protection de l'environnement	FR	1
Niveaux de danger	FR	1
Utilisation conforme	FR	1
Éléments de l'appareil	FR	2
Mise en service	FR	2
Utilisation	FR	3
Transport	FR	4
Entreposage	FR	5
Entretien et maintenance	FR	5
Assistance en cas de panne	FR	5
Garantie	FR	6
Accessoires et pièces de rechange	FR	6
Caractéristiques techniques	FR	7

Protection de l'environnement



Les matériaux constitutifs de l'emballage sont recyclables. Ne pas jeter les emballages dans les ordures ménagères, mais les remettre à un système de recyclage.



Les appareils usés contiennent des matériaux précieux recyclables lesquels doivent être apportés à un système de recyclage. Il est interdit de jeter les batteries, l'huile et les substances similaires dans l'environnement. Pour cette raison, utiliser des systèmes de collecte adéquats afin d'éliminer les appareils hors d'usage.

Instructions relatives aux ingrédients (REACH)

Les informations actuelles relatives aux ingrédients se trouvent sous :

www.kaercher.com/REACH

Niveaux de danger

⚠ DANGER

Signale la présence d'un danger imminent entraînant de graves blessures corporelles et pouvant avoir une issue mortelle.

⚠ AVERTISSEMENT

Signale la présence d'une situation éventuellement dangereuse pouvant entraîner de graves blessures corporelles et même avoir une issue mortelle.

⚠ PRÉCAUTION

Remarque relative à une situation potentiellement dangereuse pouvant entraîner des blessures légères.

ATTENTION

Remarque relative à une situation éventuellement dangereuse pouvant entraîner des dommages matériels.

Utilisation conforme

⚠ AVERTISSEMENT

Cet appareil n'est pas conçu pour aspirer des poussières nocives.

- Cet aspirateur est destiné au nettoyage à sec et au nettoyage par voie humide des sol et murs.
- Cet appareil convient à un usage industriel, par exemple dans le cadre d'hôtels, d'écoles, d'hôpitaux, d'usines, de magasins, de bureaux et d'agences de location.

Éléments de l'appareil

- 1 Electrodes
- 2 Raccord d'aspiration
- 3 Flexible d'aspiration
- 4 Crochet à flexible
- 5 Verrouillage du guidon (uniquement NT 50/1)
- 6 Buse à joints
- 7 Sortie d'air, air de travail
- 8 Tête d'aspiration
- 9 Verrouillage de la tête d'aspiration
- 10 Trou de poignée
- 11 Récipient collecteur
- 12 Roues directionnelles
- 13 Poignée
- 14 Entrée d'air, air de refroidissement du moteur
- 15 Buse pour sol
- 16 Tuyau d'aspiration
- 17 Butée pour la caisse à outils
- 18 Manchon en caoutchouc, vissable
- 19 Œillet de fixation
- 20 Recouvrement du filtre
- 21 Poignée de transport
- 22 Régulateur de puissance d'aspiration (continu)
- 23 Adaptateur d'outil (uniquement Tact Te)
- 24 Guidon (uniquement NT 50/1)
- 25 Bouton rotatif pour la puissance d'aspiration (min-max) (uniquement Tact Te)
- 26 Interrupteur rotatif
- 27 Prise de courant (uniquement Tact Te)
- 28 Support pour buse de sol
- 29 Flexible de vidange (uniquement NT 50/1)
- 30 Support pour tube d'aspiration
- 31 Crochet de câbles (uniquement NT 50/1)
- 32 Coude
- 33 Câble d'alimentation
- 34 Manche pour le coude (uniquement NT 30/1, NT 40/1)
- 35 Cadre de filtre
- 36 Filtre plat plissé (PES)
- 37 Nettoyage du filtre
- 38 Plaque signalétique

Mise en service

ATTENTION

Le filtre à plis plats ne doit jamais être retiré durant l'aspiration.

Système antistatique

Les charges statiques sont évacuées par les embouts de raccordement reliés à la terre. La formation d'étincelles et les chocs électriques avec les accessoires conduisant l'électricité (option) sont ainsi évités.

Aspiration de poussières

- Pour l'aspiration de poussière fine, il est possible d'utiliser, en plus, un filtre en non tissé ou un sachet pour le recyclage.

Mise en place du sac filtrant en toile

Illustration **A**

- Déverrouiller et retirer la tête d'aspiration.
- Enfiler le sac en toile.
- Positionner la tête d'aspiration et la verrouiller.

Monter le sac d'élimination

Illustration **B**

- Déverrouiller et retirer la tête d'aspiration.
- Mettre le sachet à éliminer en place.
- Retourner le sachet d'élimination sur le réservoir.
Veiller à ce que le marquage se trouve dans le réservoir et à ce que les deux touches de purge soient placées sur la paroi arrière du réservoir.
- Positionner la tête d'aspiration et la verrouiller.

Aspiration humide

Montage des lèvres en caoutchouc

Illustration **C**

- Démontez les bandes de brosse
- Montez les lèvres en caoutchouc.

Enlever le sac filtrant en toile

Illustration

- Déverrouiller et retirer la tête d'aspiration.
- Sortir le filtre en non tissé par le haut sur la bride.
- Fermer hermétiquement le filtre en non tissé avec le capuchon de fermeture.
- Positionner la tête d'aspiration et la verrouiller.
- Lors de l'aspiration de saletés humides, il faut toujours retirer le sac filtrant en toile.

Retirer le sac d'élimination

Illustration

- Déverrouiller et retirer la tête d'aspiration.
- Retourner le sac d'élimination.
- Fermer hermétiquement le sachet pour le recyclage avec un serre-câble sous l'ouverture.
- Retirer le sac d'élimination.
- Positionner la tête d'aspiration et la verrouiller.
- En cas d'aspiration de saletés humides, il faut toujours enlever le filtre d'élimination.

Vider l'eau sale

Uniquement NT 50/1 :

Illustration

- Laisser l'eau sale s'écouler par le flexible de vidange.

Généralités

- Pour l'aspiration de saletés humides avec le suceur plat ou le petit suceur, ou bien si l'aspiration consiste surtout à aspirer de l'eau d'un réservoir, il est recommandé de désactiver la fonction "Nettoyage automatique du filtre".
- L'appareil se met automatiquement hors marche lorsque le niveau de liquide maxi est atteint.

- En cas de liquides non conducteurs (par exemple émulsion de perçage, huiles et graisses), l'appareil n'est pas mis hors marche lorsque le réservoir est plein. Le niveau de remplissage doit être contrôlé en permanence et le réservoir doit être vidé à temps.
- À la fin de l'aspiration humide : nettoyer le filtre à plis plats en même temps que le filtre. Nettoyer les électrodes avec une brosse. Nettoyer le réservoir avec un chiffon humide et le sécher.

Clip de fixation

Illustration

Le flexible d'aspiration est doté d'un système à clip. Tous les accessoires largeur nominale de 1.38 in (35 mm) peuvent être connectés.

Utilisation

Interrupteur rotatif

0 OFF	Appareil ARRÊT
1 ON	Appareil MARCHE Nettoyage du filtre automatique : ARRET
2 TACT MAX	Appareil MARCHE Nettoyage du filtre automatique : intervalle maximal
3 TACT MIN	Appareil MARCHE Nettoyage du filtre automatique : intervalle minimal

Mettre l'appareil en marche

- Brancher la fiche secteur.
- Placer le bouton rotatif sur le programme souhaité.

Régler la puissance d'aspiration

Uniquement pour les appareils avec prise de courant montée :

- Régler la puissance d'aspiration (min-max) sur le régulateur rotatif.

Travailler avec des outils électriques

Uniquement pour les appareils avec prise de courant montée :

⚠ DANGER

Risque de blessure et d'endommagement ! La prise n'est destinée qu'au raccord direct d'outils électriques sur l'aspirateur. Toute autre utilisation de la prise est interdite.

- Brancher la fiche de secteur de l'outil électrique sur l'aspirateur.
L'aspirateur se trouve en mode veille.
- Enclencher l'appareil à l'aide de l'interrupteur rotatif.

Remarque : l'aspirateur est automatiquement mis en marche et hors marche avec l'outil électrique.

Remarque : l'aspirateur a une temporisation de démarrage d'au maximum 0,5 secondes et un temps de marche par inertie d'au maximum 15 secondes.

Remarque : Pour les données de branchement des outils électriques, voir les caractéristiques techniques.

Illustration 

- Retirer le coude figurant sur le tuyau d'aspiration.
- Monter l'adaptateur d'outil sur le flexible d'aspiration.

Illustration 

- Raccorder l'adaptateur d'outil sur l'outil électrique.

Nettoyage automatique du filtre

L'appareil dispose d'un nettoyage du filtre spécial particulièrement efficace pour la poussière fine. Le filtre plat plissé est nettoyé automatiquement toutes les 15 secondes (TACT MAX) ou toutes les 60 secondes (TACT MIN) par un flux d'air (bruit de pulsation).

- Placer le bouton rotatif sur le programme souhaité (TACT MIN-TACT MAX).

Illustration 

- Nettoyage puissant (en cas de fort encrassement du filtre plat plissé) : Placer le bouton rotatif sur le programme 2, fermer le tube d'aspiration et/ou le coude à la main et attendre le nettoyage du filtre automatique (toutes les 15 secondes).

Mise hors service de l'appareil

- Couper l'appareil à l'aide de l'interrupteur rotatif.
- Retirer la fiche secteur.

Après chaque mise en service

- Vider le réservoir.
- Nettoyer la partie intérieure et extérieure de l'appareil en aspirant et en l'essuyant avec un chiffon humide.

Rentrer/sortir le guidon de poussée

Uniquement NT 50/1 :

- Desserrer le verrouillage du guidon et régler le guidon.

Ranger l'appareil

Illustration 

- Conserver le flexible d'aspiration et le câble d'alimentation de la manière représentée.
- Entreposer l'appareil dans un endroit sec et le sécuriser contre toute utilisation non autorisée.

Transport

⚠ PRÉCAUTION

Risque de blessure et d'endommagement ! Respecter le poids de l'appareil lors du transport.

- Retirer le tube d'aspiration avec la buse de sol du support. Pour transporter l'appareil, le saisir au niveau de la poignée et du tube d'aspiration et non au niveau du guidon de poussée.
- Sécuriser l'appareil contre les glissements ou les basculements selon les directives en vigueur lors du transport dans des véhicules.

Entreposage

⚠ **PRÉCAUTION**

Risque de blessure et d'endommagement ! Prendre en compte le poids de l'appareil à l'entreposage.

Cet appareil doit uniquement être entreposé en intérieur.

Entretien et maintenance

⚠ **DANGER**

Avant d'effectuer tout type de travaux sur l'appareil, le mettre hors service et débrancher la fiche électrique.

Remplacement du filtre à plis plats

Illustration 

- Ouvrir le recouvrement du filtre.
- Sortir le châssis du filtre.
- Remplacer le filtre à plis plats.
Veiller, lors de l'insertion, à ce que le filtre plat plissé soit posé à fleur de tous les côtés.
- Insérer le châssis du filtre.
- Fermer le recouvrement du filtre, il faut l'entendre s'enclencher.

Remplacement du sac filtrant en toile

Illustration 

- Déverrouiller et retirer la tête d'aspiration.
- Sortir le filtre en non tissé par le haut sur la bride.
- Fermer hermétiquement le filtre en non tissé avec le capuchon de fermeture.
- Enfiler le nouveau sac filtrant en toile.
- Positionner la tête d'aspiration et la verrouiller.

Remplacement du sac d'élimination

Illustration 

- Déverrouiller et retirer la tête d'aspiration.
- Retourner le sac d'élimination.
- Fermer hermétiquement le sachet pour le recyclage avec un serre-câble sous l'ouverture.
- Retirer le sac d'élimination.

- Mettre le nouveau sachet à éliminer en place.
- Retourner le sachet d'élimination sur le réservoir.
Veiller à ce que le marquage se trouve dans le réservoir et à ce que les deux touches de purge soient placées sur la paroi arrière du réservoir.
- Positionner la tête d'aspiration et la verrouiller.

Nettoyage des électrodes

- Déverrouiller et retirer la tête d'aspiration.
- Nettoyer les électrodes avec une brosse.
- Positionner la tête d'aspiration et la verrouiller.

Assistance en cas de panne

⚠ **DANGER**

Avant d'effectuer tout type de travaux sur l'appareil, le mettre hors service et débrancher la fiche électrique.

La turbine d'aspiration ne fonctionne pas

- Vérifier la prise et le fusible de l'alimentation électrique.
- Vérifier le câble d'alimentation, la fiche secteur, les électrodes et éventuellement la prise de l'appareil.
- Allumer l'appareil.

Turbine d'aspiration se met hors marche

- Vider le réservoir.


Turbine d'aspiration ne se remet pas en marche après avoir vidé la cuve

- Mettre l'appareil hors marche et attendre 5 secondes avant de le remettre en marche.
- Nettoyer les électrodes ainsi que l'espace libre entre les électrodes à l'aide d'une brosse.

La force d'aspiration diminue

- Déboucher la buse d'aspiration, le tuyau d'aspiration, le flexible d'aspiration ou le filtre plat à plis.
- Remplacement du sac filtrant en toile plein.
- Remplacer le sac d'élimination plein.
- Enclencher correctement le recouvrement de filtre.
- Remplacer le filtre à plis plats.
- Uniquement NT 50/1 :
Contrôler l'étanchéité du flexible de vidange.

De la poussière s'échappe lors de l'aspiration

Illustration 

- Contrôler/corriger la position de montage correcte du filtre à plis plats.
- Remplacer le filtre à plis plats.

Dispositif automatique de coupure (aspiration humide) ne se déclenche pas

- Nettoyer les électrodes ainsi que l'espace libre entre les électrodes à l'aide d'une brosse.
- Contrôler en permanence le niveau de remplissage en cas de liquides non conducteurs.

Le nettoyage automatique de filtre ne fonctionne pas

- Le flexible d'aspiration n'est pas raccordé.

Le nettoyage automatique ne se laisse pas mettre hors service

- Informer le service après-vente.

Le nettoyage automatique ne se laisse pas mettre en service

- Informer le service après-vente.

Service après-vente

Si la panne ne peut être réparée, l'appareil doit être contrôlé par le service après-vente.

Garantie

Dans chaque pays, les conditions de garantie en vigueur sont celles publiées par notre société de distribution responsable. Les éventuelles pannes sur l'appareil sont réparées gratuitement dans le délai de validité de la garantie, dans la mesure où celles-ci relèvent d'un défaut matériel ou d'un vice de fabrication. En cas de recours en garantie, adressez-vous à votre revendeur ou au service après-vente agréé le plus proche munis de votre preuve d'achat.

Accessoires et pièces de rechange

N'utiliser que des accessoires et pièces de rechange d'origine, ils garantissent le bon fonctionnement de l'appareil. Vous trouverez des informations relatives aux accessoires et pièces de rechange sur www.kaercher.com.

Caractéristiques techniques

		NT 30/1 Tact	NT 40/1 Tact	NT 50/1 Tact	NT 30/1 Tact Te	NT 40/1 Tact Te	NT 50/1 Tact Te
Tension du secteur	V	120	120	120	120	120	120
Fréquence	Hz	1~ 60	1~ 60	1~ 60	1~ 60	1~ 60	1~ 60
Courant nominal	A	9	9	9	15	15	15
Capacité de la cuve	gal (l)	8.2 (31)	10.3 (39)	13.5 (51)	8.2 (31)	10.3 (39)	13.5 (51)
Capacité de liquide	gal (l)	4.5 (17)	6.3 (24)	9.2 (35)	4.5 (17)	6.3 (24)	9.2 (35)
Débit d'air (max.)	CFM (l/s)	150 (71)	150 (71)	150 (71)	150 (71)	150 (71)	150 (71)
Dépression (max.)	mm (kPa)	2468 (24.2)	2468 (24.2)	2468 (24.2)	2468 (24.2)	2468 (24.2)	2468 (24.2)
Branchement des outils électriques	A	--	--	--	6	6	6
Surface du filtre plat à plis	sq ft (m ²)	6.5 (0.6)	6.5 (0.6)	6.5 (0.6)	6.5 (0.6)	6.5 (0.6)	6.5 (0.6)
Type de protection	--	IPX4	IPX4	IPX4	IPX4	IPX4	IPX4
Classe de protection	--	I	I	I	I	I	I
Diamètre du tuyau d'aspiration	in (mm)	1.38 (35)	1.38 (35)	1.38 (35)	1.38 (35)	1.38 (35)	1.38 (35)
Longueur du flexible d'aspiration	ft (m)	8.2 (2.5)	8.2 (2.5)	8.2 (2.5)	13.1 (4.0)	13.1 (4.0)	13.1 (4.0)
Longueur x largeur x hauteur	in (mm)	22.0 x 14.6 x 22.8 (560 x 370 x 580)	22.0 x 14.6 x 25.8 (560 x 370 x 655)	25.2 x 14.6 x 41.1 (640 x 370 x 1045)	22.0 x 14.6 x 22.8 (560 x 370 x 580)	22.0 x 14.6 x 25.8 (560 x 370 x 655)	25.2 x 14.6 x 41.1 (640 x 370 x 1045)
Poids de fonctionnement typique	lbs (kg)	29.8 (13.5)	31.7 (14.4)	40.3 (18.3)	29.8 (13.5)	31.7 (14.4)	40.3 (18.3)
Valeurs définies selon EN 60335-2-69							
Niveau de pression acoustique L _{pA}	dB(A)	68	68	68	68	68	68
Incertitude K _{pA}	dB(A)	1	1	1	1	1	1

Câble d'alimentation	SJOW 3/16 AWG	
Tact	Référence	Longueur de câble
CUL	6.650-829.0	25 ft (7.5 m)
Câble d'alimentation	SJOW 3/14 AWG	
Tact Te	Référence	Longueur de câble
CUL	6.650-530.0	25 ft (7.5 m)

INSTRUCCIONES IMPORTANTES DE SEGURIDAD

ANTES DE LA PRIMERA PUESTA EN MARCHA DEL APARATO DEBERÁN OBSERVARSE LOS SIGUIENTES PUNTOS

- Si al desembalar el aparato comprobara Vd. algún daño o desperfecto en el mismo atribuible al transporte, rogamos se dirija inmediatamente al distribuidor en donde adquirió el aparato.
- Extraiga la totalidad de las piezas y accesorios del aparato que se encuentran en el recipiente del mismo o en la caja de cartón del embalaje.
- El aparato no es apropiado para la aspiración de polvos nocivos para la salud, como por ejemplo amianto. Para este tipo de aplicaciones deberá ponerse en contacto con su Distribuidor o la Delegación Nacional de Kärcher.
- El aspirador sólo se deberá conectar a tomas de corriente instaladas correctamente y provistas de una puesta a tierra reglamentaria. Los datos necesarios para el fusible de la red figuran en el apartado <<Características Técnicas>>.
- Conectar exclusivamente a una toma con puesta a tierra. Consultar las instrucciones de puesta a tierra.

En caso de utilizar herramientas eléctricas acopladas al aparato, deberán observarse estrictamente todas las normas de seguridad básicas, a fin de prevenir cualquier riesgo de incendio, descargas eléctricas o daños o lesiones del personal encargado de manipular los mismos: Esta aspiradora está diseñada para uso comercial.

- 1 DESCONECTE LA ASPIRADORA DEL CIRCUITO DE ALIMENTACIÓN antes de quitar la tapa, antes de realizar trabajo de mantenimiento y cuando no la esté utilizando.
- 2 NO DEJAR EL APARATO sin vigilancia, mientras esté enchufado.

- 3 SIEMPRE VERIFIQUE QUE EL CABLE ELECTRICO no esté dañado o desperfecto antes de usar el aparato.
- 4 NO TIRE (Jale) O LLEVE LA ASPIRADORA POR EL CABLE ELECTRICO. Tampoco debe pellizcarlo con una puerta o estirarlo por ningún canto (borde) agudo.
- 5 NO EXPONGA EL CABLE A LO CALIENTE NI A ACEITES. Para prevenir un tropiezo, no deje el cable suelto después de usarlo.
- 6 NO PASE LA ASPIRADORA POR ENCIMA DEL CABLE DE ALIMENTACIÓN.
- 7 PONGA EL SELECTOR EN LA POSICION DE <<OFF>> antes de desenchufar el aparato.
- 8 NO DESENCHUFE EL CABLE DE UN TIRON (Jalón). Para desenchufarle agarre la clavija (enchufe) no el cable.
- 9 NO AGARRE LA CLAVIJA (ENCHUFE) CON LAS MANOS MOJADAS.
- 10 EL CABLE ELECTRICO (O LA CLAVIJA) sólo debe ser reemplazado por un representante de un Centro de Servicio Autorizado. SE NINGUNA MANERA DEBE INTENTAR LA REPARACION DEL CABLE ELECTRICO.
- 11 PARA PREVENIR CHOQUES ELECTRICOS, no exponga la herramienta a la lluvia. Guárdela en un lugar seco.
- 12 SOLO USE EL APARATO COMO ESTA RECOMENDADO EN ESTE MANUAL. También use únicamente los accesorios recomendados.
- 13 MANTENGA ALEJADOS EL CABELLO (PELO), ROPA, ALHAJAS SUELTAS, DEDOS o cualquier otra parte del cuerpo, de las aberturas y partes móviles de la máquina.
- 14 NO CUBRA NI OBSTRUYA LAS ABERTURAS. Mantenga las aberturas libres de pelusa, pelo, polvo y cualquier cosa que limite la circulación del aire.

- 15 NO ACOGE NINGUNA COSA QUE SE ESTE QUEMANDO, ardiendo sin llama o echando humo, tal como cigarrillos (cigarros), fósforos (cerillos) o cenizas calientes.
- 16 NO ASPIRE MATERIALES COMBUSTIBLES O EXPLOSIVOS, tal como carbón de piedra, cereales (o su polvo) u otra sustancia fina y combustible.
- 17 NO ASPIRE MATERIALES COMBUSTIBLES, peligrosos, tóxicos o carcinógenos por ejemplo: gasolina, gasoil (petróleo para diesel), acetona, diluyente para pintura, aceite combustible, ácidos y disolventes no diluidos, pesticidas y amianto (asbesto).
- 18 USE LOS FILTROS RECOMENDADOS para limpiar (aspirar) materiales de paredes en seco o paneles de yeso.
- 19 NO OPERE LA ASPIRADORA SIN FILTRO ni sin instalar la bolsa de polvo.
- 20 OLO CONECTE LA ASPIRADORA A TOMAS DE CORRIENTE CON CONEXION A TIERRA. (Vea <<NORMAS DE SEGURIDAD>>).
- 21 NO DEJE QUE LA ASPIRADORA SEA USADA COMO JUGUETE. No permita que se acerquen niños a la Aspiradora.
- 22 NO DEJE LA ASPIRADORA EN MARCHA sin personal para cuidarla.
- 23 NO OPERE LA MAQUINA SI EL CABLE, EL ENCHUFE (La Clavija), EL FILTRO O LA PROPIA ASPIRADORA ESTA EN MALA CONDICION. Si la Aspiradora se ha caído o ha sido dañada o expuesta a la intemperie o si se ha caído en el agua, mándela o llévela a un representante de servicio autorizado para que el mismo verifique su funcionamiento.
- 24 SIEMPRE USE PROTECCION PARA LOS OJOS cuando opere la Aspiradora.
- 25 USE EXTREMA PRECAUCION al limpiar escaleras.
- 26 MANTENGASE ALERTA! No use la Aspiradora cuando esté cansado o bajo la influencia de medicación, alcohol o drogas.

CONSERVE ESTAS INSTRUCCIONES

Esta aspiradora está diseñada para uso comercial.

INSTRUCCIONES DE SEGURIDAD

INSTRUCCIONES DE PUESTA A TIERRA

- Este aparato debe ser puesto a tierra. Si funciona mal o se estropea, la toma a tierra ofrece una ruta de menor resistencia para la corriente eléctrica para reducir el riesgo de una descarga eléctrica.
- Este aparato está equipado con un cable que tiene un conductor con toma a tierra para el equipo y un enchufe con toma a tierra.
- El enchufe se debe insertar en una clavija apropiada que esté instalada correctamente y puesta a tierra de acuerdo con los códigos y normativas locales.

ADVERTENCIA:

- Una conexión incorrecta del conductor del equipo de toma a tierra puede provocar una descarga eléctrica.
- Consulte a un electricista cualificado o a un técnico si tiene dudas acerca de si el enchufe tiene la toma a tierra correcta.
- No modifique el enchufe suministrado del aparato.
- Si no encaja en el enchufe, solicite a un electricista cualificado que instale un enchufe correcto.
- El aparato se usa con un circuito de 120 voltios y tiene un enchufe con toma a tierra que tiene el mismo aspecto que la ilustración A.
- Se puede usar un adaptador temporal como el de la ilustración B para conectar este enchufe a un receptáculo bipolar como se indica en la ilustración B si no hay un enchufe con toma a tierra correcto.

- El adaptador temporal sólo se debe usar hasta que el electricista cualificado haya instalado el enchufe con toma a tierra (fig. A).
- La orejeta verde rígida o similares que se extiende desde el adaptador se debe conectar a una toma permanente a tierra como una cubierta de caja con toma a tierra correcta.
- Siempre que se use el adaptador se debe mantener sujeto con un tornillo metálico.

EN TODOS LOS CASOS, ASEGÚRESE DE QUE EL RECEPTÁCULO EN CUESTIÓN TIENE UNA TOMA A TIERRA CORRECTA.

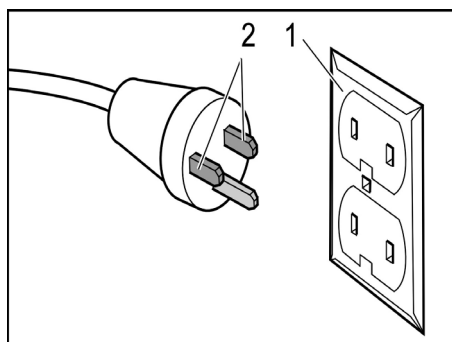
NO RETIRE LA TOMA A TIERRA DEL ENCHUFE DE ALIMENTACIÓN.

CABLES ALARGADORES

Usar sólo cables alargadores de tres alambres que tengan enchufes triples y el receptáculo tripolar que acepta el enchufe del aparato. Sustituir inmediatamente el cable dañado o usado.

NO INTENTE REPARAR EL CABLE DE ALIMENTACIÓN.

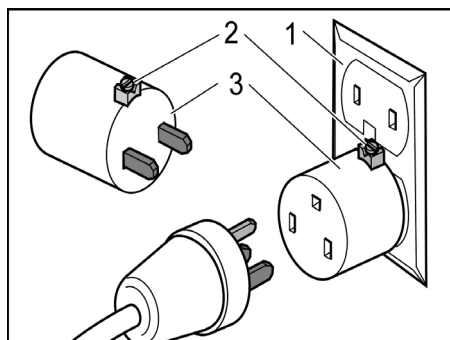
Figura A



- 1 Caja de toma de corriente con puesta a tierra
- 2 Horquillas conductoras de corriente

La horquilla de toma a tierra es la más larga de las 3

Figura B



- 1 Caja de toma de corriente con puesta a tierra
- 2 Medios de toma a tierra
- 3 Adaptador

Nota: En Canadá, el uso de un adaptador temporal no está permitido por el código canadiense de electricidad.

Mantenimiento del aparato dotados de doble aislamiento

Un aparato dotado de doble aislamiento incorpora dos sistemas de aislamiento en lugar de la puesta a tierra. Es decir, el aparato dotado de doble aislamiento no incorporan ningún conductor ni dispositivo de puesta a tierra ni hay que acoplar a adicionalmente a los mismos una puesta a tierra. Los trabajos de mantenimiento de un aparato dotado de un sistema de doble aislamiento requieren unos conocimientos particularmente amplios y completos de dicho dispositivo y del aparato en cuestión, debiendo ser ejecutados exclusivamente por personal especializado del Servicio Técnico Postventa Oficial. En caso de tener que sustituir piezas o componentes defectuosos del aparato de doble aislamiento, las piezas de repuesto deberán ser idénticas a las piezas defectuosas.



Antes del primer uso de su aparato, lea este manual original, actúe de acuerdo a sus indicaciones y guárdelo para un uso posterior o para otro propietario posterior.

- El incumplimiento de las instrucciones de uso y de las indicaciones de seguridad puede provocar daños en el aparato y poner en peligro al usuario y a otras personas.
- En caso de daños de transporte informe inmediatamente al fabricante.

Índice de contenidos

Protección del medio ambiente	ES	1
Niveles de peligro	ES	1
Uso previsto	ES	1
Elementos del aparato	ES	2
Puesta en marcha	ES	2
Manejo	ES	3
Transporte	ES	4
Almacenamiento	ES	4
Cuidados y mantenimiento	ES	4
Ayuda en caso de avería	ES	5
Garantía	ES	6
Accesorios y piezas de repuesto	ES	6
Datos técnicos	ES	7

Protección del medio ambiente



Los materiales empleados para el embalaje son reciclables y recuperables. No tire el embalaje a la basura doméstica y entréguelo en los puntos oficiales de recogida para su reciclaje o recuperación.



Los aparatos viejos contienen materiales valiosos reciclables que deberían ser entregados para su aprovechamiento posterior. Evite el contacto de baterías, aceites y materias semejantes con el medio ambiente. Por este motivo, entregue los aparatos usados en los puntos de recogida previstos para su reciclaje.

Indicaciones sobre ingredientes (REACH)

Encontrará información actual sobre los ingredientes en:

www.kaercher.com/REACH

Niveles de peligro

⚠ PELIGRO

Aviso sobre un riesgo de peligro inmediato que puede provocar lesiones corporales graves o la muerte.

⚠ ADVERTENCIA

Aviso sobre una situación probablemente peligrosa que puede provocar lesiones corporales graves o la muerte.

⚠ PRECAUCIÓN

Indicación sobre una situación que puede ser peligrosa, que puede acarrear lesiones leves.

CUIDADO

Aviso sobre una situación probablemente peligrosa que puede provocar daños materiales.

Uso previsto

⚠ ADVERTENCIA

El aparato no es apto para aspirar polvos nocivos para la salud.

- Este aspirador está diseñado para la limpieza de pisos y superficies murales.
- Este aparato es apto para el uso en aplicaciones industriales, como en hoteles, escuelas, hospitales, fábricas, tiendas, oficinas y negocios de alquiler.

Elementos del aparato

- 1 Electrodo
- 2 Tubuladura de aspiración
- 3 Manguera de aspiración
- 4 Gancho para manguera
- 5 Bloqueo del estribo de empuje (solo NT 50/1)
- 6 Boquilla para juntas
- 7 Salida de aire, aire de trabajo
- 8 Cabezal de aspiración
- 9 Bloqueo del cabezal de absorción
- 10 Mango empotrado
- 11 Recipiente acumulador de suciedad
- 12 Rodillo de dirección
- 13 Mango
- 14 Entrada de aire, aire refrigerado del motor
- 15 Boquilla barredora de suelos
- 16 Tubo de aspiración
- 17 Tope para maletín de herramientas
- 18 Manguito de goma, atornillable
- 19 Orejeta de fijación
- 20 Cubierta del filtro
- 21 Asa de transporte
- 22 Regulador de potencia de aspiración (graduado)
- 23 Adaptador de herramienta (solo Tact Te)
- 24 Estribo de empuje (solo NT 50/1)
- 25 Regulador giratorio para potencia de aspiración (mín-máx) (solo Tact Te)
- 26 interruptor giratorio
- 27 Enchufe (solo Tact Te)
- 28 Soporte para boquilla para suelos
- 29 Manguera de desagüe (solo NT 50/1)
- 30 Soporte para la tubería de absorción
- 31 Portacables (solo NT 50/1)
- 32 Codo
- 33 Cable de conexión a la red
- 34 Soporte para codo (solo NT 30/1, NT 40/1)
- 35 Marco del filtro
- 36 Filtro plano de papel plegado (PES)
- 37 Limpieza de filtro
- 38 Placa de características

Puesta en marcha

CUIDADO

Al aspirar no retirar nunca el filtro plano de papel plegado.

Sistema antiestático

A través del manguito de empalme se derivan cargas estáticas. Así se evitan las chispas y las descargas eléctricas con accesorios conductores de la electricidad (opcional).

Aspiración en seco

- Durante la aspiración del polvo fino, puede utilizarse de forma adicional una bolsa filtrante de fieltro o una bolsa para eliminación de residuos.

Montar el fieltro filtrante

Figura **A**

- Desbloquear y extraer el cabezal de aspiración.
- Insertar el fieltro filtrante.
- Colocar y bloquear el cabezal de aspiración.

Montar la bolsa de desechos

Figura **B**

- Desbloquear y extraer el cabezal de aspiración.
- Colocar la bolsa de basura.
- Doblar la bolsa de basura por encima del depósito.
Asegurarse de que la línea de marcado se encuentra dentro del recipiente y que ambos orificios de ventilación se sitúan en la pared trasera del recipiente.
- Colocar y bloquear el cabezal de aspiración.

Aspiración de líquidos

Montaje del borde de goma

Figura **C**

- Desmontar la tira de cerdas.
- Montar los labios de goma.

Quitar el fieltro filtrante

Figura D

- Desbloquear y extraer el cabezal de aspiración.
- Extraer hacia arriba la bolsa filtrante de fieltro en la brida.
- Cerrar herméticamente la bolsa filtrante de fieltro con una tapa de cierre.
- Colocar y bloquear el cabezal de aspiración.
- Para aspirar suciedad líquida se debe retirar el fieltro filtrante.

Eliminar la bolsa de desechos

Figura E

- Desbloquear y extraer el cabezal de aspiración.
- Doblar hacia arriba la bolsa de desechos.
- Cerrar herméticamente la bolsa para eliminación de residuos con abrazadera de cables por debajo del orificio.
- Extraer la bolsa de basura.
- Colocar y bloquear el cabezal de aspiración.
- Para aspirar suciedad líquida se debe retirar siempre la bolsa de basura.

Purgue el agua sucia

Solo NT 50/1:

Figura F

- Suelte el agua residual a través de la manguera de salida.

General

- Al aspirar suciedad húmeda con la boquilla para tapicerías o juntas, o cuando se aspira principalmente agua de un recipiente, se recomienda desactivar la función „Limpieza automática del filtro“.
- Al alcanzar el máx. nivel de líquido se apaga automáticamente el aparato.
- **En el caso de líquidos no conductores (como emulsión de taladro, aceites y grasas), no se apaga el aparato cuando el recipiente esté lleno. Se debe comprobar el nivel continuamente y vaciar a tiempo el recipiente.**

- Tras finalizar la aspiración de líquidos: limpiar el filtro plano de papel plegado con la limpieza de filtros. Limpiar los electrodos con un cepillo. Limpiar y secar el recipiente con un paño húmedo.

Enganche de clip

Figura G

La manguera de aspiración está equipada con un sistema de clip. Todas las piezas de accesorios con un ancho nominal de 1.38 in (35 mm) se pueden conectar.

Manejo

Interruptor giratorio

0 OFF	Aparato APAGADO
1 ON	Aparato ENCENDIDO Limpieza automática de filtros: APAGADA
2 TACT MAX	Aparato ENCENDIDO Limpieza automática de filtros: intervalo máximo
3 TACT MIN	Aparato ENCENDIDO Limpieza automática de filtros: intervalo mínimo

Conexión del aparato

- Enchufe la clavija de red.
- Ajustar el selector giratorio al programa deseado.

Ajustar la potencia de aspiración

Solo para aparatos con clavija integrada:

- Ajustar la potencia de aspiración (min-max) en la rosca de regulación.

Trabajar con herramientas eléctricas

Solo para aparatos con clavija integrada:

⚠ PELIGRO

¡Peligro de lesiones y daños! La clavija sólo está diseñada para la conexión directa de herramientas eléctricas al aspirador. No está permitido utilizar la clavija de enchufe para otros fines.

- Introducir la clavija de red de la herramienta eléctrica en el aspirador.
El aspirador está en modo standby.
- Conectar el aparato en el interruptor giratorio.


Nota: La aspiradora se enciende y apaga automáticamente con la herramienta eléctrica.

Nota: La aspiradora tiene un retraso de arranque de hasta 0,5 segundos y hasta 15 segundos de marcha en inercia.

Nota: Valor de potencia de conexión de las herramientas eléctricas, véase Datos técnicos.

Figura 

- Retirar el codo de la manguera de succión.
- Montar el adaptador de herramientas a la manguera de succión.

Figura 

- Conectar el adaptador de herramientas a la herramienta eléctrica.

Limpieza automática de filtro

El equipo proporciona una limpieza automática de filtros especial, muy efectiva con el polvo fino. Para ello, el filtro plegado plano se limpia automáticamente cada 15 segundos (TACT MÁX) o cada 60 segundos (TACT MÍN) mediante una descarga de aire (sonido de impulsos).

- Ajustar el selector giratorio al programa deseado (TACT MÍN-TACT MÁX).

Figura 

- Limpieza power (cuando el filtro plegado plano esté especialmente sucio):
Ajustar el selector giratorio al programa 2, cerrar el tubo de aspiración o el codo con la mano y esperar a la limpieza automática de filtros (cada 15 segundos).

Desconexión del aparato

- Desconectar el aparato en el interruptor giratorio.
- Extraer el enchufe de la red.

Después de cada puesta en marcha

- Vacíe el recipiente.
- Limpie el aparato por dentro y por fuera aspirándolo y frotar con un paño húmedo.

Plegar/desplegar el estribo de empuje

Solo NT 50/1:

- Soltar el bloqueo del estribo de empuje y ajustarlo.

Almacenamiento del aparato

Figura 

- Almacene la manguera de aspiración y el cable de acuerdo con la ilustración.
- Coloque el aparato en un cuarto seco y protéjalo frente a un uso no autorizado.

Transporte

⚠ PRECAUCIÓN

¡Peligro de lesiones y daños! Respetar el peso del aparato para el transporte.

- Sacar el tubo de aspiración con la boquilla para suelos del soporte. Coger el aparato por el asa y la tubería de aspiración para el transporte, no por el estribo de empuje.
- Al transportar en vehículos, asegurar el aparato para evitar que resbale y vuelque conforme a las directrices vigentes.

Almacenamiento

⚠ PRECAUCIÓN

¡Peligro de lesiones y daños! Respetar el peso del aparato en el almacenamiento.
Este aparato sólo se puede almacenar en interiores.

Cuidados y mantenimiento

⚠ PELIGRO

Antes de efectuar cualquier trabajo en el aparato, hay que desconectar de la red eléctrica.

Cambiar el filtro plano de papel plegado

Figura **L**

- Abrir la cubierta del filtro.
- Extraer el bastidor del filtro.
- Cambiar el filtro plano de papel plegado. A la hora del montaje, procurar que el filtro plegado plano encaje correctamente en todos los lados.
- Colocar el bastidor del filtro.
- Cerrar la cubierta del filtro, se debe oír cómo encaja.

Cambiar el fieltro filtrante

Figura **D**

- Desbloquear y extraer el cabezal de aspiración.
- Extraer hacia arriba la bolsa filtrante de fieltro en la brida.
- Cerrar herméticamente la bolsa filtrante de fieltro con una tapa de cierre.
- Insertar un nuevo fieltro filtrante.
- Colocar y bloquear el cabezal de aspiración.

Cambiar la bolsa de basura

Figura **E**

- Desbloquear y extraer el cabezal de aspiración.
- Doblar hacia arriba la bolsa de desechos.
- Cerrar herméticamente la bolsa para eliminación de residuos con abrazadera de cables por debajo del orificio.
- Extraer la bolsa de basura.
- Colocar una bolsa de basura nueva.
- Doblar la bolsa de basura por encima del depósito.
Asegurarse de que la línea de marcado se encuentra dentro del recipiente y que ambos orificios de ventilación se sitúan en la pared trasera del recipiente.
- Colocar y bloquear el cabezal de aspiración.

Limpiar los electrodos

- Desbloquear y extraer el cabezal de aspiración.
- Limpiar los electrodos con un cepillo.
- Colocar y bloquear el cabezal de aspiración.

Ayuda en caso de avería

⚠ **PELIGRO**

Antes de efectuar cualquier trabajo en el aparato, hay que desconectar de la red eléctrica.

La turbina de aspiración no funciona

- Comprobar la clavija y el seguro del suministro de corriente.
- Comprobar el cable, enchufe, electrodos y, si es necesario, clavija del enchufe del aparato.
- Conexión del aparato

La turbina de aspiración se desconecta

- Vacíe el recipiente.

La turbina de aspiración no funciona tras vaciar el recipiente

- Apagar el aparato, esperar 5 segundos y volver a encender tras 5 segundos.
- Limpiar los electrodos y el espacio entre los electrodos con un cepillo.

La capacidad de aspiración disminuye

- Eliminar las obstrucciones de la boquilla, tubo o manguera de aspiración o el filtro plano de papel plegado.
- Cambiar el fieltro filtrante lleno.
- Cambiar las bolsas de basura llenas.
- Encajar correctamente la cubierta del filtro.
- Cambiar el filtro plano de papel plegado.
- Solo NT 50/1:
Comprobar si la tubería de salida es estanca.

Pérdida de polvo durante la aspiración

Figura M

- Comprobar/corregir la posición de montaje del filtro plano de papel plegado.
- Cambiar el filtro plano de papel plegado.

El sistema automático de desconexión (aspiración en húmedo) no arranca

- Limpiar los electrodos y el espacio entre los electrodos con un cepillo.
- Controlar el nivel del líquido no conductor de electricidad permanentemente.

La limpieza automática de filtro no funciona

- La manguera de aspiración no está no conectada.

La limpieza automática de filtro no se puede apagar

- Avisar al servicio técnico.

La limpieza automática de filtro no se puede encender

- Avisar al servicio técnico.

Servicio de atención al cliente

Si la avería no se puede solucionar el aparato debe ser revisado por el servicio técnico.

Garantía

En todos los países rigen las condiciones de garantía establecidas por nuestra empresa distribuidora. Las averías del aparato serán subsanadas gratuitamente dentro del periodo de garantía, siempre que se deban a defectos de material o de fabricación. En un caso de garantía, le rogamos que se dirija con el comprobante de compra al distribuidor donde adquirió el aparato o al servicio al cliente autorizado más próximo a su domicilio.

Accesorios y piezas de repuesto

Utilice solamente accesorios y recambios originales, ya que garantizan un funcionamiento correcto y seguro del equipo. Puede encontrar información acerca de los accesorios y recambios en www.kaercher.com.

Datos técnicos

		NT 30/1 Tact	NT 40/1 Tact	NT 50/1 Tact	NT 30/1 Tact Te	NT 40/1 Tact Te	NT 50/1 Tact Te
Tensión de red	V	120	120	120	120	120	120
Frecuencia	Hz	1~ 60	1~ 60	1~ 60	1~ 60	1~ 60	1~ 60
Corriente nominal	A	9	9	9	15	15	15
Capacidad del depósito	gal (l)	8.2 (31)	10.3 (39)	13.5 (51)	8.2 (31)	10.3 (39)	13.5 (51)
Cantidad de líquido	gal (l)	4.5 (17)	6.3 (24)	9.2 (35)	4.5 (17)	6.3 (24)	9.2 (35)
Cantidad de aire (máx.)	CFM (l/s)	150 (71)	150 (71)	150 (71)	150 (71)	150 (71)	150 (71)
Depresión (máx.)	mm (kPa)	2468 (24.2)	2468 (24.2)	2468 (24.2)	2468 (24.2)	2468 (24.2)	2468 (24.2)
Valor de conexión de potencia de las herramientas eléctricas	A	--	--	--	6	6	6
Superficie del filtro plano de papel plegado	sq ft (m ²)	6.5 (0.6)	6.5 (0.6)	6.5 (0.6)	6.5 (0.6)	6.5 (0.6)	6.5 (0.6)
Categoría de protección	--	IPX4	IPX4	IPX4	IPX4	IPX4	IPX4
Clase de protección	--	I	I	I	I	I	I
Diámetro de la manguera de aspiración	in (mm)	1.38 (35)	1.38 (35)	1.38 (35)	1.38 (35)	1.38 (35)	1.38 (35)
Longitud de la manguera de aspiración	ft (m)	8.2 (2.5)	8.2 (2.5)	8.2 (2.5)	13.1 (4.0)	13.1 (4.0)	13.1 (4.0)
Longitud x anchura x altura	in (mm)	22.0 x 14.6 x 22.8 (560 x 370 x 580)	22.0 x 14.6 x 25.8 (560 x 370 x 655)	25.2 x 14.6 x 41.1 (640 x 370 x 1045)	22.0 x 14.6 x 22.8 (560 x 370 x 580)	22.0 x 14.6 x 25.8 (560 x 370 x 655)	25.2 x 14.6 x 41.1 (640 x 370 x 1045)
Peso de funcionamiento típico	lbs (kg)	29.8 (13.5)	31.7 (14.4)	40.3 (18.3)	29.8 (13.5)	31.7 (14.4)	40.3 (18.3)

Valores calculados conforme a la norma EN 60335-2-69

Nivel de presión acústica L _{pA}	dB(A)	68	68	68	68	68	68
Inseguridad K _{pA}	dB(A)	1	1	1	1	1	1

Cable de conexión a la red	SJOW 3/16 AWG	
Tact	No. de pieza	Longitud del cable
CUL	6.650-829.0	25 ft (7.5 m)

Cable de conexión a la red	SJOW 3/14 AWG	
Tact Te	No. de pieza	Longitud del cable
CUL	6.650-530.0	25 ft (7.5 m)

Filtersysteme / Filter Systems / Système de filtres

	Flachfalten- filter (PES) * Flat pleated filter (PES) * Filtre plat à plis (PES) *	Flachfalten- filter (PTFE) * Flat pleated filter (PTFE) * Filtre plat à plis (PTFE) *	Flachfalten- filter (HEPA PTFE) * Flat pleated filter (HEPA PTFE) * Filtre plat à plis (HEPA PTFE) *	Vliesfiltertüte, 3-lagig * Fleece filter bag, triple layered * Sachet filtre en tissu non tissé à 3 épaisseurs *	Entsorgungs- beutel Disposal bag Sachet d'élimination
Bestell-Nr. Order No. Numéro de référence NT 30/1	6.904-360	6.907-455	6.907-629	2.889-154	2.889-158
Bestell-Nr. Order No. Numéro de référence NT 40/1, NT 50/1	6.904-360	6.907-455	6.907-629	2.889-155	2.889-158
Menge Quantity Quantité	1	1	1	5	10
Normalstäube Normal dust Poussières normales	X	X	X	X	X
Feinstäube Fine dust Poussières fines	X	X	X	X	X
Abrasive Stäube Abrasive dust Poussières abrasives	X	X	X	X	X
Flüssigkeiten, nasser Schmutz Liquids, wet dirt Liquides, saletés humides	X	X	X		

* Staubklasse M, Rückhaltevermögen $\geq 99,9\%$

* Dust class M, Retention $\geq 99,9\%$

* Classe de poussière M, Conservation $\geq 99,9\%$



<http://www.kaercher.com/dealersearch>

