

2815R2, 2810R2 12815R2, 12810R2

BUSH HOG®

FLEX WING ROTARY CUTTER

Revised 08/19

PARTS MANUAL SECTION 95A



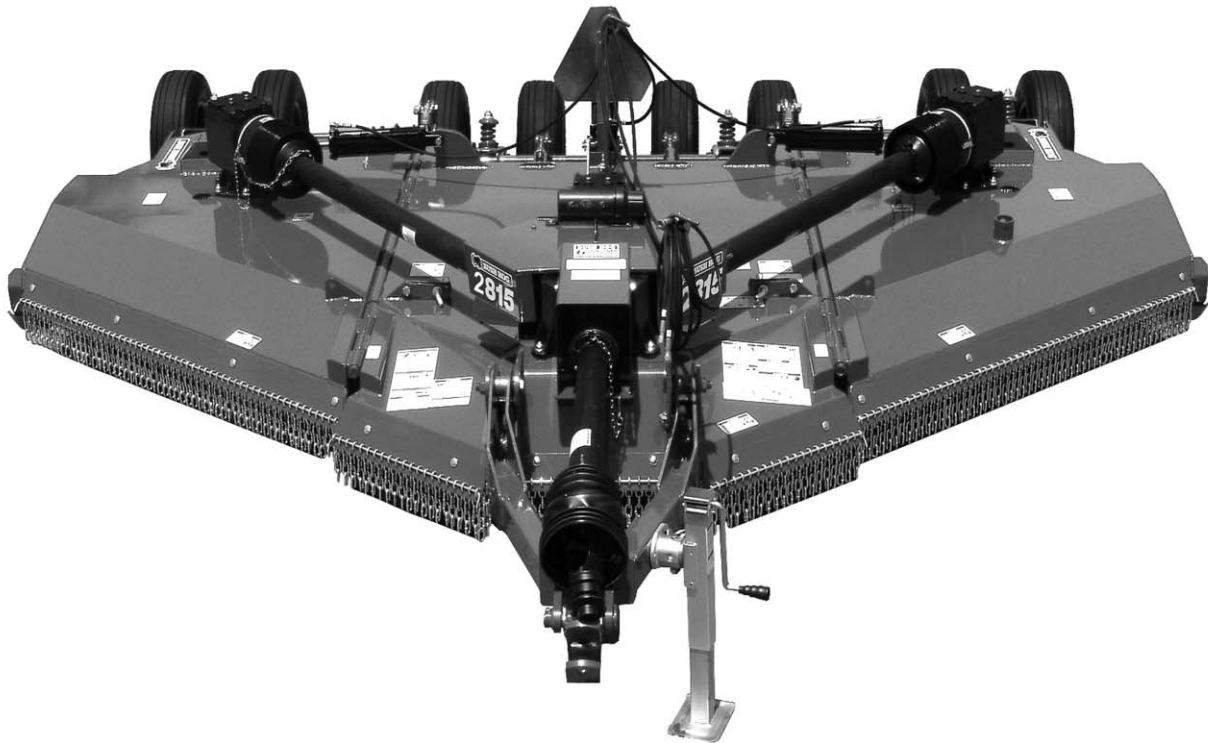
An Operator's Manual was shipped with the equipment. The Operator's Manual is an integral part of the safe operation of this machine and must be maintained with the unit at all times. **READ, UNDERSTAND, and FOLLOW** the Safety and Operation Instructions contained in this manual before operating the equipment. If the Operator's Manual is not with the equipment, contact your dealer or Bush Hog to obtain a copy before operating the equipment.

Safety Video

Important Operating and Safety Instructions are found in the Mower Safety Video that can be instantly accessed on the internet at: www.algqr.com/bve



www.algqr.com/bve



BUSH HOG®

2501 Griffin Ave.
Selma, AL 36703
Parts Ordering 1-800-304-2836
www.bushhog.com

ATENCIÓN!

LEA EL INSTRUCTIVO

Si No Lee Ingles, Pida Ayuda a Alguien
Que Si Lo Lea Para Que le Traduzca las
Medidas de Seguridad.



A MEMBER OF THE
ALAMO GROUP
ALWAYS ON THE CUTTING EDGE®

© 2015 Alamo Group Inc.

PARTS ORDERING GUIDE

The following instructions are offered to help eliminate needless delay and error in processing purchase orders for the equipment in this section.

1. The Parts Section is prepared in logical sequence and grouping of parts that belong to the basic machine featured in this manual. Part Numbers and Descriptions are given to help locate the parts and quantities required.
2. The Purchase Order must include the name and address of the person or organization ordering the parts, who should be charged, and if possible, the serial number of the machine for which the parts are ordered.
3. The Purchase Order must clearly list the quantity of each part, the complete and correct part number (be sure to include all periods), and the basic name of the part.
4. The Manufacturer reserves the right to substitute parts where applicable.
5. Some parts are unlisted items which are special production items not normally stocked and are subject to special handling. Request a quotation for such parts before sending a Purchase Order.
6. The Manufacturer reserves the right to change prices without prior notice.



For maximum safety and to guarantee optimum product reliability, always use genuine BUSH HOG Parts. The use of inferior replacement parts may cause premature or catastrophic failure which could result in serious injury or death. Direct any questions regarding parts to:

BUSH HOG
2501 Griffin Ave.
Selma, AL 36703
www.bushhog.com
Contact Us
800-304-2836



BUSH HOG®

To the Owner/Operator/Dealer


All implements with moving parts are potentially hazardous. There is no substitute for a cautious, safe-minded operator who recognizes the potential hazards and follows reasonable safety practices. The manufacturer has designed this implement to be used with all its safety equipment properly attached to minimize the chance of accidents.

BEFORE YOU START! Read the safety messages on the implement and shown in your manual. Observe the rules of safety and common sense!



DANGER

FAILING TO FOLLOW SAFETY MESSAGES AND OPERATING INSTRUCTION CAN CAUSE SERIOUS BODILY INJURY OR EVEN DEATH TO OPERATOR AND OTHERS IN THE AREA.

<p>1.</p> 	<p>2. NO RIDERS. NO CHILDREN OPERATORS</p> 	<p>3. USE SAFETY SHOES, HARD HAT, SAFETY GLASSES, SEAT BELTS, ROPS & OPS.</p> 	<p>4. BLOCK UP SECURELY BEFORE WORKING UNDER.</p> 
---	--	--	---

1. Study and understand Operator's Manuals, Safety Decals, and Instructional Decals for tractor and implement to prevent misuse, abuse, and accidents. Practice before operating in a confined area or near passersby.
 - Learn how to stop engine suddenly in an emergency. Be alert for passersby and especially children.
2. Allow no children on or near folding mower or tractor. Allow no riders on tractor or implement. Falling off may cause serious injury or death from being run over by tractor or mower or contact with rotating blades.
3. Operate only with tractor having Roll-Over Protective Structure (ROPS) and with seat belt securely fastened to prevent injury and possible death from falling off or tractor overturn.
 - Personal Protective Equipment such as Hard Hat, Safety Glasses, Safety Shoes, & Ear Plugs are recommended.
4. Block up or support raised machine and all lifted components securely before putting hands or feet under or working underneath any lifted component to prevent crushing injury or death from sudden dropping or inadvertent operation of controls. Make certain area is clear before lowering or folding.
5. Before transporting, put Lift Lever in detent or full-lift position. Install Transport Safety Devices securely on folding mowers. Put Booms securely in Transport Rest.
 - Folding and Boom Mowers have raised center of gravity. Slow down when turning and on hillsides.
6. Make certain that SMV sign, warning lights, and reflectors are clearly visible. Follow local traffic codes.
7. Never operate with Cutting Head or Folding Section raised if passersby, bystanders, or traffic are in the area to reduce possibility of injury or death from objects thrown by Blades under Guards or mower structure.
8. Before dismounting, secure implement in transport position or lower to ground.
 - Put tractor in park position or set brake, disengage PTO, stop engine, remove key, and wait until noise of rotation has ceased to prevent crushing by entanglement in rotating parts which could cause injury or death.
 - Never mount or dismount a moving vehicle. Crushing from runover may cause serious injury or death.

<p>5. TRANSPORT SAFELY, LOCK UP.</p> 	<p>6. USE SMV, LIGHTS, & REFLECTORS.</p> 	<p>7. DO NOT OPERATE WITH CUTTER OR WING RAISED</p> 	<p>8. DO NOT MOUNT OR DISMOUNT WHILE MOVING.</p> 
--	--	--	--

02967827

WARRANTY INFORMATION:

Read and understand the complete Warranty Statement found in this Manual. Fill out the Warranty Registration Form in full and return it to within 30 Days. Make certain the Serial Number of the Machine is recorded on the Warranty Card and on the Warranty Form that you retain.

LIMITED WARRANTY



Bush Hog warrants to the original purchaser of any new Bush Hog equipment, purchased from an authorized Bush Hog dealer, that the equipment be free from defects in material and workmanship for a period of one (1) year for non-commercial, state and municipalities' use and ninety (90) days for commercial use from date of retail sale. The obligation of Bush Hog to the purchaser under this warranty is limited to the repair or replacement of defective parts.

Replacement or repair parts installed in the equipment covered by this limited warranty are warranted for ninety (90) days from the date of purchase of such part or to the expiration of the applicable new equipment warranty period, whichever occurs later. Warranted parts shall be provided at no cost to the user at an authorized Bush Hog dealer during regular working hours. Bush Hog reserves the right to inspect any equipment or parts which are claimed to have been defective in material or workmanship.

DISCLAIMER OF IMPLIED WARRANTIES & CONSEQUENTIAL DAMAGES

Bush Hog's obligation under this limited warranty, to the extent allowed by law, is in lieu of all warranties, implied or expressed, **INCLUDING IMPLIED WARRANTIES OF MERCHANTABILITY AND FITNESS FOR A PARTICULAR PURPOSE** and any liability for incidental and consequential damages with respect to the sale or use of the items warranted. Such incidental and consequential damages shall include but not be limited to: transportation charges other than normal freight charges; cost of installation other than cost approved by Bush Hog; duty; taxes; charges for normal service or adjustment; loss of crops or any other loss of income; rental of substitute equipment, expenses due to loss, damage, detention or delay in the delivery of equipment or parts resulting from acts beyond the control of Bush Hog.

THIS LIMITED WARRANTY SHALL NOT APPLY:

1. To vendor items which carry their own warranties, such as engines, tires, and tubes.
2. If the unit has been subjected to misapplication, abuse, misuse, negligence, fire or other accident.
3. If parts not made or supplied by Bush Hog have been used in connection with the unit, if, in the sole judgement of Bush Hog such use affects its performance, stability or reliability.
4. If the unit has been altered or repaired outside of an authorized Bush Hog dealership in a manner which, in the sole judgement of Bush Hog, affects its performance, stability or reliability.
5. To normal maintenance service and normal replacement items such as gearbox lubricant, hydraulic fluid, worn blades, or to normal deterioration of such things as belts and exterior finish due to use or exposure.
6. To expendable or wear items such as teeth, chains, sprockets, belts, springs and any other items that in the company's sole judgement is a wear item.

NO EMPLOYEE OR REPRESENTATIVE OF BUSH HOG IS AUTHORIZED TO CHANGE THIS LIMITED WARRANTY IN ANY WAY OR GRANT ANY OTHER WARRANTY UNLESS SUCH CHANGE IS MADE IN WRITING AND SIGNED BY BUSH HOG'S SERVICE MANAGER, 2501 GRIFFIN AVE., SELMA, ALABAMA 36703.



Record the model number, serial number and date purchased. This information will be helpful to your dealer if parts or service are required.

MODEL NUMBER _____

SERIAL NUMBER _____

DATE OF RETAIL SALE _____

MAKE CERTAIN THE WARRANTY HAS BEEN FILED WITH BUSH HOG SELMA, ALABAMA

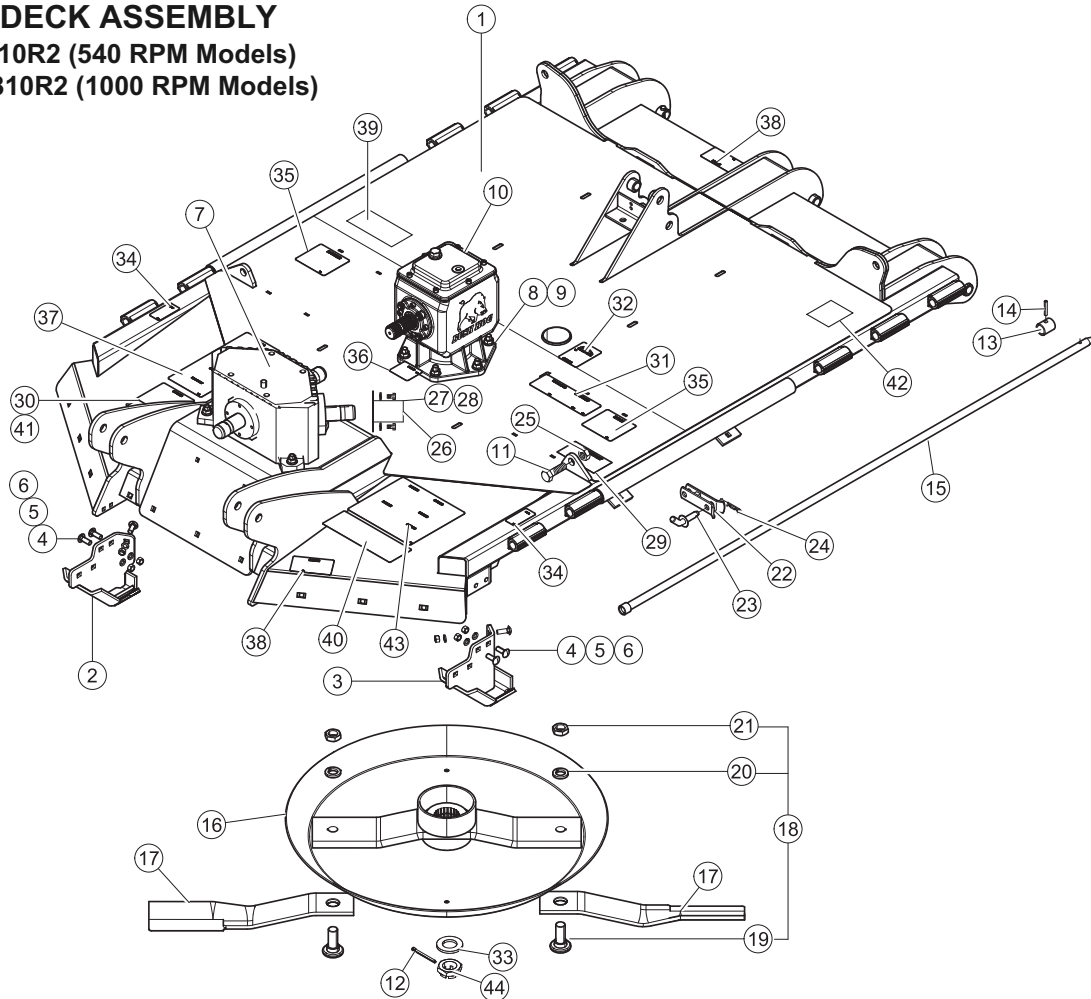
2815R2, 2810R2, 12815R2, 12810R2 ROTARY CUTTER

ALPHABETICAL INDEX

CONTENTS	PAGE
Axle, Center & Wing Units	95A-5-3
Axle, Single & Dual	95A-5-4
Axle, Tandem	95A-5-5
Baffle Kit.....	95A-6-1
Base Assembly, Center	95A-1-1
Base Assembly, R.H. Wing & L.H. Wing.....	95A-1-2
Blades & Blade Holders	See Base Assemblies
Chain, Safety Tow.....	95A-5-1
Chains, Highway Use.....	95A-2-1 through 95A-2-2
Cylinders, Hydraulic	95A-7-2
Decal Kits	95A-8-1, See Base Assemblies
Driveline Holder Assembly	95A-5-2
Driveshafts, Comer / EG	95A-4-1 through 95A-4-6
Gearbox, Transfer 540 RPM (Mfg. by Bondioli & Pavesi).....	95A-3-1
Gearbox, Transfer 540 RPM (Mfg. by COMER)	95A-3-9
Gearbox, Transfer 1000 RPM (Mfg. by Bondioli & Pavesi).....	95A-3-2
Gearbox, Transfer 1000 RPM (Mfg. by Comer).....	95A-3-3
Gearbox, Center and L.H. Wing 540 RPM (OBSOLETE).....	95A-3-4
Gearbox, Center and L.H. Wing 540 RPM (CURRENT).....	95A-3-10
Gearbox, R.H. Wing 540 RPM (OBSOLETE).....	95A-3-5
Gearbox, R.H. Wing 540 RPM (CURRENT).....	95A-3-12
Gearbox, Center 1000 RPM (OBSOLETE).....	95A-3-6
Gearbox, Center 1000 RPM (CURRENT)	95A-3-11
Gearbox, L.H. Wing 1000 RPM (OBSOLETE).....	95A-3-7
Gearbox, L.H. Wing 1000 RPM (CURRENT)	95A-3-13
Gearbox, R.H. Wing 1000 RPM (OBSOLETE).....	95A-3-8
Gearbox, R.H. Wing 1000 RPM (CURRENT)	95A-3-14
Hitch Assemblies, Swivel Pivot.....	95A-5-2
Hydraulic Fittings To Tractor Remotes	95A-7-1
Jackstand	95A-5-1
Leveling Rod Assembly	95A-5-1
Shield, Wing Driveshafts.....	95A-2-4
Shield Assembly, Center.....	95A-2-3
SMV Sign & Hose Holder.....	95A-1-4
Tire, Airplane.....	95A-5-7
Tire, Solid & Foam Filled.....	95A-5-6
Tongue Assembly	95A-5-1
Weight Box Assembly, 2810R2 & 12810R2	95A-1-3

CENTER DECK ASSEMBLY

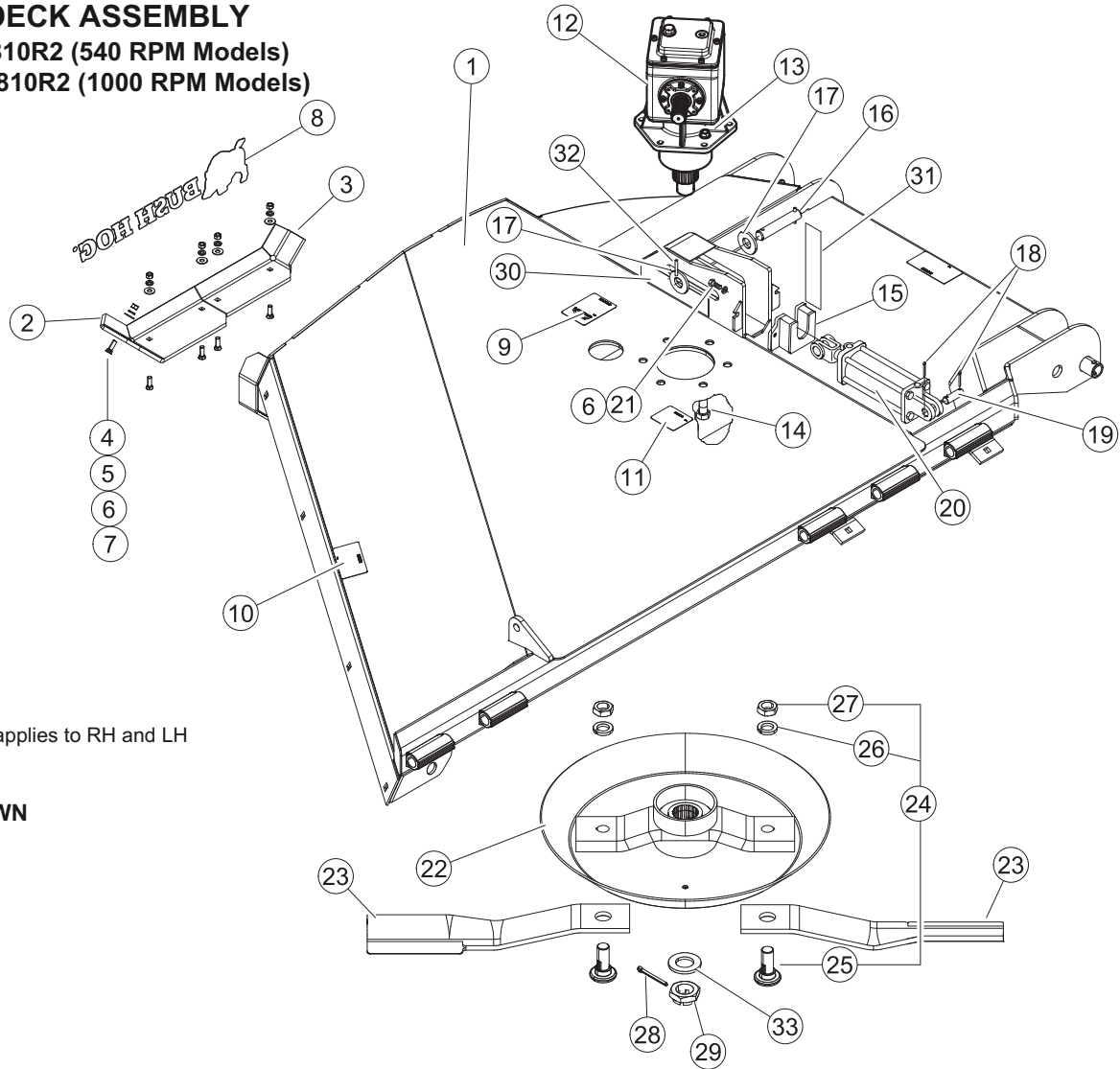
2815R2 & 2810R2 (540 RPM Models)
12815R2 & 12810R2 (1000 RPM Models)



REF. NO.	PART NO.	DESCRIPTION	QTY.	REF. NO.	PART NO.	DESCRIPTION	QTY.
1	50069430	Center Deck w/Decals	1	21	252BH	Jamb Nut, 1-1/8"	2
	50069442	Center Deck w/Rings & Decals	1	22	50028476	Wing Latch	2
2	50076524	Skid R.H.	1	23	84672	Pin	2
3	50076525	Skid L.H.	1	24	1273BH	Presto Pin	2
4	5161614	Carriage Bolt, 1/2" x 1-1/2" Gr. 5	6	25	20638	Locknut, 3/4"	2
5	15806	Lockwasher, 1/2"	6	26	50028363	Shaft Cover (2810, 12810)	1
6	8151600	Hex Nut, 1/2"	6	27	90560	Capscrew, M8 x 1.25 x 25	2
7	-----	Transfer Gearbox (540 - B&P)	1	28	44311BH	Lockwasher, M8	2
	-----	Transfer Gearbox (1000 - B&P)	1	29	91443	Decal, Important	1
	-----	Transfer Gearbox (1000 - Comer)	1	30	D547	Decal, Danger	1
8	50020970	Capscrew, 5/8" x 2-1/4" Gr. 8	10	31	D813	Decal, Danger	1
9	20414	Locknut, 5/8" Flanged	10	32	D551	Decal, Blade Rotation CCW	1
10	-----	Gearbox (540 RPM)	1	33	50071362	Spring Washer	1
	-----	Gearbox (1000 RPM)	1	34	D555	Decal, Danger	2
11	1162424	Capscrew 3/4" x 2-1/2" Gr. 5	2	35	D565	Decal, Danger	2
12	50071364	Cotter Pin M10 x 100	1	36	D546	Decal, Danger	1
13	91900BH	Lock Collar	2	37	D553	Decal, Warning	1
14	19529	Roll Pin, 3/8" x 1-1/2"	2	38	D614	Decal, Danger - Thrown Obj.	2
15	50069410	Hinge Rod	2	39	D559	Decal, Bush Hog Parts	1
16	50069797	Pan Weldment	1	40	D587	Decal, Lubrication	1
17	50076631	Blade, Parallel Uplift	2	41	D548	Decal, Warning (1000 RPM Only)	1
18	63607	Blade Bolt Kit	2	42	D575	Decal, Danger (Crushing Hazard)	1
19	7919BH	Blade Bolt	2	43	D549	Decal, Sheet	1
20	20322	Lockwasher, 1-1/8"	2	44	50071363	Caster Nut, 2" - 12 (Blade Pan)	1

WING DECK ASSEMBLY

2815R2 & 2810R2 (540 RPM Models)
12815R2 & 12810R2 (1000 RPM Models)

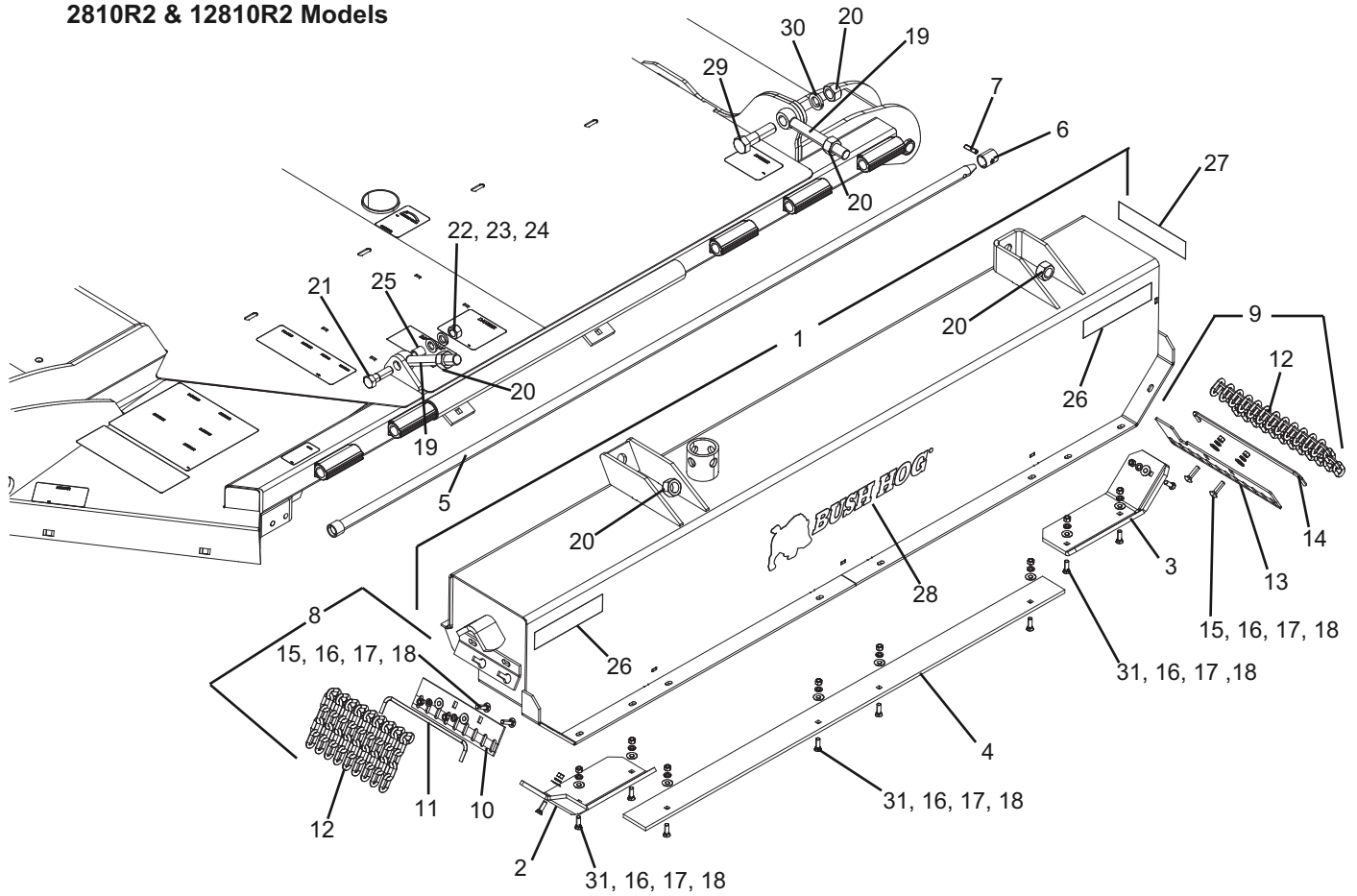


This Parts Listing applies to RH and LH Wings.

RH WING SHOWN

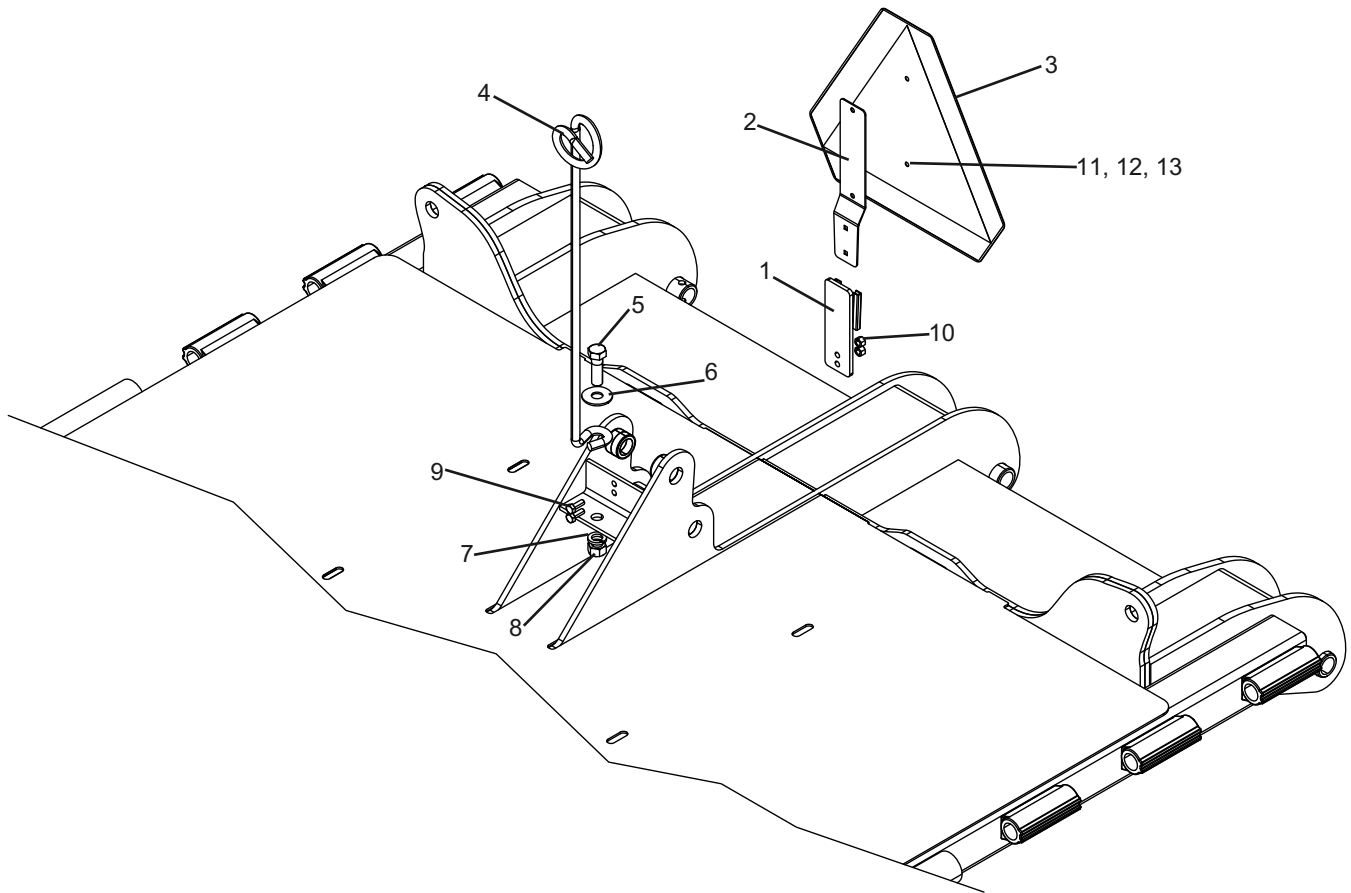
REF. NO.	PART NO.	DESCRIPTION	QTY.	REF. NO.	PART NO.	DESCRIPTION	QTY.
1	50069432	R.H. Wing Frame w/Decals	1	14	50020970	Capscrew, 5/8" x 2-1/4" Gr. 8	6
	50069444	R.H. Wing Frame w/Rings & Decals	1	15	50031959	Push Over Assy	1
	50069431	L.H. Wing Frame w/Decals	1	16	87293	Cylinder Pin	1
	50069443	L.H. Wing Frame w/Rings & Decals	1	17	20376	Flatwasher, 1"	1
2	50069372	Front Skid R.H.	1	18	21020614	Cotter Pin, 3/16" x 1-1/2"	2
	50069374	Front Skid L.H.	1	19	95425	Pin	1
3	50069369	Rear Skid R.H.	1	20	99564	Wing Lift Cylinder	1
	50069371	Rear Skid L.H.	1	21	20034	Capscrew, 3/8" x 1"	2
4	3161212	Plow Bolt, 3/8" x 1-1/4"	5	22	50069798	Pan Weldment	1
5	15915BH	Flatwasher, 3/8"	5	23	50076631	Blade, Uplift CCW R.H. Wing	2
6	15812	Lockwasher, 3/8"	6		50076632	Blade, Uplift CW L.H. Wing	2
7	8151200	Hex Nut, 3/8"	5	24	63607	Blade Bolt Kit	2
8	50061049	Decal, Bush Hog	1	25	7919BH	Blade Bolt	2
9	D551	Decal, Blade Rot. CCW R.H. Wing	1	26	20322	Lockwasher, 1-1/8"	2
	D552	Decal, Blade Rot. CW L.H. Wing	1	27	252BH	Jamb Nut, 1-1/8"	2
10	D614	Decal, Thrown Object	2	28	50071364	Cotter Pin M10 x 100	1
11	D546	Decal, Danger	1	29	50071363	Castle Nut, 2" x12 (Blade Pan)	1
12	-----	Gearbox R.H. 540 RPM	1	30	50031212	Reflector, Amber	1
	-----	Gearbox L.H. 540 RPM	1	31	50031214	Reflector, Red	1
	-----	Gearbox R.H. 1000 RPM	1	32	20325	Roll Pin, 1/4" x 1-3/4"	1
	-----	Gearbox L.H. 1000 RPM	1	33	50071362	Washer, Spring	1
13	20414	Locknut, 5/8" Flanged	6				

WEIGHT BOX ASSEMBLY
2810R2 & 12810R2 Models



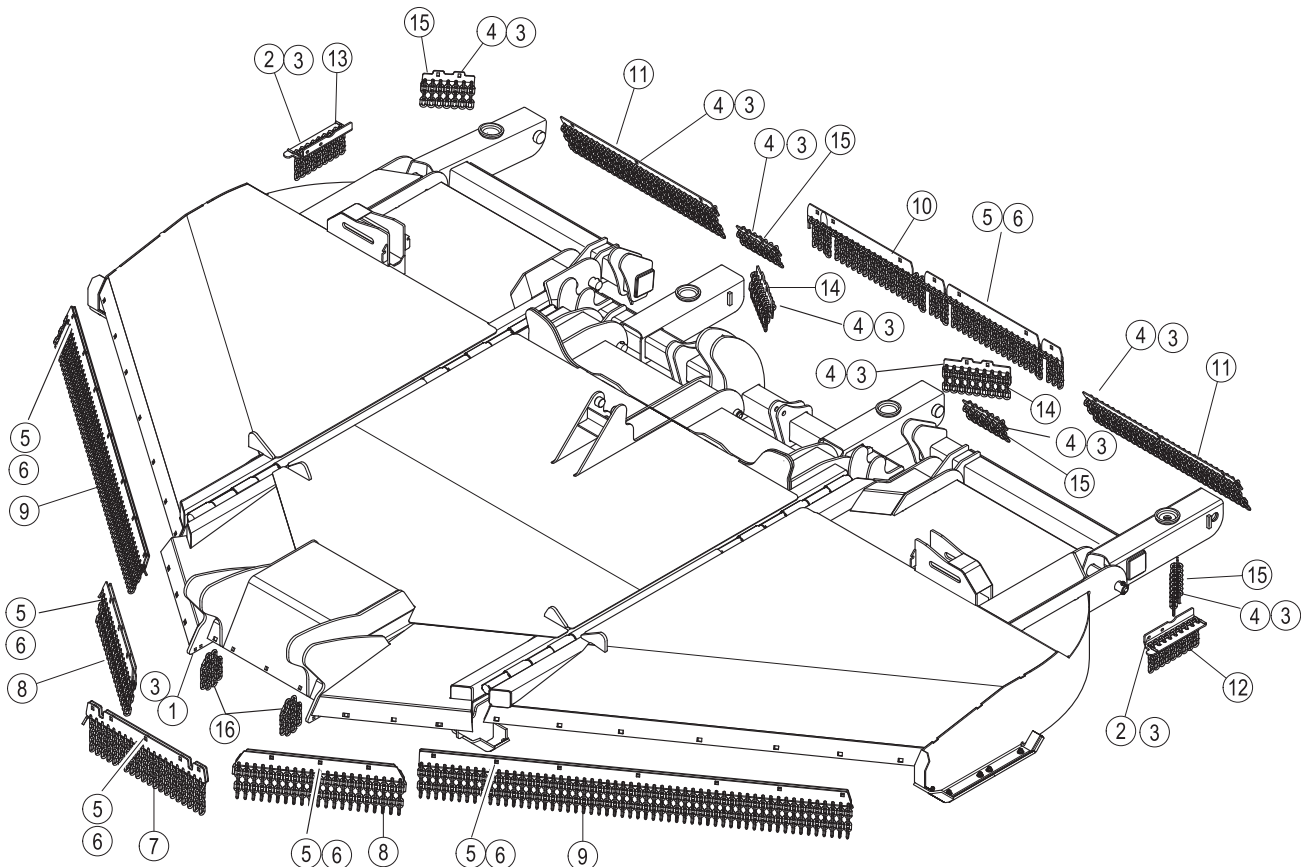
REF. NO.	PART NO.	DESCRIPTION	QTY.	REF. NO.	PART NO.	DESCRIPTION	QTY.
1	50070499	Weight Box Assy	1	15	44286	Carriage Bolt, 3/8" x 1-1/2"	4
2	50069374	Skid, Front L.H.	1	16	15915	Flatwasher, 3/8"	14
3	50069372	Skid, Front R.H.	1	17	15812	Lockwasher, 3/8"	14
4	50070514	Skid	1	18	8151200	Hex Nut, 3/8"	14
5	50069410	Hinge Rod	1	19	87052	Eyebolt	2
6	91900BH	Lock Collar	1	20	19502	Hex Nut, 1"	5
7	19529	Roll Pin, 3/8" x 1-1/2"	1	21	1162424	Capscrew, 3/4" x 2-1/2"	1
8	50070502	Chain Assy, Front (Single)	1	22	20638	Locknut, 3/4"	1
	50070500	Chain Assy, Front (Double)	1	23	146	Lockwasher, 3/4"	1
9	50070503	Chain Assy, Rear (Single)	1	24	119	Flatwasher, 3/4"	1
	50070501	Chain Assy, Rear (Double)	1	25	50038099	Bushing	1
10	50070517	Chain Support (Front)	1	26	50031212	Reflector, Amber	2
11	50069724	Rod, Chain	1	27	50031214	Reflector, Red	1
12	50017264	Chain, 5 Link (Single Row)	21	28	50061049	Decal, Bush Hog	1
	50029803	Chain, 9 Link (Double Row)	21	29	19060	Capscrew, 1" x 3-3/4"	1
13	50070519	Chain Support (Rear)	1	30	15821	Lockwasher, 1"	1
14	50070518	Rod, Chain	1	31	3161212	#3 Hd Plow Bolt, 3/8" x 1-1/4" Gr. 5	10

**SMV SIGN & HOSE HOLDER
FOR 2815R2, 2810R2, 12815R2 & 12810R2 MODELS**



REF. NO.	PART NO.	DESCRIPTION	QTY.
1	50069386	SMV Mount Weldment	1
2	2438621	SMV Spade Bracket	1
3	94359	SMV Sign	1
4	12031	Rod, Hose Holder	1
5	20947	Capscrew, 5/8" x 2" Gr. 5	1
6	15925	Flatwasher, 5/8"	1
7	19486	Lockwasher, 5/8"	1
8	15563	Hex Nut, 5/8"	1
9	1161010	Capscrew, 5/16" x 1" Gr. 5	2
10	15602BH	Locknut, 5/16"	2
11	1160807	Capscrew, 1/4" x 7/8" Gr. 5	2
12	15905	Lockwasher, 1/4"	2
13	15531BH	Hex Nut, 1/4"	2

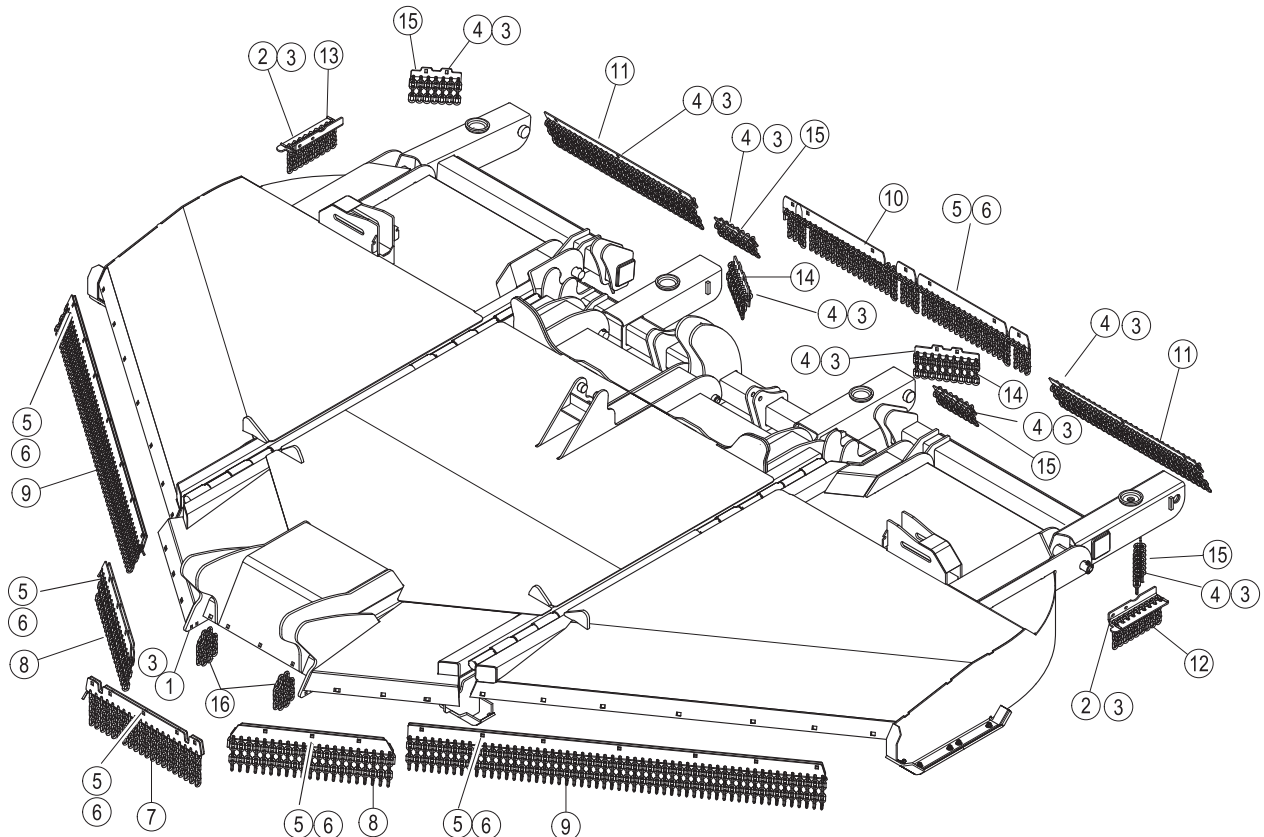
**FRONT AND REAR
SINGLE ROW HIGHWAY CHAINS**
2815R2 & 2810R2 (540 RPM Models)
12815R2 & 12810R2 (1000 RPM Models)



REF. NO.	PART NO.	DESCRIPTION	QTY.	REF. NO.	PART NO.	DESCRIPTION	QTY.
1	44286	Carriage Bolt, 3/8" x 1-1/2" Gr. 5	8	11	50069736	Rear Wing Chain Assy	2
2	45129BH	Capscrew, 3/8" x 1-1/4" Gr. 5	4		50017211	Chain, Plated	28
3	45073	Hex Nut, 3/8"	26	12	50069739	Chain Assy, L.H. Wing	1
4	5161212	Carriage Bolt, 3/8" x 1-1/4"	18		50018912	Chain, Plated - 4 Link	9
5	5161614	Carriage Bolt, 1/2" x 1-1/2"	23	13	50069738	Chain Assy, R.H. Wing	1
6	19518	Flanged Lock Nut, 1/2"	32		50018912	Chain, Plated - 4 Link	9
7	50071747	Front Center Chain Assy	1	14	50071185	Chain Assy Wing Axle, Inside	2
	50017264	Chain, Plated	20		50018912	Chain, Plated - 4 Link	9
8	50071748	Front Outside Chain Assy	2	15	50069737	Chain Assy Wing Axle	4
	50017264	Chain, Plated	21		50018912	Chain, Plated - 4 Link	7
9	50071746	Front Wing Chain Assy	2	16	50029803	Chain, Plated - 9 Link	4
	50017264	Chain, Plated	56				
10	50069740	Rear Center Chain Assy	1				
	50017264	Chain, Plated	41				
	50018912	Chain, Plated - 4 Link	4				

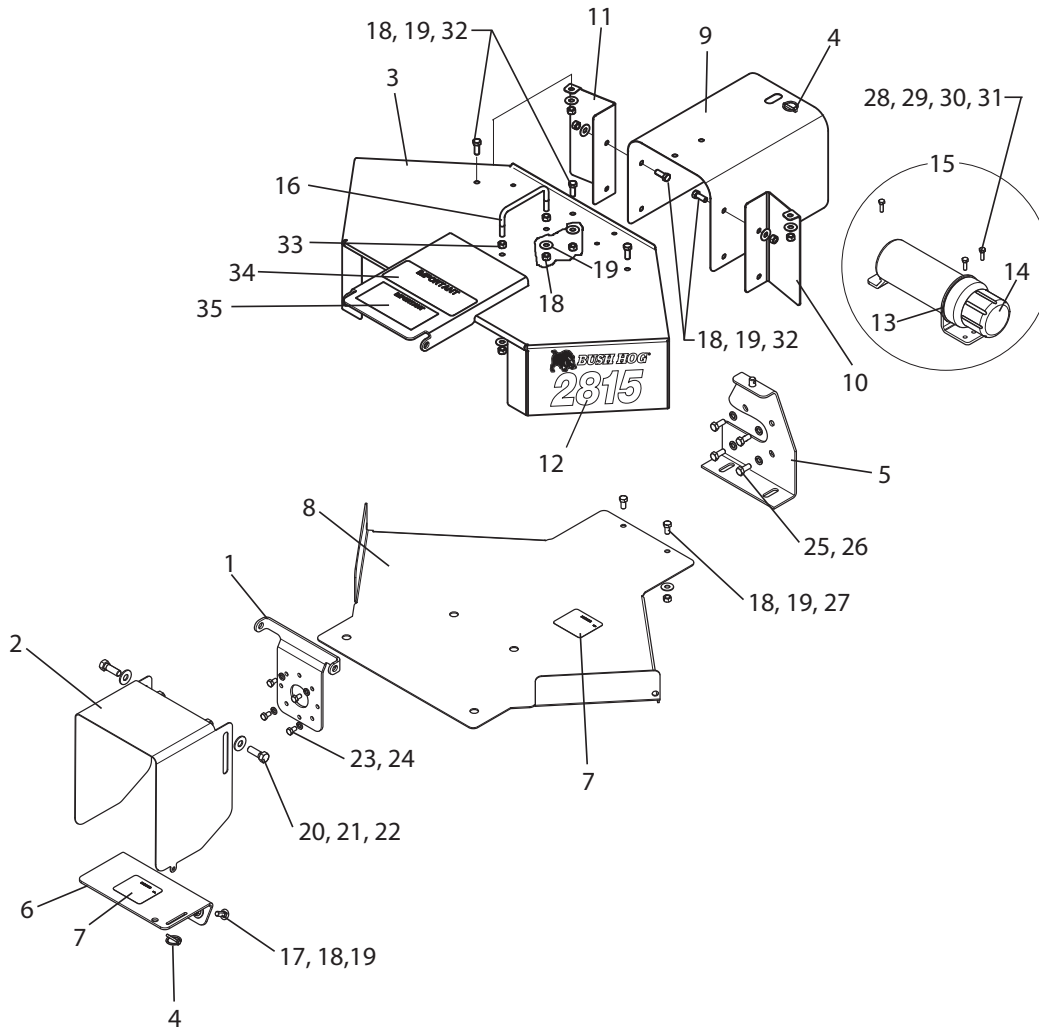
FRONT AND REAR DOUBLE ROW HIGHWAY CHAINS

2815R2 & 2810R2 (540 RPM Models)
12815R2 & 12810R2 (1000 RPM Models)



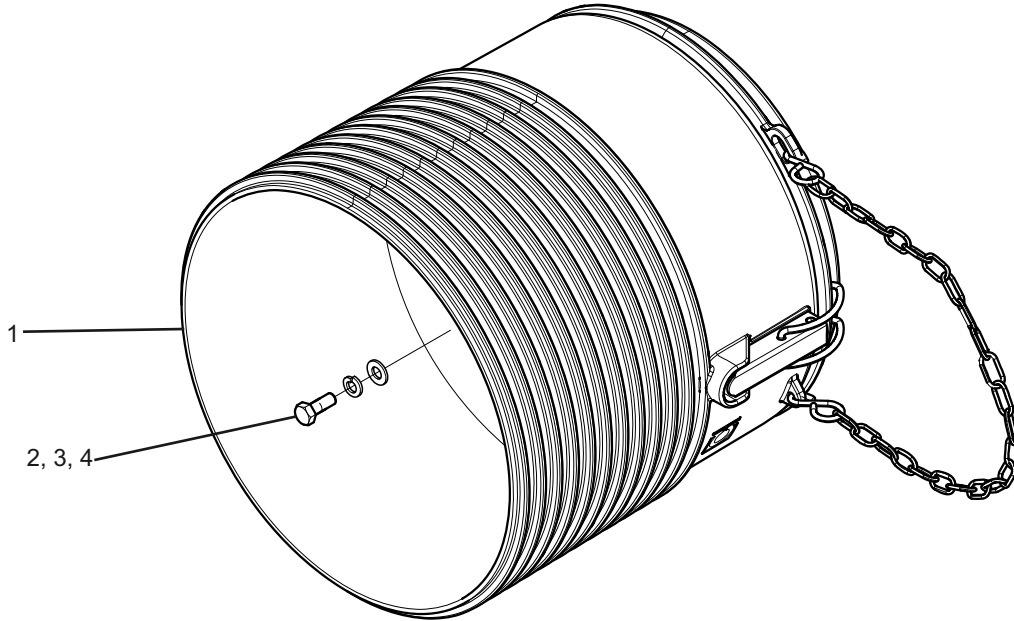
REF. NO.	PART NO.	DESCRIPTION	QTY.	REF. NO.	PART NO.	DESCRIPTION	QTY.
1	44286	Carriage Bolt, 3/8" x 1-1/2" Gr. 5	8	11	50070271	Rear Wing Chain Assy	2
2	45129BH	Capscrew, 3/8" x 1-1/4" Gr. 5	4		50017213	Chain, Plated - 11 link	28
3	45073	Hex Nut, 3/8"	26	12	50070273	Chain Assy, L.H. Wing	1
4	5161212	Carriage Bolt, 3/8" x 1-1/4"	18		50017212	Chain, Plated - 7 Link	9
5	5161614	Carriage Bolt, 1/2" x 1-1/2"	23	13	50070274	Chain Assy, R.H. Wing	1
6	19518	Flanged Lock Nut, 1/2"	32		50017212	Chain, Plated - 7 Link	9
7	50071750	Front Center Chain Assy	1	14	50071187	Chain Assy Wing Axle, Inside	2
	50029803	Chain, Plated (9 Link)	20		50029803	Chain, Plated - 9 Link	9
8	50071751	Front Outside Chain Assy	2	15	50070272	Chain Assy Wing Axle	4
	50029803	Chain, Plated (9 Link)	21		50017212	Chain, Plated - 7 Link	7
9	50071749	Front Wing Chain Assy	2	16	50029803	Chain, Plated - 9 Link	4
	50029803	Chain, Plated (9 Link)	56				
10	50070270	Rear Center Chain Assy	1				
	50029803	Chain, Plated (9 Link)	41				
	50017212	Chain, Plated (7 Link)	4				

CENTER SHIELD ASSEMBLY



REF. NO.	PART NO.	DESCRIPTION	QTY.	REF. NO.	PART NO.	DESCRIPTION	QTY.
1	50068964	Pivot Bracket	1	18	9131200	Locknut, 3/8"	13
2	50069383	Shield, Input	1	19	15915BH	Flatwasher, 3/8"	13
3	50069455	Shield w/Decals	1	20	15093	Capscrew, 1/2" x 1-1/2"	2
4	69391	Lynch Pin	2	21	15916	Flatwasher, 1/2"	2
5	50070528	Rear Shield Support	1	22	15554	Locknut, 1/2"	2
6	50069424	Input Shield Bottom w/Decal	1	23	90560	Capscrew, M8 x 1.25 x 15	4
7	D546	Decal, Danger	2	24	44311BH	Lockwasher, M8	4
8	50069425	Center Shield Bottom w/Decal	1	25	45244BH	Capscrew, M10 x 1.5 x 25	4
9	50068977	Shield, Rear	1	26	45239	Lockwasher, M10	4
10	50070532	Shield, Transfer L.H.	1	27	19100BH	Capscrew, 3/8" x 3/4" Gr.5	2
11	50070530	Shield, Transfer R.H.	1	28	1160807	Capscrew, 1/4" x 7/8"	3
12	50071611	Model Decal 2815	2	29	15918BH	Flatwasher, 1/4"	3
	50071612	Model Decal 12815	2	30	15905	Lockwasher, 1/4"	3
	50071710	Model Decal 2810	2	31	15531BH	Hex Nut, 1/4"	3
	50071711	Model Decal 12810	2	32	20034	Capscrew, 3/8" x 1" Gr.5	7
13	_____	Seal, Cap	1	33	8151200	Hex Nut, 3/8"	2
14	_____	Cap, Canister	1	34	87340	Decal, Important Lube	1
15	50035829	Canister Assembly	1	35	91443	Decal, Important Slip Clutch	1
16	50027637	U-Bolt	1				
17	44109BH	Carriage Bolt, 3/8" x 1" Gr.5	2				

WING DRIVELINE SHIELDING



REF. NO.	PART NO.	DESCRIPTION	QTY.
1	50062094	Driveling Shield Cone	1
2	90560	Capscrew, M8 x 1.25 x 15	4
3	44311BH	Lockwasher, M8	4
4	44216	Flatwasher, M8	4

50045696 TRANSFER GEARBOX ASSEMBLY. - 540 RPM

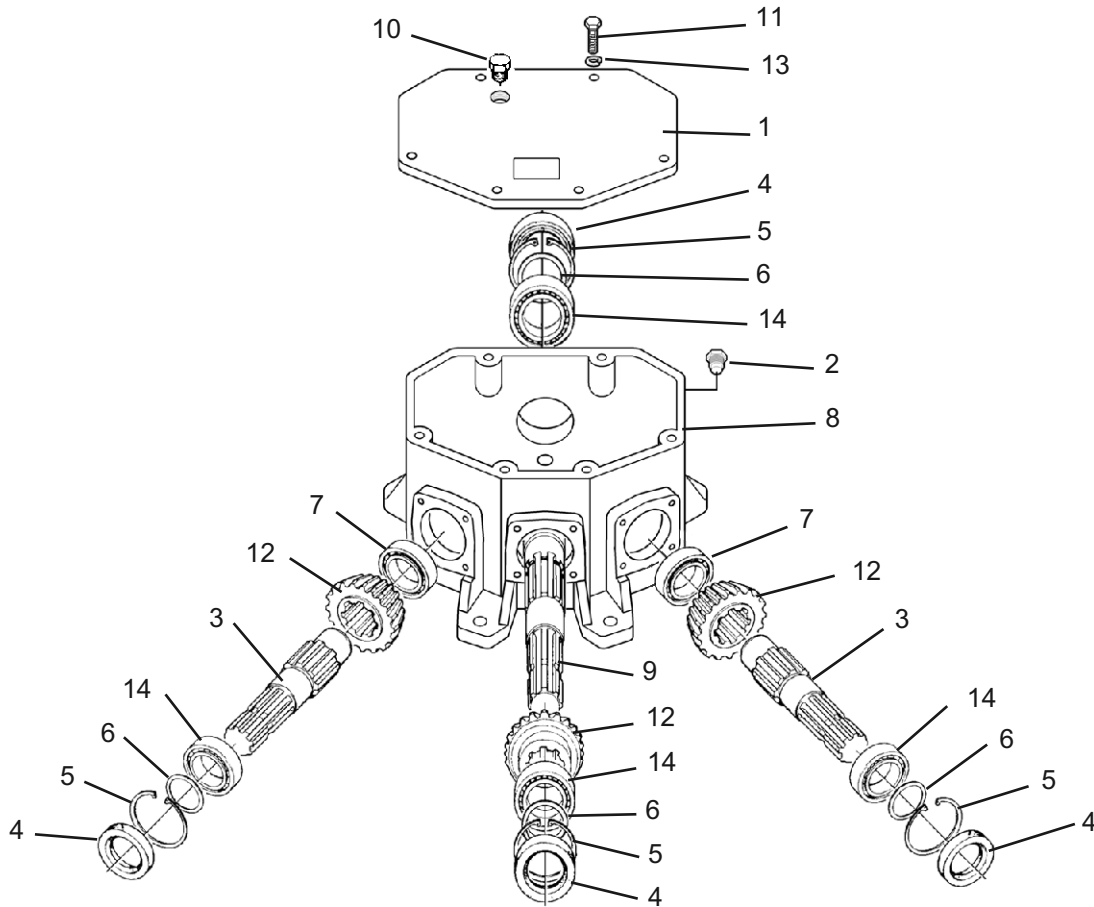
NOTE: FOR COMPLETE ASSEMBLY REPLACEMENT ORDER 71202 GEARBOX AS-

SEMBLY

MFG. BY BONDIOLI & PAVESI

MODEL 2815R2 & 2810R2 (540 RPM)

THIS GEARBOX ASSY. REPLACED BY 71202 GEARBOX ASSY.



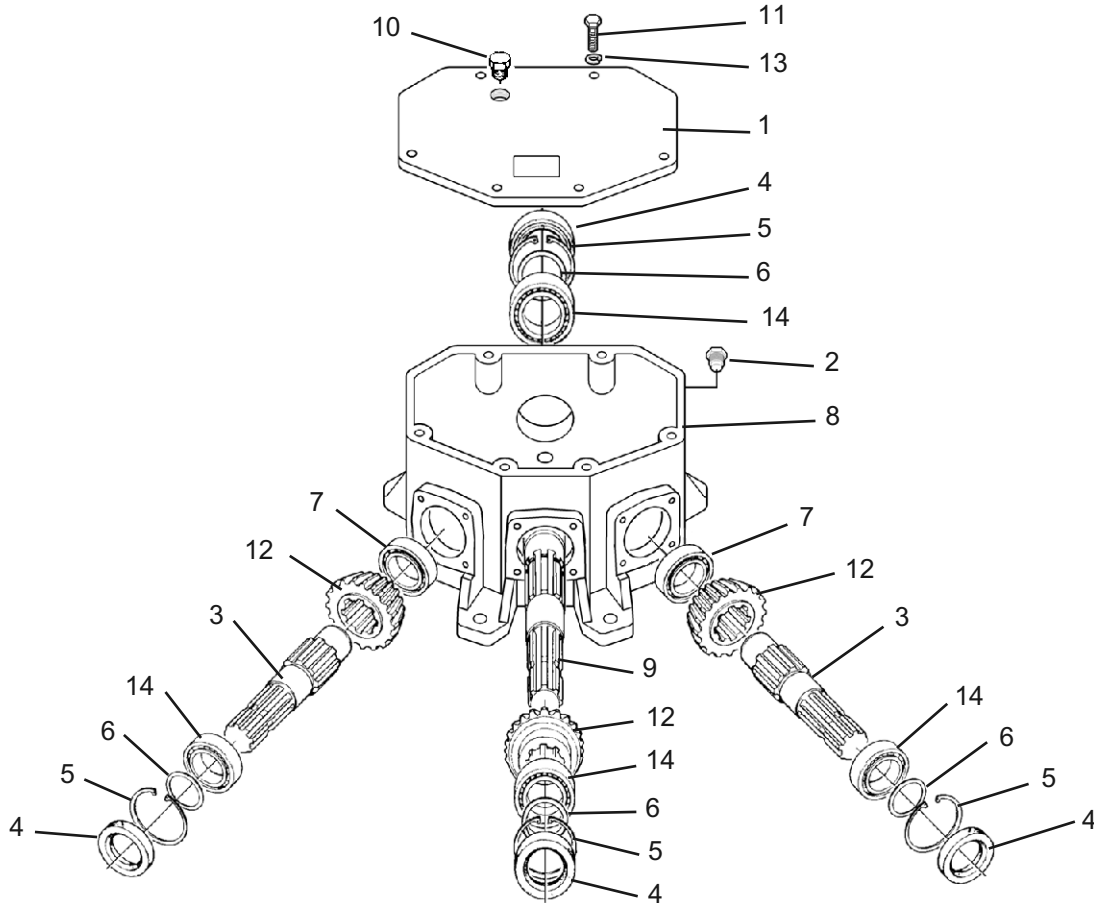
REF. NO.	PART NO.	DESCRIPTION	QTY.
1	50066914	Top Cover	1
2	50066915	Drain Plug (Magnetic)	1
3	50066917	Output Shafts 1-3/4" 20 Spline	2
4	50066918	Oil Seal	4
5	50066919	Snap Ring 85 x 4mm	4
6	50066920	Shim Kit	4
7	70797	Bearing 35 x 72 x 18.25mm	2
8	50066922	Housing	1
9	50066923	Input Shaft	1
10	50066924	Breather Plug (Gas) 3/8"	1
11	50066925	Capscrew M10 x 22 x 1.5 C8.8	6
12	50066916	Gear Set for 540 RPM Gearbox 50045696 (Two 19 Tooth Gears and One 23 Tooth Gear)	1
13	44198	Lockwasher, M10	6
14	70796	Bearing	4

NOTE: BEFORE ORDERING PARTS FOR THIS GEARBOX FIRST DETERMINE IF THE GEARBOX IS A COMER OR A BONDIOLI & PAVESI MANUFACTURED GEARBOX ASSEMBLY. DETERMINE THIS FROM THE ID TAG ON TOP OF THE GEARBOX HOUSING.

50071276 TRANSFER GEARBOX ASSEMBLY - 1000 RPM

MFG. BY BONDIOLI & PAVESI

MODEL 12815R2 & 12810R2 (1000 RPM)



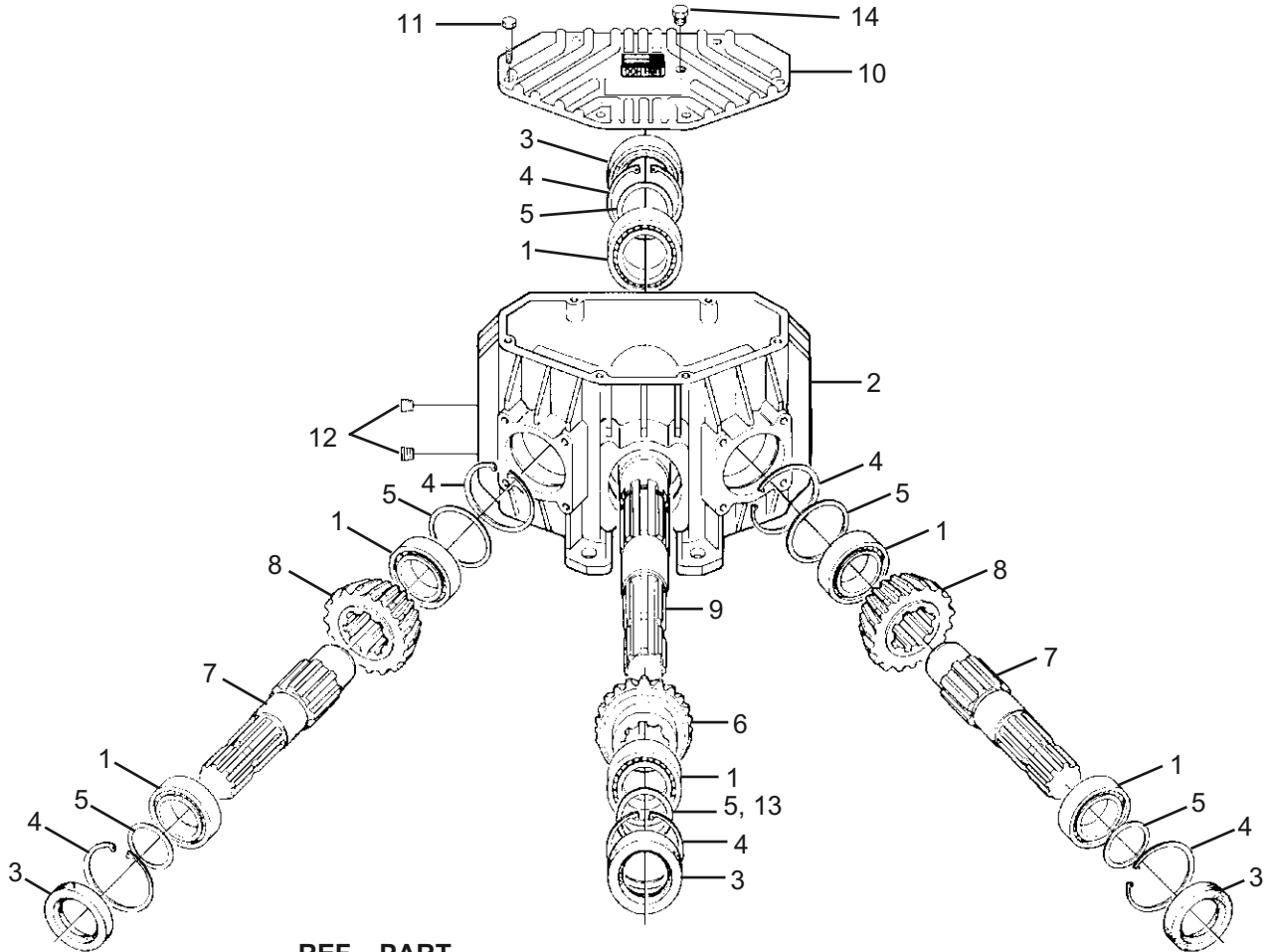
REF. NO.	PART NO.	DESCRIPTION	QTY.
1	50066914	Top Cover	1
2	50066915	Drain Plug (Magnetic)	1
3	50066917	Output Shafts 1-3/4" 20 Spline	2
4	50068116	Oil Seal	4
5	50066919	Snap Ring 85 x 4mm	4
6	50066920	Shim Kit	4
7	70797	Bearing 35 x 72 x 18.25mm	2
8	50066922	Housing	1
9	50066923	Input Shaft	1
10	50066924	Breather Plug (Gas) 3/8"	1
11	50066925	Capscrew M10 x 22 x 1.5 C8.8	6
12	50071875	Gear Set for 1000 RPM Gearbox 50071276 (Two 27 Tooth Gears and One 20 Tooth Gear)	1
13	50016135	Lockwasher, M10	6
14	70796	Bearing	4

NOTE: BEFORE ORDERING PARTS FOR THIS GEARBOX FIRST DETERMINE IF THE GEARBOX IS A COMER OR A BONDIOLI & PAVESI MANUFACTURED GEARBOX ASSEMBLY. DETERMINE THIS FROM THE ID TAG ON TOP OF THE GEARBOX HOUSING.

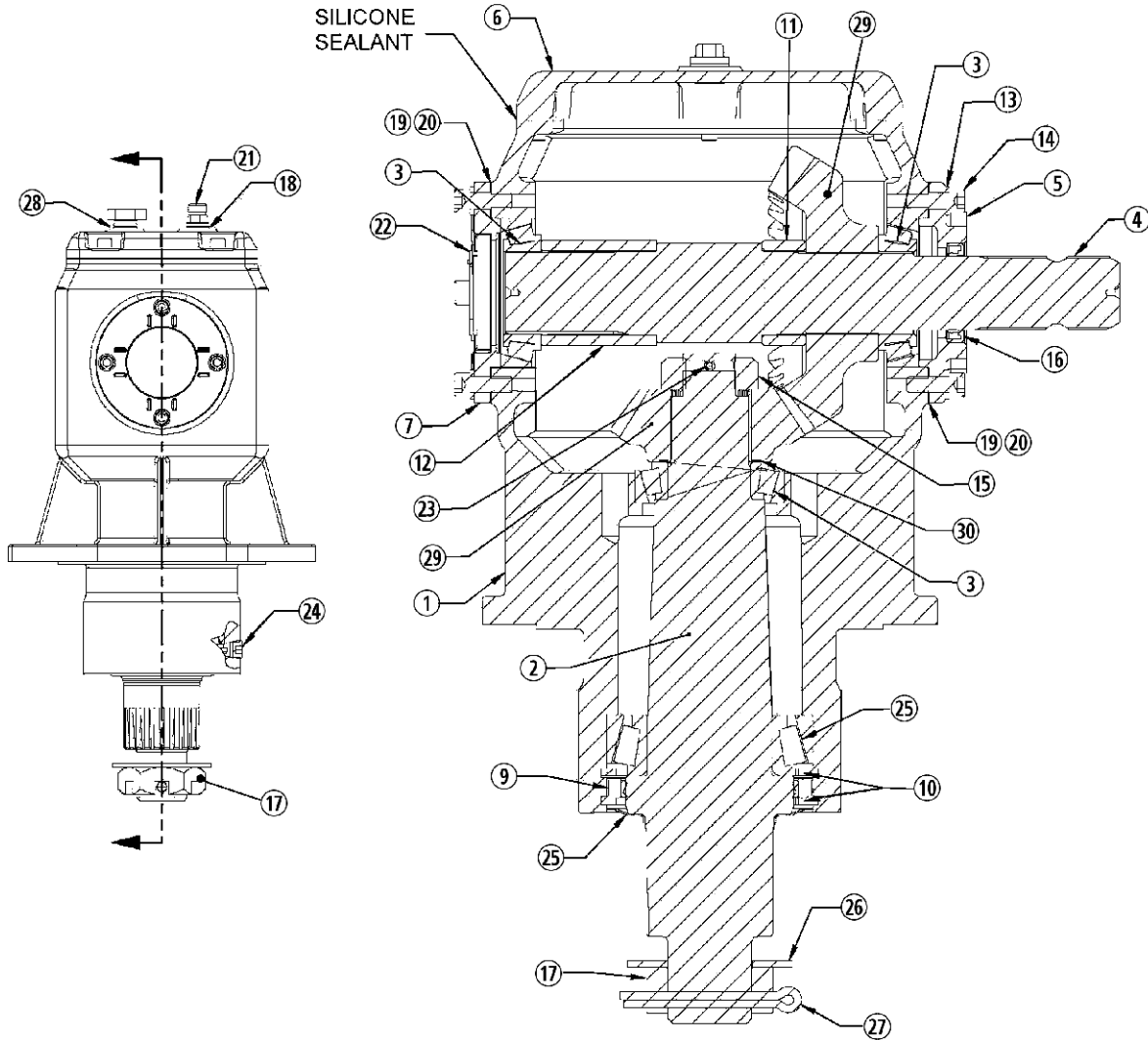
50072724 TRANSFER GEARBOX ASSEMBLY - 1000 RPM

MFG. BY COMER

MODEL 12715R2 & 12710R2 (1000 RPM)



REF. NO.	PART NO.	DESCRIPTION	QTY.
1	70796	Bearing	6
2	76671	Casing	1
3	50068116	Oil Seal	4
4	70881	Snap Ring	6
5	70752	Shim .3	6
6	50073003	Gear, 20 Teeth (1000 RPM)	1
7	76673	Shaft 1-3/4" Z20	2
8	50073001	Gear, 27 Teeth (1000 RPM)	2
9	76675	Shaft, 1-3/4" Z20	1
10	76676	Cover	1
11	44489	Capscrew M10 x 1.5 x 35 Gr.8.8	6
12	70181	Gas Plug 3/8"	2
13	70753	Shim .4	6
	70754	Shim .5	6
	70755	Shim .6	6
14	80538	Vent Plug	1

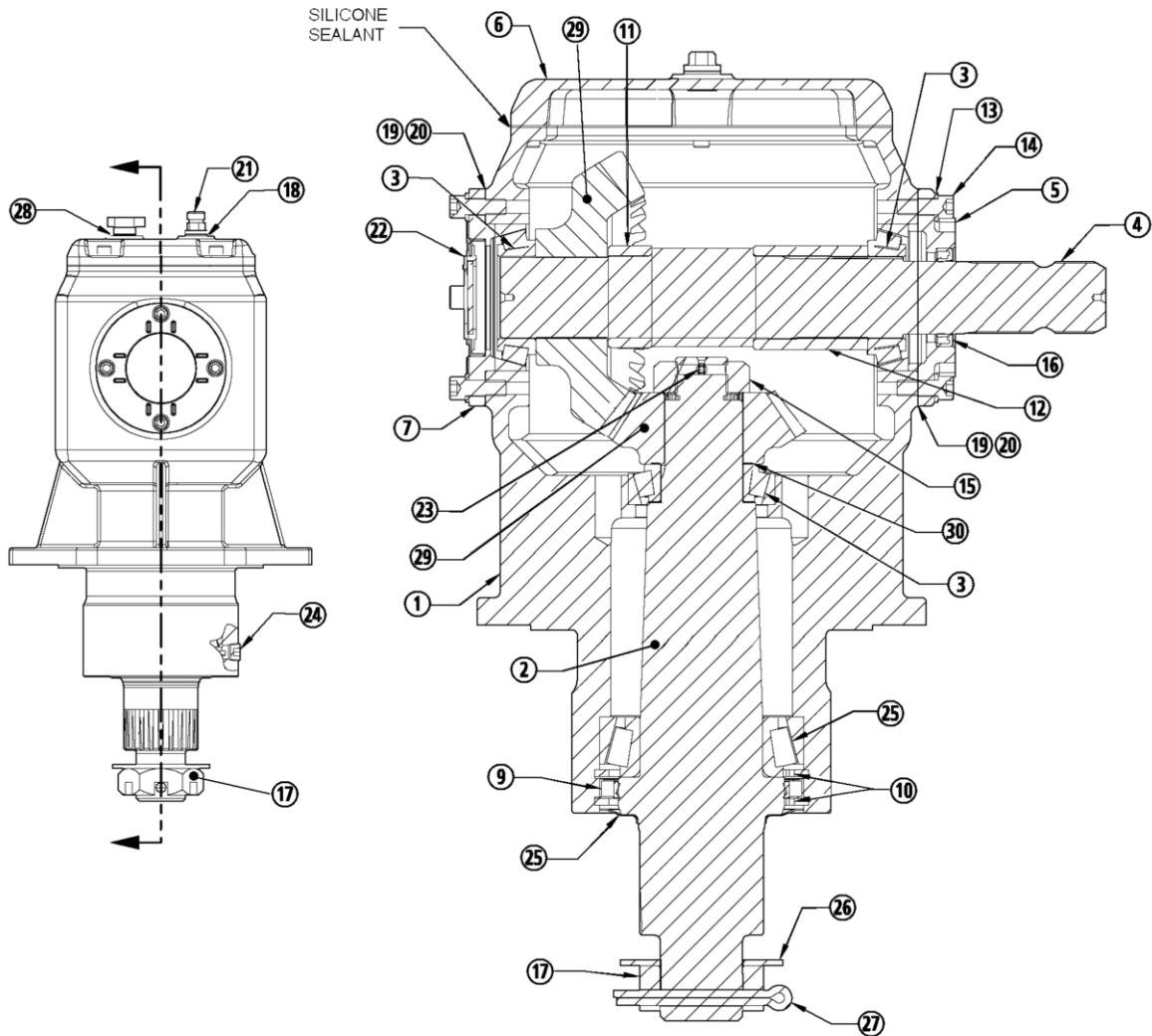


50069804 GEARBOX ASSEMBLY

540 RPM, Ratio 1:1.60
Center - 2815R2 & 2810R2
L.H. Wing - 2815R2

THIS GEARBOX ASSY. REPLACED BY 50071561 GEARBOX ASSY.

REF. NO.	PART NO.	DESCRIPTION	QTY.	REF. NO.	PART NO.	DESCRIPTION	QTY.
1	00790922	Housing, Gearbox - HD225	1	16	00790938	Seal, Dbl Lip Oil- 44.45x69x9.5	1
2	50069790	Shaft, Output HD225B	1	17	50071363	Nut, Slotted Hex Jam 2"-12	1
3	00779007	Bearing, Roller-90 X 50 X 24.75	3	18	00790983	Washer, Sealing - M16	1
4	00790924	Shaft, Input - HD225	1	19	00790941	Gasket, Input Cap - .10mm	2
5	00790925	Cap, Input Shaft - HD225	1	20	00790942	Gasket, Input Cap - .25mm	2
6	00790926	Cover, Top - HD225	1	21	00790985	Plug, Vent - M16 X 1.5	1
7	00790927	Cap, Solid End - HD225	1	22	50069904	Sight Glass Plug	1
8	00790928	Bearing, Roller - 125 X 75 X 37	1	23	00770421	Pin, Cotter 3.6mm X 65mm	1
9	00790930	Seal, Dbl Lip Oil- 101.6x125x12	1	24	50025464	Plug Pipe Socket Head 3/8-18	1
10	00790931	Ring, Internal Snap - 125 X 3	2	25	50069791	Protector, Seal	1
11	00790932	Spacer, Small - HD225	1	26	50071362	Washer, Spring 2.00"	1
12	00790933	Spacer, Large - HD225	1	27	50071364	Pin, Cotter 10mm X 100mm	1
13	15812	Lockwasher 3/8 Cp	14	28	4038612	Dipstick, Oil Level-M16 X 1.5	1
14	44379BH	Hex Soc Hd Cpsc 3/8 X 1 G5	14	29	00790934	Kit, Gear - 24T & 15T	1
15	00790937	Nut, Hex Flg. Slotted - M30-P2.0	1	30	00790939	Kit, Gear Shim - HD225	1

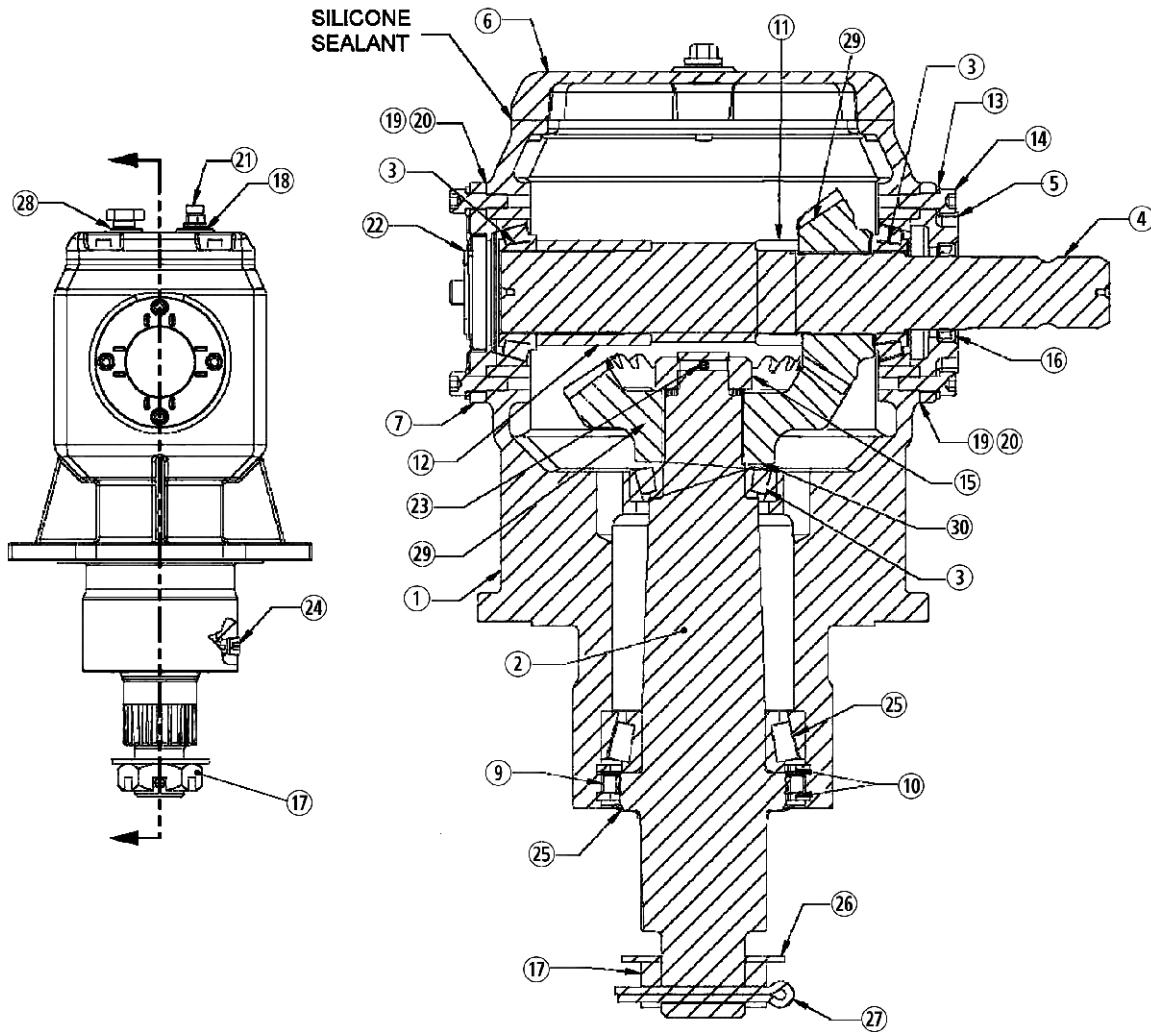


50069805 GEARBOX ASSEMBLY

540 RPM, Ratio 1:1.60
R.H. Wing - 2815R2 & 2810R2

THIS GEARBOX ASSY. REPLACED BY 50071562 GEARBOX ASSY.

REF. NO.	PART NO.	DESCRIPTION	QTY.	REF. NO.	PART NO.	DESCRIPTION	QTY.
1	00790922	Housing, Gearbox - HD225	1	16	00790938	Seal, Dbl Lip Oil- 44.45x69x9.5	1
2	50069790	Shaft, Output HD225B	1	17	50071363	Nut, Slotted Hex Jam 2"-12	1
3	00779007	Bearing, Roller-90 X 50 X 24.75	3	18	00790983	Washer, Sealing - M16	1
4	00790924	Shaft, Input - HD225	1	19	00790941	Gasket, Input Cap - .10mm	2
5	00790925	Cap, Input Shaft - HD225	1	20	00790942	Gasket, Input Cap - .25mm	2
6	00790926	Cover, Top - HD225	1	21	00790985	Plug, Vent - M16 X 1.5	1
7	00790927	Cap, Solid End - HD225	1	22	50069904	Sight Glass Plug	1
8	00790928	Bearing, Roller - 125 X 75 X 37	1	23	00770421	Pin, Cotter 3.6mm X 65mm	1
9	00790930	Seal, Dbl Lip Oil- 101.6x125x12	1	24	50025464	Plug Pipe Socket Head 3/8-18	1
10	00790931	Ring, Internal Snap - 125 X 3	2	25	50069791	Protector, Seal	1
11	00790932	Spacer, Small - HD225	1	26	50071362	Washer, Spring 2.00"	1
12	00790933	Spacer, Large - HD225	1	27	50071364	Pin, Cotter 10mm X 100mm	1
13	15812	Lockwasher 3/8 Cp	14	28	4038612	Dipstick, Oil Level-M16 X 1.5	1
14	44379BH	Hex Soc Hd Cpsc 3/8 X 1 G5	14	29	00790934	Kit, Gear - 24T & 15T	1
15	00790937	Nut, Hex Flg. Slotted - M30-P2.0	1	30	00790939	Kit, Gear Shim - HD225	1

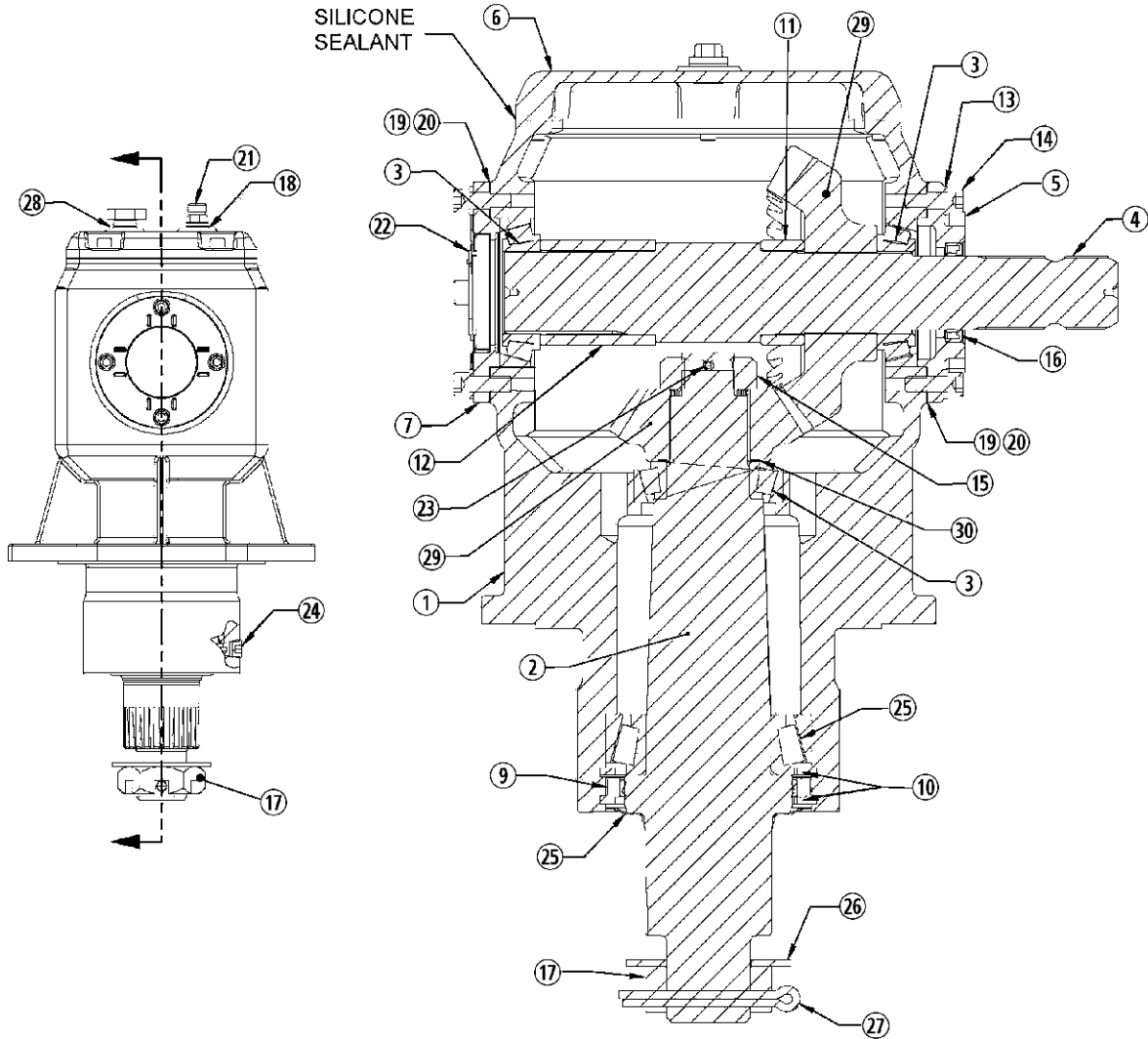


50069806 GEARBOX ASSEMBLY

1000 RPM, Ratio 1.15:1
CENTER - 12815R2 & 12810R2

THIS GEARBOX ASSY. REPLACED BY 50071563 GEARBOX ASSY.

REF. NO.	PART NO.	DESCRIPTION	QTY.	REF. NO.	PART NO.	DESCRIPTION	QTY.
1	00790922	Housing, Gearbox - HD225	1	16	00790938	Seal, Dbl Lip Oil- 44.45x69x9.5	1
2	50069790	Shaft, Output HD225B	1	17	50071363	Nut, Slotted Hex Jam 2"-12	1
3	00779007	Bearing, Roller-90 X 50 X 24.75	3	18	00790983	Washer, Sealing - M16	1
4	00790924	Shaft, Input - HD225	1	19	00790941	Gasket, Input Cap - .10mm	2
5	00790925	Cap, Input Shaft - HD225	1	20	00790942	Gasket, Input Cap - .25mm	2
6	00790926	Cover, Top - HD225	1	21	00790985	Plug, Vent - M16 X 1.5	1
7	00790927	Cap, Solid End - HD225	1	22	50069904	Sight Glass Plug	1
8	00790928	Bearing, Roller - 125 X 75 X 37	1	23	00770421	Pin, Cotter 3.6mm X 65mm	1
9	00790930	Seal, Dbl Lip Oil- 101.6x125x12	1	24	50025464	Plug Pipe Socket Head 3/8-18	1
10	00790931	Ring, Internal Snap - 125 X 3	2	25	50069791	Protector, Seal	1
11	00790932	Spacer, Small - HD225	1	26	50071362	Washer, Spring 2.00"	1
12	00790933	Spacer, Large - HD225	1	27	50071364	Pin, Cotter 10mm X 100mm	1
13	15812	Lockwasher 3/8 Cp	14	28	4038612	Dipstick, Oil Level-M16 X 1.5	1
14	44379BH	Hex Soc Hd Cpsc 3/8 X 1 G5	14	29	00790947	Kit, Gear - 20T & 23T	1
15	00790937	Nut, Hex Flg. Slotted - M30-P2.0	1	30	00790939	Kit, Gear Shim - HD225	1

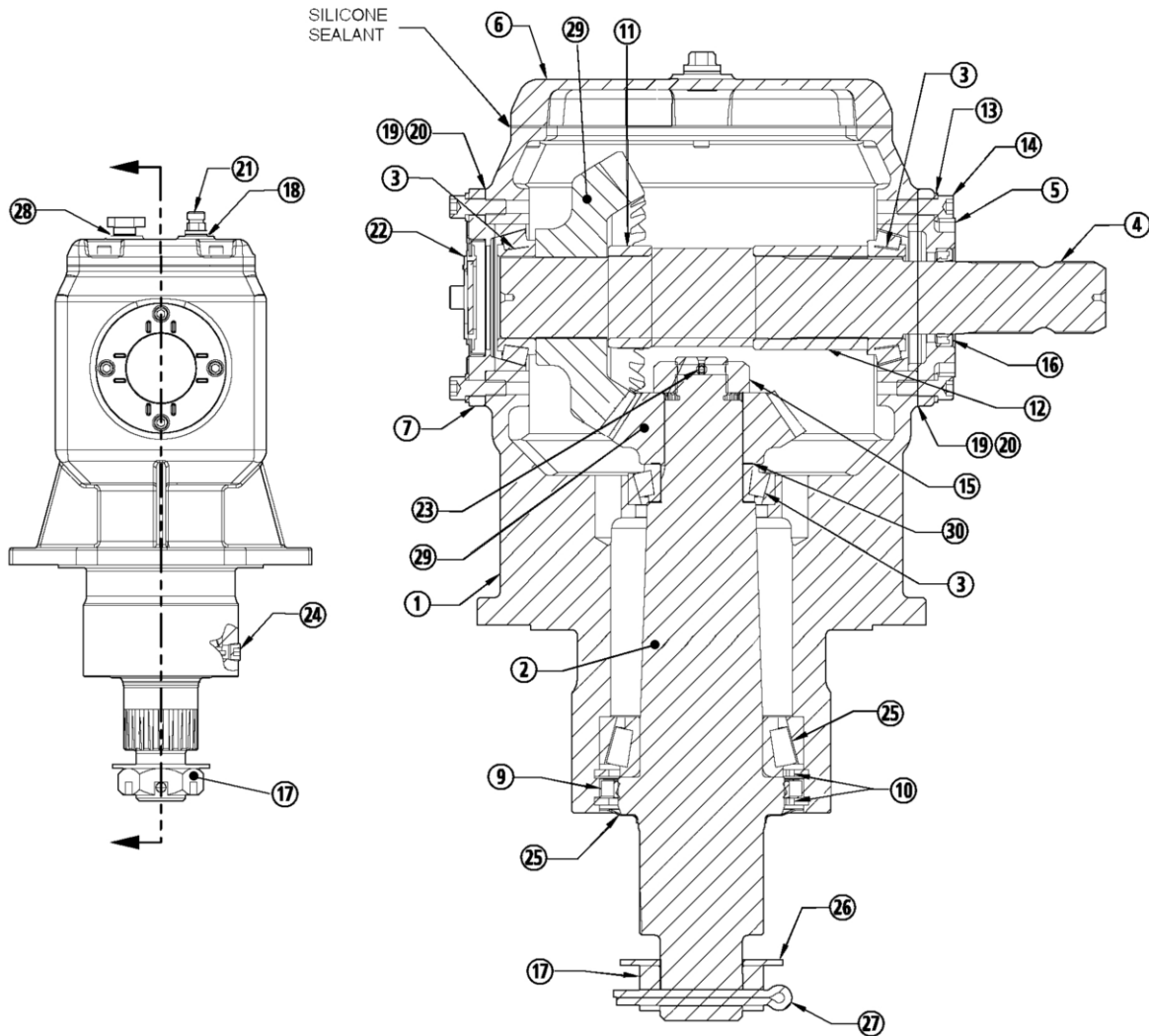


50069807 GEARBOX ASSEMBLY

1000 RPM, Ratio 1:1.375
L.H. Wing - 12815R2

THIS GEARBOX ASSY. REPLACED BY 50071564 GEARBOX ASSY.

REF. NO.	PART NO.	DESCRIPTION	QTY.	REF. NO.	PART NO.	DESCRIPTION	QTY.
1	00790922	Housing, Gearbox - HD225	1	16	00790938	Seal, Dbl Lip Oil- 44.45x69x9.5	1
2	50069790	Shaft, Output HD225B	1	17	50071363	Nut, Slotted Hex Jam 2"-12	1
3	00779007	Bearing, Roller-90 X 50 X 24.75	3	18	00790983	Washer, Sealing - M16	1
4	00790924	Shaft, Input - HD225	1	19	00790941	Gasket, Input Cap - .10mm	2
5	00790925	Cap, Input Shaft - HD225	1	20	00790942	Gasket, Input Cap - .25mm	2
6	00790926	Cover, Top - HD225	1	21	00790985	Plug, Vent - M16 X 1.5	1
7	00790927	Cap, Solid End - HD225	1	22	50069904	Sight Glass Plug	1
8	00790928	Bearing, Roller - 125 X 75 X 37	1	23	00770421	Pin, Cotter 3.6mm X 65mm	1
9	00790930	Seal, Dbl Lip Oil- 101.6x125x12	1	24	50025464	Plug Pipe Socket Head 3/8-18	1
10	00790931	Ring, Internal Snap - 125 X 3	2	25	50069791	Protector, Seal	1
11	00790932	Spacer, Small - HD225	1	26	50071362	Washer, Spring 2.00"	1
12	00790933	Spacer, Large - HD225	1	27	50071364	Pin, Cotter 10mm X 100mm	1
13	15812	Lockwasher 3/8 Cp	14	28	4038612	Dipstick, Oil Level-M16 X 1.5	1
14	44379BH	Hex Soc Hd Cpsc 3/8 X 1 G5	14	29	00790950	Kit, Gear - 22T & 16T	1
15	00790937	Nut, Hex Flg. Slotted - M30-P2.0	1	30	00790939	Kit, Gear Shim - HD225	1



50069808 GEARBOX ASSEMBLY

1000 RPM, Ratio 1:1.375
R.H. Wing - 12815R2 & 12810R2

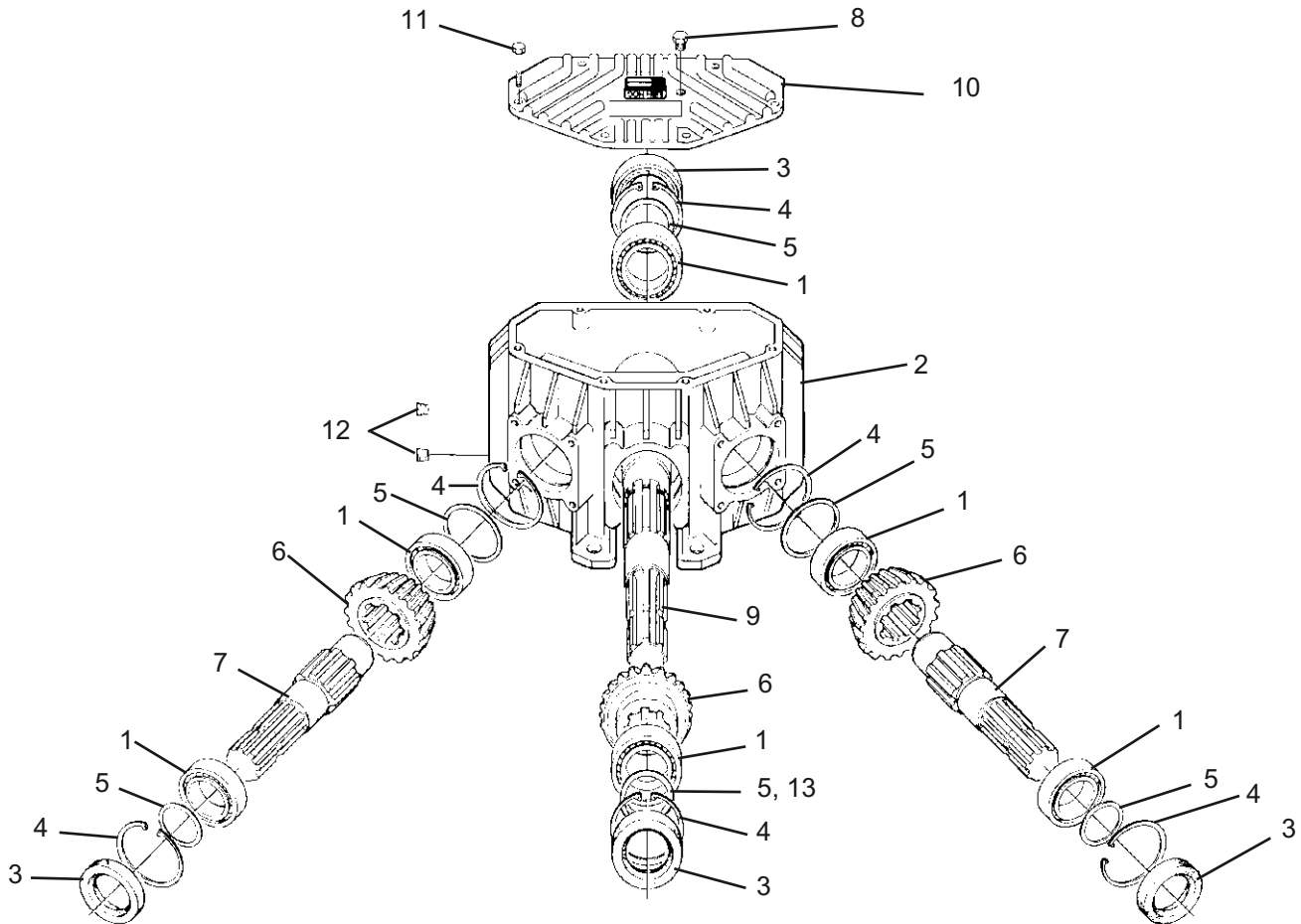
THIS GEARBOX ASSY. REPLACED BY 50071565 GEARBOX ASSY.

REF. NO.	PART NO.	DESCRIPTION	QTY.	REF. NO.	PART NO.	DESCRIPTION	QTY.
1	00790922	Housing, Gearbox - HD225	1	16	00790938	Seal, Dbl Lip Oil- 44.45x69x9.5	1
2	50069790	Shaft, Output HD225B	1	17	50071363	Nut, Slotted Hex Jam 2"-12	1
3	00779007	Bearing, Roller-90 X 50 X 24.75	3	18	00790983	Washer, Sealing - M16	1
4	00790924	Shaft, Input - HD225	1	19	00790941	Gasket, Input Cap - .10mm	2
5	00790925	Cap, Input Shaft - HD225	1	20	00790942	Gasket, Input Cap - .25mm	2
6	00790926	Cover, Top - HD225	1	21	00790985	Plug, Vent - M16 X 1.5	1
7	00790927	Cap, Solid End - HD225	1	22	50069904	Sight Glass Plug	1
8	00790928	Bearing, Roller - 125 X 75 X 37	1	23	00770421	Pin, Cotter 3.6mm X 65mm	1
9	00790930	Seal, Dbl Lip Oil- 101.6x125x12	1	24	50025464	Plug Pipe Socket Head 3/8-18	1
10	00790931	Ring, Internal Snap - 125 X 3	2	25	50069791	Protector, Seal	1
11	00790932	Spacer, Small - HD225	1	26	50071362	Washer, Spring 2.00"	1
12	00790933	Spacer, Large - HD225	1	27	50071364	Pin, Cotter 10mm X 100mm	1
13	15812	Lockwasher 3/8 Cp	14	28	4038612	Dipstick, Oil Level-M16 X 1.5	1
14	44379BH	Hex Soc Hd Cpsc 3/8 X 1 G5	14	29	00790950	Kit, Gear - 22T & 16T	1
15	00790937	Nut, Hex Flg. Slotted - M30-P2.0	1	30	00790939	Kit, Gear Shim - HD225	1

**71202 TRANSFER GEARBOX ASSEMBLY. - 540 RPM
MFG. BY COMER**

MODEL 2815R2 & 2810R2 (540 RPM)

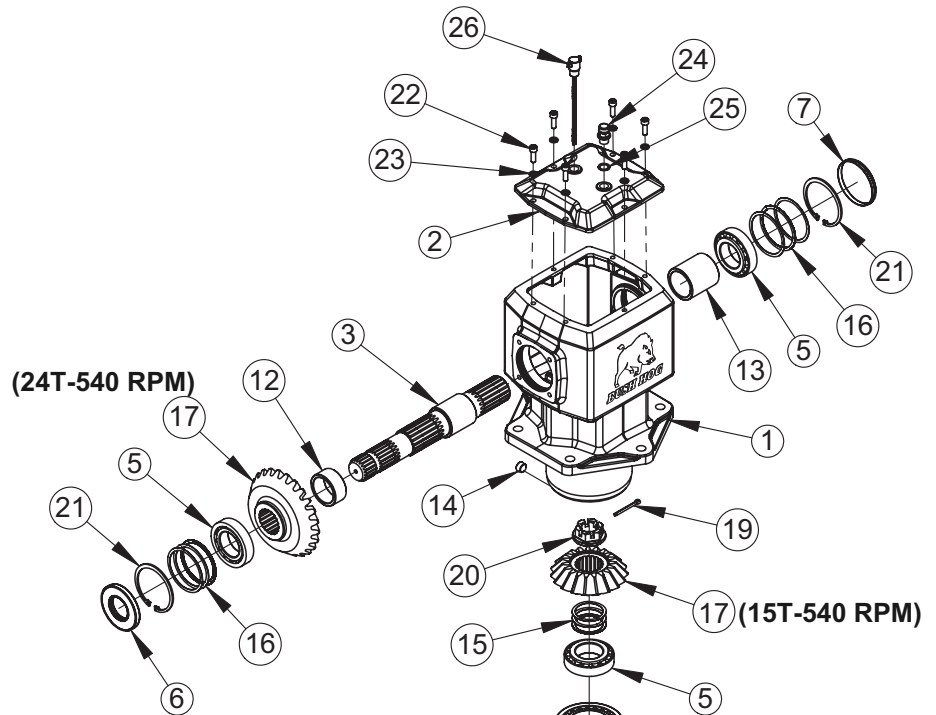
THIS GEARBOX REPLACES 50045696 GEARBOX ASSY.



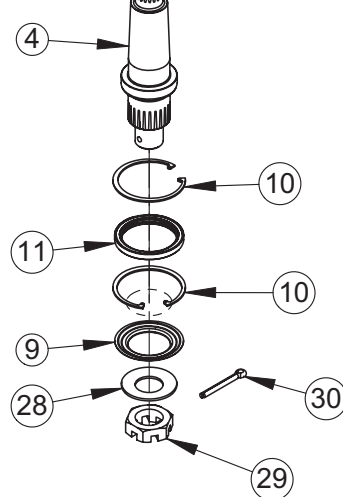
REF. NO.	PART NO.	DESCRIPTION	QTY.
	71202	Assembly, Transfer Gearbox	1
1	70796	Bearing	6
2	76671	Casing	1
3	50068116	Oil Seal	4
4	70881	Snap Ring	6
5	70752	Shim .3	6
6	50076037	Gear, Kit (1-24T & 2 - 20T Gears)	1
7	76673	Shaft, 1-3/4" Z20	2
8	80538	Vent Plug	1
9	76675	Shaft, 1-3/4" Z20	1
10	76676	Cover	1
11	44489BH	Capscrew M10 x 1.5 x 35 Gr. 8.8	6
12	70181	Gas Plug, 3/8"	2
13	70753	Shim .4	6
	70754	Shim .5	6
	70755	Shim .6	6

**50071561BH - GEARBOX ASSY, EZ225B, RATIO 1:1.6, (540 RPM)
CENTER - 2815R2 & 2810R2/LH WING - 2815R2**

THIS GEARBOX REPLACES 50069804 GEARBOX ASSY.

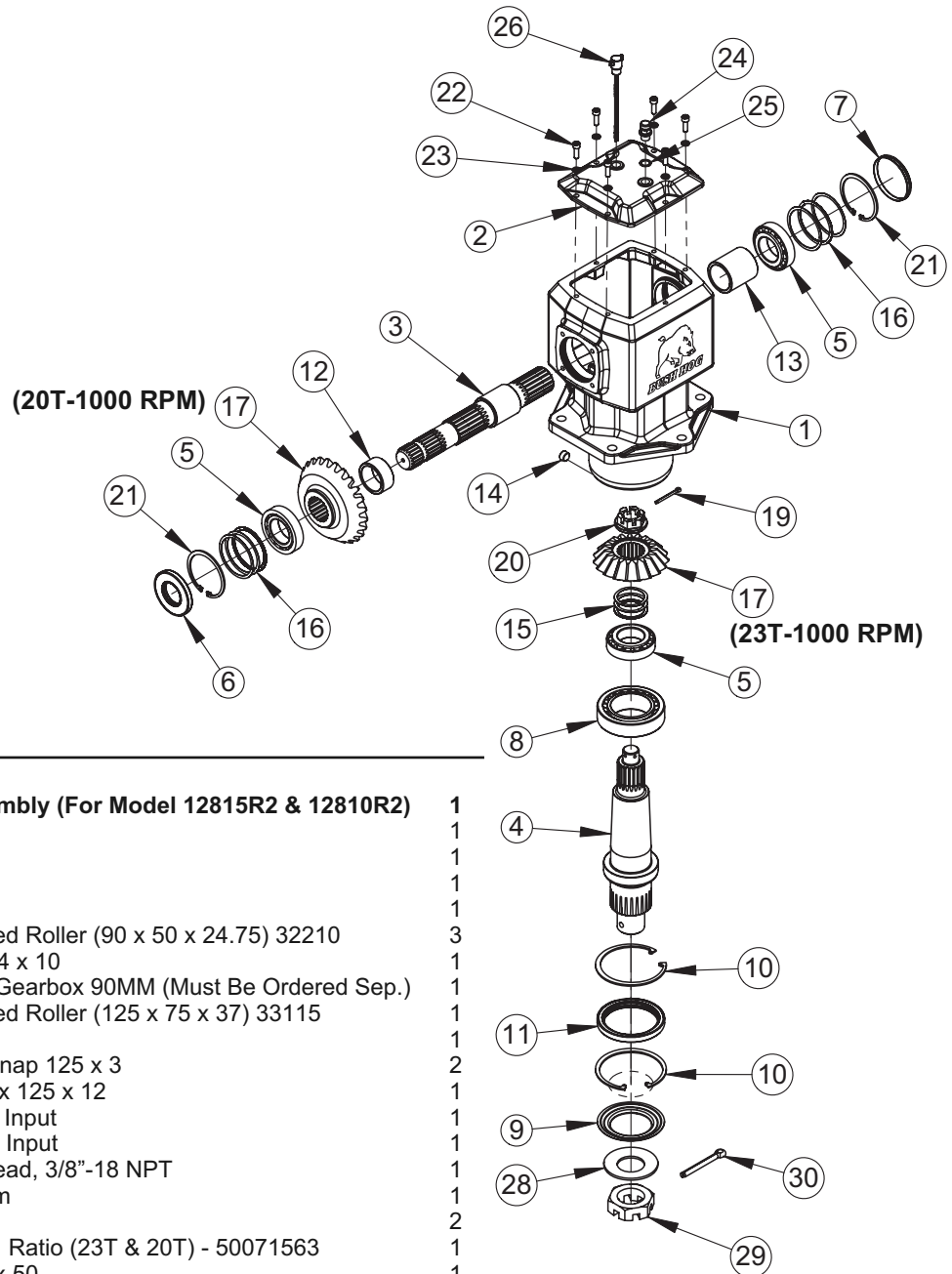


REF. NO. QTY.	PART NO.	DESCRIPTION
	50071561BH	Gearbox Assembly (For Mod. 2815R2 & 2810R2)
1	-----	Housing
2	00790887	Cap, Top
3	00790924	Shaft, Input
4	50069790	Shaft, Output
5	00779007	Bearing, Tapered Roller (90 x 50 x 24.75) 32210
6	00790889	Seal, Oil 90 x 44 x 10
7	50074090	Sight Window, Gearbox 90MM (Must Be Ordered Sep.)
8	00790928	Bearing, Tapered Roller (125 x 75 x 37) 33115
9	50069791	Protector, Seal
10	00790931	Ring, Internal Snap 125 x 3
11	00790930	Seal, Oil 101.6 x 125 x 12
12	00790932	Spacer, Small - Input
13	00790933	Spacer, Large - Input
14	13033	Plug, Socket Head, 3/8"-18 NPT
15	00790939	Kit, HD225 Shim
16	00790892	Kit, Input Shim
17	00790934	Kit, Gear 1:1.6 Ratio (24T & 15T) - 50071561
19	70497	Cotter Pin, M5 x 50
20	00790937	Hex Nut, Slotted Flg, M30-2.0
21	00790891	Ring, Internal Snap, 90 x 3
22	00790896	Bolt, Socket Hd, M8 x 1.25 x 20
23	701611C	Lockwasher, M8
24	00790985	Plug, Vent, M16-1.5
25	00790983	Washer, Sealing, M16
26	4038612	Dipstick, Oil
28	50071362	Washer, Spring 2"
29	50071363	Hex Nut, Slotted Jam, 2"-12
30	50071364	Cotter Pin, 10MM x 100MM



**50071563BH - GEARBOX ASSY, EZ225B, RATIO 1.15:1, (1000 RPM)
CENTER - 12815R2 & 12810R2**

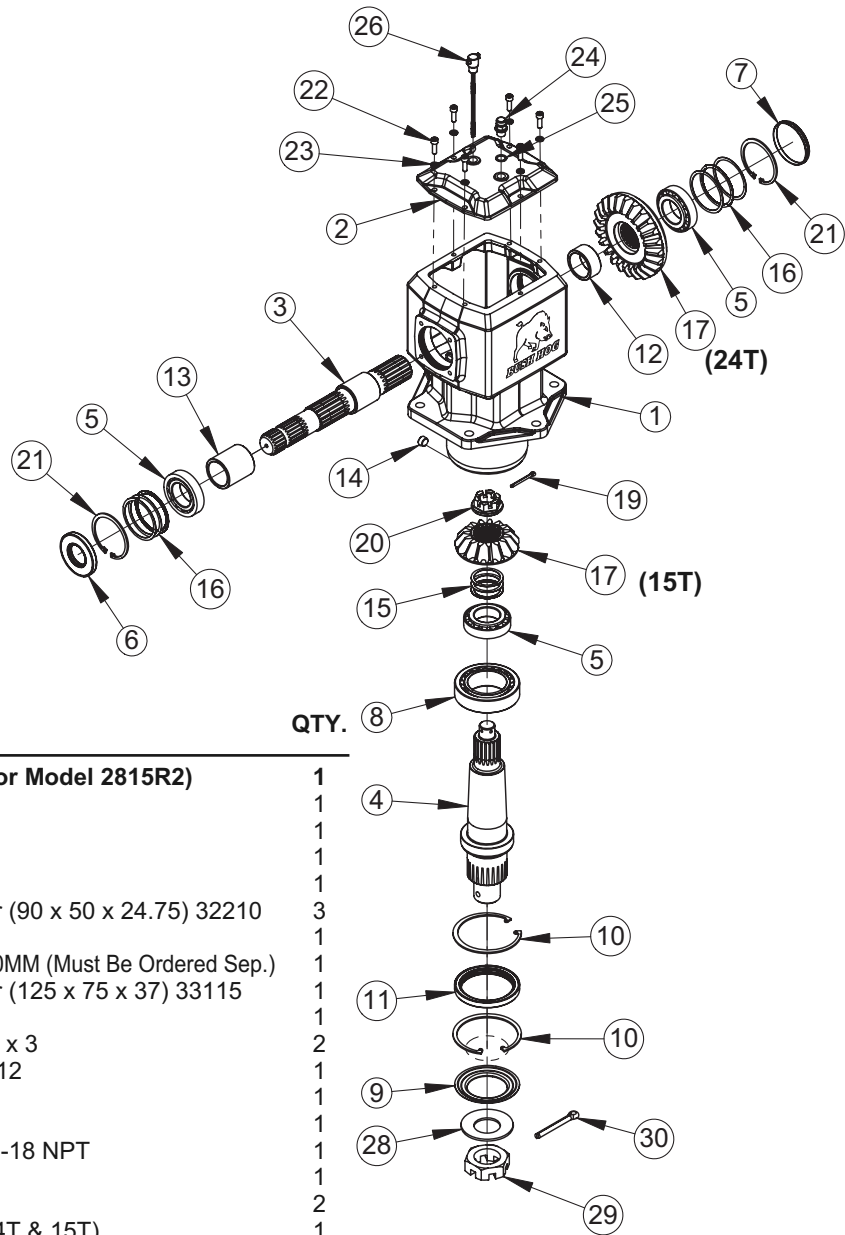
THIS GEARBOX REPLACES 50069806 GEARBOX ASSY.



REF. NO. QTY.	PART NO.	DESCRIPTION	
	50071563BH	Gearbox Assembly (For Model 12815R2 & 12810R2)	1
1	-----	Housing	1
2	00790887	Cap, Top	1
3	00790924	Shaft, Input	1
4	50069790	Shaft, Output	1
5	00779007	Bearing, Tapered Roller (90 x 50 x 24.75) 32210	3
6	00790889	Seal, Oil 90 x 44 x 10	1
7	50074090	Sight Window, Gearbox 90MM (Must Be Ordered Sep.)	1
8	00790928	Bearing, Tapered Roller (125 x 75 x 37) 33115	1
9	50069791	Protector, Seal	1
10	00790931	Ring, Internal Snap 125 x 3	2
11	00790930	Seal, Oil 101.6 x 125 x 12	1
12	00790932	Spacer, Small - Input	1
13	00790933	Spacer, Large - Input	1
14	13033	Plug, Socket Head, 3/8"-18 NPT	1
15	00790939	Kit, HD225 Shim	1
16	00790892	Kit, Input Shim	2
17	00790947	Kit, Gear 1.15:1 Ratio (23T & 20T) - 50071563	1
19	70497	Cotter Pin, M5 x 50	1
20	00790937	Hex Nut, Slotted Flg, M30-2.0	1
21	00790891	Ring, Internal Snap, 90 x 3	2
22	00790896	Bolt, Socket Hd, M8 x 1.25 x 20	6
23	701611C	Lockwasher, M8	6
24	00790985	Plug, Vent, M16-1.5	1
25	00790983	Washer, Sealing, M16	1
26	4038612	Dipstick, Oil	1
28	50071362	Washer, Spring 2"	1
29	50071363	Hex Nut, Slotted Jam, 2"-12	1
30	50071364	Cotter Pin, 10MM x 100MM	1

**50071562BH - GEARBOX ASSY, EZ225B, RATIO 1:1.6, (540 RPM)
RH WING - 2815R2**

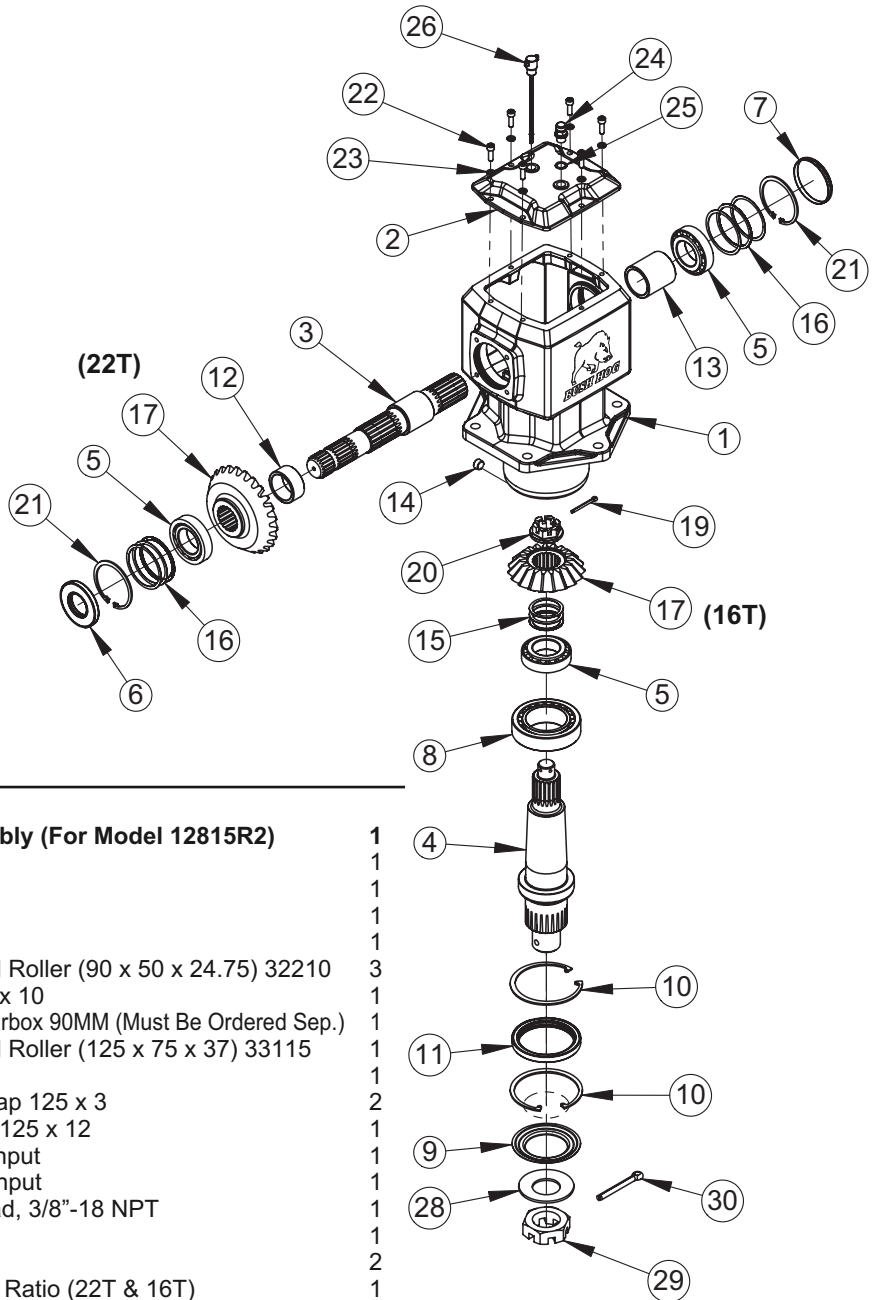
THIS GEARBOX REPLACES 50069805 GEARBOX ASSY.



REF. NO.	PART NO.	DESCRIPTION	QTY.
	50071562BH	Gearbox Assembly (For Model 2815R2)	1
1	-----	Housing	1
2	00790887	Cap, Top	1
3	00790924	Shaft, Input	1
4	50069790	Shaft, Output	1
5	00779007	Bearing, Tapered Roller (90 x 50 x 24.75) 32210	3
6	00790889	Seal, Oil 90 x 44 x 10	1
7	50074090	Sight Window, Gearbox 90MM (Must Be Ordered Sep.)	1
8	00790928	Bearing, Tapered Roller (125 x 75 x 37) 33115	1
9	50069791	Protector, Seal	1
10	00790931	Ring, Internal Snap 125 x 3	2
11	00790930	Seal, Oil 101.6 x 125 x 12	1
12	00790932	Spacer, Small - Input	1
13	00790933	Spacer, Large - Input	1
14	13033	Plug, Socket Head, 3/8"-18 NPT	1
15	00790939	Kit, HD225 Shim	1
16	00790892	Kit, Input Shim	2
17	00790934	Kit, Gear 1:1.6 Ratio (24T & 15T)	1
19	70497	Cotter Pin, M5 x 50	1
20	00790937	Hex Nut, Slotted Flg, M30-2.0	1
21	00790891	Ring, Internal Snap, 90 x 3	2
22	00790896	Bolt, Socket Hd, M8 x 1.25 x 20	6
23	701611C	Lockwasher, M8	6
24	00790985	Plug, Vent, M16-1.5	1
25	00790983	Washer, Sealing, M16	1
26	4038612	Dipstick, Oil	1
28	50071362	Washer, Spring 2"	1
29	50071363	Hex Nut, Slotted Jam, 2"-12	1
30	50071364	Cotter Pin, 10MM x 100MM	1

**50071564BH - GEARBOX ASSY, EZ225B, RATIO 1:1.375, (1000 RPM)
LH WING - 12815R2**

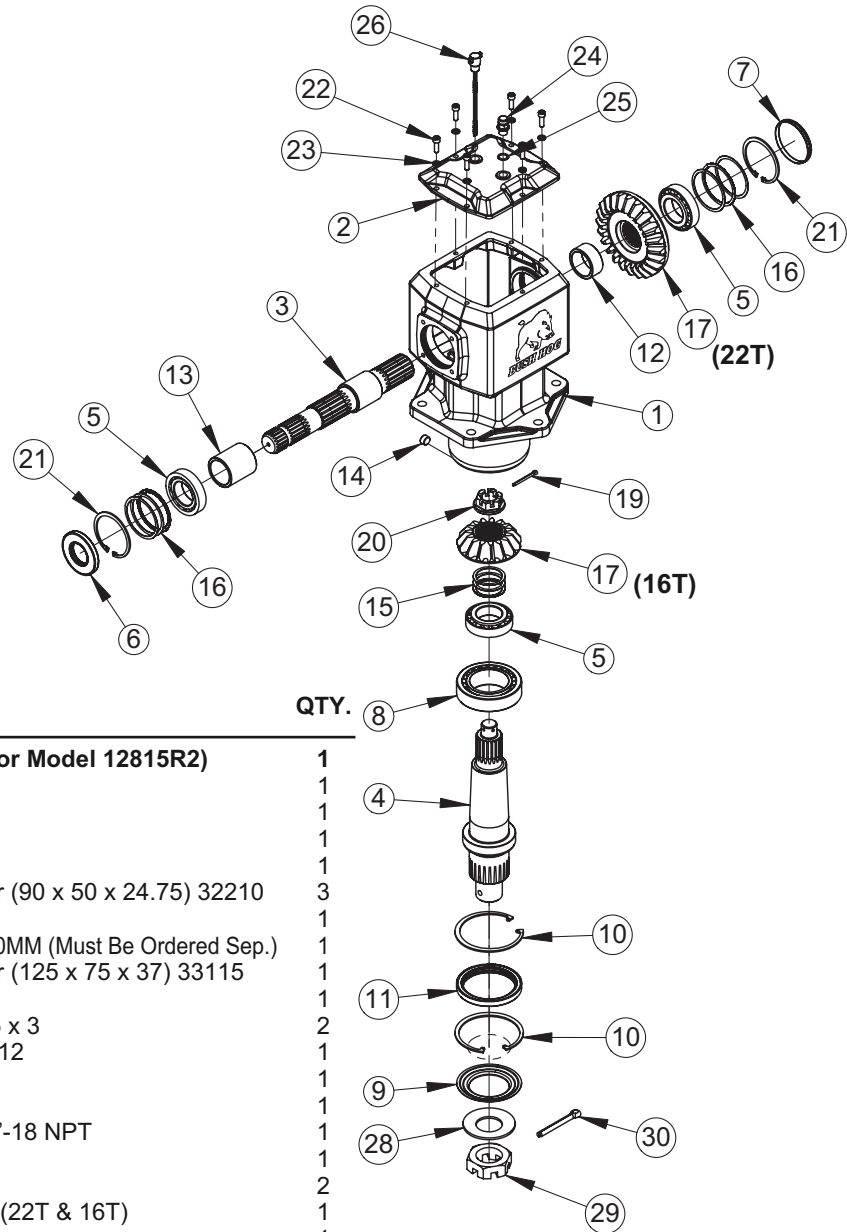
THIS GEARBOX REPLACES 50069807 GEARBOX ASSY.



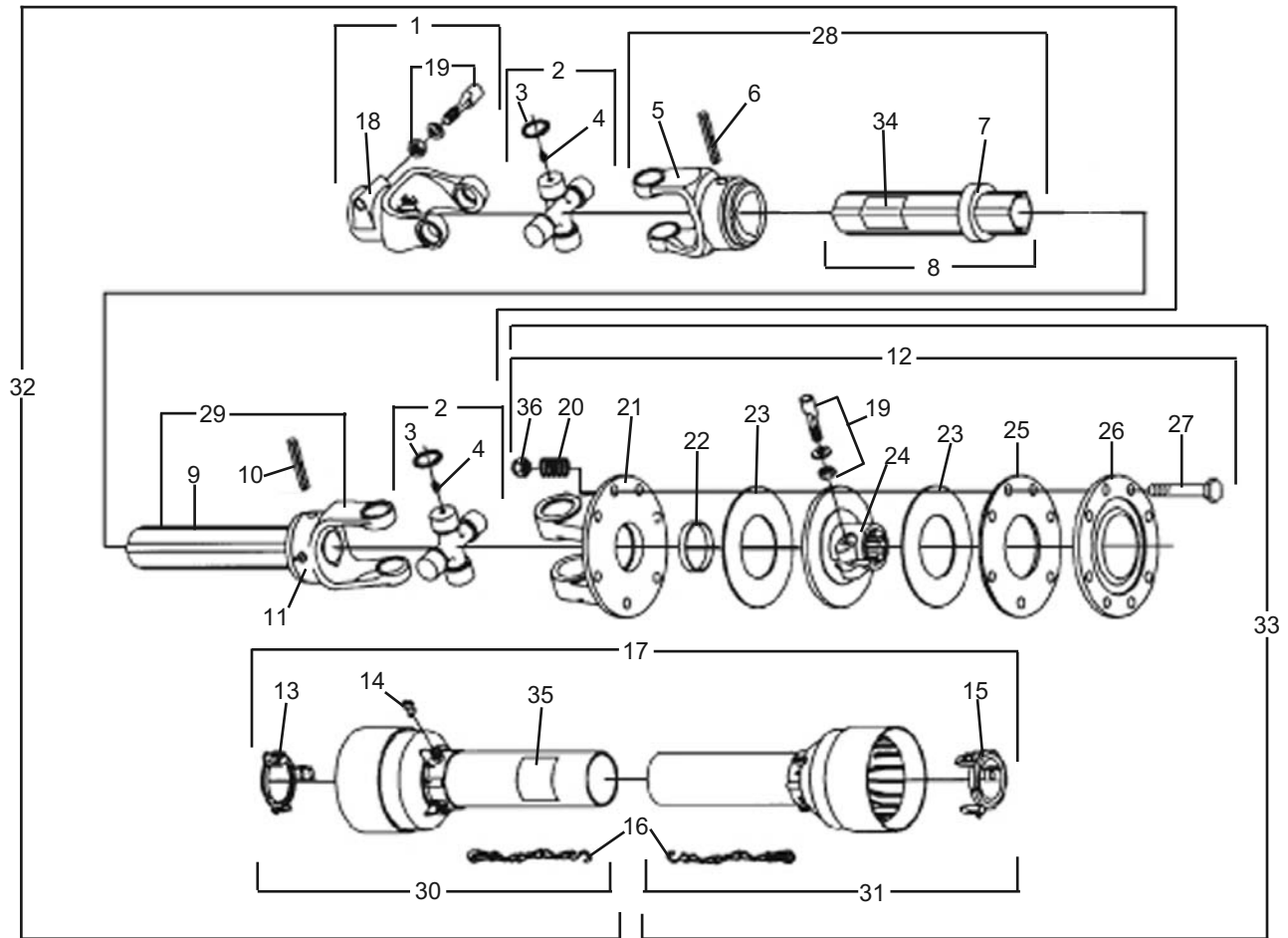
REF. NO. QTY.	PART NO.	DESCRIPTION	
	50071564BH	Gearbox Assembly (For Model 12815R2)	1
1	-----	Housing	1
2	00790887	Cap, Top	1
3	00790924	Shaft, Input	1
4	50069790	Shaft, Output	1
5	00779007	Bearing, Tapered Roller (90 x 50 x 24.75) 32210	3
6	00790889	Seal, Oil 90 x 44 x 10	1
7	50074090	Sight Window, Gearbox 90MM (Must Be Ordered Sep.)	1
8	00790928	Bearing, Tapered Roller (125 x 75 x 37) 33115	1
9	50069791	Protector, Seal	1
10	00790931	Ring, Internal Snap 125 x 3	2
11	00790930	Seal, Oil 101.6 x 125 x 12	1
12	00790932	Spacer, Small - Input	1
13	00790933	Spacer, Large - Input	1
14	13033	Plug, Socket Head, 3/8"-18 NPT	1
15	00790939	Kit, HD225 Shim	1
16	00790892	Kit, Input Shim	2
17	00790950	Kit, Gear 1:1.375 Ratio (22T & 16T)	1
19	70497	Cotter Pin, M5 x 50	1
20	00790937	Hex Nut, Slotted Flg, M30-2.0	1
21	00790891	Ring, Internal Snap, 90 x 3	2
22	00790896	Bolt, Socket Hd, M8 x 1.25 x 20	6
23	701611C	Lockwasher, M8	6
24	00790985	Plug, Vent, M16-1.5	1
25	00790983	Washer, Sealing, M16	1
26	4038612	Dipstick, Oil	1
28	50071362	Washer, Spring 2"	1
29	50071363	Hex Nut, Slotted Jam, 2"-12	1
30	50071364	Cotter Pin, 10MM x 100MM	1

**50071565BH - GEARBOX ASSY, EZ225B, RATIO 1:1.375 (1000 RPM)
RH WING - 12815R2**

THIS GEARBOX REPLACES 50069808 GEARBOX ASSY.

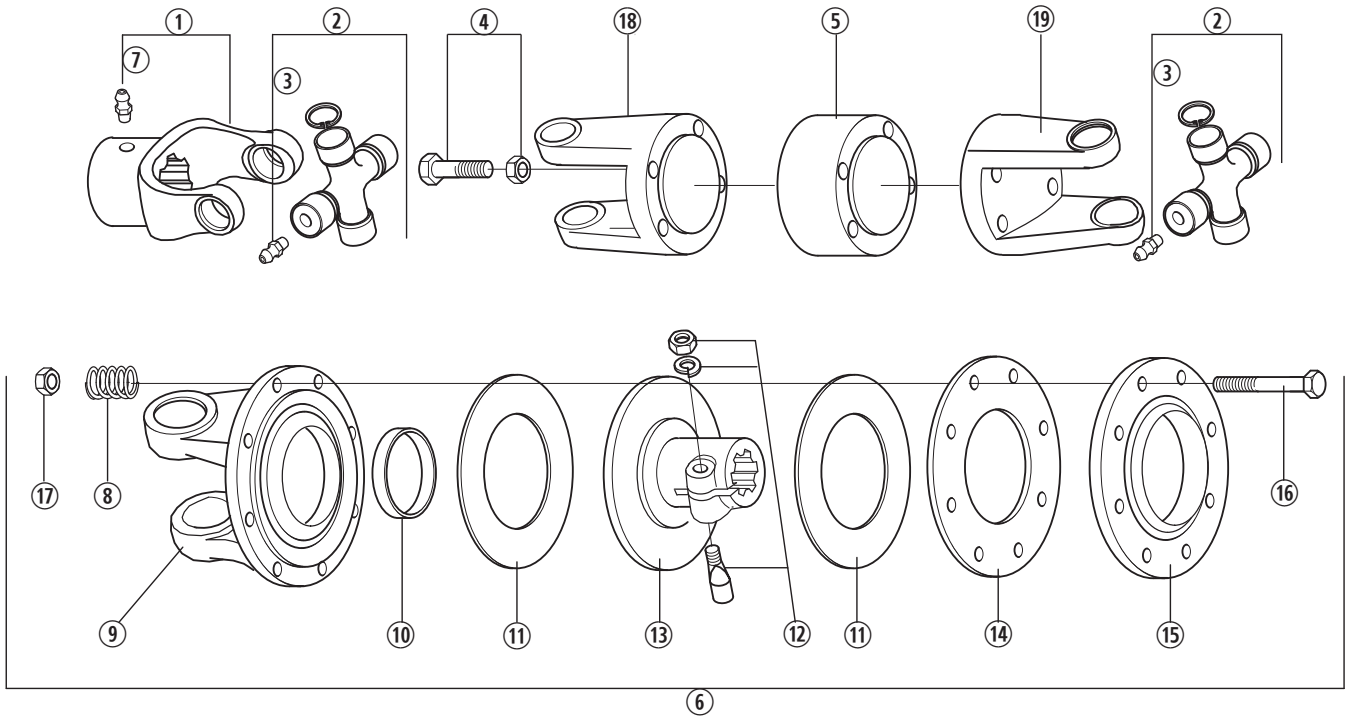


BH NO.	REF. NO.	PART DESCRIPTION	QTY.
	50071565BH	Gearbox Assembly (For Model 12815R2)	1
1	-----	Housing	1
2	00790887	Cap, Top	1
3	00790924	Shaft, Input	1
4	50069790	Shaft, Output	1
5	00779007	Bearing, Tapered Roller (90 x 50 x 24.75) 32210	3
6	00790889	Seal, Oil 90 x 44 x 10	1
7	50074090	Sight Window, Gearbox 90MM (Must Be Ordered Sep.)	1
8	00790928	Bearing, Tapered Roller (125 x 75 x 37) 33115	1
9	50069791	Protector, Seal	1
10	00790931	Ring, Internal Snap 125 x 3	2
11	00790930	Seal, Oil 101.6 x 125 x 12	1
12	00790932	Spacer, Small - Input	1
13	00790933	Spacer, Large - Input	1
14	13033	Plug, Socket Head, 3/8"-18 NPT	1
15	00790939	Kit, HD225 Shim	1
16	00790892	Kit, Input Shim	2
17	00790950	Kit, Gear 1:1.375 Ratio (22T & 16T)	1
19	70497	Cotter Pin, M5 x 50	1
20	00790937	Hex Nut, Slotted Flg, M30-2.0	1
21	00790891	Ring, Internal Snap, 90 x 3	2
22	00790896	Bolt, Socket Hd, M8 x 1.25 x 20	6
23	701611C	Lockwasher, M8	6
24	00790985	Plug, Vent, M16-1.5	1
25	00790983	Washer, Sealing, M16	1
26	4038612	Dipstick, Oil	1
28	50071362	Washer, Spring 2"	1
29	50071363	Hex Nut, Slotted Jam, 2"-12	1
30	50071364	Cotter Pin, 10MM x 100MM	1



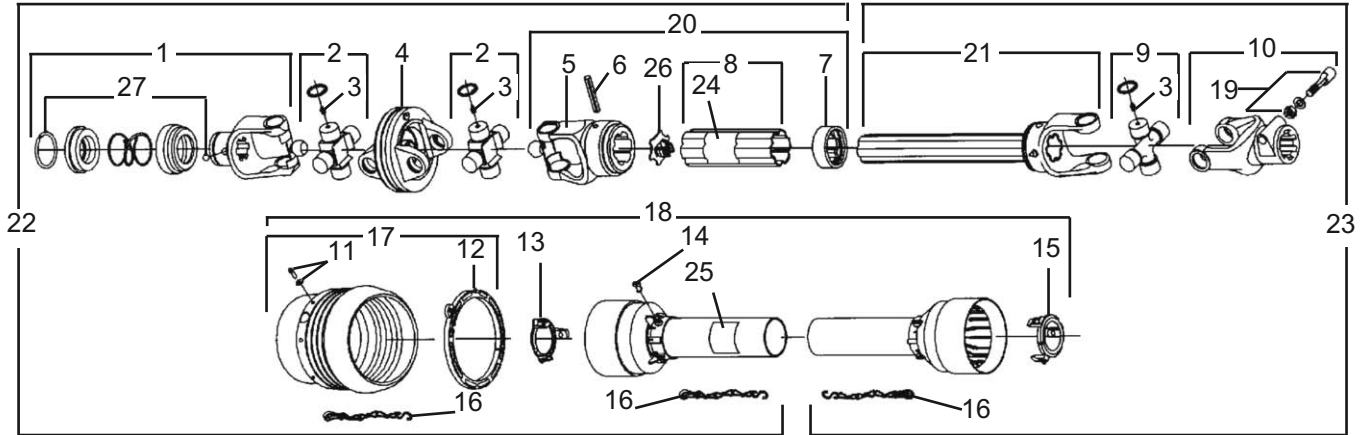
50069763 WING DRIVESHAFT
For 2815R2, 2810R2, 12815R2 & 12810R2 Models
1-3/4" - 20 Spline
Manufactured by Comer / EG
ASAE SIZE 4

REF. NO.	PART NO.	DESCRIPTION	QTY.	REF. NO.	PART NO.	DESCRIPTION	QTY.
1	76422	Complete Yoke	1	19	76247	Tapered Pin Set, 1-3/4"	2
2	50071237	Cross Journal Set	2	20	76080	Spring	8
3	-----	Circlip	8	21	76164	Flanged Yoke	1
4	76335	Grease Nipple	2	22	76082	Bushing	1
5	66865	Outer Yoke	1	23	76083	Lining Ring	2
6	66866	Roll Pin For Outer Tube	1	24	76309	Clutch Support	1
7	50064188	Bing	1	25	76085	Inner Plate	1
8	50071238	Complete Outer Tube	1	26	76086	Pressure Plate	1
9	50071239	Inner Tube	1	27	44155BH	Capscrew, M10 x 1.5 x 85	8
10	66869	Roll Pin For Inner Tube	1	28	-----	Female Tube w/Yoke & Lube System	1
11	66870	Inner Yoke	1	29	-----	Male Tube w/Yoke & Lube System	1
12	76308	Complete Disc Clutch	1	30	-----	Half Female Guarding w/Label	1
13	50056417	Guard Ret. Collar (Outer Tube)	1	31	-----	Half Male Guarding	1
14	50056404	Bolt	6	32	-----	Half Female Shaft w/Guarding	1
15	50056418	Guard Ret. Collar (Inner Tube)	1	33	-----	Half Male Shaft w/Guarding	1
16	64814	Safety Chains	2	34	78786	Decal, Danger - Outer Tube	1
17	50071240	Complete Guard w/Inst. Manual	1	35	78608	Decal, Danger - Outer Guard Tube	1
18	50061026	Yoke	1	36	44154BH	Locknut, M10 x 1.5	8



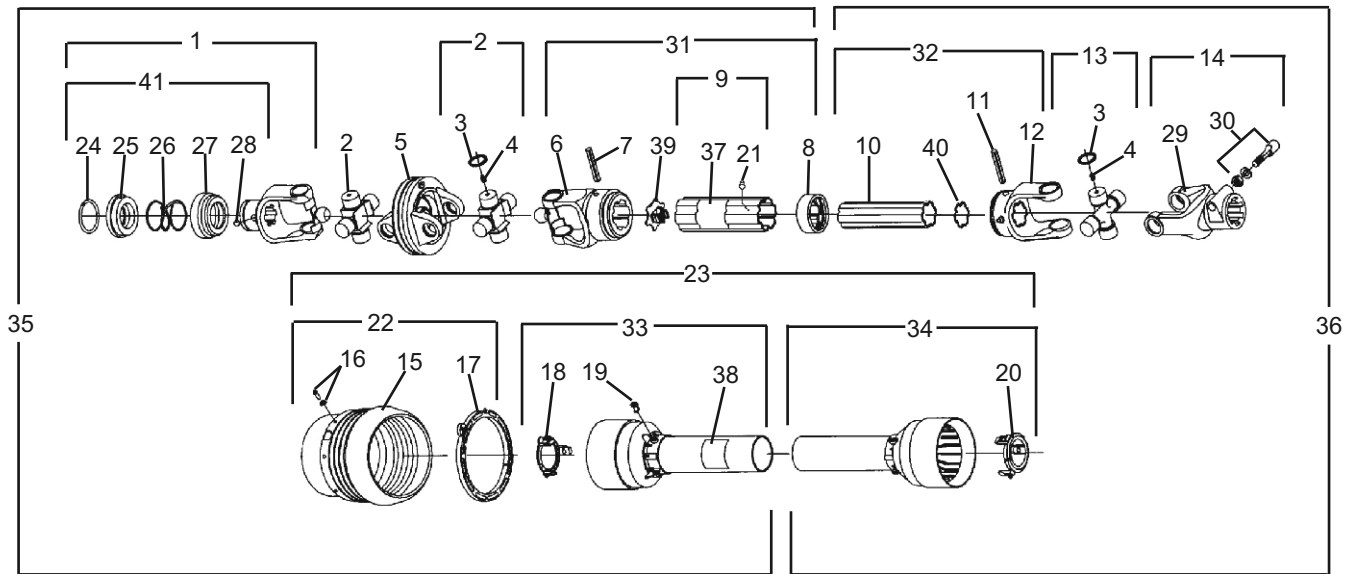
50071438 CENTER DRIVESHAFT
1-3/4" — 20 Spline
Manufactured by Comer / EG

REF. NO.	PART NO.	DESCRIPTION	QTY.
1	76782	Yoke w/Grease Nipple	1
2	50060543	Cross Journal Set	2
3	76335	Grease Nipple	2
4	50072442	Capscrew, M12 x 1.25 x 80 Gr. 12.9 w/Locknut M12	4
5	50072443	Retaining Washer	1
6	76308	Complete Disc Clutch	1
7	63946	Grease Nipple	1
8	76080	Spring	8
9	76164	Flanged Yoke	1
10	76082	Bushing	1
11	76083	Lining Ring	2
12	76247	Tapered Pin Set 1-3/4"	1
13	76309	Clutch Support	1
14	76085	Inner Plate	1
15	76086	Pressure Plate	1
16	44155BH	Capscrew, M10 x 1.5 x 85	8
17	44154BH	Locknut, M10 x 1.5	8
18	76914	Flanged Yoke, Male	1
19	76915	Flanged Yoke, Female	1



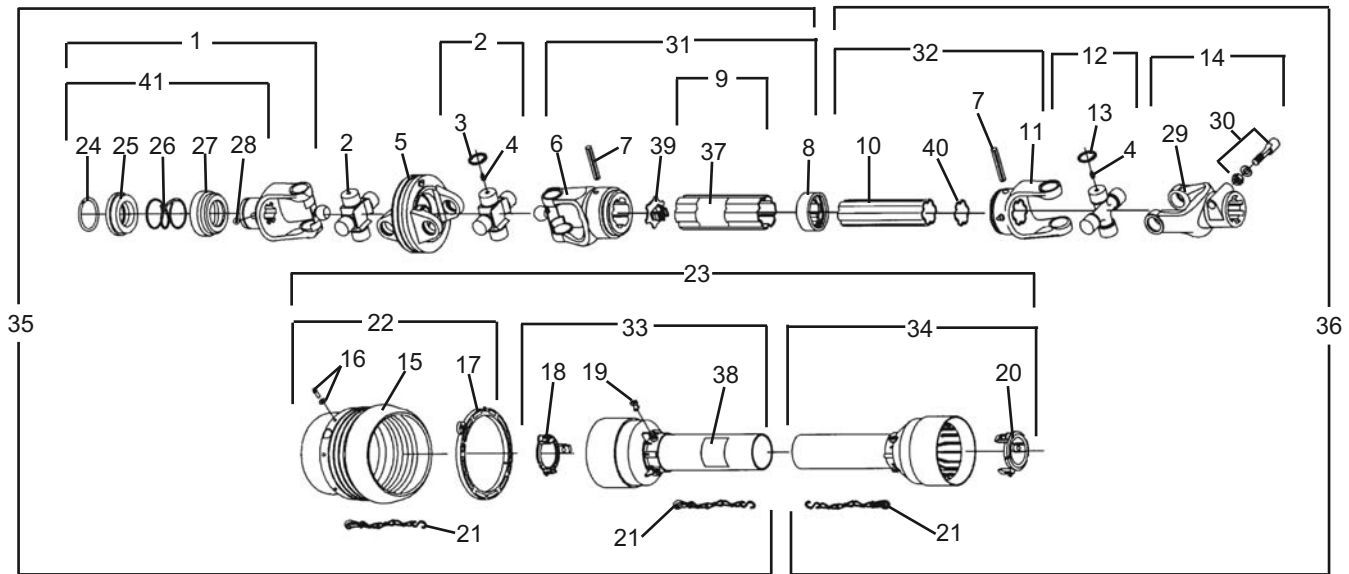
50054670SP C.V. Driveshaft
(Replaced by 50074699SP Driveline
Assembly)
Input : 1-3/4" – 20 Spline, ASAE Size 5
Manufactured by Comer / EG
12815R2 & 12810R2 (1000 RPM Models)

REF. NO.	PART NO.	DESCRIPTION	QTY.
1	50056927	Complete Collar Yoke (Tractor)	1
2	50056400	Cross Journal Set	2
3	76335	Grease Nipple	3
4	76357	Wide Angle Double Yoke	1
5	76896	Outer Yoke	1
6	67108	Roll Pin For Outer Tube	1
7	76897	Wiper	1
8	76903	Complete Outer Tube	1
9	50056401	Cross Journal Set	1
10	76239BH	Complete Yoke	1
11	76362	Screw Kit	6
12	50056402	Bearing Ring	1
13	50056403	Guard Retaining Collar For Outer Tube	1
14	50056404	Bolt	6
15	50056405	Guard Retaining Collar For Inner Tube	1
16	64814	Safety Chain	3
17	50056406	Guard Cone Set	1
18	50056407	Complete Guard w/Instruction Manual	1
19	76247	Tapered Pin Set 1-3/4"	1
20	50056408	Female Tube w/Yoke & Lube System	1
21	50056409	Male Tube w/Yoke & Lube System	1
22	-----	Half Female Shaft w/Guarding	1
23	50056413	Half Male Shaft w/Guarding	1
24	78786	Decal, Danger - Outer Tube	1
25	78608	Decal, Danger - Outer Guard Tube	1
26	76892	Plastic Cap	1
27	50017502	Kit Collar For Yoke 1-3/4"	1



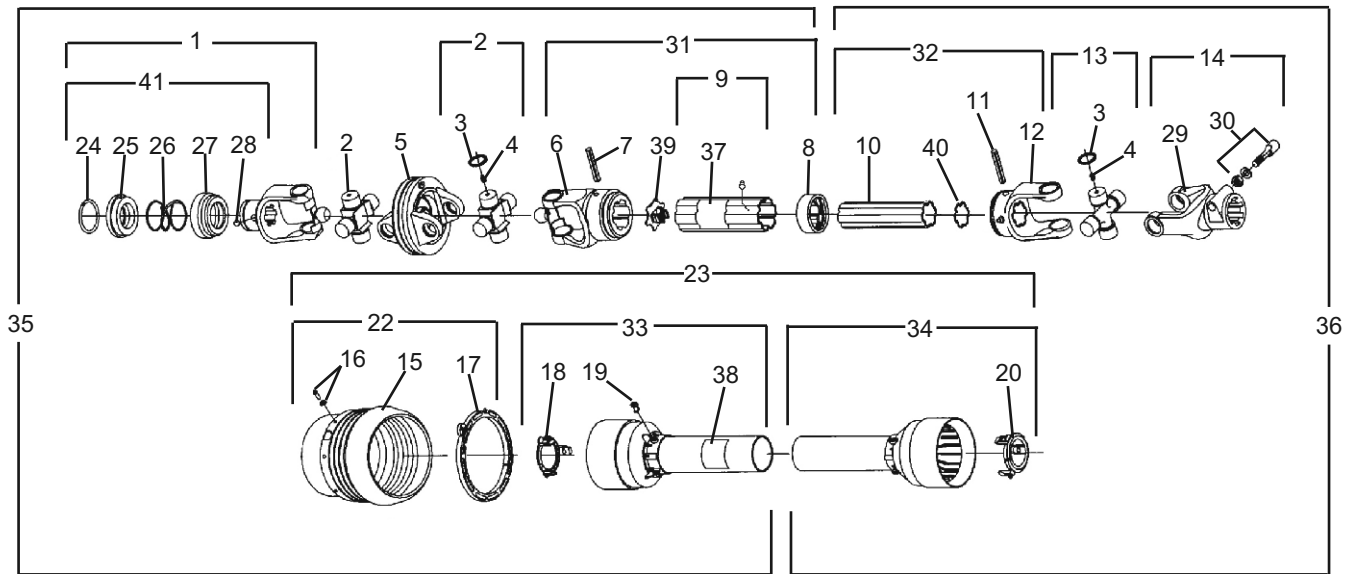
50069764SP C.V. Driveshaft
Input : 1-3/8" – 6 Spline, ASAE Size 5
Manufactured by Comer / EG
2815R2 & 2810R2 (540 RPM Models)

REF. NO.	PART NO.	DESCRIPTION	QTY.	REF. NO.	PART NO.	DESCRIPTION	QTY.
1	50017504	Complete Yoke	1	22	50056406	Guard Cone Set	1
2	50056400	Cross Journal Set	2	23	50071245	Complete Guard w/Inst. Manual	1
3	-----	Circlip	12	24	-----	Outer Circlip	1
4	76335	Grease Nipple	3	25	-----	Sliding Sleeve Collar	1
5	76357	Wide Angle Double Yoke	1	26	-----	Spring	1
6	76896	Outer Yoke	1	27	-----	Fixed Sleeve	1
7	67108	Roll Pin - Outer & Inner Tube	1	28	-----	Ball, 1/2"	3
8	76897	Wiper	1	29	50061010	Yoke	1
9	50071242	Complete Outer Tube	1	30	76247	Tapered Pin Set 1-3/4"	1
10	50071243	Inner Tube	1	31	-----	Female Tube w/Yoke	1
11	67085	Roll Pin For Inner Tube	1	32	-----	Male Tube w/Yoke	1
12	50071244	Inner Yoke	1	33	-----	Half Female Guarding w/Label	1
13	50056401	Cross Journal Set	1	34	-----	Half Male Guarding	1
14	76239BH	Complete Yoke	1	35	-----	Half Female Shaft w/Guarding	1
15	-----	Guard Cone	1	36	50071246	Half Male Shaft w/Guarding	1
16	76362	Screw Kit	6	37	78786	Decal, Danger - Outer Tube	1
17	50056402	Bearing Ring	1	38	78608	Decal, Danger - Outer Guard Tube	1
18	50056403	Guard Ret. Collar - Outer Tube	1	39	76899	Plastic Cap - Outer Tube	1
19	50056404	Bolt	6	40	50071247	Plastic Cap - Inner Tube	1
20	50056405	Guard Ret. Collar - Inner Tube	1	41	50017480	Kit Collar For Yoke 1-3/8"	1
21	50075570	Grease Fitting	1				



50069765SP C.V. Driveshaft
Input : 1-3/8" – 21 Spline, ASAE Size 5
Manufactured by Comer / EG
12815R2 & 12810R2 (1000 RPM Models)

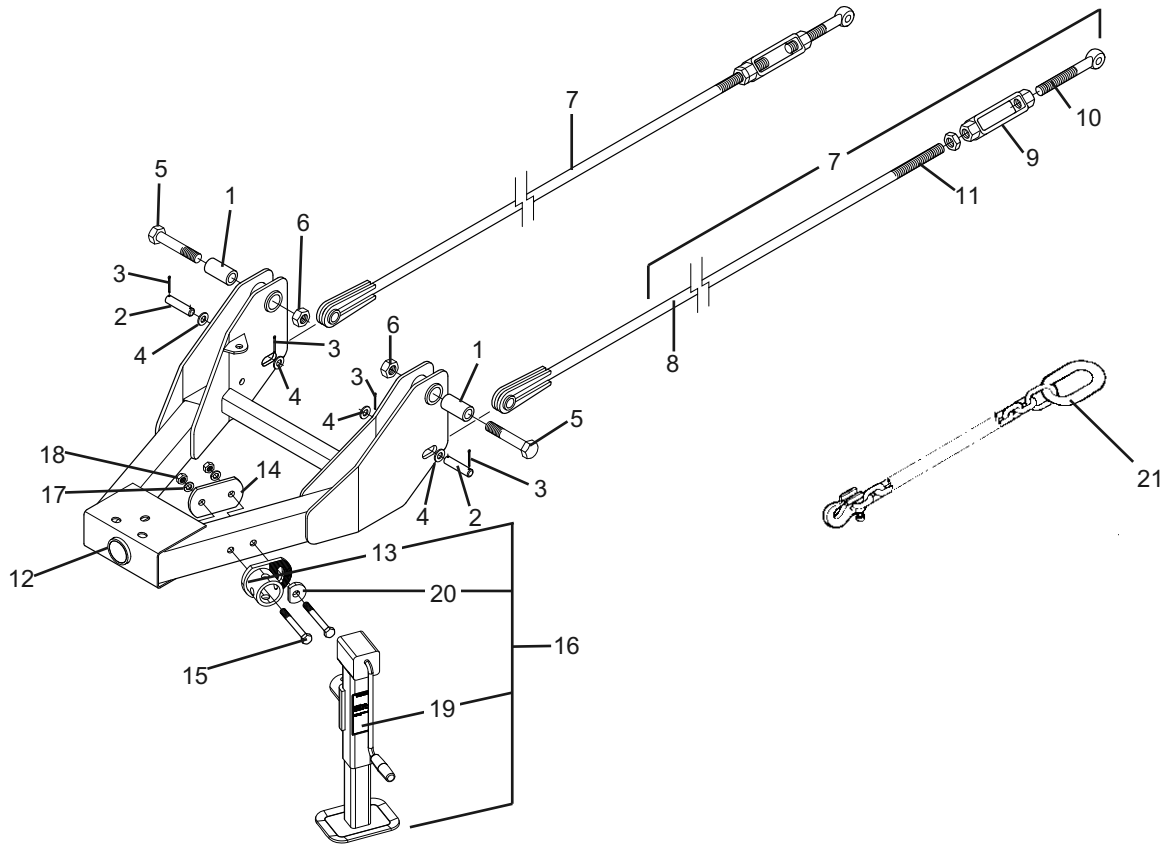
REF. NO.	PART NO.	DESCRIPTION	QTY.	REF. NO.	PART NO.	DESCRIPTION	QTY.
1	50017482	Complete Yoke	1	22	50056419	Guard Cone Set	1
2	50056414	Cross Journal Set	2	23	50071251	Complete Guard w/Inst. Manual	1
3	-----	Circlip	8	24	-----	Outer Circlip	1
4	76335	Grease Nipple	3	25	-----	Sliding Sleeve Collar	1
5	76421	Wide Angle Double Yoke	1	26	-----	Spring	1
6	76893	Outer Yoke	1	27	-----	Fixed Sleeve	1
7	66866	Roll Pin - Outer & Inner Tube	2	28	-----	Ball, 1/2"	3
8	76894	Wiper	1	29	-----	Yoke	1
9	50071248	Complete Outer Tube	1	30	76247	Tapered Pin Set 1-3/4"	1
10	50071249	Inner Tube	1	31	-----	Female Tube w/Yoke	1
11	50071250	Inner Yoke	1	32	-----	Male Tube w/Yoke	1
12	50056411	Cross Journal Set	1	33	-----	Half Female Guarding w/Label	1
13	-----	Circlip	4	34	-----	Half Male Guarding	1
14	76422	Complete Yoke	1	35	-----	Half Female Shaft w/Guarding	1
15	-----	Guard Cone	1	36	50071252	Half Male Shaft w/Guarding	1
16	76362	Screw Kit	6	37	78786	Decal, Danger - Outer Tube	1
17	50056416	Bearing Ring	1	38	78608	Decal, Danger - Outer Guard Tube	1
18	50056417	Guard Ret. Collar - Outer Tube	1	39	76892	Plastic Cap - Outer Tube	1
19	50056404	Bolt	6	40	50071253	Plastic Cap - Inner Tube	1
20	50056418	Guard Ret. Collar - Inner Tube	1	41	50017480	Kit Collar For Yoke 1-3/8"	1
21	-----	Safety Chains	3				



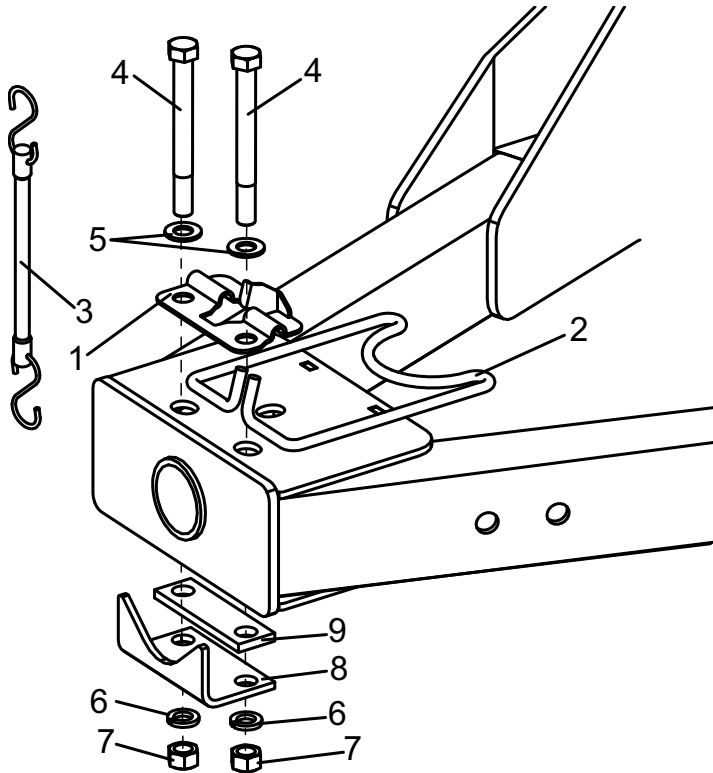
50074699SP C.V. Driveshaft
(REPLACES 50054670SP DRIVESHAFT)
Input : 1-3/4" – 20 Spline, ASAE Size 5
Manufactured by Comer / EG
12815R2 & 12810R2 (1000 RPM Models)

REF. NO.	PART NO.	DESCRIPTION	QTY.	REF. NO.	PART NO.	DESCRIPTION	QTY.
	50074699SP	Assembly, Driveline	1	22	50075192	Guard Cone Set	1
1	50056927	Complete Yoke	1	23	50075193	Complete Guard w/Inst. Manual	1
2	50056400	Cross Journal Set	2	24	-----	Outer Circlip	1
3	-----	Circlip	12	25	-----	Sliding Sleeve Collar	1
4	76335	Grease Nipple	3	26	-----	Spring	1
5	76357	Wide Angle Double Yoke	1	27	-----	Fixed Sleeve	1
6	76896	Outer Yoke	1	28	-----	Ball, 1/2"	3
7	67108	Roll Pin - Outer & Inner Tube	1	29	-----	Yoke	1
8	76897	Wiper	1	30	76247	Tapered Pin Set 1-3/4"	1
9	50075190	Complete Outer Tube	1	31	-----	Female Tube w/Yoke	1
10	50075191	Inner Tube	1	32	-----	Male Tube w/Yoke	1
11	67085	Roll Pin For Inner Tube	1	33	-----	Half Female Guarding w/Label	1
12	50071244	Inner Yoke	1	34	-----	Half Male Guarding	1
13	50056411	Cross Journal Set	1	35	-----	Half Female Shaft w/Guarding	1
14	76239BH	Complete Yoke	1	36	-----	Half Male Shaft w/Guarding	1
15	-----	Guard Cone	1	37	78786	Decal, Danger - Outer Tube	1
16	76362	Screw Kit	6	38	78608	Decal, Danger - Outer Guard Tube	1
17	50056402	Bearing Ring	1	39	76899	Plastic Cap - Outer Tube	1
18	50056403	Guard Ret. Collar - Outer Tube	1	40	50071247	Plastic Cap - Inner Tube	1
19	50056404	Bolt	6	41	50017502	Kit Collar For Yoke 1-3/4"	1
20	50056405	Guard Ret. Collar - Inner Tube	1				

**TONGUE, LEVELING ROD & RELATED PARTS
FOR 2815R2, 2810R2, 12815R2 & 12810R2 MODELS**

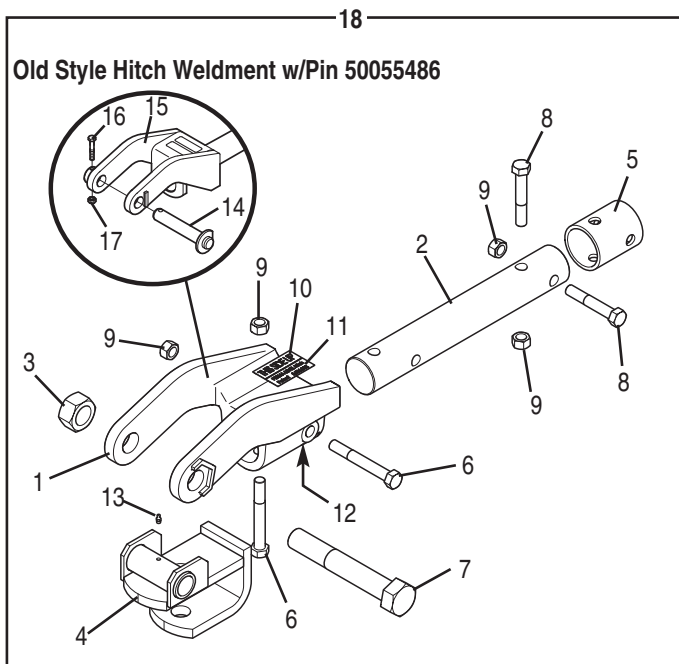


REF. NO.	PART NO.	DESCRIPTION	QTY.
1	50054456	Sleeve Bushing	2
2	50054389	Clevis Pin	2
3	20167	Cotter Pin, 3/16" x 2"	4
4	20376	Flatwasher, 1" SAE	4
5	19137	Capscrew, 1" x 5-1/2"	2
6	9163200	Locknut, 1"	2
7	50054463	Leveling Rod Assy	2
8	50054461	Rod Weldment	1
9	53053	Turnbuckle	1
10	60636	Turnbuckle End	1
11	15612	Hex Jam Nut	1
12	50069248	Tongue Weldment	1
13	00779360	Bracket, Jack Weldment	1
14	50069926	Mount Pad	1
15	44064BH	Capscrew, 3/4" x 5"	2
16	00779350	Jackstand Assy (Includes Items 13, 19 & 20)	1
17	146	Lockwasher, 3/4"	2
18	19517	Hex Nut, 3/4"	2
19	D482	Decal, Warning	1
20	00779361	Washer, Jack	1
21	91074	Safety Tow Chain	1



DRIVELINE HOLDER ASSEMBLY
For 2815R2, 2810R2, 12815R2 & 12810R2

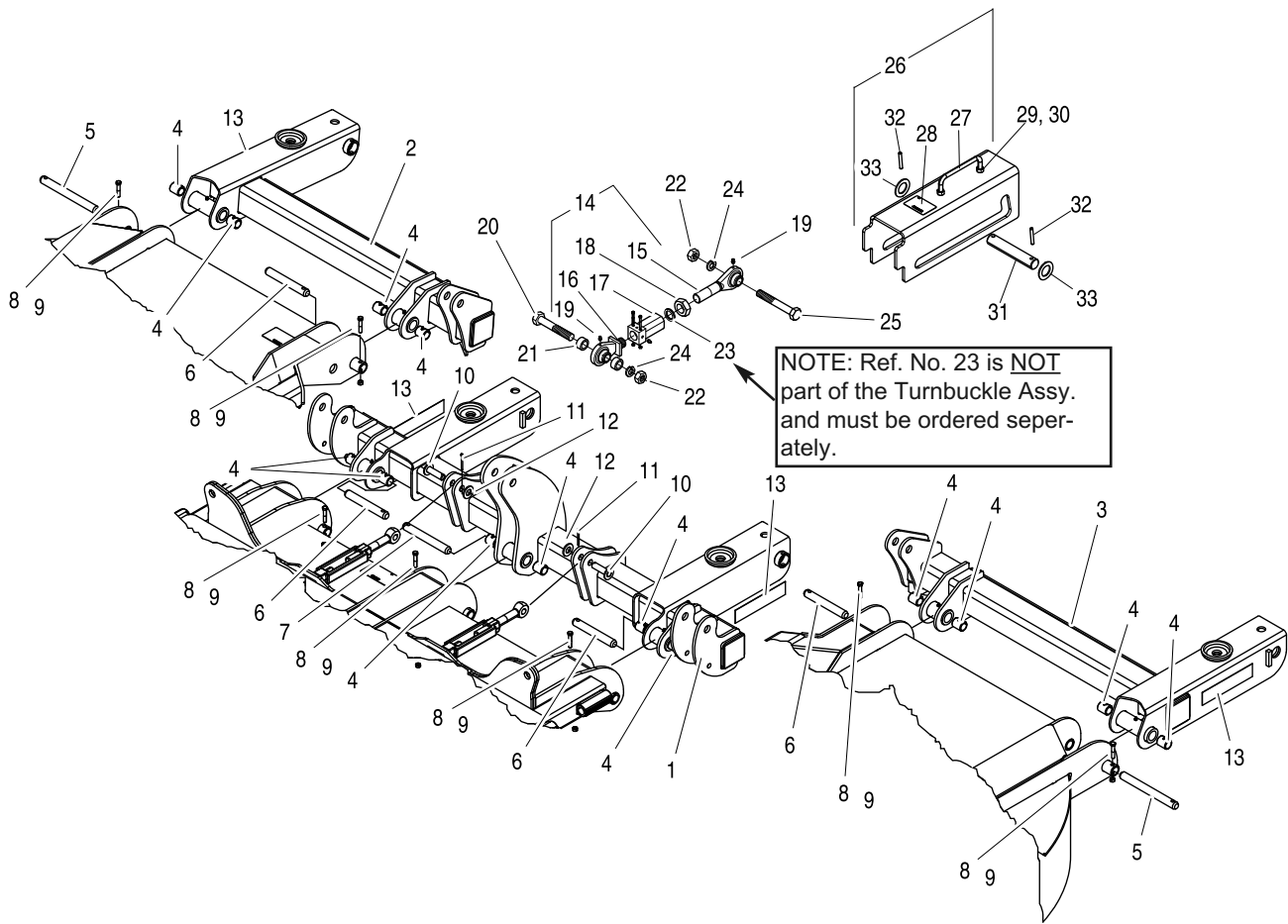
REF. NO.	PART NO.	DESCRIPTION	QTY.
1	50054710	Mounting Bracket Weld.	1
2	50054711	Formed Driveline Holder	1
3	50060002	Tie-Down Strap	1
4	20923	Capscrew, 5/8" x 6"	2
5	20748	Flatwasher, 5/8" SAE	2
6	19486	Lockwasher, 5/8"	2
7	15563	Hex Nut, 5/8"	2
8	50081372	Formed Stop	1
9	50081373	Pad	1
10	-----	Instruction Sheet (50080870)	1



50054505SP
SWIVEL PIVOT HITCH ASSEMBLY
For 2815R2, 2810R2, 12815R2 & 12810R2

REF. NO.	PART NO.	DESCRIPTION	QTY.
1	50074196	Hitch w/Decals	1
2	50074187	Shaft	1
3	15521	Locknut, 1-1/4" Gr. C	1
4	50080681	Clevis Assembly	1
5	86356	Collar	1
6	-----	Capscrew, 5/8" x 4-3/4" Gr. 5	2
7	45324	Capscrew, 1-1/4" x 8" Gr. 5	1
8	44168BH	Capscrew, 5/8" x 3-3/4" Gr. 5	2
9	15598BH	Locknut, 5/8"	4
10	50035874	Decal, Direction	1
11	97692	Decal, Patent	1
12	50045639	Decal, Direction	1
13	150033	Grease Fitting	1
14	50055486	Pin Weldment	1
15	50055447	Hitch Weldment	1
16	20048	Capscrew, 3/8" x 2-1/4" Gr. 5	1
17	9131200	Locknut, 3/8"	1
18	50054505SP	Swivel Pivot Hitch Assy	1

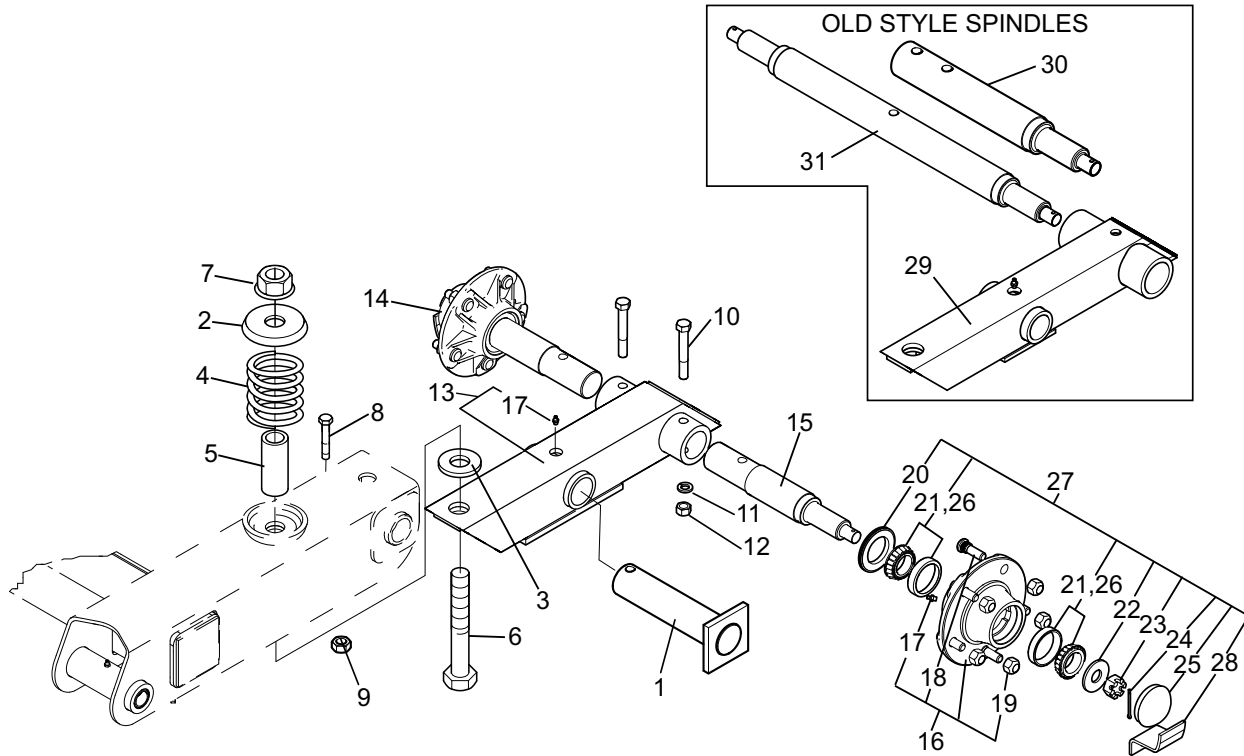
AXLES & RELATED PARTS FOR 2815R2, 2810R2, 12815R2 & 12810R2 MODELS



REF. NO.	PART NO.	DESCRIPTION	QTY.
1	50069276	Center Axle w/Wear Bearings	1
2	50069262	Wing Axle w/Wear Bushings R.H.	1
3	50069292	Wing Axle w/Wear Bushings L.H.	1
4	50021149	Wear Bushing	14
5	50029760	Pin, Pivot, 1" x 9.88"	2
6	50054388	Pin, Pivot, 1" x 7.25"	4
7	50054387	Pin, Pivot, 1" x 8"	1
8	45130BH	Capscrew, 3/8" x 2" Gr. 5	7
9	45105BH	Locknut, 3/8"	7
10	14-32-49	Clevis Pin	2
11	20167	Cotter Pin, 3/16" x 2"	2
12	15922	Flatwasher, 7/8" SAE	2
13	50031212	Reflector, Amber	4
14	50052742	Turnbuckle Swivel Assy (15-19)	2
15	50052745	Rod Eye, Threaded	2
16	50052744	Rod Eye, Swivel	2
17	50052743	Turnbuckle Body	2

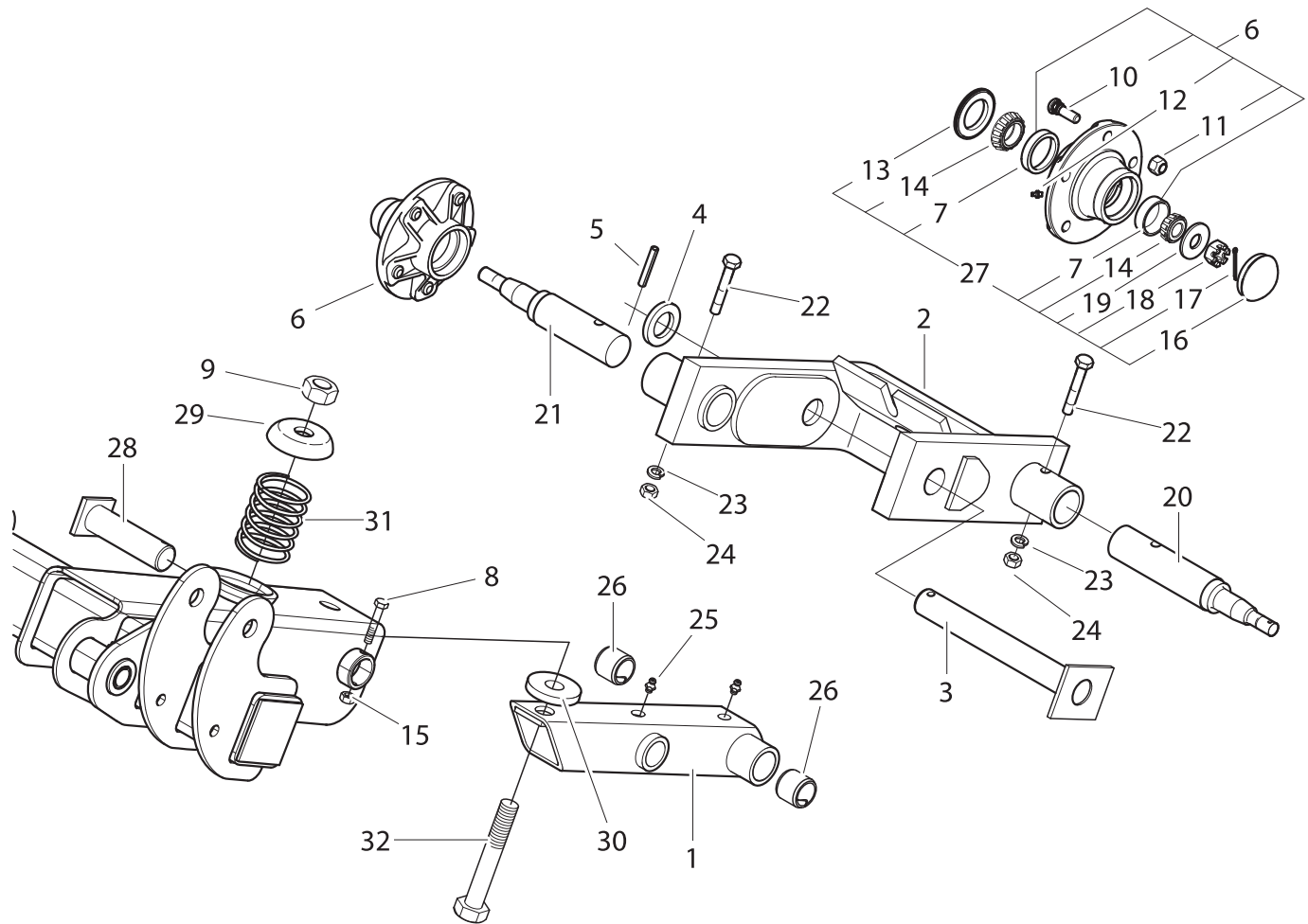
REF. NO.	PART NO.	DESCRIPTION	QTY.
18	50052746	Locknut, 1-1/4"	2
19	449BH	Grease Fitting	6
20	19137	Capscrew, 1" x 5-1/2" Gr. 5	2
21	50052732	Spacer, .75"	4
22	9163200	Locknut, 1"	2
23	50038405	Nord-Lockwasher, 1-1/4"	2
24	15821	Lockwasher, 1"	4
25	20547BH	Capscrew, 1" x 4-1/2" Gr. 5	2
26	50069408	Transport Lockout Assy	1
27	50027637	U-Bolt, Foot Platform	1
28	D544	Decal, Important	1
29	8151200	Hex Nut, 3/8"	2
30	20363	Locknut, 3/8"	2
31	50069413	Cylinder Pin, 5-5/8" Lg.	1
32	20325	Roll Pin, 1/4" x 1-3/4"	2
33	45057BH	Flatwasher, 1"	2

**AXLE ARMS & RELATED PARTS
SINGLE & DUAL SPINDLE
FOR 2815R2, 2810R2, 12815R2 & 12810R2 MODELS**

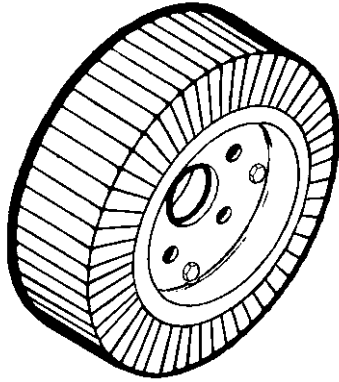


REF. NO.	PART NO.	DESCRIPTION	QTY.
	50074780	Single Spindle Axle Arm L.H.	1
	50074779	Single Spindle Axle Arm R.H.	1
	50074778	Dual Axle Arm	2
1	50054506	Pin Weldment	1
2	91152	Cup, Spring	1
3	91261	Cushion, Rubber	1
4	50070462	Spring, Coil	1
5	50070560	Spring Stop	1
6	20860	Capscrew, 1" x 7-1/2" Gr. 5	1
7	44524BH	Locknut, 1" Flanged	1
8	20224	Capscrew, 3/8" x 2-1/2" Gr. 5	1
9	20363	Locknut, 3/8"	1
10	20779	Capscrew, 1/2" x 3-1/2" Gr. 5	1
11	15806	Lockwasher, 1/2"	1
12	15554	Locknut, 1/2"	1
13	50074777	Axle Tube Weldment w/Grease Fitting (New Style)	1
14	50073131	Single Spindle Axle and Hub Assy.	1
15	50073119	Spindle (New Style)	1
16	50035740	Hub Assy w/Cups, Lug Bolts, Nuts & Grease Fittings	1
17	449BH	Grease Fitting	2
18	15445	Lug Bolt	5
19	15515BH	Lug Nut	5
20	7967	Seal, Grease	1
21	50076BH	Bearing Cone	2
22	15920	Flatwasher, 3/4" SAE	1
23	120BH	Slotted Nut, 3/4" NF	1
24	15973	Cotter Pin	1
25	14-6-243	Hub Cap	1
26	14-6-197	Bearing Cup	2
27	50035756	Bearing Repair Kit	1
28	00779390	Retainer, Hub Cap	1
29	92007	Axle Tube Weld. (Old Style) w/Grease Fitting	1
30	50052960	Single Spindle (Old Style)	1
31	50069411	Dual Spindle (Old Style)	1

TANDEM AXLE ASSEMBLY FOR 2815R2, 2810R2, 12815R2 & 12810R2 MODELS

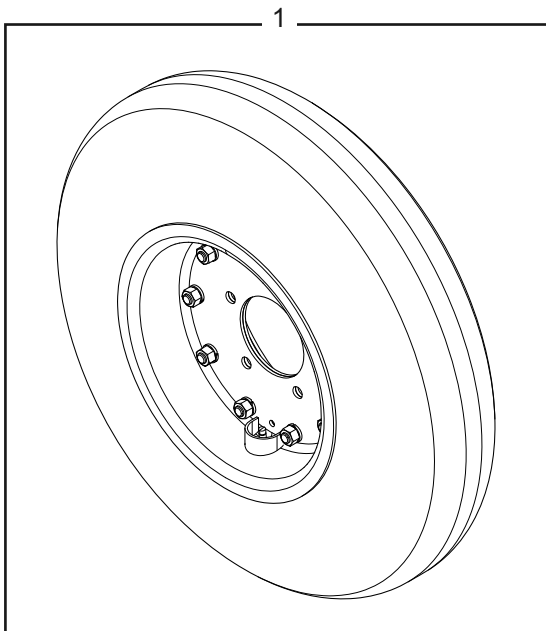


REF. NO.	PART NO.	DESCRIPTION	QTY.	REF. NO.	PART NO.	DESCRIPTION	QTY.
	50035741	Tandem Axle Assy L.H. (Shown)	1	17	296	Cotter Pin, 1/8" x 1-1/2"	2
	50035742	Tandem Axle Assy R.H.	1	18	120BH	Nut, Slotted, 3/4" NF	2
1	50032471	Tube Assy w/Grease Fittings	1	19	15920	Flatwasher, 3/4" SAE	2
2	50032478	Spindle Weldment L.H. (Shown)	1	20	50041171	Spindle, 11.19"(Long)	1
	50032477	Spindle Weldment R.H.	1	21	50041170	Spindle, 9.82" (Short)	1
3	50032483	Pin Weldment	1	22	45163BH	Capscrew, 1/2" x 3-1/4"	2
4	15924	Flatwasher, 1-1/2"	1	23	45104	Locknut, 1/2"	2
5	53065	Spiral Pin, 3/8" x 2-1/2"	1	24	45111BH	Lockwasher, 1/2"	2
6	50035740	Hub Assembly	1	25	449BH	Grease Fitting	2
7	14-6-197	Bearing Cup	2	26	50028543	Spring Bushing	2
8	45265BH	Capscrew, 3/8" x 2-1/2" Gr. 5	4	27	50035756	Bearing Repair Kit	1
9	44524BH	Locknut, 1" Flanged	4	28	50054506	Pin Weldment	4
10	15445	Lug Bolt	5	29	91152	Spring Cup	4
11	15515BH	Lug Nut	5	30	91261	Rubber Cushion	4
12	449BH	Grease Fitting	1	31	50035301	Spring, Coil	4
13	7967	Seal	2	32	20860	Capscrew, 1" x 7-1/2"	4
14	50076BH	Bearing Cone, Inner	4				
15	20363	Locknut, 3/8"	4				
16	14-6-243	Hub Cap	2				

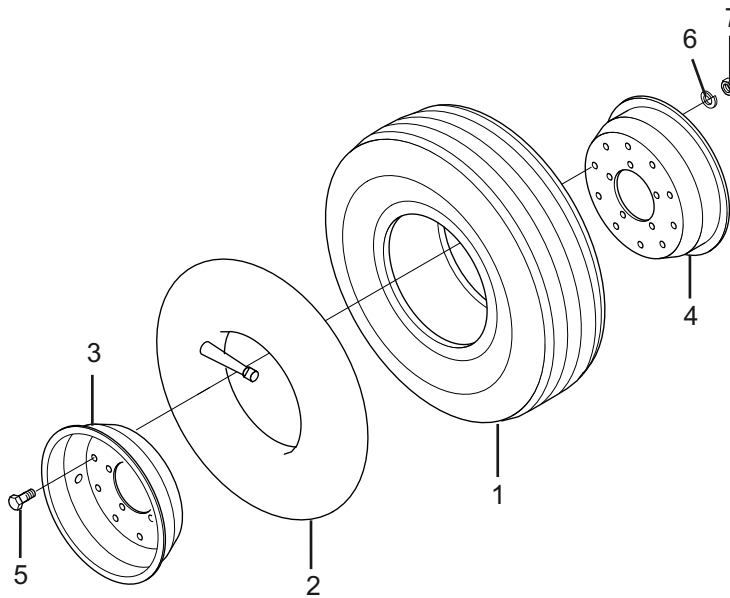


294SP SOLID TIRE ASSEMBLY
Models: 2815R2, 2810R2, 12815R2 &
12810R2

50068834SP FOAM FILLED AIRPLANE TIRE ASSY.
26 x 6.6 x 14"



REF. NO.	PART NO.	DESCRIPTION	QTY.
1	50068834SP	Foam Filled Tire Assembly 26 x 6.6 x 14	1

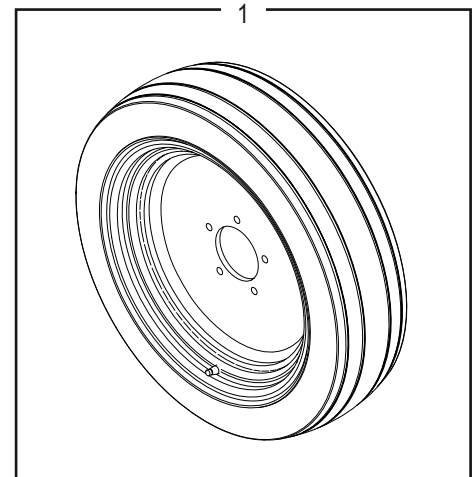


50050727SP AIRPLANE TIRE ASSEMBLY
Models: 2815R2, 2810R2, 12815R2 & 12810R2

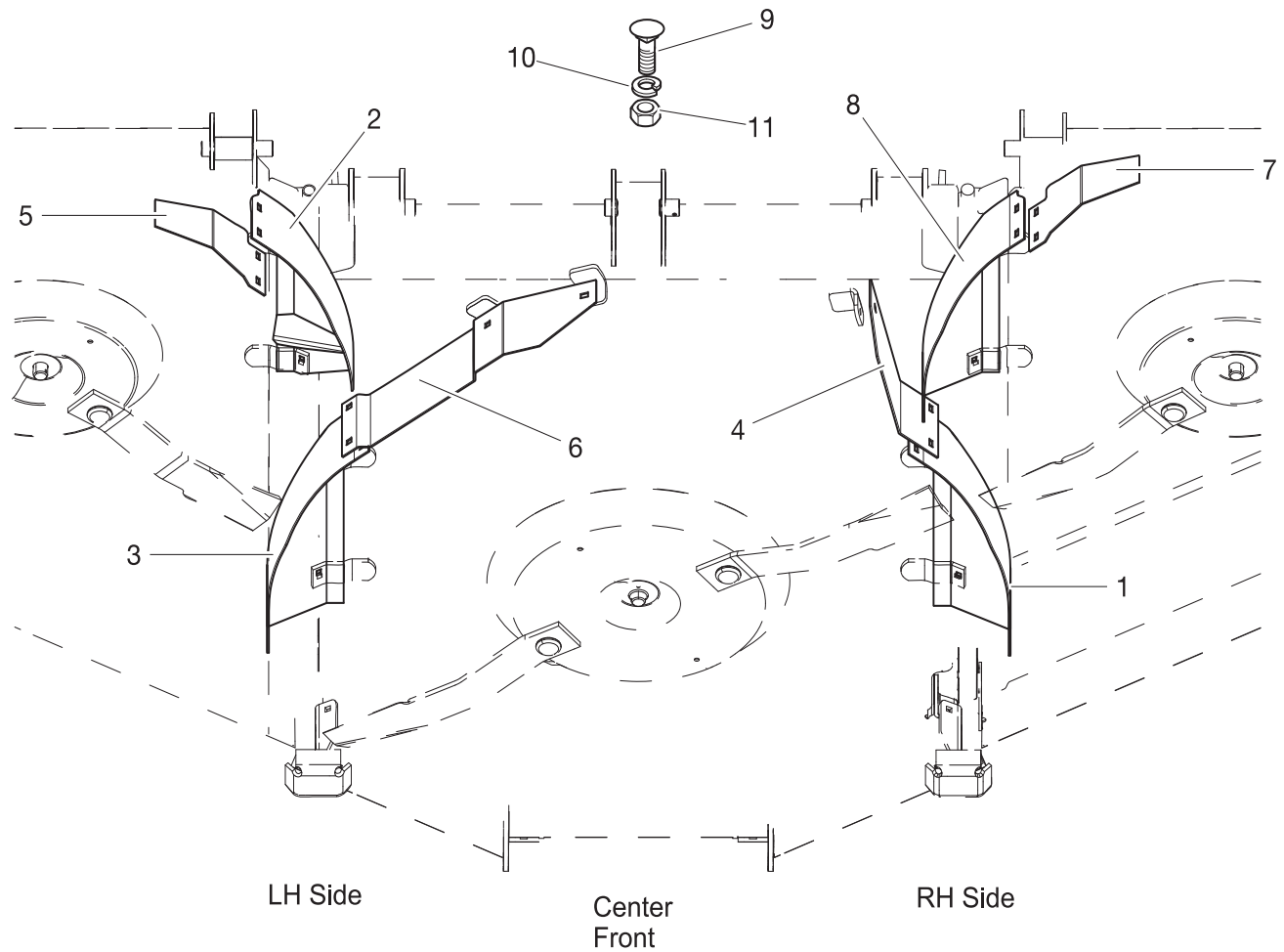
REF. NO.	PART NO.	DESCRIPTION	QTY.
1	50051233BH	Tire 29 x 9.0 - 15/16 Ply	1
2	50051234	Tube 9 x 15	1
3	50051235	Wheel Flange w/Valve Hole	1
4	50051236	Wheel Flange w/o Valve Hole	1
5	-----	Capscrew, 1/2" x 1" Gr. 5	10
6	-----	Lockwasher, 1/2"	10
7	-----	Hex Nut, 1/2"	10

5007775SP FOAM FILLED AIRPLANE TIRE ASSY.
25" x 7" - 18"

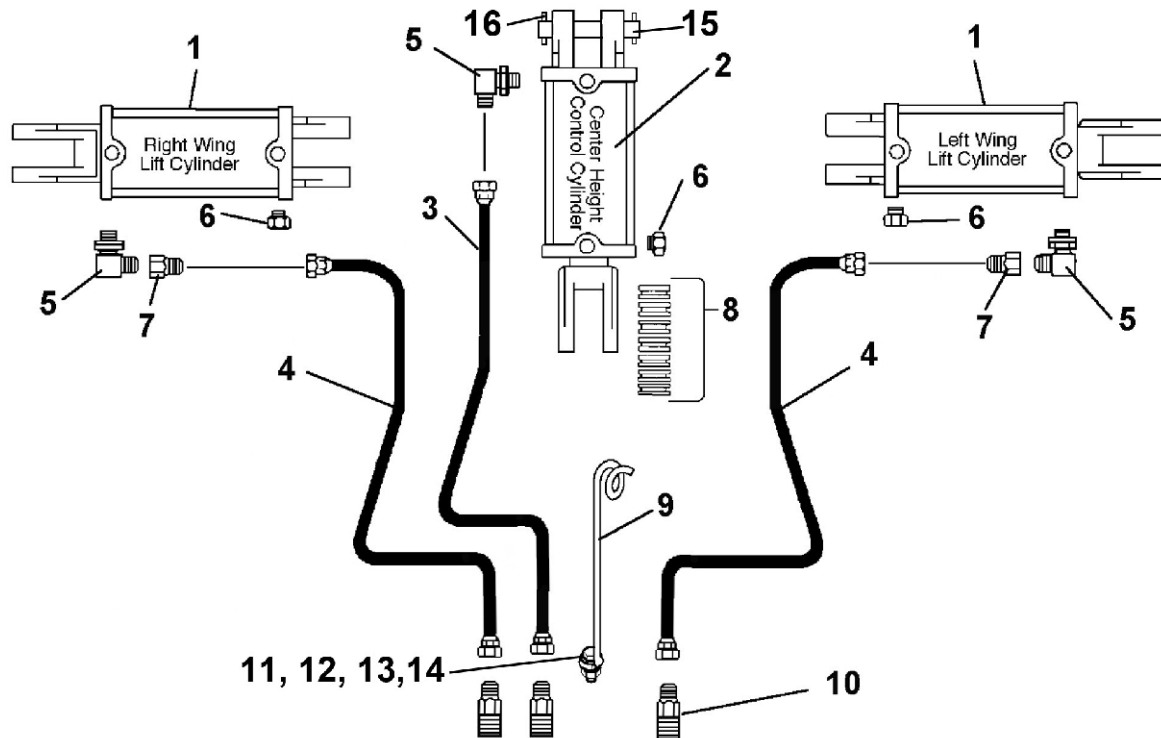
REF. NO.	PART NO.	DESCRIPTION	QTY.
1	5007775SP	Foam Filled Tire Assembly 25" x 7"- 18"	1



BAFFLE KIT
FOR 2815R2, 2810R2, 12815R2 & 12810R2 MODELS

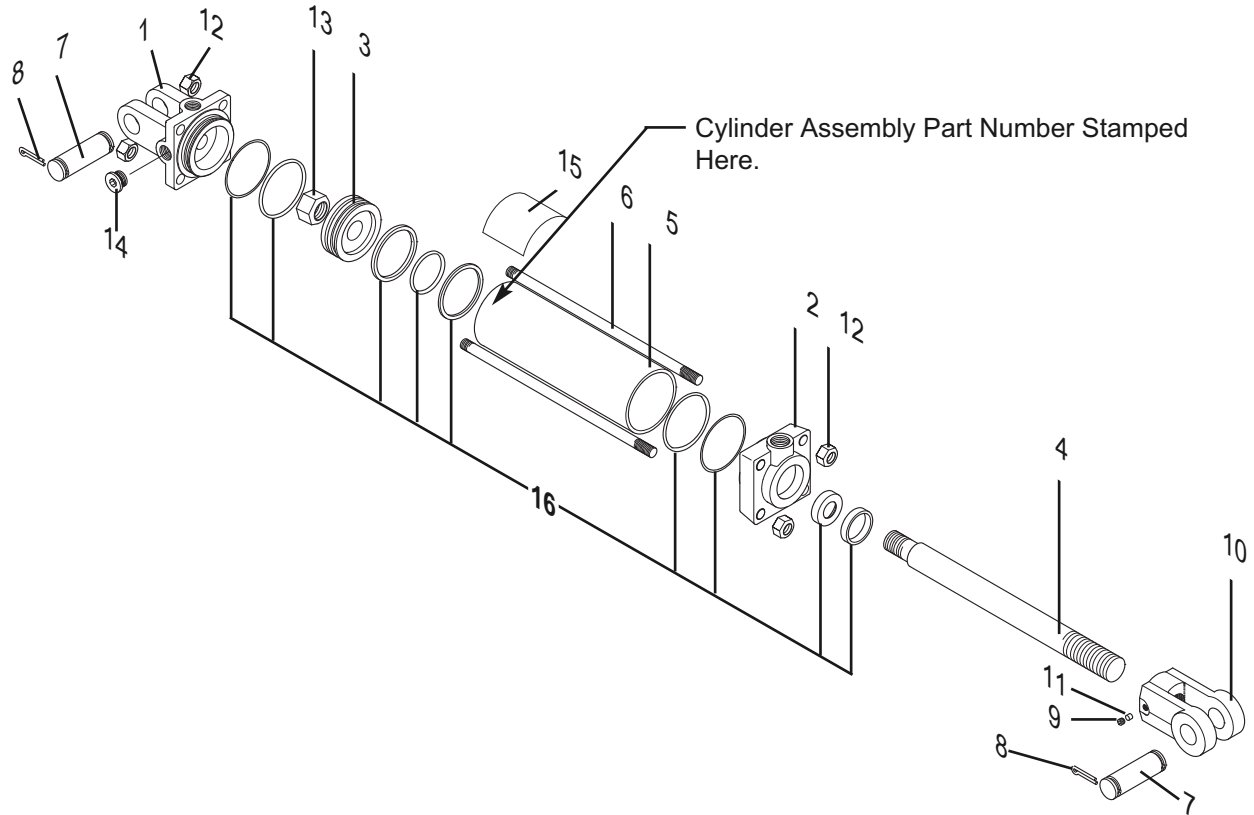


REF. NO.	PART NO.	DESCRIPTION	QTY.
1	50070222	Baffle Weldment R.H. Wing	1
2	50070223	Baffle Weldment L.H. Wing (2815, 12815 Only)	1
3	50070224	Baffle Weldment L.H. Center	1
4	50070225	Baffle Extension R.H. Center	1
5	50070228	Baffle Extension L.H. Wing (2815, 12815 Only)	1
6	50070229	Baffle Extension L.H. Center	1
7	50070232	Baffle Extension R.H. Wing	1
8	50070219	Baffle Weldment R.H. Wing	1
9	44286	Carriage Bolt, 3/8" x 1-1/2 Gr. 5	9
10	15802	Lockwasher, 3/8"	9
11	8151200	Hex Nut, 3/8"	9



**HYDRAULICS FOR 2815R2, 2810R2, 12815R2 & 12810R2 MODELS
WHEN PLUMBING TO TRACTOR REMOTES**

REF. NO.	PART NO.	DESCRIPTION	QTY.
1	99564	Wing Lift Cylinder	2
2	99565	Axle Control Cylinder	1
3	62774	Hydraulic Hose Assy. 228"	1
4	50015063	Hydraulic Hose Assy. 196"	2
5	14-40-98	Elbow 90 degree	3
6	86500	Breather Plug	3
7	50068458	Restrictor, .078 Orifice	2
8	63451	Stop Kit	1
9	12031	Rod, Hose Holder	1
10	53340BH	Adaptor 9/16 JIC to 3/4 SAE	3
	24-6-434	Adaptor 9/16 JIC to 1/2 NPT	3
11	20947	Capscrew, 5/8" x 2" Gr. 5	1
12	15925	Flatwasher, 5/8"	1
13	19486	Lockwasher, 5/8"	1
14	15563	Hex Nut, 5/8"	1
15	50069414	Cylinder Pin, 6-5/8" Lg.	1
16	20325	Roll Pin, 1/4" x 1-3/4"	2



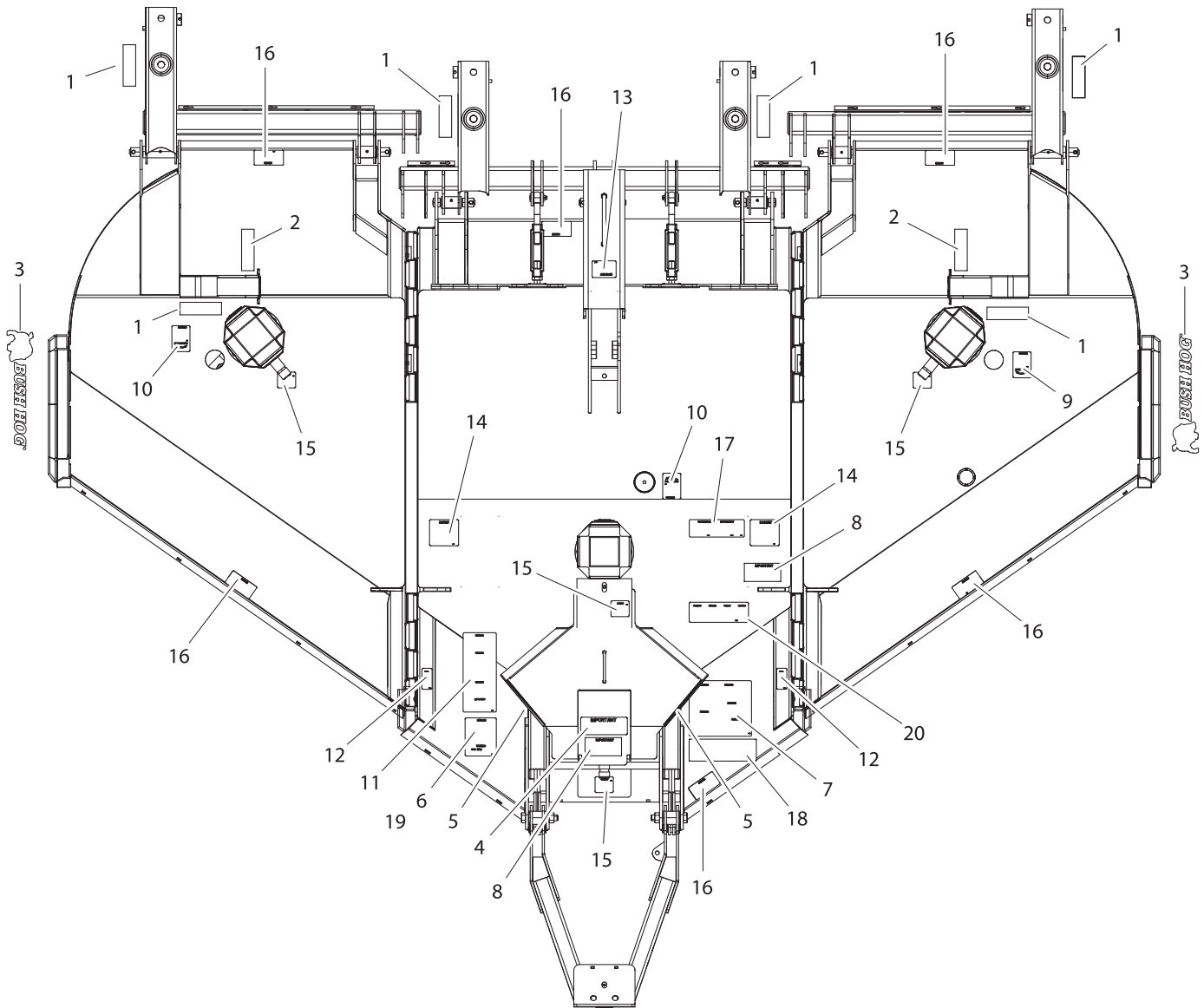
99565 AXLE HYDRAULIC CYLINDER
3.5" Bore x 8" Stroke 1.25 Rod Diameter
3/4" – 16 ORB Ports
Manufactured by Monarch

99564 WING HYDRAULIC CYLINDER
3" Bore x 12" Stroke 1.25" Rod Diameter
3/4" – 16 ORB Ports
Manufactured by Monarch

REF. NO.	PART NO.	DESCRIPTION	QTY.
1	95249	Clevis Cap	1
2	95430	Rod Cap	1
3	95432	Piston	1
4	95431	Rod 1.25" Dia.	1
5	95426	Cylinder Tube	1
6	95427	Tie Rod	4
7	95425	Pin, 1" Dia.	2
8	21020614	Cotter Pin, 3/16" x 1-1/2"	4
9	95433	Thread Lock	1
10	95428	Rod Clevis, 1.25" x 1"	1
11	95422	Set Screw, 3/8" x 1/2 Knurled	1
12	95420	Hex Nut, 5/8" UNF	8
13	95421	Hex Nut, 1"-14	1
14	95435	Plug, 3/4"	1
15	95423	Decal, Caution	1
16	50017623	Seal Kit	1

REF. NO.	PART NO.	DESCRIPTION	QTY.
1	95440	Clevis Cap	1
2	95439	Rod Cap	1
3	95441	Piston	1
4	95436	Rod 1.25" Dia.	1
5	95437	Cylinder Tube	1
6	95438	Tie Rod	4
7	95425	Pin, 1" Dia.	2
8	21020614	Cotter Pin, 3/16" x 1-1/2"	4
9	95433	Thread Lock	1
10	95428	Rod Clevis, 1.25" x 1"	1
11	95422	Set Screw, 3/8" x 1/2 Knurled	1
12	8151600	Hex Nut, 1/2"-14 UNC	8
13	95421	Hex Nut, 1"-14	1
14	95435	Plug, 3/4"	1
15	95423	Decal, Caution	1
16	50017622	Seal Kit	1

DECAL KITS FOR 2815R2, 2810R2, 12815R2 & 12810R2 MODELS



REF. NO.	PART NO.	DESCRIPTION	QTY.	REF. NO.	PART NO.	DESCRIPTION	QTY.
	50069429	Decal Kit For 2815R2/12815R2	1	9	D552	Decal, Blade Rotation CW	1
	50069427	Decal Kit For 2810R2/12810R2	1	10	D551	Decal, Blade Rotation CCW	2
1	50031212	Decal, Amber Reflector	6	11	D553	Decal, Warning	1
2	50031214	Decal, Red Reflector	2	12	D555	Decal, Danger	2
3	50061049	Decal, Bush Hog Logo	2	13	D544	Decal, Important	1
4	87340	Decal, Important	1	14	D565	Decal, Danger	2
5	50071611	Decal, Model 2815	2	15	D546	Decal, Danger	4
	50071612	Decal, Model 12815	2	16	D614	Decal, Danger (Thrown Object)	6
	50071710	Decal, Model 2810	2	17	D559	Decal, Gen. Bush Hog Parts	1
	50071711	Decal, Model 12810	2	18	D587	Decal, Lube	1
6	D547	Decal, Danger (540 RPM)	1	19	D548	Decal, Warning (1000 RPM Overlay)	1
7	D549	Decal, Sheet	1	20	D813	Decal, Danger - Multilingual	1
8	91443	Decal, Important	1				



BUSH HOG®

2501 GRIFFIN AVE. • SELMA, AL 36703
WWW.BUSHHOG.COM