

Farm King

OPERATOR AND PARTS MANUAL

CX **SERIES CONVENTIONAL AUGER**

Models 841, 851, 861, 1041, 1051, 1061

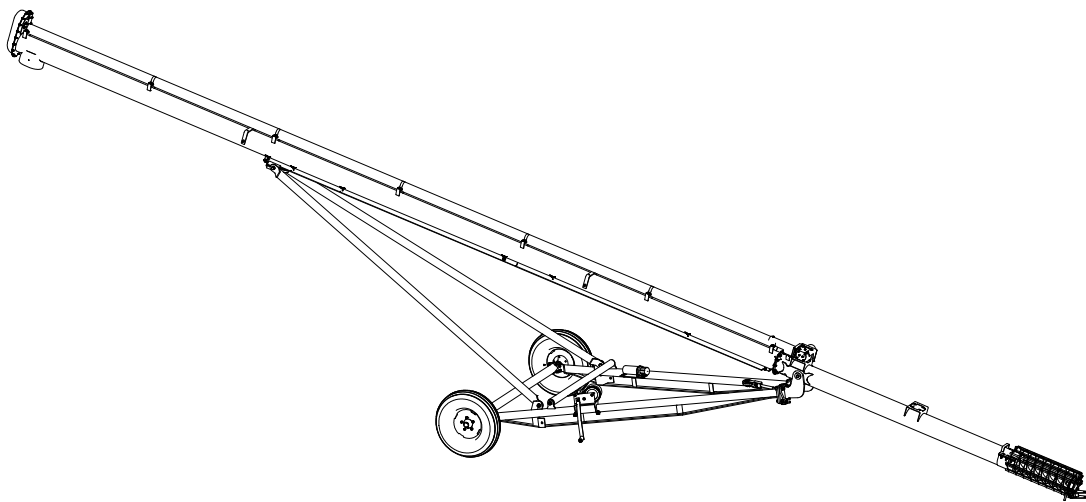


TABLE OF CONTENTS

Manufacturer's Statement: For technical reasons, Farm King reserves the right to modify machinery design and specifications provided herein without any preliminary notice. Information provided herein is of descriptive nature. Performance quality may depend on soil fertility, applied agricultural techniques, weather conditions, and other factors.

WARRANTY REGISTRATION FORM.....	3
INTRODUCTION.....	5
SAFETY.....	11
ASSEMBLY.....	27
OPERATION.....	63
MAINTENANCE.....	77
PARTS IDENTIFICATION.....	87
SPECIFICATIONS.....	171
WARRANTY.....	177

Farm King



WARRANTY REGISTRATION FORM

This form must be filled out by the dealer and signed by both the dealer and the customer at the time of delivery.

Customer Name:	
Customer Address:	
City:	Prov / State:
Postal / Zip Code:	Phone:

Dealer Name:	
Dealer Address:	
City:	Prov / State:
Postal / Zip Code:	Phone:

Auger Model:	Serial Number:	Delivery Date:
--------------	----------------	----------------

I have thoroughly instructed the buyer on the above described equipment which review included the Operator and Parts Manual content, equipment care, adjustments, safe operation and applicable warranty policy.

Dealer Inspection Report

- Bearings Turn Freely
- Belt Tension Checked
- Auger Tube Is Straight
- Flighting Turns Freely
- Gear Box Oil Level Checked
- All Fasteners Are Tight
- Machine Is Lubricated
- Check Tire Pressure

Safety

- All Lights And Reflectors Installed
- All Lights And Reflectors Cleaned And Working
- Safety Chain On Hitch
- All Decals Installed
- Guards And Shields Installed And Secure
- Review Operating And Safety Instructions
- Check For Hydraulic Leaks

Date:	Dealer Rep. Signature:
-------	------------------------

The above equipment and Operator And Parts Manual have been received by me and I have been thoroughly instructed as to care, adjustments, safe operation and applicable warranty policy.

Date:	Customer / Owner Signature:
-------	-----------------------------

Remove this Warranty Registration Form from the Operator And Parts Manual. Make two copies of the form. Send original Warranty Registration Form to Farm King. Give one copy to the customer and the dealer will keep one copy.

Farm King



INTRODUCTION

This Operator And Parts Manual was written to give the owner / operator instructions on the safe operation, maintenance and part identification of the Farm King equipment. **READ AND UNDERSTAND THIS OPERATOR AND PARTS MANUAL BEFORE OPERATING YOUR FARM KING EQUIPMENT.** If you have any questions, see your Farm King dealer. This manual may illustrate options and accessories not installed on your Farm King equipment.

OWNER'S INFORMATION.....	7
Serial Number Location.....	7
Manual Storage.....	7
EQUIPMENT IDENTIFICATION.....	8
Component Location.....	8

Farm King



OWNER'S INFORMATION

Thank you for your decision to purchase a Farm King CX2 Conventional Auger. To ensure maximum performance of your equipment, it is mandatory that you thoroughly study the Operator And Parts Manual and follow the recommendations. Proper operation and maintenance are essential to maximize equipment life and prevent personal injury.

Operate and maintain this equipment in a safe manner and in accordance with all applicable local, state, and federal codes, regulations and / or laws. Follow all on-product labeling and instructions.

Make sure that all personnel have read this Operator And Parts Manual and thoroughly understand safe and correct operating, installation and maintenance procedures.

Farm King is continually working to improve its products. Farm King reserves the right to make any improvements or changes as deemed practical and possible without incurring any responsibility or obligation to make any changes or additions to equipment sold previously.

Although great care has been taken to ensure the accuracy of this publication, Farm King makes no warranty or guarantee of any kind, written or expressed, implied or otherwise with regard to the information contained within this manual. Farm King assumes no responsibility for any errors that may appear in this manual and shall not be liable under any circumstances for incidental, consequential or punitive damages in connection with, or arising from the use of this manual.

Keep this manual available for frequent reference. All new operators or owners must review the manual before using the equipment and annually thereafter. Contact your Farm King Dealer if you need assistance, information, or additional copies of the manual.

Visit our website at www.farm-king.com for a complete list of dealers in your area.

The directions left, right, front and rear, as mentioned throughout this manual, are as viewed by the operator sitting in the tractor seat while towing the implement.

Serial Number Location

Please enter the model and serial number in the space provided for easy reference.

Figure 1



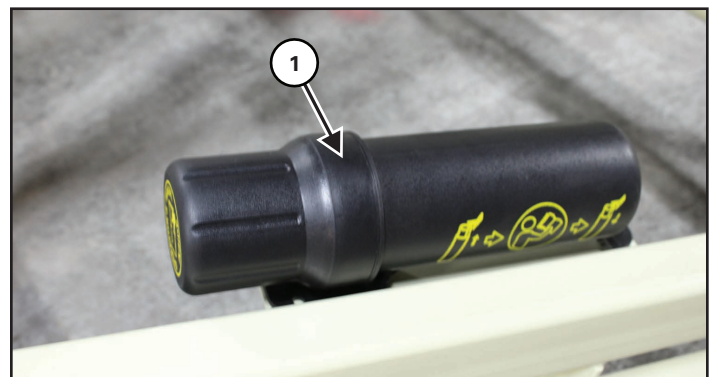
Model Number:
Serial Number:

The serial number plate (Item 1) [Figure 1] is located on the intake tube.

Always use your serial number when requesting information or when ordering parts.

Manual Storage

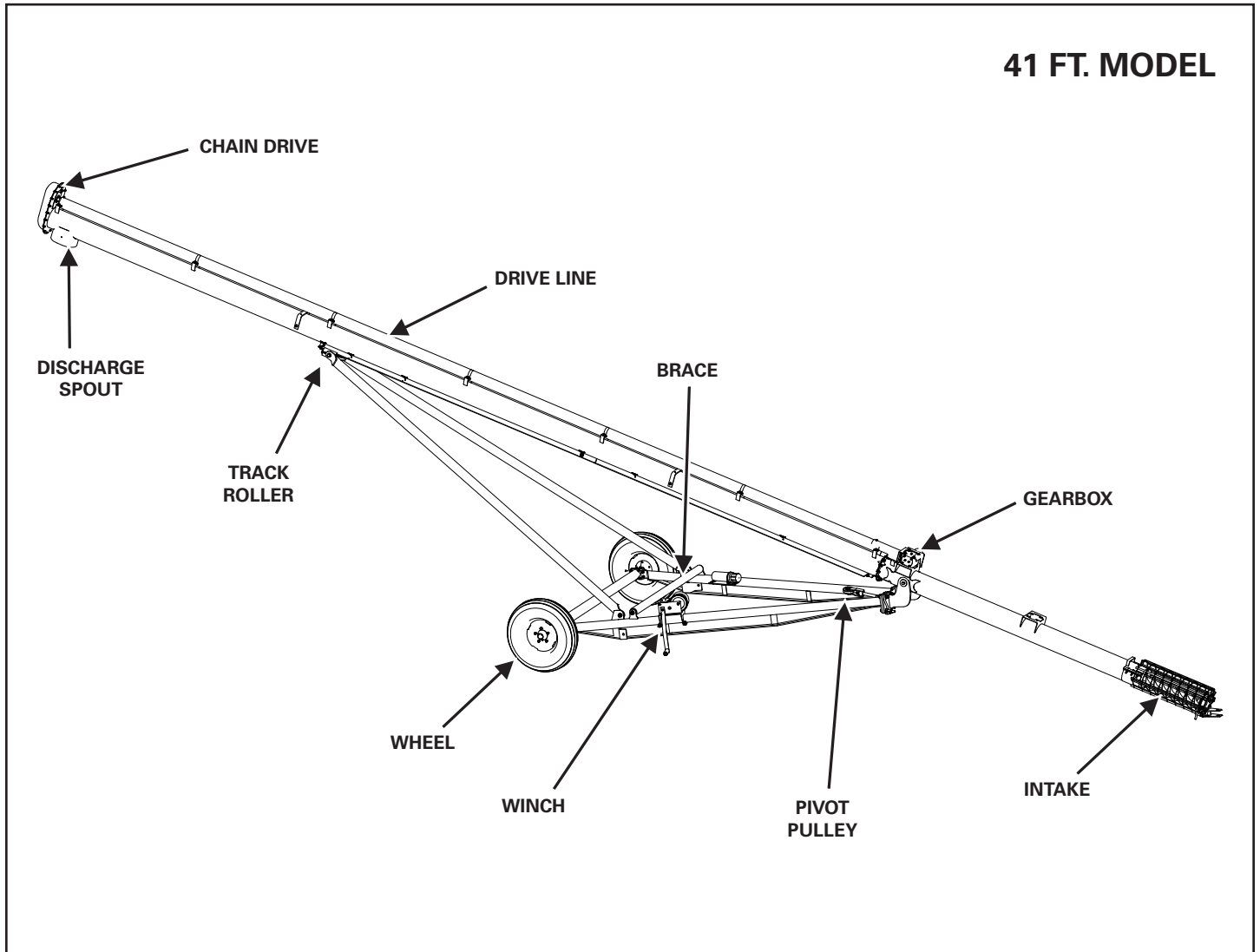
Figure 2



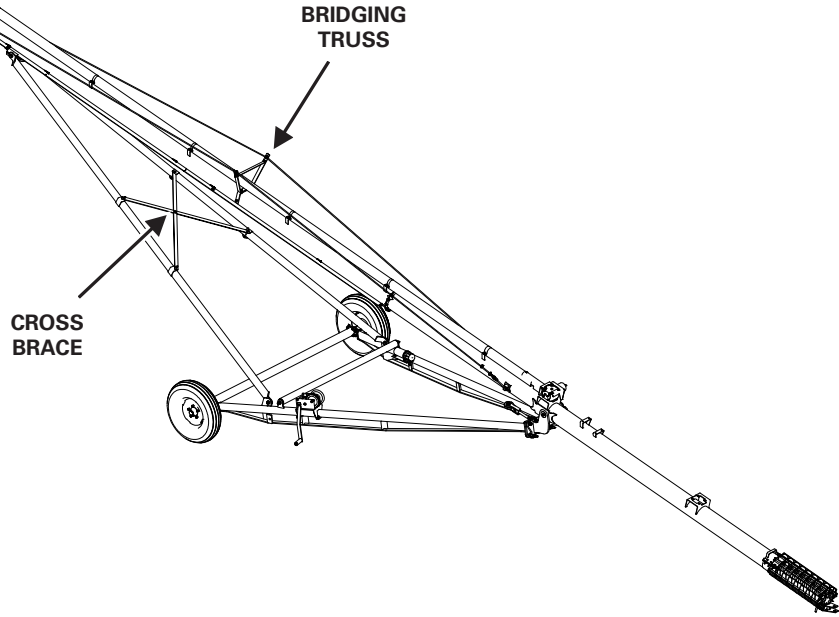
The operator and parts manual and other documents can be stored in the canister (Item 1) [Figure 2] located on the LH undercarriage arm.

EQUIPMENT IDENTIFICATION

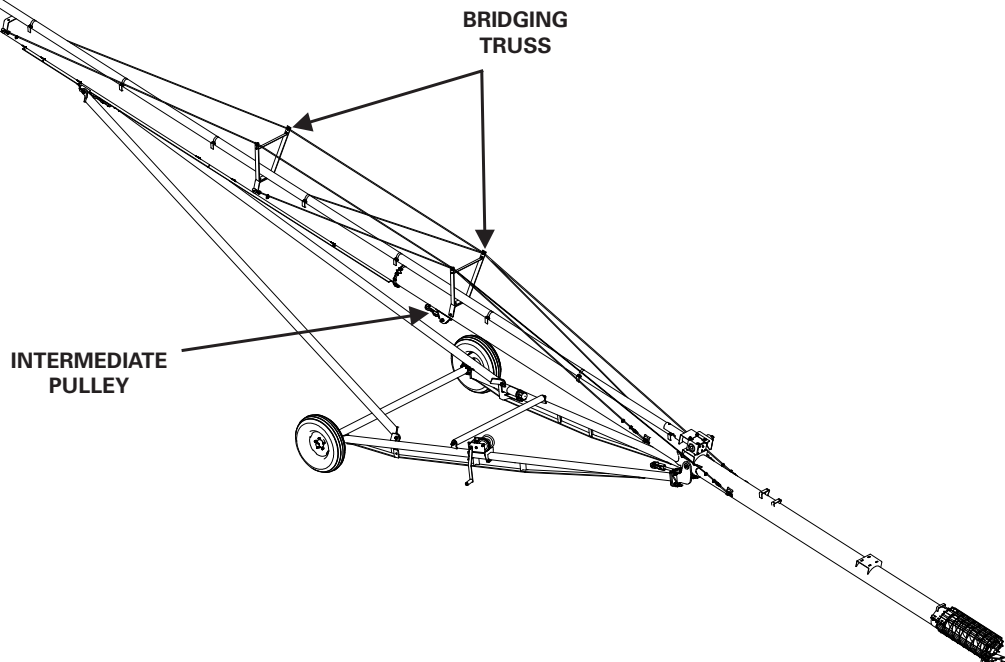
Component Location



51 FT. MODEL



61 FT. MODEL



Farm King



SAFETY


SAFETY INSTRUCTIONS.....	13
Safe Operation is The Operator’s Responsibility.....	13
Safe Operation Needs A Qualified Operator.....	13
Use Safety Rules.....	14
Safety Rules For Power Take-Off (PTO) Driven Equipment.....	14
Machine Requirements And Capabilities.....	15
Transport Safety.....	15
FIRE PREVENTION.....	16
Maintenance.....	16
Operation.....	16
Fire Extinguishers.....	16
Electrical.....	16
Hydraulic System.....	16
Fueling.....	16
Welding And Grinding.....	16
GAS ENGINE SAFETY.....	17
OPERATING SAFETY ZONE.....	18
Safety Zone Identification.....	18
EQUIPMENT & SAFETY SIGNS (DECALS).....	20
SAFETY SIGN-OFF FORM.....	25


Farm King





SAFETY INSTRUCTIONS

Safe Operation is The Operator's Responsibility

	Safety Alert Symbol
<p>This symbol with a warning statement means: "Warning, be alert! Your safety is involved!" Carefully read the message that follows.</p>	


	CAUTION
<p>The signal word CAUTION on the machine and in the manuals indicates a potentially hazardous situation which, if not avoided, may result in minor or moderate injury. It may also be used to alert against unsafe practices.</p>	

	DANGER
<p>The signal word DANGER on the machine and in the manuals indicates a hazardous situation which, if not avoided, will result in death or serious injury.</p>	

	WARNING
<p>The signal word WARNING on the machine and in the manuals indicates a potentially hazardous situation which, if not avoided, could result in death or serious injury.</p>	

	IMPORTANT
<p>This notice identifies procedures which must be followed to avoid damage to the machine.</p>	

Safe Operation Needs A Qualified Operator

	WARNING
<p>Operators must have instructions before operating the machine. Untrained operators can cause injury or death.</p>	

For an operator to be qualified, he or she must not use drugs or alcohol which impair alertness or coordination while working. An operator who is taking prescription drugs must get medical advice to determine if he or she can safely operate a machine and the equipment.

Understand the written instructions, rules and regulations:

- The written instructions from Farm King include the Warranty Registration, Dealer Inspection Report, Operator And Parts Manual and machine signs (decals).
- Check the rules and regulations at your location. The rules may include an employer's work safety requirements. Regulations may apply to local driving requirements or use of a Slow Moving Vehicle (SMV) emblem. Regulations may identify a hazard such as a utility line.

Have Training with Actual Operation:

- Operator training must consist of a demonstration and verbal instruction. This training is given by the machine owner prior to operation.
- The new operator must start in an area without bystanders and use all the controls until he or she can operate the machine safely under all conditions of the work area.

Know the Work Conditions:

- Clear working area of all bystanders, especially small children and all obstacles that might be hooked or snagged, causing injury or damage.
- Know the location of any overhead or underground power lines. Call local utilities and have all underground power lines marked prior to operation.
- Wear tight fitting clothing. Always wear safety glasses when doing maintenance or service.

Use Safety Rules

- Read and follow instructions in this manual and the tractor's Operators Manual before operating.
- Under no circumstances should young children be allowed to work with this equipment.
- This equipment is dangerous to children and persons unfamiliar with its operation.
- If the elderly are assisting with work, their physical limitations need to be recognized and accommodated.
- Stay clear of overhead power lines when raising or lowering the auger. Electrocutation can occur without direct contact.
- Check for overhead and / or underground lines before operating equipment (if applicable).
- In addition to the design and configuration of equipment, hazard control and accident prevention are dependent upon the awareness, concern, prudence and proper training of personnel involved in the operation, transport, maintenance and storage of equipment.
- Check that the equipment is securely fastened to the tractor / towing vehicle.
- Make sure all the machine controls are in the NEUTRAL position before starting the machine.
- Operate the equipment only from the operator's position.
- Operate the equipment according to the Operator And Parts Manual.
- When learning to operate the equipment, do it at a slow rate in an area clear of bystanders, especially small children.
- DO NOT permit personnel to be in the work area when operating the equipment.
- The equipment must be used ONLY on approved tractors / transport vehicles.
- DO NOT modify the equipment in any way.
- Unauthorized modification may impair the function and / or safety and could affect the life of the equipment.
- DO NOT make any adjustments or repairs on the equipment while the machine is running.
- Keep shields and guards in place. Replace if damaged.

Safety Rules For Power Take-Off (PTO) Driven Equipment

- Keep PTO shields and all guards in place. Replace damaged or missing shields and guards before operating.
- Follow warnings and instructions on machine signs (decals). Replace damaged or missing decals.
- Do not wear loose or bulky clothing around the PTO or other moving parts.
- Keep bystanders away from PTO driven equipment, and never allow children near machines.
- Read and understand the manuals for the PTO driven equipment and be aware of safe operating procedures and hazards that may not be readily apparent.
- Always walk around equipment to avoid coming near a turning PTO driveline. Stepping over, leaning across or crawling under a turning PTO driveline can cause entanglement.
- Position the machine and equipment hitch correctly to prevent driveline stress and separation.
- Use caution when turning. Turning too sharp can cause driveline damage.
- Use caution when raising PTO driven attachment.

Machine Requirements And Capabilities

- Stop the machine and engage the parking brake. Install blocks in front of and behind the rear tires of the machine. Install blocks underneath and support the equipment securely before working under raised equipment.
- Keep bystanders clear of moving parts and the work area. Keep children away.
- Use increased caution on slopes and near banks and ditches to prevent overturn.
- Make certain that the Slow Moving Vehicle (SMV) emblem is installed so that it is visible and legible. When transporting the equipment, use the flashing warning lights (if equipped) and follow all local regulations.
- Operate this equipment with a machine equipped with an approved Roll-Over Protective Structure (ROPS). Always wear seat belt when the ROPS is up. Serious injury or death could result from falling off the machine.
- Before leaving the operator's position:
 1. Always park on a flat level surface.
 2. Place all controls in neutral.
 3. Engage the parking brake.
 4. Stop engine.
 5. Wait for all moving parts to stop.
- Carry passengers only in designated seating areas. Never allow riders on the machine or equipment. Falling off can result in serious injury or death.
- Start the equipment only when properly seated in the operator's seat. Starting a machine in gear can result in serious injury or death.
- Operate the machine and equipment from the operator's position only.
- The parking brake must be engaged before leaving the operator's seat. Rollaway can occur because the transmission may not prevent machine movement.

Transport Safety

- Do not exceed 20 mph (32 kph). Reduce speed on rough roads and surfaces.
- Comply with state and local laws governing highway safety and movement of machinery on public roads.
- The use of flashing amber lights is acceptable in most localities. However, some localities prohibit their use.
- Local laws should be checked for all highway lighting and marking requirements.
- Always install transport locks, pins or brackets before transporting.
- Always yield to oncoming traffic in all situations and move to the side of the road so any following traffic may pass.
- Always enter curves or drive up or down hills at a low speed and at a gradual steering angle.
- Never allow riders on either tractor or equipment.
- Keep tractor / towing vehicle in a lower gear at all times when traveling down steep grades.
- Maintain proper brake settings at all times (if equipped).
- Stay away from overhead power lines when auger is raised. Electrocutation can occur without direct contact.

FIRE PREVENTION



Maintenance

- The machine and some equipment have components that are at high temperatures under normal operating conditions. The primary source of high temperatures is the engine and exhaust system. The electrical system, if damaged or incorrectly maintained, can be a source of arcs or sparks.
- Flammable debris (leaves, straw, etc.) must be removed regularly. If flammable debris is allowed to accumulate, it can cause a fire hazard. Clean often to avoid this accumulation. Flammable debris in the engine compartment is a potential fire hazard.
- All fuels, most lubricants and some coolant mixtures are flammable. Flammable fluids that are leaking or spilled onto hot surfaces or onto electrical components can cause a fire.

Operation

- The Farm King machine must be in good operating condition before use.
- Check all of the items listed on the service schedule under the 8 hour column before operation. (See Maintenance section)
- Do not use the machine where exhaust, arcs, sparks or hot components can contact flammable material, explosive dust or gases.

Fire Extinguishers



- Know where fire extinguishers and first aid kits are located and how to use them. Inspect the fire extinguisher and service the fire extinguisher regularly. Obey the recommendations on the instructions plate.

Electrical



- Check all electrical wiring and connections for damage. Keep the battery terminals clean and tight. Repair or replace any damaged part or wires that are loose or frayed. Battery gas can explode and cause serious injury. Do not jump start or charge a frozen or damaged battery. Keep any open flames or sparks away from batteries. Do not smoke in battery charging area.

Hydraulic System

- Check hydraulic tubes, hoses and fittings for damage and leakage. Never use open flame or bare skin to check for leaks. Hydraulic tubes and hoses must be properly routed and have adequate support and secure clamps. Tighten or replace any parts that show leakage. Always clean fluid spills. Do not use gasoline or diesel fuel for cleaning parts. Use commercial nonflammable solvents.

Fueling



- Stop the engine and let it cool before adding fuel. No smoking! Do not refuel a machine near open flames or sparks. Fill the fuel tank outdoors.

Welding And Grinding


- Always clean the machine and equipment, disconnect the battery, and disconnect the wiring from the machine controls before welding. Cover rubber hoses, battery and all other flammable parts. Keep a fire extinguisher near the machine when welding.
- Have good ventilation when grinding or welding painted parts. Wear dust mask when grinding painted parts. Toxic dust or gas can be produced.
- Dust generated from repairing nonmetallic parts such as hoods, fenders or covers can be flammable or explosive. Repair such components in a well ventilated area away from open flames or sparks.


GAS ENGINE SAFETY


- Before starting engine, read and understand the operating and maintenance instructions that came with your engine.
- DO NOT run engine in an enclosed area. Exhaust gases contain carbon monoxide, an odorless and deadly poison.
- DO NOT place hands or feet near moving or rotating parts.
- DO NOT store, spill, or use gasoline near an open flame, or devices such as a stove, furnace, or water heater which use a pilot light or devices which can create a spark.
- DO NOT refuel indoors where area is not well ventilated. Outdoor refueling is preferred.
- DO NOT refuel while engine is running. Allow engine to cool for 5 minutes before refueling. Store fuel in approved safety containers.
- DO NOT remove fuel tank cap while engine is running.
- DO NOT operate engine if gasoline is spilled. Move machine away from the spill and avoid creating any ignition until gasoline has evaporated.
- DO NOT smoke while filling fuel tank.
- DO NOT choke carburetor to stop engine. Whenever possible, gradually reduce engine speed before stopping.
- DO NOT run engine above rated speeds. This may result in injury.
- DO NOT tamper with governor springs, governor links or other parts which may increase the governed speed.
- DO NOT tamper with the engine speed selected by the original equipment manufacturer.
- DO NOT check for spark with spark plug or spark plug wire removed.
- DO NOT crank engine with spark plug removed. If engine is flooded, crank until engine starts.
- DO NOT strike flywheel with a hard object or metal tool as this may cause flywheel to shatter in operation. Use proper tools to service engine.
- DO NOT operate engine without a muffler. Inspect periodically and replace, if necessary. If engine is equipped with a muffler deflector, inspect periodically and replace, if necessary with correct deflector.
- DO NOT operate engine with an accumulation of grass, leaves, dirt or other combustible materials in the muffler area.
- DO NOT use this engine on any forest covered, brush covered, or grass covered unimproved land unless a spark arrester is installed on the muffler. The arrester must be maintained in effective working order by the operator.
- DO NOT touch hot muffler, cylinder or fins because contact may cause burns.
- DO NOT run engine with air cleaner or air cleaner cover removed.
- Remove the wire from the spark plug when servicing the engine or equipment to prevent accidental starting. Disconnect the negative wire from the battery terminal if equipped with a 12 volt starting system.
- Keep cylinder fins and governor parts free of grass and other debris which can affect engine speed.
- Examine muffler periodically to be sure it is functioning effectively. A worn or leaking muffler should be repaired or replaced as necessary.
- Use fresh gasoline. Stale fuel can gum carburetor and cause leakage.
- Check fuel lines and fittings frequently for cracks or leaks. Replace if necessary.

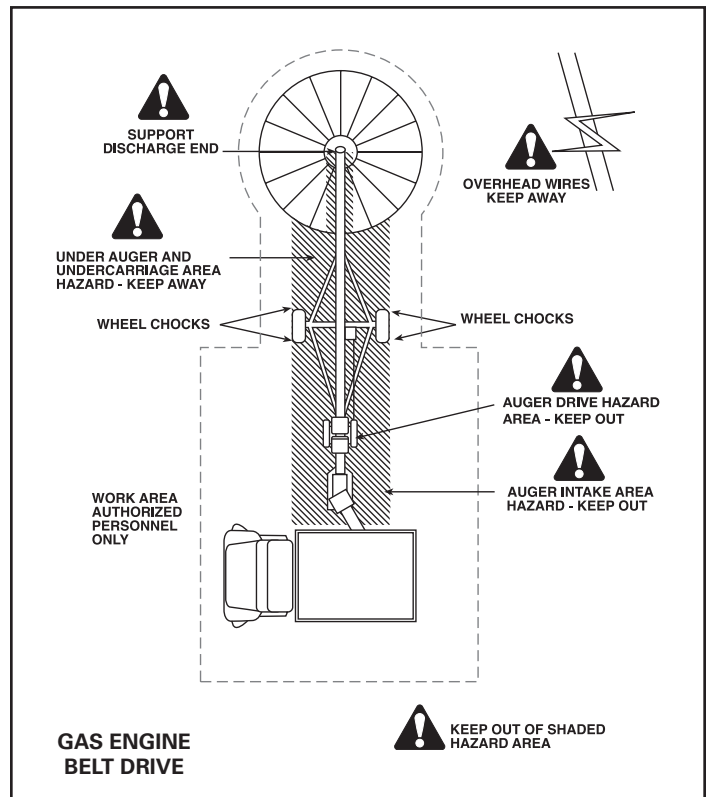
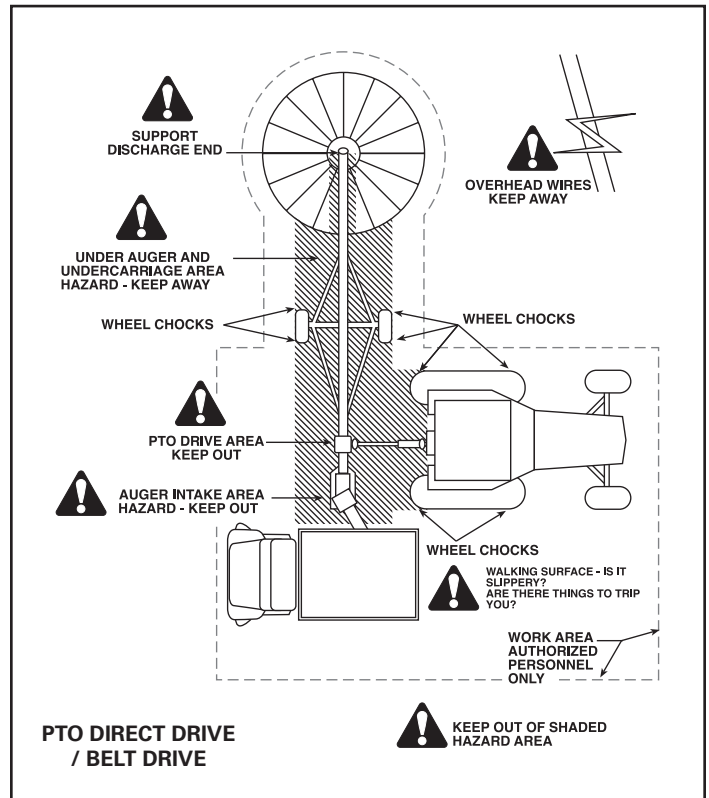
OPERATING SAFETY ZONE

Safety Zone Identification

	WARNING
AVOID INJURY OR DEATH	
<ul style="list-style-type: none"> Do not allow small children, bystanders or unauthorized persons in the work area during operation. Never stand or work under the auger and undercarriage when in the raised position or during operation. Always keep PTO shields and all guards in place during operation. Keep away from moving parts. Keep everyone clear when operating the hopper mover. 	

	DANGER
ELECTROCUTION HAZARD	
<p>Keep away from power lines, electrocution can occur without direct contact.</p>	

	CAUTION
<ul style="list-style-type: none"> Owners and operators should allow only authorized personnel and grain transport vehicles near the auger or inside the work area. Allow adequate space for grain transport vehicles to operate safely. Make certain everyone is clear of the equipment before applying power or moving the machine. While in operation, always support the discharge end or provide adequate anchorage of the intake end to prevent sudden tipping. 	



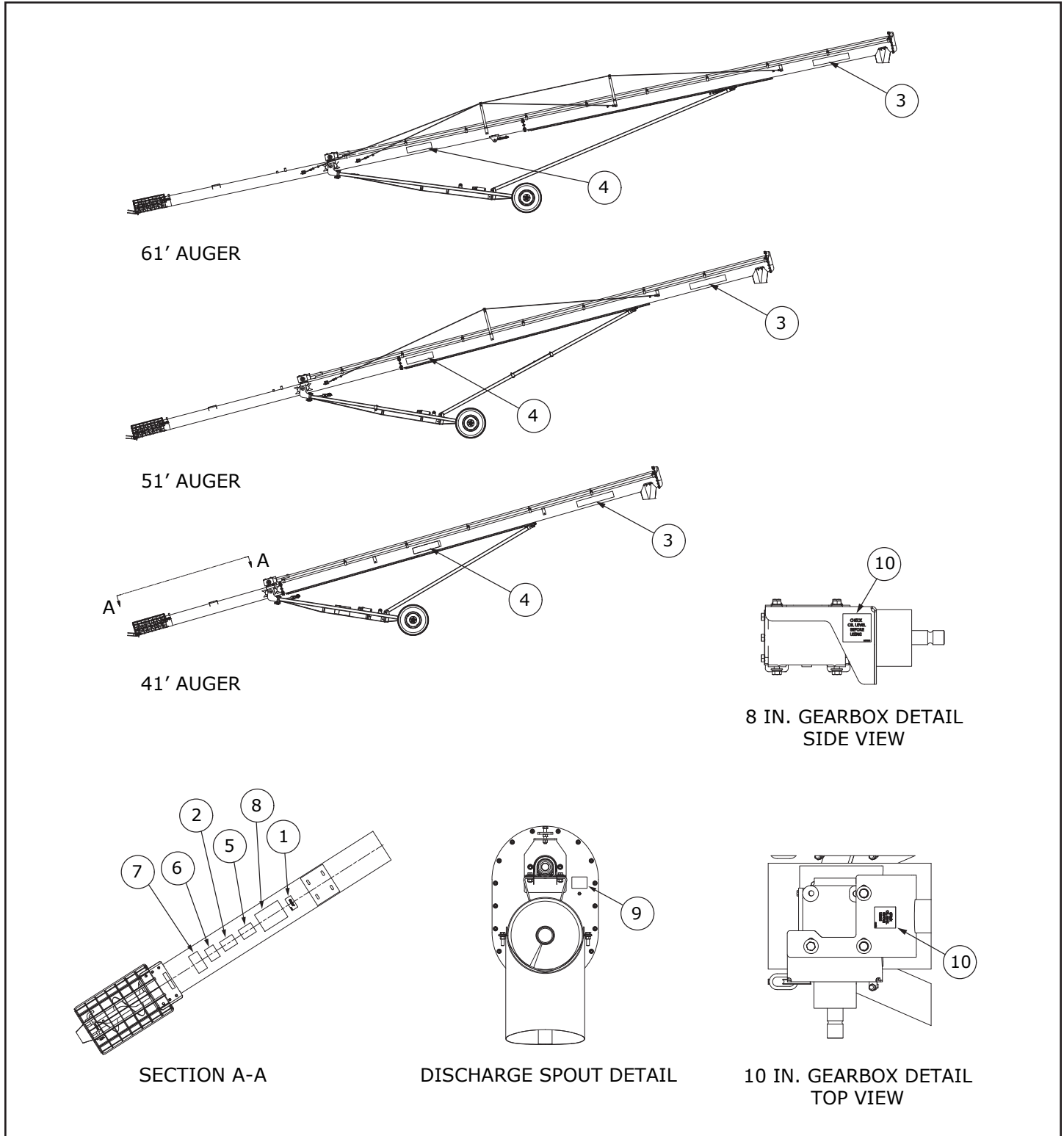
Farm King



EQUIPMENT & SAFETY SIGNS (DECALS)

Follow the instructions on all the signs (decals) that are on the equipment. Replace any damaged signs (decals) and be sure they are in the correct locations. Equipment signs are available from your Farm King equipment dealer.

Figure 3



Decal Identification [Figure 3]

105420 - REFERENCE PLATE (ITEM 1)



930410 - CX1041 (ITEM 4)



930411 - CX1051 (ITEM 4)



909745 - DANGER ELECTROCUTION (ITEM 2)



930412 - CX1061 (ITEM 4)



930414 - FARM KING (ITEM 3)



960569 - DANGER UPENDING (ITEM 5)



930407 - CX841 (ITEM 4)



961015 - IMPORTANT RUN AUGER PARTIALLY (ITEM 6)



930408 - CX851 (ITEM 4)



930409 - CX861 (ITEM 4)

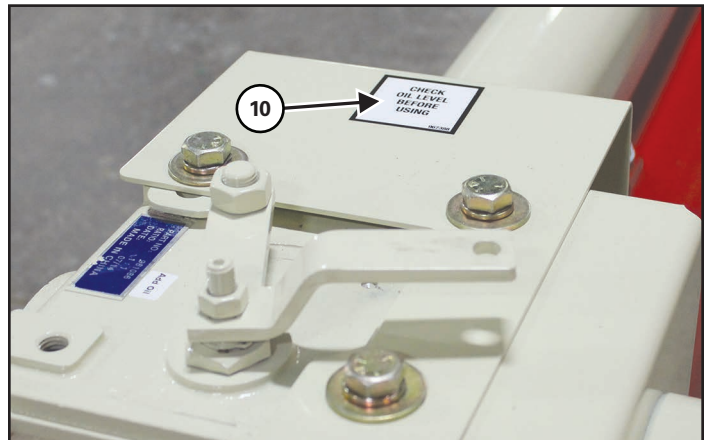


Decal Identification [Figure 3]

961016 - DANGER KEEP HANDS AND FEET (ITEM 7)



967388 - CHECK OIL (ITEM 10)



961017 - CAUTION 14 POINT LIST RULES (ITEM 8)



966699 - GREASE (ITEM 9)

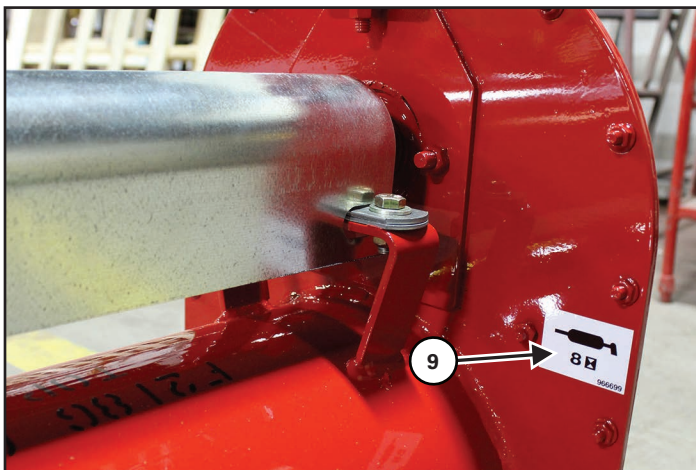
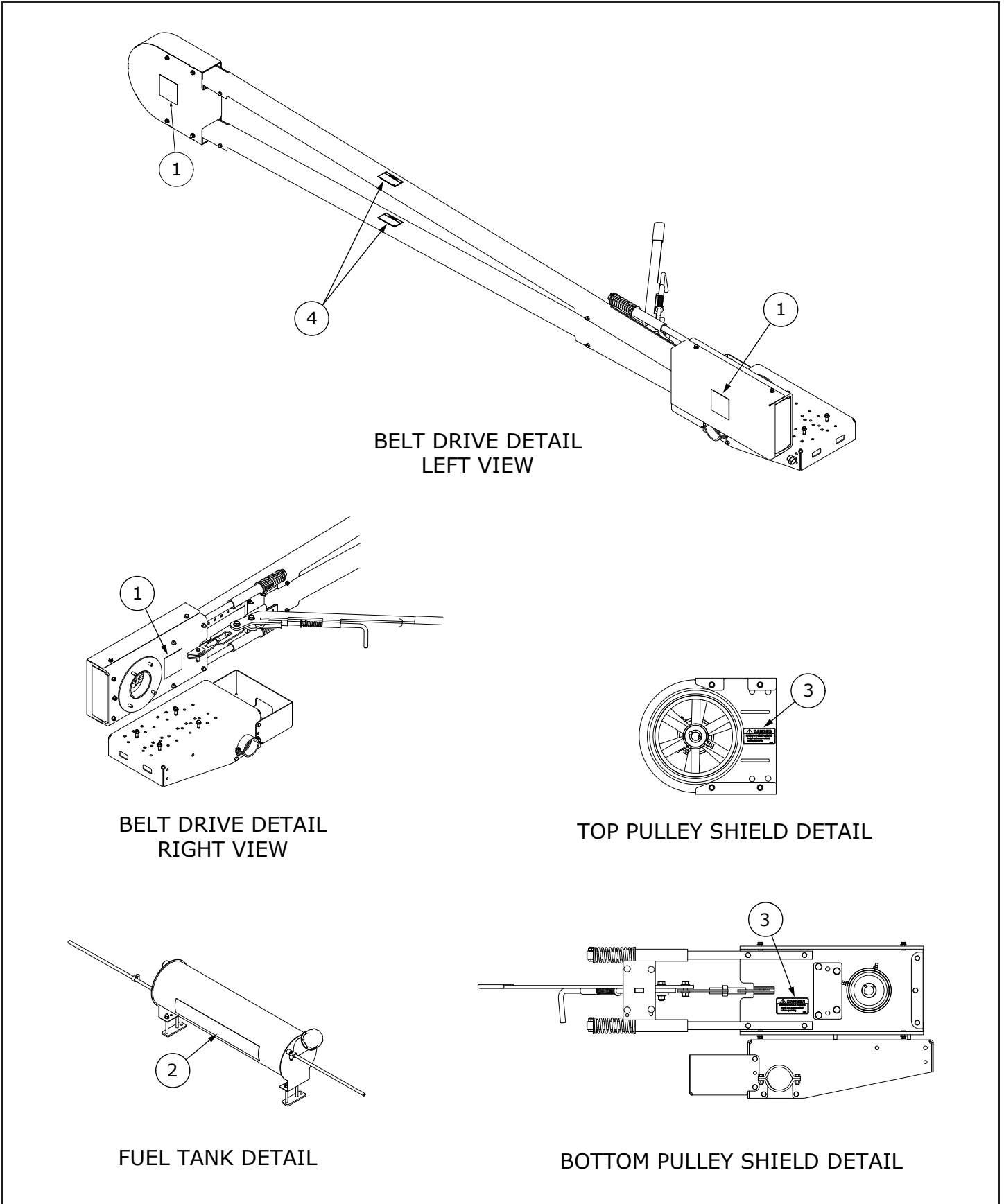


Figure 4



Decal Identification [Figure 4]

909747 - ROTATING HAZARD (ITEM 1)

 WARNING	
	
<p>ROTATING PART HAZARD TO PREVENT SERIOUS INJURY OR DEATH FROM ROTATING PARTS:</p> <ol style="list-style-type: none"> 1. PLACE ALL CONTROLS IN NEUTRAL OR OFF, STOP ENGINE OR MOTOR, REMOVE IGNITION KEY OR DISABLE POWER SOURCE AND WAIT FOR ALL MOVING PARTS TO STOP BEFORE SERVICING, ADJUSTING, REPAIRING OR UNPLUGGING. 2. INSTALL AND SECURE ALL GUARDS BEFORE OPERATING. 3. DO NOT OPERATE WITH ROTATING PARTS EXPOSED. <p style="text-align: right; font-size: small;">909747</p>	


966700 - CAUTION NO RIDERS (ITEM 4)

 CAUTION
<ul style="list-style-type: none"> - DO NOT PERMIT RIDERS. - KEEP SHIELDS IN PLACE. - ENSURE EVERYONE IS CLEAR OF AREA, ESPECIALLY CHILDREN, BEFORE OPERATING. <p style="text-align: right; font-size: small;">966700</p>

910626 - FARM KING 2.875 X 19.45 (ITEM 2)



915861 - MISSING SHIELD HAZARD (ITEM 3)

 DANGER
<p>MISSING SHIELD HAZARD Install and secure shield before operating</p> <p style="text-align: right; font-size: small;">915861</p>

Farm King



ASSEMBLY

GENERAL ASSEMBLY INFORMATION.....	29
Component Unloading And Identification.....	29
TUBE ASSEMBLY.....	30
GEARBOX & DRIVELINE ASSEMBLY.....	33
Belt Drive Models Driveline Assembly.....	33
Direct Drive Models Driveline Assembly.....	34
Gearbox Assembly.....	35
BRIDGING ASSEMBLY & CABLE ROUTING.....	38
51 Ft. Models Bridging & Cable Assembly.....	38
61 Ft. Models Bridging & Cable Assembly.....	40
DISCHARGE SPOUT ASSEMBLY.....	42
UNDERCARRIAGE ASSEMBLY.....	43
WINCH ASSEMBLY & CABLE ROUTING.....	48
Winch Assembly.....	48
41 Ft. & 51 Ft. Models Winch Cable Routing.....	49
61 Ft. Models Winch Cable Routing.....	50
Winch Cable Assembly.....	52
BELT DRIVE WITH ENGINE MOUNT ASSEMBLY.....	53


Farm King



GENERAL ASSEMBLY INFORMATION

Component Unloading And Identification

Unload the crate(s) and components in flat level area of adequate size to assemble the auger.


DANGER

ELECTROCUTION HAZARD

To prevent serious injury or death from electrocution:

- Be aware of overhead power lines.
- Keep away from power lines when unloading and assembling the auger.
- Electrocution can occur without direct contact.


WARNING





DO NOT permit bystanders to be in the work area when unloading and assembling components.

DO NOT work under suspended parts.

Keep away from moving parts.

Always use lifting devices / vehicles, chains or straps of adequate size and strength when unloading and assembling components.


IMPORTANT

Unload crate(s) and auger components carefully, not to cause damage to any of the components.

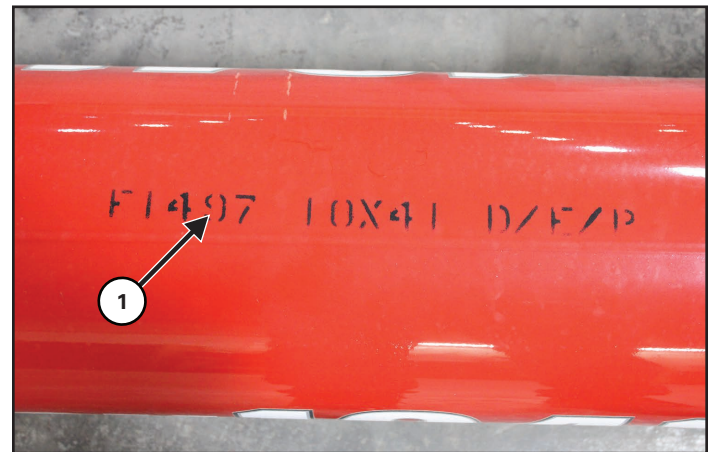
Using the packing list, locate and place all components and hardware in one area. Count the individual components and verify that you have received the correct number of components to fully assemble the auger.

If any components are damaged, missing or replacement parts are required, contact your Farm King Dealer.

Assemble the Auger in the following order:

1. Tube sections and driveline
2. Undercarriage
3. Optional equipment
4. Optional hydraulics

Figure 5



Larger components are marked (Item 1) [Figure 5] for identification.

TUBE ASSEMBLY

Assemble the tube sections on a flat level surface.

	<h2 style="margin: 0;">WARNING</h2>
	
<p>DO NOT permit bystanders to be in the work area when unloading and assembling components.</p> <p>DO NOT work under suspended parts.</p> <p>Keep away from moving parts.</p> <p>Always use lifting devices / vehicles, chains or straps of adequate size and strength when unloading and assembling components.</p>	


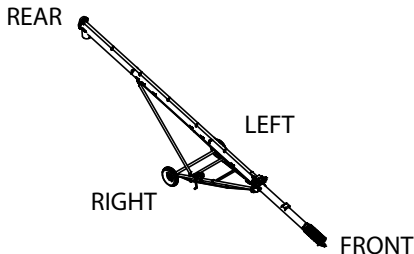
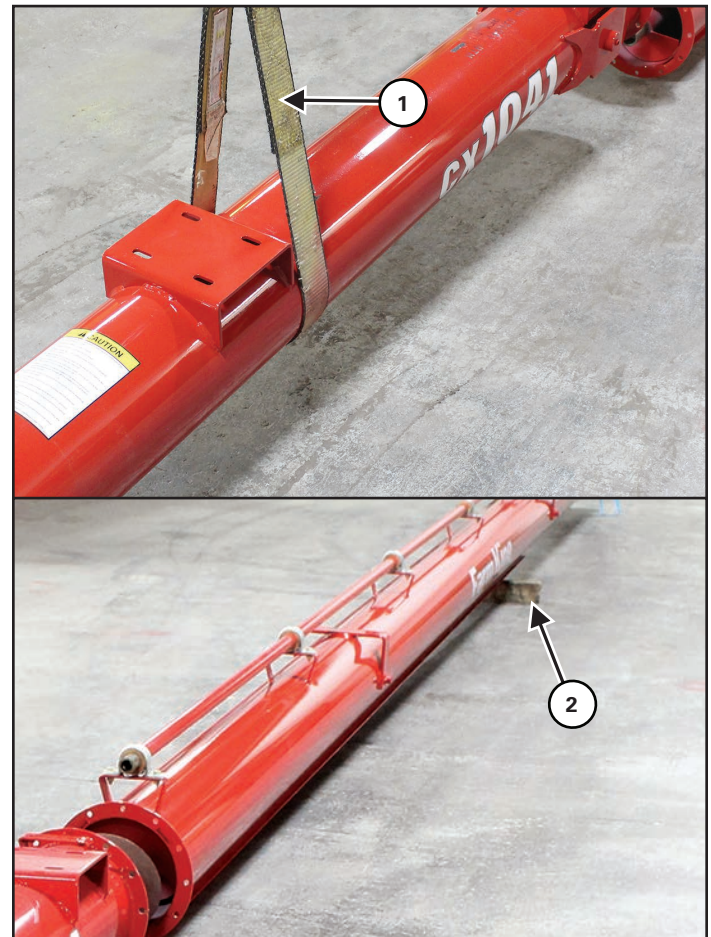
	<h2 style="margin: 0;">IMPORTANT</h2>
	
<p>The directions left, right, front and rear, as mentioned throughout this manual, are as viewed as the operator sitting in the tractor's seat with the equipment hitched to the tractor.</p>	

Figure 6

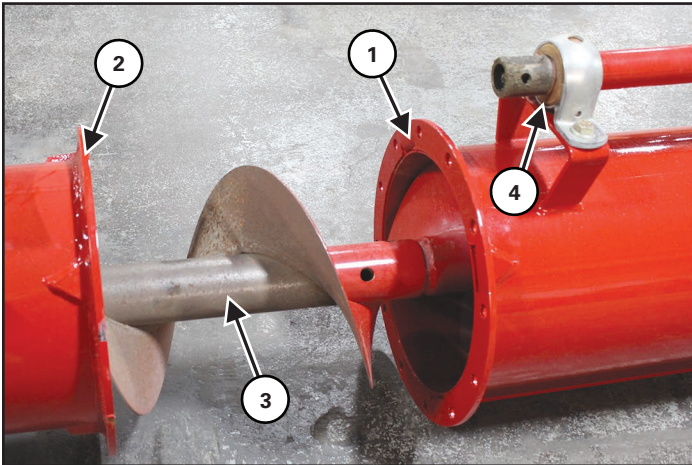


Raise and move the tube sections to the assembly area using an approved lifting device (Item 1) [Figure 6].

Place a block (Item 2) under the end of the discharge tube [Figure 6].

	<h2 style="margin: 0;">WARNING</h2>
	
<p>AVOID INJURY OR DEATH</p> <p>Keep fingers and hands out of pinch points when assembling the equipment.</p>	

Figure 7

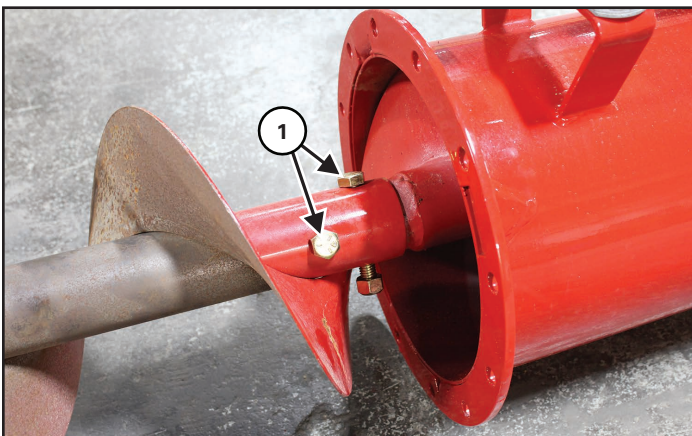


Align the mounting flanges of the top (Item 1) and bottom tubes (Item 2) [Figure 7].

Slide the flighting (Item 3) from the bottom tube forward onto the connecting shaft of the top tube flighting [Figure 7].

41' Models: Remove and discard the wooden bearing (Item 4) located near the mounting flanges [Figure 7].

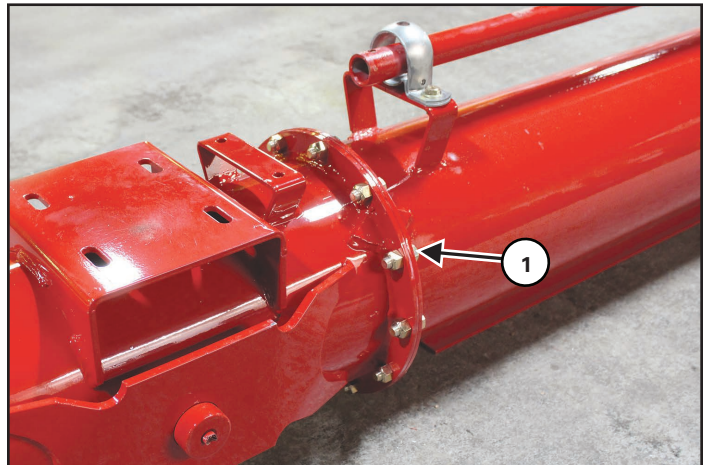
Figure 8



8" Models: Attach the flighting shafts using two 5/16" x 1-3/4" hex bolts and 5/16" lock nuts (Item 1) [Figure 8].

10" Models: Attach the flighting shafts using two 1/2" x 3-1/4" hex bolts and 1/2" lock nuts (Item 1) [Figure 8].

Figure 9

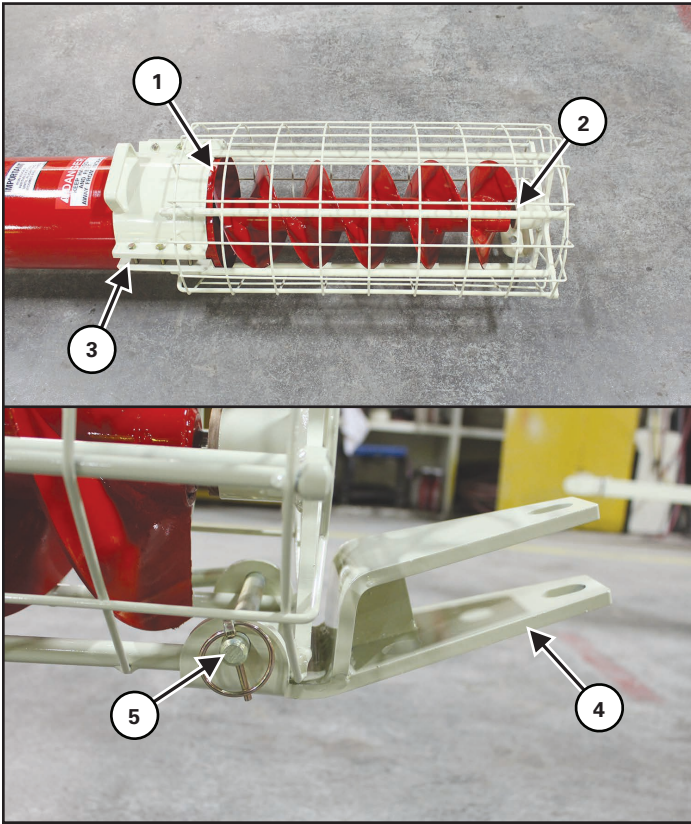


Slide the tubes together until the mounting flanges contact each other.

8" Models: Attach the mounting flanges with twelve 3/8" x 1" hex bolts and 3/8" lock nuts (Item 1) [Figure 9].

10" Models: Attach the mounting flanges with twelve 1/2" x 1-1/4" hex bolts and 1/2" lock nuts (Item 1) [Figure 9].

Figure 10



Slide the intake cage onto the bottom tube.

Position the intake cage mount over the end tab (Item 1) of the bottom tube. Position the flighting shaft inside the wooden bearing (Item 2) [Figure 10].

Attach the intake cage mount using six 3/8" x 2" hex bolts and 3/8" lock nuts (Item 3). Tighten hardware until the mounting brackets make contact [Figure 10].

Place the hitch weldment (Item 4) under the intake cage. Secure with a clevis pin and lynch pin (Item 5) [Figure 10].



WARNING



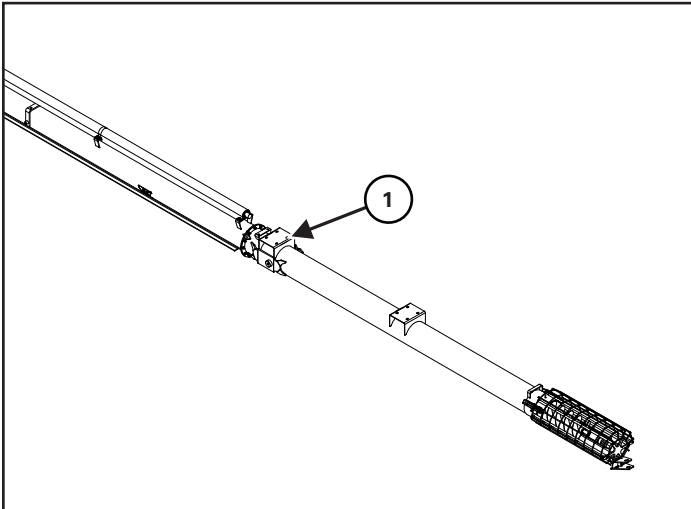
AVOID INJURY OR DEATH

Keep fingers and hands out of pinch points when assembling the equipment.

GEARBOX & DRIVELINE ASSEMBLY

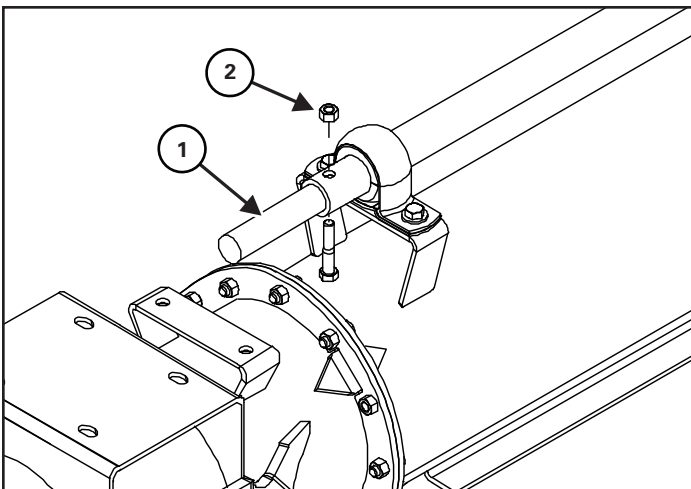
Belt Drive Models Driveline Assembly

Figure 11



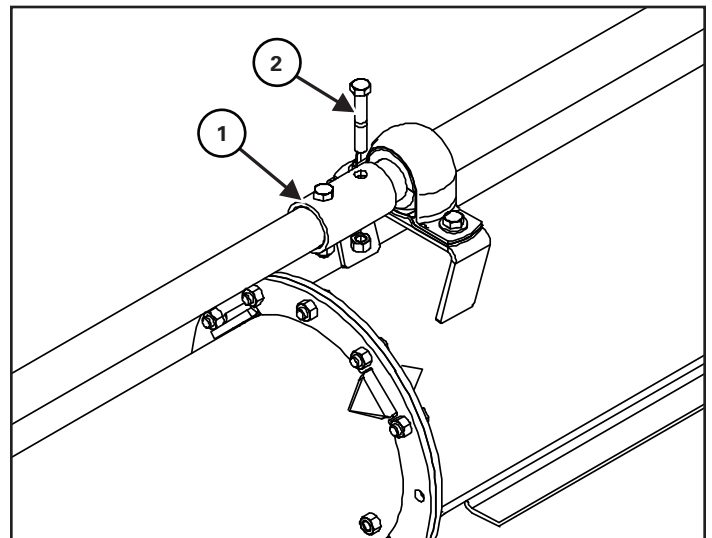
Install the gearbox on the rearward mount (Item 1) on the bottom tube for belt driven models [Figure 11].

Figure 12



841 Models: Install one driveline stub shaft (Item 1) to the end of the driveline. Attach using one 3/8" x 2" hex bolt and 3/8" lock nut (Item 2) [Figure 12].

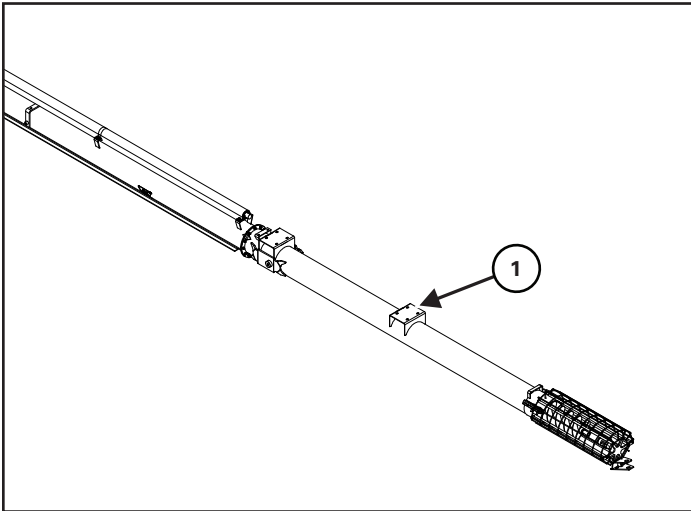
Figure 13



51' & 61' Models: Attach the drivelines from the top and bottom tubes using one driveline coupler (Item 1), two 3/8" x 2-1/4" hex bolts (Item 2), and 3/8" lock nuts [Figure 13].

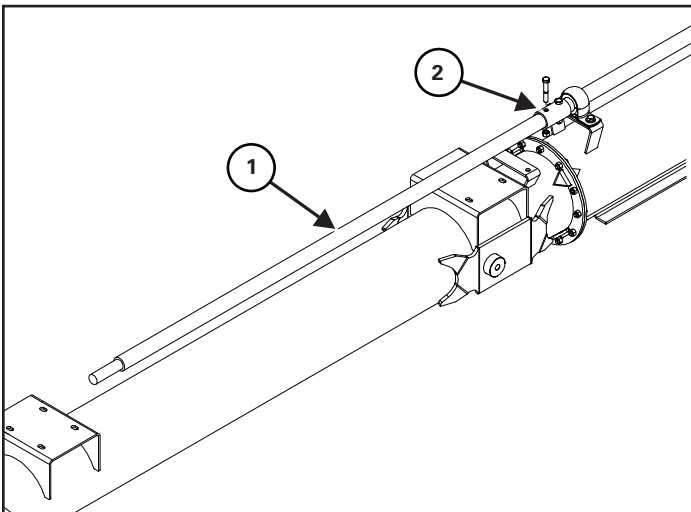
Direct Drive Models Driveline Assembly

Figure 14



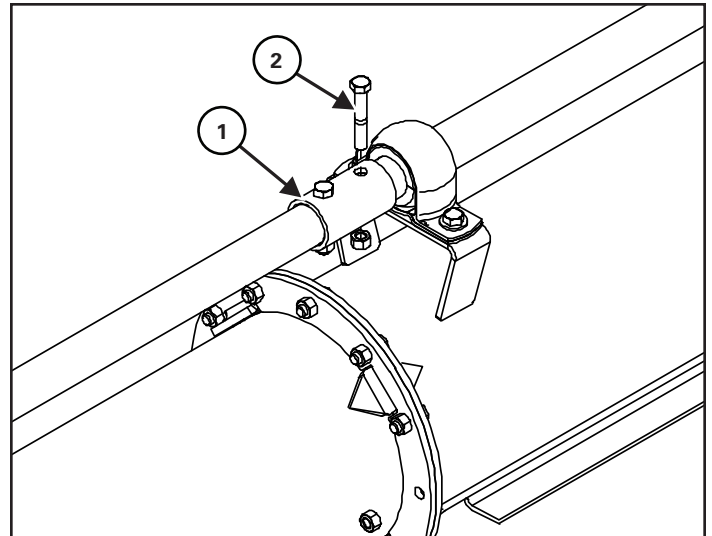
Install the gearbox on the forward mount (Item 1) on the bottom tube for direct drive models [Figure 14].

Figure 15



41' Models: Install one driveline extension shaft (Item 1) to the end of the driveline. Attach using one driveline coupler (Item 2), two 3/8" x 2" hex bolts and two 3/8" lock nuts [Figure 15].

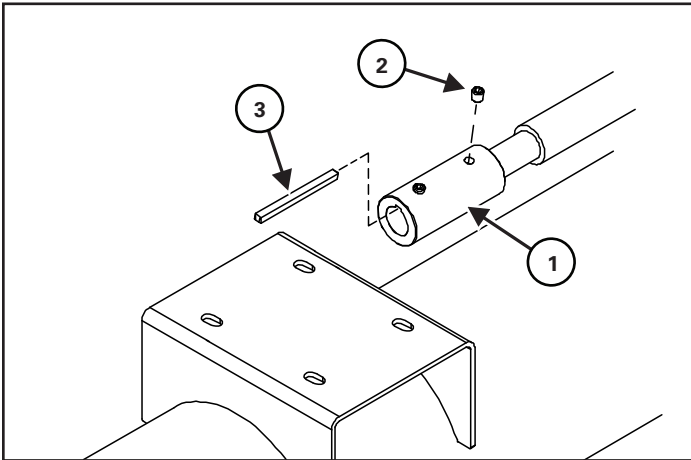
Figure 16



51' & 61' Models: Attach the drivelines from the top and bottom tubes using one driveline coupler (Item 1), two 3/8" x 2-1/4" hex bolts (Item 2), and 3/8" lock nuts [Figure 16].

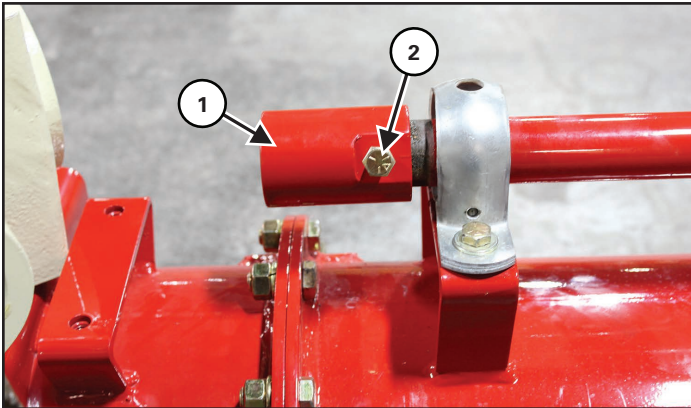
Gearbox Assembly

Figure 19



8" Models: Install the slotted gearbox coupler (Item 1) on the end of the driveline. Attach using one 3/8" x 3/8" set screw (Item 2). Apply thread locker to set screw. Install one 1/4" x 1/4" x 3-1/2" key (Item 3) in the slotted gearbox coupler [Figure 19].

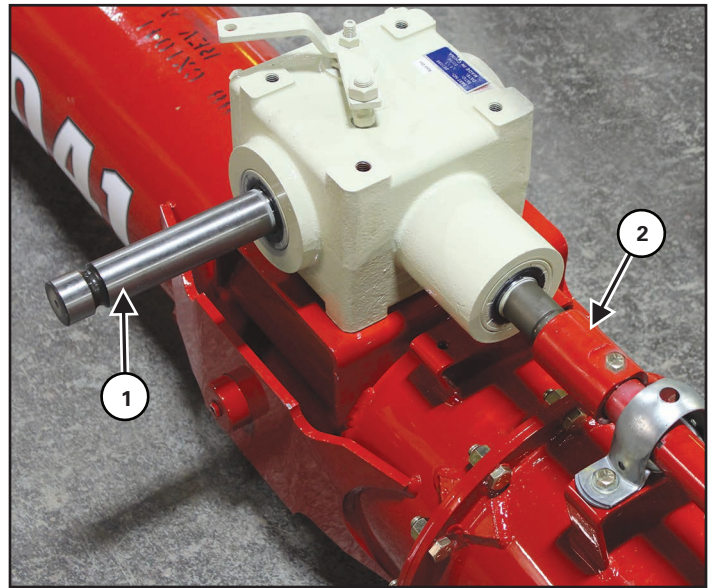
Figure 20



10" Models: Install the splined gearbox coupler (Item 1) on the end of the driveline. Attach using one 3/8" x 2" hex bolt (Item 2). Apply thread locker to hex bolt [Figure 20].

	<h1 style="margin: 0;">IMPORTANT</h1>
<p>Use an all purpose thread locker on all bolts or set screws not attached with a lock nut.</p>	

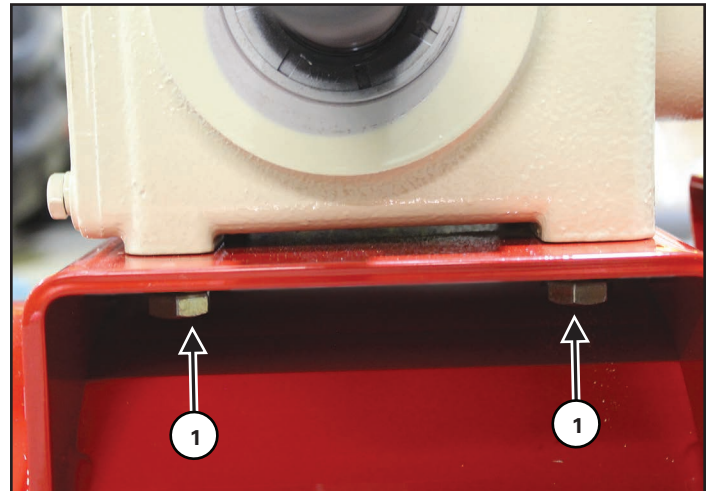
Figure 17



Position the gearbox on the tube mount with the 90 degree shaft (Item 1) facing left [Figure 17].

Slide the gearbox driveshaft into coupler (Item 2) [Figure 17].

Figure 18

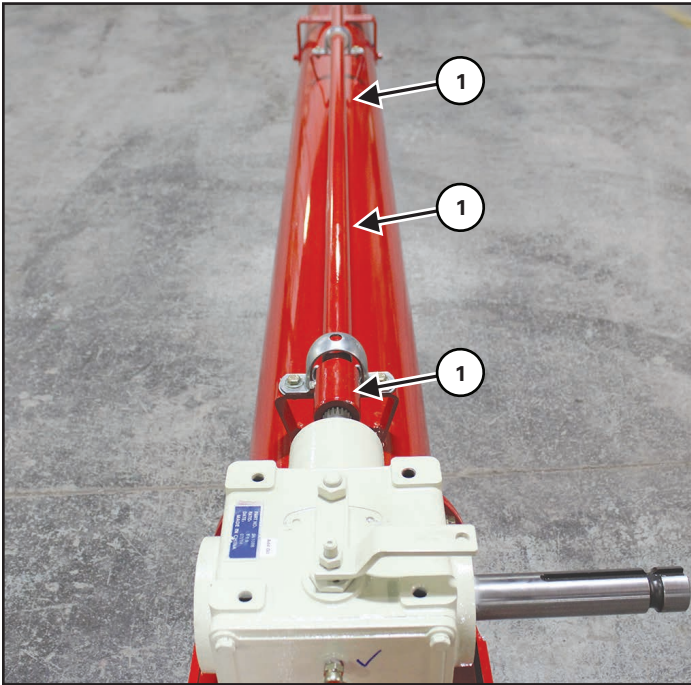


8" Models: Attach the gearbox from beneath the mount using four 3/8" x 3/4" hex bolts (Item 1) [Figure 18].

10" Models: Attach the gearbox from beneath the mount using four 1/2" x 1" hex bolts (Item 1) [Figure 18].

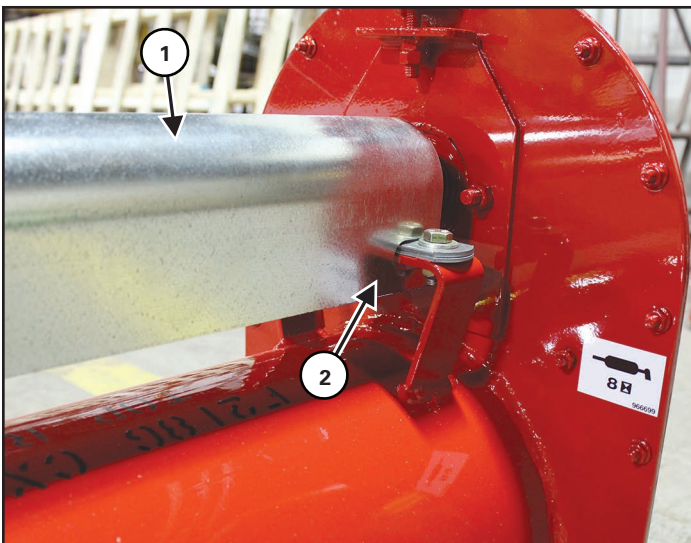
Apply thread locker to hex bolts.

Figure 21



Make sure the driveline (Item 1) is straight along the auger tube. Adjust the gearbox mounting hardware accordingly [Figure 21].

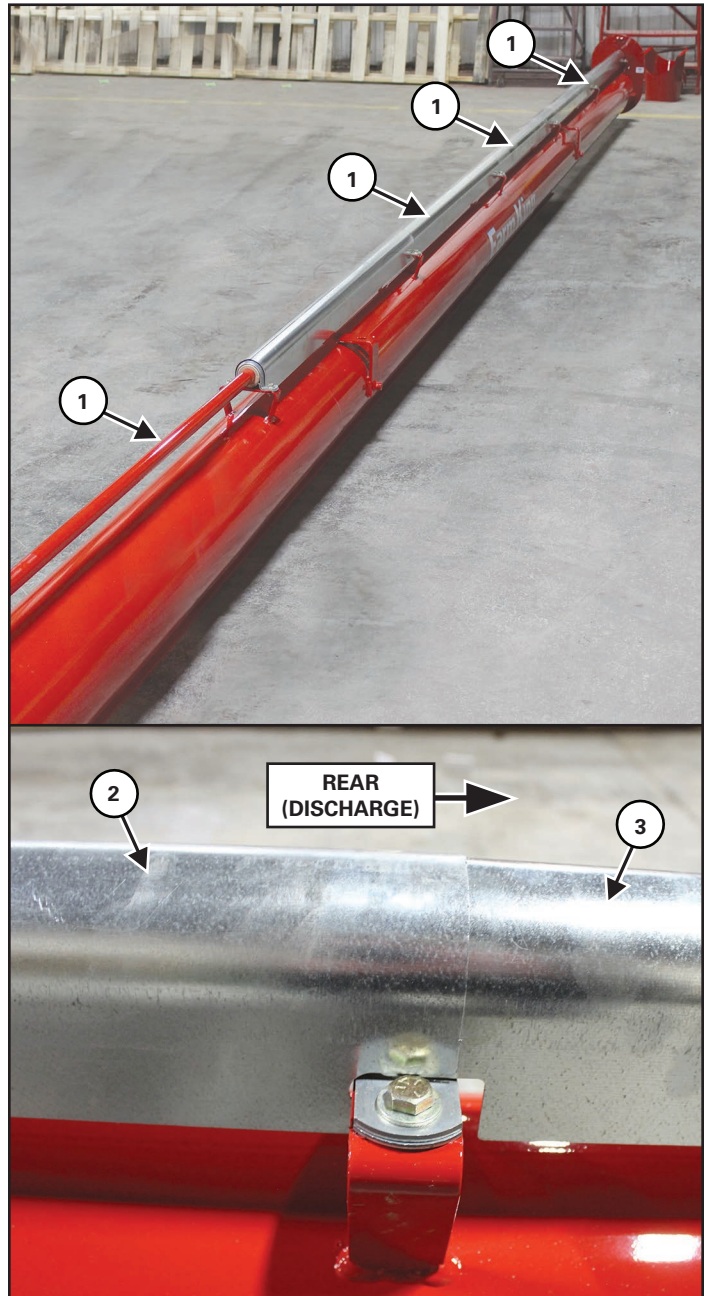
Figure 22



Place one driveline shield section (Item 1) onto the driveline at the discharge end of the top tube [Figure 22].

Make sure the tabbed end (Item 2) of the shield is hooked underneath the bearing mount [Figure 22].

Figure 23



Continue placing driveline shield sections (Item 1) along the driveline [Figure 23].

Each new shield section (Item 2) must cover the previous shield section (Item 3) and be hooked underneath each bearing mount [Figure 23].

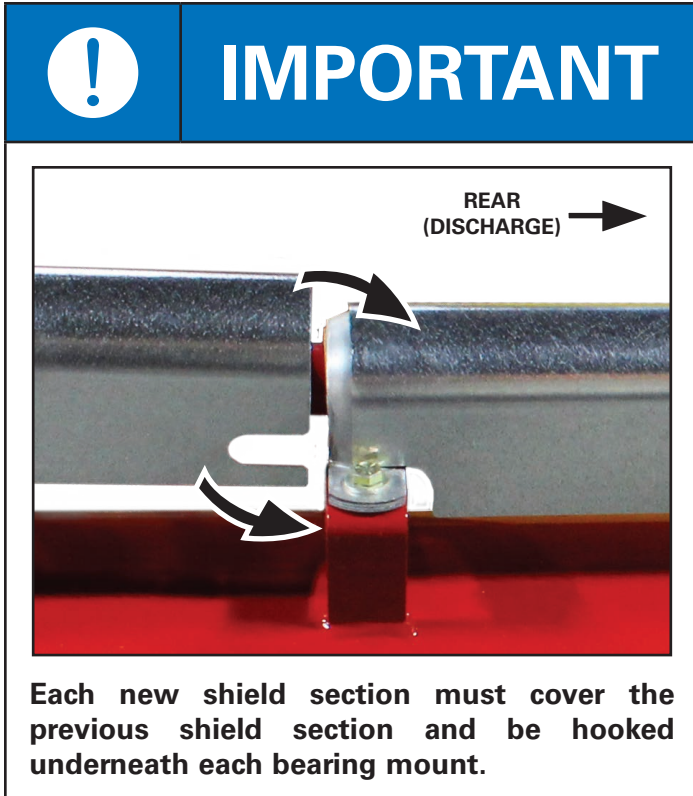
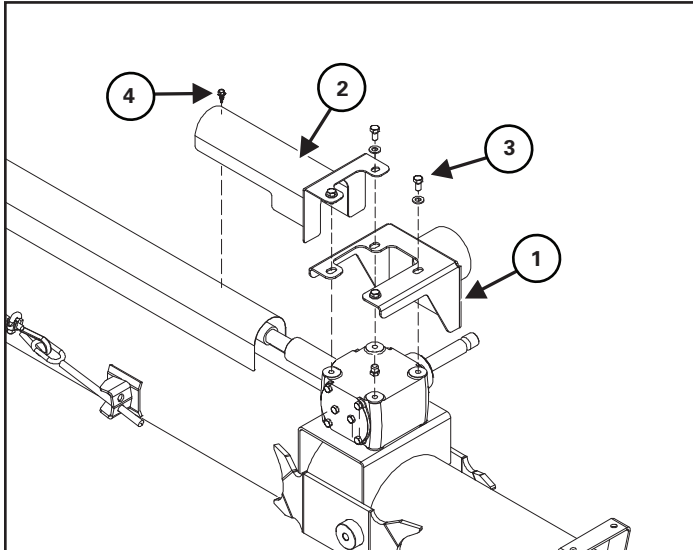
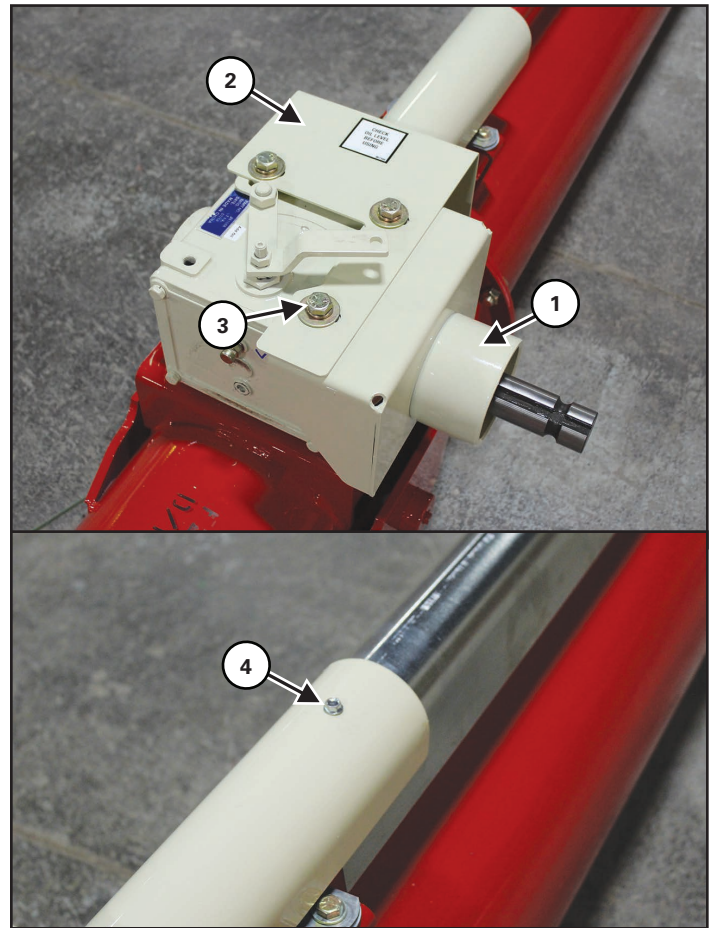


Figure 24



8" Models: Position the gearbox cover (Item 1), then position the driveline cover (Item 2) on top of the gearbox. Attach both brackets using four 3/8" x 3/4" hex bolts and four 3/8" flat washers (Item 3). Attach the driveline cover and driveline shield with one 1/4" x 3/4" self drilling hex screw (Item 4) [Figure 24].

Figure 25

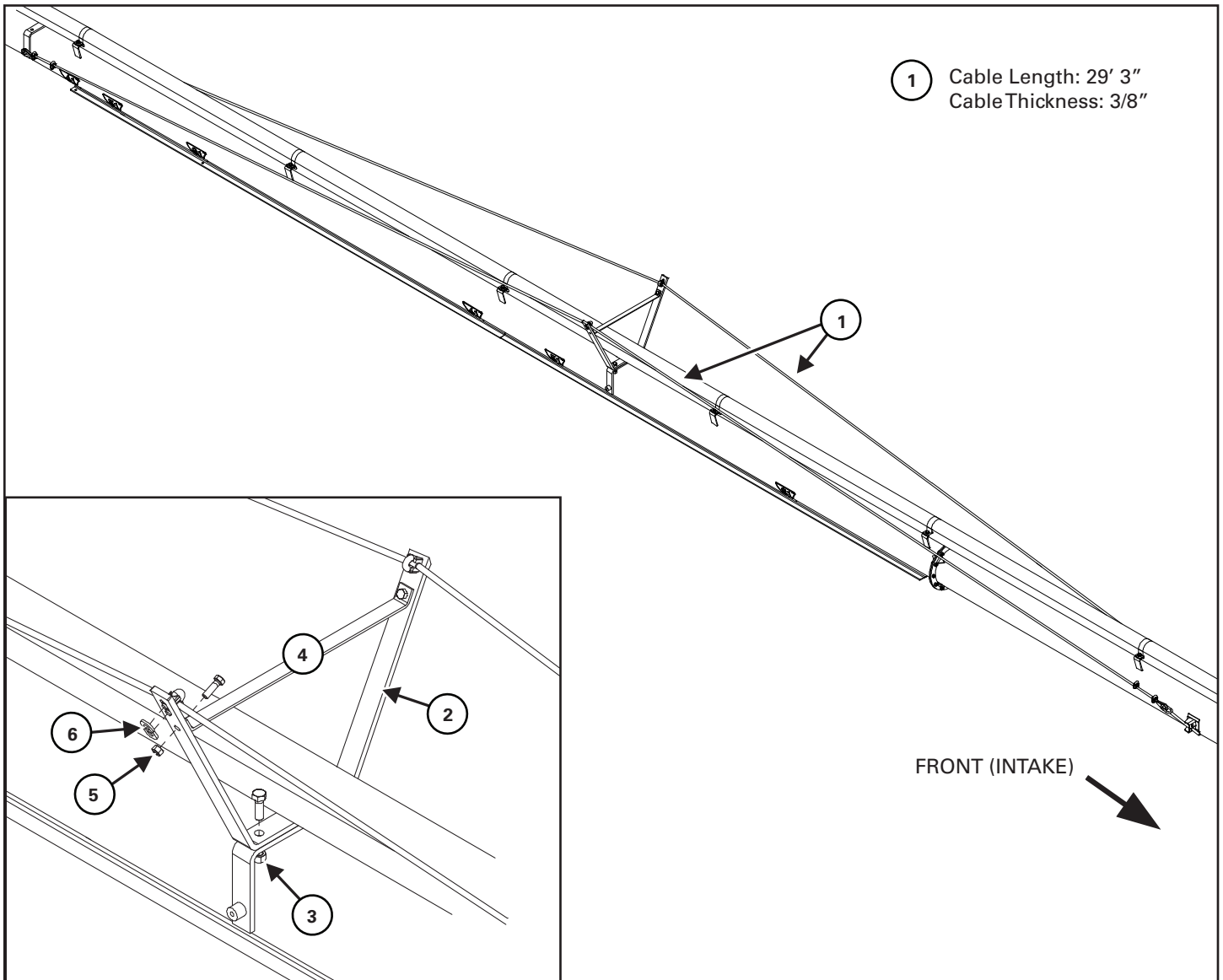


10" Models: Position the gearbox cover (Item 1), then position the driveline cover (Item 2) on top of the gearbox. Attach both brackets using three 1/2" x 1" hex bolts and three 1/2" flat washers (Item 3). Attach the driveline cover and driveline shield with one 1/4" x 3/4" self drilling hex screw (Item 4) [Figure 25].

BRIDGING ASSEMBLY & CABLE ROUTING

51 Ft. Models Bridging & Cable Assembly

Figure 26



Position the bridging yoke (Item 2) on the center mount on the top tube. Attach the yoke using two 1-1/2" x 1-3/4" hex bolts, two 1/2" flat washers, and two 1/2" lock nuts (Item 3) [Figure 26].

Install the yoke brace (Item 4) to the bridging yoke. Attach using two 3/8" x 1-1/4" hex bolts and two 1/2" lock nuts (Item 5) [Figure 26].

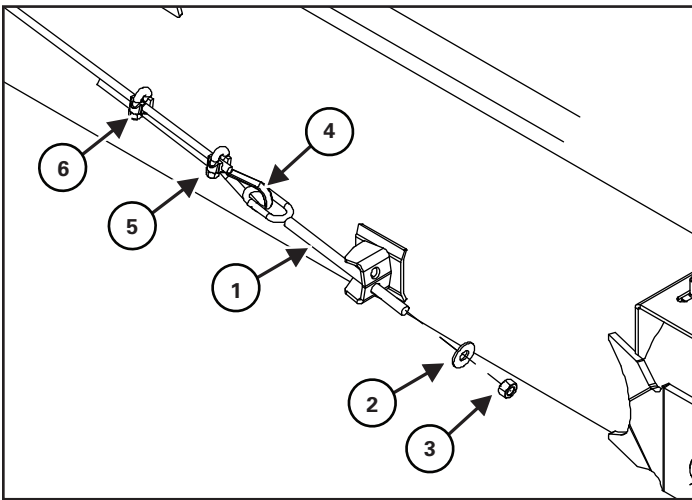
Do not tighten hardware at this time.

Position two cable clamps (Item 6) on the bridging yoke. Thread two 29' 3" cable (Item 1) through the clamps [Figure 26].

Center the entire lengths of the cables in the clamps. Route the ends of each cable toward the ends of the tube.

Do not tighten hardware at this time.

Figure 27



Install one 1/2" eye-bolt (Item 1) into the mounting bracket on the bottom tube. Attach using one 1/2" flat washer (Item 2) and one 1/2" hex nut (Item 3) [Figure 27].

Install one 3/8" thimble (Item 4) onto the eye-bolt [Figure 27].

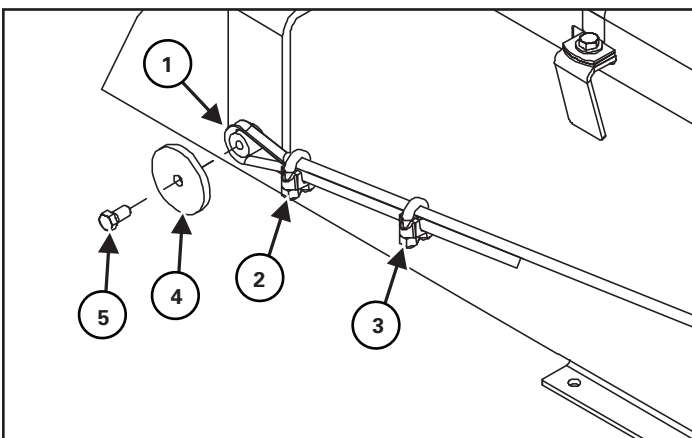
Thread 12" of the 3/8" cable through the thimble and fold back over. Pull cable tight.

Install the two 3/8" cable clamps (Item 5, 6) onto the two cable portions. Slide the first cable clamp (Item 5) as close to the thimble as possible and tighten [Figure 27].

Slide the second cable clamp (Item 6) approximately 2" from the end of the cable and tighten [Figure 27].

Repeat for the cable on the opposite side.

Figure 28



Install one 3/8" thimble (Item 1) onto the mounting stub on the top tube [Figure 28].

Thread 12" of the 3/8" cable through the thimble and fold back over. Pull cable tight.

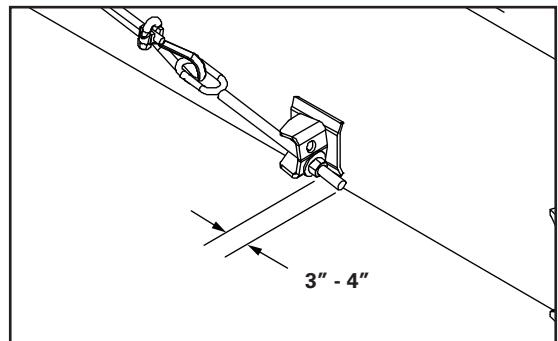
Install the two 3/8" cable clamps (Item 2, 3) onto the two cable portions. Slide the first cable clamp (Item 2) as close to the thimble as possible and tighten [Figure 28].

Slide the second cable clamp (Item 3) approximately 2" from the end of the cable and tighten [Figure 28].

Install one ring clamp (Item 4) and one 3/8" x 3/4" hex bolt (Item 5) to the mounting stub [Figure 28].

Repeat for the cable on the opposite side.

! IMPORTANT



Tighten each of the eye-bolts on the bottom tube until the threads are exposed 3" to 4" past the bracket.

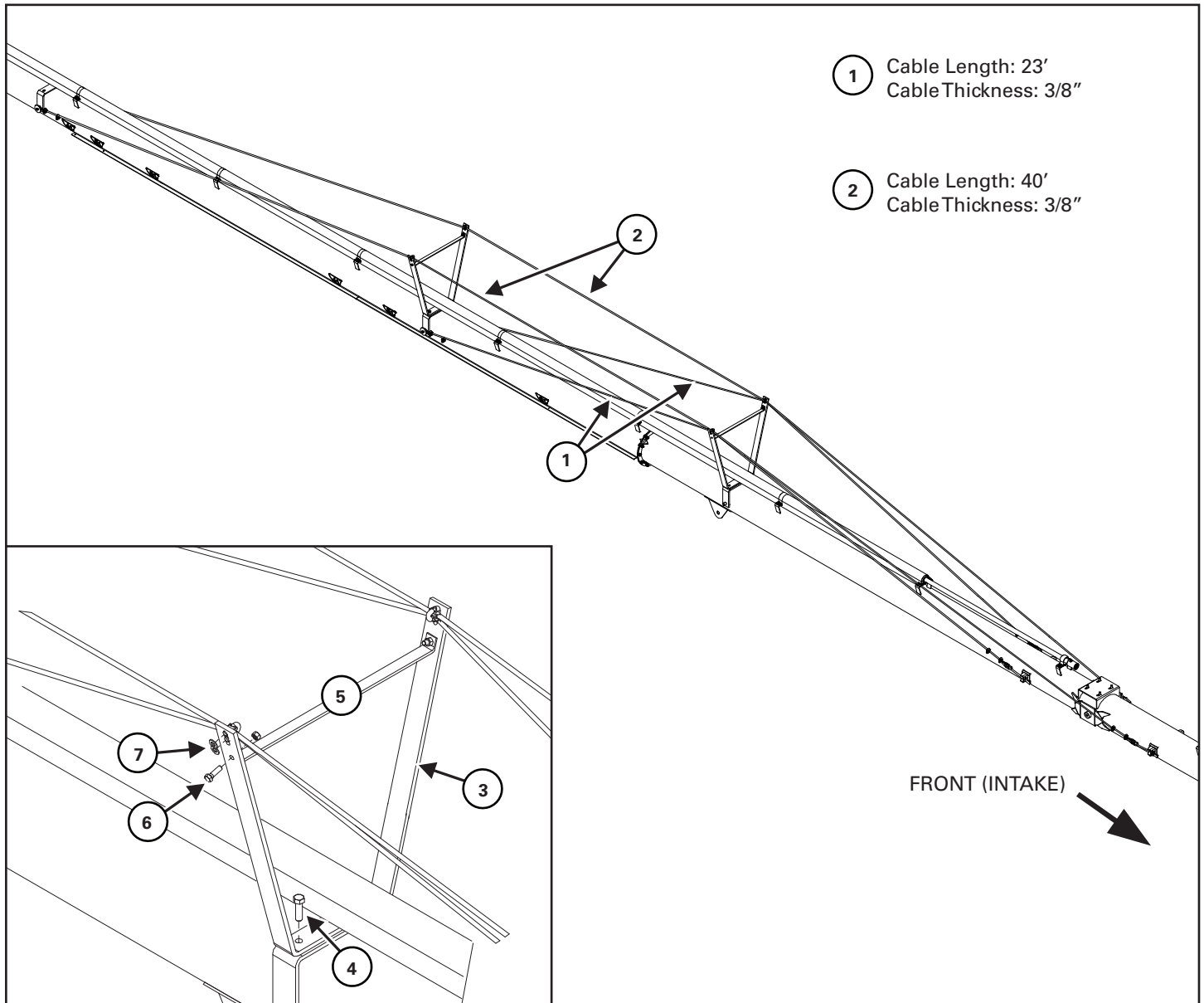
Stand behind the intake and look down the full length of the tube assembly to verify the tube is straight.

Adjust the cables to straighten the tube (left to right) as needed.

With the tube assembly straight and slightly bowed up, tighten all the cable clamps and bridging hardware.

61 Ft. Models Bridging & Cable Assembly

Figure 29



Position two bridging yokes (Item 3) on the tube mounts. Attach each yoke using two 1-1/2" x 1-3/4" hex bolts, two 1/2" flat washers, and two 1/2" lock nuts (Item 4) [Figure 29].

Install one yoke brace (Item 5) to each bridging yoke. Attach using two 3/8" x 1-1/4" hex bolts and two 1/2" lock nuts (Item 6) [Figure 29].

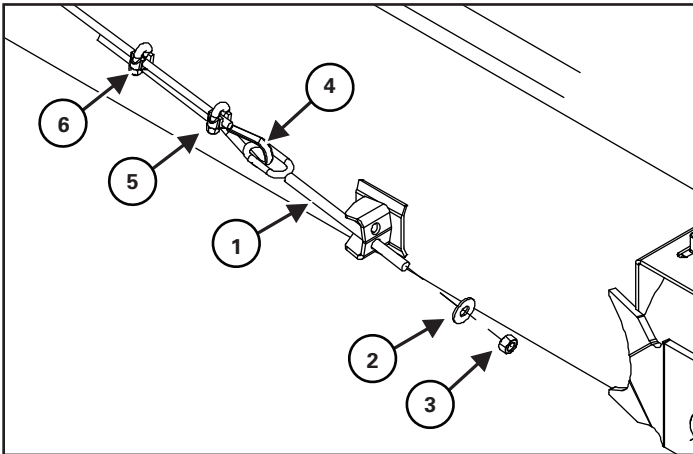
Position two cable clamps (Item 7) on each bridging yoke.

Do not tighten hardware at this time.

Thread two 40' cables (Item 2) through the clamps of both bridging yokes. Center the entire lengths of the cables in the clamps. Route the ends of each cable toward the ends of the tube [Figure 29].

Thread two 23' cables (Item 1) through the bridging yoke on the bottom tube. Center the entire lengths of the cables in the clamps. Route the ends of each cable toward the ends of the tube [Figure 29].

Figure 30



Install one 1/2" eye-bolt (Item 1) into the mounting bracket on the bottom tube. Attach using one 1/2" flat washer (Item 2) and one 1/2" hex nut (Item 3) [Figure 30].

Install one 3/8" thimble (Item 4) onto the eye-bolt [Figure 30].

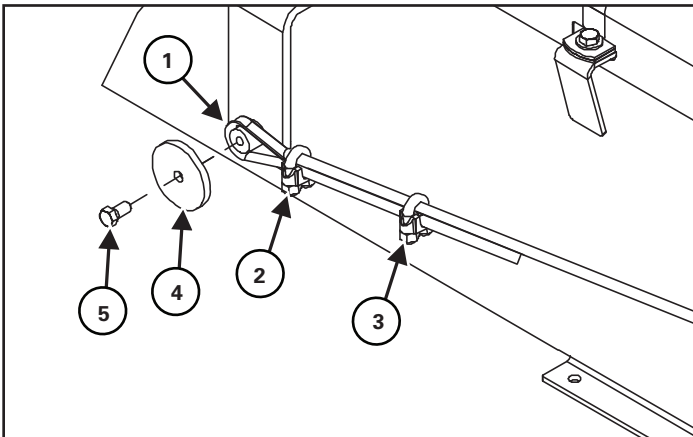
Thread 12" of the 3/8" cable through the thimble and fold back over. Pull cable tight.

Install the two 3/8" cable clamps (Item 5, 6) onto the two cable portions. Slide the first cable clamp (Item 5) as close to the thimble as possible and tighten [Figure 30].

Slide the second cable clamp (Item 6) approximately 2" from the end of the cable and tighten [Figure 30].

Repeat for the other three mounting bracket locations on the bottom tube.

Figure 31



Install one 3/8" thimble (Item 1) onto the mounting stub on the top tube [Figure 28].

Thread 12" of the 3/8" cable through the thimble and fold back over. Pull cable tight.

Install the two 3/8" cable clamps (Item 2, 3) onto the two cable portions. Slide the first cable clamp (Item 2) as close to the thimble as possible and tighten [Figure 28].

Slide the second cable clamp (Item 3) approximately 2" from the end of the cable and tighten [Figure 28].

Install one ring clamp (Item 4) and one 3/8" x 3/4" hex bolt (Item 5) to the mounting stub [Figure 28].

Repeat for the other three mounting stub locations on the top tube.

!

IMPORTANT

Tighten each of the eye-bolts on the bottom tube until the threads are exposed 3" to 4" past the bracket.

Stand behind the intake and look down the full length of the tube assembly to verify the tube is straight.

Adjust the cables to straighten the tube (left to right) as needed.

With the tube assembly straight and slightly bowed up, tighten all the cable clamps and bridging hardware.

DISCHARGE SPOUT ASSEMBLY

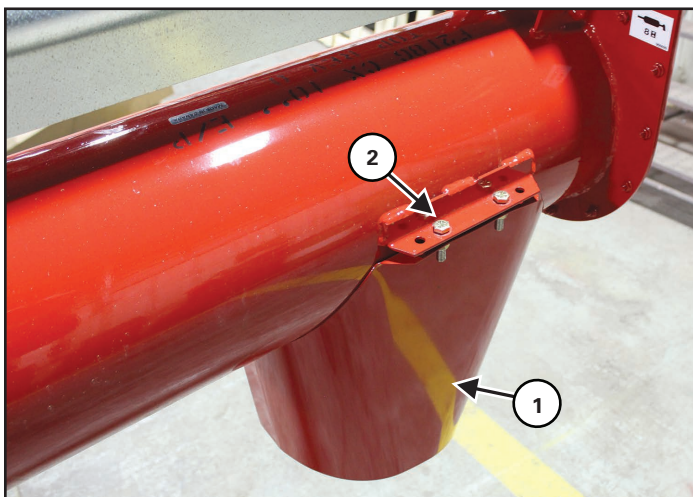
Only 10" augers are equipped with a discharge spout.

Figure 32



Raise the discharge end of the tube assembly using an approved lifting device (Item 1) [Figure 32].

Figure 33

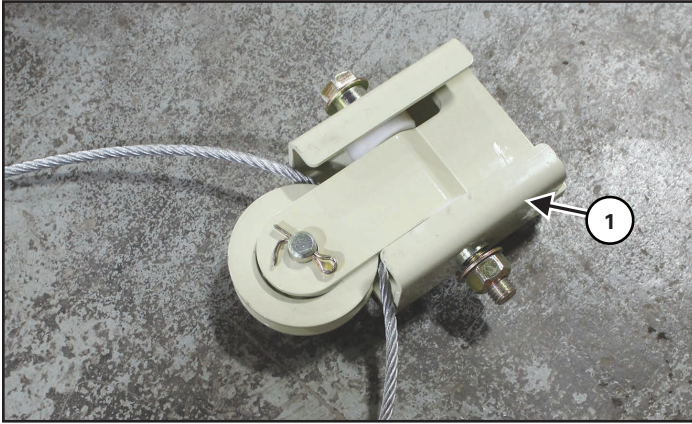


Position the discharge spout (Item 1) on the mounting brackets. Attach using four 3/8" x 1-1/2" hex bolts and four 3/8" lock nuts (Item 2) [Figure 33].

	<h1>WARNING</h1>
<p>DO NOT permit bystanders to be in the work area when unloading and assembling components.</p> <p>DO NOT work under suspended parts.</p> <p>Keep away from moving parts.</p> <p>Always use lifting devices / vehicles, chains or straps of adequate size and strength when unloading and assembling components.</p>	

UNDERCARRIAGE ASSEMBLY

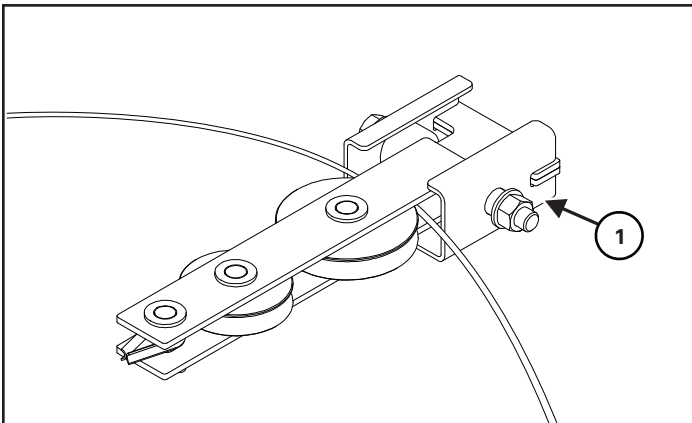
Figure 34



41' & 51' Models: Thread the 5/16" x 58' 3" cable through the track roller (Item 1) [Figure 34].

Center the length of the cable in the track roller.

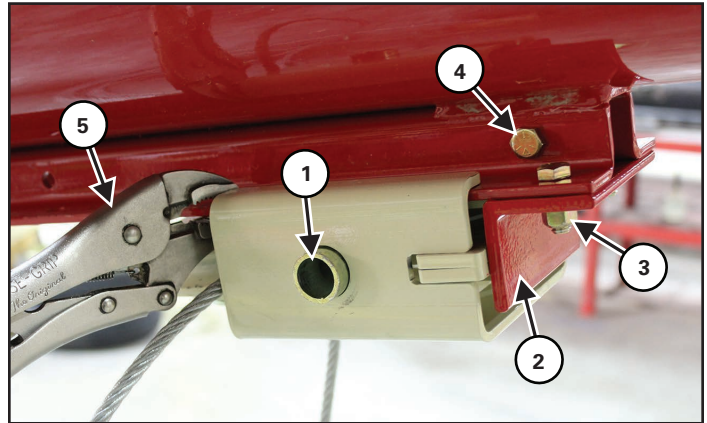
Figure 35



61' Models: Thread the 5/16" x 124' cable through the track roller (Item 1) [Figure 35].

Center the length of the cable in the track roller.

Figure 36



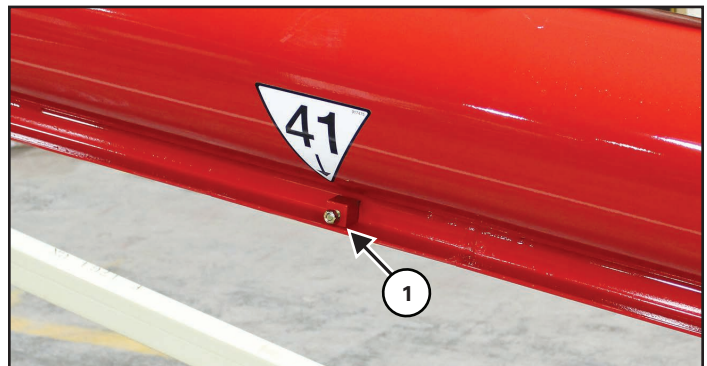
Slide the track roller onto the track at the discharge end.

Remove the 3/4" x 7.5" hex bolt, two 3/4" flat washers, and 3/4" lock nut (Item 1) [Figure 36] from the track roller.

Install the track stop (Item 2) at the end of the track. Attach the stop to the track using two 3/8" x 1" hex bolts, two 3/8" flat washers, and one 3/8" lock nut (Item 3). Attach the stop through the track using one 3/8" x 2-1/4" hex bolt and one 3/8" lock nut (Item 4) [Figure 36].

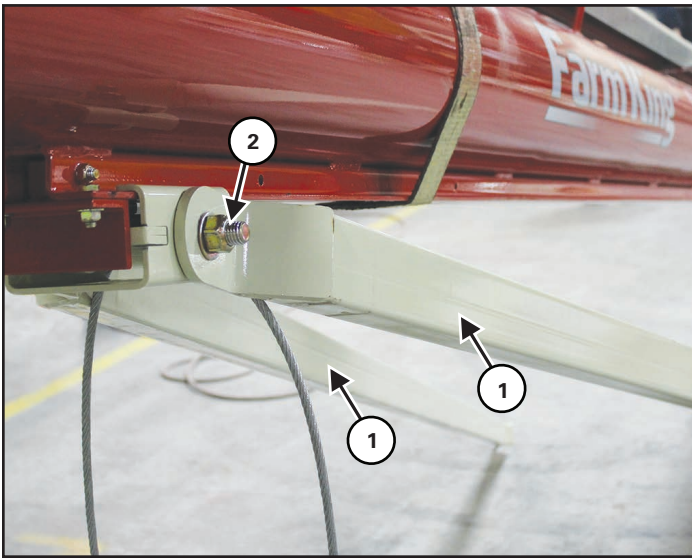
Slide the track roller against the track stop and secure using a clamp or vise grips (Item 5) [Figure 36].

Figure 37



Install the mid-track stop (Item 1) at the location corresponding with the auger model. Attach using one 3/8" x 4-1/2" hex bolt and one 3/8" lock nut [Figure 37].

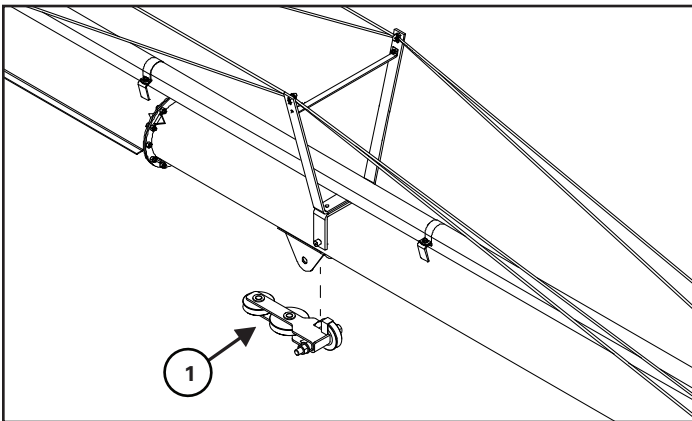
Figure 38



Install the LH and RH lift arms (Item 1) to the track roller. Attach using the 3/4" x 7.5" hex bolt, two 3/4" flat washers, and 3/4" lock nut (Item 2) that were removed previously [Figure 38].

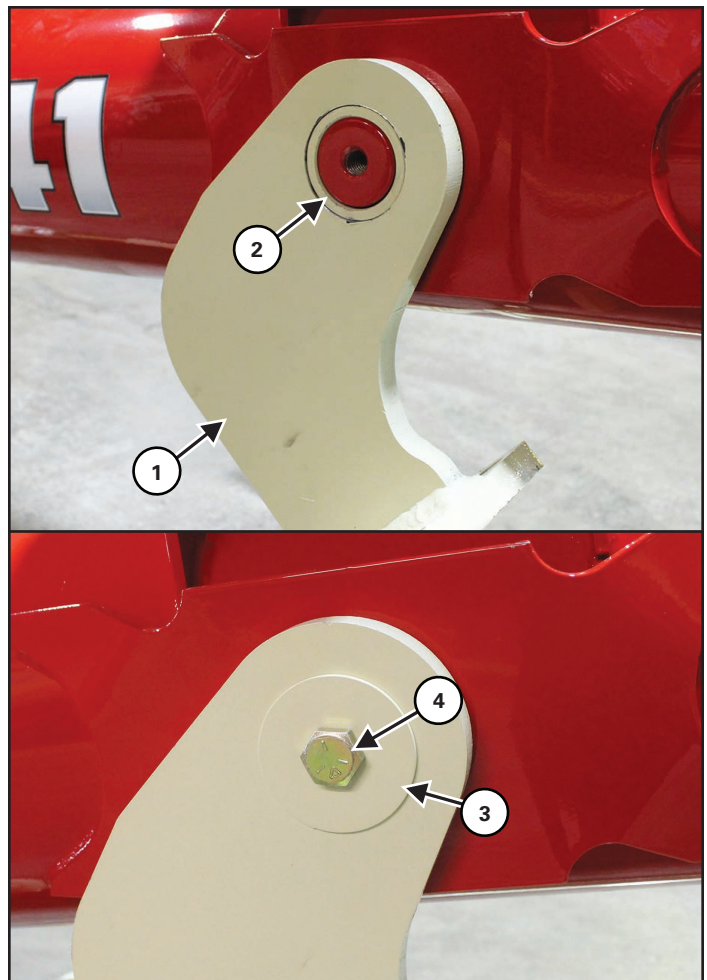
Do not tighten hardware at this time.

Figure 39



61' Models: Position the intermediate track roller (Item 1) on the mount on the bottom tube. Attach using one 3/4" x 7" hex bolt, two 3/4" flat washers (both sides), and one 3/4" lock nut. The pulley section must face the discharge end of the tube [Figure 39].

Figure 40



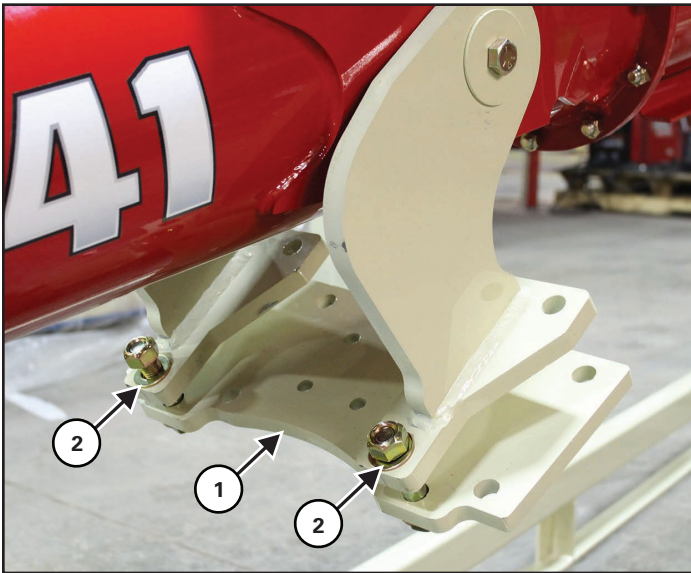
Position the LH pivot bracket (Item 1) and pivot bushing (Item 2) on the bottom tube LH mount stub [Figure 40].

Attach the LH pivot bracket using one spacer (Item 3) and one 5/8" x 1-1/2" hex bolt (Item 4) [Figure 40].

Repeat for the RH pivot bracket.

Do not tighten hardware at this time.

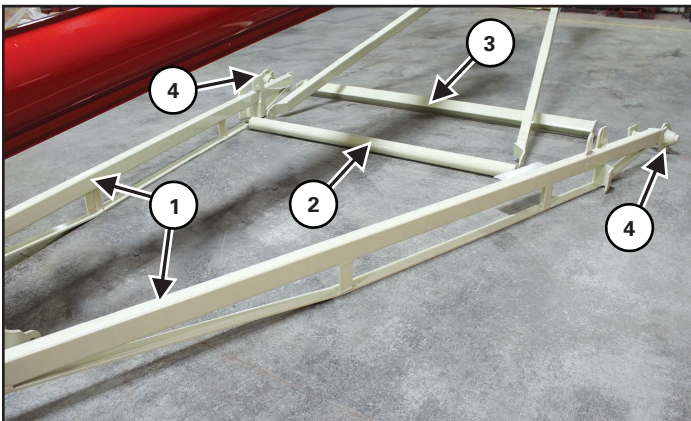
Figure 41



Align the support plate (Item 1) with the pivot brackets. Attach the support plate at the two lower holes using two 3/4" x 3-1/2" hex bolt, four 3/4" flat washers (both sides), and two 3/4" lock nuts (Item 2) [Figure 41].

Do not tighten hardware at this time.

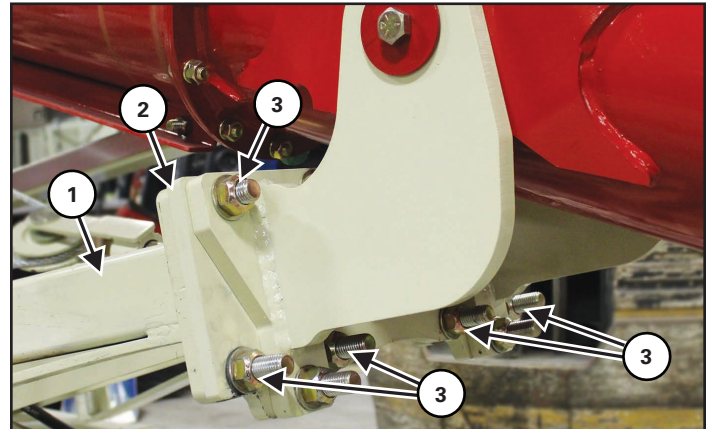
Figure 42



Organize the undercarriage components before installation:

- LH and RH undercarriage weldments (Item 1)
- Cross brace weldment (Item 2)
- Axle weldment (Item 3)
- LH and RH wheel hubs (Item 4) [Figure 42]

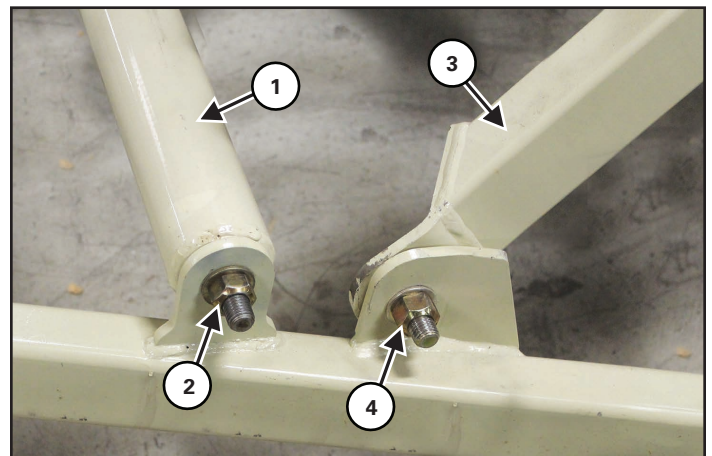
Figure 43



Align the LH and RH undercarriage weldments (Item 1) with the support plate (Item 2) [Figure 43].

Attach the undercarriage weldments, support plate, and pivot brackets using eight 3/4" x 3-1/2" hex bolt, sixteen 3/4" flat washers (both sides), and eight 3/4" lock nuts (Item 3) [Figure 43].

Figure 44

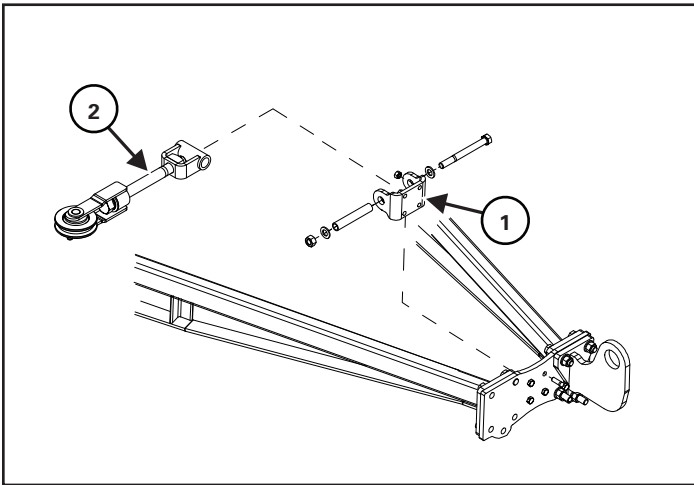


Position the cross brace weldment (Item 1) in the forward undercarriage weldment mount. Attach using one 1" spacer, one 3/4" flat washer, and one 3/4" lock nut (Item 2) [Figure 44].

Position the lift arm (Item 3) in the rear undercarriage weldment mount. Attach using one 3/4" x 2" hex bolt, two 3/4" flat washers (both sides), one spacer, and one 3/4" lock nut (Item 4) [Figure 44].

Repeat procedure for opposite undercarriage mounts. Do not tighten at this time.

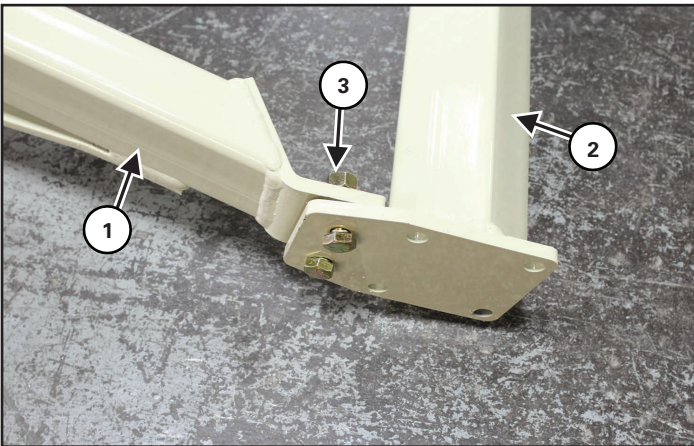
Figure 45



Position the pivot bracket (Item 1) on support plate. Attach using four 1/2" x 2" hex bolts and four 1/2" lock nuts [Figure 45].

Position the pivot pulley (Item 2) on the pivot bracket. Attach using one 3/4" x 7-1/2" hex bolt, two 3/4" flat washers, and one 3/4" lock nut [Figure 45].

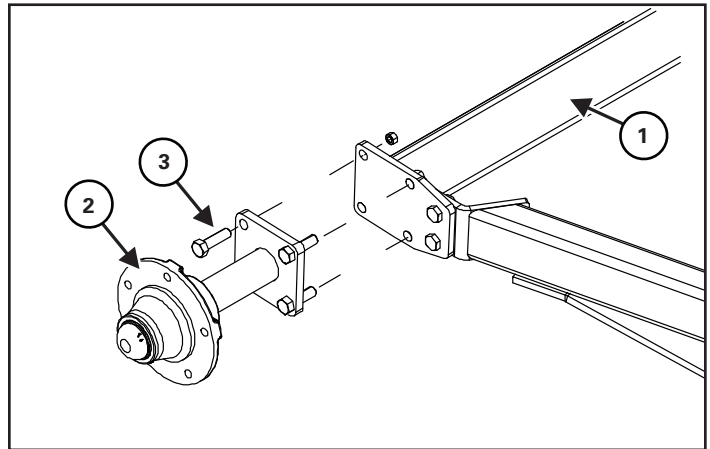
Figure 46



Position the undercarriage weldment (Item 1) with the axle weldment (Item 2). Attach using two 1/2" x 1-3/4" hex bolts and two 1/2" lock nuts (Item 3) [Figure 46].

Repeat procedure for opposite undercarriage mount. Do not tighten at this time.

Figure 47

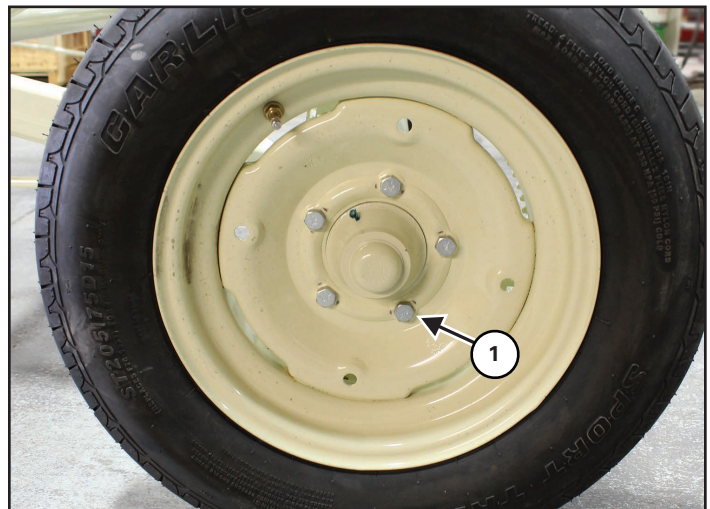


Raise the axle weldment (Item 1) with blocks or an approved lifting device [Figure 47].

Position the 5-bolt hub (Item 2) with the axle weldment. Attach using four 1/2" x 1-3/4" hex bolts and four 1/2" lock nuts (Item 3) [Figure 47].

Repeat procedure for opposite undercarriage mount. Tighten the axle hardware.

Figure 48



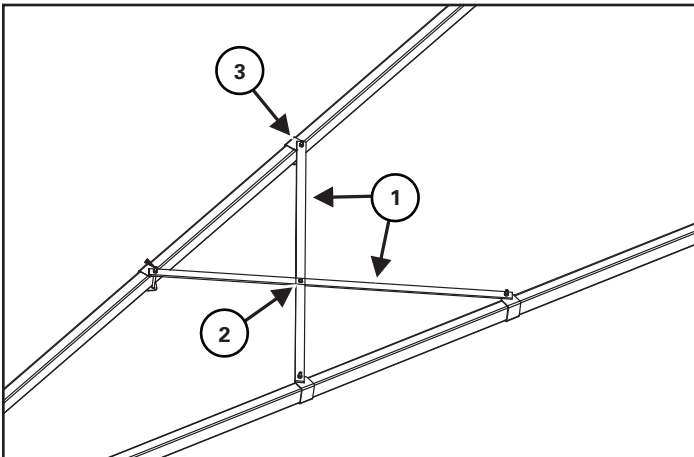
Install the tire / wheel with the valve stem facing out. Attach using five 1/2" x 1-1/4" wheel bolts (Item 1) . Tighten wheel bolts in a criss-cross pattern [Figure 48].

Torque wheel bolts to 72 ft-lbs.

Repeat for opposite hub.

Lower the axle and tires to the ground and remove lifting device.

Figure 49



51' Models: Position two cross braces (Item 1) on the LH and RH lift arms. Attach the center of the cross braces using one 3/8" x 1" hex bolt and one 3/8" lock nut (Item 2). Attach the cross brace mounts using four clamps, four 3/8" x 4-1/2" hex bolts, and four 3/8" lock nuts (Item 3) [Figure 49].

! **IMPORTANT**

Adjust tube assembly as needed until the tube assembly is centered on the undercarriage.

Slightly raise the tube assembly to take the weight off of the undercarriage.

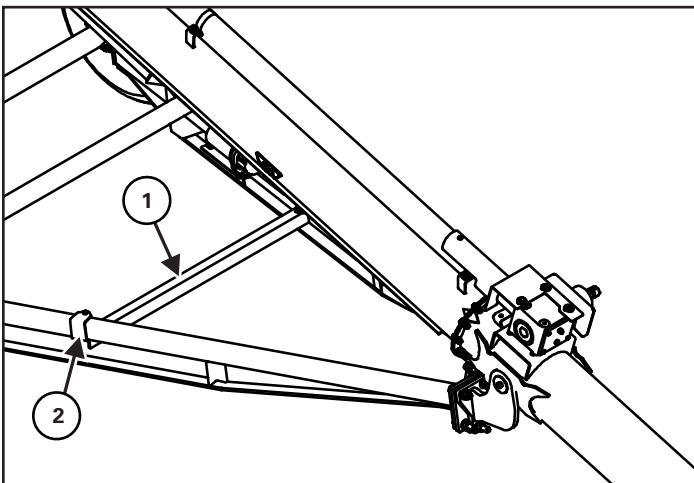
Tighten all remaining undercarriage bolts.

Lower the tube assembly onto the undercarriage and remove the strap from tube assembly.

! **IMPORTANT**

Cross brace hardware threads must face up with bolt heads facing down.

Figure 50

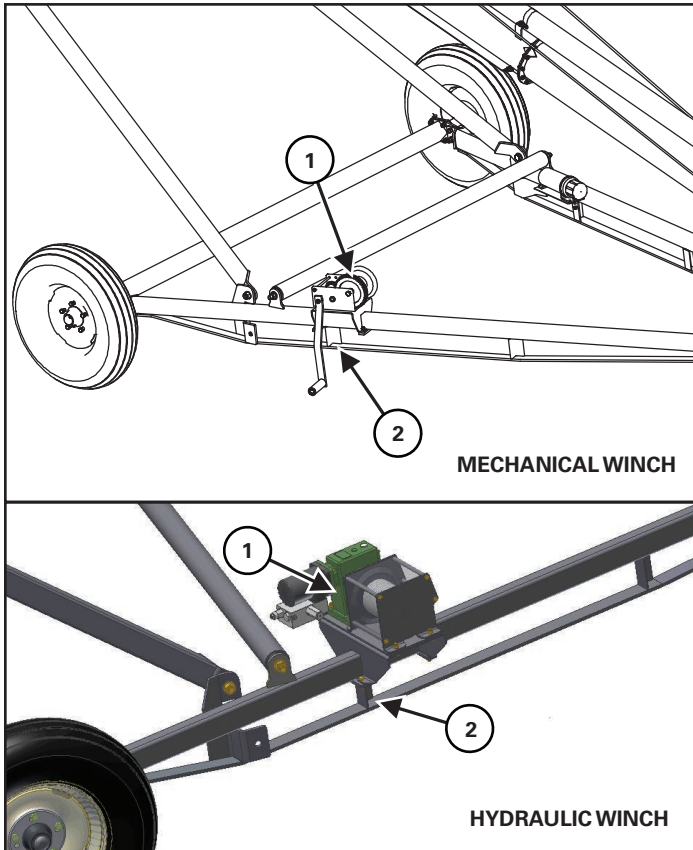


41' & 51' Models: Position the undercarriage brace (Item 1) on the undercarriage weldments. Attach using two clamps, two 3/8" x 4-1/2" hex bolts, and two 3/8" lock nuts (Item 2) [Figure 50].

WINCH ASSEMBLY & CABLE ROUTING

Winch Assembly

Figure 51



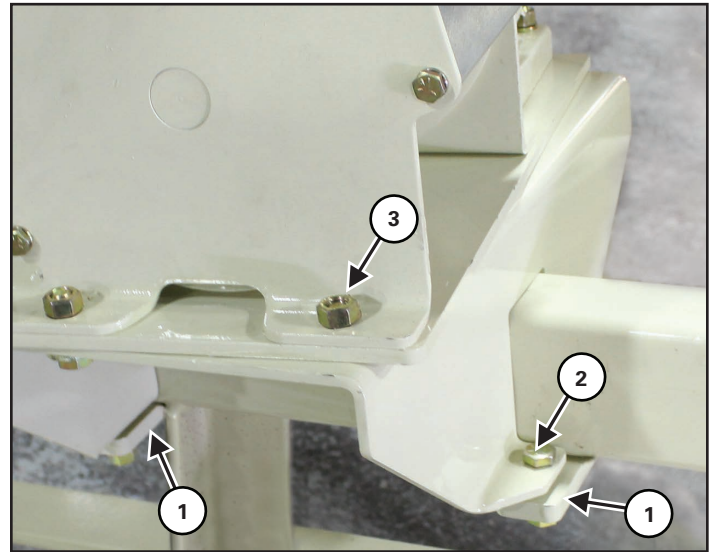
Position the winch assembly (Item 1) on the right undercarriage weldment. The winch mount must be placed up against the rear undercarriage angle support (Item 2) [Figure 51].



IMPORTANT

The winch mount must be placed up against the undercarriage angle support (Item 2) to prevent movement along the arm [Figure 51].

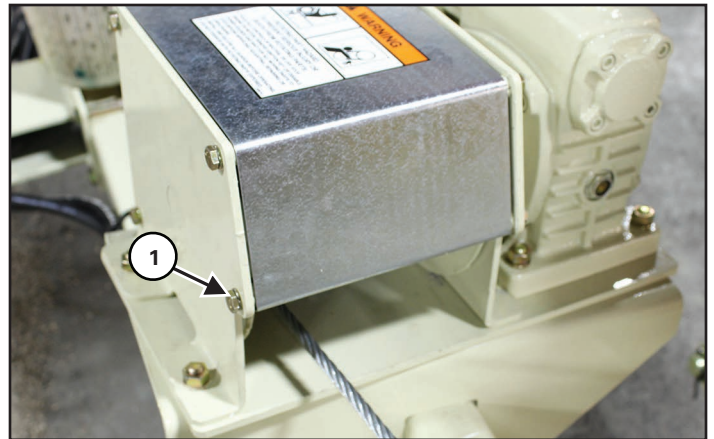
Figure 52



Hydraulic & Mechanical Winches: Install two mounting plates (Item 1) beneath the undercarriage weldment. Attach using four 3/8" x 1-1/4" hex bolts, four 3/8" flat washers, and four 3/8" lock nuts (Item 2) [Figure 52].

Loosen the mounting hardware (Item 3). Angle the mount to face in toward the tube. Tighten the mounting hardware [Figure 52].

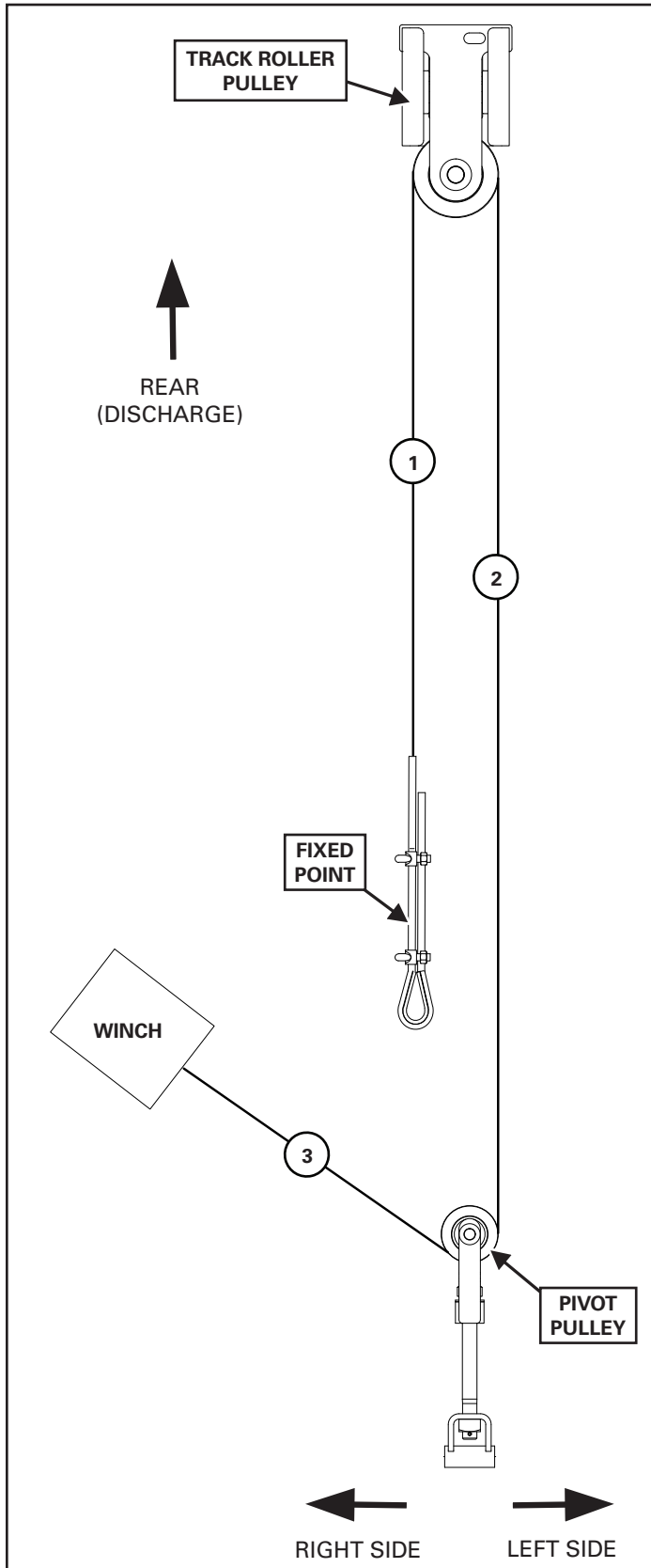
Figure 53



Hydraulic Winches: Remove the front hardware (Item 1) from the cover and set aside. Pull back the cover to expose the winch spool, to prepare for winding the cable [Figure 53].

41 Ft. & 51 Ft. Models Winch Cable Routing

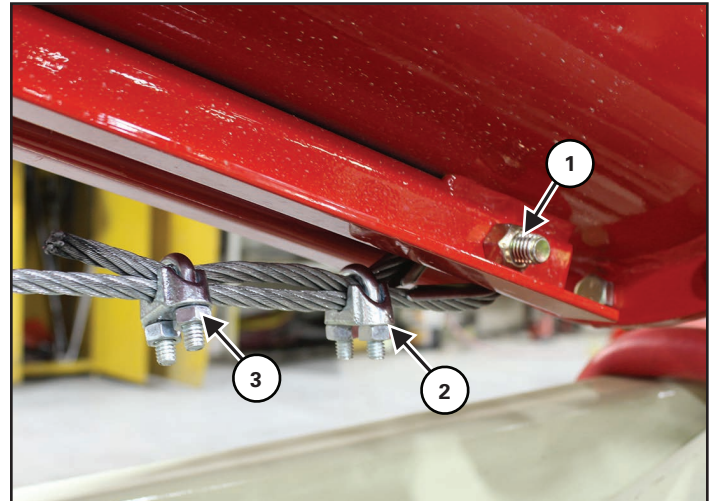
Figure 54



Thread the cable through the track roller pulley.

Route the cable (Item 1) from the track roller pulley to the fixed point at the end of the track [Figure 54].

Figure 55



Install one 3/8" thimble at the hole at the fixed point at the end of the track. Attach using one 1/2" x 2-3/4" hex bolt, one 1/2" flat washer, and one 1/2" lock nut (Item 1) [Figure 55].

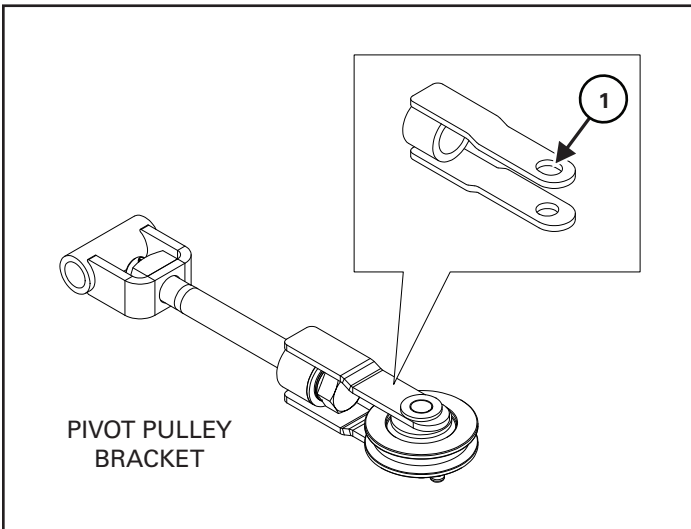
Thread 12" of the 3/8" cable (Item 1) through the thimble and fold back over. Pull cable tight [Figure 54].

Install the two 3/8" cable clamps (Item 2, 3) onto the two cable portions. Slide the first cable clamp (Item 2) as close to the thimble as possible and tighten [Figure 55].

Slide the second cable clamp (Item 3) approximately 2" from the end of the cable and tighten [Figure 55].

Route the cable (Item 2) from the track roller pulley to the pivot pulley [Figure 54].

Figure 56



Position the slotted hole (Item 1) of the pivot pulley bracket facing left, to the side opposite the winch [Figure 56].

!

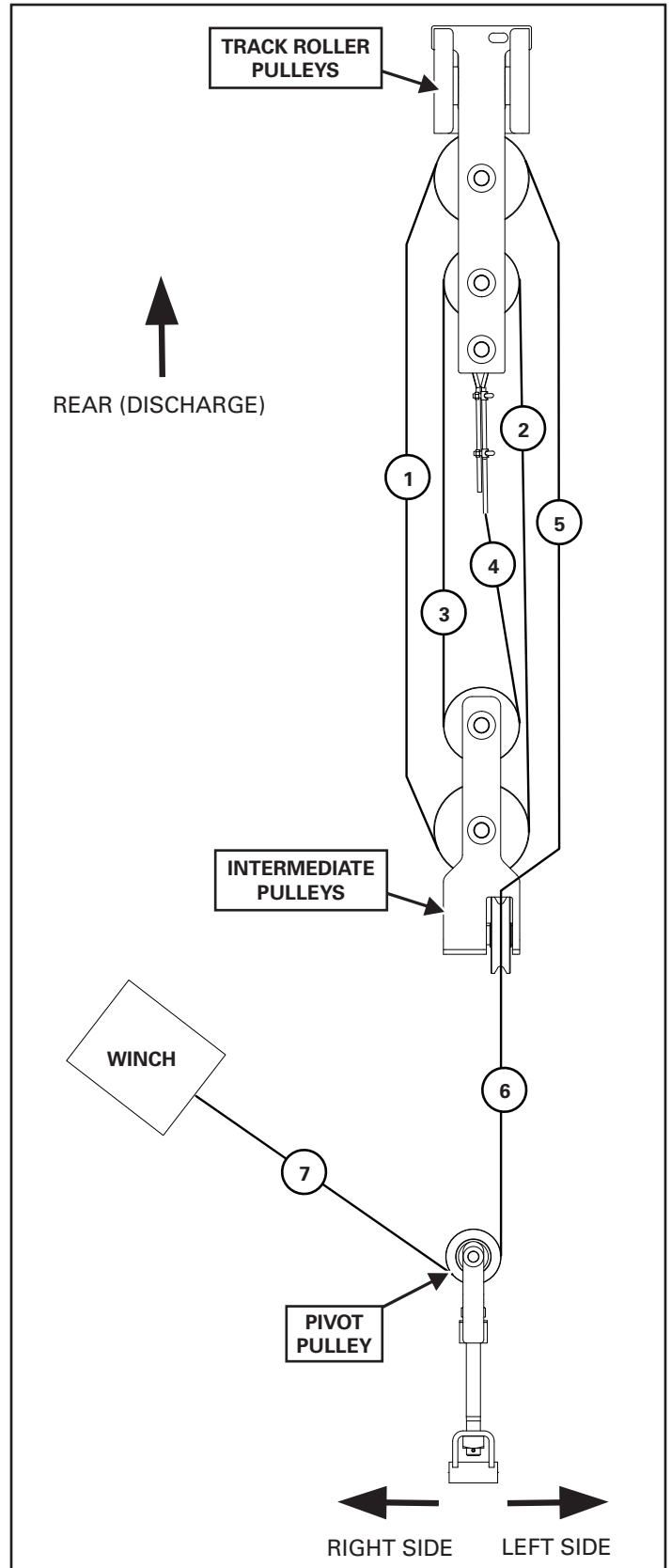
IMPORTANT

The pivot pulley will angle toward the winch once tension is applied to the cable.

Route the cable (Item 3) from the pivot pulley to the winch [Figure 54].

61 Ft. Models Winch Cable Routing

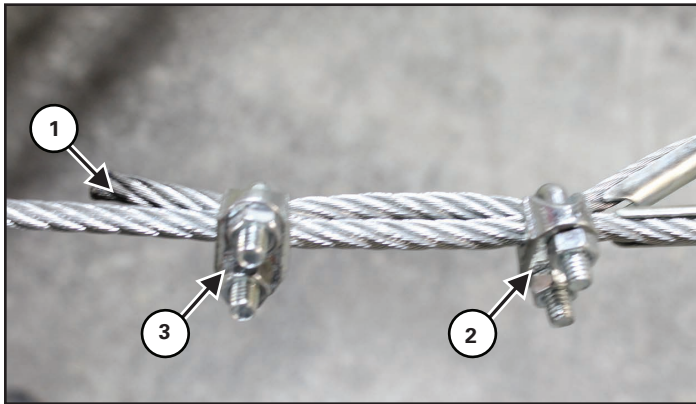
Figure 57



Thread the cable through the large pulley on the track roller. Route the cable from the right side of the pulley as follows:

- Route the cable (Item 1) from the large track roller pulley to the large intermediate pulley.
- Route the cable (Item 2) from the large intermediate pulley to the small track roller pulley.
- Route the cable (Item 3) from the small track roller pulley to the small intermediate pulley.
- Route the cable (Item 4) from the small intermediate pulley to the fixed point on the track roller **[Figure 57]**.

Figure 58



Install one 3/8" thimble at the fixed point at the end of the track. Attach using one clevis pin and cotter pin.

Thread 12" of the 3/8" cable (Item 1) **[Figure 58]** through the thimble and fold back over. Pull cable tight.

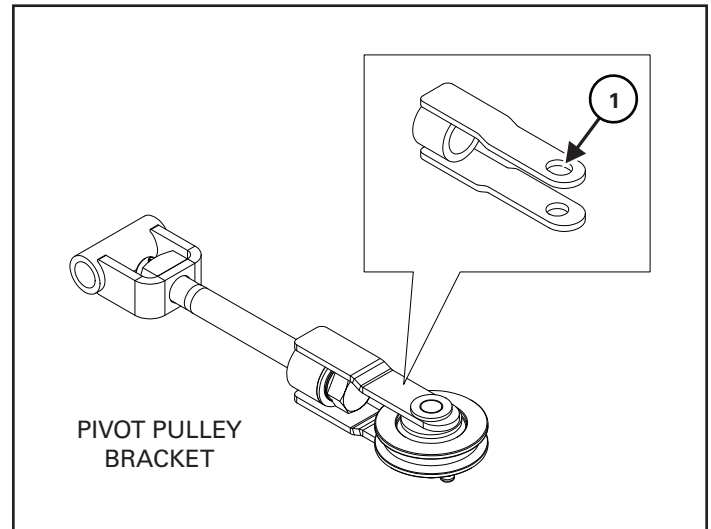
Install the two 3/8" cable clamps (Item 2, 3) onto the two cable portions. Slide the first cable clamp (Item 2) **[Figure 58]** as close to the thimble as possible and tighten.

Slide the second cable clamp (Item 3) **[Figure 58]** approximately 2" from the end of the cable and tighten.

From the large pulley on the track roller, route the cable from the left side of the pulley as follows:

- Route the cable (Item 5) from the large track roller pulley to vertical intermediate pulley.
- Route the cable (Item 6) from the vertical intermediate pulley to the pivot pulley **[Figure 57]**.

Figure 59



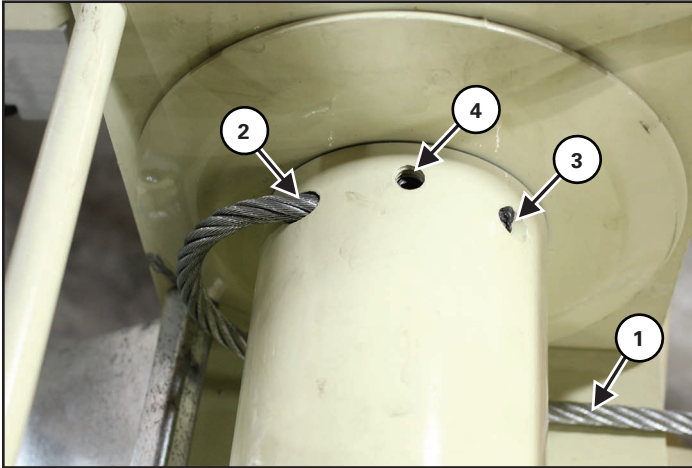
Position the slotted hole (Item 1) **[Figure 59]** of the pivot pulley bracket facing left, to the side opposite the winch.

!	IMPORTANT
<p>The pivot pulley will angle toward the winch once tension is applied to the cable.</p>	

Route the cable (Item 7) **[Figure 57]** from the pivot pulley to the winch.

Winch Cable Assembly

Figure 60



Route the cable (Item 1) underneath the spool and into the mounting channel entrance hole (Item 2) [Figure 60].

Thread the cable through the mounting channel so it flush with the exit hole (Item 3) [Figure 60].

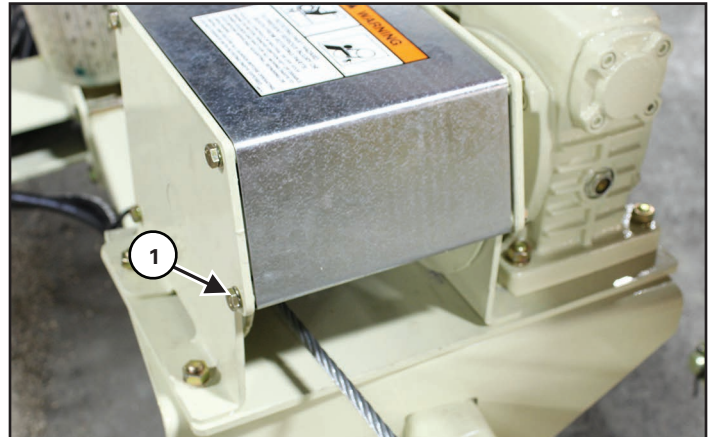
Secure the cable using one 3/8" x 3/8" socket set screw (Item 4) [Figure 60].

Figure 61



Wind the cable evenly from one end of the spool to the other [Figure 61].

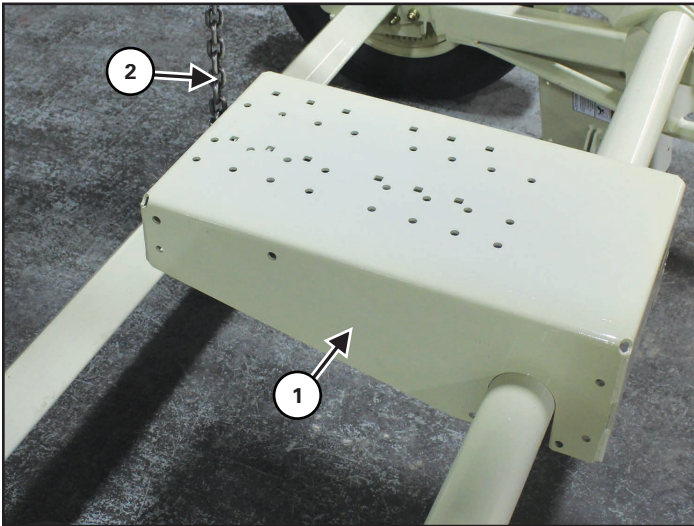
Figure 62



Hydraulic Winches: Reinstall the cover and hardware (Item 1) [Figure 62].

BELT DRIVE WITH ENGINE MOUNT ASSEMBLY

Figure 63

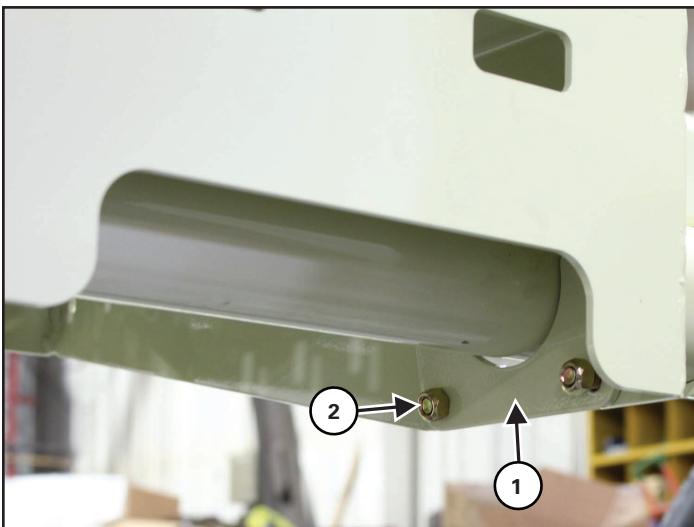


Position the engine mount (Item 1) on the cross brace. Support the hanging end with an approved lifting device (Item 2) **[Figure 63]**.

Face the hanging end towards the discharge tube.

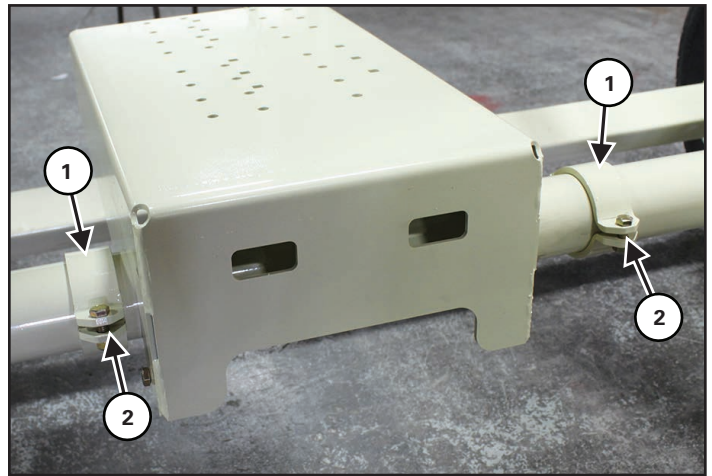
Check that the engine mount is level.

Figure 64



Secure the engine mount to the cross brace using two mounting brackets (Item 1). Attach using four 3/8" x 1" hex bolts and four 3/8" lock nuts (Item 2) **[Figure 64]**.

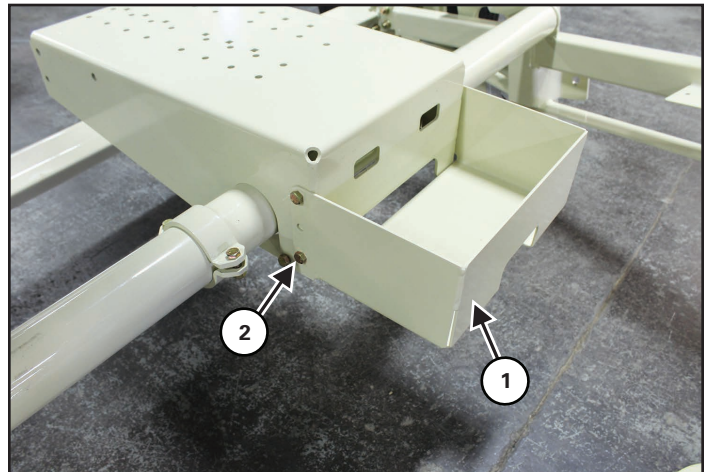
Figure 65



Attach two bracket clamps (Item 1) to each side of the engine mount on the cross brace. Attach each clamp pair with two 3/8" x 1-1/4" hex bolts and two 3/8" lock nuts (Item 2) **[Figure 65]**.

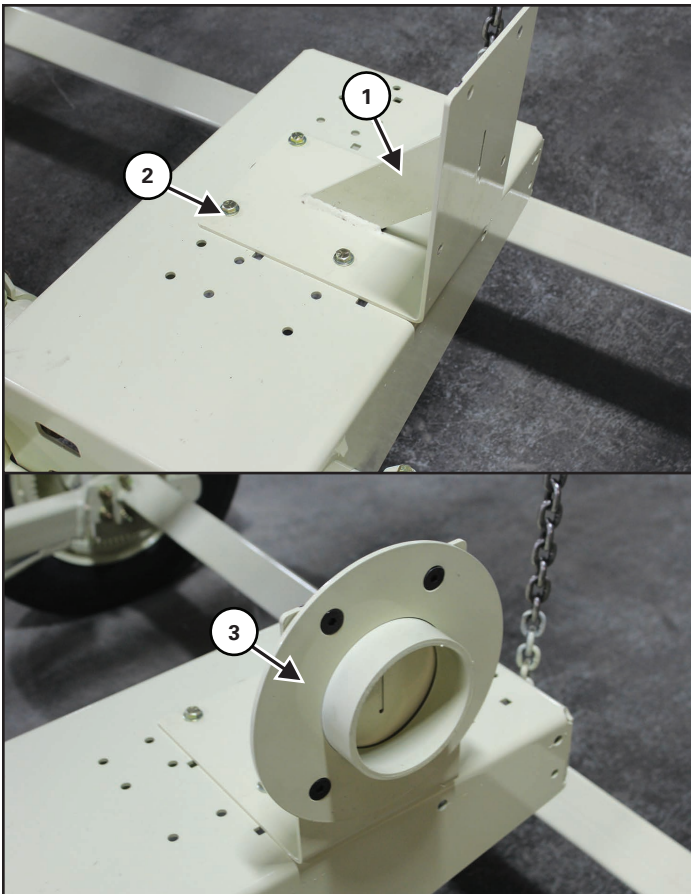
Do not tighten hardware at this time.

Figure 66



Position the battery holder (Item 1) on the engine mount. Attach using four 3/8" x 1" hex bolts and four 3/8" lock nuts (Item 2) **[Figure 66]**.

Figure 67



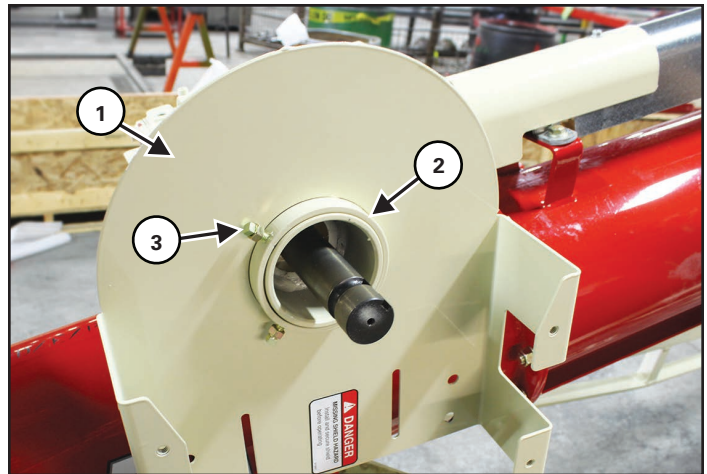
Position the motor dummy bracket (Item 1) [Figure 67] on the motor mount.

Attach the bracket at the third set of holes (Item 2) [Figure 67] from the front. The bracket must face the RH side.

Attach the pulley dummy bracket (Item 3) [Figure 67].

	IMPORTANT
<p>The dummy bracket is used when the engine is not assembled.</p>	

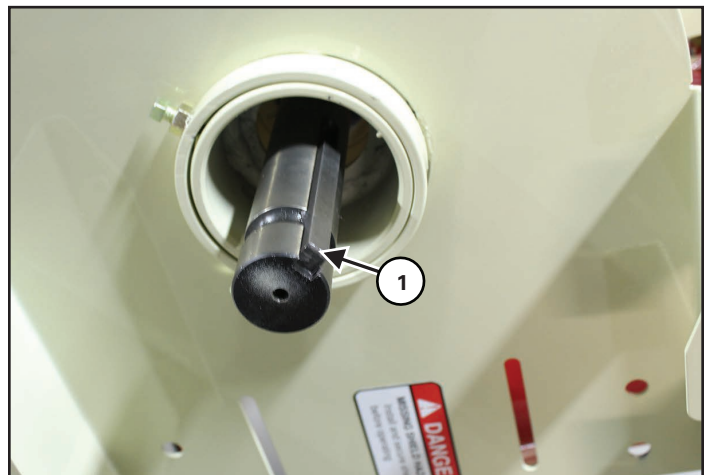
Figure 68



Position the belt guard (Item 1) [Figure 68] on the gearbox cover.

Position the belt guard ring (Item 2). Attach using two 5/16" x 1" carriage bolts and two 5/16" lock nuts (Item 3) [Figure 68].

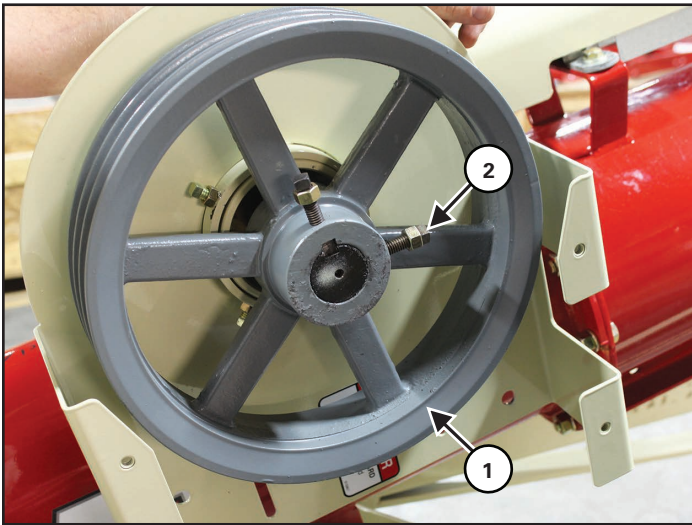
Figure 69



8" Models: Install one 1/4" x 2" key (Item 1) [Figure 69] on the gearbox driveshaft.

10" Models: Install one 3/8" x 3-3/8" key (Item 1) [Figure 69] on the gearbox driveshaft.

Figure 70

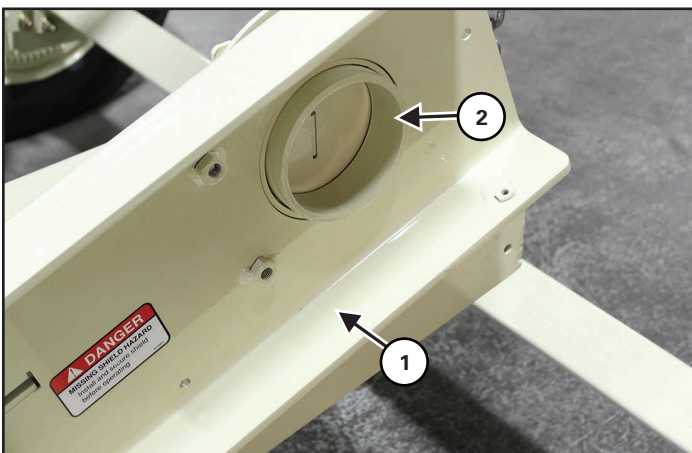


8" Models: Install one 12" double sheave (Item 1) to the gearbox driveshaft. Attach using two 3/8" x 1-1/4" set screws and 3/8" lock nuts (Item 2) [Figure 70].

10" Models: Install one 12" triple sheave (Item 1) to the gearbox driveshaft. Attach using two 3/8" x 1-1/4" set screws and 3/8" lock nuts (Item 2) [Figure 70].

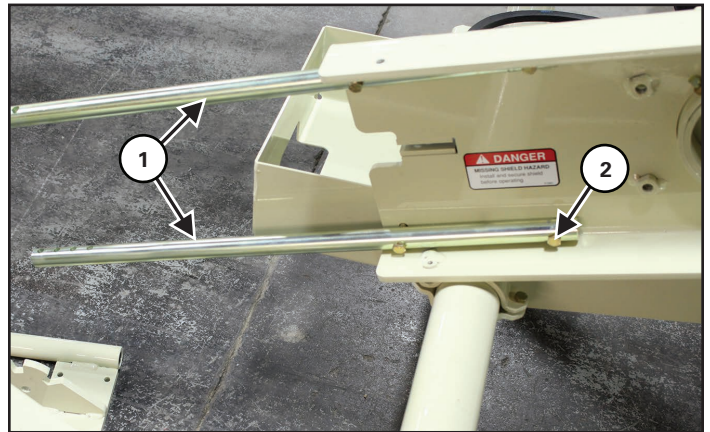
Do not tighten sheave hardware at this time.

Figure 71



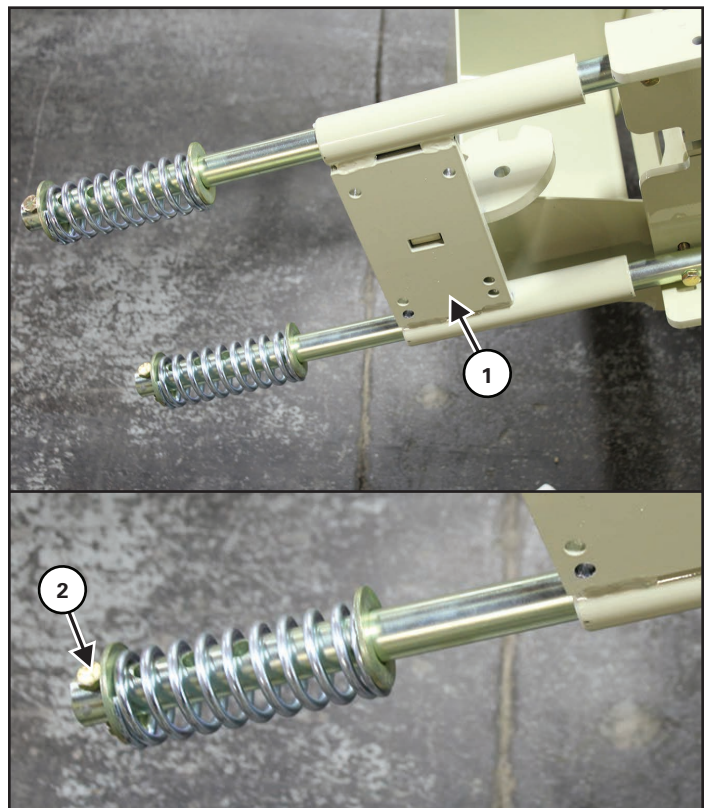
Position the belt guard (Item 1) on the dummy bracket (Item 2) [Figure 71].

Figure 72



Install two rods (Item 1) to the belt guard. Attach each rod with two 3/8" x 2-1/4" hex bolts and two 3/8" lock nuts (Item 2) [Figure 72].

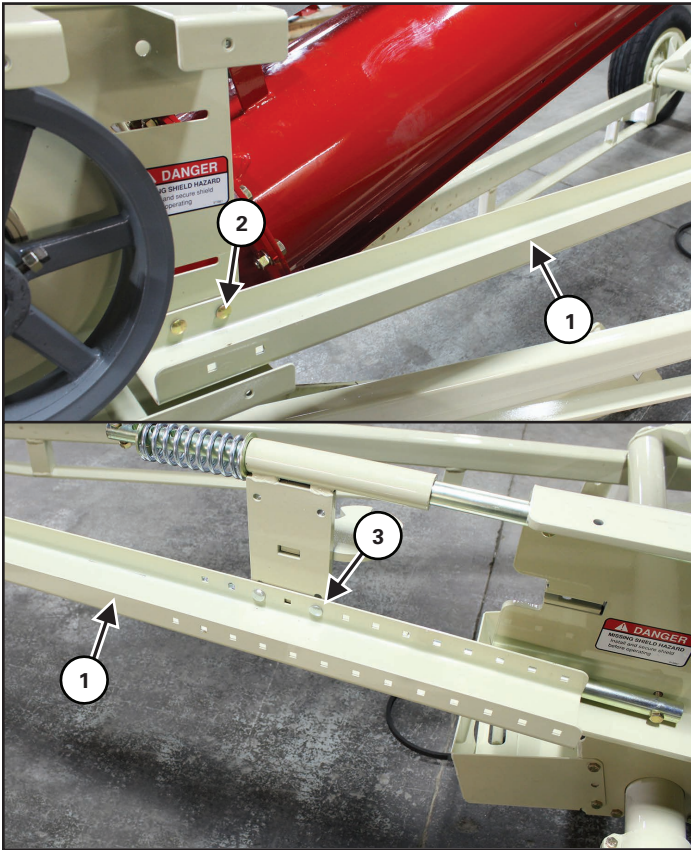
Figure 73



Install the slider weldment (Item 1) [Figure 73] onto the two rods.

Install one 1" flat washer, one spring, and one 1" flat washer onto each rod. Attach one 3/8" x 1-1/2" hex bolt and one 3/8" lock nut (Item 2) [Figure 73] onto the end hole of each rod.

Figure 74

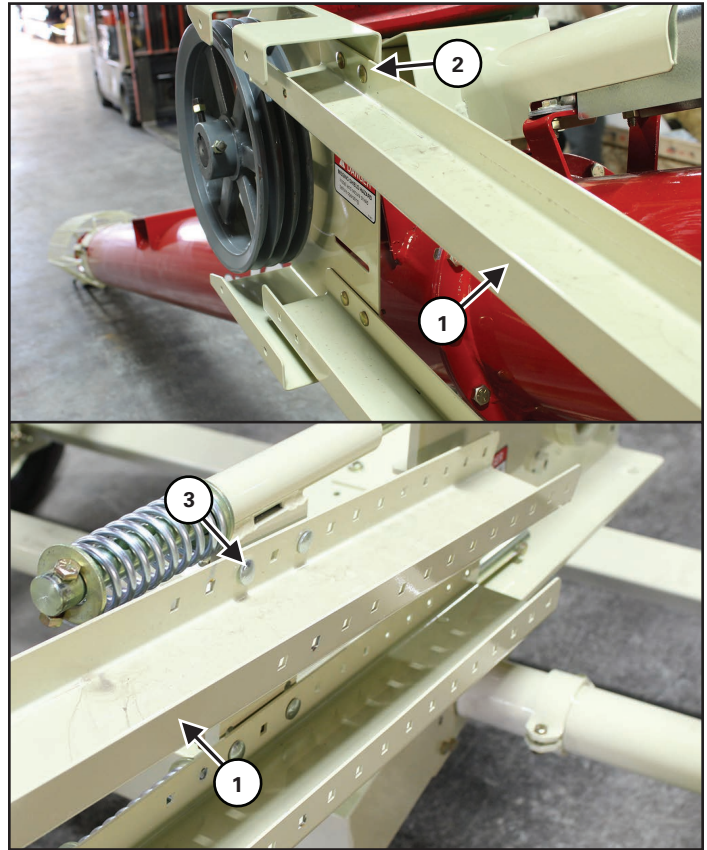


Install the lower belt tray (Item 1) [Figure 74] to the belt guards.

Attach the lower tray (Item 1) to the belt guard at the gearbox using two 5/16" x 3/4" carriage bolts and two 5/16" hex nuts (Item 2) [Figure 74].

Attach the lower tray (Item 1) to the slider weldment using two 5/16" x 1-1/2" carriage bolts, two 5/16" flat washers, and two 5/16" lock nuts (Item 3) [Figure 74].

Figure 75

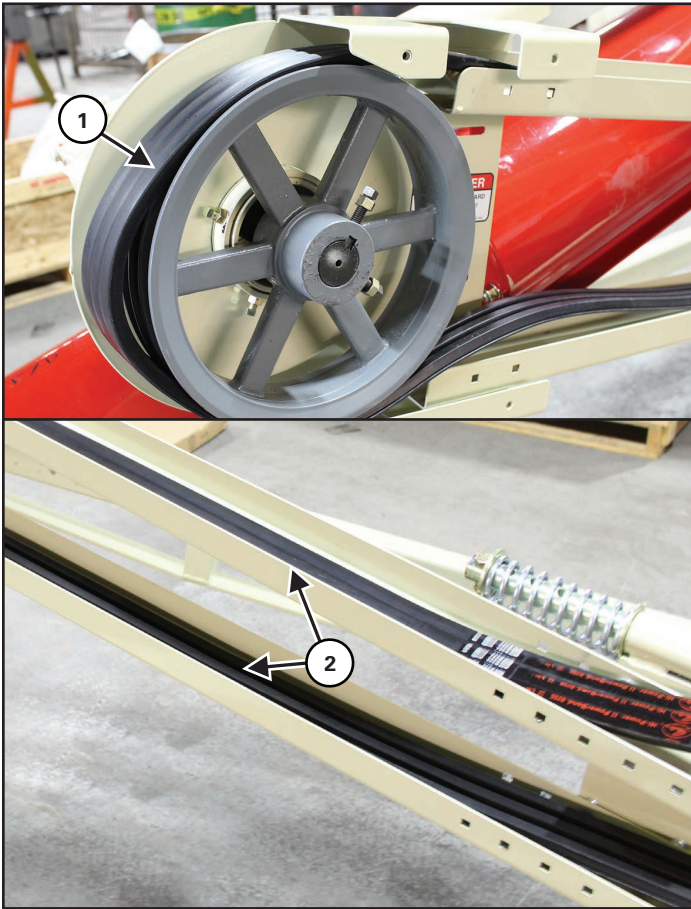


Install the upper belt tray (Item 1) [Figure 75] to the belt guards.

Attach the upper tray (Item 1) to the belt guard at the gearbox using two 5/16" x 3/4" carriage bolts and two 5/16" hex nuts (Item 2) [Figure 75].

Attach the upper tray (Item 1) to the slider weldment using two 5/16" x 1-1/2" carriage bolts, two 5/16" flat washers, and two 5/16" lock nuts (Item 3) [Figure 75].

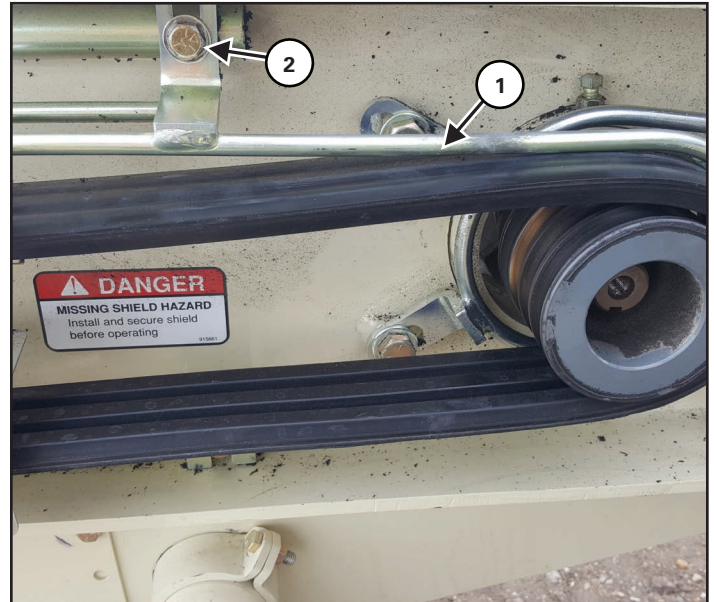
Figure 76



8" Models: Align the double banded belt around gearbox sheave (Item 1) and along the belt trays (Item 2) [Figure 76].

10" Models: Align the triple banded belt around the gearbox sheave (Item 1) and along the belt trays (Item 2) [Figure 76].

Figure 77



Install the belt guide (Item 1) [Figure 77] to the belt guard.

Reuse the two 3/8" x 2-1/4" hex bolts and two 3/8" lock nuts. Attach hardware including two 3/8" flat washers (Item 2) [Figure 77].

Position the belt within the guide.

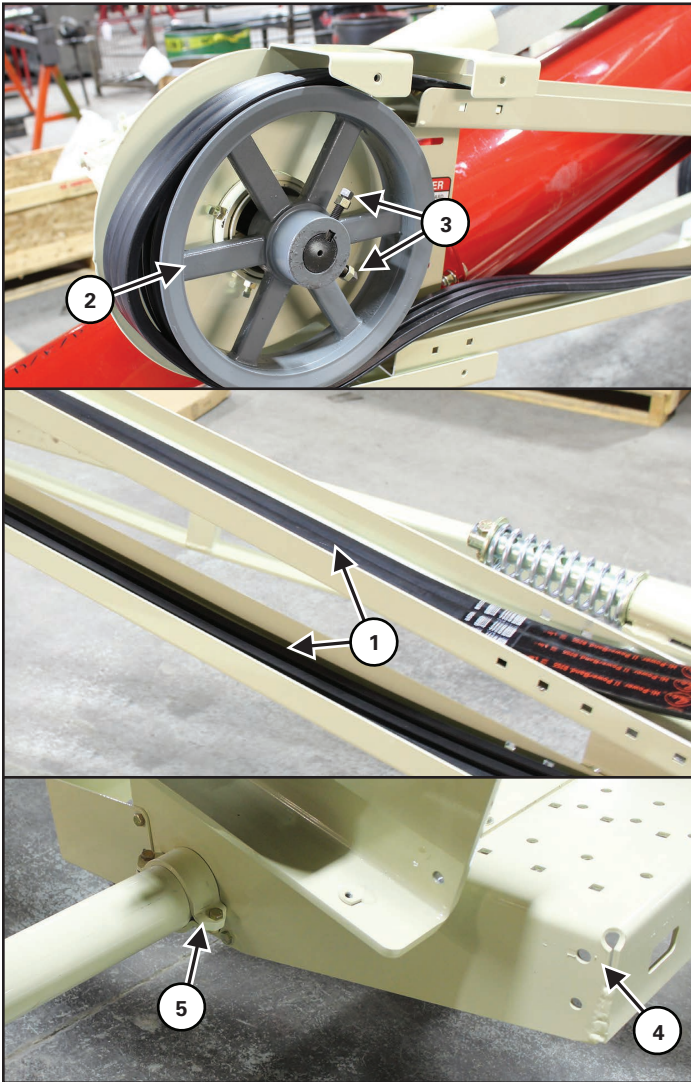


IMPORTANT

[Figure 77] depicts the belt guard with pulley and motor installed.

Contact your dealer for proper motor installation.

Figure 78

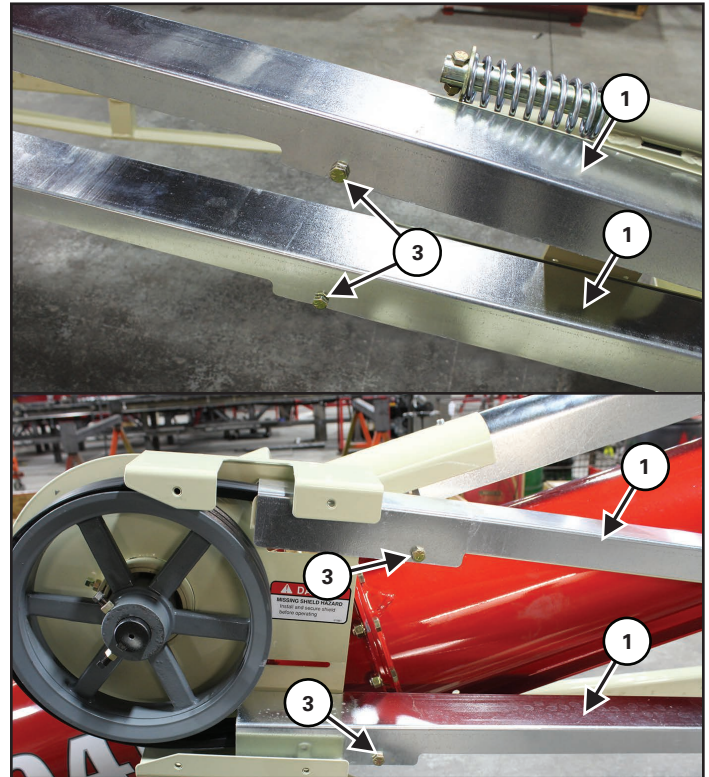


Center the belt in the upper and lower trays (Item 1) [Figure 78]. Check that the belt sits flat and does not contact the sides of the tray.

Adjust the sheave (Item 2) on the gearbox drive shaft as required. Tighten the set screws and lock nuts (Item 3) [Figure 78].

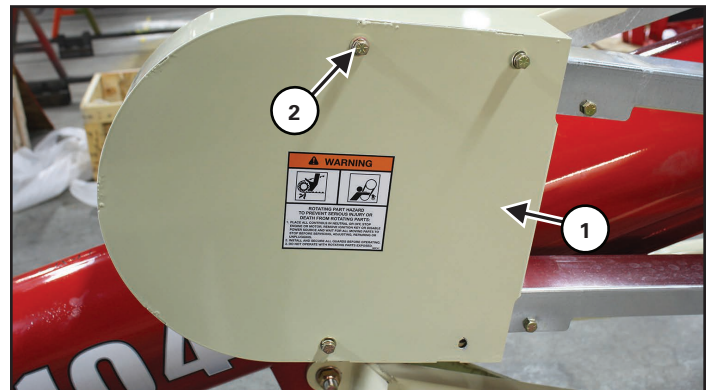
Adjust the engine mount (Item 4) on the cross-brace weldment. Tighten clamps and hardware (Item 5) [Figure 78].

Figure 79



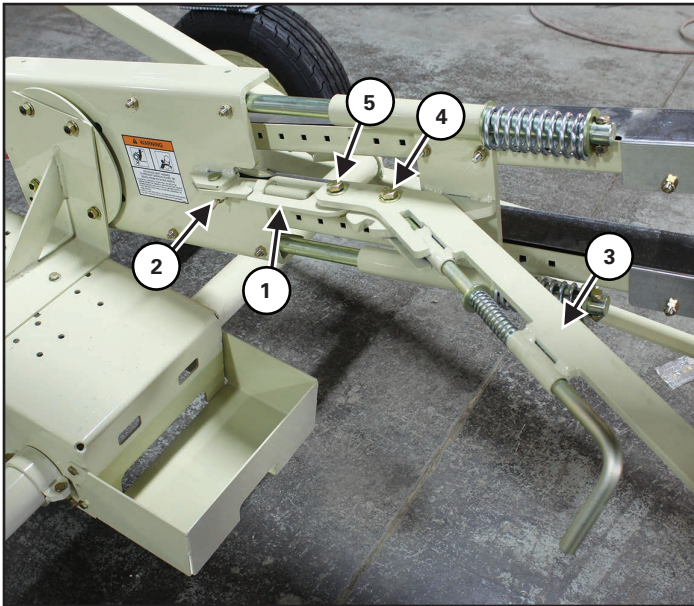
Position the belt covers (Item 1) over the upper and lower belt trays. Attach each cover with two 3/8" x 4" hex bolts and two 3/8" lock nuts (Item 3) [Figure 79].

Figure 80



Install the belt guard cover (Item 1). Attach using four 5/16" x 3/4" hex bolts and four 5/16" flat washers (Item 2) [Figure 80].

Figure 81



Install the lever linkage (Item 1) to the belt guard. Attach using one 1/2" x 2-1/4" clevis pin and one 1/8" x 1" cotter pin (Item 2) [Figure 81].

Install the lever (Item 3) to the slider weldment. Attach using one 1/2" x 2" hex bolt, one 1/2" flat washer, and one 1/2" lock nut (Item 4) [Figure 81].

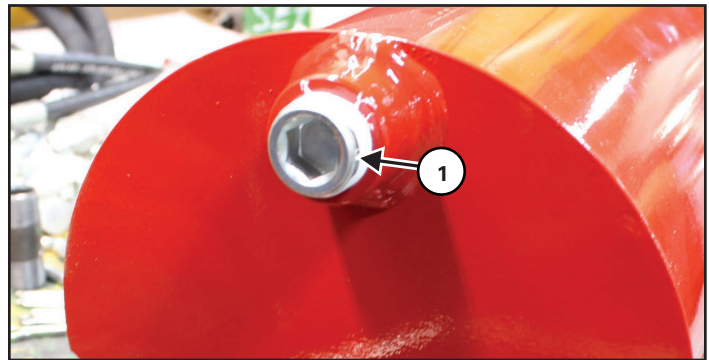
Attach the lever to the lever linkage using one 1/2" x 1-1/2" hex bolt, one 1/2" flat washer, and one 1/2" lock nut (Item 5) [Figure 81].

Figure 82



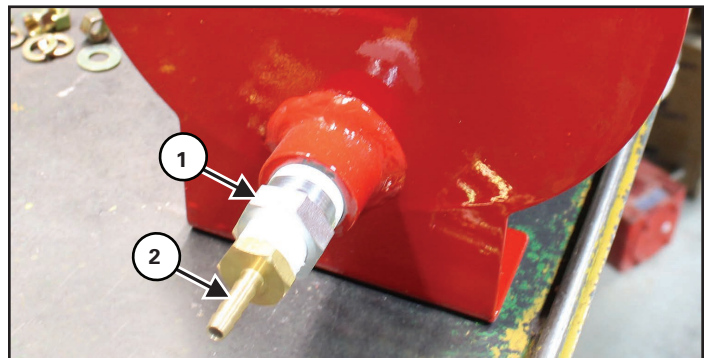
Move the gas tank (Item 1) [Figure 82] to the assembly area.

Figure 83



Install one plug (Item 1) [Figure 83] to the top port of the tank. Apply Teflon tape to threads.

Figure 84

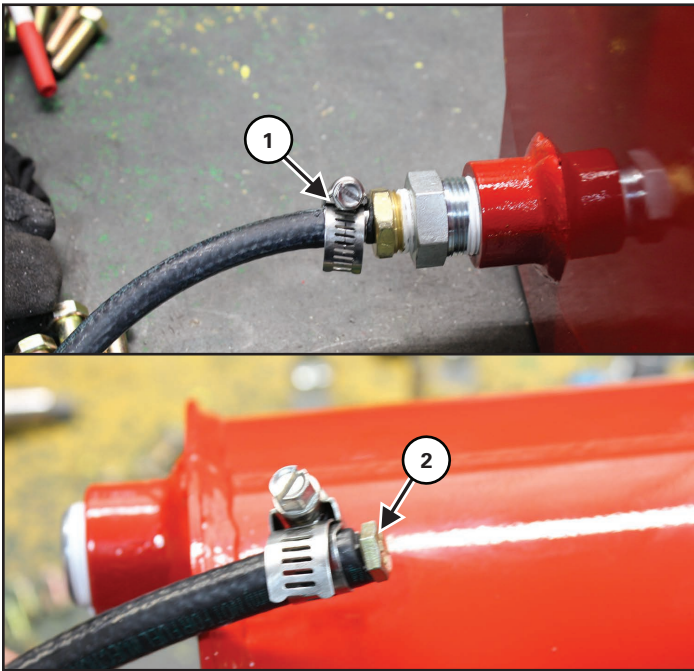


Install one 3/4" MNPT x 1/2" FNPT reducer (Item 1) [Figure 84] to the bottom port of the tank.

Install one -8 MPT x -4 hose barb adapter (Item 2) [Figure 84] to the reducer.

Apply Teflon tape to threads.

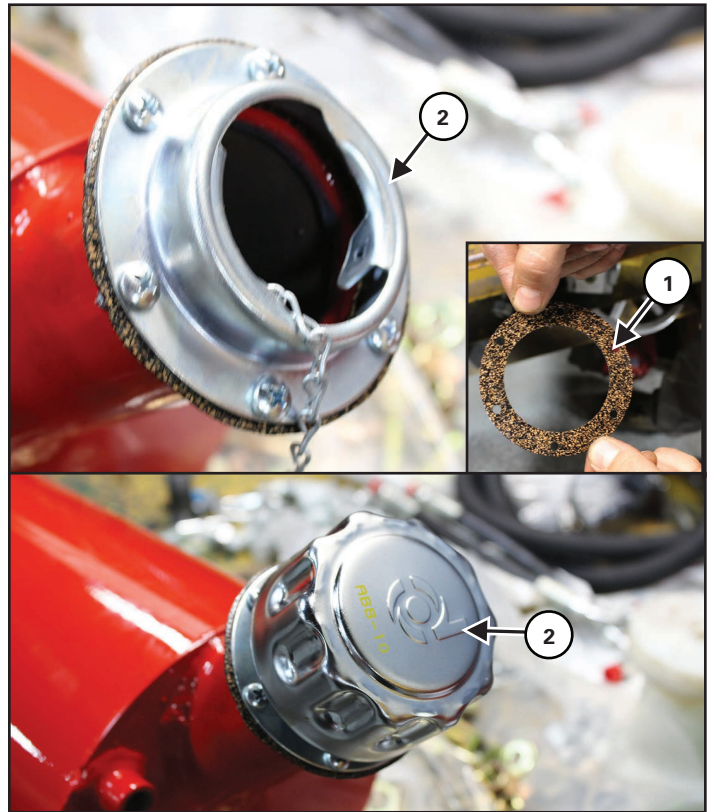
Figure 85



Install one fuel hose and hose clamp (Item 1) [Figure 85] to the hose barb of the adapter (Item 2) [Figure 84].

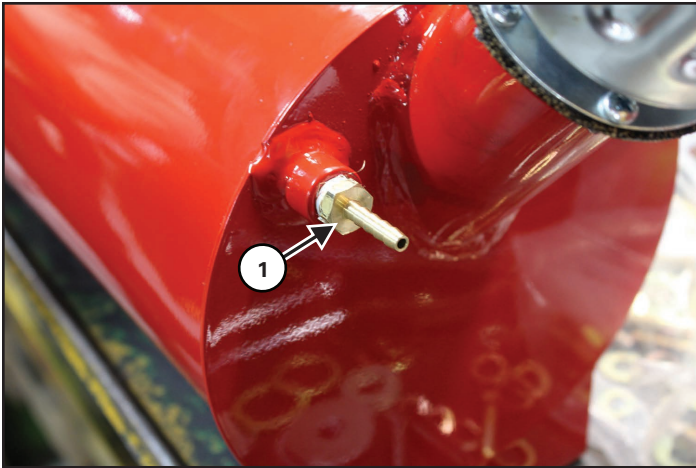
Install one hose clamp and plug (Item 2) [Figure 85] to the opposite end of the fuel hose.

Figure 86



Install one gasket (Item 1) and one fill cap (Item 2) [Figure 86] to the tank.

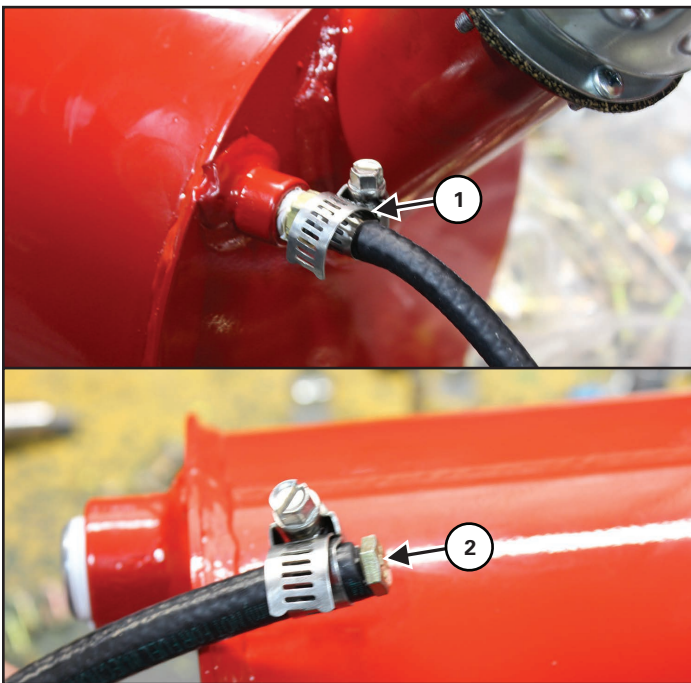
Figure 87



Install one -4 MPT x -3 hose barb adapter (Item 1) [Figure 87] to the vent port on the tank.

Apply Teflon tape to threads.

Figure 88



Install one fuel vent hose and hose clamp (Item 1) [Figure 88] to the hose barb of the adapter (Item 1) [Figure 87].

Install one hose clamp and plug (Item 2) [Figure 88] to the opposite end of the fuel hose.

Figure 89



Position the tank on the RH lift arm.

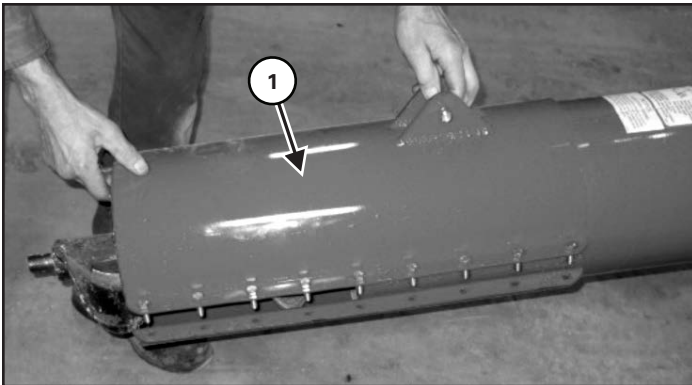
Position two mounting plates beneath the mounts. Attach each mount using two 3/8" x 4" hex bolts, and two 3/8" lock nuts (Item 1) [Figure 89].

HOPPER AND CASTER WHEEL ASSEMBLY (OPTIONAL)

Block auger wheels. Support auger intake so the intake cage can be removed.

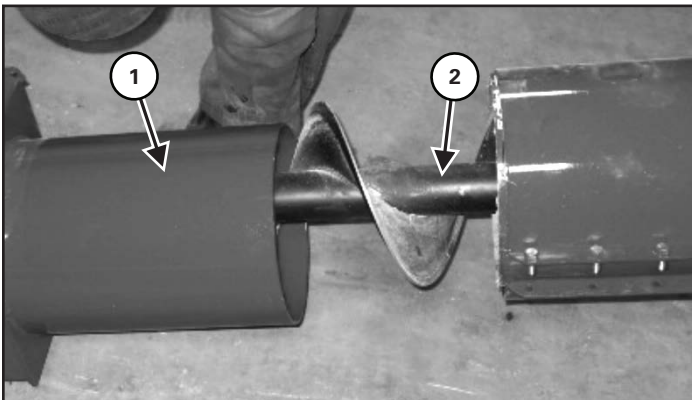
Remove the intake cage.

Figure 90



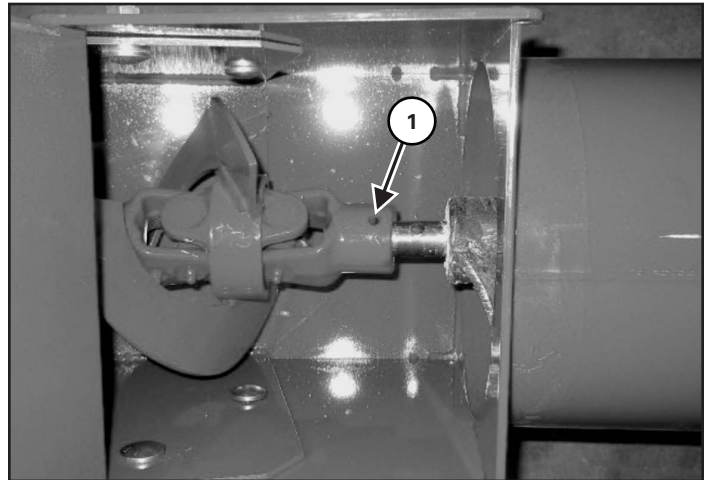
Slide two clamp halves (Item 1) onto the auger tube [Figure 90].

Figure 91



Slide the hopper assembly (Item 1) onto the auger flighting (Item 2) [Figure 91].

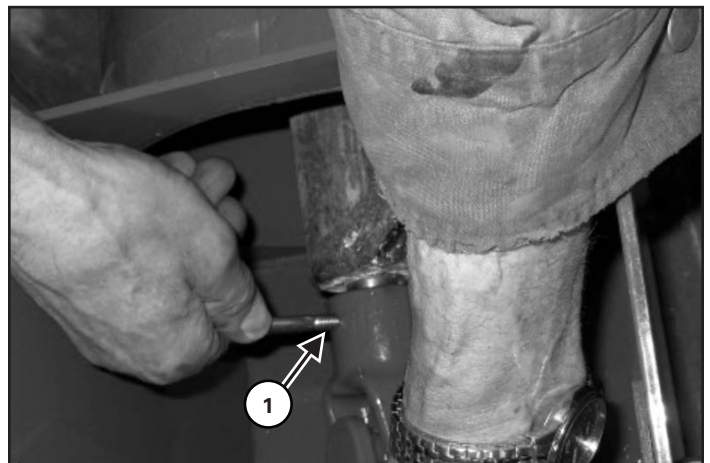
Figure 92



Align the hole (Item 1) of the hopper joint with the hole in the auger shaft [Figure 92].

NOTE: 10" joint w/ flighting shown [Figure 92].

Figure 93



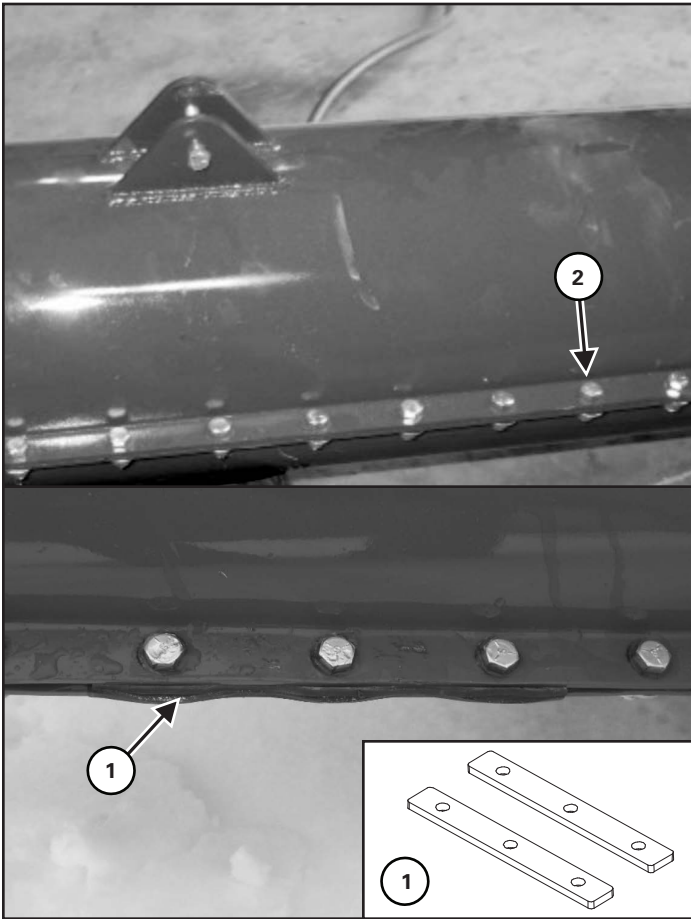
Install one 5/16" x 2-1/2" hex bolt (Item 1) through the joint and shaft hole. Attach with one 5/16" lock nut [Figure 93].



IMPORTANT

Make sure hopper assembly does not obstruct safety decals on auger tube.

Figure 94



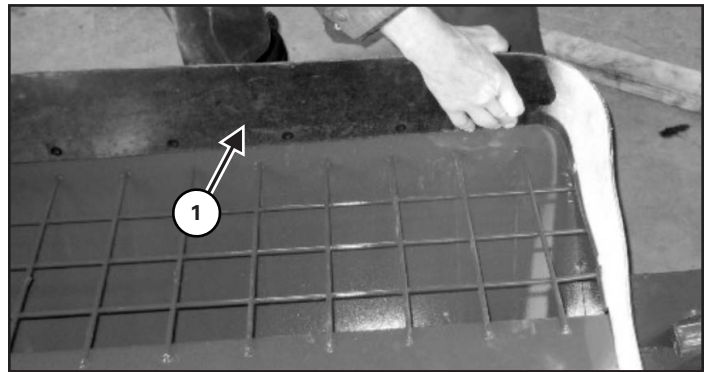
Slide clamp halves down to hopper. Adjust hopper to sit level with ground.

Place two three-hole gaskets (Item 1) between the half clamps (both sides). Ensure the three holes in the gaskets line up with the three holes closest to the gap on the half clamps [Figure 94].

Attach clamp halves using 3/8" x 1-1/4" hex bolts (Item 2), 3/8" flat washers, and 3/8" lock nuts [Figure 94].

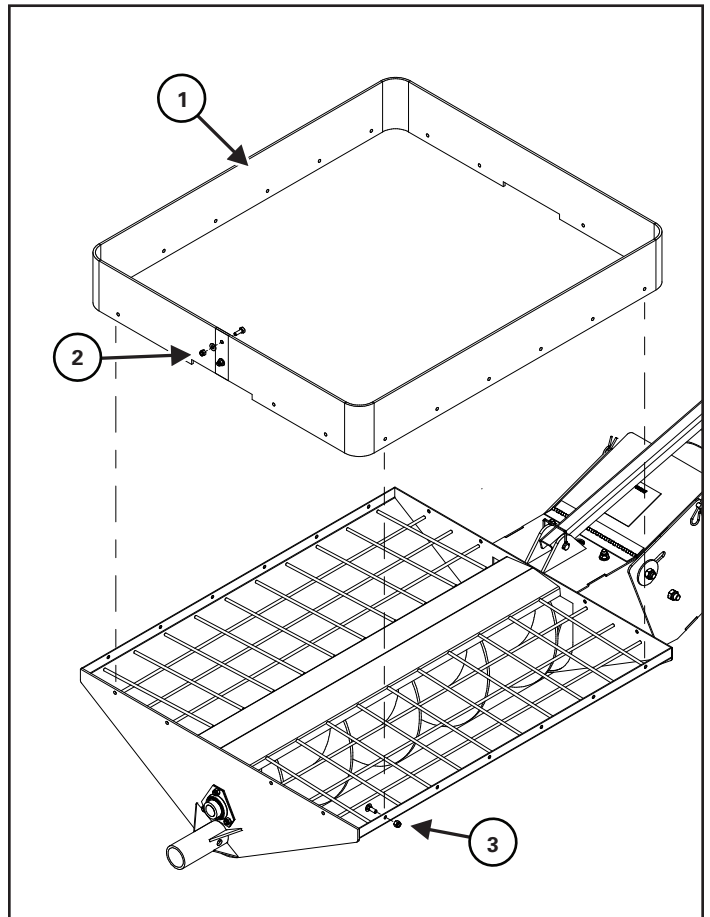
Tighten evenly starting at the four corners of the gasket.

Figure 95



Place the rubber hopper extension (Item 1) around the rim of the hopper [Figure 95].

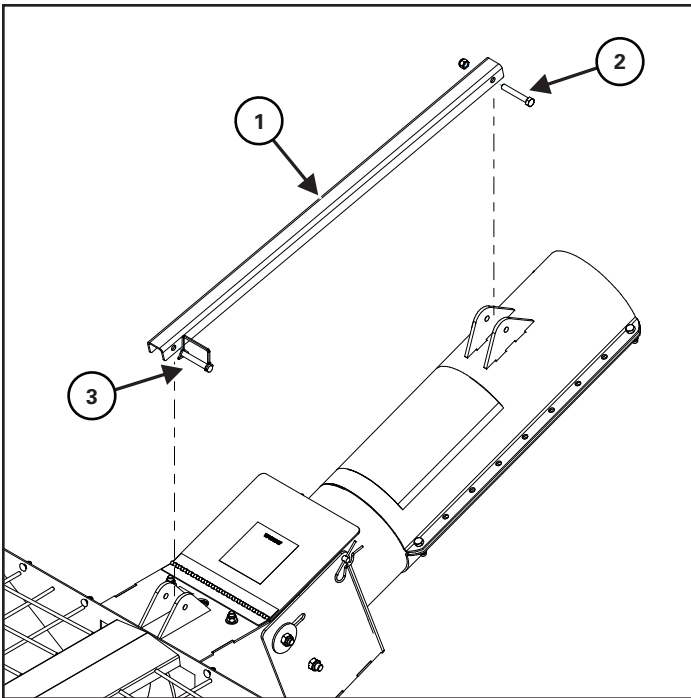
Figure 96



Attach the ends of the rubber hopper extension (Item 1) using two 1/4" x 3/4" bolts, 1/4" flat washers, and 1/4" lock nuts (Item 2) [Figure 96].

Attach the rubber hopper extension to the rim of the hopper using 1/4" x 3/4" carriage bolts and 1/4" lock nuts (Item 3) [Figure 96].

Figure 97

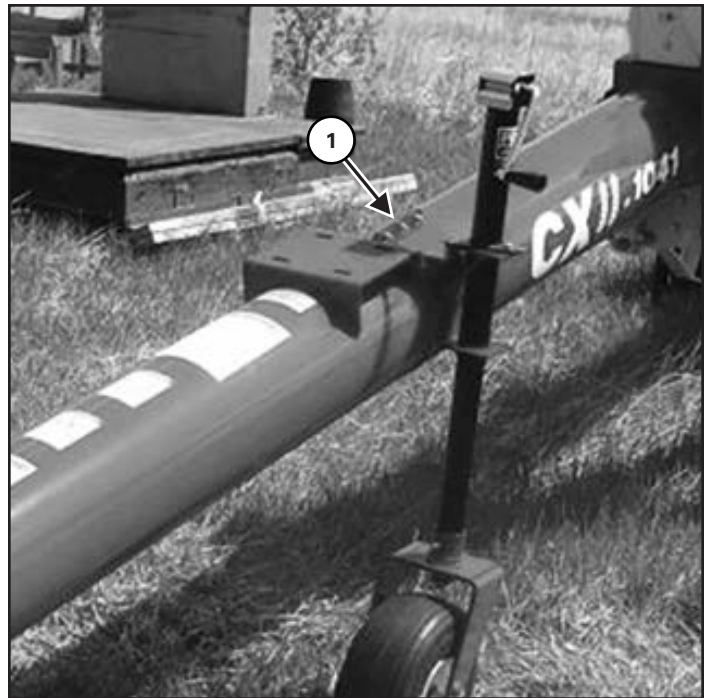


Place the support bar (Item 1) between the tabs on the hopper and half clamp [Figure 97].

Attach the support bar to the tabs on the half clamp using one 3/8" x 2-1/2" hex bolt (Item 2) and 3/8" lock nut [Figure 97].

Attach the support bar to the tabs on the hopper using one snap pin (Item 3) [Figure 97].

Figure 98



Place the half clamps (Item 1) of the castor wheel assembly around the tube above the gearbox mount [Figure 98].

Make sure that the castor wheel is perpendicular to the ground on the left side of the auger tube.

Attach half clamps using six 3/8" x 1-1/4" hex bolts and 3/8" lock nuts.

	IMPORTANT
Make sure hopper assembly does not obstruct safety decals on auger tube.	

OPERATION

GENERAL INFORMATION.....	65
Pre - Operation Checklist.....	65
Break - In Checklist.....	66
Tractor And Gas Engine Requirements.....	67
ENTERING & LEAVING THE OPERATOR'S POSITION.....	68
Entering The Operator's Position.....	68
Leaving The Operator's Position.....	68
HITCHING / UNHITCHING AUGER.....	68
Hitching The Equipment.....	68
Unhitching The Equipment.....	69
RAISING / LOWERING AUGER.....	70
Mechanical Winch.....	70
Hydraulic Winch.....	70
PTO BELT DRIVE / DIRECT DRIVE.....	71
Connecting PTO Shaft.....	71
Disconnecting PTO Shaft.....	71
GAS ENGINE BELT DRIVE.....	72
Shiftable Gearbox.....	72
FIELD OPERATION.....	73
Working Position.....	73
Auger Operation.....	74
TRANSPORTING.....	75



Farm King



GENERAL INFORMATION



Pre - Operation Checklist

Before operating the auger for the first time and each time thereafter, check the following items:

	WARNING
	
<p>AVOID INJURY OR DEATH</p> <ul style="list-style-type: none"> • Disengage the PTO, engage the machine's parking brake, stop the engine and make sure all rotating components are completely stopped before connecting, disconnecting, adjusting or cleaning any PTO driven equipment. • Always keep PTO shields and all guards in place when using PTO driven equipment. • Disengage PTO for road travel. • Keep hands, feet and clothing away. 	

	WARNING
<p>AVOID INJURY OR DEATH</p> <p>Wear safety glasses to prevent eye injury when any of the following conditions exist:</p> <ul style="list-style-type: none"> • When fluids are under pressure. • Flying debris or loose material is present. • Engine is running. • Tools are being used. 	

3. Make sure that all guards and shields are in place, secured and functioning as designed.

	WARNING
	
<p>HIGH PRESSURE FLUID HAZARD</p> <p>Leaking fluids under pressure can enter the skin and cause serious injury or death. Immediate medical attention is required. Wear goggles. Use cardboard to check for leaks.</p>	

4. Check condition of all hydraulic components for leaks. Repair as required.

Note: Do not operate with hydraulic leaks.

5. Check and tighten all wheel bolts to proper torque.
6. Check tire pressure. Inflate per manufacturer's specification.
7. Check gearbox oil level. Fill as required. (See Maintenance section).
8. Check that the PTO driveline telescope easily and turn freely.
9. Make sure the PTO ends are securely attached to the auger and the tractor.
10. Check the drive belt tension and alignment. Tension or align as required. (See Maintenance section).

1. Lubricate the equipment per the schedule outline in the Maintenance Section.
2. Check the augers. Remove any material build-up or debris that has become entangled.

Break - In Checklist

Note: The break-in period is different from normal operating conditions.

The tube and flighting must get a polished surface through use. Once the new auger has polished it will run smooth at recommended speed.

Note: Never operate an empty auger for over one minute, as the flighting and housing will experience excessive wear.



During the break-in-period:

1. Run the tractor at slow idle until grain begins to flow from the discharge. For the first 500 bushels, operate at the slow speed and restrict the flow of grain at the intake.
2. Gradually increase the speed until operating at full PTO speed.

Note: Do not run empty during break-in period.

Check the following mechanical items after 1 hour of operation and again after 10 hours of operation:

1. Re-torque wheel bolts to proper torque and check tire pressure.
2. Check for loose fasteners and hardware. Tighten as required.
3. Check the belt tension and alignment. Tension or align as required (See Maintenance section).
4. Check the condition of all hydraulic lines, hoses, fittings and couplers for damage or leaks.
5. Tighten leaking fittings and repair or replace any damaged components.
6. Check the condition of all electrical lines, wires, and connections. Repair or replace any damaged systems or components.
7. Check that all guards and shields are in place, secured and functioning as designed.

	<h2 style="margin: 0;">WARNING</h2>
	
<h3 style="margin: 0;">AVOID INJURY OR DEATH</h3>	
<ul style="list-style-type: none"> Disengage the PTO, engage the machine's parking brake, stop the engine and make sure all rotating components are completely stopped before connecting, disconnecting, adjusting or cleaning any PTO driven equipment. Always keep PTO shields and all guards in place when using PTO driven equipment. Disengage PTO for road travel. Keep hands, feet and clothing away. 	

	<h2 style="margin: 0;">WARNING</h2>
 	
<h3 style="margin: 0;">ROTATING PART HAZARD</h3>	
<p>To prevent serious injury or death from rotating parts:</p> <ul style="list-style-type: none"> Place all controls in neutral or off, stop engine or motor, remove ignition key or disable power source and wait for all moving parts to stop before servicing, adjusting, repairing or unplugging. Install and secure all guards / shields before operating. Do not operate with rotating parts exposed. 	

Tractor And Gas Engine Requirements

WARNING

DO NOT EXCEED 540 RPM PTO

Keep PTO shields and all guards in place.

Keep away from moving parts.

Keep bystanders away.

Figure 99

Auger Model	Hitch Weight	Total Weight
841	*	*
851	*	*
861	*	*
1041	*	*
1051	*	*
1061	*	*

*Information unavailable

The chart [Figure 99] lists the hitch weight and total weight of the auger models. The tractor / tow vehicle must be rated for the listed weight to transport the specified auger model.

Figure 100

Auger Model	Minimum Horsepower Requirement		
	PTO Direct Drive	PTO Belt Drive	Gas Engine Belt Drive.
841	16	16	16
851	20	20	20
861	24	*	*
1041	28	28	28
1051	32	32	32
1061	38	38	38

*Engine / PTO belt drive not available for 861 models.

The chart [Figure 100] lists the minimum tractor PTO hp (with 540 rpm PTO) and the minimum gas engine hp.

The tractor must be equipped with a 6 spline 3/8" (38 mm) PTO shaft.


IMPORTANT

The hydraulic winch for raising and lowering the auger (optional) requires a hydraulic pressure of 5 gpm (19 lpm) at 2800 psi (19329 kPa) PSI.

ENTERING & LEAVING THE OPERATOR'S POSITION

Entering The Operator's Position

Enter the operator's position, start the engine, and release the parking brake.

	IMPORTANT
<p>Follow the instructions in your tractor's operation manual for the correct procedure.</p>	

Leaving The Operator's Position

Always perform the following steps when leaving the operator's position:

	WARNING
<p style="text-align: center;">AVOID INJURY OR DEATH</p> <p>Before you leave the operator's position:</p> <ul style="list-style-type: none"> • Always park on a flat level surface. • Place all controls in NEUTRAL. • Engage the park brake. • Stop the engine and remove the key. • Wait for all moving parts to stop. 	

HITCHING / UNHITCHING AUGER

Attach the auger to the tractor whenever the equipment is moved around the yard or into working position.


Tow the equipment by truck when traveling long distances (see Transport on **page 77**).

Hitching The Equipment

Make sure that bystanders, especially small children, are clear of the working area.

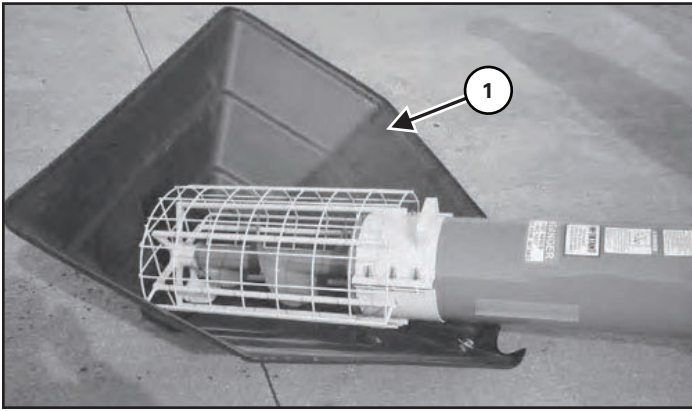
Be sure that there is sufficient room and clearance to back up to the machine.

Align the drawbar with the hitch of the auger while backing up.

	WARNING
	
<p>Before moving the tractor, look in all directions and make sure no bystanders, especially small children are in the work area. Do not allow anyone between the tractor and the equipment when backing up to the equipment for connecting.</p>	

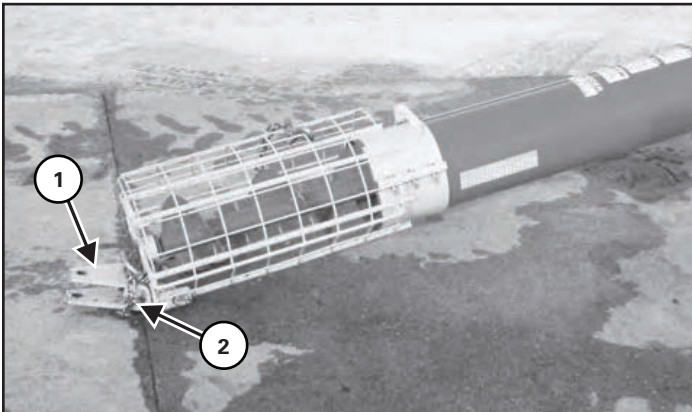
Leave the operator's position (see Leaving The Operator's Position on **page 70**).

Figure 101



Remove the plastic hopper (Item 1) [Figure 101] from the intake (if equipped).

Figure 102



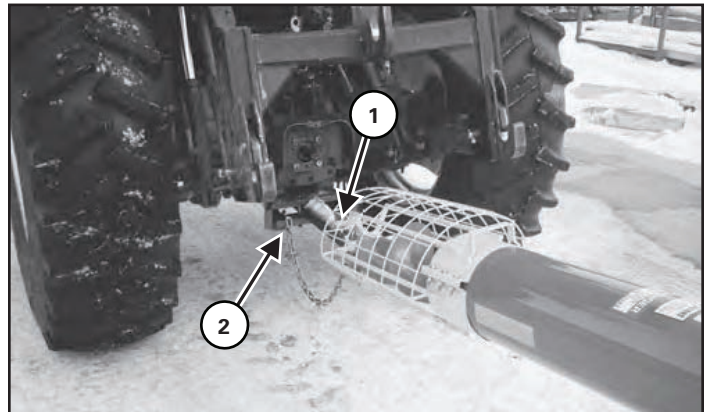
Install and secure the hitch weldment (Item 1) [Figure 102]. Attach the hitch using one clevis pin and one 3/16" lynch pin.

Install the safety chain (Item 2) [Figure 102] to the hitch weldment.

	WARNING
AVOID INJURY OR DEATH	
The machine is closely balanced. Do not lift unless there is downward weight on the intake end to prevent upending.	

	IMPORTANT
Do not move the auger while in the raised position.	
Lower the auger to the lowest position with the track roller resting against the track stop before moving.	
See Raising And Lowering The Auger on page 72.	

Figure 103



Lift the intake and hitch to the tractor drawbar height. Align the tractor hitch pin holes with the auger hitch pin holes.

Install the drawbar pin and retainer pin (Item 1) [Figure 103].

Install the safety chain to the tractor drawbar (Item 2) [Figure 103].

Unhitching The Equipment

Reverse the hitching procedure to unhitch the equipment.

	WARNING
Warnings on the machine and in the manuals are for your safety. Failure to obey warnings can cause serious injury or death.	

RAISING / LOWERING AUGER

Always raise or lower the auger on a flat and level area.


Clear the area of bystanders, especially small children, before starting.


	IMPORTANT
Do not move the auger while in the raised position.	

Be sure there is enough clearance from overhead obstructions and power lines or other equipment.

Attach the auger to the tractor (see Hitching And Unhitching Auger on **page 70**).

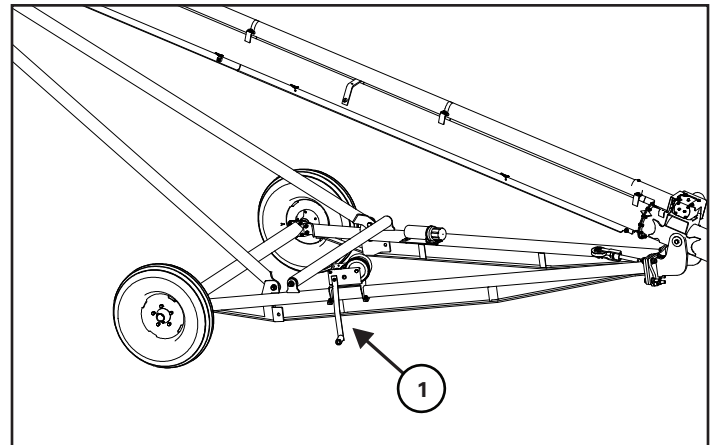
Place chocks in the front and rear of each wheel.

	WARNING
<p>Always raise or lower the auger while hitched to a tractor or approved transport unit.</p> <p>Never attempt to raise or lower the auger during operation.</p> <p>Never place blocks under the wheels to increase the elevation of auger.</p> <p>Keep wheels of undercarriage level and on firm ground.</p>	

	DANGER
<p style="text-align: center;">ELECTROCUTION HAZARD</p> <p>To prevent serious injury or death from electrocution:</p> <ul style="list-style-type: none"> • Be aware of overhead power lines. • Electrocution can occur without direct contact. 	

Mechanical Winch

Figure 104



Turn the handle of the winch (Item 1) **[Figure 104]** to raise or lower the auger.

Turn the handle clockwise to raise the frame and counterclockwise to lower.

Hydraulic Winch

Make sure all hydraulic connections are fully engaged.

Enter the tractor, start the engine and engage the tractor's hydraulics.

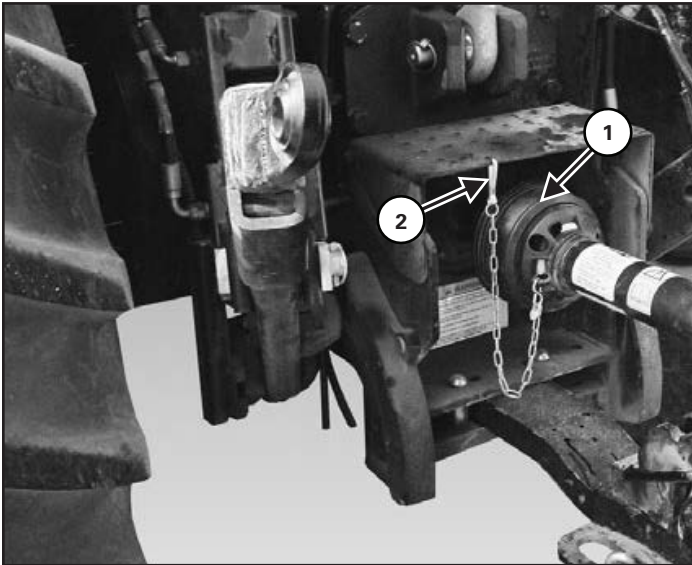
Run the tractor engine at low idle.

Act on the control lever for the hydraulic system to engage the winch hydraulic motor.

PTO BELT DRIVE / DIRECT DRIVE

Connecting PTO Shaft

Figure 105



Position tractor next to auger frame.

Retract collar (Item 1) [Figure 105] on PTO yoke to retract lock pin and slide yoke over tractor shaft.

Pull on yoke to make sure lock pin clicks into place.

Install PTO driveline safety chain (Item 2) [Figure 105].

	WARNING
<p>AVOID INJURY OR DEATH</p> <p>Do NOT exceed 540 RPM PTO.</p> <p>Keep PTO shields and all guards in place.</p> <p>Keep away from moving parts.</p> <p>Keep bystanders away.</p>	

Disconnecting PTO Shaft

Disengage the PTO and lower engine RPM speed.

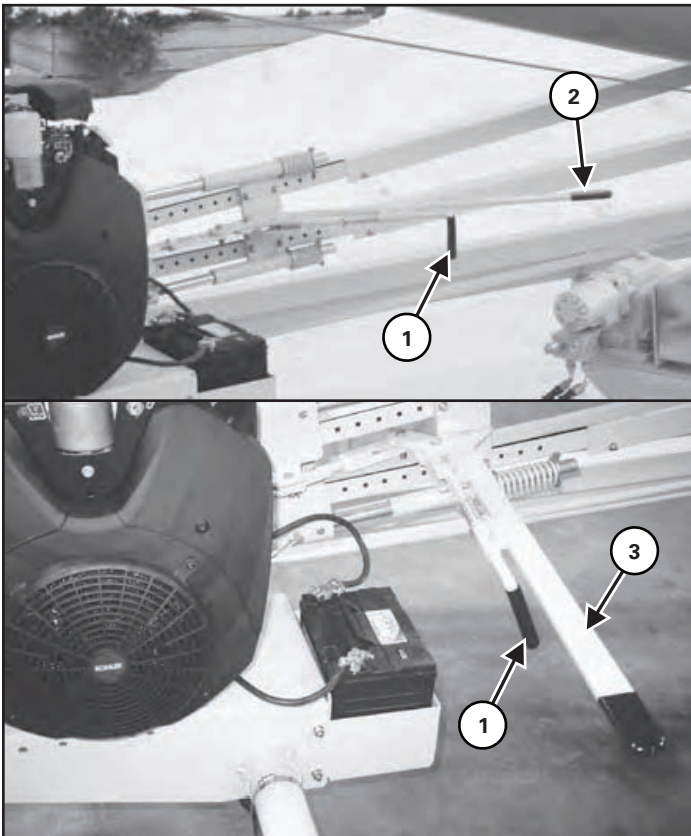
	WARNING
<p>AVOID INJURY OR DEATH</p> <p>Wait for all moving parts to stop before disconnecting PTO.</p>	

Remove safety chain (Item 2) [Figure 105].

Retract collar (Item 1) [Figure 105] on PTO yoke and slide off of tractor shaft.

GAS ENGINE BELT DRIVE

Figure 106



Release the lever lock (Item 1) [Figure 106].

Act on the lever to move the engine mounting platform to engage / disengage the drive system.

Move the lever (Item 2) [Figure 106] towards the engine to engage the drive system.

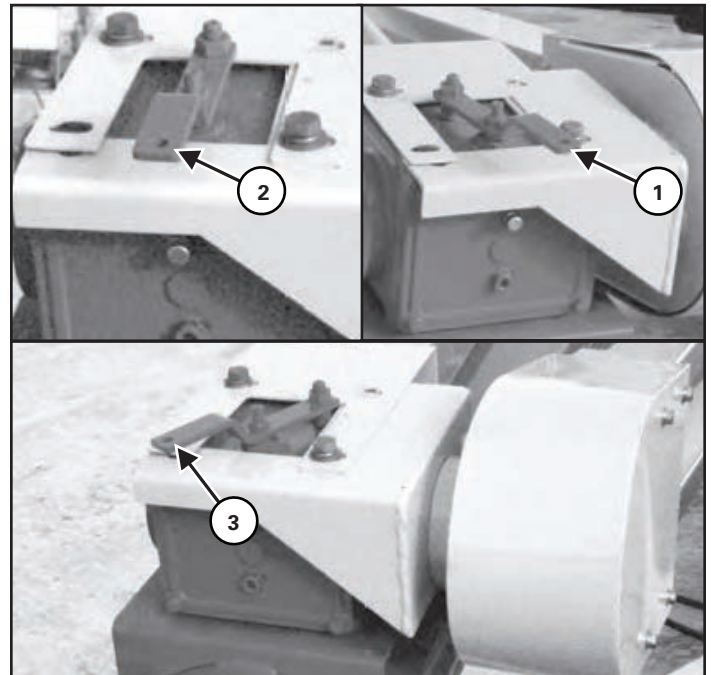
Move the lever (Item 3) [Figure 106] away from the engine to disengage the drive system.

Always lock the lever in either engaged or disengaged position.

!	IMPORTANT
<p>Review the engine manufacturer's operator manual for proper engine operation procedure.</p>	

Shiftable Gearbox

Figure 107



Shiftable gearboxes are equipped with three settings.

Normal Setting (Item 1) [Figure 107]

The flighting moves material from the intake to the discharge spout. This setting should be used for normal operation.

Neutral Setting (Item 2) [Figure 107]

The flighting is stopped.

Reverse Setting (Item 3) [Figure 107]

The flighting will reverse and move any material in the tube to the intake.

!	IMPORTANT
<p>Always disengage power before shifting.</p> <p>It may be necessary to manually turn the intake slightly to allow the internal gears to mesh.</p>	

FIELD OPERATION

Working Position

Review the pre-operation checklist (see Pre - Operation Checklist on **page 67**).

Move the equipment to work area (see Hitching / Unhitching on **page 70**).

Clear the area of bystanders, especially small children, before starting.

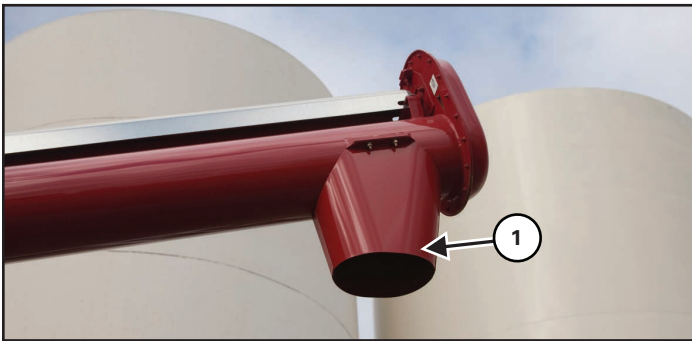
Review the Workplace Hazards schematics [**Figure 109**] and [**Figure 110**].

Use extra care when inside the hazard area. Keep all spectators and bystanders out of this area. Stop the machine immediately if anyone enter this area.

Back the machine up to the storage facility while it is in its lowered configuration.

Use the hydraulic or manual winch to slowly raise the machine into position (see Raising / Lowering Auger on **page 72**).

Figure 108



Slowly back the machine until the discharge spout (Item 1) [**Figure 108**] is over the opening in the storage facility.

Use the hydraulic or manual winch to slowly lower the discharge end of the machine until it is just above the storage facility.

Figure 109

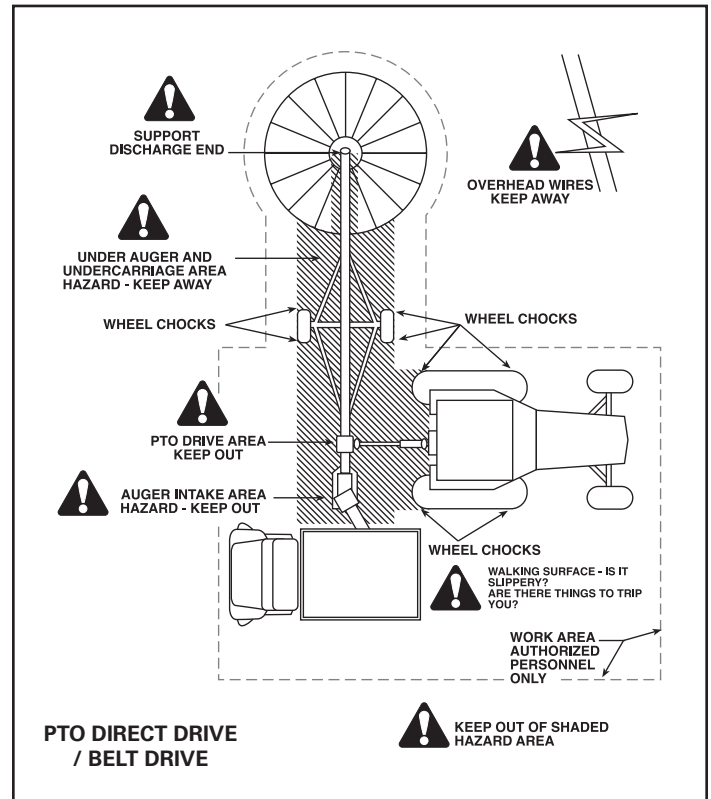
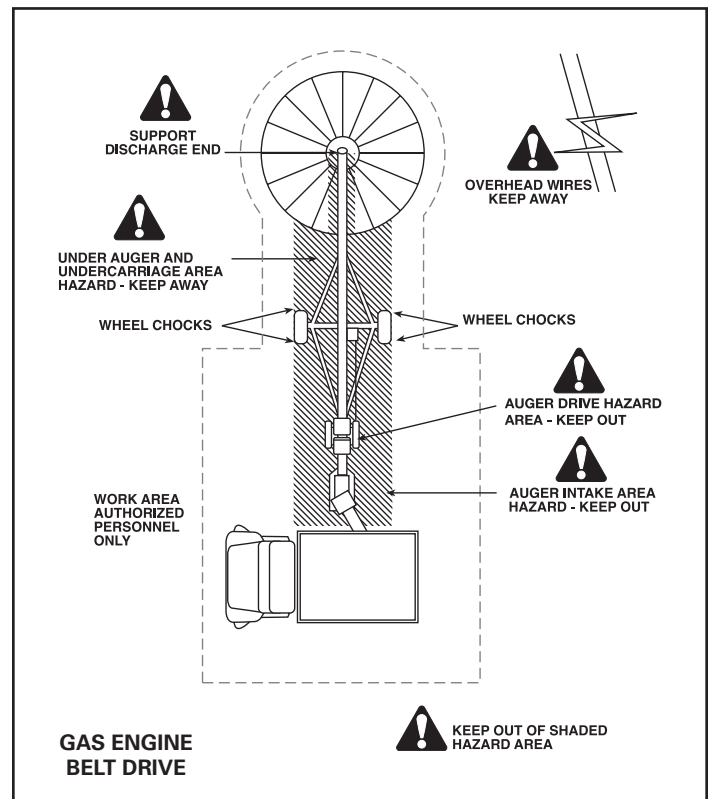


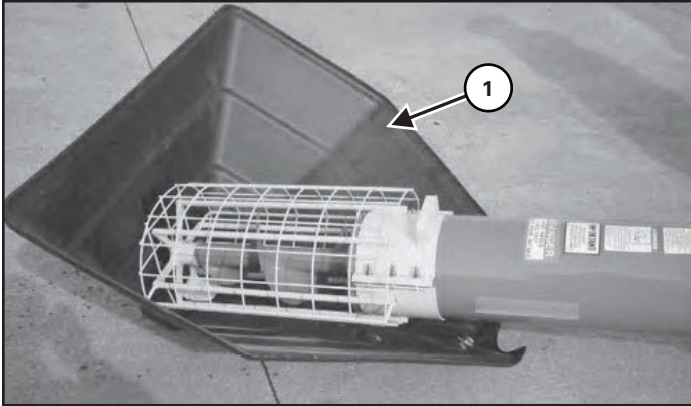
Figure 110



Place chocks in the front and rear of each wheel.

Unhook the unit from the tractor or towing vehicle (see Hitching / Unhitching Auger on **page 70**).

Figure 111



Raise the intake end slightly and slide the optional plastic hopper (Item 1) [Figure 111] under the intake. Nest the intake flighting frame in the bottom of the hopper.

!	IMPORTANT
<p>Make sure the tube does not rest on the storage facility, to prevent auger or storage facility damage.</p>	

Disconnect hydraulic hoses if equipped with hydraulic winch.

Connect the PTO driveline if equipped (see PTO Belt Drive / Direct Drive on **page 73**).

Engage the gas engine drive system (See Gas Engine Belt Drive on **page 74**).

!	IMPORTANT
<p>Position tractor to ensure U joint working angles are equal (15 degrees or less is recommended) and that PTO shaft is retracted enough to prevent disengagement of PTO.</p>	

Auger Operation

PTO Models:

1. Place all controls in neutral.
2. Start tractor and run at low idle.
3. Slowly engage the PTO clutch.
4. Start the flow of material and unload.
5. Increase engine speed to a rated PTO speed of 540 rpm.
6. Stop unloading.
7. Run until the auger is empty.
8. Reduce engine speed to low idle.
9. Disengage PTO clutch.
10. Shut off engine and remove ignition key.

Gas Engine Model:

1. Disengage auger drive.
2. Move the throttle to its mid-range position.
3. Close the choke if the engine is cold or if the unit has not been run for a while.
4. Turn the ignition key clockwise to start the engine. Release the key when the engine starts.
5. Run for 2-3 minutes to allow the engine to warm.
6. Engage the auger drive.
7. Start the flow of material and unload.
8. Increase engine speed to maximum rpm.
9. Stop unloading.
10. Run until the auger is empty.
11. Move the throttle to its 1/4 position.
12. Disengage auger drive.
13. Shut off engine and remove ignition key.

NOTE: The hydraulic or manual winch can set the auger tube angle at any position between 15° and 60° when operating. Although the machine will continue to move material through the tube, it will have greater capacity at a lower angle.

TRANSPORTING

Always comply with federal, state, local and provincial laws regarding the transport of farm equipment on public roadways.

	IMPORTANT
Do not exceed 20 mph (32 kph).	

	WARNING
Use of an unapproved hitch or tractor / tow vehicle can result in loss of control, leading to serious injury or death.	
Tractor / tow vehicle and hitch must have the rated capacity to tow equipment.	

Verify that the tractor / tow vehicle is approved for transporting the equipment and that the equipment is securely attached to the tractor / tow vehicle.

Verify safety chain is installed and properly connected before transporting equipment.

Verify that the SMV (Slow Moving Vehicle) emblem, all lights and reflectors are clean and visible.

Enter the operator's position, start the engine and release the parking brake.

Engage the tractor hydraulics (see the tractor's operator's manual for the correct procedure).

Fully raise the toolbar into transport position.

	IMPORTANT
8" CX2 Models: Tube mounted electric motor must be removed prior to transportation.	

	WARNING
AVOID SERIOUS INJURY OR DEATH	
DO NOT transport loaded equipment on public roadways. Excess weight will greatly increase tractor stopping distance and may cause the operator to lose control of the tractor or tow vehicle.	

The ratio of the tractor / tow vehicle weight to the loaded equipment weight plays an important role in defining acceptable travel speed.

TRAVEL SPEED - Acceptable travel speed.

WEIGHT RATIO - Weight of fully equipped or loaded implement(s) relative to weight of tractor / tow vehicle.

Maximum Travel Speed	Weight Ratio
20 mph (32 kph)	Less than 1 to 1
10 mph (16 kph)	Less than 2 to 1
DO NOT TOW	More than 2 to 1

Farm King



MAINTENANCE


TROUBLESHOOTING.....	79
Chart.....	79
SERVICE SCHEDULE.....	80
Maintenance Intervals.....	80
LUBRICATION.....	81
Recommendations.....	81
BELT DRIVE TENSION.....	81
Gas Engine Belt Drive Tension.....	81
PTO Belt Drive Tension.....	82
PTO BELT DRIVE BEARING COLLAR.....	82
GEARBOX OIL.....	83
AXLES.....	83
Wheel Bolt Torque.....	83
Tire / Wheel Replacement.....	83
Tire Pressure.....	84
STORAGE AND RETURN TO SERVICE.....	85
Storage.....	85
Return To Service.....	85
SAFETY SIGN (DECAL) INSTALLATION.....	85
Procedure.....	85

Farm King



TROUBLESHOOTING

Chart

	<h1>WARNING</h1>
<p>Instructions are necessary before operating or servicing equipment. Read and understand the Operator And Parts Manual and safety signs (decals) on equipment. Follow warnings and instructions in the manuals when making repairs, adjustments or servicing. Check for correct function after adjustments, repairs or service. Untrained operators and failure to follow instructions can cause injury or death.</p>	

NOTE: If a problem is encountered that is difficult to solve, even after having read through this troubleshooting section, please call your local Farm King dealer. Before you call, please have this Operator And Parts Manual and the serial number of your machine at hand.

PROBLEM	CAUSE	CORRECTION
Auger will not run.	No power.	Move engage / disengage lever into position.
		Start gas engine or tractor and engage control.
	Drive belt loose.	Adjust drive belt tension.
	No fuel.	Refuel gas engine or tractor.
	Broken shear bolt.	Replace shear bolt.
Low capacity.	Auger frame angle is too steep.	Reposition to lower tube slope angle.
	Drive belt slipping.	Adjust drive belt tension.
	Incorrect speed.	Increase speed to rated rpm.
	Low volume.	Keep hopper full.
Flighting won't turn.	Seized bearing.	Replace damaged bearing.
	Flighting jammed.	Remove any foreign objects jammed in the flighting area.

SERVICE SCHEDULE

Maintenance Intervals

Maintenance work must be done at regular intervals. Failure to do so will result in excessive wear and early failures. The service schedule is a guide for correct maintenance of the equipment.

	WARNING
---	---------

Instructions are necessary before operating or servicing equipment. Read and understand the Operator and Parts Manual and safety signs (decals) on equipment. Follow warnings and instructions in the manuals when making repairs, adjustments or servicing. Check for correct function after adjustments, repairs or service. Untrained operators and failure to follow instructions can cause injury or death.

#	DESCRIPTION	SERVICE PROCEDURES					
		Check	Clean	Lube	Change	Cover	Repack
Daily Maintenance (or every 8 hours)							
1	PTO Jack Shaft			•			
2	PTO Shaft			•			
Weekly (or every 50 hours)							
3	Gearbox Oil Level (Standard)	•					
4	Gearbox Oil Level (Shiftable)	•					
5	PTO Drive Belt Tension	•					
6	Gas Engine Drive Belt Tension	•					
Every 100 hours							
7	Sprocket/Chain Drive			•			
8	Hydraulic Winch Gearbox	•					
Annually (or every 400 hours)							
11	Wheel Bearings						•
12	Machine		•				
Two Years (or every 400 hours)							
13	Gearbox Oil (Standard)				•		
14	Gearbox Oil (Shiftable)				•		
15	Gearbox Oil (Hydraulic Winch)				•		

LUBRICATION

Recommendations

Always use a good quality multi-purpose / lithium base grease when lubricating the equipment.

- Always use a hand-held grease gun.
- Clean fitting before greasing, to avoid injecting dirt and grit.
- Replace and repair broken fittings immediately.
- If fittings will not take grease, remove and clean thoroughly. Replace fitting if necessary.



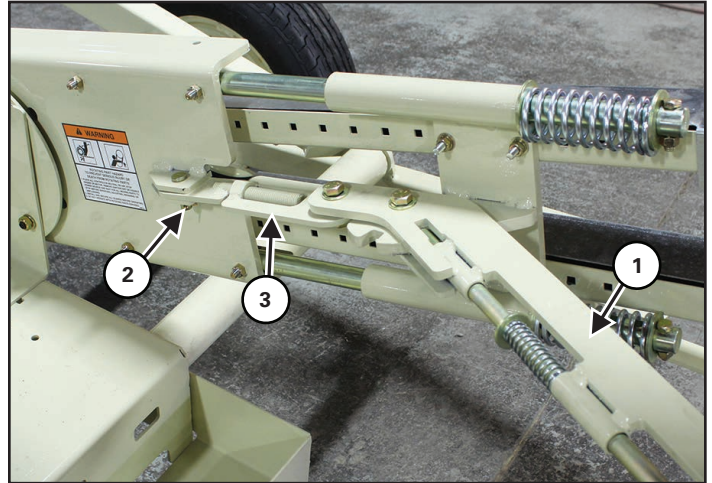
IMPORTANT

Fluid such as engine oil, hydraulic fluid, coolants, grease, etc. must be disposed of in an environmentally safe manner. Some regulations require that certain spills and leaks on the ground must be cleaned in a specific manner. See local, state and federal regulations for the correct disposal.

BELT DRIVE TENSION

Gas Engine Belt Drive Tension

Figure 112



Adjust the belt drive tension.

Move the engagement lever (Item 1) [Figure 112] to the disengaged position.

Remove the anchor pin (Item 2) [Figure 112] on the adjustable turnbuckle.

Extend turnbuckle (Item 3) [Figure 112] to increase belt tension and shorten to decrease tension.

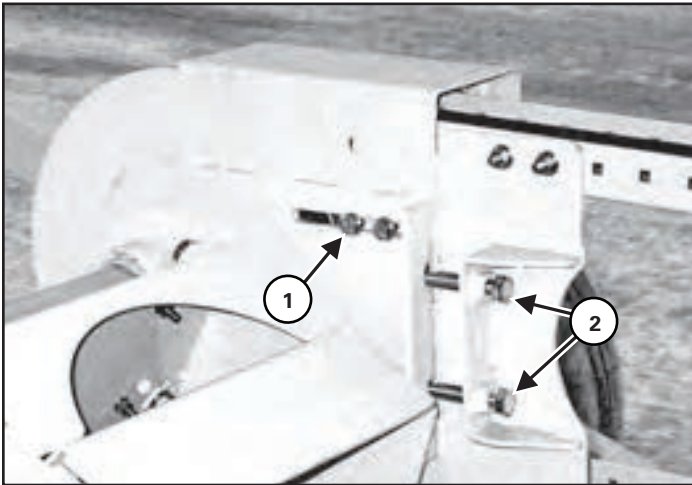
Reinstall turnbuckle and secure with anchor pin and retainer.

Engage and disengage drive to check tension.

Do not over tighten.

PTO Belt Drive Tension

Figure 113



Adjust the belt drive tension.

Remove the upper and lower covers from the belt tray.

Check the belt tension. Belts should be tight.

Loosen pulley assembly anchor bolts (Item 1). Loosen jam nuts on position bolts (Item 2) [Figure 113].

Use the pulley assembly position bolts (Item 2) to move the drive pulley into its required position. Tighten jam nuts on position bolts (Item 2) [Figure 113].

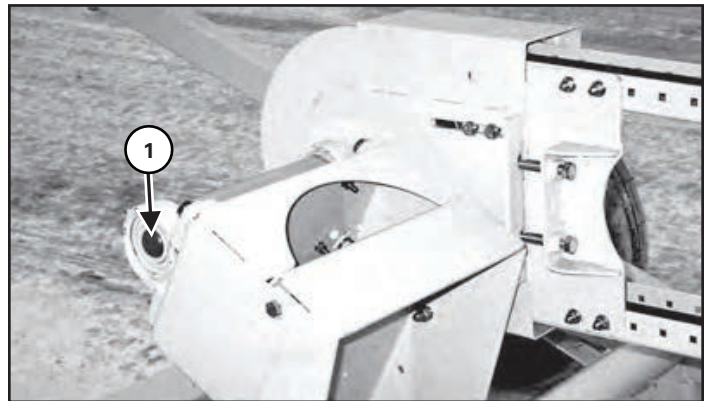
Check belt tension and readjust if necessary.

Tighten pulley assembly anchor bolts (Item 1) [Figure 113] to their specified torque.

Install and secure guards over the top of the drive belt.

PTO BELT DRIVE BEARING COLLAR

Figure 114

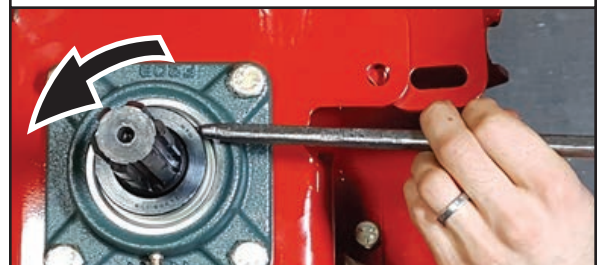


Tighten the bearing collar (Item 1) [Figure 114].



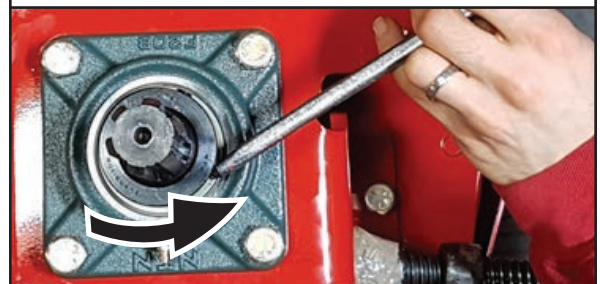
IMPORTANT

CORRECT



Tighten the bearing collar in the direction of shaft rotation.

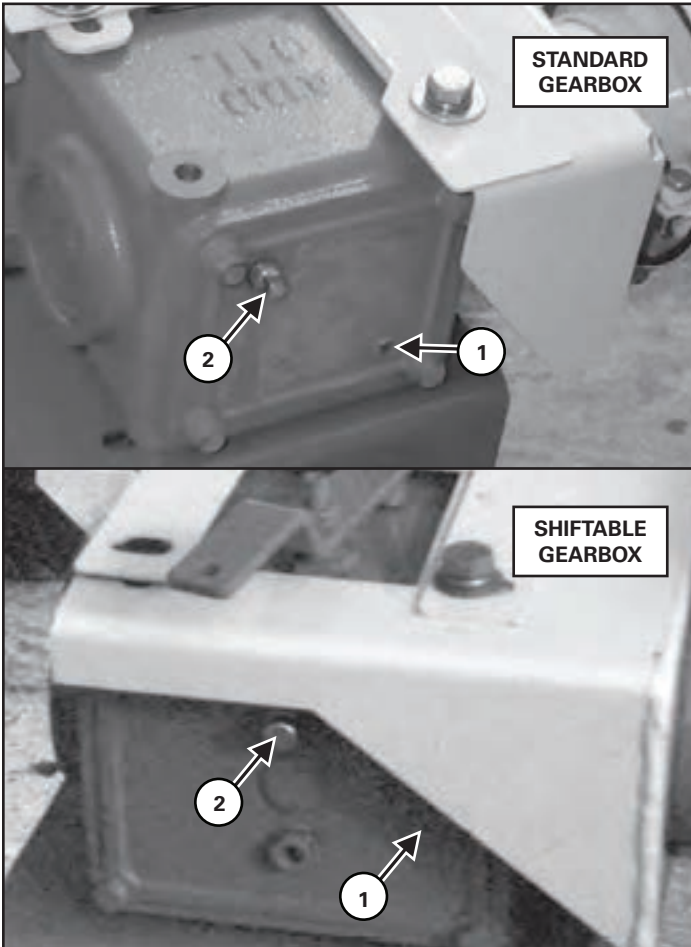
INCORRECT



Bearing collars depicted do not show exact PTO belt drive components, but procedure is correct.

GEARBOX OIL

Figure 115



Check the gearbox oil level.

Remove the drain plug (Item 1) [Figure 115] from the side of the gearbox.

Oil level should be just touching the threads.

Add oil through the fill plug (Item 2) [Figure 115] as required.

Reinstall drain and fill plugs.

Use SAE 80W90 synthetic oil.

AXLES

Wheel Bolt Torque

	<h1>IMPORTANT</h1>
---	--------------------

Check Wheel Nuts After:

1. First 3 (three) hours of field operation.
2. First 10 (ten) hours of field operation.
3. First 50 (fifty) hours of field operation.
4. Every 200 (two hundred) hours of operation.

REPEAT PROCEDURE IF A WHEEL IS REMOVED OR REINSTALLED

Torque wheel bolts to 72 ft-lbs.

Tighten wheel bolts in a criss-cross pattern.

Tire / Wheel Replacement

Periodically check tires for cuts, bulges and damaged rims.

	<h1>WARNING</h1>
---	------------------

AVOID INJURY OR DEATH

Before you leave the operator's position:

- Always park on a flat level surface.
- Place all controls in NEUTRAL.
- Engage the park brake.
- Stop the engine and remove the key.
- Wait for all moving parts to stop.

Park the tractor / equipment on a flat level surface.

Place all controls in neutral, engage the park brake, stop the engine and wait for all moving parts to stop. Leave the operator's position.

	WARNING
AVOID INJURY OR DEATH	
Always check tires before performing any maintenance or service.	

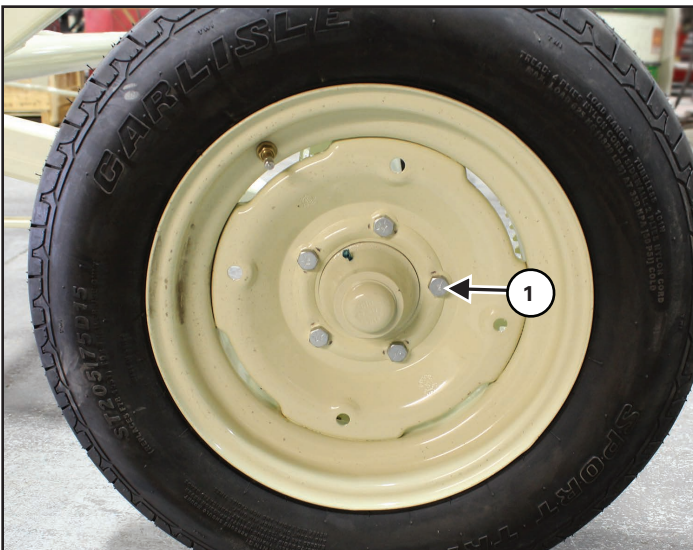
Place chock blocks behind and in front of the opposite tire to be removed.

Raise axle frame with jack until the tire / wheel is slightly off the ground.

NOTE: Place blocks / stands under the frame to secure the equipment when tire / wheel is raised off the ground.

Remove the ten wheel nuts and tire assembly.

Figure 116



Install the new tire with the valve stem facing out.

Reinstall five wheel bolts (Items 1) **[Figure 116]**. Tighten wheel bolts in a criss-cross pattern.



Tighten wheel bolts to proper torque.

Torque wheel bolts to 72 ft-lbs.

Lower tire / wheel assembly to the ground.

After tightening the wheel bolts, pull the equipment approximately one (1) mile and re-tighten the wheel bolts to proper torque.

Tire Pressure

	CAUTION
	
When inflating tires, use a clip-on chuck and extension hose long enough to allow you to stand to one side and NOT in front of or over the tire assembly.	

Check tire pressure daily. Fill tires per tire manufacturer's recommendation. See side wall of tire for inflation requirements.

STORAGE AND RETURN TO SERVICE

Storage

Sometimes it may be necessary to store the equipment for an extended period of time. Below is a list of items to perform before storage.



IMPORTANT

DO NOT permit children to play on or around the stored machine.

- Thoroughly wash the machine with a pressure washer or water hose to remove all dirt, mud, debris or residue.
- Lubricate all bushings to remove any water residue from washing.
- Remove any material that has become entangled around any moving part.
- Inspect the hitch and all welds on the equipment for wear and damage.
- Check for loose hardware, missing guards, or damaged parts.
- Check for damaged or missing safety signs (decals). Replace if necessary.
- Replace worn or damaged parts.
- Touch up all paint nicks and scratches to prevent rusting.
- Place the equipment in a dry protected shelter.

NOTE: If a dry protected shelter is not available, cover with a waterproof tarp and tie down securely.

- Support the jack / frame with planks if required.

Return To Service

After the equipment has been in storage, it is necessary to follow a list of items to return the equipment to service.

- Be sure all shields and guards are in place.
- Lubricate the equipment.
- Connect to a tractor and operate equipment, verify all functions operate correctly.
- Check for leaks. Repair as needed.

SAFETY SIGN (DECAL) INSTALLATION

Procedure



IMPORTANT

When replacing safety signs (decals), the temperature must be above 10° C (50° F).

- Remove all portions of the damaged safety sign (decal).
- Thoroughly clean the area with adhesive remover and glass cleaner. Remove all adhesive residue.
- Allow the area to dry completely before installing the new safety sign (decal).
- Position the safety sign (decal) in the correct location.
- Remove a small portion of the backing paper on the safety sign (decal).
- Press on the safety sign (decal) where the backing paper has been removed.
- Slowly remove the remaining backing paper, pressing on the safety sign (decal) as the backing paper is removed.
- Using the backing paper, pressing firmly, move the backing paper over the entire safety sign (decal) area.

NOTE: Small air pockets can be pierced with a pin and smoothed out using the piece of the backing paper.

Farm King



PARTS IDENTIFICATION

GENERAL PARTS INFORMATION..... 90

PIVOT PULLEY HOLDER..... 90

INTERMEDIATE PULLEY HOLDER - 61 FT..... 92

TRACK ROLLER PULLEY - 41 FT., 51 FT..... 94

TRACK ROLLER PULLEY - 61 FT..... 96

UNDERCARRIAGE - 41 FT..... 98

UNDERCARRIAGE - 51 FT..... 100

UNDERCARRIAGE - 61 FT..... 102

WHEEL & HUB..... 104

TUBES - 841 DIRECT DRIVE..... 106

TUBES - 841 BELT DRIVE..... 108

TUBES - 1041 DIRECT DRIVE..... 110

TUBES - 1041 BELT DRIVE..... 112

TUBES - 851 DIRECT DRIVE..... 114

TUBES - 851 BELT DRIVE..... 116

TUBES - 1051 DIRECT DRIVE..... 118

TUBES - 1051 BELT DRIVE..... 120

TUBES - 861 DIRECT DRIVE..... 122

TUBES - 1061 DIRECT DRIVE..... 124

TUBES - 1061 BELT DRIVE..... 126

TOP SECTION - 841, 851, 861 DIRECT DRIVE..... 128

TOP SECTION - 841, 851, 861 BELT DRIVE..... 130

TOP SECTION - 1041, 1051, 1061 DIRECT DRIVE..... 132

TOP SECTION - 1041, 1051 BELT DRIVE..... 134

BOTTOM SECTION - 841, 1041..... 136

BOTTOM SECTION - 851..... 137

BOTTOM SECTION - 1051..... 138

BOTTOM SECTION - 861.....	139
BOTTOM SECTION - 1061.....	140
BELT DRIVE - 841, 851 PTO.....	142
BELT DRIVE - 1041, 1051, 1061 PTO.....	146
BELT DRIVE - ENGINE MOUNT.....	150
WINCH MECHANICAL.....	154
WINCH HYDRAULIC.....	156
GEARBOX - 841, 851, 861.....	158
GEARBOX SHIFTABLE - 841, 851, 861.....	160
GEARBOX - 1041, 1051, 1061.....	162
GEARBOX SHIFTABLE - 1041, 1051, 1061.....	164
PTO & SHIELD - 8 IN.....	166
PTO & SHIELD - 10 IN.....	168

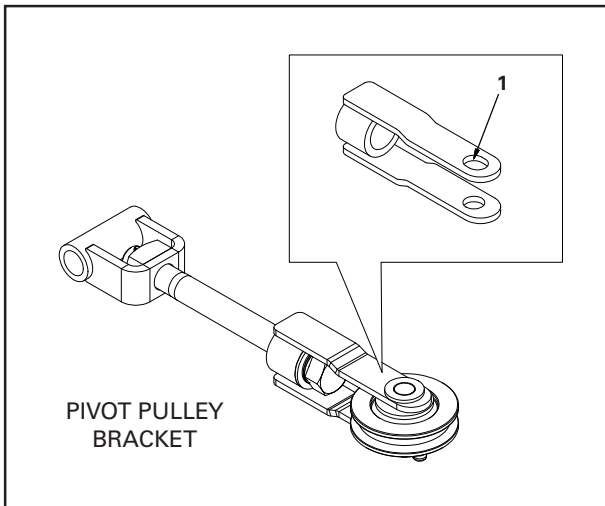
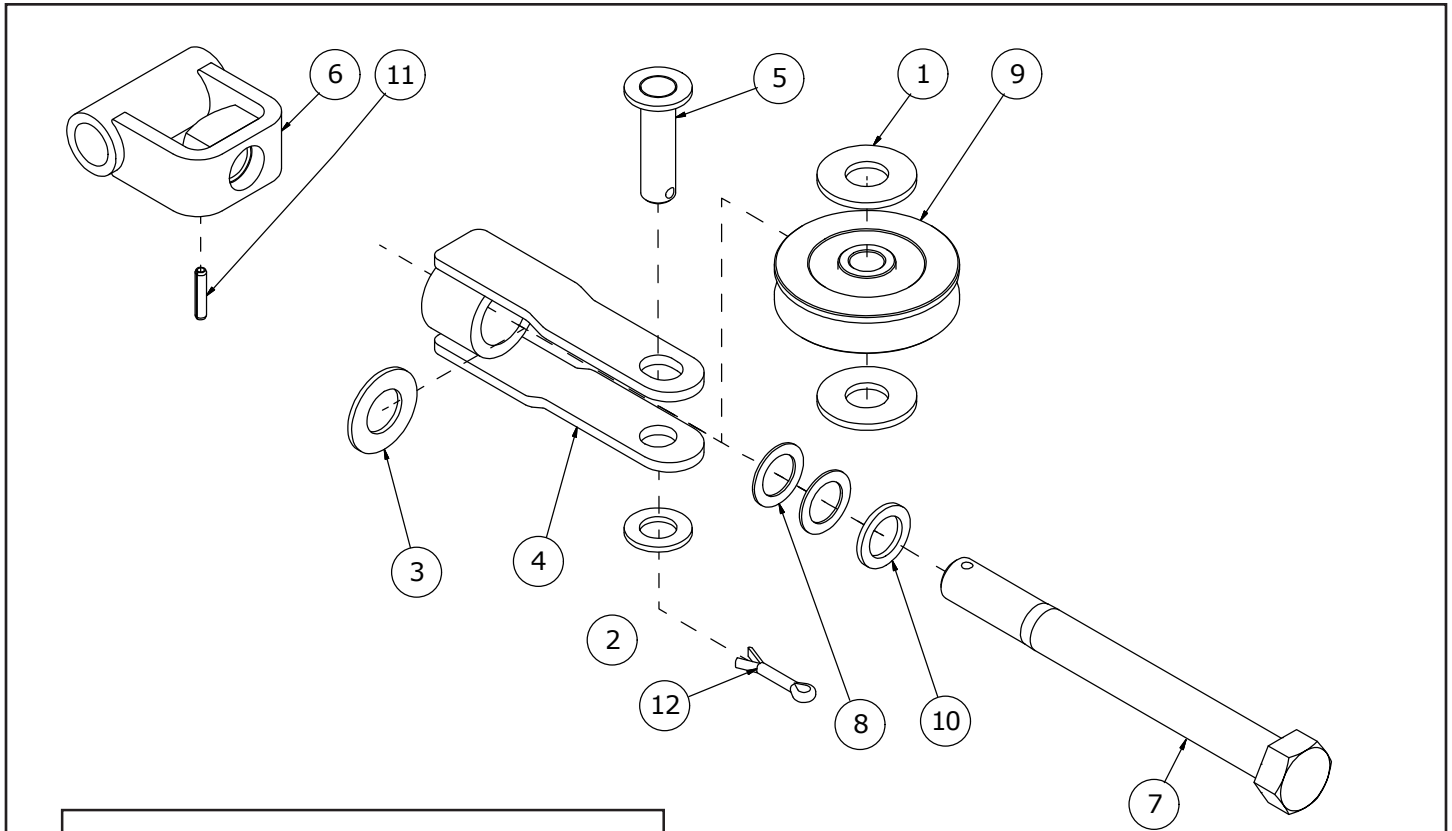
Farm King



GENERAL PARTS INFORMATION

The parts identification section list descriptions, part numbers and quantities for all North America Base Model CX2 Series Augers. Contact your Farm King dealer for additional parts information.

PIVOT PULLEY HOLDER



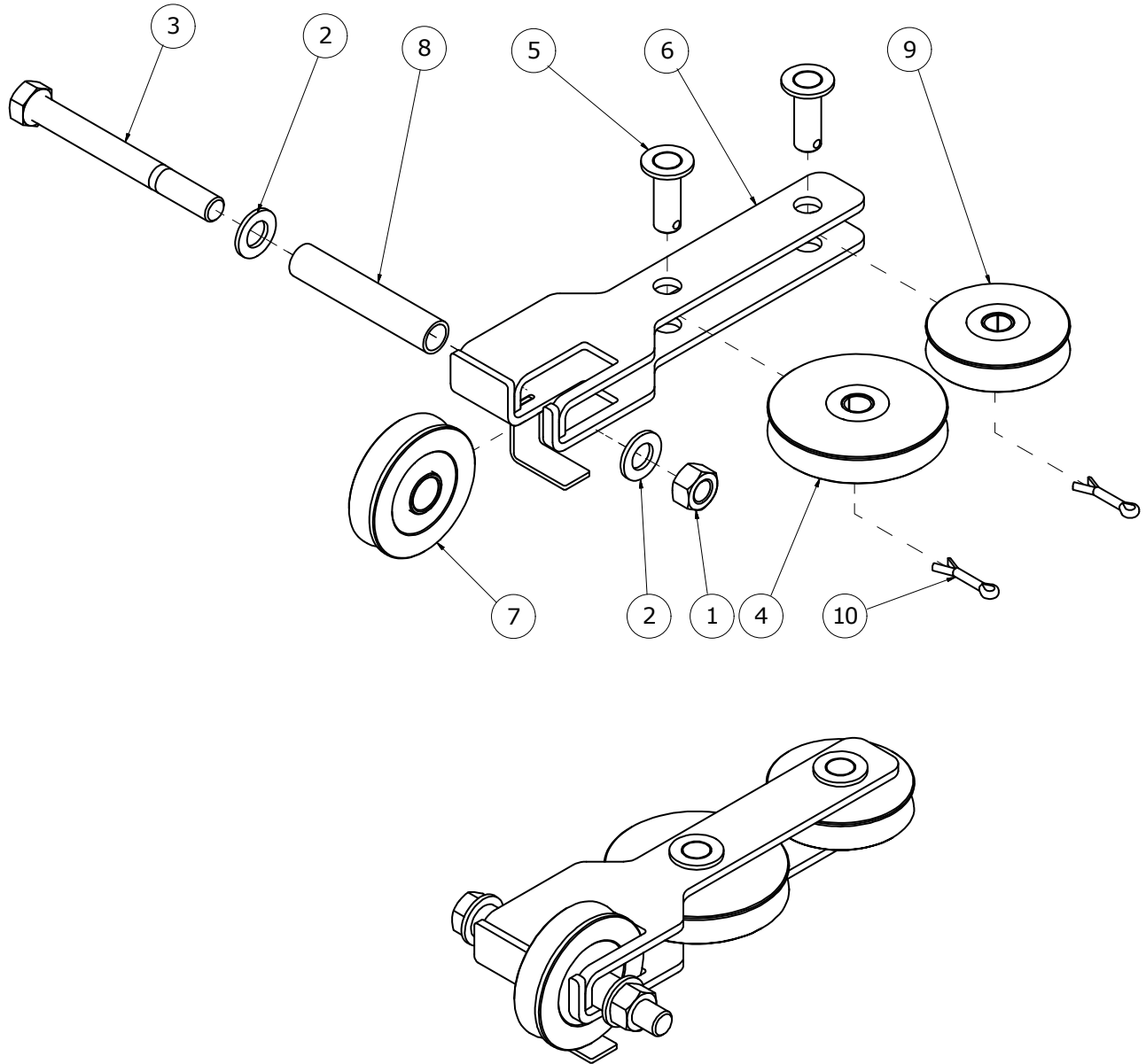
Position the slotted hole of the pivot pulley bracket facing left, to the side opposite the winch.

The pivot pulley will angle toward the winch once tension is applied to the cable.

I913574

ITEM	PART NUMBER	DESCRIPTION	QTY.
1	81972	7/8" SAE WASHER	2
2	84050	3/4" S.A.E. FLAT WASHER (PL)	1
3	84522	1" ID SAE FLAT WASHER (PL)	1
4	912966	PULLEY HOLDER (ROTATION)	1
5	913331	PIN WELDT (3/4 OD X 2-7/8)	1
6	913575	PULLEY PIVOT WELDMENT	1
7	913577	1" X 10" HEX BOLT (PL) W/ PIN HOLE	1
8	913578	BRONZE THRUST BEARING 1" ID X 1-1/2 OD	2
9	915604	PULLEY-CABLE 4"OD X 3/4"ID	1
10	967140	1" X 10GA NARROW RIM WASH (PL)	1
11	9812425	1/4" X 1-1/4" SPRING PIN (PL)	1
12	9812434	1/4" X 1-1/2" COTTER PIN (PL)	1

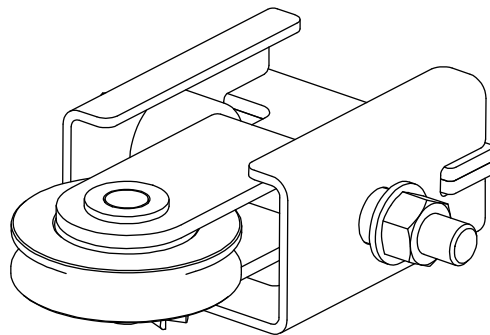
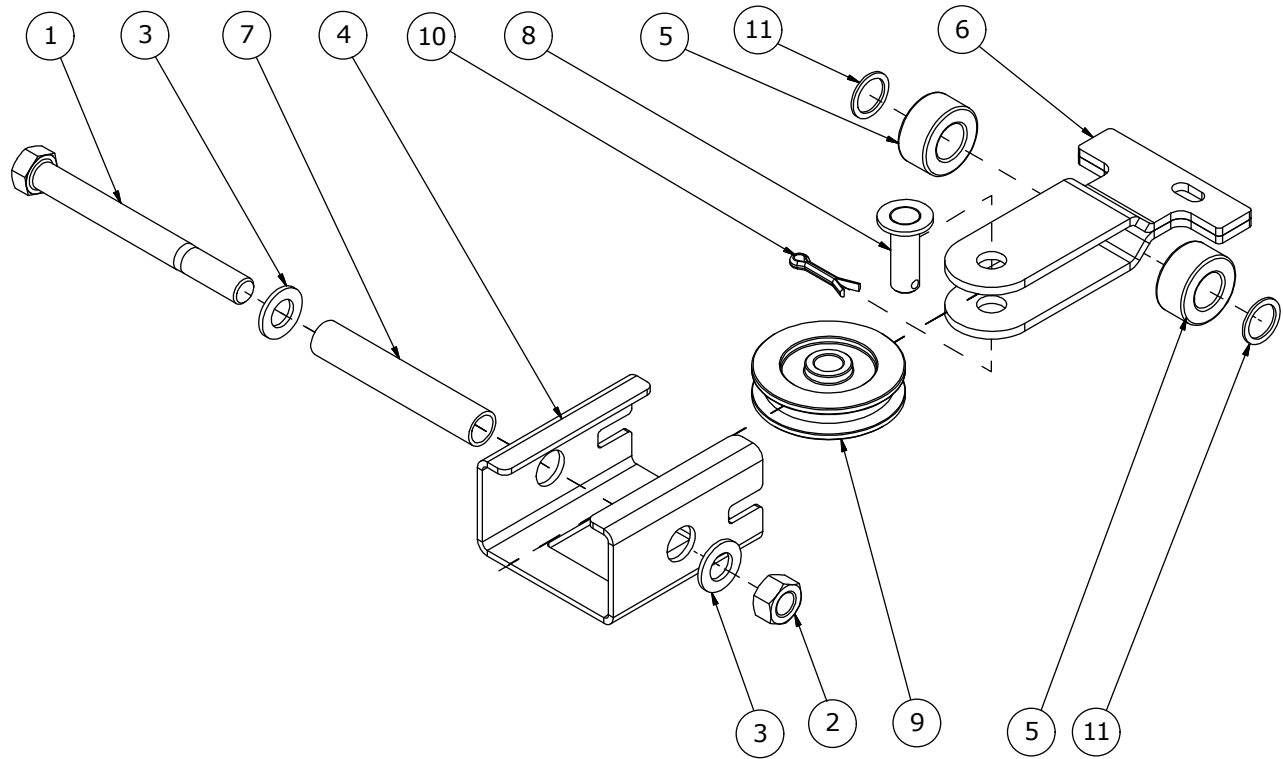
INTERMEDIATE PULLEY HOLDER - 61 FT.



915812

ITEM	PART NUMBER	DESCRIPTION	QTY.
1	812365	3/4" LOCK NUT (PL)	1
2	84050	3/4" S.A.E. FLAT WASHER (PL)	2
3	902615	HEX BOLT-3/4 X 7" (PL)	1
4	913668	ASSY- PULLEY CABLE 5" OD X .75" BORE	1
5	913702	PIN WELDT (3/4 OD X 2-1/4)	2
6	915806	WELDT-INTERMEDIATE PULLEY HOLDER	1
7	915808	PULLEY-CABLE 4"OD X 1"ID	1
8	915841	BUSHING-INTMEDIATE PULLEY PIVOT	1
9	965907	PULLEY-CABLE 4" OD X .75" BORE	1
10	9812434	1/4" X 1-1/2" COTTER PIN (PL)	2

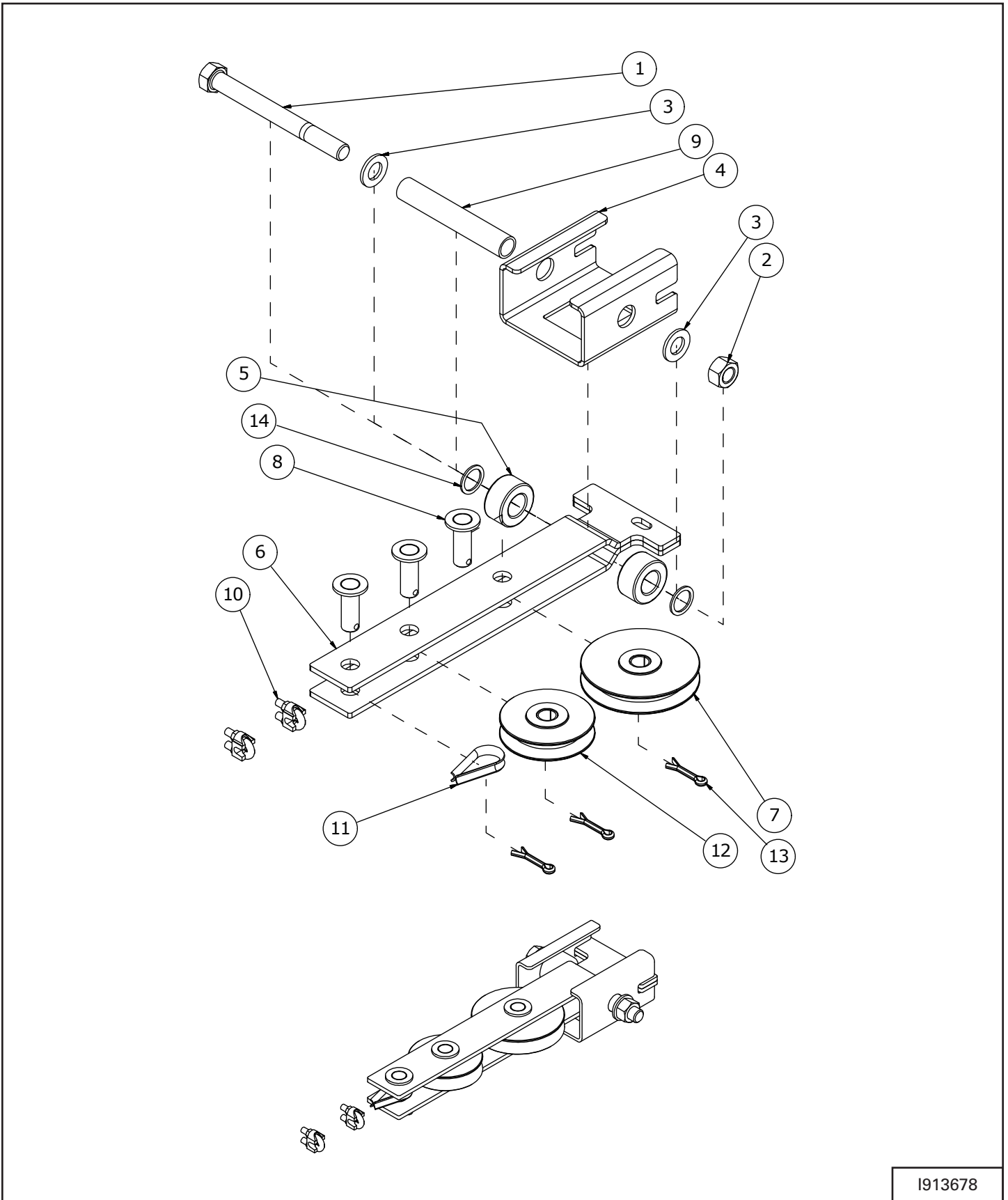
TRACK ROLLER PULLEY - 41 FT., 51 FT.



I913329

ITEM	PART NUMBER	DESCRIPTION	QTY.
1	811746	3/4" X 7.5" HEX BOLT	1
2	812365	3/4" LOCK NUT (PL)	1
3	84050	3/4" S.A.E. FLAT WASHER (PL)	2
4	912314	TRACK ROLLER FRAME	1
5	912315	TRACK ROLLER	2
6	912317	PULLEY HOLDER WELDMENT	1
7	912437	UNDERCARRIAGE PIVOT BUSHING	1
8	913702	PIN WELDT (3/4 OD X 2-1/4)	1
9	915604	PULLEY-CABLE 4"OD X 3/4"ID	1
10	9812434	1/4" X 1-1/2" COTTER PIN (PL)	1
11	9812438	1" I.D. X 14GA #8 NARROW RIM WASHER (PL)	2

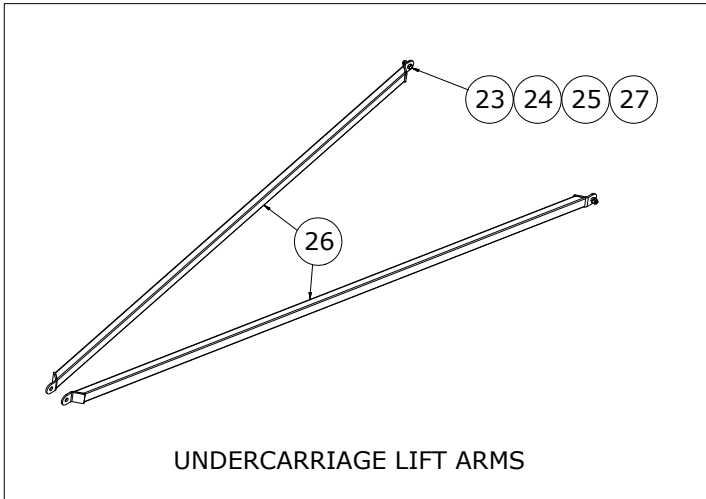
TRACK ROLLER PULLEY - 61 FT.



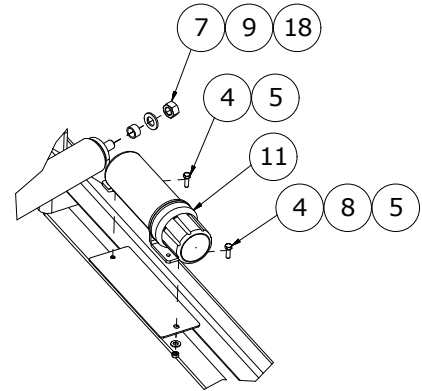
I913678

ITEM	PART NUMBER	DESCRIPTION	QTY.
1	811746	3/4" X 7.5" HEX BOLT	1
2	812365	3/4" LOCK NUT (PL)	1
3	84050	3/4" S.A.E. FLAT WASHER (PL)	2
4	912314	TRACK ROLLER FRAME	1
5	912315	TRACK ROLLER	2
6	912516	WELDT-PULLEY HOLDER DOUBLE SHEAVES	1
7	913668	ASSY- PULLEY CABLE 5" OD X .75" BORE	1
8	913702	PIN WELDT (3/4 OD X 2-1/4)	3
9	915693	UNDERCARRIAGE PIVOT BUSHING (61')	1
10	961763	5/16" CABLE CLAMP	2
11	964267	3/8" CABLE THIMBLES	1
12	965907	PULLEY-CABLE 4" OD X .75" BORE	1
13	9812434	1/4" X 1-1/2" COTTER PIN (PL)	3
14	9812438	1" I.D. X 14GA #8 NARROW RIM WASHER (PL)	2

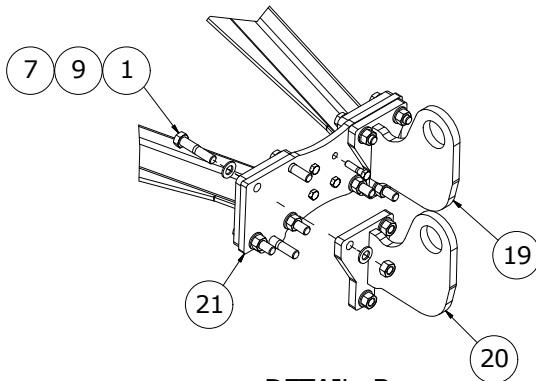
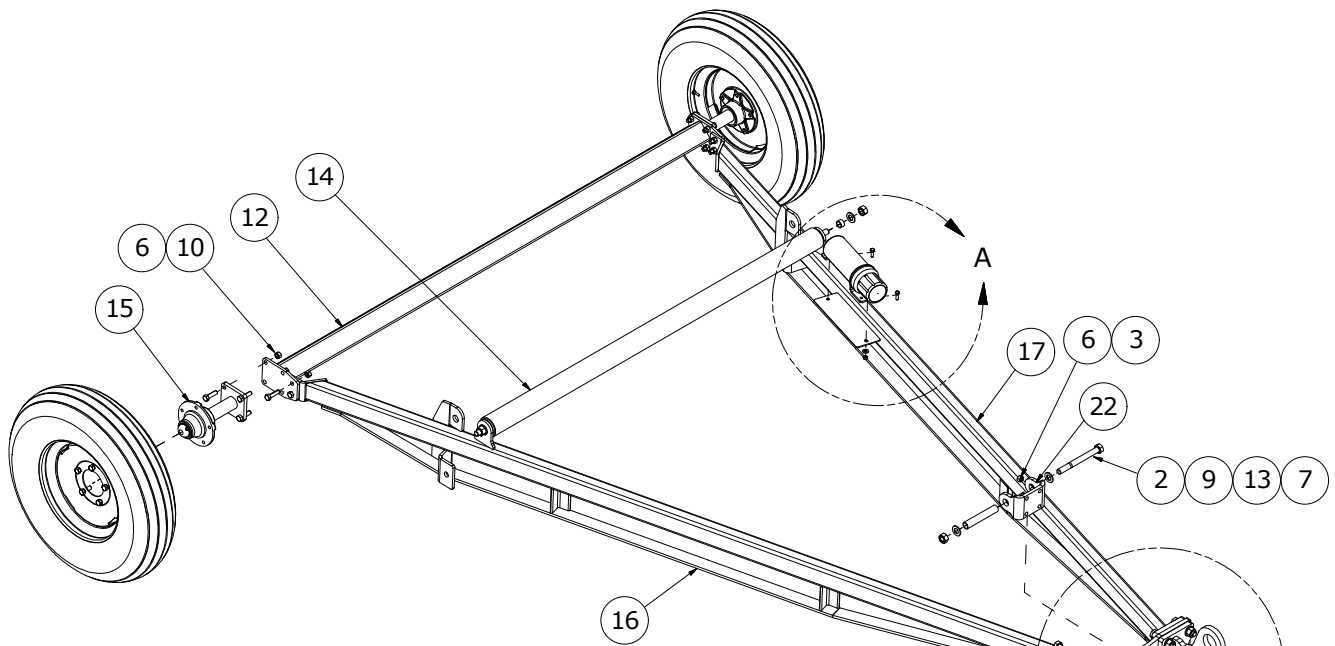
UNDERCARRIAGE - 41 FT.



UNDERCARRIAGE LIFT ARMS



DETAIL A

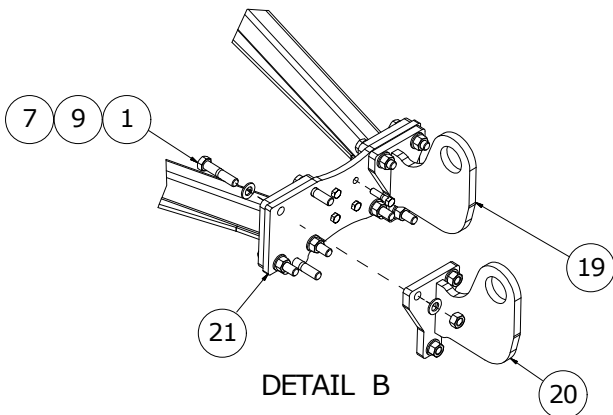
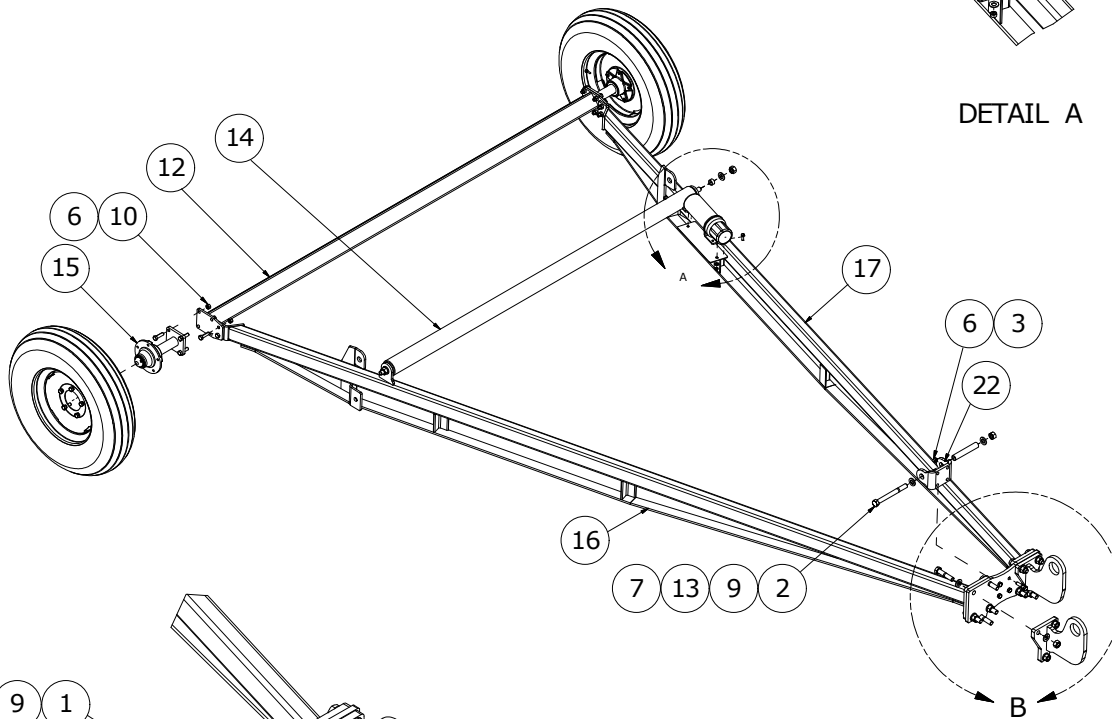
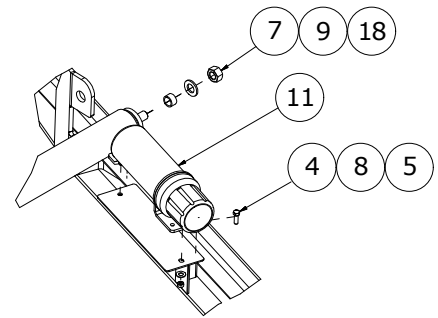
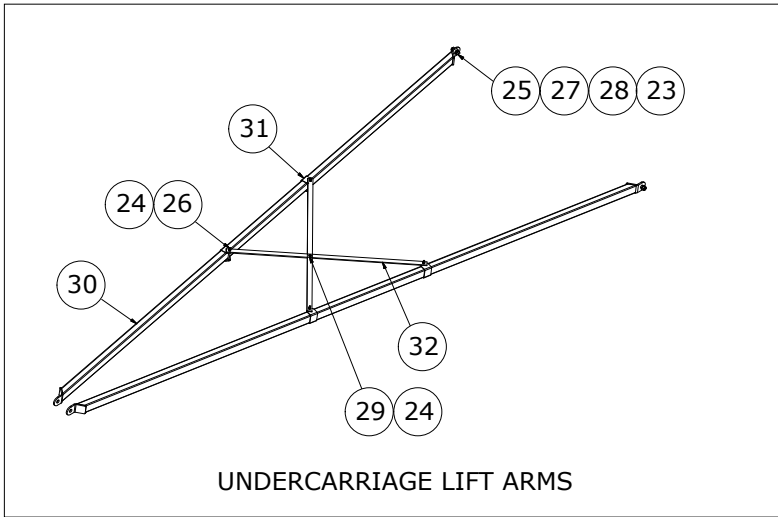


DETAIL B

928303

ITEM	PART NUMBER	DESCRIPTION	QTY.
1	810149	3/4" X 3-1/2" HEX BOLT (PL)	10
2	811746	3/4" X 7.5" HEX BOLT	1
3	811791	1/2" X 2" HEX BOLT (PL)	4
4	812026	5/16" X 1" HEX BOLT (PL)	2
5	812362	5/16" LOCK NUT (PL)	2
6	812364	1/2" LOCK NUT (PL)	16
7	812365	3/4" LOCK NUT (PL)	13
8	84039	3/8" FLAT WASHER (PL)	1
9	84050	3/4" S.A.E. FLAT WASHER (PL)	24
10	87553	1/2" X 1.75" HEX BOLT UNC GR5 (PL)	12
11	909277	MANUAL HOLDER 3 1/2" X 12"	1
12	912429	AXLE WELDMENT - 41'	1
13	912437	UNDERCARRIAGE PIVOT BUSHING 1.000" DIA	1
14	912947	CROSS BRACE WELDMENT - 41'	1
15	914663	ASSY-HUB & AXLE 5 BOLT	2
16	927213	UNDERCARR WELD - RH 41'	1
17	927216	UNDERCARRIAGE WELD - LH 41'	1
18	927318	UNDERCARRIAGE SPACER	2
19	927365	PIVOT BRACKET RH - 8" MODEL	1
	927363	PIVOT BRACKET RH - 10" MODEL	1
20	927366	PIVOT BRACKET LH - 8" MODEL	1
	927364	PIVOT BRACKET LH - 10" MODEL	1
21	927367L	PLATE SUPPORT	1
22	927374	CYLINDER ARM PIVOT BRT	1
23	812365	3/4" LOCK NUT (PL)	2
24	84050	3/4" S.A.E. FLAT WASHER (PL)	2
25	84467	3/4" X 2" HEX BOLT (PL)	2
26	912477	LIFT ARM WELDMENT 41'	2
27	912503	UNDERCARRIAGE SPACER	2

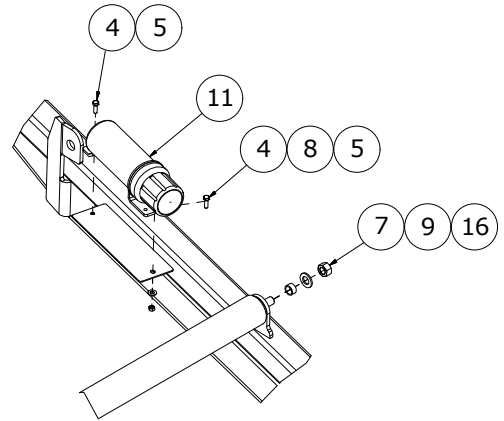
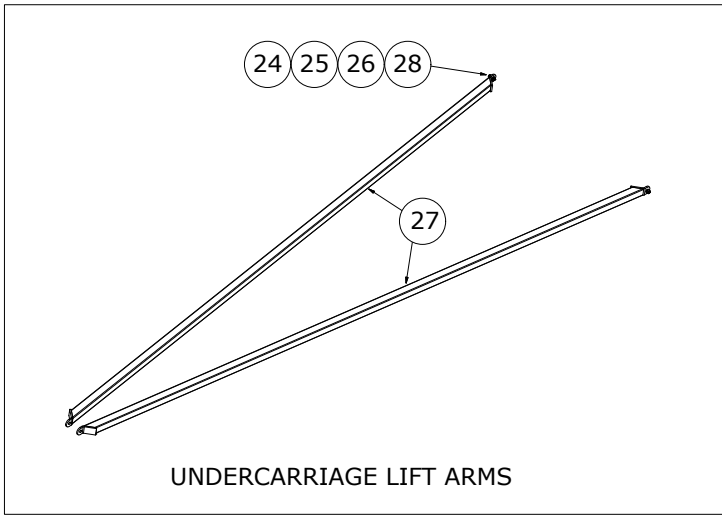
UNDERCARRIAGE - 51 FT.



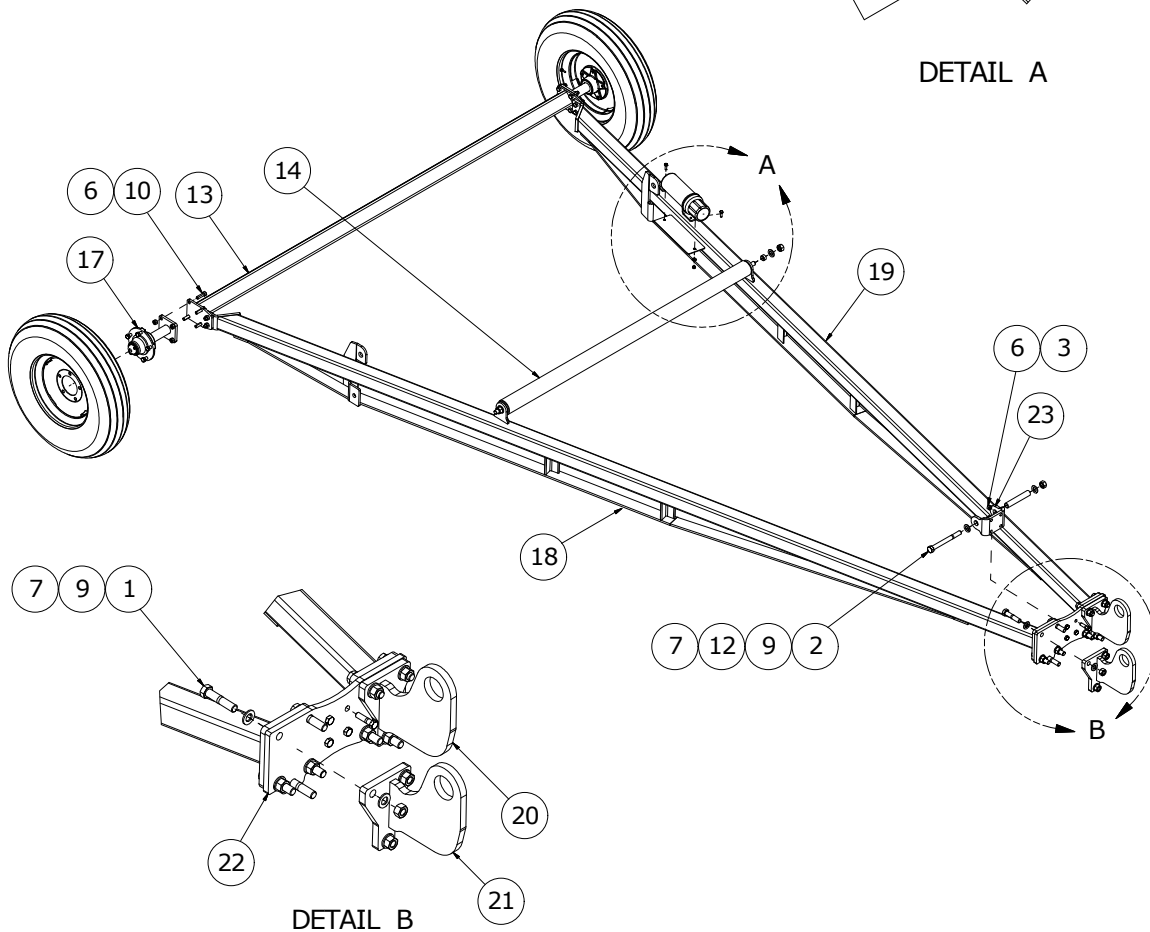
928285

ITEM	PART NUMBER	DESCRIPTION	QTY.
1	810149	3/4" X 3-1/2" HEX BOLT (PL)	10
2	811746	3/4" X 7.5" HEX BOLT	1
3	811791	1/2" X 2" HEX BOLT (PL)	4
4	812026	5/16" X 1" HEX BOLT (PL)	2
5	812362	5/16" LOCK NUT (PL)	2
6	812364	1/2" LOCK NUT (PL)	16
7	812365	3/4" LOCK NUT (PL)	13
8	84039	3/8" FLAT WASHER (PL)	2
9	84050	3/4" S.A.E. FLAT WASHER (PL)	24
10	87553	1/2" X 1.75" HEX BOLT UNC GR5 (PL)	12
11	909277	MANUAL HOLDER 3-1/2" X 12"	1
12	912430	AXLE WELDMENT 51'	1
13	912437	UNDERCARRIAGE PIVOT BUSHING 1.000" DIA	1
14	912448	CROSS BRACE WELDMENT 51'	1
15	914663	ASSY-HUB & AXLE 5 BOLT	2
16	927296	UNDERCARRIAGE WELDT - RH 51'	1
17	927297	UNDERCARRIAGE WELDT - LH 51'	1
18	927318	UNDERCARRIAGE SPACER	2
19	927365	PIVOT BRACKET RH - 8" MODEL	1
	927363	PIVOT BRACKET RH - 10" MODEL	1
20	927366	PIVOT BRACKET LH - 8" MODEL	1
	927364	PIVOT BRACKET LH - 10" MODEL	1
21	927367L	PLATE SUPPORT	1
22	927374	CYLINDER ARM PIVOT BRT	1
23	912503	UNDERCARRIAGE SPACER	2
24	812363	3/8" LOCK NUT (PL)	5
25	812365	3/4" LOCK NUT (PL)	2
26	81588	3/8" X 4-1/2" HEX BOLT (PL)	4
27	84050	3/4" S.A.E. FLAT WASHER (PL)	4
28	84467	3/4" X 2" HEX BOLT (PL)	2
29	86170	3/8" X 1" HEX BOLT GR.5 (PL)	1
30	912441	LIFT ARM WELDT 51'	2
31	912443	CROSS BRACE CLAMP	4
32	912444	CROSS BRACE	2

UNDERCARRIAGE - 61 FT.



DETAIL A

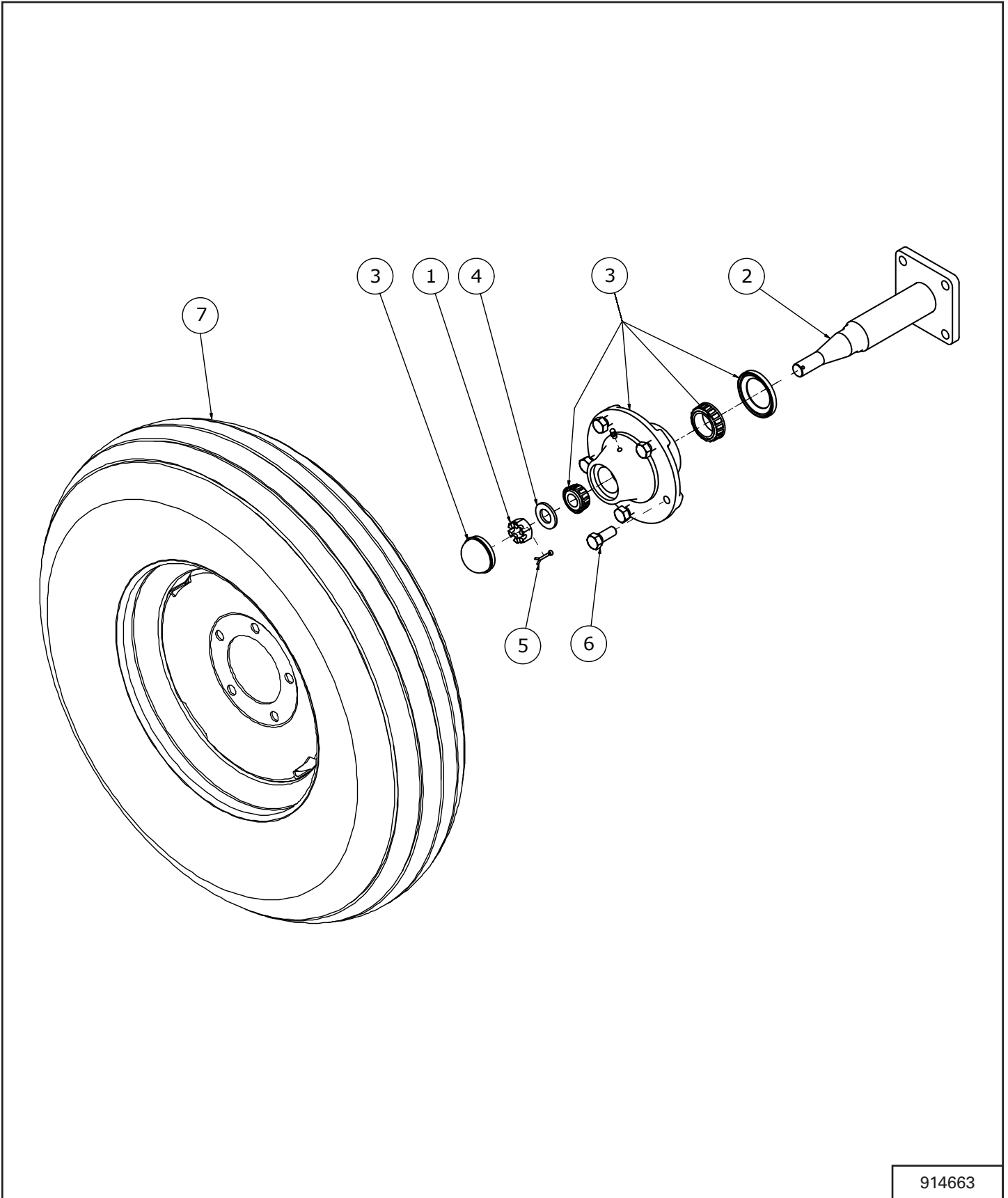


DETAIL B

928297

ITEM	PART NUMBER	DESCRIPTION	QTY.
1	810149	3/4" X 3-1/2" HEX BOLT (PL)	10
2	811746	3/4" X 7.5" HEX BOLT	1
3	811791	1/2" X 2" HEX BOLT (PL)	4
4	812026	5/16" X 1" HEX BOLT (PL)	2
5	812362	5/16" LOCK NUT (PL)	2
6	812364	1/2" LOCK NUT (PL)	16
7	812365	3/4" LOCK NUT (PL)	13
8	84039	3/8" FLAT WASHER (PL)	1
9	84050	3/4" S.A.E. FLAT WASHER (PL)	24
10	87553	1/2" X 1.75" HEX BOLT UNC GR5 (PL)	12
11	909277	MANUAL HOLDER 3-1/2" X 12"	1
12	912437	UNDERCARRIAGE PIVOT BUSHING 1.000" DIA	1
13	912487	AXLE WELDMENT 61'	1
14	912497	CROSS BRACE WELDMENT 61'	1
15	913667	CABLE-WINCH	1
16	913677	UNDERCARRIAGE SPACER 1.000" DIA	2
17	914663	ASSY-HUB & AXLE 5 BOLT	2
18	927147	UNDERCARRIAGE WELDT - RH 61'	1
19	927149	UNDERCARRIAGE WELDT - LH 61'	1
20	927365	PIVOT BRACKET RH - 8" MODEL	1
	927363	PIVOT BRACKET RH - 10" MODEL	1
21	927366	PIVOT BRACKET LH - 8" MODEL	1
	927364	PIVOT BRACKET LH - 10" MODEL	1
22	927367L	PLATE SUPPORT	1
23	927374	CYLINDER ARM PIVOT BRT	1
24	812365	3/4" LOCK NUT (PL)	2
25	84050	3/4" S.A.E. FLAT WASHER (PL)	4
26	84467	3/4" X 2" HEX BOLT (PL)	2
27	912491	LIFT ARM WELDT 61'	2
28	912503	UNDERCARRIAGE SPACER	2

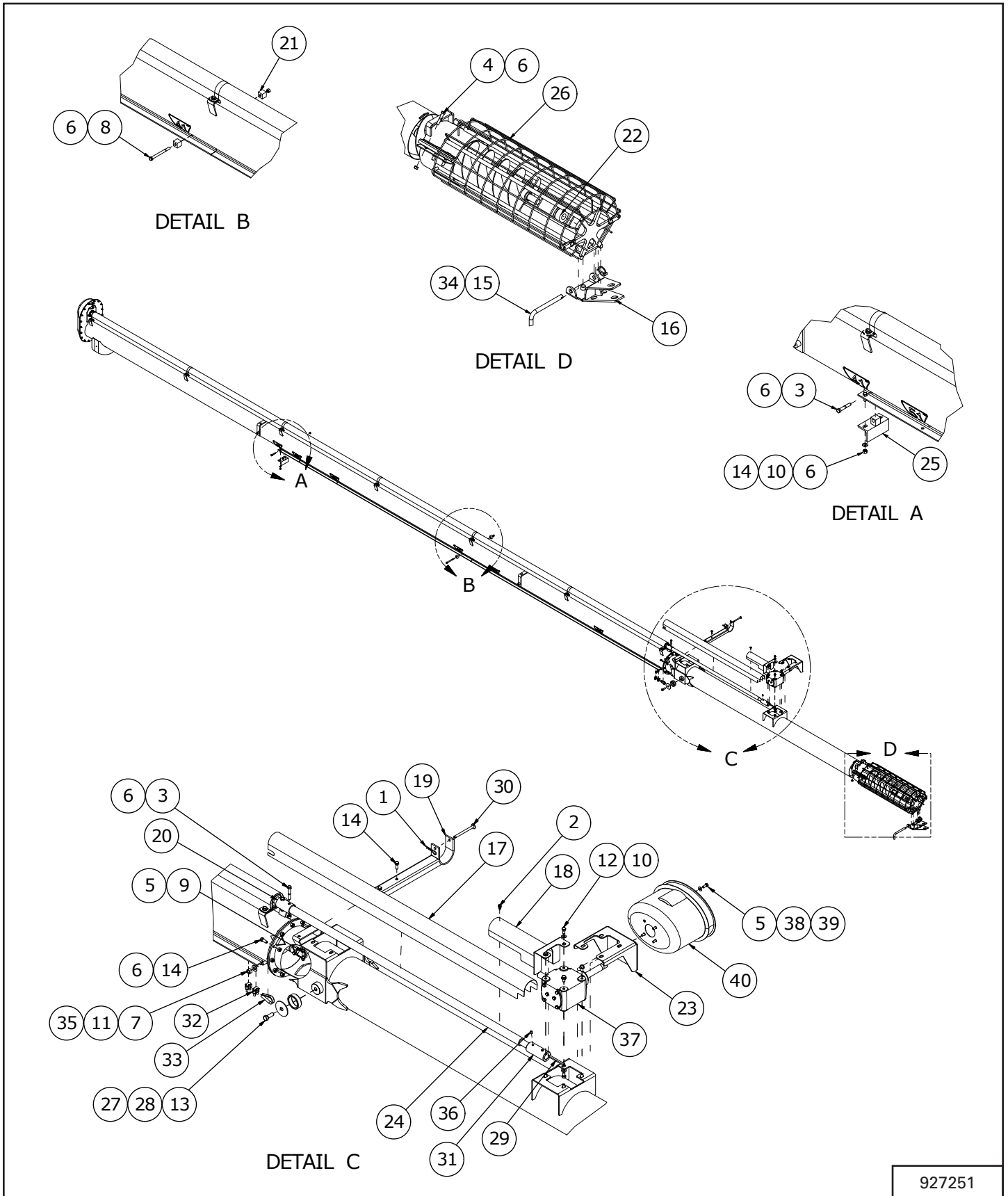
WHEEL & HUB



914663

ITEM	PART NUMBER	DESCRIPTION	QTY.
1	81834	3/4" SLOTTED HEX NUT	1
2	912435	STUB AXLE WELDT	1
3	968431	HUB CTD H516 COMPLETE ASSY	1
4	9812416	3/4" SAE FLAT WASHER (BR)	1
5	9812486	1/8" X 1-1/2" COTTER PIN (BR)	1
6	968404	1/2" x 1-1/4" WHEEL BOLT GR5 PL	5
7	959202	TIRE - 7.60 X 15 X 6 PLY	1
	913698	TIRE - ST205/75D15	1
	F0110	WHEEL - 15" X 5" X 5 BOLT	1
	913545	WHEEL - GEARED RIM 5 BOLT	1

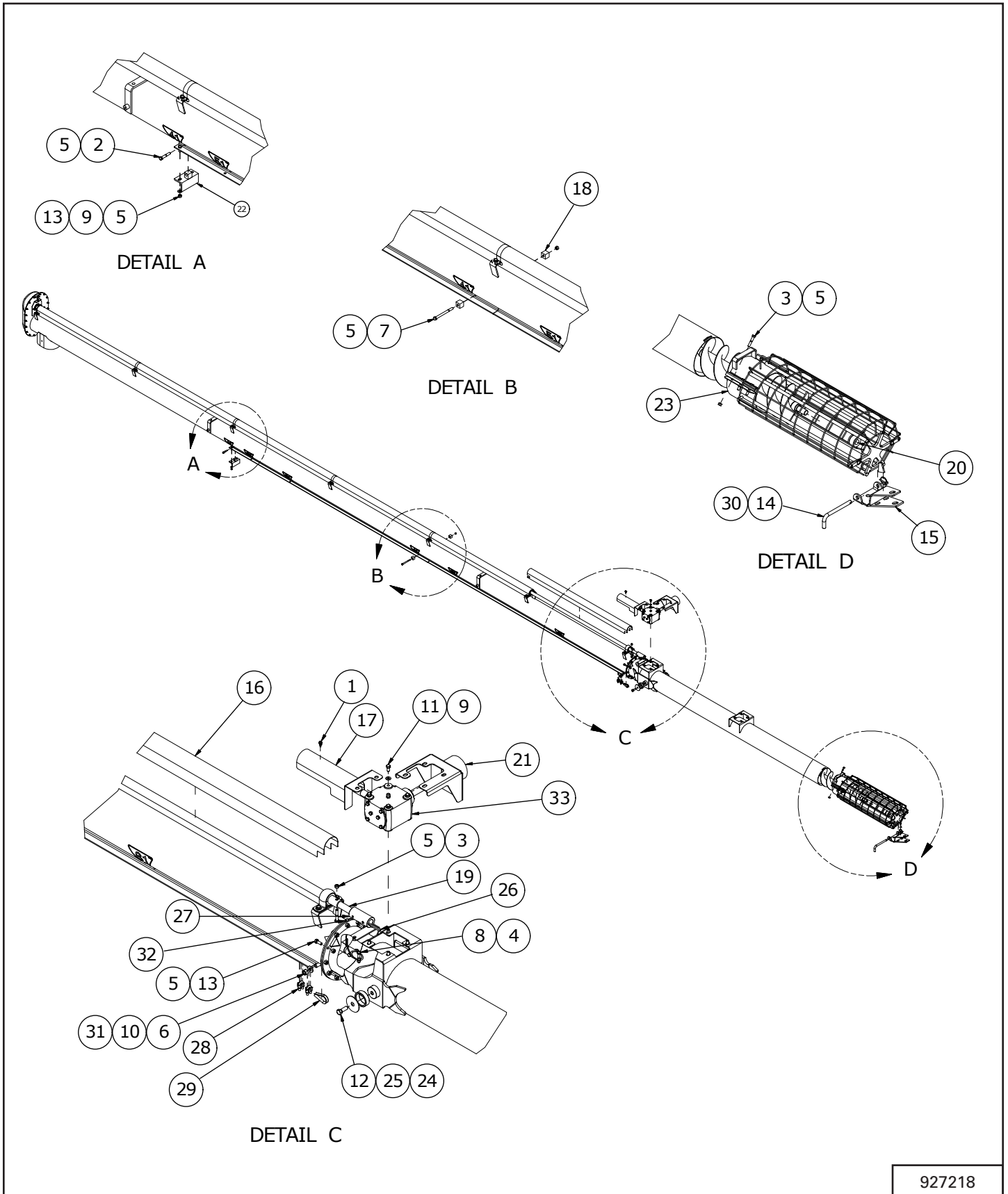
TUBES - 841 DIRECT DRIVE



927251

ITEM	PART NUMBER	DESCRIPTION	QTY.
1	12780	#7 HAIR PIN CLIP	1
2	81007	SCR HEX SELF DRILLING 1/4" X 3/4"	1
3	810958	3/8" X 2-1/4" HEX BOLT (PL)	3
4	811795	3/8" X 2" HEX BOLT (PL)	6
5	812362	5/16" LOCK NUT (PL)	6
6	812363	3/8" LOCK NUT (PL)	24
7	812364	1/2" LOCK NUT (PL)	1
8	81588	3/8" X 4-1/2" HEX BOLT (PL)	1
9	81925	HEX BOLT 5/16" X 1-3/4" (PL)	2
10	84039	3/8" FLAT WASHER (PL)	10
11	84048	1/2" SAE FLAT WASHER (PL)	1
12	84072	3/8" X 3/4" HEX BOLT (PL)	8
13	84277	1/2" X 1-1/2" HEX BOLT (PL)	2
14	86170	3/8" X 1" HEX BOLT GR.5 (PL)	16
15	903246	CLEVIS PIN 0.625" DIA	1
16	903248	CLEVIS WELDMENT	1
17	912225	DRIVELINE SHIELD	7
18	912296	EXTENSION SHIELD HOLDER WELDT 8"	1
19	912445	PTO HNGR WELDT	1
20	912508	DRIVELINE CPLR	1
21	913369	TRACK STOP	2
22	913424	BEARING WOOD INTAKE	1
23	930564	BRKT-GUARD PIVOT	1
24	913454	SHAFT-DRIVE LINE EXT WELDMENT 841D	1
25	915334	ASSY-TRACK STOP	1
26	925276	WELDT-8" INTAKE	1
27	927194	BUSH-PIVOT	2
28	927195L	SPACER	2
29	961155	1/4" X 1/4" X 3-1/2" CPLG TUBE KEY	1
30	961539	PTO HLDR PIN WELDT	1
31	961611	GBOX CPLG 3/8" X 1-3/4" X 4"	1
32	961763	5/16" CABLE CLAMP	2
33	964267	3/8" CABLE THIMBLES	1
34	966729	3/16" LINCH PIN (PL)	1
35	9812368	1/2" X 2-3/4" GR8 HEX BOLT (PL)	1
36	988999	Ø3/8" X 3/8" SOCKET SET SCREW (BR)	4
37	961085	GEARBOX SHIFT - 8" MODEL	1
	961092	GEARBOX - 8" MODEL	1
38	81549	5/16" X 3/4" HEX BOLT (PL)	4
39	81546	5/16" FLAT WASHER (PL)	4
40	967392	GEARBOX PTO PLASTIC SHIELD	1

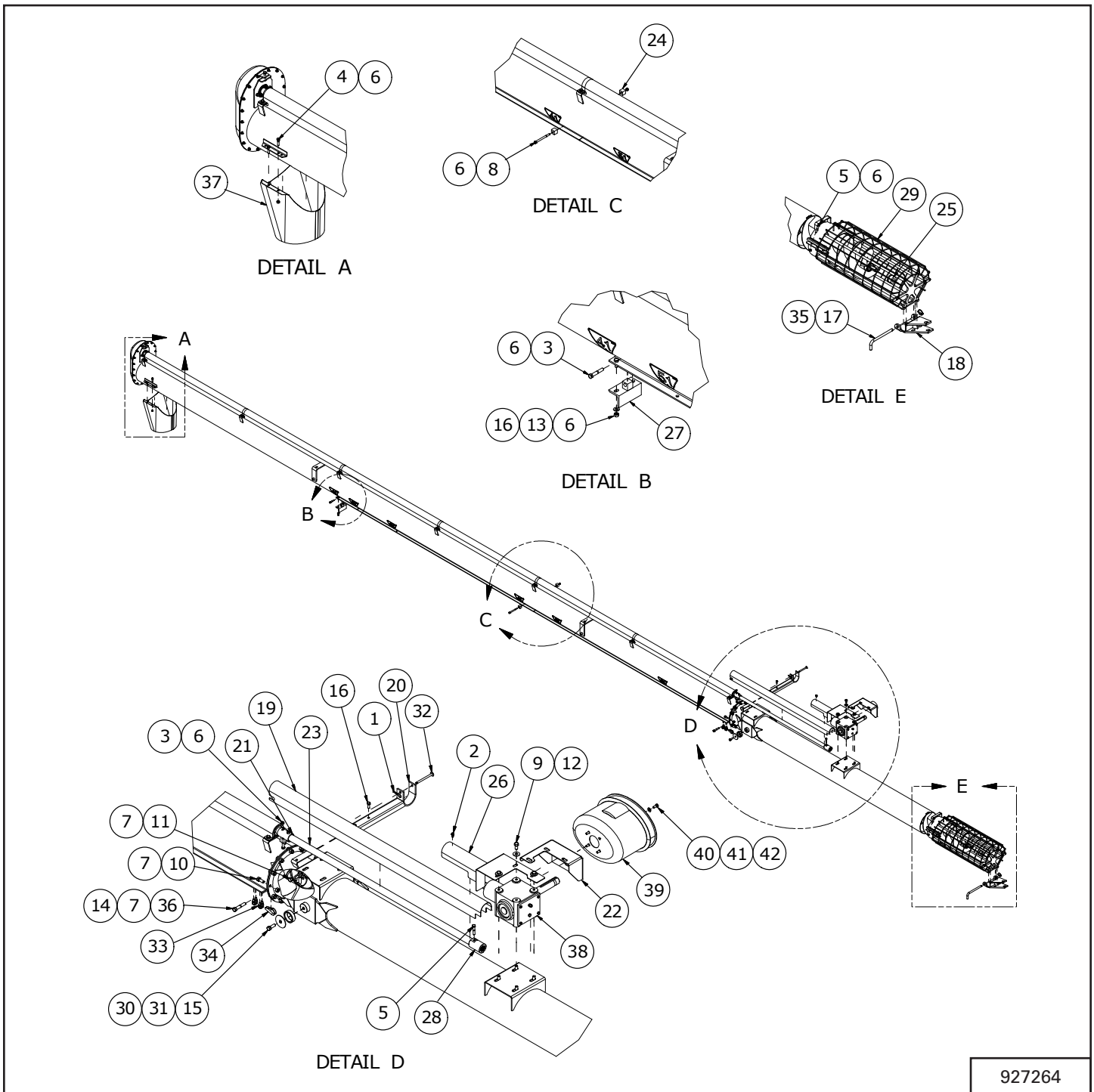
TUBES - 841 BELT DRIVE



927218

ITEM	PART NUMBER	DESCRIPTION	QTY.
1	81007	SCR HEX SELF DRILLING 1/4" X 3/4"	1
2	810958	3/8" X 2-1/4" HEX BOLT (PL)	1
3	811795	3/8" X 2" HEX BOLT (PL)	7
4	812362	5/16" LOCK NUT (PL)	2
5	812363	3/8" LOCK NUT (PL)	23
6	812364	1/2" LOCK NUT (PL)	1
7	81588	3/8" X 4-1/2" HEX BOLT (PL)	1
8	81925	HEX BOLT 5/16" X 1-3/4" (PL)	2
9	84039	3/8" FLAT WASHER (PL)	10
10	84048	1/2" SAE FLAT WASHER (PL)	1
11	84072	3/8" X 3/4" HEX BOLT (PL)	8
12	84268	5/8" X 1-1/2" HEX BOLT (PL)	2
13	86170	3/8" X 1" HEX BOLT GR.5 (PL)	14
14	903246	CLEVIS PIN 0.625" DIA	1
15	903248	CLEVIS WELDMENT	1
16	912225	DRIVELINE SHIELD	6
17	912296	EXTENSION SHIELD HOLDER WELDT 8"	1
18	913369	TRACK STOP	2
19	913379	SHAFT,STUB-DRIVE LINE COUPLER	1
20	913424	BEARING WOOD INTAKE	1
21	913433	ASSY-GEARBOX BRACKET	1
22	915334	ASSY-TRACK STOP	1
23	925276	WELDT-8" INTAKE	1
24	927194	BUSH-PIVOT	2
25	927195L	SPACER	2
26	961155	1/4" X 1/4" X 3-1/2" CPLGTUBE KEY	1
27	961611	GBOX CPLG 3/8" X 1-3/4" X 4"	1
28	961763	5/16" CABLE CLAMP	2
29	964267	3/8" CABLE THIMBLES	1
30	966729	3/16" LINCH PIN (PL)	1
31	9812368	1/2" X 2-3/4" GR8 HEX BOLT (PL)	1
32	988999	3/8" X 3/8" SOCKET SET SCREW (BR)	4
33	961085	GEARBOX SHIFT - 8" MODEL	1
	961092	GEARBOX - 8" MODEL	1

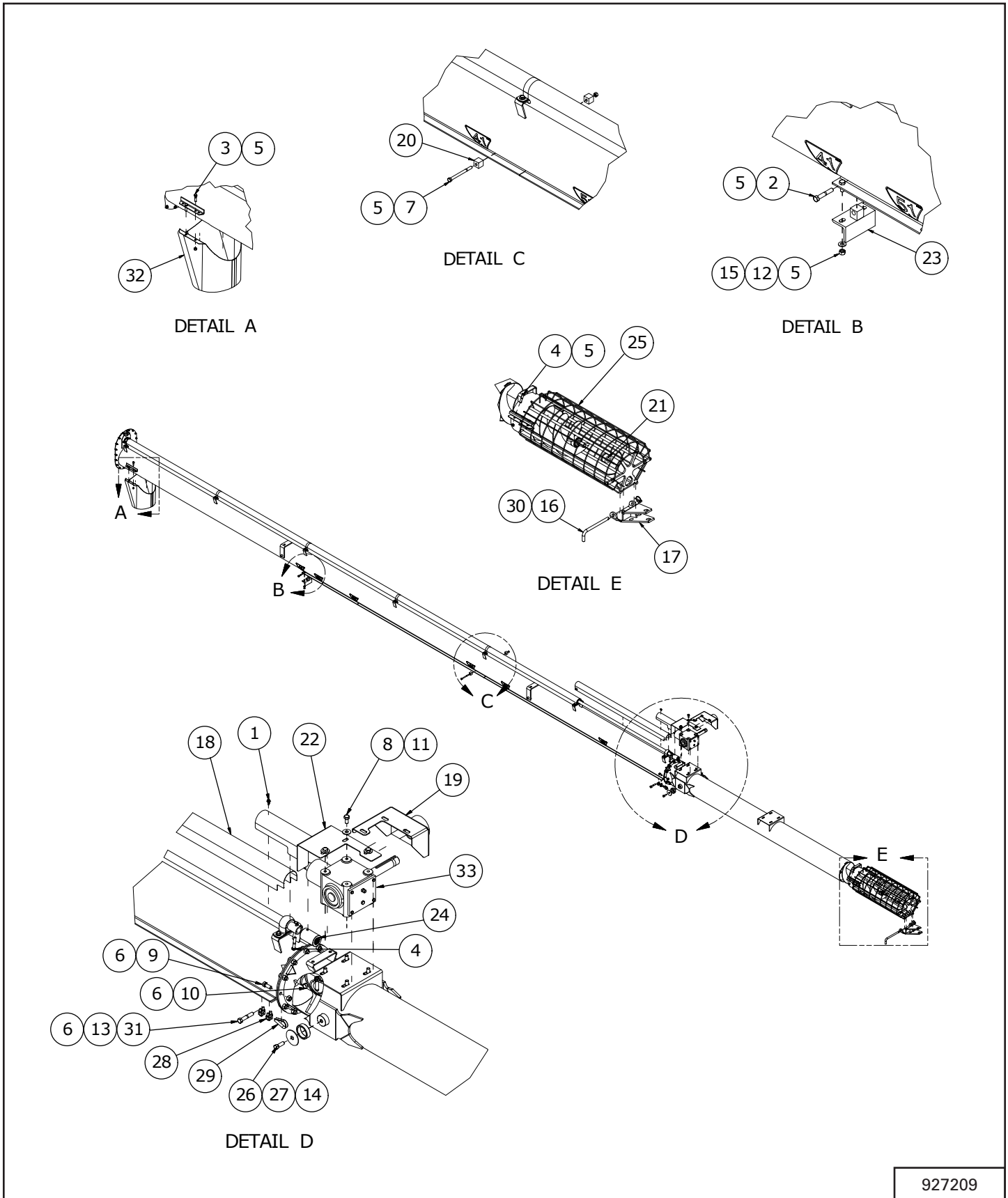
TUBES - 1041 DIRECT DRIVE



ITEM	PART NUMBER	DESCRIPTION	QTY.
1	12780	#7 HAIR PIN CLIP	1
2	81007	SCR HEX SELF DRILLING 1/4" X 3/4"	1
3	810958	3/8" X 2-1/4" HEX BOLT (PL)	3

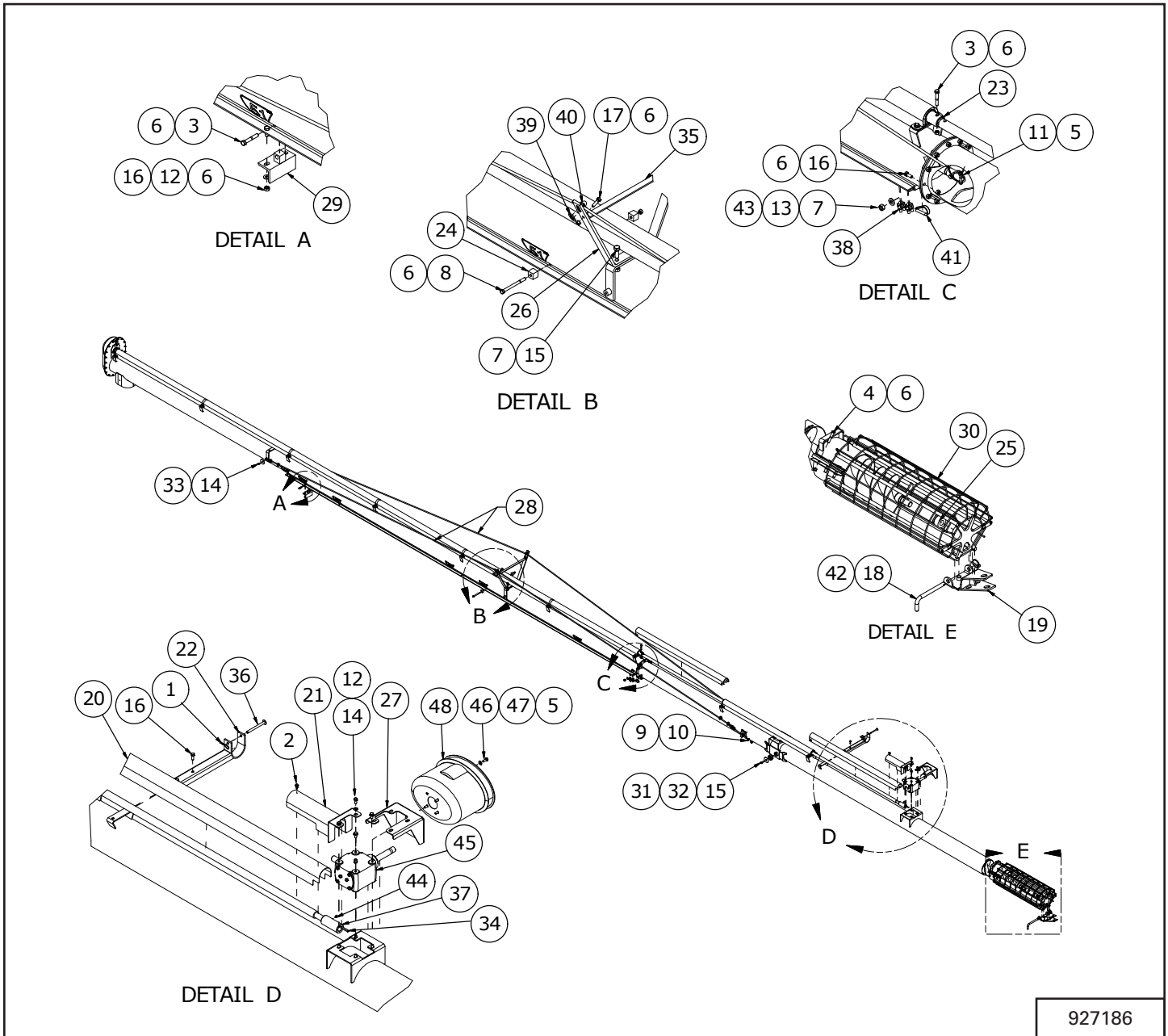
ITEM	PART NUMBER	DESCRIPTION	QTY.
4	811792	3/8" X 1-1/2" HEX BOLT GR.5 (PL)	4
5	811795	3/8" X 2" HEX BOLT (PL)	7
6	812363	3/8" LOCK NUT (PL)	16
7	812364	1/2" LOCK NUT (PL)	15
8	81588	3/8" X 4-1/2" HEX BOLT (PL)	1
9	81619	1/2" X 1" HEX BOLT (PL)	7
10	81620	1/2" X 1-1/4" HEX BOLT PL	12
11	81628	1/2" X 3-1/4" HEX BOLT (PL)	2
12	81638	1/2" BS FLAT WASHER (PL)	7
13	84039	3/8" FLAT WASHER (PL)	2
14	84048	1/2" SAE FLAT WASHER (PL)	1
15	84277	1/2" X 1-1/2" HEX BOLT (PL)	2
16	86170	3/8" X 1" HEX BOLT GR.5 (PL)	4
17	903293	CLEVIS PIN 0.625" DIA	1
18	903294	CLEVIS HITCH WELDT	1
19	912225	DRIVELINE SHIELD	7
20	912445	PTO HNGR WELDT	1
21	912508	DRIVELINE CPLR	1
22	930559	BRKT-GUARD PIVOT	1
23	912982	DRIVELINE TUBE	1
24	913369	TRACK STOP	2
25	913424	BEARING WOOD INTAKE	1
26	913501	EXTENSION SHIELD HOLDER WELDT 10"	1
27	915334	ASSY-TRACK STOP	1
28	915549	GEARBOX COUPLER	1
29	925409	WELDT-10" INTAKE	1
30	927194	BUSH-PIVOT	2
31	927195L	SPACER	2
32	961539	PTO HLDR PIN WELDT	1
33	961763	5/16" CABLE CLAMP	2
34	964267	3/8" CABLE THIMBLES	1
35	966729	3/16" LINCH PIN (PL)	1
36	9812368	1/2" X 2-3/4" GR8 HEX BOLT (PL)	1
37	F9047	DISCHARGE SPOUT	1
38	961086	GEARBOX SHIFT - 10" MODEL	1
	BU50510	GEARBOX - 10" MODEL	1
39	967392	GEARBOX PTO PLASTIC SHIELD	1
40	812362	5/16" LOCK NUT (PL)	4
41	81546	5/16" FLAT WASHER (PL)	4
42	81549	5/16" X 3/4" HEX BOLT (PL)	4

TUBES - 1041 BELT DRIVE



ITEM	PART NUMBER	DESCRIPTION	QTY.
1	81007	SCR HEX SELF DRILLING 1/4" X 3/4"	1
2	810958	3/8" X 2-1/4" HEX BOLT (PL)	1
3	811792	3/8" X 1-1/2" HEX BOLT GR.5 (PL)	4
4	811795	3/8" X 2" HEX BOLT (PL)	7
5	812363	3/8" LOCK NUT (PL)	14
6	812364	1/2" LOCK NUT (PL)	15
7	81588	3/8" X 4-1/2" HEX BOLT (PL)	1
8	81619	1/2" X 1" HEX BOLT (PL)	7
9	81620	1/2" X 1-1/4" HEX BOLT PL	12
10	81628	1/2" X 3-1/4" HEX BOLT (PL)	2
11	81638	1/2" BS FLAT WASHER (PL)	7
12	84039	3/8" FLAT WASHER (PL)	2
13	84048	1/2" SAE FLAT WASHER (PL)	1
14	84268	5/8" X 1-1/2" HEX BOLT (PL)	2
15	86170	3/8" X 1" HEX BOLT GR.5 (PL)	2
16	903293	CLEVIS PIN 0.625" DIA	1
17	903294	CLEVIS HITCH WELDT	1
18	912225	DRIVELINE SHIELD	6
19	912774	ASSY-GEARBOX BRKT 10"	1
20	913369	TRACK STOP	2
21	913424	BEARING WOOD INTAKE	1
22	913501	EXTENSION SHIELD HOLDER WELDT 10"	1
23	915334	ASSY-TRACK STOP	1
24	915549	GEARBOX COUPLER	1
25	925409	WELDT-10" INTAKE	1
26	927194	BUSH-PIVOT	2
27	927195L	SPACER	2
28	961763	5/16" CABLE CLAMP	2
29	964267	3/8" CABLE THIMBLES	1
30	966729	3/16" LINCH PIN (PL)	1
31	9812368	1/2" X 2-3/4" GR8 HEX BOLT (PL)	1
32	F9047	DISCHARGE SPOUT	1
33	961086	GEARBOX SHIFT - 10" MODEL	1
	BU50510	GEARBOX - 10" MODEL	1

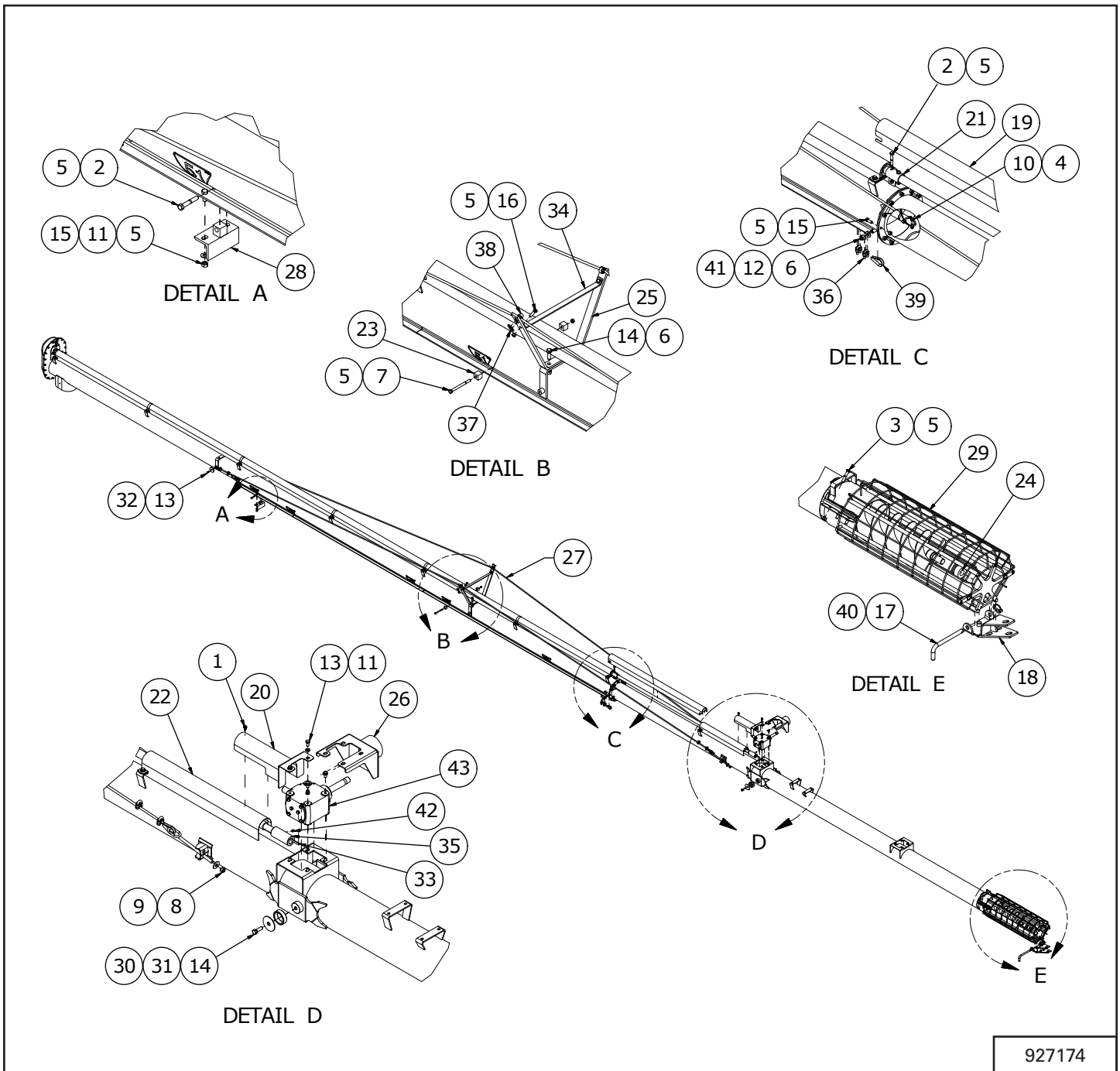
TUBES - 851 DIRECT DRIVE



ITEM	PART NUMBER	DESCRIPTION	QTY.
1	12780	#7 HAIR PIN CLIP	1
2	81007	SCR HEX SELF DRILLING 1/4" X 3/4"	1
3	810958	3/8" X 2 1/4" HEX BOLT (PL)	3
4	811795	3/8" X 2" HEX BOLT (PL)	6
5	812362	5/16" LOCK NUT (PL)	6
6	812363	3/8" LOCK NUT (PL)	26
7	812364	1/2" LOCK NUT (PL)	3
8	81588	3/8" X 4-1/2" HEX BOLT (PL)	1

ITEM	PART NUMBER	DESCRIPTION	QTY.
9	81636	1/2" HEX NUT (PL)	2
10	81638	1/2" BS FLAT WASHER (PL)	2
11	81925	HEX BOLT 5/16" X 1-3/4" (PL)	2
12	84039	3/8" FLAT WASHER (PL)	10
13	84048	1/2" SAE FLAT WASHER (PL)	1
14	84072	3/8" X 3/4" HEX BOLT (PL)	10
15	84277	1/2" X 1-1/2" HEX BOLT (PL)	4
16	86170	3/8" X 1" HEX BOLT GR.5 (PL)	16
17	86171	3/8" X 1-1/4" HEX BOLT (PL)	2
18	903246	CLEVIS PIN 0.625" DIA	1
19	903248	CLEVIS WELDMENT	1
20	912225	DRIVELINE SHIELD	9
21	912296	EXTENSION SHIELD HOLDER WELDT 8"	1
22	912445	PTO HNGR WELDT	1
23	912508	DRIVELINE CPLR	1
24	913369	TRACK STOP	2
25	913424	BEARING WOOD INTAKE	1
26	913428	BRIDGING BRACKET	1
27	930564	BRKT-GUARD PIVOT	1
28	913824	ASSY-CABLE BRIDGING 51'	2
29	915334	ASSY-TRACK STOP	1
30	925276	WELDT-8" INTAKE	1
31	927194	BUSH-PIVOT	2
32	927195L	SPACER	2
33	960495	INPUT BOX RING CLAMP 13/32"ID X 2-13/32"OD X 1/4"	2
34	961155	1/4" X 1/4" X 3-1/2" CPLGTUBE KEY	1
35	961532	3/16" X 1" X 20" BDGING BRACE	1
36	961539	PTO HLDR PIN WELDT	1
37	961611	GBOX CPLG 3/8" X 1-3/4" X 4"	1
38	961763	5/16" CABLE CLAMP	2
39	964001	1" X 7/16" X 10GA FLAT WASHER (PL)	4
40	964264	3/8" CABLE CLAMP	2
41	964267	3/8" CABLE THIMBLES	1
42	966729	3/16" LINCH PIN (PL)	1
43	9812368	1/2" X 2-3/4" GR8 HEX BOLT (PL)	1
44	988999	3/8" X 3/8" SOCKET SET SCREW (BR)	4
45	961085	GEARBOX SHIFT - 8" MODEL	1
	961092	GEARBOX - 8" MODEL	1
46	81549	5/16" X 3/4" HEX BOLT (PL)	4
47	81546	5/16" FLAT WASHER (PL)	4
48	967392	GEARBOX PTO PLASTIC SHIELD	1

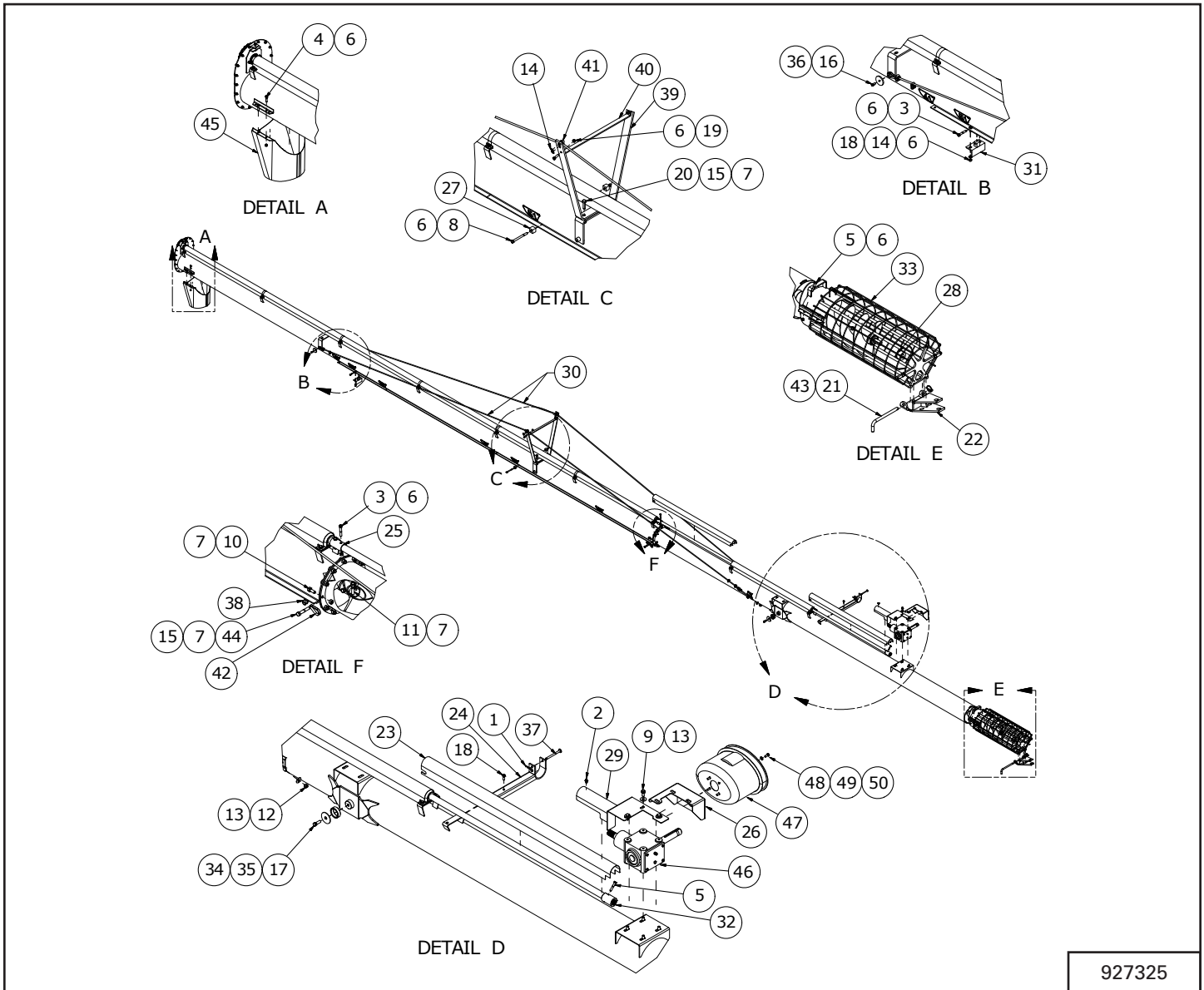
TUBES - 851 BELT DRIVE



ITEM	PART NUMBER	DESCRIPTION	QTY.
1	81007	SCR HEX SELF DRILLING 1/4" X 3/4"	1
2	810958	3/8" X 2-1/4" HEX BOLT (PL)	3
3	811795	3/8" X 2" HEX BOLT (PL)	6
4	812362	5/16" LOCK NUT (PL)	2
5	812363	3/8" LOCK NUT (PL)	26

ITEM	PART NUMBER	DESCRIPTION	QTY.
6	812364	1/2" LOCK NUT (PL)	3
7	81588	3/8" X 4-1/2" HEX BOLT (PL)	1
8	81636	1/2" HEX NUT (PL)	2
9	81638	1/2" BS FLAT WASHER (PL)	2
10	81925	HEX BOLT 5/16" X 1-3/4" (PL)	2
11	84039	3/8" FLAT WASHER (PL)	10
12	84048	1/2" SAE FLAT WASHER (PL)	1
13	84072	3/8" X 3/4" HEX BOLT (PL)	10
14	84268	5/8" X 1-1/2" HEX BOLT (PL)	4
15	86170	3/8" X 1" HEX BOLT GR.5 (PL)	14
16	86171	3/8" X 1-1/4" HEX BOLT (PL)	2
17	903246	CLEVIS PIN 0.625" DIA	1
18	903248	CLEVIS WELDMENT	1
19	912225	DRIVELINE SHIELD	7
20	912296	EXTENSION SHIELD HOLDER WELDT 8"	1
21	912508	DRIVELINE CPLR	1
22	913334	DRIVELINE SHIELD EXT	1
23	913369	TRACK STOP	2
24	913424	BEARING WOOD INTAKE	1
25	913428	BRIDGING BRACKET	1
26	913433	ASSY-GEARBOX BRACKET	1
27	913824	ASSY-CABLE BRIDGING 51'	2
28	915334	ASSY-TRACK STOP	1
29	925276	WELDT-8" INTAKE	1
30	927194	BUSH-PIVOT	2
31	927195L	SPACER	2
32	960495	INPUT BOX RING CLAMP 13/32"ID X 2-13/32"OD X 1/4"	2
33	961155	1/4" X 1/4" X 3-1/2" CPLGTUBE KEY	1
34	961532	3/16" X 1" X 20" BDGING BRACE	1
35	961611	GBOX CPLG 3/8" X 1-3/4" X 4"	1
36	961763	5/16" CABLE CLAMP	2
37	964001	1" X 7/16" X 10GA FLAT WASHER (PL)	4
38	964264	3/8" CABLE CLAMP	2
39	964267	3/8" CABLE THIMBLES	1
40	966729	3/16" LINCH PIN (PL)	1
41	9812368	1/2" X 2-3/4" GR8 HEX BOLT (PL)	1
42	988999	3/8" X 3/8" SOCKET SET SCREW (BR)	4
43	961085	GEARBOX SHIFT - 8" MODEL	1
	961092	GEARBOX - 8" MODEL	1

TUBES - 1051 DIRECT DRIVE

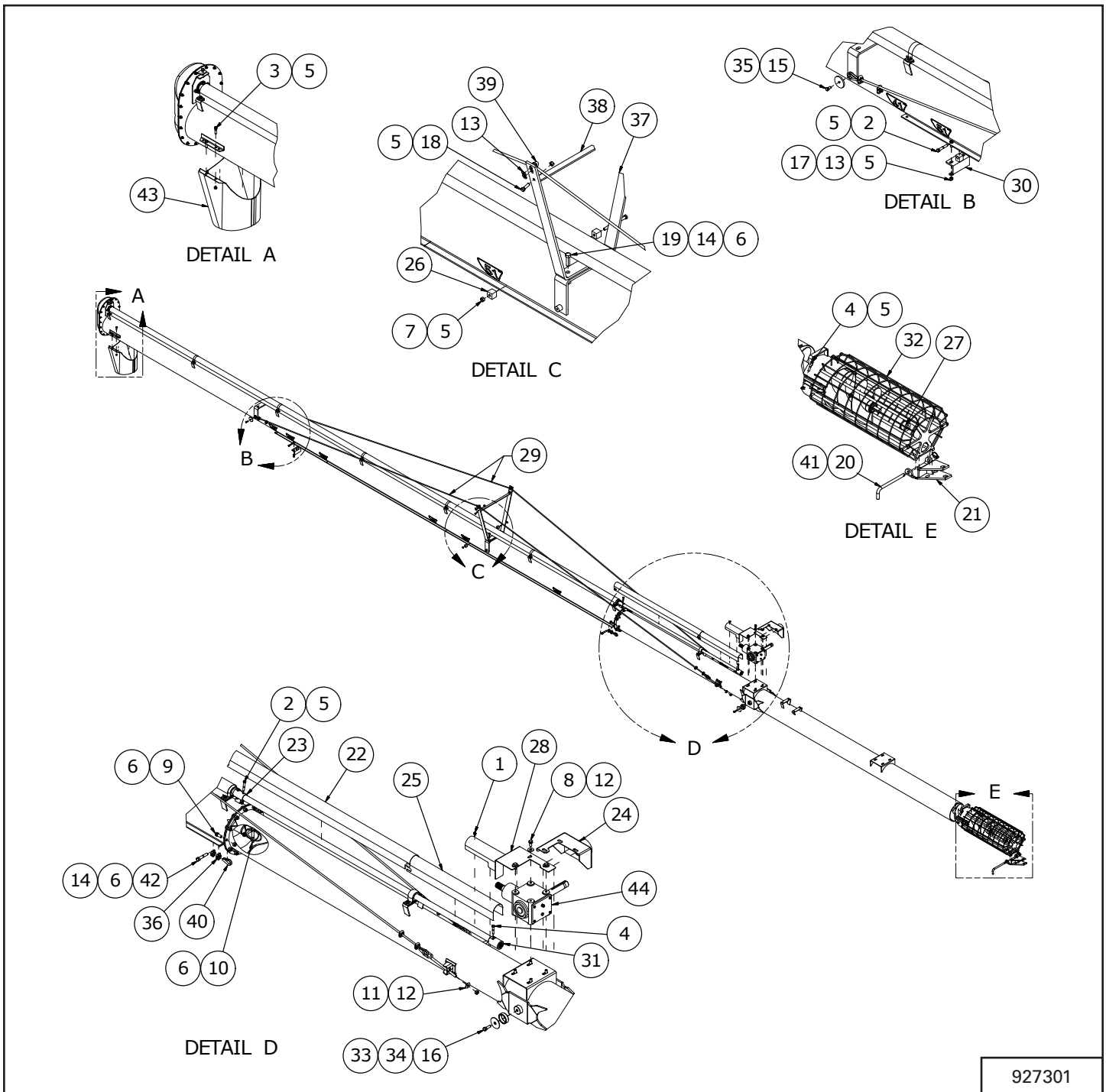


927325

ITEM	PART NUMBER	DESCRIPTION	QTY.
1	12780	#7 HAIR PIN CLIP	1
2	81007	SCR HEX SELF DRILLING 1/4" X 3/4"	1
3	810958	3/8" X 2-1/4" HEX BOLT (PL)	3
4	811792	3/8" X 1-1/2" HEX BOLT GR.5 (PL)	4
5	811795	3/8" X 2" HEX BOLT (PL)	7
6	812363	3/8" LOCK NUT (PL)	18
7	812364	1/2" LOCK NUT (PL)	17
8	81588	3/8" X 4-1/2" HEX BOLT (PL)	1
9	81619	1/2" X 1" HEX BOLT (PL)	7
10	81620	1/2" X 1-1/4" HEX BOLT PL	12

ITEM	PART NUMBER	DESCRIPTION	QTY.
11	81628	1/2" X 3-1/4" HEX BOLT (PL)	2
12	81636	1/2" HEX NUT (PL)	2
13	81638	1/2" BS FLAT WASHER (PL)	9
14	84039	3/8" FLAT WASHER (PL)	6
15	84048	1/2" SAE FLAT WASHER (PL)	3
16	84072	3/8" X 3/4" HEX BOLT (PL)	2
17	84277	1/2" X 1-1/2" HEX BOLT (PL)	2
18	86170	3/8" X 1" HEX BOLT GR.5 (PL)	4
19	86171	3/8" X 1-1/4" HEX BOLT (PL)	2
20	87553	1/2" X 1.75" HEX BOLT UNC GR5 (PL)	2
21	903293	CLEVIS PIN 0.625" DIA	1
22	903294	CLEVIS HITCH WELDT	1
23	912225	DRIVELINE SHIELD	9
24	912445	PTO HNGR WELDT	1
25	912508	DRIVELINE CPLR	1
26	930559	BRKT-GUARD PIVOT	1
27	913369	TRACK STOP	2
28	913424	BEARING WOOD INTAKE	1
29	913501	EXTENSION SHIELD HOLDER WELDT 10"	1
30	913824	ASSY-CABLE BRIDGING 51'	2
31	915334	ASSY-TRACK STOP	1
32	915549	GEARBOX COUPLER	1
33	925409	WELDT-10" INTAKE	1
34	927194	BUSH-PIVOT	2
35	927195L	SPACER	2
36	960495	INPUT BOX RING CLAMP 13/32"ID X 2-13/32"OD X 1/4"	2
37	961539	PTO HLDR PIN WELDT	1
38	961763	5/16" CABLE CLAMP	2
39	962013	BRIDGING YOKE	1
40	962014	1/4" X 1" X 23" BDGINGTIE BAR	1
41	964264	3/8" CABLE CLAMP	2
42	964267	3/8" CABLE THIMBLES	1
43	966729	3/16" LINCH PIN (PL)	1
44	9812368	1/2" X 2-3/4" GR8 HEX BOLT (PL)	1
45	F9047	DISCHARGE SPOUT	1
46	961086	GEARBOX SHIFT - 10" MODEL	1
	BU50510	GEARBOX - 10" MODEL	1
47	967392	GEARBOX PTO PLASTIC SHIELD	1
48	812362	5/16" LOCK NUT (PL)	4
49	81546	5/16" FLAT WASHER (PL)	4
50	81549	5/16" X 3/4" HEX BOLT (PL)	4

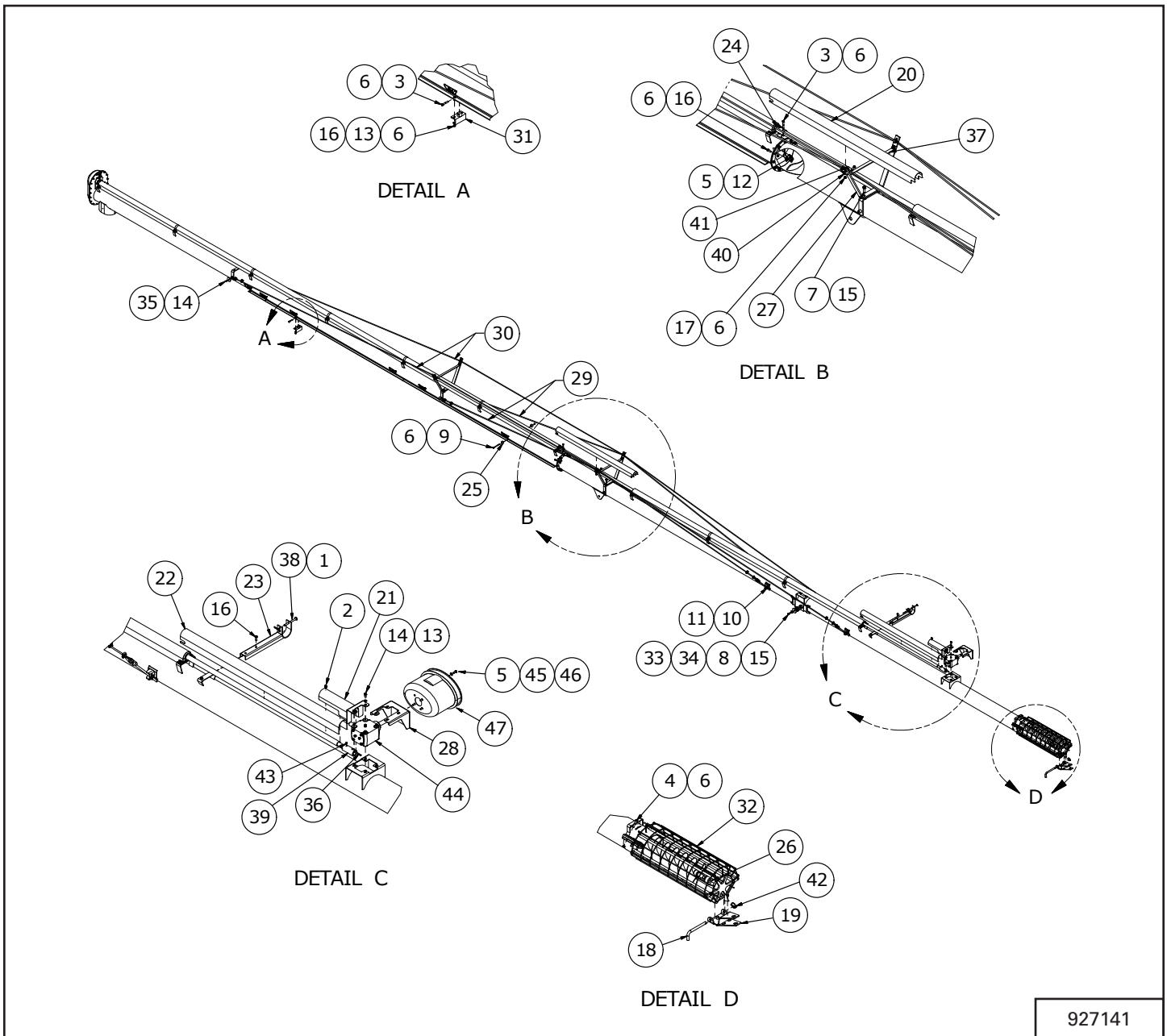
TUBES - 1051 BELT DRIVE



ITEM	PART NUMBER	DESCRIPTION	QTY.
1	81007	SCR HEX SELF DRILLING 1/4" X 3/4"	1
2	810958	3/8" X 2-1/4" HEX BOLT (PL)	3
3	811792	3/8" X 1-1/2" HEX BOLT GR.5 (PL)	4
4	811795	3/8" X 2" HEX BOLT (PL)	7

ITEM	PART NUMBER	DESCRIPTION	QTY.
5	812363	3/8" LOCK NUT (PL)	18
6	812364	1/2" LOCK NUT (PL)	17
7	81588	3/8" X 4-1/2" HEX BOLT (PL)	1
8	81619	1/2" X 1" HEX BOLT (PL)	7
9	81620	1/2" X 1-1/4" HEX BOLT PL	12
10	81628	1/2" X 3-1/4" HEX BOLT (PL)	2
11	81636	1/2" HEX NUT (PL)	2
12	81638	1/2" BS FLAT WASHER (PL)	9
13	84039	3/8" FLAT WASHER (PL)	6
14	84048	1/2" SAE FLAT WASHER (PL)	3
15	84072	3/8" X 3/4" HEX BOLT (PL)	2
16	84268	5/8" X 1-1/2" HEX BOLT (PL)	2
17	86170	3/8" X 1" HEX BOLT GR.5 (PL)	2
18	86171	3/8" X 1-1/4" HEX BOLT (PL)	2
19	87553	1/2" X 1.75" HEX BOLT UNC GR5 (PL)	2
20	903293	CLEVIS PIN 0.625" DIA	1
21	903294	CLEVIS HITCH WELDT	1
22	912225	DRIVELINE SHIELD	7
23	912508	DRIVELINE CPLR	1
24	912774	ASSY-GEARBOX BRKT 10"	1
25	913334	DRIVELINE SHIELD EXT	1
26	913369	TRACK STOP	2
27	913424	BEARING WOOD INTAKE	1
28	913501	EXTENSION SHIELD HOLDER WELDT 10"	1
29	913824	ASSY-CABLE BRIDGING 51'	2
30	915334	ASSY-TRACK STOP	1
31	915549	GEARBOX COUPLER	1
32	925409	WELDT-10" INTAKE	1
33	927194	BUSH-PIVOT	2
34	927195L	SPACER	2
35	960495	INPUT BOX RING CLAMP 13/32"ID X 2-13/32"OD X 1/4"	2
36	961763	5/16" CABLE CLAMP	2
37	962013	BRIDGING YOKE	1
38	962014	1/4" X 1" X 23" BDGING TIE BAR	1
39	964264	3/8" CABLE CLAMP	2
40	964267	3/8" CABLE THIMBLES	1
41	966729	3/16" LINCH PIN (PL)	1
42	9812368	1/2" X 2-3/4" GR8 HEX BOLT (PL)	1
43	F9047	DISCHARGE SPOUT	1
44	961086	GEARBOX SHIFT - 10" MODEL	1
	BU50510	GEARBOX - 10" MODEL	1

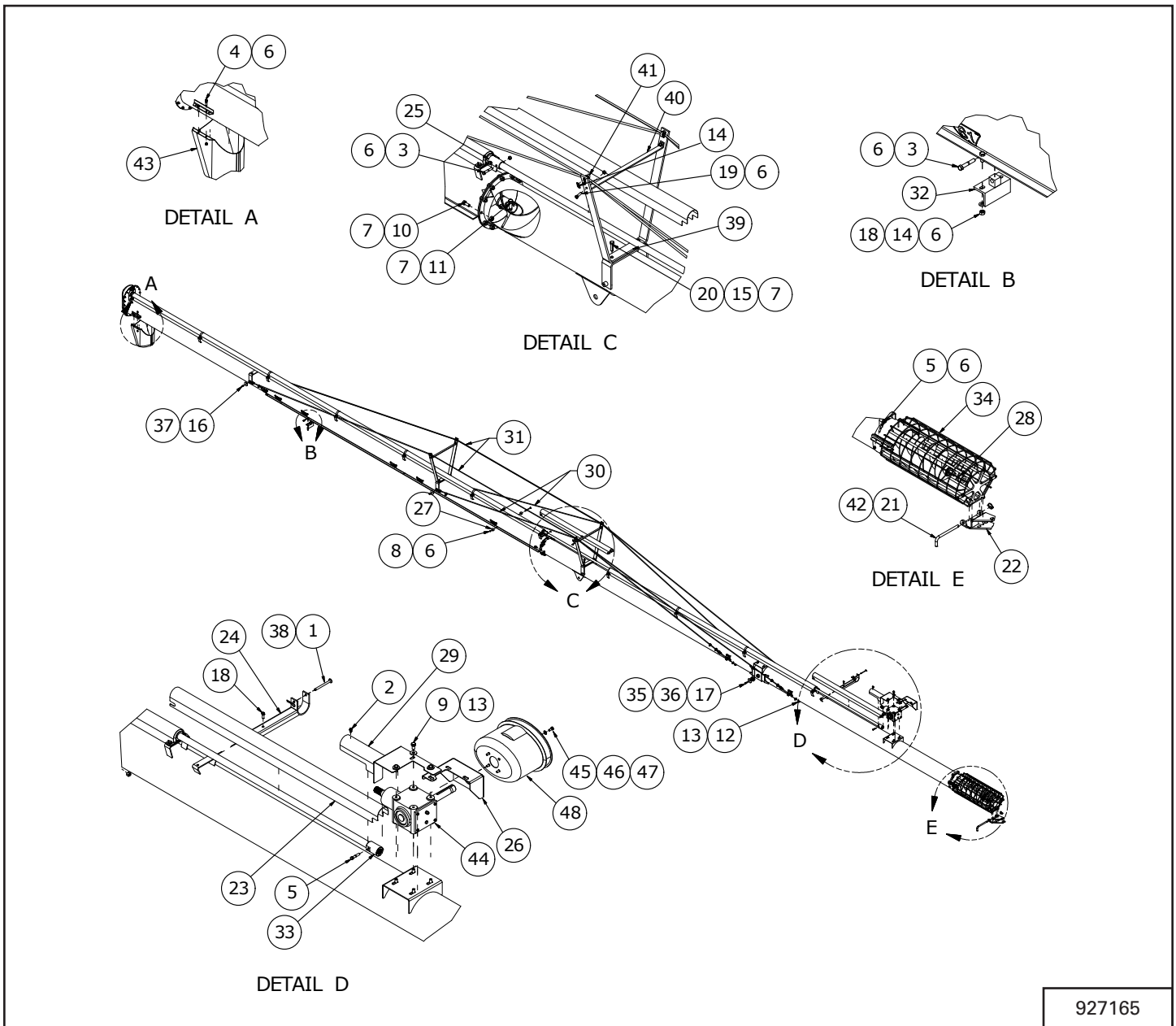
TUBES - 861 DIRECT DRIVE



ITEM	PART NUMBER	DESCRIPTION	QTY.
1	12780	#7 HAIR PIN CLIP	1
2	81007	SCR HEX SELF DRILLING 1/4" X 3/4"	1
3	810958	3/8" X 2-1/4" HEX BOLT (PL)	3
4	811795	3/8" X 2" HEX BOLT (PL)	6
5	812362	5/16" LOCK NUT (PL)	6
6	812363	3/8" LOCK NUT (PL)	28
7	812364	1/2" LOCK NUT (PL)	4
8	812639	WASHER 0.625 SAE FLAT BS PL	2

ITEM	PART NUMBER	DESCRIPTION	QTY.
9	81588	3/8" X 4-1/2" HEX BOLT (PL)	1
10	81636	1/2" HEX NUT (PL)	4
11	81638	1/2" BS FLAT WASHER (PL)	4
12	81925	HEX BOLT 5/16" X 1 3/4" (PL)	2
13	84039	3/8" FLAT WASHER (PL)	10
14	84072	3/8" X 3/4" HEX BOLT (PL)	12
15	84277	1/2" X 1-1/2" HEX BOLT (PL)	6
16	86170	3/8" X 1" HEX BOLT GR.5 (PL)	16
17	86171	3/8" X 1-1/4" HEX BOLT (PL)	4
18	903246	CLEVIS PIN 0.625" DIA	1
19	903248	CLEVIS WELDMENT	1
20	912225	DRIVELINE SHIELD	10
21	912296	EXTENSION SHIELD HOLDER WELDT 8"	1
22	912307	DRIVELINE SHIELD	1
23	912445	PTO HNGR WELDT	1
24	912508	DRIVELINE CPLR	1
25	913369	TRACK STOP	2
26	913424	BEARING WOOD INTAKE	1
27	913428	BRIDGING BRACKET	2
28	930564	BRKT-GUARD PIVOT	1
29	913825	ASSY-CABLE BRIDGING SHORT 61'	2
30	913826	ASSY-CABLE BRIDGING LONG 61'	2
31	915334	ASSY-TRACK STOP	1
32	925276	WELDT-8" INTAKE	1
33	927194	BUSH-PIVOT	2
34	927195L	SPACER	2
35	960495	INPUT BOX RING CLAMP 13/32"ID X 2-13/32"OD X 1/4"	4
36	961155	1/4" X 1/4" X 3-1/2" CPLGTUBE KEY	1
37	961532	3/16" X 1" X 20" BDGING BRACE	2
38	961539	PTO HLDR PIN WELDT	1
39	961611	GBOX CPLG 3/8" X 1-3/4" X 4"	1
40	964001	1" X 7/16" X 10GA FLAT WASHER (PL)	8
41	964264	3/8" CABLE CLAMP	4
42	966729	3/16" LINCH PIN (PL)	1
43	988999	3/8"0 X 3/8" SOCKET SET SCREW (BR)	4
44	961085	GEARBOX SHIFT - 8" MODEL	1
	961092	GEARBOX - 8" MODEL	1
45	81546	5/16" FLAT WASHER (PL)	4
46	81549	5/16" X 3/4" HEX BOLT (PL)	4
47	967392	GEARBOX PTO PLASTIC SHIELD	1

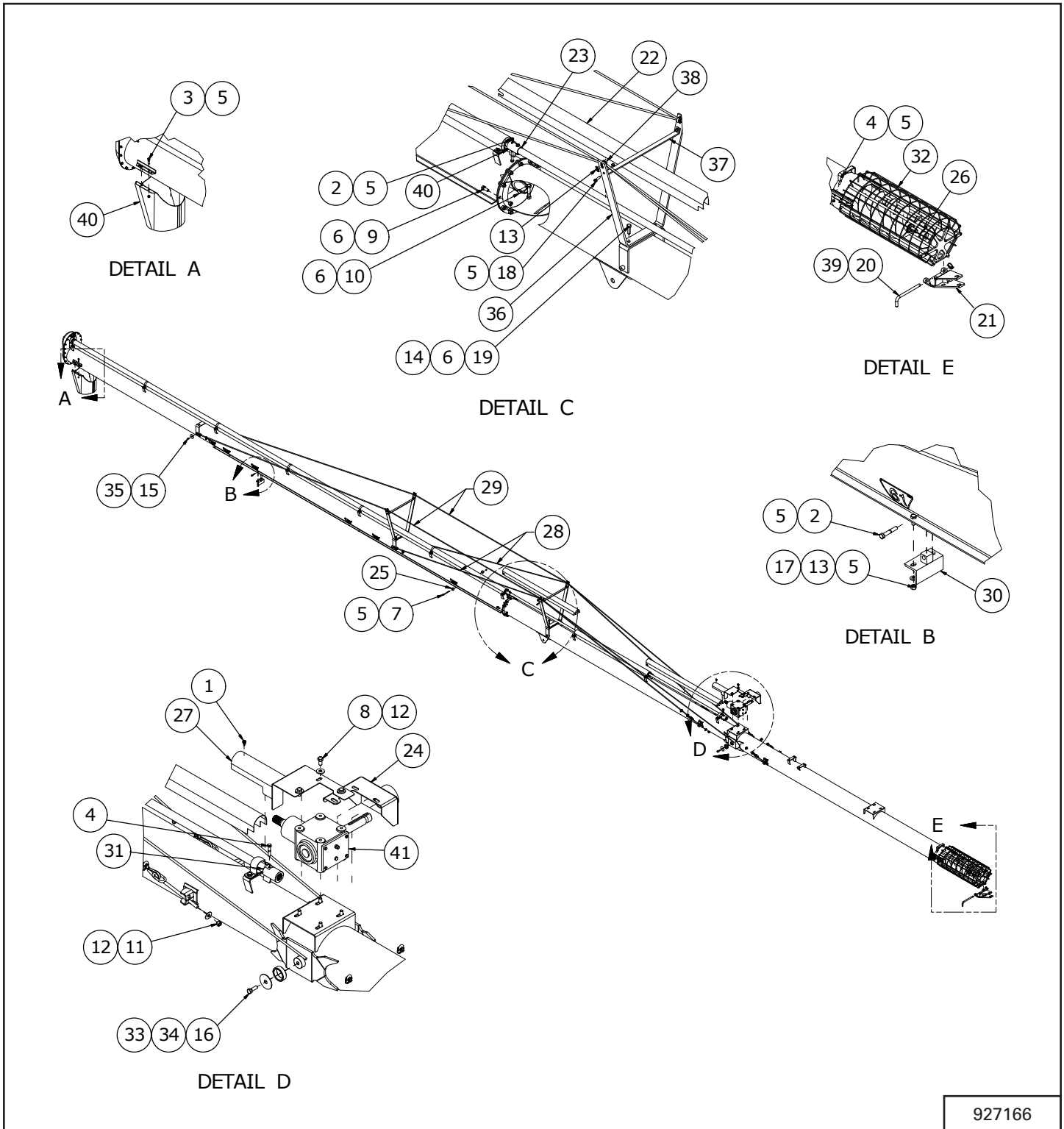
TUBES - 1061 DIRECT DRIVE



ITEM	PART NUMBER	DESCRIPTION	QTY.
1	12780	#7 HAIR PIN CLIP	1
2	81007	SCR HEX SELF DRILLING 1/4" X 3/4"	1
3	810958	3/8" X 2-1/4" HEX BOLT (PL)	3
4	811792	3/8" X 1-1/2" HEX BOLT GR.5 (PL)	4
5	811795	3/8" X 2" HEX BOLT (PL)	7
6	812363	3/8" LOCK NUT (PL)	20
7	812364	1/2" LOCK NUT (PL)	18
8	81588	3/8" X 4 1/2" HEX BOLT (PL)	1

ITEM	PART NUMBER	DESCRIPTION	QTY.
9	81619	1/2" X 1" HEX BOLT (PL)	7
10	81620	1/2" X 1 1/4" HEX BOLT PL	12
11	81627	1/2" X 3" HEX BOLT (PL)	2
12	81636	1/2" HEX NUT (PL)	4
13	81638	1/2" BS FLAT WASHER (PL)	11
14	84039	3/8" FLAT WASHER (PL)	10
15	84048	1/2" SAE FLAT WASHER (PL)	4
16	84072	3/8" X 3/4" HEX BOLT (PL)	4
17	84277	1/2" X 1-1/2" HEX BOLT (PL)	2
18	86170	3/8" X 1" HEX BOLT GR.5 (PL)	4
19	86171	3/8" X 1-1/4" HEX BOLT (PL)	4
20	87553	1/2" X 1.75" HEX BOLT UNC GR5 (PL)	4
21	903293	CLEVIS PIN 0.625" DIA	1
22	903294	CLEVIS HITCH WELDT	1
23	912225	DRIVELINE SHIELD	11
24	912445	PTO HNGR WELDT	1
25	912508	DRIVELINE CPLR	1
26	930559	BRKT-GUARD PIVOT	1
27	913369	TRACK STOP	2
28	913424	BEARING WOOD INTAKE	1
29	913501	EXTENSION SHIELD HOLDER WELDT 10"	1
30	913825	ASSY-CABLE BRIDGING SHORT 61'	2
31	913826	ASSY-CABLE BRIDGING LONG 61'	2
32	915334	ASSY-TRACK STOP	1
33	915549	GEARBOX COUPLER	1
34	925409	WELDT-10" INTAKE	1
35	927194	BUSH-PIVOT	2
36	927195L	SPACER	2
37	960495	INPUT BOX RING CLAMP 13/32"ID X 2-13/32"OD X 1/4"	4
38	961539	PTO HLDR PIN WELDT	1
39	962013	BRIDGING YOKE	2
40	962014	1/4" X 1" X 23" BDGING TIE BAR	2
41	964264	3/8" CABLE CLAMP	4
42	966729	3/16" LINCH PIN (PL)	1
43	F9047	DISCHARGE SPOUT	1
44	961086	GEARBOX SHIFT - 10" MODEL	1
	BU50510	GEARBOX - 10" MODEL	1
45	81549	5/16" X 3/4" HEX BOLT (PL)	4
46	81546	5/16" FLAT WASHER (PL)	4
47	812362	5/16" LOCK NUT (PL)	4
48	967392	GEARBOX PTO PLASTIC SHIELD	1

TUBES - 1061 BELT DRIVE

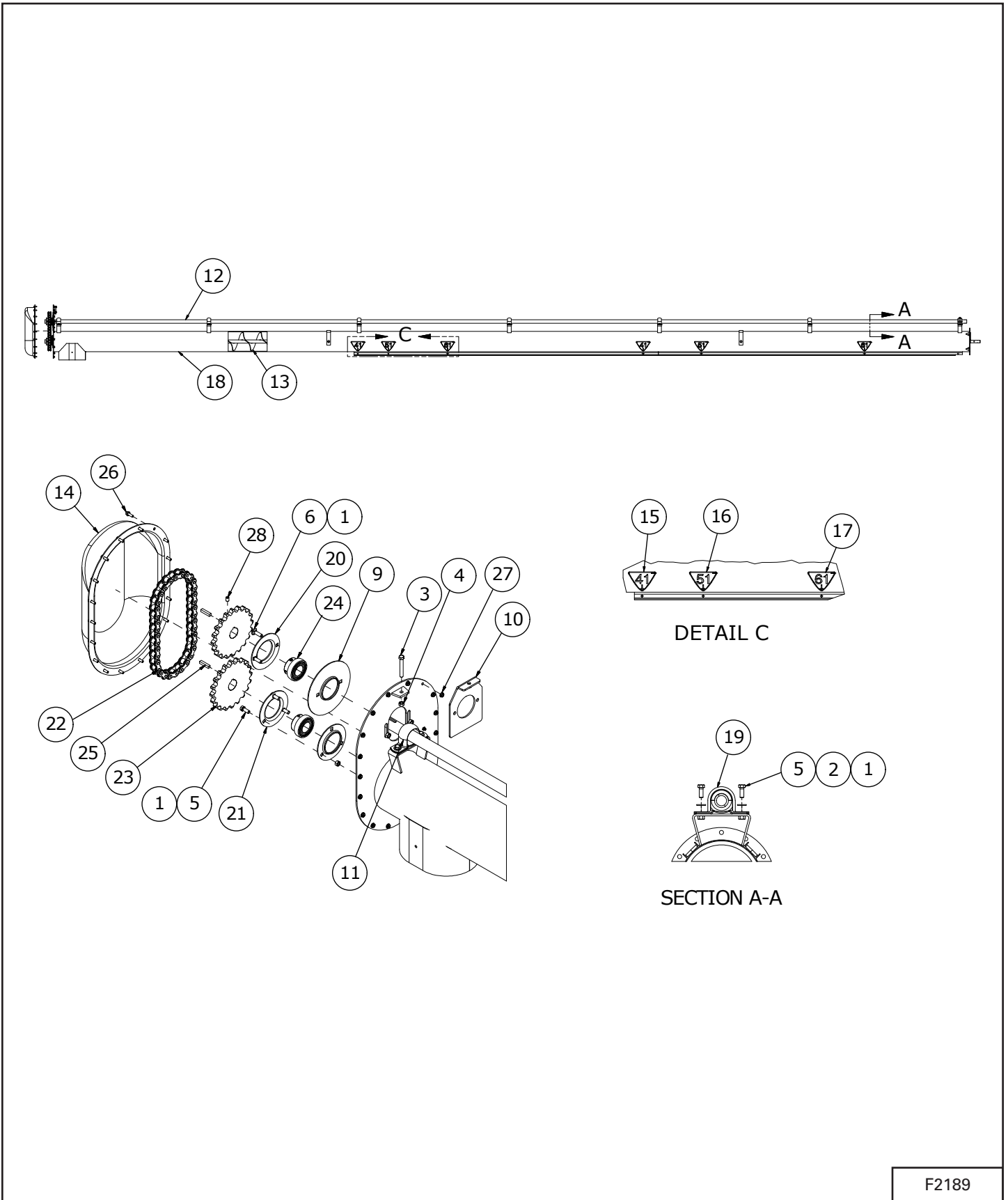


927166

ITEM	PART NUMBER	DESCRIPTION	QTY.
1	81007	SCR HEX SELF DRILLING 1/4" X 3/4"	1
2	810958	3/8" X 2-1/4" HEX BOLT (PL)	3

ITEM	PART NUMBER	DESCRIPTION	QTY.
3	811792	3/8" X 1-1/2" HEX BOLT GR.5 (PL)	4
4	811795	3/8" X 2" HEX BOLT (PL)	7
5	812363	3/8" LOCK NUT (PL)	20
6	812364	1/2" LOCK NUT (PL)	18
7	81588	3/8" X 4-1/2" HEX BOLT (PL)	1
8	81619	1/2" X 1" HEX BOLT (PL)	7
9	81620	1/2" X 1-1/4" HEX BOLT PL	12
10	81627	1/2" X 3" HEX BOLT (PL)	2
11	81636	1/2" HEX NUT (PL)	4
12	81638	1/2" BS FLAT WASHER (PL)	11
13	84039	3/8" FLAT WASHER (PL)	10
14	84048	1/2" SAE FLAT WASHER (PL)	4
15	84072	3/8" X 3/4" HEX BOLT (PL)	4
16	84268	5/8" X 1-1/2" HEX BOLT (PL)	2
17	86170	3/8" X 1" HEX BOLT GR.5 (PL)	2
18	86171	3/8" X 1-1/4" HEX BOLT (PL)	4
19	87553	1/2" X 1.75" HEX BOLT UNC GR5 (PL)	4
20	903293	CLEVIS PIN 0.625" DIA	1
21	903294	CLEVIS HITCH WELDT	1
22	912225	DRIVELINE SHIELD	9
23	912508	DRIVELINE CPLR	1
24	912774	ASSY-GEARBOX BRKT 10"	1
25	913369	TRACK STOP	2
26	913424	BEARING WOOD INTAKE	1
27	913501	EXTENSION SHIELD HOLDER WELDT 10"	1
28	913825	ASSY-CABLE BRIDGING SHORT 61'	2
29	913826	ASSY-CABLE BRIDGING LONG 61'	2
30	915334	ASSY-TRACK STOP	1
31	915549	GEARBOX COUPLER	1
32	925409	WELDT-10" INTAKE	1
33	927194	BUSH-PIVOT	2
34	927195L	SPACER	2
35	960495	INPUT BOX RING CLAMP 13/32"ID X 2-13/32"OD X 1/4"	4
36	962013	BRIDGING YOKE	2
37	962014	1/4" X 1" X 23" BDGINGTIE BAR	2
38	964264	3/8" CABLE CLAMP	4
39	966729	3/16" LINCH PIN (PL)	1
40	F9047	DISCHARGE SPOUT	1
41	961086	GEARBOX SHIFT - 10" MODEL	1
	BU50510	GEARBOX - 10" MODEL	1

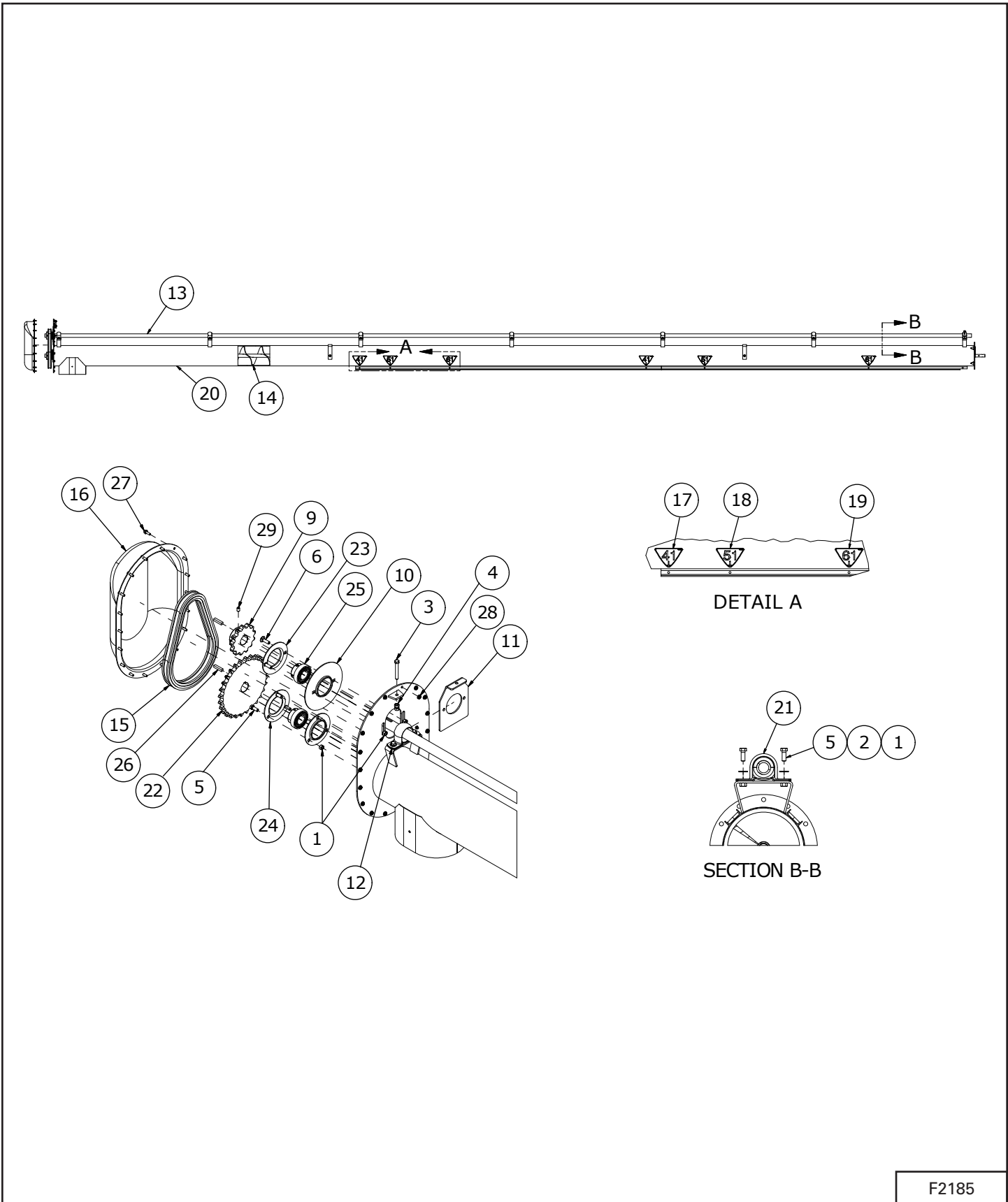
TOP SECTION - 841, 851, 861 DIRECT DRIVE



F2189

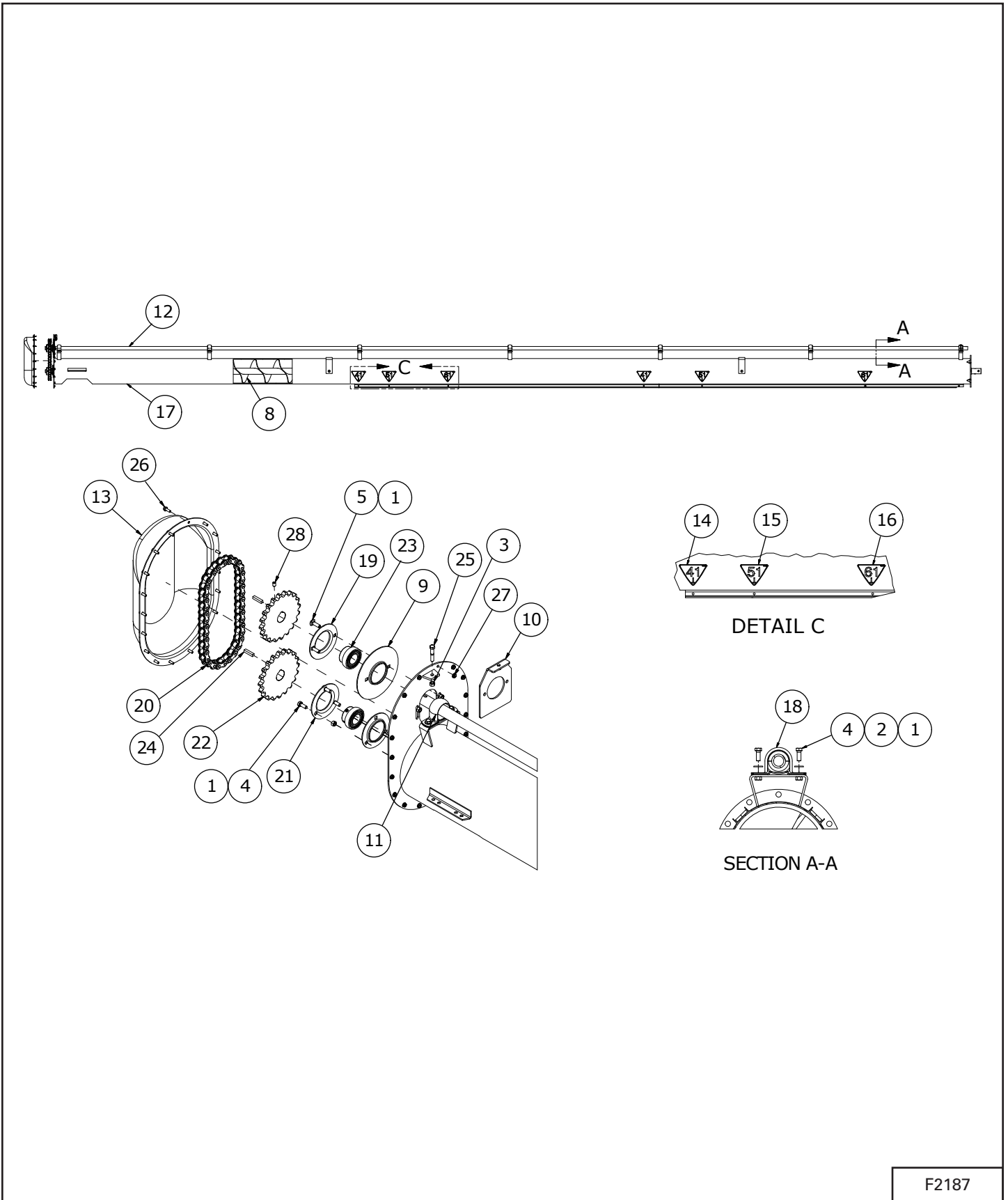
ITEM	PART NUMBER	DESCRIPTION	QTY.
1	812363	3/8" LOCK NUT (PL)	19
2	81570	3/8" STD FLATWASH (PL)	14
3	81582	BOLT, FULL 3/8" X 2-3/4" HEX GR.5 (PL)	1
4	81592	3/8" HEX NUT (PL)	1
5	86170	3/8" X 1" HEX BOLT GR.5 (PL)	17
6	86182	3/8 X 1-1/4 CARRIAGE BOLT (PL)	2
7	904902	GREASE GRADE 2	1
8	907388	SILAPRENE (300ML TUBE)	1
9	912280	2-HOLE 1 3/8" BRG FLG	1
10	912282	CHAIN TIGHTNER BRKT WELDT	1
11	912292	STEEL FLANGE (WOODEN BEARING 1 3/8")	1
12	912484	DRIVELINE WELDT - TOP SECT	1
13	912934	TOP SECTION FLIGHTING WELDT 8"	1
14	913731	TOP END COVER (STEEL)	1
15	917475	DECAL-TRACK STOP 41'	2
16	917476	DECAL-TRACK STOP 51'	2
17	917477	DECAL-TRACK STOP 61'	2
18	927249	TOP SECT WELDT 8"	1
19	960789	WOODEN BEARING (Ø1 3/8")	6
20	961091	2-HOLE 1 3/8" BRG FLANGE	1
21	961675	BEARING FLANGE 72MS	2
22	961997	#80 CHAIN (36 LINK)	1
23	961998	20T SPRKT #80 (1-3/8" BORE)	2
24	965917	1-3/8" BEARING	2
25	967041	5/16" X 5/16" X 1 1/2" SPRKT KEY	2
26	967473	1/4" X 3/4" FLANGE BOLT (PL)	18
27	967474	1/4" FLANGE HEX NUT (PL)	18
28	985639	3/8" X 1/2" SOCKET SET SCREW (BR)	4

TOP SECTION - 841, 851, 861 BELT DRIVE



ITEM	PART NUMBER	DESCRIPTION	QTY.
1	812363	3/8" LOCK NUT (PL)	19
2	81570	3/8" STD FLATWASH (PL)	14
3	81582	BOLT, FULL 3/8" X 2-3/4" HEX GR.5 (PL)	1
4	81592	3/8" HEX NUT (PL)	1
5	86170	3/8" X 1" HEX BOLT GR.5 (PL)	17
6	86182	3/8 X 1-1/4 CARRIAGE BOLT (PL)	2
7	904902	GREASE GRADE 2	1
8	907388	SILAPRENE (300ML TUBE)	1
9	910071	#H80 X 13T SPROCKET W/ 1-3/8" BORE	1
10	912280	2-HOLE 1-3/8" BRG FLG	1
11	912282	CHAIN TIGHTNER BRKT WELDT	1
12	912292	STEEL FLANGE (WOODEN BEARING 1-3/8")	1
13	912484	DRIVELINE WELDT - TOP SECT	1
14	912934	TOP SECTION FLIGHTING WELDT 8"	1
15	913676	#80 CHAIN 37 LINK W/ CONN & OFFSET	1
16	913731	TOP END COVER (STEEL)	1
17	917475	DECAL-TRACK STOP 41'	2
18	917476	DECAL-TRACK STOP 51'	2
19	917477	DECAL-TRACK STOP 61'	2
20	927249	TOP SECT WELDT 8"	1
21	960789	WOODEN BEARING (Ø1-3/8")	6
22	961042	#H80 X 28T SPROCKET W/ 1-3/8" BORE	1
23	961091	2-HOLE 1-3/8" BRG FLANGE	1
24	961675	BEARING FLANGE 72MS	2
25	965917	1-3/8" BEARING	2
26	967041	5/16" X 5/16" X 1-1/2" SPRKT KEY	2
27	967473	1/4" X 3/4" FLANGE BOLT (PL)	18
28	967474	1/4" FLANGE HEX NUT (PL)	18
29	985639	3/8" X 1/2" SOCKET SET SCREW (BR)	4

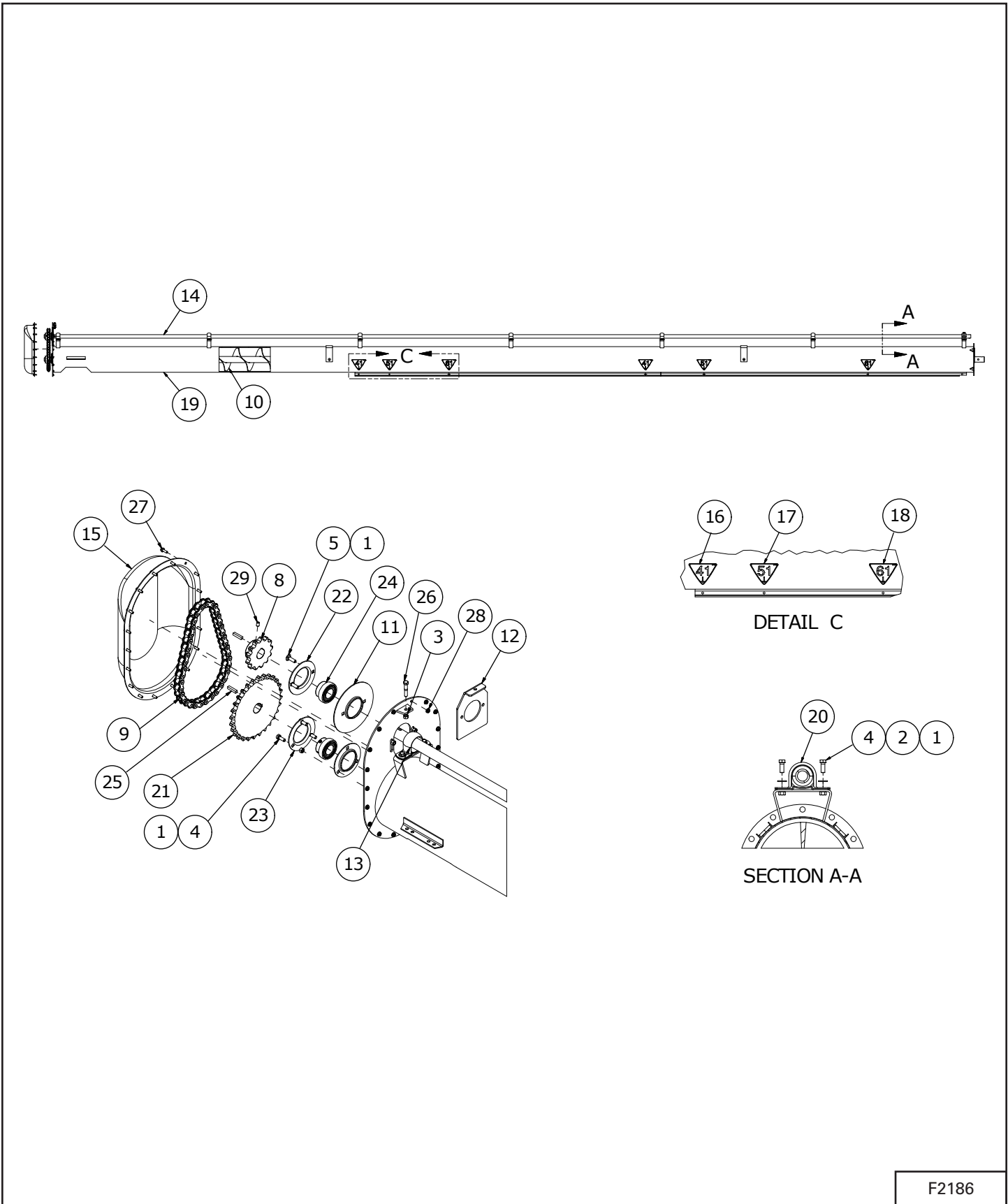
TOP SECTION - 1041, 1051, 1061 DIRECT DRIVE



F2187

ITEM	PART NUMBER	DESCRIPTION	QTY.
1	812363	3/8" LOCK NUT (PL)	19
2	81570	3/8" STD FLAT WASH (PL)	14
3	81592	3/8" HEX NUT (PL)	1
4	86170	3/8" X 1" HEX BOLT GR.5 (PL)	17
5	86182	3/8 X 1-1/4 CARRIAGE BOLT (PL)	2
6	904902	GREASE GRADE 2	1
7	907388	SILAPRENE (300ML TUBE)	1
8	912179	TOP SECTION FLIGHTING WELDMENT 10"	1
9	912280	2-HOLE 1-3/8" BRG FLG	1
10	912282	CHAIN TIGHTNER BRKT WELDT	1
11	912292	STEEL FLANGE (WOODEN BEARING 1-3/8")	1
12	912484	DRIVELINE WELDT - TOP SECT	1
13	913731	TOP END COVER (STEEL)	1
14	917475	DECAL-TRACK STOP 41'	2
15	917476	DECAL-TRACK STOP 51'	2
16	917477	DECAL-TRACK STOP 61'	2
17	927262	TOP SECTION WELDMENT 10"	1
18	960789	WOODEN BEARING (Ø1-3/8")	6
19	961091	2-HOLE 1-3/8" BRG FLANGE	1
20	961181	#80 CHAIN (38 LINK)	1
21	961675	BEARING FLANGE 72MS	2
22	961998	20T SPRKT #80 (1-3/8" BORE)	2
23	965917	1-3/8" BEARING	2
24	967041	5/16" X 5/16" X 1-1/2" SPRKT KEY	2
25	967291	3/8" X 2" FULL THREAD HEX BOLT (PL)	1
26	967473	1/4" X 3/4" FLANGE BOLT (PL)	18
27	967474	1/4" FLANGE HEX NUT (PL)	18
28	985639	3/8" X 1/2" SOCKET SET SCREW (BR)	4

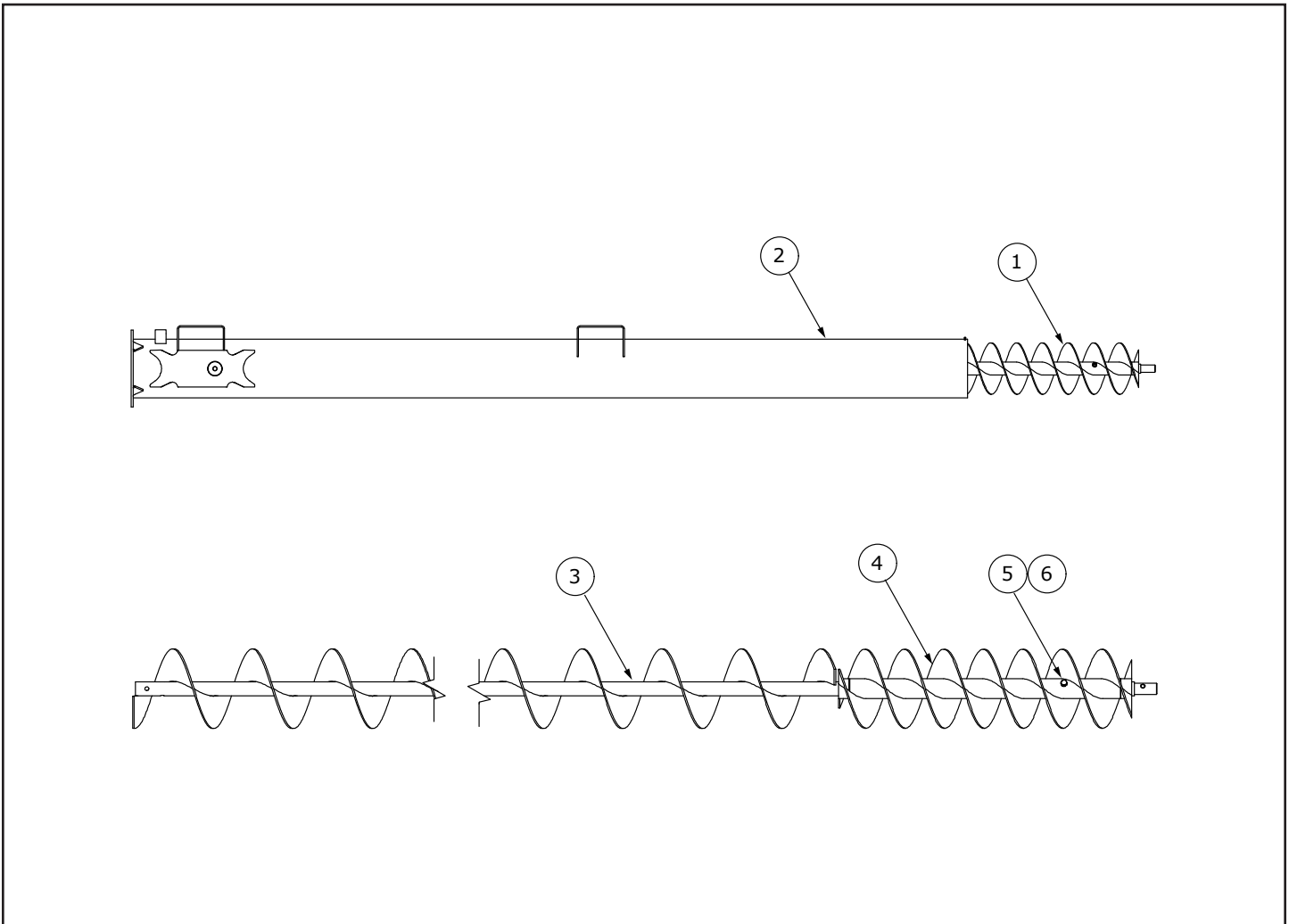
TOP SECTION - 1041, 1051 BELT DRIVE



F2186

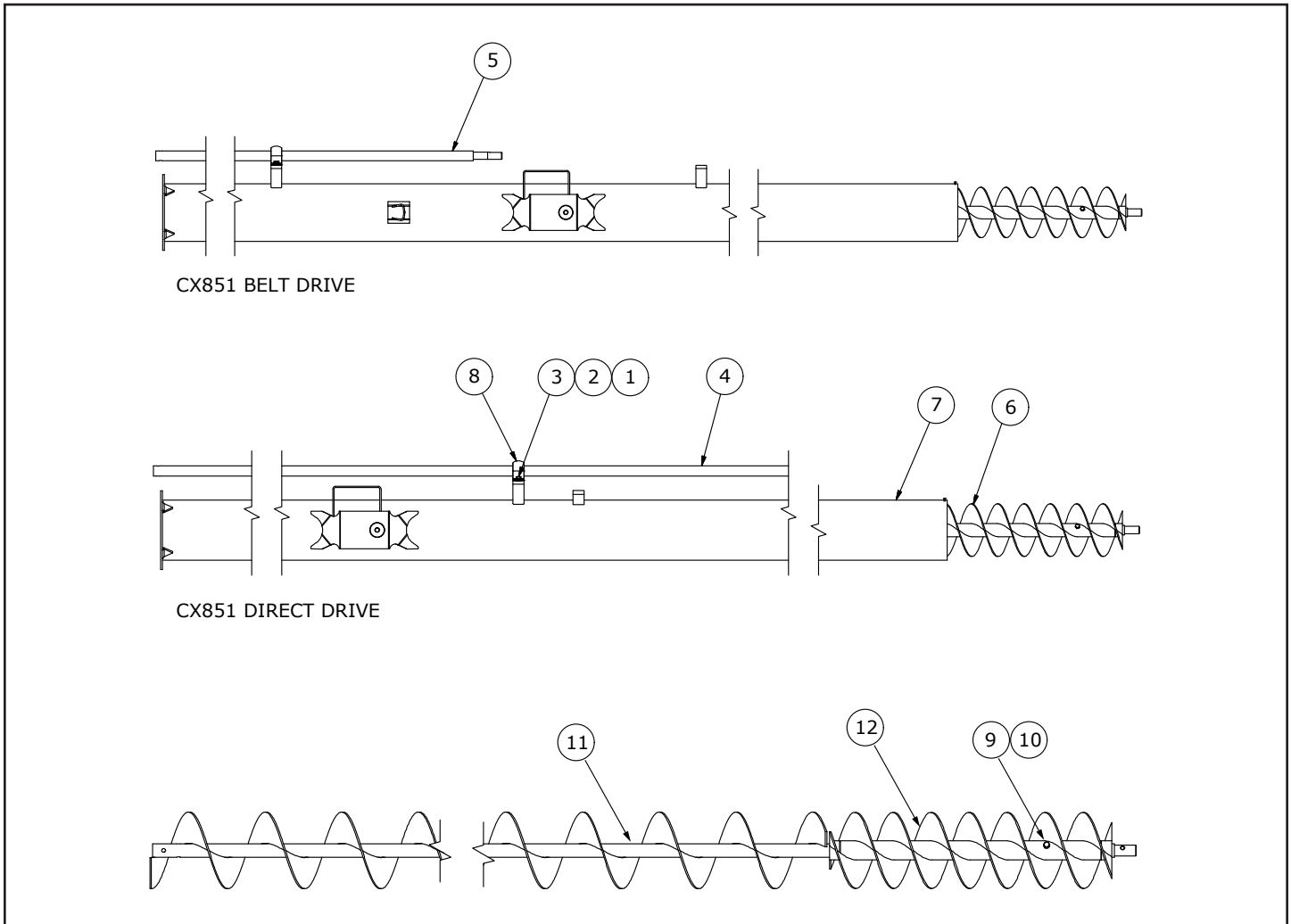
ITEM	PART NUMBER	DESCRIPTION	QTY.
1	812363	3/8" LOCK NUT (PL)	19
2	81570	3/8" STD FLAT WASH (PL)	14
3	81592	3/8" HEX NUT (PL)	1
4	86170	3/8" X 1" HEX BOLT GR.5 (PL)	17
5	86182	3/8 X 1-1/4 CARRIAGE BOLT (PL)	2
6	904902	GREASE GRADE 2	1
7	907388	SILAPRENE (300ML TUBE)	1
8	910071	#H80 X 13T SPROCKET W/ 1-3/8" BORE	1
9	910072	#80 CHAIN 39 LINK W/ CONN & OFFSET	1
10	912179	TOP SECTION FLIGHTING WELDMENT 10"	1
11	912280	2-HOLE 1-3/8" BRG FLG	1
12	912282	CHAIN TIGHTNER BRKT WELDT	1
13	912292	STEEL FLANGE (WOODEN BEARING 1-3/8")	1
14	912484	DRIVELINE WELDT - TOP SECT	1
15	913731	TOP END COVER (STEEL)	1
16	917475	DECAL-TRACK STOP 41'	2
17	917476	DECAL-TRACK STOP 51'	2
18	917477	DECAL-TRACK STOP 61'	2
19	927262	TOP SECTION WELDMENT 10"	1
20	960789	WOODEN BEARING (Ø1-3/8")	6
21	961042	#H80 X 28T SPROCKET W/ 1-3/8" BORE	1
22	961091	2-HOLE 1-3/8" BRG FLANGE	1
23	961675	BEARING FLANGE 72MS	2
24	965917	1-3/8" BEARING	2
25	967041	5/16" X 5/16" X 1-1/2" SPRKT KEY	2
26	967291	3/8" X 2" FULL THREAD HEX BOLT (PL)	1
27	967473	1/4" X 3/4" FLANGE BOLT (PL)	18
28	967474	1/4" FLANGE HEX NUT (PL)	18
29	985639	3/8" X 1/2" SOCKET SET SCREW (BR)	4

BOTTOM SECTION - 841, 1041



ITEM	PART NUMBER	DESCRIPTION	QTY.
1	925267	ASSY - CX841 BOTTOM FLTG	1
	925401	ASSY - CX1041 BOTTOM FLTG	1
2	927220	WELDT - CX841 BTM	1
	927211	WELDT - CX1041 BTM	1
3	925269	WELDT - CX841 BOTTOM FLTG	1
	925402	WELDT - CX1041 BOTTOM FLTG	1
4	925709	WELDT - 8" DOUBLE REPLACEABLE FLTG	1
	925697	WELDT - 10" DOUBLE REPLACEABLE FLTG	1
5	812362	5/16" LOCK NUT (PL) - CX841	1
	812364	1/2" LOCK NUT (PL) - CX1041	1
6	811688	BOLT - 5/16" X 2-1/4" (PL) GR.5 - CX841	1
	81629	HEX BOLT - 1/2" X 3-1/2" (PL) - CX1041	1

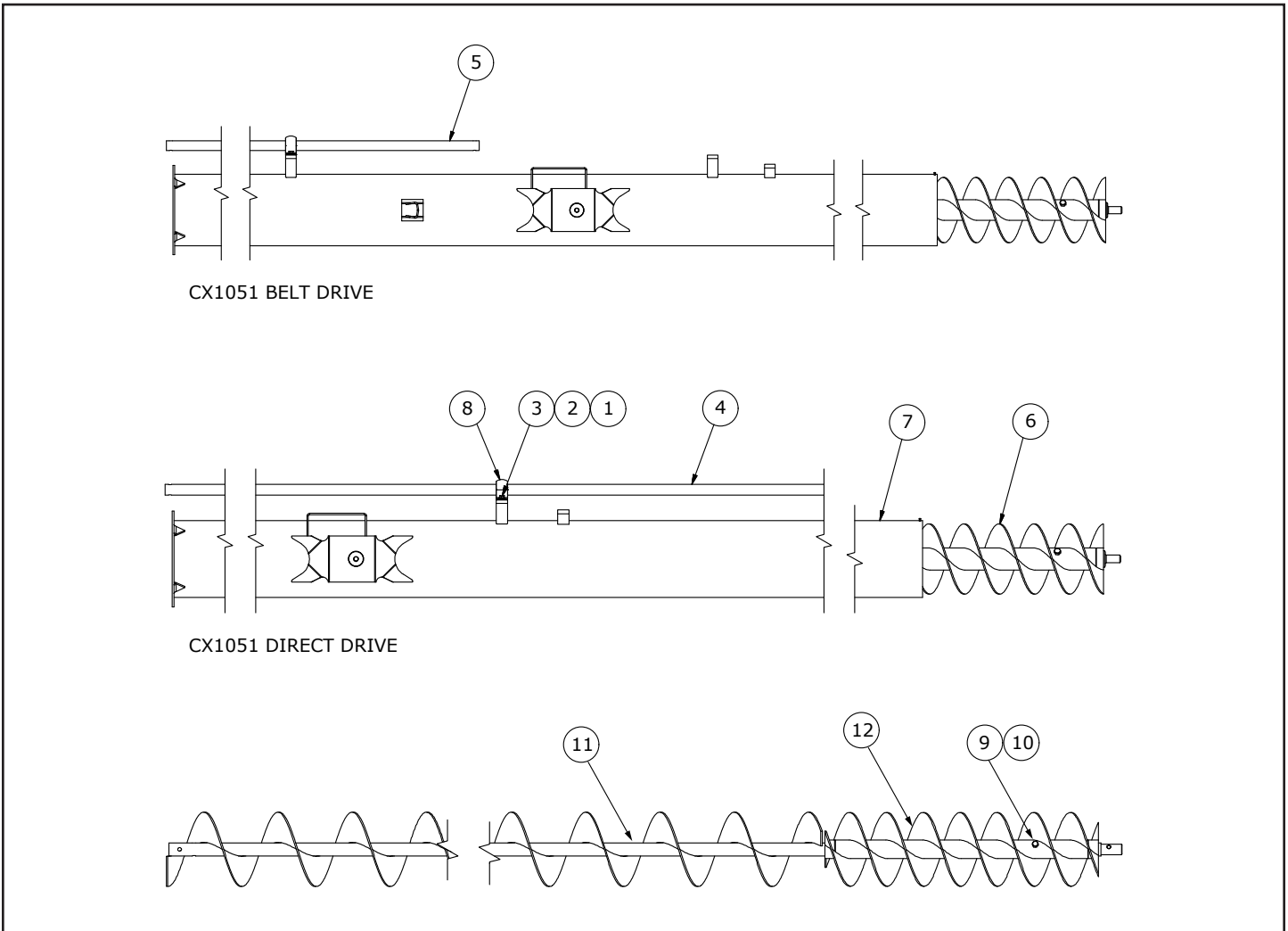
BOTTOM SECTION - 851



ITEM	PART NUMBER	DESCRIPTION	QTY.
1	812363	3/8" LOCK NUT (PL)	*
2	81570	3/8" STD FLATWASH (PL)	*
3	86170	3/8" X 1" HEX BOLT GR.5 (PL)	*
4	913333	DRIVELINE WELDMENT EXT - 851D	1
5	913373	DRIVELINE WELDMENT EXT - 851E/P	1
6	925443	ASSY - CX851 BOTTOM FLTG	1
7	927176	WELDT - CX851 BTM	1
8	960789	WOODEN BEARING (Ø1-3/8")	*
9	811688	BOLT-5/16" X 2-1/4" (PL) GR.5	1
10	812362	5/16" LOCK NUT (PL)	1
11	925444	WELDT - CX851 BOTTOM FLTG	1
12	925709	WELDT - 8" DOUBLE REPLACEABLE FLTG	1

* AS REQUIRED

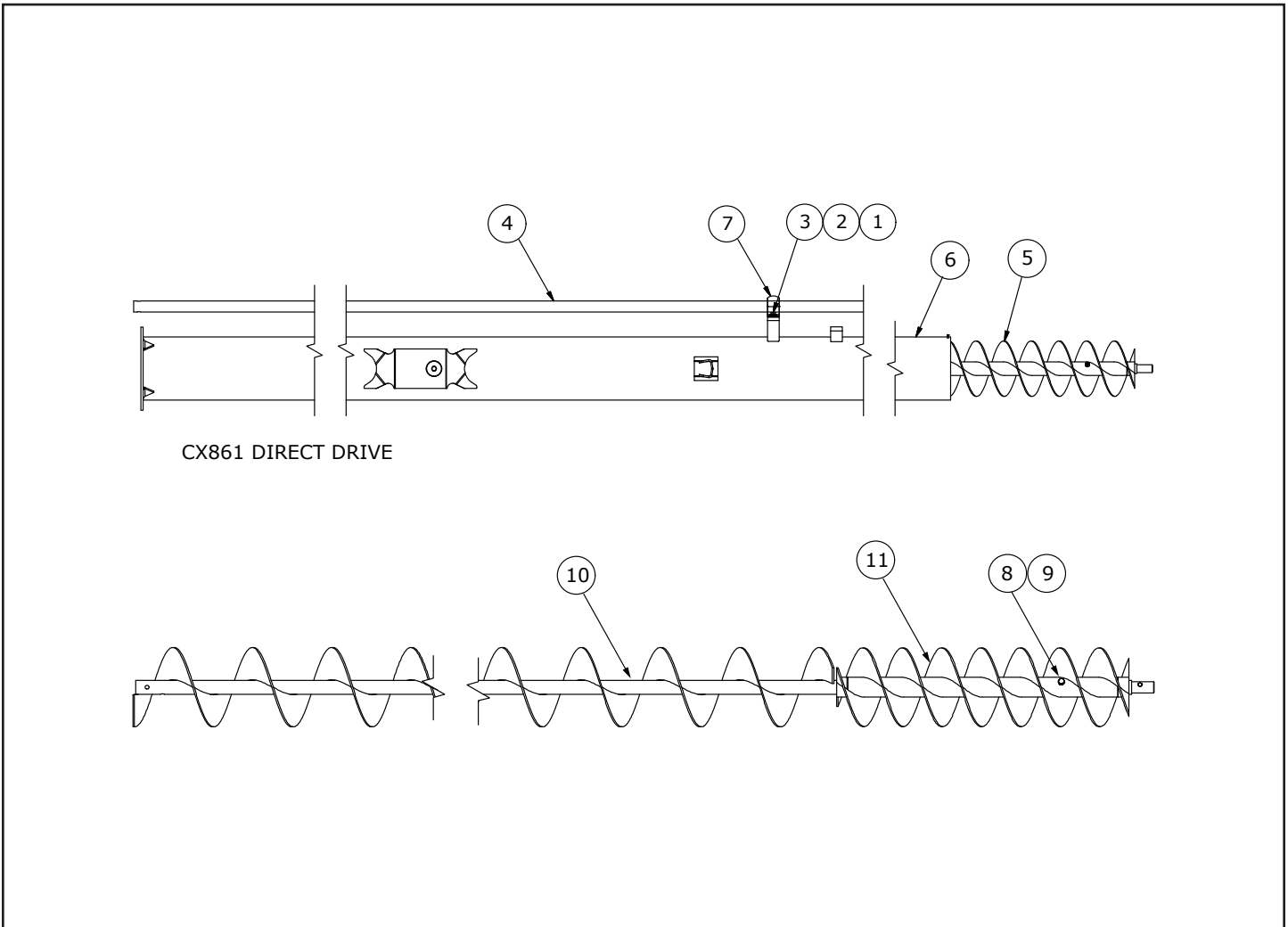
BOTTOM SECTION - 1051



ITEM	PART NUMBER	DESCRIPTION	QTY.
1	812363	3/8" LOCK NUT (PL)	*
2	81570	3/8" STD FLATWASH (PL)	*
3	86170	3/8" X 1" HEX BOLT GR.5 (PL)	*
4	912968	DRIVELINETUBE - 1051D	1
5	912512	DRIVELINETUBE EXT - 1051E/P	1
6	925452	ASSY - CX1051 BOTTOM FLTG	1
7	927302	WELDT - CX1051 BTM	1
8	960789	WOODEN BEARING (Ø1-3/8")	*
9	812364	1/2" LOCK NUT (PL)	1
10	81629	1/2" X 3 1/2" HEX BOLT (PL)	1
11	925453	WELDT - CX1051 BOTTOM FLTG	1
12	925697	WELDT - 10" DOUBLE REPLACEABLE	1

* AS REQUIRED

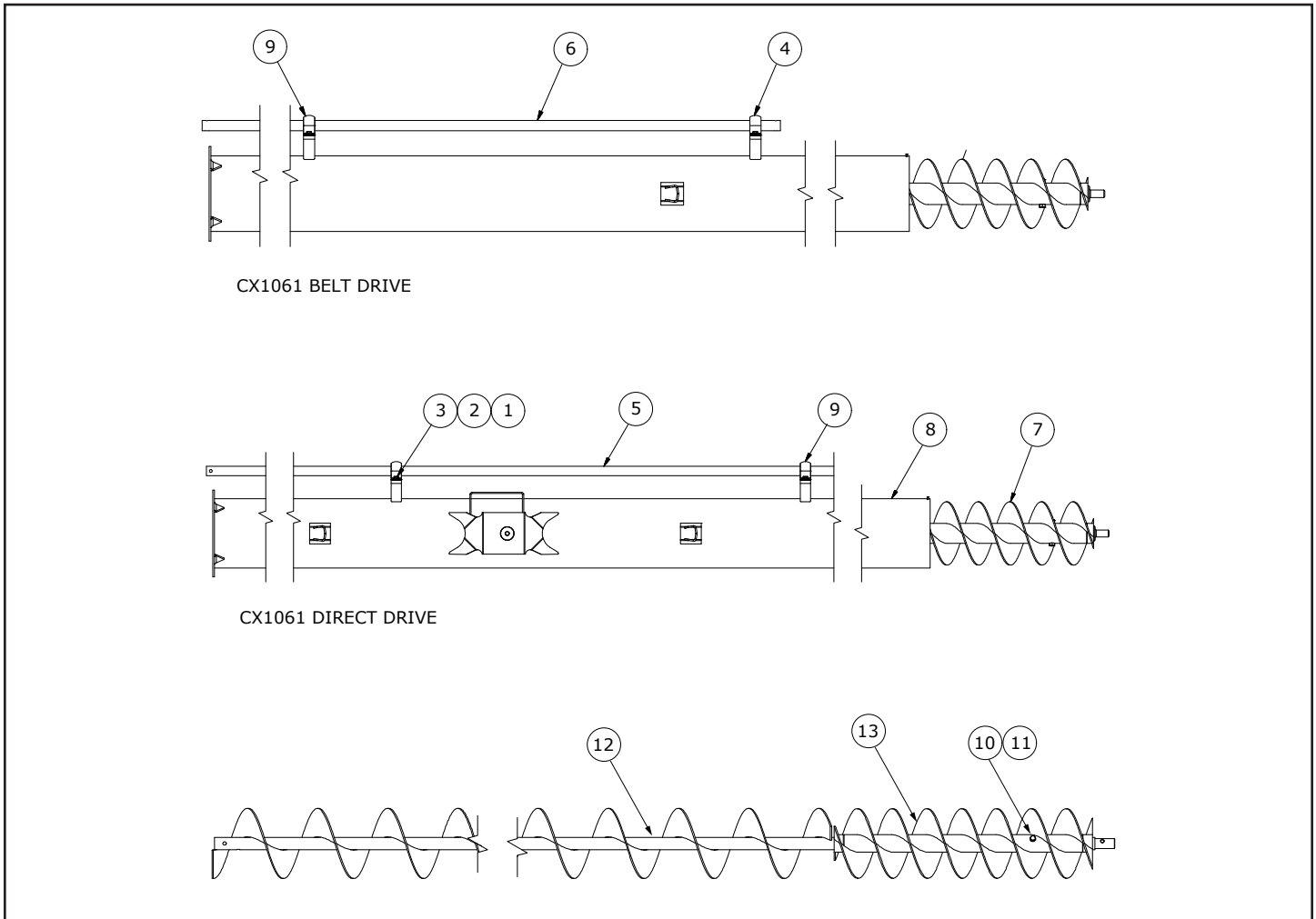
BOTTOM SECTION - 861



ITEM	PART NUMBER	DESCRIPTION	QTY.
1	812363	3/8" LOCK NUT (PL)	*
2	81570	3/8" STD FLAT WASH (PL)	*
3	86170	3/8" X 1" HEX BOLT GR.5 (PL)	*
4	913649	DRIVELINE WELDMENT EXT - 861D	1
5	925516	ASSY - CX861 BOTTOM FLTG	1
6	927144	WELDT - CX861 BTM	1
7	960789	WOODEN BEARING (Ø1-3/8")	*
8	811688	BOLT 5/16" X 2-1/4" (PL) GR.5	1
9	812362	5/16" LOCK NUT (PL)	1
10	925517	WELDT - CX861 BOTTOM FLTG	1
11	925709	WELDT - 8" DOUBLE REPLACEABLE	1

* AS REQUIRED

BOTTOM SECTION - 1061



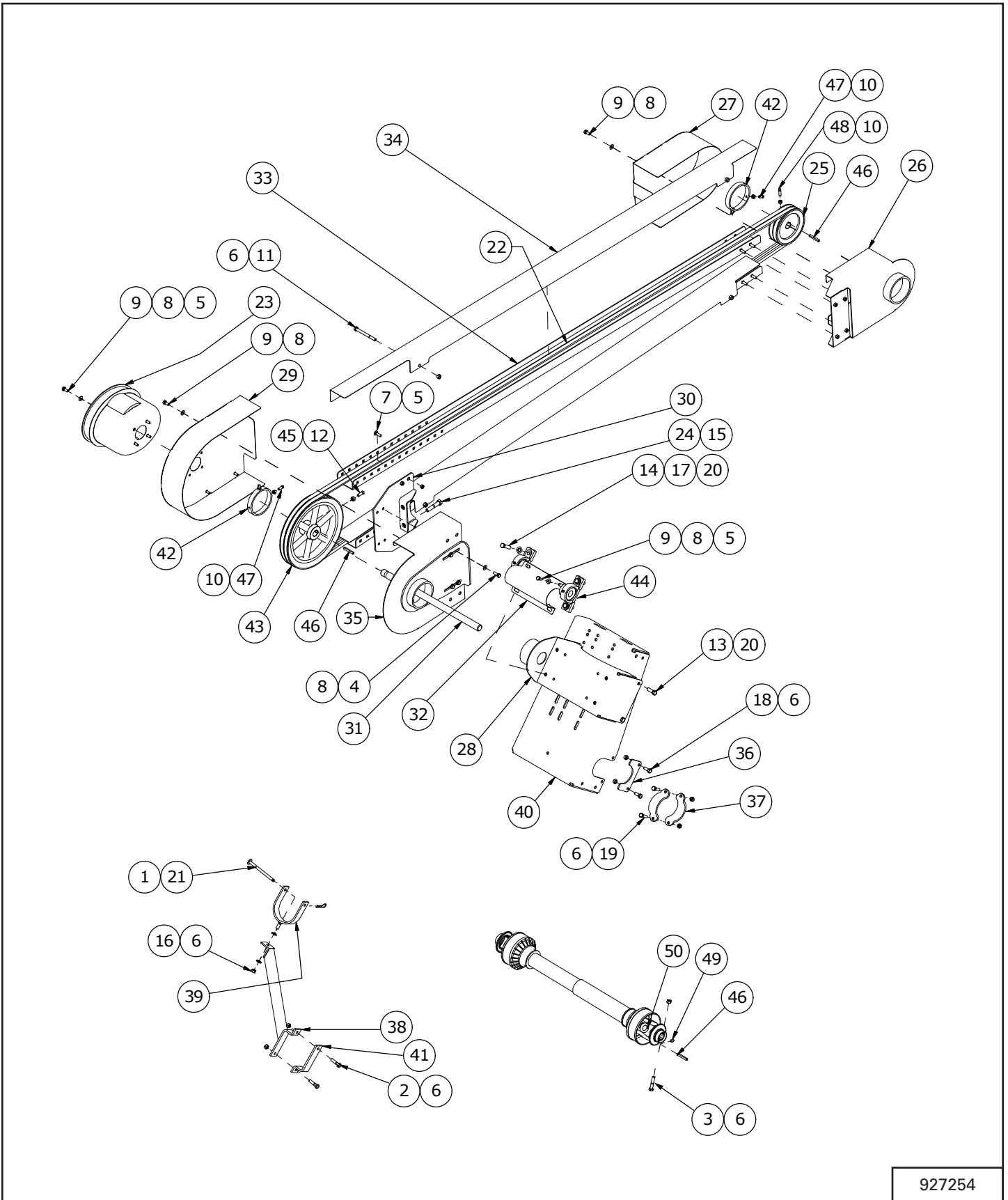
ITEM	PART NUMBER	DESCRIPTION	QTY.
1	812363	3/8" LOCK NUT (PL)	*
2	81570	3/8" STD FLAT WASH (PL)	*
3	86170	3/8" X 1" HEX BOLT GR.5 (PL)	*
4	912292	STEEL FLANGE (WOODEN BEARING 1-3/8") - 1061E/P	1
5	912507	DRIVELINETUBE EXT - 1061D	1
6	913708	DRIVELINETUBE EXT - 1061E/P	1
7	925525	ASSY - CX1061 BOTTOM FLTG	1
8	927164	WELDT - CX1061 BTM	1
9	960789	WOODEN BEARING (Ø1-3/8")	*
10	812364	1/2" LOCK NUT (PL)	1
11	81629	1/2" X 3 1/2" HEX BOLT (PL)	1
12	925527	WELDT - CX1061 BOTTOM FLTG	1
13	925697	WELDT - 10" DOUBLE REPLACEABLE	1

* AS REQUIRED

Farm King



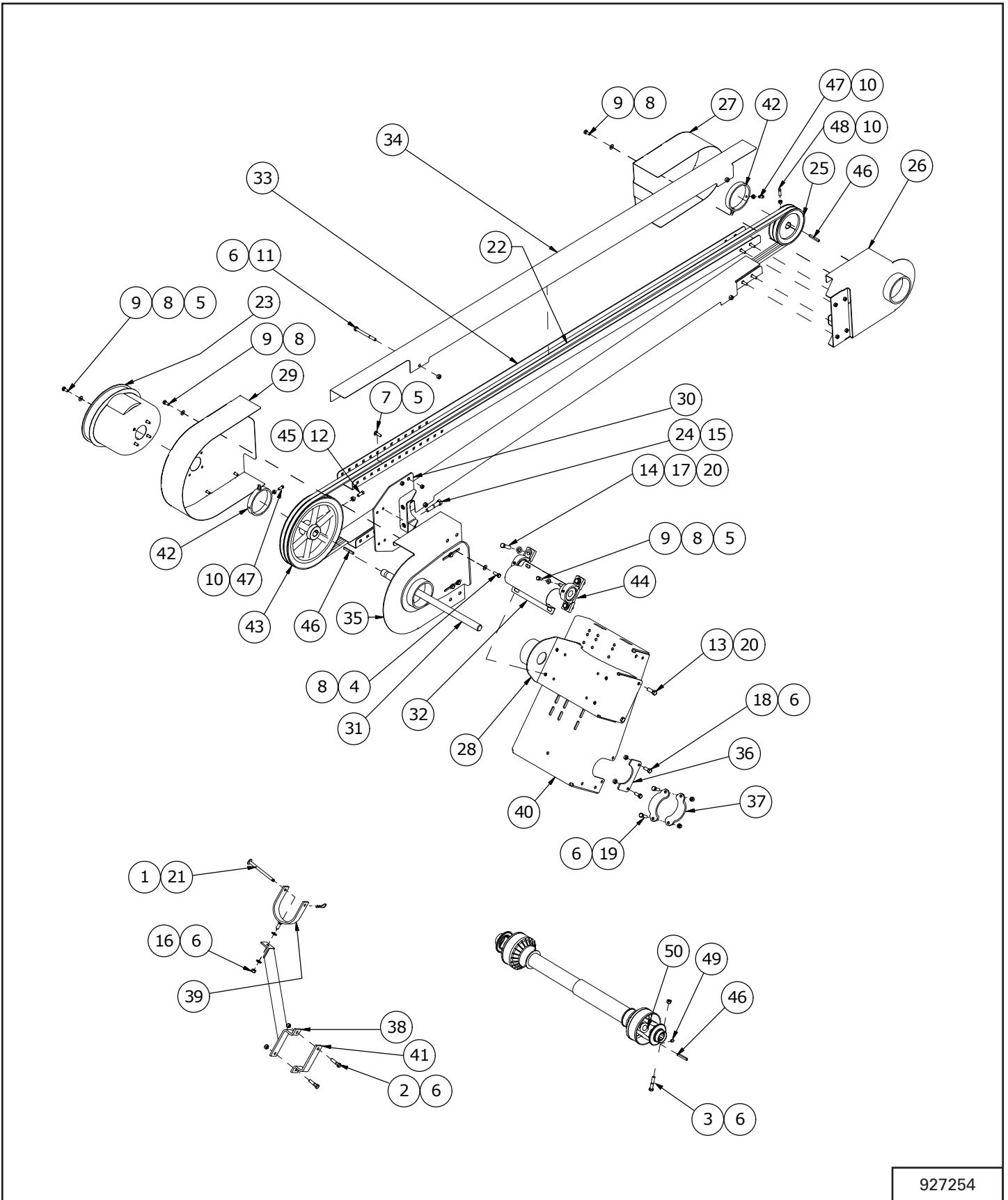
BELT DRIVE - 841, 851 PTO



927254

ITEM	PART NUMBER	DESCRIPTION	QTY.
1	12780	#7 HAIR PIN CLIP	1
2	811792	3/8" X 1-1/2" HEX BOLT GR.5 (PL)	2
3	811795	3/8" X 2" HEX BOLT (PL)	1
4	812026	5/16" X 1" HEX BOLT (PL)	4
5	812362	5/16" LOCK NUT (PL)	16
6	812363	3/8" LOCK NUT (PL)	16
7	812626	BOLT CARR 0.313NC X 1.00GR5PL	8
8	81546	5/16" FLAT WASHER (PL)	24
9	81549	5/16" X 3/4" HEX BOLT (PL)	16
10	81568	5/16" HEX NUT (PL)	6
11	81587	3/8" X 4" HEX BOLT (PL)	4
12	81592	3/8" HEX NUT (PL)	2
13	81598	7/16" X 1-1/4" HEX BOLT (PL)	4
14	81600	7/16" X 1-3/4" HEX BOLT GR5 PL	4
15	81636	1/2" HEX NUT (PL)	2
16	84039	3/8" FLAT WASHER (PL)	2
17	84041	7/16" SAE FLAT WASHER (PL)	8
18	86170	3/8" X 1" HEX BOLT GR.5 (PL)	4
19	86171	3/8" X 1-1/4" HEX BOLT (PL)	4
20	86273	7/16" LOCK NUT (PL)	8
21	904445	PTO HOLDER PIN WELDT	1
22	906565	B-230 V-BELT - 841	2
	961002	B-287 V-BELT - 851	2
23	907349	FRONT PTO GUARD	1
24	907986	1/2" X 2-1/2" HEX BOLT FULL THREAD (PL)	2

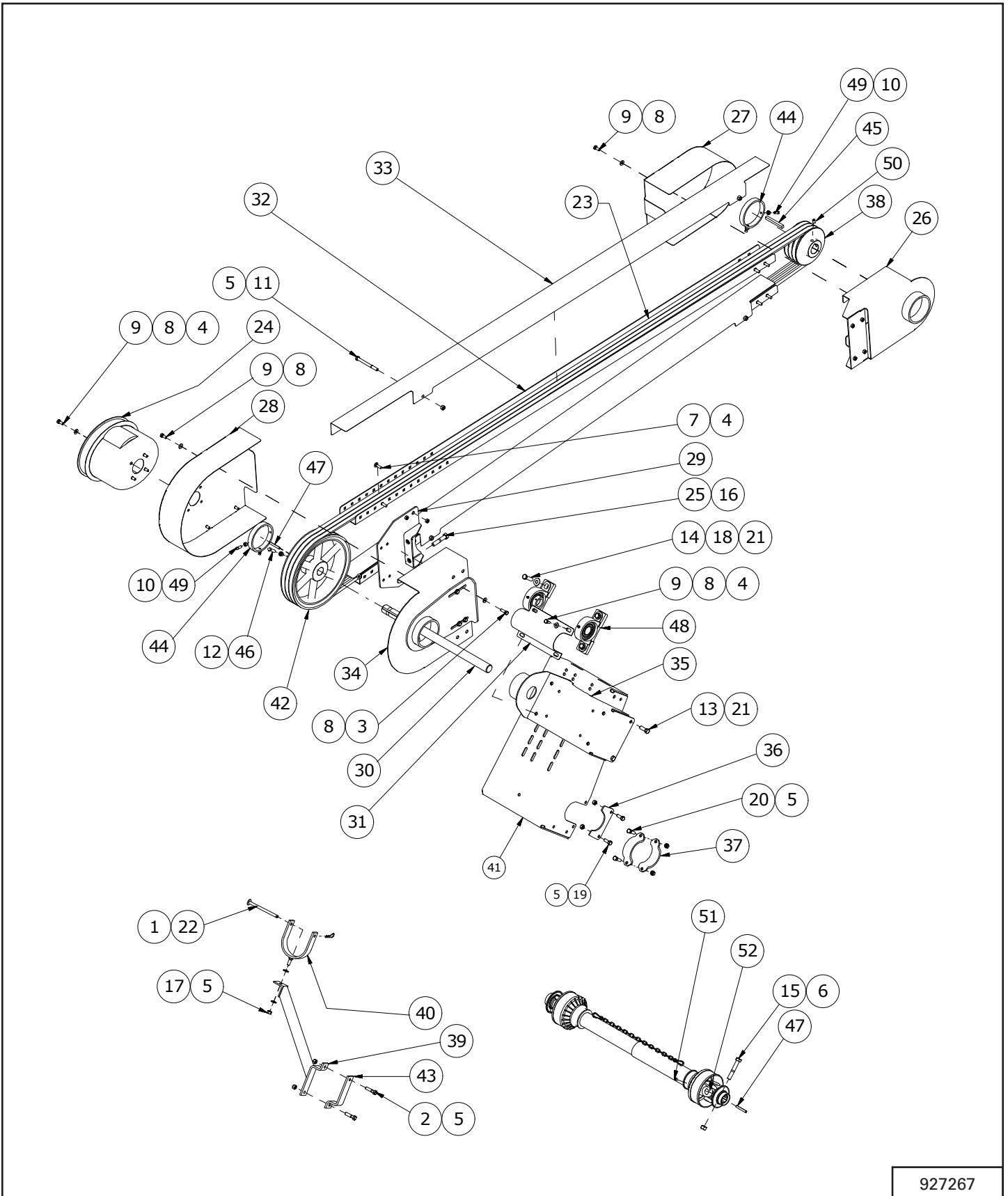
BELT DRIVE - 841, 851 PTO - CONTINUED



927254

ITEM	PART NUMBER	DESCRIPTION	QTY.
25	909014	6" DOUBLE SHEAVE	1
26	913608	WELDT-CA MOVER BELT GUARD	1
27	913609	ASSY-BELT GUARD COVER	1
28	913613	WELDT-PTO BELT DRIVE MOUNT	1
29	913617	WELDT-BELT GUARD COVER	1
30	913621	WELDT-BELT GUARD	1
31	913631	PTO ARBOR SHFT 1.000 X 20.75	1
32	913634	PTO KIT SHIELD	1
33	913763	GUARD-LOWER TRAY - 841	2
	913359	GUARD-LOWER TRAY - 851	2
34	913765	GUARD-COVER - 841	2
	913366	GUARD-COVER - 851	2
35	913769	WELDT-CA MOVER BELT GUARD	1
36	915245L	PLATE-ENGINE MOUNT PIVOT	2
37	915251	BRKT-ENGINE MOUNT STOP	4
38	916236	WELDT-PTO HOLDER ARM	1
39	916245	WELDT-PTO HOLDER	1
40	927185	BRKT-ENGINE MOUNT CA MOVER	1
41	961381	PTO HLDR BRKT 1/4 X 1-1/2 X 7"	1
42	961383	GUARD HOLDER RING 4-1/2"OD	2
43	961567	12" DBL SHEAVE	1
44	961792	HOUSING W/BEARING PILLOW (P205)	2
45	967464	3/8" X 1-1/4" SQ HD SET SCREW (BR)	2
46	968811	1/4" SQ X 2" KEY	3
47	9812377	5/16" X 3/4" SQ HEAD SET SCR (PL)	4
48	981461	5/16" X 1" SQ. HD. SET SCREW (BR)	2
49	988999	3/8" X 3/8" SOCKET SET SCREW (BR)	1
50	F0444	PTO SHAFT (1-3/8 - 6 SPLINE) 1" SHAFT	1

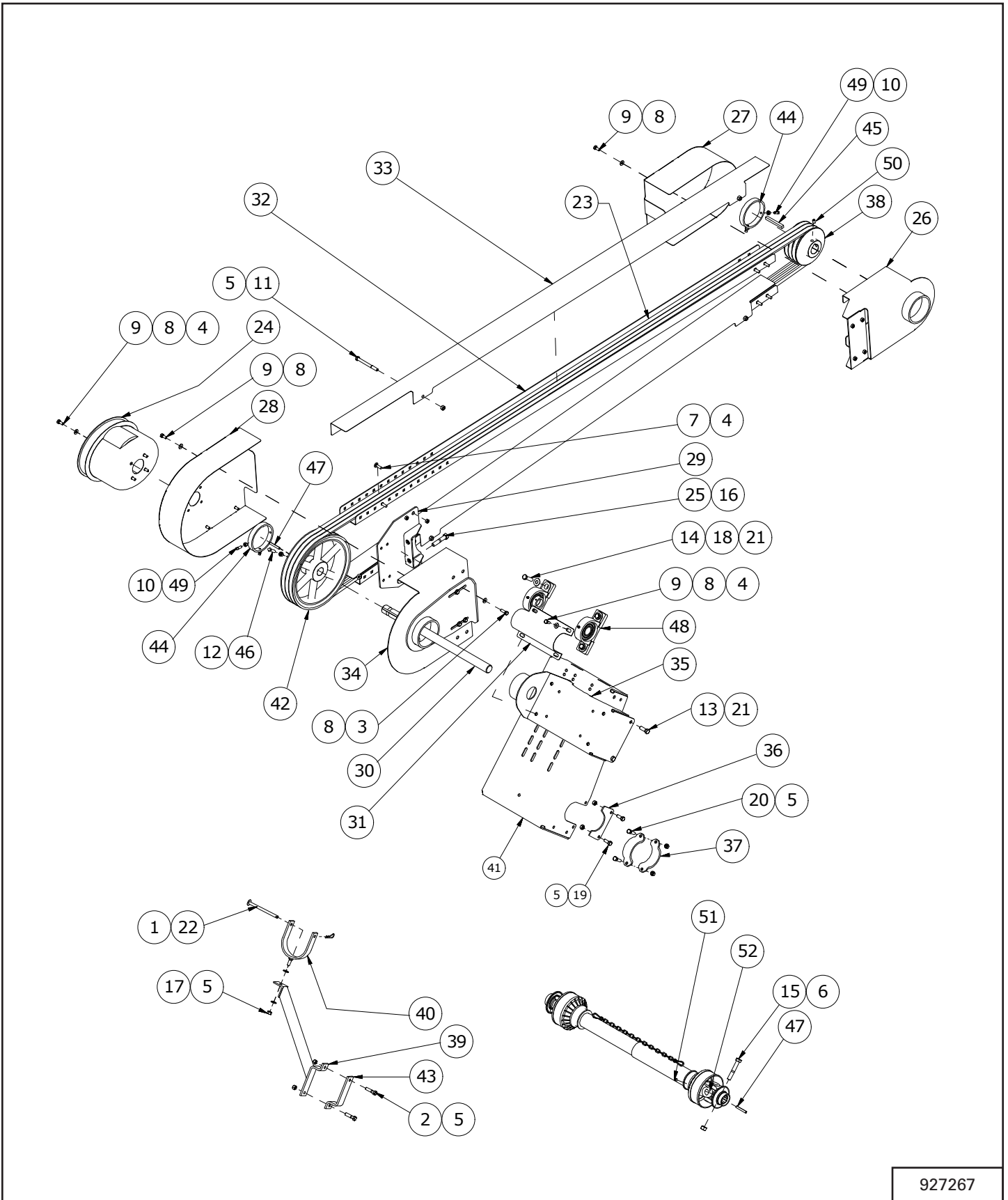
BELT DRIVE - 1041, 1051, 1061 PTO



927267

ITEM	PART NUMBER	DESCRIPTION	QTY.
1	12780	#7 HAIR PIN CLIP	1
2	811792	3/8" X 1-1/2" HEX BOLT GR.5 (PL)	2
3	812026	5/16" X 1" HEX BOLT (PL)	4
4	812362	5/16" LOCK NUT (PL)	16
5	812363	3/8" LOCK NUT (PL)	15
6	812364	1/2" LOCK NUT (PL)	1
7	812626	BOLT CARR 0.313NC X 1.00GR5PL	8
8	81546	5/16" FLAT WASHER (PL)	24
9	81549	5/16" X 3/4" HEX BOLT (PL)	16
10	81568	5/16" HEX NUT (PL)	4
11	81587	3/8" X 4" HEX BOLT (PL)	4
12	81592	3/8" HEX NUT (PL)	2
13	81598	7/16" X 1-1/4" HEX BOLT (PL)	4
14	81600	7/16" X 1-3/4" HEX BOLT GR5 PL	4
15	81627	1/2" X 3" HEX BOLT (PL)	1
16	81636	1/2" HEX NUT (PL)	2
17	84039	3/8" FLAT WASHER (PL)	2
18	84041	7/16" SAE FLAT WASHER (PL)	8
19	86170	3/8" X 1" HEX BOLT GR.5 (PL)	4
20	86171	3/8" X 1-1/4" HEX BOLT (PL)	4
21	86273	7/16" LOCK NUT (PL)	8
22	904445	PTO HOLDER PIN WELDT	1
23	906565	B-230 V-BELT - 1041	3
	961002	B-287 V-BELT - 1051	3
	961002	B-287 V-BELT - 1061	3
24	907349	FRONT PTO GUARD	1
25	907986	1/2" X 2 1/2" HEX BOLT FULL THREAD (PL)	2
26	913608	WELDT-CA MOVER BELT GUARD	1
27	913609	ASSY-BELT GUARD COVER	1
28	913617	WELDT-BELT GUARD COVER	1
29	913621	WELDT-BELT GUARD	1
30	913632	PTO ARBOR SHFT 1.25 CX	1
31	913634	PTO KIT SHIELD	1
32	913763	GUARD-LOWER TRAY - 1041	2
	913359	GUARD-LOWER TRAY - 1051	2
	913359	GUARD-LOWER TRAY - 1061	2
33	913765	GUARD-TRAY COVER - 1041	2
	913366	GUARD-TRAY COVER - 1051	2
	913366	GUARD-TRAY COVER - 1061	2
34	913769	WELDT-CA MOVER BELT GUARD	1

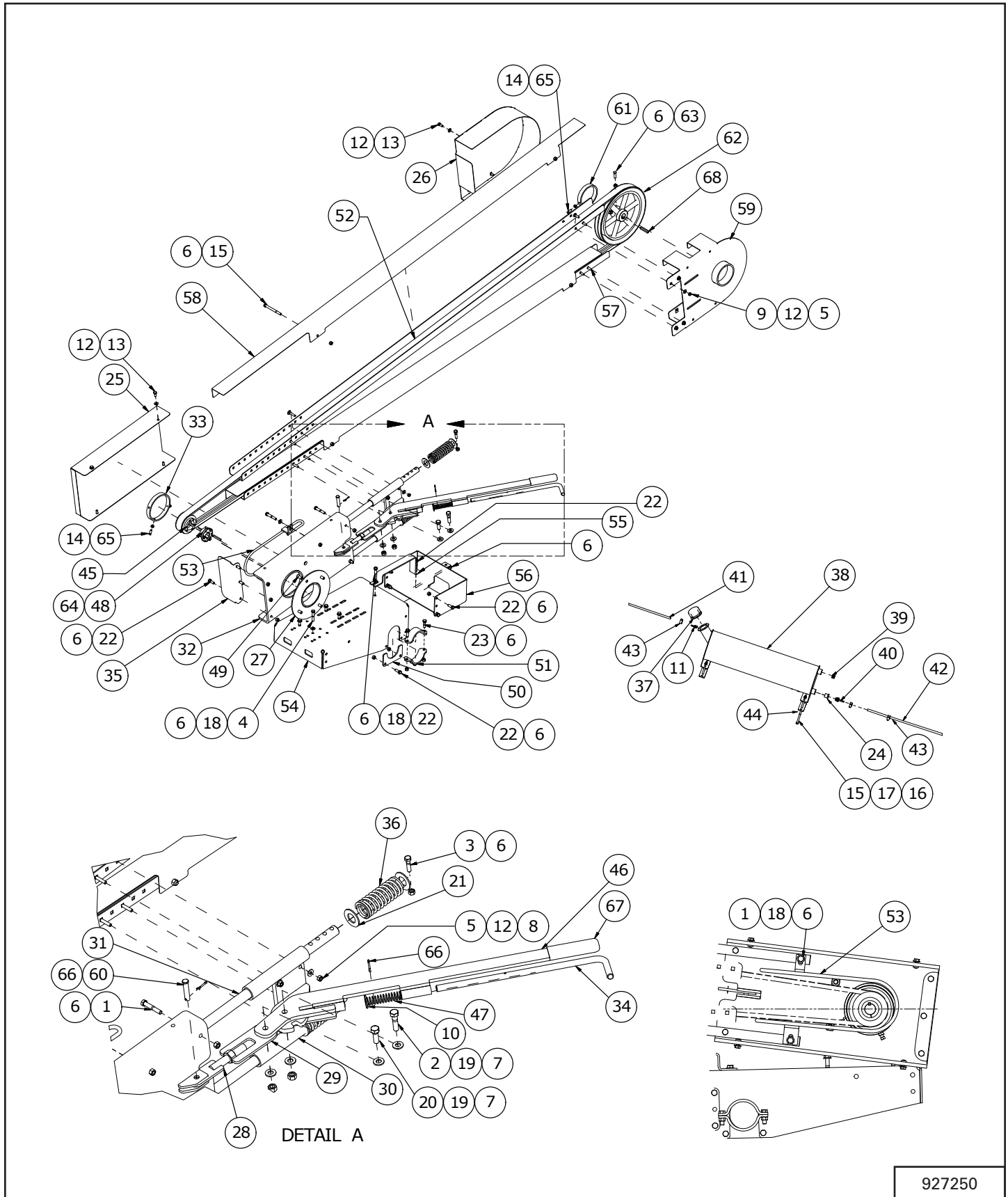
BELT DRIVE - 1041, 1051, 1061 PTO - CONTINUED



927267

ITEM	PART NUMBER	DESCRIPTION	QTY.
35	914664	WELDT-PTO BELT DRIVE MOUNT 10"	1
36	915245L	PLATE-ENGINE MOUNT PIVOT	2
37	915251	BRKT-ENGINE MOUNT STOP	4
38	915736	6" TRIPLE SHEAVE	1
39	916236	WELDT-PTO HOLDER ARM	1
40	916245	WELDT-PTO HOLDER	1
41	927185	BRKT-ENGINE MOUNT CA MOVER	1
42	961004	12" TRIPLE SHEAVE W/ 1-1/4" BORE	1
43	961381	PTO HLDR BRKT 1/4 X 1-1/2 X 7"	1
44	961383	GUARD HOLDER RING 4-1/2"OD	2
45	967044	3/8" X 3/8" X 3-3/8" PULLEY KEY	1
46	967464	3/8" X 1-1/4" SQ HD SET SCREW (BR)	2
47	968811	1/4" SQ X 2" KEY	2
48	973223	1-1/4" PILLOW BRG W/ COLLAR	2
49	9812377	5/16" X 3/4" SQ HEAD SET SCR (PL)	4
50	985639	3/8" X 1/2" SOCKET SET SCREW (BR)	2
51	988999	3/8" X 3/8" SOCKET SET SCREW (BR)	1
52	F0467	PTO SHAFT (1-3/8 - 6 SPLINE) 1 1/4" SHAFT	1

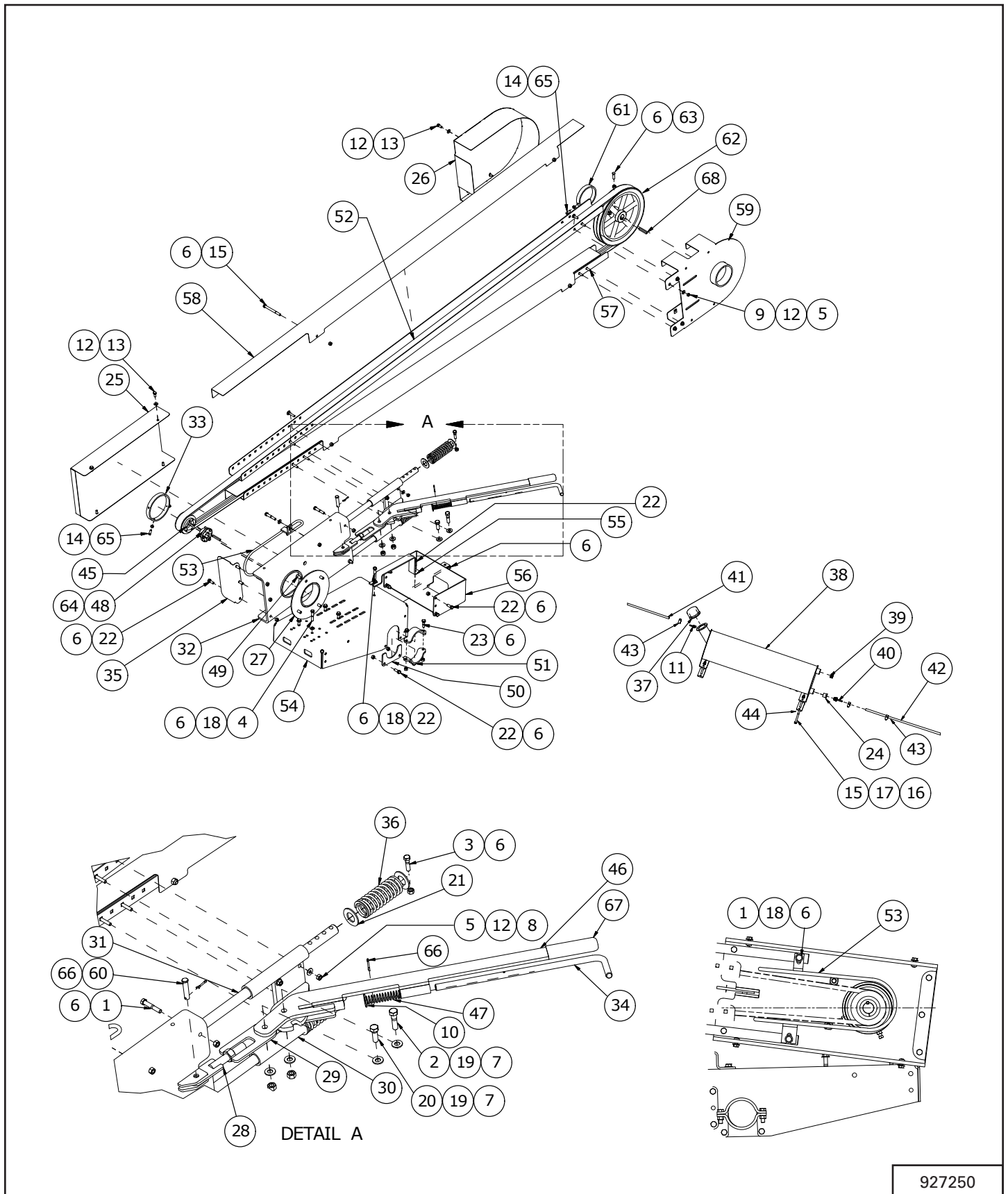
BELT DRIVE - ENGINE MOUNT



927250

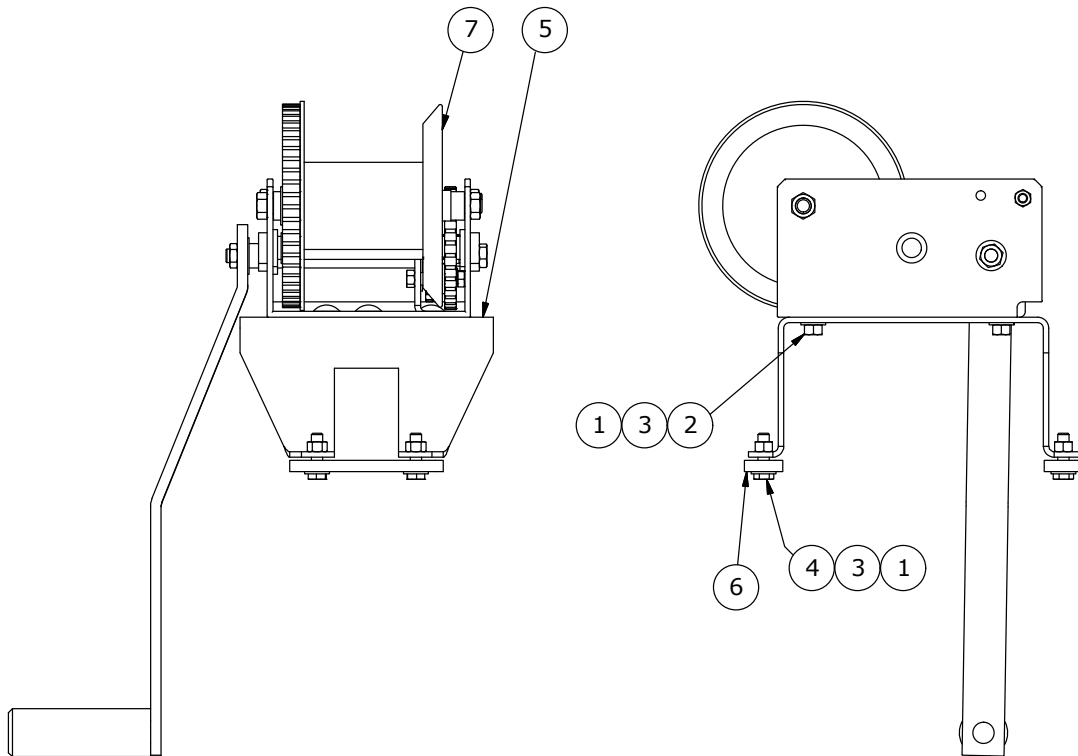
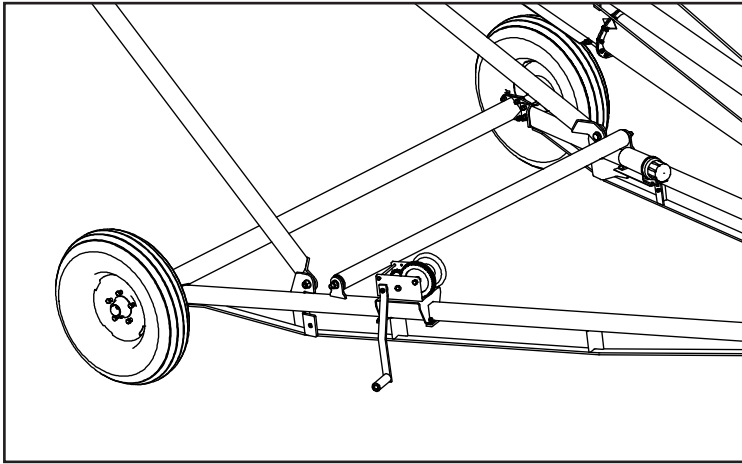
ITEM	PART NUMBER	DESCRIPTION	QTY.
1	810958	3/8" X 2-1/4" HEX BOLT (PL)	4
2	811791	1/2" X 2" HEX BOLT (PL)	1
3	811792	3/8" X 1-1/2" HEX BOLT GR.5 (PL)	2
4	811795	3/8" X 2" HEX BOLT (PL)	4
5	812362	5/16" LOCK NUT (PL)	8
6	812363	3/8" LOCK NUT (PL)	33
7	812364	1/2" LOCK NUT (PL)	2
8	812591	BOLT CARR 0.313 NC X 1.50 GR5PL	4
9	812626	BOLT CARR 0.313NC X 1.00GR5PL	4
10	812639	WASHER 0.625 SAE FLAT BS PL	1
11	813749	ADAPTER-4 MPT X -3 HOSE BARB	1
12	81546	5/16" FLAT WASHER (PL)	16
13	81549	5/16" X 3/4" HEX BOLT (PL)	8
14	81568	5/16" HEX NUT (PL)	4
15	81587	3/8" X 4" HEX BOLT (PL)	8
16	81592	3/8" HEX NUT (PL)	4
17	81593	3/8" LOCK WASHER (PL)	4
18	84039	3/8" FLAT WASHER (PL)	11
19	84048	1/2" SAE FLAT WASHER (PL)	4
20	84277	1/2" X 1-1/2" HEX BOLT (PL)	1
21	84522	1" ID SAE FLAT WASHER (PL)	4
22	86170	3/8" X 1" HEX BOLT GR.5 (PL)	13
23	86171	3/8" X 1-1/4" HEX BOLT (PL)	4
24	910442	REDUCER, 3/4"MNPT X 1/2"FNPT	1
25	913217	BRKT-CA MOVER BELT COVER	1
26	913355	ASSY-BELT GUARD COVER	1
27	913361	WELDT-ENGINE PIVOT	1
28	913362	WELDT-CA MOVER LINK	1
29	913363	WELDT-CA MOVER LINK	1
30	913437	WELDT-CA MOVER SLIDER	1
31	913439	ROD-CA BELT GUARD	2
32	913441	WELDT-CA MOVER GUARD	1
33	913443	HOLDER-CA ENGINE GUARD	1
34	913448	ARM-LATCH GUARD	1
35	913517	GUARD-CA ENGINE	1
36	913559	SPRING-COMPRESSION 5"	2
37	913565	FILL CAP-3.14", TANK	1
38	913568	WELDT-TANK CA	1
39	913569	PLUG-12 MPT	1
40	913584	ADAPTER-8 MPT X -4 HOSE BARB	1

BELT DRIVE - ENGINE MOUNT - CONTINUED



ITEM	PART NUMBER	DESCRIPTION	QTY.
41	913585	HOSE-3 FUEL VENT	1
42	913586	HOSE-4 FUEL, TANK TO ENGINE	1
43	913587	CLAMP HOSE-.38 TO 0.75	3
44	913590L	PLATE-TANK MOUNT	2
45	913591	SHEAVE-2B34 - 8 IN.	1
	913592	SHEAVE-3B34 - 10 IN.	1
46	913684	LEVER-LINKAGE GUARD	1
47	913694	SPRING-COMPRESSION 3.5"	1
48	913703	SHEAVE BUSHING-SHX1-1/8	1
49	913757	SCREW MACH 0.438NC X 1.00 FLHD	4
50	915245L	PLATE-ENGINE MOUNT PIVOT	2
51	915251	BRKT-ENGINE MOUNT STOP	4
52	924063	BELT-2B255 HI-POWER II - 841	1
	924082	BELT-2B300 HI-POWER II - 851	1
	919626	BELT-3B255 HI-POWER II - 1041	1
	919625	BELT-3B300 HI-POWER II - 1051, 1061	1
53	924395	WELDT-ENGINE BELT GUIDE	1
54	927185	BRKT-ENGINE MOUNT CA MOVER	1
55	927208	BATTERY- HOLDER	1
56	927317	HOLDER-BATTERY CA ENGINE	1
57	927357	GUARD-LOWER TRAY - 41 FT.	2
	927361	GUARD-LOWER TRAY - 51, 61 FT.	2
58	927358	GUARD-TRAY COVER - 41 FT.	2
	927360	GUARD-TRAY COVER - 51, 61 FT.	2
59	927359	WELDT-CA MOVER BELT GUARD	1
60	961010	CLEVIS PIN, 1/2" X 2-1/4" (PL)	1
61	961383	GUARD HOLDER RING 4-1/2"OD	1
62	961567	12" DBL SHEAVE - 8 IN.	1
	961187	12" TRIPLE SHEAVE W/ 1-1/2" BORE - 10 IN.	1
63	967464	3/8" X 1-1/4" SQ HD SET SCREW (BR)	2
64	968811	1/4" SQ X 2" KEY	2
65	9812377	5/16" X 3/4" SQ HEAD SET SCR (PL)	4
66	9812430	1/8" X 1" COTTER PIN (PL)	2
67	JDCW25634	RUBBER GRIP	1
68	968811	1/4" SQ X 2" KEY - 8 IN.	1
	967044	3/8" X 3/8" X 3-3/8" PULLEY KEY - 10 IN.	1

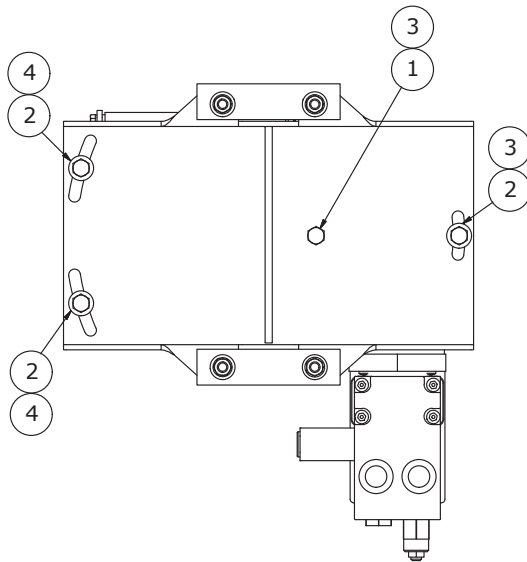
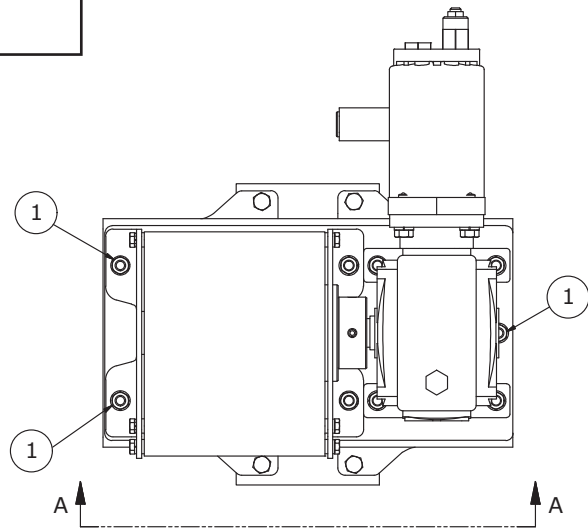
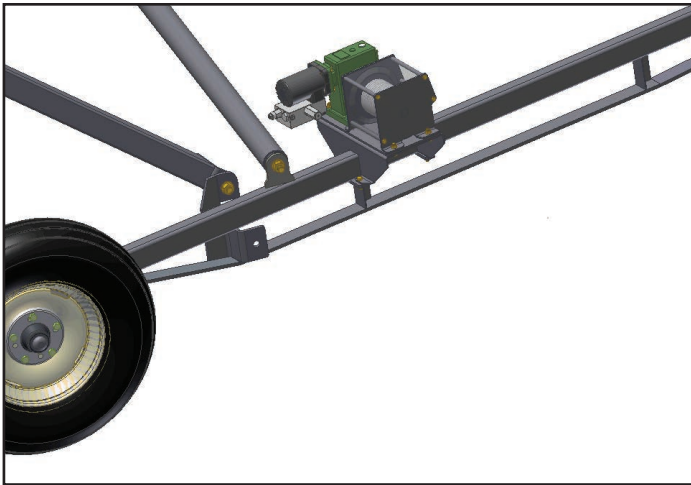
WINCH MECHANICAL



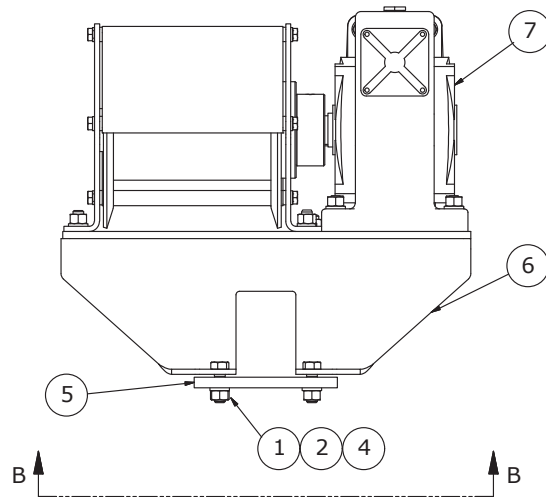
F1593

ITEM	PART NUMBER	DESCRIPTION	QTY.
1	812363	3/8" LOCK NUT (PL)	7
2	81914	3/8" X 1" CARRIAGE BOLT (PL)	3
3	84039	3/8" FLAT WASHER (PL)	7
4	86171	3/8" X 1 1/4" HEX BOLT (PL)	4
5	903401	WINCH BRACKET - 2" TUBE BRKT	1
	903413	WINCH BRACKET - 3" TUBE BRKT	1
6	903402	CONNECTOR PLATE - 2" TUBE BRKT	2
	903414	CONNECTOR PLATE - 3" TUBE BRKT	2
7	961945	K2550 WINCH ASSEMBLY	1

WINCH HYDRAULIC



VIEW B-B

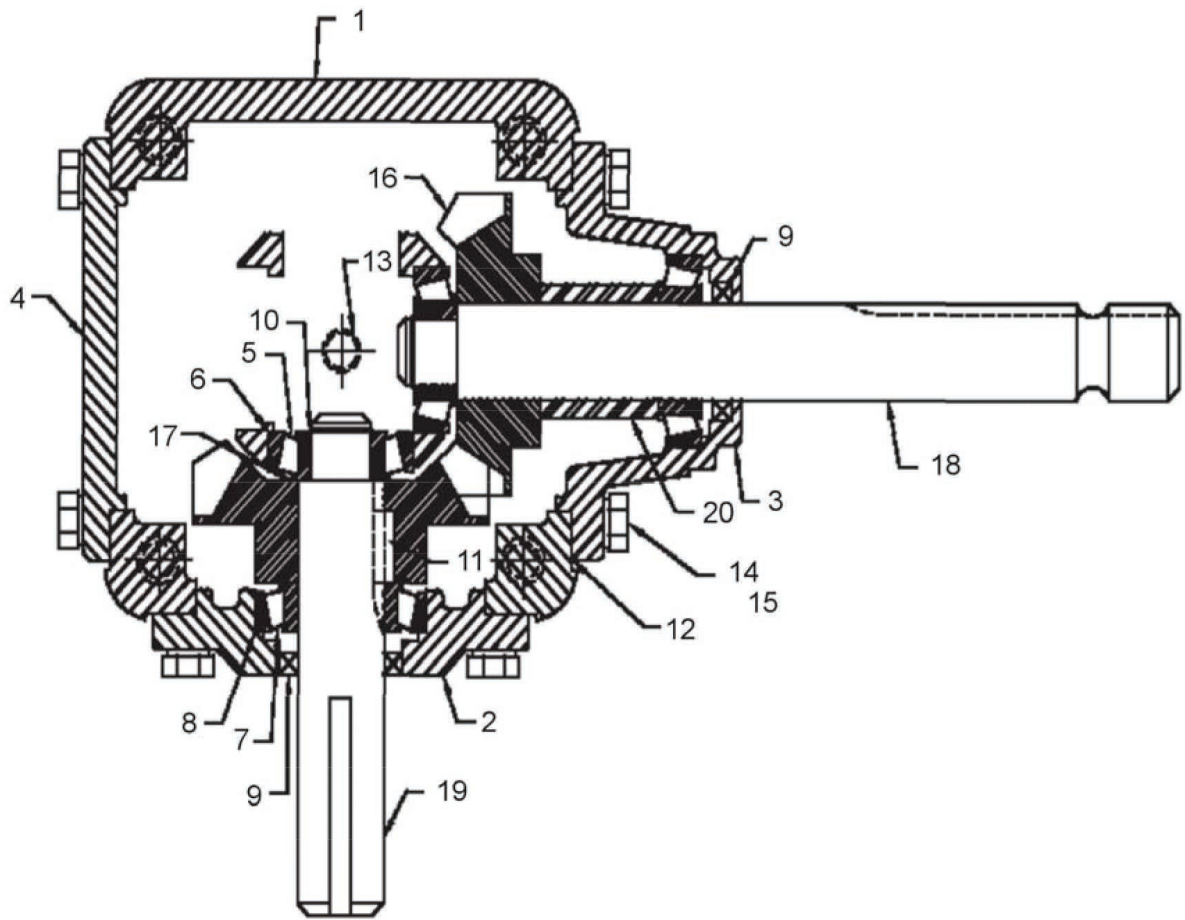


VIEW A-A

F1490

ITEM	PART NUMBER	DESCRIPTION	QTY.
1	812363	3/8" LOCK NUT (PL)	8
2	81570	WASHER - 5/16" STD FLAT (PL)	7
3	86170	3/8" X 1" HEX BOLT GR.5 (PL)	2
4	86171	3/8" X 1 1/4" HEX BOLT (PL)	6
5	903402	CONNECTOR PLATE - 2" TUBE BRKT	2
	903414	CONNECTOR PLATE - 3" TUBE BRKT	2
6	917378	WELDT-HYD WINCH MOUNT - 2" TUBE BRKT	1
	917407	WELDT-HYD WINCH MOUNT - 3" TUBE BRKT	1
7	917687	WINCH-FKW 3000 (STAR)	1

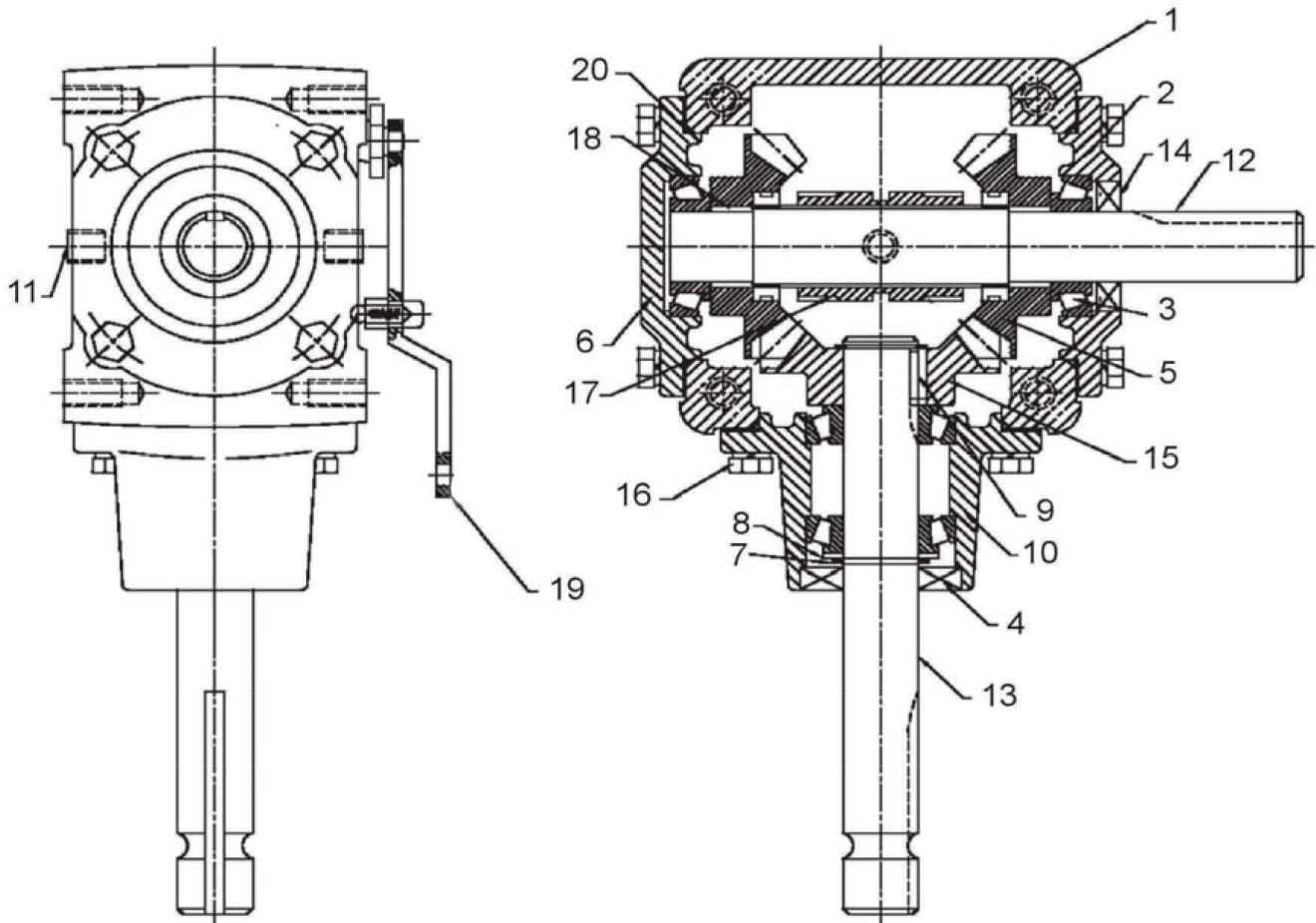
GEARBOX - 841, 851, 861



961092

ITEM	PART NUMBER	DESCRIPTION	QTY.
1	961315	HOUSING 7"&8" CA GB - N/A	1
2	961316	BRG CAP GB7&8CA(985-06)	1
3	961317	BRG CAP 7"&8"CA GB (00&UP)	1
4	961318	COVER CAP 7"&8" CA GB) - N/A	1
5	93020	BRG CONE (LM11749) FM (PG)	1
6	93019	BRG CUP (LM11710) FM (PG)	1
7	SZ244643	BRG CONE - TIMKEN L44643	1
8	SZ244610	BRG CUP - TIMKEN L44610	1
9	961319	SEAL 7&8CA GB (985-14)	2
10	961320	RETAINER 7"&8"CA GB	1
11	961321	KEY 7&8CA GB (985-09)	1
12	961322	SHIM SET 7"&8"CA GB	-
13	960818	PLUG 9/16" GB	1
14	81549	BOLT HEX 0.313NC X 0.75GR5PL	1
15	81569	WASHER 0.313 LOCK PL	1
16	961323	GEAR 7"&8"CA GB	1
17	961324	SHIM 7"&8"CA GB	1
18	961325	SHFT 7"&8"CA GB	1
19	961326	SHFT 7"&8"CA GB	1
20	961327	SPACER 7"&8"CA GB	1
-	961092	GBOX ASSY (S-242510)	1

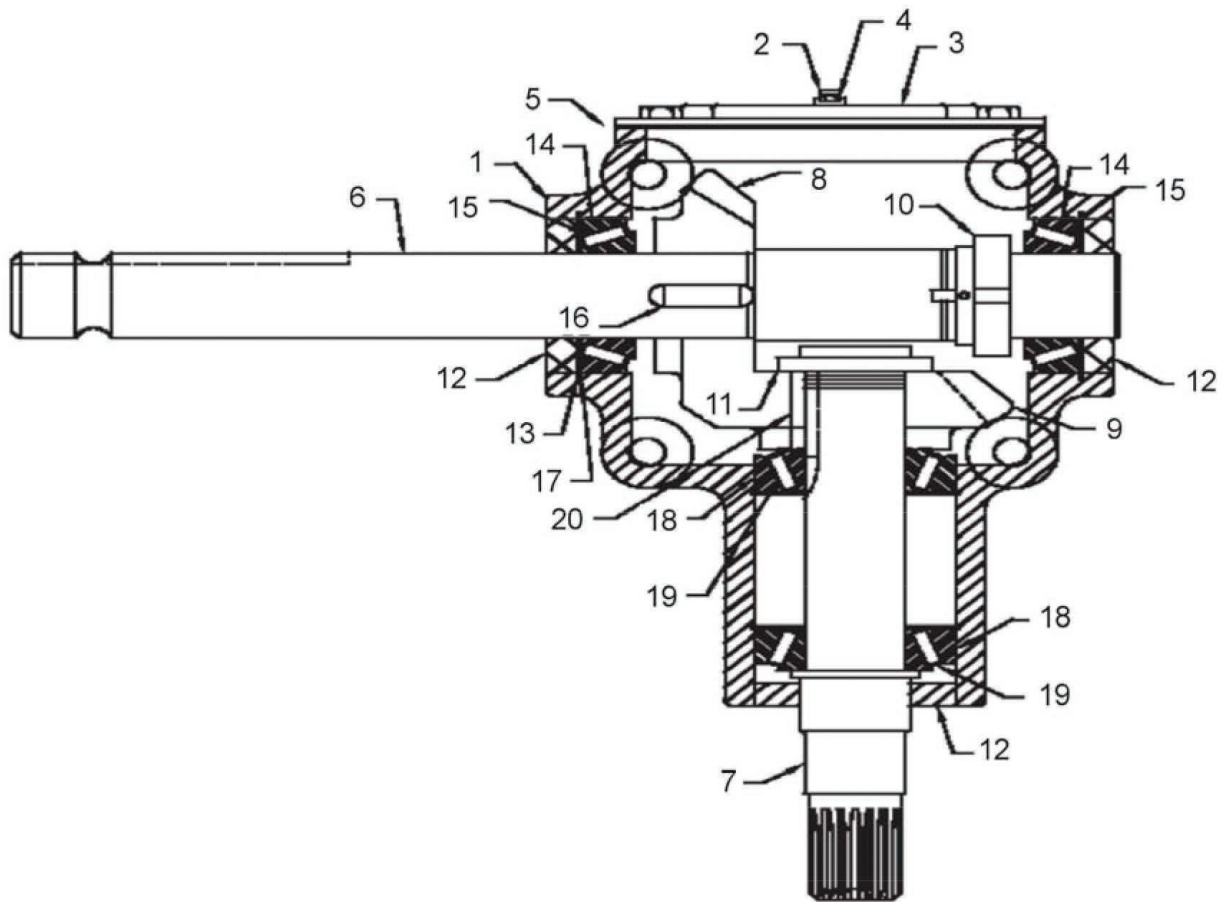
GEARBOX SHIFTABLE - 841, 851, 861



961085

ITEM	PART NUMBER	DESCRIPTION	QTY.
1	906670	CASE (985-01) REV GBOX 7&8 CA	1
2	906671	END CAP (985-02) REV GBOX CA	1
3	SZ244610	BRG CUP - TIMKEN L44610	1
4	906673	SEAL (985-04) REV GBOX 7&8CA	1
5	906672	GEAR (985-05) REV GBOX 7&8 CA	1
6	961316	BRG CAP GB7&8CA(985-06)	1
7	906674	SNAP RING (985-07) REV GBOX CA	1
8	906675	SHIM (985-08) REV GBOX 7&8 CA	1
9	961321	KEY 7&8CA GB (985-09)	1
10	961085	GBOX REV SHIFT 7&8"CA (NOT8X61	1
11	906677	3/8" NPT SOLID PLUG(985-11) CA	1
12	906678	OUTPUT SHFT(985-12)REV GBOX CA	1
13	906679	INPUT SHFT(985-13) REV GBOX CA	1
14	961319	SEAL 7&8CA GB (985-14)	1
15	906680	INPUT GEAR(985-15) REV GBOX CA	1
16	906681	CAPSCREW 3/8" (985-16) REV GB	1
17	906682	GEAR DOG (985-17) REV GBOX 7&8 CA	1
18	906683	BRONZE BUSH (985-18) REV GBOX	1
19	906684	LEVER ASSY (985-19TO25) REV GB	1
20	907450	ORING (985-26) REV GBOX 7&8 CA	1
-	961085	GBOX REV SHIFT 7&8"CA	1

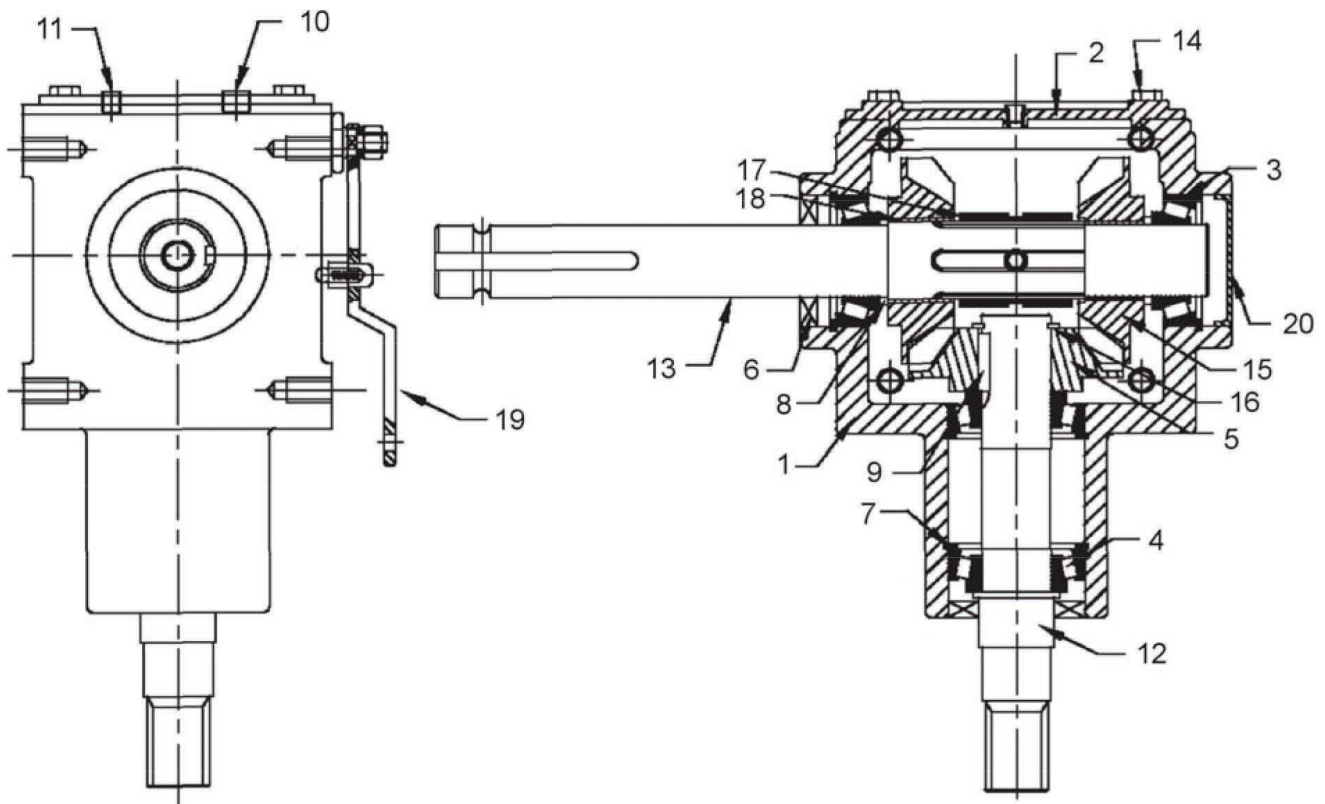
GEARBOX - 1041, 1051, 1061



BU50510

ITEM	PART NUMBER	DESCRIPTION	QTY.
1	BU50310	CASTING GEAR BOX	1
2	BU500089-3	PLUG SQ HD 3/8 NPT STEEL (CUSTOM)	1
3	BU50457	GEAR BOX COVER	1
4	BU500167-1	VALVE RELIEF 1/8 NPTF	1
	926589	9/16 VENT PLUG	1
5	BU50458	GEAR BOX GASKETS	1
6	BU50509	CROSS SHAFT	1
7	BU50502	PINION SHAFT SPLINED-STRAIGHT	1
8	BU50329	GEAR BEVEL 1.5"B 17T C 149	1
9	BU50331	GEAR BEVEL 1.375"B 17T C 149	1
10	BU50428	STAKING LOCKNUT 1-5/8	1
11	BU50444	STAKING LOCKNUT 1-3/8	2
12	BU50422-1	OIL SEAL 2.72X1.50X0.37	3
13	BU50415	RING RETAINER EATON# IN-275	4
14	BU575902	BRG CUP (13620)	2
15	BU575901	BRG CONE (13687)	2
16	BU50429	KEY	1
17	BU50210X	SHIM KIT	1
18	BU575907	BRG CUP (14276)	2
19	BU575906	BRG CONE (14137A)	2
20	BU50417-1	KEY .38"SQX1.38" BA,CW,SB	N/A
-	BU50510	GBOX ASSY 10"CA	1

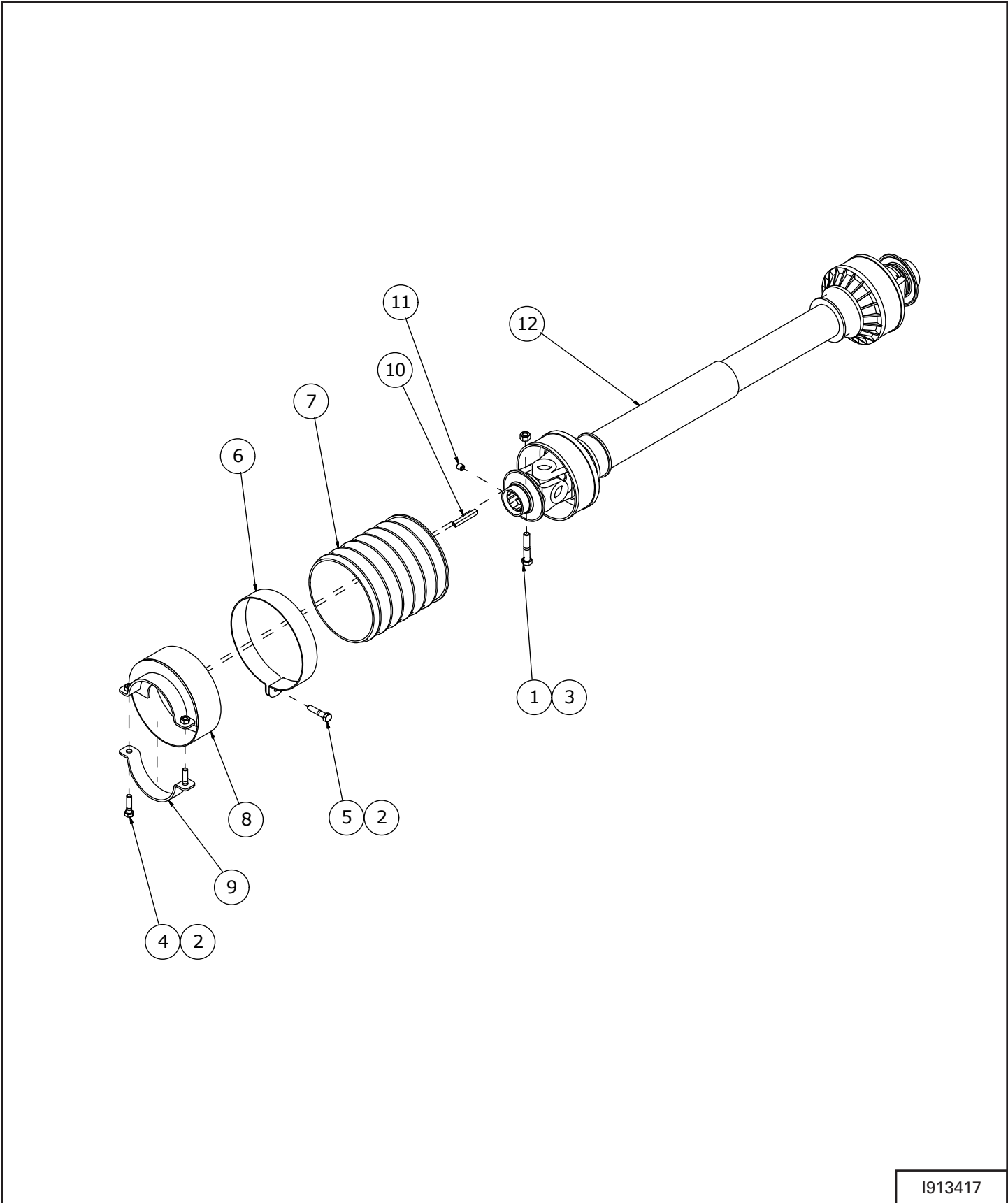
GEARBOX SHIFTABLE - 1041, 1051, 1061



961086

ITEM	PART NUMBER	DESCRIPTION	QTY.
1	906690	CASE (986-01)REV GBOX CA	1
2	906691	END CAP (986-02)REV GBOX CA	1
3	906692	BRG 13620/13687 (986-03) CA	A/R
4	906693	BRG 14276/14137 (986-04) CA	A/R
5	906694	GEAR (986-05)REV GBOX CA	1
6	906695	SEAL (986-06)REV GBOX CA	A/R
7	906696	SNAP RING (986-07)REV GBOX CA	A/R
8	906697	SHIM (986-08)REV GBOX CA	A/R
9	906698	KEY (986-09) REV GBOX CA	1
10	906699	VENT PLUG (986-10) REV GBOX CA	1
11	906700	SOLID PLUG (986-11)REV GBOX CA	1
12	906701	OUTPUT SHFT(986-12)REV GBOX CA	1
13	906702	INPUT SHFT(986-13) REV GBOX CA	1
14	906703	BOLT 5/8" (986-14) REV GBOX CA	A/R
15	906704	GEARS (986-15) REV GBOX CA	A/R
16	906705	SNAP RING (986-16)REV GBOX CA	A/R
17	906706	GEAR DOG (986-17) REV GBOX CA	1
18	906707	BRONZE BUSH (986-18)REV GBOX	1
19	906708	LEVER ASSY (986-19TO26) REV GB	1
20	907453	STAMP CAP (986-27) REV GBOX CA	1
-	961086	GEARBOX REV SHIFT 8X61,10" CA	1

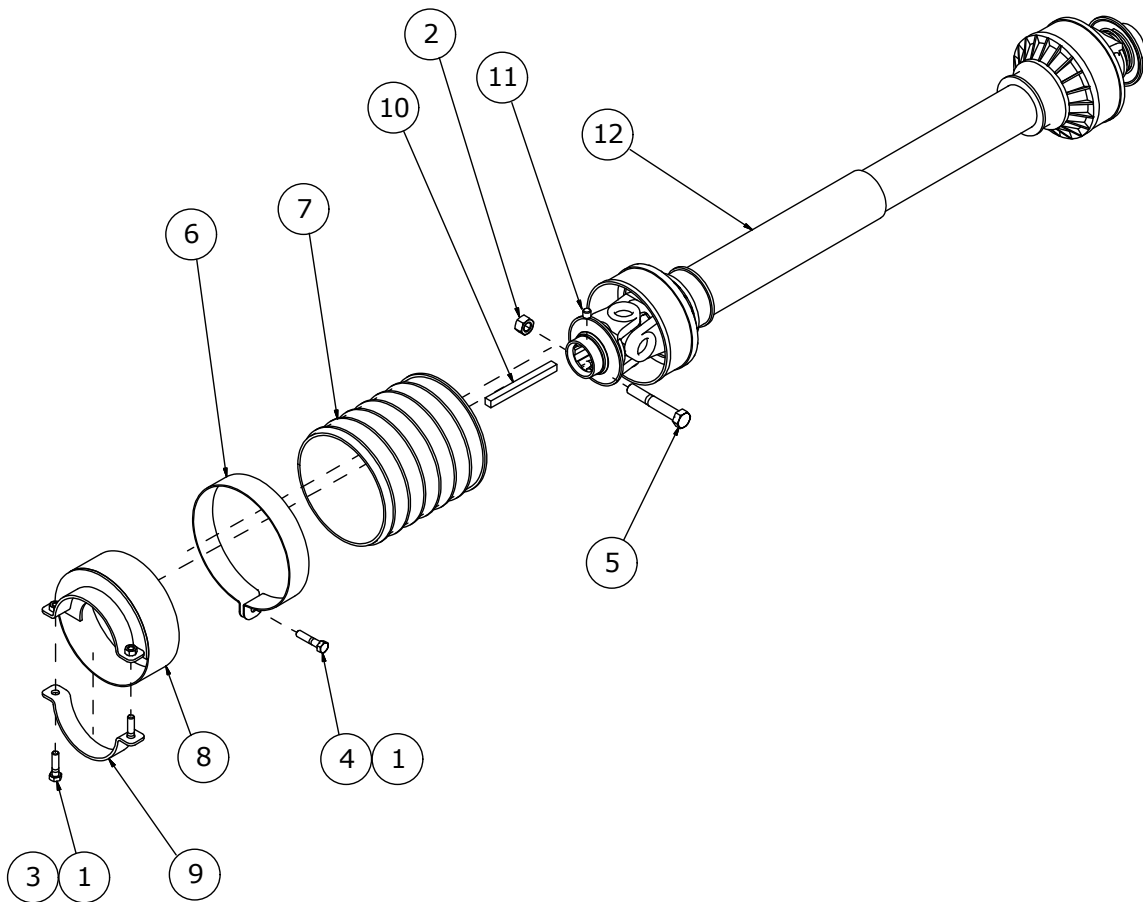
PTO & SHIELD - 8 IN.



I913417

ITEM	PART NUMBER	DESCRIPTION	QTY.
1	811795	3/8" X 2" HEX BOLT (PL)	1
2	812362	5/16" LOCK NUT (PL)	3
3	812363	3/8" LOCK NUT (PL)	1
4	81552	5/16" X 1-1/4" HEX BOLT (PL)	2
5	81553	5/16" X 1-1/2" HEX BOLT (PL)	1
6	961200	GUARD CLAMP	1
7	961201	6"OD X 6-1/2" PTO GUARD	1
8	961202	PTO GUARD WELDT	1
9	961896	BELT GUARD CLAMP	1
10	968811	1/4" SQ X 2" KEY	1
11	988999	3/8" X 3/8" SOCKET SET SCREW (BR)	1
12	F0444	PTO SHAFT (1-3/8 - 6 SPLINE) 1" SHAFT	1

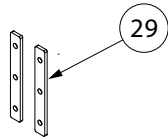
PTO & SHIELD - 10 IN.



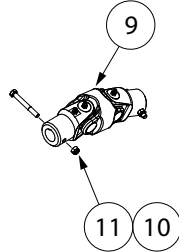
I913536

ITEM	PART NUMBER	DESCRIPTION	QTY.
1	812362	5/16" LOCK NUT (PL)	3
2	812364	1/2" LOCK NUT (PL)	1
3	81552	5/16" X 1-1/4" HEX BOLT (PL)	2
4	81553	5/16" X 1-1/2" HEX BOLT (PL)	1
5	81628	1/2" X 3-1/4" HEX BOLT (PL)	1
6	961200	GUARD CLAMP	1
7	961201	6"OD X 6-1/2" PTO GUARD	1
8	961202	PTO GUARD WELDT	1
9	961896	BELT GUARD CLAMP	1
10	965814	3/8" X 3/8" X 4-1/4" FAN SHFT KEY	1
11	988999	3/8" X 3/8" SOCKET SET SCREW (BR)	1
12	F0466	PTO SHAFT	1

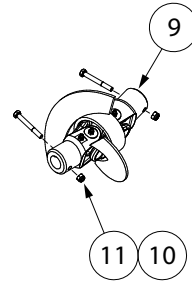
HOPPER (OPTIONAL)



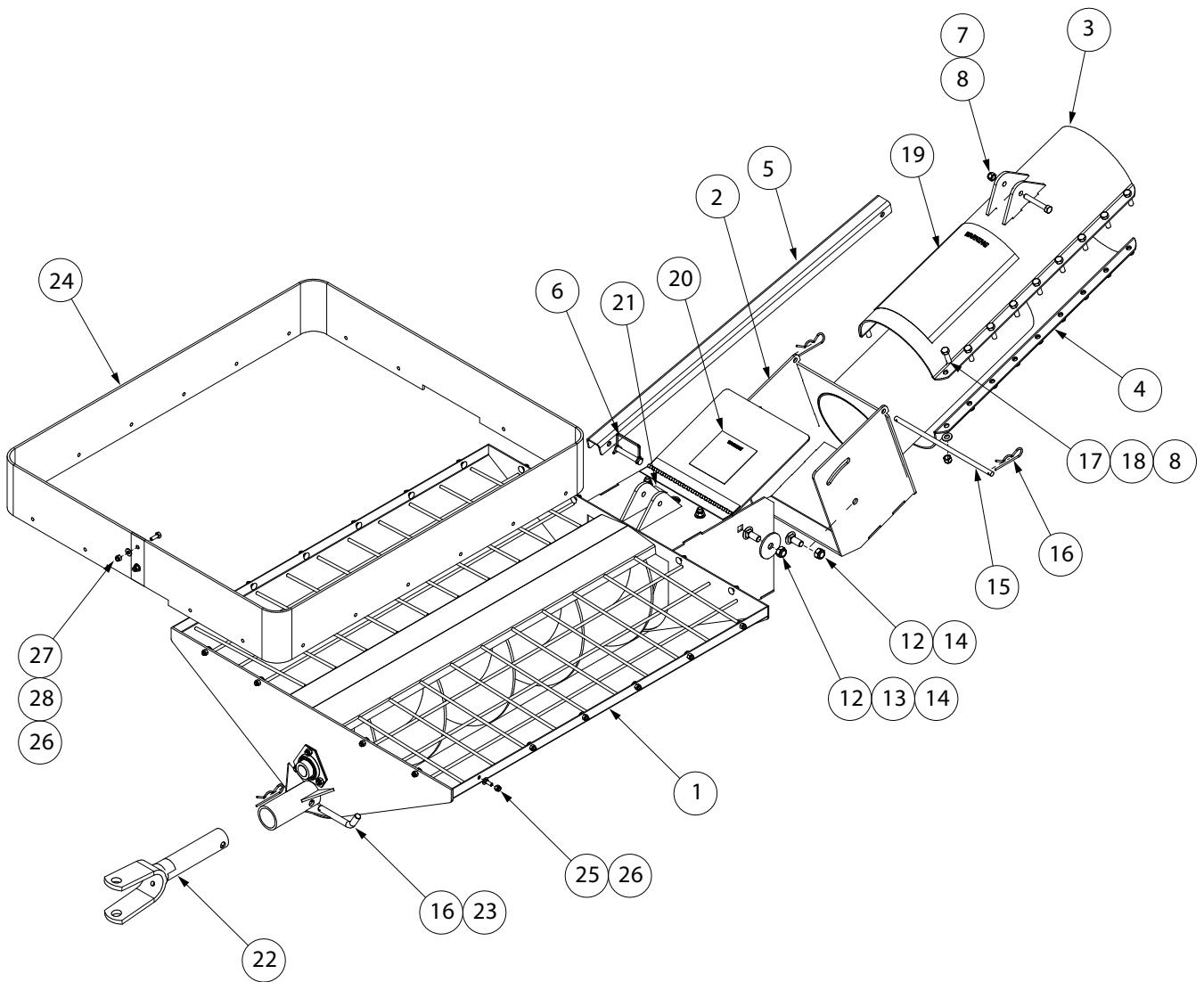
HOPPER GASKET KIT



8" HOPPER JOINT



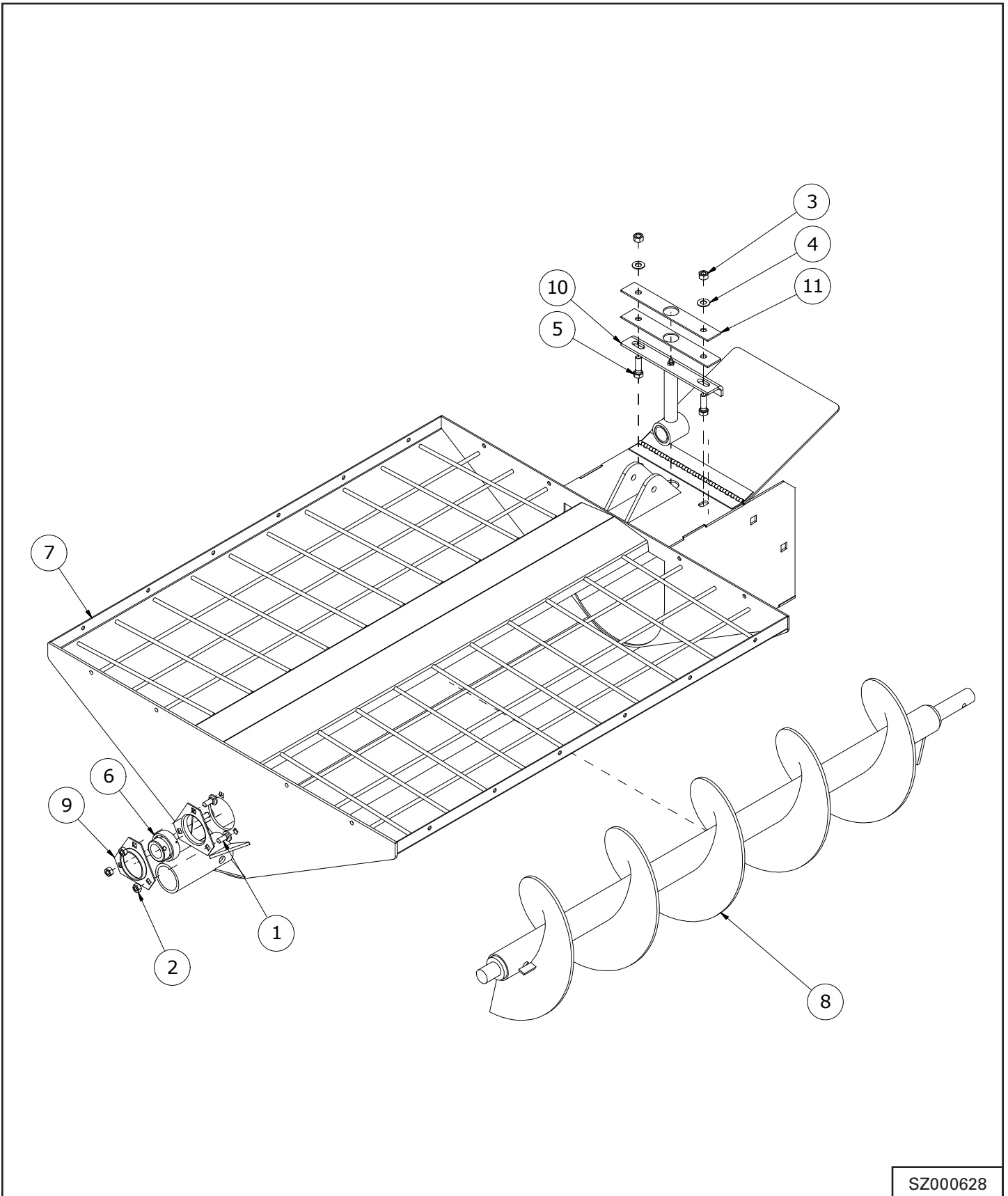
10" HOPPER JOINT



SZ000786, SZ000744

ITEM	PART NUMBER	DESCRIPTION	QTY.
1	SZ000628	HOPPER ASSEMBLY	1
2	SZ000785	8" CXTRANSITION BODY WLDMT	1
	SZ000745	10" CXTRANSITION BODY WLDMT	1
3	SZ000672	8" TRANSPORT LOCK WELDMENT	1
	SZ000634	10" TRANSPORT LOCK WELDMENT	1
4	SZ000673	8" TUBE SPLICE	1
	SZ992031024000	10" TUBE SPLICE	1
5	SZ000754	TRANSPORT LOCK-CHANNEL	1
6	SZ000647	3/8" SNAP PIN, 2-3/4"	1
7	SZ126072	BLT HHCS, 3/8-16UNC, 2-1/2 G5	1
8	SZ125030	NUT LCK 3/8-16UNC NYLOCK	19
9	SZ0165533A	8" HOPPER JOINT	1
	SZ9699415	10" HOPPER JOINT W/ FLIGHTING	1
10	SZ126055	BLT HHCS 5/16-18 UNC 2-1/2 G5	2
11	SZ125035	NUT LCK, 5/16" -18UNC, NYLOCK G5	2
12	SZ126012	BLT CRG 1/2-13 UNC 1-1/4 SHRT NECK	4
13	SZ9941718	WSHR, FLT, .53, 2.25, 10GA GALV	2
14	SZ125032	NUT LCK, 1/2" -13UNC NYLOCK	4
15	SZ9901708	HOPPER ACCESS DOOR PIN	1
16	SZ128018	PIN HAIR, 1/8"	3
17	SZ126158	BLT HHCS 3/8-16UNC 1-1/4" G5	18
18	SZ127002	WASHER FLAT 3/8	18
19	SZ06010	DECAL, WARNING	1
20	SZ06023	DECAL, WARNING, KEEP SHIELD	1
21	SZ06057	DECAL GREASE GUN SIHOUETTE	1
22	SZ000639	CONVENTIONAL HOPPER HITCH	1
23	SZ000705	PIN- HITCH 1/2" X 3.2"	1
24	SZ000638	CONV. HOPPER RUBBER BELTING	1
25	SZ000882	BLT CRG 1/4-20UNC 3/4	20
26	SZ125028	NUT LCK 1/4" - 20UNC NYLOCK	22
27	SZ126029	BLT HHCS 1/4" - 20UNC 3/4" G5	2
28	SZ127000	1/4 FLAT WASHER	4
29	SZ000852	CONV. HPPR GASKET KIT	1

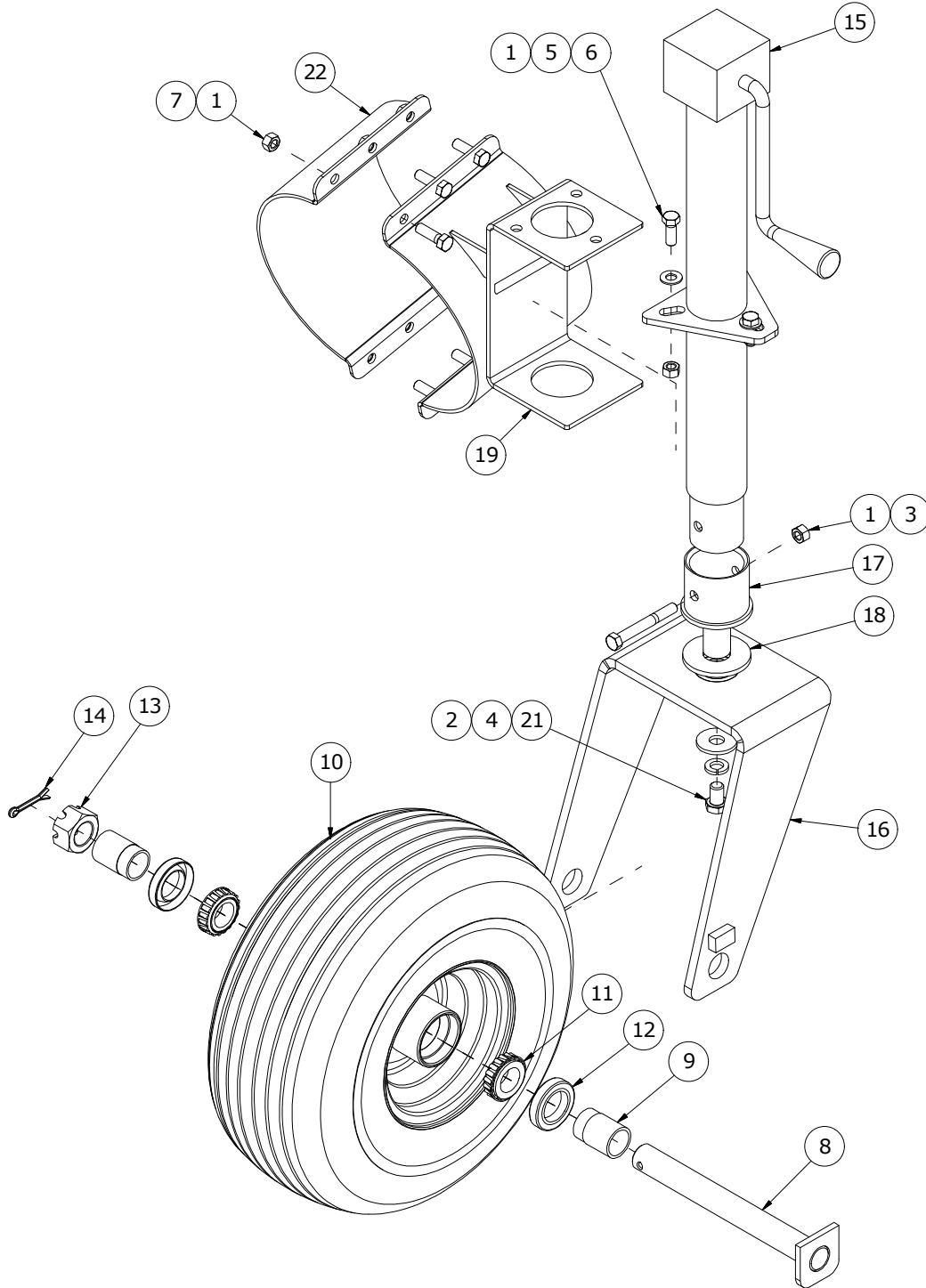
HOPPER (OPTIONAL)



SZ000628

ITEM	PART NUMBER	DESCRIPTION	QTY.
1	81185	5/16" X 3/4" CARRIAGE BOLT (PL)	3
2	812362	5/16" LOCK NUT (PL)	3
3	812363	3/8" LOCK NUT (PL)	2
4	84039	WASHER - 3/8" SAE FLAT (PL)	2
5	86171	3/8" X 1 1/4" HEX BOLT (PL)	2
6	961627	1" BEARING W/COLLAR	1
7	SZ000618	HOPPER WELDMENT	1
8	SZ000629	CONV. HOPPER FLIGHTING	1
9	SZ65052MSCI000	FLG BRG 52MM 3 BLT	2
10	SZ9901750	WELDT-10" BEARING HANGER HOPPER	1
11	SZ9901752L	HOPPER HANGER BEARING SHIM	2

JACK



SZ000737

ITEM	PART NUMBER	DESCRIPTION	QTY.
1	812363	3/8" LOCK NUT (PL)	10
2	812769	1 1/2"OD X 9/16"ID X 10GA WASHER (PL)	1
3	81583	3/8" X 3" HEX BOLT (PL)	1
4	81637	1/2" LOCK WASHER (PL)	1
5	84039	WASHER - 3/8" SAE FLAT (PL)	3
6	86170	3/8" X 1" HEX BOLT GR.5 (PL)	3
7	86171	3/8" X 1 1/4" HEX BOLT (PL)	6
8	902489	WHEELYOKE PIN WELDT 1.000" DIA	1
9	902505	WHEEL HEIGHT SPACER 1.250" DIA	2
10	966195	TIRE WITH WHEEL 15/600 X 6 X 4.4 WHL	1
11	966776	BEARING CONE (L44643)	2
12	967497	OIL SEAL - SE10	2
13	967498	SLOTTED HEX NUT 1-14 GRADE 5 ZP	1
14	9812433	3/16" X 1 1/2" COTTER PIN	1
15	SZ000642	2000 LB SIDEWIND ROUND JACK	1
16	SZ000645	WHEELYOKE WELDMENT	1
17	SZ000730	CASTER PIVOT WELDMENT	1
18	SZ000736	PIVOT UHMW BEARING	1
19	SZ000738	WELDT - 8" JACK HALF-CLAMP MOUNT	1
	SZ000640	WELDT - 10" JACK HALF-CLAMP MOUNT	1
20	SZ000761	40 X 17-7/8 X 9-1/4 ID BOX	1
21	SZ126088	BLT HHCS, 1/2" -13UNC 3/4" G5	1
22	SZ2038210	HALF CLAMP 8", 3-BOLT	1
	SZ992031210000	HALF CLAMP 10", 3-BOLT	1

Farm King



SPECIFICATIONS

PERFORMANCE.....	173
DIMENSIONS.....	173
HARDWARE TORQUE VALUES.....	174
Metric Chart.....	174
Imperial Chart.....	175
HYDRAULIC CONNECTION SPECIFICATIONS.....	176
O-Ring Fitting (Straight Thread).....	176
O-Ring Face Seal Connection.....	176
Flare Fitting.....	176
Port Seal (O-Ring Boss) Fitting.....	176
Tubelines And Hoses.....	176

Farm King



PERFORMANCE

Model	CX841	CX851	CX861	CX1041	CX1051	CX1061
Recommended HP	16	20	24	28	32	38
Capacity (bu/hr)	-	-	-	4400	4400	4400
Rim Size	15"	15"	15"	15"	15"	15"
Hub Type	5 bolt	5 bolt	5 bolt	5 bolt	5 bolt	5 bolt
Fuel Tank Capacity	6.5 US gal	6.5 US gal	6.5 US gal	6.5 US gal	6.5 US gal	6.5 US gal

Capacity will vary with field conditions. Tested on wheat, - 12.5% moisture using CX1041 model.

Fuel/Oil tanks are supplied with gas engine configuration only.

DIMENSIONS

Model	CX841	CX851	CX861	CX1041	CX1051	CX1061
Max Field Height	27.7'	31.7'	39.5'	27.2'	31.2'	39'
Field Width	8.8'	10.1'	10.1'	8.8'	10.1'	10.1'
Transport Width	8.8'	10.1'	10.1'	8.8'	10.1'	10.1'
Transport Height	12.8'	14.6'	14.3'	13'	14.8'	14.4'
Transport Length	40.2'	50.1'	60.4'	40.1'	50'	60.3'

Note: Dimensions are approximate measurements.

HARDWARE TORQUE VALUES

Metric Chart

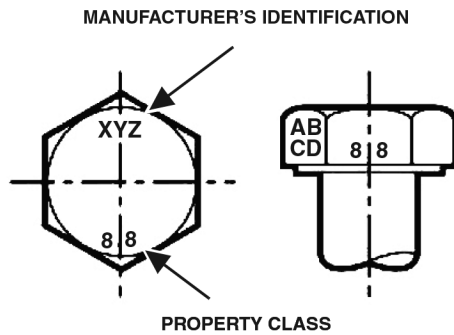
NOTE: Do not use the values listed in the charts if a different torque value or tightening procedure is specified in this manual for a specific application. Torque values listed are for general use only.

Use the following charts to determine the correct torque when checking, adjusting or replacing hardware. **Torque values are listed in newton-meters (inch* or foot pounds) for normal assembly applications.**

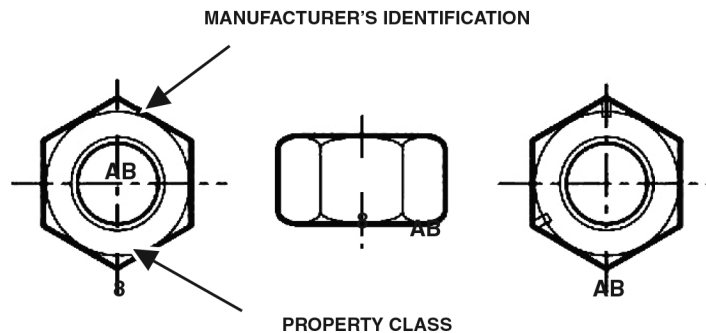
Nominal Size	Class 5.8		Class 8.8		Class 10.9		Lock nuts
	Unplated	Plated W / ZnCr	Unplated	Plated W / ZnCr	Unplated	Plated W / ZnCr	CL.8 w/ CL. 8.8 Bolt
M4	1.7 (15*)	2.2 (19*)	2.6 (23*)	3.4 (30*)	3.7 (33*)	4.8 (42*)	1.8 (16*)
M6	5.8 (51*)	7.6 (67*)	8.9 (79*)	12 (102*)	13 (115*)	17 (150*)	6.3 (56*)
M8	14 (124*)	18 (159*)	22 (195*)	28 (248*)	31 (274*)	40 (354*)	15 (133*)
M10	28 (21)	36 (27)	43 (32)	56 (41)	61 (45)	79 (58)	30 (22)
M12	49 (36)	63 (46)	75 (55)	97 (72)	107 (79)	138 (102)	53 (39)
M16	121 (89)	158 (117)	186 (137)	240 (177)	266 (196)	344 (254)	131 (97)
M20	237 (175)	307 (226)	375 (277)	485 (358)	519 (383)	671 (495)	265 (195)
M24	411 (303)	531 (392)	648 (478)	839 (619)	897 (662)	1160 (855)	458 (338)

NOTE: Torque values shown with * are inch pounds.

Identification of Hex Cap Screws and Carriage Bolts - Classes 5 and up



Identification of Hex Nuts and Lock Nuts - Classes 5 and up



Imperial Chart

NOTE: Do not use the values listed in the charts if a different torque value or tightening procedure is specified in this manual for a specific application. Torque values listed are for general use only.

Use the following charts to determine the correct torque when checking, adjusting or replacing hardware. **Torque values are listed in newton-meters (inch* or foot pounds) for normal assembly applications.**

Nominal Size	SAE Grade 5		SAE Grade 8		LOCK NUTS			
	Unplated or Plated Silver	Plated W / ZnCr Gold	Unplated or Plated Silver	Plated W / ZnCr Gold	Unplated or Plated Silver	Plated W / ZnCr Gold	Grade W / Gr. 5 Bolt	Grade W / Gr. 8 Bolt
1/4	6.2 (55*)	8.1 (72*)	9.7 (86*)	12.6 (112*)	13.6 (121*)	17.7 (157*)	6.9 (61*)	9.8 (86*)
5/16	13 (115*)	17 (149*)	20 (178*)	26 (229*)	28 (250*)	37 (324*)	14 (125*)	20 (176*)
3/8	23 (17)	30 (22)	35 (26)	46 (34)	50 (37)	65 (48)	26 (19)	35 (26)
7/16	37 (27)	47 (35)	57 (42)	73 (54)	80 (59)	104 (77)	41 (30)	57 (42)
1/2	57 (42)	73 (54)	87 (64)	113 (83)	123 (91)	159 (117)	61 (45)	88 (64)
9/16	81 (60)	104 (77)	125 (92)	163 (120)	176 (130)	229 (169)	88 (65)	125 (92)
5/8	112 (83)	145 (107)	174 (128)	224 (165)	244 (180)	316 (233)	122 (90)	172 (127)
3/4	198 (146)	256 (189)	306 (226)	397 (293)	432 (319)	560 (413)	217 (160)	306 (226)
7/8	193 (142)	248 (183)	495 (365)	641 (473)	698 (515)	904 (667)	350 (258)	494 (364)
1	289 (213)	373 (275)	742 (547)	960 (708)	1048 (773)	1356 (1000)	523 (386)	739 (545)

NOTE: Torque values shown with * are inch pounds.

Identification of Hex Cap Screws and Carriage Bolts



SAE GRADE 2 BOLTS



SAE GRADE 5 BOLTS



SAE GRADE 8 BOLTS



SAE GRADE 2 NUTS

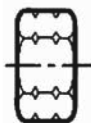


SAE GRADE 2 NUTS



SAE GRADE 2 NUTS

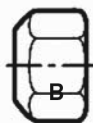
Identification of Hex Nuts and Lock Nuts



Grade A - No Notches

Grade B - One Circumferential Notch

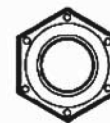
Grade C - One Circumferential Notches



Grade A - No Mark

Grade B - Letter B

Grade C - Letter C



Grade A - No Marks

Grade B - Three Marks

Grade C - Six Marks

(Marks not always located at corners)

HYDRAULIC CONNECTION SPECIFICATIONS

O-Ring Fitting (Straight Thread)

Lubricate the O-ring before installing the fitting. Loosen the jam nut and install the fitting. Tighten the jam nut until the washer is tight against the surface.

O-Ring Face Seal Connection

O-ring Face Seal Tightening Torque		
Tubeline O.D.	Thread Size	N•m (ft-lb)
1/4"	9/16" - 18	13 (18)
3/8"	11/16" - 16	22 (30)
1/2"	13/16" - 16	40 (54)
5/8"	1" - 14	60 (81)
3/4"	1-3/16" - 12	84 (114)
7/8"	1-3/16" - 12	98 (133)
1"	1-7/16" - 12	118 (160)
1-1/4"	1-11/16" - 12	154 (209)
1-1/2"	2" - 12	163 (221)

When the fitting is tightened, you can feel when the fitting is tight to eliminate leakage caused by under or over torqued fittings. Use petroleum jelly to hold the O-ring in position until the fittings are assembled.

Flare Fitting

Flare Fitting Tightening Torque		
Tubeline O.D.	Thread Size	N • m (ft-lb)
1/4"	7/16" - 20	13 (18)
5/16"	1/2" - 20	17 (23)
3/8"	9/16" - 18	22 (30)
1/2"	3/4" - 16	40 (54)
5/8"	7/8" - 14	60 (81)
3/4"	1-1/16" - 12	84 (114)
7/8"	1-3/16" - 12	98 (133)
1"	1-5/16" - 12	118 (160)
1-1/4"	1-5/8" - 12	154 (209)
1-1/2"	1-7/8" - 12	163 (221)
2"	2-1/2" - 12	252 (342)

Tighten until the nut makes contact with the seat. Use the chart [Figure 57] to find the correct tightness needed.

Port Seal (O-Ring Boss) Fitting

Port Seal And O-ring Boss Tightening Torque		
Tubeline O.D.	Thread Size	N•m (ft-lb)
1/4"	7/16" - 20	13 (18)
3/8"	9/16" - 18	22 (30)
1/2"	3/4" - 16	40 (54)
5/8"	7/8" - 14	60 (81)
3/4"	1-1/16" - 12	84 (114)
7/8"	1-3/16" - 12	98 (133)
1"	1-5/16" - 12	118 (160)
1-1/8"	1-7/16" - 12	154 (209)
1-1/4"	1-5/8" - 12	163 (221)

Note: Port seal and nut, washer and O-ring (O-ring Boss) fittings use the same tightening torque valve chart [Figure 58].

If a torque wrench cannot be used, use the following method.

Tighten the nut until it just makes metal to metal contact, you can feel the resistance.

Tighten the nut with a wrench no more than one hex flat maximum.

Do not over tighten the port seal fitting.

Note: If a torque wrench cannot be used, use the hex flat tightening method as an approximate guideline.

Note: Port seal fittings are not recommended in all applications. Use O-ring boss fittings in these applications.

Tubelines And Hoses

Replace any tubelines that are bent or flattened. They will restrict flow, which will slow hydraulic action and cause heat.

Replace hoses which show signs of wear, damage or weather cracked rubber.

Always use two wrenches when loosening and tightening hose or tubeline fittings.

WARRANTY

FARM KING BASE LIMITED WARRANTY.....	179
Repair Parts Limited Warranty.....	179
What Is Not Covered.....	179
Authorized Dealer And Labor Costs.....	179
Warranty Requirements.....	180

Farm King



FARM KING BASE LIMITED WARRANTY

Farm King provides this warranty only to original retail purchasers of its products. Farm King warrants to such purchasers that all Farm King manufactured parts and components used and serviced as provided for in the Operator's Manual shall be free from defects in materials and workmanship for a period following delivery to the original retail purchaser of two (2) years. This limited warranty applies only to those parts and components manufactured by Farm King. Parts and components manufactured by others are subject to their manufacturer's warranties, if any.

Farm King will fulfill this limited warranty by, at its option, repairing or replacing any covered part that is defective or is the result of improper workmanship, provided that the part is returned to Farm King within thirty (30) days of the date that such defect or improper workmanship is, or should have been, discovered. Parts must be returned through the selling representative and the buyer must prepay transportation charges.

Farm King will not be responsible for repairs or replacements that are necessitated, in whole or part, by the use of parts not manufactured by or obtained from Farm King. Under no circumstances are component parts warranted against normal wear and tear. There is no warranty on product pump seals, product pump bearings, rubber product hoses, pressure gauges, or other components that require replacement as part of normal maintenance.

Repair Parts Limited Warranty

Farm King warrants genuine Farm King replacement parts purchased after the expiration of the Farm King Limited Warranty, and used and serviced as provided for in the Operator's Manual, to be free from defects in materials or workmanship for a period of thirty (30) days from the invoice date for the parts. Farm King will fulfill this limited warranty by, at its option, repairing or replacing any covered part that is defective or is the result of improper workmanship, provided that the part is returned to Farm King within thirty (30) days of the date that such defect or improper workmanship is, or should have been, discovered. Such parts must be shipped to the Farm King factory at the purchaser's expense.

What Is Not Covered

Under no circumstances does this limited warranty cover any components or parts that have been subject to the following: negligence; alteration or modification not approved by Farm King; misuse; improper storage; lack of reasonable and proper maintenance, service, or repair; normal wear; damage from failure to follow operating instructions; accident; and/or repairs that have been made with parts other than those manufactured, supplied, and or authorized by Farm King.

Authorized Dealer And Labor Costs

Repairs eligible for labor under this limited warranty must be made by Farm King or an authorized Farm King dealer. Farm King retains the exclusive discretion to determine whether it will pay labor costs for warranty repairs or replacements, and the amount of such costs that it will pay and the time in which the repairs will be made. If Farm King determines that it will pay labor costs for warranty work, it will do so by issuing a credit to the dealer's or distributor's account. Farm King will not approve or pay invoices sent for repairs that Farm King has not previously approved. Warranty service does not extend the original term of this limited warranty. Payment of labor costs will only be considered on repairs made to manufactured parts and components that have been found defective during a period of one (1) year following delivery to the original retail purchaser.

Warranty Requirements

To be covered by warranty, each new product must be registered with Farm King within thirty (30) days of delivery to original retail purchaser. If the customer decides to purchase replacement components before the warranty disposition of such components is determined, Farm King will bill the customer for such components and then credit the replacement invoice for those components later determined to be covered by this limited warranty. Any such replacement components that are determined not to be covered by this limited warranty will be subject to the terms of the invoice and shall be paid for by the purchaser.

EXCLUSIVE EFFECT OF WARRANTY AND LIMITATION OF LIABILITY

TO THE EXTENT PERMITTED BY LAW, FARM KING DISCLAIMS ANY WARRANTIES, REPRESENTATIONS, OR PROMISES, EXPRESS OR IMPLIED, AS TO THE QUALITY, PERFORMANCE, OR FREEDOM FROM DEFECT OF THE COMPONENTS AND PARTS COVERED BY THIS WARRANTY AND NOT SPECIFICALLY PROVIDED FOR HEREIN.

TO THE EXTENT PERMITTED BY LAW, FARM KING DISCLAIMS ANY IMPLIED WARRANTIES OF MERCHANTABILITY AND FITNESS FOR A PARTICULAR PURPOSE ON ITS PRODUCTS COVERED HEREIN, AND DISCLAIMS ANY RELIANCE BY THE PURCHASER ON FARM KING'S SKILL OR JUDGMENT TO SELECT OR FURNISH GOODS FOR ANY PARTICULAR PURPOSE. THE PURCHASER'S ONLY AND EXCLUSIVE REMEDIES IN CONNECTION WITH THE BREACH OR PERFORMANCE OF ANY WARRANTY ON FARM KING'S PRODUCTS ARE THOSE SET FORTH HEREIN. IN NO EVENT SHALL FARM KING BE LIABLE FOR INCIDENTAL OR CONSEQUENTIAL DAMAGES (INCLUDING, BY WAY OF EXAMPLE ONLY AND NOT LIMITATION, LOSS OF CROPS, LOSS OF PROFITS OR REVENUE, OTHER COMMERCIAL LOSSES, INCONVENIENCE, OR COST OF REPLACEMENT OF RENTAL EQUIPMENT). IN NO EVENT SHALL FARM KING'S CONTRACT OR WARRANTY LIABILITY EXCEED THE PURCHASE PRICE OF THE PRODUCT. (Note that some states do not allow limitations on how long an implied warranty lasts or the exclusion or limitation of incidental or consequential damages, so the above limitations and exclusion may not apply to you.) This warranty gives you specific legal rights and you may also have other rights, which vary from state to state.

Farm King neither assumes nor authorizes any person or entity, including its selling representatives, to assume any other obligations or liability in connections with the sale of covered equipment, or to make any other warranties, representations, or promises, express or implied, as to the quality, performance, or freedom from defect of the components and parts covered herein. No one is authorized to alter, modify, or enlarge this limited warranty, or its exclusions, limitations and reservations.

Corrections of defects and improper workmanship in the manner, and for the applicable time periods, provided for herein shall constitute fulfillment of all responsibilities of Farm King to the purchaser, and Farm King shall not be liable in negligence, contract, or on any other basis with respect to the subject equipment.

This limited warranty is subject to any existing conditions of supply which may directly affect Farm King's ability to obtain materials or manufacturer replacement parts.

Buhler Industries Inc. reserves the right to make improvements in design or changes in specifications to its products at anytime, without incurring any obligation to owners of units previously sold.

www.farm-king.com

Farm King

301 Mountain Street South
Morden, MB R6M 1X7
Toll Free: 888.524.1004
E-mail: info@buhler.com
www.farm-king.com

Equipment shown is subject to change without notice.
©2018 Buhler Trading Inc. Printed in Canada TSX:BU1