

MK 80 Swingaway Augers



It's not an
ordinary auger...
It's a Westfield.



MK 80 Features

- Available in 51', 61' and 71' lengths
- Up to 3,900 bph
- A-frame design for maximum stability
- Trussing provides maximum support with full bin reach
- Choice of mechanical or hydraulic swing auger drives
- Equipped with heavy-duty constant velocity (CV) PTO shaft to eliminate vibrations for smoother running and less stress on the drive train
- Wear Edge™ flighting at critical grain transfer points (hopper, swing and removable boot flight) to improve auger performance and durability
- Spring loaded safety discharge door on intake hopper guards against main auger overloading
- Removable boot flight with Wear Edge™ to improve performance and durability of lower flighting



Safety Discharge

Spring loaded safety discharge door on the intake hopper guards against main overloading.



Trussing

Heavy-duty cable trussing provides maximum support with full bin reach.



Single Cylinder Hydraulic Lift

Proven cylinder lift provides smooth, fast operation with minimal hydraulic requirements. Combined with the A-frame undercarriage, Westfield's design allows you to position your auger at the bin with ease.



CV-PTO Shaft

Assures smooth operation with vibration-free running, longer wear and constant high capacity grain flow.

MK80



Hopper Lift Arm

Can be quickly changed from the left or right hand side of the auger to give the operator the convenience of unloading on both sides.



Track & Lift Assist

Continuous 11 GA track is welded to the tube for increased stability and structural support. The multi-roller track shoe reduces the pressure needed to raise the auger and provides a lower transport position.

Undercarriage & Wheels

Heavy-duty A-frame provides support and stability and comes with 15" transport wheels with 4-bolt cast iron hubs.



Hopper Options



Standard Hopper

Quickly switches to right or left hand operation. A vertical transport position provides for quick, easy clean-out.

- 5" rubber extension – holds more grain while reducing spillage
- Convenient boot clean-out and service access doors

Add These Optional Features

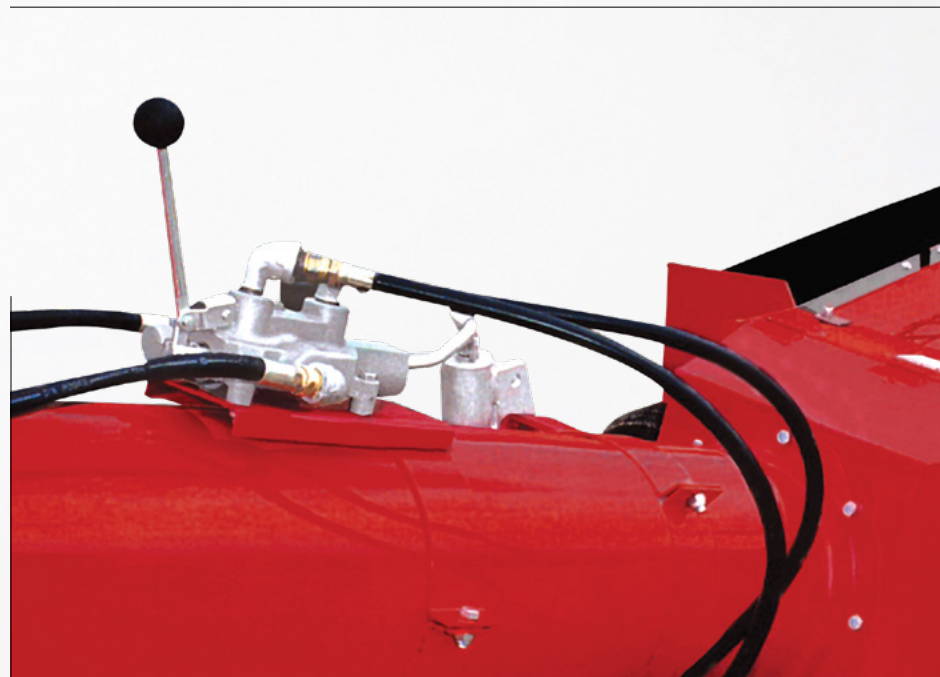
Flex Spouts

Directs grain flow – reduces spillage. Available in regular or no-snag designs.



Corn Screen

Up to 4' long. Available on all models. Factory installed on the swing hopper tube.



Right Angle Drive

Assists operation in limited space situations. Allows a full arc on opposite side of tractor.



Reverser Kit

Ability to reverse all flighting. Allows for quick and easy clean-out.

Upgrade to the **Hydraulic Power Swing**

- Easy installation
- Top wind jack to adjust wheel traction
- Two wheel drive design
- Hydraulic drive moves swing hopper
- Convenient tube mounted control valve
- Complete with hydraulic hoses

MK80

| AUGER SPECIFICATIONS | | | |
|---|--|------------|------------|
| | MK80-51 | MK80-61 | MK80-71 |
| TUBING GAUGE | 14 GA Welded Steel | | |
| MAIN FLIGHTING | 10 GA Stretched & Welded | | |
| WEAR EDGE™ (REINFORCED FLIGHT) | 10 GA Ribbon Welded Wear Edge™ on Critical Grain Transfer Points including the Intake Hopper Flighting, Initial Incline Flighting & Boot Flighting | | |
| FLIGHTING SHAFT | 1.66" x 11 GA Tubing | | |
| PSI REQUIRED TO RAISE AUGER | 850 PSI | 950 PSI | 1200 PSI |
| PTO LINE DRIVE | 14 Series with $\frac{5}{16}$ " Shear Bolt | | |
| HP REQUIRED | 40 | 45 | 50 |
| TUBE TRUSSING | $\frac{5}{16}$ " Aircraft Type Galvanized Cable | | |
| TRACK | High Yield 11 GA Roll Formed | | |
| TRACK SHOE | Double 2 $\frac{3}{4}$ " Rollers | | |
| UNDERCARRIAGE | 3" x 11 GA Frame | | |
| AXLE | 2 $\frac{1}{2}$ " x 2 $\frac{1}{2}$ " x $\frac{1}{8}$ " Wall Square Tubing | | |
| HUBS & WHEELS | 4 Bolt Agricultural Type Hubs - 15" Wheels | | |
| WHEEL TREAD | 106" | 112" | 118" |
| HYDRAULIC LIFT | One 4" Cylinder with $\frac{5}{16}$ " Aircraft Cable | | |
| TRANSPORT HEIGHT | 12' 10" | 13' 6" | 14' 6" |
| TIRES REQUIRED | 15" Agricultural Tires | | |
| *STANDARD HOPPER HEIGHT | 10 $\frac{1}{2}$ " | | |
| APPROXIMATE HYDRAULIC FLUID REQUIRED TO RAISE AUGER | 6.2 Litres | 7.5 Litres | 9.0 Litres |

*Hopper height is to top of metal portion (add 4" for the rubber extension).

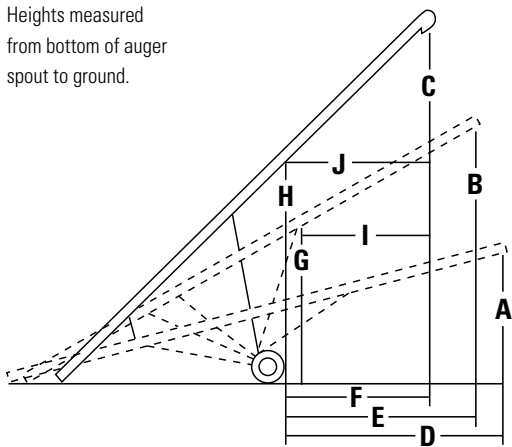
Note: Capacities may vary according to the commodity and moisture content. Specifications and design are subject to change without notice.

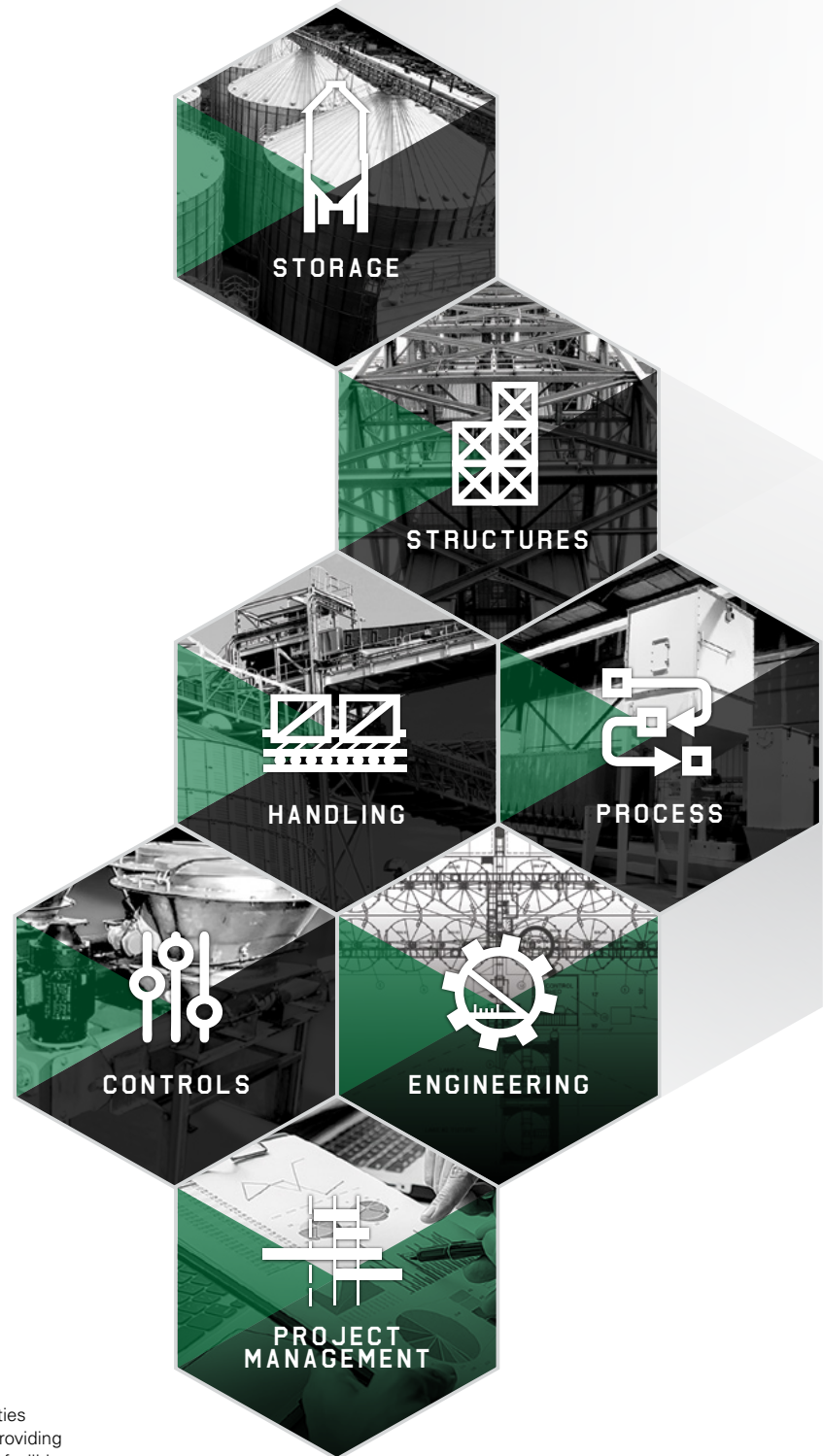
DISCLAIMER: This auger was proudly designed to handle dry, free-flowing grains up to a maximum of 65 lb/bu (52 lb/cf). Any usage of this auger outside of this is not authorized by AGI.

HEIGHT, REACH & WHEEL SPECIFICATIONS

| | A | B | C | D | E | F | G | H | I | J |
|---------|----------------|----------------|---------------|---------------|---------------|--------------|--------------------|------------------|-------------------|-----------------|
| | Height Lowered | Height Halfway | Height Raised | Reach Lowered | Reach Halfway | Reach Raised | Height at Liftarms | Height at Wheels | Reach to Liftarms | Reach to Wheels |
| MK80-51 | 10' 10" | 23' 7" | 34' 8" | 23' 9" | 22' | 19' 6" | 14' 10" | 19' | 18' 5" | 19' 6" |
| MK80-61 | 11' 5" | 27' | 40' 6" | 28' 10" | 27' | 23' 3" | 17' | 22' 4" | 22' 6" | 23' 3" |
| MK80-71 | 12' 6" | 32' 8" | 46' 6" | 33' 7" | 30' 9" | 27' 2" | 20' 7" | 25' 10" | 25' 9" | 26' 10" |

Heights measured from bottom of auger spout to ground.





WESTFIELD is an AGI Brand.

AGI is a leading provider of equipment solutions for agriculture bulk commodities including seed, fertilizer, grain, and feed systems with a growing platform in providing equipment and solutions for food processing facilities. AGI has manufacturing facilities in Canada, the United States, the United Kingdom, Brazil, South Africa and Italy and distributes its products globally.

AGI WESTFIELD

Box 39, 74 Main Street, Rosenort, Manitoba, Canada R0G 1W0
 1.866.467.7207 | grainaugers.com