

**J600**

English version

**EDITION - 04/2016**

**CODE - 0**

## **Parts catalog**



**M QUINAS AGR COLAS JACTO S.A.**

Rua Dr. Luiz Miranda, 1650

17580-000 - Pompia - SP - Brasil

Tel.: +55 14 3405-2100 - Fax: +55 14 3452 1306

[E-mail: export@jacto.com.br](mailto:export@jacto.com.br)

Home page: <http://www.jacto.com.br>



# J-600

| EQUIPMENT | PAGE |
|-----------|------|
| J600..... | 4    |

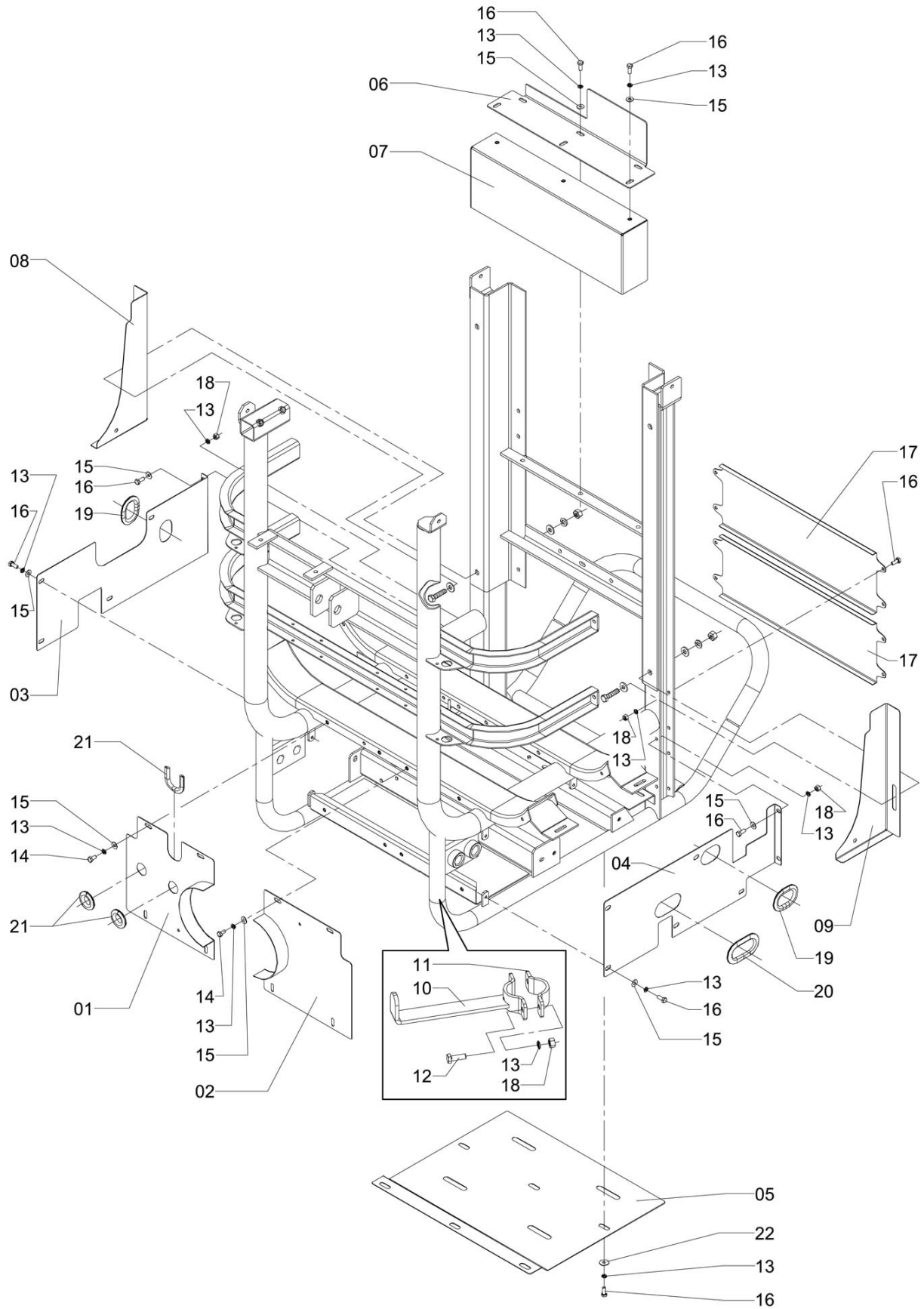
**J600**  
**(Edition: 2016/04)**

| ENTIRE ASSEMBLIES   | PAGE |
|---|------|
| <b>ACCESSORIES BOX</b>                                    |      |
| ACCESSORIES BOX (JS-600 EL)                               | 95   |
| ACCESSORIES BOX   | 99   |
| ASSEMBLY - COMBINATION WRENCH + SCREW WRENCH (FOR EXPORT) | 96   |
| FILLING HOSE  | 98   |
| FILTERING VALVE ASSEMBLY                                  | 97   |
| JEC-2500 COMPUTER   | 40   |
| <b>CHASSIS AND COMPLEMENTS</b>                            |      |
| CHASSIS AND COMPLEMENTS                                   | 10   |
| CHASSIS AND COMPLEMENTS (ELECTRIC CONTROL)                | 8    |
| PROTECTION ASSEMBLY                                       | 6    |
| <b>CHEMICAL CIRCUIT AND COMPLEMENTS</b>                   |      |
| 100-LITER SUCTION FILTER WITH VALVE                       | 71   |
| 15-LITER TANK ASSEMBLY                                    | 57   |
| 3-WAY REGULATING VALVE                                    | 67   |
| ASSEMBLY: 15-LITER TANK AND SUPPORT                       | 58   |
| CENTRIFUGAL PUMP BC-1143 (DUAL STAGE - SERIES 4)          | 68   |
| CENTRIFUGAL PUMP WITH 3-WAY VALVE                         | 69   |
| CHEMICAL CIRCUIT  | 28   |
| CHEMICAL CIRCUIT - ELECTRIC                               | 34   |
| CHEMICAL CONTAINER RINSE NOZZLE                           | 74   |
| CHEMICAL CONTAINER RINSE NOZZLE NO.4                      | 75   |
| CHEMICAL CONTAINER RINSE NOZZLE ROD                       | 73   |
| CONTACT DISC  | 76   |
| CONTROL BRANCH - ASSEMBLY                                 | 82   |
| COVER ASSEMBLY - QUICK RELIEF MOTOR                       | 80   |
| DIRECTIONAL VALVE   | 72   |
| ELECTRIC CONTROL AND COMPLEMENTS                          | 85   |
| ELECTRIC CONTROL VALVE                                    | 83   |
| ELECTRICAL CONTROL - MASTERFLOW                           | 32   |
| FLOW RATE REGULATING VALVE                                | 59   |
| GEAR CASE COVER ASSEMBLY                                  | 79   |
| GEAR CASE SHAFT   | 78   |
| GEAR CASE WITH BUSHING                                    | 77   |
| HOSE - CONTROL/TANK                                       | 88   |
| HOSE - CONTROL/TANK                                       | 61   |
| HOSE - FILTER / PUMP                                      | 66   |
| HOSE - FILTER/TANK  | 62   |
| HOSE - PUMP/CONTROL                                       | 86   |
| HOSE - PUMP/CONTROL                                       | 26   |
| HOSE ASSEMBLY (AGITATOR 1/4" X 340)                       | 65   |
| LEVEL INDICATOR 5   | 70   |
| LID WITH BREATHER   | 84   |
| MECHANICAL AGITATOR N. 8                                  | 63   |
| MECHANICAL AGITATOR NO. 3                                 | 64   |
| QUICK RELIEF  | 81   |
| QUICK RELIEF REDUCTION BOX AND BRANCHES                   | 30   |
| RETURN HOSE - 1" X 1300MM                                 | 60   |
| RETURN HOSE - 1" X 700                                    | 87   |
| <b>HYDRAULIC CIRCUIT AND COMPLEMENTS</b>                  |      |
| DIRECTIONAL CONTRL WITH NIPPLE                            | 93   |
| DUCT ACTUATION CIRCUIT                                    | 36   |
| DUCT ACTUATION CIRCUIT                                    | 91   |
| DUCT ACTUATION CIRCUIT                                    | 38   |
| DUCT ACTUATION CIRCUIT (CHT)                              | 94   |
| ELECTRICAL HYDRAULIC CONTROL WITH NIPPLE                  | 90   |
| HYDRAULIC CONTROL - ELECTRIC OPERATION                    | 89   |
| HYDRAULIC OIL RESERVOIR (4 LITERS)                        | 92   |
| <b>OPTIONAL ITEMS</b>                                     |      |
| 2000 EXTENSION KIT FOR "JS-600"                           | 46   |
|   |      |





# PROTECTION ASSEMBLY



C3P-115

Controlled copy – Distribution and reproduction prohibited

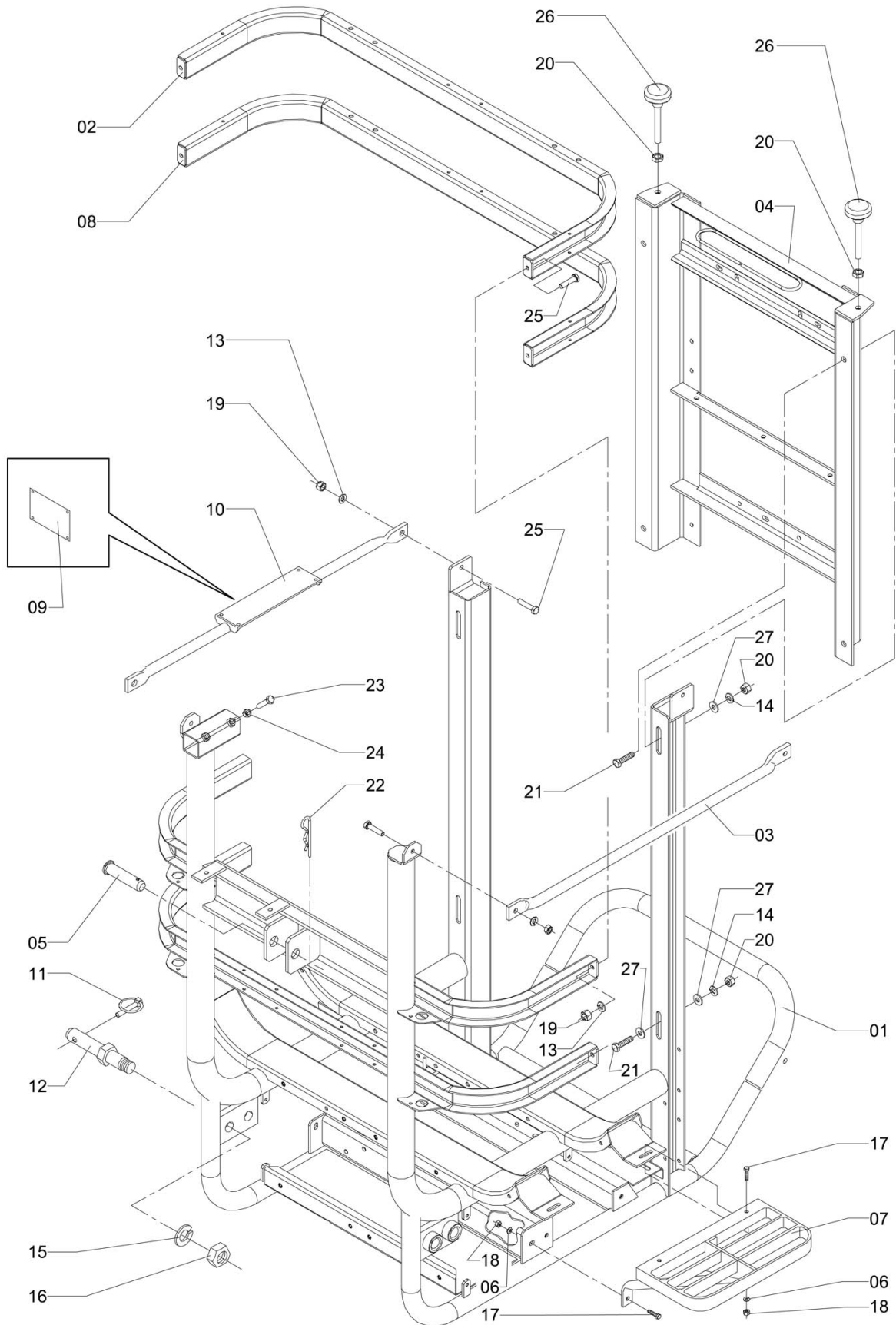
## PROTECTION ASSEMBLY

Continuation

| Item | CODE    | DESCRIPTION                                  | Qty. | Item | CODE | DESCRIPTION | Qty. |
|------|---------|--|------|------|------|-------------|------|
| 00   | 1177800 | Protection assembly                          | 1    |      |      |             |      |
| 01   | 1177470 | Shaft right protection                       | 1    |      |      |             |      |
| 02   | 1177475 | Shaft left protection                        | 1    |      |      |             |      |
| 03   | 1177476 | Right lateral protection                     | 1    |      |      |             |      |
| 04   | 1177477 | Left lateral protection                      | 1    |      |      |             |      |
| 05   | 1177482 | Lower protection                             | 1    |      |      |             |      |
| 06   | 1177483 | Fastening plate body                         | 1    |      |      |             |      |
| 07   | 1177486 | Transmission protection assembly             | 1    |      |      |             |      |
| 08   | 1177489 | Chassis right lateral protection             | 1    |      |      |             |      |
| 09   | 1177491 | Chassis left lateral protection              | 1    |      |      |             |      |
| 10   | 1176044 | PTO shaft support                            | 1    |      |      |             |      |
| 11   | 288910  | Semiclamp for tubes 42.4                     | 1    |      |      |             |      |
| 12   | 829382  | Hex head bolt M8 x 25 x 1.25                 | 2    |      |      |             |      |
| 13   | 519736  | Lock washer                                  | 43   |      |      |             |      |
| 14   | 829341  | Hex. head bolt M8 x 16 x 1.25                | 8    |      |      |             |      |
| 15   | 881276  | Flat washer 8.7 x 20 x 1.2 - stainless steel | 27   |      |      |             |      |
| 16   | 829374  | Hex. head bolt M8 x 20 x 1.25 -cl 8.8        | 33   |      |      |             |      |
| 17   | 1177479 | Rear protection body                         | 2    |      |      |             |      |
| 18   | 810770  | Hex. nut M-8 x 1.25                          | 14   |      |      |             |      |
| 19   | 695262  | Rubber profile 200                           | 2    |      |      |             |      |
| 20   | 1160584 | Rubber Profile 250                           | 1    |      |      |             |      |
| 21   | 1176735 | Protection gasket - 140mm                    | 3    |      |      |             |      |
| 22   | 733253  | Flat washer 8.2 X 25.4 X 1.5 steel           | 6    |      |      |             |      |

Controlled copy – Distribution and reproduction prohibited

# CHASSIS AND COMPLEMENTS (ELECTRIC CONTROL)



C3P-117

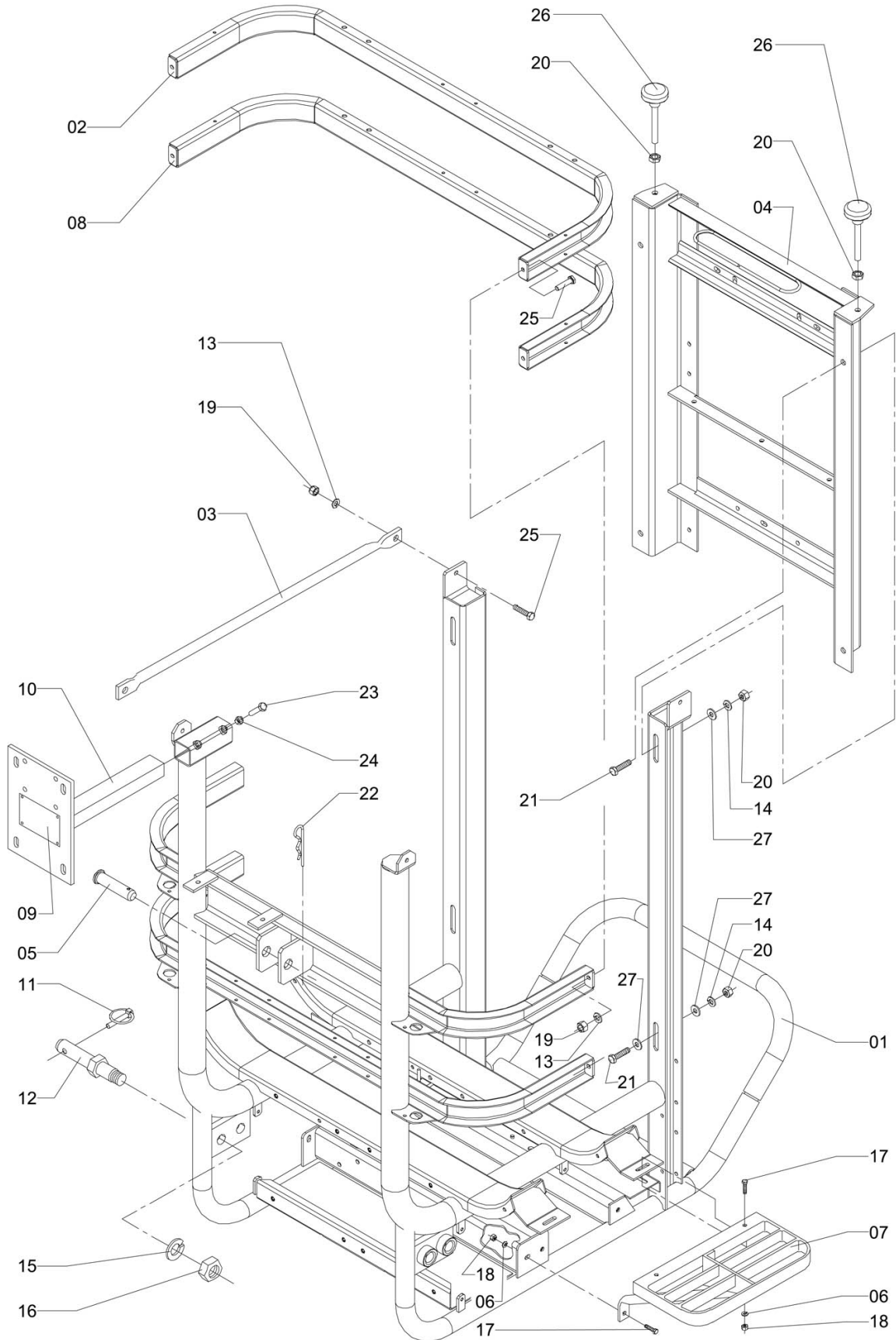
## CHASSIS AND COMPLEMENTS (ELECTRIC CONTROL)

Continuation

| Item | CODE   | DESCRIPTION                                | Qty. | Item | CODE | DESCRIPTION | Qty. |
|------|--------|--|------|------|------|-------------|------|
| 00   | 150409 | Chassis and complements (electric control) | 1    |      |      |             |      |
| 01   | 516948 | Chassis body                               | 1    |      |      |             |      |
| 02   | 517235 | Upper half-strap                           | 1    |      |      |             |      |
| 03   | 517250 | Angle brace 850                            | 1    |      |      |             |      |
| 04   | 517268 | Fan support                                | 1    |      |      |             |      |
| 05   | 517383 | Upper coupling pin 1" x 109                | 1    |      |      |             |      |
| 06   | 519736 | Lock washer                                | 3    |      |      |             |      |
| 07   | 520791 | Platform                                   | 1    |      |      |             |      |
| 08   | 625111 | Lower half-strap                           | 1    |      |      |             |      |
| 09   | 625236 | Plate "With instructions for runing PTO"   | 1    |      |      |             |      |
| 10   | 149542 | Sprayer Control Support                    | 1    |      |      |             |      |
| 11   | 812636 | Universal lock pin 7/16"                   | 2    |      |      |             |      |
| 12   | 870758 | Lower coupling pin                         | 2    |      |      |             |      |
| 13   | 908566 | Lock washer 3/8"                           | 8    |      |      |             |      |
| 14   | 908582 | Lock washer 1/2"                           | 4    |      |      |             |      |
| 15   | 910075 | Lock washer 1"                             | 2    |      |      |             |      |
| 16   | 910430 | Nut 1" - 8 UNC                             | 2    |      |      |             |      |
| 17   | 912667 | Bolt 5/16" x 18 UNC x 7/8                  | 3    |      |      |             |      |
| 18   | 912758 | Hex. nut 5/16" - 18 UNC                    | 3    |      |      |             |      |
| 19   | 518761 | Hex. nut 3/8"                              | 8    |      |      |             |      |
| 20   | 912790 | Hex. nut 1/2" - 13 UNC                     | 6    |      |      |             |      |
| 21   | 428573 | Bolt 1/2" - 13 UNC x 1.1/4"                | 4    |      |      |             |      |
| 22   | 517409 | Cotter pin 3/16"                           | 1    |      |      |             |      |
| 23   | 757559 | Hex. bolt M10 x 30 x 1.25                  | 2    |      |      |             |      |
| 24   | 907030 | Hex. nut M10 x 1.25                        | 2    |      |      |             |      |
| 25   | 912709 | Bolt 3/8" - 16 UNC x 1"                    | 8    |      |      |             |      |
| 26   | 517359 | Tightening screw 1/2" - 13 UNC x 78        | 2    |      |      |             |      |
| 27   | 818112 | Flat washer 130 x 240 x 30                 | 6    |      |      |             |      |

Controlled copy – Distribution and reproduction prohibited

# CHASSIS AND COMPLEMENTS



C3P-116

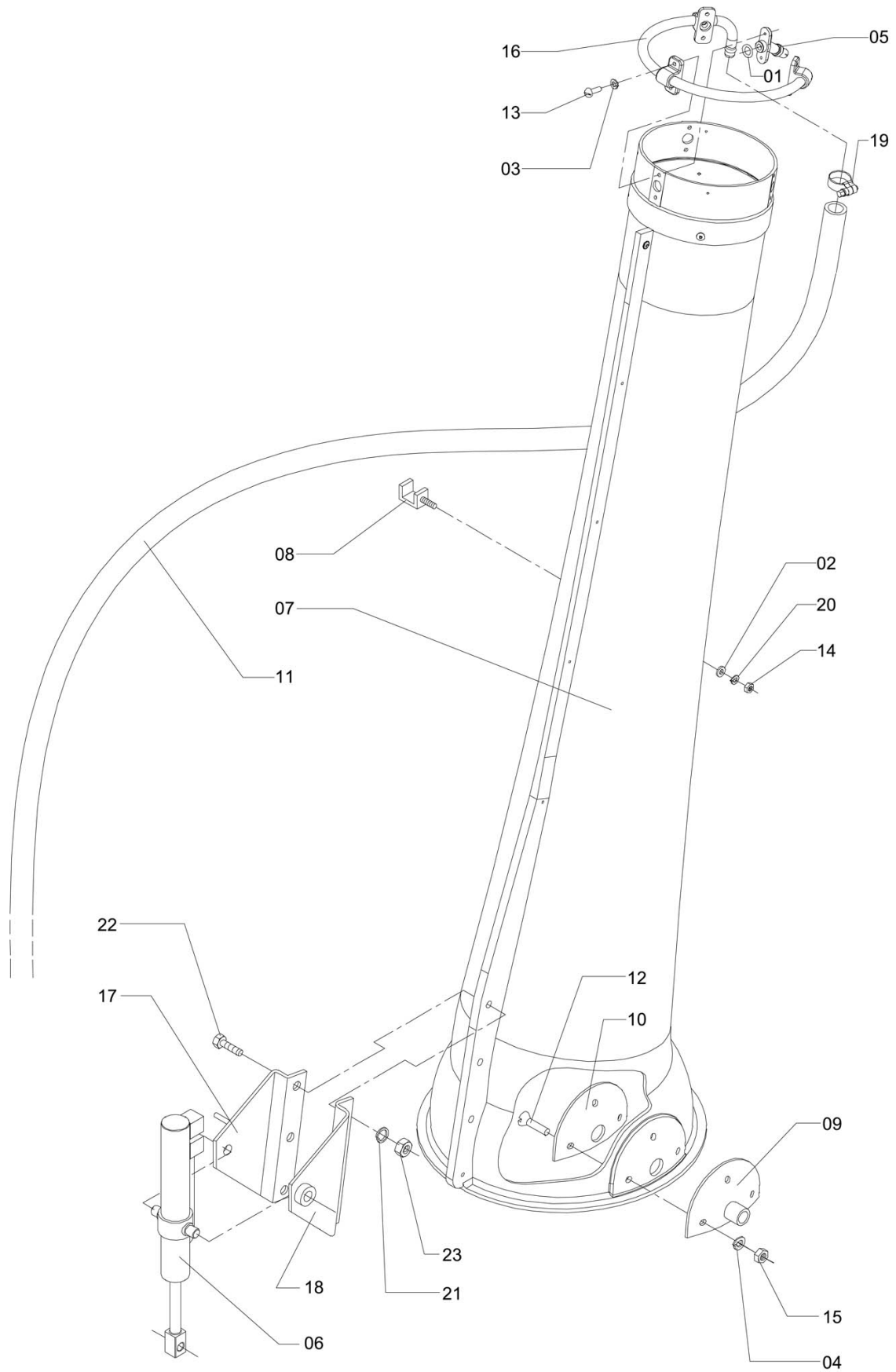
## CHASSIS AND COMPLEMENTS

Continuation

| Item | CODE   | DESCRIPTION                              | Qty. | Item | CODE | DESCRIPTION | Qty. |
|------|--------|--|------|------|------|-------------|------|
| 00   | 354779 | Chassis and complements                  | 1    |      |      |             |      |
| 01   | 516948 | Chassis body                             | 1    |      |      |             |      |
| 02   | 517235 | Upper half-strap                         | 1    |      |      |             |      |
| 03   | 517250 | Angle brace 850                          | 2    |      |      |             |      |
| 04   | 517268 | Fan support                              | 1    |      |      |             |      |
| 05   | 517383 | Upper coupling pin 1" x 109              | 1    |      |      |             |      |
| 06   | 519736 | Lock washer                              | 3    |      |      |             |      |
| 07   | 520791 | Platform                                 | 1    |      |      |             |      |
| 08   | 625111 | Lower half-strap                         | 1    |      |      |             |      |
| 09   | 625236 | Plate "With instructions for runing PTO" | 1    |      |      |             |      |
| 10   | 732180 | Control valve bracket                    | 1    |      |      |             |      |
| 11   | 812636 | Universal lock pin 7/16"                 | 2    |      |      |             |      |
| 12   | 870758 | Lower coupling pin                       | 2    |      |      |             |      |
| 13   | 908566 | Lock washer 3/8"                         | 8    |      |      |             |      |
| 14   | 908582 | Lock washer 1/2"                         | 4    |      |      |             |      |
| 15   | 910075 | Lock washer 1"                           | 2    |      |      |             |      |
| 16   | 910430 | Nut 1" - 8 UNC                           | 2    |      |      |             |      |
| 17   | 912667 | Bolt 5/16" x 18 UNC x 7/8                | 3    |      |      |             |      |
| 18   | 912758 | Hex. nut 5/16" - 18 UNC                  | 3    |      |      |             |      |
| 19   | 518761 | Hex. nut 3/8"                            | 8    |      |      |             |      |
| 20   | 912790 | Hex. nut 1/2" - 13 UNC                   | 6    |      |      |             |      |
| 21   | 428573 | Bolt 1/2" - 13 UNC x 1.1/4"              | 4    |      |      |             |      |
| 22   | 517409 | Cotter pin 3/16"                         | 1    |      |      |             |      |
| 23   | 757559 | Hex. bolt M10 x 30 x 1.25                | 2    |      |      |             |      |
| 24   | 907030 | Hex. nut M10 x 1.25                      | 2    |      |      |             |      |
| 25   | 912709 | Bolt 3/8" - 16 UNC x 1"                  | 8    |      |      |             |      |
| 26   | 517359 | Tightening screw 1/2" - 13 UNC x 78      | 2    |      |      |             |      |
| 27   | 818112 | Flat washer 130 x 240 x 30               | 6    |      |      |             |      |

Controlled copy – Distribution and reproduction prohibited

# VERTICAL DUCT ASSEMBLY (CHT)



CA-293



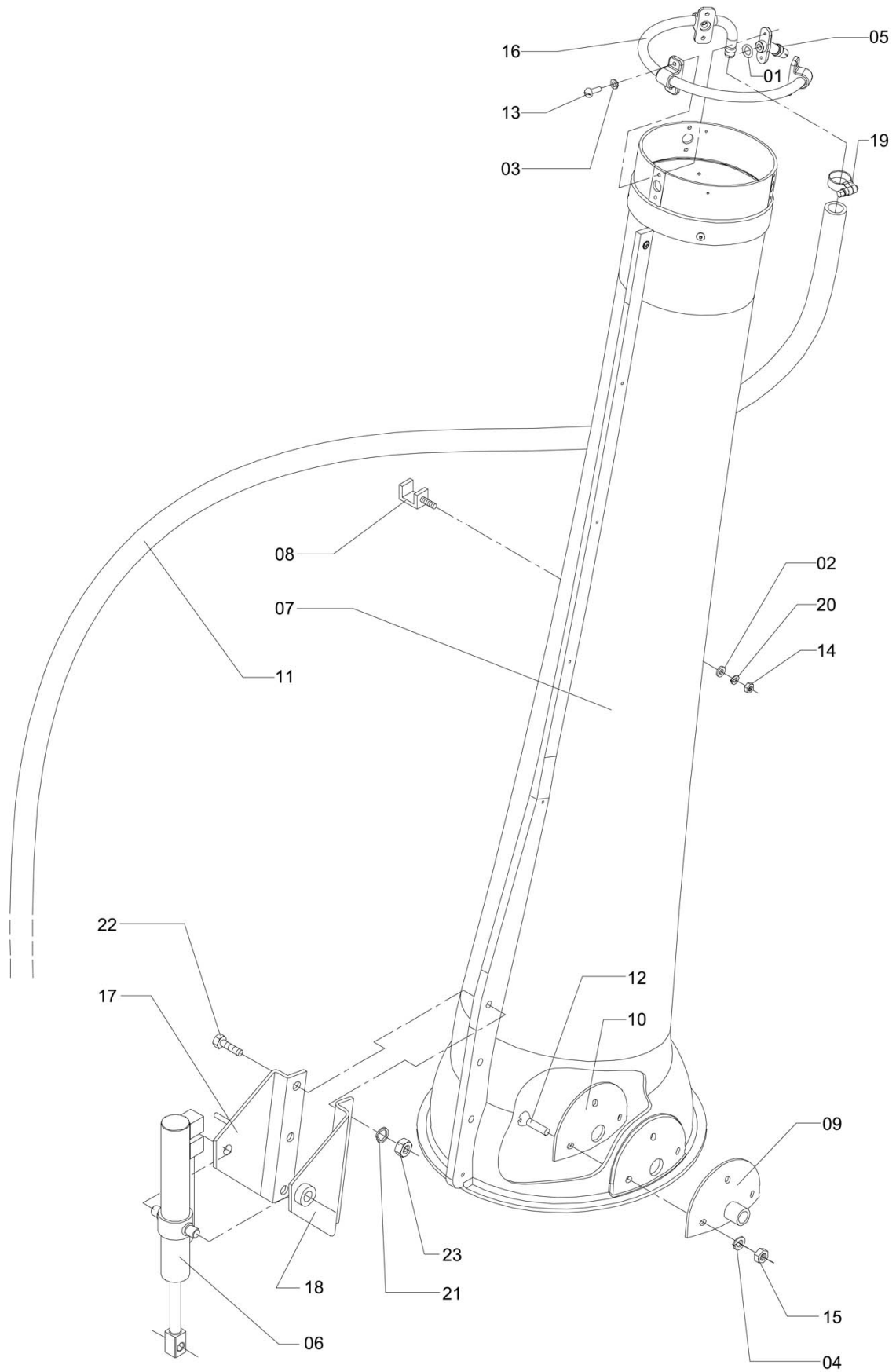
## VERTICAL DUCT ASSEMBLY (CHT)

Continuation

| Item | CODE    | DESCRIPTION                                  | Qty. | Item | CODE | DESCRIPTION | Qty. |
|------|---------|--|------|------|------|-------------|------|
| 00   | 1189296 | Vertical duct assembly (CHT)                 | 1    |      |      |             |      |
| 01   | 411884  | O-ring ORI - 111                             | 3    |      |      |             |      |
| 02   | 413468  | Flat washer 6.8 x 18 x 1.2 - stainless steel | 1    |      |      |             |      |
| 03   | 520676  | Lock washer 5                                | 6    |      |      |             |      |
| 04   | 519736  | Lock washer                                  | 12   |      |      |             |      |
| 05   | 519603  | Deflector nozzle 30                          | 3    |      |      |             |      |
| 06   | 045939  | Hydraulic cylinder with nipple - 160         | 1    |      |      |             |      |
| 07   | 971663  | Vertical duct                                | 1    |      |      |             |      |
| 08   | 519363  | Single fastener                              | 1    |      |      |             |      |
| 09   | 620633  | External bearing                             | 2    |      |      |             |      |
| 10   | 620674  | Internal bearing                             | 2    |      |      |             |      |
| 11   | 456822  | Hose 1/2" x 3200                             | 1    |      |      |             |      |
| 12   | 833814  | Screw 5/16" UNC x 1"                         | 6    |      |      |             |      |
| 13   | 202382  | Screw 3/16" UNC x 3/4"                       | 6    |      |      |             |      |
| 14   | 912741  | Nut 1/4" - 20 UNC                            | 1    |      |      |             |      |
| 15   | 912758  | Hex. nut 5/16" - 18 UNC                      | 6    |      |      |             |      |
| 16   | 521617  | Upper nozzle branch                          | 1    |      |      |             |      |
| 17   | 926337  | Cylinder support                             | 1    |      |      |             |      |
| 18   | 926345  | Cylinder support                             | 1    |      |      |             |      |
| 19   | 107664  | Clamp D14-22 - stainless steel               | 1    |      |      |             |      |
| 20   | 910117  | Lock washer 1/4"                             | 1    |      |      |             |      |
| 21   | 209395  | Lock washer M10                              | 3    |      |      |             |      |
| 22   | 757559  | Hex. bolt M10 x 30 x 1.25                    | 3    |      |      |             |      |
| 23   | 209205  | Hex. nut M10 x 1,50                          | 3    |      |      |             |      |

Controlled copy – Distribution and reproduction prohibited

# VERTICAL DUCT ASSEMBLY



CA-293

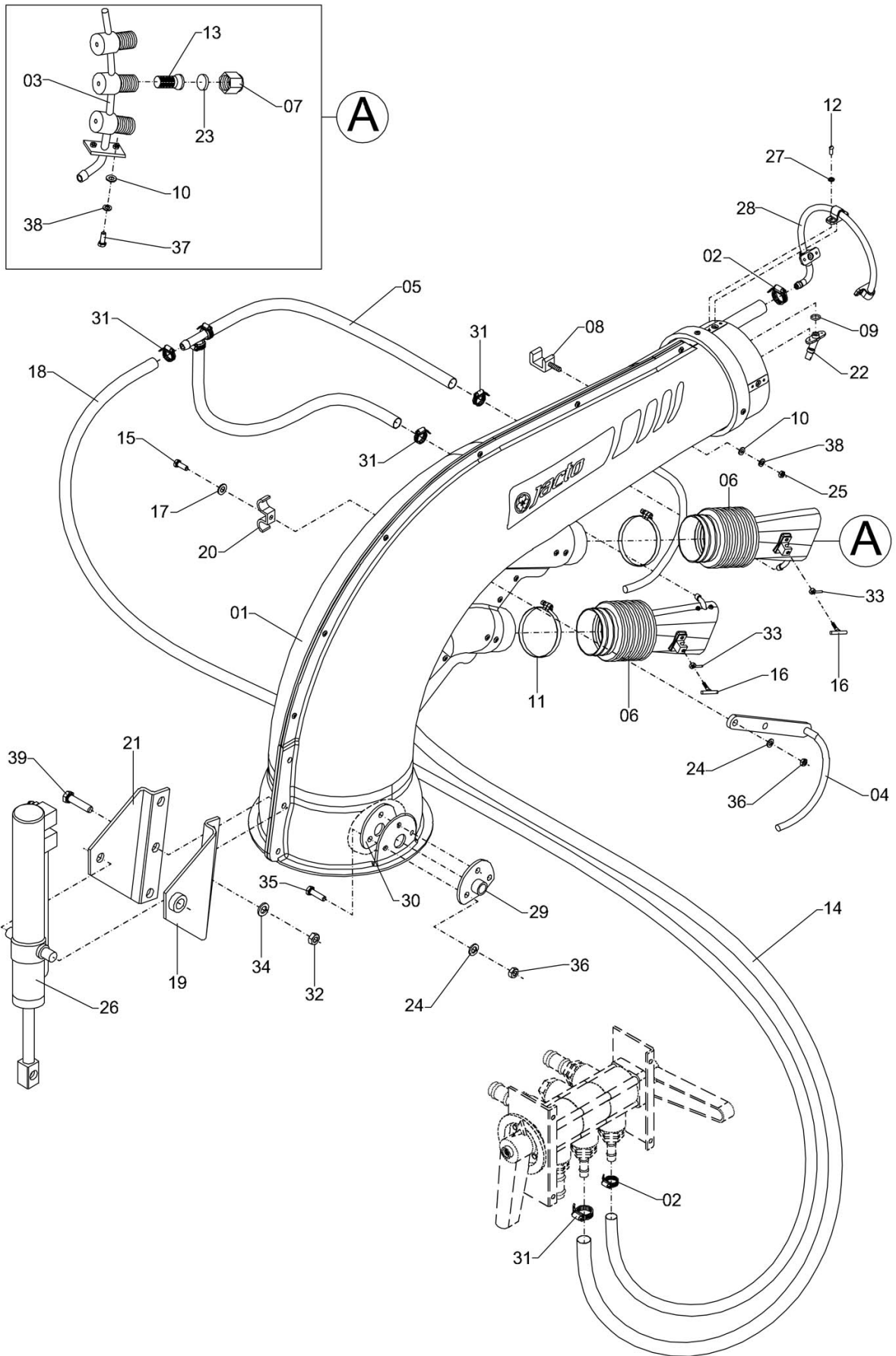
## VERTICAL DUCT ASSEMBLY

Continuation

| Item | CODE    | DESCRIPTION                                  | Qty. | Item | CODE | DESCRIPTION | Qty. |
|------|---------|--|------|------|------|-------------|------|
| 00   | 1189297 | Vertical duct assembly                       | 1    |      |      |             |      |
| 01   | 411884  | O-ring ORI - 111                             | 3    |      |      |             |      |
| 02   | 413468  | Flat washer 6.8 x 18 x 1.2 - stainless steel | 1    |      |      |             |      |
| 03   | 520676  | Lock washer 5                                | 6    |      |      |             |      |
| 04   | 519736  | Lock washer                                  | 12   |      |      |             |      |
| 05   | 519603  | Deflector nozzle 30                          | 3    |      |      |             |      |
| 06   | 045947  | Hydraulic cylinder with nipple - 160         | 1    |      |      |             |      |
| 07   | 971663  | Vertical duct                                | 1    |      |      |             |      |
| 08   | 519363  | Single fastener                              | 1    |      |      |             |      |
| 09   | 620633  | External bearing                             | 2    |      |      |             |      |
| 10   | 620674  | Internal bearing                             | 2    |      |      |             |      |
| 11   | 456822  | Hose 1/2" x 3200                             | 1    |      |      |             |      |
| 12   | 833814  | Screw 5/16" UNC x 1"                         | 6    |      |      |             |      |
| 13   | 202382  | Screw 3/16" UNC x 3/4"                       | 6    |      |      |             |      |
| 14   | 912741  | Nut 1/4" - 20 UNC                            | 1    |      |      |             |      |
| 15   | 912758  | Hex. nut 5/16" - 18 UNC                      | 6    |      |      |             |      |
| 16   | 521617  | Upper nozzle branch                          | 1    |      |      |             |      |
| 17   | 926337  | Cylinder support                             | 1    |      |      |             |      |
| 18   | 926345  | Cylinder support                             | 1    |      |      |             |      |
| 19   | 107664  | Clamp D14-22 - stainless steel               | 1    |      |      |             |      |
| 20   | 910117  | Lock washer 1/4"                             | 1    |      |      |             |      |
| 21   | 209395  | Lock washer M10                              | 3    |      |      |             |      |
| 22   | 757559  | Hex. bolt M10 x 30 x 1.25                    | 3    |      |      |             |      |
| 23   | 209205  | Hex. nut M10 x 1,50                          | 3    |      |      |             |      |

Controlled copy – Distribution and reproduction prohibited

# DUCT ASSEMBLY - CHT



DT-40

Controlled copy – Distribution and reproduction prohibited

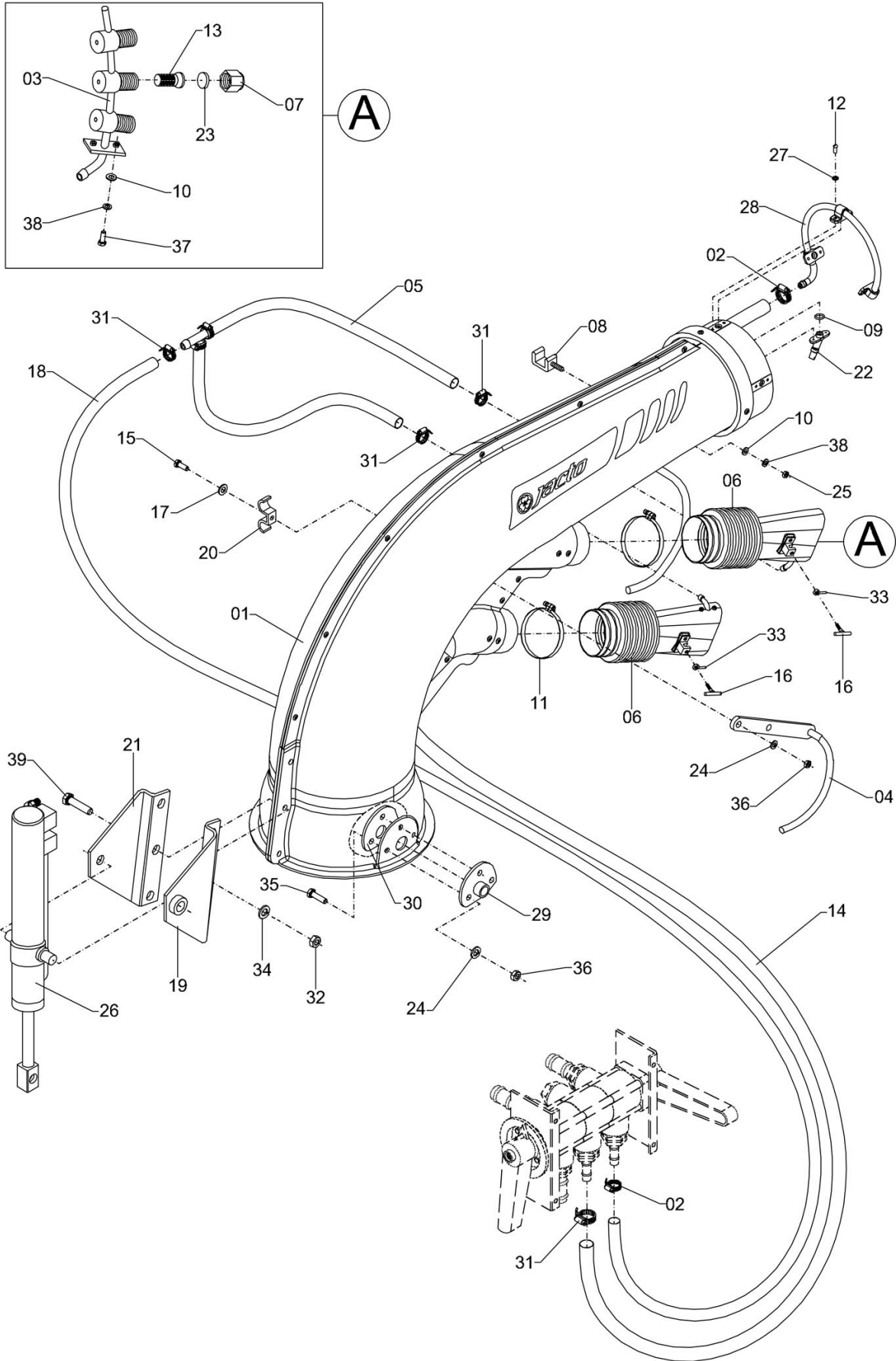
## DUCT ASSEMBLY - CHT

Continuation

| Item | CODE    | DESCRIPTION                                  | Qty. | Item | CODE | DESCRIPTION | Qty. |
|------|---------|--|------|------|------|-------------|------|
| 00   | 1189291 | Duct assembly - CHT                          | 1    |      |      |             |      |
| 01   | 332429  | Outlet duct                                  | 1    |      |      |             |      |
| 02   | 107664  | Clamp D14-22 - stainless steel               | 1    |      |      |             |      |
| 03   | 332536  | Lower nozzle branch                          | 2    |      |      |             |      |
| 04   | 332569  | Lower slide                                  | 1    |      |      |             |      |
| 05   | 695791  | Outlet duct hose                             | 1    |      |      |             |      |
| 06   | 337972  | Lower outlet hose                            | 2    |      |      |             |      |
| 07   | 039545  | Hex. nut 11/16" - 16 UNC                     | 6    |      |      |             |      |
| 08   | 519363  | Single fastener                              | 1    |      |      |             |      |
| 09   | 411884  | O-ring ORI - 111                             | 3    |      |      |             |      |
| 10   | 413468  | Flat washer 6.8 x 18 x 1.2 - stainless steel | 5    |      |      |             |      |
| 11   | 332635  | Clamp D102-121 - stainless steel             | 2    |      |      |             |      |
| 12   | 202382  | Screw 3/16" UNC x 3/4"                       | 6    |      |      |             |      |
| 13   | 439083  | Nozzle filter (50 mesh) - black/black        | 6    |      |      |             |      |
| 14   | 517904  | Hose 1/2" x 4100 - PT 80                     | 1    |      |      |             |      |
| 15   | 721704  | Hex. bolt 5/16" UNC 1.1/4"                   | 2    |      |      |             |      |
| 16   | 944439  | Locking screw 5/16" - 18 UNC x 28            | 2    |      |      |             |      |
| 17   | 013433  | Flat washer 4.8 x 16 x 1.6 inox              | 1    |      |      |             |      |
| 19   | 926345  | Cylinder support                             | 1    |      |      |             |      |
| 20   | 519389  | Double fastener                              | 1    |      |      |             |      |
| 21   | 926337  | Cylinder support                             | 1    |      |      |             |      |
| 22   | 519603  | Deflector nozzle 30                          | 3    |      |      |             |      |
| 23   | 519645  | Blank disk                                   | 6    |      |      |             |      |
| 24   | 519736  | Lock washer                                  | 8    |      |      |             |      |
| 25   | 912741  | Nut 1/4" - 20 UNC                            | 1    |      |      |             |      |
| 26   | 045939  | Hydraulic cylinder with nipple - 160         | 1    |      |      |             |      |
| 27   | 520676  | Lock washer 5                                | 6    |      |      |             |      |
| 28   | 521617  | Upper nozzle branch                          | 1    |      |      |             |      |
| 29   | 620633  | External bearing                             | 2    |      |      |             |      |
| 30   | 620674  | Internal bearing                             | 2    |      |      |             |      |
| 31   | 063370  | Clamp D11-16 - stainless steel               | 3    |      |      |             |      |
| 32   | 518761  | Hex. nut 3/8"                                | 3    |      |      |             |      |
| 33   | 823682  | Lock nut 5/16" - 18 UNC x 28                 | 2    |      |      |             |      |
| 34   | 908566  | Lock washer 3/8"                             | 3    |      |      |             |      |
| 35   | 833814  | Screw 5/16" UNC x 1"                         | 6    |      |      |             |      |
| 36   | 912758  | Hex. nut 5/16" - 18 UNC                      | 8    |      |      |             |      |
| 37   | 910109  | Screw 1/4" - 20 UNC x 1/2"                   | 4    |      |      |             |      |
| 38   | 910117  | Lock washer 1/4"                             | 5    |      |      |             |      |
| 39   | 518753  | Bolt 3/8" - 16 UNC x 1.1/4"                  | 3    |      |      |             |      |

Controlled copy – Distribution and reproduction prohibited

# DUCT ASSEMBLY



CA-297

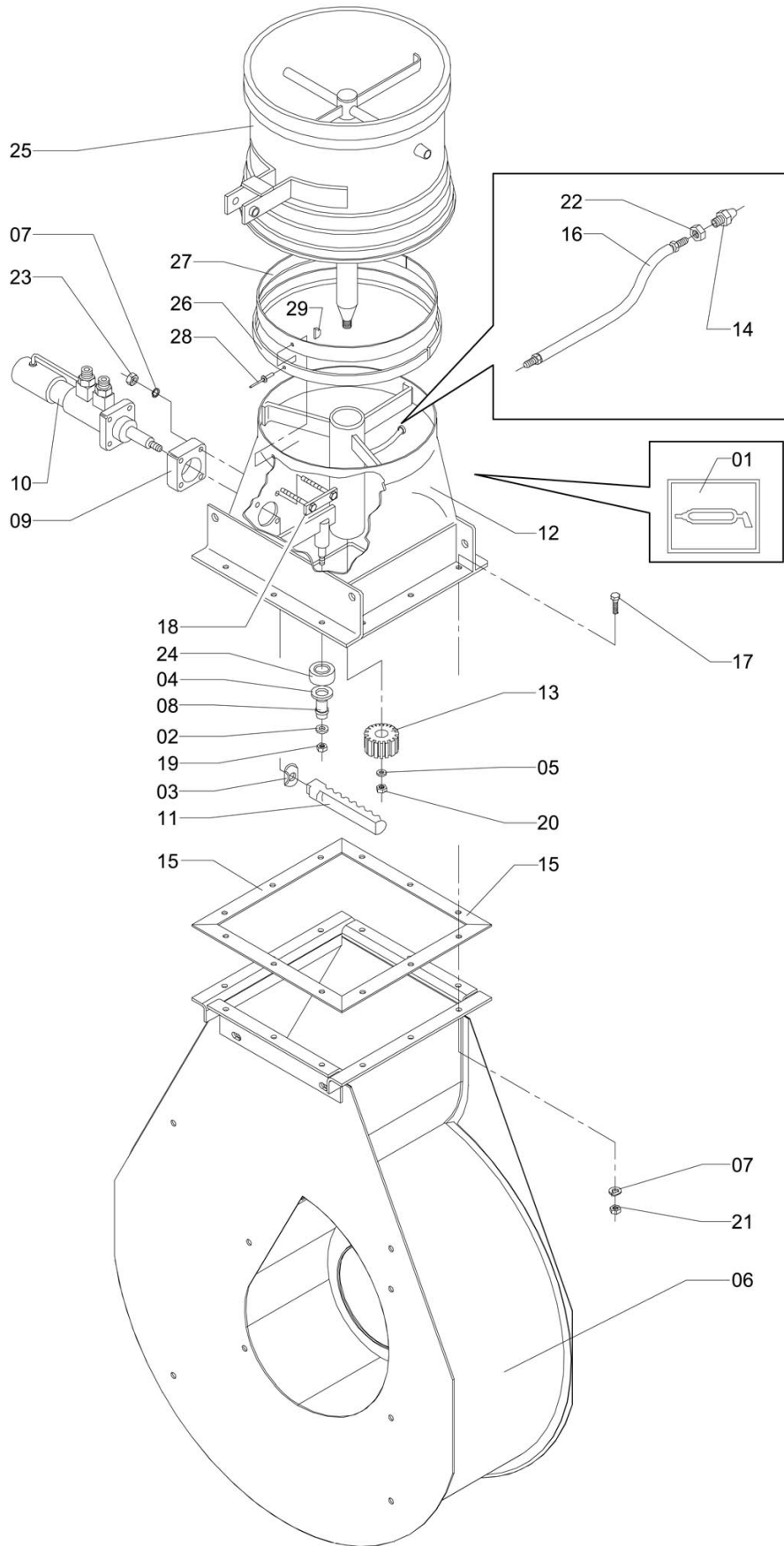
## DUCT ASSEMBLY

Continuation

| Item | CODE    | DESCRIPTION                                  | Qty. | Item | CODE | DESCRIPTION | Qty. |
|------|---------|--|------|------|------|-------------|------|
| 00   | 1189293 | Duct assembly                                | 1    |      |      |             |      |
| 01   | 332429  | Outlet duct                                  | 1    |      |      |             |      |
| 02   | 107664  | Clamp D14-22 - stainless steel               | 1    |      |      |             |      |
| 03   | 332536  | Lower nozzle branch                          | 2    |      |      |             |      |
| 04   | 332569  | Lower slide                                  | 1    |      |      |             |      |
| 05   | 695791  | Outlet duct hose                             | 1    |      |      |             |      |
| 06   | 337972  | Lower outlet hose                            | 2    |      |      |             |      |
| 07   | 039545  | Hex. nut 11/16" - 16 UNC                     | 6    |      |      |             |      |
| 08   | 519363  | Single fastener                              | 1    |      |      |             |      |
| 09   | 411884  | O-ring ORI - 111                             | 3    |      |      |             |      |
| 10   | 413468  | Flat washer 6.8 x 18 x 1.2 - stainless steel | 5    |      |      |             |      |
| 11   | 332635  | Clamp D102-121 - stainless steel             | 2    |      |      |             |      |
| 12   | 202382  | Screw 3/16" UNC x 3/4"                       | 6    |      |      |             |      |
| 13   | 439083  | Nozzle filter (50 mesh) - black/black        | 6    |      |      |             |      |
| 14   | 517904  | Hose 1/2" x 4100 - PT 80                     | 1    |      |      |             |      |
| 15   | 721704  | Hex. bolt 5/16" UNC 1.1/4"                   | 2    |      |      |             |      |
| 16   | 944439  | Locking screw 5/16" - 18 UNC x 28            | 2    |      |      |             |      |
| 17   | 013433  | Flat washer 4.8 x 16 x 1.6 inox              | 1    |      |      |             |      |
| 19   | 926345  | Cylinder support                             | 1    |      |      |             |      |
| 20   | 519389  | Double fastener                              | 1    |      |      |             |      |
| 21   | 926337  | Cylinder support                             | 1    |      |      |             |      |
| 22   | 519603  | Deflector nozzle 30                          | 3    |      |      |             |      |
| 23   | 519645  | Blank disk                                   | 6    |      |      |             |      |
| 24   | 519736  | Lock washer                                  | 8    |      |      |             |      |
| 25   | 912741  | Nut 1/4" - 20 UNC                            | 1    |      |      |             |      |
| 26   | 045947  | Hydraulic cylinder with nipple - 160         | 1    |      |      |             |      |
| 27   | 520676  | Lock washer 5                                | 6    |      |      |             |      |
| 28   | 521617  | Upper nozzle branch                          | 1    |      |      |             |      |
| 29   | 620633  | External bearing                             | 2    |      |      |             |      |
| 30   | 620674  | Internal bearing                             | 2    |      |      |             |      |
| 31   | 063370  | Clamp D11-16 - stainless steel               | 3    |      |      |             |      |
| 32   | 518761  | Hex. nut 3/8"                                | 3    |      |      |             |      |
| 33   | 823682  | Lock nut 5/16" - 18 UNC x 28                 | 2    |      |      |             |      |
| 34   | 908566  | Lock washer 3/8"                             | 3    |      |      |             |      |
| 35   | 833814  | Screw 5/16" UNC x 1"                         | 6    |      |      |             |      |
| 36   | 912758  | Hex. nut 5/16" - 18 UNC                      | 8    |      |      |             |      |
| 37   | 910109  | Screw 1/4" - 20 UNC x 1/2"                   | 4    |      |      |             |      |
| 38   | 910117  | Lock washer 1/4"                             | 5    |      |      |             |      |
| 39   | 518753  | Bolt 3/8" - 16 UNC x 1.1/4"                  | 3    |      |      |             |      |

Controlled copy – Distribution and reproduction prohibited

# FAN BOX ASSEMBLY



CA-296

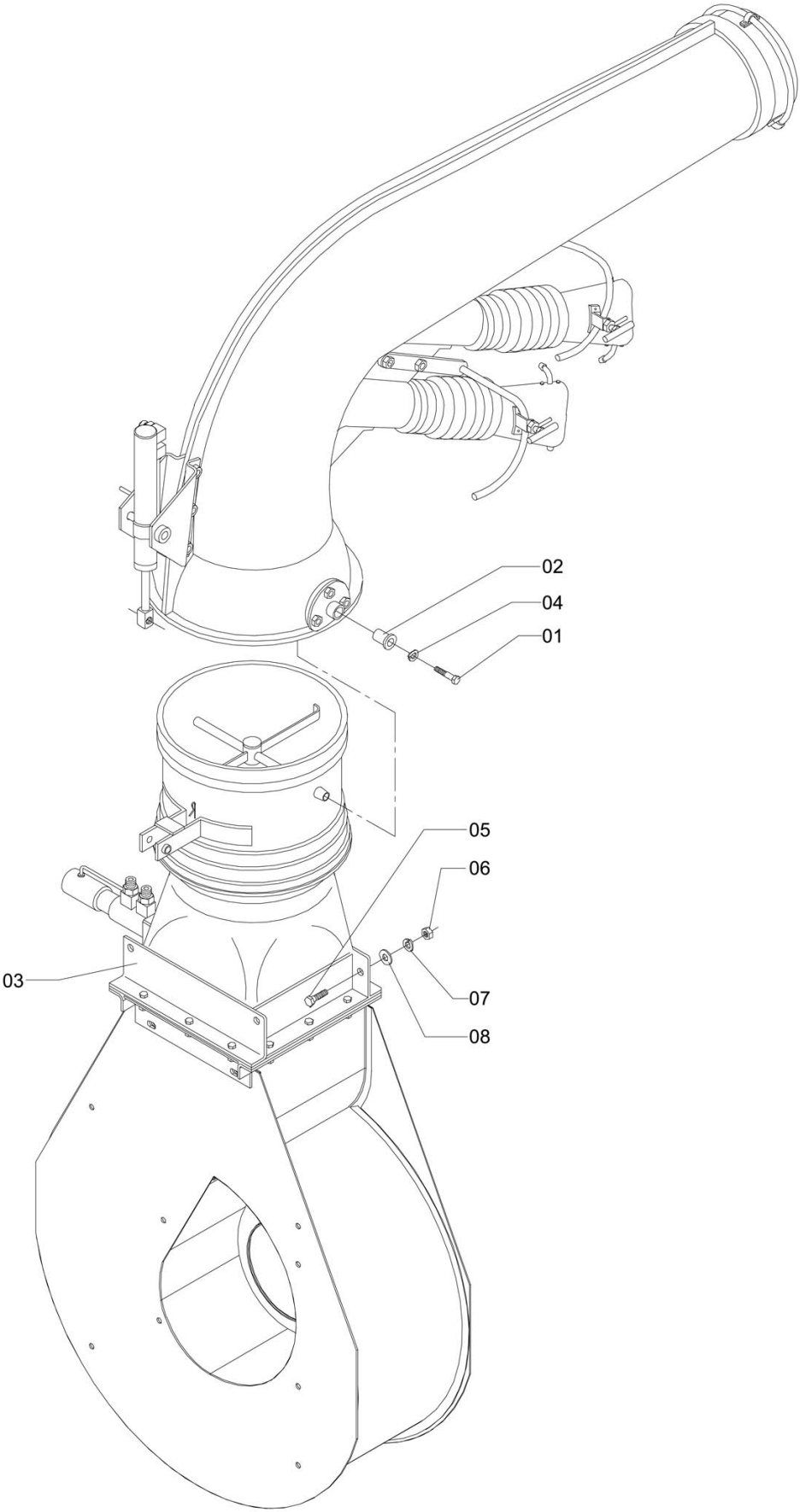


## FAN BOX ASSEMBLY

Continuation

| Item | CODE    | DESCRIPTION                                 | Qty. | Item | CODE | DESCRIPTION | Qty. |
|------|---------|---|------|------|------|-------------|------|
| 00   | 1188730 | Fan box assembly                            | 1    |      |      |             |      |
| 01   | 276220  | Sticker: "Lubrication Point Indication"     | 1    |      |      |             |      |
| 02   | 623884  | Flat washer 10.5 x 21 x 2 - stainless steel | 1    |      |      |             |      |
| 03   | 903591  | Flat washer 25.8 x 13.4 x 1.25              | 1    |      |      |             |      |
| 04   | 705129  | Flat washer 152 x 272 x 9                   | 1    |      |      |             |      |
| 05   | 881243  | Flat washer 17 x 30 x 1,9 - stainless steel | 1    |      |      |             |      |
| 06   | 518605  | Fan housing                                 | 1    |      |      |             |      |
| 07   | 519736  | Lock washer                                 | 16   |      |      |             |      |
| 08   | 519330  | Bushing                                     | 1    |      |      |             |      |
| 09   | 519983  | Hydraulic cylinder spacer                   | 1    |      |      |             |      |
| 10   | 045913  | Hydraulic cylinder with nipples - 32 x 100  | 1    |      |      |             |      |
| 11   | 519975  | Rack  | 1    |      |      |             |      |
| 12   | 519199  | Fixed duct                                  | 1    |      |      |             |      |
| 13   | 519355  | Gear  | 1    |      |      |             |      |
| 14   | 918748  | Grease nipple M6 x 1 - 45                   | 1    |      |      |             |      |
| 15   | 519702  | Packing 32 x 325 x 3.20                     | 4    |      |      |             |      |
| 16   | 695759  | Hose assembly (Agitator 1/4" x 340)         | 1    |      |      |             |      |
| 17   | 829382  | Hex head bolt M8 x 25 x 1.25                | 12   |      |      |             |      |
| 18   | 520999  | Clip plate                                  | 2    |      |      |             |      |
| 19   | 108761  | Nut 3/8" - 16 UNC                           | 1    |      |      |             |      |
| 20   | 521021  | Nut M-16 X 1.50 DODI LOC                    | 1    |      |      |             |      |
| 21   | 810770  | Hex. nut M8 x 1.25                          | 12   |      |      |             |      |
| 22   | 907030  | Hex. nut M10 x 1.25                         | 1    |      |      |             |      |
| 23   | 912758  | Hex. nut 5/16" - 18 UNC                     | 4    |      |      |             |      |
| 24   | 520734  | Bearing no. 6002                            | 1    |      |      |             |      |
| 25   | 519033  | Intermediate duct                           | 1    |      |      |             |      |
| 26   | 519314  | Fastening ring                              | 1    |      |      |             |      |
| 27   | 519306  | Packing                                     | 1    |      |      |             |      |
| 28   | 519785  | Rivbet Pop                                  | 8    |      |      |             |      |
| 29   | 519348  | Half moon key 6 x 9 x 22                    | 1    |      |      |             |      |

**APPLICATION ASSEMBLY (WITH EXTENSION)**



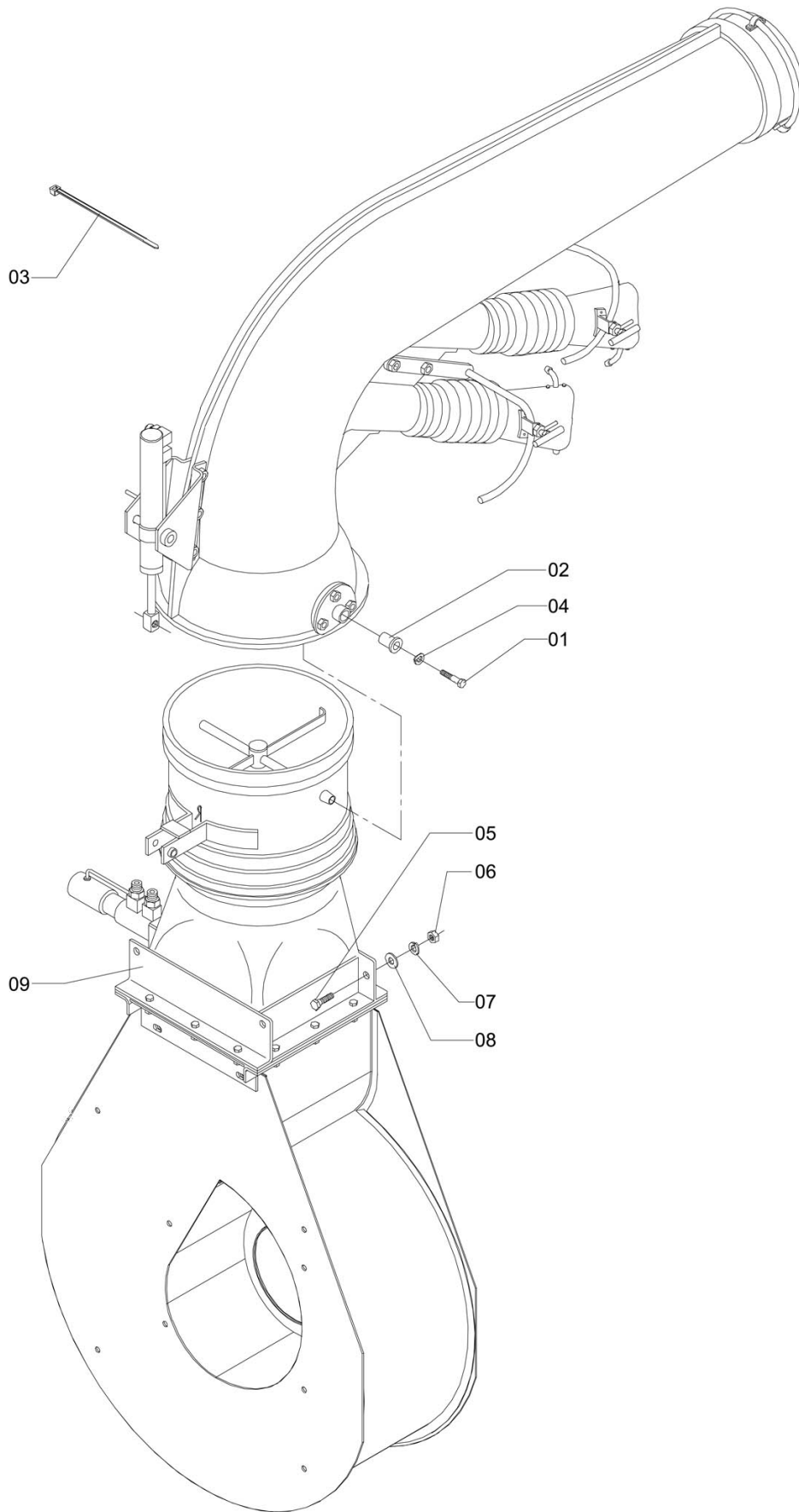
**CA-295**

**APPLICATION ASSEMBLY (WITH EXTENSION)**

Continuation

| Item | CODE    | DESCRIPTION                                 | Qty. | Item | CODE | DESCRIPTION | Qty. |
|------|---------|---|------|------|------|-------------|------|
| 00   | 684654  | Application assembly (with extension)       | 1    |      |      |             |      |
| 01   | 912717  | Bolt 3/8" x 16 UNC x 1.3/4"                 | 2    |      |      |             |      |
| 02   | 620682  | Bushing 15.9 x 28                           | 2    |      |      |             |      |
| 03   | 1188730 | Fan box assembly                            | 1    |      |      |             |      |
| 04   | 908566  | Lock washer 3/8"                            | 2    |      |      |             |      |
| 05   | 829515  | Hex. bolt M10 x 1.5 x 25 CL8.8              | 8    |      |      |             |      |
| 06   | 209205  | Hex. nut M10 x 1,50                         | 8    |      |      |             |      |
| 07   | 209395  | Lock washer M10                             | 8    |      |      |             |      |
| 08   | 623884  | Flat washer 10.5 x 21 x 2 - stainless steel | 8    |      |      |             |      |

**APPLICATION ASSEMBLY**



**CA-294**

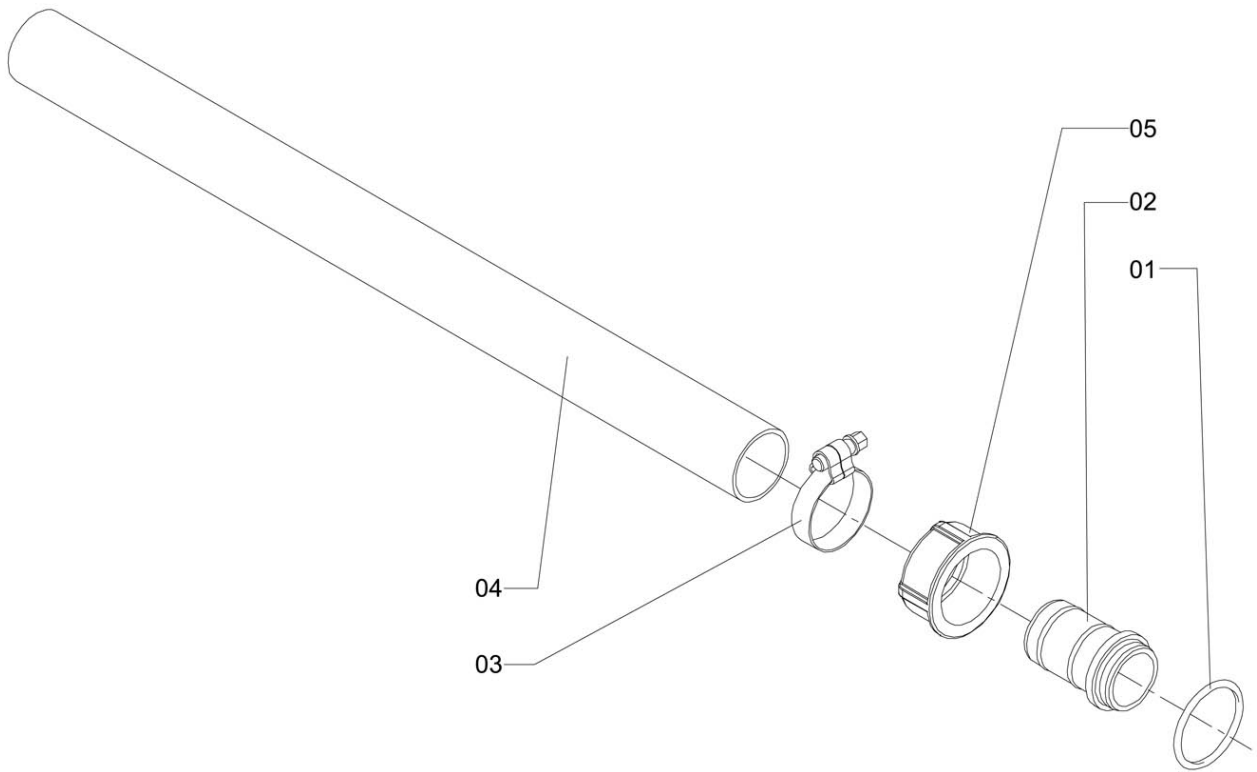
## APPLICATION ASSEMBLY

Continuation

| Item | CODE    | DESCRIPTION                                 | Qty. | Item | CODE | DESCRIPTION | Qty. |
|------|---------|---|------|------|------|-------------|------|
| 00   | 445874  | Application assembly                        | 1    |      |      |             |      |
| 01   | 912717  | Bolt 3/8" x 16 UNC x 1.3/4"                 | 2    |      |      |             |      |
| 02   | 620682  | Bushing 15.9 x 28                           | 2    |      |      |             |      |
| 03   | 326710  | Hose tie                                    | 2    |      |      |             |      |
| 04   | 908566  | Lock washer 3/8"                            | 2    |      |      |             |      |
| 05   | 829515  | Hex. bolt M10 x 1.5 x 25 CL8.8              | 4    |      |      |             |      |
| 06   | 209205  | Hex. nut M10 x 1,50                         | 4    |      |      |             |      |
| 07   | 209395  | Lock washer M10                             | 4    |      |      |             |      |
| 08   | 623884  | Flat washer 10.5 x 21 x 2 - stainless steel | 4    |      |      |             |      |
| 09   | 1188730 | Fan box assembly                            | 1    |      |      |             |      |

Controlled copy – Distribution and reproduction prohibited

**HOSE - PUMP/CONTROL**



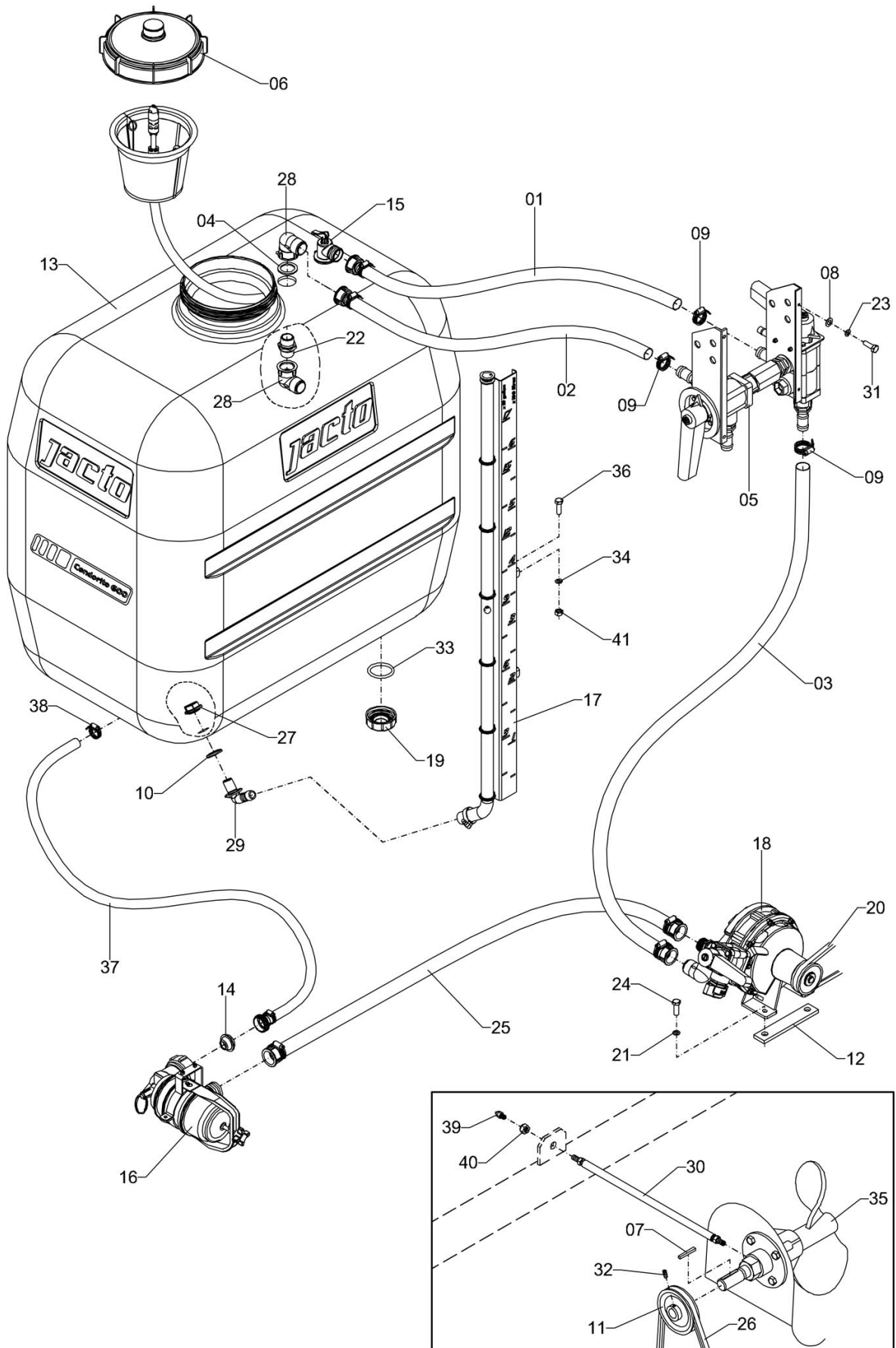
**MD-061**

## HOSE - PUMP/CONTROL

Continuation

| Item | CODE   | DESCRIPTION                          | Qty. | Item | CODE | DESCRIPTION | Qty. |
|------|--------|--------------------------------------|------|------|------|-------------|------|
| 00   | 168385 | Hose - Pump/Control                  | 1    |      |      |             |      |
| 01   | 402412 | Lock washer 31 x 22.5 x 22.5/3.0     | 1    |      |      |             |      |
| 02   | 404434 | Hose fitting                         | 1    |      |      |             |      |
| 03   | 423814 | Clamp D22-32 - stainless steel       | 1    |      |      |             |      |
| 04   | 839563 | Hose 25.4 (1") x 2000 - km 25 - blue | 1    |      |      |             |      |
| 05   | 511733 | Round nut 1" BSP (40-45)             | 1    |      |      |             |      |

# CHEMICAL CIRCUIT



CD-1089



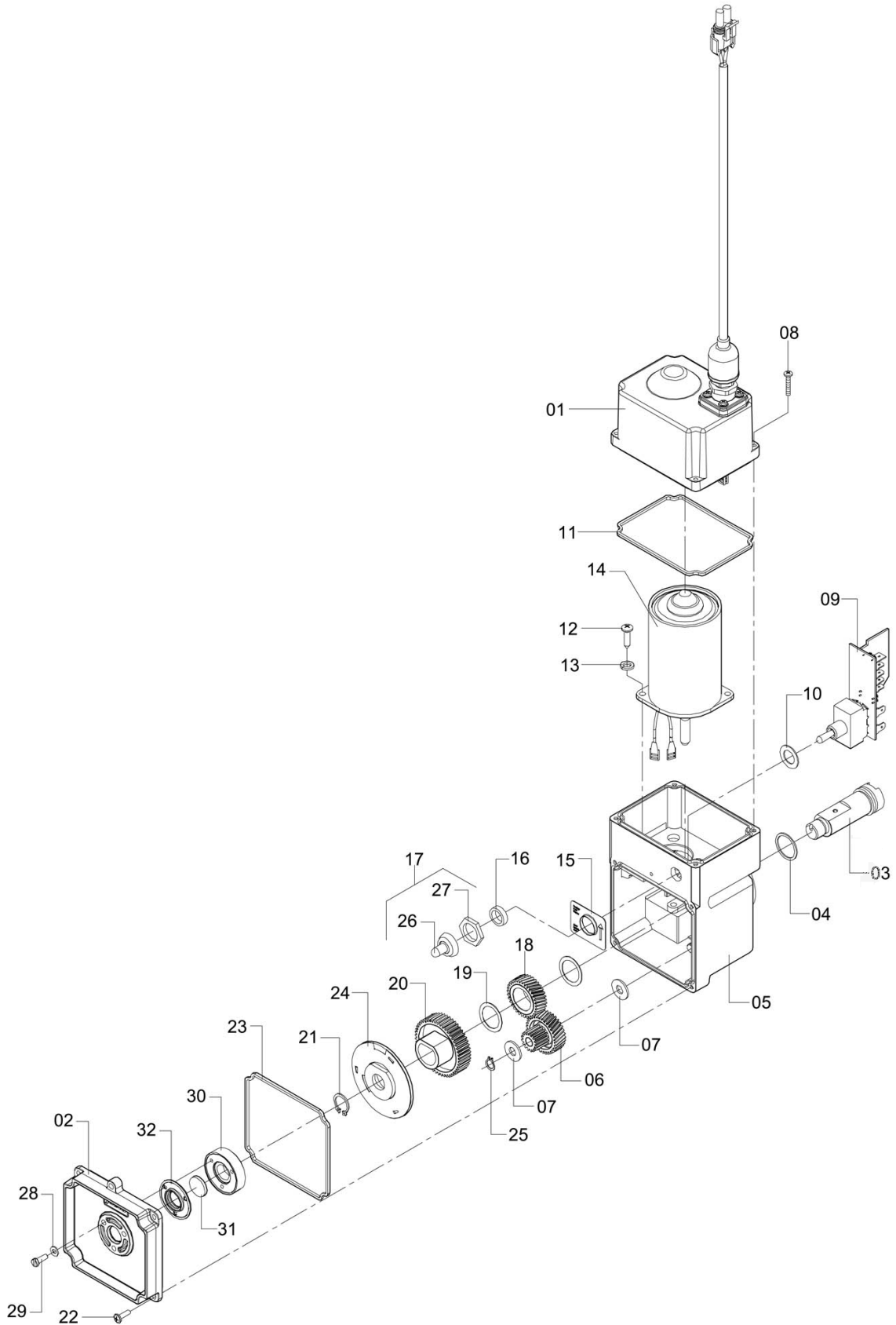
## CHEMICAL CIRCUIT

Continuation

| Item | CODE   | DESCRIPTION                                  | Qty. | Item | CODE | DESCRIPTION | Qty. |
|------|--------|--|------|------|------|-------------|------|
| 00   | 333773 | Chemical circuit                             | 1    |      |      |             |      |
| 01   | 168369 | Hose - Control/Tank                          | 1    |      |      |             |      |
| 02   | 168377 | Return hose - 1" x 1300mm                    | 1    |      |      |             |      |
| 03   | 168385 | Hose - Pump/Control                          | 1    |      |      |             |      |
| 04   | 212472 | Packing 45 x 33.5                            | 1    |      |      |             |      |
| 05   | 333690 | Flow rate regulating valve                   | 1    |      |      |             |      |
| 06   | 037374 | Lid with breather                            | 1    |      |      |             |      |
| 07   | 405597 | Square key 4,75 (3/16") x 28                 | 1    |      |      |             |      |
| 08   | 413468 | Flat washer 6.8 x 18 x 1.2 - stainless steel | 4    |      |      |             |      |
| 09   | 423814 | Clamp D22-32 - stainless steel               | 3    |      |      |             |      |
| 10   | 973024 | Seal 36 x 21 x 6                             | 1    |      |      |             |      |
| 11   | 517763 | Pulley 119-1A                                | 1    |      |      |             |      |
| 12   | 520221 | Bolt guide                                   | 1    |      |      |             |      |
| 13   | 137174 | 600-liter tank                               | 1    |      |      |             |      |
| 14   | 005934 | Valve seat                                   | 1    |      |      |             |      |
| 15   | 060434 | Chemical container rinse nozzle no.4         | 1    |      |      |             |      |
| 16   | 613596 | 100-liter suction Filter with Valve          | 1    |      |      |             |      |
| 17   | 716670 | Level indicator 5                            | 1    |      |      |             |      |
| 18   | 164871 | Centrifugal pump with 3-way valve            | 1    |      |      |             |      |
| 19   | 900761 | Drain cap 67                                 | 1    |      |      |             |      |
| 20   | 907592 | Trapezoid belt A-45                          | 1    |      |      |             |      |
| 21   | 908566 | Lock washer 3/8"                             | 2    |      |      |             |      |
| 22   | 910000 | Nipple 1" BSP                                | 1    |      |      |             |      |
| 23   | 910117 | Lock washer 1/4"                             | 2    |      |      |             |      |
| 24   | 912709 | Bolt 3/8" - 16 UNC x 1"                      | 2    |      |      |             |      |
| 25   | 168351 | Hose - Filter / Pump                         | 1    |      |      |             |      |
| 26   | 913624 | Trapeze belt A 38                            | 1    |      |      |             |      |
| 27   | 428748 | Flanged nut 1/2" BSP -14 F.P.P.              | 1    |      |      |             |      |
| 28   | 902817 | Male/female elbow 1" BSP x 90°               | 2    |      |      |             |      |
| 29   | 428730 | Elbow 3/4" x 1/2" BSP -14 F.P.P.             | 1    |      |      |             |      |
| 30   | 050385 | Hose assembly (Agitator 1/4" x 340)          | 1    |      |      |             |      |
| 31   | 009977 | Bolt 1/4" - 20 UNC                           | 2    |      |      |             |      |
| 32   | 997205 | Bolt M6 x 10 x 0.8                           | 1    |      |      |             |      |
| 33   | 096032 | Packing ring 60,8 x 50,2                     | 1    |      |      |             |      |
| 34   | 521666 | Lock washer 5 - stainless steel              | 2    |      |      |             |      |
| 35   | 517573 | Mechanical agitator no. 3                    | 1    |      |      |             |      |
| 36   | 829507 | Hex. head bolt M6 x 1 x 16 CL8.8             | 2    |      |      |             |      |
| 37   | 168393 | Hose - Filter/Tank                           | 1    |      |      |             |      |
| 38   | 330969 | Clamp D25-38 - stainless steel               | 1    |      |      |             |      |
| 39   | 910463 | Grease nipple 1/4" - 28 UNF                  | 1    |      |      |             |      |
| 40   | 912741 | Nut 1/4" - 20 UNC                            | 2    |      |      |             |      |
| 41   | 810689 | Hex. nut M6 x 1 CL8                          | 2    |      |      |             |      |

Controlled copy – Distribution and reproduction prohibited

# QUICK RELIEF REDUCTION BOX AND BRANCHES



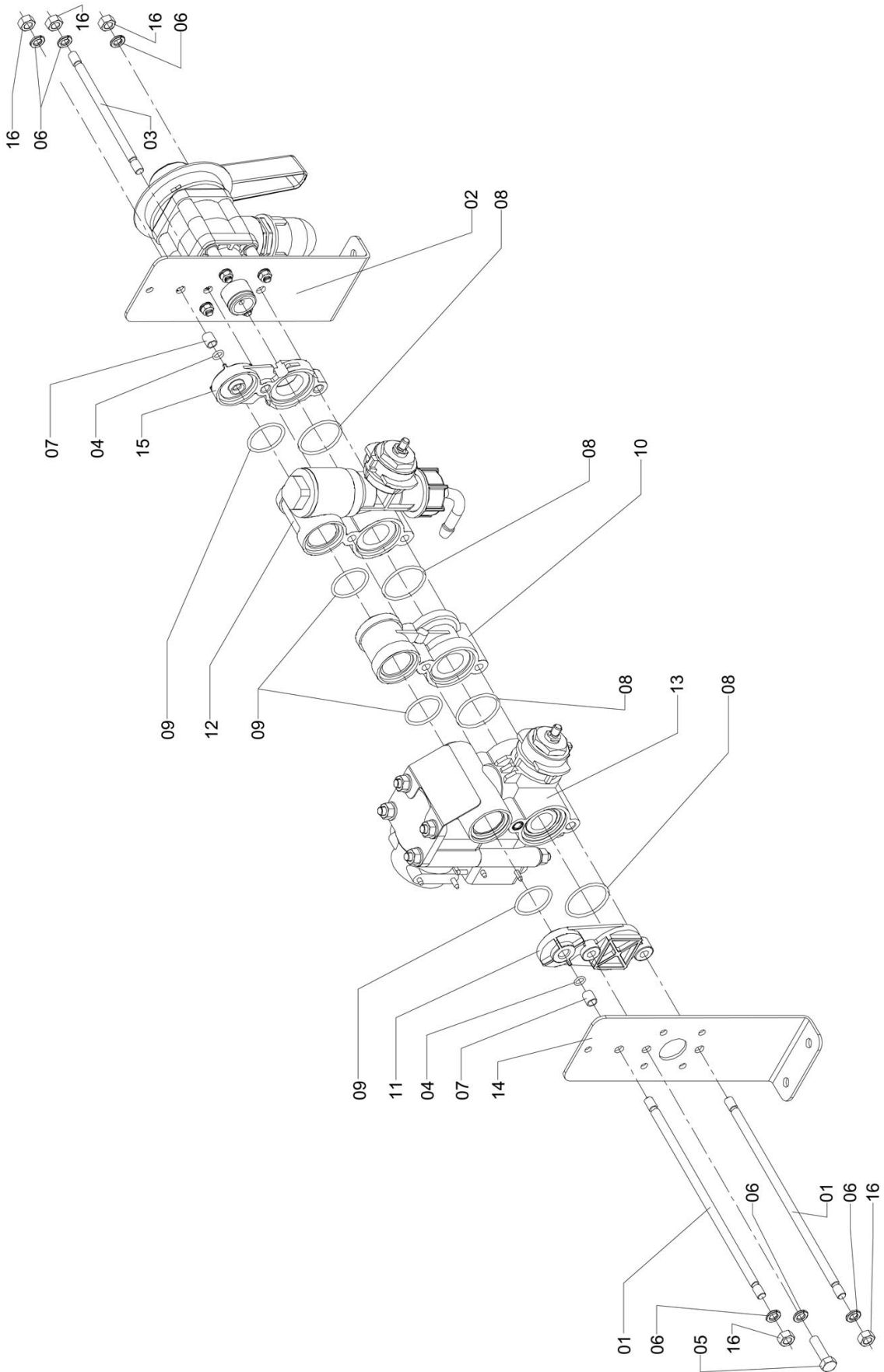
CV-581

**QUICK RELIEF REDUCTION BOX AND BRANCHES**

Continuation

| Item | CODE    | DESCRIPTION                                 | Qty. | Item | CODE | DESCRIPTION | Qty. |
|------|---------|---|------|------|------|-------------|------|
| 00   | 582254  | Quick relief reduction box and branches     | 1    |      |      |             |      |
| 01   | 795294  | Cover assembly - quick relief motor         | 1    |      |      |             |      |
| 02   | 189803  | Gear case cover assembly                    | 1    |      |      |             |      |
| 03   | 867069  | Gear case shaft                             | 1    |      |      |             |      |
| 04   | 164343  | Seat washer M24                             | 1    |      |      |             |      |
| 05   | 172973  | Gear case with bushing                      | 1    |      |      |             |      |
| 06   | 983957  | Conjugate gear                              | 1    |      |      |             |      |
| 07   | 093369  | Flat washer 84 x 127 x 12.4                 | 2    |      |      |             |      |
| 08   | 878769  | Screw 3.5 x 20                              | 4    |      |      |             |      |
| 09   | 893347  | Boom section plate assembly                 | 1    |      |      |             |      |
| 10   | 109462  | Flat washer 120 x 205 x 9                   | 1    |      |      |             |      |
| 11   | 063032  | Engine cover ring                           | 1    |      |      |             |      |
| 12   | 304774  | Self-tapping screw 4,8 x 19                 | 2    |      |      |             |      |
| 13   | 520676  | Lock washer 5                               | 2    |      |      |             |      |
| 14   | 1200809 | Electric motor                              | 1    |      |      |             |      |
| 15   | 061176  | Plate                                       | 1    |      |      |             |      |
| 16   | 796953  | Packing ring                                | 1    |      |      |             |      |
| 17   | 508408  | Fastener nut                                | 1    |      |      |             |      |
| 18   | 472340  | Right helicoidal gear                       | 1    |      |      |             |      |
| 19   | 965087  | Flat washer 205 x 270 x 5                   | 1    |      |      |             |      |
| 20   | 983965  | Gear  | 1    |      |      |             |      |
| 21   | 997239  | Snap ring for shaft 14                      | 1    |      |      |             |      |
| 22   | 709642  | Bolt PH 4 x 14                              | 5    |      |      |             |      |
| 23   | 062265  | Box ring                                    | 1    |      |      |             |      |
| 24   | 175737  | Contact disc                                | 1    |      |      |             |      |
| 25   | 049833  | Snap ring                                   | 1    |      |      |             |      |
| 26   | 505800  | Wrench cap                                  | 1    |      |      |             |      |
| 27   | 876482  | Wrench fastening nut                        | 1    |      |      |             |      |
| 28   | 050187  | Flat washer 4.3 x 9 x 0.8 - stainless steel | 3    |      |      |             |      |
| 29   | 727669  | Bolt M4 x 12                                | 3    |      |      |             |      |
| 30   | 189845  | Sliding bearing                             | 1    |      |      |             |      |
| 31   | 189795  | Gearbox sight                               | 1    |      |      |             |      |
| 32   | 189126  | Sight seal                                  | 1    |      |      |             |      |

**ELECTRICAL CONTROL - MASTERFLOW**



**CV-645**

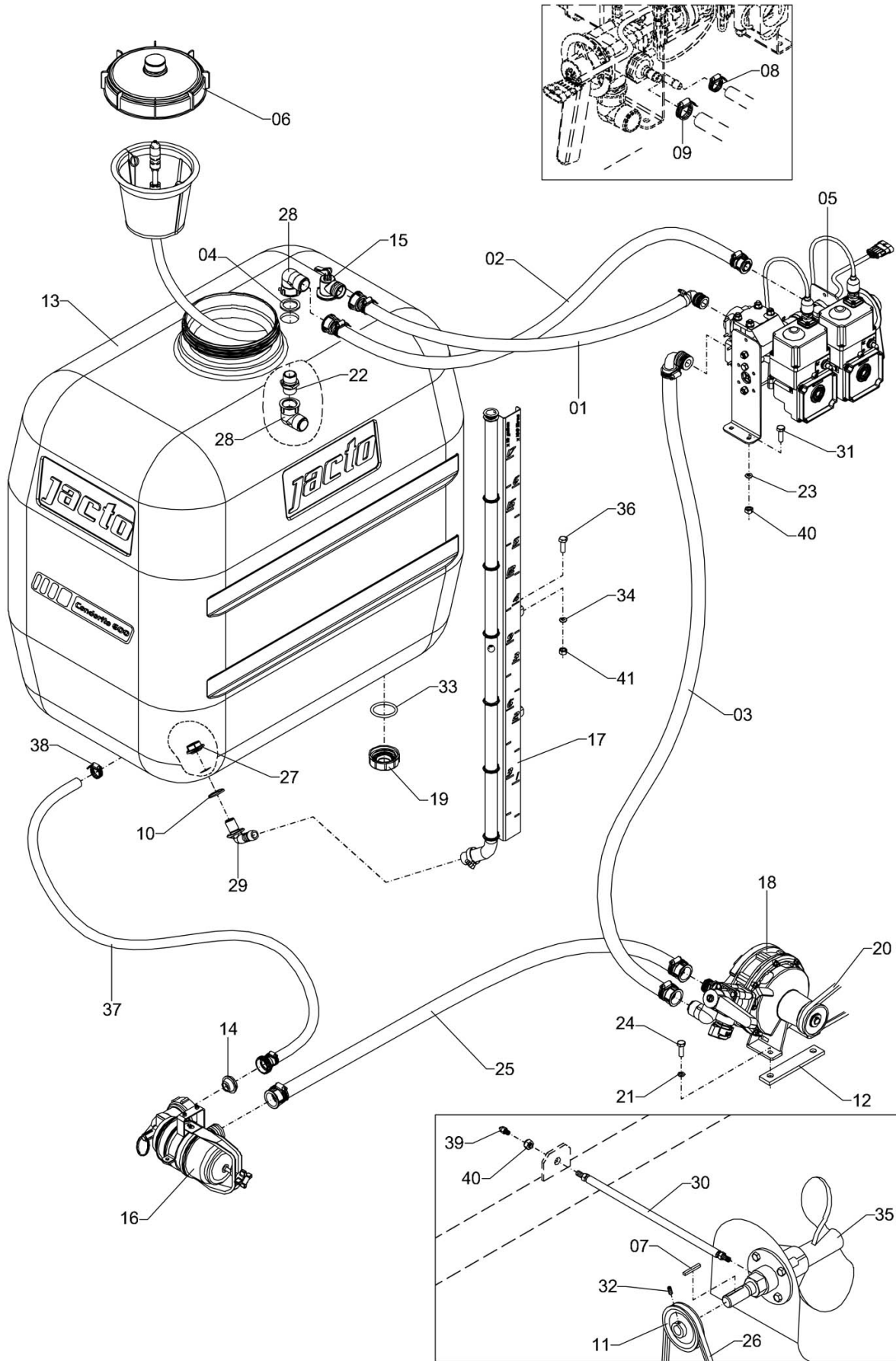
## ELECTRICAL CONTROL - MASTERFLOW

Continuation

| Item | CODE   | DESCRIPTION                      | Qty. | Item | CODE | DESCRIPTION | Qty. |
|------|--------|----------------------------------|------|------|------|-------------|------|
| 00   | 321133 | Electrical control - Masterflow  | 1    |      |      |             |      |
| 01   | 139295 | Stud bolt M 8 x 250 x 1,25       | 2    |      |      |             |      |
| 02   | 140160 | Electric Control Valve           | 1    |      |      |             |      |
| 03   | 166884 | Stud bolt M8 x 149 x 1,25 - inox | 1    |      |      |             |      |
| 04   | 322040 | O-ring ORI-011                   | 2    |      |      |             |      |
| 05   | 448233 | Bolt M8 x 30 x 1,25              | 1    |      |      |             |      |
| 06   | 519736 | Lock washer                      | 6    |      |      |             |      |
| 07   | 055764 | Bushing                          | 2    |      |      |             |      |
| 08   | 648170 | O-ring OR1-128                   | 4    |      |      |             |      |
| 09   | 731521 | O-ring OR1 - 124                 | 4    |      |      |             |      |
| 10   | 860114 | Spacer                           | 1    |      |      |             |      |
| 11   | 866012 | Left cover                       | 1    |      |      |             |      |
| 12   | 139311 | Control Branch - Assembly        | 1    |      |      |             |      |
| 13   | 139337 | Quick relief                     | 1    |      |      |             |      |
| 14   | 139360 | Support                          | 1    |      |      |             |      |
| 15   | 139923 | Right cover                      | 1    |      |      |             |      |
| 16   | 221648 | Nut M8 x 1.25 - stainless steel  | 5    |      |      |             |      |

Controlled copy – Distribution and reproduction prohibited

**CHEMICAL CIRCUIT - ELECTRIC**



**CD-1088**

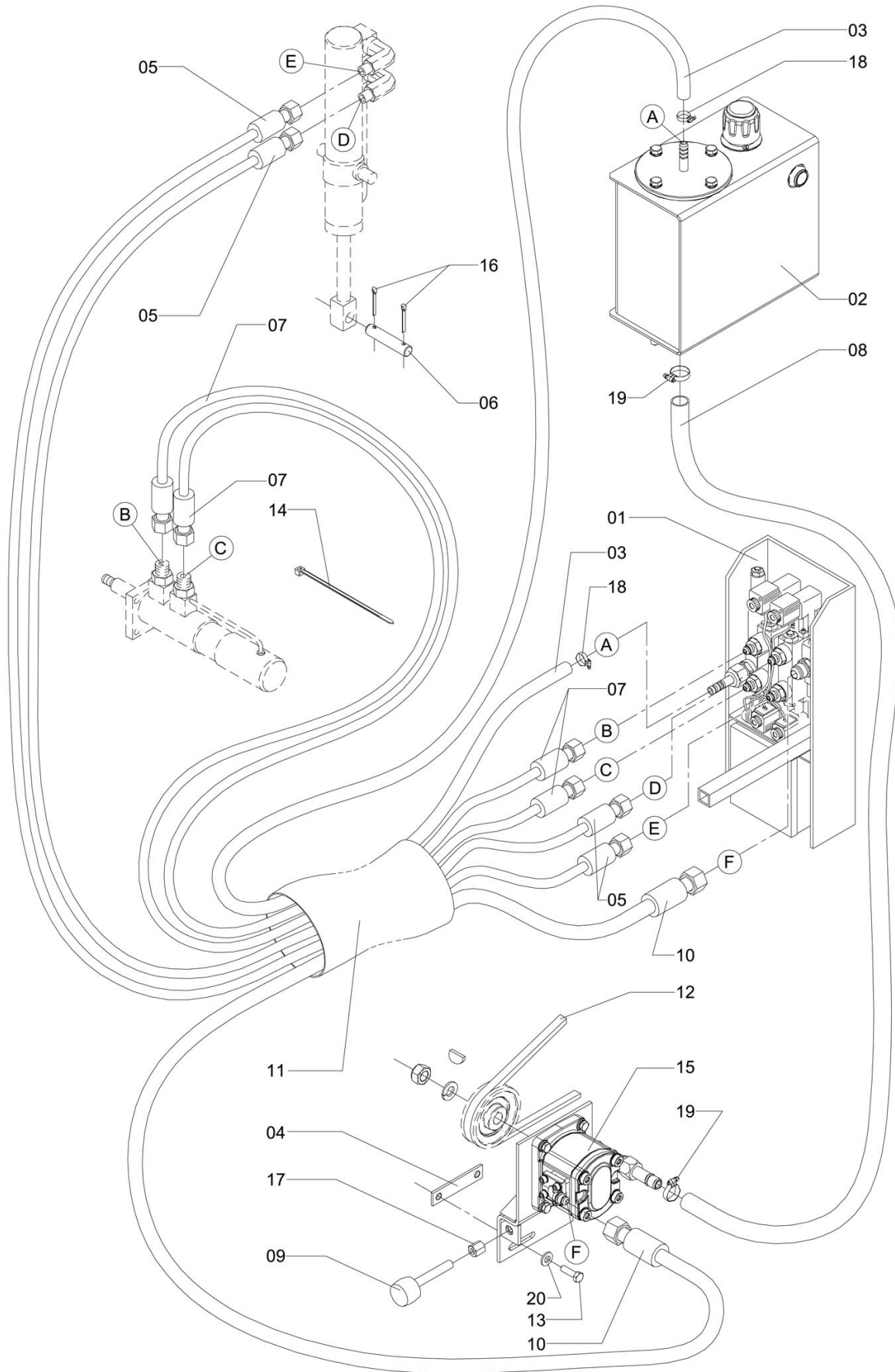
## CHEMICAL CIRCUIT - ELECTRIC

Continuation

| Item | CODE   | DESCRIPTION                                | Qty. | Item | CODE | DESCRIPTION | Qty. |
|------|--------|--|------|------|------|-------------|------|
| 00   | 276642 | Chemical circuit - electric                | 1    |      |      |             |      |
| 01   | 012617 | Hose - Control/Tank                        | 1    |      |      |             |      |
| 02   | 287144 | Return hose - 1" x 700                     | 1    |      |      |             |      |
| 03   | 012609 | Hose - Pump/Control                        | 1    |      |      |             |      |
| 04   | 212472 | Packing 45 x 33.5                          | 1    |      |      |             |      |
| 05   | 139378 | Electric control and complements           | 1    |      |      |             |      |
| 06   | 037374 | Lid with breather                          | 1    |      |      |             |      |
| 07   | 405597 | Square key 4.75 (3/16") x 28               | 1    |      |      |             |      |
| 08   | 063370 | Clamp D11-16 - stainless steel             | 2    |      |      |             |      |
| 09   | 107664 | Clamp D14-22 - stainless steel             | 1    |      |      |             |      |
| 10   | 973024 | Seal 36 x 21 x 6                           | 1    |      |      |             |      |
| 11   | 517763 | Pulley 119-1A                              | 1    |      |      |             |      |
| 12   | 520221 | Bolt guide                                 | 1    |      |      |             |      |
| 13   | 137174 | 600-liter tank                             | 1    |      |      |             |      |
| 14   | 005934 | Valve seat                                 | 1    |      |      |             |      |
| 15   | 060434 | Chemical container rinse nozzle no.4       | 1    |      |      |             |      |
| 16   | 613596 | 100-liter suction Filter with Valve        | 1    |      |      |             |      |
| 17   | 716670 | Level indicator 5                          | 1    |      |      |             |      |
| 18   | 164871 | Centrifugal pump with 3-way valve          | 1    |      |      |             |      |
| 19   | 900761 | Drain cap 67                               | 1    |      |      |             |      |
| 20   | 907592 | Trapezoid belt A-45                        | 1    |      |      |             |      |
| 21   | 908566 | Lock washer 3/8"                           | 2    |      |      |             |      |
| 22   | 910000 | Nipple 1" BSP                              | 1    |      |      |             |      |
| 23   | 519736 | Lock washer                                | 4    |      |      |             |      |
| 24   | 912709 | Bolt 3/8" - 16 UNC x 1"                    | 2    |      |      |             |      |
| 25   | 168351 | Hose - Filter / Pump                       | 1    |      |      |             |      |
| 26   | 913624 | Trapeze belt A 38                          | 1    |      |      |             |      |
| 27   | 428748 | Flanged nut 1/2" BSP -14 F.P.P.            | 1    |      |      |             |      |
| 28   | 902817 | Male/female elbow 1" BSP x 90°             | 2    |      |      |             |      |
| 29   | 428730 | Elbow 3/4" x 1/2" BSP -14 F.P.P.           | 1    |      |      |             |      |
| 30   | 050385 | Hose assembly (Agitator 1/4" x 340)        | 1    |      |      |             |      |
| 31   | 829374 | Hex. head bolt M8 x 20 x 1.25 -cl 8.8      | 4    |      |      |             |      |
| 32   | 997205 | Bolt M6 x 10 x 0.8                         | 1    |      |      |             |      |
| 33   | 096032 | Packing ring 60,8 x 50,2                   | 1    |      |      |             |      |
| 34   | 521666 | Lock washer 5 - stainless steel            | 2    |      |      |             |      |
| 35   | 517573 | Mechanical agitator no. 3                  | 1    |      |      |             |      |
| 36   | 829507 | Hex. head bolt M6 x 1 x 16 CL8.8           | 2    |      |      |             |      |
| 37   | 168393 | Hose - Filter/Tank                         | 1    |      |      |             |      |
| 38   | 330969 | Clamp D25-38 - stainless steel             | 1    |      |      |             |      |
| 39   | 910463 | Grease nipple 1/4" - 28 UNF                | 1    |      |      |             |      |
| 40   | 810770 | Hex. nut M8 x 1.25                         | 4    |      |      |             |      |
| 41   | 810689 | Hex. nut M6 x 1 CL8                        | 2    |      |      |             |      |
|      | 169128 | Sticker: "Chemical container rinse nozzle" | 1    |      |      |             |      |
|      | 323584 | Hose tie                                   | 1    |      |      |             |      |

Controlled copy – Distribution and reproduction prohibited

# DUCT ACTUATION CIRCUIT



**CH-636**

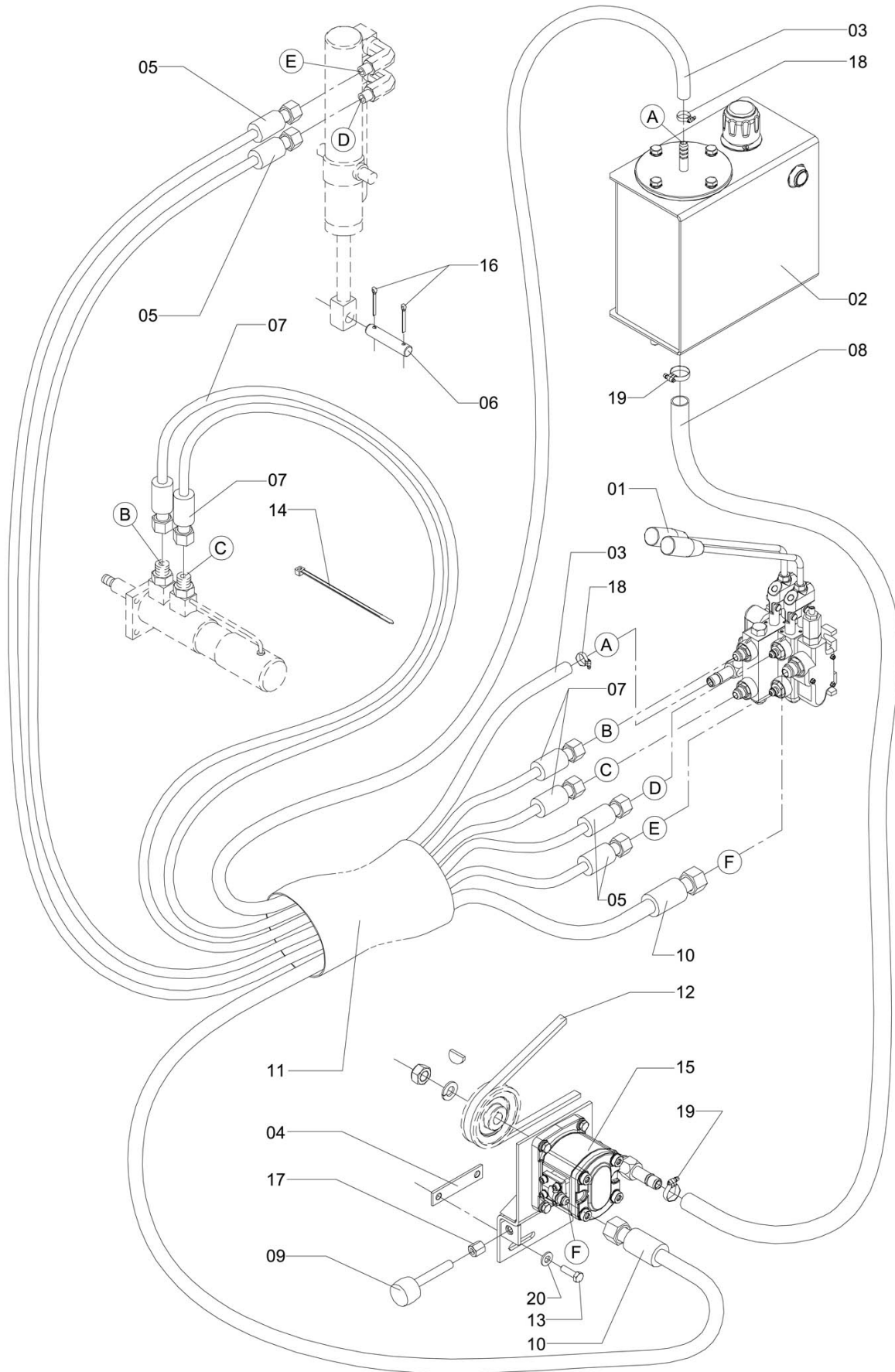


## DUCT ACTUATION CIRCUIT

Continuation

| Item | CODE   | DESCRIPTION  | Qty. | Item | CODE | DESCRIPTION | Qty. |
|------|--------|--|------|------|------|-------------|------|
| 00   | 278390 | Duct actuation circuit   | 1    |      |      |             |      |
| 01   | 045970 | Electrical hydraulic control with nipple                       | 1    |      |      |             |      |
| 02   | 518878 | Hydraulic oil reservoir (4 liters)                             | 1    |      |      |             |      |
| 03   | 519868 | Hose 3/8" x 450  | 1    |      |      |             |      |
| 04   | 519918 | Bolt guide   | 1    |      |      |             |      |
| 05   | 210674 | Hose MHMP 04 - 1/4 x 2660                                      | 2    |      |      |             |      |
| 06   | 520015 | Joint pin  | 1    |      |      |             |      |
| 07   | 520098 | Hose 1/4" x 1500   | 2    |      |      |             |      |
| 08   | 530758 | Hydraulic hose without coupling end - SAE J517 100R6 - 10 1000 | 1    |      |      |             |      |
| 09   | 542613 | Tightening screw 3/8" - 16 UNC x 100                           | 1    |      |      |             |      |
| 10   | 216853 | Hose 5/16" x 1759  | 1    |      |      |             |      |
| 11   | 851766 | Flexible hose - 4" x 1000                                      | 1    |      |      |             |      |
| 12   | 878801 | Trapeze belt A-27  | 1    |      |      |             |      |
| 13   | 912709 | Bolt 3/8" - 16 UNC x 1"  | 2    |      |      |             |      |
| 14   | 323584 | Hose tie   | 2    |      |      |             |      |
| 15   | 999789 | Duct actuation circuit   | 1    |      |      |             |      |
| 16   | 808451 | Cotter pin 2.38 x 19.05  | 2    |      |      |             |      |
| 17   | 327445 | Hex. nut 3/8" - 16 UNC   | 1    |      |      |             |      |
| 18   | 063370 | Clamp D11-16 - stainless steel                                 | 2    |      |      |             |      |
| 19   | 107664 | Clamp D14-22 - stainless steel                                 | 2    |      |      |             |      |
| 20   | 422436 | Flat washer 104 x 254 x 19                                     | 2    |      |      |             |      |

# DUCT ACTUATION CIRCUIT



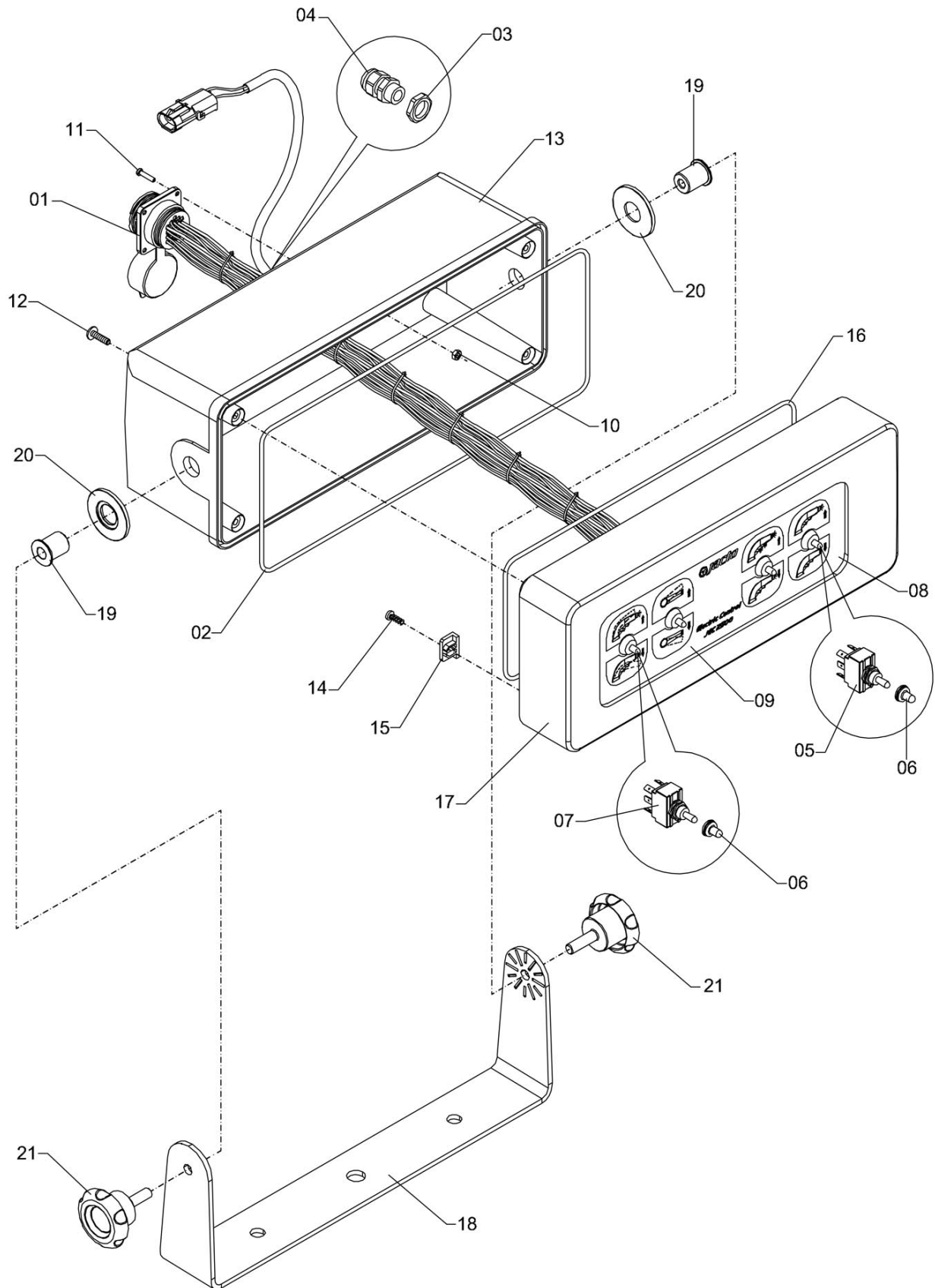
**CH-637**

## DUCT ACTUATION CIRCUIT

Continuation

| Item | CODE   | DESCRIPTION  | Qty. | Item | CODE | DESCRIPTION | Qty. |
|------|--------|--|------|------|------|-------------|------|
| 00   | 520056 | Duct actuation circuit   | 1    |      |      |             |      |
| 01   | 045954 | Directional contrl with nipple                                 | 1    |      |      |             |      |
| 02   | 518878 | Hydraulic oil reservoir (4 liters)                             | 1    |      |      |             |      |
| 03   | 519868 | Hose 3/8" x 450  | 1    |      |      |             |      |
| 04   | 519918 | Bolt guide   | 1    |      |      |             |      |
| 05   | 210674 | Hose MHMP 04 - 1/4 x 2660                                      | 2    |      |      |             |      |
| 06   | 520015 | Joint pin  | 1    |      |      |             |      |
| 07   | 520098 | Hose 1/4" x 1500   | 2    |      |      |             |      |
| 08   | 530758 | Hydraulic hose without coupling end - SAE J517 100R6 - 10 1000 | 1    |      |      |             |      |
| 09   | 542613 | Tightening screw 3/8" - 16 UNC x 100                           | 1    |      |      |             |      |
| 10   | 216853 | Hose 5/16" x 1759  | 1    |      |      |             |      |
| 11   | 520379 | Protective hose 4" x 1050                                      | 1    |      |      |             |      |
| 12   | 878801 | Trapeze belt A-27  | 1    |      |      |             |      |
| 13   | 912709 | Bolt 3/8" - 16 UNC x 1"  | 2    |      |      |             |      |
| 14   | 323584 | Hose tie   | 2    |      |      |             |      |
| 15   | 999789 | Duct actuation circuit   | 1    |      |      |             |      |
| 16   | 808451 | Cotter pin 2.38 x 19.05  | 2    |      |      |             |      |
| 17   | 327445 | Hex. nut 3/8" - 16 UNC   | 1    |      |      |             |      |
| 18   | 063370 | Clamp D11-16 - stainless steel                                 | 2    |      |      |             |      |
| 19   | 107664 | Clamp D14-22 - stainless steel                                 | 2    |      |      |             |      |
| 20   | 422436 | Flat washer 104 x 254 x 19                                     | 2    |      |      |             |      |

# JEC-2500 COMPUTER



CE-543

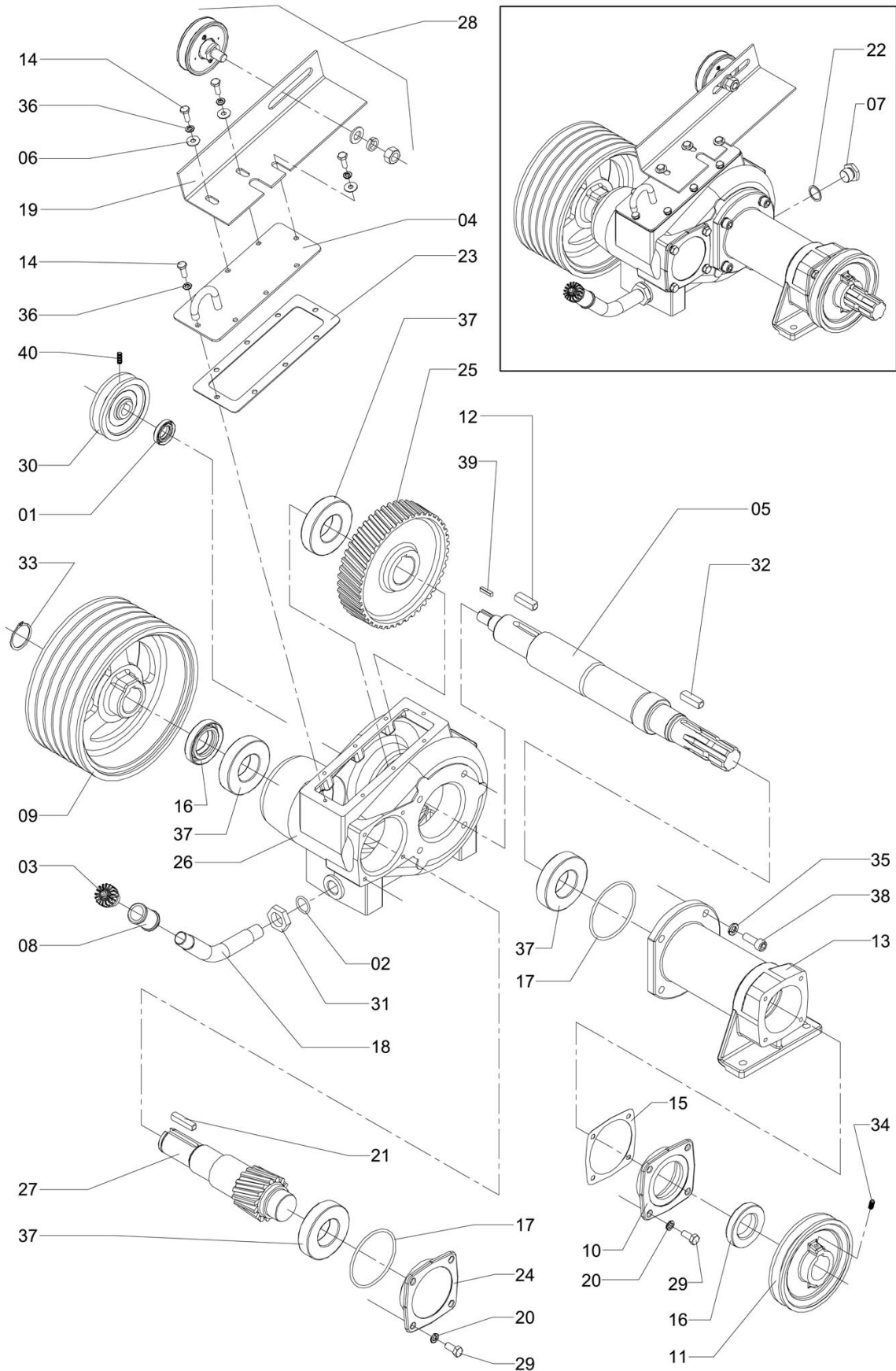
# JEC-2500 COMPUTER

Continuation

| Item | CODE      | DESCRIPTION                       | Qty. | Item | CODE | DESCRIPTION | Qty. |
|------|-----------|-----------------------------------|------|------|------|-------------|------|
| 00   | 278515    | JEC-2500 computer                 | 1    |      |      |             |      |
| 01   | 278523    | Main cable                        | 1    |      |      |             |      |
| 03   | 592147    | Plastic nut for cable press PG9   | 1    |      |      |             |      |
| 04   | 077008    | Cable press                       | 1    |      |      |             |      |
| 05   | 437178    | Double-throw switch with nut      | 2    |      |      |             |      |
| 06   | 437194    | Protective cap                    | 4    |      |      |             |      |
| 07   | 557835    | Double throw switch               | 2    |      |      |             |      |
| 08   | 278481    | Sticker base JEC-2500             | 1    |      |      |             |      |
| 09   | 276261    | Decal "Computer Panel - JEC-2500" | 1    |      |      |             |      |
| 10   | 209965    | Nut M3 x 0.5                      | 4    |      |      |             |      |
| 11   | 441907    | Screw M3 x 0.5 x 16               | 4    |      |      |             |      |
| 12   | 878769    | Screw 3.5 x 20                    | 4    |      |      |             |      |
| 13   | 972729    | Lower panel                       | 1    |      |      |             |      |
| 14   | 849331    | Screw PH 3.5 x 12                 | 12   |      |      |             |      |
| 15   | 878611    | Fastening claw                    | 12   |      |      |             |      |
| 16   | 910002896 | Silicone round tube 4,8 x 0,9     | 1    |      |      |             |      |
| 17   | 972711    | Upper panel                       | 1    |      |      |             |      |
| 18   | 091405    | Small U support                   | 1    |      |      |             |      |
| 19   | 972018    | Threaded rubber bushing           | 2    |      |      |             |      |
| 20   | 973388    | Rubber washer 31                  | 2    |      |      |             |      |
| 21   | 971994    | Thermoplastic knob                | 2    |      |      |             |      |

Controlled copy – Distribution and reproduction prohibited

# MULTIPLIER ASSEMBLY WITH PULLEYS



CM-12

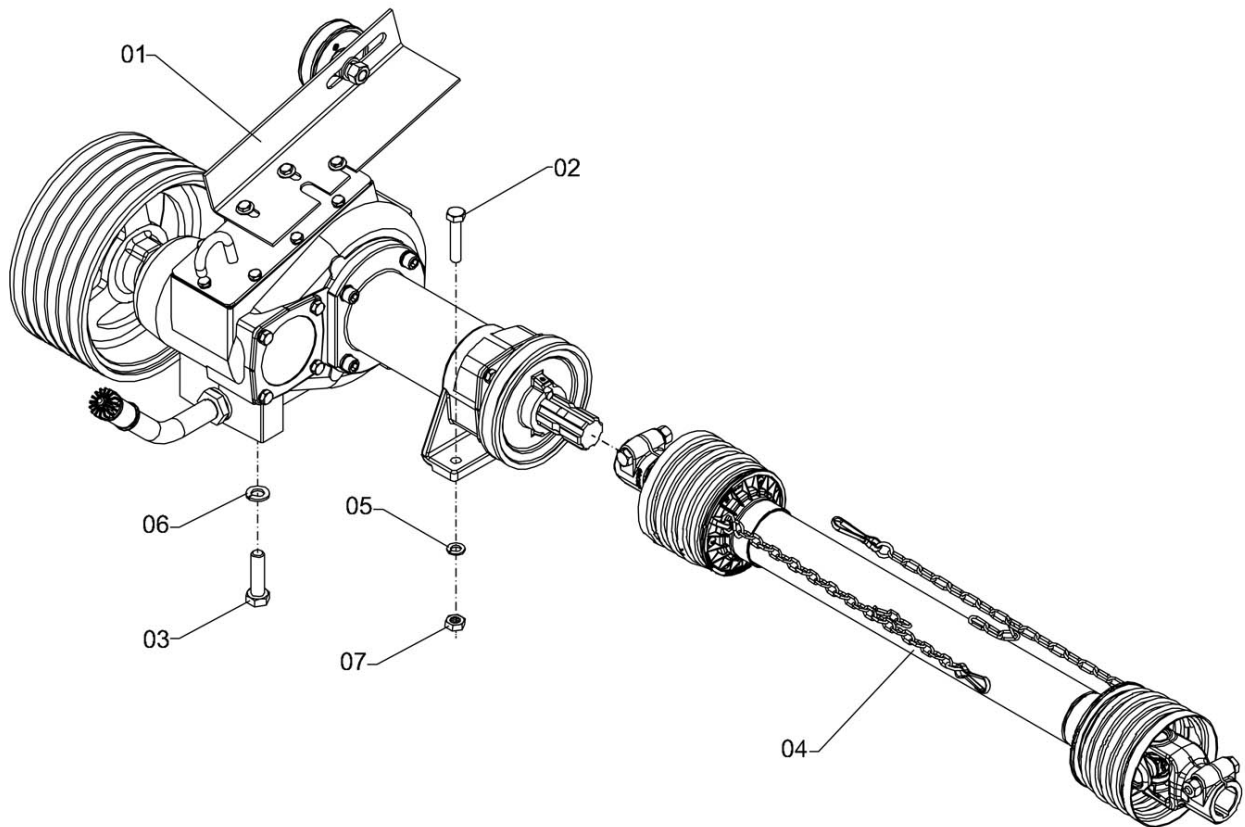
## MULTIPLIER ASSEMBLY WITH PULLEYS

Continuation

| Item | CODE   | DESCRIPTION  | Qty. | Item | CODE | DESCRIPTION | Qty. |
|------|--------|--|------|------|------|-------------|------|
| 00   | 164897 | Multiplier assembly with pulleys                   | 1    |      |      |             |      |
| 01   | 106922 | Retainer 22 x 35.2 x 7                             | 1    |      |      |             |      |
| 02   | 210146 | O-ring OR1-117                                     | 1    |      |      |             |      |
| 03   | 213736 | Plug 1/2" BSP                                      | 1    |      |      |             |      |
| 04   | 213801 | Cover  | 1    |      |      |             |      |
| 05   | 349050 | Shaft 474  | 1    |      |      |             |      |
| 06   | 413468 | Flat washer 6.8 x 18 x 1.2 - stainless steel       | 3    |      |      |             |      |
| 07   | 430116 | Magnetic plug 1/2" - 14 BSP                        | 1    |      |      |             |      |
| 08   | 430553 | Sleeve 1/2" BSP                                    | 1    |      |      |             |      |
| 09   | 430579 | Pulley 225 - 6A                                    | 1    |      |      |             |      |
| 10   | 430587 | Cover  | 1    |      |      |             |      |
| 11   | 430603 | Pulley 135 - 1-A                                   | 1    |      |      |             |      |
| 12   | 108936 | Square key 9,53 (3/8") x 35                        | 1    |      |      |             |      |
| 13   | 430629 | Pillow block                                       | 1    |      |      |             |      |
| 14   | 441030 | Bolt 1/4" - 20 UNC x 5/8"                          | 8    |      |      |             |      |
| 15   | 516518 | Packing  | 1    |      |      |             |      |
| 16   | 516567 | Retainer 40 x 62 x 7                               | 2    |      |      |             |      |
| 17   | 516575 | O-ring ORI-235                                     | 2    |      |      |             |      |
| 18   | 516849 | Filling tube                                       | 1    |      |      |             |      |
| 19   | 516930 | Tightening pulley support                          | 1    |      |      |             |      |
| 20   | 519736 | Lock washer  | 8    |      |      |             |      |
| 21   | 519793 | Square key - 9.53 (3/8") x 45                      | 1    |      |      |             |      |
| 22   | 625715 | Flat washer 27 x 22 x 1.5                          | 1    |      |      |             |      |
| 23   | 114439 | Packing  | 1    |      |      |             |      |
| 24   | 627737 | Cover  | 1    |      |      |             |      |
| 25   | 627794 | Drive gear   | 1    |      |      |             |      |
| 26   | 627828 | Gearbox body                                       | 1    |      |      |             |      |
| 27   | 628552 | Driven shaft                                       | 1    |      |      |             |      |
| 28   | 645416 | Tightening pulley assembly 78-1A (Shaft 15 x 50,5) | 1    |      |      |             |      |
| 29   | 663153 | Hex. bolt 5/16" - 18 UNC x 3/4"                    | 8    |      |      |             |      |
| 30   | 704874 | Pulley 90-1A                                       | 1    |      |      |             |      |
| 31   | 715722 | Lock nut 1/2" - 14 BSP                             | 1    |      |      |             |      |
| 32   | 814210 | Square key 3/8" x 25                               | 1    |      |      |             |      |
| 33   | 203067 | Snap ring for shaft 35                             | 1    |      |      |             |      |
| 34   | 901363 | Allen bolt 1/4" - 20 UNC x 1/2"                    | 1    |      |      |             |      |
| 35   | 908566 | Lock washer 3/8"                                   | 4    |      |      |             |      |
| 36   | 910117 | Lock washer 1/4"                                   | 8    |      |      |             |      |
| 37   | 203737 | Fixed bearing                                      | 4    |      |      |             |      |
| 38   | 325688 | Allen screw 3/8" UNC x 1"                          | 4    |      |      |             |      |
| 39   | 520213 | Square key   | 1    |      |      |             |      |
| 40   | 517565 | Allen screw 1/4" - 20 UNC x 5/8"                   | 1    |      |      |             |      |

Controlled copy – Distribution and reproduction prohibited

DRIVE TRANSMISSION AND COMPLEMENTS



TMT-358



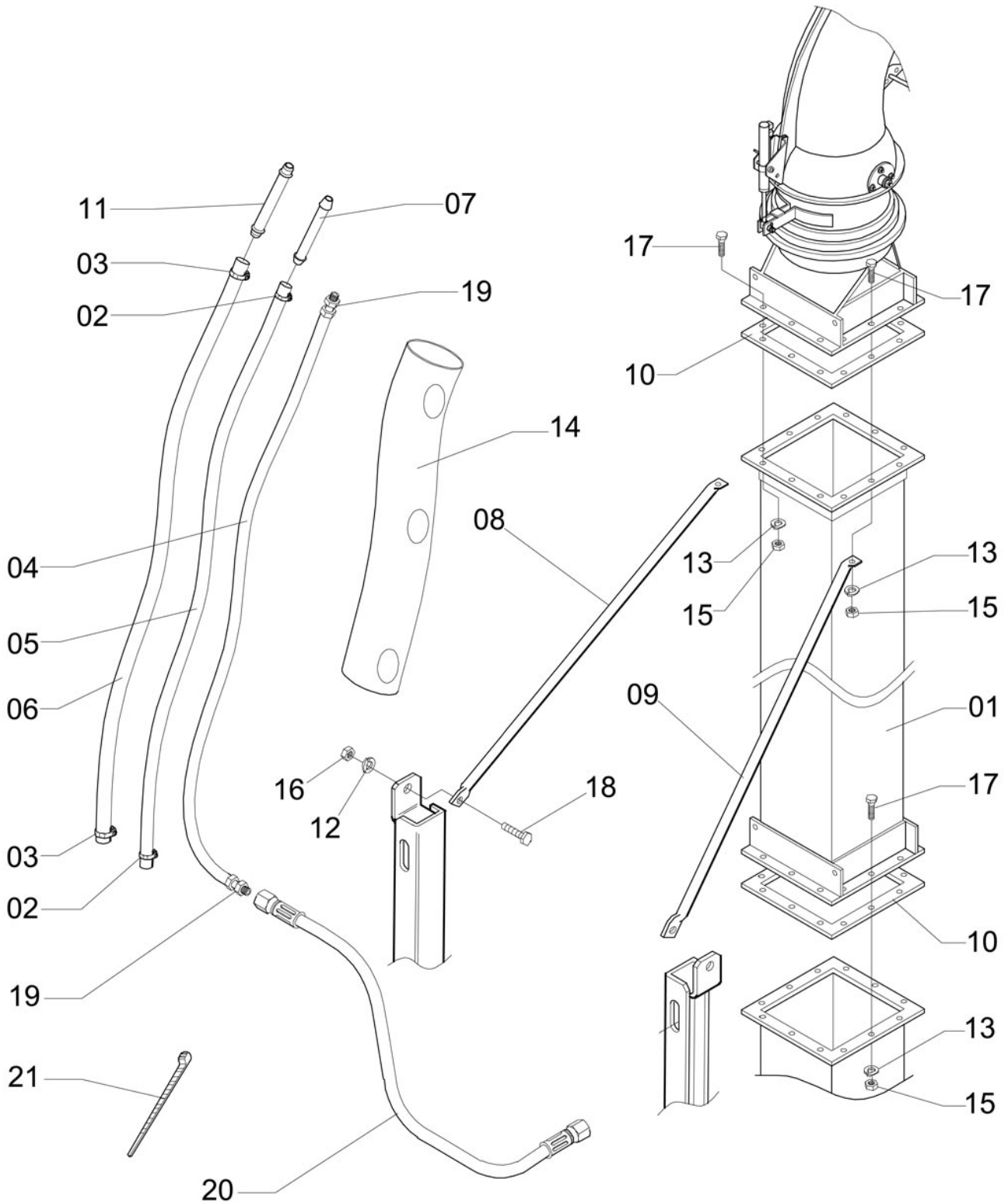
## DRIVE TRANSMISSION AND COMPLEMENTS

Continuation

| Item | CODE   | DESCRIPTION                        | Qty. | Item | CODE | DESCRIPTION | Qty. |
|------|--------|------------------------------------|------|------|------|-------------|------|
| 00   | 339267 | Drive transmission and complements | 1    |      |      |             |      |
| 01   | 164897 | Multiplier assembly with pulleys   | 1    |      |      |             |      |
| 02   | 518753 | Bolt 3/8" - 16 UNC x 1.1/4"        | 2    |      |      |             |      |
| 03   | 621086 | Bolt 1/2" - 13 UNC x 1"            | 2    |      |      |             |      |
| 05   | 908566 | Lock washer 3/8"                   | 2    |      |      |             |      |
| 06   | 908582 | Lock washer 1/2"                   | 2    |      |      |             |      |
| 07   | 518761 | Hex. nut 3/8"                      | 2    |      |      |             |      |

Controlled copy – Distribution and reproduction prohibited

2000 EXTENSION KIT FOR "JS-600"



KIT-191

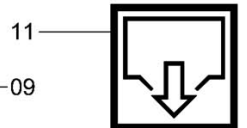
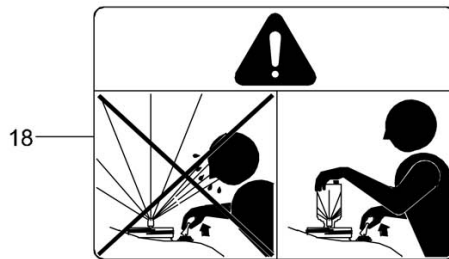
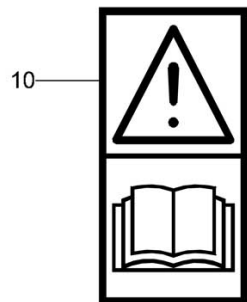
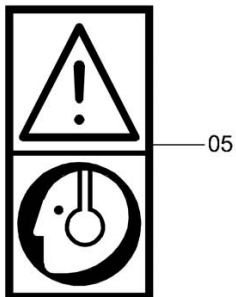
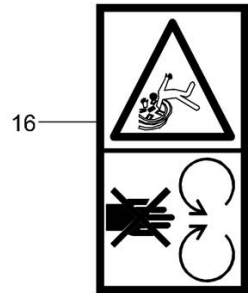
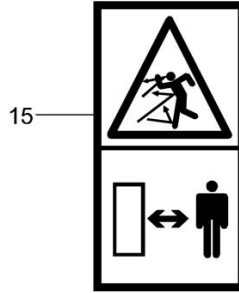
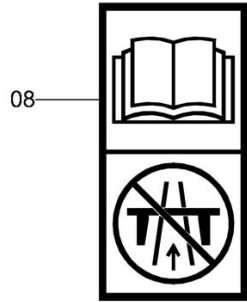
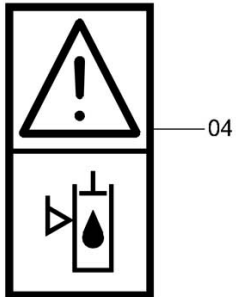
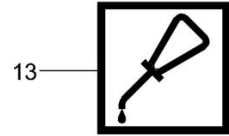
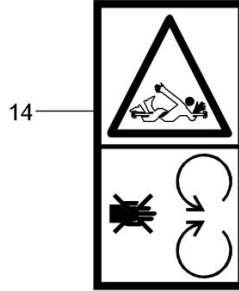
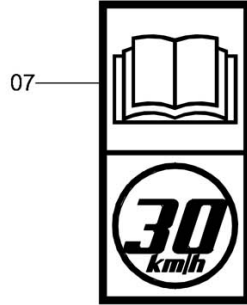
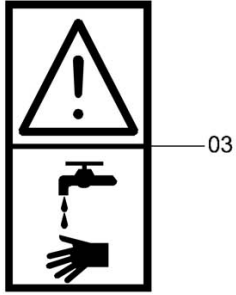
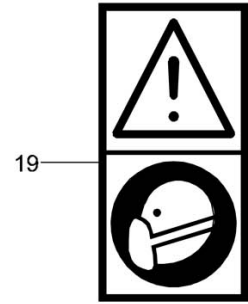
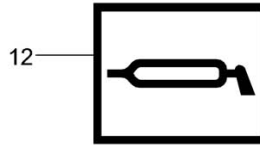
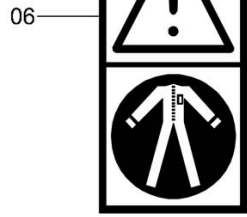
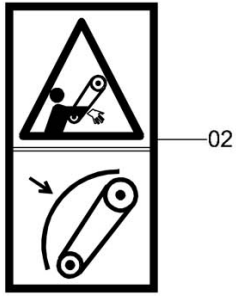
**2000 EXTENSION KIT FOR "JS-600"**

Continuation

| Item | CODE   | DESCRIPTION                                    | Qty. | Item | CODE | DESCRIPTION | Qty. |
|------|--------|--|------|------|------|-------------|------|
| 00   | 440727 | 2000 extension kit for "JS-600"                | 1    |      |      |             |      |
| 01   | 440552 | Extension 2000                                 | 1    |      |      |             |      |
| 02   | 063370 | Clamp D11-16 - stainless steel                 | 2    |      |      |             |      |
| 03   | 107664 | Clamp D14-22 - stainless steel                 | 2    |      |      |             |      |
| 04   | 440479 | Hose MHMP-04 - 6,35 (1/4") X 2000              | 2    |      |      |             |      |
| 05   | 440685 | Hose 9.60 (3/8") x 2000 - PT 80                | 1    |      |      |             |      |
| 06   | 440693 | Hose 12.7 (1/2") x 2000 - PT 80                | 1    |      |      |             |      |
| 07   | 440719 | Double hose fitting 9.53 (3/8")                | 1    |      |      |             |      |
| 08   | 441170 | Angle brace 2057 (right)                       | 1    |      |      |             |      |
| 09   | 441188 | Angle brace 2057 (left)                        | 1    |      |      |             |      |
| 10   | 519702 | Packing 32 x 325 x 3.20                        | 2    |      |      |             |      |
| 11   | 719567 | Double hose fitting 1/2"                       | 1    |      |      |             |      |
| 12   | 209395 | Lock washer M10                                | 4    |      |      |             |      |
| 13   | 519736 | Lock washer                                    | 12   |      |      |             |      |
| 14   | 324723 | Flexible hose - J PVC Cond. Agua 2.1/2" x 3500 | 1    |      |      |             |      |
| 15   | 907030 | Hex. nut M10 x 1.25                            | 4    |      |      |             |      |
| 16   | 810770 | Hex. nut M8 x 1.25                             | 12   |      |      |             |      |
| 17   | 829382 | Hex head bolt M8 x 25 x 1.25                   | 12   |      |      |             |      |
| 18   | 936146 | Bolt M10 x 1.25 x 35 CL 8.8                    | 4    |      |      |             |      |
| 19   | 440701 | Male union 1/2" UNF                            | 4    |      |      |             |      |
| 20   | 210674 | Hose MHMP 04 - 1/4 x 2660                      | 2    |      |      |             |      |
| 21   | 323584 | Hose tie                                       | 3    |      |      |             |      |

Controlled copy – Distribution and reproduction prohibited

STICKERS: (J600)



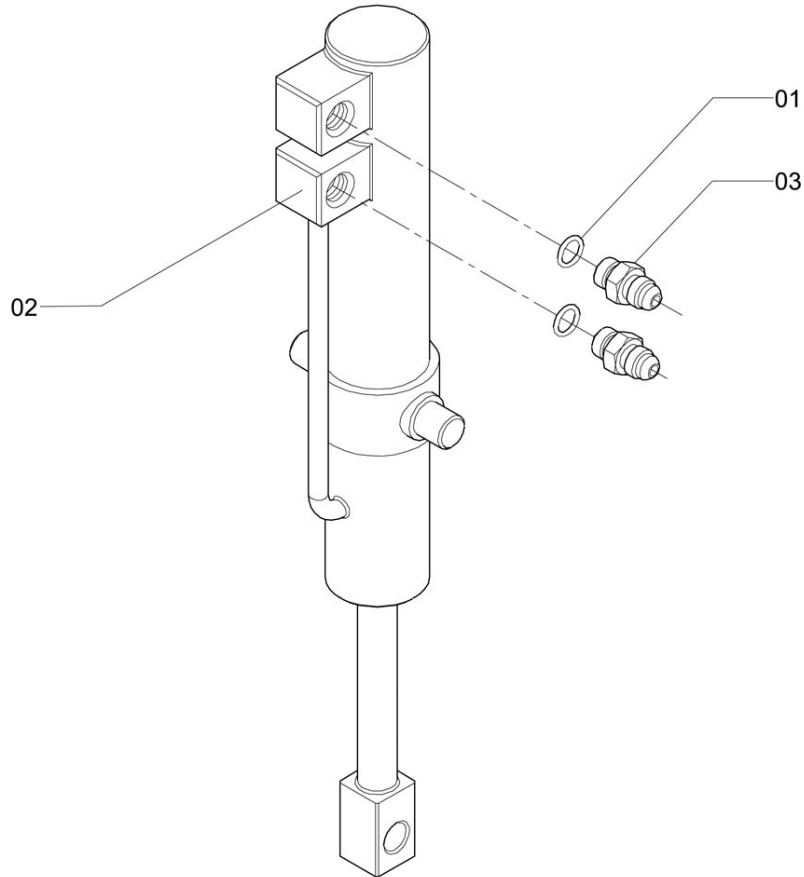
ADS-228

**STICKERS: (J600)**

Continuation

| Item | CODE    | DESCRIPTION  | Qty. | Item | CODE | DESCRIPTION | Qty. |
|------|---------|--|------|------|------|-------------|------|
| 00   | 058734  | Stickers: (J600)   | 1    |      |      |             |      |
| 01   | 1180095 | Sticker - Fan box "Band + Logo"                              | 1    |      |      |             |      |
| 02   | 379065  | Decal "Keep all protection devices in their places."         | 1    |      |      |             |      |
| 03   | 379073  | Sticker: "Tank - Water for Washing Hands"                    | 1    |      |      |             |      |
| 04   | 379107  | Sticker: "Hydraulic Oil Level"                               | 1    |      |      |             |      |
| 05   | 379123  | Decal "Obligatory use of the hearing protector."             | 1    |      |      |             |      |
| 06   | 379131  | Decal "Obligatory use of protective clothing."               | 1    |      |      |             |      |
| 07   | 379214  | Sticker: "Maximum Speed 30 KM/H"                             | 1    |      |      |             |      |
| 08   | 379222  | Decal "Attention: This machined is not allowed in highways." | 1    |      |      |             |      |
| 09   | 379230  | Sticker: "Read Manual" Horizontal                            | 2    |      |      |             |      |
| 10   | 379248  | Sticker: "Read Manual" Vertical                              | 1    |      |      |             |      |
| 11   | 389387  | Sticker: "Drain Indication"                                  | 2    |      |      |             |      |
| 12   | 276220  | Sticker: "Lubrication Point Indication"                      | 2    |      |      |             |      |
| 13   | 395061  | Sticker: "Lubrication Point Indication - Oil"                | 2    |      |      |             |      |
| 14   | 379008  | Decal "Danger - PTO Shaft"                                   | 1    |      |      |             |      |
| 15   | 379040  | Decal (Attention: Keep away)                                 | 1    |      |      |             |      |
| 16   | 379057  | Sticker: "Keep at a Distance - Fan"                          | 1    |      |      |             |      |
| 17   | 983932  | Identification plate   | 1    |      |      |             |      |
| 18   | 169128  | Sticker: "Chemical container rinse nozzle"                   | 1    |      |      |             |      |
| 19   | 379115  | Decal "Obligatory use of the protective mask."               | 1    |      |      |             |      |

## HYDRAULIC CYLINDER WITH NIPPLE - 160

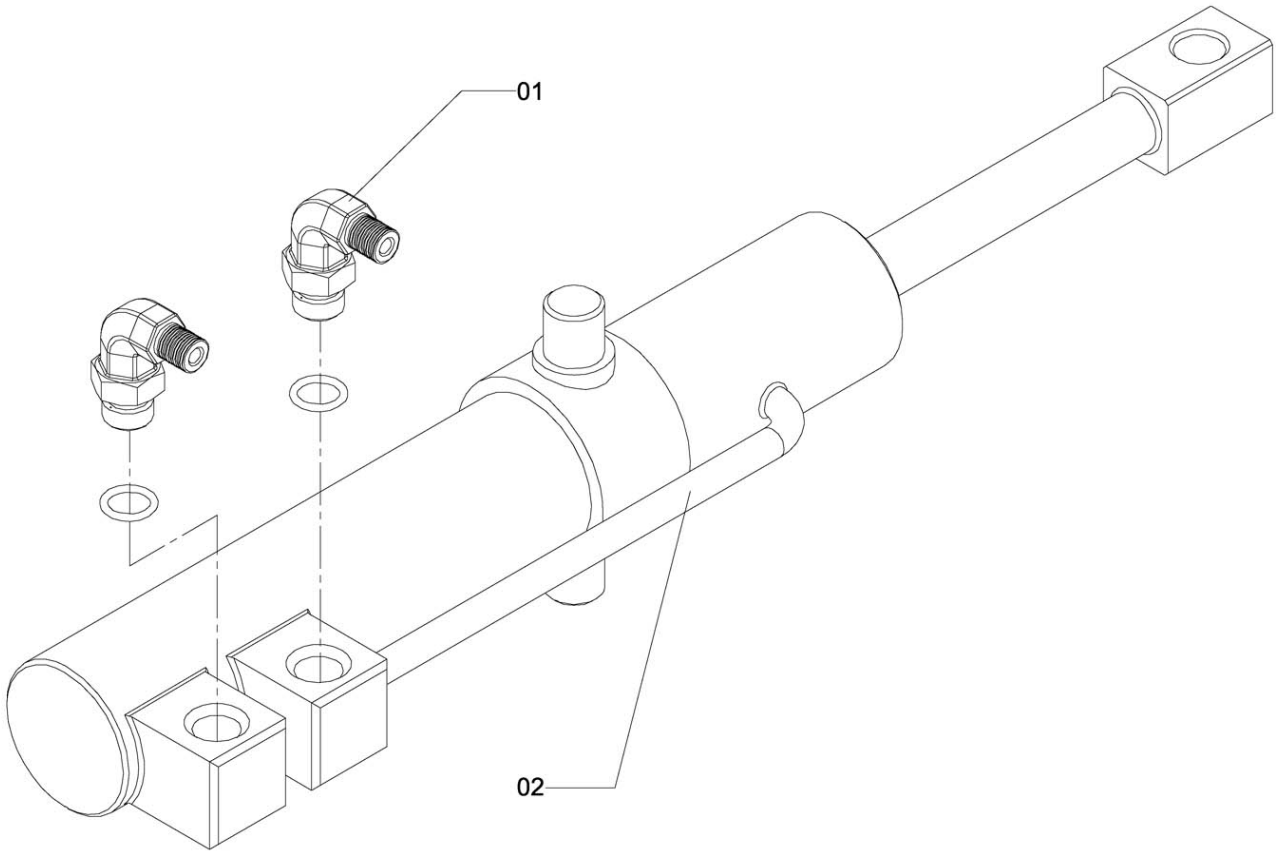


**CH-631**

| Item | CODE   | DESCRIPTION                          | Qty. | Item | CODE | DESCRIPTION | Qty. |
|------|--------|--------------------------------------|------|------|------|-------------|------|
| 00   | 045939 | Hydraulic cylinder with nipple - 160 | 1    |      |      |             |      |
| 01   | 426361 | Packing ring 10.52 x 1.83 OR2-5      | 2    |      |      |             |      |
| 02   | 519991 | Hydraulic cylinder 32 x stroke = 160 | 1    |      |      |             |      |
| 03   | 340083 | Dosage nipple 1,50 - 37              | 2    |      |      |             |      |
|      | 130690 | Repair kit for cylinder (Focker)     | 1    |      |      |             |      |

Controlled copy – Distribution and reproduction prohibited

# HYDRAULIC CYLINDER WITH NIPPLE - 160

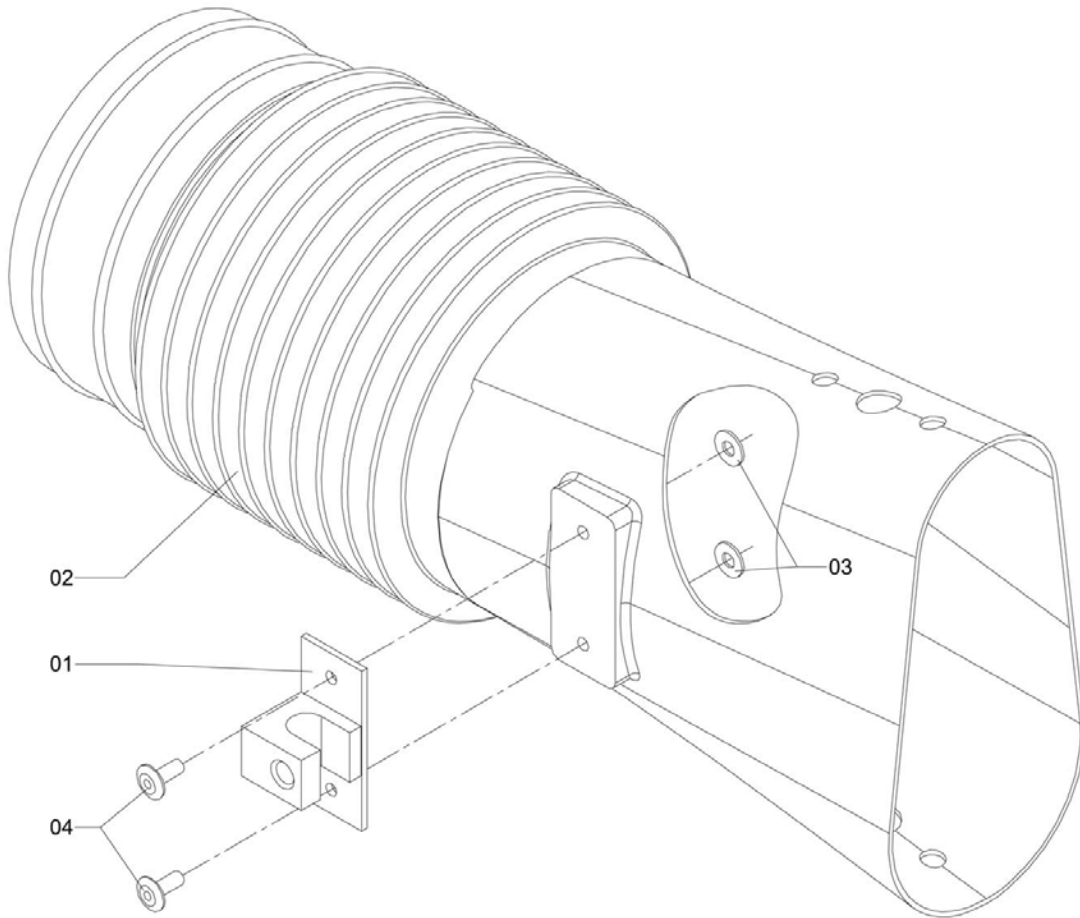


**CH-641**

| Item | CODE   | DESCRIPTION                          | Qty. | Item | CODE | DESCRIPTION | Qty. |
|------|--------|--------------------------------------|------|------|------|-------------|------|
| 00   | 045947 | Hydraulic cylinder with nipple - 160 | 1    |      |      |             |      |
| 01   | 520973 | Male elbow - 90°                     | 2    |      |      |             |      |
| 02   | 519991 | Hydraulic cylinder 32 x stroke = 160 | 1    |      |      |             |      |
|      | 130690 | Repair kit for cylinder (Focker)     | 1    |      |      |             |      |

Controlled copy – Distribution and reproduction prohibited

## LOWER OUTLET HOSE



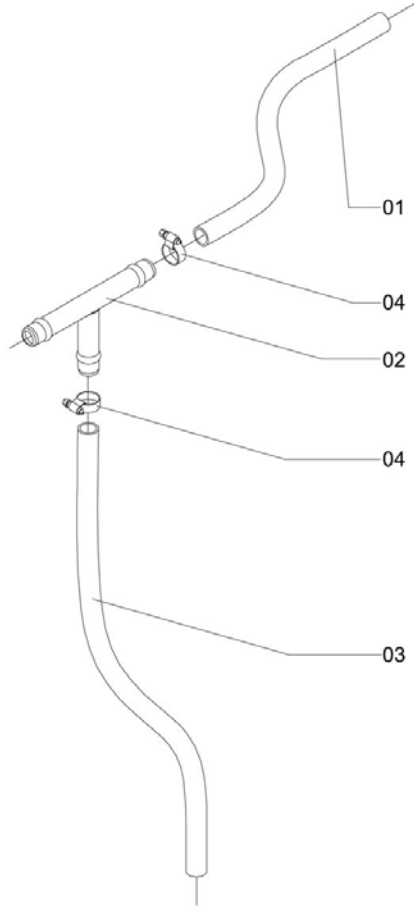
DT-24

| Item | CODE   | DESCRIPTION                                    | Qty. | Item | CODE | DESCRIPTION | Qty. |
|------|--------|--|------|------|------|-------------|------|
| 00   | 337972 | Lower outlet hose                              | 1    |      |      |             |      |
| 01   | 332601 | Extension guide                                | 1    |      |      |             |      |
| 02   | 337980 | Outlet hose body                               | 1    |      |      |             |      |
| 03   | 508515 | Flat washer 4,3 x 10,2 x 0,8 - stainless steel | 2    |      |      |             |      |
| 04   | 519769 | Rivet Pop - 4.0 x 10.2                         | 2    |      |      |             |      |

Controlled copy – Distribution and reproduction prohibited



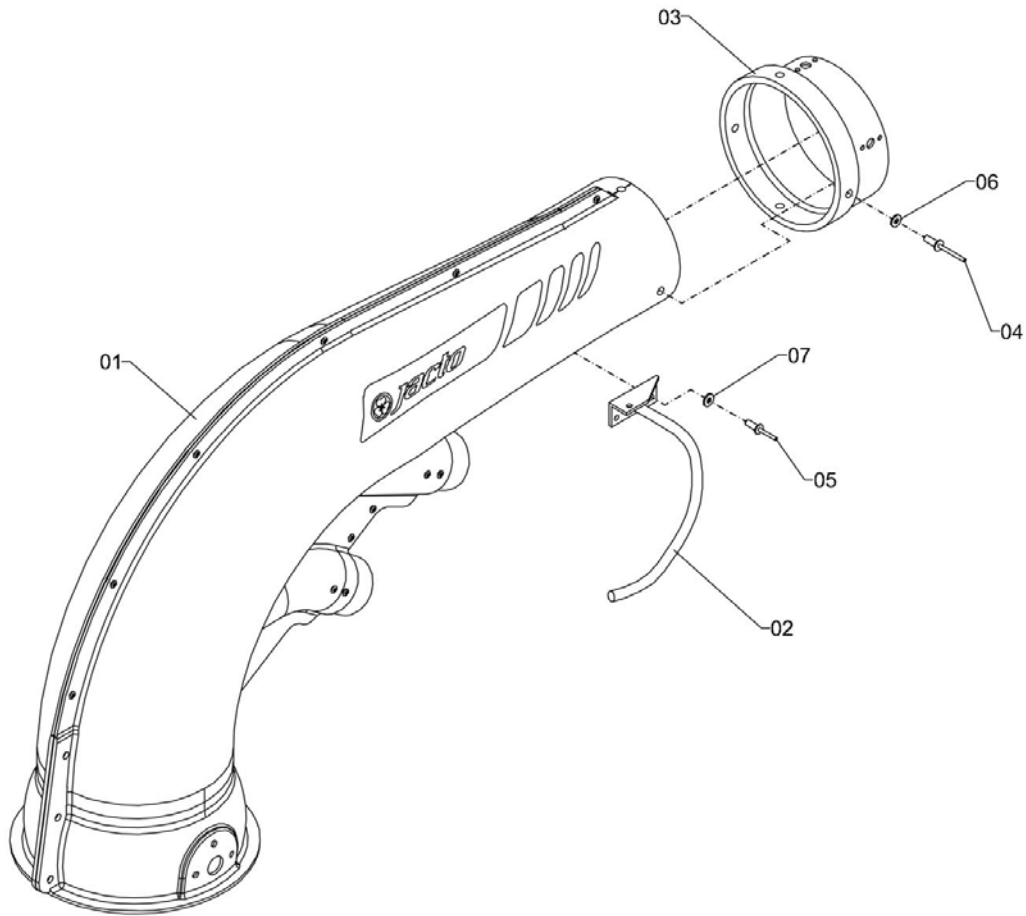
**OUTLET DUCT HOSE**



**MD-056**

| Item | CODE   | DESCRIPTION                    | Qty. | Item | CODE | DESCRIPTION | Qty. |
|------|--------|--------------------------------|------|------|------|-------------|------|
| 00   | 695791 | Outlet duct hose               | 1    |      |      |             |      |
| 01   | 216424 | Hose 9,60 3/8" x 510 PT 80     | 1    |      |      |             |      |
| 02   | 409169 | Tee fitting for hose 3/8"      | 1    |      |      |             |      |
| 03   | 421107 | Hose 3/8" x 330                | 1    |      |      |             |      |
| 04   | 063370 | Clamp D11-16 - stainless steel | 2    |      |      |             |      |

# OUTLET DUCT

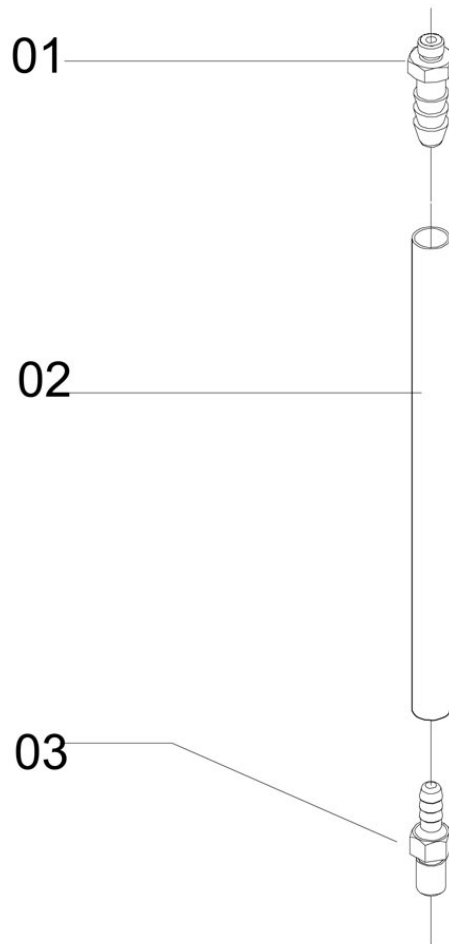


DT-23

| Item | CODE   | DESCRIPTION                                    | Qty. | Item | CODE | DESCRIPTION | Qty. |
|------|--------|--|------|------|------|-------------|------|
| 00   | 332429 | Outlet duct                                    | 1    |      |      |             |      |
| 01   | 180620 | Outlet duct                                    | 1    |      |      |             |      |
| 02   | 332478 | Upper slide                                    | 1    |      |      |             |      |
| 03   | 519421 | Upper coupling end (JS-600) PPH                | 1    |      |      |             |      |
| 04   | 519785 | Rivbet Pop                                     | 8    |      |      |             |      |
| 05   | 215426 | Rivet pop 4,8 x 21,6                           | 3    |      |      |             |      |
| 06   | 508515 | Flat washer 4,3 x 10,2 x 0,8 - stainless steel | 8    |      |      |             |      |
| 07   | 979237 | Flat washer 5,30 x 10,0 x 1,0                  | 3    |      |      |             |      |

Controlled copy – Distribution and reproduction prohibited

**HOSE ASSEMBLY (AGITATOR 1/4" X 340)**

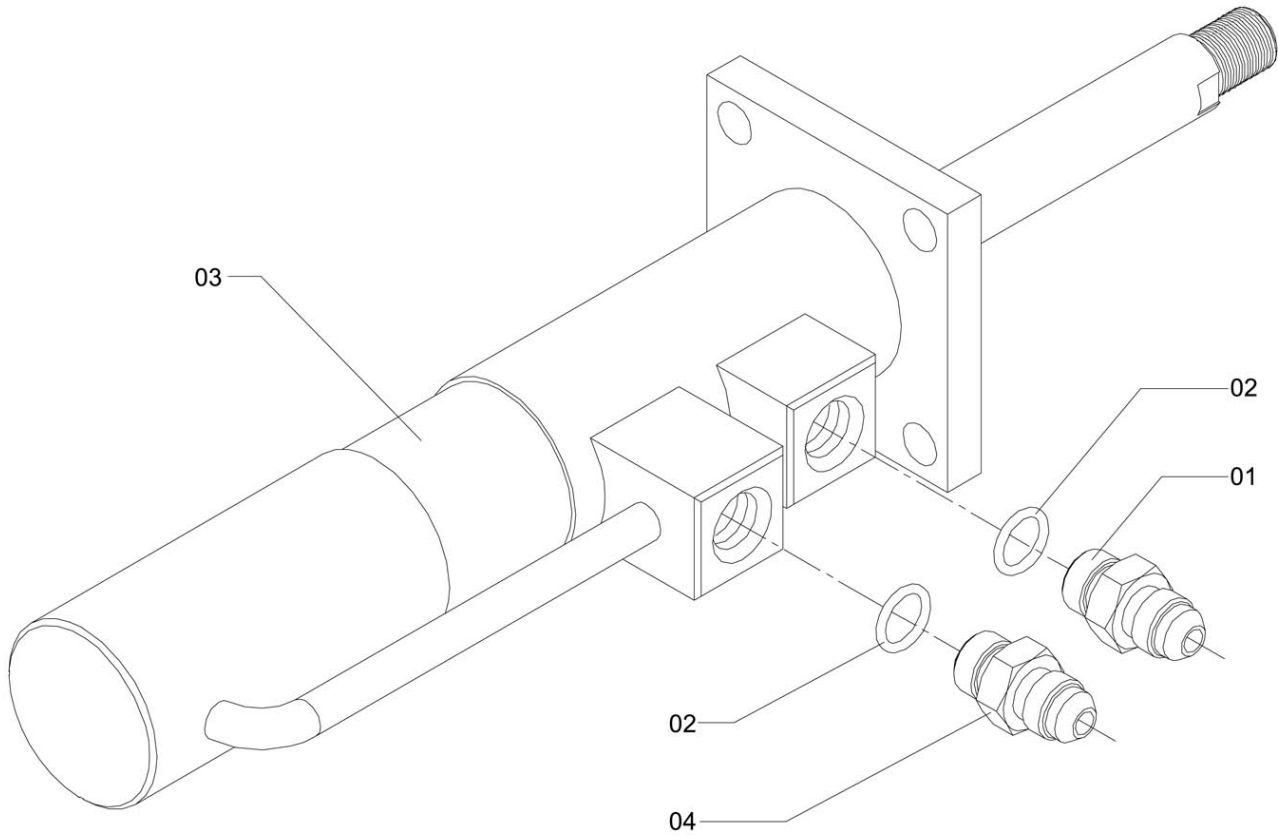


**CD-699**

| Item | CODE   | DESCRIPTION                         | Qty. |
|------|--------|-------------------------------------|------|
| 00   | 695759 | Hose assembly (Agitator 1/4" x 340) | 1    |
| 01   | 426205 | Male fitting for hose 1/4"          | 1    |
| 02   | 625269 | Hose 6.35 - 1/4" x 110              | 1    |
| 03   | 426189 | Fitting                             | 1    |

| Item | CODE | DESCRIPTION | Qty. |
|------|------|-------------|------|
|      |      |             |      |
|      |      |             |      |
|      |      |             |      |
|      |      |             |      |

## HYDRAULIC CYLINDER WITH NIPPLES - 32 X 100

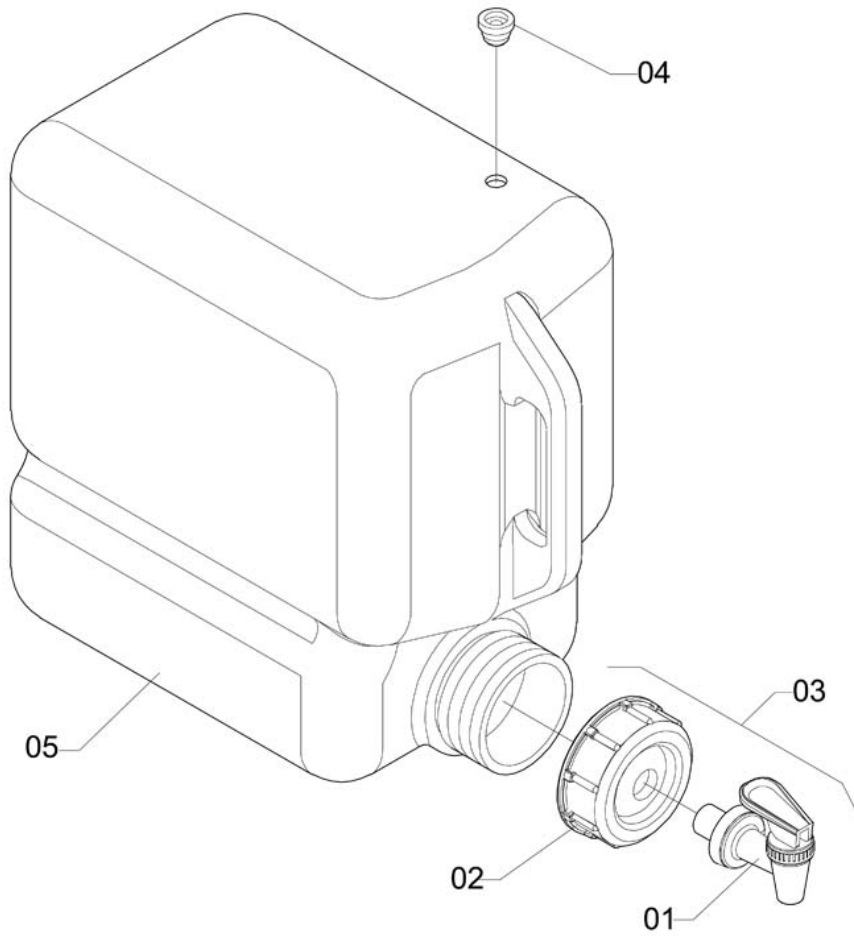


**CH-642**

| Item | CODE   | DESCRIPTION                                | Qty. | Item | CODE | DESCRIPTION | Qty. |
|------|--------|--|------|------|------|-------------|------|
| 00   | 045913 | Hydraulic cylinder with nipples - 32 x 100 | 1    |      |      |             |      |
| 01   | 340083 | Dosage nipple 1,50 - 37                    | 1    |      |      |             |      |
| 02   | 426361 | Packing ring 10.52 x 1.83 OR2-5            | 2    |      |      |             |      |
| 03   | 519967 | Hydraulic cylinder 32 x 100                | 1    |      |      |             |      |
| 03A  | 130674 | Repair kit                                 | 1    |      |      |             |      |
| 04   | 521906 | Dosage nipple 0.50                         | 1    |      |      |             |      |

Controlled copy – Distribution and reproduction prohibited

# 15-LITER TANK ASSEMBLY

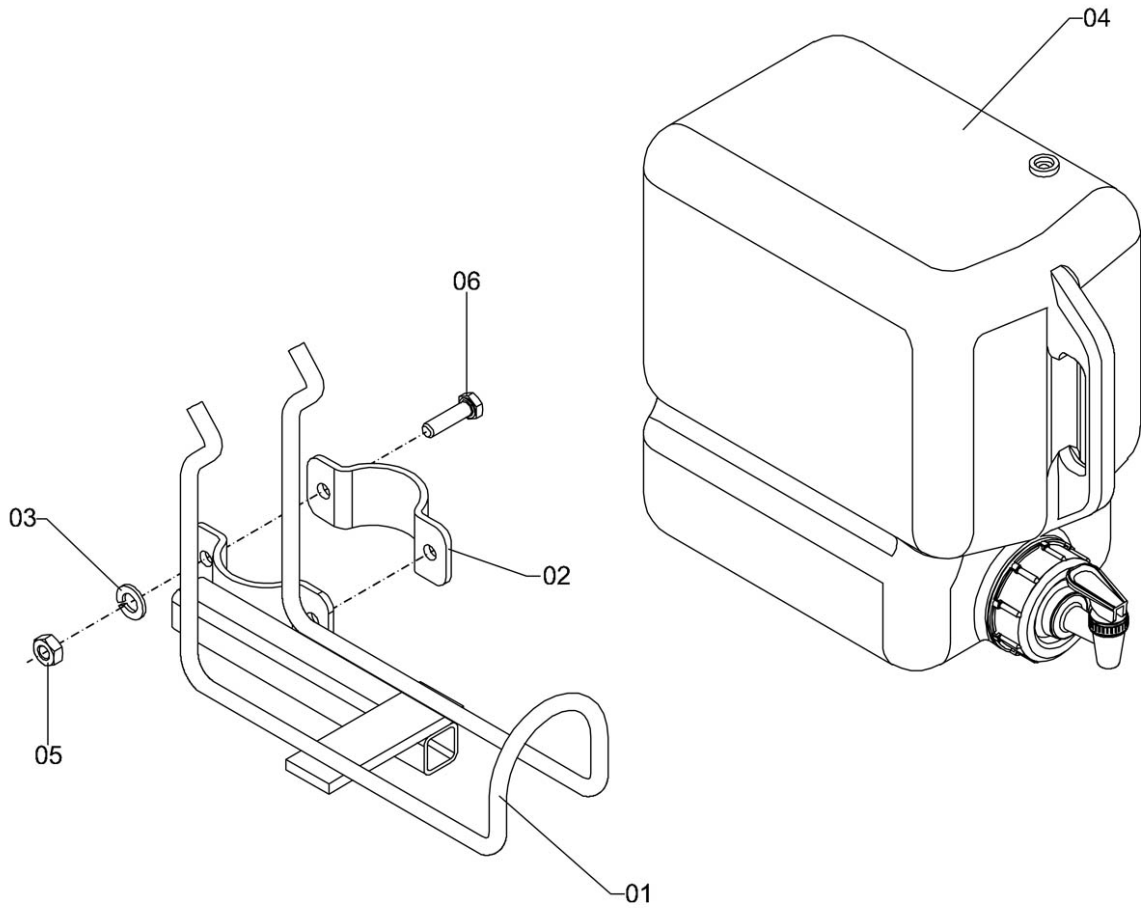


D-114

| Item | CODE   | DESCRIPTION               | Qty. | Item | CODE | DESCRIPTION | Qty. |
|------|--------|---------------------------|------|------|------|-------------|------|
| 00   | 299768 | 15-liter tank assembly    | 1    |      |      |             |      |
| 01   | 044180 | Plastic tap 23 x 3/8" BSP | 1    |      |      |             |      |
| 02   | 557462 | Cover                     | 1    |      |      |             |      |
| 03   | 619064 | Cover with tap            | 1    |      |      |             |      |
| 04   | 247270 | Breather                  | 1    |      |      |             |      |
| 05   | 299875 | 15 liter tank             | 1    |      |      |             |      |

Controlled copy – Distribution and reproduction prohibited

**ASSEMBLY: 15-LITER TANK AND SUPPORT**

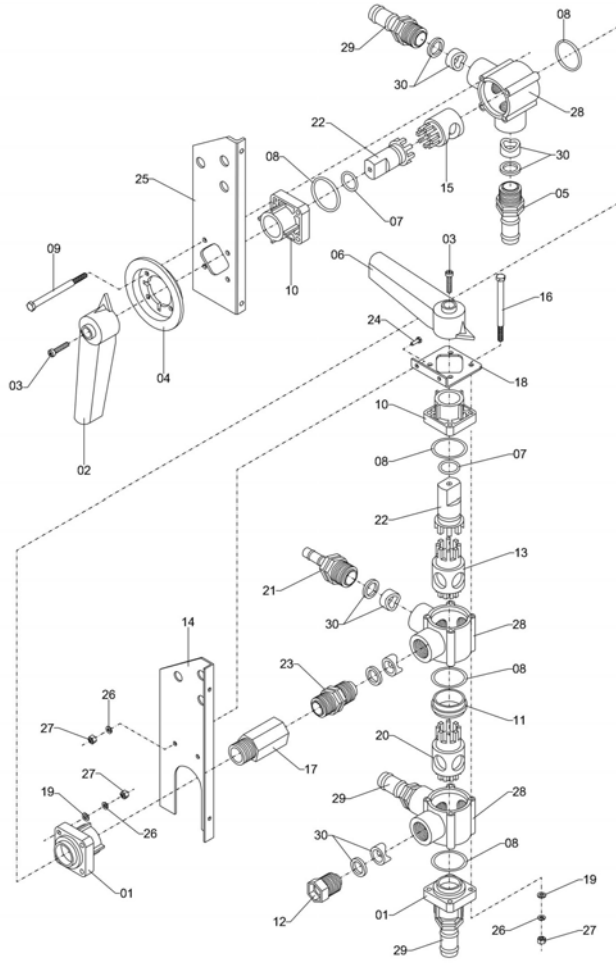


**D-78**

| Item | CODE   | DESCRIPTION                         | Qty. | Item | CODE | DESCRIPTION | Qty. |
|------|--------|-------------------------------------|------|------|------|-------------|------|
| 00   | 980102 | Assembly: 15-liter tank and support | 1    |      |      |             |      |
| 01   | 136846 | 15-liter tank support               | 1    |      |      |             |      |
| 02   | 206003 | Semiclamp                           | 1    |      |      |             |      |
| 03   | 209395 | Lock washer M10                     | 2    |      |      |             |      |
| 04   | 299768 | 15-liter tank assembly              | 1    |      |      |             |      |
| 05   | 907030 | Hex. nut M10 x 1.25                 | 2    |      |      |             |      |
| 06   | 757559 | Hex. bolt M10 x 30 x 1.25           | 2    |      |      |             |      |

Controlled copy – Distribution and reproduction prohibited

# FLOW RATE REGULATING VALVE

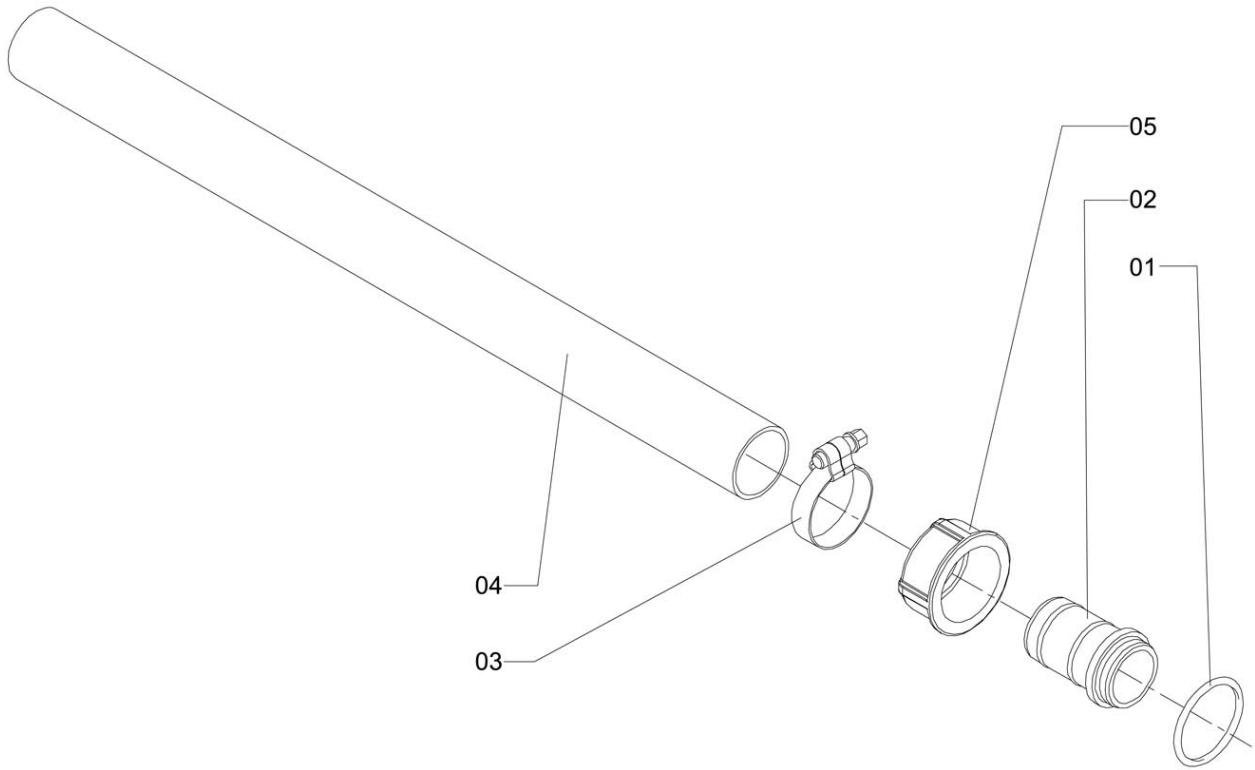


**CV-41**

| Item | CODE   | DESCRIPTION                 | Qty. | Item | CODE   | DESCRIPTION           | Qty. |
|------|--------|-----------------------------|------|------|--------|-----------------------|------|
| 00   | 333690 | Flow rate regulating valve  | 1    | 30   | 211235 | Seat and packing ring | 6    |
| 01   | 200170 | Valve cover 1" - BSP        | 2    |      |        |                       |      |
| 02   | 200204 | Setting lever               | 1    |      |        |                       |      |
| 03   | 211227 | Screw                       | 2    |      |        |                       |      |
| 04   | 212134 | Indicator                   | 1    |      |        |                       |      |
| 05   | 212175 | Fitting 1/2" x 1" BSP       | 1    |      |        |                       |      |
| 06   | 212571 | Setting lever               | 1    |      |        |                       |      |
| 07   | 216192 | O-ring OR1-213              | 2    |      |        |                       |      |
| 08   | 216200 | O-ring ORI-132              | 5    |      |        |                       |      |
| 09   | 216218 | Bolt 1/4" - 20 UNC x 2.1/2" | 4    |      |        |                       |      |
| 10   | 322594 | Valve cover                 | 2    |      |        |                       |      |
| 11   | 200022 | Valve guide                 | 2    |      |        |                       |      |
| 12   | 325019 | Plug 1" BSP                 | 1    |      |        |                       |      |
| 13   | 325035 | Core II                     | 1    |      |        |                       |      |
| 14   | 333716 | Valve base (right)          | 1    |      |        |                       |      |
| 15   | 333724 | Regulator core              | 1    |      |        |                       |      |
| 16   | 333732 | Bolt 1/4" - 20 UNC x 131    | 4    |      |        |                       |      |
| 17   | 333757 | Extension                   | 1    |      |        |                       |      |
| 18   | 333765 | Support                     | 1    |      |        |                       |      |
| 19   | 358267 | Flat washer 64 x 125 x 16   | 8    |      |        |                       |      |
| 20   | 442616 | Core I                      | 1    |      |        |                       |      |
| 21   | 517797 | Fitting 3/8" x 1" BSP       | 1    |      |        |                       |      |
| 22   | 200048 | Valve rod                   | 2    |      |        |                       |      |
| 23   | 517847 | Nipple 1 BSP                | 1    |      |        |                       |      |
| 24   | 007229 | Bolt 1/4" x 20 UNC x 3/4"   | 2    |      |        |                       |      |
| 25   | 732230 | Valve base (left)           | 1    |      |        |                       |      |
| 26   | 910117 | Lock washer 1/4"            | 4    |      |        |                       |      |
| 27   | 912741 | Nut 1/4" - 20 UNC           | 4    |      |        |                       |      |
| 28   | 200121 | Core body                   | 3    |      |        |                       |      |
| 29   | 404459 | Hose fitting 1" x 1" BSP    | 2    |      |        |                       |      |

Controlled copy – Distribution and reproduction prohibited

**RETURN HOSE - 1" X 1300MM**

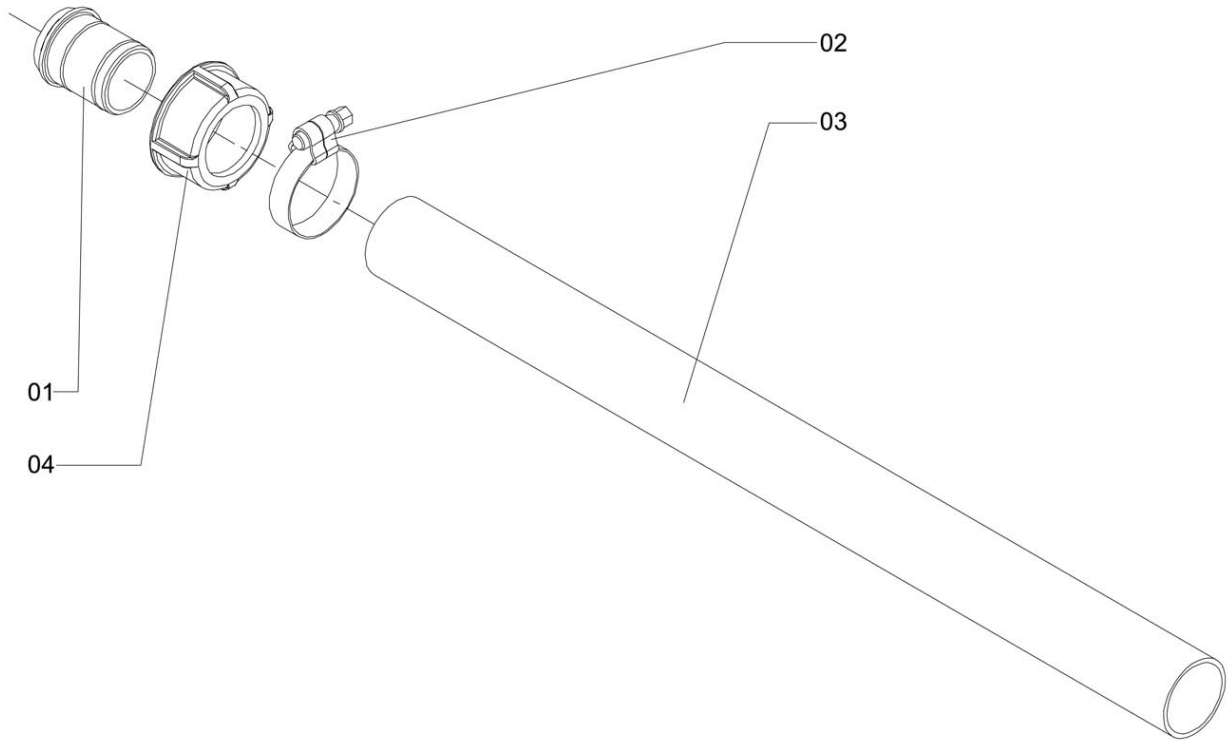


**MD-061**

| Item | CODE   | DESCRIPTION                      | Qty. | Item | CODE | DESCRIPTION | Qty. |
|------|--------|----------------------------------|------|------|------|-------------|------|
| 00   | 168377 | Return hose - 1" x 1300mm        | 1    |      |      |             |      |
| 01   | 402412 | Lock washer 31 x 22.5 x 22.5/3.0 | 1    |      |      |             |      |
| 02   | 404434 | Hose fitting                     | 1    |      |      |             |      |
| 03   | 423814 | Clamp D22-32 - stainless steel   | 1    |      |      |             |      |
| 04   | 903385 | Hose 1" x 1300                   | 1    |      |      |             |      |
| 05   | 511733 | Round nut 1" BSP (40-45)         | 1    |      |      |             |      |



## HOSE - CONTROL/TANK



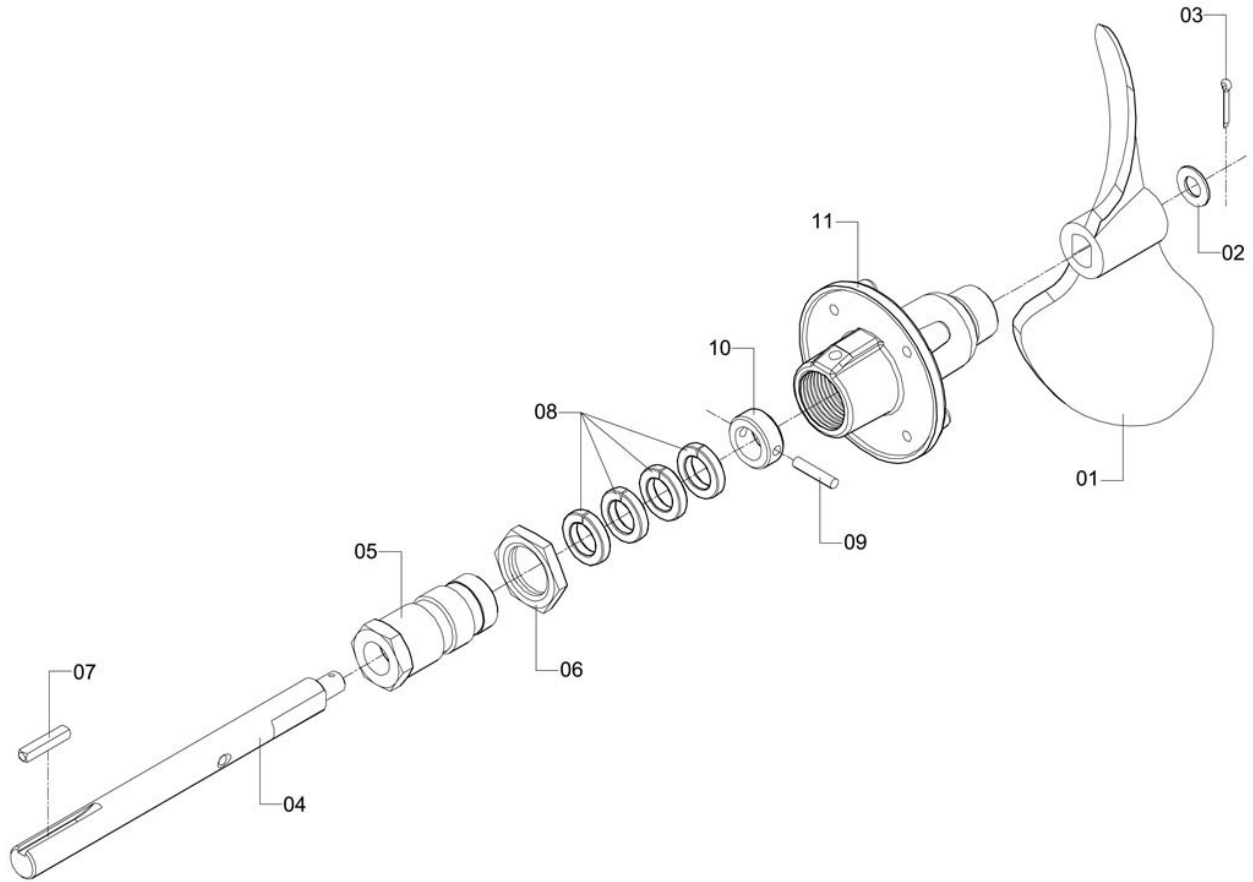
**MD-060**

| Item | CODE   | DESCRIPTION                    | Qty. | Item | CODE | DESCRIPTION | Qty. |
|------|--------|--------------------------------|------|------|------|-------------|------|
| 00   | 168369 | Hose - Control/Tank            | 1    |      |      |             |      |
| 01   | 208777 | Hose fitting 1" x 33           | 1    |      |      |             |      |
| 02   | 423814 | Clamp D22-32 - stainless steel | 1    |      |      |             |      |
| 03   | 559252 | Flexible hose - 1" x 1500mm    | 1    |      |      |             |      |
| 04   | 005884 | Nut 1.1/4" BSP                 | 1    |      |      |             |      |

Controlled copy – Distribution and reproduction prohibited



# MECHANICAL AGITATOR N. 8

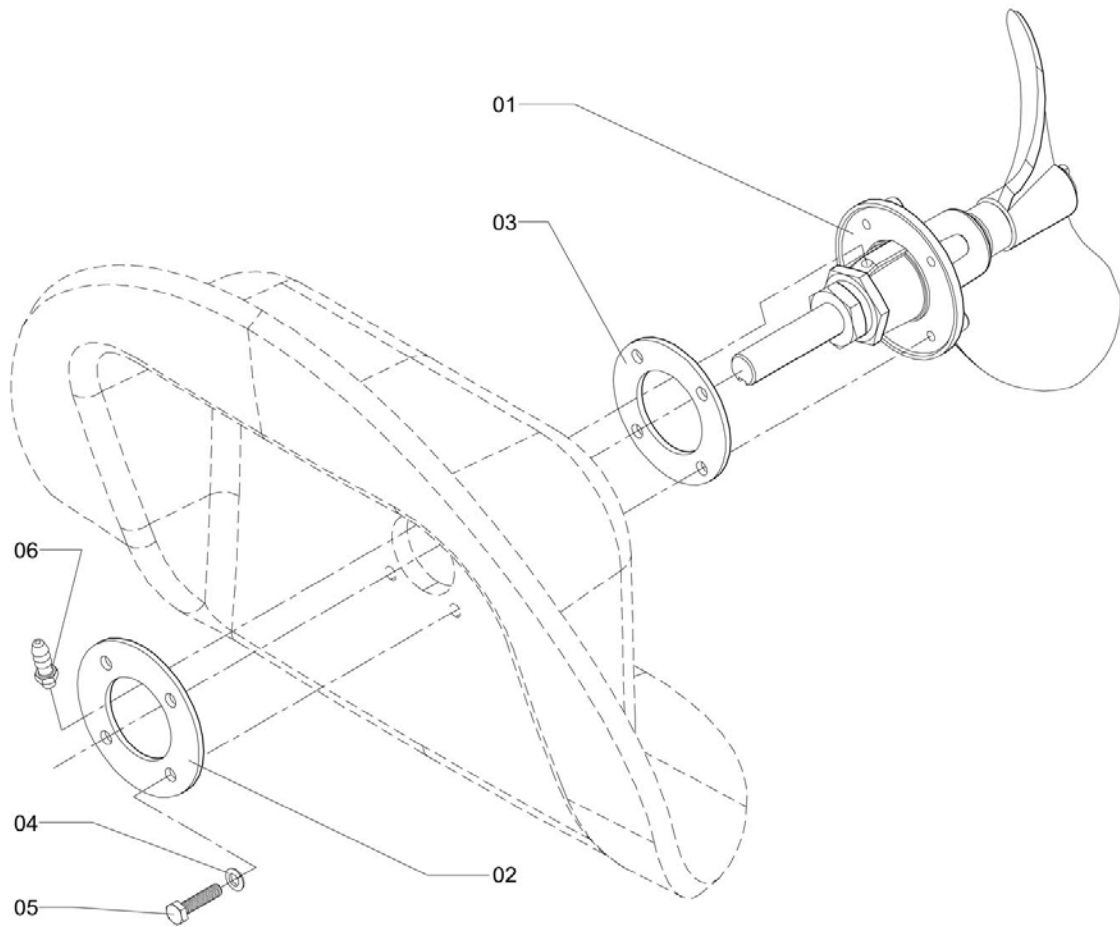


**MM-35**

| Item | CODE    | DESCRIPTION                                 | Qty. | Item | CODE | DESCRIPTION | Qty. |
|------|---------|---|------|------|------|-------------|------|
| 00   | 163352  | Mechanical agitator n. 8                    | 1    |      |      |             |      |
| 01   | 517581  | Propeller                                   | 1    |      |      |             |      |
| 02   | 973313  | Flat washer 10.5 x 21 x 2 - stainless steel | 1    |      |      |             |      |
| 03   | 1148305 | Counterpin 2.5 x 16 DIN 94 (stainless)      | 1    |      |      |             |      |
| 04   | 517607  | Shaft                                       | 1    |      |      |             |      |
| 05   | 517623  | Gasket tightener                            | 1    |      |      |             |      |
| 06   | 744771  | Hex. nut M28 x 2.00                         | 1    |      |      |             |      |
| 07   | 405597  | Square key 4.75 (3/16") x 28                | 1    |      |      |             |      |
| 08   | 517672  | Gasket 3/16" x 70                           | 4    |      |      |             |      |
| 09   | 517680  | Pin 3/16" x 24                              | 1    |      |      |             |      |
| 10   | 517698  | Seat bushing 1" x 10                        | 1    |      |      |             |      |
| 11   | 517664  | Agitator body (machined part)               | 1    |      |      |             |      |

Controlled copy – Distribution and reproduction prohibited

## MECHANICAL AGITATOR NO. 3

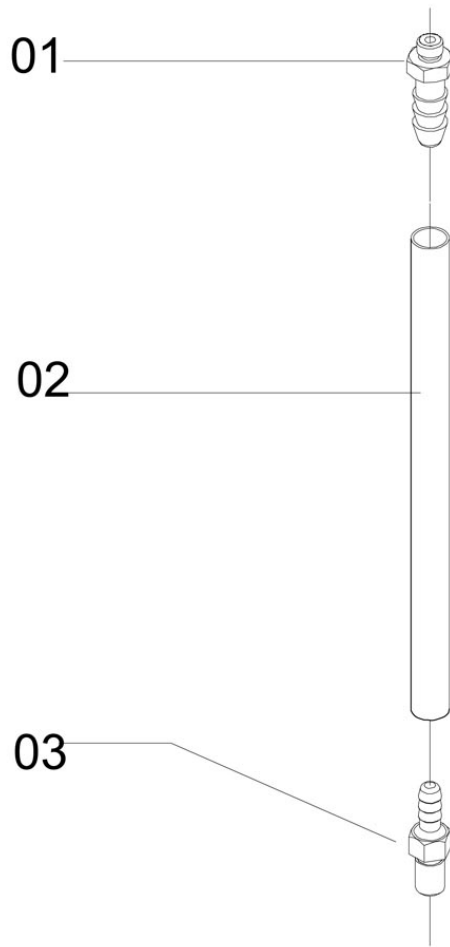


MM-39

| Item | CODE   | DESCRIPTION                     | Qty. | Item | CODE | DESCRIPTION | Qty. |
|------|--------|---------------------------------|------|------|------|-------------|------|
| 00   | 517573 | Mechanical agitator no. 3       | 1    |      |      |             |      |
| 01   | 163352 | Mechanical agitator n. 8        | 1    |      |      |             |      |
| 02   | 517631 | Flange 80                       | 1    |      |      |             |      |
| 03   | 517649 | Rubber seal 74                  | 1    |      |      |             |      |
| 04   | 521666 | Lock washer 5 - stainless steel | 4    |      |      |             |      |
| 05   | 810697 | Bolt M6 x 1 x 20 CL8.8          | 4    |      |      |             |      |
| 06   | 426205 | Male fitting for hose 1/4"      | 1    |      |      |             |      |

Controlled copy – Distribution and reproduction prohibited

**HOSE ASSEMBLY (AGITATOR 1/4" X 340)**

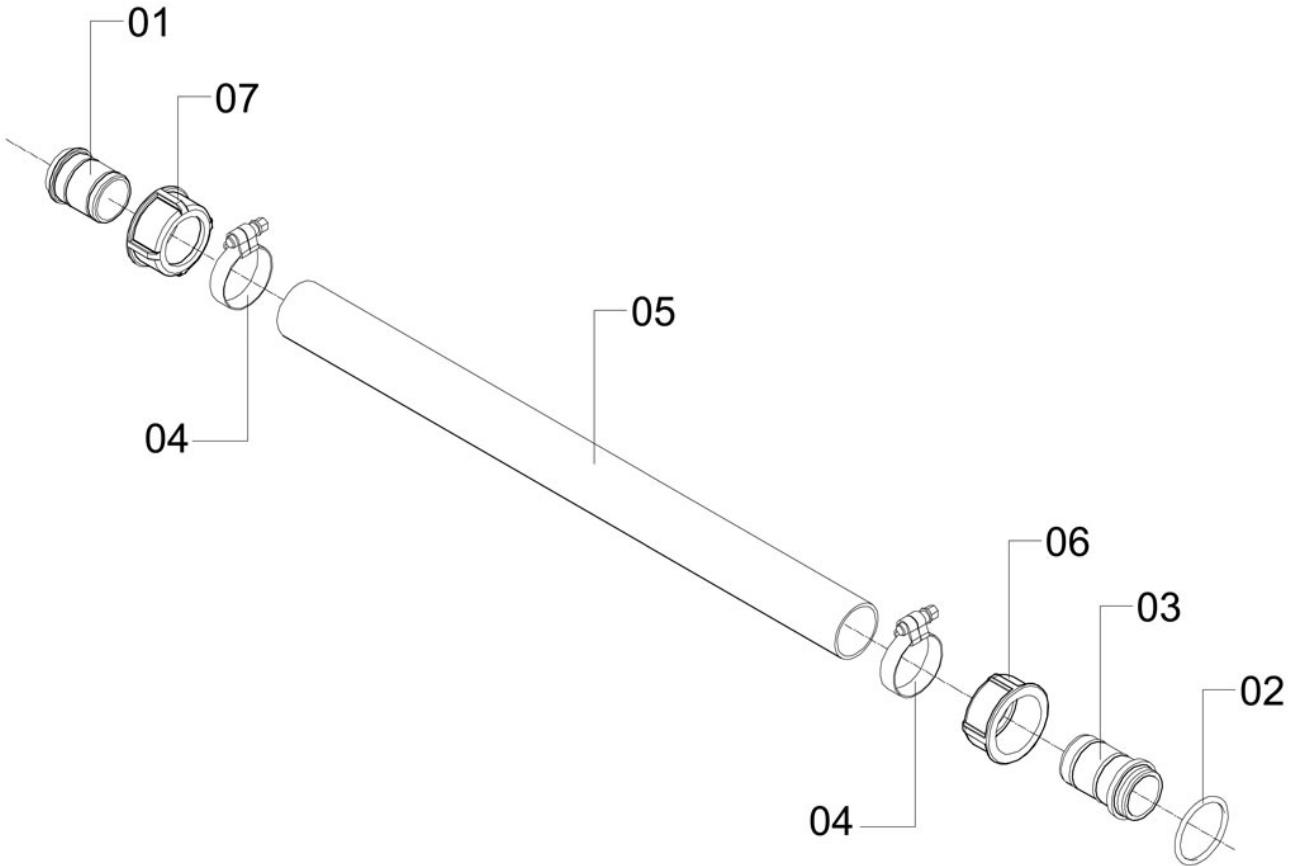


**CD-699**

| Item | CODE   | DESCRIPTION                         | Qty. |
|------|--------|-------------------------------------|------|
| 00   | 050385 | Hose assembly (Agitator 1/4" x 340) | 1    |
| 01   | 426205 | Male fitting for hose 1/4"          | 1    |
| 02   | 517920 | Hose 1/4" x 340                     | 1    |
| 03   | 426189 | Fitting                             | 1    |

| Item | CODE | DESCRIPTION | Qty. |
|------|------|-------------|------|
|      |      |             |      |
|      |      |             |      |
|      |      |             |      |
|      |      |             |      |

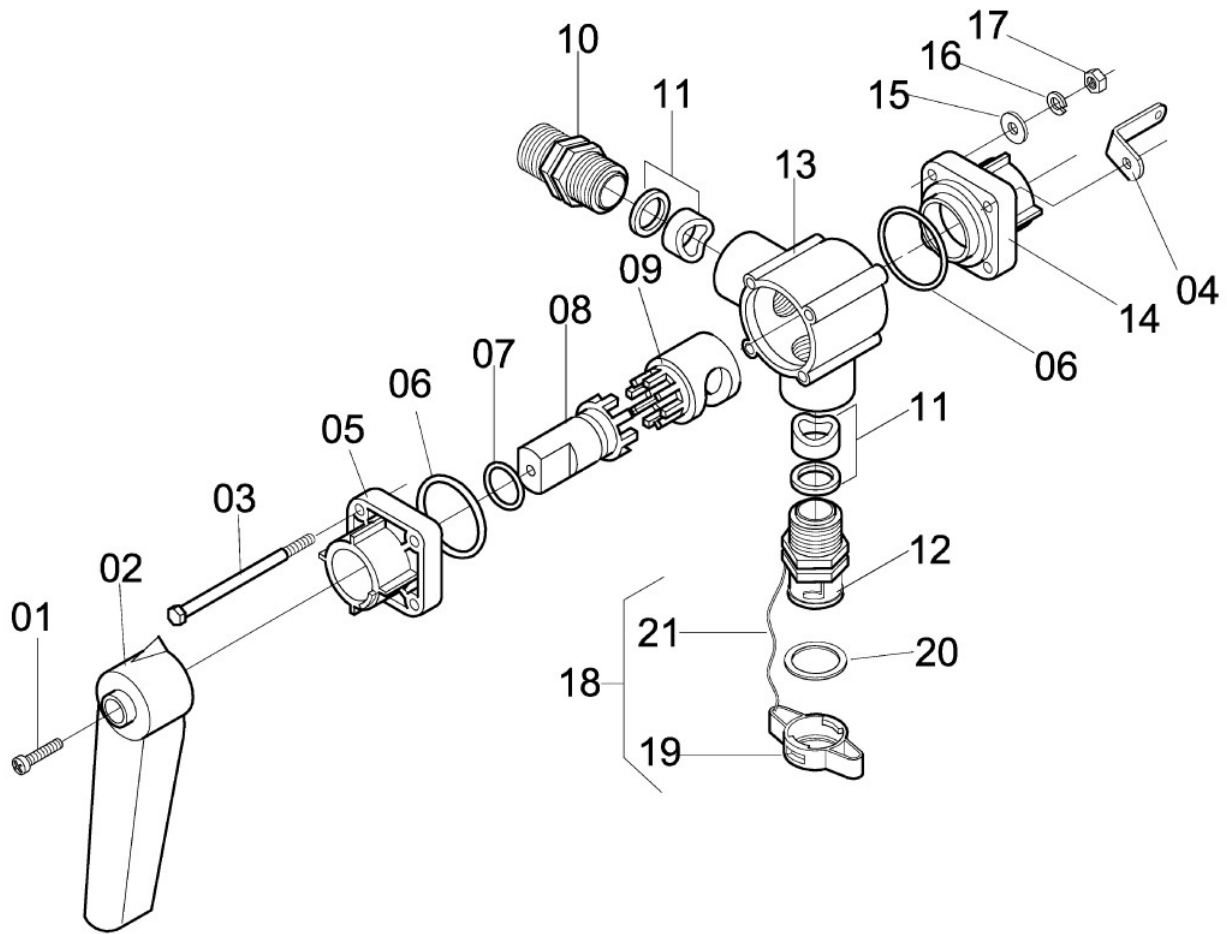
**HOSE - FILTER / PUMP**



**CD-772**

| Item | CODE   | DESCRIPTION                      | Qty. | Item | CODE | DESCRIPTION | Qty. |
|------|--------|----------------------------------|------|------|------|-------------|------|
| 00   | 168351 | Hose - Filter / Pump             | 1    |      |      |             |      |
| 01   | 905497 | Hose 1" x 750                    | 1    |      |      |             |      |
| 02   | 208777 | Hose fitting 1" x 33             | 1    |      |      |             |      |
| 03   | 402412 | Lock washer 31 x 22.5 x 22.5/3.0 | 1    |      |      |             |      |
| 04   | 404434 | Hose fitting                     | 1    |      |      |             |      |
| 05   | 423814 | Clamp D22-32 - stainless steel   | 2    |      |      |             |      |
| 06   | 511733 | Round nut 1" BSP (40-45)         | 1    |      |      |             |      |
| 07   | 005884 | Nut 1.1/4" BSP                   | 1    |      |      |             |      |

### 3-WAY REGULATING VALVE

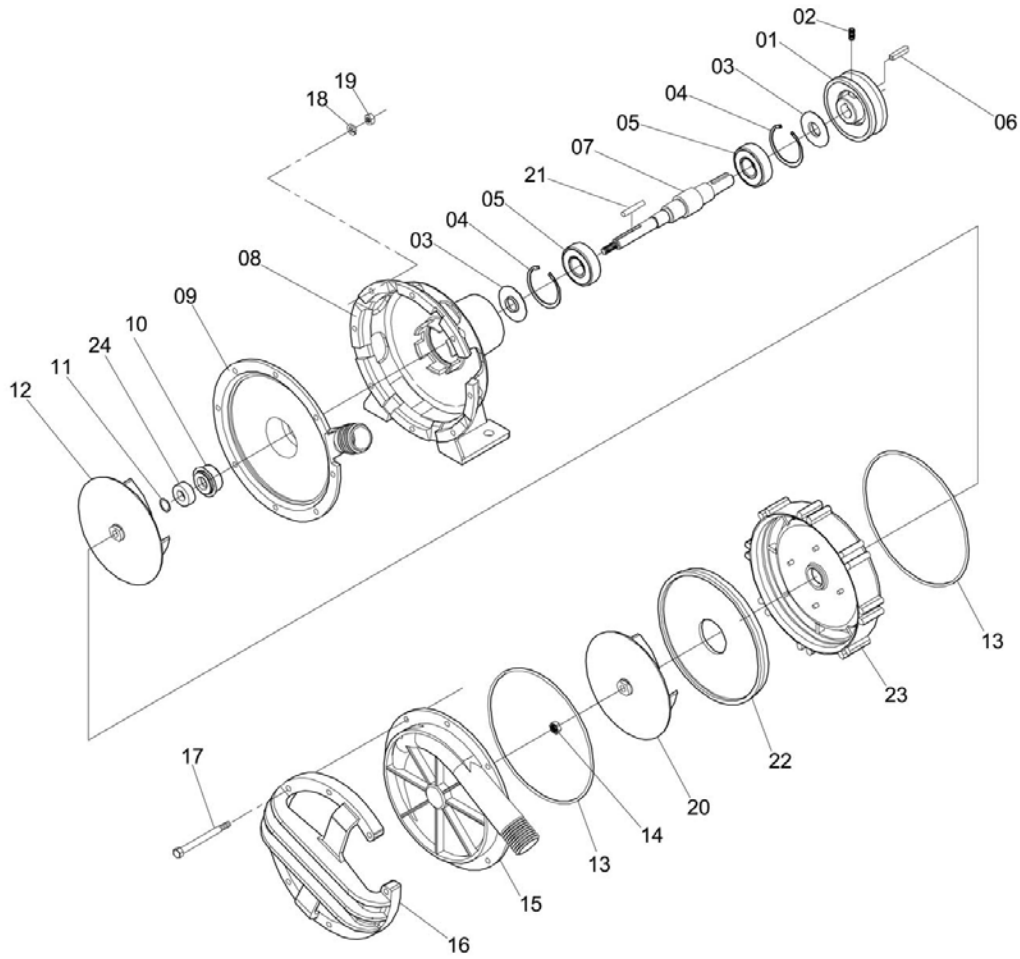


**CV-25**

| Item | CODE   | DESCRIPTION                                  | Qty. | Item | CODE | DESCRIPTION | Qty. |
|------|--------|--|------|------|------|-------------|------|
| 00   | 517821 | 3-way regulating valve                       | 1    |      |      |             |      |
| 01   | 912642 | Screw 1/4" UNC x 5/8"                        | 1    |      |      |             |      |
| 02   | 212571 | Setting lever                                | 1    |      |      |             |      |
| 03   | 216218 | Bolt 1/4" - 20 UNC x 2.1/2"                  | 4    |      |      |             |      |
| 04   | 517839 | Bracket                                      | 1    |      |      |             |      |
| 05   | 322594 | Valve cover                                  | 1    |      |      |             |      |
| 06   | 216200 | O-ring ORI-132                               | 2    |      |      |             |      |
| 07   | 216192 | O-ring OR1-213                               | 1    |      |      |             |      |
| 08   | 200048 | Valve rod                                    | 1    |      |      |             |      |
| 09   | 200014 | Regulator core                               | 1    |      |      |             |      |
| 10   | 517847 | Nipple 1 BSP                                 | 1    |      |      |             |      |
| 11   | 211235 | Seat and packing ring                        | 2    |      |      |             |      |
| 12   | 206177 | Coupling body 1"                             | 1    |      |      |             |      |
| 13   | 200121 | Core body                                    | 1    |      |      |             |      |
| 14   | 200170 | Valve cover 1" - BSP                         | 1    |      |      |             |      |
| 15   | 413468 | Flat washer 6.8 x 18 x 1.2 - stainless steel | 4    |      |      |             |      |
| 16   | 910117 | Lock washer 1/4"                             | 4    |      |      |             |      |
| 17   | 912741 | Nut 1/4" - 20 UNC                            | 4    |      |      |             |      |
| 18   | 614289 | Plug with nylon yarn                         | 1    |      |      |             |      |
| 19   | 614297 | Plug   | 1    |      |      |             |      |
| 20   | 206185 | Packing ring 32.8 x 6.00                     | 1    |      |      |             |      |
| 21   | 228916 | Nylon yarn 1.00 x 220                        | 1    |      |      |             |      |

Controlled copy – Distribution and reproduction prohibited

## CENTRIFUGAL PUMP BC-1143 (DUAL STAGE - SERIES 4)



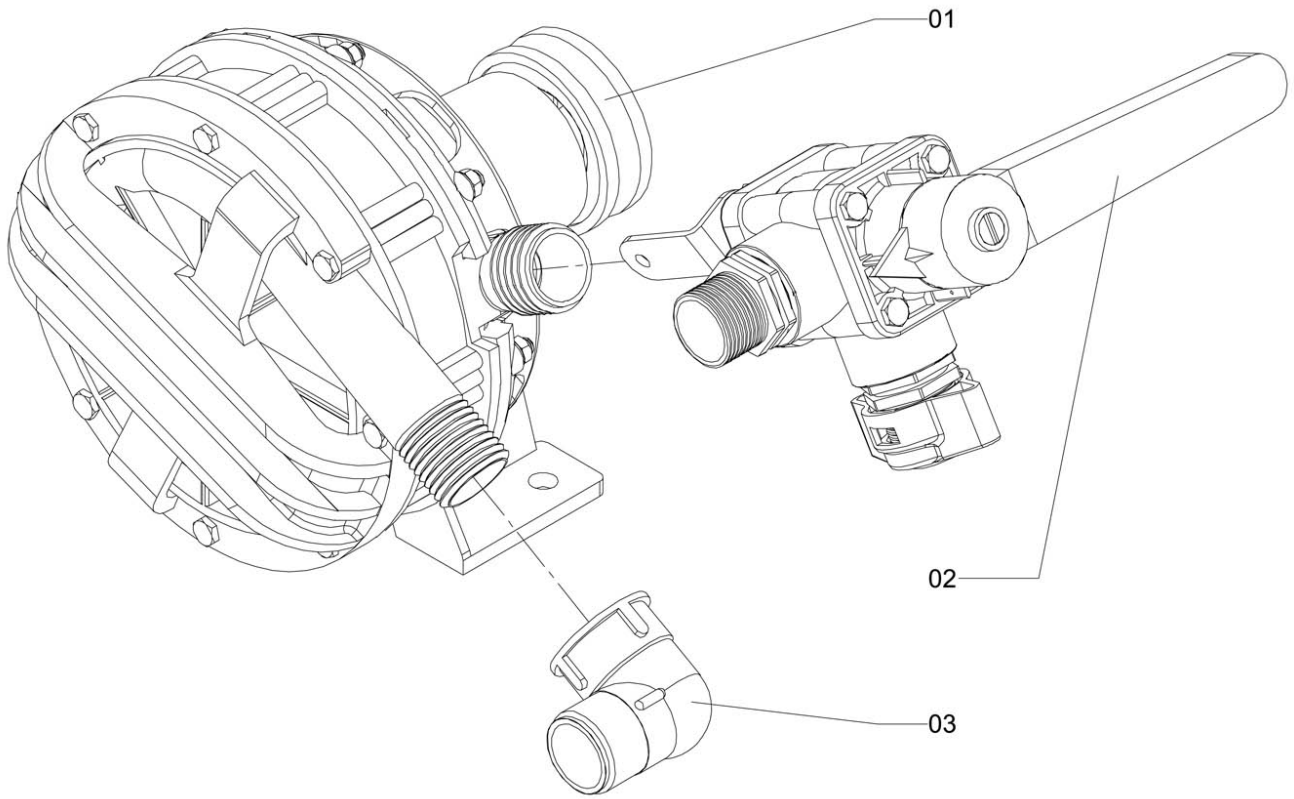
B-174

| Item | CODE   | DESCRIPTION                                      | Qty. | Item | CODE | DESCRIPTION | Qty. |
|------|--------|--|------|------|------|-------------|------|
| 00   | 337964 | Centrifugal pump BC-1143 (dual stage - series 4) | 1    |      |      |             |      |
| 01   | 704874 | Pulley 90-1A                                     | 1    |      |      |             |      |
| 02   | 901363 | Allen bolt 1/4" - 20 UNC x 1/2"                  | 1    |      |      |             |      |
| 03   | 707067 | Bearing protector                                | 2    |      |      |             |      |
| 04   | 901371 | Snap ring for hole 47                            | 2    |      |      |             |      |
| 05   | 901389 | Fixed bearing no. 6204 DDU                       | 2    |      |      |             |      |
| 06   | 901355 | Square key 3/16" x 22                            | 1    |      |      |             |      |
| 07   | 340406 | Pump shaft                                       | 1    |      |      |             |      |
| 08   | 019182 | Pump housing                                     | 1    |      |      |             |      |
| 09   | 703132 | Pump body I                                      | 1    |      |      |             |      |
| 10   | 932038 | Mechanic seal - Viton 42012 - stainless steel    | 1    |      |      |             |      |
| 11   | 901405 | O-ring ORI-014                                   | 1    |      |      |             |      |
| 12   | 340372 | Pump rotor I                                     | 1    |      |      |             |      |
| 13   | 901413 | O-ring ORI-258                                   | 2    |      |      |             |      |
| 14   | 815829 | Hex. nut 3/8" - 16 UNC                           | 1    |      |      |             |      |
| 15   | 703140 | Pump body II                                     | 1    |      |      |             |      |
| 16   | 901850 | Pump cover                                       | 1    |      |      |             |      |
| 17   | 216218 | Bolt 1/4" - 20 UNC x 2.1/2"                      | 8    |      |      |             |      |
| 18   | 910117 | Lock washer 1/4"                                 | 8    |      |      |             |      |
| 19   | 912741 | Nut 1/4" - 20 UNC                                | 8    |      |      |             |      |
| 20   | 901348 | Pump rotor                                       | 1    |      |      |             |      |
| 21   | 340414 | Square key 3 x 20                                | 1    |      |      |             |      |
| 22   | 054304 | Output Separator                                 | 1    |      |      |             |      |
| 23   | 973396 | Output spacer                                    | 1    |      |      |             |      |
| 24   | 815175 | Sealer seat                                      | 1    |      |      |             |      |

Controlled copy – Distribution and reproduction prohibited



# CENTRIFUGAL PUMP WITH 3-WAY VALVE

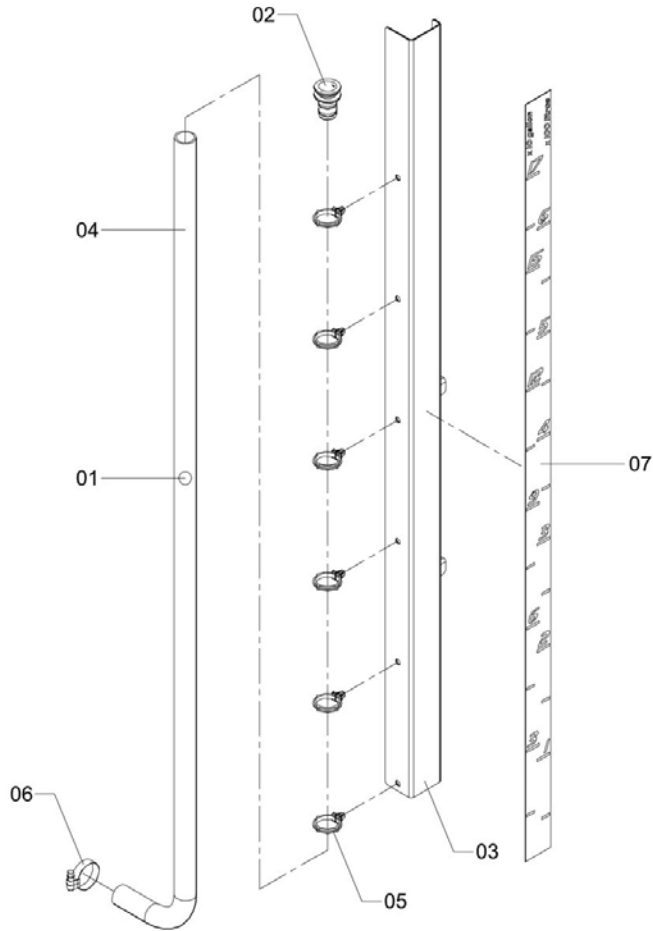


B-173

| Item | CODE   | DESCRIPTION                                      | Qty. | Item | CODE | DESCRIPTION | Qty. |
|------|--------|--|------|------|------|-------------|------|
| 00   | 164871 | Centrifugal pump with 3-way valve                | 1    |      |      |             |      |
| 01   | 337964 | Centrifugal pump BC-1143 (dual stage - series 4) | 1    |      |      |             |      |
| 02   | 517821 | 3-way regulating valve                           | 1    |      |      |             |      |
| 03   | 902817 | Male/female elbow 1" BSP x 90°                   | 1    |      |      |             |      |

Controlled copy – Distribution and reproduction prohibited

## LEVEL INDICATOR 5

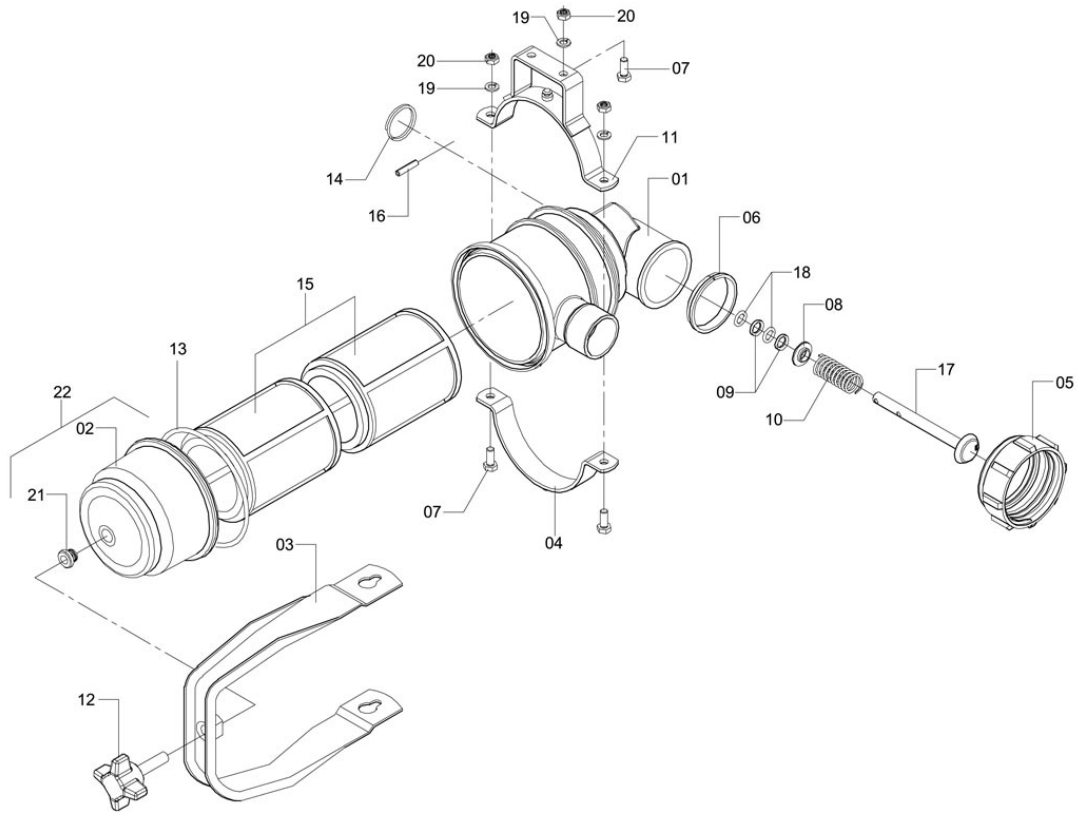


**MN-74**

| Item | CODE    | DESCRIPTION                    | Qty. | Item | CODE | DESCRIPTION | Qty. |
|------|---------|--------------------------------|------|------|------|-------------|------|
| 00   | 716670  | Level indicator 5              | 1    |      |      |             |      |
| 01   | 324764  | Float 14                       | 1    |      |      |             |      |
| 02   | 537381  | Plug                           | 1    |      |      |             |      |
| 03   | 716688  | Level indicator body           | 1    |      |      |             |      |
| 04   | 717199  | Hose 3/4" x 1060               | 1    |      |      |             |      |
| 05   | 546598  | Hose clip 22/25                | 6    |      |      |             |      |
| 06   | 423814  | Clamp D22-32 - stainless steel | 1    |      |      |             |      |
| 07   | 1202989 | Sticker - Level meter - 600L   | 1    |      |      |             |      |

Controlled copy – Distribution and reproduction prohibited

# 100-LITER SUCTION FILTER WITH VALVE

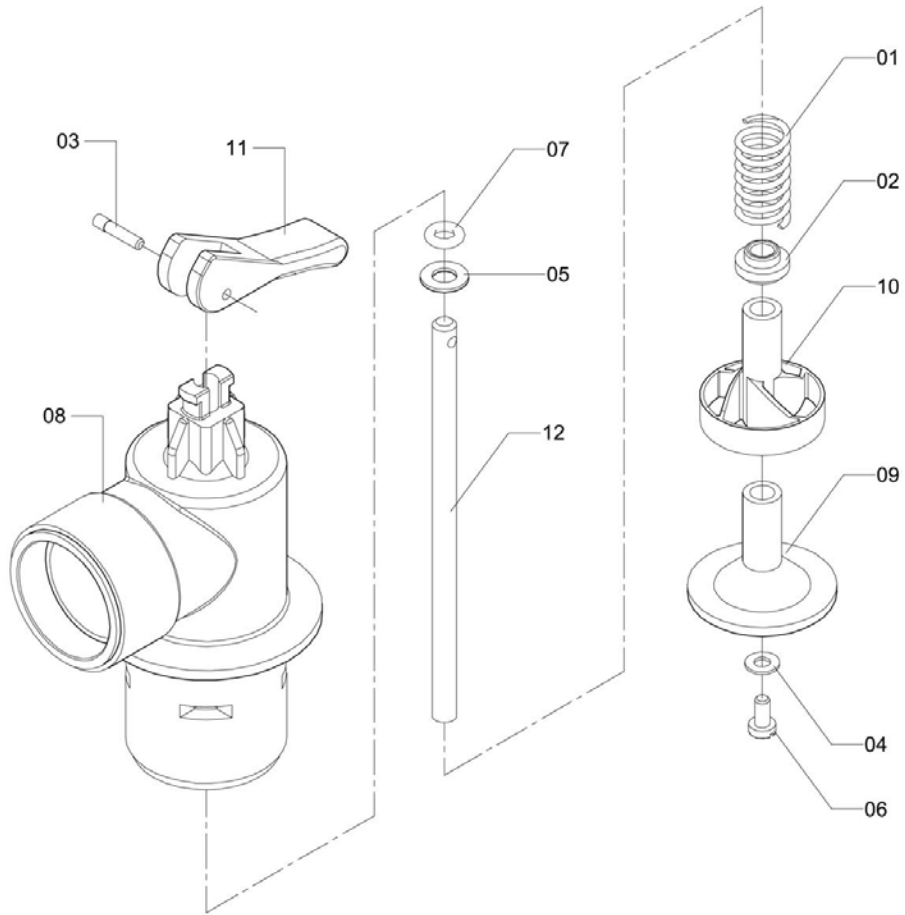


F-66

| Item | CODE   | DESCRIPTION                         | Qty. | Item | CODE | DESCRIPTION | Qty. |
|------|--------|-------------------------------------|------|------|------|-------------|------|
| 00   | 613596 | 100-liter suction Filter with Valve | 1    |      |      |             |      |
| 01   | 005785 | Filter body                         | 1    |      |      |             |      |
| 02   | 006007 | Cap FVS 100                         | 1    |      |      |             |      |
| 03   | 005827 | Filter handle                       | 1    |      |      |             |      |
| 04   | 005850 | Half-strap                          | 1    |      |      |             |      |
| 05   | 005900 | Coupling nut filter                 | 1    |      |      |             |      |
| 06   | 005918 | Locking ring                        | 1    |      |      |             |      |
| 07   | 810697 | Bolt M6 x 1 x 20 CL8.8              | 4    |      |      |             |      |
| 08   | 005967 | Spring seat                         | 1    |      |      |             |      |
| 09   | 005975 | Spacer washer                       | 2    |      |      |             |      |
| 10   | 006148 | Compression spring                  | 1    |      |      |             |      |
| 11   | 010967 | Half-strap with support             | 1    |      |      |             |      |
| 12   | 011734 | Bolt with knob                      | 1    |      |      |             |      |
| 13   | 012138 | O-ring ORI - 241                    | 1    |      |      |             |      |
| 14   | 012146 | Ring 40                             | 1    |      |      |             |      |
| 15   | 613604 | Double filtering element            | 1    |      |      |             |      |
| 16   | 105288 | Flexible pin 4 x 20 (heavy)         | 1    |      |      |             |      |
| 17   | 110817 | Valve                               | 1    |      |      |             |      |
| 18   | 416669 | O-ring OR1-110                      | 2    |      |      |             |      |
| 19   | 521666 | Lock washer 5 - stainless steel     | 4    |      |      |             |      |
| 20   | 730309 | Hex. nut M6 x 1.00 - Steel          | 4    |      |      |             |      |
| 21   | 006015 | Valve seat                          | 1    |      |      |             |      |
| 22   | 005793 | Filter cover                        | 1    |      |      |             |      |

Controlled copy – Distribution and reproduction prohibited

# DIRECTIONAL VALVE

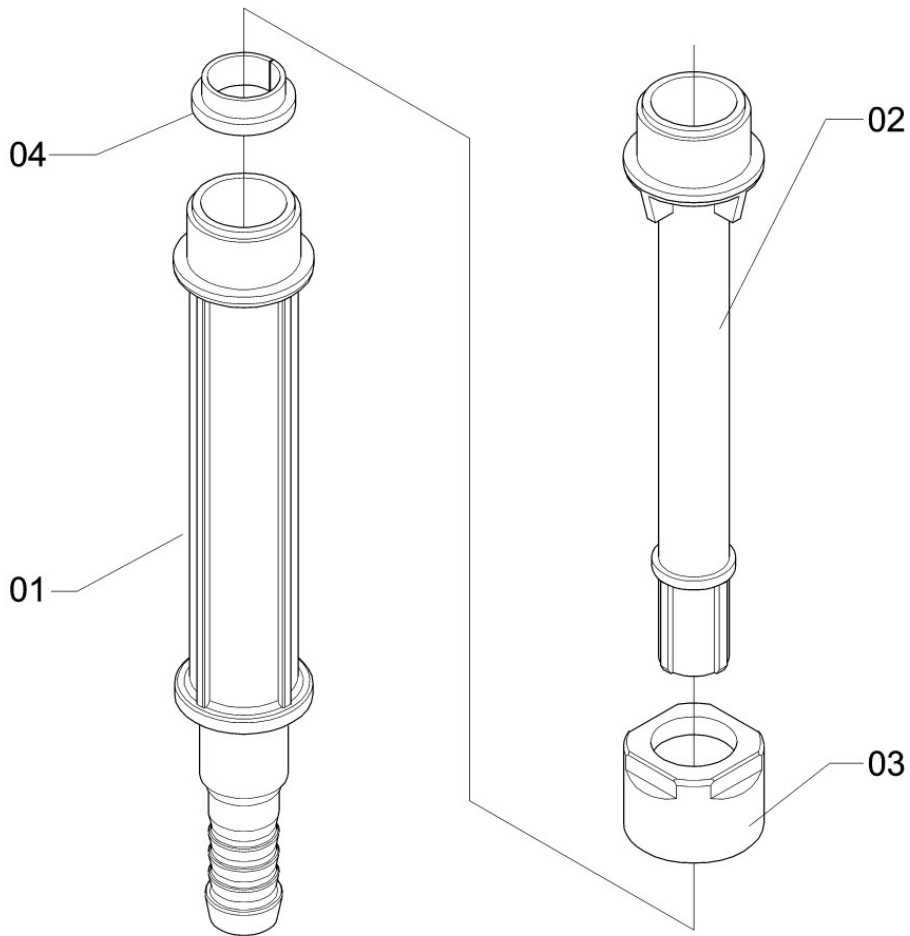


**CV-167**

| Item | CODE   | DESCRIPTION                                 | Qty. | Item | CODE | DESCRIPTION | Qty. |
|------|--------|---|------|------|------|-------------|------|
| 00   | 054395 | Directional valve                           | 1    |      |      |             |      |
| 01   | 044057 | Compression spring 12.7                     | 1    |      |      |             |      |
| 02   | 048199 | Seal  | 1    |      |      |             |      |
| 03   | 049858 | Lever pin                                   | 1    |      |      |             |      |
| 04   | 050187 | Flat washer 4.3 x 9 x 0.8 - stainless steel | 1    |      |      |             |      |
| 05   | 050195 | Flat washer 64 x 125 x 95 stainless steel   | 1    |      |      |             |      |
| 06   | 050211 | Screw M4 x 8                                | 1    |      |      |             |      |
| 07   | 050237 | O-ring OR2-108                              | 1    |      |      |             |      |
| 08   | 054403 | Valve body                                  | 1    |      |      |             |      |
| 09   | 054429 | Piston cup                                  | 1    |      |      |             |      |
| 10   | 054437 | Guide                                       | 1    |      |      |             |      |
| 11   | 054445 | Rinse nozzle lever                          | 1    |      |      |             |      |
| 12   | 054452 | Spring Guide Pin                            | 1    |      |      |             |      |

Controlled copy – Distribution and reproduction prohibited

## CHEMICAL CONTAINER RINSE NOZZLE ROD



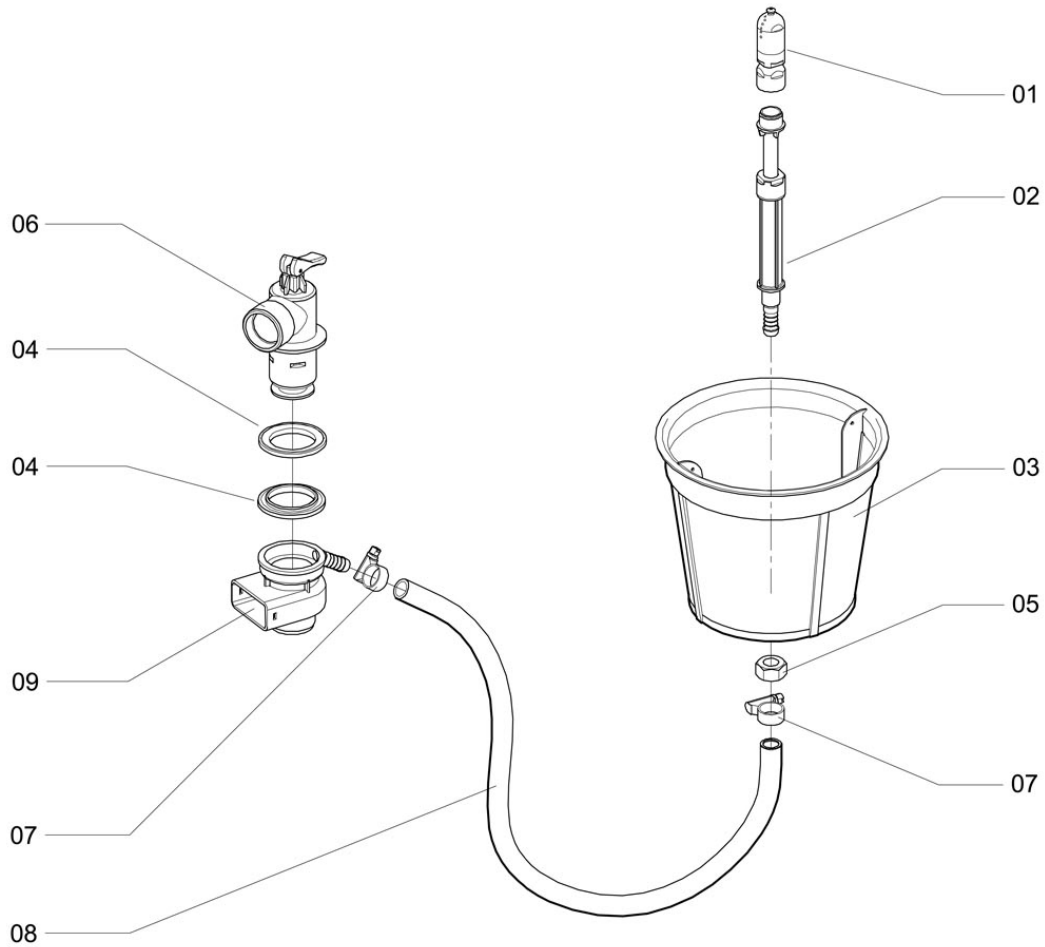
KIT-76

| Item | CODE   | DESCRIPTION                         | Qty. |
|------|--------|-------------------------------------|------|
| 00   | 088237 | Chemical container rinse nozzle rod | 1    |
| 01   | 058834 | Nozzle rod                          | 1    |
| 02   | 083907 | Rod extension                       | 1    |
| 03   | 087882 | Extension nut                       | 1    |
| 04   | 134221 | Lock ring                           | 1    |

| Item | CODE | DESCRIPTION | Qty. |
|------|------|-------------|------|
|      |      |             |      |



## CHEMICAL CONTAINER RINSE NOZZLE NO.4

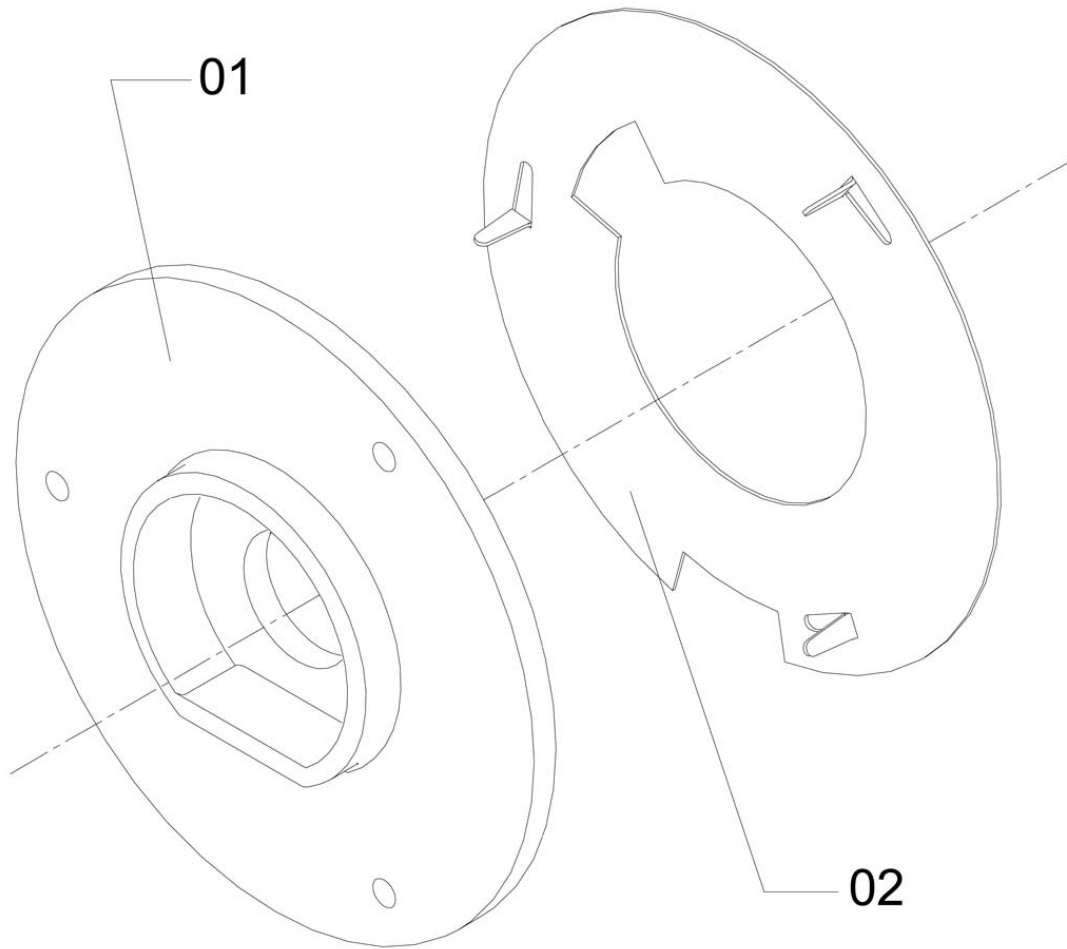


**KIT-166**

| Item | CODE   | DESCRIPTION                          | Qty. | Item | CODE | DESCRIPTION | Qty. |
|------|--------|--------------------------------------|------|------|------|-------------|------|
| 00   | 060434 | Chemical container rinse nozzle no.4 | 1    |      |      |             |      |
| 01   | 071944 | Chemical container rinse nozzle      | 1    |      |      |             |      |
| 02   | 088237 | Chemical container rinse nozzle rod  | 1    |      |      |             |      |
| 03   | 061788 | Strainer 190-2T                      | 1    |      |      |             |      |
| 04   | 088245 | Packing ring                         | 2    |      |      |             |      |
| 05   | 938498 | Hex. nut M16 x 2.00                  | 1    |      |      |             |      |
| 06   | 054395 | Directional valve                    | 1    |      |      |             |      |
| 07   | 107664 | Clamp D14-22 - stainless steel       | 2    |      |      |             |      |
| 08   | 071886 | Hose 12.7 (1/2") x 600               | 1    |      |      |             |      |
| 09   | 054411 | Valve fastener                       | 1    |      |      |             |      |

Controlled copy – Distribution and reproduction prohibited

**CONTACT DISC**



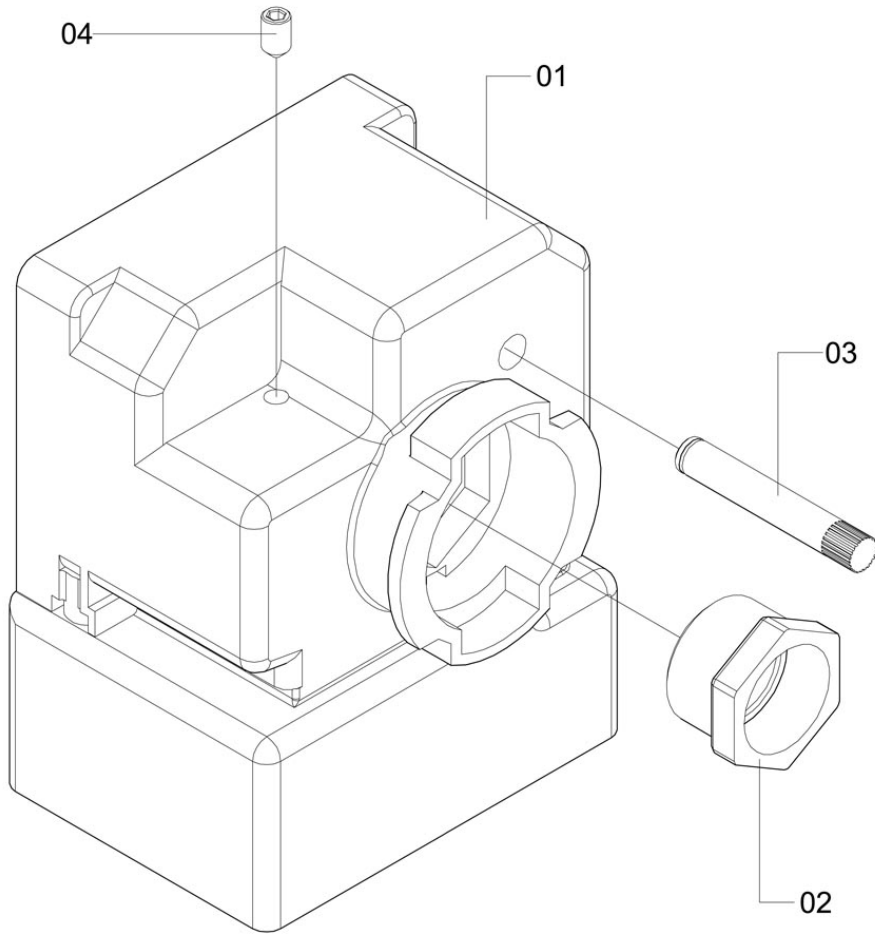
**CV-382**

| Item | CODE   | DESCRIPTION     | Qty. |
|------|--------|-----------------|------|
| 00   | 175737 | Contact disc    | 1    |
| 01   | 865931 | Contact support | 1    |
| 02   | 867051 | Contact disc    | 1    |

| Item | CODE | DESCRIPTION | Qty. |
|------|------|-------------|------|
|      |      |             |      |



# GEAR CASE WITH BUSHING

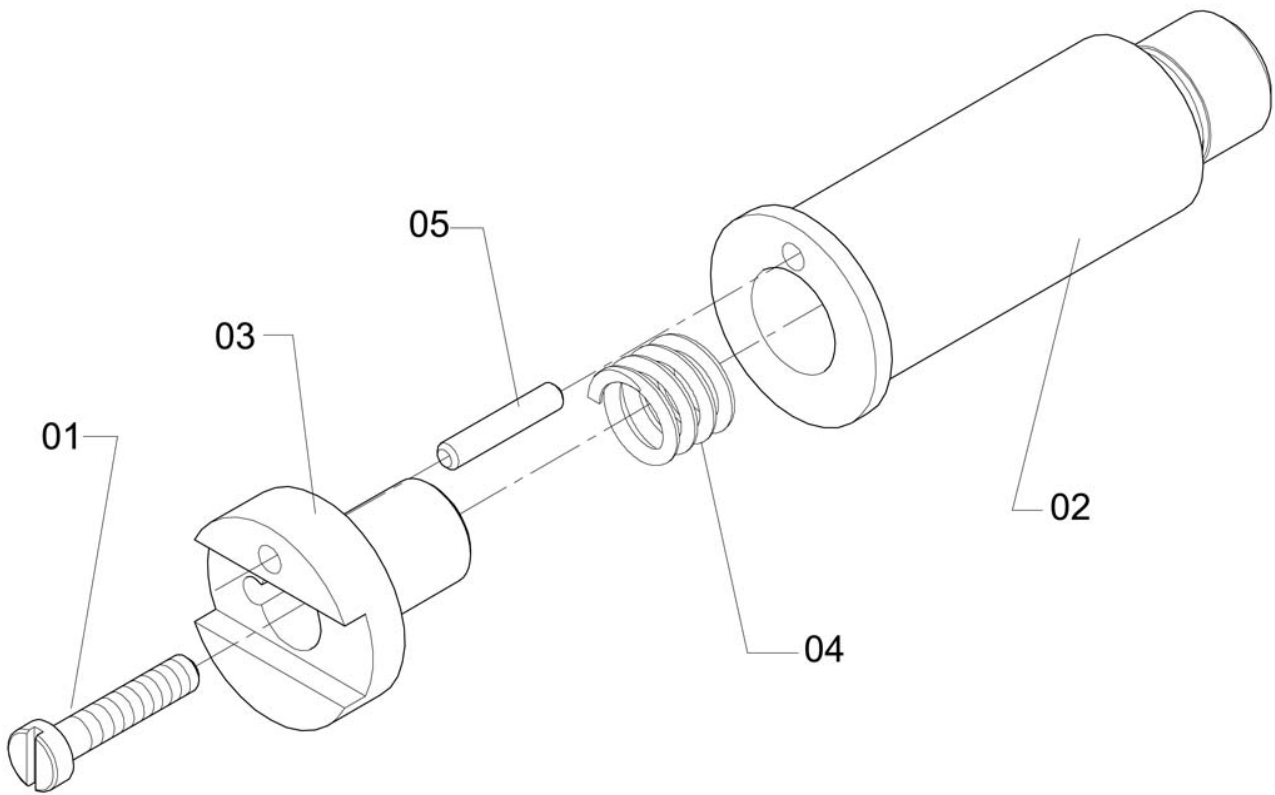


**CV-515**

| Item | CODE   | DESCRIPTION            | Qty. | Item | CODE | DESCRIPTION | Qty. |
|------|--------|------------------------|------|------|------|-------------|------|
| 00   | 172973 | Gear case with bushing | 1    |      |      |             |      |
| 01   | 049486 | Gear box               | 1    |      |      |             |      |
| 02   | 267773 | Gear box bushing       | 1    |      |      |             |      |
| 03   | 866046 | Gear shaft             | 1    |      |      |             |      |
| 04   | 997205 | Bolt M6 x 10 x 0.8     | 1    |      |      |             |      |

Controlled copy – Distribution and reproduction prohibited

# GEAR CASE SHAFT

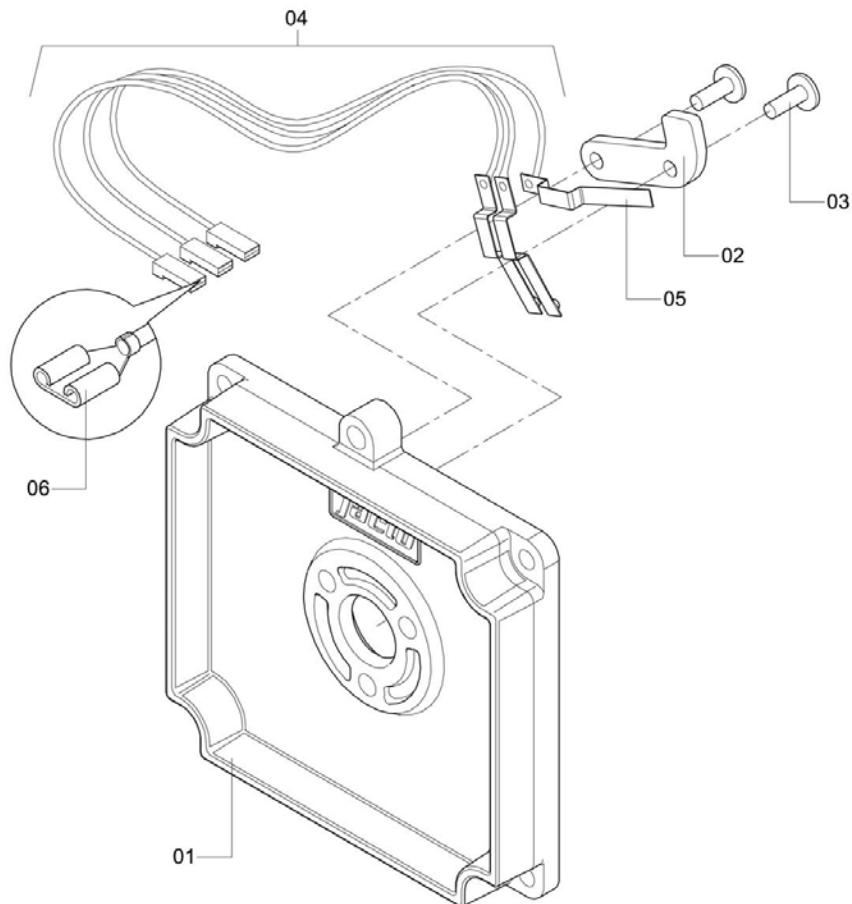


**CV-304**

| Item | CODE   | DESCRIPTION        | Qty. | Item | CODE | DESCRIPTION | Qty. |
|------|--------|--------------------|------|------|------|-------------|------|
| 00   | 867069 | Gear case shaft    | 1    |      |      |             |      |
| 01   | 071894 | Bolt M4 x 20 x 07  | 1    |      |      |             |      |
| 02   | 145490 | Shaft body         | 1    |      |      |             |      |
| 03   | 145508 | Shaft head         | 1    |      |      |             |      |
| 04   | 462572 | Compression spring | 1    |      |      |             |      |
| 05   | 693861 | Lever pin          | 1    |      |      |             |      |

Controlled copy – Distribution and reproduction prohibited

## GEAR CASE COVER ASSEMBLY

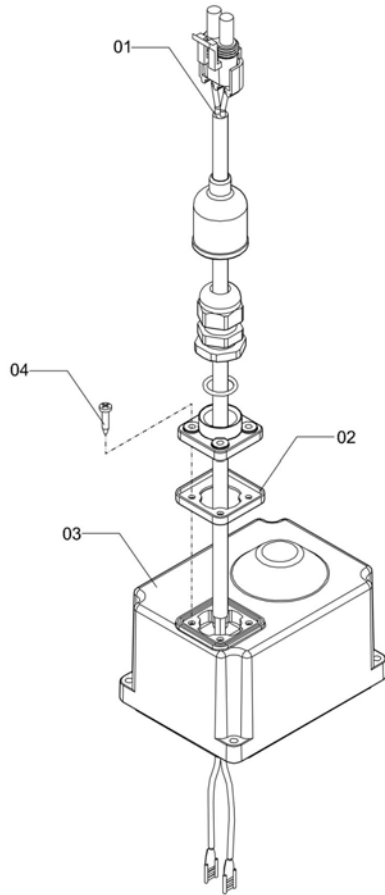


**CV-580**

| Item | CODE   | DESCRIPTION                   | Qty. | Item | CODE | DESCRIPTION | Qty. |
|------|--------|-------------------------------|------|------|------|-------------|------|
| 00   | 189803 | Gear case cover assembly      | 1    |      |      |             |      |
| 01   | 860148 | Gear case cover               | 1    |      |      |             |      |
| 02   | 860205 | Plate fastening support       | 1    |      |      |             |      |
| 03   | 997213 | Flanged head screw 3.5 x 10   | 2    |      |      |             |      |
| 04   | 015064 | Contact plate cable - tubings | 1    |      |      |             |      |
| 05   | 868422 | Contact plate                 | 3    |      |      |             |      |
| 06   | 442434 | Receptacle                    | 3    |      |      |             |      |

Controlled copy – Distribution and reproduction prohibited

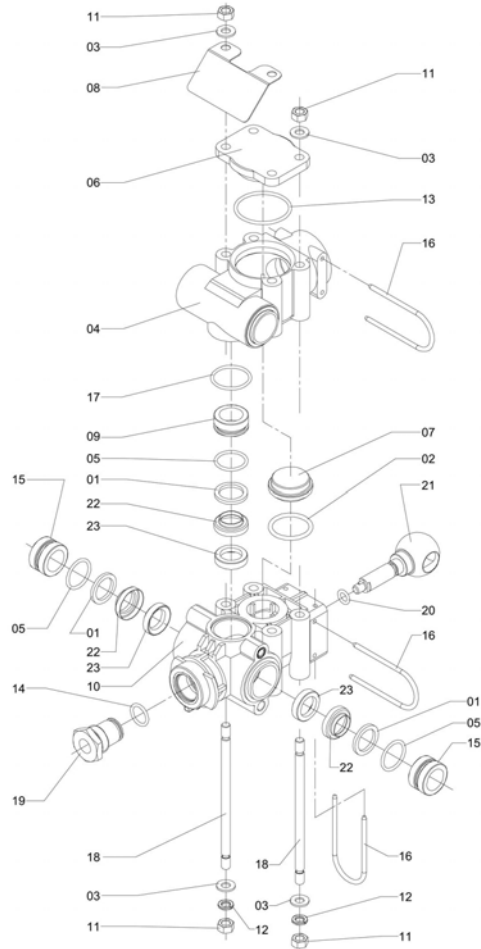
**COVER ASSEMBLY - QUICK RELIEF MOTOR**



**CV-514**

| Item | CODE   | DESCRIPTION                         | Qty. | Item | CODE | DESCRIPTION | Qty. |
|------|--------|-------------------------------------|------|------|------|-------------|------|
| 00   | 795294 | Cover assembly - quick relief motor | 1    |      |      |             |      |
| 01   | 583773 | Connecting cables - branches        | 1    |      |      |             |      |
| 02   | 306811 | Connector seal                      | 1    |      |      |             |      |
| 03   | 868273 | Engine cover                        | 1    |      |      |             |      |
| 04   | 997197 | Screw 3.0 x 16                      | 4    |      |      |             |      |

## QUICK RELIEF

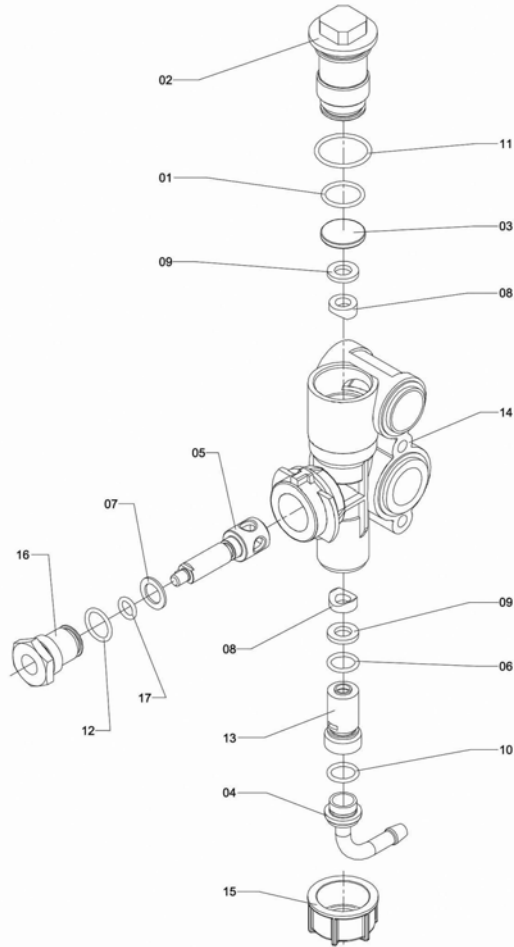


**CV-126**

| Item | CODE   | DESCRIPTION                     | Qty. | Item | CODE | DESCRIPTION | Qty. |
|------|--------|---------------------------------|------|------|------|-------------|------|
| 00   | 139337 | Quick relief                    | 1    |      |      |             |      |
| 01   | 010827 | Packing ring 29 x 22 x 3        | 3    |      |      |             |      |
| 02   | 011593 | O-ring OR1-219                  | 1    |      |      |             |      |
| 03   | 013433 | Flat washer 4.8 x 16 x 1.6 inox | 8    |      |      |             |      |
| 04   | 049494 | Quick relief body               | 1    |      |      |             |      |
| 05   | 106955 | O-ring OR1-120                  | 3    |      |      |             |      |
| 06   | 139345 | Quick Relief Cover              | 1    |      |      |             |      |
| 07   | 139352 | Valve seat                      | 1    |      |      |             |      |
| 08   | 144121 | Identification plate            | 1    |      |      |             |      |
| 09   | 165274 | Seat bushing                    | 1    |      |      |             |      |
| 10   | 165811 | Body base                       | 1    |      |      |             |      |
| 11   | 221648 | Nut M8 x 1.25 - stainless steel | 8    |      |      |             |      |
| 12   | 519736 | Lock washer                     | 4    |      |      |             |      |
| 13   | 735282 | O-ring OR2-225                  | 1    |      |      |             |      |
| 14   | 832857 | O-ring OR1-115                  | 1    |      |      |             |      |
| 15   | 860080 | Quick relief seat bushing       | 2    |      |      |             |      |
| 16   | 868372 | Nozzles U-shaped clamp          | 3    |      |      |             |      |
| 17   | 881839 | O-ring OR2-124                  | 1    |      |      |             |      |
| 18   | 945907 | Stud bolt M8 x 1.25 x 156       | 4    |      |      |             |      |
| 19   | 946079 | Core seat                       | 1    |      |      |             |      |
| 20   | 955617 | O-ring OR2-110                  | 1    |      |      |             |      |
| 21   | 974154 | Quick relief spherical core     | 1    |      |      |             |      |
| 22   | 982736 | Sleeve (teflon)                 | 3    |      |      |             |      |
| 23   | 982744 | Seal seat                       | 3    |      |      |             |      |

Controlled copy – Distribution and reproduction prohibited

## CONTROL BRANCH - ASSEMBLY

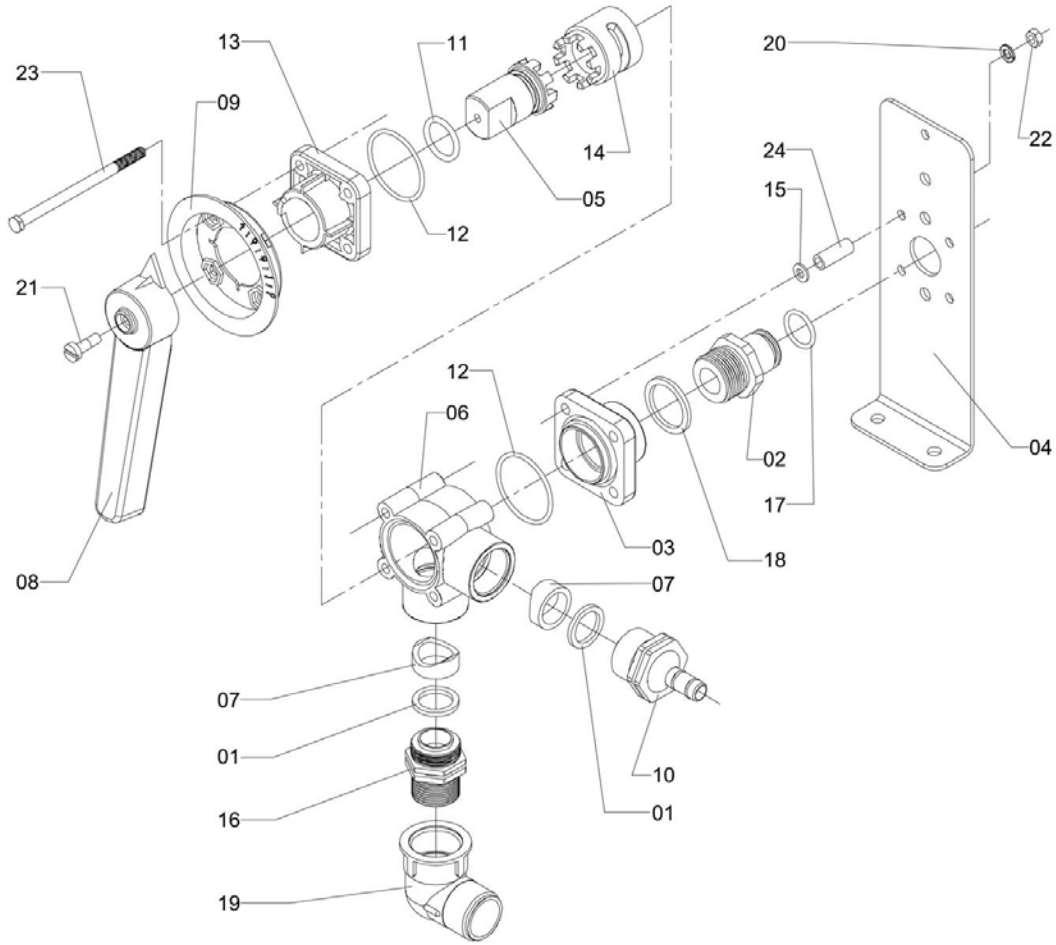


**CV-125**

| Item | CODE   | DESCRIPTION               | Qty. | Item | CODE | DESCRIPTION | Qty. |
|------|--------|---------------------------|------|------|------|-------------|------|
| 00   | 139311 | Control Branch - Assembly | 1    |      |      |             |      |
| 01   | 106955 | O-ring OR1-120            | 1    |      |      |             |      |
| 02   | 139261 | Fastener                  | 1    |      |      |             |      |
| 03   | 139329 | Cell                      | 1    |      |      |             |      |
| 04   | 144105 | Hose fitting 3/8"         | 1    |      |      |             |      |
| 05   | 148155 | Branch ball core with pin | 1    |      |      |             |      |
| 06   | 322057 | O-ring ORI-114            | 1    |      |      |             |      |
| 07   | 414748 | O-ring 22 x 1.5           | 1    |      |      |             |      |
| 08   | 414763 | Seal seat 18              | 2    |      |      |             |      |
| 09   | 414771 | O-ring 20 x 11 x 3.0      | 2    |      |      |             |      |
| 10   | 706796 | O-ring OR1-114            | 1    |      |      |             |      |
| 11   | 731521 | O-ring OR1 - 124          | 1    |      |      |             |      |
| 12   | 832857 | O-ring OR1-115            | 1    |      |      |             |      |
| 13   | 860064 | Outlet nipple bushing     | 1    |      |      |             |      |
| 14   | 860130 | Branch body               | 1    |      |      |             |      |
| 15   | 867044 | Nut for branch outlet     | 1    |      |      |             |      |
| 16   | 946079 | Core seat                 | 1    |      |      |             |      |
| 17   | 955617 | O-ring OR2-110            | 1    |      |      |             |      |

Controlled copy – Distribution and reproduction prohibited

# ELECTRIC CONTROL VALVE

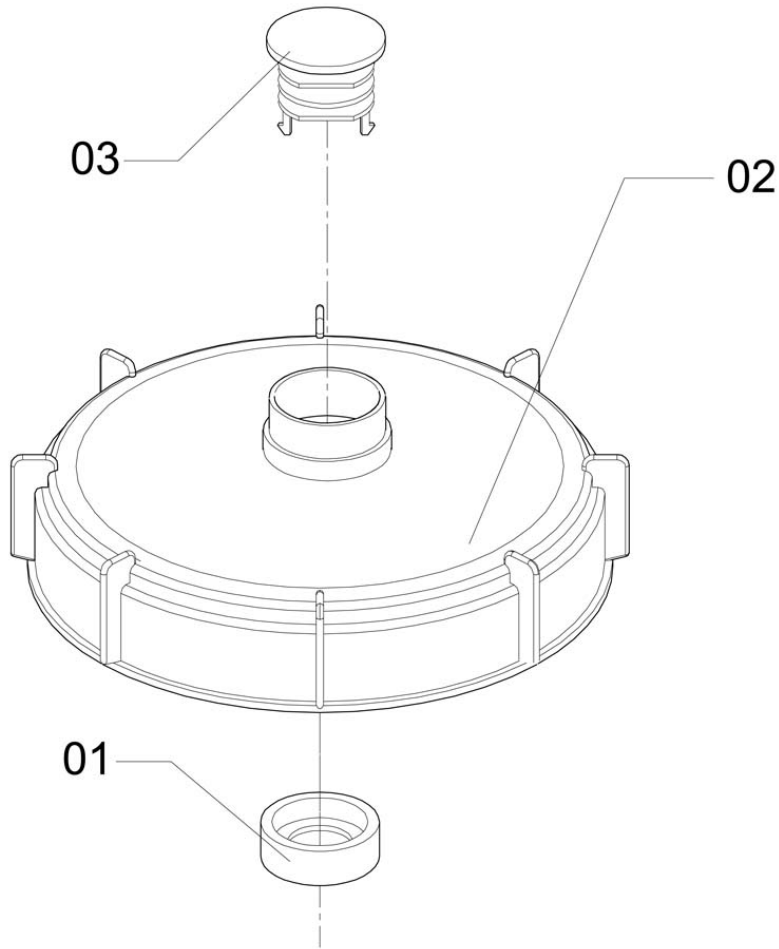


**CV-127**

| Item | CODE   | DESCRIPTION                           | Qty. | Item | CODE | DESCRIPTION | Qty. |
|------|--------|---------------------------------------|------|------|------|-------------|------|
| 00   | 140160 | Electric Control Valve                | 1    |      |      |             |      |
| 01   | 010827 | Packing ring 29 x 22 x 3              | 2    |      |      |             |      |
| 02   | 139279 | Quick 1" - BSP                        | 1    |      |      |             |      |
| 03   | 139303 | Cover                                 | 1    |      |      |             |      |
| 04   | 139360 | Support                               | 1    |      |      |             |      |
| 05   | 200048 | Valve rod                             | 1    |      |      |             |      |
| 06   | 200121 | Core body                             | 1    |      |      |             |      |
| 07   | 200139 | Packing ring seat 28 x 8              | 2    |      |      |             |      |
| 08   | 200204 | Setting lever                         | 1    |      |      |             |      |
| 09   | 212134 | Indicator                             | 1    |      |      |             |      |
| 10   | 212175 | Fitting 1/2" x 1" BSP                 | 1    |      |      |             |      |
| 11   | 216192 | O-ring OR1-213                        | 1    |      |      |             |      |
| 12   | 216200 | O-ring ORI-132                        | 2    |      |      |             |      |
| 13   | 322594 | Valve cover                           | 1    |      |      |             |      |
| 14   | 333724 | Regulator core                        | 1    |      |      |             |      |
| 15   | 358267 | Flat washer 64 x 125 x 16             | 4    |      |      |             |      |
| 16   | 517847 | Nipple 1 BSP                          | 1    |      |      |             |      |
| 17   | 531806 | O-ring OR1-117                        | 1    |      |      |             |      |
| 18   | 535062 | Packing ring 37.7 X 3.00              | 1    |      |      |             |      |
| 19   | 902817 | Male/female elbow 1" BSP x 90 degrees | 1    |      |      |             |      |
| 20   | 910117 | Lock washer 1/4"                      | 4    |      |      |             |      |
| 21   | 912642 | Screw 1/4" UNC x 5/8"                 | 1    |      |      |             |      |
| 22   | 912741 | Nut 1/4" - 20 UNC                     | 4    |      |      |             |      |
| 23   | 912808 | Hex. head bolt 1/4" - 20 UNC x 110    | 4    |      |      |             |      |
| 24   | 994772 | Spacer bushing 26                     | 4    |      |      |             |      |

Controlled copy – Distribution and reproduction prohibited

**LID WITH BREATHER**

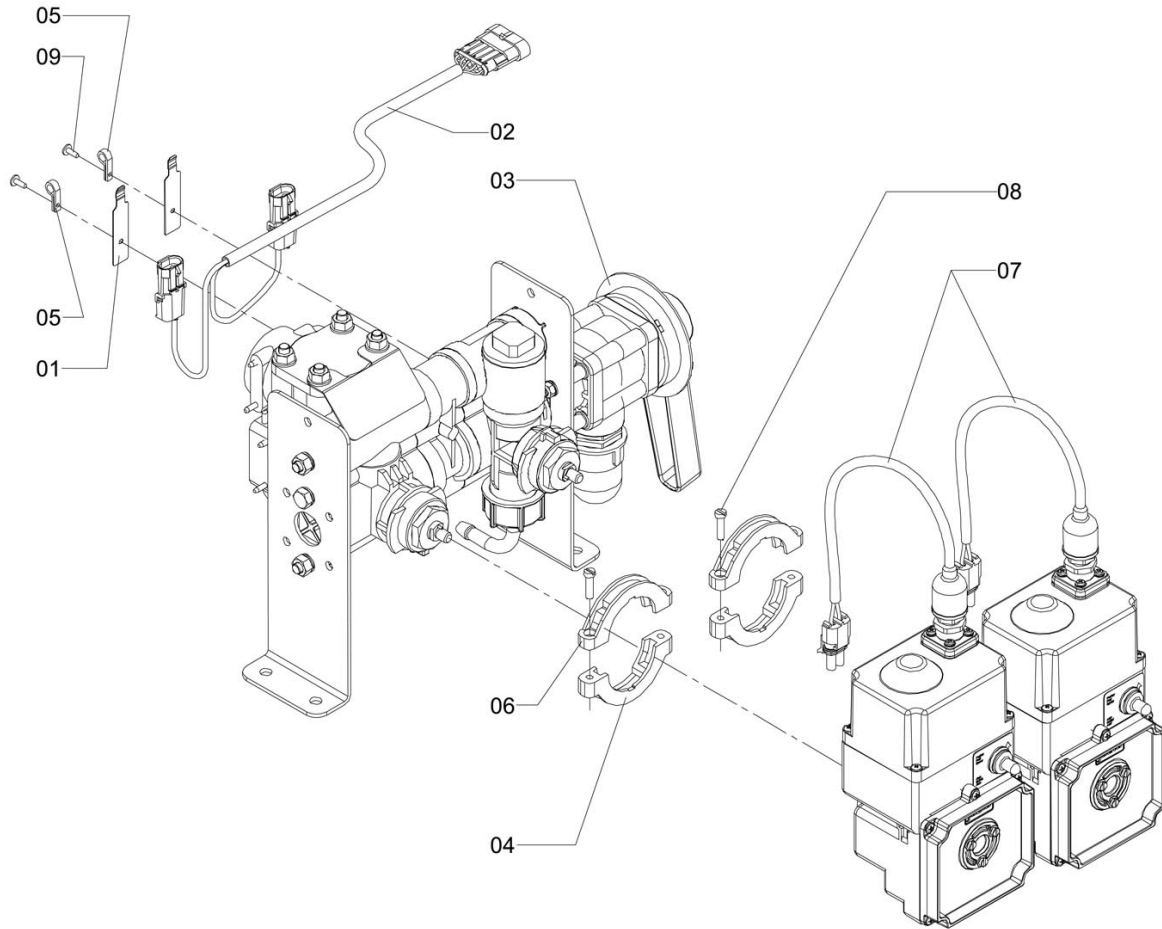


**D-101**

| Item | CODE   | DESCRIPTION       | Qty. | Item | CODE | DESCRIPTION | Qty. |
|------|--------|-------------------|------|------|------|-------------|------|
| 00   | 037374 | Lid with breather | 1    |      |      |             |      |
| 01   | 088419 | Labyrinth lock    | 1    |      |      |             |      |
| 02   | 233965 | Spray tank lid    | 1    |      |      |             |      |
| 03   | 088427 | Labyrinth         | 1    |      |      |             |      |



## ELECTRIC CONTROL AND COMPLEMENTS

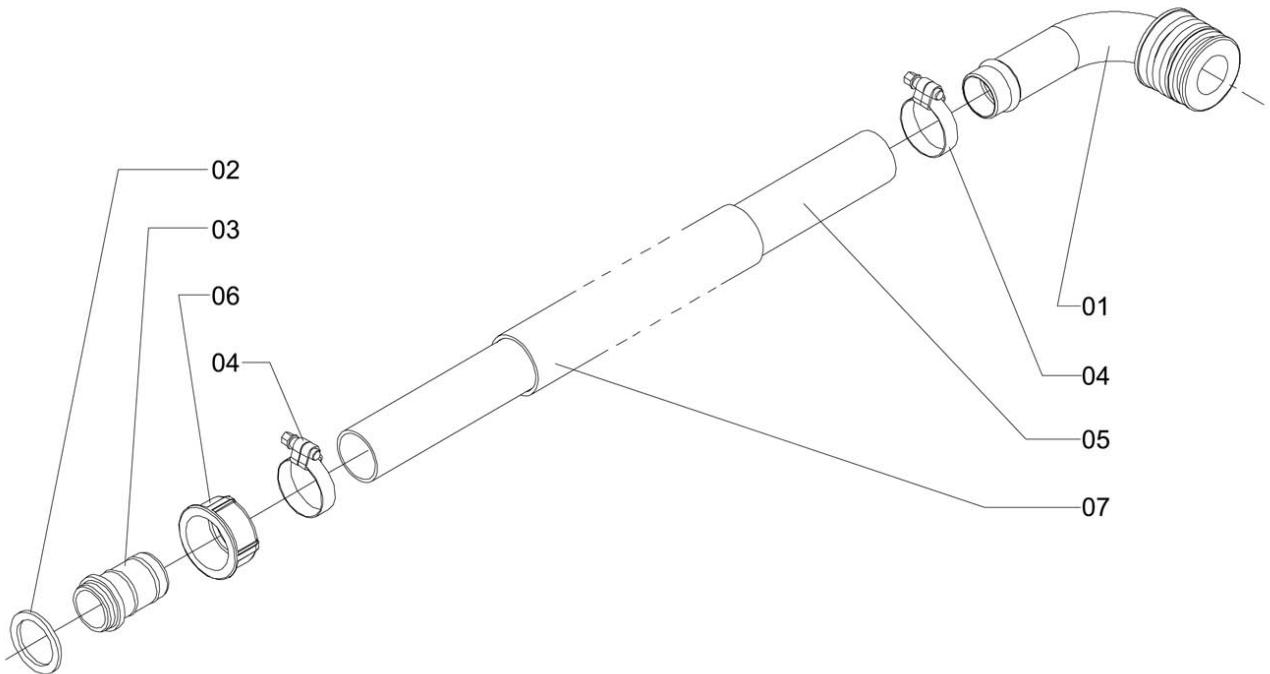


**CV-644**

| Item | CODE   | DESCRIPTION                             | Qty. | Item | CODE | DESCRIPTION | Qty. |
|------|--------|---|------|------|------|-------------|------|
| 00   | 139378 | Electric control and complements        | 1    |      |      |             |      |
| 01   | 471292 | Connector support                       | 2    |      |      |             |      |
| 02   | 148338 | Electric control cable                  | 1    |      |      |             |      |
| 03   | 321133 | Electrical control - Masterflow         | 1    |      |      |             |      |
| 05   | 849794 | Clamp N4                                | 2    |      |      |             |      |
| 06   | 865907 | Semi-clamp                              | 2    |      |      |             |      |
| 07   | 582254 | Quick relief reduction box and branches | 2    |      |      |             |      |
| 08   | 444810 | Screw M5 x 20 x 0.8                     | 4    |      |      |             |      |
| 09   | 997213 | Flanged head screw 3.5 x 10             | 2    |      |      |             |      |
|      | 008895 | Repair kit (Masterflow 2000)            | 1    |      |      |             |      |

Controlled copy – Distribution and reproduction prohibited

## HOSE - PUMP/CONTROL



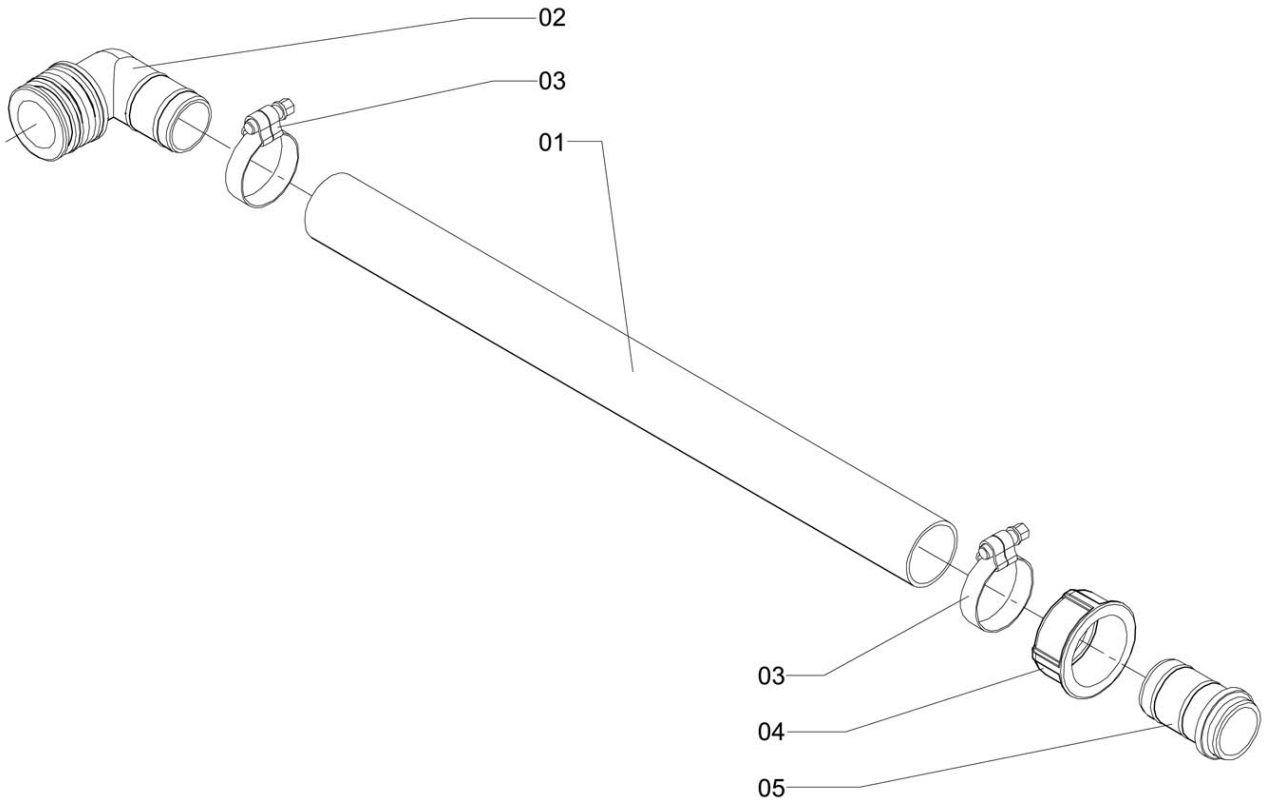
MD-059

| Item | CODE   | DESCRIPTION                      | Qty. | Item | CODE | DESCRIPTION | Qty. |
|------|--------|----------------------------------|------|------|------|-------------|------|
| 00   | 012609 | Hose - Pump/Control              | 1    |      |      |             |      |
| 01   | 989087 | Hose fitting 1"                  | 1    |      |      |             |      |
| 02   | 402412 | Lock washer 31 x 22.5 x 22.5/3.0 | 1    |      |      |             |      |
| 03   | 404434 | Hose fitting                     | 1    |      |      |             |      |
| 04   | 423814 | Clamp D22-32 - stainless steel   | 2    |      |      |             |      |
| 05   | 943092 | Flexible hose -1" x 2650mm       | 1    |      |      |             |      |
| 06   | 511733 | Round nut 1" BSP (40-45)         | 1    |      |      |             |      |
| 07   | 092528 | Blue hose AR - 38 (1.1/2") x 300 | 1    |      |      |             |      |

Controlled copy – Distribution and reproduction prohibited



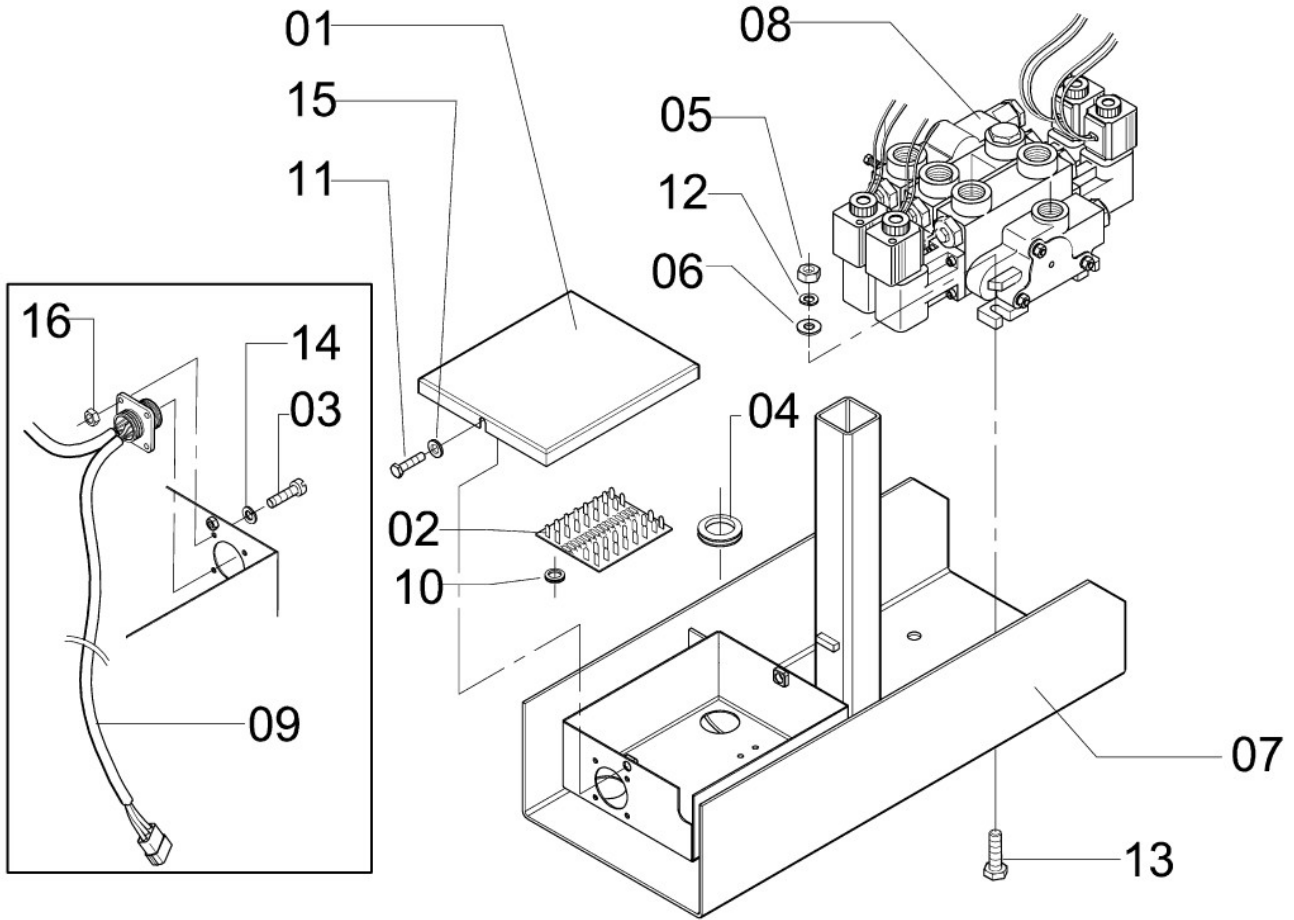
**HOSE - CONTROL/TANK**



**MD-058**

| Item | CODE   | DESCRIPTION                     | Qty. | Item | CODE | DESCRIPTION | Qty. |
|------|--------|---------------------------------|------|------|------|-------------|------|
| 00   | 012617 | Hose - Control/Tank             | 1    |      |      |             |      |
| 01   | 932103 | Hose 31.5 (1.1/4") x 800 - blue | 1    |      |      |             |      |
| 02   | 989053 | Elbow fitting 1.1/4" x 90°      | 1    |      |      |             |      |
| 03   | 330969 | Clamp D25-38 - stainless steel  | 2    |      |      |             |      |
| 04   | 005884 | Nut 1.1/4" BSP                  | 1    |      |      |             |      |
| 05   | 005892 | Fitting 31.8 (1.1/4") x 33      | 1    |      |      |             |      |

## HYDRAULIC CONTROL - ELECTRIC OPERATION

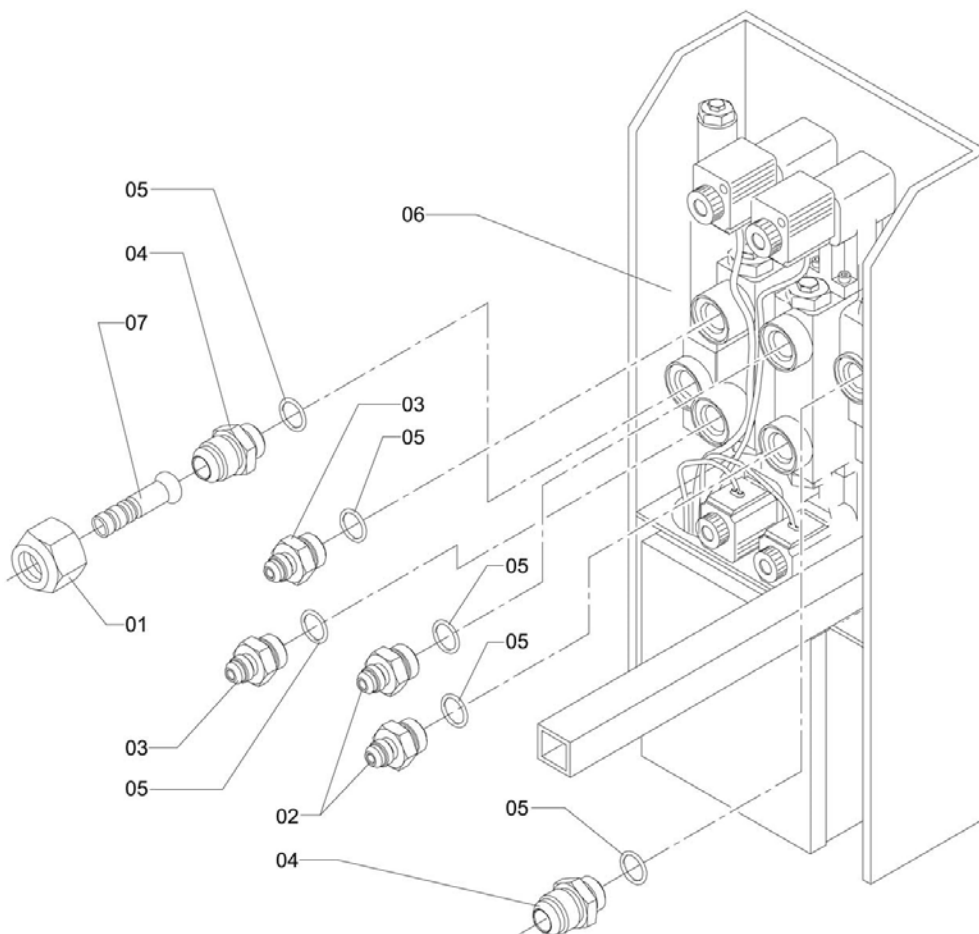


CE-79

| Item | CODE   | DESCRIPTION                                  | Qty. | Item | CODE | DESCRIPTION | Qty. |
|------|--------|--|------|------|------|-------------|------|
| 00   | 276667 | Hydraulic control - electric operation       | 1    |      |      |             |      |
| 01   | 054783 | Electric connection box cover                | 1    |      |      |             |      |
| 02   | 468504 | Electronic plate                             | 1    |      |      |             |      |
| 03   | 727669 | Bolt M4 x 12                                 | 4    |      |      |             |      |
| 04   | 762393 | Conjugate gear                               | 2    |      |      |             |      |
| 05   | 810770 | Hex. nut M-8 x 1.25                          | 3    |      |      |             |      |
| 06   | 881276 | Flat washer 8.7 x 20 x 1.2 - stainless steel | 3    |      |      |             |      |
| 07   | 149534 | Hydraulic control support                    | 1    |      |      |             |      |
| 08   | 276782 | Electric hydraulic control                   | 1    |      |      |             |      |
| 09   | 277889 | Intermediate cable - hydraulic control       | 1    |      |      |             |      |
| 10   | 441881 | Spacer 6                                     | 4    |      |      |             |      |
| 11   | 448019 | Hex. head bolt M6 x 12                       | 2    |      |      |             |      |
| 12   | 050195 | Flat washer 64 x 125 x 95 - stainless steel  | 2    |      |      |             |      |
| 13   | 519744 | Screw M8 x 40 x 1.25                         | 3    |      |      |             |      |
| 14   | 520700 | Lock washer 4.3 x 7.1 x 1                    | 4    |      |      |             |      |
| 15   | 521666 | Lock washer 5 - stainless steel              | 2    |      |      |             |      |
| 16   | 551523 | Hex. nut M-4 x 0.7 stainless steel           | 4    |      |      |             |      |

Controlled copy – Distribution and reproduction prohibited

## ELECTRICAL HYDRAULIC CONTROL WITH NIPPLE

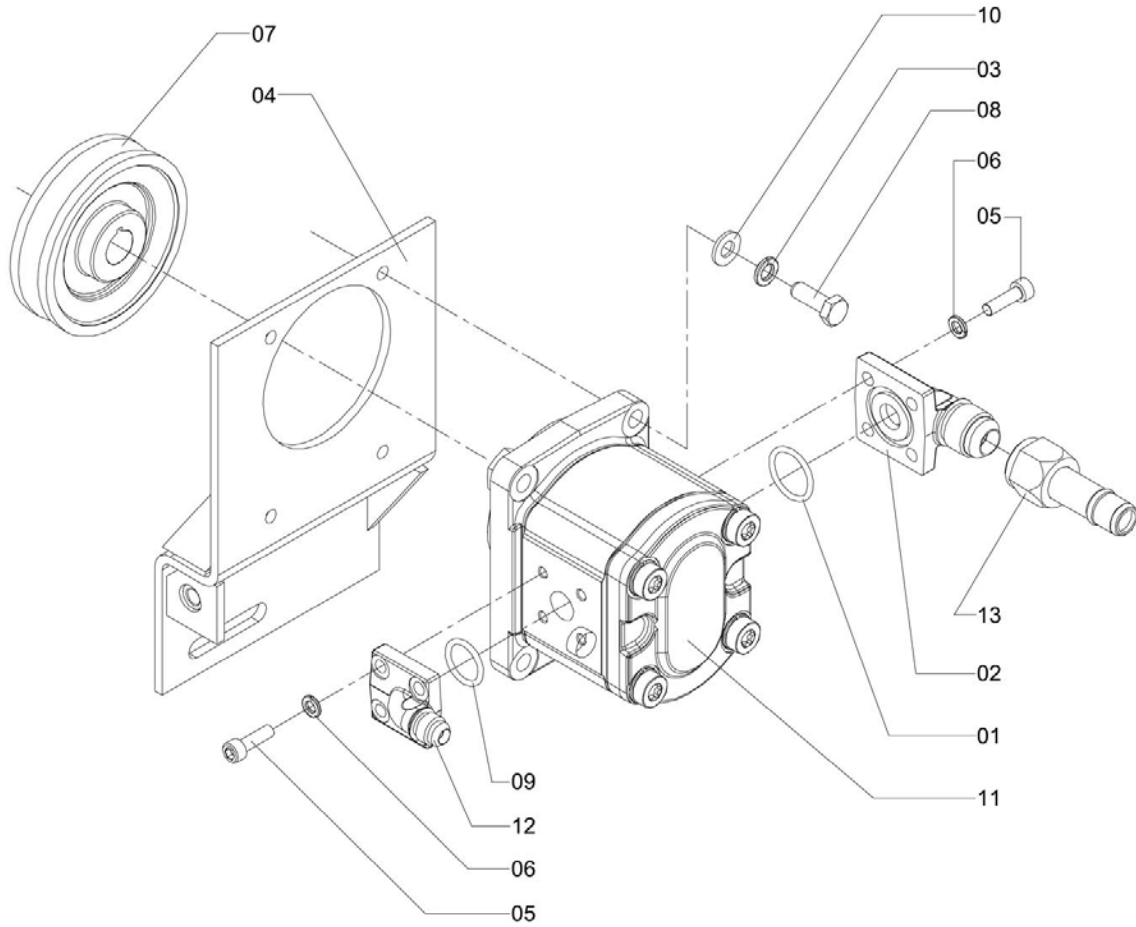


**CH-640**

| Item | CODE   | DESCRIPTION                              | Qty. |
|------|--------|--|------|
| 00   | 045970 | Electrical hydraulic control with nipple | 1    |
| 01   | 210237 | Hex. nut 9/16" - 18 UNF                  | 1    |
| 02   | 949495 | Dosage nipple 2 - 37                     | 2    |
| 03   | 949503 | Nipple 1/2" UNF x 3/4" UNF               | 2    |
| 04   | 210567 | Dosage nipple 9/16" UNF x 3/4" UNF       | 2    |
| 05   | 210823 | O-ring OR2-008                           | 6    |
| 06   | 276667 | Hydraulic control - electric operation   | 1    |
| 07   | 519835 | Elbow fitting 37 - BP 6                  | 1    |

| Item | CODE | DESCRIPTION | Qty. |
|------|------|-------------|------|
|      |      |             |      |
|      |      |             |      |
|      |      |             |      |
|      |      |             |      |
|      |      |             |      |
|      |      |             |      |
|      |      |             |      |
|      |      |             |      |
|      |      |             |      |
|      |      |             |      |

## DUCT ACTUATION CIRCUIT

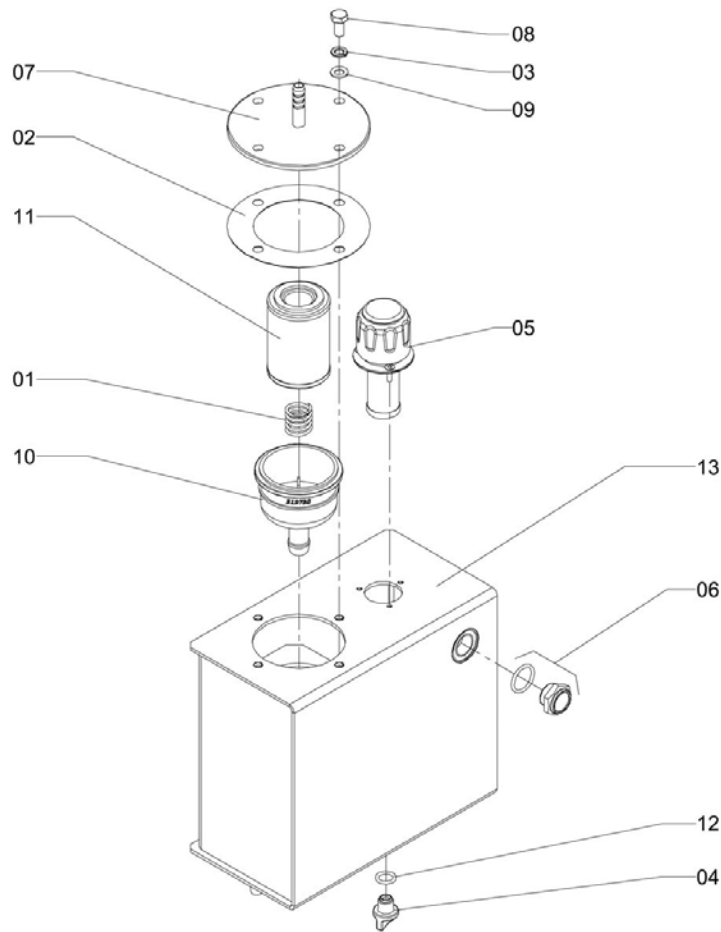


**CH-638**

| Item | CODE   | DESCRIPTION                     | Qty. | Item | CODE | DESCRIPTION | Qty. |
|------|--------|---------------------------------|------|------|------|-------------|------|
| 00   | 999789 | Duct actuation circuit          | 1    |      |      |             |      |
| 01   | 106955 | O-ring OR1-120                  | 1    |      |      |             |      |
| 02   | 211466 | Pump intake connection          | 1    |      |      |             |      |
| 03   | 519736 | Lock washer                     | 4    |      |      |             |      |
| 04   | 521641 | Pump support                    | 1    |      |      |             |      |
| 05   | 521658 | Screw M6 x 1 x 20 CL12.9        | 8    |      |      |             |      |
| 06   | 521666 | Lock washer 5 - stainless steel | 8    |      |      |             |      |
| 07   | 618363 | Pulley 91 - 1A                  | 1    |      |      |             |      |
| 08   | 912667 | Bolt 5/16" x 18 UNC x 7/8       | 4    |      |      |             |      |
| 09   | 110494 | O-ring OR1-116                  | 1    |      |      |             |      |
| 10   | 013433 | Flat washer 4.8 x 16 x 1.6 inox | 4    |      |      |             |      |
| 11   | 211318 | Hydraulic pump                  | 1    |      |      |             |      |
| 12   | 211458 | Pump outlet connection          | 1    |      |      |             |      |
| 13   | 823989 | Coupling end 37 BP-10           | 1    |      |      |             |      |

Controlled copy – Distribution and reproduction prohibited

## HYDRAULIC OIL RESERVOIR (4 LITERS)



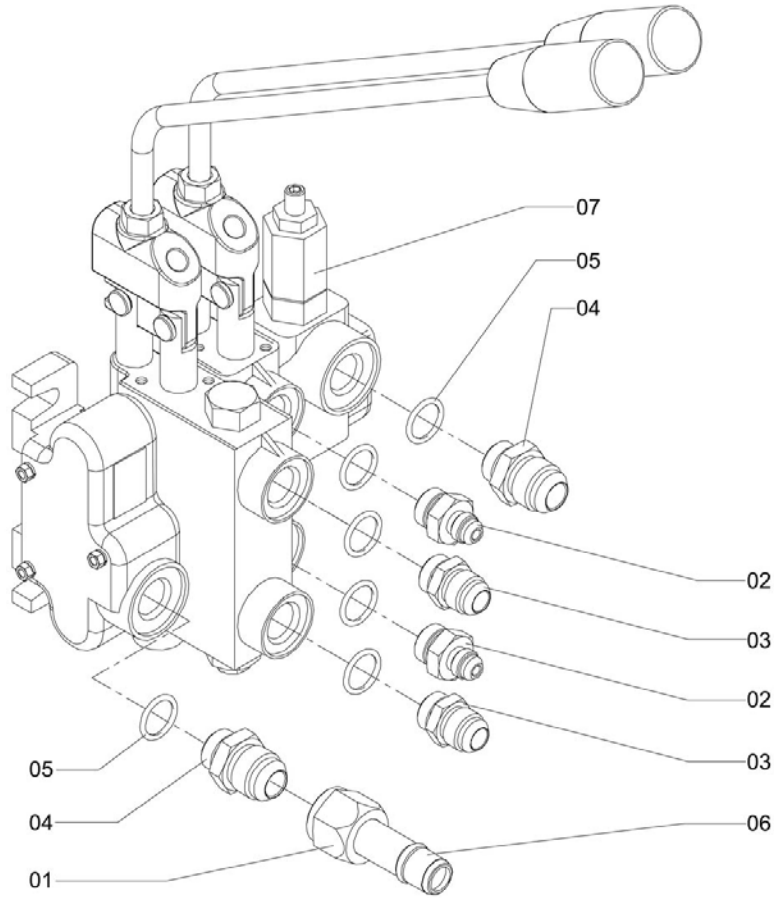
D-241

| Item | CODE   | DESCRIPTION                          | Qty. | Item | CODE | DESCRIPTION | Qty. |
|------|--------|--------------------------------------|------|------|------|-------------|------|
| 00   | 518878 | Hydraulic oil reservoir (4 liters)   | 1    |      |      |             |      |
| 01   | 212761 | Compression spring                   | 1    |      |      |             |      |
| 02   | 519710 | Packing ring 115 x 96 1.59           | 1    |      |      |             |      |
| 03   | 519736 | Lock washer                          | 4    |      |      |             |      |
| 04   | 520775 | Drain plug 1/4" BSP                  | 1    |      |      |             |      |
| 05   | 521047 | Air cleaner                          | 1    |      |      |             |      |
| 06   | 521351 | Oil sight 1/2" BSP with packing ring | 1    |      |      |             |      |
| 07   | 521518 | Filter cover                         | 1    |      |      |             |      |
| 08   | 637041 | Bolt 5/16" - 20 UNC x 5/8"           | 4    |      |      |             |      |
| 09   | 903575 | Sealing washer 15 x 1.2              | 4    |      |      |             |      |
| 10   | 212779 | Return filter cap                    | 1    |      |      |             |      |
| 11   | 213710 | Return filter                        | 1    |      |      |             |      |
| 12   | 325290 | O-ring OR1-112                       | 1    |      |      |             |      |
| 13   | 518886 | Hydraulic reservoir body             | 1    |      |      |             |      |

Controlled copy – Distribution and reproduction prohibited



## DIRECTIONAL CONTRL WITH NIPPLE

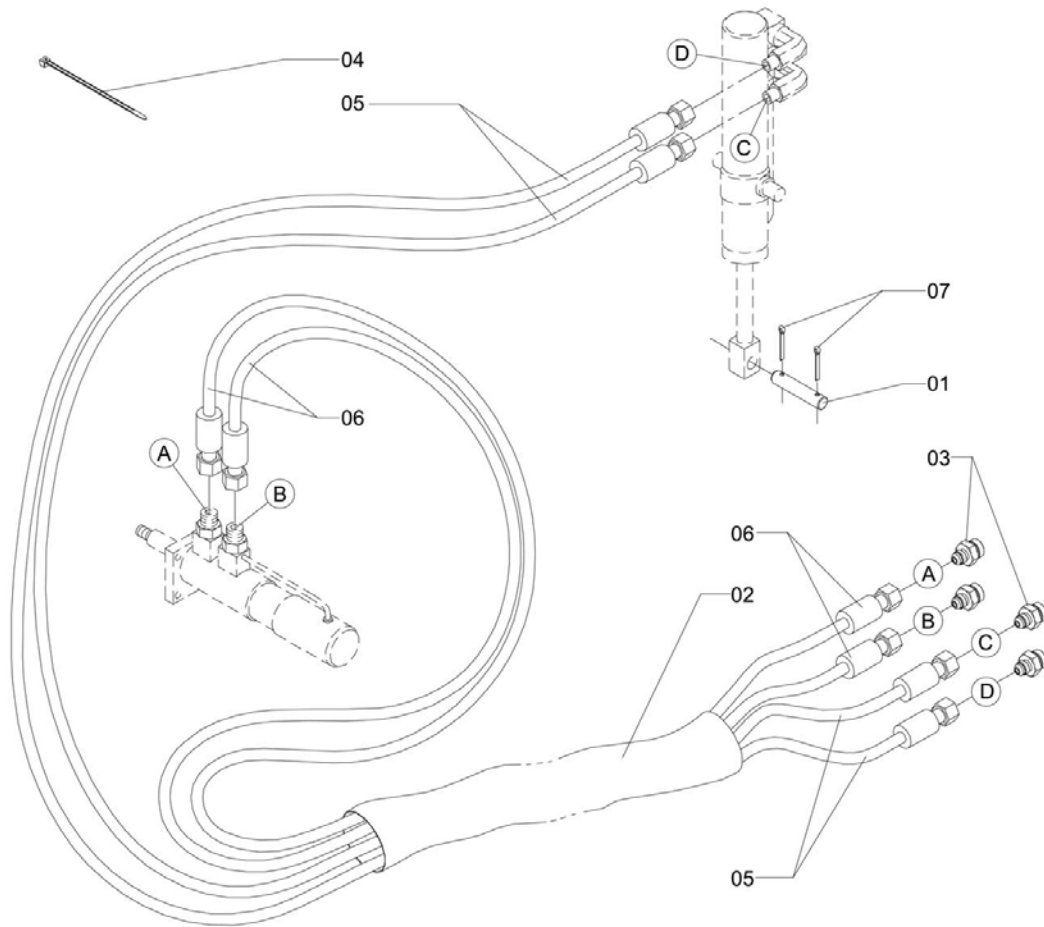


**CH-639**

| Item | CODE   | DESCRIPTION                               | Qty. | Item | CODE | DESCRIPTION | Qty. |
|------|--------|---|------|------|------|-------------|------|
| 00   | 045954 | Directional contrl with nipple            | 1    |      |      |             |      |
| 01   | 210237 | Hex. nut 9/16" - 18 UNF                   | 1    |      |      |             |      |
| 02   | 949495 | Dosage nipple 2 - 37                      | 2    |      |      |             |      |
| 03   | 949503 | Nipple 1/2" UNF x 3/4" UNF (37-008-0)     | 2    |      |      |             |      |
| 04   | 210567 | Dosage nipple 6.00 - 9/16" UNF x 3/4" UNF | 2    |      |      |             |      |
| 05   | 210823 | O-ring OR2-008                            | 6    |      |      |             |      |
| 06   | 519835 | Elbow fitting 37 - BP 6                   | 1    |      |      |             |      |
| 07   | 732156 | Directional control                       | 1    |      |      |             |      |

Controlled copy – Distribution and reproduction prohibited

## DUCT ACTUATION CIRCUIT (CHT)

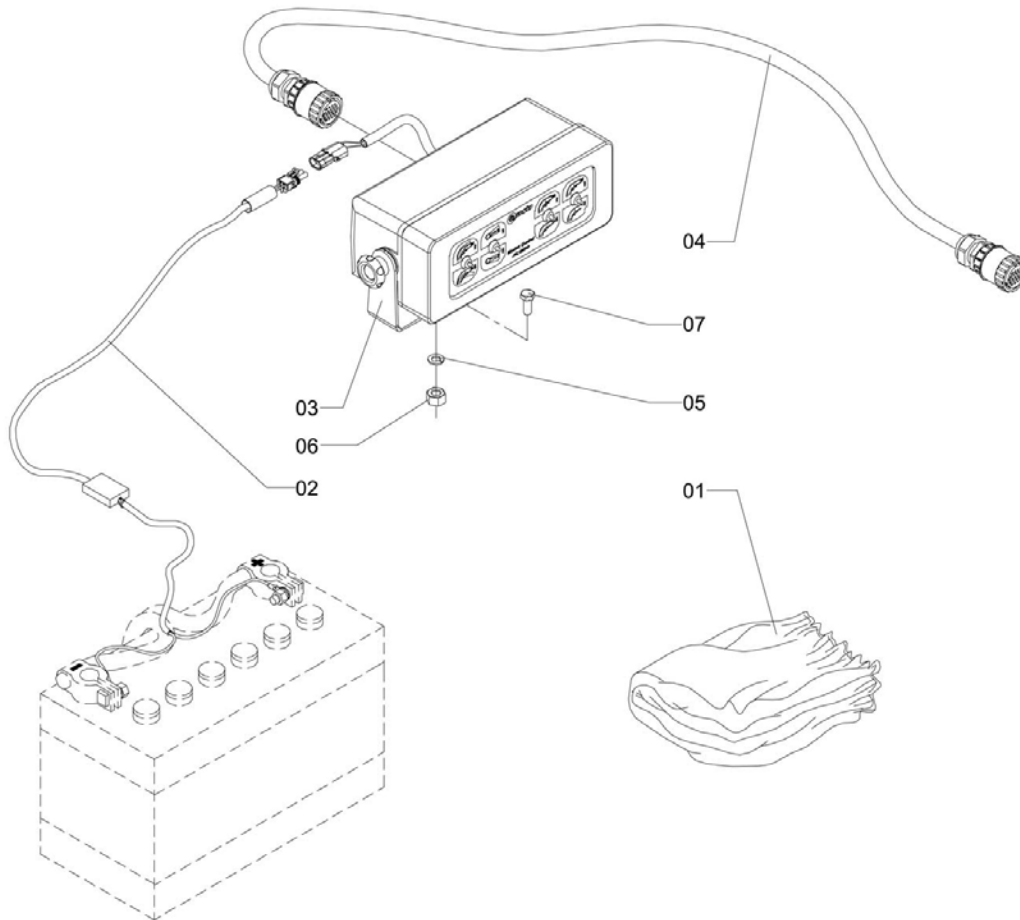


**CH-635**

| Item | CODE   | DESCRIPTION                  | Qty. | Item | CODE | DESCRIPTION | Qty. |
|------|--------|------------------------------|------|------|------|-------------|------|
| 00   | 339275 | Duct actuation circuit (CHT) | 1    |      |      |             |      |
| 01   | 520015 | Joint pin                    | 1    |      |      |             |      |
| 02   | 520379 | Protective hose 4" x 1050    | 1    |      |      |             |      |
| 03   | 228940 | Dosage nipple 4.00 - 37      | 4    |      |      |             |      |
| 04   | 323584 | Hose tie                     | 2    |      |      |             |      |
| 05   | 339283 | Hose MHMP-04-1/4" X 4100     | 2    |      |      |             |      |
| 06   | 339291 | Pressure hose 1/4" x 3000    | 2    |      |      |             |      |
| 07   | 808451 | Cotter pin 2.38 x 19.05      | 2    |      |      |             |      |

Controlled copy – Distribution and reproduction prohibited

## ACCESORIES BOX (JS-600 EL)

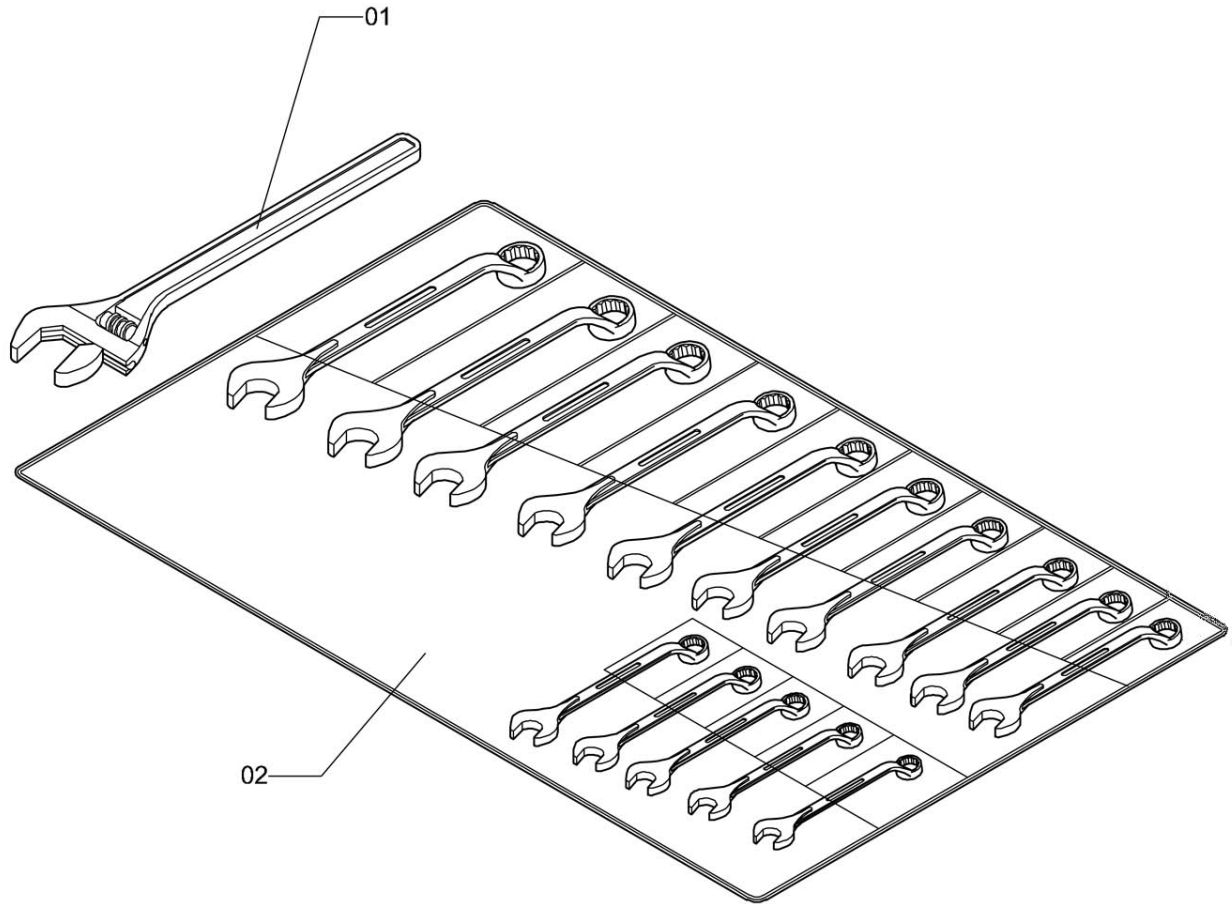


CXA-494

| Item | CODE   | DESCRIPTION                           | Qty. | Item | CODE | DESCRIPTION | Qty. |
|------|--------|---------------------------------------|------|------|------|-------------|------|
| 00   | 287367 | Accesories box (JS-600 EL)            | 1    |      |      |             |      |
| 01   | 065177 | Computer protective cap               | 1    |      |      |             |      |
| 02   | 982248 | Feed cable                            | 1    |      |      |             |      |
| 03   | 278515 | JEC-2500 computer                     | 1    |      |      |             |      |
| 04   | 287375 | Panel connection cable                | 1    |      |      |             |      |
| 05   | 519736 | Lock washer                           | 2    |      |      |             |      |
| 06   | 810770 | Hex. nut M-8 x 1.25                   | 2    |      |      |             |      |
| 07   | 829374 | Hex. head bolt M8 x 20 x 1.25 -cl 8.8 | 2    |      |      |             |      |

Controlled copy – Distribution and reproduction prohibited

**ASSEMBLY - COMBINATION WRENCH + SCREW WRENCH (FOR EXPORT)**

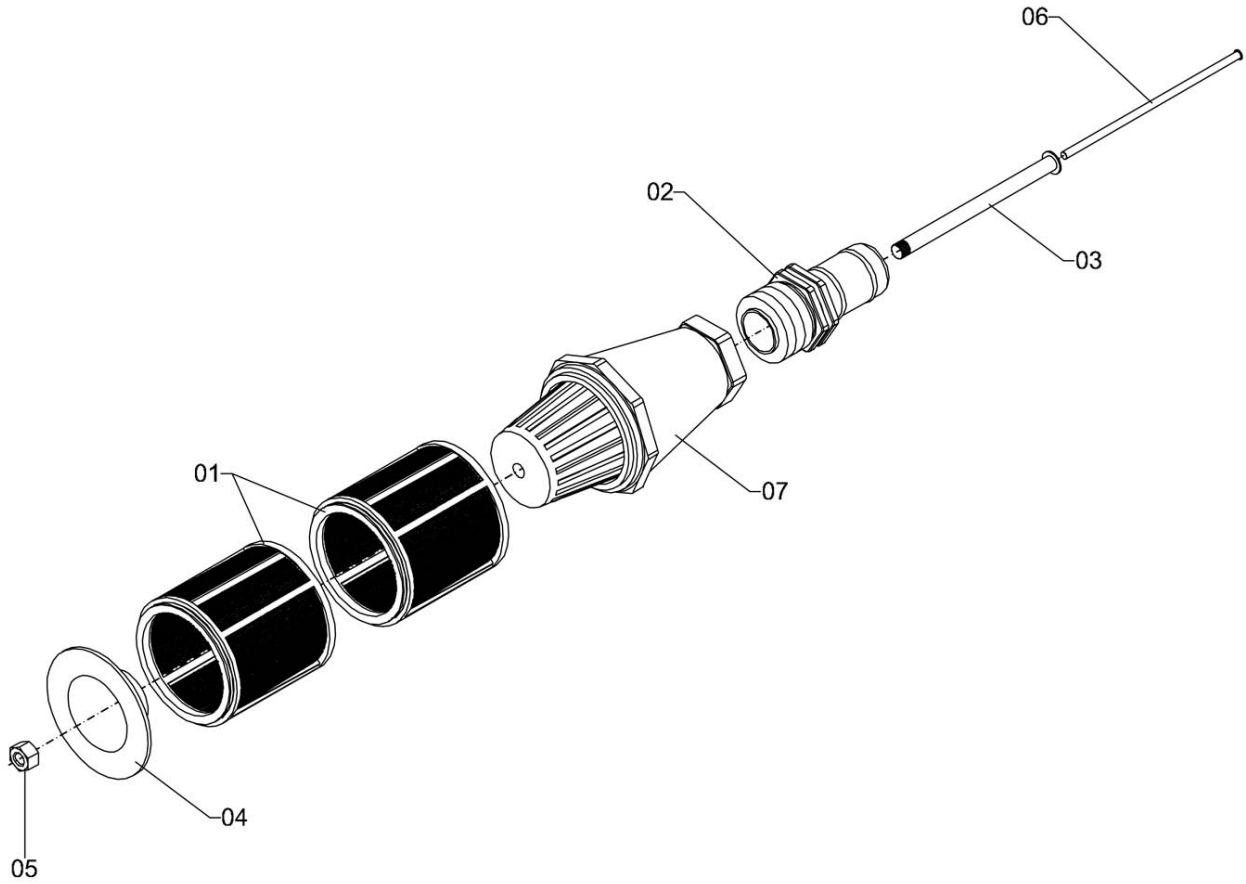


**CXA-140**

| Item | CODE   | DESCRIPTION   | Qty. | Item | CODE | DESCRIPTION | Qty. |
|------|--------|---|------|------|------|-------------|------|
| 00   | 489211 | Assembly - combination wrench + screw wrench (for export) | 1    |      |      |             |      |
| 01   | 489260 | Screw wrench 18" (for export)                             | 1    |      |      |             |      |
| 02   | 489229 | Combined wrench kit "ROBUST" (for export)                 | 1    |      |      |             |      |

Controlled copy – Distribution and reproduction prohibited

# FILTERING VALVE ASSEMBLY



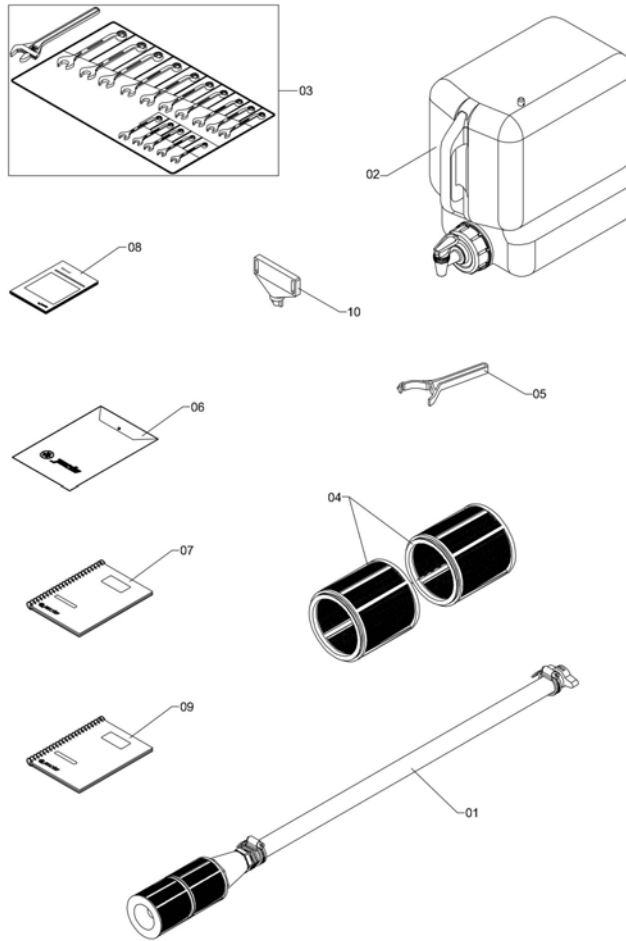
**ELP-365**

| Item | CODE   | DESCRIPTION              | Qty. | Item | CODE | DESCRIPTION | Qty. |
|------|--------|--------------------------|------|------|------|-------------|------|
| 00   | 323873 | Filtering valve assembly | 1    |      |      |             |      |
| 01   | 012476 | Filtering element        | 2    |      |      |             |      |
| 02   | 404459 | Hose fitting 1" x 1" BSP | 1    |      |      |             |      |
| 03   | 537332 | Element stud bolt        | 1    |      |      |             |      |
| 04   | 537340 | Cover - filling hose     | 1    |      |      |             |      |
| 05   | 537357 | Hex. nut 7/32" BSW       | 1    |      |      |             |      |
| 06   | 537365 | Pin 120                  | 1    |      |      |             |      |
| 07   | 909986 | Foot valve               | 1    |      |      |             |      |

Controlled copy – Distribution and reproduction prohibited



## ACCESSORIES BOX

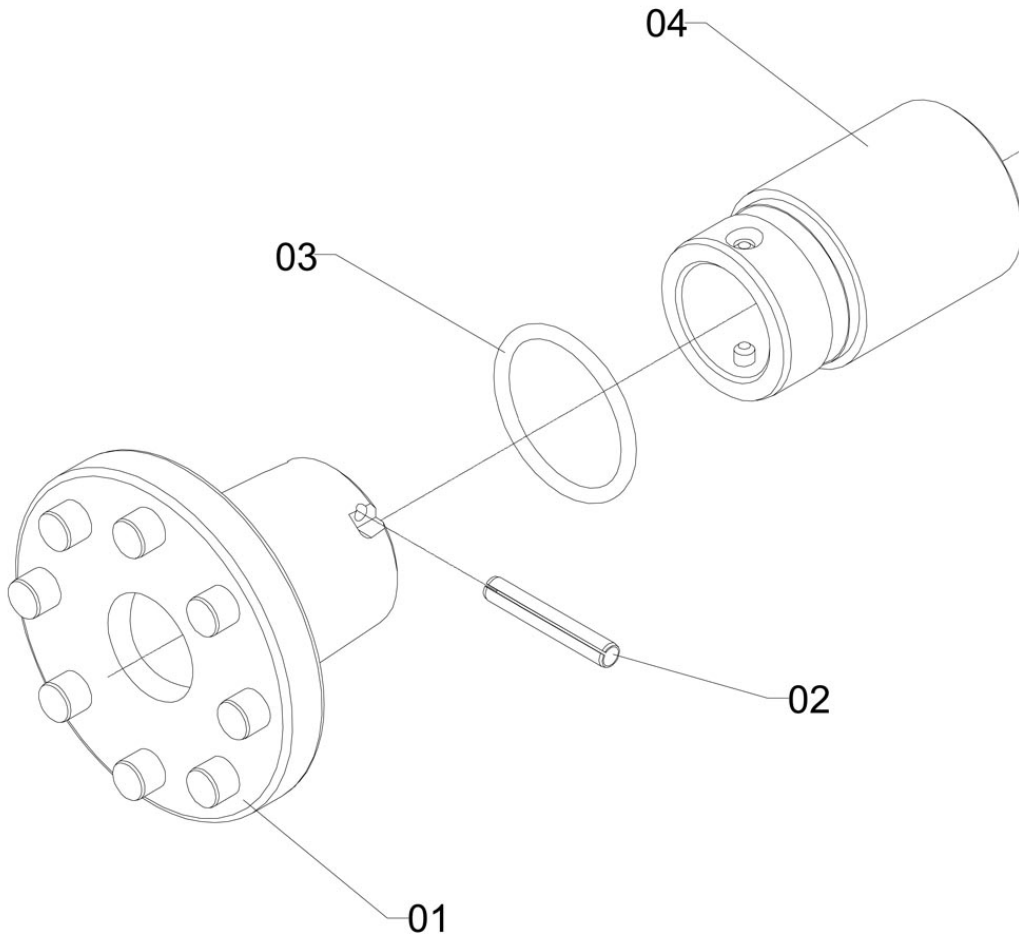


**CXA-493**

| Item | CODE    | DESCRIPTION   | Qty. | Item | CODE | DESCRIPTION | Qty. |
|------|---------|---|------|------|------|-------------|------|
| 00   | 079474  | Accessories box   | 1    |      |      |             |      |
| 01   | 216226  | Filling hose  | 1    |      |      |             |      |
| 02   | 299768  | 15-liter tank assembly  | 1    |      |      |             |      |
| 03   | 489211  | Assembly - combination wrench + screw wrench (for export)     | 1    |      |      |             |      |
| 04   | 613604  | Double filtering element                                      | 1    |      |      |             |      |
| 05   | 703694  | Key 40-45   | 1    |      |      |             |      |
| 06   | 867127  | Plastic folder  | 1    |      |      |             |      |
| 07   | 127134  | Operator's manual "Jacto Super 600"                           | 1    |      |      |             |      |
| 07A  | 752923  | Operator's manual "JS-600 Spanish"                            | 1    |      |      |             |      |
| 07B  | 767533  | Operator's manual (JS-600 - english)                          | 1    |      |      |             |      |
| 07C  | 513168  | Operator's manual - J600 USA                                  | 1    |      |      |             |      |
| 08   | 136929  | Instructions manual - Container rinse nozzle                  | 1    |      |      |             |      |
| 08A  | 140202  | Operator's manual - Chemical container rinse nozzle - Spanish | 1    |      |      |             |      |
| 08B  | 158576  | Operator's manual-Chemical container rinse nozzle             | 1    |      |      |             |      |
| 08C  | 907212  | Operator's manual (Chemical container rinse nozzle - USA)     | 1    |      |      |             |      |
| 09   | 853093  | Operator's manual - nozzles                                   | 1    |      |      |             |      |
| 09A  | 864199  | Operator's manual (Nozzles guideline - Spanish)               | 1    |      |      |             |      |
| 09B  | 697912  | Jacto nozzles guide (English)                                 | 1    |      |      |             |      |
| 09C  | 938381  | Nozzle guide MI "USA"   | 1    |      |      |             |      |
| 10   | 1177696 | Universal key   | 1    |      |      |             |      |

Controlled copy – Distribution and reproduction prohibited

**GROOVED HUB WITH HITCH**



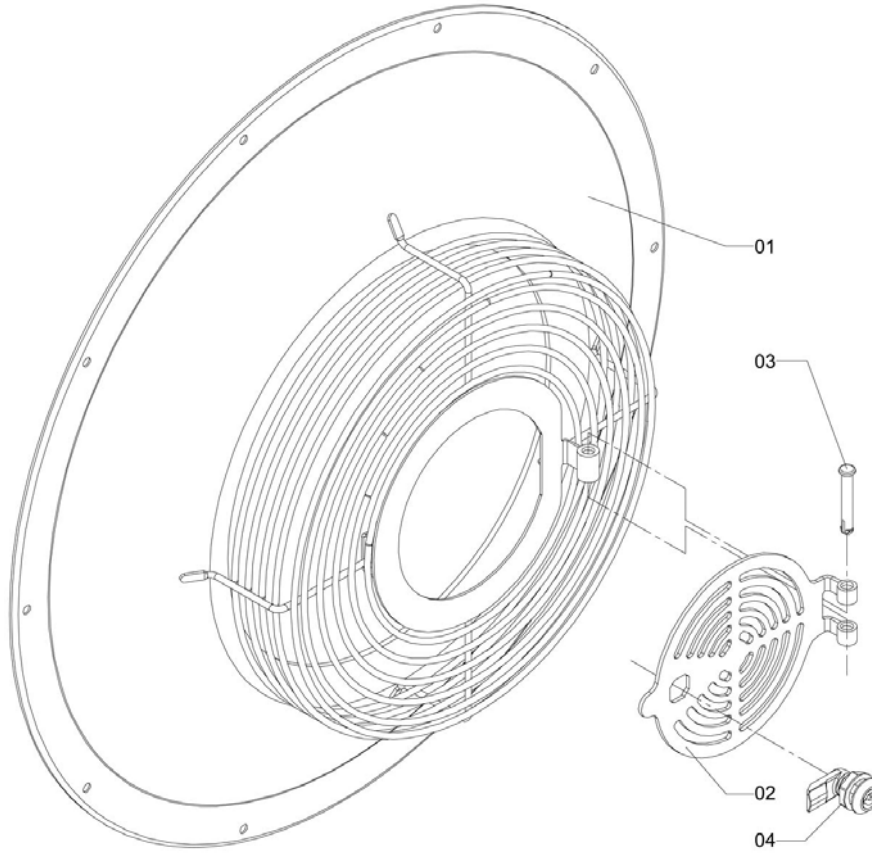
**TMV-52**

| Item | CODE   | DESCRIPTION            | Qty. | Item | CODE | DESCRIPTION | Qty. |
|------|--------|------------------------|------|------|------|-------------|------|
| 00   | 177055 | Grooved hub with hitch | 1    |      |      |             |      |
| 01   | 018713 | Grooved hub with pins  | 1    |      |      |             |      |
| 02   | 427567 | Flexible pin 5 x 32    | 1    |      |      |             |      |
| 03   | 011643 | O-ring ORI-129         | 1    |      |      |             |      |
| 04   | 201103 | Coupling hub           | 1    |      |      |             |      |

Controlled copy – Distribution and reproduction prohibited



# FAN HOUSING COVER

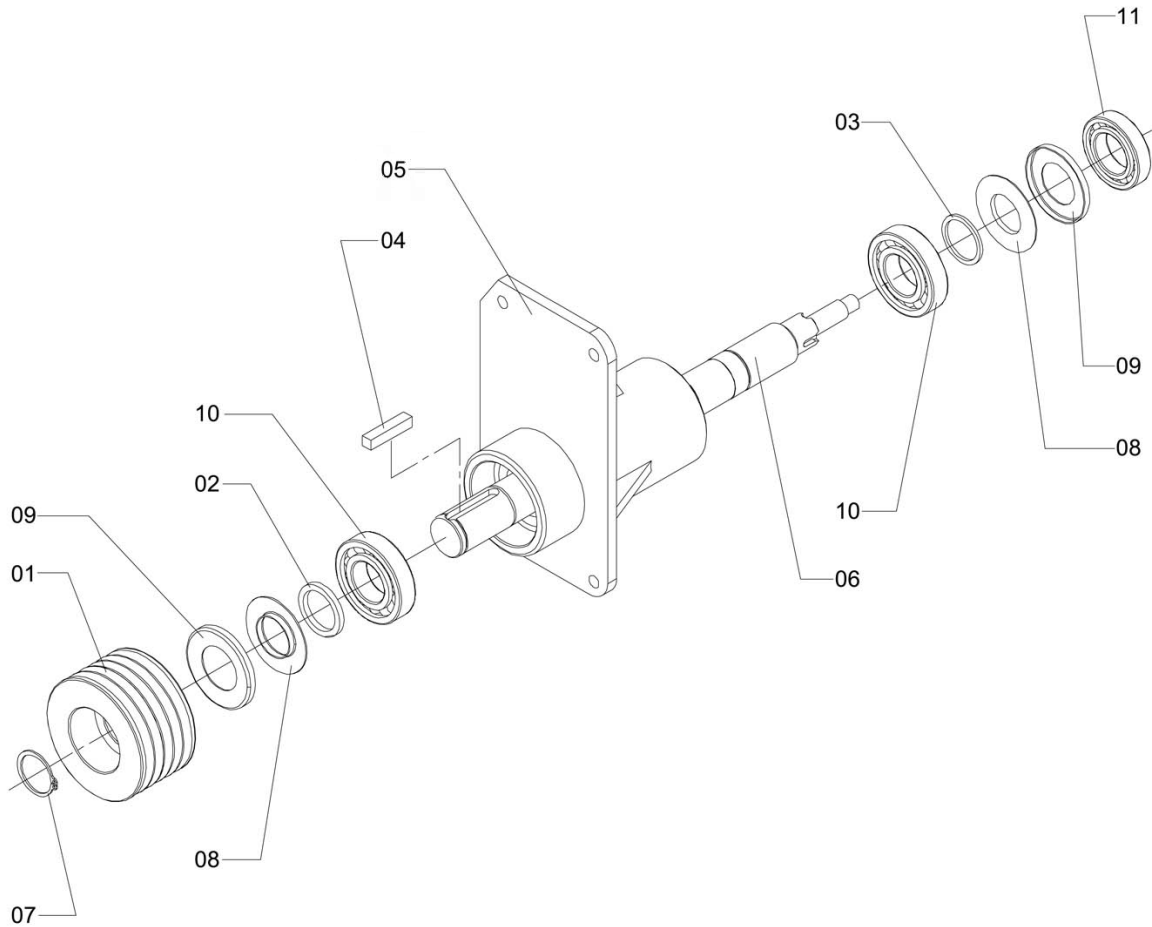


V-41

| Item | CODE    | DESCRIPTION                    | Qty. | Item | CODE | DESCRIPTION | Qty. |
|------|---------|--------------------------------|------|------|------|-------------|------|
| 00   | 434084  | Fan housing cover              | 1    |      |      |             |      |
| 01   | 018457  | Fan housing cover              | 1    |      |      |             |      |
| 02   | 1165899 | Grid unlck                     | 1    |      |      |             |      |
| 03   | 847912  | Chemical mixer articulator pin | 1    |      |      |             |      |
| 04   | 1169820 | Plastic stop latch key         | 1    |      |      |             |      |

Controlled copy – Distribution and reproduction prohibited

## FAN BEARING ASSEMBLY - J600

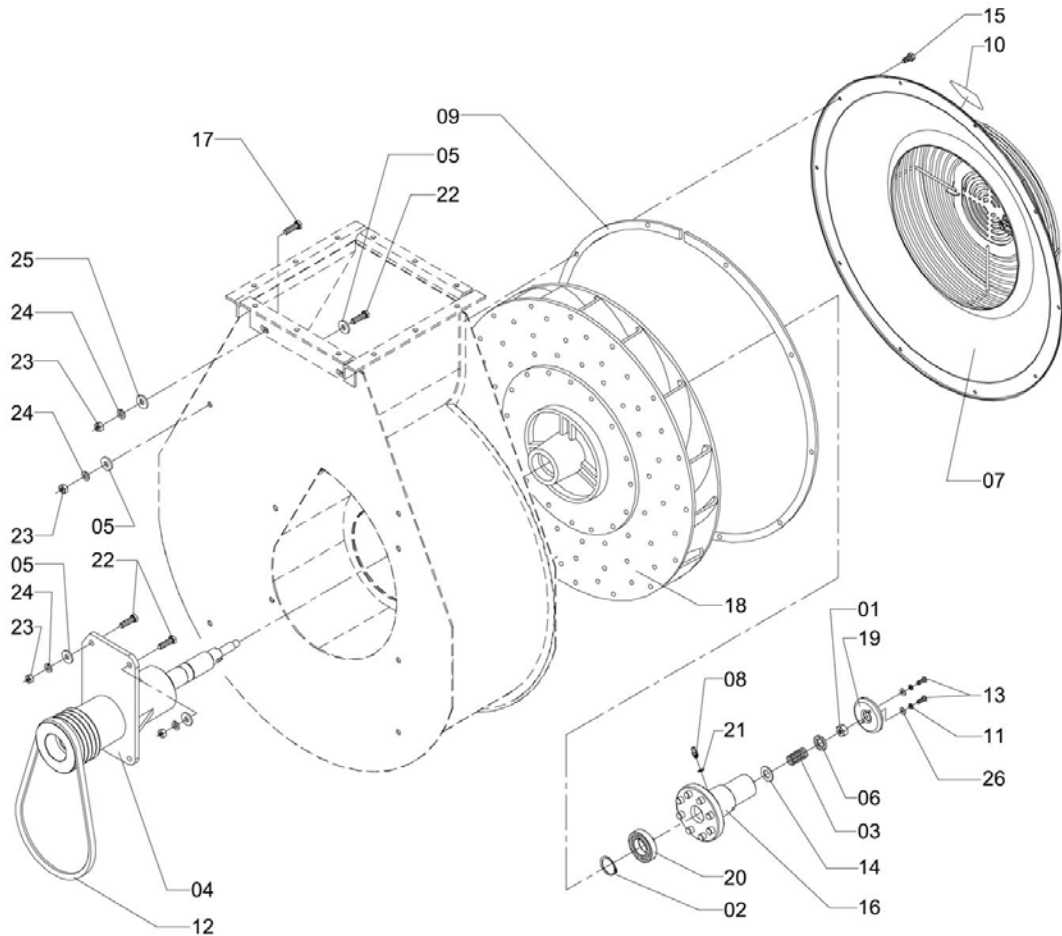


**TMV-94**

| Item | CODE   | DESCRIPTION                   | Qty. | Item | CODE | DESCRIPTION | Qty. |
|------|--------|-------------------------------|------|------|------|-------------|------|
| 00   | 164889 | Fan bearing assembly - J600   | 1    |      |      |             |      |
| 01   | 517466 | Pulley 121-5A                 | 1    |      |      |             |      |
| 02   | 518118 | Spacer ring                   | 1    |      |      |             |      |
| 03   | 518126 | Spacer ring 42.2 x 2.7        | 1    |      |      |             |      |
| 04   | 519793 | Square key - 9.53 (3/8") x 45 | 1    |      |      |             |      |
| 05   | 820324 | Pillow block body             | 1    |      |      |             |      |
| 06   | 984187 | Shaft 446                     | 1    |      |      |             |      |
| 07   | 203067 | Snap ring for shaft 35        | 1    |      |      |             |      |
| 08   | 328039 | Internal protection           | 2    |      |      |             |      |
| 09   | 328047 | External protection           | 2    |      |      |             |      |
| 10   | 328062 | Bearing no. 6207 SKF          | 2    |      |      |             |      |
| 11   | 202549 | Fixed bearing                 | 1    |      |      |             |      |

Controlled copy – Distribution and reproduction prohibited

# FAN

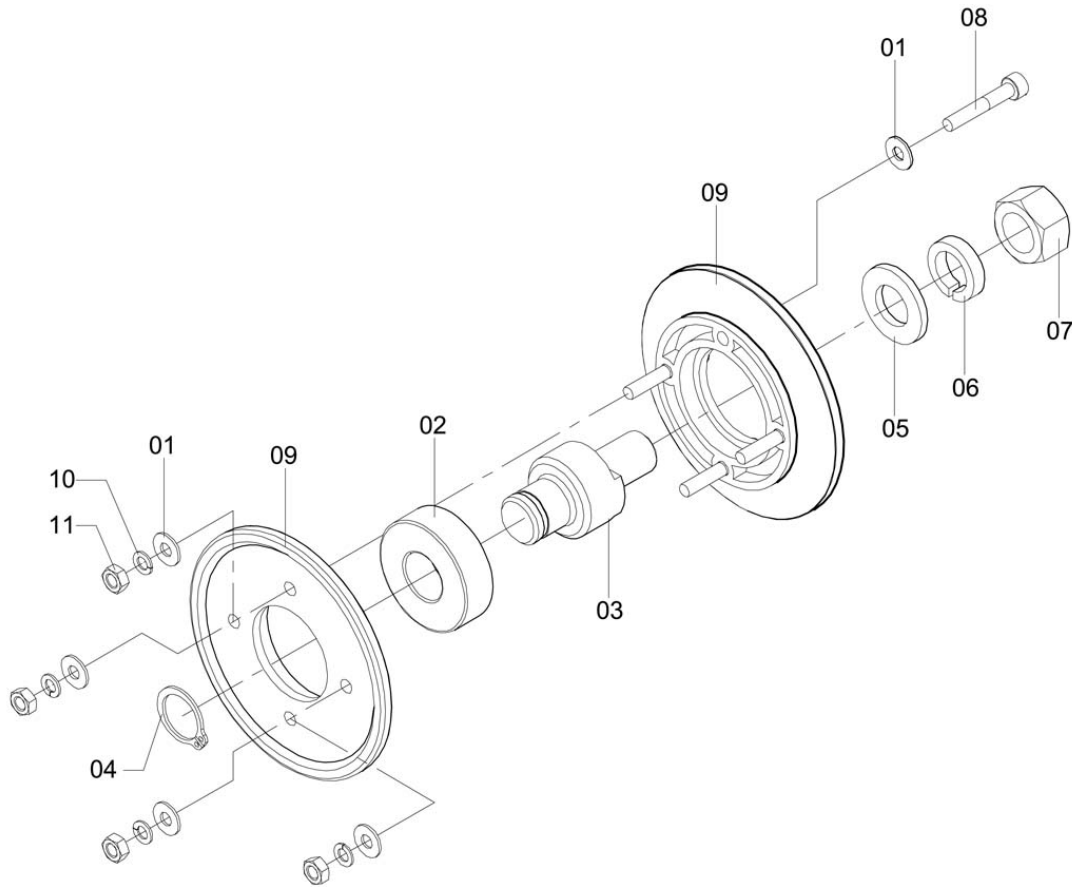


V-44

| Item | CODE   | DESCRIPTION                                 | Qty. | Item | CODE | DESCRIPTION | Qty. |
|------|--------|---|------|------|------|-------------|------|
| 00   | 518340 | Fan   | 1    |      |      |             |      |
| 01   | 108787 | Nut DODI-LOC 1/2" - 13 UNC                  | 1    |      |      |             |      |
| 02   | 203067 | Snap ring for shaft 35                      | 1    |      |      |             |      |
| 03   | 204537 | Compression spring                          | 1    |      |      |             |      |
| 04   | 164889 | Fan bearing assembly - J600                 | 1    |      |      |             |      |
| 05   | 416735 | Flat washer 100 x 260 x 30                  | 16   |      |      |             |      |
| 06   | 425892 | Spring seat ring                            | 1    |      |      |             |      |
| 07   | 434084 | Fan housing cover                           | 1    |      |      |             |      |
| 08   | 918748 | Grease nipple M6 x 1 - 45                   | 1    |      |      |             |      |
| 09   | 518100 | Packing 15 x 2000 x 8.00                    | 1    |      |      |             |      |
| 10   | 446500 | Sticker: "Fan lock instructions"            | 1    |      |      |             |      |
| 11   | 520676 | Lock washer 5                               | 2    |      |      |             |      |
| 12   | 520940 | Trapeze belt A-58                           | 5    |      |      |             |      |
| 13   | 007179 | Screw 3/16" UNC x 5/8"                      | 2    |      |      |             |      |
| 14   | 881243 | Flat washer 17 x 30 x 1,9 - stainless steel | 1    |      |      |             |      |
| 15   | 910745 | Self-locking screw 1/4" x 3/4"              | 10   |      |      |             |      |
| 16   | 177055 | Grooved hub with hitch                      | 1    |      |      |             |      |
| 17   | 936146 | Bolt M10 x 1.25 x 35 CL 8.8                 | 4    |      |      |             |      |
| 18   | 989129 | Fan rotor                                   | 1    |      |      |             |      |
| 19   | 201087 | Disc 70                                     | 1    |      |      |             |      |
| 20   | 202549 | Fixed bearing                               | 1    |      |      |             |      |
| 21   | 731083 | Ring 6.45 x 7.94 x 2                        | 1    |      |      |             |      |
| 22   | 757559 | Hex. bolt M10 x 30 x 1.25                   | 16   |      |      |             |      |
| 23   | 907030 | Hex. nut M10 x 1.25                         | 16   |      |      |             |      |
| 24   | 209395 | Lock washer M10                             | 16   |      |      |             |      |
| 25   | 623884 | Flat washer 10,5 x 21 x 2 - stainless steel | 4    |      |      |             |      |
| 26   | 979237 | Flat washer 5,30 x 10,0 x 1,0               | 2    |      |      |             |      |

Controlled copy – Distribution and reproduction prohibited

**TIGHTENING PULLEY ASSEMBLY 78-1A (SHAFT 15 X 50,5)**

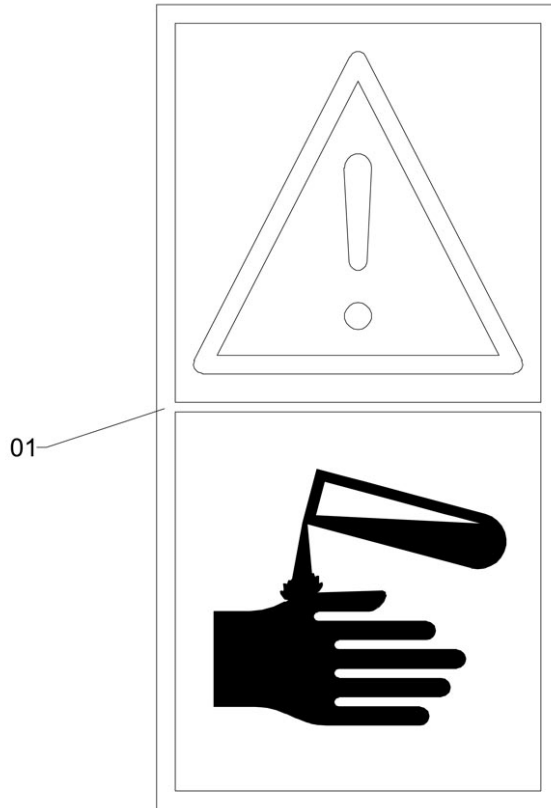


**LE-14**

| Item | CODE    | DESCRIPTION  | Qty. | Item | CODE | DESCRIPTION | Qty. |
|------|---------|--|------|------|------|-------------|------|
| 00   | 645416  | Tightening pulley assembly 78-1A (Shaft 15 x 50,5) | 1    |      |      |             |      |
| 01   | 508515  | Flat washer 4,3 x 10,2 x 0,8 - stainless steel     | 8    |      |      |             |      |
| 02   | 328781  | Fixed bearing                                      | 1    |      |      |             |      |
| 03   | 817627  | Tightening pulley shaft 15 x 50.5                  | 1    |      |      |             |      |
| 04   | 910851  | Snap ring for shaft 15                             | 1    |      |      |             |      |
| 05   | 818112  | Flat washer 130 x 240 x 30                         | 1    |      |      |             |      |
| 06   | 908582  | Lock washer 1/2"                                   | 1    |      |      |             |      |
| 07   | 912790  | Hex. nut 1/2" - 13 UNC                             | 1    |      |      |             |      |
| 08   | 1148396 | Screw M4 X 0.7 MM 25 Comp                          | 4    |      |      |             |      |
| 09   | 644641  | Pulley disk 78 - 1A                                | 2    |      |      |             |      |
| 10   | 520700  | Lock washer 4.3 x 7.1 x 1                          | 4    |      |      |             |      |
| 11   | 551523  | Hex. nut M-4 x 0.7 stainless steel                 | 4    |      |      |             |      |

Controlled copy – Distribution and reproduction prohibited

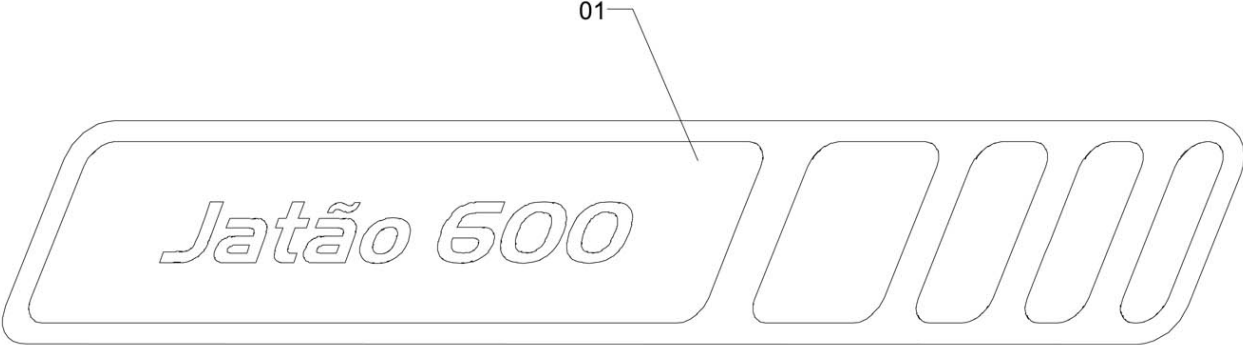
**STICKER (HAZARDOUS SUBSTANCES)**



**ADS-201**

| Item | CODE    | DESCRIPTION                    | Qty. | Item | CODE | DESCRIPTION | Qty. |
|------|---------|--------------------------------|------|------|------|-------------|------|
| 00   | 1163706 | Sticker (Hazardous substances) | 1    |      |      |             |      |
| 01   | 1163706 | Sticker "Hazardous Substances" | 1    |      |      |             |      |

**STICKERS: (J600-LEFT)**

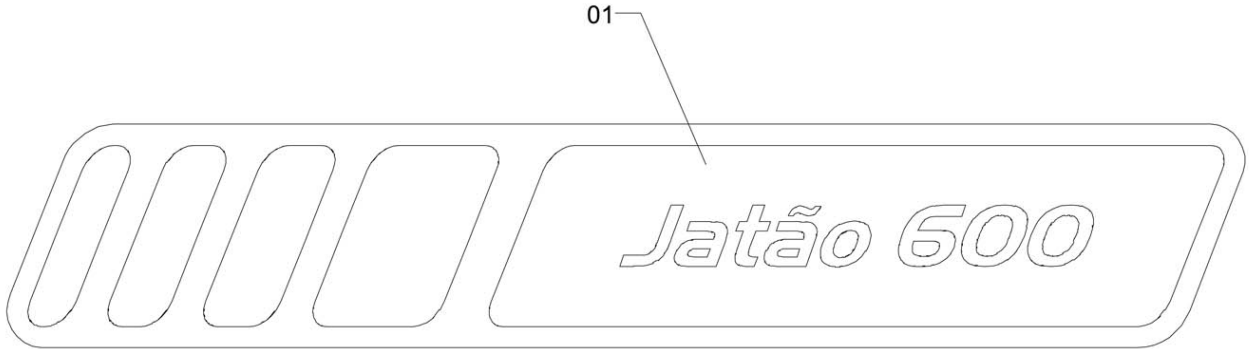


**ADS-232**

| Item | CODE    | DESCRIPTION           | Qty. |
|------|---------|-----------------------|------|
| 00   | 1180103 | Stickers: (J600-left) | 1    |
| 01   | 1180103 | Stickers: (J600-left) | 1    |

| Item | CODE | DESCRIPTION | Qty. |
|------|------|-------------|------|
|      |      |             |      |

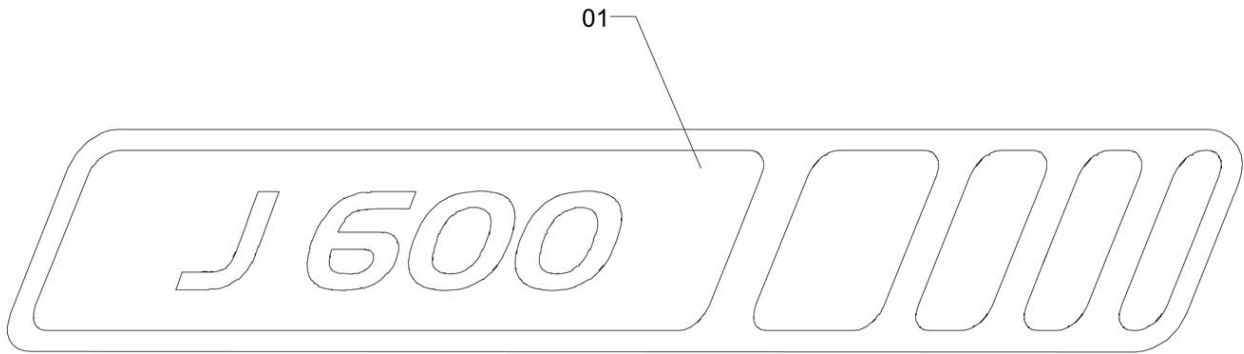
**STICKERS: (J600-RIGHT)**



**ADS-231**

| Item | CODE    | DESCRIPTION            | Qty. | Item | CODE | DESCRIPTION | Qty. |
|------|---------|------------------------|------|------|------|-------------|------|
| 00   | 1180104 | Stickers: (J600-right) | 1    |      |      |             |      |
| 01   | 1180104 | Stickers: (J600-right) | 1    |      |      |             |      |

**STICKERS: (J600 - LEFT)**

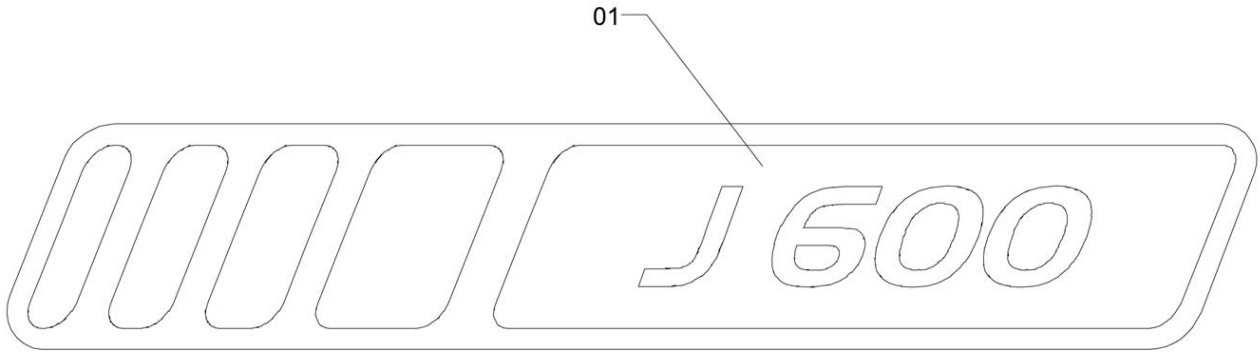


**ADS-230**

| Item | CODE    | DESCRIPTION             | Qty. | Item | CODE | DESCRIPTION | Qty. |
|------|---------|-------------------------|------|------|------|-------------|------|
| 00   | 1180105 | Stickers: (J600 - left) | 1    |      |      |             |      |
| 01   | 1180105 | Stickers: (J600 - left) | 1    |      |      |             |      |



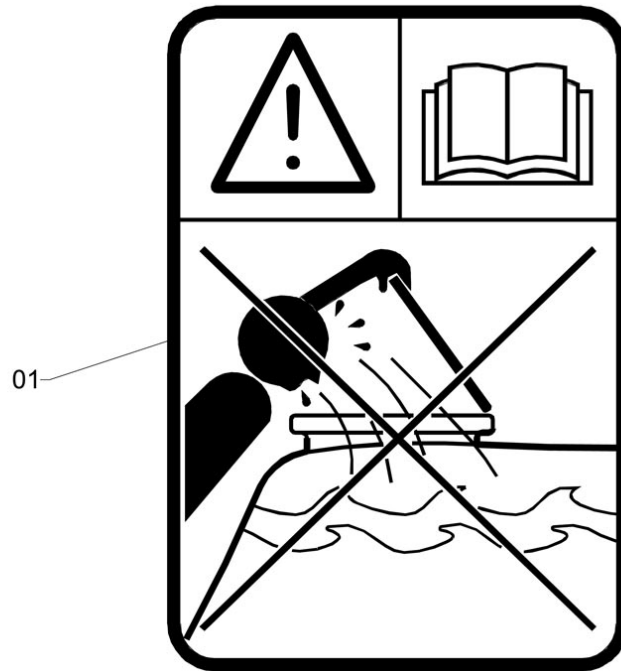
**STICKER: (J600- RIGHT)**



**ADS-229**

| Item | CODE    | DESCRIPTION            | Qty. | Item | CODE | DESCRIPTION | Qty. |
|------|---------|------------------------|------|------|------|-------------|------|
| 00   | 1180106 | Sticker: (J600- right) | 1    |      |      |             |      |
| 01   | 1180106 | Sticker: (J600- right) | 1    |      |      |             |      |

**STICKER (BE CAREFUL WHEN OPENING THE TANK LID)**



**ADS-200**

| Item | CODE   | DESCRIPTION  | Qty. | Item | CODE | DESCRIPTION | Qty. |
|------|--------|--|------|------|------|-------------|------|
| 00   | 379172 | Sticker (Be careful when opening the tank lid)                       | 1    |      |      |             |      |
| 01   | 379172 | Decal "Attention: Be careful when opening the lid of the main tank." | 1    |      |      |             |      |