



BUSH HOG®

Hay Tools – Disc Mowers, Tedders, & Rakes

IF IT DOESN'T SAY
BUSH HOG®
IT JUST WON'T CUT IT™

DHM SERIES | HT SERIES | XLRR-I SERIES | XLRR-X SERIES |
RR SERIES | EWR SERIES | 3PB SERIES | BS SERIES



HAY MOWERS

HAYMAKER
SERIES

DHM7 / DHM8 / DHM9 / DHM10



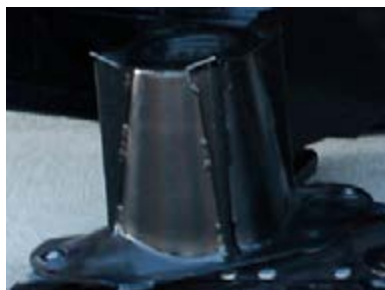
HAYMAKER *by Bush Hog*[®]

Bush Hog[®]'s four models of DHM hay mowers fit a large range of tractor sizes and production requirements. These mowers have Bush Hog[®]'s patented cutter bar design to handle your toughest mowing areas. With mowing widths ranging from 7' to 10', these mowers have been performance-proven with reduced wrapping and plugging issues in heavy and light hay crops. As always, they are built Bush Hog[®] tough to meet the hay production and service dependability requirements of today's farmers and ranchers.

DHM Series Features

- **DHM mowers have been performance tested** and proven to reduce plugging and wrapping in both light and heavy hay crops.
- **Each cutter bar** has been designed with added stiffness to provide exceptional strength in all working conditions.
- **Oval discs allow for superior flow** of material over the cutter bar and a better distribution of your hay crop.
- **Robust, double-sided steel knives** are perfectly timed to overlap at just the right distance to provide a smooth, clean, clog-free cut.
- **The gear-driven cutter bar** houses oiled and sealed bearings to reduce contamination and provide ease of maintenance.
- **A hydraulic mower bar cylinder** effortlessly lifts the unit for end of field turns and transport (DHM8, DHM9, DHM10)
- **Ground pressure of the cutter bar** can be easily adjusted for a variety of ground conditions (DHM8, DHM9, DHM10).

- **Crop dividers come standard** to provide clear distinction between cut and standing hay.
- **Mowers feature a mechanical breakaway** to protect units from damage when striking an unexpected obstacle.



Crop dividers come standard to provide clear distinction between cut and standing hay.



Oval discs allow for superior flow of material over the cutter bar and a better distribution of your hay crop.



DISC HAY MOWER SPECIFICATIONS

MODELS:	DHM7	DHM8	DHM9	DHM10
Working Width	6' 9"	8'	9' 3"	10' 6"
Number of Oval Discs	5	6	7	8
Blades Per Disc	2			
Driveline Size	Cat 4			
Minimum PTO HP	40	46	52	56
Hitch	Cat 2			
PTO Speed	540			
Safety Curtain	Standard			
Machine Weight (lbs)	906	1235	1300	1400

HAY TEDDERS

HT
SERIES

HT210 / HT417 / HT417H / HT419H / HT625H



For the fastest drying time, choose Bush Hog®'s tedders!

We offer a choice of five different models, each built to accommodate your needs. Our tedders are designed for low horsepower tractors, with working widths from 10 to over 25-feet. The Bush Hog® tedder produces quicker drying time for baling sooner and reduces possible damage to ground plants.

HT Series Features

- **Five Models** to choose from.
- **Fluffing and spreading cut** hay increases air flow through the crop and results in faster drying times.
- **Six spring steel tines per rotor** fluff and spread the hay.
- **Slipclutch** is standard to protect the 540 pto driveline.
- **Bush Hog® tedders** were designed for low horsepower tractors.
- **Tine height** can be adjusted manually for proper performance.



Anti-Wrap Stationary Disc

Clutch Protection

HAY TEDDER SPECIFICATIONS

MODELS:	HT210	HT417	HT417H	HT419H	HT625H
Number of Rotors	2	4		6	
Working Width (Approx.)	10-feet	17-feet 1-inch		19-feet	25-feet 7-inches
Number of Tines	12	24		36	
Transport Width	10-feet		11-feet		9-feet 6-inches
Working Speed (MPH)	5-10				
Horsepower Required (min)	15 HP	22 HP		25 HP	50 HP
PTO (RPM)	540 RPM				
Folding (man. or hyd.)	N/A	Manual	Hydraulic		
Tire Size	16 x 6.50-8				16 x 6.50-8 (Working Tires) 205/70/15 (Transport Tires)
Number of Tires	2	4		8 (Working Tires) 2 (Transport Tires)	
Weight	385-lbs.	830-lbs.	850-lbs.	1,225-lbs.	2,470-lbs.
Options			Hydraulic Tilt Kit		

PULL-TYPE V-RAKE HAY RAKES

*XLRR-I & XLRR-X
SERIES*

XLRR819-1 / XLRR1022-1 / XLRR1226-1 / XLRRX1226 / XLRRX1428



XLRR-I V-Rakes

The XLRR-I independent suspension V-Rakes are the perfect raking tool for many hay producers looking for value and dependability with some special features designed in for good measure. The XLRR-I models come in 8, 10 and 12-wheel configurations. The units have a high clearance frame which handles heavy material volumes with ease and each wheel is independently suspended to provide optimum pickup of cut material while traveling over uneven terrain.

The unit folds to a narrow transport width and, in addition, the unit can be operated as a single-wheel unit if needed. Optional accessories such as a cab operated hydraulic windrow adjuster kit, a walking tandem wheel kit and a single-center kicker wheel kit can convert the XLRR-I units into a “next level” raking machine.

XLRR-I Series Features

- **The XLRR-I V-Rakes** feature independent wheel suspension on each wheel for unmatched performance when operating in rough or rolling terrain
- **Each independently suspended wheel** operates separately from the adjacent wheel, allowing maximum pickup of cut material even in unlevel ground
- **High ground clearance** of the main frame allows operators to process large windrows in heavy crop conditions
- **The leading wheels** on the 10-wheel and 12-wheel versions can be raised and locked out when there is a need to reduce the windrow volume in heavy crop conditions
- **XLRR-I models** available in 8, 10 and 12-wheel configurations for both small and large scale operators
- **Optional Hydraulic Windrow Adjuster Kit** makes quick work of windrow width adjustments from the tractor seat as conditions change
- **The XLRR-I Rake sections fold horizontally** over the mainframe for a narrow transport width and good stability
- **Capable of raising and locking out** one side of the unit for either left hand or right hand raking in small fields and tight places
- **Optional Walking Tandem Wheel Kit** provides a wide support base when navigating over rolling and/or rough terrain while reducing ground compaction
- **Optional Single Center Wheel Kit** for turning the cut material at the apex of the windrow promoting better drying



Hydraulic windrow adjuster kit



Center wheel kit - hydraulic lift

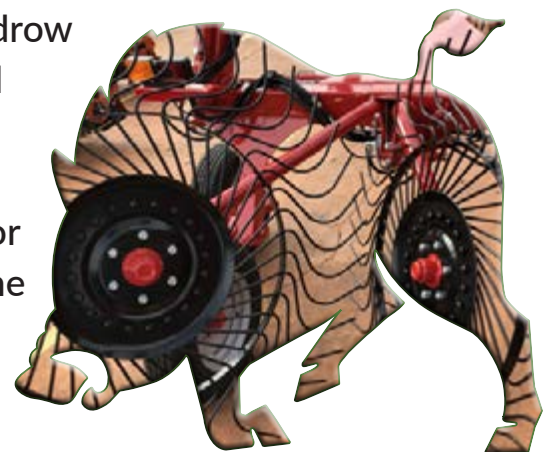
XLRR-I V-RAKE SPECIFICATIONS

MODELS:	XLRR819-1	XLRR1022-1	XLRR1226-1
Number of Finger Wheels	8	10	12
Finger Wheel Diameter	55 inches		
Tine Diameter	7mm		
Minimum Transport Height	7 feet 9 inches		
Transport Width	8 feet 5 inches		
Minimum Windrow Width	3 feet		
Maximum Windrow Width	6 feet 7 inches		
Minimum Working Width	16 feet 4 inches	19 feet	21 feet 8 inches
Maximum Working Width	18 feet 8 inches	21 feet 7 inches	25 feet 7 inches
Tires	205-75/15		
Weight	1,675 pounds	1,875 pounds	2,115 pounds
Minimum HP Required	30		50



XLRRX Extreme V-Rakes

The XLRRX “Extreme” V-Rakes are feature rich and well built models at an affordable price that compare to more expensive competitor units. With standard walking tandem axles, hydraulically controlled raking and windrow width control from the cab, independently suspended rake wheels in either 12 or 14-wheel configurations and a strong tubular high capacity frame, the XLRRX models are just the right rake for the contract operator or the discerning farmer/rancher that always wants the best available tool for the job. An optional hydraulic dual center kicker wheel kit is the icing on the cake for the XLRRX “Extreme” V-Rake.



XLRR-X Series Features

- **The XLRRX “Extreme” V-Rakes** feature independent wheel suspension on each wheel which equals unmatched performance when operating in rough or rolling terrain
- **Hydraulically adjust the raking width and windrow width** from the security of the tractor’s cab using the standard equipment electrically controlled selector valve
- **Each independently suspended wheel** operates separately from the adjacent wheel, allowing maximum pickup of cut material even in unlevel ground
- **The XLRRX “Extreme” V-Rakes** offer a choice of 55” rake wheels with 7mm tines or a larger 60”/7.5mm tine often preferred in heavier crops with no changes to the machine required
- **High ground clearance** of the main frame allows operators to process large windrows in heavy crop conditions

- **Standard walking tandem axles** provide a wide support base and permit smoother travel over rough or rolling terrain while reducing ground compaction
- **The wings of the XLRRX models** are designed to fold parallel to the ground and to each other resulting in a narrow 9’2” transport width
- **Hydraulic transport locks** allow you to safely secure the unit for transport and can be used to lock out one side and rake using only the left hand or right hand in small fields or tight places
- **Heavy duty tubular steel frame** provides toughness and durability for years of dependable raking
- **Optional Hydraulic Dual Center Kicker Wheel Kit** cleans up the cut material at the apex of the windrow ... two wheels equal twice the coverage of normal single wheel designs



Electrically controlled hydraulic selector valve to adjust raking width and windrow width from the tractor cab



Standard walking tandem wheel



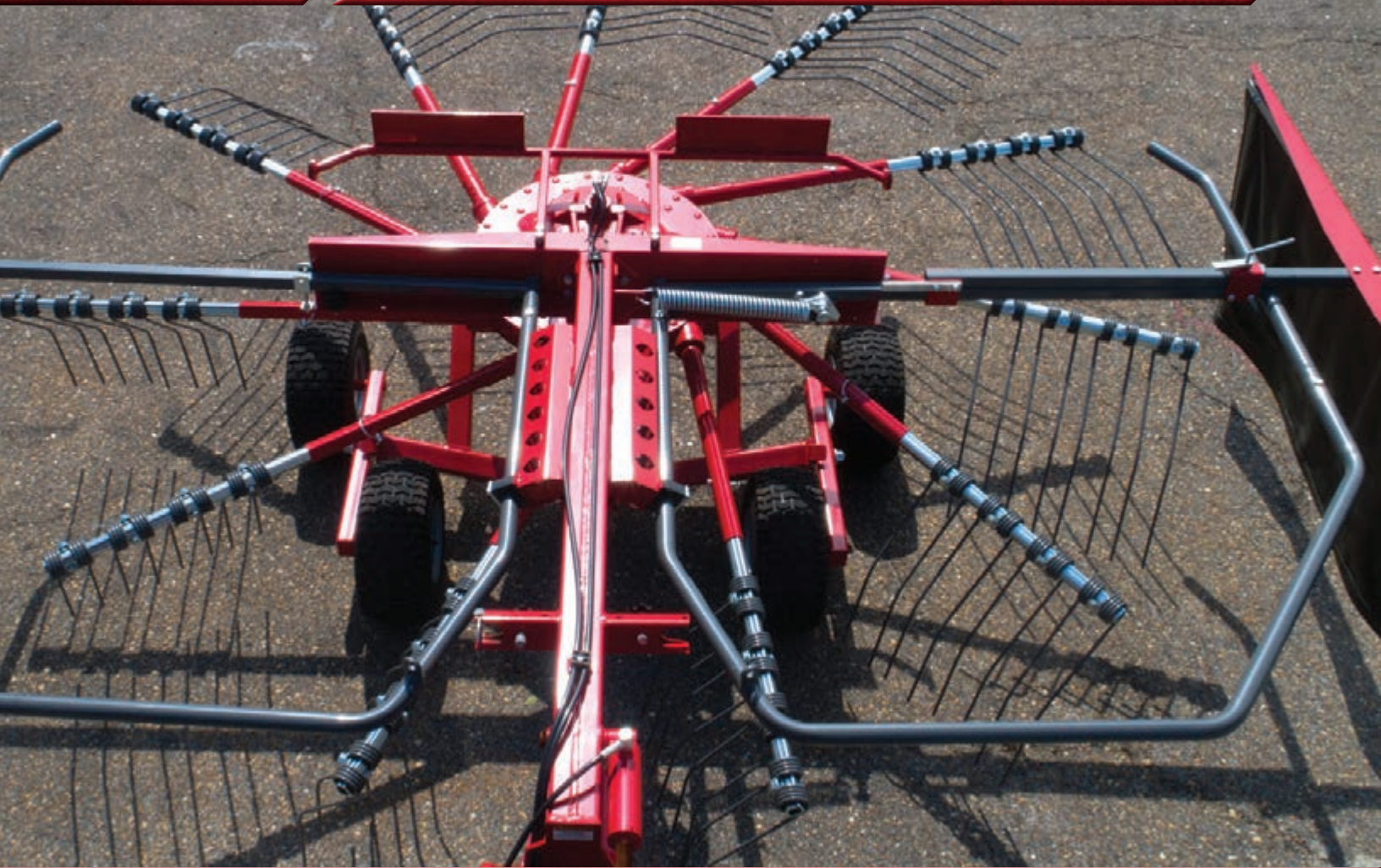
XLRR-X V-RAKE SPECIFICATIONS

MODELS: XLRRX1226 XLRRX1428		
Number of Finger Wheels	12	14
Finger Wheel Diameter	55 or 60 inches	
Tine Diameter	7mm or 7.5 mm	
Minimum Transport Height	9 feet 2 inches	
Transport Width	9 feet 2 inches	
Minimum Windrow Width	3 feet	
Maximum Windrow Width	6 feet 7 inches	
Minimum Working Width	22 feet	24 feet 11 inches
Maximum Working Width	25 feet 7 inches	28 feet
Tires	205-75/15	
Weight	2,670 pounds	2,955 pounds
Minimum HP Required	50	60

ROTARY HAY RAKES

RR
SERIES

RR1114H



RR1114H Rotary Hay Rake

For the most gentle handling of your hay crops and faster drying times in wet or dry hay, choose Bush Hog®'s RR series rotary rake. Our RR rotary rake is designed for low horsepower tractors making it ideal for small and mid-range hay operators. The versatility offered by this side delivery rotary rake is perfect for operators who want a light, fluffy windrow with low ash content and minimal crop roping. Tandem wheels permit the user to easily navigate uneven terrain.

RR Series Features

- Gentle on the crop, quicker drying times
- Four double spring steel tines per arm
- Designed for lower horsepower tractors
- Hydraulic transport positioning
- CV driveline, slip-clutch standard
- Tandem axles for uneven terrain



Walking tandem axles



Unit in transport position with the rake arms removed



Rake tines

RR ROTARY RAKE SPECIFICATIONS

MODELS:		RR1114H
Number of Arms		11
Number of Double Tines Per Arm		4
Working Width (ft)		13 feet 9 inches
Raking Width (ft)		11 feet 2 inches
Transport Width (ft)		6 feet 7 inches (arms removed)
Transport Width (ft)		11 feet 5 inches (arms on)
Working Speed (mph)		5-10
Minimum Tractor HP		40
PTO (RPM)		540
Transport Positioning		Hydraulic
Tire Size		18 x 8.50-8
Number of Tires		4
Weight (lbs)		1352

WHEEL-DRIVEN RAKES

*EWR
SERIES*

EWR820 / EWR1023



EWR Wheel-Driven Hay Rakes

Our EWR Series wheel hay rakes are designed to make your harvesting faster, easier, and more efficient. With raking widths from 20 to 23-feet, all our hay rakes are built to provide unrivaled performance in the toughest conditions, season after season. No matter the size, Bush Hog® has the dependability and range for your specific needs. When you need to rake a perfect swath, nothing beats a Bush Hog® for performance you can count on!

EWR Series Features

- **EWR wheel “V” rakes** are available in 8 and 10 wheel models.
- **Standard lift cylinder** allows easy transport in the narrow, folded position.
- **Adjustable wheel load pressure** ensures correct ground contact for maximum raking performance.
- **Optional center wheel** kit fluffs center of windrow for quality hay.
- **Adjustable windrow width** to match baler.
- **Standard 195-70/15 tires** provide maximum stability.
- **EWR wheel rakes** are budget sensitive while delivering quality performance.



Spring adjustment for finger wheel ground pressure



Adjustable windrow width



Wheel flotation for uneven ground

EWR HAY RAKE SPECIFICATIONS		
MODELS:	EWR820	EWR1023
Number of Finger Wheels	8	10
Total Length	17-feet 5-inches	20-feet 3-inches
Window Width, Adjustable	3-feet to 5-feet	
Working Width	20-feet	23-feet
Transport Width	10-feet	
Minimum Tractor H.P. Required	30 HP	
Tire Size	195-70R/15	
Operating Speed	Up to 14 MPH	
Approximate Weight	1,200-lbs.	1,355-lbs.

3-POINT HAY IMPLEMENTS

3PB
SERIES

3PBS1 / 3PBS2 / 3PBU



3PBS1 3-PT Single Probe Bale Spear for Cat I Standard and Quick Hitch.



3PBS2 3-PT Single Probe Bale Spear for Cat I & II Standard and Quick Hitch.



3PBU 3-PT Bale Unroller Cat I & II Standard and Quick Hitch

To maximize the utilization of your hay crop you can't just set the bale out in the middle of the field, you need to unroll it. 3-PT bale unrollers grasp the hay bale in the center of both sides, and turn on a central axis allowing the friction from the ground to "grab" the hay and start unrolling the bale. The bale unroller simply connects to the back of your tractor and allows you to roll out your hay bales like a carpet, no pitchfork required. The 3-PT Hay Handler/Unroller is rated at 2000-lbs. for 25-45 HP tractors. The bales may be either 4-feet or 5-feet in width and up to 6-feet in diameter. The hydraulic cylinder is included. The unit's arms are powder coated with a durable black paint, while the unit's body is available in major tractor colors to give lasting protective finish. The unit fits both Standard and Quick Hitches.

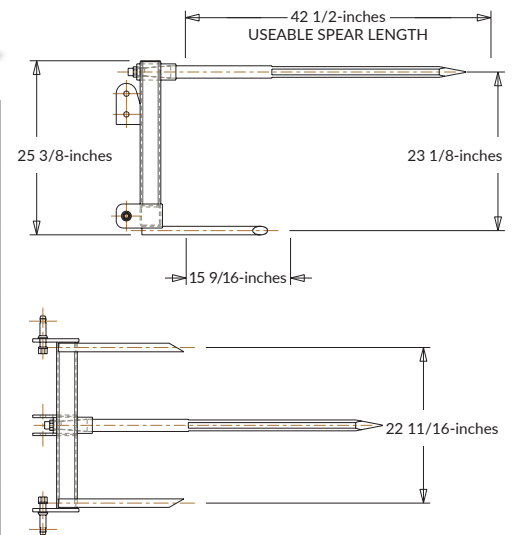
Bale Spears / Bale Unroller

An effective way to move or stack hay bales is with these economical 3-PT Bale Spears for handling round bales up to 2000-lbs. The units feature a main tapered spear 42-inches long and 2 welded balance spears. They are designed for 25-45 HP tractors to efficiently move hay bales without a loader. In combination with a loader on the front, the operator's efficiency is greatly improved. The units are powder coated with a durable black paint to give lasting protective finish. Each unit fits both Standard and Quick Hitches.

3PB HAY IMPLEMENT SPECIFICATIONS

MODELS:	3PBS1	3PBS2	3PBU
Description	Bale Spear		Bale Unroller
Hitch Type	Cat. I, Standard & Quick Hitch	Cat. I & II, Standard & Quick Hitch	
Overall Width	31 7/8-inches	39-inches	69 1/2-inches
Overall Height	25 3/8-inches		25 9/16-inches
Horsepower	25-45 HP		
Weight	80-lbs.	97-lbs.	326-lbs.
Max Implement Capacity	2000-lbs.		

3PBS1 / 3PBS2



TRACTOR-MOUNTED BALE SPEAR

BS
SERIES

BS1 / BS2

The BS1 model is a single main spear model. You can transport large round bales easily using a skid steer or Ag loader.



The BS2 is a dual spear design. This design allows the moving of large bales with greater speed and stability while using a skid steer or Ag loader.

Bush Hog® BS series bale spears are built Bush Hog® tough. With a lift capacity of 3,500 pounds and capable of being mounted on a universal skid steer frame, these bale spears are designed to lift, transport and stack round or square bales of hay or other organic matter. Let Bush Hog®'s BS series bale spears help you get your work done faster.

BS Series Features

- **Spear Capacity** is 3,500-lbs. at 23 1/2-inches from frame.
- **42 1/2-inches Usable Spear Length**
- **Tubular construction** with solid welding at all joints.
- **Models** are compatible with Skid Steer, John Deere and Euro Quick Attach Systems

BS BALE SPEAR SPECIFICATIONS

MODELS:	BS1	BS2
Overall Height	21 3/16-inches	30-inches
Overall Width	45 5/16-inches	46 5/16-inches
Overall Depth	51-inches	
Spear Size	1 25/32-inches	
Useable Spear Length	42 1/2-inches	
Weight	144-lbs.	304-lbs.
Max. Spear Capacity	3500-lbs. @ 23 1/2-inches	
Attachment Method	Universal Skid Steer Quick Attach, Euro or John Deere	
Color	Black	



IF IT DOESN'T SAY
BUSH HOG®
 IT JUST WON'T CUT IT™

2501 Griffin Avenue, Selma, Alabama 36703

Tel: 800-363-6096 | Fax: 334-874-2701

www.bushhog.com

