

# **BUSH HOG<sup>®</sup>**

## **LAND MAINTENANCE**

### **REPAIR PARTS MANUAL**

**MODEL: SQUEALERS  
(ROUND BACK)**

**SECTION: 64**



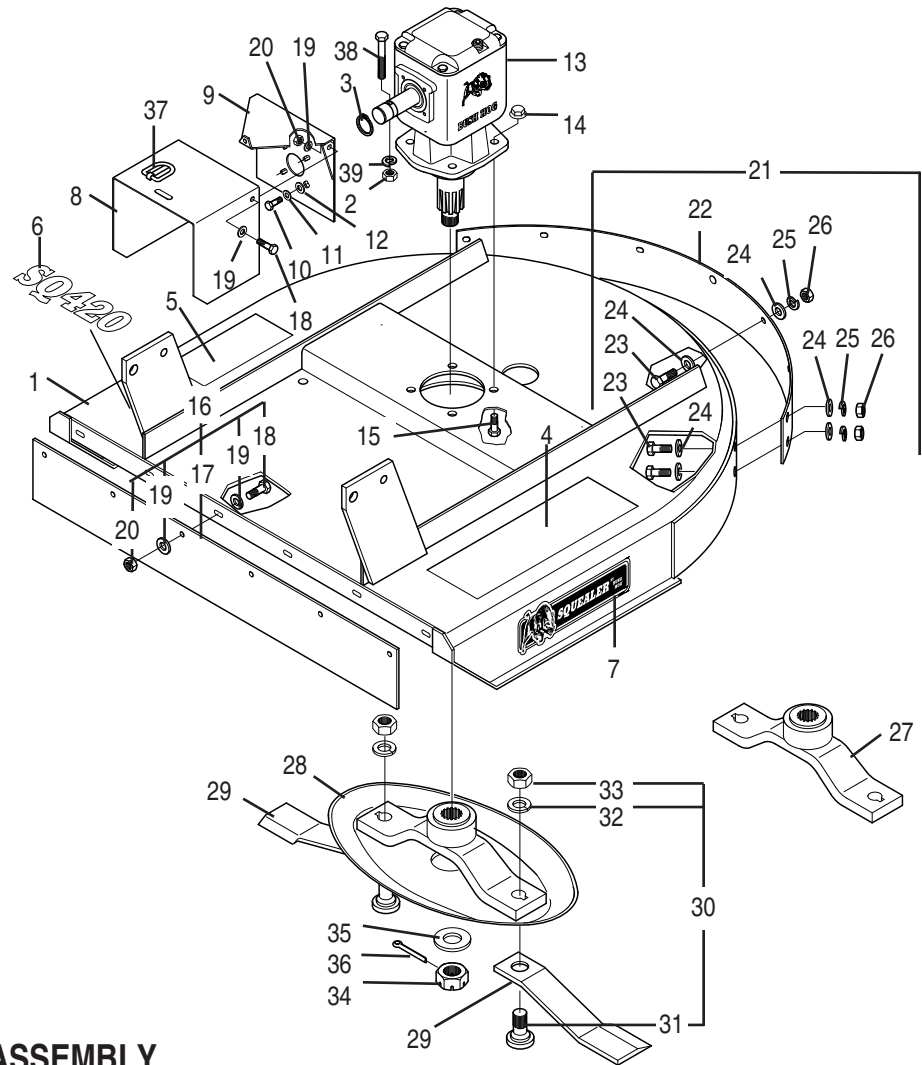
## **BUSH HOG<sup>®</sup>**

2501 Griffin Ave. • Selma, AL 36703  
(334) 872 6261 • (334) 874 2700  
Parts Ordering 1 800 304 2836  
Fax 1 800 572 1784  
[www.bushhog.com](http://www.bushhog.com)

# SQ420, SQ480, SQ600, SQ720, SQ840 & SQ84T SQUEALERS

## ALPHABETICAL INDEX BY MODELS

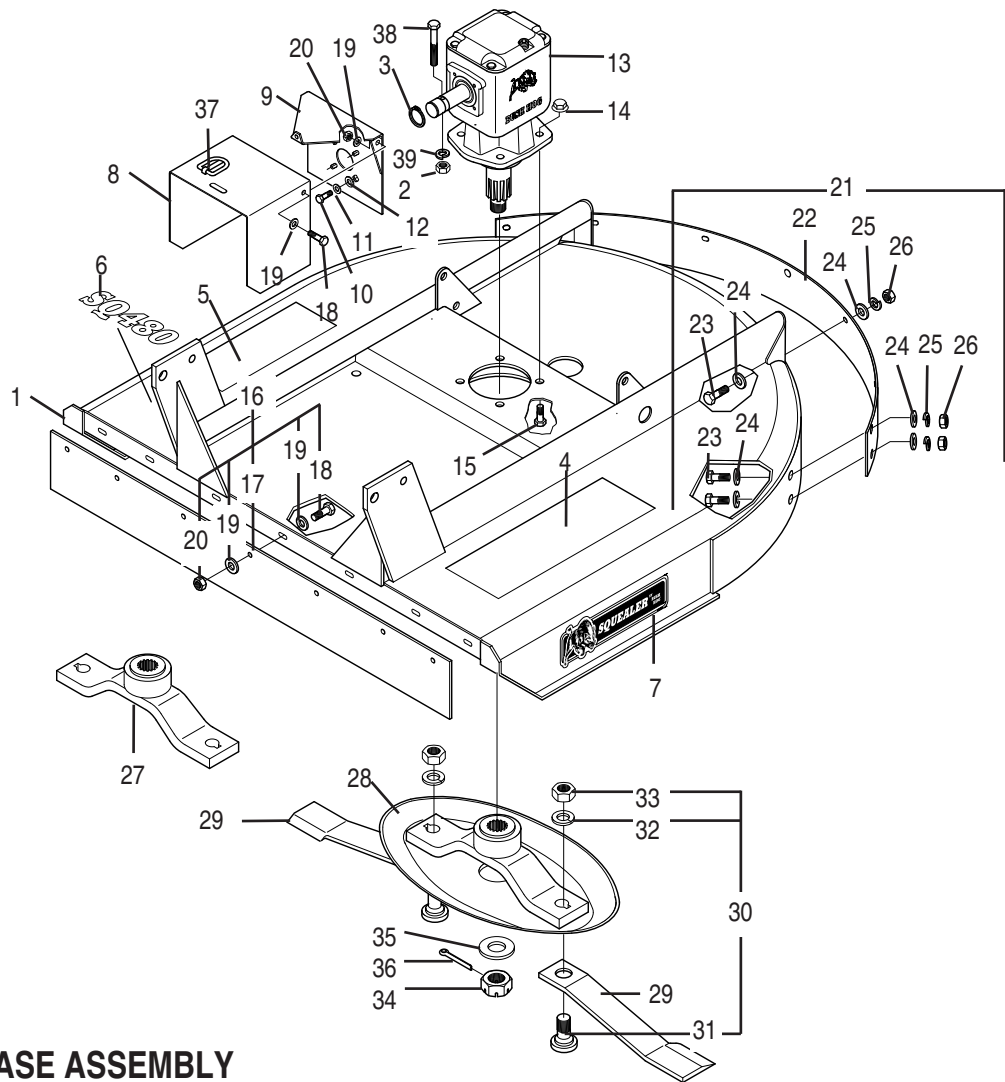
<b>CONTENTS</b>	<b>PAGE</b>	<b>CONTENTS</b>	<b>PAGE</b>
<b>SQ420</b>		<b>SQ720</b>	
Base Assembly, SQ420.....	64-1-1	Base Assembly, SQ720 .....	64-1-4
Blades/Blade Holder .....	64-1-1	Blades/Blade Holder .....	64-1-4
Decal Kits .....	64-1-1	Decal Kit .....	64-1-4
Driveshaft .....	64-3-1	Driveshaft (Shearbolt Style) .....	64-3-2
Gearbox Assembly, SQ420.....	64-2-1	Driveshaft (Slip Clutch Style) .....	64-3-3
Hitch - 3 Pt. Lift.....	64-4-1	Gearbox Assemblies, SQ720.....	64-2-2, 64-2-7
Quick Hitch, SQ420.....	64-4-6	Hitch - 3 Pt. Lift .....	64-4-3
Tailwheel Frame.....	64-4-1	Quick Hitch SQ720 .....	64-4-8
Tailwheel .....	64-5-1	Tailwheel Frame .....	64-4-3
		Tailwheel (Solid Rubber) .....	64-5-1
		Tailwheel (Laminated) .....	64-5-3
<b>SQ480</b>		<b>SQ840</b>	
Base Assembly, SQ480 .....	64-1-2	Base Assembly, SQ840R .....	64-1-5
Blades/Blade Holder .....	64-1-2	Blades/Blade Holder .....	64-1-5
Decal Kit.....	64-1-2	Decal Kits .....	64-1-5
Driveshaft.....	64-3-1	Driveshaft (Slip Clutch) .....	64-3-4
Gearbox Assembly, SQ480.....	64-2-1	Gearboxes .....	64-2-3, 64-2-9
Hitch - 3 Pt. Lift.....	64-4-2	Hitch 3 Pt. Lift .....	64-4-4
Quick Hitch SQ480.....	64-4-7	Tailwheel Frame .....	64-4-4
Tailwheel Frame.....	64-4-2	Tailwheel (Laminated) .....	64-5-3
Tailwheel (Solid Rubber).....	64-5-1		
Tailwheel (Laminated).....	64-5-2		
<b>SQ600</b>		<b>SQ84T</b>	
Base Assembly, SQ600.....	64-1-3	Base Assembly, Model SQ84TR .....	64-1-6
Blades/Blade Holder .....	64-1-3	Beam, Tailwheel .....	64-4-5
Decal Kit .....	64-1-3	Blades/Blade Holder .....	64-1-10
Driveshaft (Shearbolt Style).....	64-3-2	Decal Kits .....	64-1-10
Driveshaft (Slip Clutch Style).....	64-3-3	Driveshafts .....	64-3-3, 64-3-5
Gearbox Assemblies, SQ600.....	64-2-2, 64-2-8	Gearbox .....	64-2-4
Hitch - 3 Pt. Lift.....	64-4-3	Hitch .....	64-4-5
Quick Hitch SQ600.....	64-4-8	Tailwheel (Solid Rubber) .....	64-5-1
Tailwheel Frame.....	64-4-3	Tailwheel (Laminated) .....	64-5-2
Tailwheel (Solid Rubber).....	64-5-1		
Tailwheel (Laminated).....	64-5-2		



**SQ420 BASE ASSEMBLY**

REF. NO.	PART NO.	QTY.	DESCRIPTION
1	50018820	1	Deck w/Decals, Red
	50055444	1	Deck w/ Decals, Orange
	50055445	1	Deck w/ Decals, Green
	50055446	1	Deck w/ Decals, Blue
	50021099	1	Decal Kit (Items 2-7)
	90252	1	Decal Kit (French)
2	—	1	Hex Nut 1/2"
3	81445	1	Retaining Ring
4	50029417	1	Sheet Decal
5	50029419	1	Sheet Decal
6	99894	1	Model Decal (SQ 420)
7	50054948	2	Squealer Decal
8	50017099	1	Shield
9	95548	1	Mount Weld.- Shield
10	44215	4	Capscrew M8 x 1.25 x 15 Gr.8.8
11	44216	4	Lockwasher M8
12	44311	4	Flatwasher M8
13	50055439	1	Gearbox Assembly, Red
	50055440	1	Gearbox Assembly, Orange
	50055441	1	Gearbox Assembly, Green
	50055442	1	Gearbox Assembly, Blue
14	20414	4	Locknut 5/8" Flanged
15	20947	4	Capscrew 5/8" x 2" Gr.5
16	50017105	1	Front Deflector Kit (17-20)

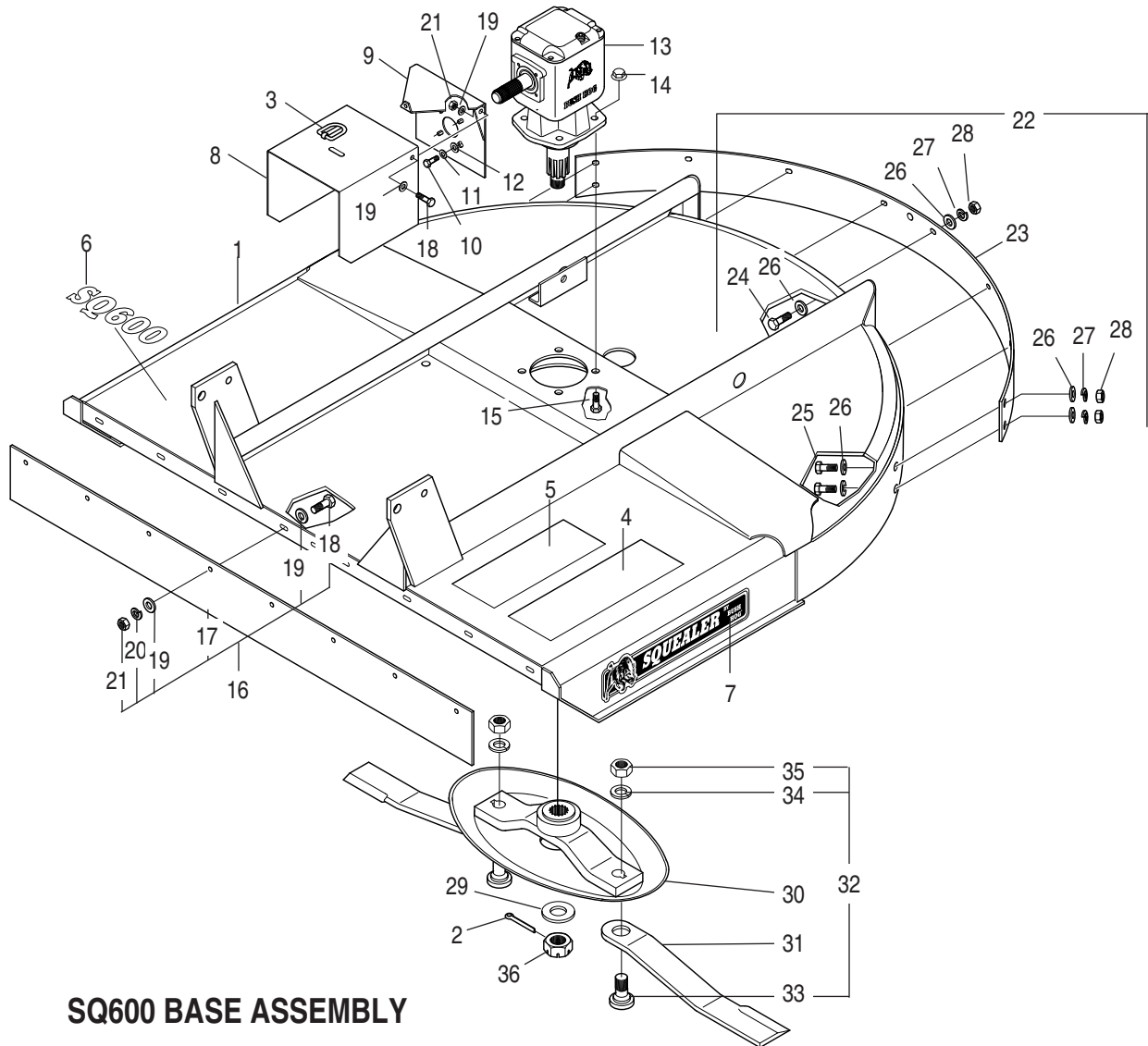
REF. NO.	PART NO.	QTY.	DESCRIPTION
17	50017934	1	Front Belting
18	—	7	Capscrew 3/8" x 1 1/4" Gr.5
19	—	14	Flatwasher 3/8"
20	—	7	Locknut 3/8"
21	50017104	1	Rear Deflector Kit (22 - 27)
22	50017938	1	Rear Band
23	—	8	Capscrew 3/8" x 1" Gr.5
24	—	16	Flatwasher 3/8"
25	—	8	Lockwasher 3/8"
26	—	8	Hex Nut 3/8"
27	50056852	1	Blade Bar Weldment, Black
28	50056851	1	Blade Pan Weldment, Black
29	66644	2	Blade - Standard
30	66516	2	Blade Bolt Kit (31-33)
31	1259	2	Blade Bolt
32	66	2	Lockwasher 7/8"
33	15626	2	Jam Nut 7/8" NF
34	70694	1	Castle Nut
35	70695	1	Flatwasher (special)
36	70699	1	Cotter Pin
37	69391	1	Pin
38	44357	1	Capscrew 1/2" x 3"
39	—	1	Lockwasher 1/2"



**SQ480 BASE ASSEMBLY**

REF. NO.	PART NO.	QTY.	DESCRIPTION
1	50017098	1	Deck w/Decals, Red
	50055502	1	Deck w/ Decals, Orange
	50055503	1	Deck w/ Decals, Green
	50055504	1	Deck w/ Decals, Blue
	50021099	1	Decal Kit (Items 2-7)
	90252	1	Decal Kit (French)
	2	—	1
3	81445	1	Retaining Ring
4	50029417	1	Sheet Decal
5	50029419	1	Sheet Decal
6	99895	1	Model Decal (SQ 480)
7	50054948	2	Squealer Decal
8	50017099	1	Shield
9	95548	1	Mount Weld.- Shield
10	44215	4	Capscrew M8 x 1.25 x 15 Gr.8.8
11	44216	4	Lockwasher M8
12	44311	4	Flatwasher M8
13	50055439	1	Gearbox Assembly, Red
	50055440	1	Gearbox Assembly, Orange
	50055441	1	Gearbox Assembly, Green
	50055442	1	Gearbox Assembly, Blue
	14	20414	4
15	20947	4	Capscrew 5/8" x 2" Gr.5
16	50017090	1	Front Deflector Kit (17-20)

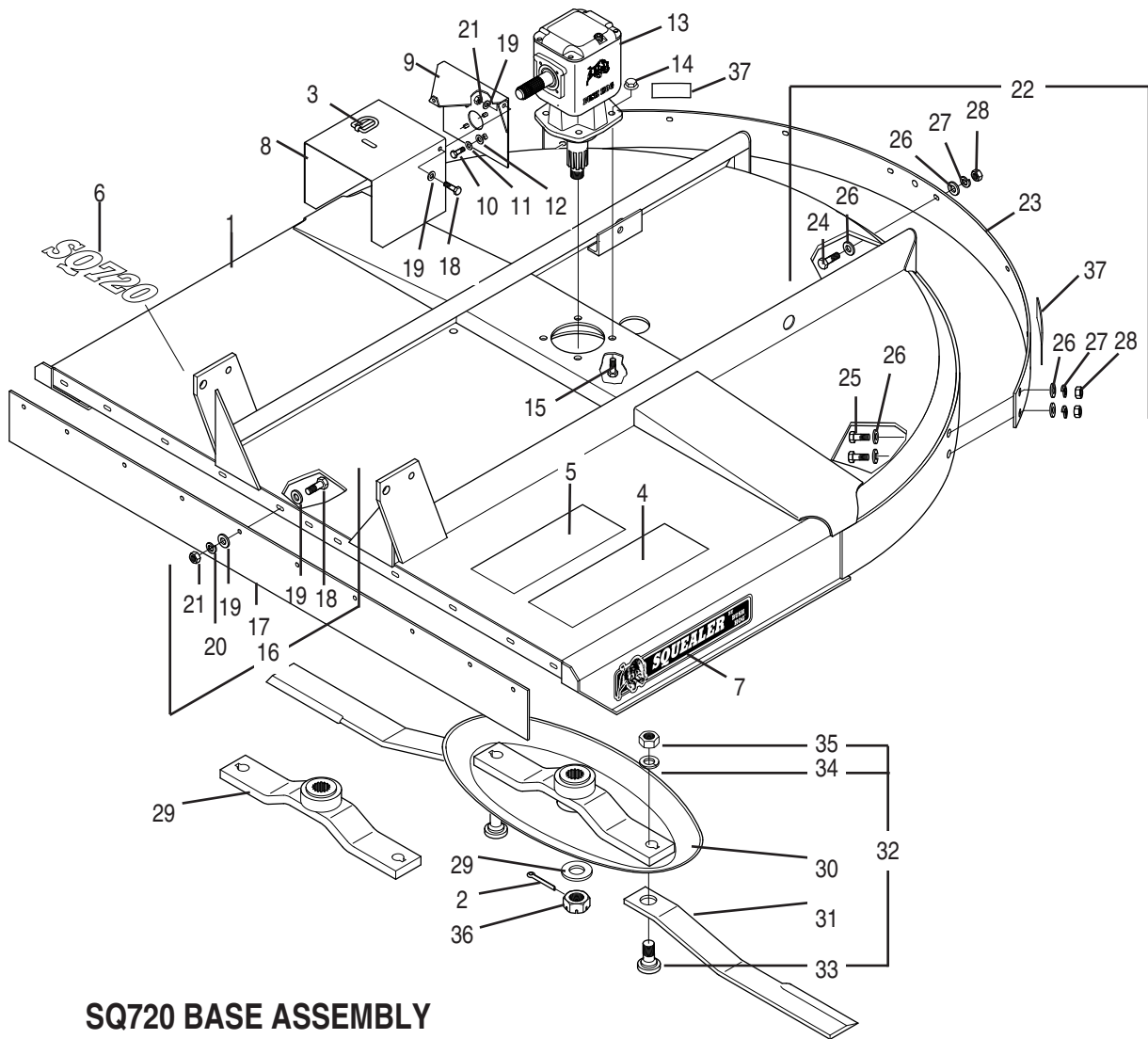
REF. NO.	PART NO.	QTY.	DESCRIPTION
17	50017094	1	Front Belting
18	—	7	Capscrew 3/8" x 1 1/4" Gr.5
19	—	14	Flatwasher 3/8"
20	—	7	Locknut 3/8"
21	50017089	1	Rear Deflector Kit (22 - 27)
22	50031225	1	Rear Band
23	—	8	Capscrew 3/8" x 1" Gr.5
24	—	16	Flatwasher 3/8"
25	—	8	Lockwasher 3/8"
26	—	8	Hex Nut 3/8"
27	50056852	1	Blade Bar Weldment, Black
28	50056851	1	Blade Pan Weldment, Black
29	63760	2	Blade 4' - Standard
30	66516	2	Blade Bolt Kit (31-33)
31	1259	2	Blade Bolt
32	66	2	Lockwasher 7/8"
33	15626	2	Jam Nut 7/8" NF
34	70694	1	Castle Nut
35	70695	1	Flatwasher (special)
36	70699	1	Cotter Pin
37	69391	1	Pin
38	44357	1	Capscrew 1/2" x 3"
39	—	1	Lockwasher 1/2"



**SQ600 BASE ASSEMBLY**

REF. NO.	PART NO.	QTY.	DESCRIPTION
1	50017869	1	Deck w/ Decals, Red
	50056600	1	Deck w/ Decals, Orange
	50056601	1	Deck w/ Decals, Green
	50056602	1	Deck w/ Decals, Blue
	65689	1	Decal Kit (Items 2-5)
	90252	1	Decal Kit (French)
2	70699	1	Cotter Pin
3	69391	1	Pin
4	50029417	1	Sheet Decal
5	50029419	1	Sheet Decal
6	99896	1	Model Decal
7	50056692	2	Squealer Decal
8	95549	1	Shield
9	95548	1	Mount Weld.- Shield
10	44215	4	Capscrew M8 x 1.25 x 15 Gr.8.8
11	44216	4	Lockwasher M8
12	44311	4	Flatwasher M8
13	50055506	1	Gearbox Assembly, Red
	50055507	1	Gearbox Assembly, Orange
	50055508	1	Gearbox Assembly, Green
	50055509	1	Gearbox Assembly, Blue
14	20414	4	Locknut 5/8" Flanged
15	20947	4	Capscrew 5/8" x 2" Gr.5

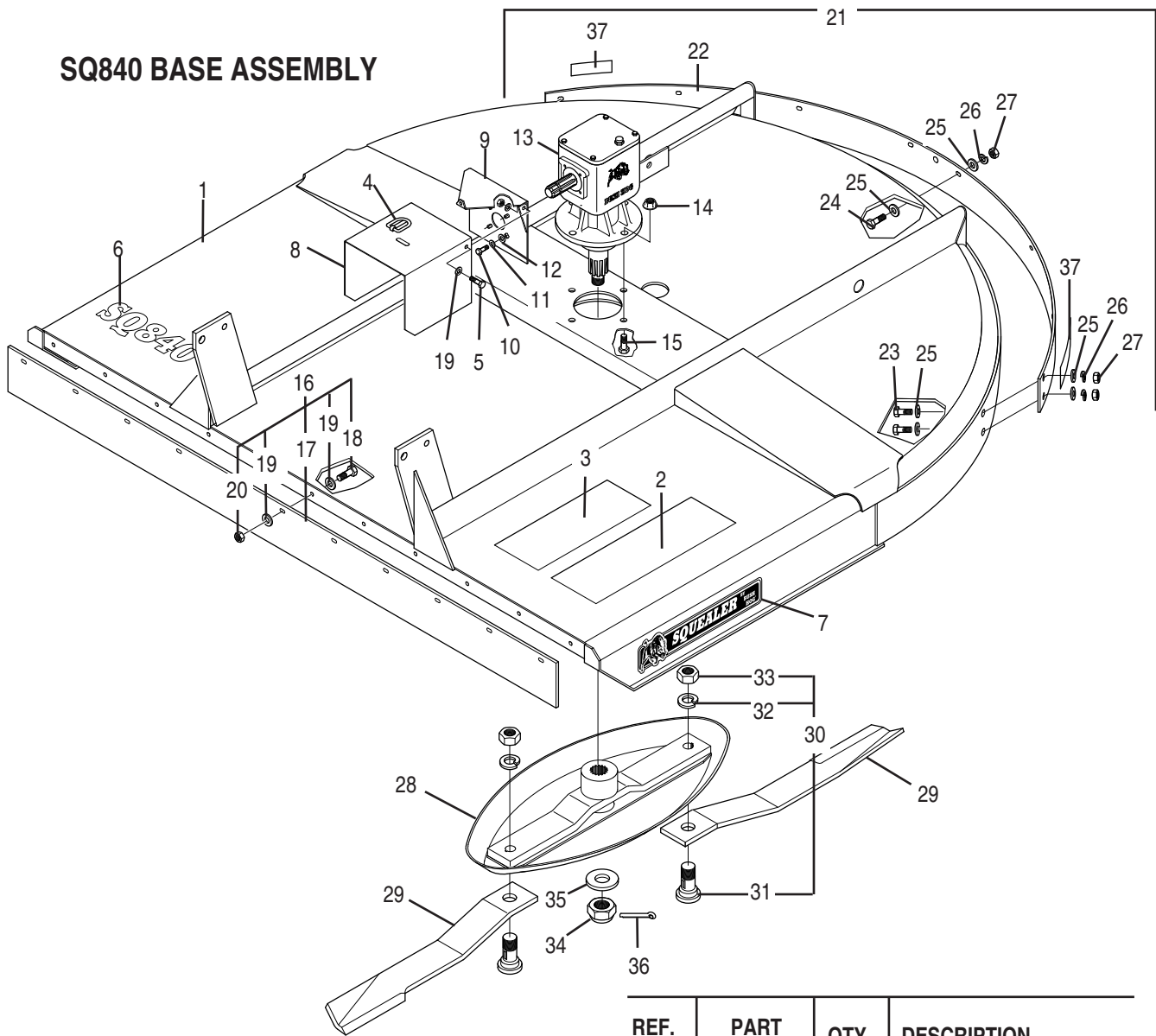
REF. NO.	PART NO.	QTY.	DESCRIPTION
16	50017906	1	Front Deflector Kit (17-21)
17	50017886	1	Front Belting
18	---	10	Capscrew 3/8" x 1 1/4" Gr.5
19	---	20	Flatwasher 3/8"
20	---	8	Lockwasher 3/8"
21	---	10	Locknut 3/8"
22	50017905	1	Rear Deflector Kit (23 - 28)
23	50017881	1	Rear Band
24	---	4	Capscrew 3/8" x 1-1/2" Gr.5
25	---	6	Capscrew 3/8" x 1" Gr.5
26	---	20	Flatwasher 3/8"
27	---	10	Lockwasher 3/8"
28	---	10	Hex Nut 3/8"
29	70695	1	Flatwasher (special)
30	50056855	1	Blade Pan Weldment, Black
31	36	2	Blade 5' - Standard
	7555	2	Blade 5' - Uplift (Optional)
32	63607	2	Blade Bolt Kit (33-35)
33	7919	2	Blade Bolt
34	20322	2	Lockwasher 1 1/8"
35	252	2	Jam Nut 1 1/8" NF
36	70694	1	Castle Nut



**SQ720 BASE ASSEMBLY**

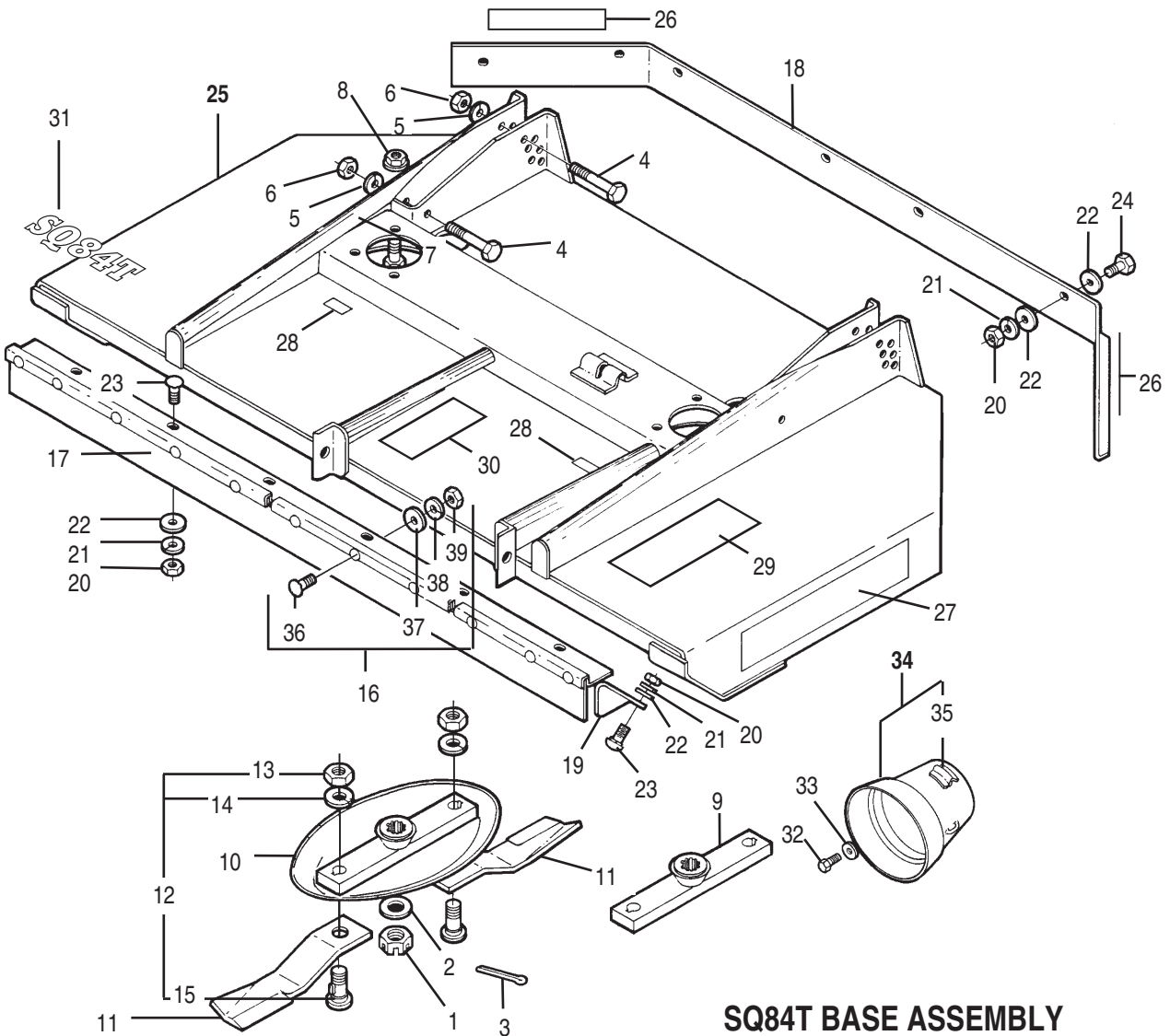
REF. NO.	PART NO.	QTY.	DESCRIPTION	REF. NO.	PART NO.	QTY.	DESCRIPTION
1	50017901	1	Deck w/ Decals, Red	16	50017921	1	Front Deflector Kit (17-21)
	50056607	1	Deck w/ Decals, Orange	17	50017896	1	Front Belting
	50056608	1	Deck w/ Decals, Green	18	—	12	Capscrew 3/8" x 1 1/4" Gr.5
	50056609	1	Deck w/ Decals, Blue	19	—	24	Flatwasher 3/8"
	65689	1	Decal Kit (Items 2-5)	20	—	10	Lockwasher 3/8"
	90252	1	Decal Kit (French)	21	—	12	Locknut 3/8"
2	70699	1	Cotter Pin	22	50017920	1	Rear Deflector Kit (23 - 28, 37)
3	69391	1	Pin	23	50031227	1	Rear Band w/ Reflectors
4	50029417	1	Sheet Decal	24	—	4	Capscrew 3/8" x 1-1/2" Gr.5
5	50029419	1	Sheet Decal	25	—	6	Capscrew 3/8" x 1" Gr.5
6	99897	1	Model Decal	26	—	20	Flatwasher 3/8"
7	50056692	2	Squealer Decal	27	—	10	Lockwasher 3/8"
8	95549	1	Shield	28	—	10	Hex Nut 3/8"
9	95548	1	Mount Weld.- Shield	29	70695	1	Flatwasher (special)
10	44215	4	Capscrew M8 x 1.25 x 15 Gr.8.8	30	50056854	1	Blade Pan Weldment, Black
11	44216	4	Lockwasher M8	31	304	2	Blade 6' - Standard
12	44311	4	Flatwasher M8		7556	2	Blade 6' - Uplift (Optional)
13	50056603	1	Gearbox Assembly, Red	32	63607	2	Blade Bolt Kit (33-35)
	50056604	1	Gearbox Assembly, Orange	33	7919	2	Blade Bolt
	50056605	1	Gearbox Assembly, Green	34	20322	2	Lockwasher 1 1/8"
	50056606	1	Gearbox Assembly, Blue	35	252	2	Jam Nut 1 1/8" NF
14	20414	4	Locknut 5/8" Flanged	36	70694	1	Castle Nut
15	20947	4	Capscrew 5/8" x 2" Gr.5	37	50031213	2	Red Reflector

**SQ840 BASE ASSEMBLY**



REF. NO.	PART NO.	QTY.	DESCRIPTION
1	50017054	1	Deck w/ Decals, Red
	50056616	1	Deck w/ Decals, Orange
	50056617	1	Deck w/ Decals, Green
	50056618	1	Deck w/ Decals, Blue
	65689	1	Decal Kit (Items 2-5)
	90252	1	Decal Kit (French)
2	50029417	1	Sheet Decal
3	50029419	1	Sheet Decal
4	69391	1	Pin
5	—	2	Capscrew 3/8" x 1 1/4" Gr.5
6	99898	1	Model Decal
7	50056692	2	Squealer Decal
8	95549	1	Shield
9	95548	1	Mount Weld.- Shield
10	44215	4	Capscrew M8 x 1.25 x 15 Gr.8.8
11	44216	4	Lockwasher M8
12	44311	4	Flatwasher M8
13	50056612	1	Gearbox Assembly, Red
	50056613	1	Gearbox Assembly, Orange
	50056614	1	Gearbox Assembly, Green
	50056615	1	Gearbox Assembly, Blue

REF. NO.	PART NO.	QTY.	DESCRIPTION
14	20299	4	Locknut 3/4" Flanged
15	20202	4	Capscrew 3/4" x 2" Gr.5
16	50017056	1	Front Deflector Kit (17-20)
17	50017044	1	Front Belting
18	—	11	Capscrew 3/8" x 3" Gr.5
19	—	22	Flatwasher 3/8"
20	—	11	Locknut 3/8"
21	50017055	1	Rear Deflector Kit (22 - 27)
22	50031228	1	Rear Band w/ Reflectors
23	—	4	Capscrew 3/8" x 1-1/2" Gr.5
24	—	6	Capscrew 3/8" x 1" Gr.5
25	—	20	Flatwasher 3/8"
26	—	10	Lockwasher 3/8"
27	—	10	Hex Nut 3/8"
28	50056853	1	Blade Pan Weldment, Black
29	7557	2	Blade 7" - Standard
30	63607	2	Blade Bolt Kit (31-33)
31	7919	2	Blade Bolt
32	20322	2	Lockwasher 1 1/8"
33	252	2	Jam Nut 1 1/8" NF
34	70076	1	Castle Nut M30
35	70900	1	Flatwasher (special)
36	15473	1	Cotter Pin
37	50031214	2	Red Reflector



**SQ84T BASE ASSEMBLY**

REF. NO.	PART NO.	QTY.	DESCRIPTION
1	70076	1	Blade Nut
2	70077	1	Flatwasher
3	70075	1	Cotter Pin
4	—	4	Capscrew 5/8" x 3 3/4" Gr.5
5	—	4	Lockwasher 5/8"
6	—	4	Hex Nut 5/8"
7	—	8	Capscrew 5/8"x 1 3/4" Gr.5
8	20414	8	Flanged Locknut 5/8"
9	83187	1	Blade
10	50056856	1	Form
11	67744	2	Blade
12	63607	1	Blade Bolt Kit
13	252	2	Hex Nut 1 1/8"
14	20322	2	Lockwasher
15	7919	2	Blade Bolt
16	81011	1	Safety Shield Kit Front Belting Assy.
17	79359	1	Belting
18	79005	1	Rear Shield
19	79363	1	Side Shield L.H.
	79364	1	Side Shield R.H.
20	—	18	Hex Nut 3/8"

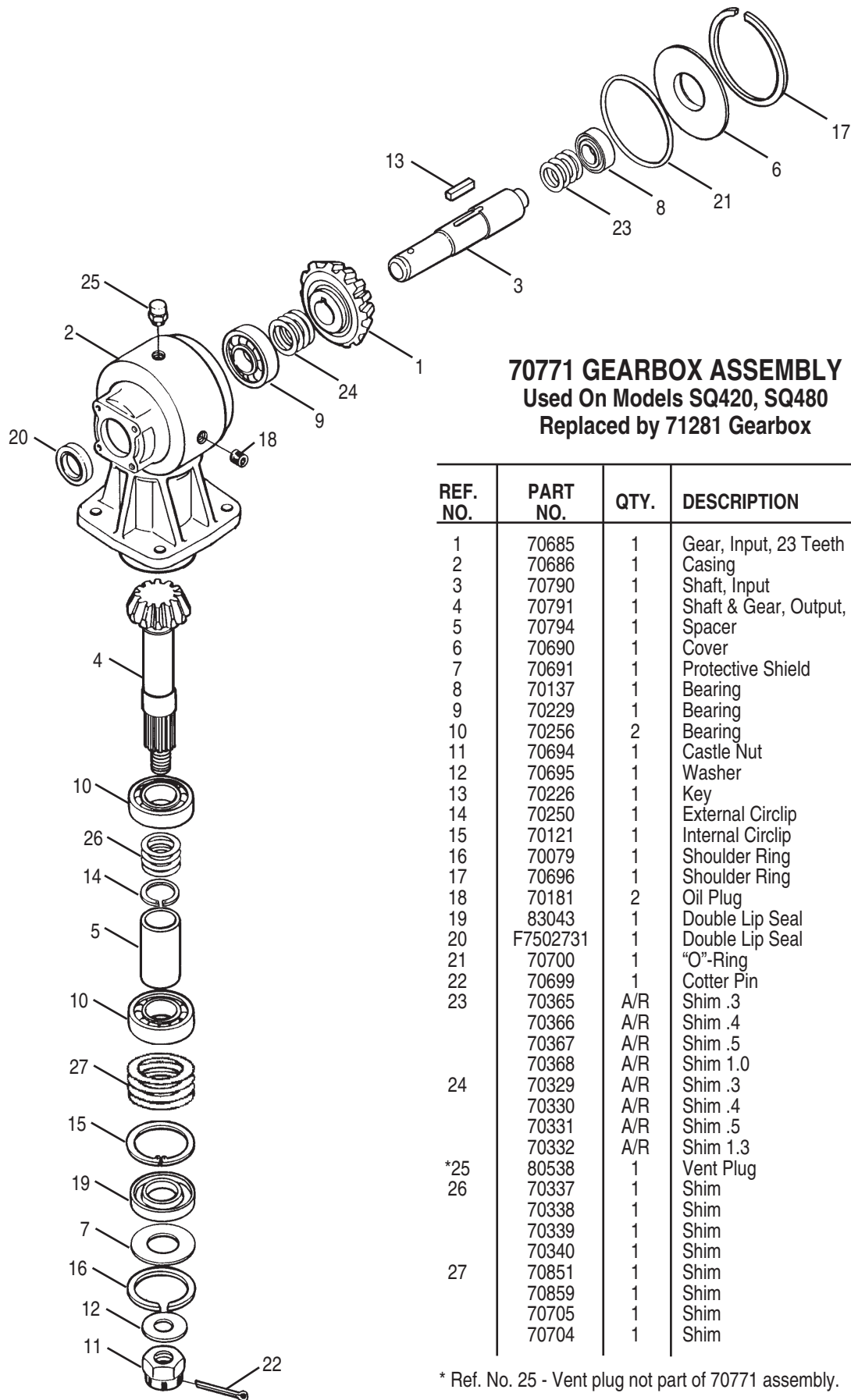
REF. NO.	PART NO.	QTY.	DESCRIPTION
21	—	18	Lockwasher 3/8"
22	—	30	Flatwasher 3/8"
23	19418	10	Carriage Bolt 3/8" x 1 1/4"
24	—	8	Capscrew 3/8" x 1" Gr.5
25	78805	1	Deck w/ Decals, Red
	50056671	1	Deck w/ Decals, Orange
	50056672	1	Deck w/ Decals, Green
	50056673	1	Deck w/ Decals, Blue
	78810	1	Decal Kit (26-31)
26	50031214	2	Red Reflector
27	50054949	2	Squealer Decal
28	69878	2	Blade Rotation Decal (CCW)
29	50029417	1	Sheet Decal
30	50029419	1	Sheet Decal
31	50021265	1	Model Decal
32	44215	4	Capscrew M8 x 1.25 x 15 mm
33	44216	4	Flatwasher m8
34	81592	1	Shield Assy.
35	68551	2	Cover
36	44319	11	Carriage Bolt 5/16" x 1"
37	—	11	Flatwasher 5/16"
38	—	11	Lockwasher 5/16"
39	—	11	Hex Nut 5/16"

Chng to 15918BH  
4 Flatwasher 1/4"

Chng to 50068436

chng to 90560

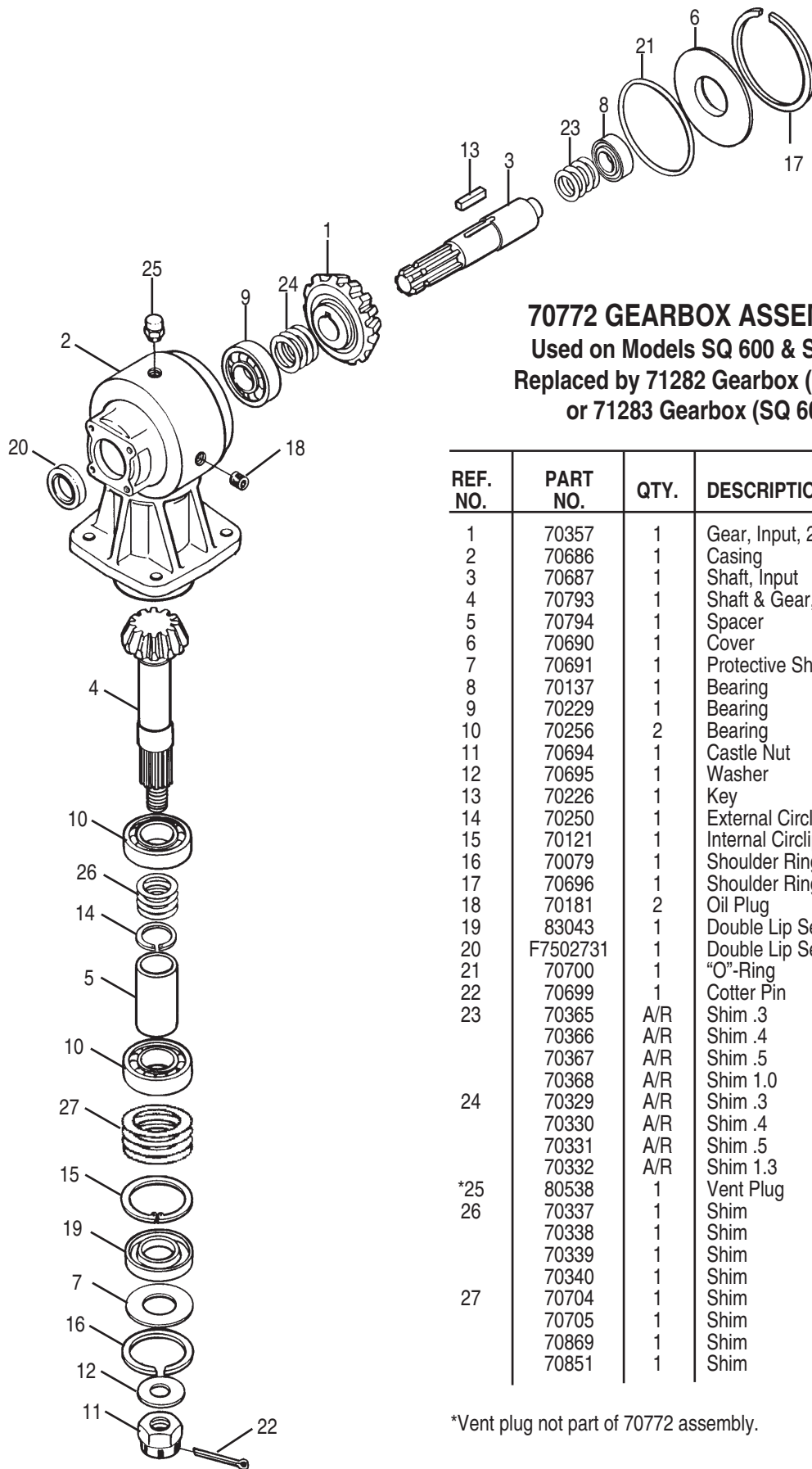




**70771 GEARBOX ASSEMBLY**  
 Used On Models SQ420, SQ480  
 Replaced by 71281 Gearbox

REF. NO.	PART NO.	QTY.	DESCRIPTION
1	70685	1	Gear, Input, 23 Teeth
2	70686	1	Casing
3	70790	1	Shaft, Input
4	70791	1	Shaft & Gear, Output, 12 Teeth
5	70794	1	Spacer
6	70690	1	Cover
7	70691	1	Protective Shield
8	70137	1	Bearing
9	70229	1	Bearing
10	70256	2	Bearing
11	70694	1	Castle Nut
12	70695	1	Washer
13	70226	1	Key
14	70250	1	External Circlip
15	70121	1	Internal Circlip
16	70079	1	Shoulder Ring
17	70696	1	Shoulder Ring
18	70181	2	Oil Plug
19	83043	1	Double Lip Seal
20	F7502731	1	Double Lip Seal
21	70700	1	"O"-Ring
22	70699	1	Cotter Pin
23	70365	A/R	Shim .3
	70366	A/R	Shim .4
	70367	A/R	Shim .5
	70368	A/R	Shim 1.0
24	70329	A/R	Shim .3
	70330	A/R	Shim .4
	70331	A/R	Shim .5
	70332	A/R	Shim 1.3
*25	80538	1	Vent Plug
26	70337	1	Shim
	70338	1	Shim
	70339	1	Shim
	70340	1	Shim
27	70851	1	Shim
	70859	1	Shim
	70705	1	Shim
	70704	1	Shim

\* Ref. No. 25 - Vent plug not part of 70771 assembly.



**70772 GEARBOX ASSEMBLY**  
 Used on Models SQ 600 & SQ 720  
 Replaced by 71282 Gearbox (SQ 720)  
 or 71283 Gearbox (SQ 600)

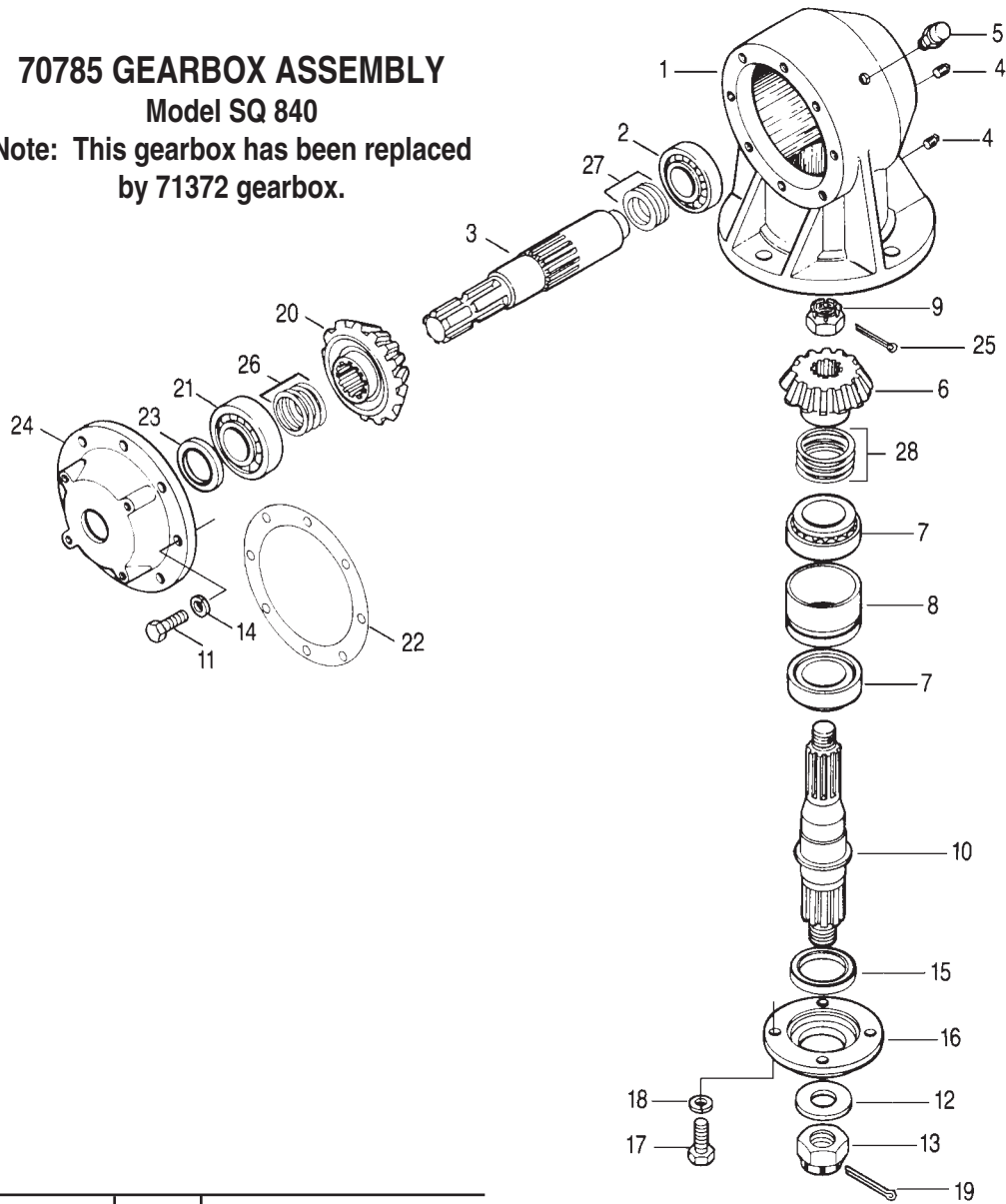
REF. NO.	PART NO.	QTY.	DESCRIPTION
1	70357	1	Gear, Input, 22 Teeth
2	70686	1	Casing
3	70687	1	Shaft, Input
4	70793	1	Shaft & Gear, Output, 15 Teeth
5	70794	1	Spacer
6	70690	1	Cover
7	70691	1	Protective Shield
8	70137	1	Bearing
9	70229	1	Bearing
10	70256	2	Bearing
11	70694	1	Castle Nut
12	70695	1	Washer
13	70226	1	Key
14	70250	1	External Circlip
15	70121	1	Internal Circlip
16	70079	1	Shoulder Ring
17	70696	1	Shoulder Ring
18	70181	2	Oil Plug
19	83043	1	Double Lip Seal
20	F7502731	1	Double Lip Seal
21	70700	1	"O"-Ring
22	70699	1	Cotter Pin
23	70365	A/R	Shim .3
	70366	A/R	Shim .4
	70367	A/R	Shim .5
	70368	A/R	Shim 1.0
24	70329	A/R	Shim .3
	70330	A/R	Shim .4
	70331	A/R	Shim .5
	70332	A/R	Shim 1.3
*25	80538	1	Vent Plug
26	70337	1	Shim
	70338	1	Shim
	70339	1	Shim
	70340	1	Shim
27	70704	1	Shim
	70705	1	Shim
	70869	1	Shim
	70851	1	Shim

\*Vent plug not part of 70772 assembly.

### 70785 GEARBOX ASSEMBLY

Model SQ 840

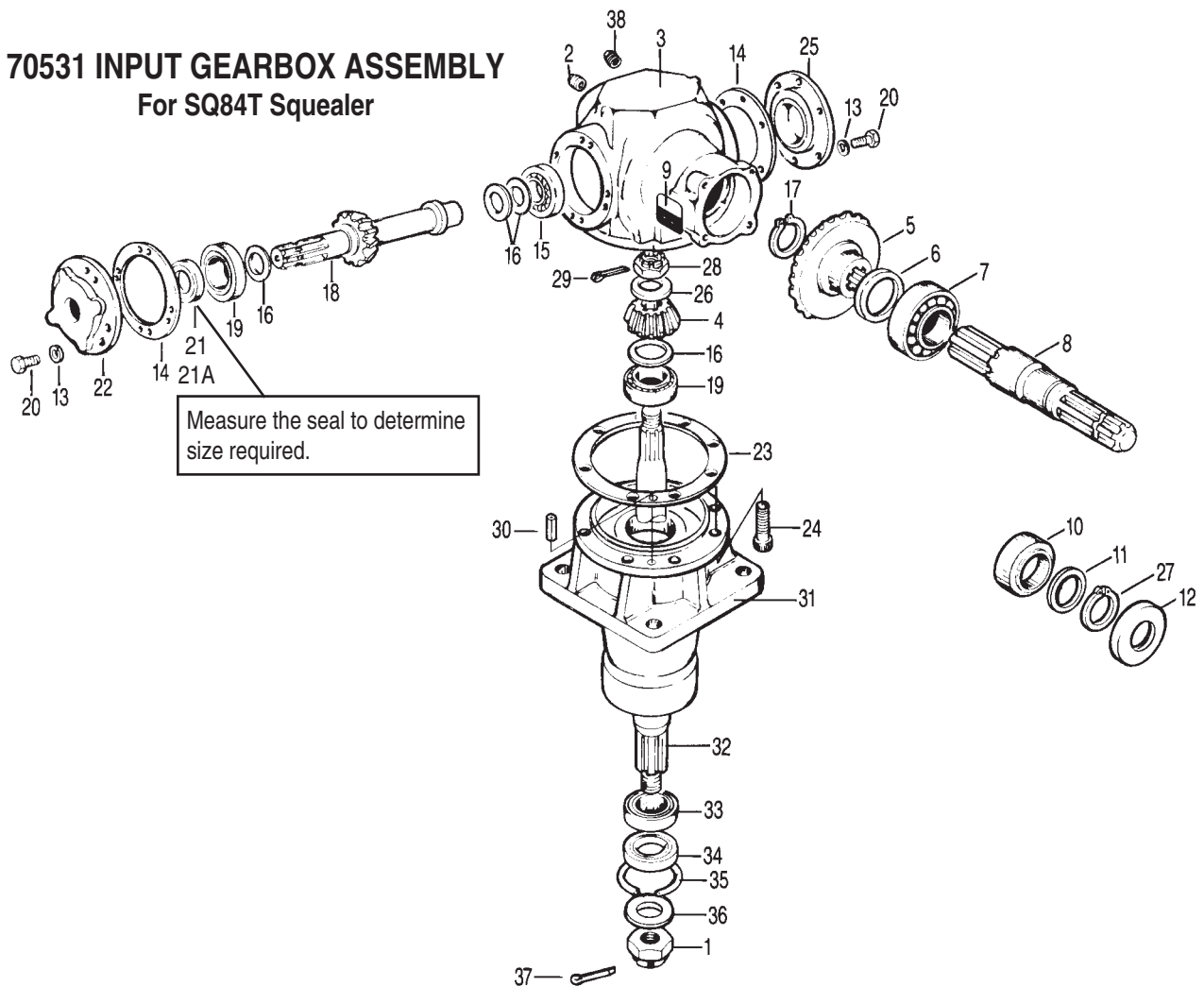
Note: This gearbox has been replaced by 71372 gearbox.



REF. NO.	PART NO.	QTY.	DESCRIPTION
1	70784	1	Housing Casting
2	70082	1	Bearing
3	70073	1	Input Shaft 1 3/8" - 6 spline
4	70292	2	Plug 3/8"
5	80538	1	Vent Plug
6	70408	1	Pinion 15 Teeth
7	70800	2	Bearing
8	70774	1	Spacer
9	70570	1	Castle Nut m30 x 1.5
10	70775	1	Shaft, Output
11	F7502860	8	Bolt m8 x 22 Gr.8.8
12	70077	1	Washer
13	92387	1	Castle Nut (Special)
14	70185	8	Lockwasher m8
15	70777	1	Seal, Double Lip
16	70778	1	Cover, Lower
17	70269	4	Bolt m10 x 25
18	70161	4	Lockwasher m10
19	70779	1	Gasket
20	70406	1	Gear 19 Teeth

REF. NO.	PART NO.	QTY.	DESCRIPTION
21	70750	1	Bearing
22	70780	1	Gasket
23	70781	1	Seal
24	70782	1	Cover, Top
25	70571	1	Cotter Pin
26	15473	1	Cotter Pin 1/4" x 2 1/2"
27	70337	1	Shim .3mm
	70338	1	Shim .4mm
	70339	1	Shim .5mm
	70340	1	Shim 1.mm
28	70329	1	Shim .3mm
	70330	1	Shim .4mm
	70331	1	Shim .5mm
	70332	1	Shim 1.mm
29	70344	1	Shim .3mm
	70345	1	Shim .5mm
	70346	1	Shim 1.mm
	70437	1	Shim .4mm

### 70531 INPUT GEARBOX ASSEMBLY For SQ84T Squealer



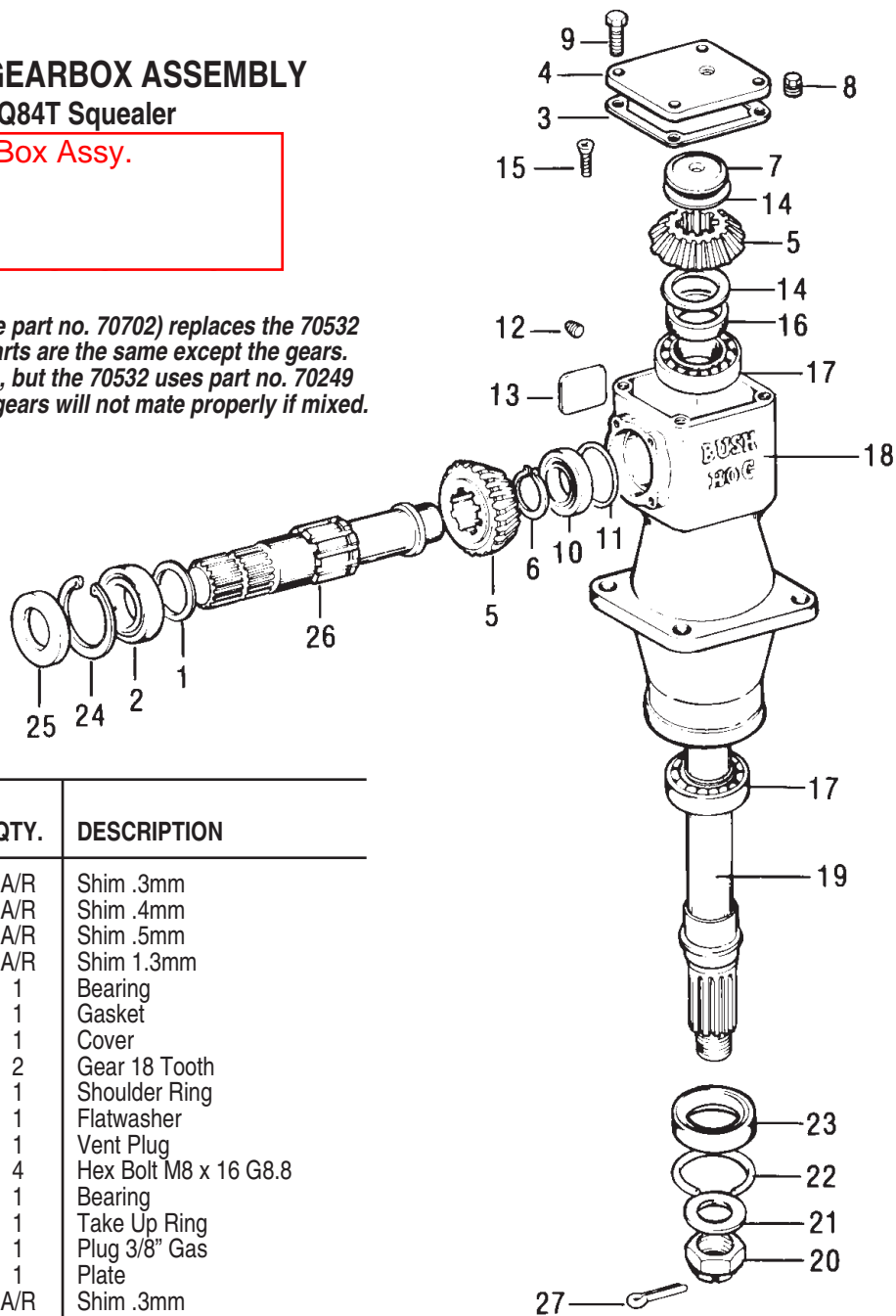
REF. NO.	PART NO.	QTY.	DESCRIPTION	REF. NO.	PART NO.	QTY.	DESCRIPTION
1	70076	1	Castle Nut	17	70563	1	External Retaining Ring
2	70393	1	Gas Plug	18	70564	1	Pinion Shaft w/ Gear (13 Tooth)
3	70554	1	Housing	19	70797	2	Bearing
4	70555	1	Pinion Gear 13 Tooth	20	70278	16	Bolt M8 x 20
5	70556	1	Crown Gear 24 Tooth	21	70565	1	Oil Seal 35 x 45 x 7mm
6	70352	A/R	Shim .3mm	21A	F7502731	1	Oil Seal 35 x 52 x 7mm
	70353	A/R	Shim .4mm	22	70566	1	Cover
	70354	A/R	Shim .5mm	23	70266	1	Gasket
	70355	A/R	Shim 1.0mm	24	70302	8	Screw M10 x 25
7	70557	1	Bearing	25	70567	1	Cover
8	70558	1	Input Shaft	26	70568	1	Spacer
9	N/A	1	Plate	27	70569	1	External Retaining Ring
10	70194	1	Bearing	28	70570	1	Nut M30 x 15
11	70348	A/R	Shim .3mm	29	70571	1	Cotter Pin B4 x 50
	70349	A/R	Shim .4mm	30	70304	2	Spring Pin 10 x 26
	70350	A/R	Shim .5mm	31	70572	1	Extension
	70351	A/R	Shim 1.0mm	32	70573	1	Shaft
12	70190	1	Oil Seal	33	70795	1	Bearing
13	70185	16	Washer	34	70242	1	Dust Excluder
14	70561	2	Gasket	35	70779	1	Shoulder Ring
15	70229	1	Bearing	36	70077	1	Flatwasher
16	70329	A/R	Shim .3mm	37	15473	1	Cotter Pin 1/4" x 2-1/2"
	70330	A/R	Shim .4mm	38	70546	1	Vent Plug
	70331	A/R	Shim .5mm				
	70332	A/R	shim 1.0mm				

**Abbreviations**  
A/R – As Required  
N/A – Not Available

## OUTBOARD GEARBOX ASSEMBLY For SQ84T Squealer

70702 Gear Box Assy.

*Note: This gearbox (base part no. 70702) replaces the 70532 gearbox. All internal parts are the same except the gears. Both use 18 tooth gears, but the 70532 uses part no. 70249 instead of 70701. These gears will not mate properly if mixed.*



REF. NO.	PART NO.	QTY.	DESCRIPTION
1	70329	A/R	Shim .3mm
	70330	A/R	Shim .4mm
	70331	A/R	Shim .5mm
	70332	A/R	Shim 1.3mm
2	70229	1	Bearing
*3	70152	1	Gasket
4	70092	1	Cover
5	70701	2	Gear 18 Tooth
6	70248	1	Shoulder Ring
7	70442	1	Flatwasher
8	70546	1	Vent Plug
9	70326	4	Hex Bolt M8 x 16 G8.8
10	70137	1	Bearing
11	70138	1	Take Up Ring
12	70292	1	Plug 3/8" Gas
13	N/A	1	Plate
14	70337	A/R	Shim .3mm
	70338	A/R	Shim .4mm
	70339	A/R	Shim .5mm
	70340	A/R	Shim 1.0mm
15	70441	1	Screw, Counter Sink M14 x 45
16	70251	1	Spacer
17	70795	2	Bearing
18	70093	1	Housing
19	70440	1	Shaft
20	70076	1	Castle Nut M30 x 26
21	70077	1	Flatwasher
22	70079	1	Shoulder Ring
23	70242	1	Dust Excluder 45 x 80 x 10
24	70133	1	Internal Circlip
25	70134	1	Dust Excluder 35 x 72 x 12
26	70553	1	Shaft 1-3/8" - 21 Spline
27	15473	1	Cotter Pin 1/4" x 2-1/2"

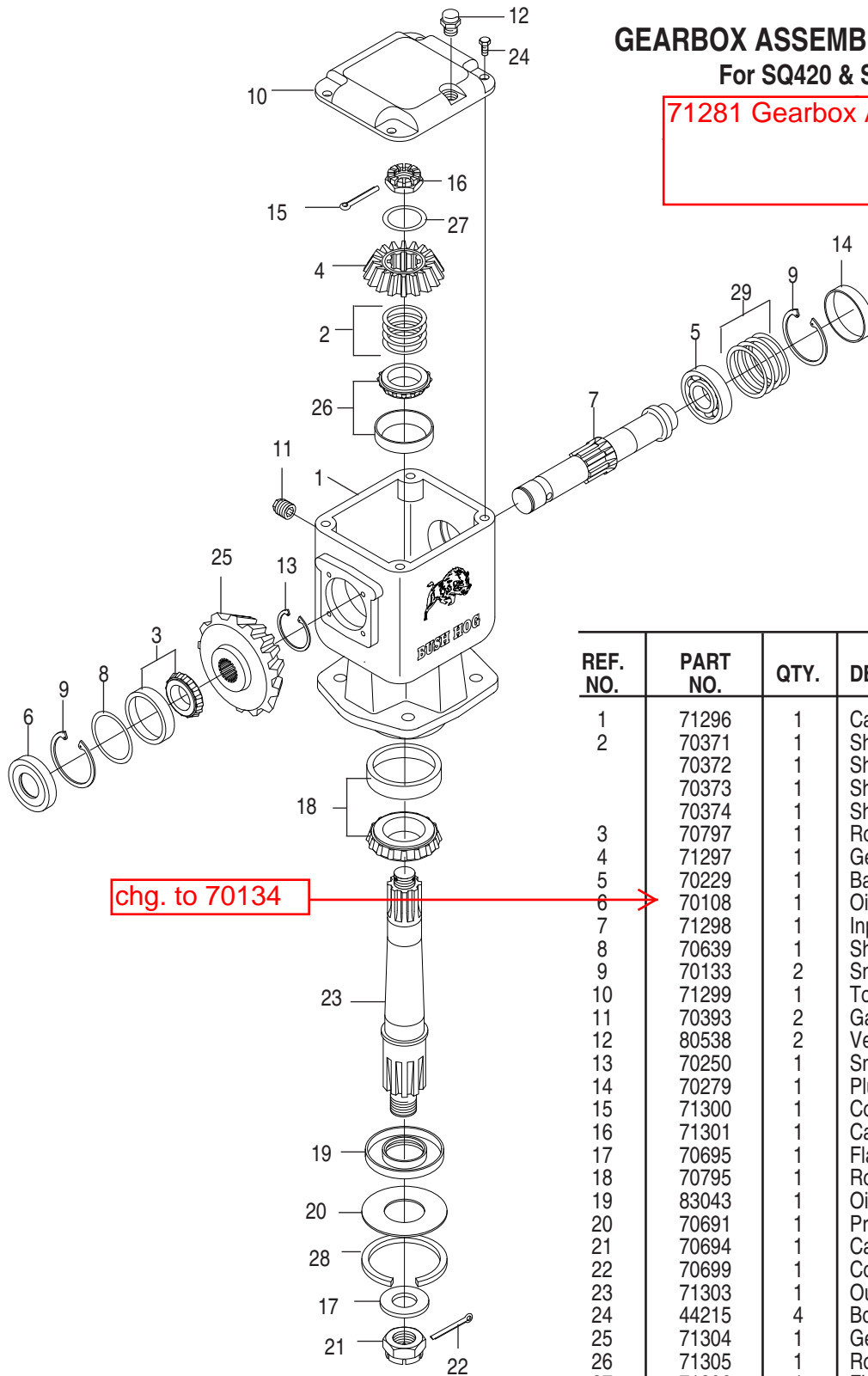
\*May apply silicone sealer in place of gasket.

**Abbreviations**  
A/R - As Required  
N/A - Not Available

### GEARBOX ASSEMBLY (540 RPM)

For SQ420 & SQ480

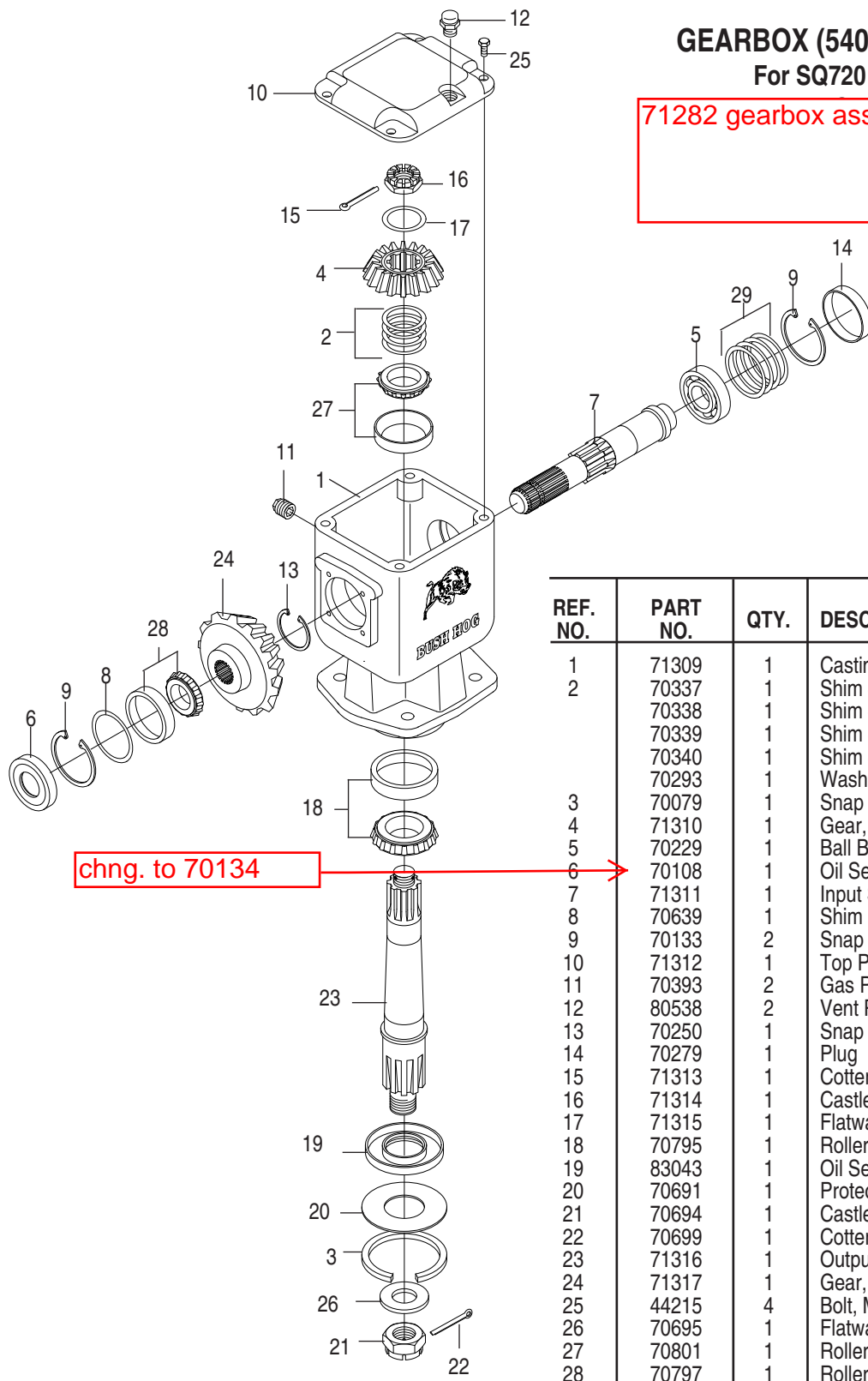
71281 Gearbox Assy.



REF. NO.	PART NO.	QTY.	DESCRIPTION
1	71296	1	Casting
2	70371	1	Shim 43 x 30.3 x .3
	70372	1	Shim 43 x 30.3 x .4
	70373	1	Shim 43 x 30.3 x .5
	70374	1	Shim 43 x 30.3 x 1
	70797	1	Roller Bearing
3	71297	1	Gear, Pinion, 13 Teeth
4	70229	1	Ball Bearing 6207
5	70108	1	Oil Seal
6	70108	1	Oil Seal
7	71298	1	Input Shaft
8	70639	1	Shim 60.3 x 71.7 x .3
9	70133	2	Snap Ring
10	71299	1	Top Plate
11	70393	2	Gas Plug
12	80538	2	Vent Plug
13	70250	1	Snap Ring
14	70279	1	Plug
15	71300	1	Cotter Pin
16	71301	1	Castle Nut M20 x 1
17	70695	1	Flatwasher 25 x 44 x 4
18	70795	1	Roller Bearing
19	83043	1	Oil Seal 40 x 80 x 12
20	70691	1	Protective Washer
21	70694	1	Castle Nut M24 x 2
22	70699	1	Cotter Pin 5 x 50
23	71303	1	Output Shaft
24	44215	4	Bolt, M8 x 1.25 x 15
25	71304	1	Gear, Crown, 25 Spline
26	71305	1	Roller Bearing
27	71306	1	Flatwasher 21 x 37 x 1
28	70079	1	Snap Ring
29	70639	1	Shim 60.3 x 71.7 x .3
	70640	2	Shim 60.3 x 71.7 x .4
	70641	2	Shim 60.3 x 71.7 x .5
	70642	2	Shim 60.3 x 71.7 x 1.0

### GEARBOX (540 RPM) For SQ720

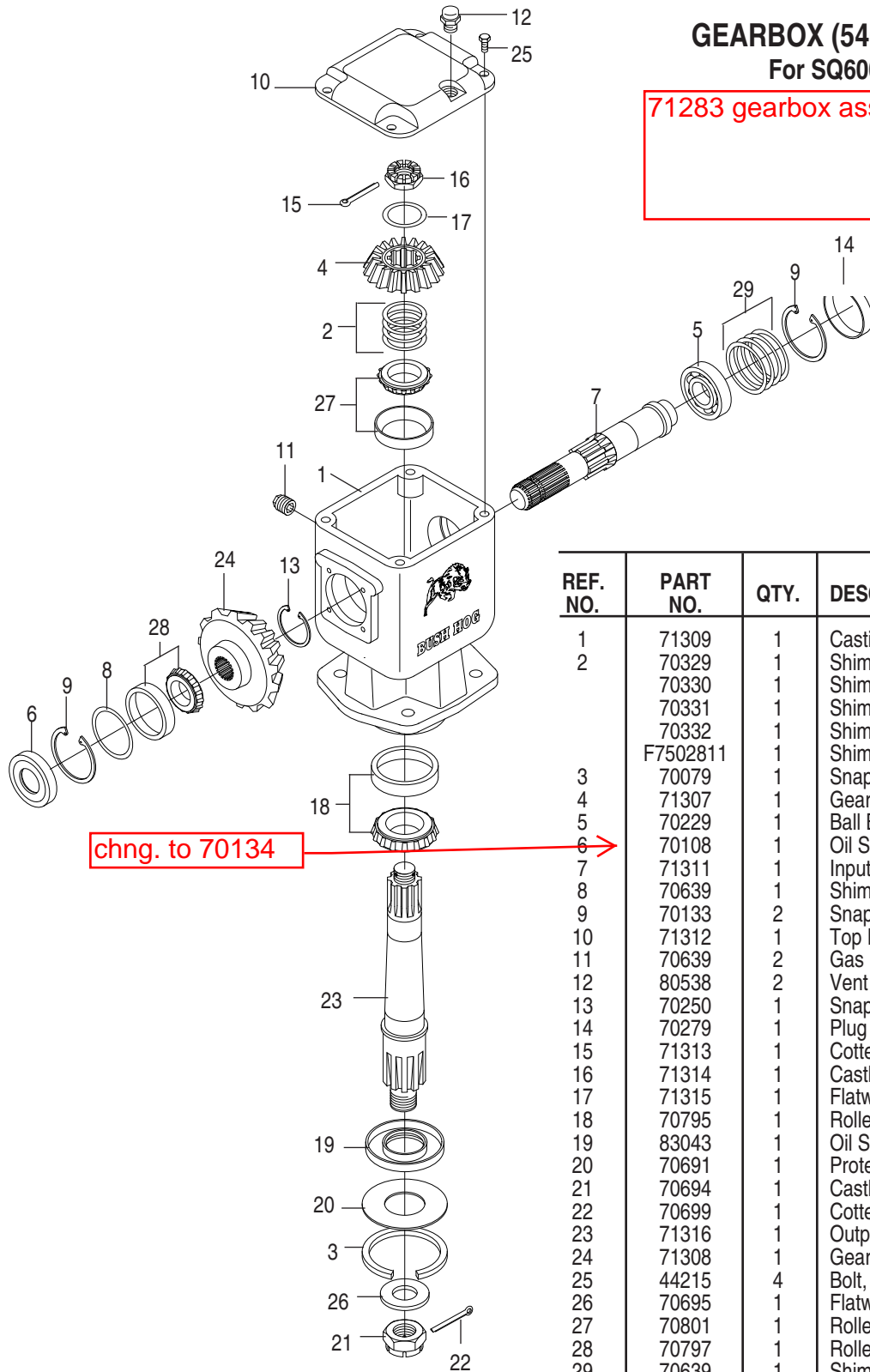
71282 gearbox assembly



REF. NO.	PART NO.	QTY.	DESCRIPTION
1	71309	1	Casting
2	70337	1	Shim 40.3 x 51.5 x .3
	70338	1	Shim 40.3 x 51.5 x .4
	70339	1	Shim 40.3 x 51.5 x .5
	70340	1	Shim 40.3 x 51.5 x 1
	70293	1	Washer
3	70079	1	Snap Ring
4	71310	1	Gear, Pinion, 15 Teeth
5	70229	1	Ball Bearing 6207
6	70108	1	Oil Seal
7	71311	1	Input Shaft
8	70639	1	Shim 60.3 x 71.7 x .3
9	70133	2	Snap Ring
10	71312	1	Top Plate
11	70393	2	Gas Plug
12	80538	2	Vent Plug
13	70250	1	Snap Ring
14	70279	1	Plug
15	71313	1	Cotter Pin
16	71314	1	Castle Nut M24 x 1.5
17	71315	1	Flatwasher 25 x 48 x 2.5
18	70795	1	Roller Bearing
19	83043	1	Oil Seal 40 x 80 x 12
20	70691	1	Protective Washer
21	70694	1	Castle Nut M24 x 2
22	70699	1	Cotter Pin 5 x 50
23	71316	1	Output Shaft
24	71317	1	Gear, Crown, 22 Spline
25	44215	4	Bolt, M8 x 1.25 x 15
26	70695	1	Flatwasher 25 x 44 x 4
27	70801	1	Roller Bearing
28	70797	1	Roller Bearing
29	70639	1	Shim 60.3 x 71.7 x .3
	70640	2	Shim 60.3 x 71.7 x .4
	70641	2	Shim 60.3 x 71.7 x .5
	70642	2	Shim 60.3 x 71.7 x 1.0

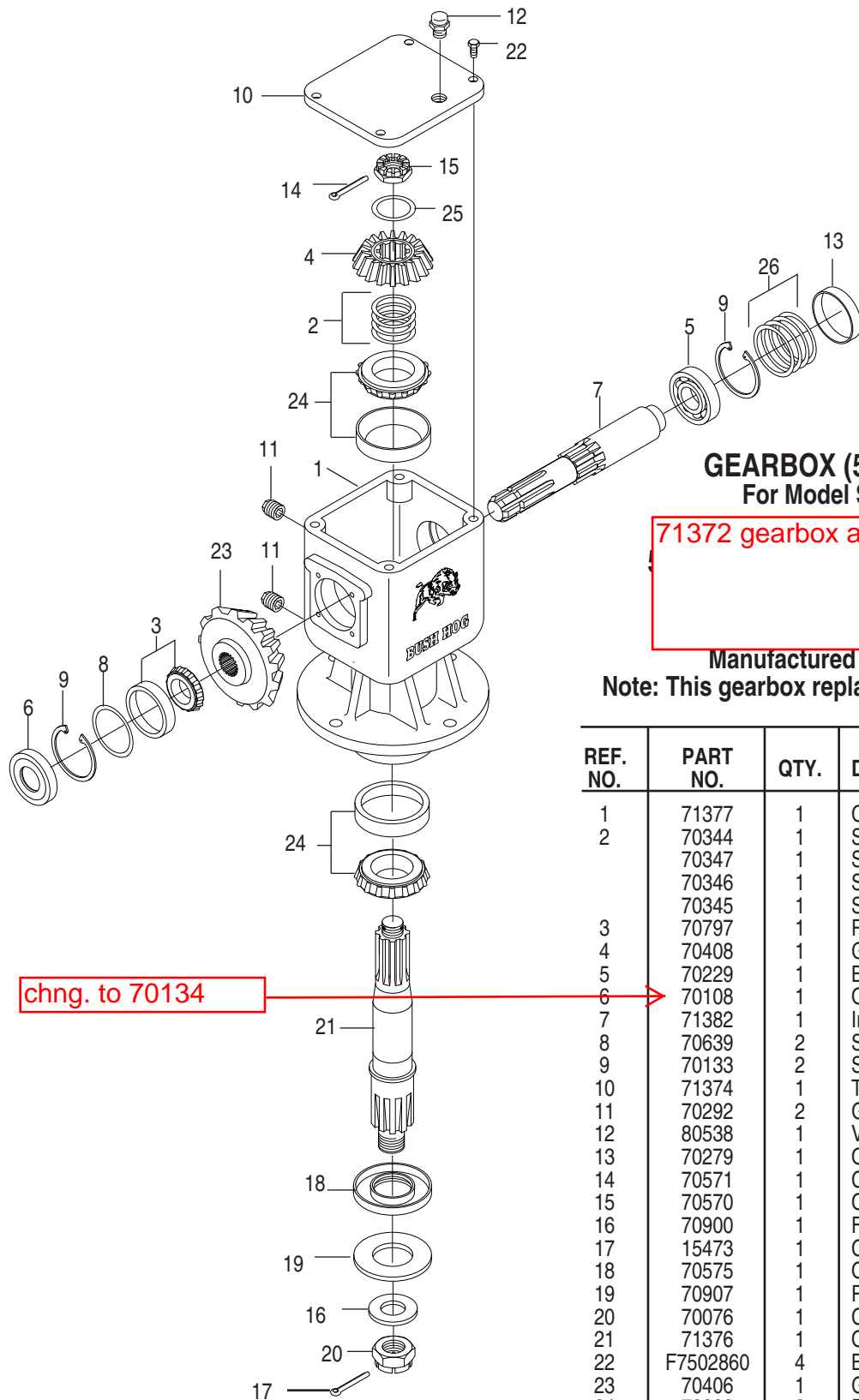
### GEARBOX (540 RPM) For SQ600

71283 gearbox assy.



REF. NO.	PART NO.	QTY.	DESCRIPTION
1	71309	1	Casting
2	70329	1	Shim 35.3 x 48 x .3
	70330	1	Shim 35.3 x 48 x .4
	70331	1	Shim 35.3 x 48 x .5
	70332	1	Shim 35.3 x 48 x 1.0
	F7502811	1	Shim 35.3 x 48 x 2.5
3	70079	1	Snap Ring
4	71307	1	Gear, Pinion, 13 Teeth
5	70229	1	Ball Bearing 6207
6	70108	1	Oil Seal
7	71311	1	Input Shaft
8	70639	1	Shim 60.3 x 71.7 x .3
9	70133	2	Snap Ring
10	71312	1	Top Plate
11	70639	2	Gas Plug
12	80538	2	Vent Plug
13	70250	1	Snap Ring
14	70279	1	Plug
15	71313	1	Cotter Pin
16	71314	1	Castle Nut M24 x 1.5
17	71315	1	Flatwasher 25 x 48 x 2.5
18	70795	1	Roller Bearing
19	83043	1	Oil Seal 40 x 80 x 12
20	70691	1	Protective Washer
21	70694	1	Castle Nut M24 x 2
22	70699	1	Cotter Pin 5 x 50
23	71316	1	Output Shaft
24	71308	1	Gear, Crown, 22 Spline
25	44215	4	Bolt, M8 x 1.25 x 15
26	70695	1	Flatwasher 25 x 44 x 4
27	70801	1	Roller Bearing
28	70797	1	Roller Bearing
29	70639	1	Shim 60.3 x 71.7 x .3
	70640	2	Shim 60.3 x 71.7 x .4
	70641	2	Shim 60.3 x 71.7 x .5
	70642	2	Shim 60.3 x 71.7 x 1.0





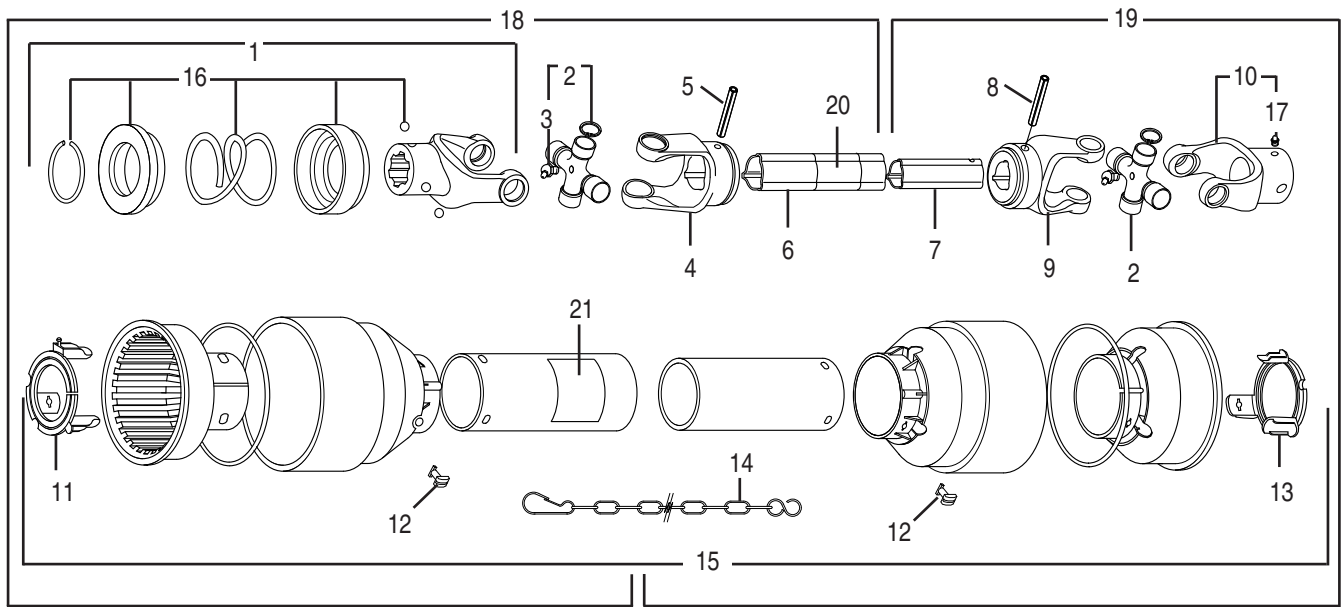
**GEARBOX (540 RPM)  
For Model SQ 840**

71372 gearbox assembly

**Manufactured by Comer**  
**Note: This gearbox replaces 70785 gearbox.**

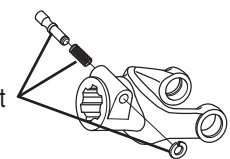
REF. NO.	PART NO.	QTY.	DESCRIPTION
1	71377	1	Casting
2	70344	1	Shim 50.3 x 70.3 x .03
	70347	1	Shim 50.3 x 70.3 x 0.4
	70346	1	Shim 50.3 x 70.3 x 1.0
	70345	1	Shim 50.3 x 70.3 x 0.5
	70345	1	Shim 50.3 x 70.3 x 0.5
3	70797	1	Roller Bearing
4	70408	1	Gear, Pinion, 15 Teeth
5	70229	1	Ball Bearing 6207
6	70108	1	Oil Seal
7	71382	1	Input Shaft
8	70639	2	Shim 60.3 x 71.7 x .3
9	70133	2	Snap Ring
10	71374	1	Top Plate
11	70292	2	Gas Plug
12	80538	1	Vent Plug
13	70279	1	Oil Cap
14	70571	1	Cotter Pin
15	70570	1	Castle Nut M30 x 1.5
16	70900	1	Flatwasher 31 x 56 x 6
17	15473	1	Cotter Pin
18	70575	1	Oil Seal 50 x 90 x 10
19	70907	1	Protective Washer
20	70076	1	Castle Nut M30 x 2
21	71376	1	Output Shaft
22	F7502860	4	Bolt, M8 x 22 HHB G8.8
23	70406	1	Gear, Crown, 19 Spline
24	70800	2	Roller Bearing
25	70374	1	Shim 30.3 x 44 x 1.0
26	70639	1	Shim 60.3 x 71.7 x .3
	70640	2	Shim 60.3 x 71.7 x .4
	70641	2	Shim 60.3 x 71.7 x .5
	70642	2	Shim 60.3 x 71.7 x 1.0



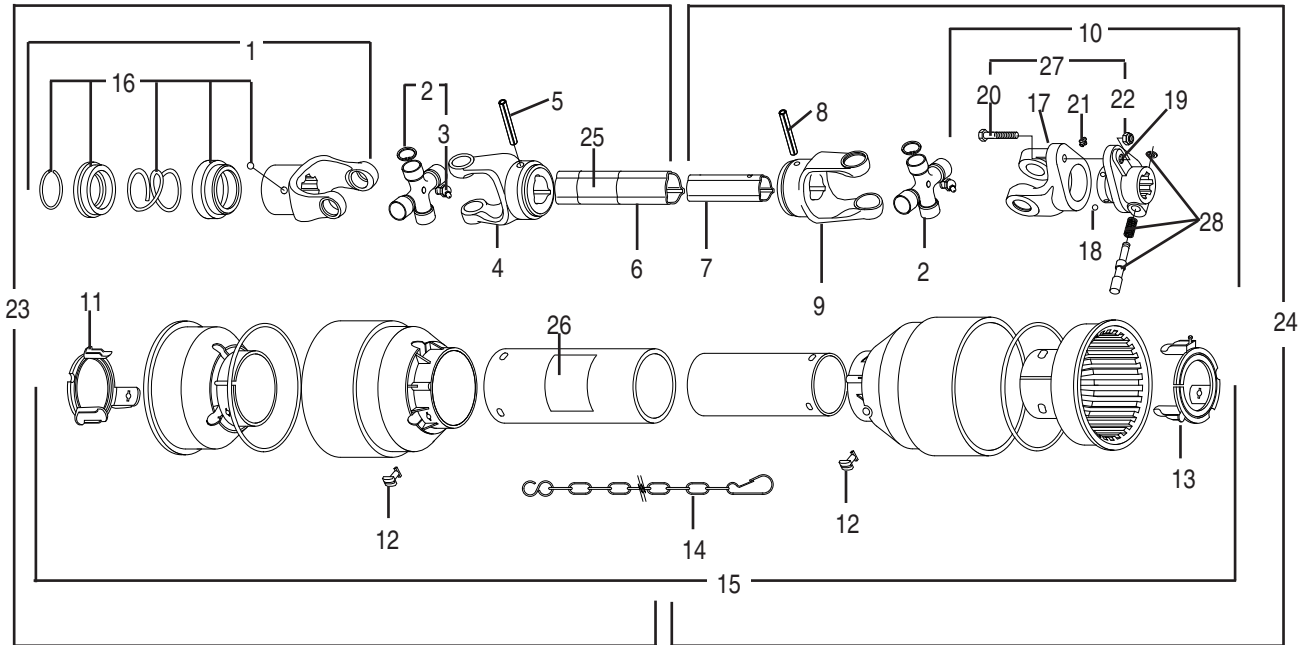


**76733 DRIVESHAFT ASSY. W/ SHEAR BOLT**  
 For SQ420, SQ480 Lift Models  
 Manufactured by Comer/EG  
 Replaces 92950 Driveshaft

REF. NO	PART NO	QTY.	DESCRIPTION
1	76711	1	Complete Collar Yoke
2	64694	2	Cross Journal Set
3	63956	2	Grease Nipple
4	78571	1	Outer Yoke
5	78577	1	Roll Pin for Outer Tube
6	82800	1	Outer Tube
7	82801	1	Inner Tube
8	78578	1	Roll Pin for Inner Tube
9	78570	1	Inner Yoke
10	81447	1	Yoke w/ Grease Nipple
11	76192	1	Guard Retaining Collar, Outer
12	87992	6	Bolt
13	76191	1	Guard Retaining Collar, Inner
14	64814	2	Safety Chain
15	76135	1	Complete Shield w/ Instr.
16	50017480	1	Ball Collar Kit 1-3/8"
17	63946	1	Grease Nipple
18	76808	1	Half Female Shaft w/ Shield
19	76099	1	Half Male Shaft w/ Shield
20	78786	1	Danger Decal, Outer Tube
21	78608	1	Danger Decal, Outer Shield

76062 Push Pin Set 

**Note:** Some early driveshafts were shipped with push pins on the tractor yoke end. Order 76062 push pin set to replace pin. Order 76711 for complete yoke replacement.



**76734 DRIVESHAFT ASSY. W/ OFFSET SHEAR BOLT**

Model: SQ600 Lift

Supersession: Replaces 92951 Driveshaft. Replaced by 50053123 Driveshaft.

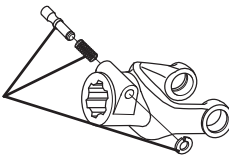
**76737 DRIVESHAFT ASSY. W/ OFFSET SHEAR BOLT**

Model: SQ720 Lift

Mfr: Comer/EG

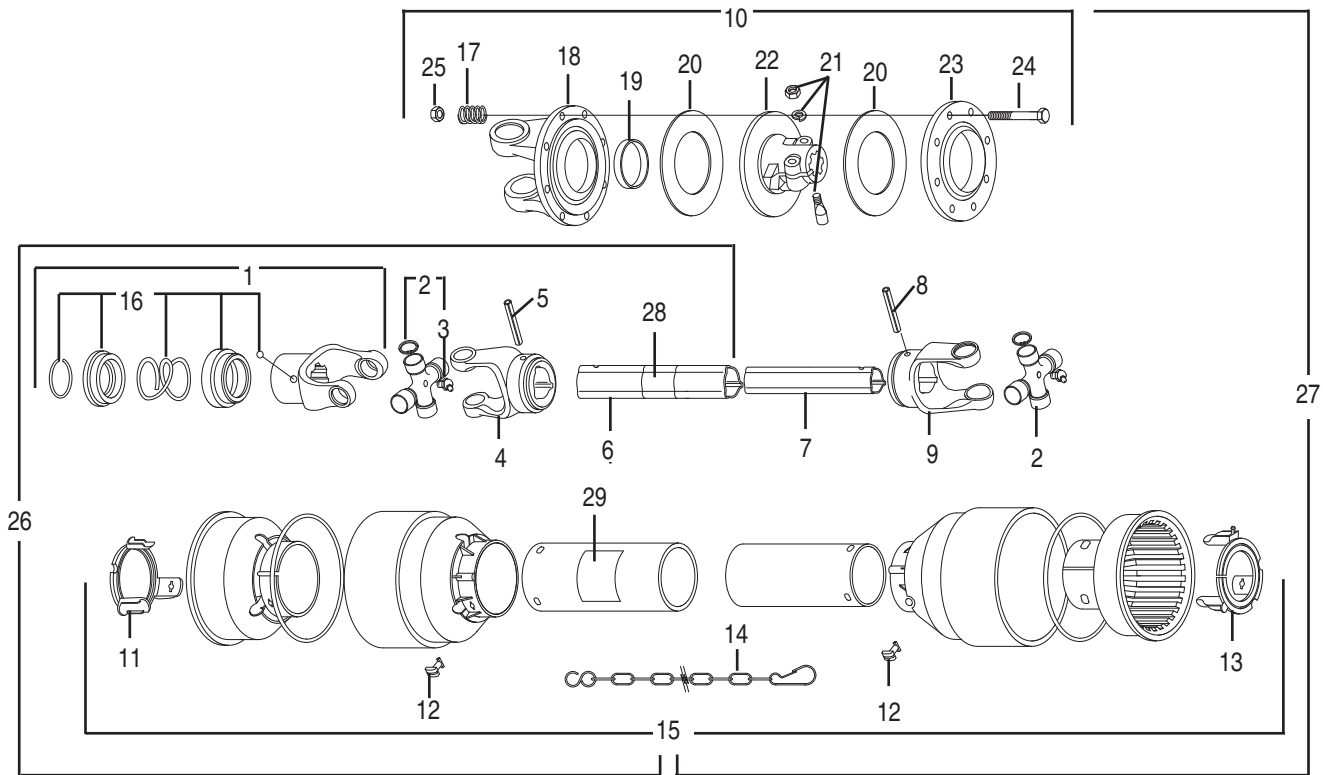
Supersession: Replaced by 76977 Driveshaft

REF. NO.	PART NO.	QTY.	DESCRIPTION
1	76711	1	Complete Collar Yoke
2	64694	2	Cross Journal Set
3	63956	2	Grease Nipple
4	78571	1	Outer Yoke
5	78577	1	Roll Pin for Outer Tube
6	82800	1	Outer Tube (76734)
	90020	1	Outer Tube (76737)
7	82801	1	Inner Tube (76734)
	90021	1	Inner Tube (76737)
8	78578	1	Roll Pin for Inner Tube
9	78570	1	Inner Yoke
10	76151	1	Complete Shear Bolt
11	76192	1	Guard Retaining Collar, Outer
12	87992	6	Bolt
13	76191	1	Guard Retaining Collar, Inner
14	64814	2	Safety Chain
15	76135	1	Complete Shield (76734)
	76134	1	Complete Shield (76737)
16	50017480	2	Ball Collar Kit 1-3/8"
17	76160	1	Yoke
18	76202	23	Ball
19	76127	1	Hub

76062 Push Pin Set 

**Note:** Some early driveshafts were shipped with push pins on the tractor yoke end. Order 76062 push pin set to replace pin. Order 76711 for complete yoke replacement.

REF. NO.	PART NO.	QTY.	DESCRIPTION
20	44275	5	Capscrew M8 x 1.25 x 50
21	63946	1	Grease Fitting
22	44185	5	Locknut M8
23	76808	1	Half Female Shaft w/ Shield (76734)
	76812	1	Half Female Shaft w/ Shield (76737)
24	76094	1	Half Male Shaft w/ Shield (76734)
	76095	1	Half Female Shaft w/ Shield (76737)
25	78786	1	Danger Decal, Outer Tube
26	78608	1	Danger Decal, Outer Shield
27	81976	1	Shear Bolt (Package of 5 Bolts & Nuts)
28	76062	1	Push Pin Set



**76735 DRIVESHAFT ASSY. W/ SLIP CLUTCH**

Models: SQ600 & SQ84T

Supersession: Replaces 92952 Driveshaft. Replaced by 50053126 Driveshaft.  
Mfr: ComerEG

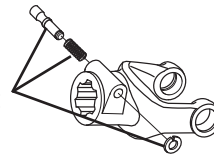
**76738 DRIVESHAFT ASSY. W/ SLIP CLUTCH**

Model: SQ720

Supersession: Replaces 92956 Driveshaft. Replaced by 50053125 Driveshaft  
Mfr: Comer/EG

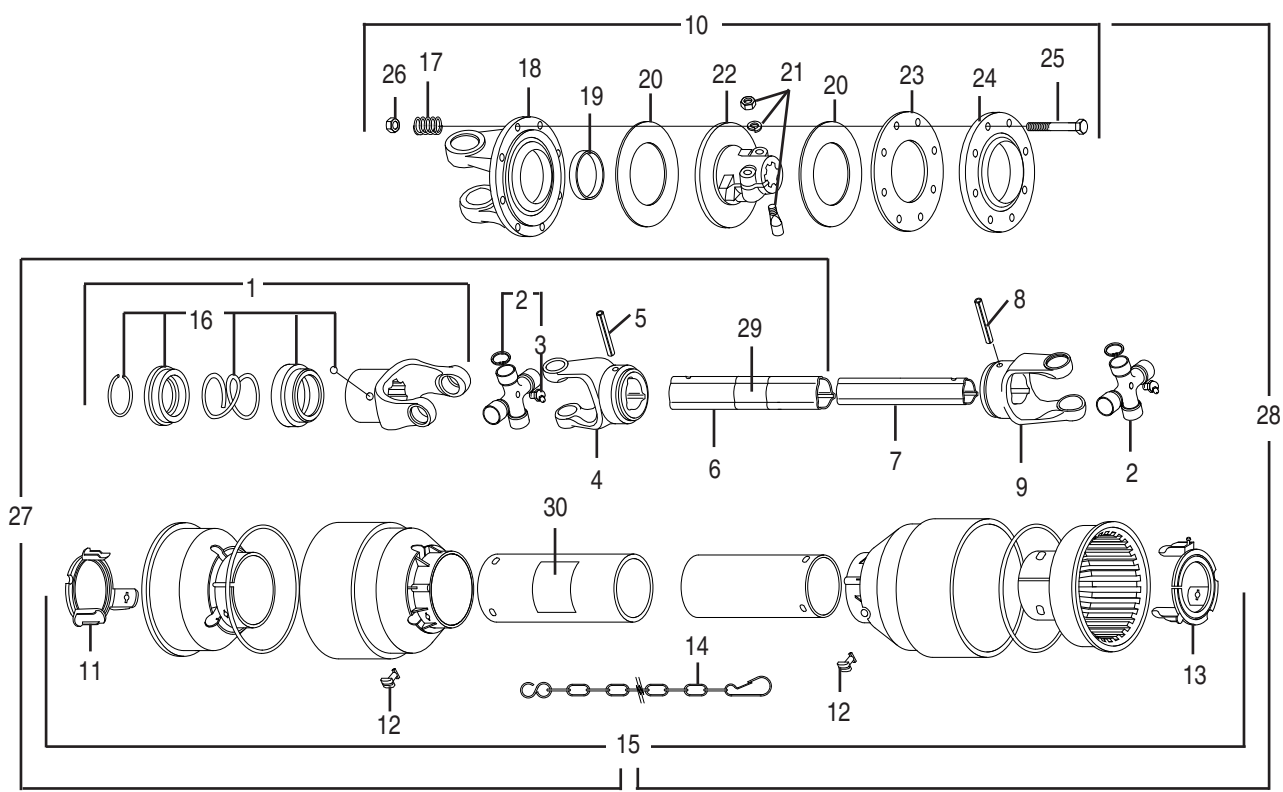
REF. NO.	PART NO.	QTY.	DESCRIPTION
1	76711	1	Complete Collar Yoke
2	64694	2	Cross Journal Set
3	63956	2	Grease Nipple
4	78571	1	Outer Yoke
5	78577	1	Roll Pin for Outer Tube
6	82800	1	Outer Tube (76735)
	90258	1	Outer Tube (76738)
7	82801	1	Inner Tube (76735)
	90259	1	Inner Tube (76738)
8	78578	1	Roll Pin for Inner Tube
9	78570	1	Inner Yoke
10	76152	1	Complete Disc Clutch
11	76192	1	Guard Retaining Collar, Outer
12	87992	6	Bolt
13	76191	1	Guard Retaining Collar, Inner
14	64814	2	Safety Chain
15	76141	1	Complete Shield (76735)
	76140	1	Complete Shield (76738)
16	50017480	1	Ball Collar Kit 1-3/8"
17	76080	8	Spring
18	76159	1	Flanged Yoke
19	76195	1	Bushing
20	76194	2	Lining Ring

76062 Push Pin Set



**Note:** Some early driveshafts were shipped with push pins on the tractor yoke end. Order 76062 push pin set to replace pin. Order 76711 for complete yoke replacement.

REF. NO.	PART NO.	QTY.	DESCRIPTION
21	76064	1	Tapered Pin Set 1-3/8"
22	76161	1	Clutch Support
23	76196	1	Pressure Plate
24	44300	8	Capscrew M10 x 1.25 x 80
25	44298	8	Hex Nut M10 x 1.25
26	76808	1	Half Female Shaft w/ Shield (76735)
	76829	1	Half Female Shaft w/ Shield (76738)
27	76103	1	Half Male Shaft w/ Shield (76735)
	76102	1	Half Male Shaft w/ Shield (76738)
28	78786	1	Danger Decal, Outer Tube
29	78608	1	Danger Decal, Outer Shield



**76742 DRIVESHAFT ASSEMBLY W/ SLIP CLUTCH**

Model: SQ 84

Mfr: Comer/EG

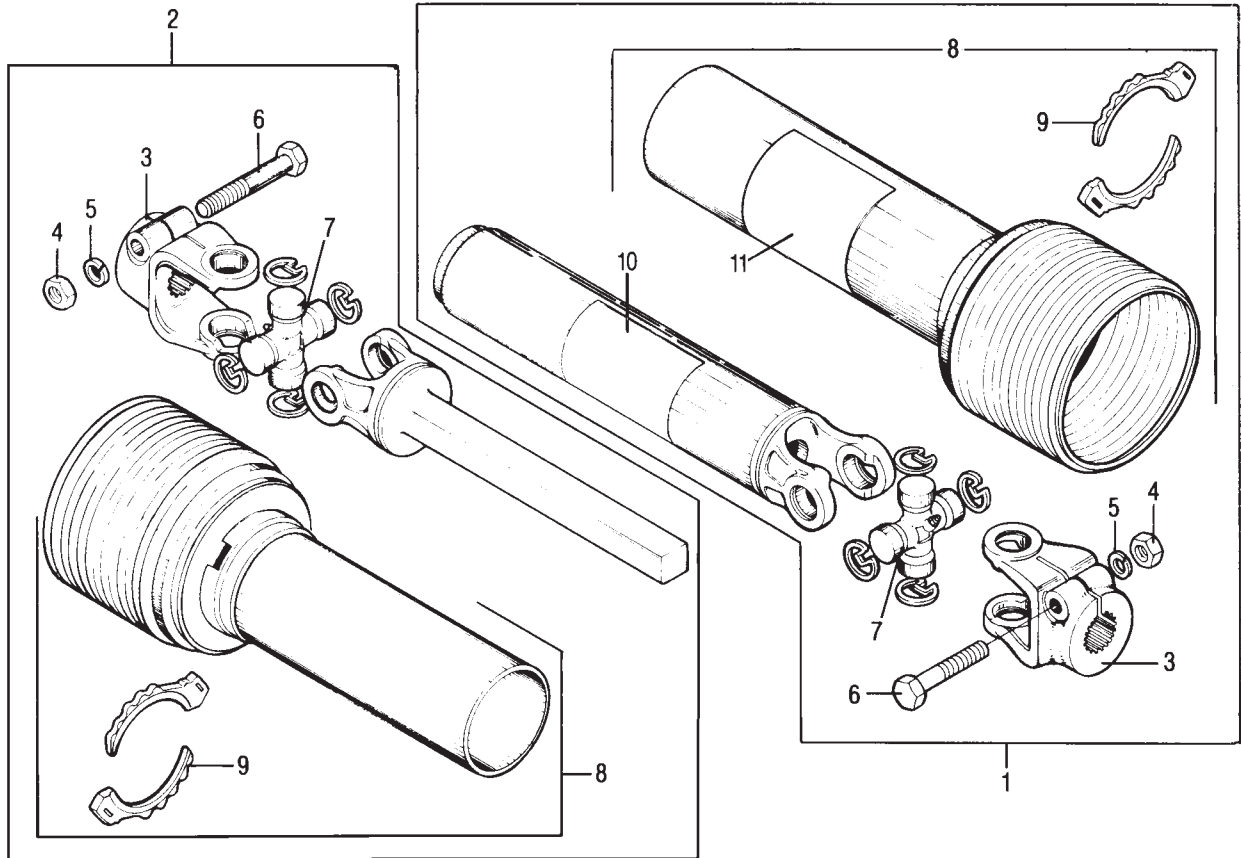
Supersession: Replaces 92959 Driveshaft. Replaced by 50053132 Driveshaft.

REF. NO.	PART NO.	QTY.	DESCRIPTION
1	76801	1	Complete Collar Yoke
2	64610	2	Cross Journal Set
3	63956	2	Grease Nipple
4	66112	1	Outer Yoke
5	66869	1	Roll Pin for Outer Tube
6	68998	1	Outer Tube
7	76185	1	Inner Tube
8	66110	1	Roll Pin for Inner Tube
9	66109	1	Inner Yoke
10	76076	1	Complete Disc Clutch
11	87995	1	Guard Retaining Collar, Outer
12	87992	6	Bolt
13	87993	1	Guard Retaining Collar, Inner
14	64814	2	Safety Chain
15	76147	1	Complete Shield
16	50017480	1	Ball Collar Kit 1-3/8"
17	76080	8	Spring
18	76081	1	Flanged Yoke
19	76082	1	Bushing
20	76083	2	Lining Ring
21	76064	1	Tapered Pin Set 1-3/8"

76062 Push Pin Set

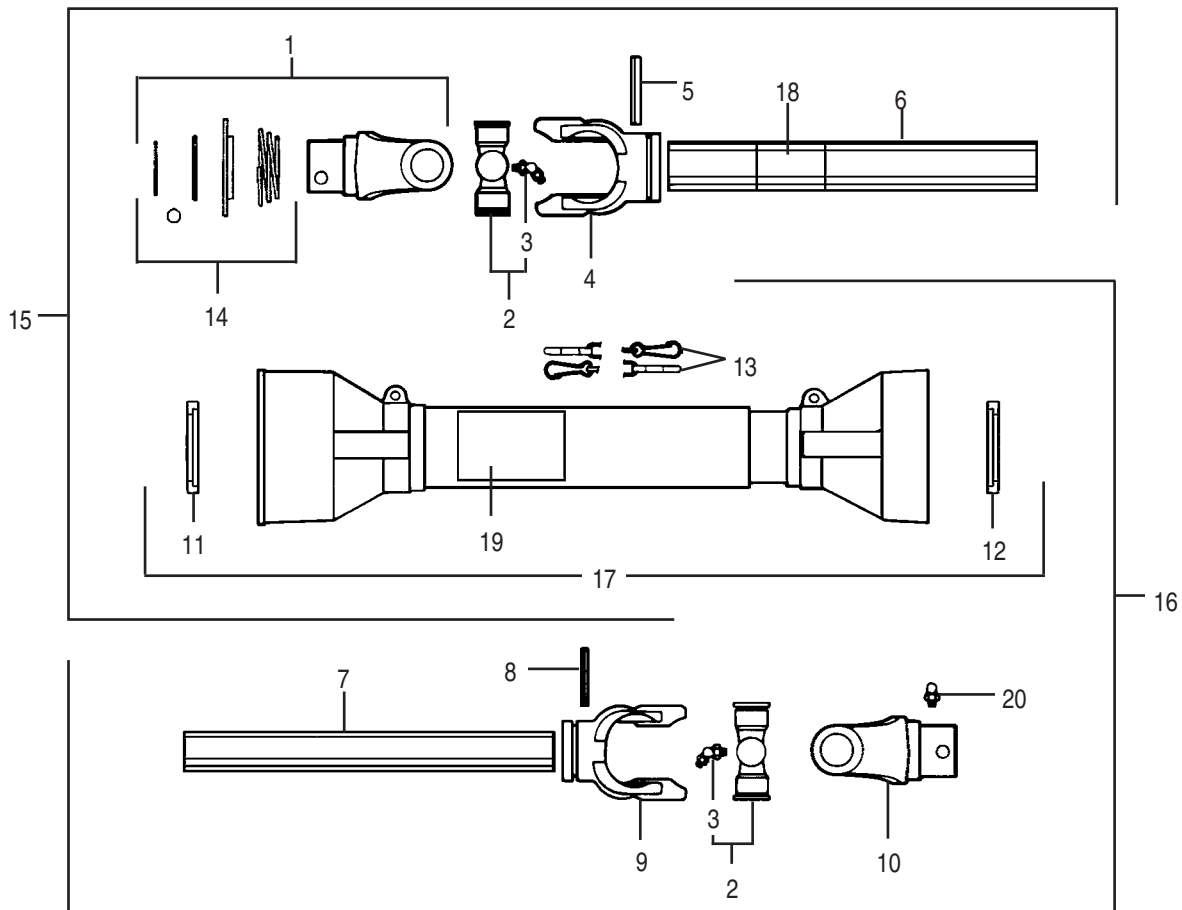
**Note:** Some early driveshafts were shipped with push pins on the tractor yoke end. Order 76062 push pin set to replace pin. Order 76801 for complete yoke replacement.

REF. NO.	PART NO.	QTY.	DESCRIPTION
22	76084	1	Clutch Support
23	76085	1	Inner Plate
24	76086	1	Pressure Plate
25	44155	8	Capscrew M10 x 1.5x 85
26	44154	8	Lock Nut M10 x 1.5
27	76837	1	Half Female Shaft w/ Shield
28	76117	1	Half Male Shaft w/ Shield
29	78786	1	Danger Decal, Outer Tube
30	78608	1	Danger Decal, Outer Shield



**79008 OUTBOARD DRIVESHAFT ASSEMBLY**  
**HAYES DANA SERIES 1240**  
*Used on Model SQ84T*

REF. NO.	PART NO.	QTY.	DESCRIPTION
1	80314	1	Shielded Outer Half Assy.
2	80313	1	Shielded Inner Half Assy.
3	80316	2	Yoke
4	8151600	2	Hex Nut 1/2" - 13 UNC
5	15806	2	Lockwasher 1/2"
6	19044	2	Capscrew 1/2" - 13 UNC x 2-3/4"
7	80315	2	Cross Bearing kit
8	80312	1	Shield Kit w/ Bearings
9	80068	4	Shield Bearing
10	78608	1	Decal, Shield Missing
11	78786	1	Decal



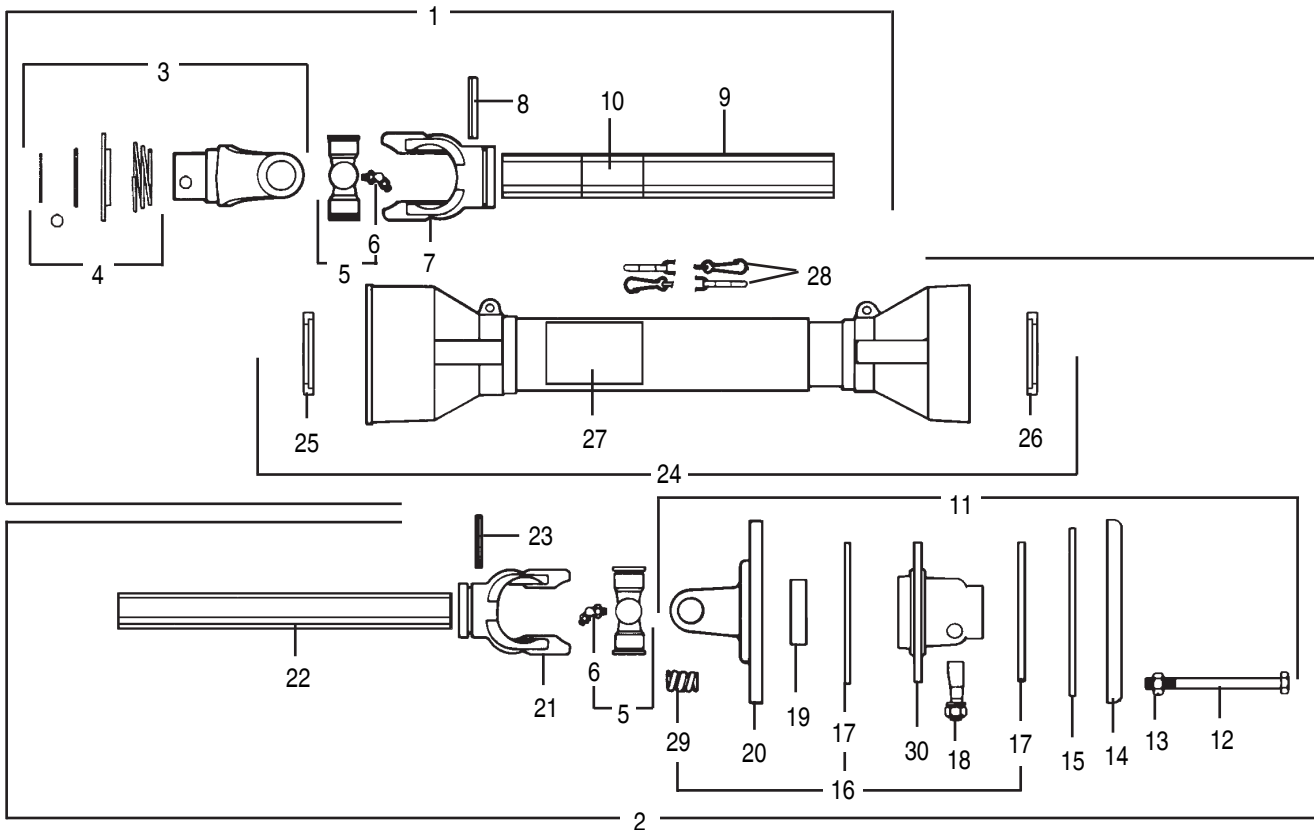
50034238 is obs.  
replaced by  
50063610



**50034238 DRIVESHAFT ASSEMBLY**  
540 RPM, 1-3/8" – 6 spline, Mfd. by Binacchi  
Used on Models SQ420 & SQ480

REF. NO.	PART NO.	QTY.	DESCRIPTION
1	50035260	1	Complete Collar Yoke
2	64694	2	Cross Journal Set
3	63956	8	Grease Nipple
4	78571	1	Outer Tube Yoke
5	78577	1	Flexible Pin
6	82800	1	Outer Tube
7	82801	1	Inner Tube
8	78578	1	Flexible Pin
9	78570	1	Inner Tube Yoke
10	81447	1	Outer Yoke
11	90008	1	Outer Bearing
12	50042832	1	Inner Bearing
13	64814	2	Chain
14	50035261	1	Ball Collar Kit
15	50035268	1	Half Shaft, Outer
16	90022	1	Half Shaft, Inner
17	99012	1	Safety Guard
18	78786	1	Danger Decal
19	78608	1	Danger Decal
20	63946	1	Grease Nipple





50034239 is Obs.  
replaced by  
50063611

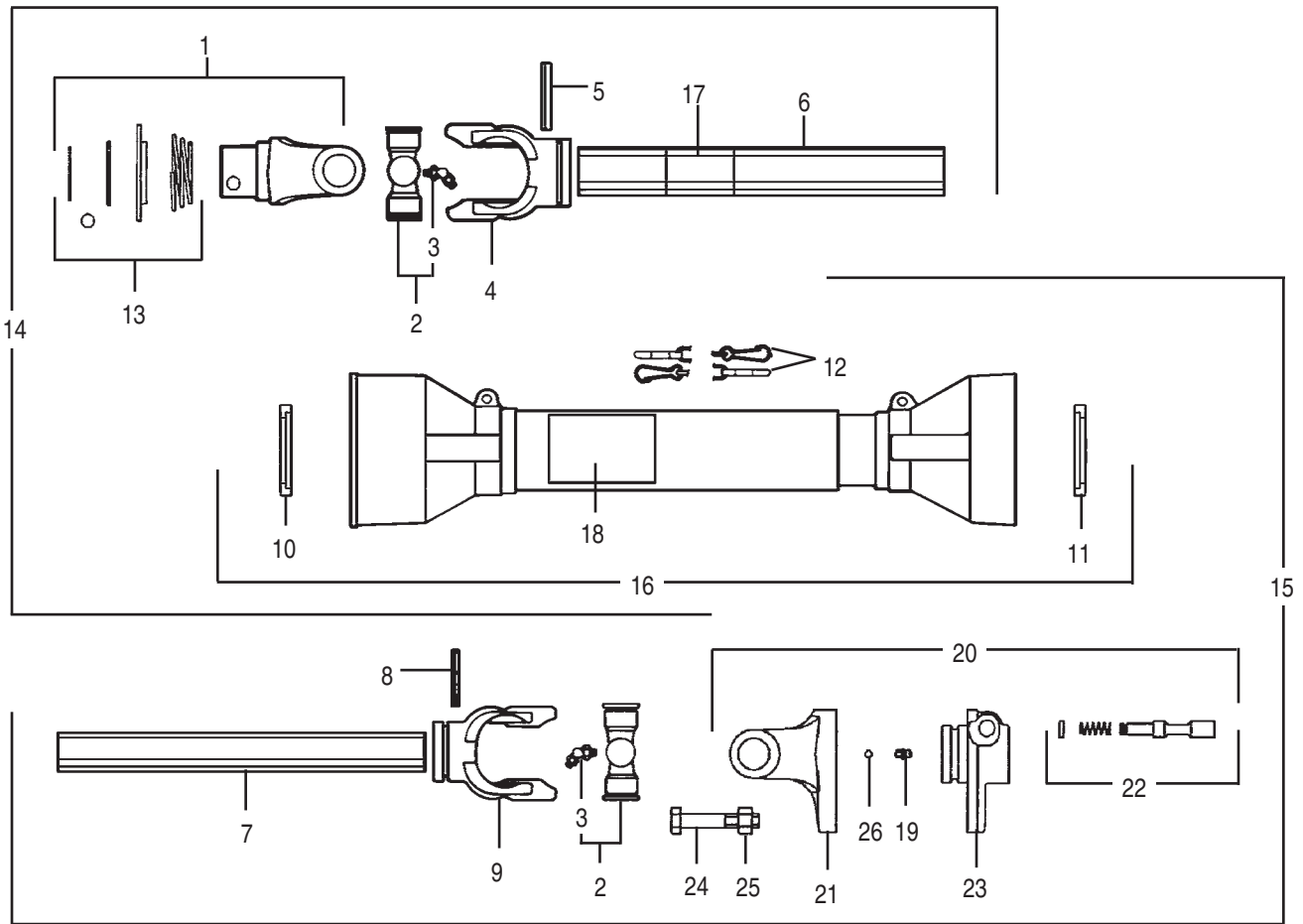
**50034239 DRIVESHAFT ASSEMBLY W/ CLUTCH**  
1-3/8" – 6 Spline, 540 RPM, Mfd. by Binacchi  
Used on SQ600, SQ84T

50034244 is Obs.  
replaced by  
50063614

**50034244 DRIVESHAFT ASSEMBLY W/ CLUTCH**  
1-3/8" – 6 Spline, 540 RPM, Mfd. by Binacchi  
Used on SQ720

REF. NO.	PART NO.	QTY.	DESCRIPTION
1	50035268	1	Front Half, Complete (50034239)
	50035285	1	Front Half, Complete (50034244)
2	50035264	1	Rear Half, Complete (50034239)
	50035286	1	Rear Half, Complete (50034244)
3	50035260	1	Complete Collar Yoke
4	50035261	1	Ball Collar Kit
	64694	2	Cross Bearing Kit
5	63956	2	Grease Fitting
7	78571	1	Yoke, Outer Tube
8	78577	1	Flexible Pin
9	82800	1	Outer Tube (50034239)
	90258	1	Outer Tube (50034244)
10	78786	1	Danger Decal
11	86667	1	Torque Limiter
12	44155	8	Capscrew M10 x 1.5 x 85
13	44154	8	Locknut M10 x 1.5
14	64649	1	Pressure Plate
15	64650	1	Inner Plate
16	67303	1	Torque Limiter Kit

REF. NO.	PART NO.	QTY.	DESCRIPTION
17	91561	1	Lining (50034244)
18	90938	1	Pivot Assy.
	—	1	Flatwasher M12
	—	1	Hex Nut M12 x 1.75
19	64828	1	Bushing
20	68969	1	Flange
21	78570	1	Yoke, Inner Tube
22	82801	1	Inner Tube (50034239)
	90259	1	Inner Tube (50034244)
23	78578	1	Flexible Pin
24	50035290	1	Shield Assembly (50034239)
	50035287	1	Shield Assembly (50034244)
25	90008	1	Shield Bearing, Outer Shield
26	50042832	1	Shield Bearing, Inner Shield
27	78608	1	Danger Decal
28	64814	2	Safety Chain
29	64657	8	Spring
30	86589	1	Hub



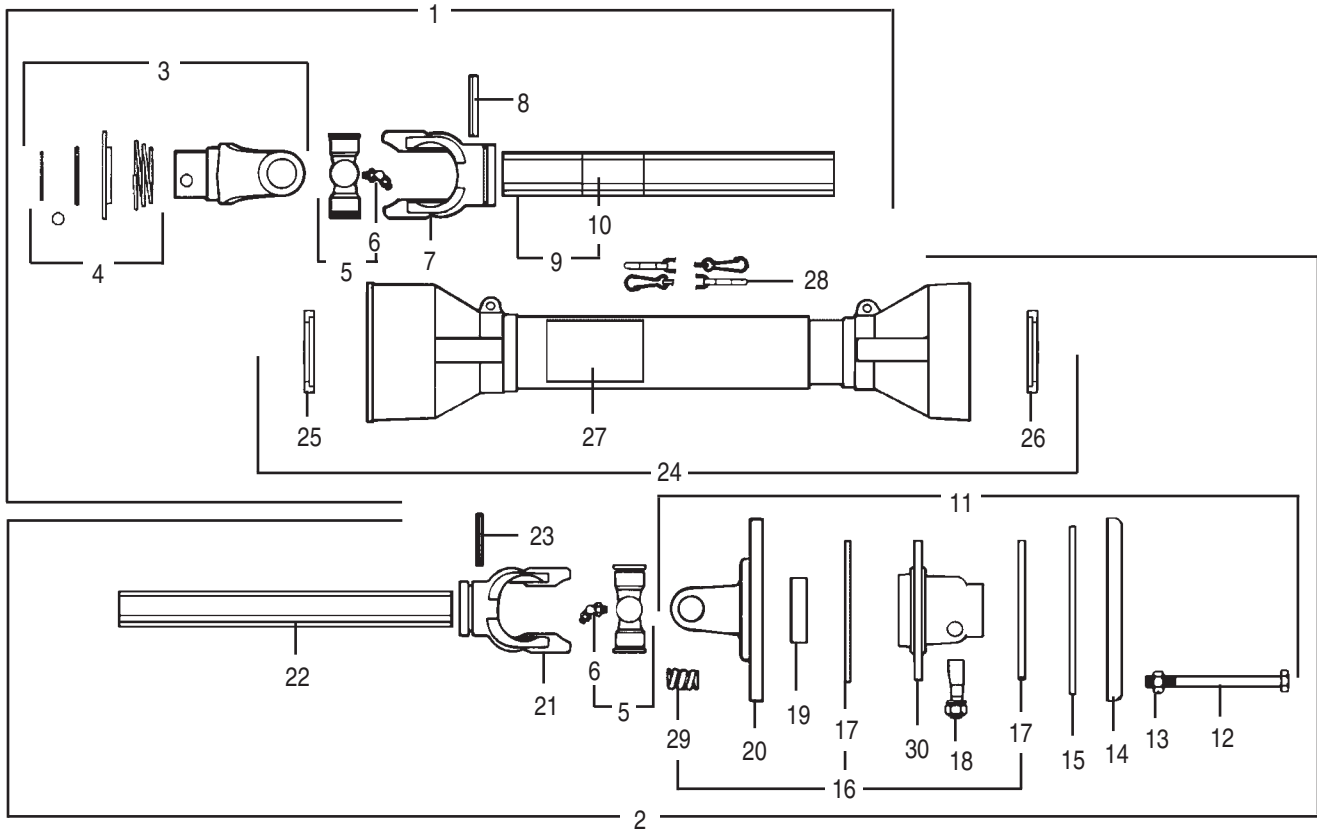
50034240 is Obs.  
replaced by  
50063612

**50034240 DRIVESHAFT ASSEMBLY W/ SHEAR BOLT**  
540 RPM, 1-3/8" – 6 spline, Mfd. by Binacchi  
Used on Model SQ600

**50034241 DRIVESHAFT ASSEMBLY W/ SHEAR BOLT**  
540 RPM, 1-3/8" – 6 Spline, Mfd. by Binacchi  
Used on Model SQ720  
Replaced by 50042263

REF. NO.	PART NO.	QTY.	DESCRIPTION
1	50035260	1	Complete Collar Yoke
2	64694	2	Cross Journal Set
3	63956	2	Grease Nipple
4	78571	1	Outer Tube Yoke
5	78577	1	Flexible Pin
6	82800	1	Outer Tube (50034240)
	90020	1	Outer Tube (50034241)
7	82801	1	Inner Tube (50034240)
	90021	1	Inner Tube (50034241)
8	78578	1	Flexible Pin
9	78570	1	Inner Tube Yoke
10	90008	1	Outer Bearing
11	50042832	1	Inner Bearing
12	64814	2	Chain
13	50035261	1	Ball Collar Kit

REF. NO.	PART NO.	QTY.	DESCRIPTION
14	50035263	1	Half Shaft, Outer (50034240)
	50035262	1	Half Shaft, Outer (50034241)
15	50035291	1	Half Shaft, Inner (50034240)
	50035293	1	Half Shaft, Inner (50035293)
16	90012	1	Safety Guard (50034240)
	90019	1	Safety Guard (50034241)
17	78786	1	Danger Decal
18	78608	1	Danger Decal
19	69439	1	Grease Fitting
20	50035294	1	Torque Limiter
21	69440	1	Yoke
22	65291	1	Push Pin Kit
23	69438	1	Hub w/ Push Pin Kit
24	44883	1	Capscrew M8 x 1.25 x 45
25	44185	1	Locknut M8
26	65224	1	Ball

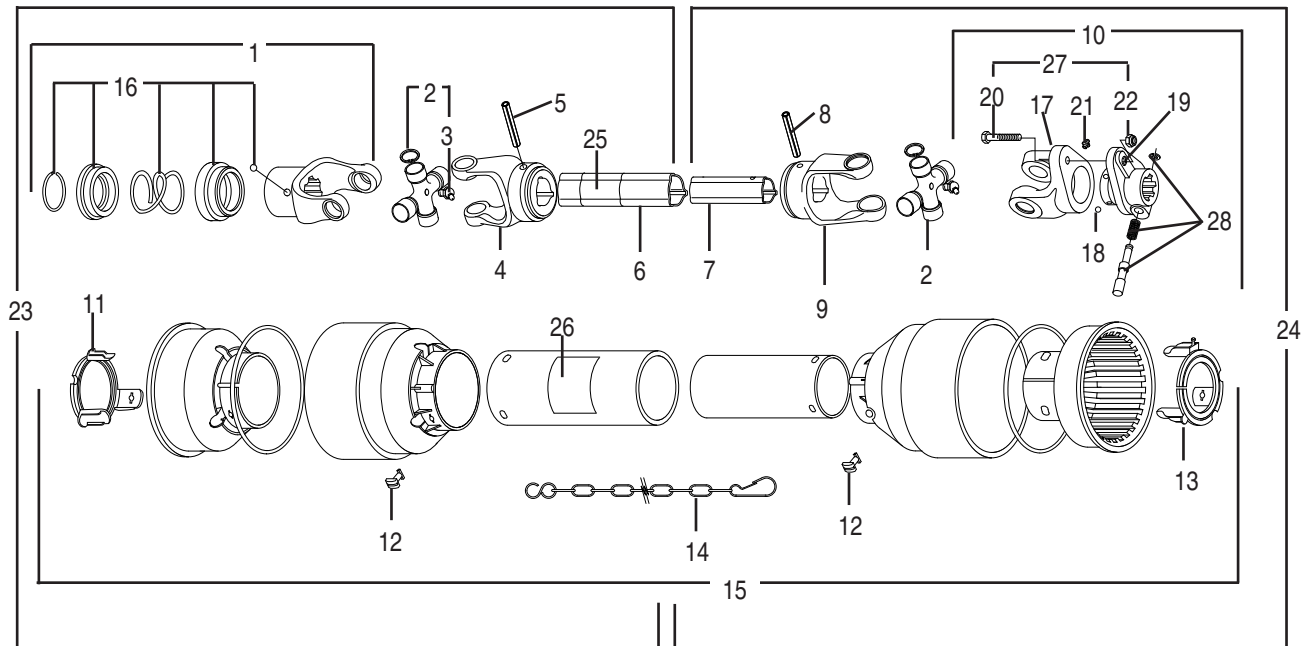


50063608 is Obs.  
replaced by  
50063608

**50034236 DRIVESHAFT ASSEMBLY W/ CLUTCH**  
 1-3/8" – 6 Spline, 540 RPM, Mfd. by Binacchi  
 Used on Model SQ840

REF. NO.	PART NO.	QTY.	DESCRIPTION
1	50035270	1	Front Half, Complete
2	50035271	1	Rear Half, Complete
3	50035273	1	Complete Collar Yoke
4	50042833	1	Ball Collar Kit
5	64610	2	Cross Bearing Kit
6	63956	2	Grease Fitting
7	66112	1	Yoke, Outer Tube
8	66113	1	Flexible Pin
9	68998	1	Outer Tube
10	78786	1	Danger Decal
11	86673	1	Torque Limiter
12	44155	8	Capscrew M10 x 1.5 x 85
13	44154	8	Locknut M10 x 1.5
14	64641	1	Pressure Plate
15	64642	1	Inner Plate
16	91562	1	Torque Limiter Kit

REF. NO.	PART NO.	QTY.	DESCRIPTION
17	91560	1	Lining
18	90938	1	Pivot Assy.
	—	1	Flatwasher M12
	—	1	Hex Nut M12 x 1.75
19	64828	1	Bushing
20	64646	1	Flange
21	66109	1	Yoke, Inner Tube
22	66976	1	Inner Tube
23	66110	1	Flexible Pin
24	50035272	1	Shield Assembly
25	90025	1	Shield Bearing, Outer Shield
26	90026	1	Shield Bearing, Inner Shield
27	78608	1	Danger Decal
28	64814	2	Safety Chain
29	64657	8	Spring
30	86585	1	Hub



**76977 DRIVESHAFT ASSY. W/ OFFSET SHEAR BOLT**

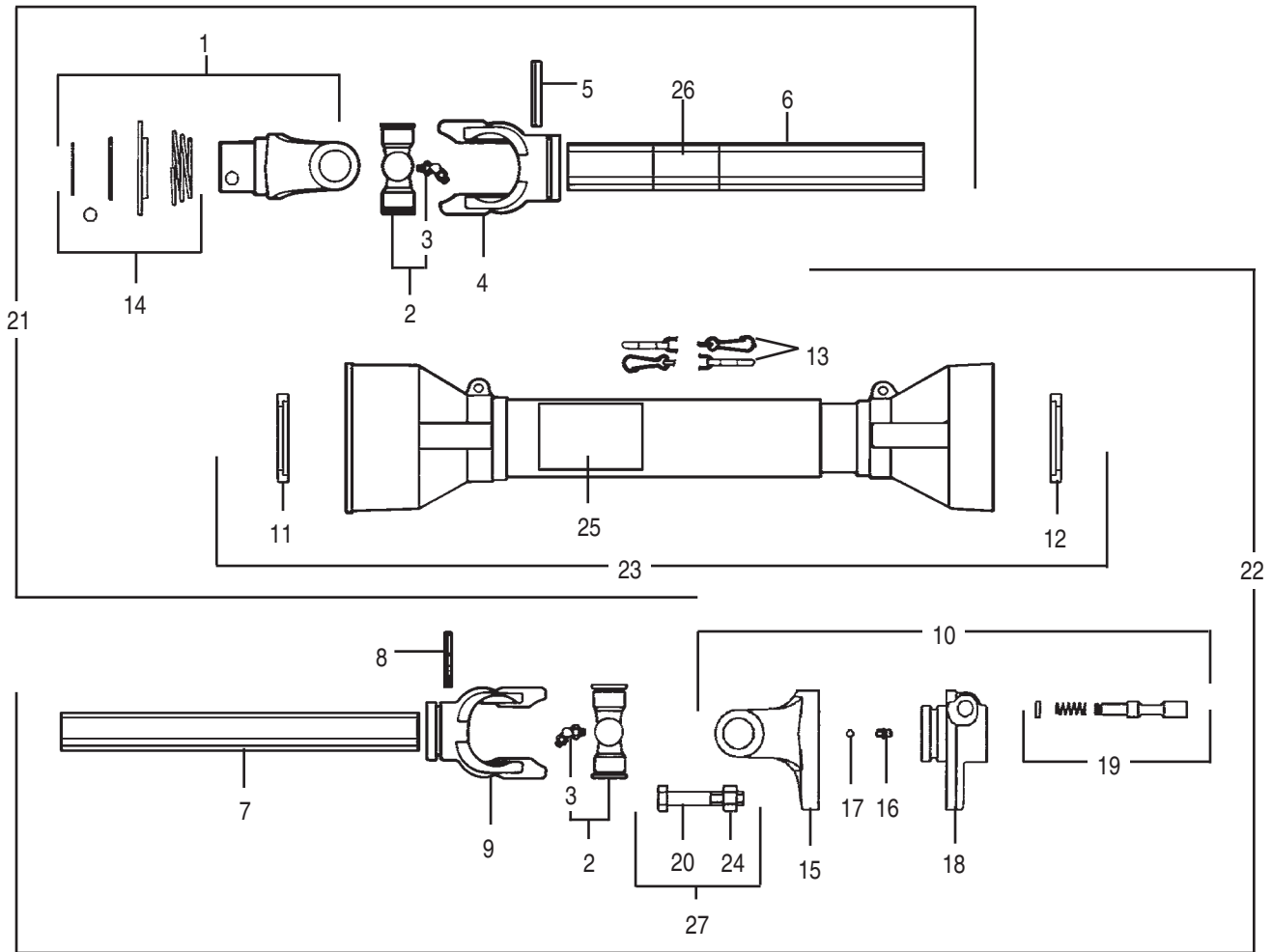
540 RPM, 1-3/8" – 6 Spline

Mfr: Comer/EG

Model: SQ720 Lift

Supersession: Replaces 76737 Driveshaft. Replaced by 50053131 Driveshaft.

REF. NO.	PART NO.	QTY.	DESCRIPTION	REF. NO.	PART NO.	QTY.	DESCRIPTION
1	76801	1	Complete Collar Yoke	15	50035796	1	Complete Shield
2	64610	2	Cross Journal Set	16	50017480	2	Ball Collar Kit 1-3/8"
3	63956	2	Grease Nipple	17	76618	1	Yoke
4	66112	1	Outer Yoke	18	76202	23	Ball
5	66869	1	Roll Pin for Outer Tube	19	76619	1	Hub
6	50035794	1	Outer Tube	20	44525	5	Capscrew M10 x 1.5 x 55 G8.8
7	50035795	1	Inner Tube	21	63946	1	Grease Fitting
8	66110	1	Roll Pin for Inner Tube	22	44154	5	Locknut M10
9	66109	1	Inner Yoke	23	50035797	1	Half Female Shaft w/ Shield
10	76616	1	Complete Shear Bolt	24	50035798	1	Half Male Shaft w/ Shield
11	87995	1	Guard Retaining Collar, Outer	25	78786	1	Danger Decal, Outer Tube
12	87992	6	Bolt	26	78608	1	Danger Decal, Outer Shield
13	87993	1	Guard Retaining Collar, Inner	27	69136	1	Shear Bolt Package (5 Bolts & Nuts)
14	64814	2	Safety Chain		81977	1	Hardened Shear Bolt Package (Opt.)
				28	76062	1	Push Pin Set

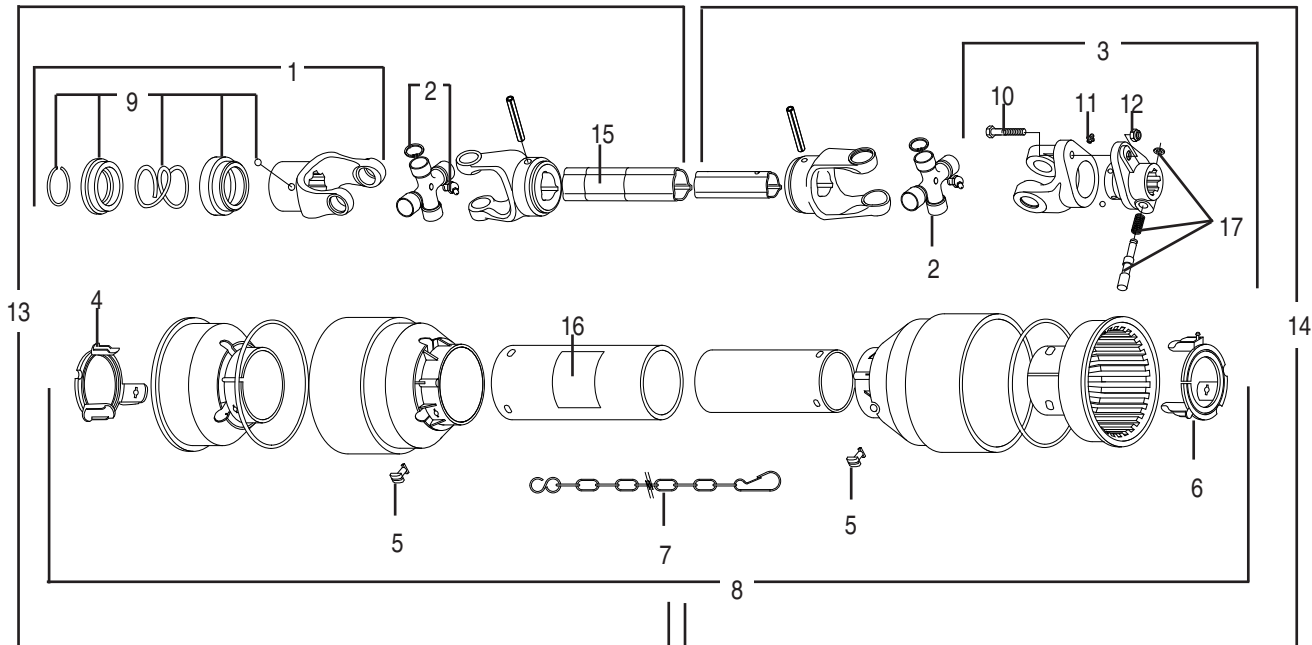


50042263 is  
obsolete replaced  
by 50063619

**50042263 DRIVESHAFT ASSEMBLY W/ SHEAR BOLT**  
 540 RPM, 1-3/8" – 6 Spline, Mfd. by Binacchi  
 Used on Model SQ720

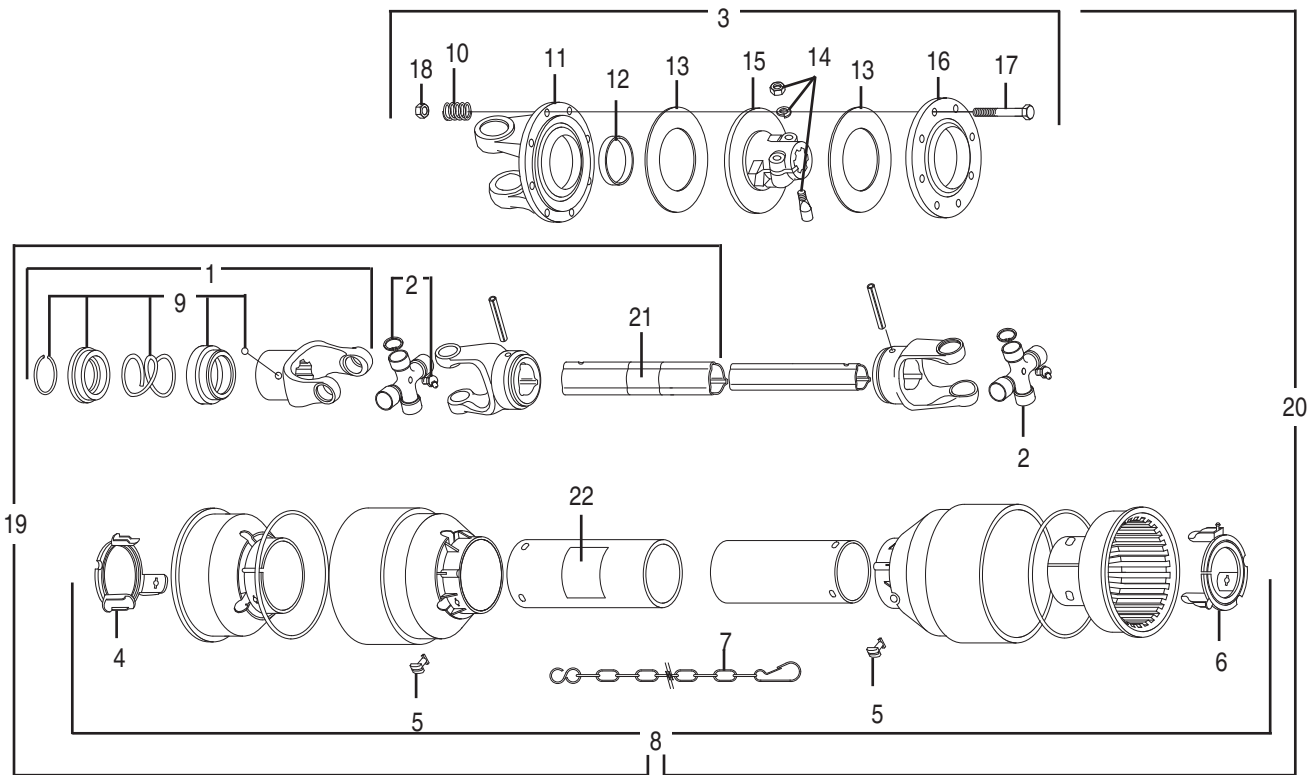
REF. NO.	PART NO.	QTY.	DESCRIPTION
1	50035273	1	Yoke
2	64610	2	Cross Journal Assembly
3	63956	2	Grease Nipple
4	66112	1	Outer Tube Yoke
5	66113	1	Flexible Pin
6	50044256	1	Outer Cardan Tube
7	50044257	1	Inner Cardan Tube
8	66110	1	Flexible Pin
9	66109	1	Inner Tube Yoke
10	69451	1	Shear Bolt Torque Limiter
11	50044259	1	Outer Bearing
12	50044260	1	Inner Bearing
13	64814	2	Chain

REF. NO.	PART NO.	QTY.	DESCRIPTION
14	50042833	1	Ball Collar Kit
15	69450	1	Yoke
16	69439	1	Grease Fitting
17	65224	23	Ball
18	69449	1	Hub w/ Push Pin Kit
19	79354	1	Push Pin Kit
20	44525	1	Capscrew M10 x 1.5 x 55 G8.8
21	50044261	1	Half Shaft, Outer
22	50044262	1	Half Shaft, Inner
23	50044263	1	Safety Guard
24	44154	1	Locknut M10
25	78608	1	Danger Decal, Outer Shield
26	78786	1	Danger Decal, Outer Tube
27	69136	1	Shear Bolt Pkg. (5 Bolts and Nuts)
	81977	1	Hardened Shear Bolt Pkg. (Opt.)



**50053123 DRIVESHAFT ASSEMBLY W/ OFFSET SHEAR BOLT**  
**540 RPM – 1-3/8” – 6 Spline**  
**Mfr: Comer**  
**Model: SQ600 Lift Models**  
**Supersession: Replaces 76734 Driveshaft**

<u>REF. NO</u>	<u>PART NO</u>	<u>QTY.</u>	<u>DESCRIPTION</u>
1	76711	1	Complete Collar Yoke
2	64694	2	Cross Journal Set
3	99847	1	Complete Shear Bolt
4	50053143	1	Guard Retaining Collar, Outer
5	50050289	6	Bolt
6	50053144	1	Guard Retaining Collar, Inner
7	64814	2	Safety Chain
8	50053145	1	Complete Shield
9	50017480	2	Ball Collar Kit1-3/8”
10	44275	6	Capscrew M8 x 1.25 x 50
11	63946	1	Grease Fitting
12	44306	6	Hex Nut M8 x 1.25
13	50053146	1	Half Female Shaft w/ Shield
14	50053154	1	Half Male Shaft w/ Shield
15	78786	1	Danger Decal, Outer Tube
16	78608	1	Danger Decal, Outer Shield
17	76062	1	Push Pin Set



**50053126 DRIVESHAFT W/ SLIP CLUTCH**

540 RPM, 1-3/8" - 6 Spline

Mfr: Comer

Supersession: Replaces 76735 Driveshaft

Models: SQ600 & SQ84T

**50053125 DRIVESHAFT W/ SLIP CLUTCH**

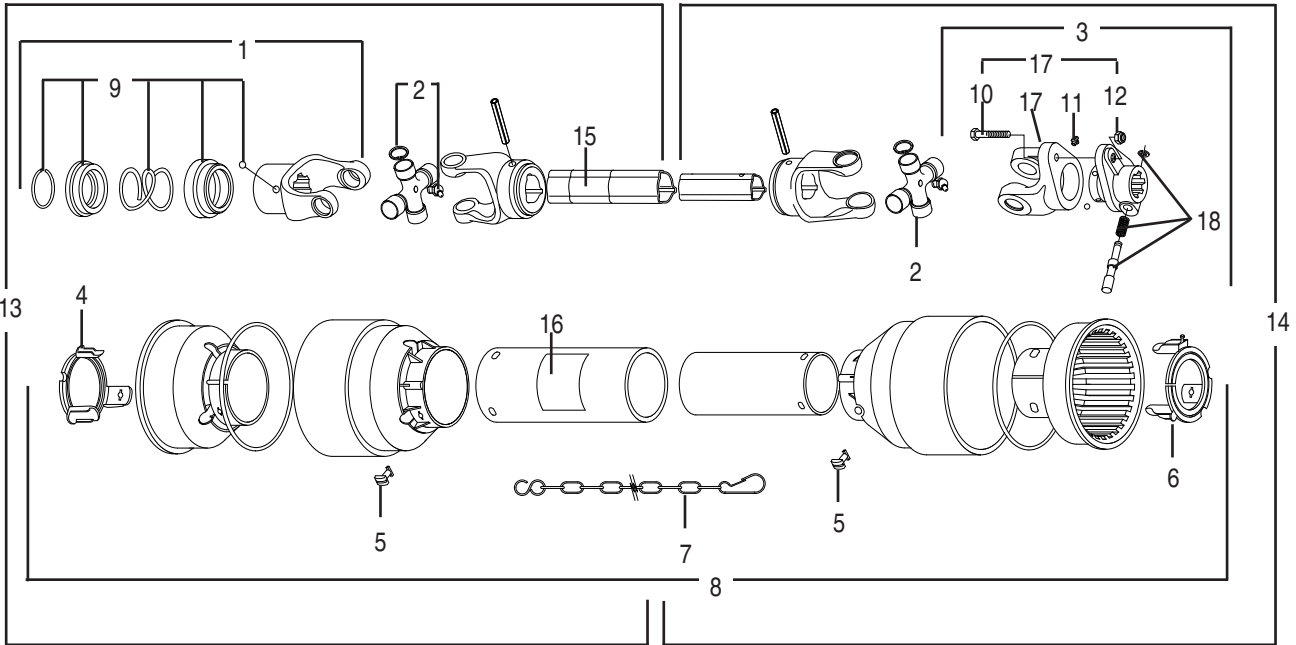
540 RPM, 1-3/8" - 6 Spline

Mfr: Comer

Supersession: Replaces 76738 Driveshaft

Model: SQ720

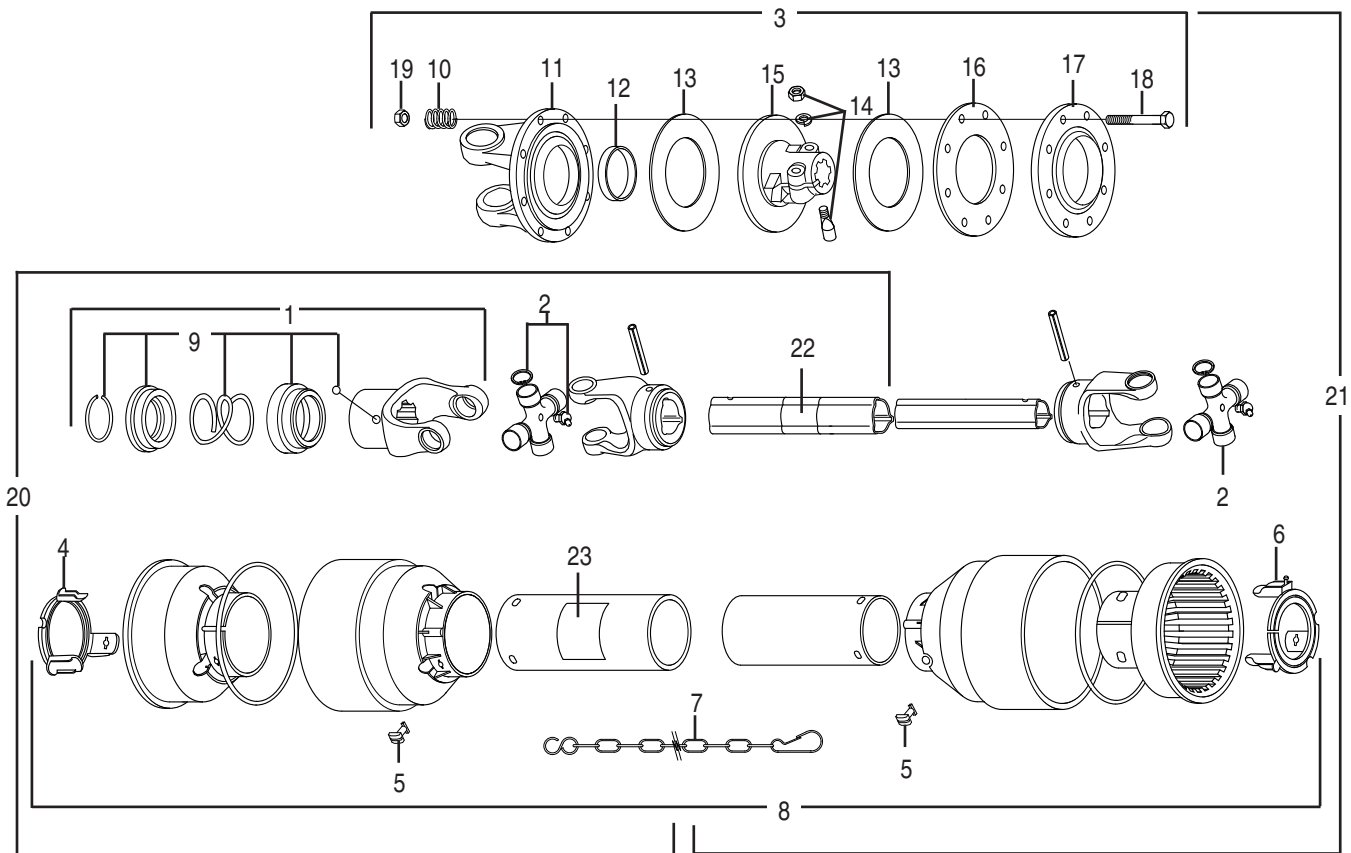
REF. NO.	PART NO.	QTY.	DESCRIPTION	REF. NO.	PART NO.	QTY.	DESCRIPTION
1	76711	1	Complete Collar Yoke	13	76194	2	Lining Ring
2	64694	2	Cross Journal Set	14	76064	1	Tapered Pin Set 1-3/8"
3	76152	1	Complete Disc Clutch	15	76161	1	Clutch Support
4	50053143	1	Guard Retaining Collar, Outer	16	76196	1	Pressure Plate
5	50050289	6	Bolt	17	44300	8	Capscrew M10 x 1.25 x 80
6	50053144	1	Guard Retaining Collar, Inner	18	44298	8	Hex Nut M10 x 1.25
7	64814	2	Safety Chain	19	50053146	1	Half Female Shaft w/ Shield (50053126)
8	50053161	1	Complete Shield (50053126)	20	50053159	1	Half Female Shaft w/ Shield (50053125)
	50053158	1	Complete Shield (50053125)	20	50053162	1	Half Male Shaft w/ Shield (50053126)
9	50017480	1	Ball Collar Kit 1-3/8"	20	50053160	1	Half Male Shaft w/ Shield (50053125)
10	76080	8	Spring	21	78786	1	Danger Decal, Outer Tube
11	76159	1	Flanged Yoke	22	78608	1	Danger Decal, Outer Shield
12	76195	1	Bushing				



**50053131 DRIVESHAFT ASSEMBLY W/ OFFSET SHEAR BOLT**  
**540 RPM, 1-3/8" – 6 Spline**  
**Mfr: Comer**  
**Model: SQ720 Lift**  
**Supersession: Replaces 76977 Driveshaft**

REF. NO.	PART NO.	QTY.	DESCRIPTION
1	76801	1	Complete Collar Yoke
2	64610	2	Cross Journal Set
3	76616	1	Complete Shear Bolt
4	50053169	1	Guard Retaining Collar, Outer
5	50050289	6	Bolt
6	50053240	1	Guard Retaining Collar, Inner
7	64814	2	Safety Chain
8	50053246	1	Complete Shield
9	50017480	2	Ball Collar Kit 1-3/8"
10	44525	5	Capscrew M10 x 1.5 x 55 G8.8
11	63946	1	Grease Fitting
12	44154	5	Locknut M10
13	50053247	1	Half Female Shaft w/ Shield
14	50053248	1	Half Male Shaft w/ Shield
15	78786	1	Danger Decal, Outer Tube
16	78608	1	Danger Decal, Outer Shield
17	69136	1	Shear Bolt Package (5 Bolts & Nuts)
	81977	1	Hardened Shear Bolt Package (Opt.)
18	76062	1	Push Pin Set

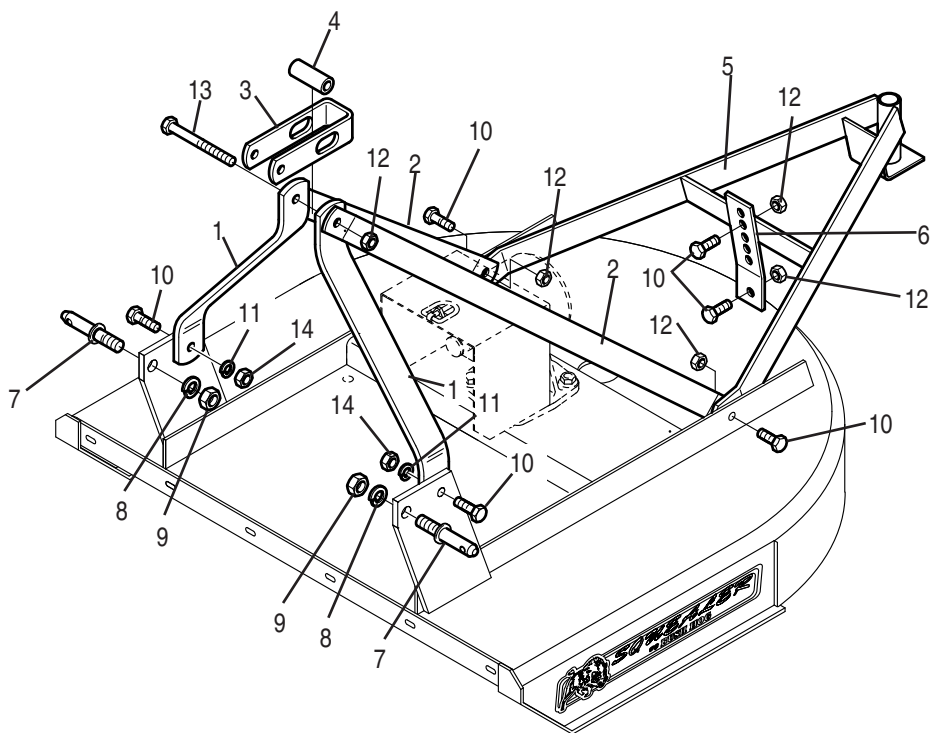




**50053132 DRIVESHAFT W/ SLIP CLUTCH**  
**540 RPM, 1-3/8" 6 Spline**  
**Mfr: Comer**  
**Model: SQ840**  
**Supersession: Replaces 76742 Driveshaft**

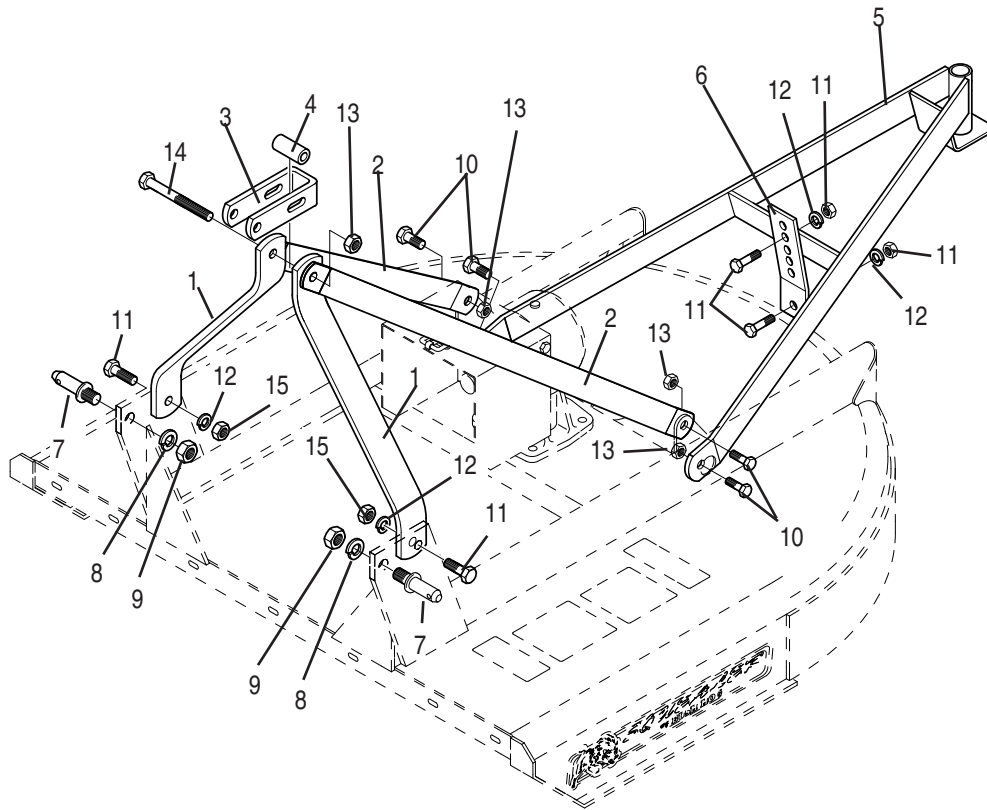
REF. NO.	PART NO.	QTY.	DESCRIPTION	REF. NO.	PART NO.	QTY.	DESCRIPTION
1	76801	1	Complete Collar Yoke	13	76083	2	Lining Ring
2	64610	2	Cross Journal Set	14	76064	1	Tapered Pin Set 1-3/8"
3	76076	1	Complete Disc Clutch	15	76084	1	Clutch Support
4	50053169	1	Guard Retaining Collar, Outer	16	76085	1	Inner Plate
5	50050289	6	Bolt	17	76086	1	Pressure Plate
6	50053240	1	Guard Retaining Collar, Inner	18	44155	8	Capscrew M10 x 1.5 x 85
7	64814	2	Safety Chain	19	44154	8	Lock Nut M10 x 1.5
8	50053249	1	Complete Shield	20	50053250	1	Half Female Shaft w/ Shield
9	50017480	1	Ball Collar Kit 1-3/8"	21	50053251	1	Half Male Shaft w/ Shield
10	76080	8	Spring	22	78786	1	Danger Decal, Outer Tube
11	76081	1	Flanged Yoke	23	78608	1	Danger Decal, Outer Shield
12	76082	1	Bushing				





### 3 POINT LIFT AND TAILWHEEL FRAME FOR 420 SQUEALER

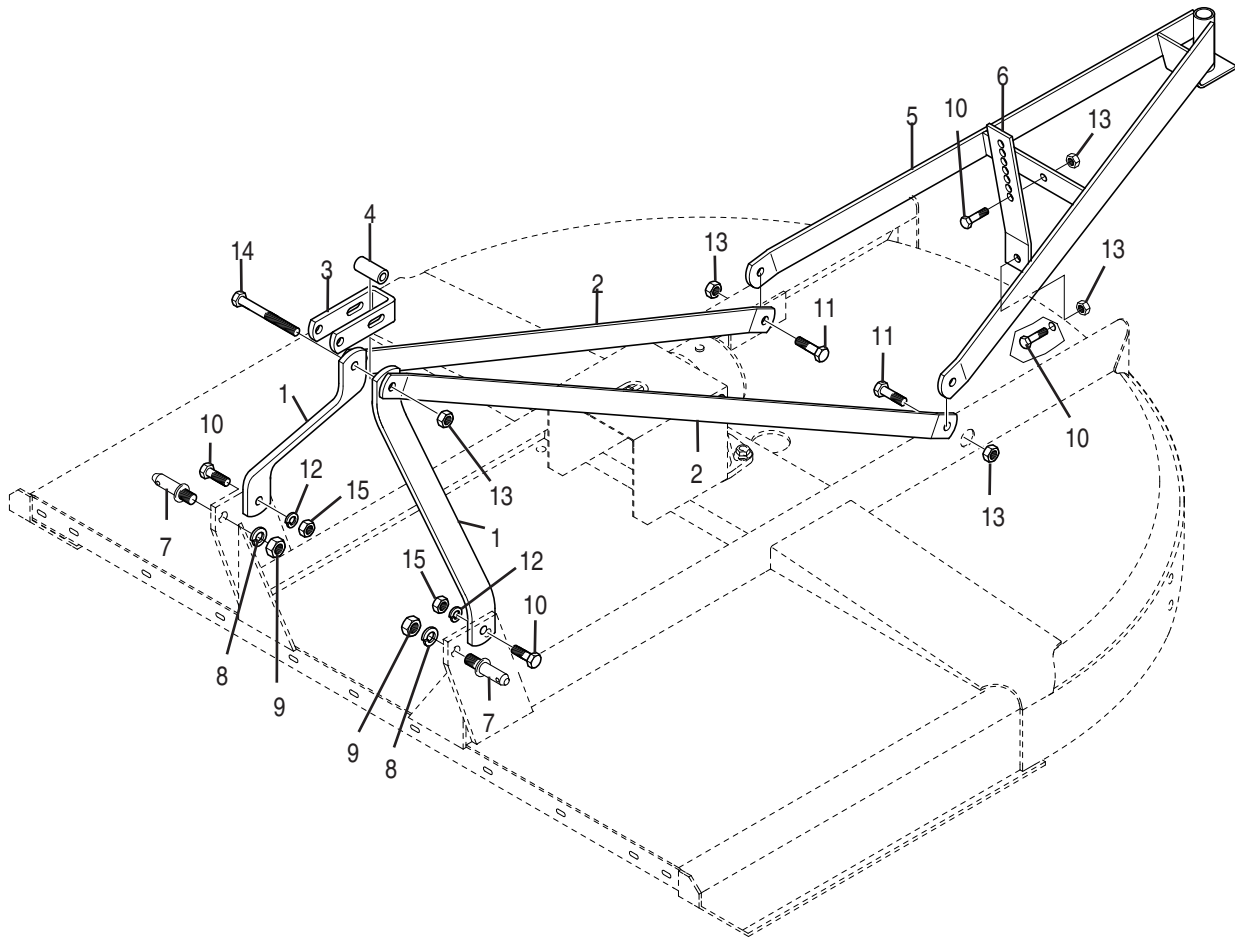
REF. NO.	PART NO.	QTY.	DESCRIPTION
1	88413	2	Strut
2	50017935	2	Yoke (SQ420) 3 1/2' Cutter
3	64114	1	Flex Link
4	64113	1	Pivot Tube
5	50017939	1	Tailwheel Frame
6	50020092	1	Adjustment Strap
7	63765	2	Lift Pin Cat. 1
8	15824	2	Lockwasher 7/8"
9	44061	2	Hex Nut 7/8" UNF
10	—	5	Capscrew 5/8" x 2" Gr. 5
11	—	2	Lockwasher 5/8"
12	—	5	Locknut 5/8"
13	—	1	Capscrew 5/8" x 6" Gr. 5
14	—	2	Hex Nut 5/8"



### 3 POINT LIFT AND TAILWHEEL FRAME

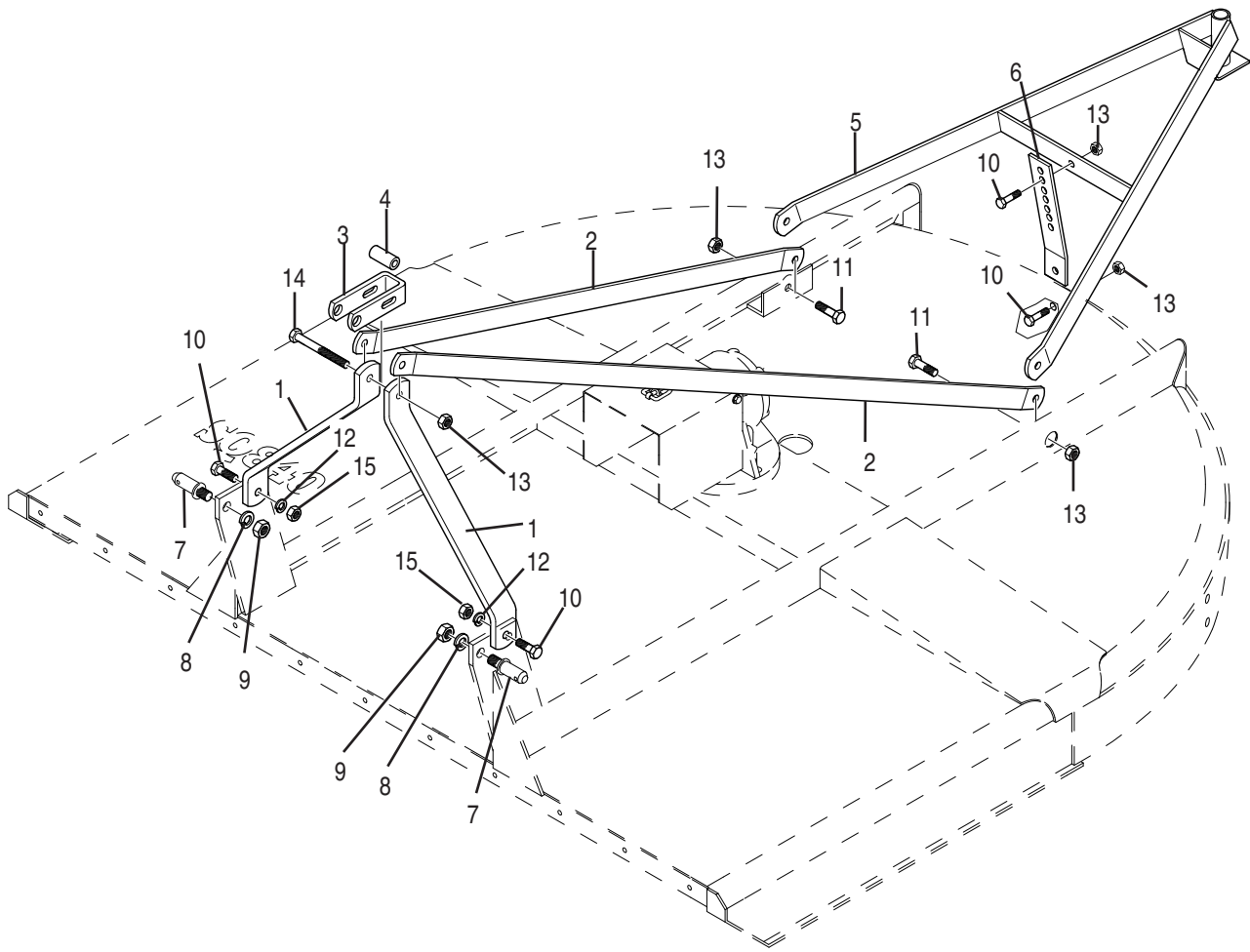
Model: SQ 480 Squealer

REF. NO.	PART NO.	QTY.	DESCRIPTION
1	88413	2	Strut
2	50017095	2	Yoke (SQ480) 4' Cutter
3	64114	1	Flex Link
4	64113	1	Pivot Tube
5	50017848	1	Tailwheel Frame
6	50017853	1	Adjustment Strap
7	63765	2	Lift Pin Cat. 1
8	15824	2	Lockwasher 7/8"
9	44061	2	Hex Nut 7/8" UNF
10	—	4	Capscrew 5/8" x 1 1/2" Gr. 5
11	—	4	Capscrew 5/8" x 2" Gr. 5
12	—	2	Lockwasher 5/8"
13	—	5	Locknut 5/8"
14	—	1	Capscrew 5/8" x 6" Gr. 5
15	—	4	Hex Nut 5/8"



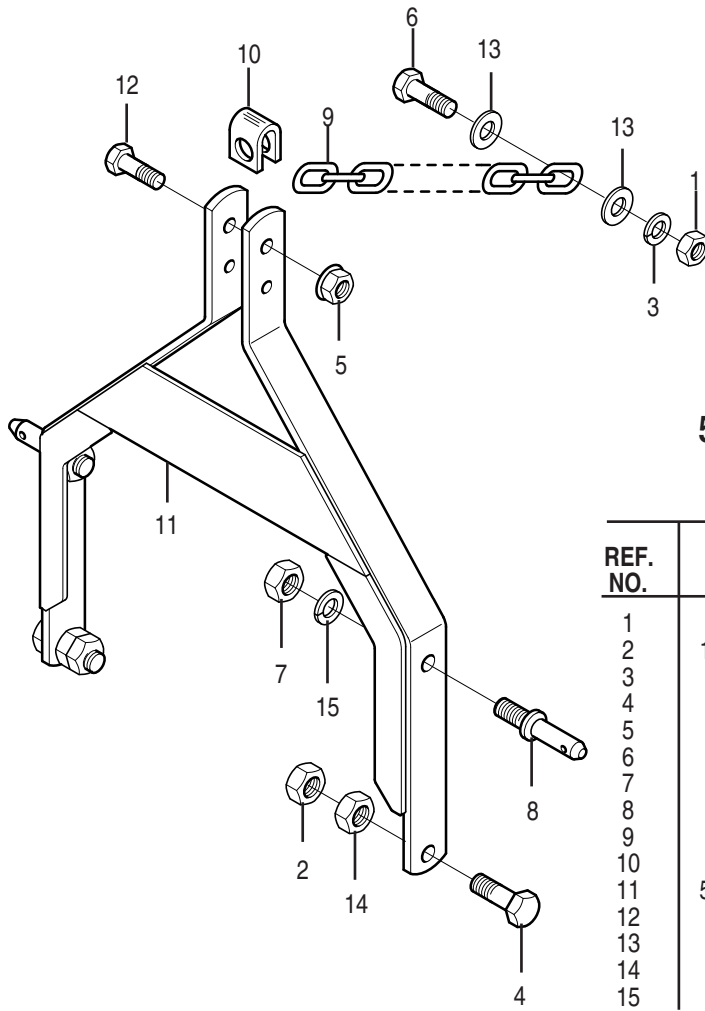
**3-POINT LIFT AND TAILWHEEL FRAME  
SQ600 & SQ720 SQUEALER**

REF. NO.	PART NO.	QTY.	DESCRIPTION
1	88413	2	Strut
2	50017852	2	Yoke (SQ600) 5' Cutter
	50017898	2	Yoke (SQ720) 6' Cutter
3	64114	1	Flex Link
4	64113	1	Pivot Tube
5	50017848	1	Tailwheel Frame
6	50017853	1	Adjustment Strap
7	63765	2	Lift Pin Cat. 1
8	15824	2	Lockwasher 7/8"
9	44061	2	Hex Nut 7/8" UNF
10	—	4	Capscrew 5/8" x 2" Gr. 5
11	—	2	Capscrew 5/8" x 2-1/4" Gr. 5
12	—	2	Lockwasher 5/8"
13	—	5	Locknut 5/8"
14	—	1	Capscrew 5/8" x 6" Gr. 5
15	—	2	Hex Nut 5/8"



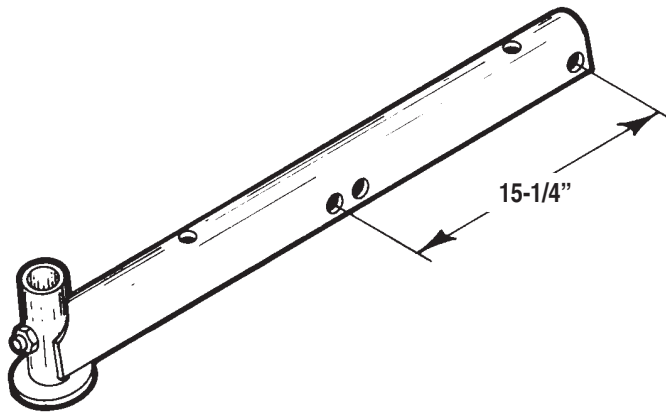
**3 POINT LIFT AND TAILWHEEL FRAME  
SQ840 SQUEALER**

REF. NO.	PART NO.	QTY.	DESCRIPTION
1	50017059	2	Strut
2	50017058	2	Yoke
3	64265	1	Flex Link Cat. 2
4	64113	1	Pivot Tube
5	50017066	1	Tailwheel Frame
6	50017853	1	Adjustment Strap
7	197	2	Lift Pin Cat. 2
8	15824	2	Lockwasher 7/8"
9	44061	2	Hex Nut 7/8" UNF
10	—	4	Capscrew 5/8" x 2" Gr. 5
11	—	2	Capscrew 5/8" x 2-1/4" Gr. 5
12	—	2	Lockwasher 5/8"
13	—	5	Locknut 5/8"
14	—	1	Capscrew 5/8" x 6" Gr. 5
15	—	2	Hex Nut 5/8"

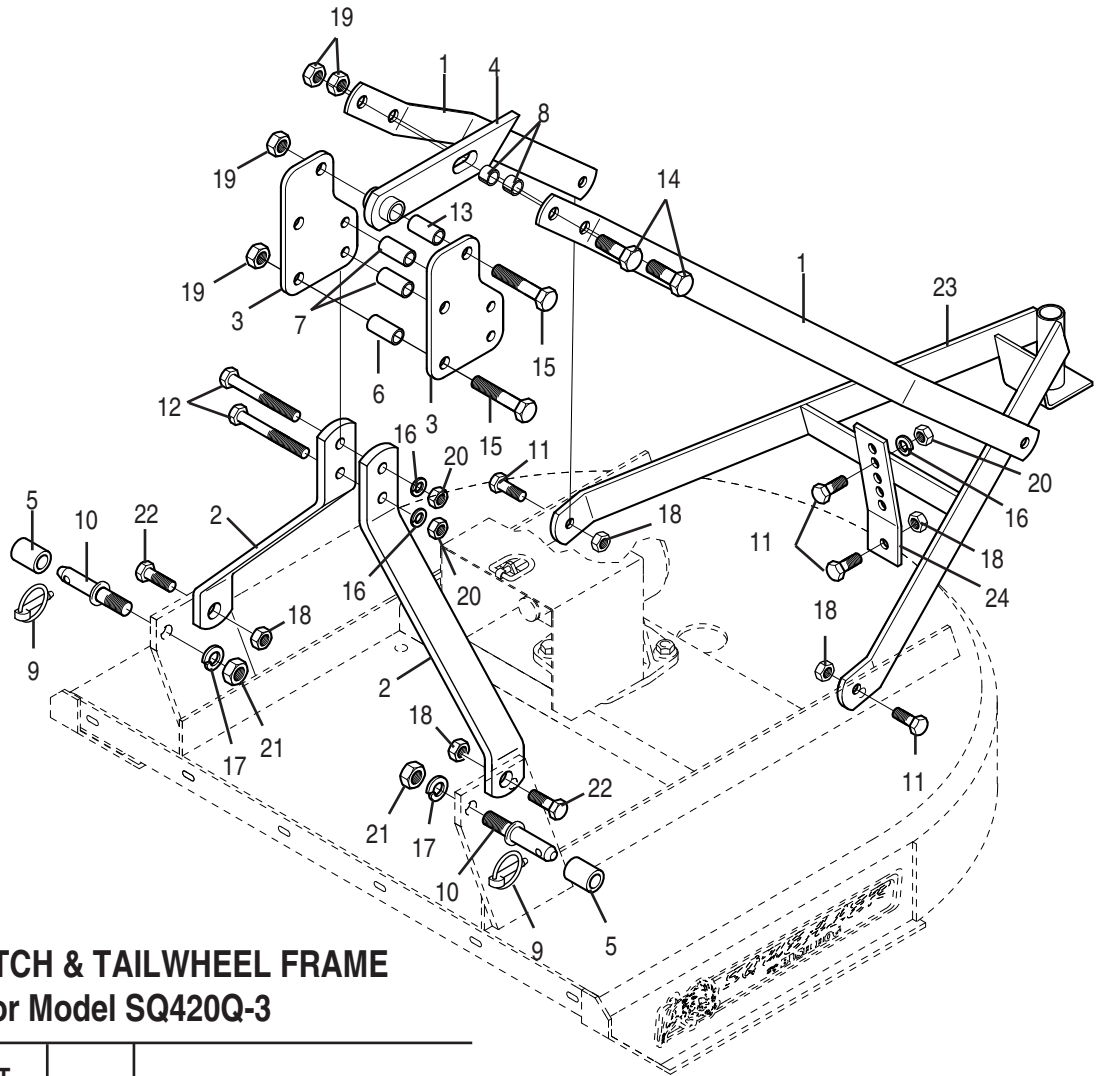


**50030681 "A" FRAME ASSEMBLY**  
Used on Model SQ84T

REF. NO.	PART NO.	QTY.	DESCRIPTION
1	—	1	Hex Nut 5/8" - 11 UNC
2	10152800	2	Locknut 7/8" - 9 UNC
3	—	1	Lockwasher 5/8"
4	—	2	Capscrew 7/8" - 9 UNC x 2-1/2" Gr.5
5	20414	1	Flanged Locknut 5/8" - 11 UNC
6	—	1	Capscrew 5/8" - 11 UNC x 5-1/2" Gr.5
7	67	2	Nut 7/8" - 14 UNF
8	65	2	Lift Pin
9	78461	1	Chain
10	66377	1	Attaching Spacer
11	50028391	1	"A" Frame
12	—	1	Capscrew 5/8" - 11 UNC x 4" Gr.5
13	—	2	Flatwasher 5/8"
14	—	2	Hex Nut 7/8" - 9 UNC
15	—	2	Lockwasher 7/8"



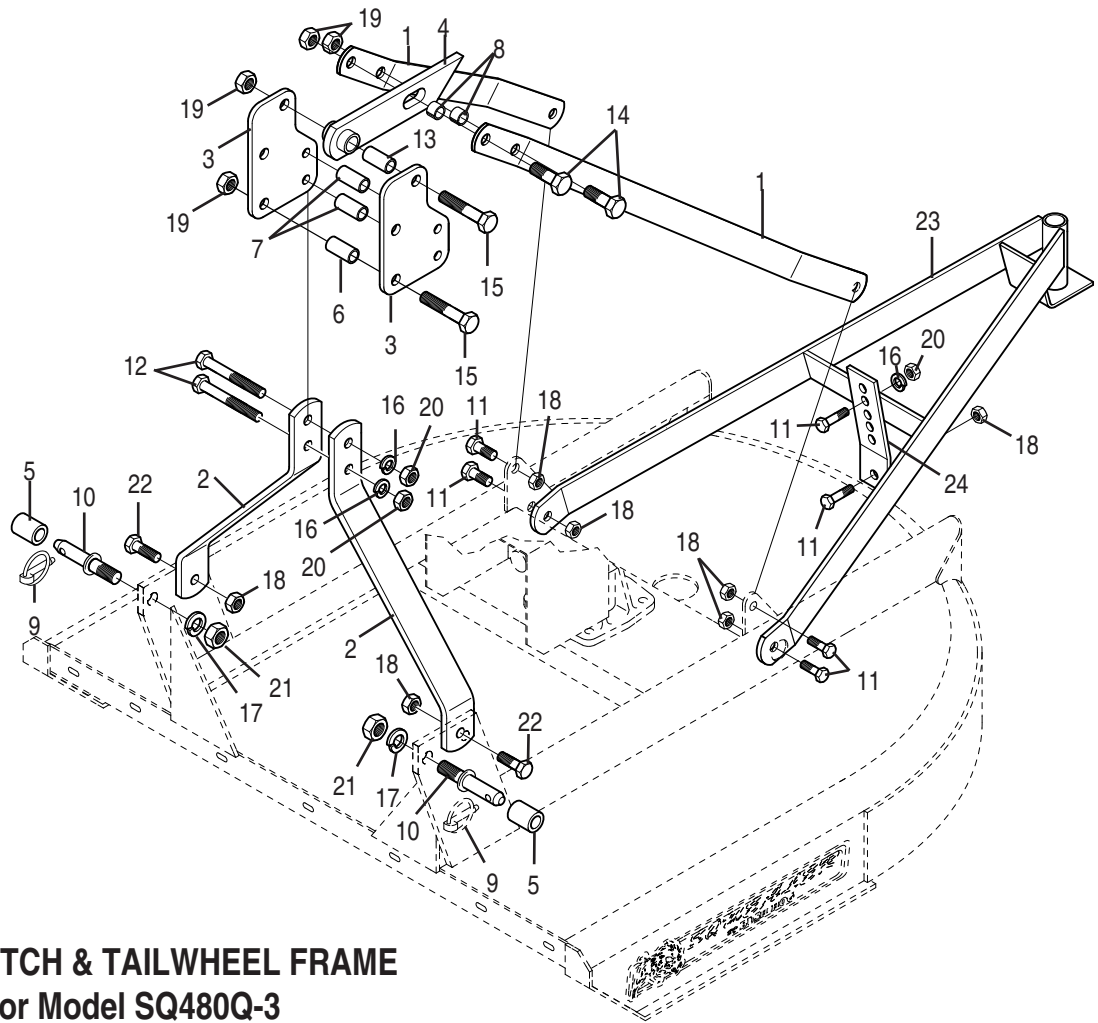
**83206 TAILWHEEL BEAM**  
Used On Model SQ84T



**QUICK HITCH & TAILWHEEL FRAME  
For Model SQ420Q-3**

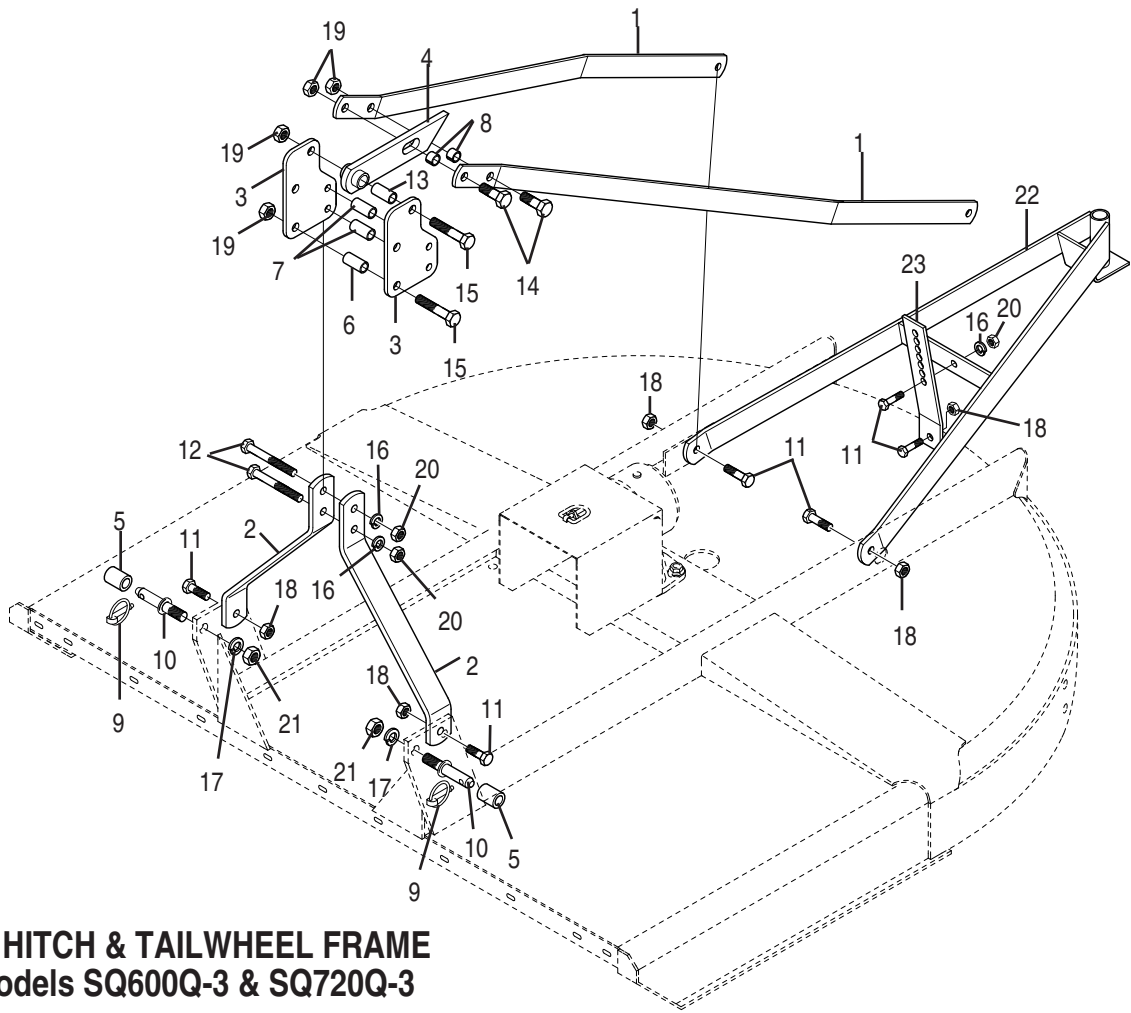
REF. NO.	PART NO.	QTY.	DESCRIPTION
1	50033666	2	Yoke
2	50033661	2	Cat. I Upper Strut
3	50033663	2	Top Plate
4	81999	1	Pivot Arm Weldment
5	50033673	2	Cat. I Quick Hitch Bottom Bushing
6	50033665	1	Cat. I Quick Hitch Top Bushing
7	50033664	2	Hitch Spacer Bushing
8	82006	2	Wear Bushing
9	2850005	2	Lynch Pin
10	63765	2	Lift Pin, Cat. I
11	—	4	Capscrew 5/8" x 1-3/4"
12	—	2	Capscrew 5/8" x 5"
13	82000	1	Spacer, Mast
14	—	2	Capscrew 3/4" x 2-1/2"
15	—	2	Capscrew 3/4" x 4"
16	—	3	Lockwasher 5/8"
17	20322	2	Lockwasher 7/8"
18	15598	5	Locknut 5/8"
19	20638	4	Locknut 3/4"
20	—	3	Hex Nut 5/8"
21	20399	2	Hex Nut 7/8" NF
22	—	2	Capscrew 5/8" x 2"
23	50017939	1	Tailwheel Frame
24	50020092	1	Adjustment Bar





**QUICK HITCH & TAILWHEEL FRAME**  
**For Model SQ480Q-3**

REF. NO.	PART NO.	QTY.	DESCRIPTION
1	50033667	2	Yoke
2	50033661	2	Cat. I Upper Strut
3	50033663	2	Top Plate
4	81999	1	Pivot Arm Weldment
5	50033673	2	Cat. I Quick Hitch Bottom Bushing
6	50033665	1	Cat. I Quick Hitch Top Bushing
7	50033664	2	Hitch Spacer Bushing
8	82006	2	Wear Bushing
9	2850005	2	Lynch Pin
10	63765	2	Lift Pin, Cat. I
11	—	4	Capscrew 5/8" x 1-1/2"
12	—	2	Capscrew 5/8" x 5"
13	82000	1	Spacer, Mast
14	—	2	Capscrew 3/4" x 2-1/2"
15	—	2	Capscrew 3/4" x 4"
16	—	3	Lockwasher 5/8"
17	20322	2	Lockwasher 7/8"
18	15598	7	Locknut 5/8"
19	20638	4	Locknut 3/4"
20	—	3	Hex Nut 5/8"
21	20399	2	Hex Nut 7/8" NF
22	—	4	Capscrew 5/8" x 2"
23	50017848	1	Tailwheel Frame
24	50017853	1	Adjustment Bar

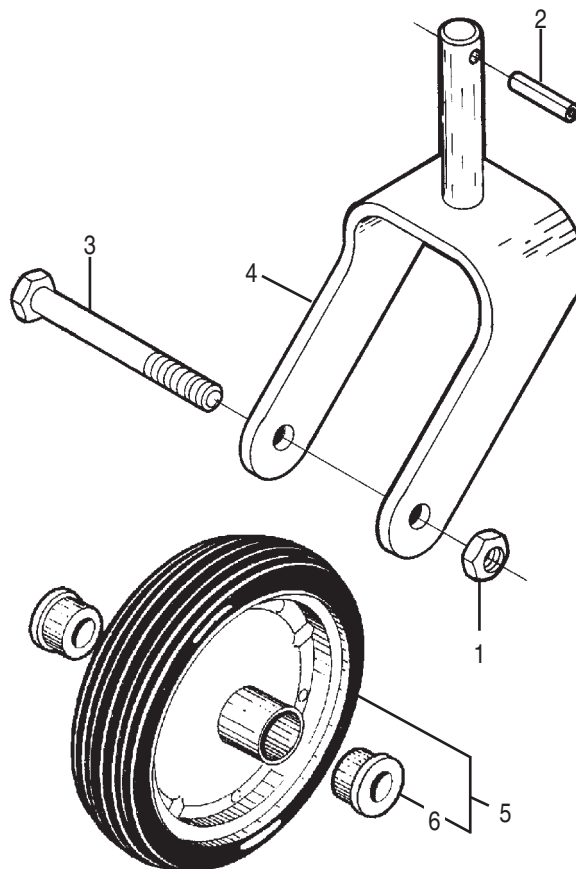


**QUICK HITCH & TAILWHEEL FRAME**  
**For Models SQ600Q-3 & SQ720Q-3**

REF. NO.	PART NO.	QTY.	DESCRIPTION
1	50033669	2	Yoke (SQ600Q-3)
	50033662	2	Yoke (SQ720Q-3)
2	50033661	2	Cat. I Upper Strut
3	50033663	2	Top Plate
4	81999	1	Pivot Arm Weldment
5	50033673	2	Cat. I Quick Hitch Bottom Bushing
6	50033665	1	Cat. I Quick Hitch Top Bushing
7	50033664	2	Hitch Spacer Bushing
8	82006	2	Wear Bushing
9	2850005	2	Lynch Pin
10	63765	2	Lift Pin, Cat. I
11	—	6	Capscrew 5/8" x 2"
12	—	2	Capscrew 5/8" x 5"
13	82000	1	Spacer, Mast
14	—	2	Capscrew 3/4" x 2-1/2"
15	—	2	Capscrew 3/4" x 4"
16	—	3	Lockwasher 5/8"
17	20322	2	Lockwasher 7/8"
18	15598	5	Locknut 5/8"
19	20638	4	Locknut 3/4"
20	—	3	Hex Nut 5/8"
21	20399	2	Hex Nut 7/8" NF
22	50017848	1	Tailwheel Frame
23	50017853	1	Adjustment Bar

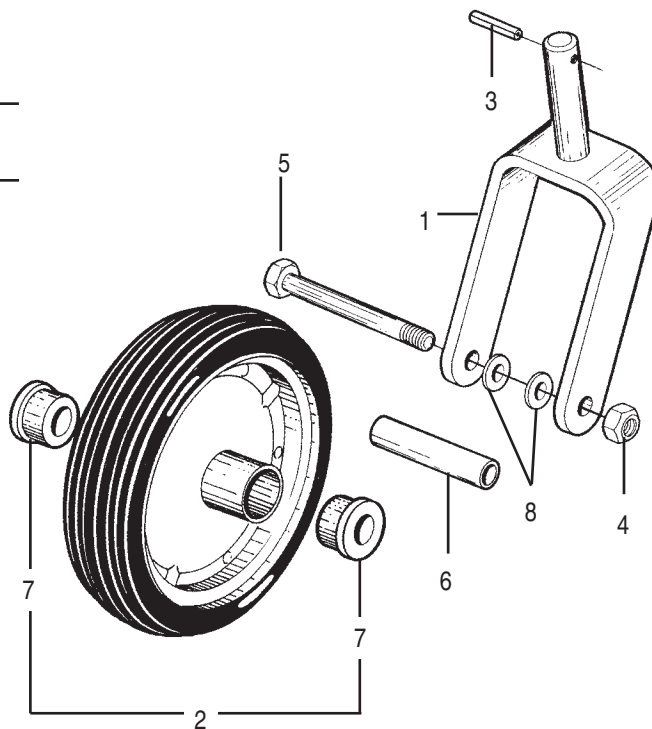
**66647 CASTER ASSEMBLY  
WITH SOLID RUBBER TIRE**  
Used on Model SQ420

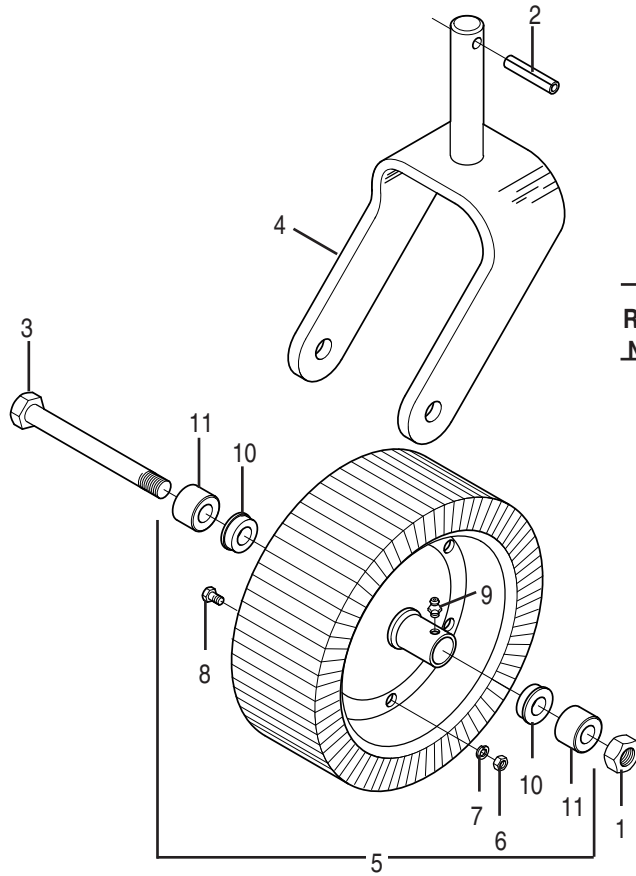
REF. NO.	PART NO.	QTY.	DESCRIPTION
1	20368	1	Locknut 3/4" - 10 UNC
2	20981	1	Roll Pin 1/2" x 1-3/4"
3	85445	1	Axle Bolt
4	64112	1	Caster Fork Weldment
5	66185	1	<b>Wheel Assembly</b>
6	66383	2	Bushing (Nylon)



**95542 CASTER ASSEMBLY  
WITH SOLID RUBBER TIRE**  
Used on SQ480, SQ600, SQ720 & SQ84T

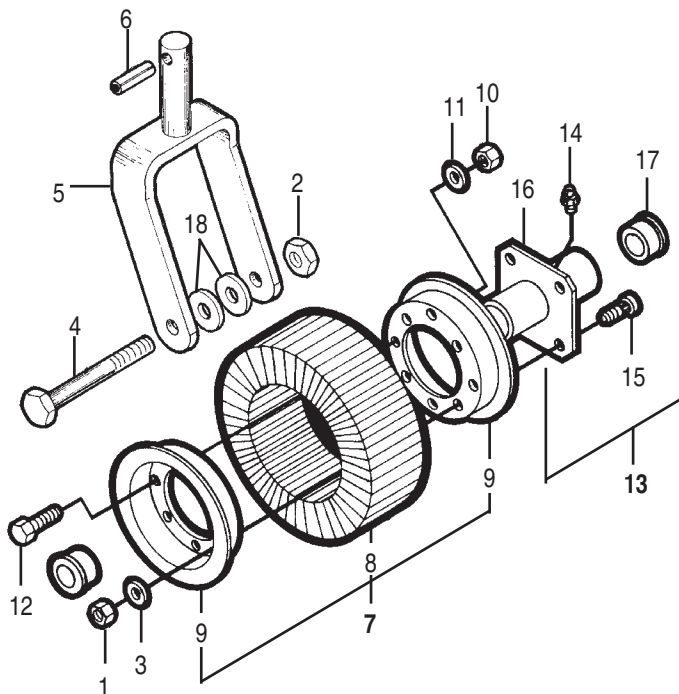
REF. NO.	PART NO.	QTY.	DESCRIPTION
1	99929	1	Caster Fork Weldment
2	50058327	1	Wheel Assembly
3	20981	1	Roll Pin 1/2" x 1-3/4"
4	20638	1	Locknut 3/4"
5	20946	1	Capscrew 3/4" X 8"
6	12263	1	Spacer Tube
7	50058328	2	Bushing 1"
8	50028263	2	Washer





**64400 LAMINATED TIRE ASSEMBLY**  
Used on SQ420

REF. NO	PART NO	QTY.	DESCRIPTION
1	20638	1	Locknut 3/4" - 10 UNC
2	20981	1	Roll Pin
3	85445	1	Caster Capscrew 3/4" x 7"
4	64112	1	Caster Fork Weldment
5	<b>50044330</b>	1	<b>Tire &amp; Wheel Assembly</b>
6	—	6	Hex Nut M5
7	—	6	Lockwasher M5
8	—	6	Capscrew M5 x 12 Gr.8.8
9	50144	1	Grease Fitting
10	50044331	2	Bushing
11	50044332	2	Bushing

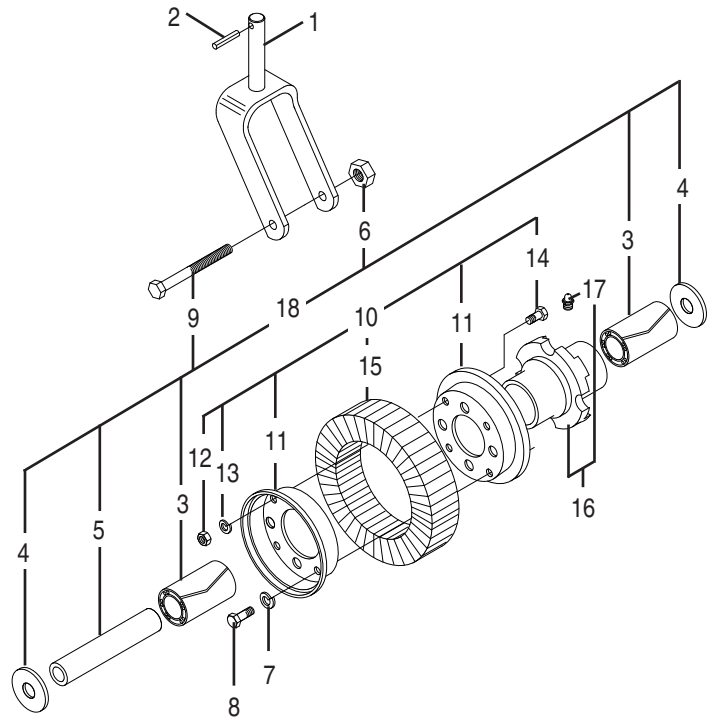


**9545 LAMINATED TIRE ASSEMBLY**  
Used on SQ480 & SQ84T

REF. NO.	PART NO.	QTY.	DESCRIPTION
1	15507	4	Hex Nut 1/2" NF
2	20638	1	Locknut 3/4"
3	—	4	Lockwasher 1/2"
4	20638	1	Capscrew 3/4" x 8"
5	99929	1	Fork Weldment
6	20981	1	Roll Pin 1/2" x 1-3/4"
7	<b>500</b>	1	<b>Tire Assembly</b>
8	56	1	Solid Tire
9	233	2	Wheel Flanges
10	—	4	Hex Nut 3/8"
11	—	4	Lockwasher 3/8"
12	—	4	Capscrew 3/8" x 1"
13	<b>63813</b>	1	<b>Hub Assembly</b>
14	449	1	Grease Fitting
15	20987	4	Wheel Bolt
16	60990	1	Hub Weldment
17	63811	2	Bushing
18	50028263	2	Washer

**99930 CASTER ASSEMBLY  
WITH LAMINATED TIRE**  
Used on SQ600, SQ720, SQ840

REF. NO.	PART NO.	QTY.	DESCRIPTION
1	99929	1	Caster Fork
2	20981	1	Roll Pin
3	12250	2	Roller Bearing
4	12261	2	Wear Washer
5	12263	1	Spacer Tube
6	20638	1	Locknut 3/4"
7	—	4	Lockwasher 1/2"
8	—	4	Capscrew 1/2" x 1" Gr.5
9	20946	1	Bolt 3/4" x 8" Gr.5
<b>10</b>	<b>500</b>	<b>1</b>	<b>Tire Assembly</b>
11	233	2	Wheel Flanges
12	—	4	Nut 3/8" x 9 UNC
13	—	4	Lockwasher 3/8" x 1" Gr.5
14	—	4	Capscrew 3/8" x 1" Gr.5
15	56	1	Tire
<b>16</b>	<b>12268</b>	<b>1</b>	<b>Hub Assembly</b>
17	449	1	Grease Fitting
18	88920	1	Bearing Repair Kit









**BUSH HOG<sup>®</sup>**

2501 Griffin Ave. • Selma, AL 36703  
(334) 872-6261 • (334) 874-2700  
Parts Ordering 1-800-304-2836  
Fax 1-800-572-1784  
[www.bushhog.com](http://www.bushhog.com)