



HEAD OFFICE 20 ARTHUR STREET NORTH, ELMIRA, ONTARIO N3B 1Z9
 TEL: (519) 669-4025 FAX: (519) 669-1436

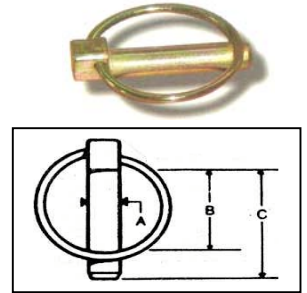
ORDER DESK e-mail: orders@walcoequipment.com
 TEL: (519) 669-1401 FAX (519) 669-3499

QUEBEC OFFICE 364 RTE.122 ST.GERMAIN DE GRANTHAM, QUÉBEC J0C 1K0
 TEL: (819) 395-5115 Fax (819) 395-2624
 e-mail: walcoqc@walcoequipment.com

HITCH ACCESSORIES

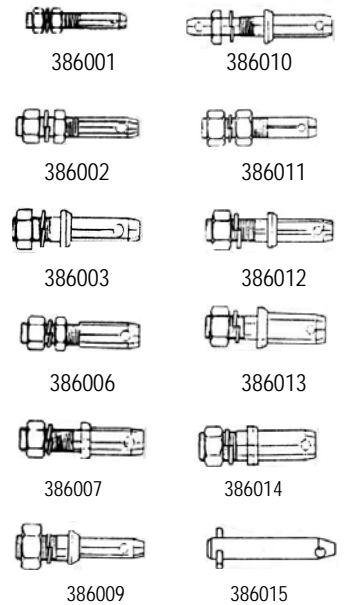
LYNCH PINS

ITEM #	A		B		C	
	IN.	MM.	IN.	MM.	IN.	MM.
385501	3/16	4	1-1/8	28	13/8	35
385502	1/4	6	1-7/16	36.5	1-3/4	44.5
385503	5/16	8	1-7/16	36.5	1-3/4	44.5
385505	3/8				1-3/4	
385507	7/16	11	1-13/32	36	1-3/4	44.5
385508	7/16	11	1/17/16	36.5	2	51
WITH HEAVY DUTY RING						
385510	7/16	11	1-13/32	36	1-3/4	44.5



LIFT ARM PINS

ITEM #	CAT.	TYPE	USABLE	PIN		THREAD	
				DIA.	DIA.	OVERALL	
386001	0	Adj.	Adj.	5/8	5/8	4	
386002	1	Adj.	Adj.	7/8	7/8	5-5/16	
386003	1	Forged	1-3/4	7/8	7/8	5-1/2	
386006	1 to 2	Adj.	Adj.	1-1/8	7/8	5-3/16	
386007	1 to 2	Forged	1-3/4	1-1/8	7/8	5-1/4	
386009	2 to 1	Forged	1-3/4	7/8	1-1/8	5-3/4	
386010	1 & 2	Forged	2-1/16	7/8&1-1/8	1	8	
386011	2	Adj.	Adj.	1-1/8	1-1/8	6-1/4	
386012	2	Forged	1-3/4	1-1/8	1-1/8	6-1/4	
386013	2 to 3	Forged	1-7/8	1-7/16	1-1/8	5-7/8	
386014	3	Forged	2	1-7/16	1-3/8	5-7/8	
386015	2	Clevis	4-7/16	1-1/8		6-1/2	



TOP LINKS

ITEM #	CAT	PIN TYPE	THREAD		ADJUSTMENT		
			HOLES	DIA.	BODY	Hole	Center
387601	0	Std	5/8	3/4	7-1/2	10-3/4	16-3/8
387602	1	Std	3/4	1-1/8	13	17-1/2	26
387603	1	Std.	3/4	1-1/8	16	20-1/2	29
387604	1	Std	3/4	1-1/8	20	24-1/2	33
387605	1&2	Std	3/4&1	1-1/8	16	20-3/4	31
387606	1&2	Std	3/4&1	1-1/8	20	24-3/4	35
387608	2	Std	1	1-1/8	16	21	33
387609	2	Std	1	1-1/8	20	25	37
387612	3	HD	1-1/4	1-3/8	19	25-1/2	36-1/2



REPLACEMENT ENDS (Top Links)

ITEM #	THREAD	CAT.	PIN		THREAD	
			HOLES	DIA.	DIA.	
387701	LH	1	3/4	1-1/8		
387702	RH	1	3/4	1-1/8		
387703	LH	2	1	1-1/8		
387704	RH	2	1	1-1/8		
387705	LH	2 HD	1	1-1/4		
387706	RH	2 HD	1	1-1/4		
387707	LH	3 HD	1-1/4	1-3/8		
387708	RH	3 HD	1-1/4	1-3/8		





HEAD OFFICE 20 ARTHUR STREET NORTH, ELMIRA, ONTARIO N3B 1Z9
 TEL: (519) 669-4025 FAX: (519) 669-1436

ORDER DESK e-mail: orders@walcoequipment.com
 TEL: (519) 669-1401 FAX (519) 669-3499

QUEBEC OFFICE 364 RTE. 122 ST.GERMAIN DE GRANTHAM, QUÉBEC J0C 1K0
 TEL: (819) 395-5115 Fax (819) 395-2624
 e-mail: walcoqc@walcoequipment.com

HITCH ACCESSORIES

HITCH PINS (Plastic Coated)

ITEM #	DIA.	USABLE LENGTH
384501	1/2	3-5/8
384502	5/8	4
384503	5/8	5-1/2
384504	3/4	4
384505	3/4	6-1/2
384506	7/8	6-1/2
384507	1	7-1/2
384508	1-1/8	8-1/2
384509	1-1/4	8-1/2
384510	1-1/2	8-1/2

Made of high tensil steel.
 One piece forged pin w/
 extra large head.
 Welded, red plastic coated handle.



Baked black painted finish on pin.
 Includes pin.
 Heat treated to28 - 35 rockwell.

HITCH PINS (Drop Forged)

ITEM #	DIA.	USABLE LENGTH
384604	3/4	4
384607	5/8	6
384608	3/4	6-1/4
384609	7/8	6-1/2
384610	1	6-3/4
384611	1-1/8	7
384612	1-1/4	7

Forged from high tensile steel.
 One piece, drop forged pin
 is painted and baked bright red.



Zinc plated spring wire handle.
 Includes hair pin.
 Heat treated to28 - 35 rockwell

HITCH PINS

				WITH CHAIN
ITEM #	USABLE	LIST	ITEM #	
/CLIP	DIA.	LENGTH	PRICE	/CHAIN
384701	1/2	4-1/4	\$ 1.55	384801
384702	5/8	4-1/4	\$ 1.95	384802
384703	5/8	6-1/4	\$ 2.20	384803
384704	3/4	4-1/4	\$ 2.46	384804
384705	3/4	6-1/4	\$ 2.82	
384706	7/8	4-1/4	\$ 2.75	384806
384707	7/8	6-1/4	\$ 3.60	384807
384708	1	4-1/4	\$ 2.98	
384709	1	6-1/4	\$ 4.33	

Forged from1040 steel.
 Zinc plated, pin
 Spring wire handle.
 Includes Hair clip cotter pin.



HITCH PINS (Bent)

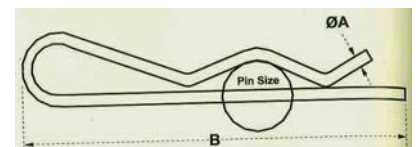
ITEM #	DIA.	LENGTH
385001	1/2	3
385002	5/8	3
385003	3/4	3-1/2

One piece, high carbon steel pin.
 Zinc plated. Includes clip.



HAIR CLIP COTTER (Made of Spring Steel)

ITEM #	PIN SIZE				B	
	A	mm	in.	mm	in.	mm
383501	5/64	2	1/4-7/16	6-11	1-5/8	42
383502	3/32	2.5	5/16-1/2	8-12	1-11/16	43
383503	1/8	3	3/8-11/16	10-18	2-1/2	64
383504	5/32	4	1/2-7/8	12-22	3	76
383505	11/64	4.5	3/8-11/16	10-18	4-1/8	105
383506	13/64	5	5/8-1-1/16	16-27	4	100
383507	1/4	6	3/4-1-1/4	19-32	4-1/2	110
383508	9/32	7	1-1-1/2	25-28	6	152





HEAD OFFICE 20 ARTHUR STREET NORTH, ELMIRA, ONTARIO N3B 1Z9
 TEL: (519) 669-4025 FAX: (519) 669-1436
ORDER DESK e-mail: orders@walcoequipment.com
 TEL: (519) 669-1401 FAX (519) 669-3499
QUEBEC OFFICE 364 RTE.122 ST.GERMAIN DE GRANTHAM, QUÉBEC JOC 1KO
 TEL: (819) 395-5115 Fax (819) 395-2624
 e-mail: walcoqc@walcoequipment.com

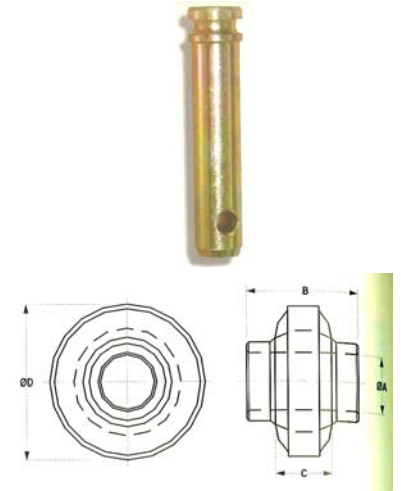
HITCH ACCESSORIES

TOP LINK PINS

ITEM #	CAT.	DIA.	USABLE	OVERALL
387501	0	5/8	2-3/4	4-7/16
387502	1	3/4	2-3/4	4-1/2
387503	1	3/4	3-7/8	5-1/2
387504	1	3/4	4-3/4	6-3/8
387505	2	1	3-9/16	5-1/4
387506	2	1	4-5/16	6
387507	3	1-1/4	4-7/16	6-1/2

TOP LINK SOCKET (Unplated)

ITEM #	CAT.		A	B	C	D
381501	0	Standard	5/8"	1"	7/8"	2"
381502	1	Standard	3/4"	1-5/8"	3/4"	2"
381504	2	Standard	1"	1-3/32"	7/8"	2-3/8"
381506	3	Standard	1-1/4"	1-3/4"	1-9/32"	3-1/8"



BUSHINGS (Zinc Plated)

ITEM #	TYPE	CATEGORY	I.D.	O.D.	OVERALL
381701	Top Link	1-2	3/4	1	2
381702	Top Link	1-2	3/4	1	1-5/8
381703	Top link	1-2	1	1-1/4	2
381704	Lift Arm	1-2	7/8	1-1/8	1-3/4
381705	Lift Arm	1-2	7/8	1-1/8	1-3/8
381706	Lift Arm	2-3	1-1/8	1-7/16	3-1/4
381707	Lift Arm	1-2	1-1/8	1-1/8	1-3/4
381708	Lift Arm	2-3	1-1/8	1-7/16	3-1/4
381709	Lift Arm	2-3	1-1/8	1-7/16	2-1/2



HITCH BUSHING (Zinc Plated)

ITEM #	CATEGORY	I.D.	O.D.
385301	2 to 3	1-1/8	1-7/16



TRACTOR DRAWBAR GRAB HOOK

ITEM #	PIN DIAMETER	W.L.L. LBS.	LIST PRICE
387801	3/4		9500



CLEVISES

ITEM #	TYPE	PIN SIZE	BODY DIA.	W.L.L. LBS.
382501	Straight	1/2	5/8	7,000
382502	Twist	1/2	5/8	7,000
382503	Straight	5/8	3/4	14,000
382504	Twist	5/8	3/4	14,000
382505	Straight	3/4	7/8	18,000
382506	Twist	3/4	7/8	18,000
382507	Straight	7/8	15/16	22,000
382508	Twist	7/8	15/16	22,000
382509	Straight	1	1	25,000
382510	Twist	1	1	25,000





HEAD OFFICE 20 ARTHUR STREET NORTH, ELMIRA, ONTARIO N3B 1Z9
 TEL: (519) 669-4025 FAX: (519) 669-1436

ORDER DESK e-mail: orders@walcoequipment.com
 TEL: (519) 669-1401 FAX (519) 669-3499

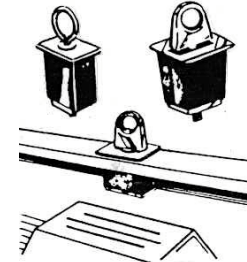
QUEBEC OFFICE 364 RTE.122 ST.GERMAIN DE GRANTHAM, QUÉBEC J0C 1K0
 TEL: (819) 395-5115 Fax (819) 395-2624
 e-mail: walcoqc@walcoequipment.com

W - Page 4

HITCH ACCESSORIES

ANCHOR POINTS(For Pick up Trucks)

ITEM #	TYPE	FINISH
381001	Eyebolt	Zinc Plated
381002	Decorative	Chrome Plated



RATCHET JACK & HYDRAULIC CYLINDER

ITEM #	DESCRIPTION	THREAD DIA.	CLEVIS PIN DIA.	ADJ.
386501	Ratchet Jack w/Pins & Handle	1-1/4	1	20 - 28



PIN KIT

ITEM #	DESCRIPTION	PIN DIA.	USABLE	OVERALL
386502	Pin w/2 Clips	1	2-3/4	3 1/2



ITEM #	DESCRIPTION	H.P.	SPLINE	SPLINE	PTO	OVERALL
386801	Forged Increaser	70	1-1/8 x 6	1-3/8 x 6	1-1/8	3
386802	Sleeve Increaser Fits all except Ford	70	1-1/8 x 6	1-3/8 x 6	0	2-1/4
386803	Sleeve Increaser	70	1-1/8 x 6	1-3/8 x 6	0	1-7/8
386804	Forged Increaser	70	1-1/8 x 6	1-3/8 x 6	2-1/2	4-5/8
386805	Forged Reducer	70	1-3/8 x 6	1-3/8 x 6	2-3/4	5-3/8
386806	Forged Extender	70	1-3/8 x 6	1-3/8 x 6	3	5-3/8
386808	21 to 6 Splined OR 1000 to 540 RPM	70	1-3/8x21	1-3/8x6	4-1/8	6-3/8
386809	QR 6 Splined Extender	70	1-3/8 x 6	1-3/8 x 6	4-1/8	3-3/8
386810	QR 21 Splined Extender	70	1-3/8 x 21	1-3/8 x 21	4-1/8	5-7/8
386813	20 to 6 Splined H.D. Adaptor	150	1-3/4 x 20	1-3/4 x 6	5	7-7/8
386815	21 to 20 Splined H.D. Adaptor	150	1-3/4 x 21	1-3/8 x 20	5-1/2	7-7/8





HEAD OFFICE 20 ARTHUR STREET NORTH, ELMIRA, ONTARIO N3B 1Z9
TEL: (519) 669-4025 FAX: (519) 669-1436

ORDER DESK e-mail: orders@walcoequipment.com
TEL: (519) 669-1401 FAX (519) 669-3499

QUEBEC OFFICE 364 RTE. 122 ST. GERMAIN DE GRANTHAM, QUÉBEC J0C 1K0
TEL: (819) 395-5115 Fax (819) 395-2624
e-mail: walcoqc@walcoequipment.com

HITCH ACCESSORIES

DRAWBAR (One Piece)

ITEM #	L CAT.	LIFT ARM # OF		HOLE PIN		THICKNESS	WIDTH
		SPACING	HOLES	DIA.	DIA.		
383001	1	20	7	3/4	7/8	1	2-1/2
383002	1	26	11	3/4	7/8	1	2-1/2
383003	2	26	11	3/4	1-1/8	1-1/4	3
383004	2	32	13	3/4	1-1/8	1-1/4	3



HITCH BALLS (Forged and Chrome Plated) HIGH QUALITY - LOAD RATED

ITEM #	VESC	MAX.	BALL	THREAD	STUD
	CLASS	LOAD	SIZE	DIA.	LENGTH
385401	I	2000	1-7/8	3/4	1-3/4
385402	II	3500	2	3/4	1-3/4
385403	III	5000	2	1	2-1/8
385404	IIII	7500	2-5/16	1-1/4	2-1/8



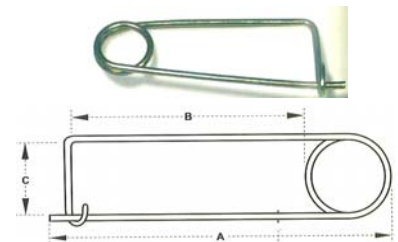
SNAPPER PINS

ITEM #	SIZE	SHAPE
387104	1/4 x 1-3/8	Round
387108	5/16X2-1/4	Round
387109	5/16X2-1/4	Square
387110	3/8X2-1/4	Round
387113	3/8x2-1/2	Square
387106	1/4X2-3/4	Round
387112	1/4X2-3/4	Square



SAFETY PINS

ITEM #	LENGHT-A	LENGHT-B	WIDTH -C
387301	1-9/16"	1-5/16"	3/8"
387302	1-3/4"	1-1/16"	3/8"
387303	2-3/4"	1-11/16"	5/8"
387304	4-3/8"	2-13/16"	13/16"
387305	5-3/4"	3-3/4"	1-1/8"



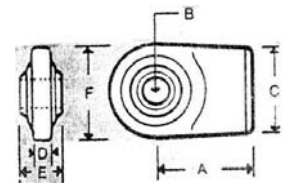
STABILIZER PIN

ITEM #	PIN DIA.	THREAD DIA.	USABLE	OVERALL
387002	7/8"	5/8"	3/8"	2-5/8"
387020	7/8"	no thread	3/8"	1-1/2"



BALL ENDS (Lower Link weld-on)

ITEM #	A		B		C		D		E		F	
	in.	mm	in.	mm	in.	mm	in.	mm	in.	mm	in.	mm
381806	2-3/4	70	7/8	22	2-3/8	60	5/8	16	1-3/8	35	2-5/8	66
381807	3-1/8	80	1	25	2-3/4	70	3/4	19	1-1/2	38	3-1/4	82
381808	3-1/8	80	1-1/8	28.5	2-3/4	70	3/4	19	1-1/2	38	3-1/4	82



LIFT ARM SOCKETS (Unplated)

ITEM #	DESCRIPTION
387907	H.D. Cat. 1 & 2 .7/8 & 1-1/8"
387911	H.D. Cat. 2. 1-1/8"
387913	Standard Cat. 3 1-7/16"

