

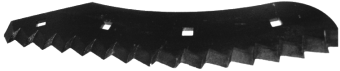
# TRACTOR PULL MIXERS

## SD Series

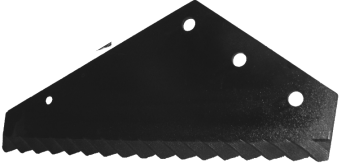
### MAJOR COMPONENTS



Aggressive Knife



Curved Knife



Triangle Knife



Hiway Commercial Low Pro Super Singles



Hiway Commercial Dual Tires



SD Walking Axle (Optional)

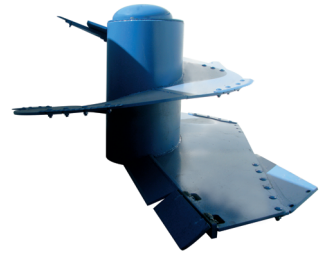


SD Frame Component



Bolt on Double Entry Safe Viewing Platform (Optional)

*All Tornado Augers are equipped with 3 different styles of deep serrated, heat treated, tungsten carbide knives. 3 different style of knives depending on your nutrition needs can process any kind of fiber (hay, haylage, silage, straw, byproducts, corn and soybean stalks).*



SD Tornado Auger  
Auger Thickness 1/2"  
(Option 3/4")

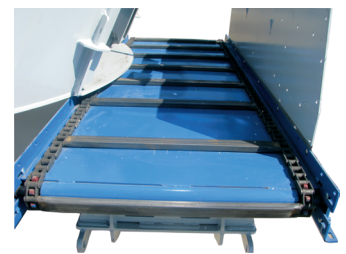
SD 2 Speed Gearbox



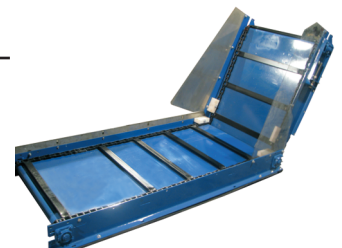
SD Planetary Gearbox  
3-5 yr warranty



SD Dual Conveyor



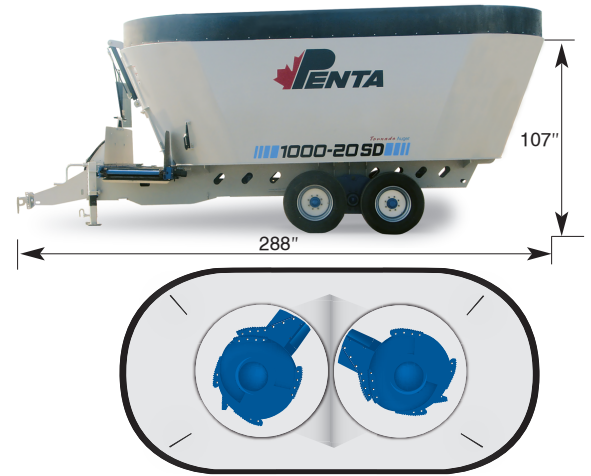
SD Flip-up Conveyor



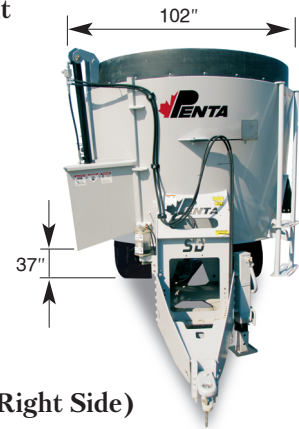
**TRACTOR PULL MIXERS**  
**SD Series**

		<b>1000-20</b>
Double Auger		Std.
Capacity (Top of Metal)	cu/ft	1 000
	cu/metre	28,3
Capacity (with Extension)	cu/ft	1 120
	cu/metre	31,7
Trailer Model		Std.
Truck Mount		Opt.
Stationary Model		Opt.
	540 RPM	N/A
	1000 RPM	Std.
No 2 – Speed Gearbox (HP)		180
1:3 Regular 2 – Speed Gearbox (120 HP)		Opt.
1:5 Low 2 – Speed Gearbox (100 HP)		Opt.
1:8 Super Low 2 – Speed Gearbox (90 HP)		Opt.
Corner Door–Right Front		Std.
	Left Rear	Opt.
Dual Conveyor		Opt.
Sliding Dual Conveyor		Opt.
Dog Leg Conveyor (Right or Left Side)		Opt.
Flip–up Conveyor (Right or Left Side)		Opt.
Rear Commodity Door		Opt.
Extra Side Door(s)		Opt.
Weight–Pounds		15 111
	Kilograms	6 865
Single Axle		Std.
26 X 12 on 6 Bolt		N/A
12.5L X 15 on 8 Bolt Rims		Std.
19/45X17 Flotation on 8 Bolt Rims		N/A
245/70/17.5 Duals on 8 Bolt		N/A
245/70RX19.5 Duals on 10 Bolt Rims		Std.
435/50R/19.5 Super Singles		Opt.
500/45X20 Lugger on 10 Bolt Rims		Opt.
Brakes		Opt.
Lights		Opt.
Wall Thickness – 1/4", Floor – 1/2"		

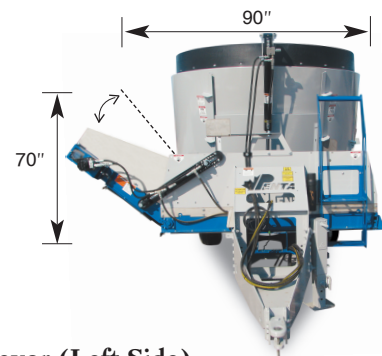
**Model 1000-20 S.D. Low Pro Trailer**  
**Base Machine**



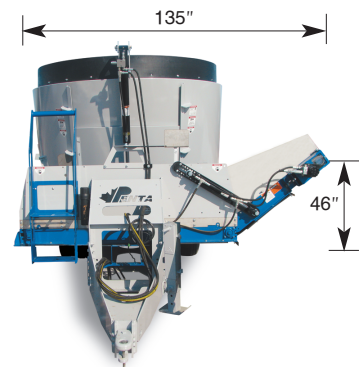
**Standard Equipment**  
**Corner Door**



**Options**  
**Flip-up Conveyor (Right Side)**



**Flip-up Conveyor (Left Side)**



**Dual Conveyor**

