

# TRACTOR PULL MIXERS

## SD Series

### MAJOR COMPONENTS



Aggressive Knife



Curved Knife



Triangle Knife



Hiway Commercial Low Pro Super Singles



Hiway Commercial Dual Tires



SD Walking Axle  
(Optional)



SD Frame Component



Bolt on Double Entry Safe Viewing Platform  
(Optional)

All Tornado Augers are equipped with 3 different styles of deep serrated, heat treated, tungsten carbide knives. 3 different style of knives depending on your nutrition needs can process any kind of fiber (hay, haylage, silage, straw, byproducts, corn and soybean stalks).

SD 2 Speed Gearbox



SD Tornado Auger  
Auger Thickness 1/2"  
(Option 3/4")



SD Planetary Gearbox  
3-5 yr warranty



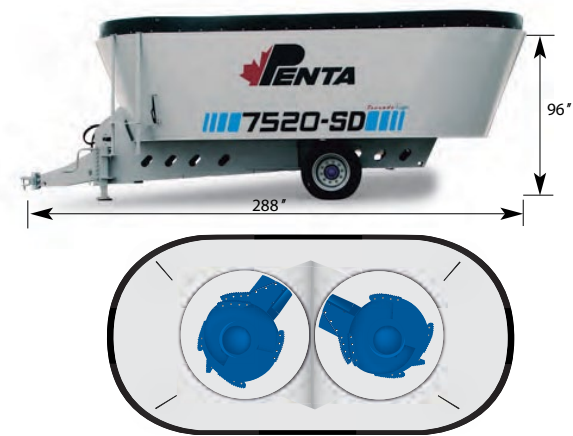
SD Dual Conveyor



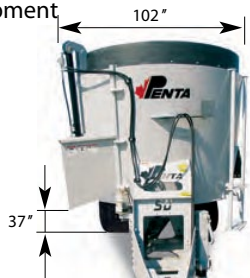
SD Flip-up Conveyor



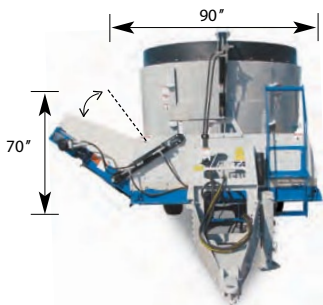
Model 7520 S.D. Low Pro Trailer  
Base Machine



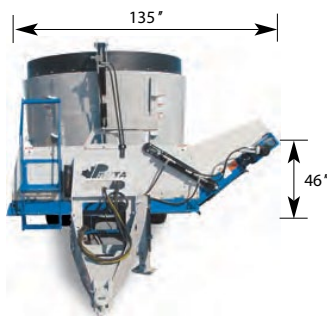
Standard Equipment  
Corner Door



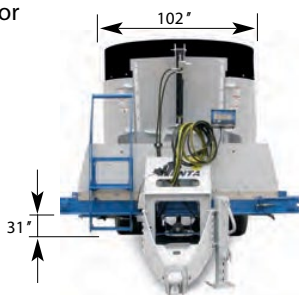
Options  
Flip-up Conveyor (Right Side)



Flip-up Conveyor (Left Side)



Dual Conveyor



TRACTOR PULL MIXERS  
SD Series

	7520
Double Auger	Y
Capacity (Top of Metal) cu/ft	700
cu/metre	21,3
Capacity (with Extension) cu/ft	840
cu/metre	23,8
Trailer Model	Y
Truck Mount	Y
Stationary Model	Y
540 RPM	Y
1000 RPM	Std.
No 2 - Speed Gearbox (HP)	160
1:3 Regular 2 - Speed Gearbox (110 HP)	Opt.
1:5 Low 2 - Speed Gearbox (90 HP)	Opt.
1:8 Super Low 2 - Speed Gearbox (80 HP)	Opt.
Corner Door-Right Front	Opt.
Left Rear	Opt.
Dual Conveyor	Opt.
Sliding Dual Conveyor	Opt.
Dog Leg Conveyor (Right or Left Side)	Opt.
Flip-up Conveyor (Right or Left Side)	Opt.
Rear Commodity Door	Opt.
Extra Side Door(s)	Opt.
Weight-Pounds	13 792
Kilograms	6 270
Single Axle	Std.
26 X 12 on 6 Bolt	N/A
12.5L X 15 on 8 Bolt Rims	N/A
19/45X17 Flotation on 8 Bolt Rims	N/A
245/70/17.5 Duals on 8 Bolt	N/A
245/70RX19.5 Duals on 10 Bolt Rims	Std.
435/50R/19.5 Super Singles	Opt.
500/45X20 Luger on 10 Bolt Rims	Opt.
Brakes	Opt.
Lights	Opt.
Thickness Wall - 1/4", Floor - 1/2"	