

BUSH HOG[®]

Performance You Can Count On[™]

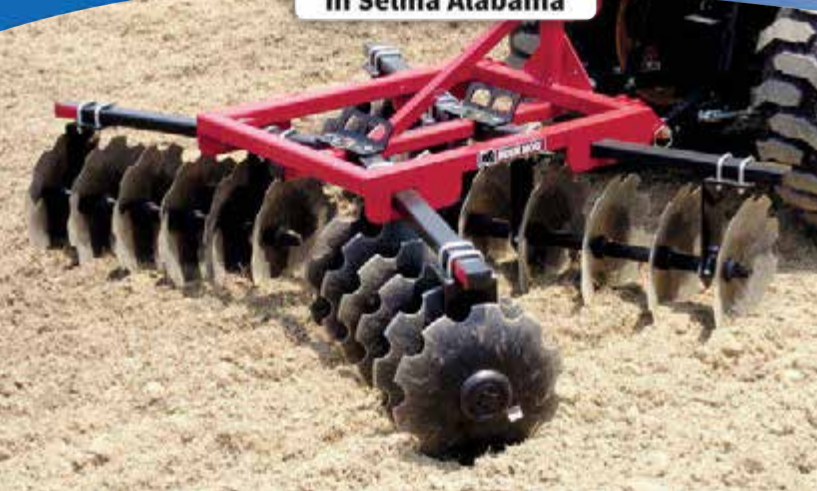
CONSTRUCTION, LANDSCAPE & TILLAGE

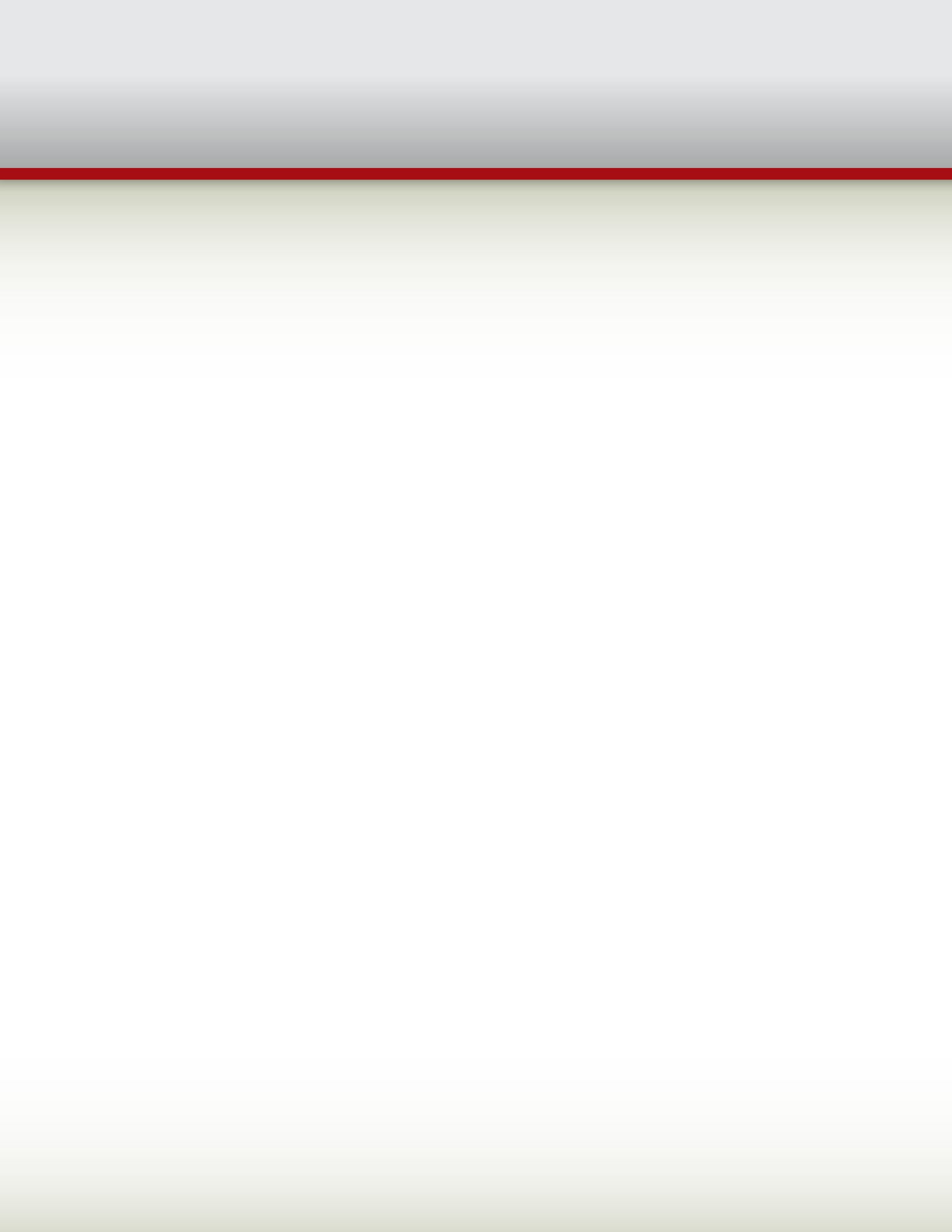


Made
**BUSH
HOG**
TOUGH
in Selma Alabama



Path to New Horizons





Index of Products

Construction

| | |
|---|----|
| Pull Dirt Scrapers | 2 |
| Post Hole Diggers | 4 |
| Hydraulic Post Hole Diggers | 6 |
| Backhoes | 8 |
| Pressure Washers | 12 |
| Generator/Compressor/Welder Units | 14 |
| Skid Steer Buckets | 16 |
| Grapples | 20 |
| Pallet Forks | 24 |

Landscape

| | |
|---|----|
| Compact Implements (Rear Blades, Box Blades, Tillers, Road Grader, Rakes) | 26 |
| Rear Mounted Blades | 28 |
| Box Blades | 32 |
| Road Grader | 37 |
| Landscape Rakes | 41 |
| Pulverizers | 42 |
| Pluggers | 43 |
| Speed Seeders | 44 |
| Spreader | 46 |

Tillage

| | |
|---|----|
| Compact Implements (Standard Duty Subsoiler, Layoff Plow, Cultivator) | 47 |
| Rotary Tillers (See Landscape Section for Compact Tiller) | 49 |
| Lift Disc Harrows | 51 |
| Pull Disc Harrows | 53 |
| All Purpose Plow | 55 |
| Heavy Duty Subsoilers | 57 |
| Pasture Aerators | 59 |

DSP SERIES

PULL DIRT SCRAPERS

CONSTRUCTION



Bush Hog's new DSP Line of Pull-Type Drag Scrapers, with standard fixed axle or optional tilt axle, is ideal for moving large quantities of material, leveling, and finish grading. The DSP units come available in 8', 10' and 12' widths. DSP scrapers equipped with the optional tilt axle can do everything the standard axle does, as well as remove material on an angle for sloping, terracing and ditching. Material can be transferred by dragging it to nearby locations and raising the scraper to deposit the load. Surfaces can be graded and leveled by scraping material from high areas and allowing accumulated material to flow under the grader blade into lower areas. The DSP scrapers are designed for 70 to 125 horsepower tractors and have replaceable wear plates on the sides.

PULL DIRT SCRAPERS SPECIFICATIONS

| Description | DSP8 | DSP10 | DSP12 |
|----------------------------------|---|----------------|---------------|
| Horsepower Rating | 70 to 125 | | |
| Transport Width | 97" | 121" | 145" |
| Working Width | 96 3/16" | 120 3/16" | 144 3/16" |
| Capacity | 1 3/4 cu. yds. | 2 1/4 cu. yds. | 2 3/4 cu yds. |
| Weight with Weight Box | without material in wieght box | | |
| Tilt Axle | 1525 | 1645 | 1700 |
| No Tilt Axle | 1405 | 1525 | 1580 |
| Weight of Material in Weight Box | 760 | | |
| Depth of Box | 39" | | |
| Maximum Cutting Depth | 5" below grade | | |
| Dump Clearance | 21" | | |
| Maximum Tilt Depth To the Right | 7" | 7 5/8" | 8 1/4" |
| Maximum Tilt angle | 3 1/2° | | |
| Tongue Construction | 4" x 4" x 1/4" tubing | | |
| Side Plate Construction | 3/8" x 24 5/16" high x 39 3/4" deep | | |
| Moldboard Construction | 1/4" x 24 1/4" high when formed | | |
| Cutting Edge | 1/2" x 6" reversible & replacable | | |
| Cutting Edge Reinforcment | 3" x 3" x 5/16" angle plus a 1/4" mold board = 9/16" at the cutting edge. | | |
| Tires | New 9.5I x 15 8 PLY RIB TL on Rim 5 with 5.5 BHC | | |
| Maximum Transport Speed | 20 MPH | | |
| Lift Cylinder | 3 1/2" x 8" ASAE | | |
| Tilt Cylinder | 3 1/2" x 8" ASAE | | |

PHD SERIES
POST HOLE DIGGERS

CONSTRUCTION



Model PHD2403 shown

Whether you need to drill holes for posts, tree plantings, structural support members, or other tasks, Bush Hog® has a post hole digger to meet your needs. Our three 2400 Series models fit both Cat. 1 and Cat. 2 tractors. Augers are offered in both standard and heavy duty versions in sizes from 6 inches to 24 inches depending on digger model. Tough soil penetration is no problem for the powerful Bush Hog® post hole diggers.



PHD2401



PHD2402

- Rugged gearbox construction
- Special alloy pinion gears and tapered roller bearings on both sides of each gear
- Shear pin driveline protection

Augers... the heart of the digger



- Bush Hog® offers both regular duty and heavy duty augers in a variety of sizes, from 6-inch to 24-inch depending on the model
- 2" Round hub connection
- Replaceable drill teeth
- Heavy duty augers are equipped with double flighting for more cutting surfaces and faster, easier digging—especially in heavier soils

SPECIFICATIONS

| Models | PHD2401 | PHD2402 | PHD2403 |
|----------------------|---|---|--|
| Auger Length | 42" RD/48" HD | 42" RD/48" HD | 42" RD/48" HD |
| Auger Diameter | 6 in., 9 in. or 12 in., Reg. Duty and Heavy Duty | 6 in., 9 in. or 12 in. Reg. Duty; 6 in., 9 in., 12 in., 18 in. or 24 in. Heavy Duty | |
| Auger RPM | 180 | 170 | 135 |
| Type Hitch | Cat. I and II | Cat. I and II | Cat. I and II |
| Input RPM | 540 | 540 | 540 |
| Gear Ratio | 3.00:1 | 3.18:1 | 4.00:1 |
| Output Shaft | 2 in. Diameter | 2 in. Diameter | 2 in. Diameter |
| Driveshaft | ASAE Cat. I | ASAE Cat. III | ASAE Cat. III |
| Hitch Yoke | 2- 7/8 in. tubing | 2- 7/8 in. tubing | 3 in. tubing |
| Boom | 2- 7/8 in. tubing | 3- 1/2 in. tubing | 3- 1/2 in. tubing with reinforcing rib |
| Component Protection | Shear bolt | Shear bolt | Shear bolt |
| Options (All Models) | Hydraulic Down Force Kit Parking Stand Auger Extensions | | |

PHD SERIES

HYDRAULIC POST HOLE DIGGERS

CONSTRUCTION



- Planetary Hydraulic drive features a high torque level to power the auger through the most demanding conditions.
- All augers are heavy industrial grade with 3/8" thick flighting. Sized in diameters from 6" to 36" (depending on model), these are excellent for all soil conditions and solid rock.
- The Farm and Ranch PHDHF Series features a selection of mounting brackets for skid steer loaders and front end loaders.
- The Commercial Grade PHDHC Series features mounting brackets for excavators, skid steer loaders, backhoes and front end loaders.
- All mounting brackets have a dual swivel feature that keeps the auger vertical while digging.

| SPECIFICATIONS | | | | | | |
|----------------------------|---|---------------|---------------|--|---------------|---------------|
| Model | PHDHF15 | PHDHF20 | PHDHF30 | PHDHC20 | PHDHC30 | PHDHC35 |
| Drive Type | Planetary With Reversible Motor | | | | | |
| Shaft Output Size | 2" Hex | 2" Hex | 2" Hex | 2" Hex | 2" Hex | 2" Hex |
| Maximum Output Torque* | 1419 FT. LBS. | 1777 FT. LBS. | 2632 FT. LBS. | 2008 ft. lbs | 2937 ft. lbs. | 3582 ft. lbs. |
| Recommended Hyd. Flow | 6 to 15 GPM | 10 TO 20 GPM | 15 TO 30 GPM | 10 to 20 | 15 to 30 | 20 to 35 |
| Max. System Pressure | 3,000 PSI | 3,000 PSI | 3,000 PSI | 3,000 PSI | 3,000 PSI | 3,000 PSI |
| Drive Protection | Hydraulic Relief Valve | | | | | |
| Hydraulic Hoses | 1/2" x 8 ft. with 10 MB ends. | | | | | |
| Type of Mounts | Loader Bucket, Skid Steer Universal, Euro | | | Loader Bucket, Skid Steer Universal, Euro, backhoe | | |
| Max. Auger Diameter (Rock) | N/A | 9" | 12" | 24" | 36" | 36" |
| Max. Auger Diameter (Dirt) | 18" | 30" | 36" | 30" | 36" | 36" |
| Standard Digging Depth | 48" | 48" | 48" | 48" | 48" | 48" |
| Warranty | 2 Years Limited | | | 5 Years Limited | | |

*All values are theoretical. Specifications and models are subject to change without notice.



AVAILABLE AUGER TYPES

Note: Auger tips are available only in black. Shown in yellow for visual effect only.



HRAD*

HSRA*

HSDA**

T-POST**

* Available only for C-Series posthole diggers

** Available for both C & F-Series posthole diggers

75CBH, 85CBH, 95CBH
BACKHOES



BORN TO BE BRUTAL. – Bush Hog®’s brawny new line of backhoes all feature curved booms that provide greater operator visibility, larger range of motion, easier trailering, and superior digging performance. They are designed to deliver years of exceptional performance under tough and continuous working conditions.

Engineered for maximum strength and durability, Bush Hog® backhoes are constructed of high-grade steel that delivers more powerful digging forces while requiring less maintenance. Yet, even though our backhoes are built to be tough at the job site, they are designed to be easy on the operator. From comfortable seating and spacious footrests, fluid movements and smooth operation, you’ll feel the Bush Hog® difference immediately.

So whether you need a large backhoe for heavy farm, construction and field jobs, or a compact unit for landscape or contracting work, you’ll get more value, more features and more performance with Bush Hog.



The 85CBH fits compact and utility tractors from 30 to 75 PTO HP. With its 102" digging depth, the 85C is used for a wide range of jobs! The 85CBH can provide more than 4,100 pounds of bucket digging force and can be mounted on a sub-frame or on 3-Point brackets.

The sleek lines of the 75CBH make it an outstanding match for compact tractors ranging from 25 to 45 PTO HP. With more than 2,800 pounds of bucket digging force and 90" dig depth, the 75CBH is a lot more than just pretty lines! It gets the job done quickly! The 75CBH can be mounted on a sub-frame for quick installation and removal or with 3-Point brackets, adding to its versatility.

- Curved boom backhoes that match the sleek styling and performance of today's tractors.
- Designed for Homeowner, Commercial Contractors, and AG applications with outstanding performance!
- Available in three models with digging depths of 7.5', 8.5', and 9.5'.
- Available in a variety of colors to match your tractor!
- Curved Boom provides greater visibility into the digging area.
- Fewer moves are required for trenching or close-up work!
- Easier to dig over obstructions!
- Heavy-duty cast stabilizer pads and bucket linkages for great durability.
- Better productivity with a Quick-Mount Sub-Frame!

75CBH, 85CBH, 95CBH **BACKHOES**



STABILIZER PADS— Bush Hog® Backhoes feature cast reversible stabilizer pads to fit most applications. Optional Rubber “Street Pads” are available for use on paved or concrete surfaces. “Bigfoot” Dirt Pads are also available for added stability in loose soil conditions.



MECHANICAL THUMB— Bush Hog® 75CBH, 85CBH, 95CBH Backhoes have an optional mechanical thumb. The fixed thumb allows the operator to grasp items between the bucket and the thumb using the hydraulic control of the bucket.

SWING FRAME AND CYLINDERS— Bush Hog® 75CBH, 85CBH, and 95CBH Backhoes use two hydraulically cushioned swing cylinders to provide 180° of swing with plenty of power in both directions!



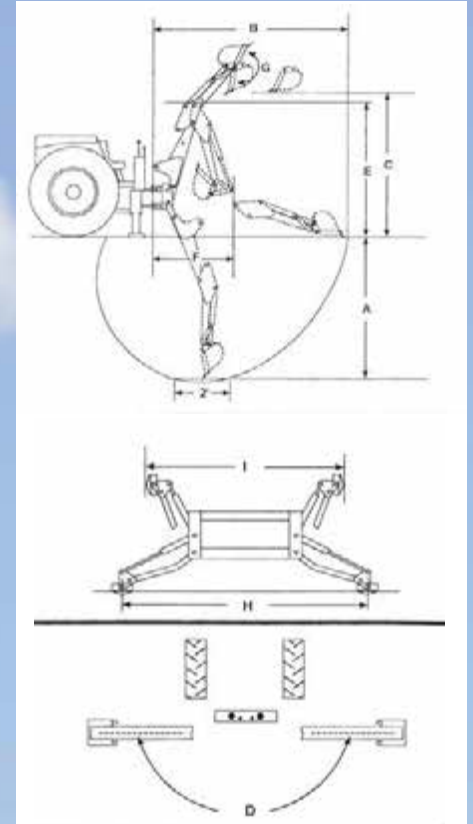
HEAVY DUTY BUCKETS— Every Backhoe Bucket features replaceable teeth for aggressive digging and weld on wear strips for outstanding wear protection and strength. Buckets for the three models are available in 9”, 12”, 16”, 18”, 24” and 36” widths. Buckets are interchangeable on all three models.



BACKHOE SPECIFICATIONS

| MODELS | 75CBH | 85CBH | 95CBH |
|----------------------------------|----------|----------|----------|
| Tractor PTO HP | 25-45 | 30-75 | 40-90 |
| Digging Depth 2' Flat Bottom (A) | 90" | 102" | 114" |
| Max Reach to Bucket Tooth (B) | 117.6" | 135.1" | 148.0" |
| Loading Height (C) | 69.9" | 80.0" | 91.0" |
| Swing Arc (D) | 180° | 180° | 180° |
| Transport Height (E) | 77.3" | 86.1" | 95.6" |
| Transport Overhang (F) | 45.4" | 51.6" | 55.4" |
| Bucket Rotation (G) | 180° | 180° | 180° |
| Stabilizer Down (H) | 90" | 90" | 90" |
| Stabilizer Up (I) | 53.75" | 53.75" | 53.75" |
| Digging Force—Bucket | 2827 lbs | 4156 lbs | 4159 lbs |
| Digging Force—Dipper | 2022 lbs | 2183 lbs | 2667 lbs |
| System Pressure | 2150 PSI | 2500 PSI | 2500 PSI |
| Shipping Weight (Less Bucket) | 1014 lbs | 1036 lbs | 1100 lbs |
| Flow, Hydraulic, GPM | 5-6 GPM | 5-6 GPM | 7-9 GPM |

| OPTIONS & EXTRA EQUIPMENT | | | |
|---|---|---|---|
| 9", 12", 16", 18", 24", 36" Heavy Duty Bucket | X | X | X |
| PTO Pump & Reservoir | X | X | X |
| Bigfoot Dirt Pads (12 in2) | X | X | X |
| Rubber Street Pads | X | X | X |
| Mechanical Thumb | X | X | X |



Bush Hog® guarantees each piece of Bush Hog® equipment against defective materials and workmanship for a period of one year from the date of delivery to the purchaser unless otherwise specified.

Bush Hog® reserves the right to make changes and/or improvements to product design and construction of parts or machines shown herein without notice or obligation.



The **95CBH** Backhoe is designed for tractors from 40 to 90 PTO HP, and can be mounted on a sub-frame or 3-Point brackets. The 95C has a 2' Flat Bottom digging depth of 114", allowing it to fill the needs of a wide range of backhoe applications. With a bucket digging force of over 4,100 pounds, this is the Bush Hog® backhoe you need to blast through the biggest jobs!

PW SERIES
PRESSURE WASHERS

CONSTRUCTION



Clean up! Bush Hog®'s new PW-series line of pressure washers is the ideal choice for making your cleaning jobs a cinch. Equipped with commercial grade Honda engines, top-of-the-line CAT pumps comprised of solid ceramic plungers and high pressure seals, five quick connect spray tips, and a 25' high pressure rubber hose, these units are the perfect option for cleaning jobs at home or on location. The PW models also come mounted on a durable welded steel frame. From top to bottom, the PW series pressure washers are built Bush Hog® tough for years of reliable service!



5 Quick-Connect Spray Tips



Honda GX Engine



CAT Pump

- CAT Pump with Solid Ceramic Plungers and High Pressure Seals
- Commercial-Grade Honda GX Engine
- Durable Steel Construction
- Heavy Duty Cart with Polymer Powder Coat
- 3-Year Limited Warranty

PRESSURE WASHER SPECIFICATIONS

| MODEL | PW 2750 | PW 3200 | PW 4000 |
|-----------------------------|----------------------|----------------------|----------------------|
| PSI | 2750 | 3200 | 4000 |
| GPM | 2.5 | 3.0 | 3.5 |
| Engine | Honda GX160 | Honda GX270 | Honda GX390 |
| Pump | CAT 4DNX | CAT 4SPX | CAT 67DX |
| Hose (High Pressure Rubber) | 25' | 50' | |
| Dimensions (Assembled) | 22"L x 34"D x 30.5"H | 22"L x 34"D x 30.5"H | 22"L x 34"D x 30.5"H |
| Weight | 94 lbs. | 133 lbs. | 155 lbs. |

GA & GAW SERIES

GAS COMBINATION UNITS

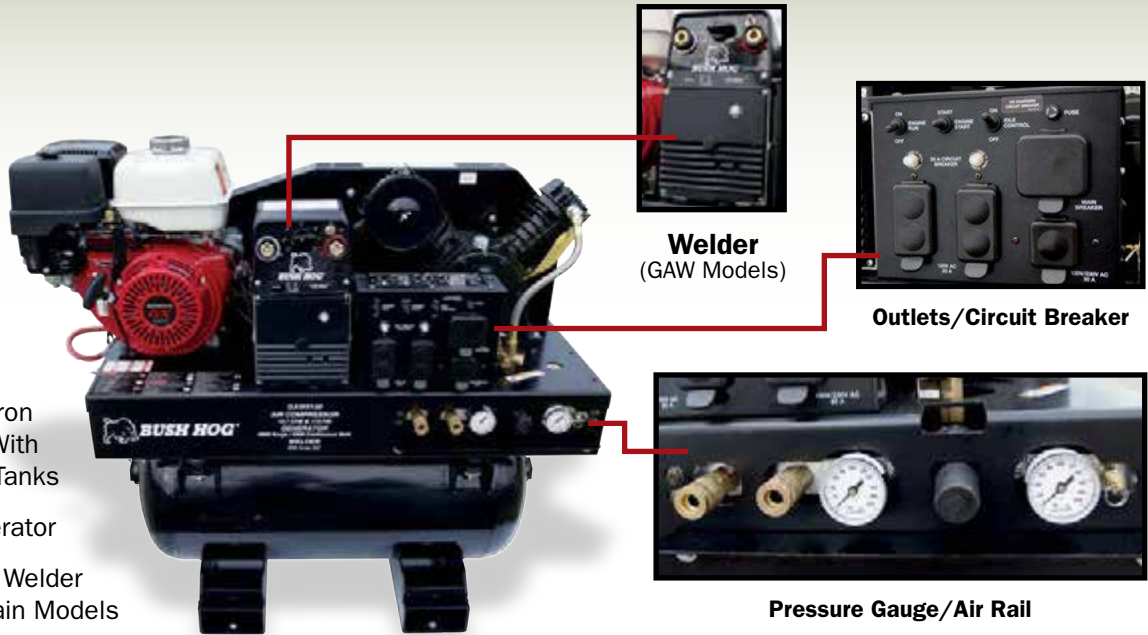
GENERATOR, AIR COMPRESSOR AND WELDER (CERTAIN MODELS)

CONSTRUCTION



Bush Hog® recognizes how important it is to have the right tools to repair and maintain your high quality equipment to ensure it stays in good working condition. Bush Hog's GA and GAW-series units offer the convenience of multiple machines in a single compact platform. Powered by a high end Honda GX series engine, the GA and GAW units come with a 5,000 max watt generator in combination with a two-stage air compressor. The GAW-series models add the functionality of a 200A arc (stick) welder. These combination units are ideal for use in commercial or industrial applications or on the farm. When dependability and productivity matter, let the Bush Hog® GA and GAW combination units help you keep working.

- Two-Stage Cast Iron Air Compressor With Up to 30 Gallon Tanks
- 5,000 Watt Generator
- 50–200 Amp DC Welder Available in Certain Models



GAS COMBINATION UNIT SPECIFICATIONS

| MODEL | GA 2110 | GA 2130 | GAW 3110 | GAW 3130 |
|---------------------------|---|-----------|-------------------------------------|-----------|
| Components | Generator / Air Compressor | | Generator / Air Compressor / Welder | |
| Weight (Assembled) | 450 lbs. | 506 lbs. | 485 lbs. | 554 lbs. |
| Length | 49" | 49" | 49" | 49" |
| Width | 23" | 23" | 23" | 23" |
| Height | 28.5" | 42" | 28.5" | 42" |
| Engine | Honda GX390, Single Cylinder, Electric Start, Auto-Idle Throttle, Gas, 6.4-quart Tank | | | |
| GENERATOR | | | | |
| Output (AC) | 120V / 240V | | | |
| Type | Brushless | | Brushed | |
| Watts | 6000 Surge/5000 Continuous | | | |
| Outlets | (2) 120V 20 Amp Duplex Outlets / (1) 120/240V 30 Amp Twistlock | | | |
| AIR COMPRESSOR | | | | |
| Type | Reciprocating 2-Stage | | | |
| CFM | 14.3 @ 90 PSI / 13.7 @ 175 PSI | | | |
| Air Tank | 10-gallon (twin 5-gallon) | 30-gallon | 10-gallon (twin 5-gallon) | 30-gallon |
| Air Rail | 3/8" NPT - High Flow | | | |
| WELDER | | | | |
| Amps | Not Applicable | | 50-200 Amp DC | |
| Duty Cycle | | | 100%@150A / 65%@180A | |
| Material Thickness | | | 16 Gauge to 1/2" Steel | |
| Notes | 12V Power Source for Starting Not Included | | | |
| | Welding Cables Not Included | | | |

SS, HS & HC SERIES
SKID STEER BUCKETS

CONSTRUCTION



Bush Hog® offers a wide range of skid steer buckets to meet all of your material handling needs. Built Bush Hog® tough to give dependable service day after day, these skid steer buckets are ideal for construction, landscape, and general farm use. From moving dirt to spreading gravel to hauling manure, choose a model that matches your work and **get the job done.**

SSBLS (Skid Steer Bucket, Low Profile, Short Bottom)

- Solid tube design adds heavy duty strength
- Heavy duty quick attach plate
- Available with or without heavy duty weld-on teeth
- 3/4-inch x 6-inch cutting edge

The SSBLS-model has a short bottom that adds to the cutting edge breakout force needed for those tough jobs. The SSBLS is designed as a heavy duty general purpose bucket.

SSBLL (Skid Steer Bucket, Low Profile, Long Bottom)

- Available with or without weld-on teeth
- 3/4-inch x 6-inch cutting edge
- Low profile long bottom design results in maximum visibility

The SSBLL model combines **heavy duty** features with good visibility from the operator's seat. Strength and visibility features of the SSBLL make it the preferred choice of professionals for their rubber tired machines.





HSSBLL (Heavy Duty Skid Steer Bucket, Low Profile, Long Bottom)

- Available with or without bolt-on teeth
- Reinforced one piece quick attach plate
- 1/2-inch side gussets
- 1-inch x 8-inch high carbon cutting edge

The HSSBLL-model was designed for high horse power track machines. It has the heavy duty features that allow it to withstand the forces generated by modern Skid Steer track machines, with the same low profile long bottom feature as the SSBLL-model allowing for good visibility.

HCSSB (High Capacity, Heavy Duty, Skid Steer Bucket)

- Heaviest Skid Steer bucket
- Available with or without heavy duty bolt-on teeth
- High capacity
- 1-inch x 8-inch cutting edge and 3/4-inch x 6-inch side cutting edge

The high capacity HCSSB-model has all of the heavy duty features of the HSSBLL. Its reinforced high capacity design will provide years of service with today's largest Skid Steer machines.



Bush Hog® Skid Steer buckets are built **Bush Hog® tough** and will give dependable service day after day. Choose a model that matches your work and desired width. See back page for a list of specifications.



HCSSLB (High Capacity Skid Steer Litter Bucket)

- Designed to carry high volumes of material
- 3/4-inch x 6-inch bucket edge
- The Quick Attach has heavy designed plates.
- Max 80 HP for rubber track machines
- Max 100 HP for rubber tire machines

The HCSSLB Litter bucket is designed for high volumes, easy fill and easy clean out. Excellent for use with litter, silage and bulk material.

SKID STEER BUCKET SPECIFICATIONS

| Models | SSBLS | SSBLL | HSSBLL | HCSSB | HCSSLB |
|---------------------------------|-----------------------------|------------------------------|------------------------------|------------------------------|---------------------------|
| Overall Depth | 28" | 39 1/4" | 39 1/4" | 37 5/8" | 45 11/16" |
| Overall Height | 20 1/2" | 20" | 20" | 25 7/8" | 26 5/8" |
| Overall Width | 5, 5 1/2, 6, 6 1/2 & 7' | 5, 5 1/2, 6, 6 1/2 & 7' | 6, 6 1/2, 7 & 8 1/2' | 6, 6 1/2, 6 3/4 & 7 1/2' | 6, 6 1/2, 7, 8 & 9' |
| Useable Depth | 22 1/2" | 33 3/4" | 33 3/4" | 31 5/8" | 40 3/8" |
| Useable Height | 19 1/2" | 19 1/16" | 19 1/16" | 23 7/8" | 25 1/16" |
| Useable Width | 59" (5') | 59" (5') | 71" (6') | 69 1/2" (6') | 71" (6') |
| | 65" (5 1/2') | 65" (5 1/2') | 77" (6 1/2') | 73 1/2" (6 1/2') | 77" (6 1/2') |
| | 71" (6') | 71" (6') | 83" (7') | 78 5/8" (6 3/4') | 83" (7') |
| | 77" (6 1/2') | 77" (6 1/2') | 101" (8 1/2') | 86 5/8" (7 1/2') | 95" (8') |
| Roll Back Angle | 20° | 20° | 20° | 20° | 20° |
| Volume (Not Heaped) | 8.2 ¹³ (5') | 12.25 ¹³ (5') | 15.25 ¹³ (6') | 18.75 ¹³ (6') | 25.75 ¹³ (6') |
| | 9 ¹³ (5 1/2') | 14.00 ¹³ (5 1/2') | 16.50 ¹³ (6 1/2') | 19.75 ¹³ (6 1/2') | 28 ¹³ (6 1/2') |
| | 9.8 ¹³ (6') | 15.25 ¹³ (6') | 17.75 ¹³ (7') | 21 ¹³ (6 3/4') | 30 ¹³ (7') |
| | 10.6 ¹³ (6 1/2') | 16.50 ¹³ (6 1/2') | 24.5 ¹³ (8 1/2') | 23 ¹³ (7 1/2') | 34.32 ¹³ (8') |
| | 11.4 ¹³ (7') | 17.75 ¹³ (7') | | | 38.61 ¹³ (9') |
| Weight (With Teeth/No Teeth) | 484/434 (5') | 545/507 (5') | 743/686 (6') | 775/720 (6') | 662 (6') |
| | 499/449 (5 1/2') | 576/527 (5 1/2') | 771/716 (6 1/2') | 811/755 (6 1/2') | 679 (6 1/2') |
| | 543/493 (6') | 604/548 (6') | 811/748 (7') | 830/775 (6 3/4') | 742 (7') |
| | 575/518 (6 1/2') | 650/600 (6 1/2') | 960/884 (8 1/2') | 900/870 (7 1/2') | 800 (8') |
| | 601/537 (7') | 701/625 (7') | | | 895 (9') |
| Number of Teeth | 7 (5') | 7 (5') | 8 (6') | 8 (6') | N/A |
| | 7 (5 1/2') | 7 (5 1/2') | 8 (6 1/2') | 8 (6 1/2') | |
| | 8 (6') | 8 (6') | 9 (7') | 9 (6 3/4') | |
| | 8 (6 1/2') | 8 (6 1/2') | 9 (8 1/2') | 9 (7 1/2') | |
| | 9 (7') | 9 (7') | | | |
| Cutting Edge | 3/4" x 6" | 3/4" x 6" | 1" x 8" | 1" x 8" | 3/4" x 6" |
| Horse power (Rubber Tire/Track) | 100 HP/80HP | 100 HP/80HP | 120 HP/100 HP | 120 HP/100 HP | 100 HP/80HP |
| Paint options | BL | BL | BL | BL | BL |

R & R* = Reversible and Replaceable
 Powder coat paint options BL = BLACK

AG, BGR & BRGR SERIES **GRAPPLES**



Bush Hog's® AG, BGR, and BRGR-series grapples are built tough and help you make quick work of larger jobs. The AG and BGR grapples use an open bottom design to move brush and debris, rake, and dig without picking up dirt. The BRGR-series provides the operator with the grasp and hold abilities of a grapple, along with the storage capacity of a conventional bucket. Each model is designed to mount onto a universal skid steer mount. Let Bush Hog's® grapples help you get a grip on your work.



Brush Grapple Series (BRGR)

- Constructed of 1/2-inch top quality steel
- 3/8-inch solid quick attach plate
- 9-inch aggressive teeth
- Protected cylinders and hoses
- Extra wide opening for large capacity work
- Independent grapple arms for uneven loads
- Max. 100 HP for rubber tire machines
- Max. 80 HP for rubber track machines
- Fits all skid steers and tractors using the universal skid steer quick attach system

BRUSH GRAPPLE SPECIFICATIONS

| Model Number | BRGR72 | BRGR84 |
|----------------------|-----------------------------------|------------|
| Overall Depth | 37 1/2" | 37 1/2" |
| Overall Height | 25 1/2" | 25 1/2" |
| Overall Width | 6' | 7' |
| Useable Depth | 28" | 28" |
| Usable Open Height | 46 1/2" | 46 1/2" |
| Usable Width | 71" | 83" |
| (in side end plates) | | |
| Roll Back Angle | 13 degrees | 13 degrees |
| Weight | 702 lbs. | 787 lbs. |
| Number of Teeth | 8 | 10 |
| Attachment Method | Universal Skid Steer Quick Attach | |
| Paint Color | Black | Black |

AG, BGR & BRGR SERIES **GRAPPLES**



Bucket Grapple Series (BGR)

- Constructed of 1/2-inch top quality steel
- 3/8-inch solid quick attach plate
- Protected cylinders and hoses
- Wide opening for large capacity work
- Independent grapple arm
- Solid bottom for materials
- Max. 100 HP for rubber tire machines
- Max. 80 HP for rubber track machines
- Fits all skid steers and tractors using the universal skid steer quick attach system

BUCKET GRAPPLE SPECIFICATIONS

| | with teeth | | without teeth | |
|-----------------------------|-----------------------------------|------------|---------------|------------|
| Model Number | BGR72T | BGR84T | BGR72 | BGR84 |
| Overall Depth | 39 1/4" | 39 1/4" | 39 1/4" | 39 1/4" |
| Overall Height | 24" | 24" | 24" | 24" |
| Overall Width | 6' | 7' | 6' | 7' |
| Useable Depth | 33 3/4" | 33 3/4" | 33 3/4" | 33 3/4" |
| Usable Open Height | 45 1/2" | 45 1/2" | 45 1/2" | 45 1/2" |
| Usable Width | 71" | 83" | 71" | 83" |
| (in side end plates) | | | | |
| Roll Back Angle | 20 degrees | 20 degrees | 20 degrees | 20 degrees |
| Weight | 907 lbs. | 993 lbs. | 827 lbs. | 903 lbs. |
| Number of Teeth | 8 | 9 | | |
| Attachment Method | Universal Skid Steer Quick Attach | | | |
| Paint Color | Black | Black | Black | Black |



Ag Grapple Series (AG)

- Replaceable 5/8" plow points
- 27" opening
- Not for skid steer use
- Light weight and rugged design for today's compact tractors with a maximum of 40 h.p.
- Compatible with Skid Steer, John Deere, and Euro Quick Attach Systems

AG GRAPPLE SPECIFICATIONS

| Model Number | AGR60 | AGR72 |
|----------------------|--|-------------|
| Overall Depth | 25", closed | 25", closed |
| Overall Height | 37 3/4" | 37 3/4" |
| Overall Width | 5 FT. | 6 FT. |
| Useable Depth | N/A | N/A |
| Usable Open Height | 31" | 31" |
| Usable Width | 5 FT. | 6 FT. |
| (in side end plates) | | |
| Roll Back Angle | N/A | N/A |
| Weight | 372 lbs | 409 lbs |
| Number of Teeth | 5 | 5 |
| Attachment Method | Universal Skid Steer Quick Attach, Euro or John Deere | |
| Maximum Tractor h.p. | 40 | |

Paint Color R,G,O,B, BL, or Y R,G,O,B, BL, or Y

R=Red, G= green, O= orange, B= blue, BL = black, Y = yellow

PF SERIES **PALLET FORKS**

CONSTRUCTION



The PF series pallet forks can be used in a variety of applications, from around the farm to nurseries to construction sites, the PF series forks will save you time and money. Quickly and conveniently convert your tractor mounted or skid steer loader with a universal skid steer frame into a material handler and expand the utilization of existing machines. With a lift capacity of 4,000 pounds, the PF series pallet forks will handle the lifting for you.



PALLET FORK SPECIFICATIONS

| | |
|------------------------------|--|
| Overall Height | 41 3/8" |
| Overall Width | 45 5/16" |
| Overall Depth | 60 3/8" |
| Fork Size | 1 1/2" X 4" |
| Fork Length | 48" |
| Fork Adjustable Width | Up to 44 3/8" Increments of 4" |
| Weight | 308 lbs. |
| Max. Capacity | 4,000 lbs. |
| Attachment Method | Universal Skid Steer Quick Attach, Euro or John Deere |
| Color | Black |

PF MODEL

- 48" Fork length
- 4,000 lbs. Capacity
- 1 1/2" x 4" fork size
- Forks adjustable in 4" increments
- Step plate for easy access to cockpit of skid steer
- Models are compatible with Skid Steer, John Deere and Euro Quick Attach Systems

CRB, CBX, RTC, CRG, CLR SERIES

COMPACT IMPLEMENTS

REAR BLADES, BOX BLADES, TILLERS, ROAD GRADER, LANDSCAPE RAKES



Big performance for small tractors.

Bush Hog®'s compact tools are designed to do big things with small tractors up to 24 HP. All feature Bush Hog®'s legendary rugged construction and performance features that'll help you get the job done not just today or tomorrow, but for many years to come.

Compact Rear Blades

Available in major tractor colors!

| MODELS | CRB48 | CRB60 | CRB72 |
|--------------------------------|-----------------------------|-----------------------------|-----------------------------|
| Moldboard Widths | 48 inches | 60 inches | 72 inches |
| Approximate Weight | 136 lbs | 150 lbs | 164 lbs |
| Maximum Tractor HP | 24 PTO | 24 PTO | 24 PTO |
| Type Hitch | ASAE Cat. I/QH | ASAE Cat. I/QH | ASAE Cat. I/QH |
| Moldboard Height and Thickness | 12 inches x 1/4 inches | 12 inches x 1/4 inches | 12 inches x 1/4 inches |
| Moldboard Cutting Edge | 3/8 x 3 inches | 3/8 x 3 inches | 3/8 x 3 inches |
| King Pin Diameter | 1 1/4 inches | 1 1/4 inches | 1 1/4 inches |
| Angle Adjustment | 15° & 30° Forward & Reverse | 15° & 30° Forward & Reverse | 15° & 30° Forward & Reverse |
| Warranty | 1-year limited warranty | | |

Compact Box Blades

Compact Road Grader

| MODELS | CBX48 | CBX60 |
|---------------------------|---------------------------|---------------------------|
| Working Width | 48 inches | 60 inches |
| Box Depth | 12 inches | 12 inches |
| Side End Plate Thickness | 3/16 inches | 3/16 inches |
| Scarifier Size | 5/8 inches x 2 1/2 inches | 5/8 inches x 2 1/2 inches |
| Number of Scarifier Teeth | 4 teeth | 5 teeth |
| Type Hitch | ASAE Cat. I/QH | ASAE Cat. I/QH |
| Cutting Edge | Reversible | Reversible |
| Number of Cutting Edges | 2 Blades, Bolt on | 2 Blades, Bolt on |
| | Reversible Cutting Edge | Reversible Cutting Edge |
| Maximum Tractor HP | 24 PTO | 24 PTO |
| Approximate Weight | 248 lbs | 258 lbs |
| Warranty | 1-year limited warranty | |

| MODEL | CRG48 |
|--------------------------------|---|
| Hitch | 238 lbs |
| Max. Tractor HP (PTO), 2WD/FWA | 24/20 |
| Working Width | 48" |
| Weight (lbs.) | 238 |
| Side Panel Thickness | 3/16" |
| Front Main Beam Construction | 3" x 3" x 3/16" |
| Rear Beam Construction | 2" x 2" x 11g |
| Skid Shoe Construction | 1/4" x 2" x 38 1/8", Replaceable |
| Scarifier Shanks | N/A |
| Cutting Edges | Two 3/8" x 6" bolt-on, replaceable and reversible heat-treated blades |
| Warranty | 1-year limited warranty |

Compact Tillers

Compact Landscape Rakes

| MODELS | RTC50G |
|-----------------------------|-------------------------|
| Total Width | 53 inches |
| Working Width | 48 inches |
| Number of Blades | 6 blades per flange |
| Minimum Tractor HP | 15 PTO |
| Type Hitch | ASAE Cat. I / QH |
| Offset | Center Mount |
| Number of Flanges | 5 |
| Rotor Speed | 253 RPM/540 PTO |
| Type of Blades | C-type |
| Power to Rotor Transmission | Gear Drive |
| Depth of Cut | 6 inches |
| Driveline | Slip Clutch Standard |
| Approximate Weight | 374 lbs |
| Warranty | 1-year limited warranty |

| MODELS | CLR48 | CLR60 |
|--------------------|-------------------------|------------------|
| Working Width | 48 inches | 60 inches |
| Type Hitch | ASAE Cat. I / QH | ASAE Cat. I / QH |
| Maximum Tractor HP | 24 PTO | 24 PTO |
| Approximate Weight | 126 lbs | 143 lbs |
| Rake Pivot | 18° and 36° | 18° and 36° |
| Pivot King Pin | 1 1/4 inches | 1 1/4 inches |
| Tine Spacings | 1 inch | 1 inch |
| Tine Size | 1 inch | 1 inch |
| Warranty | 1-year limited warranty | |

REAR MOUNTED BLADES

4' TO 14' RUGGED BLADES



We can help you out of a tough scrape!

If you need a tool for landscaping, snow removal, feed lot work, ditching, terracing, dam building, road reconditioning, or general farm maintenance, a Bush Hog® Rear Mounted Blade is always the answer. Bush Hog® offers models ranging from light duty to heavy duty in a variety of widths, all engineered and built to provide years of service under demanding conditions at a very reasonable price. So if you find yourself facing a tough scrape, turn to Bush Hog® for performance you can count on!

Whether you're a homeowner, farmer, landscaper, or contractor, Bush Hog® has a blade for every job and every level of duty.

COMPACT REAR BLADE (CRB)

Bush Hog's compact rear blades are the ideal choice for light duty landscaping, driveway maintenance, or snow removal. These light duty blades are rated for use on two-wheel drive tractors up to 24 PTO horsepower and four-wheel drive tractors up to 15 PTO horsepower. The moldboard may be reversed for backfilling and angled left or right for use in a wide variety of applications. Tilting of the blade is achieved by adjustment of the tractor's 3-point hitch arms.



Available in 4, 5, and 6-foot operating widths.

35 SERIES BLADE

Whether you are a budget-minded landscape contractor considering a blade for your jobsite, or a homeowner interested in landscaping or snow removal, the 35 Series has what you're looking for. These utility blades are rated for use on two-wheel drive tractors up to 35 PTO horsepower and four-wheel drive tractors up to 30 PTO horsepower and feature tilt, angle, and offset adjustments in both forward and reverse positions.



Available in 4, 5, 6, and 7-foot operating widths.

50 SERIES BLADE

Ideal for jobsites, landscaping, and homeowners, the 50 Series is the preferred choice for those who need a 50 PTO horsepower rated blade with the features and capabilities of a much heavier unit. Rated for a maximum of 50 HP 2WD or 40 HP 4WD, the 50 Series blades feature tilt, angle, and offset adjustments in both forward and reverse positions.



Available in 6 and 7-foot operating widths.

70 SERIES BLADE

The medium-duty 70 Series Blades are designed for landscaping, road maintenance, and snow removal. These blades feature a heavy duty mainframe and high-strength, reinforced moldboards to ensure years of trouble-free performance. The 70 Series Blades are rated for use on two-wheel drive tractors up to 70 PTO horsepower and four-wheel drive tractors up to 55 PTO horsepower. These blades feature tilt, angle and offset adjustments in both forward and reverse positions.



Available in 6, 7, and 8-foot operating widths.

REAR MOUNTED BLADES

4' TO 14' RUGGED BLADES

91 SERIES BLADE

The rugged construction of the 91 Series Rear Blades make them ideal for a wide variety of applications, ranging from general roadmaintenance to ditching and terracing jobs.

These blades are recommended for use on two-wheel drive tractors up to 90 PTO horsepower and four-wheel drive tractors up to 70 PTO horsepower.

The 91 Series blades feature a number of tilt, angle, and offset adjustments in both the forward and reverse positions for the versatility to handle a variety of tough jobs.



Available in 7 and 8-foot operating widths.

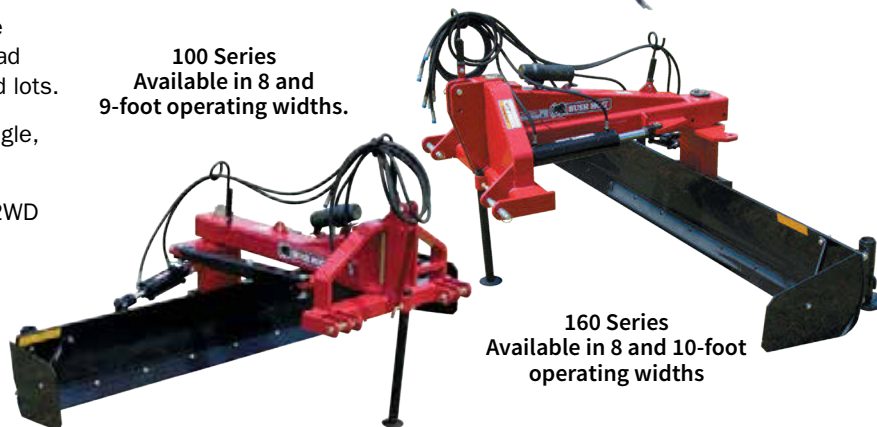
100 & 160 SERIES BLADES

The 100 and 160 Series Rear Blades are the ideal choice for heavy-duty grading chores around the farm such as road construction, terracing, dam building, and cleaningout feed lots.

These blades offer a choice of manual or hydraulic tilt, angle, and offset adjustments. Moldboard can be reversed

for backfilling. They are rated for use on a wide range of 2WD and 4WD tractors, depending on blade width.

With their heavy-duty construction, the 100 & 160 Series Blades are engineered and built to meet the most demanding conditions.



100 Series
Available in 8 and 9-foot operating widths.

160 Series
Available in 8 and 10-foot operating widths

141 & 181 SERIES BLADES

Let Bush Hog®'s new 141 and 181-Series Blades give you the strength and durability to pave a new way. Perfect for road building and maintenance, snow removal, terracing, backfilling, and grading, these blades can handle any scrape. These new series of rear mounted blades are available in sizes ranging from 7-feet all the way up to 10-feet and recommended for tractors from 110 HP up to 180 HP. Standard features include 3-point ASAE Category II and Category III hitches with Quick Hitch compatibility, 4-inch King Pin, 1/2-inch x 6-inch cutting edges, and a 19-inch moldboard height. These blades also feature manual or hydraulic offset, angle, and tilt adjustments. Other available options include heavy duty skid shoes, as well as, heavily constructed end plates.



225 & 300 SERIES BLADES

The heavy-duty design and construction of the 225 and 300 Series make them ideal for the most rugged road maintenance and grading jobs. The precision-formed moldboards are reinforced to withstand the most demanding conditions and can be reversed for backfilling. These top-of-the-line blades are rated for use on higher horsepower tractors and feature standard all-hydraulic controls for ease of operation. The 225 and 300 Series are ready for heavy-duty action and give you the ability and confidence to tackle the toughest jobs.



225 Series
Available in 8, 10 and 12-foot operating widths.

300 Series (not shown).
Available in 12 and 14-foot operating widths.

REAR BLADE SPECIFICATIONS

| SERIES | CRB | 35 | 50 | 70 | 91 | 100 | 141 | 160 | 181 | 225 | 300 | |
|---------------------------------------|--|--|--|--|---|--|--|---|---|---|--|--|
| Moldboard Width | 4, 5, and 6-foot | 4, 5, 6, and 7-foot | 6 and 7-foot | 6, 7, and 8-foot | 7 and 8-foot | 8 and 9-foot | | 8 and 10-foot | | 8, 10, and 12-foot | 12 and 14-foot | |
| Moldboard Height and Thickness | 12 x 1/4-inch | 14.5 x 1/4-inch | 15 7/8 x 1/4-inch | 18 x 5/16-inch | 16 x 3/8-inch | 17 x 3/8-inch | 19-Inches | 18 x 1/2-inch | 19-Inches | 20 x 1/2-inch | 20 x 1/2-inch | |
| Moldboard Cutting Edge | 3/8 x 3-inches | 1/2 x 3-inches Reversible | 1/2 x 6-inches Reversible | 1/2 x 6-inches Reversible | 1/2 x 6-inches Reversible | 1/2 x 6-inches | 1/2 x 6-inches | 1/2 x 6-inches | 1/2 x 6-inches | 1/2 x 6-inches | 1/2 x 6-inches | |
| Hitch | 3-Pt. Cat. I Cat. I Quick Hitch | 3-Pt. Cat. I Cat. I Quick Hitch | 3-Pt. Cat. I, Cat. I Quick Hitch | 3-Pt. Cat. I & II, Quick Hitch | 3-Pt. Cat. I & II, Quick Hitch | 3-Pt. Cat. I & II, Cat II Quick Hitch | 3-Pt. Cat. II, III & Quick Hitch | 3-Pt. Cat. I & II, Quick Hitch | 3-Pt. Cat. II, III & Quick Hitch | 3-Pt. Cat. II & III, Quick Hitch | 3-Pt. Cat. III & IV, Quick Hitch | |
| Approximate Weight | 136-lbs. (4-ft.) 150-lbs. (5-ft.) 164-lbs. (6-ft.) | 250-lbs. (4-ft.) 280-lbs. (5-ft.) 290-lbs. (6-ft.) 325-lbs. (7-ft.) | 403-lbs. (6-ft.) 430-lbs. (7-ft.) | 510-lbs. (6-ft.) 538-lbs. (7-ft.) 572-lbs. (8-ft.) | 703-lbs. (7-ft.) 740-lbs. (8-ft.) | 942-lbs. (8-ft.) 975-lbs. (9-ft.) | | 1409-lbs. (8-ft.) 1529-lbs. (10-ft.) | 2120-lbs. (8-ft.) 2260-lbs. (10-ft.) 2400-lbs. (12-ft.) | | | 3463-lbs. (12-ft.) 3603-lbs. (14-ft.) |
| Max. Tractor HP (PTO) | | | | | | | | | | | | |
| 2-Wheel Drive | 24 | 35 | 50 | 70 | 90 | 8-foot: 125 9-foot: 95 | 141 | 8-foot: 190 10-foot: 160 | 180 | 8-foot: 250, 10-foot: 225 12-foot: 160 | N/A | |
| Front Wheel Assist | 15 | 30 | 40 | 55 | 70 | 8-foot: 105 9-foot: 80 | 110 | 8-foot: 160 10-foot: 135 | 140 | 8-foot: 225 10-foot: 200 12-foot: 160 | 12-foot: 300 DBHP 14-foot: 250 DBHP | |
| King Pin Diameter | 1 1/4-inch Grade 8 | 1 1/4-inch Grade 8 | 1 1/4-inch Grade 8 | 1 1/4-inch Grade 8 | 3-inches | 3-inches | 4-inches | 4-inches | 4-inches | 4 1/2-inches | 5-inches | |
| Tilt Adjustment | 3-Pt. Hitch | 15° up or down | 15° up or down | 30° up or down | 15° up or down (manual or hydraulic) | 15° up or down (manual or hydraulic) | 15° up or down (manual or hydraulic) | 15° up or down (manual or hydraulic) | 15° up or down (manual or hydraulic) | 15° up or down (manual or hydraulic) | 15° up or down (hydraulic) | |
| Offset Adjustment | None | 12-inches left or right (manual) | 23-inches left or right (manual) | 18-inches left or right (manual or hyd.) | 30-inches left or right (manual or hyd.) | 30-inches left or right (manual or hyd.) | 37-inches left or right (manual or hyd.) | 37-inches left or right (manual or hyd.) | 37-inches left or right (manual or hyd.) | 46-inches left or right (hydraulic) | 50-inches left or right (hydraulic) | |
| Angle Adjustment | 5 forward positions up to 30°, 3 reverse positions up to 15° | 5 forward positions up to 30°, 3 reverse positions up to 15° | 5 forward positions up to 30°, 3 reverse positions up to 15° | 5 forward positions up to 45°, 5 reverse positions up to 15° | 45° left or right in forward position, 20° left or right in rev. position (manual or hydraulic) | 45° left or right in forward and reverse position, 20° reverse position or hydraulic | 45° left or right (manual or hydraulic) | 45° left or right (in forward and reverse position, manual or hyd.) | 45° left or right (manual or hydraulic) | 45° left or right (in forward and reverse position, manual or hyd.) | 45° left or right (in forward and reverse position, manual or hydraulic) | |
| Skid Shoes | N/A | N/A | N/A | N/A | Optional | Optional | Optional | Optional | Optional | Optional | Optional | |
| End Plates | N/A | N/A | N/A | N/A | N/A | Optional | Optional | Optional | Optional | Optional | Optional | |
| Parking Stand | N/A | N/A | Standard | Standard | Standard | Standard | Standard | Standard | Standard | Standard | Standard | |
| Hydraulics | N/A | N/A | N/A | N/A | Optional | Optional | Optional | Optional | Optional | Standard | Standard | |

All Specifications subject to change without notice. Note: 225 and 300 Series blades not warranted for use on track-type tractors.

BBX SERIES
BOX BLADES



More tools to handle the landscaping chores of homeowners and compact tractor owners...

Bush Hog® now offers a light-duty, full-size box blade line, along with a series of compact road graders that expand the work capabilities of your small, compact and subcompact tractors. Bush Hog® is committed to providing you more reasons to get out of the house and go to work. The dirt around your house or workplace better look out... things are going to be moving!



LIGHT-DUTY BOX BLADE SPECIFICATIONS

| Models | BBX48 | BBX60 | BBX65 | BBX72 |
|---------------------------|---|----------------------------------|----------------------------------|----------------------------------|
| Working Width | 48" | 60" | 65" | 72" |
| Moldboard Height | 15 ⁵ / ₈ " | 15 ⁵ / ₈ " | 15 ⁵ / ₈ " | 15 ⁵ / ₈ " |
| Box Depth | 22" | 22" | 22" | 22" |
| Overall Depth | 27" | 27" | 27" | 27" |
| Overall Height | 33" | 33" | 33" | 33" |
| Overall Width | 49" | 61" | 67" | 73" |
| Side Sheet Thickness | ¹ / ₄ " | ¹ / ₄ " | ¹ / ₄ " | ¹ / ₄ " |
| Scarifier Size | ⁵ / ₈ " x 2 ¹ / ₂ " | | | |
| Number of Scarifier Teeth | 4 | 5 | 5 | 6 |
| Hitch | Cat. 1 Std. and QH | | | |
| Lower Hitch | Single lug | | | |
| Cutting Edge (Reversible) | ³ / ₈ " x 6" | | | |
| Number of Blades | 2 | 2 | 2 | 2 |
| Max. HP Requirement 2 WD | 40 | | | |
| Max. HP Requirement 4 WD | 30 | | | |
| A-Frame | Bolt-on | | | |
| Scarifier Box | 4" x 4" x ¹ / ₄ " | | | |
| Weight (pounds) | 260 | 325 | 375 | 390 |

SBX & MBX SERIES **BOX BLADES**



LANDSCAPE

Quality-Built Tools for Rugged Landscaping Chores

Bush Hog® landscape tools are built tough to handle tough jobs. Whether you're a farmer, rancher, professional landscaper or construction contractor, Bush Hog® has the right tool for the job. All offer heavy-duty construction, with special features to make your job a little easier. And because they wear the Bush Hog® brand, you can rely on them to provide years of trouble-free performance. Trust Bush Hog® to help you get the job done right!

SBX BOX BLADES



The Bush Hog® SBX Series Box Blades are exceptional tools when the job requires grading, leveling or back filling. The scarifiers have three adjustable height positions and replaceable heat-treated tips for extended wear. Two 1/2 x 6-inch heat-treated, reversible and replaceable cutting edges smooth even the roughest ground. Rated for use on 2WD tractors up to 50 PTO horsepower and 4WD tractors up to 35 PTO horsepower, these box blades provide excellent value for the price.

SPECIFICATIONS

| MODEL | Width | No. of Scarifiers | Weight |
|-------|--------|-------------------|----------|
| SBX48 | 48 in. | 4 | 430 lbs. |
| SBX60 | 60 in. | 5 | 490 lbs. |
| SBX65 | 65 in. | 5 | 510 lbs. |
| SBX72 | 72 in. | 6 | 550 lbs. |
| SBX78 | 78 in. | 6 | 580 lbs. |
| SBX84 | 84 in. | 6 | 610 lbs. |

SPECIFICATIONS SUBJECT TO CHANGE WITHOUT NOTICE

MBX BOX BLADES

Bush Hog's MBX Series Medium Duty Box Blades are the ideal choice for use around the farm or by landscape contractors on the jobsite. These box blades are rated for use on 2WD tractors up to 65 PTO horsepower and 4WD tractors up to 55 PTO horsepower with a Cat. I or II 3-point hitch. They feature a heavy duty A-frame, heat-treated scarifier shanks, and a swinging tailgate to provide years of trouble-free performance. Whether you are grading driveways, cleaning out barns, or leveling a construction jobsite, these medium duty box blades are sure to meet your needs.



SPECIFICATIONS

| MODEL | Width | No. of Scarifiers | Weight |
|-------|--------|-------------------|----------|
| MBX60 | 60 in. | 5 | 580 lbs. |
| MBX72 | 72 in. | 6 | 640 lbs. |
| MBX84 | 84 in. | 6 | 710 lbs. |
| MBX96 | 96 in. | 6 | 790 lbs. |

SPECIFICATIONS SUBJECT TO CHANGE WITHOUT NOTICE

RO SERIES

ROLLOVER BOX BLADES

With the ability to perform three different functions, Bush Hog's Rollover Box Blade is one of the most versatile implements for landscapers. In the first position the heat-treated reversible cutting edge is ideal for grading the material. In the second position, backfilling can be easily accomplished. Finally, in the third position, heavy duty scarifier shanks give you plenty of ripping ability when breaking up compacted ground. What makes this tool more valuable is that all three positions can be changed from the tractor seat. These rollover box blades are rated for use on 2WD tractors up to 60 PTO horsepower and 4WD tractors up to 45 PTO horsepower.



SPECIFICATIONS

| MODEL | Width | Number of Scarifiers | Weight |
|--------|--------|----------------------|----------|
| RO-600 | 60 in. | 5 | 630 lbs. |
| RO-650 | 65 in. | 5 | 680 lbs. |
| RO-720 | 72 in. | 6 | 710 lbs. |

SPECIFICATIONS SUBJECT TO CHANGE WITHOUT NOTICE

RG SERIES
ROAD GRADER

Built To Last.



Potholes beware! Bush Hog®'s line of road graders smooth out your ride and return your dirt, gravel or slag roads to like-new condition. Designed with two offset and angled scraper blades within a boxed frame, these Bush Hog® road graders cut off material from the high spots in your road and deposit the material in the low lying areas, thereby leveling the surface. Our RG series road graders are available in 5', 6' and 7' operating widths and are designed for use on tractors up to 50 horsepower. When you encounter the toughest road conditions and even more material needs to be cut and moved to level the surface, scarifier shanks with replaceable hardened tips are available on each road grader to rip the soil up to depths of 2-3/8". In addition to maintaining existing roads, these road graders can be used in countless other applications such as road building, landscaping, building and maintaining baseball fields and horse arenas, to name a few. Let Bush Hog®'s road graders level out your work areas!

RG SERIES ROAD GRADER



Scarifiers can rip soil up to 2-3/8" deep.



Dual, replaceable and reversible 1/2" x 6" cutting edges.



Full length, replaceable skids.

ROAD GRADER SPECIFICATIONS

| Model Number | RG60 | RG72 | RG84 |
|------------------------------|---|------|------|
| Hitch | Cat. 1 Std and QH | | |
| Recommended HP, 2WD / (FWA) | 50 / (40) | | |
| Working Width | 60" | 72" | 84" |
| Weight (lbs.) | 500 | 571 | 642 |
| Side Panel Thickness | 3/16" | | |
| Front Main Beam Construction | 4" x 4" x 5/16" wall | | |
| Rear Beam Construction | 2-1/2" x 2-1/2" x 3/16" wall | | |
| Skid Shoe Construction | 3/8" x 2-1/2" x 46-3/4" long | | |
| Scarifier Shanks | Three position shanks with dimpled-on hardened tips | | |
| Number of Scarifier Shanks | 4 | 6 | 6 |
| Cutting Edges | Two 1/2" x 6" bolt-on, replaceable and reversible heat-treated blades | | |

Key Product Specifications:

- Cat. 1 hitch, quick hitch compatible
- Strong tubular steel frame construction
- Offered in 5', 6' and 7' working widths
- 13-3/4" side skirt depth for moving large volumes of loose material
- Three-position shanks with replaceable hardened tips
- Dual, replaceable and reversible 1/2" x 6" heat-treated cutting edges
- Full length, replaceable skids
- Available in tractor colors

HDRG SERIES
ROAD GRADER

Built To Last.



LANDSCAPE

The new Bush Hog® Heavy Duty Road Grader is available in 7-foot and 8-foot operating widths. The HDRG's heavy duty construction boasts a weight of up to 828-lbs., enabling it to tackle any grading job. The HDRG's design features all-welded construction, a max rating up to 90 HP, and two offset and angled scraper blades that are vertically adjustable. The vertical blade adjustment system provides the user the ability to adjust the cutting depth to compensate for blade wear and tear. Heat treated plow point scarifier shanks enable the HDRG to rip through most any earthen surface when grading driveways, fire lanes, and maintaining/building dirt or gravel roads.

HDRG SERIES ROAD GRADER



Four-position hardened steel shanks



HDRG84 Shown

Key Product Specifications

- Category I, II Quick Hitch Compatible
- All Welded Steel Frame Construction
- Cutting Edge Height Adjustment
- Recommended for up to 90 HP
- Four Position Adjustable Scarifier Shanks
- Dual Replaceable and Reversible Heat-treated Cutting Edges
- Available in Tractor Colors

SPECIFICATIONS

| Models | HDRG84 | HDRG96 |
|----------------------------|--|---------------------|
| Hitch | 3-Pt. Cat I & II QH | 3-Pt. Cat I & II QH |
| Recommended HP | 90 (2WD), 70 (4WD) | 90 (2WD), 70 (4WD) |
| Working Width | 84-inches | 96-inches |
| Side Panel Thickness | 3/16-inch | 3/16-inch |
| Front Main Beam | 4-inches x 4-inches x 3/8-inch | |
| Rear Beam Construction | 4-inches x 4-inches x 1/4-inch | |
| Skid Shoe Construction | 1/2-inch x 2 1/2-inches | |
| Scarifier Shanks | Four Position Shanks with Hardened Tips | |
| Number of Scarifier Shanks | 6 | 8 |
| Cutting Edges | 1/2-inch x 6-inches Bolt on Replaceable & Reversible Heat Treated Blades | |

LLR & MLR SERIES
LANDSCAPE RAKES

Built To Last.

Bush Hog®'s line of landscape rakes are the perfect tools for removing debris or giving an area that “groomed look.” Perfect for jobs ranging from brush removal to grooming horse arenas, this tool is available in both a light duty model for tractors up to 30 PTO HP and a medium duty model for tractors up to 50 PTO HP. One-inch spacing between the heat-treated tines allows you to easily remove sticks, small rocks and other unwanted material. An optional gauge wheel is available for both models and the medium duty model offers a ratchet or hydraulic cylinder option to control angle adjustment. All units feature 360° pivot ability with angle adjustment of the rake, and a king pin size of 1-1/4 inches. With a Category I hitch, and in sizes from 60 to 96-inch widths, there is sure to be a Bush Hog® Landscape Rake to match your requirements.



LANDSCAPE

SPECIFICATIONS

| MODEL | Width | Weight | MODEL | Width | Weight |
|-------|--------|----------|-------|--------|----------|
| LLR60 | 60 in. | 205 lbs. | MLR72 | 72 in. | 325 lbs. |
| LLR72 | 72 in. | 225 lbs. | MLR84 | 84 in. | 345 lbs. |
| LLR84 | 84 in. | 245 lbs. | MLR96 | 96 in. | 365 lbs. |

SPECIFICATIONS SUBJECT TO CHANGE WITHOUT NOTICE



PVB & PVS SERIES PULVERIZERS

After the heavy material has been removed, a Bush Hog® Pulverizer becomes the perfect tool to prepare a seedbed. The steel shanks break up compacted soil, while the heavy roller pulverizes large clumps and prepares the area for seeding. This tool is ideal for the professional landscaper/contractor who requires clean, level ground in one pass. Available in 60, 72 and 84 inch widths, with one or two rollers and featuring a Category I hitch, there is sure to be a Bush Hog® Pulverizer to match your requirements.



SPECIFICATIONS

| MODEL | Width | No. of Rollers | Weight |
|----------------------------------|--------|----------------|----------|
| PVB-600 PVS-600 | 60 in. | 1 | 530 lbs. |
| PVB-602 PVS-602 | 60 in. | 2 | 640 lbs. |
| PVB-660 PVS-660 | 66 in. | 1 | 560 lbs. |
| PVB-662 PVS-662 | 66 in. | 2 | 680 lbs. |
| PVB-720 PVS-720 | 72 in. | 1 | 590 lbs. |
| PVB-722 PVS-722 | 72 in. | 2 | 720 lbs. |
| PVB-840 PVS-840 | 84 in. | 1 | 650 lbs. |
| PVB-842 PVS-842 | 84 in. | 2 | 790 lbs. |

SPECIFICATIONS SUBJECT TO CHANGE WITHOUT NOTICE

PVB = Bar Shanks

PVS = Spike Shanks

PG & MPG SERIES PLUGGERS

Built To Last.

The Bush Hog® Pluggers are literally designed to get to “the root of the problem.” The 3/4-inch spoons provide excellent soil penetration, allowing nutrients and air to reach the turf’s root system. A 1-1/4 inch diameter shaft with greasable sleeves supports the independent hubs. The frame is designed as a weight box so that additional weight may be added to increase down pressure when the soil is heavily compacted. All models are rated for tractors up to 60 PTO HP with a Category I three point hitch. Optional slicing knives are also available.



You get consistent plugs up to 3/4-inch to promote root growth.

SPECIFICATIONS

| MODEL | Width | Hubs | Weight |
|---------|--------|------|----------|
| PG-600 | 60 in. | 8 | 350 lbs. |
| PG-720 | 72 in. | 10 | 390 lbs. |
| MPG-600 | 60 in. | 10 | 460 lbs. |
| MPG-720 | 72 in. | 12 | 500 lbs. |



SPECIFICATIONS SUBJECT TO CHANGE WITHOUT NOTICE

LANDSCAPE

SD, SS & SP SERIES SPEED SEEDERS



SPEED DRILL

Designed with versatility in mind, the Speed Drill utilizes a unique Seed Metering System that makes the Speed Drill capable of handling a wide variety of seed types, all with the same seed box.

USES

- Pasture Renovation
- Large Food Plots
- Row Crops

FEATURES

- 16" straight coulters slice the ground, followed by 14" concave openers to form a seedbed trench.
- A 3-speed transmission and precise adjustment of the seed metering slots allow a wide range of seed rates.
- The gear box is easily accessible for quick changes.
- A full row of heavy-duty cultipacker wheels follow up to ensure premium seed-to-soil contact.

| MODEL | DESCRIPTION | WIDTH | ROW SPACING | #OF ROWS | WEIGHT | HOPPER CAPACITY |
|-------|--------------------------------|-------|-------------|----------|-----------|-----------------|
| SD72 | No-Till Drill; 3-Pt. Cat. I/II | 6' | 8" | 9 | 1385 lbs. | 4.4 Bushels |
| SD96 | No-Till Drill; 3-Pt. Cat. I/II | 8' | 8" | 12 | 1855 lbs. | 7.7 Bushels |

SPEED SLICE

The Speed Slice offers precision seed placement and optimum seed-to-soil contact, ensuring excellent germination in existing stands of grass or new turf applications. It is designed to allow you to easily vary the width of the seed groove by adjusting the disc angle.

USES

- Pasture Overseeding
- Landscape of Sports Turf
- Golf Courses
- Waterways or Roadside Seeding
- New Construction
- Food Plots
- Mine Reclamation

FEATURES

- The close-spaced disc blades are on an adjustable gang; adding angles to the blades works to break up the existing root base.
- Solid stand planting for tighter germination.



| MODEL | DESCRIPTION | WIDTH | DISC SPACING | WEIGHT | HOPPER CAPACITY |
|-------|--------------------------------------|-------|--------------|-----------|-----------------|
| SS48 | Solid Stand Scatter; 3-Pt. Cat. I/II | 4' | 4" | 960 lbs. | 2.5 Bushels |
| SS72 | Solid Stand Scatter; 3-Pt. Cat. I/II | 6' | 4" | 1480 lbs. | 4.4 Bushels |

LANDSCAPE



SPEED PLOTTER

If you take your food plots seriously, then you need serious equipment. The Bush Hog® Speed Plotter offers quality and value in the most versatile implement of its kind. You can use it as a broadcast seeder for planting grasses, or as a no-till drill for planting row crops such as corn or beans. And you can switch between broadcast or drilling in a matter of minutes!

FEATURES

- Plants virtually any seed
- Scatters seed grasses for tight germination and a uniform stand.
- Drills row crop seeds such as corn or beans.
- All of the ground-engaging components are rolling—No shanks to drag trash.



| MODEL | DESCRIPTION | WIDTH | ROW SPACING | #OF ROWS | WEIGHT | HOPPER CAPACITY |
|-------|------------------------------------|-------|-------------|----------|-----------|-----------------|
| SP48P | Food Plot Machine; ATV Pull Type | 4' | 10" | 4 | 740 lbs. | 2.5 Bushels |
| SP48L | Food Plot Machine; 3-Pt. Cat. I/II | 4' | 10" | 4 | 660 lbs. | 2.5 Bushels |
| SP72L | Food Plot Machine; 3-Pt. Cat. I/II | 6' | 8" | 9 | 1040 lbs. | 4.4 Bushels |

FSP SERIES **SPREADER**

LANDSCAPE



The Bush Hog® three point hitch fertilizer spreaders have bottom opening gates for accurate flow rates. Variable gate position openings and fine adjustments ensure material drops on different positions of the spinning disc. This produces a center, right and left pattern. The polyethylene hopper offers long lasting protection from the deteriorating effects of fertilizer. For further resistance to deterioration, the distribution fins are electroplated and the paint is powder coat for hardness and durability. The FSP models can also be used to distribute seeds. The FSP-500 has a weight capacity of 500 lbs, and the FSP-800 has a weight capacity of 800 lbs.

COMPACT IMPLEMENTS**3-POINT SUBSOILER, LAYOFF PLOW & CULTIVATOR****Built To Last.****SS1 3-PT Standard Duty Subsoiler**

The new 3-point standard duty subsoiler from Bush Hog® is the right tool for you when breaking up a hardpan developed over years of use. This subsoiler is available with a single shank equipped with a replaceable tip capable of ripping the soil a depth of 19 inches. The beveled edge of the high carbon steel shank, combined with a heat-treated replaceable plow point, allows you to cut through the soil with minimal ground disturbance; shear pin protection is provided. The SS1 is designed for 25-45 HP tractors with Cat I Standard and Quick Hitch.

**LP Layoff Plow**

Once a field has been broken and disked, the Bush Hog® LP Layoff Plow is used to make rows where crops are planted. The LP has a single, wide prong with a replaceable tip used to lay off and create a bed where you can plant your crops. After the rows are made, the planting can begin. In addition, the Bush Hog® LP Layoff Plow can be used for digging root type vegetables such as potatoes. The layoff plow is designed for 25-45 HP tractors with Cat I Standard and Quick Hitch.



SS, LP, 1RCV SERIES

COMPACT IMPLEMENTS

3-POINT SUBSOILER, LAYOFF PLOW & CULTIVATOR



1RVC Cultivator

The Bush Hog® 1RVC Cultivator is ideal for aerating, stirring and pulverizing the soil to remove weeds, prepare the ground before planting, or loosen the soil after the crop has begun to grow. The 1RVC has 6 shanks with replaceable tips and is designed for 25-45 HP tractors with Cat I Standard and Quick Hitch. The 1RVC has mounting holes in place for seed planters made by Covington® or Cole. This feature allows for reduced trips over the field and makes the implement even more valuable to you.

COMPACT IMPLEMENTS SPECIFICATIONS

| Model | SS1 | LP | 1RCV |
|-------------------|---------------------------------|---------------------------------|---------------------------------|
| Description | Subsoiler | Layoff Plow | Cultivator |
| Hitch | Cat. I Standard and Quick Hitch | Cat. I Standard and Quick Hitch | Cat. I Standard and Quick Hitch |
| Overall width | 32 3/8" | 32 3/8" | 57 7/8" |
| Overall height | 50" | 38" | 41 3/16" |
| Engine Horsepower | 25-45 | 25-45 | 25-45 |
| Weight (lbs.) | 113 | 75 | 171 |
| Shank size | 3/4" x 6" | 3/4" x 4" | 3/8" x 1 3/4" |
| Number of Shanks | 1 | 1 | 6 |
| Cutting Point | 1/2" x 2 1/2" x 12" | 16" x 4.75mm | 1/4" x 2 1/2" x 11 |

AVAILABLE IN MAJOR TRACTOR COLORS

RT SERIES

ROTARY TILLERS

CHOICE OF 2 SERIES TILLERS, GEAR OR CHAIN DRIVEN.

Built To Last.

RTH SERIES ROTARY TILLERS

80 and 88-inch tilling widths
for 60-80 PTO HP tractors



RTH ROTARY TILLER FEATURES:

- Rugged construction
- Heavy-duty gearboxes
- Direct gear drive
- Replaceable skids
- Shielded drivelines

RTG SERIES ROTARY TILLERS

59, 70 1/2, and 82 1/2-inch tilling widths
for 25-65 PTO HP tractors



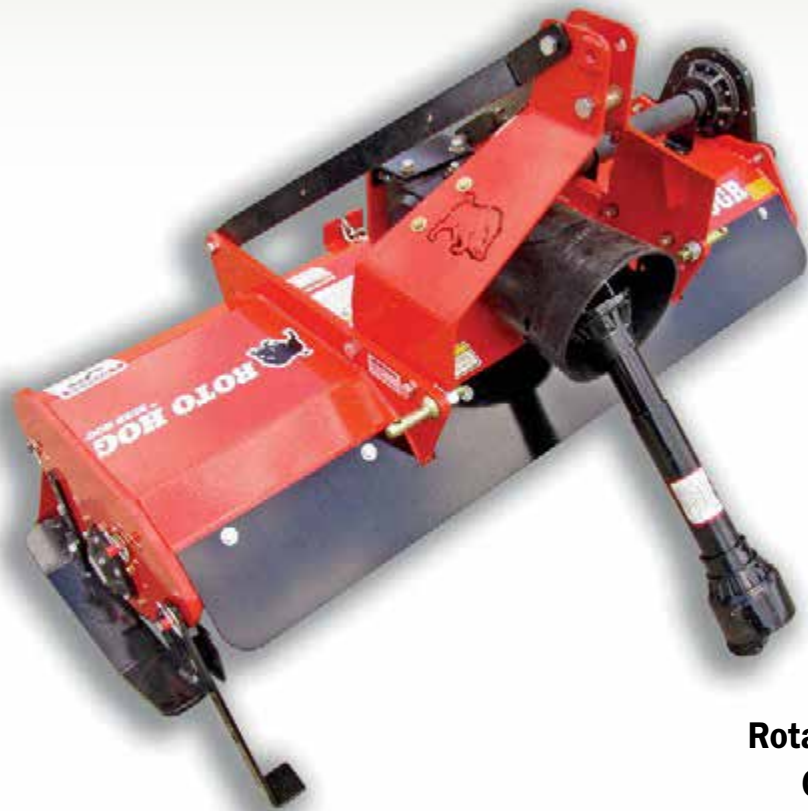
RTG ROTARY TILLER FEATURES:

- Rugged construction
- Heavy-duty gearboxes
- Direct gear drive
- Replaceable skids
- Shielded drivelines

RT SERIES

ROTARY TILLERS

CHOICE OF 2 SERIES TILLERS, GEAR OR CHAIN DRIVEN.



Gear drive with oil bath in side gearbox is more durable than a chain drive that will wear and could break.



RT60GR
Rotary Tiller, 60-inches Model,
Gear Drive, Reverse Till

SPECIFICATIONS

| SERIES | RTH | RTG |
|-----------------------------|---|---|
| Tilling Width | 80 and 88 inches | 59, 70 1/2, 82 1/2-inches |
| Tractor PTO HP Requirements | 60 – 80 | 25 – 65 |
| Hitch | Category I & II, 3-Point | Category I & II, Standard & Quick Hitch |
| Blades | C-Type | |
| Number of Blades | 36, 40, 44 | 42, 54, 66 |
| Rotor Speed | 213 RPM/540 PTO | 211 RPM/540 PTO |
| Power to Rotor Transmission | Gear Drive Single Speed | |
| # of Flanges on Rotor | 9, 10, 11 | 7, 9, 11 |
| Offset Capability | 12" Fixed Offset on 60" Model | |
| *Depth of Cut | Adjustable to 7" maximum with skid shoe | |
| Driveline Protection | Slip Clutch | |
| Weight Range | 884 to 964 lbs. | 673 to 831-lbs. |

* May require additional passes depending upon soil type

SPECIFICATIONS SUBJECT TO CHANGE WITHOUT NOTICE

TILLAGE

D SERIES

LIFT DISC HARROWS

3 MODELS FROM 60 TO 118" WIDTH

Built To Last.

1D Series



2D Series



3D Series



TILLAGE

D SERIES

LIFT DISC HARROWS

3 MODELS FROM 60 TO 118" WIDTH



Bearing hangers reinforced with gussets



Easy-to-grasp handle for simple gang adjustment



Notched discs for maximum cutting action

Key Product Specifications:

- Square and rectangle tube steel frames and gang tubes
- Adjustable gang angles, front and rear, using an easy-to-grasp handle
- Cat 1 standard and quick hitch on the 1D and 2D series, along with Cat 1 and 2 standard and quick hitch on the 3D series
- Variable Blade Spacings Available:
 - 9" front and rear gangs for tough-to-cut "New Ground"
 - 7 1/2" front and rear gangs for finer soil finishing
- 9" front gangs/7 1/2" rear gangs—the best of both worlds
- Self-aligning, sealed ball bearings
- Notched disc blades for maximum cutting action
- 1" square, high carbon steel gang axle on the 1D and 2D series, with a 1 1/8" square, high carbon steel gang axle used on the 3D series
- Available in tractor colors
- Optional disc scrapers

LIFT DISC HARROW SPECIFICATIONS

| Description | 1D60 | 1D78 | 2D78 | 2D96 | 3D96 | 3D118 |
|-----------------------------------|---|-------|------------|-------|----------------------------------|-------|
| Drawbar horsepower requirement | 35 hp | | 65 hp | | 95 hp | |
| Hitch type | Cat. 1 Std and QH | | | | | |
| Max. cultivation width | 60" | 78" | 78" | 96" | 96" | 118" |
| Approx weight load on each blade | 35-38 | 30-32 | 39-43 | 39-41 | 53-59 | 52-57 |
| Disc blade sizes Notched | 16" OR 18" | | 18" OR 20" | | 20" OR 22" | |
| Disc blade spacing | 9" Front, 7 1/2" Rear or 9" Front/Rear or 7 1/2" Front/Rear | | | | | |
| Disc bearing type | Self-aligning, sealed ball bearings | | | | | |
| Number of bearings | 2 PER GANG | | | | | |
| Forward gang angle adjustment | Front Gangs – 0, 7, 14, 21 degrees | | | | | |
| Rear gang angle adjustment | Rear Gangs – 7, 14, 21 degrees | | | | | |
| Mainframe front tube construction | 2" square tubing | | | | | |
| Gang arm construction | 3" x 1 1/2" tubing | | | | | |
| Gang axles | 1" square, high carbon steel | | | | 1 1/8" square, high carbon steel | |
| Disc scrapers | Optional | | | | | |

DHP SERIES

PULL DISC HARROWS

8, 10 AND 12' WIDTHS

Built To Last.



Bush Hog®'s new Pull Disc Harrows, the DHP Series, are designed for pulverizing soil, seed bed preparation and general tillage. Solid built units available in widths of 8', 10' and 12', the DHP line of disc harrows are ideally suited for use by small farmers, food plot managers, ranchers, construction crews and nursery operators.

The DHP Series units share many features available on larger, more expensive models, including front-to-rear leveling, a depth control system, adjustable-gang angles, and streamlined tubular gang hangers.

Multiple blade spacing options are available with your DHP Series Pull Disc harrows. Blade spacings of 7-1/2" allow for fine, finish discing needed for seedbed preparation or 9 inches for breaking up and fracturing "new ground" or a combination of the two. Six multiple blade spacing options for each model are available with your DHP Series Pull Disc Harrows; 20" or 22" notched discs at each of following spacing options: 7.5" front & rear, 9" front & rear, 9" front and 7.5" rear. High strength 1-1/8" square gang axles, combined with tough gang components, and triple lip sealed ball bearings, ensure the DHP models are ready for the toughest jobs. Put a Bush Hog® DHP disc harrow to work for you today.

PULL DISC HARROWS**8, 10 AND 12' WIDTHS****PULL DISC HARROWS SPECIFICATIONS**

| Model | DHP8 | DHP10 | DHP12 |
|--|---|-----------|-----------|
| Drawbar horsepower requirement | 40-65 hp | 45-100 hp | 55-100 hp |
| Hitch type | Pull-type w/clevis & hole for 1 1/4" pin | | |
| Approximate transport width | 8'-10" | 10'-10" | 12'-4" |
| Max. cultivation width | 8'-6" | 10'-6" | 12' |
| Mainframe width | 60" | 93 1/2" | 93 1/2" |
| Approx weight load on each blade (lbs.) | 95-114 | 84-98 | 78-90 |
| Disc blade sizes and types | 20" or 22" Notched | | |
| Disc blade spacing | 7.5" or 9" or a combination of both | | |
| Disc bearing type | Triple lip sealed ball bearings | | |
| Number of bearings | 8 | 12 | 12 |
| Forward gang angle adjustment | 15, 16.5, 18, 19.5, 21 Degrees | | |
| Rear gang angle adjustment | 12, 13.5, 15, 16.5, 18 Degrees | | |
| Hitch frame construction | 4" x 4" x 1/4" tubing | | |
| Slide mainframe construction | 4" x 3" x 1/4" tubing | | |
| Mainframe front & rear tube construction | 5" x 3" x 1/4" tubing | | |
| Mainframe middle tube construction | 4" x 3" x 1/4" tubing | | |
| Gang arm construction | 4" x 3" x 1/4" tubing | | |
| Gang axles | 1 1/8" Square, High Carbon Steel | | |
| Front to rear leveling system | Manual crank adjustment | | |
| Depth control | Cylinder stroke control spacers | | |
| Hydraulic cylinder | 3- 1/2" x 8" ASAE hydraulic cylinder | | |
| Transport tires and wheels | Two 9.5L x 15 tires on 15" x 6" - 5 bolt wheels | | |
| Parking jack | Standard | | |
| Options | Disc Scrapers, Center Sweep Kit, Dual Wheel Transport Kit | | |

APP SERIES

ALL PURPOSE PLOW

3, 5, 7 AND 9-SHANK MODELS

Built To Last.



A simple tool to do serious work...

Bush Hog's new line of All Purpose Plows help you tackle a wide range of ground breaking tasks. These field cultivators break up, cultivate and aerate the ground in agricultural fields, food plots, gardens or anywhere you need to get something growing. Spring loaded, auto-reset shanks allow you to go where other tools cannot... stumps, rocks and other obstacles will not keep you from breaking up "new" ground or reclaiming "old" ground. With 3, 5, 7 and 9-shank models available, Bush Hog® has an All Purpose Plow to meet your ground breaking needs.

APP SERIES

ALL PURPOSE PLOW

3, 5, 7 AND 9-SHANK MODELS



Spring loaded, auto-reset shanks protect the implement when obstacles such as rocks, stumps or roots are encountered in rough ground.



Heat treated shanks with replaceable points; points are 1080 high carbon steel hardened to 38-44 Rockwell C.



Easily adjustable shank spacing in 1" increments; heavy gauge 2 1/2" x 2 1/2" x 3/8" angle iron frame.

SPECIFICATIONS

| Models | APP48-3 | APP60-5 | APP66-5 | APP66-7 | APP85-7 | APP85-9 |
|--|---|---------|---------|---------|---------|---------|
| Over All Width | 49 5/8" | 61 5/8" | 67 5/8" | 67 5/8" | 85 5/8" | 85 5/8" |
| Maximum Working Width | 44" | 56" | 62" | 62" | 80" | 80" |
| Overall Depth | 39 3/4" | 39 3/4" | 39 3/4" | 39 3/4" | 39 3/4" | 39 3/4" |
| Overall Height | 40 3/8" | 40 3/8" | 40 3/8" | 40 3/8" | 40 3/8" | 40 3/8" |
| Weight (lbs) | 206 | 228 | 284 | 367 | 386 | 455 |
| # of Shanks | 3 | 5 | 5 | 7 | 7 | 9 |
| Angle Iron Size (width x height x thickness) | 2 1/2" x 2 1/2" x 3/8" | | | | | |
| Hole Spacing | 1" | | | | | |
| Hitch | Cat. 1 Std and QH | | | | | |
| Teeth | 5/16" x 2" x 10 1/8" 1080 HIGH CARBON 38-44 ROCKWELL C REVERSIBLE | | | | | |
| Suggested Min. PTO HP | 24 | 35 | 35 | 49 | 49 | 63 |

TILLAGE

HDSS SERIES

HEAVY DUTY SUBSOILERS

1 OR 2 SHANK MODELS

Built To Last.



The new 3-point heavy duty subsoilers from Bush Hog® are the right tool for you when breaking up a hardpan developed over years of heavy use. Compacted soil can hurt you in two ways: plant roots cannot penetrate into the lower levels of the soil to tap additional nutrients and, in wet conditions, the excess water cannot drain away... both effects weaken your plants and reduce your yields. The new HDSS model subsoilers from Bush Hog® are available in four configurations, single or double shank with either short or long shank, capable of ripping the soil to depths ranging from 19 inches to 23 inches depending on the shank length. In certain areas, these subsoilers can be used to install water lines at depths suitable to get below the frost line. The beveled edge of the high carbon steel shank, combined with a heat-treated replaceable plow point, allow you to cut through the soil with minimal ground disturbance; shear pin protection is provided. When you need to go deep...the Bush Hog® HDSS subsoilers get the job done for you. Nothing beats a Bush Hog®!

HDSS SERIES

HEAVY DUTY SUBSOILERS

1 OR 2 SHANK MODELS

HEAVY DUTY SUBSOILERS SPECIFICATIONS

| Model | HDSS1S | HDSS1L | HDSS2S | HDSS2L |
|-------------------------|--|--------------------------------------|---------------------------------------|--------------------------------------|
| Description | Subsoiler Heavy Duty 1 Shank Short | Subsoiler Heavy Duty 1 Shank Long | Subsoiler Heavy Duty 2 Shank Short | Subsoiler Heavy Duty 2 Shank Long |
| Hitch | Cat. 1/2 Quick Hitch | | | |
| Overall width | 41" | | 49" | |
| Overall height | 39 1/2" | 43 1/2" | 39 1/2" | 43 1/2" |
| Max Depth | 19" | | 23" | |
| Horsepower | Approximately 35 hp per shank up to 85 hp | | | |
| Weight | 261 | 276 | 420 | 450 |
| Shank size | 1 1/4" x 9 7/16" x 26 1/8" | | | |
| Number of Shanks | 1 | | 2 | |
| Cutting Point | 1" x 2 1/2" x 9 3/8", Replaceable, Bolted On | | | |



Replaceable Heat-Treated
Cutting Tip



Beveled Shanks Promote
Easier Ground Penetration



Parking Stands are Standard

Available in Major Tractor Colors

PA SERIES
PASTURE AERATORS

Built To Last.



The PA series pasture aerators from Bush Hog® are designed for use anywhere soil compaction exists. Available in eight foot or ten foot models, the PA series units are equipped with twisted shanks that serve both to lift and fracture compacted soil. This dual action design improves the intake of water and nutrients and creates improved soil growing conditions. The PA series aerators are ideal for a wide range of potential users including hay producers, cattlemen, sod farmers and landscapers. Give the PA series aerators a chance to make a difference in your soil's potential today!

TILLAGE

PA SERIES PASTURE AERATORS

SPECIFICATIONS

| MODEL | PA8 | PA10 |
|---|--|---------------|
| Tractor Horsepower Requirements | 40 to 90 HP | |
| Working Width | 86" | 116" |
| Overall Width | 97.38" | 127.63" |
| Overall Length | 136" in transportation position | |
| Overall Height (with tines on the ground) | 44.25" | |
| Weight (lbs) [approximate] | 1950 | 2500 |
| Max. Ballast in Weight Box (lbs) **(Weight Box Included)** (Weights/Ballast NOT included) | 2200-lbs. | 2900-lbs. |
| Number of Tines | 24 LH & 24 RH | 32 LH & 32 RH |
| Tine Material | Forged & heat treated through steel | |
| Tine Hub Spacing | 7.5" | |
| Tine Penetration | Up to 8.125" depending on ground condition | |
| Frame Construction | 4" square tubing; all welded construction | |
| Main Tongue Beam | 4" square | |
| Rotor/Tine Support Hangers | 1" x 7" heavy duty hangers | |
| Rotor Bearings | Heavy duty greaseable bearings | |
| Rotor Bearing Protection | .38" x 3.5" metal housing | |
| Rotor Angle Adjustment | 2.5°, 5°, 7.5° | |
| Tires & Wheels | 9.5L x 15 tires on 15" - 5 bolt wheels | |
| Tine Depth Control | Add cylinder donuts to cylinder rod (included) | |
| Hydraulic Cylinder | 3.5" x 8" | |
| Transportation Lock | Manual cylinder lock | |
| Rear Axle Pivot | Greaseable | |

* Safety Tow Chain Included

* Available in major tractor colors



Angled rotor adjustment from 2.5° to 7.5° allows the user to achieve even more soil fracturing as the gangs are offset



Heavy duty bearing hangers support the twisted shank rotors



Built-in weight box to ensure maximum soil penetration (weights not included)

Nothing beats a



BUSH HOG®

Made
BUSH
HOG
TOUGH
in Selma Alabama



2501 Griffin Ave.
Selma, Alabama 36703
Tel: (800) 363-6096
Fax: (334) 874-2701

bushhog.com